



Telephone:
+86-318-2321110

Mobile: +86-19133858816 (WhatsApp & WeChat)

E-Mail: Info@dmejde.com

Web: www.jidier.com(Local Market) www.dmejde.com(Global Market)

DME&JDE Group Headquarters:
1705, Special Business Zone, 211 Youhao Road, Zhongshan District, Dalian, Liaoning, China.

DME&JDE Hydraulic fluid connector production base:
DME INDUSTRIES CO., LTD
Qiaodong Village, Paotai Town, Puwan New District, Dalian, Liaoning, China.

DME&JDE Hydraulic fluid hose production base:
HENGSUI JIDIERSPECIAL RUBBER HOSE CO., LTD.
Qian Me Tou Economic Industrial Zone, Hengshui, Hebei, China.

DME&JDE Hydraulic fluid assembly production base:
DME&JDE FLUID CO., LTD.
Qian Me Tou Economic Industrial Zone, Hengshui, Hebei, China.

DME&JDE FLUID CO.,LTD:
A-1008 huizhong Plaza Business, Hengshui City,
Hebei Province, China.



Global Market



Wechat Public Account

CERTIFICATE



DME&JDE FLUID CONNECTOR CATALOGUE



FLUID CONNECTORS & SOLUTIONS

Powered by DME&JDE Group

HYDRAULIC CONNECTORS

HYDRAULIC FLEXIBLE HOSE

HYDRAULIC SYSTEM SOLUTION



CONTENTS

01

Corporate.....	01
Honor&Certificate.....	04
Global Business.....	05
MS System.....	07
Product Selection.....	09
Hydraulic Adaptors.....	11
Code System.....	13

02

Fluid Connector

Hydraulic Adaptors.....	15
Hydraulic Flange & Adaptors.....	739
Hose Fittings.....	781

03

Image & Video Gallery.....	927
Become A distributor.....	931



DME & JDE GROUP
YOUR CONNECTORS & HOSES OEM SOLUTIONS



MAKE FLUID TRANSMISSION EFFICIENT

DME&JDE is committed to design, manufacture and support fluid transmission solutions. We insist on application-orientation to solve all problems during transmission. Advanced Production technology, wide ranges of flexible hoses, fluid connectors and rich export and projects experience guarantee our capacity to design right OEM fluid solutions for all transmission difficulty.

DME&JDE continuously expands our product ranges and value-added service and improve technologies and equipment to supply products outperform industry standards and exceed customers' demanding expectations.



Hydraulic Hose & Connector Stocks



60,000,000

More than 60,000,000 worth of inventory of fluid connectors support massive storage system

200 Million

Annual Sales

More than 200,000,000 annual sales evidence corporate strength and establish higher goals

Professional Engineers

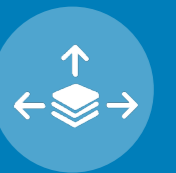


20

Professional and senior engineers solve all technical technological difficulties and customers problems

Exclusive Distributor

100+



More than 100 exclusive distributors (including those under negotiation) cover all global markets

Industry Covering

200+



More than 200 kinds of customers cover main host manufacture and maintenance industries

Hoses Monthly Output

1,000,000

Up to 1,000,000 flexible hoses monthly output satisfy large orders and guarantee timely delivery

Headquarters



FLUID CONNECTORS & SOLUTIONS
Powered by DME&JDE Group

Fluid Connection Division
DME INDUSTRIES CO., LTD
Dalian, China

DME was established in 1993. Fluid connectors are manufactured by standard automation equipment and in accordance to SAE, ISO, BSI and DIN standards and fittings are of JIC, BSP, ORFS and Bite type.

DME is the main supplier of main vendors in Europe and America.

Fluid Connection



FLEXIBLE HOSE & FLUID SOLUTIONS
Powered by DME&JDE Group

Fluid Hose Division
HENGSHUI JIDIER SPECIAL RUBBER HOSE CO., LTD.
Hengshui, China

JDE, founded in 2009, is dedicated to hydraulic hoses, industrial hoses and other industrial hoses manufacturing.

JDE adopts German, American and Italian advanced equipment, all products line exceed I SAE J517, DIN/EN853, EN854, EN857, ISO, GB and other industries requirements.

Fluid Hose



YOUR FLUID OEM SOLUTIONS
Powered by DME&JDE Group

Fluid OEM Solution Division
DME&JDE FLUID CO., LTD.
Hengshui, China

DME&JDE FLUID CO., LTD. is established in 2021. We aims to design hydraulic fluid solutions, provide long-lasting and stable motivation for all industries and guarantee our dealers and end users far away from hydraulic transport accidents, unplanned shutdown and other issues.

Fluid OEM Solution

HONOR & CERTIFICATE



ISO ISO 9001
Fluid connector

ISO ISO 9001
Flexible Hose

ISO ISO 14001

ISO ISO 45001



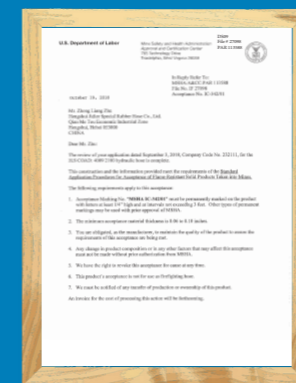
GOST Certificate



BV Certificate



IATF Certificate



MSHA Certificate



MA Certificate



GLOBAL BUSINESS

DME&JDE Worldwide (Ranked by A-Z)

Bolivia | Brazil | Canada | Chile | China | Costa Rica | Dubai | Ecuador | France | Ghana | Hungary | Indonesia | Ireland | Israel | Italy | Japan | Mongolia | Myanmar | Peru | Poland | Romania | Russia | Serbia | Seychelles | South Africa | South Korea | Spain | Turkey | United Kingdom | United States | Vietnam



MS SYSTEM

Each Product of DME&JDE uniquely encoded tracking label to supply strong data support, products traceability and order transparency. And it can effectively reducing equipment downtime and avoid of quality problems.



DME&JDE Product Quality Control Traceability System Services for Global Customers



DME&JDE Product Quality
Control Traceability & ERP System / Services for Global Customers

PRODUCT SELECTION

DME&JDE fluid connectors, (including adaptors, hose fittings and flanges) are designed for reliable and effective connections and a tailored fit to your DME&JDE hydraulic (or industrial) hoses and assemblies. Now, we have developed and manufactured thousands of product ranges of fluid connectors to keep your fluid power transfer smooth and efficient and reduce downtime. We aim to supply fluid connectors to connect and sealing all ports and equipment.



Hydraulic Adaptors

An adaptor allows you to connect your hose of one size to a port, hose or fitting of a different size. And it can help to change your transfer line.



Hydraulic Flange & Adaptor

Flange connections generally are used with tubing that has an O.D. greater than 7/8" or for applications involving extremely high pressures.



Hose Fittings

Full ranges of crimping hose fittings and removable fittings can perfectly compatible with your current flexible hoses and hose assemblies.





Hydraulic Adaptors

Hydraulic adaptors are fittings with connection threads on two or more sides. Hydraulic adaptor is mainly used for following applications: change thread types to another. Be used at a port connection, simplify orientation and accommodate several lines. DME&JDE offers large range of adaptors, which includes a wide variety of sizes, end styles, thread, and connection types.

Our adaptors cover an extensive range which includes:

BSP, NPT & NPSM, JIC, METRIC, ORFS, SAE Threads.



Changing thread type to another

This is the common use in an in-line connection from a port connection. And it makes hoses more adaptable and with a wider application.



Port Connection

Using at a port connection where a straight hose fitting will be connected

- Eliminates stress on both port and looks more streamlined.



Simplifying orientation

Instead of using two bent tubes, it's easier to use a bent tube flange adapter. It's also faster and easier to make and install hose assemblies.



Accommodating several lines.

A "Tee" or "Cross" adapter is used to accommodate several lines, such as connecting two hose assemblies into a common port.



Straight



45° Elbow



90° Elbow



Tee



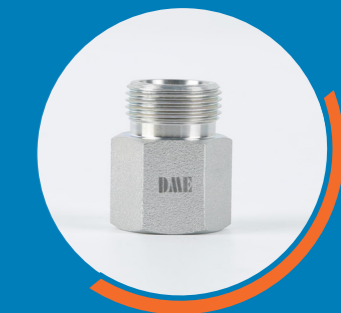
Cross



Adaptor With O Ring



Adaptor With Flange



Male Plug

CODE SYSTEM

e.g. DAJCM L28F-0404

D

Brand

A

Product Range

JC

JIC

M

Male

L

Run Tee

28

NPTF

F

Female

0404

-

Thread Types	
Code	Description
BP	BSPP
BT	BSPT
JC	JIC
UN	SAE
NP	NPTF
NPS	NPSM
OF5	ORFS
JSB	JIS BSPP
JSM	JIS Metric
M	Metric
JCM	74° Cone Metric

Thread Types	
Code	Description
M	Male
F	Female
1	Swivel Female

Adaptor Structure	
Code	Description
1	Straight
4	45° Elbow
9	90° Elbow
T	Branch Tee
L	Run Tee
X	Cross

Thread Types	
Code	Description
05	BSPP
061	BSPP + Retaining Ring
07	BSPT
081	BSPP Swivel
28	NPTF
30	SAE
25	JIC
251	JIC Swivel
24	ORFS
241	ORFS Swivel
52	Metric
521	Metric + ED Ring
52J	JIS Metric
071	Metric Swivel
091	NPS Swivel
041	BSP Swivel

Connection Type	
Code	Description
M	Male
F	Female
5	O ring
Q	O Ring + Retaining Ring
T	Bulkhead
S	Butt Welding
B	Socket Welding
J	Long Type + O Ring
Y	Long Type + O Ring + Retaining Ring

Data Code	
Code	Description
For Straight Adaptor	XXXX-0406, ① 04 ② 06
	XXXX-0406, ① 04 ② 06
For Tee	XXXX-040608, ① 04 ② 06 ③ 08
	XXXX-0406, ① ② 04 ③ 06

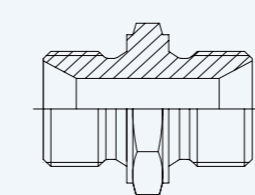
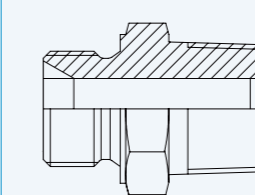
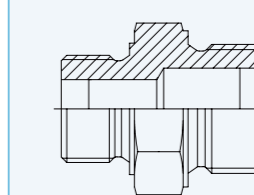
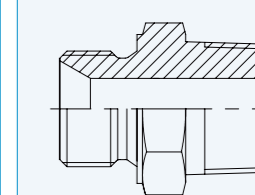
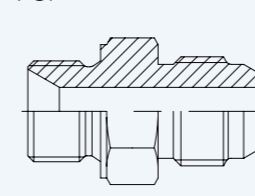
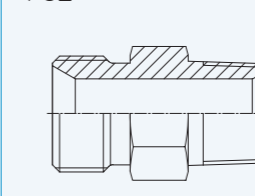
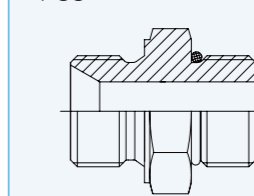
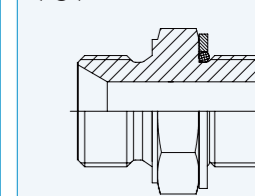
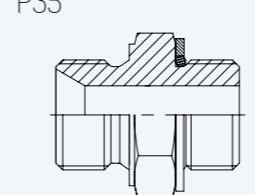
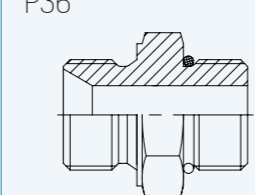
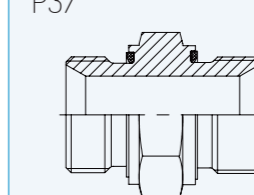
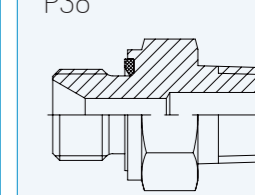
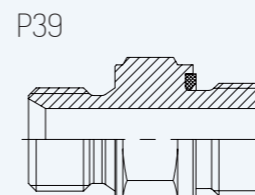
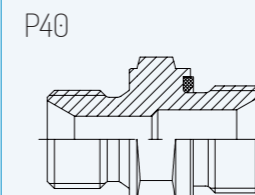
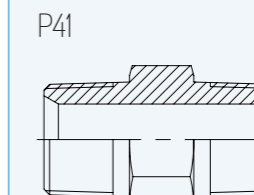
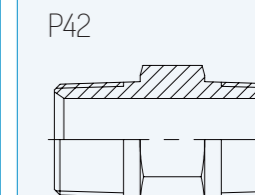
Other	
Code	Description
000	Plug
LN	Bulkhead Nut
FR	Bushing
TP	Test Point Adaptor
B	Swept Elbow
SS	Stainless Steel Material



Hydraulic Adaptors

BSP >>

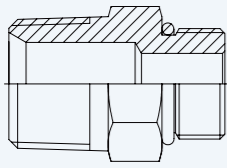


<p>DABPM105M P26</p>  <p>Straight Connector BSPP Male 60° Cone - BSPP Male 60° Cone</p>	<p>DABPM128M P27</p>  <p>Straight Connector BSPP Male 60° - NPTF Male Large Hexagon</p>	<p>DABPM152M P28</p>  <p>Straight Connector BSPP Male 60° Cone-Metric Male 60°Cone</p>	<p>DABPM107M-LH P29</p>  <p>Straight Connector BSPP Male 60° Cone - BSPT Male 60° Large Hexagon</p>
<p>DABPM152JM P31</p>  <p>Straight Connector BSPP Male 60° Cone - JIS Metric Male 60°Cone</p>	<p>DABPM107M P32</p>  <p>Straight Connector BSPP Male 60° - BSPT Male 60°</p>	<p>DABPM1305 P33</p>  <p>Straight Connector BSPP Male 60° - BSPT Male 60°</p>	<p>DABPM106Q P34</p>  <p>Straight Connector BSPP Male 60° - BSPP Male + O Ring + Retaining Ring</p>
<p>DABPM152Q P35</p>  <p>Straight Connector BSPP Male 60° - Metric Male + O Ring + Retaining Ring</p>	<p>DABPM1525 P36</p>  <p>Straight Connector BSPP Male 60° - Metric Male + O Ring</p>	<p>DABPM105M-ED P37</p>  <p>Straight Connector BSPP Male 60° with ED Ring</p>	<p>DABPM107M-ED P38</p>  <p>Straight Connector BSPP Male 60° with ED Ring - BSPT Male 60°</p>
<p>DABPM1061 P39</p>  <p>Straight Connector BSPP Male 60° Cone- BSPP Male with ED Seal</p>	<p>DABPM1521 P40</p>  <p>Straight Connector BSPP Male 60° Cone-Metric Male 60°Cone</p>	<p>DABTM107M P41</p>  <p>Straight Connector BSPT Male 60° -BSPT Male 60°</p>	<p>DABTM128M P42</p>  <p>Straight Connector BSPT Male 60° - NPTF Male 60°</p>



DABTM1305

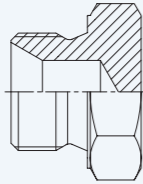
P43



Straight Connector BSPT Male 60° - SAE Male + O Ring

DABPM1000

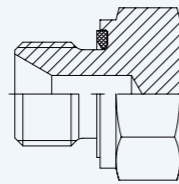
P44



Male Plug BSPP Male 60°

DABPM1000-ED

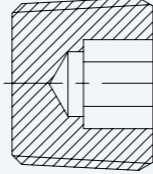
P45



Male Plug BSPP Male 60° ED Seal

DABT21000-HHP

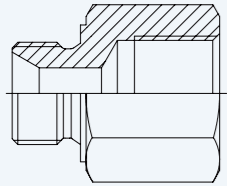
P46



Male Plug with Hexagon Socket Head BSPT

DABPM105F

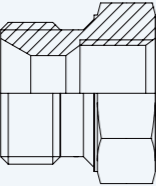
P47



Straight Connector BSPP Male 60° - BSPP Fixed Female

DABPM105FR

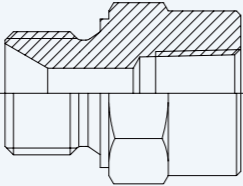
P48



Straight Bushing Connector BSPP Male 60° - BSPP Fixed Female

DABPM128F

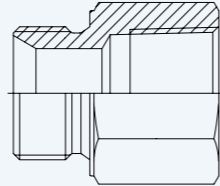
P49



Straight Connector BSPP Male 60° - NPTF Female

DABPM107F

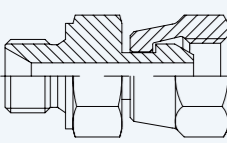
P50



Straight Connector BSPP Male 60° Cone-BSPT Female Cone

DABPM1081

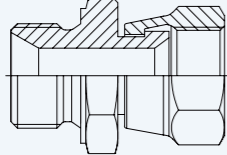
P51



Straight Connector BSPP Male 60° - BSPP Swivel Female 60°

DABPM1251

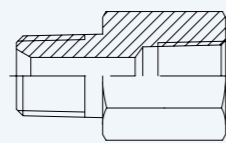
P52



Straight Connector BSP Male 60° - JIC Swivel Female 74°

DABTM107F

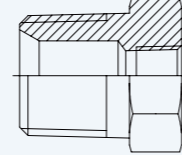
P53



Straight Connector BSPT Male 60° - BSPT Fixed Female

DABTM107FR

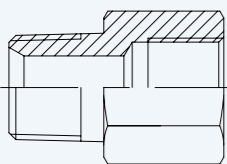
P54



Straight Bushing Connector BSPT Male 60° - BSPT Fixed Female

DABTM105F

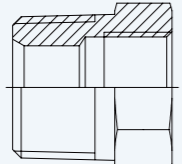
P55



Straight Connector BSPT Male 60° - BSPP Fixed Female

DABTM105FR

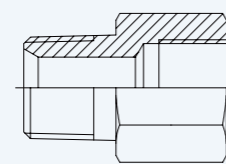
P56



Straight Bushing Connector BSPT Male 60° - BSPP Fixed Female

DABTM152F

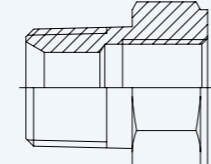
P57



Straight Adaptor BSPT Male 60° - Metric Fixed Female

DABTM152FR

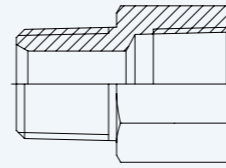
P58



Straight Bushing Connector BSPT Male 60° - Metric Fixed Female

DABTM128F

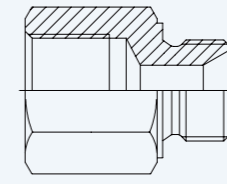
P59



Straight Connector BSPT Male 60° - NPTF Female

DABPF152M

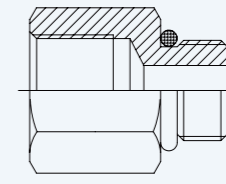
P60



Straight Connector BSPP Fixed Female - Metric Male 60°

DABPF1305

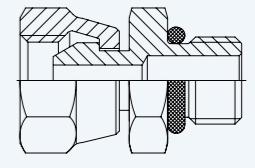
P61



Straight Adaptor BSPP Fixed Female - SAE Male O Ring

DABP11065

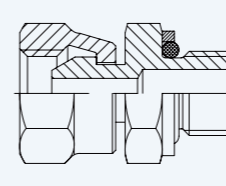
P62



Straight Connector BSPP Swivel Female 60° - BSPP Male + O Ring

DABP1106Q

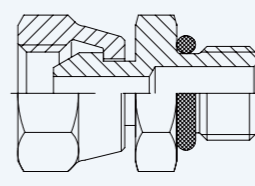
P63



Straight Connector BSPP Swivel Female 60° - BSPP Male + O Ring + Retaining Ring

DABP11305

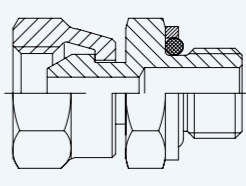
P64



Straight Connector BSP Swivel Female 60° - SAE Male O Ring Boss

DABP1152Q

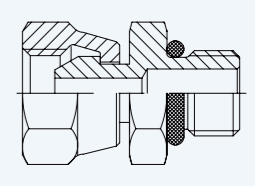
P65



Straight Connector BSPP Swivel Female 60° - Metric Male + O Ring + Retaining Ring

DABP11525

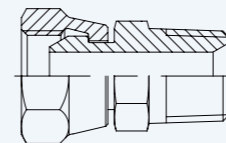
P66



Straight Connector BSPP Swivel Female 60° - Metric Male + O Ring

DABP1107M

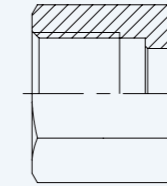
P67



Straight Connector BSPP Swivel Female 60° - BSPT Male 60°

DABPD0000

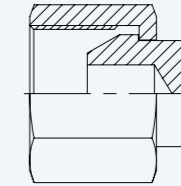
P68



NUT BSPP

DABP31000

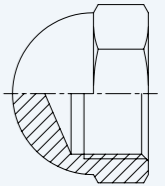
P69



Female Cap BSPP

DABP31000-C

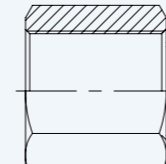
P70



Female Cap BSPP

DABPF105F

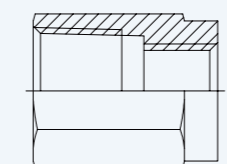
P71



Straight Connector BSPP Female Fixed

DABPF128F

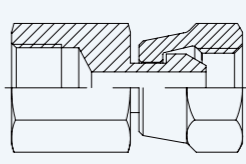
P72



Straight Coupling BSPP Fixed Female - NPTF Fixed Female

DABPF1081

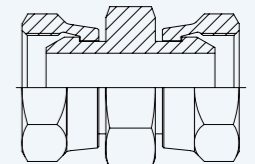
P73



Straight Connector BSPP Fixed Female - BSPP Swivel Female 60°

DABP11081

P74



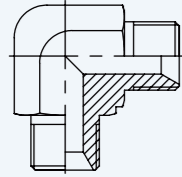
Straight Connector BSPP Swivel Female 60° - BSPP Swivel Female 60°

<p>DABP11251 P75</p> <p>Straight Connector BSPP Swivel Female 60° - JIC Swivel Female 74°</p>	<p>DABTF107F P76</p> <p>Straight Connector BSPT Female Fixed</p>	<p>DABPM100S P77</p> <p>Straight Adaptor BSPP Male 60° - Butt Welding</p>	<p>DABPM100B P78</p> <p>Bonding (socket welding) Connector BSPP Male 60° - Metric / Imperial Tube</p>
<p>DABTM100B P79</p> <p>Bonding (socket welding) Connector BSPT Male 60° - Metric / Imperial Tube</p>	<p>DABTM1000 P80</p> <p>Male Plug BSPT Male 60°</p>	<p>DABP1100B P81</p> <p>Straight Welding Connector BSPP Swivel Female - Metric/Imperial Tube</p>	<p>DABPM105T P82</p> <p>Straight Bulkhead Connector BSPP Male 60° - BSPP Male 60°</p>
<p>DABPM105T-ED P83</p> <p>Straight Bulkhead Connector BSPP Male 60° ED Seal - BSPP 60° Male</p>	<p>DABPLN P84</p> <p>BSPP Bulkhead Nut</p>	<p>DABPM405M P85</p> <p>45° Elbow Connector BSPP Male 60° - BSPP 60° Male</p>	<p>DABPM407M P86</p> <p>45° Elbow Connector BSPP Male 60° - BSPT Male 60°</p>
<p>DABPM428M P87</p> <p>45° Elbow Connector BSPP Male 60° - NPTF Male 60°</p>	<p>DABTM407M P88</p> <p>45° Elbow Connector BSPT Male 60° - BSPT Male 60°</p>	<p>DABPM406Q P89</p> <p>45° Adjustable Elbow BSPP Male 60° - BSPP Male + O Ring + Retaining Ring</p>	<p>DABPM4065 P90</p> <p>45° Adjustable Elbow BSPP Male 60° - BSPP Male + O Ring</p>

<p>DABPM4305 P91</p> <p>45° Adjustable Elbow BSPP Male 60° - SAE Male + O Ring</p>	<p>DABPM452Q P92</p> <p>45° Adjustable Elbow BSPP Male 60° - Metric Male + O Ring + Retaining Ring</p>	<p>DABPM452S P93</p> <p>45° Adjustable Elbow BSPP Male 60° - Metric Male + O Ring</p>	<p>DABPM4081 P94</p> <p>45° Elbow Connector BSPP Male 60° - BSPP Swivel Female 60°</p>
<p>DABPM4251 P95</p> <p>45° Elbow Connector BSPP Male 60° Cone - JIC Swivel Female 74°</p>	<p>DABTM4081 P96</p> <p>45° Elbow Connector BSPT Male 60° - BSPP Swivel Female 60°</p>	<p>DABPF428M P97</p> <p>45° Elbow Connector BSPP Fixed Female - NPTF Male 60°</p>	<p>DABPF407M P98</p> <p>45° Elbow Connector BSPP Fixed Female - BSPT Male</p>
<p>DABP14305 P99</p> <p>45° Adjustable Elbow BSPP Swivel Female 60° - SAE Male O Ring</p>	<p>DABP1406Q P100</p> <p>45° Adjustable Elbow BSPP Swivel Female 60° - BSPP Male + O Ring + Retaining Ring</p>	<p>DABP1452S P101</p> <p>45° Adjustable Elbow BSPP Swivel Female - Metric Male + O Ring</p>	<p>DABP1452Q P102</p> <p>45° Adjustable Elbow BSPP Swivel Female 60° - Metric Male + O Ring + Retaining Ring</p>
<p>DABP14065 P103</p> <p>45° Adjustable Elbow BSPP Swivel Female 60° - BSPP Male + O Ring</p>	<p>DABPF405F P104</p> <p>45° Elbow Connector BSPP Fixed Female - BSPP Fixed Female</p>	<p>DABP14081 P105</p> <p>45° Elbow Connector BSPP Swivel Female 60° - BSPP 60° Swivel Female 45°</p>	<p>DABTF407F P106</p> <p>45° Elbow Connector BSPT Fixed Female - BSPT Fixed Female</p>

DABPM905M

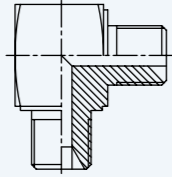
P107



90° Elbow Connector BSPP Male 60° - BSPP 60° Male

DABPM905M-SQ

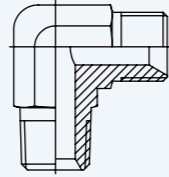
P108



90° Elbow Connector Square BSPP Male 60° - BSPP 60° Male

DABPM907M

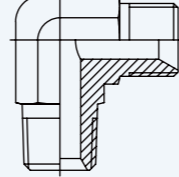
P109



90° Elbow Connector BSPP Male 60° - BSPT Male 60°

DABPM928M

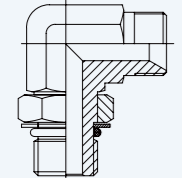
P110



90° Elbow Connector BSPP Male 60° - NPTF Male 60°

DABPM9065

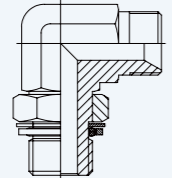
P111



90° Adjustable Elbow BSPP Male 60° - BSPP Male + O Ring

DABPM906Q

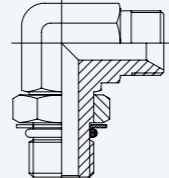
P112



90° Adjustable Elbow BSPP Male 60° - BSPP Male + O Ring + Retaining Ring

DABPM9305

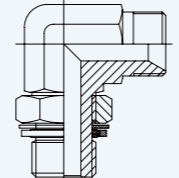
P113



90° Adjustable Elbow BSPP Male 60° - SAE Male O Ring

DABPM952Q

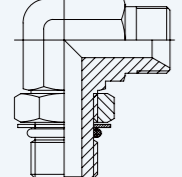
P114



90° Adjustable Elbow BSPP Male 60° - Metric Male + O Ring + Retaining Ring

DABPM9525

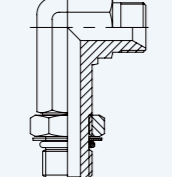
P115



90° Adjustable Elbow BSPP Male 60° - Metric Male + O Ring

DABPM930J

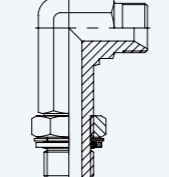
P116



90° Adjustable Long Elbow BSPP Male 60° - SAE Male + O Ring

DABPM906Y

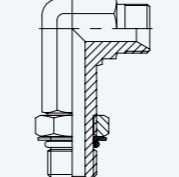
P117



90° Adjustable Long Elbow BSPP Male 60° - BSPP Male + O Ring + Retaining Ring

DABPM906J

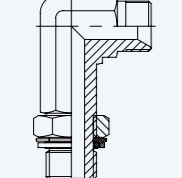
P118



90° Adjustable Long Elbow BSPP Male 60° - BSPP Male + O Ring

DABPM952Y

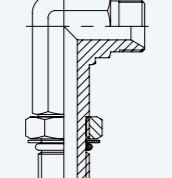
P119



90° Adjustable Long Elbow BSPP Male 60° - Metric Male + O Ring + Retaining Ring

DABPM952J

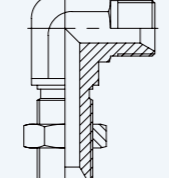
P120



90° Adjustable Long Elbow BSPP Male 60° - Metric Male + O Ring

DABPM905T

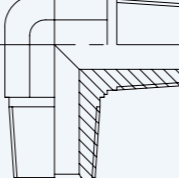
P121



90° Bulkhead Elbow BSPP Male 60° - BSPP 60° Male

DABTM907M

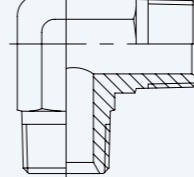
P122



90° Elbow BSPT Male 60° - BSPT Male 60°

DABTM928M

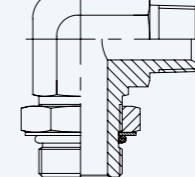
P123



90° Elbow BSPT Male 60° - NPTF Male 60°

DABTM9305

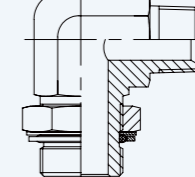
P124



90° Adjustable Elbow BSPT Male 60° - SAE Male + O Ring

DABTM906Q

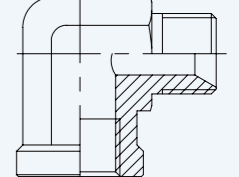
P125



Adjustable 90° Elbow BSPT Male 60° - BSPP Male + O Ring + Retaining Ring

DABPM905F

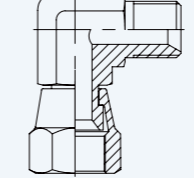
P126



90° Elbow Connector BSPP Male 60° - BSPP Fixed Female 60°

DABPM925I

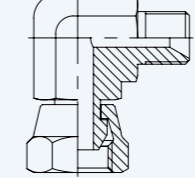
P127



90° Elbow Connector BSPP Male 60° Cone - JIC Swivel Female 74°

DABPM9081

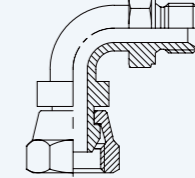
P128



90° Elbow Connector BSPP Male 60° - BSPP Swivel Female 60°

DABPM9081-B

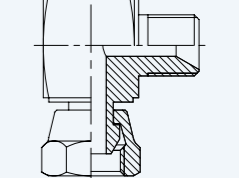
P129



90° Swept Elbow BSPP Male 60° Cone - BSPP Swivel Female 60°

DABPM9081-SQ

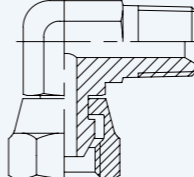
P130



90° Elbow Connector BSPP Male 60° Cone - BSPP Swivel Female 60°

DABTM9081

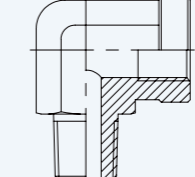
P131



90° Elbow Connector BSPT Male 60° - BSPP Swivel Female 60°

DABPF907M

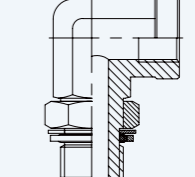
P132



90° Elbow Connector BSPP Fixed Female - BSPT Male

DABPF906Q

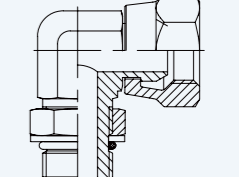
P133



90° Adjustable Elbow BSPP Fixed Female - BSPP Male + O Ring + Retaining Ring

DABP19065

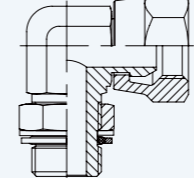
P134



90° Adjustable Elbow BSPP Swivel Female 60° - BSPP Male + O Ring

DABP1906Q

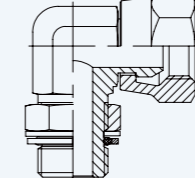
P135



90° Adjustable Elbow BSPP Swivel Female 60° - BSPP Male + O Ring + Retaining Ring

DABP1952Q

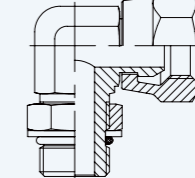
P136



90° Adjustable Elbow BSPP Swivel Female 60° - Metric Male + O Ring + Retaining Ring

DABP19525

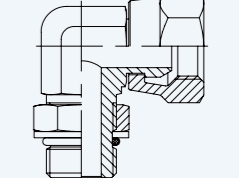
P137



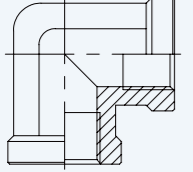
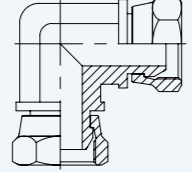
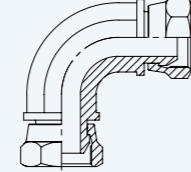
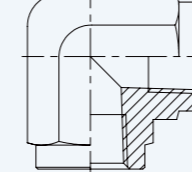
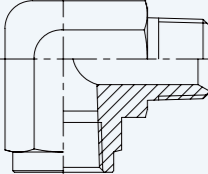
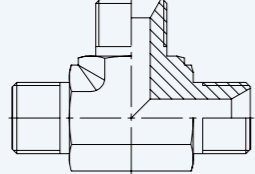
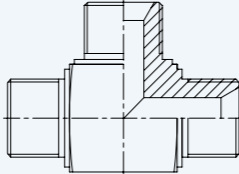
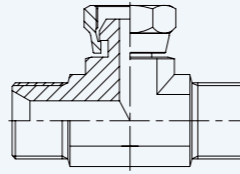
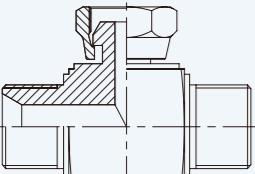
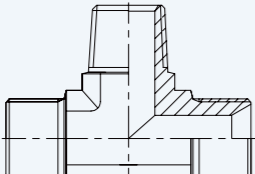
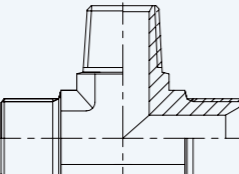
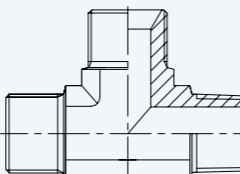
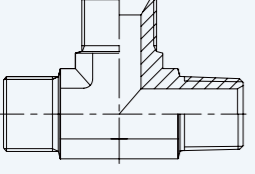
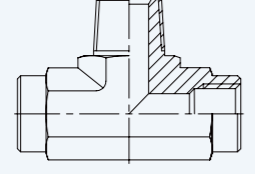
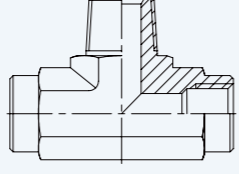
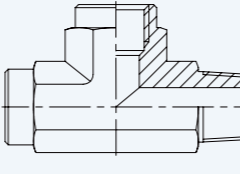
90° Adjustable Elbow BSPP Swivel Female 60° - Metric Male + O Ring

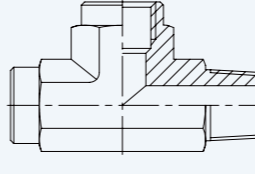
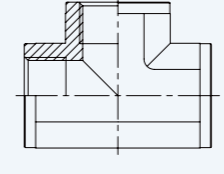
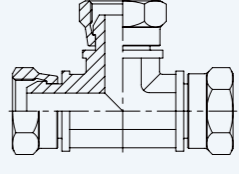
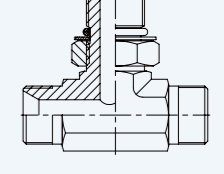
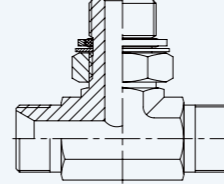
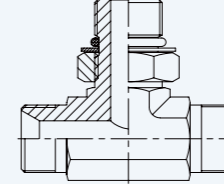
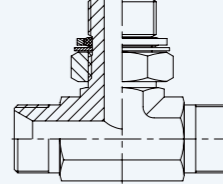
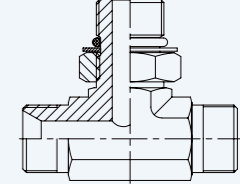
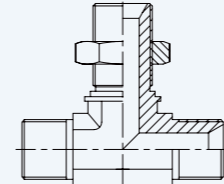
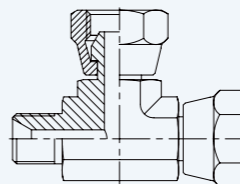
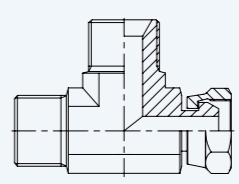
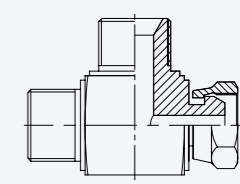
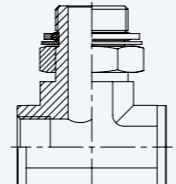
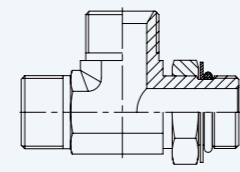
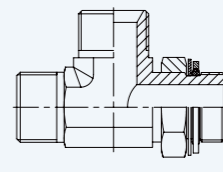
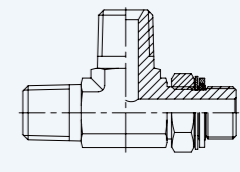
DABP19305

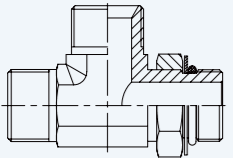
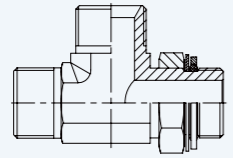
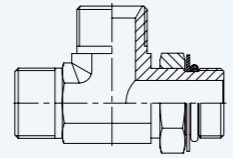
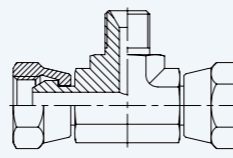
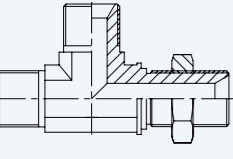
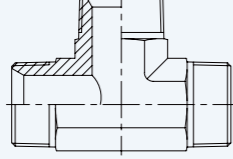
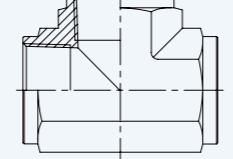
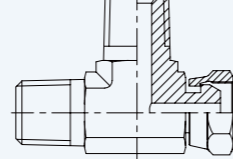
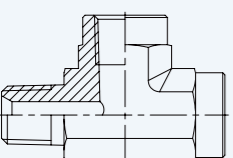
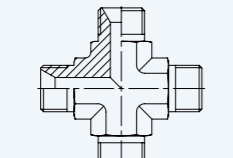
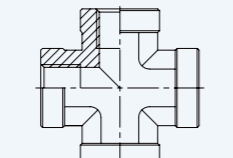
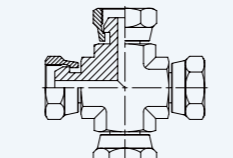
P138



90° Adjustable Elbow BSPP Swivel Female 60° - SAE Male + O Ring

<p>DABPF905F P139</p>  <p>90° Elbow Connector BSPP Fixed Female - BSPP Fixed Female</p>	<p>DABP19081 P140</p>  <p>90° Elbow BSPP Swivel Female 60° - BSPP Swivel Female 60°</p>	<p>DABP19081-B P141</p>  <p>90° Swept Elbow BSPP Swivel Female 60° - BSPP Swivel Female 60°</p>	<p>DABTF907F P142</p>  <p>90° Elbow BSPT Fixed Female - BSPT Fixed Female</p>
<p>DABTM907F P143</p>  <p>90° Elbow BSPT Male 60° - BSPT Fixed Female</p>	<p>DABPMT05M P144</p>  <p>Branch Tee Connector BSPP Male 60° - BSPP Male 60°</p>	<p>DABPMT05M-SQ P145</p>  <p>Branch Tee Connector Square BSPP Male 60° - BSPP Male 60°</p>	<p>DABPMT081 P146</p>  <p>Branch Tee Connector BSPP Male 60° - BSPP Swivel Female 60°</p>
<p>DABPMT081-SQ P147</p>  <p>Branch Tee Connector Square BSPP Male 60° - BSPP Swivel Female 60°</p>	<p>DABPMT07M P148</p>  <p>Branch Tee Connector BSPP Male 60° - BSPT Male 60°</p>	<p>DABPMT28M P149</p>  <p>Branch Tee Connector BSPP Male 60° - NPTF Male 60°</p>	<p>DABPML07M P150</p>  <p>Run Tee Connector BSPP Male 60° - BSPT Male 60°</p>
<p>DABPML28M P151</p>  <p>Run Tee Connector BSPP Male 60° - NPTF Male 60°</p>	<p>DABPFT07M P152</p>  <p>Branch Tee Connector BSPP Fixed Female - BSPT Male 60°</p>	<p>DABPFT28M P153</p>  <p>Branch Tee Connector BSPP Fixed Female - NPTF Male 60°</p>	<p>DABPFL07M P154</p>  <p>Run Tee Connector BSPP Fixed Female - BSPT Male 60°</p>

<p>DABPFL28M P155</p>  <p>Run Tee Connector BSPP Fixed Female - NPTF Male 60°</p>	<p>DABPFT05F P156</p>  <p>Equal Tee Connector BSPP Fixed Female - BSPP Fixed Female</p>	<p>DABPIT081 P157</p>  <p>Branch Tee BSPP Swivel Female 60° - BSPP Swivel Female 60°</p>	<p>DABPMT305 P158</p>  <p>Branch Adjustable Tee BSPP Male 60° - SAE Male + O Ring</p>
<p>DABPMT06Q P159</p>  <p>Branch Adjustable Tee BSPP Male 60° - BSPP Male + O Ring</p>	<p>DABPMT065 P160</p>  <p>Branch Adjustable Tee BSPP Male 60° - BSPP Male + O Ring</p>	<p>DABPMT52Q P161</p>  <p>Branch Adjustable Tee BSPP Male 60° - Metric Male + O Ring</p>	<p>DABPMT525 P162</p>  <p>Branch Adjustable Tee BSPP Male 60° - Metric Male + O Ring</p>
<p>DABPMT05T P163</p>  <p>Branch Bulkhead Tee Connector BSPP Male 60° - BSPP Male 60°</p>	<p>DABPML181 P164</p>  <p>Run Tee Connector BSPP Male 60° - BSPP Swivel Female 60°</p>	<p>DABPML081 P165</p>  <p>Run Tee Connector BSPP Male 60° - BSPP Swivel Female 60°</p>	<p>DABPML081-SQ P166</p>  <p>Run Tee Connector Square BSPP Male 60° - BSPP Swivel Female 60°</p>
<p>DABPFT06Q P167</p>  <p>Branch Adjustable Tee Connector BSPP Fixed Female - BSPP Male + O Ring</p>	<p>DABPML305 P168</p>  <p>Run Adjustable Tee BSPP Male 60° - SAE Male + O Ring + Retaining Ring</p>	<p>DABPML06Q P169</p>  <p>Run Adjustable Tee BSPP Male 60° - BSPP Male + O Ring + Retaining Ring</p>	<p>DABTML06Q P170</p>  <p>Run Adjustable Tee BSPT Male 60° - BSPP Male + O Ring + Retaining Ring</p>

<p>DABPML065 P171</p>  <p>Run Adjustable Tee BSPP Male 60° - BSPP Male + O Ring</p>	<p>DABPML52Q P172</p>  <p>Run Adjustable Tee BSPP Male 60° - Metric Male + O Ring + Retaining Ring</p>	<p>DABPML525 P173</p>  <p>Run Adjustable Tee BSPP Male 60° - Metric Male + O Ring</p>	<p>DABPMT181 P174</p>  <p>Branch Tee Connector BSPP Swivel Female 60° - BSPP Swivel Female 60° - BSPP Male 60°</p>
<p>DABPML05T P175</p>  <p>Run Bulkhead Tee BSPP Male 60° - BSPP Male 60°</p>	<p>DABTMT07M P176</p>  <p>Branch Tee Connector BSPT Male 60° - BSPT Male 60°</p>	<p>DABTFT07F P177</p>  <p>Tee Connector BSPT Fixed Female - BSPT Fixed Female</p>	<p>DABTML081 P178</p>  <p>Run Tee Connector BSPT Male 60° - BSPP Swivel Female 60°</p>
<p>DABTFL07M P179</p>  <p>Run Tee Adaptor BSPT Fixed Female - BSPT Male 60°</p>	<p>DABPMX05M P180</p>  <p>Cross Connector BSPP Male 60° - BSPP Male 60°</p>	<p>DABPFX05F P181</p>  <p>Cross Connector BSPP Fixed Female</p>	<p>DABPIX081 P182</p>  <p>Cross Connector BSPP Swivel Female 60° Cone</p>

DABPM105M

Straight Connector BSPP Male 60° Cone – BSPP Male 60° Cone

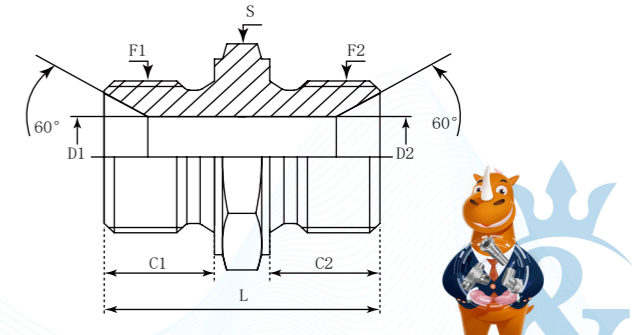
D	A	BP	M	1	05	M
Company	Product Range	Thread Types	Connection Type	Adaptor Structure	Thread Types	Connection Type
DME	Adaptor	BSPP	Male	Straight	BSPP	Male

German Technology Equipment

SHIELD FLEX

New-Standard

- DME&JDE Code: **DABPM105M**
- Product Type: **Hydraulic adaptor**
- Standard: **BSP**
- Structure: **Straight**
- Connection Type: **Male x Male**
- Thread Types: **BSPP 60° Cone x BSPP 60° Cone**



PART NUMBER	F1 (Thread)	F2 (Thread)	C1	C2	D1	D2	L	S
#	BSPP	BSPP	mm	mm	mm	mm	mm	mm
DABPM105M-0202	1/8"-28	1/8"-28	9.00	9.00	3.50	3.50	26.50	14.00
DABPM105M-0402	1/4"-19	1/8"-28	11.00	9.00	4.70	3.50	28.00	19.00
DABPM105M-0404	1/4"-19	1/4"-19	11.00	11.00	4.70	4.70	30.00	19.00
DABPM105M-0602	3/8"-19	1/8"-28	12.00	9.00	7.90	3.50	32.00	22.00
DABPM105M-0604	3/8"-19	1/4"-19	12.00	11.00	7.90	4.70	34.00	22.00
DABPM105M-0606	3/8"-19	3/8"-19	12.00	12.00	7.90	7.90	35.00	22.00
DABPM105M-0802	1/2"-14	1/8"-28	14.00	9.00	11.10	3.50	37.00	27.00
DABPM105M-0804	1/2"-14	1/4"-19	14.00	11.00	11.10	4.70	37.00	27.00
DABPM105M-0806	1/2"-14	3/8"-19	14.00	12.00	11.10	7.90	40.00	27.00
DABPM105M-0808	1/2"-14	1/2"-14	14.00	14.00	11.10	11.10	40.00	27.00
DABPM105M-1004	5/8"-14	1/4"-19	16.00	11.00	14.00	4.70	39.00	30.00
DABPM105M-1006	5/8"-14	3/8"-19	16.00	12.00	14.00	7.90	40.00	30.00
DABPM105M-1008	5/8"-14	1/2"-14	16.00	14.00	14.00	11.10	42.00	30.00
DABPM105M-1010	5/8"-14	5/8"-14	16.00	16.00	14.00	14.00	43.00	30.00
DABPM105M-1204	3/4"-14	1/4"-19	16.00	11.00	16.70	4.70	41.00	32.00
DABPM105M-1206	3/4"-14	3/8"-19	16.00	12.00	16.70	7.90	41.00	32.00
DABPM105M-1208	3/4"-14	1/2"-14	16.00	14.00	16.70	11.10	45.00	32.00
DABPM105M-1210	3/4"-14	5/8"-14	16.00	16.00	16.70	14.00	43.00	32.00
DABPM105M-1212	3/4"-14	3/4"-14	16.00	16.00	16.70	16.70	45.00	32.00
DABPM105M-1606	1"-11	3/8"-19	19.00	12.00	22.20	7.90	46.00	41.00
DABPM105M-1608	1"-11	1/2"-14	19.00	14.00	22.20	11.10	48.00	41.00
DABPM105M-1610	1"-11	5/8"-14	19.00	16.00	22.20	14.00	50.00	41.00
DABPM105M-1612	1"-11	3/4"-14	19.00	16.00	22.20	16.70	50.00	41.00
DABPM105M-1616	1"-11	1"-11	19.00	19.00	22.20	22.20	53.00	41.00
DABPM105M-2008	1-1/4"-11	1/2"-14	20.00	14.00	28.60	11.10	53.00	50.00
DABPM105M-2012	1-1/4"-11	3/4"-14	20.00	16.00	28.60	16.70	53.00	50.00
DABPM105M-2016	1-1/4"-11	1"-11	20.00	19.00	28.60	22.20	57.00	50.00
DABPM105M-2020	1-1/4"-11	1-1/4"-11	20.00	20.00	28.60	28.60	57.00	50.00
DABPM105M-2412	1-1/2"-11	3/4"-14	22.00	16.00	33.30	16.70	55.00	55.00
DABPM105M-2416	1-1/2"-11	1"-11	22.00	19.00	33.30	22.20	56.00	55.00
DABPM105M-2420	1-1/2"-11	1-1/4"-11	22.00	20.00	33.30	28.60	60.00	55.00
DABPM105M-2424	1-1/2"-11	1-1/2"-11	22.00	22.00	33.30	33.30	61.00	55.00
DABPM105M-3216	2"-11	1"-11	25.00	19.00	46.00	22.20	60.00	65.00/70.00
DABPM105M-3220	2"-11	1-1/4"-11	25.00	20.00	46.00	28.60	65.00	70.00
DABPM105M-3224	2"-11	1-1/2"-11	25.00	22.00	46.00	33.30	67.00	70.00
DABPM105M-3232	2"-11	2"-11	25.00	25.00	46.00	46.00	70.00	70.00

Certificate:

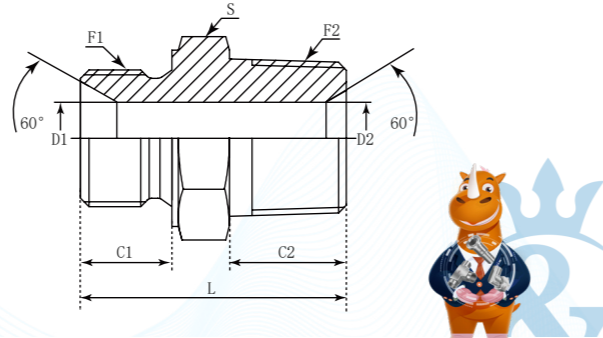
DABPM128M

Straight Connector BSPP Male 60° - NPTF Male Large Hexagon

D	A	BP	M	1	28	M
Company	Product Range	Thread Types	Connection Type	Adaptor Structure	Thread Types	Connection Type
DME	Adaptor	BSPP	Male	Straight	NPTF	Male



- DME&JDE Code:** DABPM128M
- Product Type:** Hydraulic adaptor
- Standard:** BSP
- Structure:** Straight
- Connection Type:** Male x Male
- Thread Types:** BSPP 60° x NPTF Large Hexagon
- Other Features:** Large Hexagon



PART NUMBER	F1 (Thread)	F2 (Thread)	C1	C2	D1	D2	L	S
#	BSPP	NPTF	mm	mm	mm	mm	mm	mm
DABPM128M-0202	1/8"-28	1/8"-27	9.00	9.65	3.50	3.50	25.00	14.00
DABPM128M-0204	1/8"-28	1/4"-18	9.00	14.22	3.50	7.14	31.50	17.00
DABPM128M-0402	1/4"-19	1/8"-27	11.00	9.65	4.70	4.70	28.00	19.00
DABPM128M-0404	1/4"-19	1/4"-18	11.00	14.22	4.70	7.14	33.00	19.00
DABPM128M-0406	1/4"-19	3/8"-18	11.00	14.22	4.70	10.31	34.60	19.00
DABPM128M-0408	1/4"-19	1/2"-14	11.00	19.05	4.70	13.49	39.00	22.22
DABPM128M-0604	3/8"-19	1/4"-18	12.00	14.22	7.14	7.14	36.70	22.00
DABPM128M-0606	3/8"-19	3/8"-18	12.00	14.22	7.90	10.31	37.50	22.00
DABPM128M-0608	3/8"-19	1/2"-14	12.00	19.05	7.90	13.49	40.00	22.22
DABPM128M-0806	1/2"-14	3/8"-18	14.00	14.22	10.31	10.31	40.00	27.00
DABPM128M-0808	1/2"-14	1/2"-14	14.00	19.05	11.10	13.49	45.50	27.00
DABPM128M-0812	1/2"-14	3/4"-14	14.00	19.05	11.10	18.26	45.70	28.57
DABPM128M-0816	1/2"-14	1"-11-1/2	14.00	23.88	11.10	22.20	51.50	36.00
DABPM128M-1008	5/8"-14	1/2"-14	16.00	19.05	13.49	13.49	47.00	30.00
DABPM128M-1012	5/8"-14	3/4"-14	16.00	19.05	14.00	18.26	47.00	30.00
DABPM128M-1206	3/4"-14	3/8"-18	16.00	14.22	16.70	10.31	43.00	32.00
DABPM128M-1208	3/4"-14	1/2"-14	16.00	19.05	16.70	13.49	48.00	32.00
DABPM128M-1212	3/4"-14	3/4"-14	16.00	19.05	16.70	16.70	49.00	32.00
DABPM128M-1216	3/4"-14	1"-11-1/2	16.00	23.88	16.70	22.20	53.50	36.00
DABPM128M-1612	1"-11	3/4"-14	19.00	19.05	22.20	18.26	52.00	41.00
DABPM128M-1616	1"-11	1"-11-1/2	19.00	23.88	22.20	22.20	57.00	41.00
DABPM128M-1620	1"-11	1-1/4"-11-1/2	19.00	24.64	22.20	31.75	58.50	46.00
DABPM128M-2016	1-1/4"-11	1"-11-1/2	20.00	23.88	28.60	23.83	60.00	50.00
DABPM128M-2020	1-1/4"-11	1-1/4"-11-1/2	20.00	24.64	28.60	31.75	59.50	50.00
DABPM128M-2024	1-1/4"-11	1-1/2"-11-1/2	20.00	25.40	28.60	38.10	62.00	50.80
DABPM128M-2420	1-1/2"-11	1-1/4"-11-1/2	22.00	24.64	31.80	31.75	63.50	55.00
DABPM128M-2424	1-1/2"-11	1-1/2"-11-1/2	22.00	25.40	33.30	38.10	64.00	55.00
DABPM128M-2432	1-1/2"-11	2"-11-1/2	22.00	26.16	33.30	49.23	66.00	63.50/65.00
DABPM128M-3224	2"-11	1 1/2"-11-1/2	25.00	25.40	46.00	38.10	68.00	70.00

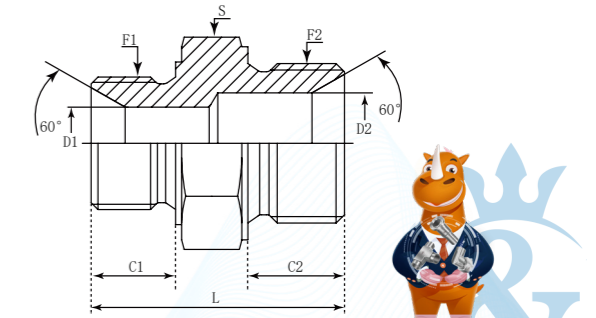
DABPM152M

Straight Connector BSPP Male 60° Cone-Metric Male 60°Cone

D	A	BP	M	1	52	M
Company	Product Range	Thread Types	Connection Type	Adaptor Structure	Thread Types	Connection Type
DME	Adaptor	BSPP	Male	Straight	Metric	Male



- DME&JDE Code:** DABPM152M
- Product Type:** Hydraulic adaptor
- Standard:** BSP
- Structure:** Straight
- Connection Type:** Male x Male
- Thread Types:** BSPP 60° Cone x Metric 60° Cone



PART NUMBER	F1 (Thread)	F2 (Thread)	C1	C2	D1	D2	L	S
#	BSPP	Metric	mm	mm	mm	mm	mm	mm
DABPM152M-0210	1/8"-28	M10X1	9.00	8.00	3.50	3.50	26.00	14.00
DABPM152M-0212	1/8"-28	M12X1.5	9.00	12.00	3.50	3.50	30.50	17.00
DABPM152M-0214	1/8"-28	M14X1.5	9.00	12.00	3.50	6.00	31.00	19.00
DABPM152M-0410	1/4"-19	M10X1	11.00	8.00	3.50	3.50	28.50	19.00
DABPM152M-0412	1/4"-19	M12X1.5	11.00	12.00	4.00	4.00	33.00	19.00
DABPM152M-0414	1/4"-19	M14X1.5	11.00	12.00	4.70	6.00	33.00	19.00
DABPM152M-0416	1/4"-19	M16X1.5	11.00	12.00	4.70	8.00	33.50	22.00
DABPM152M-0418	1/4"-19	M18X1.5	11.00	12.00	4.70	10.00	35.00	24.00
DABPM152M-0420	1/4"-19	M20X1.5	11.00	14.00	4.70	12.00	37.50	27.00
DABPM152M-0422	1/4"-19	M22X1.5	11.00	14.00	4.70	14.10	38.00	27.00
DABPM152M-0612	3/8"-19	M12X1.5	12.00	11.00	7.90	4.00	34.50	22.00
DABPM152M-0614	3/8"-19	M14X1.5	12.00	12.00	7.90	6.00	34.50	22.00
DABPM152M-0616	3/8"-19	M16X1.5	12.00	12.00	7.90	7.90	34.50	22.00
DABPM152M-0618	3/8"-19	M18X1.5	12.00	12.00	7.90	10.00	36.00	24.00
DABPM152M-0620	3/8"-19	M20X1.5	12.00	14.00	7.90	12.00	38.50	27.00
DABPM152M-0622	3/8"-19	M22X1.5	12.00	14.00	7.90	14.10	38.50	27.00
DABPM152M-0812	1/2"-14	M12X1.5	14.00	11.00	11.10	4.00	37.00	27.00
DABPM152M-0814	1/2"-14	M14X1.5	14.00	12.00	11.10	6.00	38.00	27.00
DABPM152M-0816	1/2"-14	M16X1.5	14.00	12.00	11.10	8.00	38.00	27.00
DABPM152M-0818	1/2"-14	M18X1.5	14.00	12.00	11.10	10.00	38.50	27.00
DABPM152M-0820	1/2"-14	M20X1.5	14.00	14.00	11.10	12.00	40.50	27.00
DABPM152M-0822	1/2"-14	M22X1.5	14.00	14.00	11.10	14.10	41.00	27.00
DABPM152M-0824	1/2"-14	M24X1.5	14.00	14.00	11.10	15.50	41.00	30.00
DABPM152M-0826	1/2"-14	M26X1.5	14.00	16.00	11.10	15.00	45.00	32.00
DABPM152M-1022	5/8"-14	M22X1.5	16.00	14.00	14.00	14.00	43.00	30.00
DABPM152M-1216	3/4"-14	M16X1.5	16.00	12.00	16.70	8.00	43.00	32.00
DABPM152M-1218	3/4"-14	M18X1.5	16.00	12.00	16.70	10.00	43.00	32.00
DABPM152M-1220	3/4"-14	M20X1.5	16.00	14.00	16.70	12.00	45.00	32.00
DABPM152M-1222	3/4"-14	M22X1.5	16.00	14.00	16.70	14.10	42.00	32.00
DABPM152M-1224	3/4"-14	M24X1.5	16.00	14.00	15.50	15.50	45.00	32.00
DABPM152M-1230	3/4"-14	M30X1.5	16.00	18.00	16.70	21.50	48.50	36.00
DABPM152M-1618	1"-11	M18X1.5	19.00	12.00	22.20	10.00	47.00	41.00
DABPM152M-1622	1"-11	M22X1.5	19.00	14.00	22.20	14.10	49.00	41.00
DABPM152M-1626	1"-11	M26X1.5	19.00	16.00	22.20	15.00	49.00	41.00
DABPM152M-1628	1"-11	M28X1.5	19.00	16.00	22.20	16.00	50.50	41.00
DABPM152M-1630	1"-11	M30X1.5	19.00	18.00	21.50	21.50	51.50	41.00
DABPM152M-1636	1"-11	M36X1.5	19.00	18.00	22.20	25.00	51.50	41.00
DABPM152M-1638	1"-11	M38X1.5	19.00	18.00	22.20	25.00	54.00	46.00
DABPM152M-2030	1-1/4"-11	M30X1.5	20.00	18.00	28.60	21.50	55.00	50.00
DABPM152M-2038	1-1/4"-11	M38X1.5	20.00	18.00	25.00	25.00	55.00	50.00
DABPM152M-2438	1-1/2"-11	M38X1.5	22.00	18.00	33.30	25.00	59.00	55.00
DABPM152M-2445	1-1/2"-11	M45X1.5	22.00	20.00	32.00	32.00	60.00	55.00
DABPM152M-3245	2"-11	M45X1.5	25.00	20.00	46.00	32.00	66.00	70.00
DABPM152M-3252	2"-11	M52X1.5	25.00	20.00	46.00	38.00	66.00	70.00

Web: <https://www.dmejde.com>
E-mail: info@dmejde.com

Web: <https://www.dmejde.com>
E-mail: info@dmejde.com



DABPM107M-LH

Straight Connector BSPP Male 60° Cone – BSPT Male 60° Large Hexagon

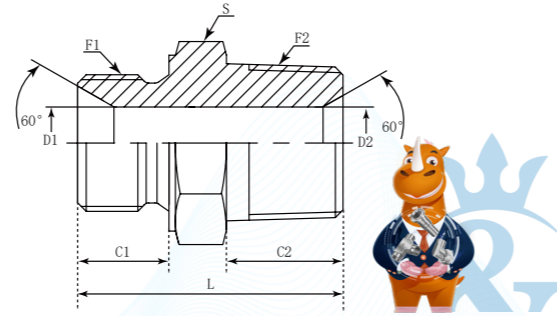
D	A	BP	M	1	07	M	LH
Company	Product Range	Thread Types	Connection Type	Adaptor Structure	Thread Types	Connection Type	Other Features
DME	Adaptor	BSPP	Male	Straight	BSPT	Male	Large Hexagon

German Technology Equipment

SHIELD FLEX

New-Standard

- DME&JDE Code:** DABPM107M-LH
- Product Type:** hydraulic adaptor
- Standard:** BSP
- Structure:** Straight
- Connection Type:** Male x Male
- Thread Types:** BSPP 60° Cone x BSPT 60° Cone Large Hexagon
- Other Features:** Large Hexagon



PART NUMBER	F1 (Thread)	F2 (Thread)	C1	C2	D1	D2	L	S
#	BSPP	BSPT	mm	mm	mm	mm	mm	mm
DABPM107M-LH-0202	1/8"-28	1/8"-28	9.00	10.00	3.50	3.50	26.50	14.00
DABPM107M-LH-0204	1/8"-28	1/4"-19	9.00	14.00	3.50	6.00	30.50	14.00
DABPM107M-LH-0402	1/4"-19	1/8"-28	11.00	10.00	4.50	4.50	29.50	19.00
DABPM107M-LH-0404	1/4"-19	1/4"-19	11.00	14.00	4.70	6.00	32.50	19.00
DABPM107M-LH-0406	1/4"-19	3/8"-19	11.00	15.00	4.70	9.00	33.50	19.00
DABPM107M-LH-0408	1/4"-19	1/2"-14	11.00	19.00	4.70	12.00	39.00	22.00
DABPM107M-LH-0412	1/4"-19	3/4"-14	11.00	20.00	4.70	16.70	40.00	27.00
DABPM107M-LH-0602	3/8"-19	1/8"-28	12.00	10.00	7.90	4.50	30.00	22.00
DABPM107M-LH-0604	3/8"-19	1/4"-19	12.00	14.00	7.90	6.00	35.00	22.00
DABPM107M-LH-0606	3/8"-19	3/8"-19	12.00	15.00	7.90	7.90	36.00	22.00
DABPM107M-LH-0608	3/8"-19	1/2"-14	12.00	19.00	7.90	12.00	39.00	22.00
DABPM107M-LH-0612	3/8"-19	3/4"-14	12.00	20.00	7.90	16.70	41.00	27.00
DABPM107M-LH-0804	1/2"-14	1/4"-19	14.00	14.00	11.10	6.00	39.00	27.00
DABPM107M-LH-0806	1/2"-14	3/8"-19	14.00	15.00	11.10	9.00	40.00	27.00
DABPM107M-LH-0808	1/2"-14	1/2"-14	14.00	19.00	11.10	11.10	44.00	27.00
DABPM107M-LH-0810	1/2"-14	5/8"-14	14.00	19.00	11.10	14.00	44.00	27.00
DABPM107M-LH-0812	1/2"-14	3/4"-14	14.00	20.00	11.10	16.70	45.00	30.00
DABPM107M-LH-0816	1/2"-14	1"-11	14.00	24.00	11.10	22.20	50.50	36.00

PART NUMBER	F1 (Thread)	F2 (Thread)	C1	C2	D1	D2	L	S
#	BSPP	BSPT	mm	mm	mm	mm	mm	mm
DABPM107M-LH-1006	5/8"-14	3/8"-19	16.00	15.00	14.00	9.00	42.00	30.00
DABPM107M-LH-1008	5/8"-14	1/2"-14	16.00	19.00	14.00	12.00	46.00	30.00
DABPM107M-LH-1010	5/8"-14	5/8"-14	16.00	19.00	14.00	14.00	47.00	30.00
DABPM107M-LH-1012	5/8"-14	3/4"-14	16.00	20.00	14.00	16.70	48.00	30.00
DABPM107M-LH-1208	3/4"-14	1/2"-14	16.00	19.00	16.70	12.00	47.00	32.00
DABPM107M-LH-1212	3/4"-14	3/4"-14	16.00	20.00	16.70	16.70	45.00	32.00
DABPM107M-LH-1216	3/4"-14	1"-11	16.00	24.00	16.70	22.20	53.00	36.00
DABPM107M-LH-1220	3/4"-14	1-1/4"-11	16.00	25.00	16.70	28.60	56.00	46.00
DABPM107M-LH-1608	1"-11	1/2"-14	19.00	19.00	22.20	12.00	52.00	41.00
DABPM107M-LH-1612	1"-11	3/4"-14	19.00	20.00	22.20	16.70	53.00	41.00
DABPM107M-LH-1616	1"-11	1"-11	19.00	24.00	22.20	22.20	57.00	41.00
DABPM107M-LH-1620	1"-11	1-1/4"-11	19.00	25.00	22.20	28.60	58.00	46.00
DABPM107M-LH-1624	1"-11	1-1/2"-11	19.00	25.00	22.20	33.30	61.00	50.00
DABPM107M-LH-2012	1-1/4"-11	3/4"-11	20.00	20.00	28.60	16.70	56.00	50.00
DABPM107M-LH-2016	1-1/4"-11	1"-11	20.00	24.00	28.60	22.20	60.00	50.00
DABPM107M-LH-2020	1-1/4"-11	1-1/4"-11	20.00	25.00	28.60	28.60	61.00	50.00
DABPM107M-LH-2024	1-1/4"-11	1-1/2"-11	20.00	25.00	28.60	33.30	62.00	50.00
DABPM107M-LH-2416	1-1/2"-11	1"-11	22.00	24.00	33.30	22.20	62.00	55.00
DABPM107M-LH-2420	1-1/2"-11	1-1/4"-11	22.00	25.00	33.30	28.60	63.00	55.00
DABPM107M-LH-2424	1-1/2"-11	1-1/2"-11	22.00	25.00	33.30	33.30	63.00	55.00
DABPM107M-LH-2432	1-1/2"-11	2"-11	22.00	30.00	33.30	46.00	70.00	65.00
DABPM107M-LH-3220	2"-11	1-1/4"-11	25.00	25.00	46.00	28.60	70.00	70.00
DABPM107M-LH-3224	2"-11	1-1/2"-11	25.00	25.00	46.00	33.30	68.50	70.00
DABPM107M-LH-3232	2"-11	2"-11	25.00	30.00	46.00	46.00	72.00	70.00
DABPM107M-LH-4040	2-1/2"-11	2-1/2"-11	32.00	36.00	58.00	58.00	84.00	90.00



DABPM152JM

Straight Connector BSPP Male 60° Cone - JIS Metric Male 60° Cone

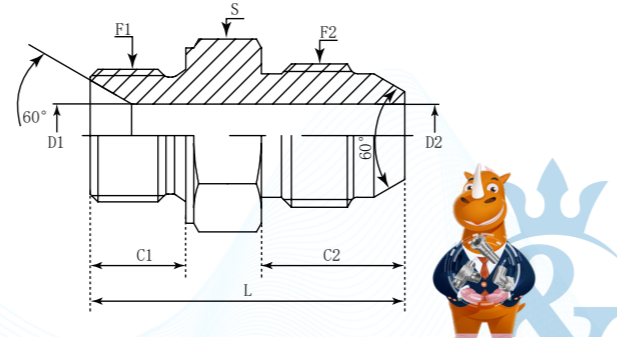
D	A	BP	M	1	52J	M
Company	Product Range	Thread Types	Connection Type	Adaptor Structure	Thread Types	Connection Type
DME	Adaptor	BSPP	Male	Straight	JIS Metric	Male

German Technology Equipment

SHIELD FLEX

New-Standard

- DME&JDE Code: **DABPM152JM**
- Product Type: **Hydraulic adaptor**
- Standard: **BSP**
- Structure: **Straight**
- Connection Type: **Male x Male**
- Thread Types: **BSPP 60° Cone x JIS Metric 60° Cone**



PART NUMBER	F1 (Thread)	F2 (Thread)	C1	C2	D1	D2	L	S
#	BSPP	Metric	mm	mm	mm	mm	mm	mm
DABPM152JM-0414	1/4"-19	M14X1.5	11.00	17.00	4.70	4.70	35.00	19.00
DABPM152JM-0418	1/4"-19	M18X1.5	11.00	18.00	4.70	7.90	38.00	22.00
DABPM152JM-0618	3/8"-19	M18X1.5	12.00	18.00	7.90	7.90	39.50	22.00
DABPM152JM-0622	3/8"-19	M22X1.5	12.00	20.00	7.90	12.00	41.00	24.00
DABPM152JM-0818	1/2"-14	M18X1.5	14.00	18.00	11.10	7.90	44.00	27.00
DABPM152JM-0822	1/2"-14	M22X1.5	14.00	20.00	11.10	11.10	44.00	27.00
DABPM152JM-1024	5/8"-14	M24X1.5	16.00	21.50	14.00	14.00	48.00	30.00
DABPM152JM-1230	3/4"-14	M30X1.5	16.00	26.00	16.70	16.70	52.00	32.00
DABPM152JM-1633	1"-11	M33X1.5	19.00	30.00	22.20	19.00	60.00	41.00



DABPM107M

Straight Connector BSPP Male 60° - BSPT Male 60°

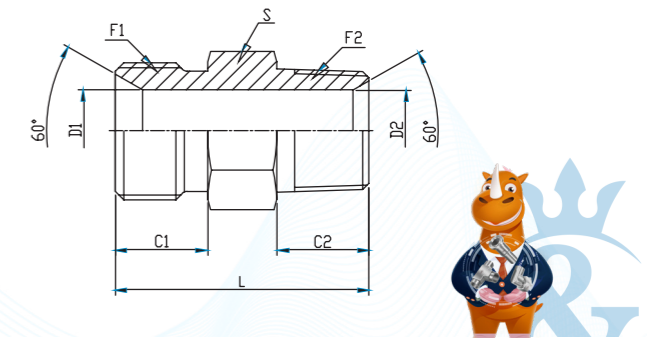
D	A	BP	M	1	07	M
Company	Product Range	Thread Types	Connection Type	Adaptor Structure	Thread Types	Connection Type
DME	Adaptor	BSPP	Male	Straight	BSPT	Male

German Technology Equipment

SHIELD FLEX

New-Standard

- DME&JDE Code: **DABPM107M**
- Product Type: **Hydraulic adaptor**
- Standard: **BSP**
- Structure: **Straight**
- Connection Type: **Male x Male**
- Thread Types: **BSPP 60° Cone x BSPT 60° Cone**



PART NUMBER	F1 (Thread)	F2 (Thread)	C1	C2	D1	D2	L	S
#	BSPP	BSPT	mm	mm	mm	mm	mm	mm
DABPM107M-0202	1/8"-28	1/8"-28	8.00	10.00	3.50	3.50	24.00	12.00
DABPM107M-0402	1/4"-19	1/8"-28	11.00	10.00	4.50	4.50	29.00	14.00
DABPM107M-0404	1/4"-19	1/4"-19	11.00	14.00	4.70	6.00	33.00	14.00
DABPM107M-0406	1/4"-19	3/8"-19	11.00	15.00	4.70	9.00	33.00	17.00
DABPM107M-0606	3/8"-19	3/8"-19	12.00	15.00	7.90	7.90	35.00	17.00
DABPM107M-0608	3/8"-19	1/2"-14	12.00	19.00	7.90	12.00	39.00	22.00
DABPM107M-0612	3/8"-19	3/4"-14	12.00	20.00	7.90	16.70	41.00	27.00
DABPM107M-0804	1/2"-14	1/4"-19	14.00	14.00	11.10	6.00	37.00	22.00
DABPM107M-0808	1/2"-14	1/2"-14	14.00	19.00	11.10	11.10	44.00	22.00
DABPM107M-1208	3/4"-14	1/2"-14	16.00	19.00	16.70	12.00	45.00	27.00
DABPM107M-1212	3/4"-14	3/4"-14	16.00	20.00	16.70	16.70	46.00	27.00
DABPM107M-1216	3/4"-14	1"-11	16.00	24.00	16.70	22.20	51.00	36.00
DABPM107M-1616	1"-11	1"-11	19.00	24.00	22.20	22.20	56.00	36.00
DABPM107M-2020	1-1/4"-11	1-1/4"-11	20.00	25.00	28.60	28.60	57.00	46.00
DABPM107M-2424	1-1/2"-11	1-1/2"-11	22.00	25.00	33.30	33.30	62.00	50.00
DABPM107M-3232	2"-11	2"-11	25.00	30.00	46.00	46.00	70.00	65.00



DABPM1305

Straight Connector BSPP Male 60° - SAE Male + O Ring

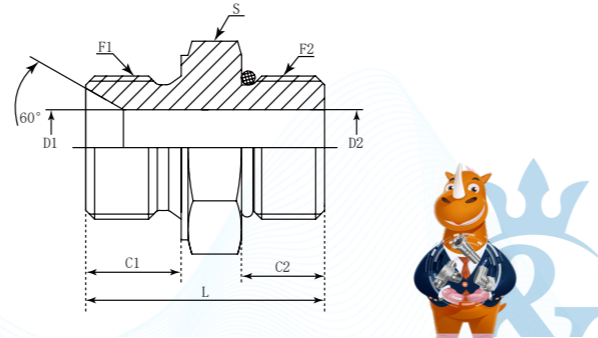
D	A	BP	M	1	30	5
Company	Product Range	Thread Types	Connection Type	Adaptor Structure	Thread Types	Connection Type
DME	Adaptor	BSPP	Male	Straight	SAE	Male + O Ring

German Technology Equipment

SHIELD FLEX

New-Standard

- DME&JDE Code: **DABPM1305**
- Product Type: **Hydraulic adaptor**
- Standard: **BSP**
- Structure: **Straight**
- Connection Type: **Male x Male**
- Thread Types: **BSPP 60° x SAE + O Ring**
- Sealing Method: **O Ring**



PART NUMBER	F1 (Thread)	F2 (Thread)	C1	C2	D1	D2	L	S
#	BSPP	BSPP	mm	mm	mm	mm	mm	mm
DABPM1305-0404	1/4"-19	7/16"-20	11.00	9.14	4.37	4.37	29.50	19.00
DABPM1305-0406	1/4"-19	9/16"-18	11.00	9.93	4.70	7.54	30.00	19.00
DABPM1305-0408	1/4"-19	3/4"-16	11.00	11.13	4.70	9.93	32.00	22.00
DABPM1305-0604	3/8"-19	7/16"-20	12.00	9.14	7.90	4.37	32.80	22.00
DABPM1305-0606	3/8"-19	9/16"-18	12.00	9.93	7.50	7.54	33.50	22.00
DABPM1305-0608	3/8"-19	3/4"-16	12.00	11.13	7.90	9.93	33.00	22.00
DABPM1305-0610	3/8"-19	7/8"-14	12.00	12.70	7.90	12.29	36.50	27.00
DABPM1305-0612	3/8"-19	1-1/16"-12	12.00	15.09	7.90	15.47	40.00	32.00
DABPM1305-0808	1/2"-14	3/4"-16	14.00	11.13	11.10	9.93	40.00	27.00
DABPM1305-0810	1/2"-14	7/8"-14	14.00	12.70	11.10	12.29	38.70	27.00
DABPM1305-0812	1/2"-14	1-1/16"-12	14.00	15.09	11.10	15.47	42.00	32.00
DABPM1305-1010	5/8"-14	7/8"-14	16.00	12.70	12.29	12.29	42.50	30.00
DABPM1305-1012	5/8"-14	1-1/16"-12	16.00	15.09	14.00	15.47	43.50	32.00
DABPM1305-1208	3/4"-14	3/4"-16	16.00	11.13	16.70	9.93	43.80	32.00
DABPM1305-1210	3/4"-14	7/8"-14	16.00	12.70	16.70	12.29	43.50	32.00
DABPM1305-1212	3/4"-14	1-1/16"-12	16.00	15.09	15.47	15.47	44.50	32.00
DABPM1305-1216	3/4"-14	1-5/16"-12	16.00	15.09	16.70	21.44	46.00	41.00
DABPM1305-1612	1"-11	1-1/16"-12	19.00	15.09	22.20	15.47	51.00	41.00
DABPM1305-1616	1"-11	1-5/16"-12	19.00	15.09	21.44	21.44	46.10	41.00
DABPM1305-1620	1"-11	1-5/8"-12	19.00	15.09	22.20	27.38	50.00	50.00
DABPM1305-2016	1-1/4"-11	1-5/16"-12	20.00	15.09	28.60	21.44	53.50	50.00
DABPM1305-2020	1-1/4"-11	1-5/8"-12	20.00	15.09	27.38	27.38	54.50	50.00
DABPM1305-2024	1-1/4"-11	1-7/8"-12	20.00	15.09	28.60	33.30	52.00	53.97

DABPM106Q

Straight Connector BSPP Male 60° - BSPP Male + O Ring + Retaining Ring

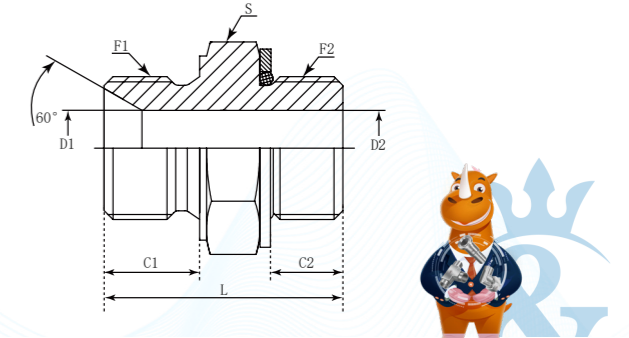
D	A	BP	M	1	06	0
Company	Product Range	Thread Types	Connection Type	Adaptor Structure	Thread Types	Connection Type
DME	Adaptor	BSPP	Male	Straight	BPSS	Male + O Ring + Retaining Ring

German Technology Equipment

SHIELD FLEX

New-Standard

- DME&JDE Code: **DABPM106Q**
- Product Type: **Hydraulic adaptor**
- Standard: **BSP**
- Structure: **Straight**
- Connection Type: **Male x Male**
- Thread Types: **BSPP 60° Cone x BSPP**
- Sealing Method: **Male + O Ring + Retaining Ring**



PART NUMBER	F1 (Thread)	F2 (Thread)	C1	C2	D1	D2	L	S
#	BSPP	NPTF	mm	mm	mm	mm	mm	mm
DABPM106Q-0202	1/8"-28	1/8"-28	9.00	7.60	3.50	3.50	23.50	14.00
DABPM106Q-0404	1/4"-19	1/4"-19	11.00	11.20	4.70	4.70	31.00	19.00
DABPM106Q-0606	3/8"-19	3/8"-19	12.00	11.20	7.90	7.90	34.00	22.00
DABPM106Q-0808	1/2"-14	1/2"-14	14.00	14.50	11.10	11.10	40.00	27.00
DABPM106Q-1010	5/8"-14	5/8"-15	16.00	14.50	12.30	12.30	40.00	32.00
DABPM106Q-1212	3/4"-14	3/4"-14	16.00	14.50	15.50	15.50	44.00	32.00
DABPM106Q-1616	1"-11	1"-11	19.00	18.60	21.50	21.50	55.00	46.00
DABPM106Q-2020	1-1/4"-11	1-1/4"-11	20.00	18.60	27.50	27.50	53.00	50.00
DABPM106Q-2424	1-1/2"-11	1-1/2"-11	22.00	18.60	33.00	33.00	63.00	55.00

DABPM152Q

Straight Connector BSPP Male 60° – Metric Male + O Ring + Retaining Ring

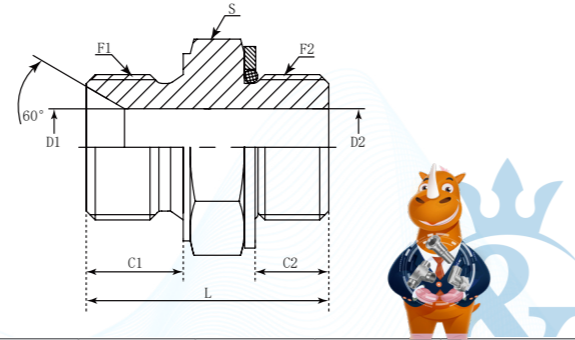
D	A	BP	M	1	52	0
Company	Product Range	Thread Types	Connection Type	Adaptor Structure	Thread Types	Connection Type
DME	Adaptor	BSPP	Male	Straight	Metric	Male + O Ring + Retaining Ring

German Technology Equipment

SHIELD FLEX

New-Standard

- DME&JDE Code: **DABPM152Q**
- Product Type: **Hydraulic adaptor**
- Standard: **BSP**
- Structure: **Straight**
- Connection Type: **Male x Male**
- Thread Types: **BSPP 60° x Metric**
- Sealing Method: **O Ring + Retaining Ring**



PART NUMBER	F1 (Thread)	F2 (Thread)	C1	C2	D1	D2	L	S
#	BSPP	BSPP	mm	mm	mm	mm	mm	mm
DABPM152Q-0210	1/8"-28	M10X1	9.00	9.00	3.50	3.50	26.00	14.00
DABPM152Q-0212	1/8"-28	M12X1.5	9.00	11.00	3.50	6.00	28.00	17.00
DABPM152Q-0412	1/4"-19	M12X1.5	11.00	11.00	4.70	4.70	31.00	19.00
DABPM152Q-0416	1/4"-19	M16X1.5	11.00	12.00	4.70	7.00	32.50	19.00
DABPM152Q-0618	3/8"-19	M18X1.5	12.00	12.50	7.90	10.00	35.00	24.00
DABPM152Q-0820	1/2"-14	M20X1.5	14.00	12.50	11.10	11.10	38.00	27.00
DABPM152Q-1226	3/4"-14	M26X1.5	16.00	16.00	16.70	16.70	42.50	32.00
DABPM152Q-1627	1"-11	M27X2	19.00	16.00	22.20	18.00	50.00	41.00
DABPM152Q-2042	1-1/4"-11	M42X2	20.00	16.00	28.60	28.60	53.00	50.00
DABPM152Q-2448	1-1/2"-11	M48X2	22.00	17.50	33.30	33.30	56.50	55.00

DABPM1525

Straight Connector BSPP Male 60° – Metric Male + O Ring

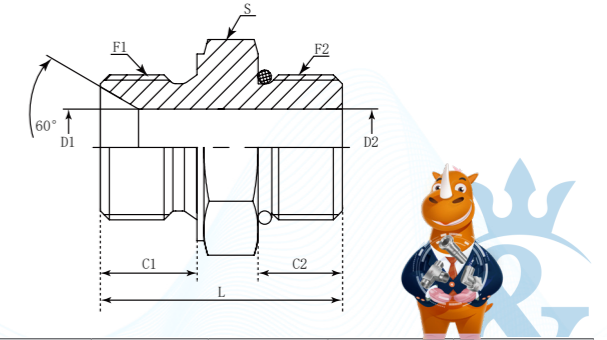
D	A	BP	M	1	52	5
Company	Product Range	Thread Types	Connection Type	Adaptor Structure	Thread Types	Connection Type
DME	Adaptor	BSPP	Male	Straight	Metric	Male + O Ring

German Technology Equipment

SHIELD FLEX

New-Standard

- DME&JDE Code: **DABPM1525**
- Product Type: **Hydraulic adaptor**
- Standard: **BSP**
- Structure: **Straight**
- Connection Type: **Male x Male**
- Thread Types: **BSPP 60° x Metric**
- Sealing Method: **Male + O Ring**



PART NUMBER	F1 (Thread)	F2 (Thread)	C1	C2	D1	D2	L	S
#	BSPP	NPTF	mm	mm	mm	mm	mm	mm
DABPM1525-0210	1/8"-28	M10X1	9.00	9.00	3.50	3.50	26.00	14.00
DABPM1525-0212	1/8"-28	M12X1.5	9.00	11.00	3.50	6.00	28.00	17.00
DABPM1525-0412	1/4"-19	M12X1.5	11.00	11.00	4.70	4.70	31.00	19.00
DABPM1525-0416	1/4"-19	M16X1.5	11.00	12.00	4.70	7.00	32.50	19.00
DABPM1525-0618	3/8"-19	M18X1.5	12.00	12.50	7.90	10.00	35.00	24.00
DABPM1525-0820	1/2"-14	M20X1.5	14.00	12.50	11.10	11.10	38.00	27.00
DABPM1525-1226	3/4"-14	M26X1.5	16.00	16.00	16.70	16.70	42.50	32.00
DABPM1525-1627	1"-11	M27X2	19.00	16.00	22.20	18.00	50.00	41.00
DABPM1525-2042	1-1/4"-11	M42X2	20.00	16.00	28.60	28.60	53.00	50.00
DABPM1525-2448	1-1/2"-11	M48X2	22.00	17.50	33.30	33.30	56.50	55.00

DABPM105M-ED

Straight Connector BSPP Male 60° with ED Ring

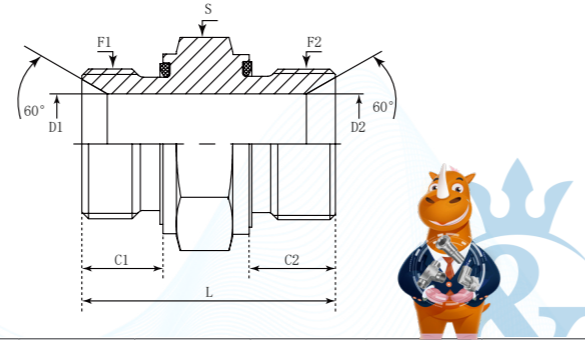
D	A	BP	M	1	05	M	ED
Company	Product Range	Thread Types	Connection Type	Adaptor Structure	Thread Types	Connection Type	Sealing Type
DME	Adaptor	BSPP	Male	Straight	BSPP	Male	ED Ring

German Technology Equipment

SHIELD FLEX

New-Standard

- DME&JDE Code: **DABPM105M-ED**
- Product Type: **Hydraulic adaptor**
- Standard: **BSP**
- Structure: **Straight**
- Connection Type: **Male x Male**
- Thread Types: **BSPP 60°**
- Sealing Method: **ED Ring**



PART NUMBER	F1 (Thread)	F2 (Thread)	C1	C2	D1	D2	L	S
#	BSPP	BSPP	mm	mm	mm	mm	mm	mm
DABPM105M-ED-0202	1/8"-28	1/8"-28	8.00	8.00	3.50	3.50	25.00	14.00
DABPM105M-ED-0402	1/4"-19	1/8"-28	12.00	8.00	4.70	3.50	29.50	19.00
DABPM105M-ED-0404	1/4"-19	1/4"-19	12.00	12.00	4.70	4.70	34.00	19.00
DABPM105M-ED-0602	3/8"-19	1/8"-28	12.00	8.00	7.90	3.50	30.00	22.00
DABPM105M-ED-0604	3/8"-19	1/4"-19	12.00	12.00	7.90	4.70	34.50	22.00
DABPM105M-ED-0606	3/8"-19	3/8"-19	12.00	12.00	7.90	7.90	37.00	22.00
DABPM105M-ED-0804	1/2"-14	1/4"-19	14.00	12.00	11.10	4.70	40.00	27.00
DABPM105M-ED-0806	1/2"-14	3/8"-19	14.00	12.00	11.10	7.90	40.50	27.00
DABPM105M-ED-0808	1/2"-14	1/2"-14	14.00	14.00	11.10	11.10	44.00	27.00
DABPM105M-ED-1004	5/8"-14	1/4"-19	16.00	12.00	14.00	4.70	43.00	30.00
DABPM105M-ED-1006	5/8"-14	3/8"-19	16.00	12.00	14.00	7.90	43.00	30.00
DABPM105M-ED-1008	5/8"-14	1/2"-14	16.00	14.00	14.00	11.10	45.00	30.00
DABPM105M-ED-1010	5/8"-14	5/8"-14	16.00	16.00	14.00	14.00	47.00	30.00
DABPM105M-ED-1204	3/4"-14	1/4"-19	16.00	12.00	16.70	4.70	44.00	32.00
DABPM105M-ED-1206	3/4"-14	3/8"-19	16.00	12.00	16.70	7.90	44.00	32.00
DABPM105M-ED-1208	3/4"-14	1/2"-14	16.00	14.00	16.70	11.10	46.00	32.00
DABPM105M-ED-1212	3/4"-14	3/4"-14	16.00	16.00	16.70	16.70	47.00	32.00
DABPM105M-ED-1604	1"-11	1/4"-19	18.00	12.00	22.20	4.70	47.50	41.00
DABPM105M-ED-1606	1"-11	3/8"-19	18.00	12.00	22.20	7.90	47.50	41.00
DABPM105M-ED-1608	1"-11	1/2"-14	18.00	14.00	22.20	11.10	51.00	41.00
DABPM105M-ED-1610	1"-11	5/8"-14	18.00	16.00	22.20	14.00	52.50	41.00
DABPM105M-ED-1612	1"-11	3/4"-14	18.00	16.00	22.20	16.70	52.50	41.00
DABPM105M-ED-1616	1"-11	1"-11	18.00	18.00	22.20	22.20	55.00	41.00
DABPM105M-ED-2012	1-1/4"-11	3/4"-14	20.00	16.00	28.60	16.70	57.00	50.00
DABPM105M-ED-2016	1-1/4"-11	1"-11	20.00	18.00	28.60	22.20	58.50	50.00
DABPM105M-ED-2020	1-1/4"-11	1-1/4"-11	20.00	20.00	28.60	28.60	61.00	50.00
DABPM105M-ED-2412	1-1/2"-11	3/4"-14	22.00	16.00	33.30	16.70	59.00	55.00
DABPM105M-ED-2416	1-1/2"-11	1"-11	22.00	18.00	33.30	22.20	61.00	55.00
DABPM105M-ED-2420	1-1/2"-11	1-1/4"-11	22.00	20.00	33.30	28.60	60.50	55.00
DABPM105M-ED-2424	1-1/2"-11	1-1/2"-11	22.00	22.00	33.30	33.30	65.00	55.00
DABPM105M-ED-3220	2"-11	1-1/4"-11	22.00	20.00	46.00	28.60	66.00	75.00
DABPM105M-ED-3224	2"-11	1-1/2"-11	22.00	22.00	46.00	33.30	66.00	75.00
DABPM105M-ED-3232	2"-11	2"-11	22.00	22.00	46.00	46.00	66.00	70.00

DABPM107M-ED

Straight Connector BSPP Male 60° with ED Ring - BSPT Male 60°

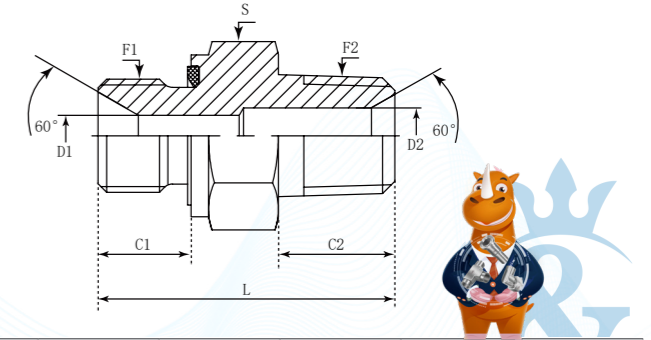
D	A	BP	M	1	07	M	ED
Company	Product Range	Thread Types	Connection Type	Adaptor Structure	Thread Types	Connection Type	Sealing Method
DME	Adaptor	BSPP	Male	Straight	BSPT	Male	ED Ring

German Technology Equipment

SHIELD FLEX

New-Standard

- DME&JDE Code: **DABPM107M-ED**
- Product Type: **Hydraulic adaptor**
- Standard: **BSP**
- Structure: **Straight**
- Connection Type: **Male x Male**
- Thread Types: **BSPP 60° x BSPT 60°**
- Sealing Method: **ED Ring**



PART NUMBER	F1 (Thread)	F2 (Thread)	C1	C2	D1	D2	L	S
#	BSPP	NPTF	mm	mm	mm	mm	mm	mm
DABPM107M-ED-0406	1/4"-19	3/8"-19	12.00	15.00	4.70	9.00	35.00	19.00
DABPM107M-ED-0408	1/4"-19	1/2"-14	12.00	19.00	4.70	12.00	42.00	22.00
DABPM107M-ED-0606	3/8"-19	3/8"-19	12.00	15.00	7.90	9.00	37.50	22.00
DABPM107M-ED-0608	3/8"-19	1/2"-14	12.00	19.00	7.90	12.00	42.50	24.00
DABPM107M-ED-0612	3/8"-19	3/4"-14	12.00	20.00	7.90	16.70	44.50	30.00
DABPM107M-ED-0804	1/2"-14	1/4"-19	14.00	14.00	11.10	6.00	41.50	27.00
DABPM107M-ED-0806	1/2"-14	3/8"-19	14.00	15.00	11.10	9.00	42.00	27.00
DABPM107M-ED-0808	1/2"-14	1/2"-14	14.00	19.00	11.10	12.00	47.00	27.00
DABPM107M-ED-1206	3/4"-14	3/8"-19	16.00	15.00	16.70	9.00	45.00	32.00
DABPM107M-ED-1208	3/4"-14	1/2"-14	16.00	19.00	16.70	12.00	50.00	32.00
DABPM107M-ED-1608	1"-11	1/2"-14	18.00	19.00	22.20	12.00	54.00	41.00
DABPM107M-ED-1616	1"-11	1"-11	18.00	24.00	22.20	22.20	59.50	41.00
DABPM107M-ED-2020	1-1/4"-11	1-1/4"-11	20.00	25.00	28.60	28.60	64.50	50.00
DABPM107M-ED-2420	1-1/2"-11	1-1/4"-11	22.00	25.00	33.30	28.60	66.50	55.00
DABPM107M-ED-2424	1-1/2"-11	1-1/2"-11	22.00	25.00	33.30	33.30	66.50	55.00
DABPM107M-ED-3232	2"-11	2"-11	22.00	30.00	46.00	46.00	70.00	70.00

DABPM1061

Straight Connector BSPP Male 60° Cone- BSPP Male with ED Seal

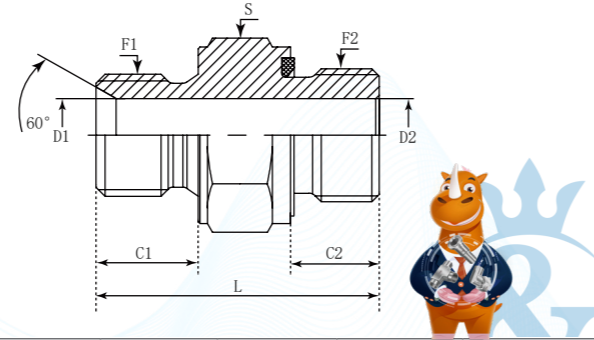
D	A	BP	M	1	061
Company	Product Range	Thread Types	Connection Type	Adaptor Structure	Thread Types
DME	Adaptor	BSPP	Male	Straight	BSPP + ED

German Technology Equipment

SHIELD FLEX

New-Standard

- DME&JDE Code: **DABPM1061**
- Product Type: **Hydraulic adaptor**
- Standard: **BSP**
- Structure: **Straight**
- Connection Type: **Male x Male**
- Thread Types: **BSPP 60° Cone x BSPP**
- Sealing Method: **ED Seal**



PART NUMBER	F1 (Thread)	F2 (Thread)	C1	C2	D1	D2	L	S
#	BSPP	BSPP	mm	mm	mm	mm	mm	mm
DABPM1061-0202	1/8"-28	1/8"-28	8.00	8.00	3.50	3.50	25.50	14.00
DABPM1061-0204	1/8"-28	1/4"-19	8.00	12.00	3.50	5.00	30.00	19.00
DABPM1061-0402	1/4"-19	1/8"-28	11.00	8.00	4.00	4.00	37.50	19.00
DABPM1061-0404	1/4"-19	1/4"-19	11.00	12.00	4.70	4.70	32.00	19.00
DABPM1061-0406	1/4"-19	3/8"-19	11.00	12.00	4.70	8.00	34.00	22.00
DABPM1061-0408	1/4"-19	1/2"-14	11.00	14.00	4.70	11.20	39.00	27.00
DABPM1061-0412	1/4"-19	3/4"-14	11.00	16.00	4.70	16.70	40.00	32.00
DABPM1061-0602	3/8"-19	1/8"-28	12.00	8.00	7.90	4.00	30.00	22.00
DABPM1061-0604	3/8"-19	1/4"-19	12.00	12.00	7.90	6.00	34.50	22.00
DABPM1061-0606	3/8"-19	3/8"-19	12.00	12.00	7.90	7.90	35.00	22.00
DABPM1061-0608	3/8"-19	1/2"-14	12.00	14.00	7.90	12.00	37.00	27.00
DABPM1061-0612	3/8"-19	3/4"-14	12.00	16.00	7.90	16.70	43.50	32.00
DABPM1061-0616	3/8"-19	1"-11	12.00	18.00	7.90	22.20	47.50	41.00
DABPM1061-0804	1/2"-14	1/4"-19	14.00	12.00	11.10	5.00	40.00	27.00
DABPM1061-0806	1/2"-14	3/8"-19	14.00	12.00	11.10	9.00	40.00	27.00
DABPM1061-0808	1/2"-14	1/2"-14	14.00	14.00	11.10	11.10	42.00	27.00
DABPM1061-0812	1/2"-14	3/4"-14	14.00	16.00	11.10	16.70	43.00	32.00
DABPM1061-0816	1/2"-14	1"-11	14.00	18.00	11.10	20.00	49.50	41.00
DABPM1061-1008	5/8"-14	1/2"-14	16.00	14.00	14.00	14.00	44.00	30.00
DABPM1061-1012	5/8"-14	3/4"-14	16.00	16.00	14.00	16.70	45.00	32.00
DABPM1061-1208	3/4"-14	1/2"-14	16.00	14.00	16.70	11.10	44.50	32.00
DABPM1061-1212	3/4"-14	3/4"-14	16.00	16.00	16.70	16.70	47.00	32.00
DABPM1061-1216	3/4"-14	1"-11	16.00	18.00	16.70	22.20	52.50	41.00
DABPM1061-1612	1"-11	3/4"-14	19.00	16.00	22.20	18.00	52.50	41.00
DABPM1061-1616	1"-11	1"-11	19.00	18.00	22.20	22.20	54.50	41.00
DABPM1061-2012	1-1/4"-11	3/4"-14	20.00	16.00	28.60	16.70	52.50	50.00
DABPM1061-2020	1-1/4"-11	1-1/4"-11	20.00	20.00	28.60	28.60	56.50	50.00



DABPM1521

Straight Connector BSPP Male 60° Cone-Metric Male 60° Cone

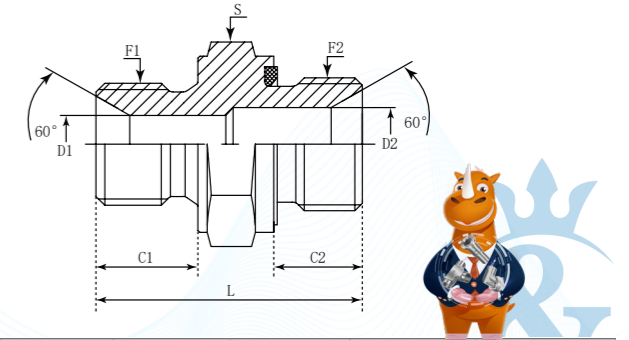
D	A	BP	M	1	521
Company	Product Range	Thread Types	Connection Type	Adaptor Structure	Thread Types
DME	Adaptor	BSPP	Male	Straight	Metric + ED

German Technology Equipment

SHIELD FLEX

New-Standard

- DME&JDE Code: **DABPM1521**
- Product Type: **Hydraulic adaptor**
- Standard: **BSP**
- Structure: **Straight**
- Connection Type: **Male x Male**
- Thread Types: **BSPP 60° Cone x Metric 60° Cone**
- Sealing Method: **ED Ring**



PART NUMBER	F1 (Thread)	F2 (Thread)	C1	C2	D1	D2	L	S
#	BSPP	Metric	mm	mm	mm	mm	mm	mm
DABPM1521-0414	1/4"-19	M14X1.5	11.00	12.00	4.70	6.00	32.50	19.00
DABPM1521-0418	1/4"-19	M18X1.5	11.00	12.00	4.70	9.00	33.00	24.00
DABPM1521-0614	3/8"-19	M14X1.5	12.00	12.00	6.50	6.50	35.00	22.00
DABPM1521-0618	3/8"-19	M18X1.5	12.00	12.00	7.90	7.90	35.00	24.00
DABPM1521-0622	3/8"-19	M22X1.5	12.00	14.00	7.90	12.00	37.00	27.00
DABPM1521-0818	1/2"-14	M18X1.5	14.00	12.00	11.10	19.00	37.00	27.00
DABPM1521-0824	1/2"-14	M24X1.5	14.00	14.00	11.10	15.00	42.00	30.00
DABPM1521-1222	3/4"-14	M22X1.5	16.00	14.00	16.70	12.00	44.00	32.00



DABTM107M

Straight Connector BSPT Male 60° - BSPT Male 60°

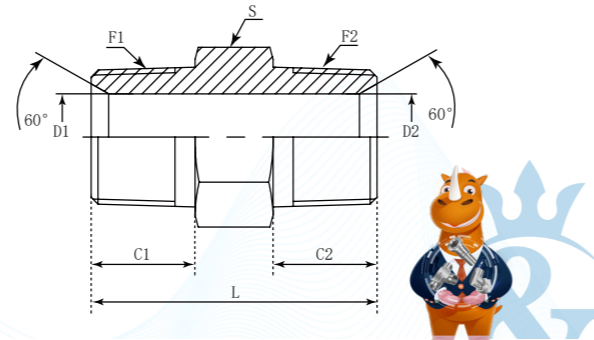
D	A	BT	M	1	07	M
Company	Product Range	Thread Types	Connection Type	Adaptor Structure	Thread Types	Connection Type
DME	Adaptor	BSPT	Male	Straight	BSPT	Male

German Technology Equipment

SHIELD FLEX

New-Standard

- DME&JDE Code: **DABTM107M**
- Product Type: **Hydraulic adaptor**
- Standard: **BSP**
- Structure: **Straight**
- Connection Type: **Male x Male**
- Thread Types: **BSPP 60° x BSPT 60°**



PART NUMBER	F1 (Thread)	F2 (Thread)	C1	C2	D1	D2	L	S
#	BSPP	BSPT	mm	mm	mm	mm	mm	mm
DABTM107M-0202	1/8"-28	1/8"-28	10.00	10.00	4.50	4.50	26.00	12.00
DABTM107M-0402	1/4"-19	1/8"-28	14.00	10.00	6.00	4.50	31.00	17.00
DABTM107M-0404	1/4"-19	1/4"-19	14.00	14.00	6.00	6.00	34.00	17.00
DABTM107M-0602	3/8"-19	1/8"-28	15.00	10.00	9.00	4.50	31.00	19.00
DABTM107M-0604	3/8"-19	1/4"-19	15.00	14.00	9.00	6.00	35.00	19.00
DABTM107M-0606	3/8"-19	3/8"-19	15.00	15.00	9.00	9.00	38.00	19.00
DABTM107M-0804	1/2"-14	1/4"-19	19.00	14.00	12.00	6.00	41.00	22.00
DABTM107M-0806	1/2"-14	3/8"-19	19.00	15.00	12.00	9.00	42.00	22.00
DABTM107M-0808	1/2"-14	1/2"-14	19.00	19.00	12.00	12.00	46.00	22.00
DABTM107M-1008	5/8"-14	1/2"-14	19.00	19.00	14.00	12.00	46.00	24.00
DABTM107M-1010	5/8"-14	5/8"-14	19.00	19.00	14.00	14.00	46.00	24.00
DABTM107M-1204	3/4"-14	1/4"-19	19.00	14.00	16.70	6.00	43.50	30.00
DABTM107M-1206	3/4"-14	3/8"-19	19.00	15.00	16.70	9.00	44.00	30.00
DABTM107M-1208	3/4"-14	1/2"-14	19.00	19.00	16.70	12.00	47.00	30.00
DABTM107M-1212	3/4"-14	3/4"-14	19.00	19.00	16.70	16.70	47.00	30.00
DABTM107M-1606	1"-11	3/8"-19	24.00	15.00	22.20	9.00	49.00	36.00
DABTM107M-1608	1"-11	1/2"-14	24.00	19.00	22.20	12.00	53.00	36.00
DABTM107M-1612	1"-11	3/4"-14	24.00	19.00	22.20	16.70	53.00	36.00
DABTM107M-1616	1"-11	1"-11	24.00	24.00	22.20	22.20	58.00	36.00
DABTM107M-2012	1-1/4"-11	3/4"-14	25.00	19.00	28.60	16.70	56.00	46.00
DABTM107M-2016	1-1/4"-11	1"-11	25.00	24.00	28.60	22.20	61.00	46.00
DABTM107M-2020	1-1/4"-11	1-1/4"-11	25.00	25.00	28.60	28.60	62.00	46.00
DABTM107M-2416	1-1/2"-11	1"-11	25.00	24.00	33.30	22.20	61.00	50.00
DABTM107M-2420	1-1/2"-11	1-1/4"-11	25.00	25.00	33.30	28.60	62.00	50.00
DABTM107M-2424	1-1/2"-11	1-1/2"-11	25.00	25.00	33.30	33.30	63.50	50.00
DABTM107M-3224	2"-11	1-1/2"-11	30.00	25.00	45.00	33.30	70.00	65.00
DABTM107M-3232	2"-11	2"-11	30.00	30.00	45.00	45.00	75.00	65.00

DABTM128M

Straight Connector BSPT Male 60° - NPTF Male 60°

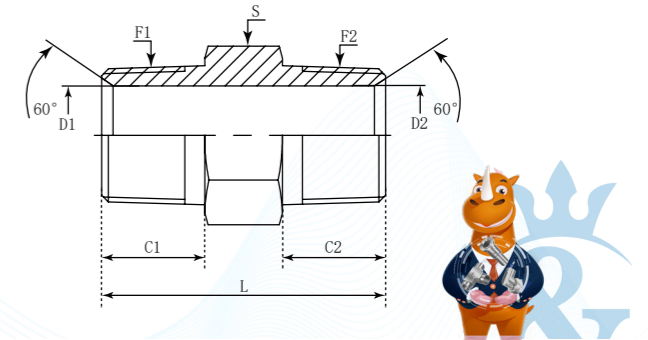
D	A	BT	M	1	28	M
Company	Product Range	Thread Types	Connection Type	Adaptor Structure	Thread Types	Connection Type
DME	Adaptor	BSPT	Male	Straight	NPTF	Male

German Technology Equipment

SHIELD FLEX

New-Standard

- DME&JDE Code: **DABTM128M**
- Product Type: **Hydraulic adaptor**
- Standard: **BSP**
- Structure: **Straight**
- Connection Type: **Male x Male**
- Thread Types: **BSPT 60° x NPTF 60°**



PART NUMBER	F1 (Thread)	F2 (Thread)	C1	C2	D1	D2	L	S
#	BSPT	NPTF	mm	mm	mm	mm	mm	mm
DABTM128M-0202	1/8"-28	1/8"-27	10.00	9.65	4.50	4.50	27.00	12.00
DABTM128M-0204	1/8"-27	1/4"-18	10.00	14.22	4.50	7.14	33.00	17.00
DABTM128M-0402	1/4"-19	1/8"-27	14.00	9.65	6.00	4.78	32.00	17.00
DABTM128M-0404	1/4"-19	1/4"-18	14.00	14.22	6.00	6.00	37.00	17.00
DABTM128M-0406	1/4"-19	3/8"-19	14.00	14.22	6.00	10.31	36.50	19.00
DABTM128M-0604	3/8"-19	1/4"-18	15.00	14.22	9.00	7.14	36.50	19.00
DABTM128M-0606	3/8"-19	3/8"-18	15.00	14.22	9.00	9.00	38.00	19.00
DABTM128M-0808	1/2"-14	1/2"-14	19.00	19.05	12.70	12.70	49.80	22.00
DABTM128M-1212	3/4"-14	3/4"-14	20.00	19.05	16.70	18.26	50.00	30.00
DABTM128M-1616	1"-11	1"-11-1/2	24.00	24.00	24.00	21.50	57.00	36.00
DABTM128M-2016	1-1/4"-11	1"-11-1/2	25.00	23.88	28.60	23.83	62.00	46.00
DABTM128M-2020	1-1/4"-11	1-1/4"-11-1/2	25.00	24.64	28.60	28.60	63.00	46.00
DABTM128M-2424	1-1/2"-11	1-1/2"-11-1/2	25.00	25.40	33.30	33.30	66.00	50.80
DABTM128M-3232	2"-11	2"-11-1/2	30.00	26.16	46.00	46.00	75.00	66.68
DABTM128M-4040	2-1/2"-11	2"-1/2-8	36.00	38.86	58.00	58.00	95.50	82.55

DABTM1305

Straight Connector BSPT Male 60° – SAE Male + O Ring

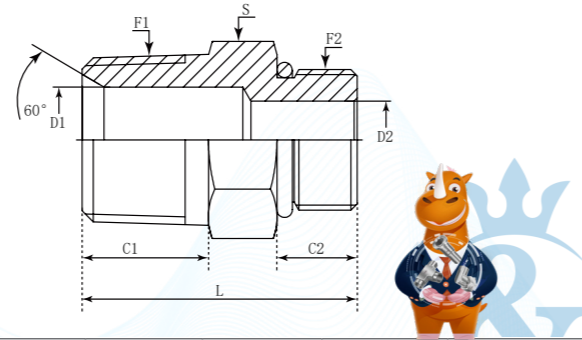
D	A	BT	M	1	30	5
Company	Product Range	Thread Types	Connection Type	Adaptor Structure	Thread Types	Connection Type
DME	Adaptor	BSPT	Male	Straight	SAE	Male + O Ring

German Technology Equipment

SHIELD FLEX

New-Standard

- DME&JDE Code: **DABTM1305**
- Product Type: **Hydraulic adaptor**
- Standard: **BSP**
- Structure: **Straight**
- Connection Type: **Male x Male**
- Thread Types: **BSPT 60° x SAE Male**
- Sealing Method: **O Ring**



PART NUMBER	F1 (Thread)	F2 (Thread)	C1	C2	D1	D2	L	S
#	BSPP	BSPP	mm	mm	mm	mm	mm	mm
DABTM1305-0205	1/8"-28	1/2"-20	10.00	9.14	4.50	5.94	28.00	17.00
DABTM1305-0206	1/8"-28	9/16"-18	10.00	9.93	4.50	7.54	28.50	17.00
DABTM1305-0404	1/4"-19	7/16"-20	14.00	9.14	6.00	4.37	30.00	14.00
DABTM1305-0406	1/4"-19	9/16"-18	14.00	9.93	6.00	7.54	30.00	19.00
DABTM1305-0408	1/4"-19	3/4"-16	14.00	11.13	6.00	9.93	33.50	22.00
DABTM1305-0410	1/4"-19	7/8"-14	14.00	12.70	6.00	12.29	35.00	27.00
DABTM1305-0604	3/8"-19	7/16"-20	15.00	9.14	9.00	4.37	32.00	19.00
DABTM1305-0606	3/8"-19	9/16"-18	15.00	9.93	9.00	7.54	31.00	19.00
DABTM1305-0608	3/8"-19	3/4"-16	15.00	11.13	9.00	9.00	34.00	22.00
DABTM1305-0610	3/8"-19	7/8"-14	15.00	12.70	9.00	12.29	37.50	27.00
DABTM1305-0806	1/2"-14	9/16"-18	19.00	9.93	12.00	7.54	37.00	22.00
DABTM1305-0808	1/2"-14	3/4"-16	19.00	11.13	12.00	9.93	38.00	22.00
DABTM1305-0810	1/2"-14	7/8"-14	19.00	12.70	12.00	12.00	42.50	27.00
DABTM1305-0812	1/2"-14	1-1/16"-12	19.00	15.09	12.00	15.47	46.00	32.00
DABTM1305-0816	1/2"-14	1-5/16"-12	19.00	15.09	12.00	21.44	46.80	38.00
DABTM1305-1210	3/4"-14	7/8"-14	20.00	12.70	16.70	12.29	44.00	30.00
DABTM1305-1212	3/4"-14	1-1/16"-12	20.00	15.09	16.70	15.47	47.00	32.00
DABTM1305-1216	3/4"-14	1-5/16"-12	20.00	15.09	16.70	21.44	47.00	38.00
DABTM1305-1612	1"-11	1-1/16"-12	24.00	15.09	22.20	15.47	51.00	38.00
DABTM1305-1616	1"-11	1-5/16"-12	24.00	15.09	22.20	21.44	51.00	38.00
DABTM1305-1620	1"-11	1-5/8"-12	24.00	15.09	22.20	27.38	55.50	50.00
DABTM1305-2016	1-1/4"-11	5-1/16"-12	25.00	15.09	28.60	21.44	54.50	46.00
DABTM1305-2020	1-1/4"-11	1-5/8"-12	25.00	15.09	28.60	27.38	55.50	50.00
DABTM1305-2024	1-1/4"-11	1-7/8"-12	25.00	15.09	28.60	33.30	57.50	55.00
DABTM1305-2424	1-1/2"-11	1-7/8"-12	25.00	15.09	33.30	33.30	57.50	55.00

DABPM1000

Male Plug BSPP Male 60°

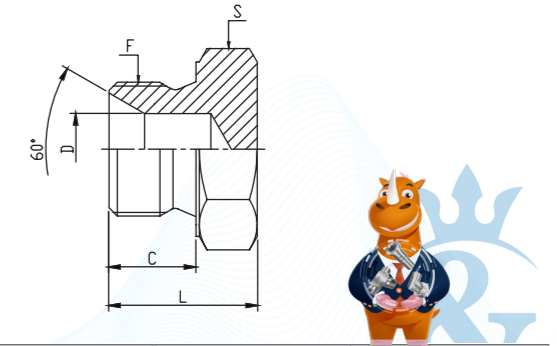
D	A	BP	M	1	000
Company	Product Range	Thread Types	Connection Type	Adaptor Structure	Other Features
DME	Adaptor	BSPP	Male	Straight	Nut/Plug

German Technology Equipment

SHIELD FLEX

New-Standard

- DME&JDE Code: **DABPM1000**
- Product Type: **Hydraulic adaptor**
- Standard: **BSP**
- Connection Type: **Male x Male**
- Thread Types: **BSPP 60°**
- Other Features: **Nut/Plug**



PART NUMBER	F (Thread)	C	D	L	S
#	BSPP	mm	mm	mm	mm
DABPM1000-0200	1/8"-28	8.00	3.50	16.00	14.00
DABPM1000-0400	1/4"-19	11.00	4.70	18.00	19.00
DABPM1000-0600	3/8"-19	12.00	7.90	20.00	22.00
DABPM1000-0800	1/2"-14	14.00	11.10	24.00	27.00
DABPM1000-1000	5/8"-14	16.00	14.00	26.00	30.00
DABPM1000-1200	3/4"-14	16.00	16.70	27.00	32.00
DABPM1000-1600	1"-11	19.00	22.20	32.00	41.00
DABPM1000-2000	1-1/4"-11	20.00	28.60	34.00	50.00
DABPM1000-2400	1-1/2"-11	22.00	33.30	39.00	55.00
DABPM1000-3200	2"-11	25.00	46.00	45.00	70.00



DABPM1000-ED

Male Plug BSPP Male 60° ED Seal

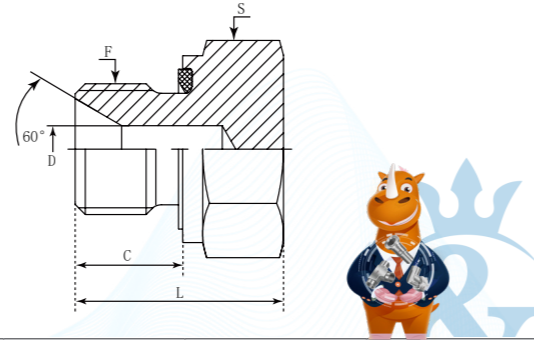
D	A	BP	M	1	000	ED
Company	Product Range	Thread Types	Connection Type	Adaptor Structure	Other Features	Sealing Type
DME	Adaptor	BSPP	Male	Straight	Nut/Plug	ED Ring

German Technology Equipment

SHIELD FLEX

New-Standard

- DME&JDE Code: **DABPM1000-ED**
- Product Type: **Hydraulic adaptor**
- Standard: **BSP**
- Sealing Type: **ED Seal**
- Connection Type: **Male x Male**
- Thread Types: **BSPP 60°**
- Other Features: **Nut/Plug**



PART NUMBER	F (Thread)	C	D	L	S
#	BSPP	mm	mm	mm	mm
DABPM1000-0200ED	1/8"-28	8.00	3.50	15.50	14.00
DABPM1000-0400ED	1/4"-19	12.00	4.70	20.00	19.00
DABPM1000-0600ED	3/8"-19	12.00	7.90	20.00	22.00
DABPM1000-0800ED	1/2"-14	14.00	11.00	25.00	27.00
DABPM1000-1200ED	3/4"-14	16.00	16.70	29.00	32.00
DABPM1000-2400ED	1-1/2"-11	22.00	33.30	39.00	55.00
DABPM1000-3200ED	2"-11	22.00	46.00	41.00	70.00

DABT21000-HHP

Male Plug with Hexagon Socket Head BSPT

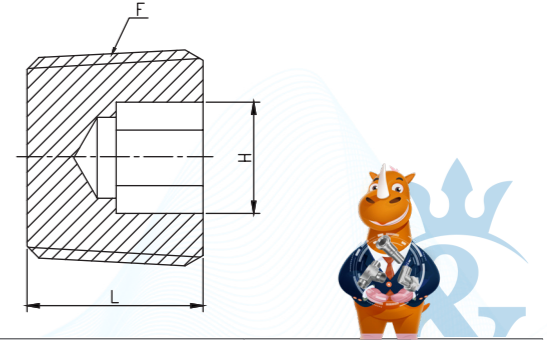
D	A	BT	2	1	000	HHP
Company	Product Range	Thread Types	Plug Type	Adaptor Structure	Thread Types	Plug Head Type
DME	Adaptor	BSPT	Socket	Straight	Nut/Plug	Hexagon Head

German Technology Equipment

SHIELD FLEX

New-Standard

- DME&JDE Code: **DABT21000-HHP**
- Product Type: **Hydraulic adaptor**
- Standard: **BSP**
- Connection Type: **Male**
- Thread Type: **BSPT**
- Other Features: **Nut/Plug**
- Plug Type: **Male Plug with Hexagon Socket Head**



PART NUMBER	F (Thread)	L	H
#	BSPT	mm	mm
DABT21000-HHP-0200	1/8"-28	8.00	5.00
DABT21000-HHP-0600	3/8"-19	10.00	8.00
DABT21000-HHP-0800	1/2"-14	10.00	10.00
DABT21000-HHP-1200	3/4"-14	12.00	12.00
DABT21000-HHP-1600	1"-11	12.00	17.00
DABT21000-HHP-2000	1 1/4"-11	18.00	22.00
DABT21000-HHP-2400	1 1/2"-11	20.00	24.00
DABT21000-HHP-3200	2"-11	22.00	32.00

DABPM105F

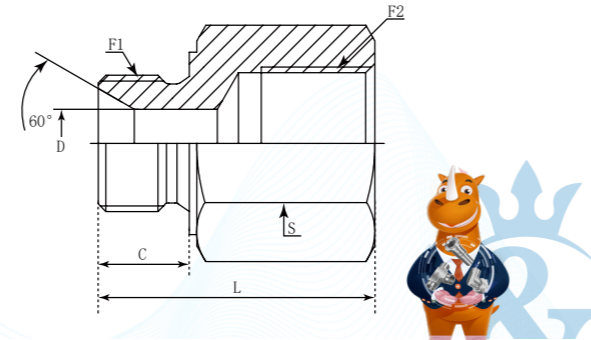
Straight Connector BSPP Male 60° – BSPP Fixed Female

D	A	BP	M	1	05	F
Company	Product Range	Thread Types	Connection Type	Adaptor Structure	Thread Types	Connection Type
DME	Adaptor	BSPP	Male	Straight	BSPP	Fixed Female

German Technology Equipment

New-Standard

- DME&JDE Code: **DABPM105F**
- Product Type: **Hydraulic adaptor**
- Standard: **BSP**
- Structure: **Straight**
- Connection Type: **Male × Fixed Female**
- Thread Types: **BSPP 60° Cone × BSPP**



PART NUMBER	F1 (Thread)	F2 (Thread)	C	D	L	S
#	BSPP	BSPP	mm	mm	mm	mm
DABPM105F-0202	1/8"-28	1/8"-28	8.00	4.50	22.50	14.00
DABPM105F-0204	1/8"-28	1/4"-19	8.00	3.50	26.00	19.00
DABPM105F-0206	1/8"-28	3/8"-19	9.00	3.50	27.00	22.00
DABPM105F-0402	1/4"-19	1/8"-28	11.00	4.70	26.50	19.00
DABPM105F-0404	1/4"-19	1/4"-19	11.00	4.70	30.00	19.00
DABPM105F-0406	1/4"-19	3/8"-19	11.00	4.70	31.00	22.00
DABPM105F-0408	1/4"-19	1/2"-14	11.00	4.70	35.00	27.00
DABPM105F-0604	3/8"-19	1/4"-19	12.00	7.90	31.00	22.00
DABPM105F-0606	3/8"-19	3/8"-19	12.00	7.90	31.00	22.00
DABPM105F-0608	3/8"-19	1/2"-14	12.00	7.90	38.00	27.00
DABPM105F-0612	3/8"-19	3/4"-14	12.00	7.90	40.00	32.00
DABPM105F-0804	1/2"-14	1/4"-19	14.00	11.10	33.00	27.00
DABPM105F-0806	1/2"-14	3/8"-19	14.00	11.10	33.00	27.00
DABPM105F-0808	1/2"-14	1/2"-14	14.00	11.10	38.00	27.00
DABPM105F-0812	1/2"-14	3/4"-14	14.00	11.10	42.00	32.00
DABPM105F-0816	1/2"-14	1"-11	14.00	11.10	46.00	41.00
DABPM105F-1206	3/4"-14	3/8"-19	16.00	16.70	36.00	32.00
DABPM105F-1208	3/4"-14	1/2"-14	16.00	16.70	40.00	32.00
DABPM105F-1212	3/4"-14	3/4"-14	16.00	16.70	42.00	32.00
DABPM105F-1216	3/4"-14	1"-11	16.00	16.70	48.00	41.00
DABPM105F-1220	3/4"-14	1-1/4"-11	16.00	16.70	49.00	50.00
DABPM105F-1224	3/4"-14	1-1/2"-14	16.00	16.70	52.00	55.00
DABPM105F-1608	1"-11	1/2"-14	19.00	18.63	42.00	41.00
DABPM105F-1612	1"-11	3/4"-14	19.00	22.20	46.00	41.00
DABPM105F-1616	1"-11	1"-11	19.00	22.20	51.00	41.00
DABPM105F-1620	1"-11	1-1/4"-11	19.00	22.20	53.00	50.00
DABPM105F-2012	1-1/4"-11	3/4"-14	20.00	24.12	45.00	50.00
DABPM105F-2016	1-1/4"-11	1"-11	20.00	28.60	53.00	50.00
DABPM105F-2020	1-1/4"-11	1-1/4"-11	20.00	28.60	55.00	50.00
DABPM105F-2024	1-1/4"-11	1-1/2"-11	20.00	28.60	56.00	55.00
DABPM105F-2420	1-1/2"-11	1-1/4"-11	22.00	33.30	59.00	55.00
DABPM105F-2424	1-1/2"-11	1-1/2"-11	22.00	33.30	56.00	55.00
DABPM105F-3224	2"-11	1-1/2"-11	25.00	44.85	59.00	70.00
DABPM105F-3232	2"-11	2"-11	25.00	45.00	65.00	70.00

DABPM105FR

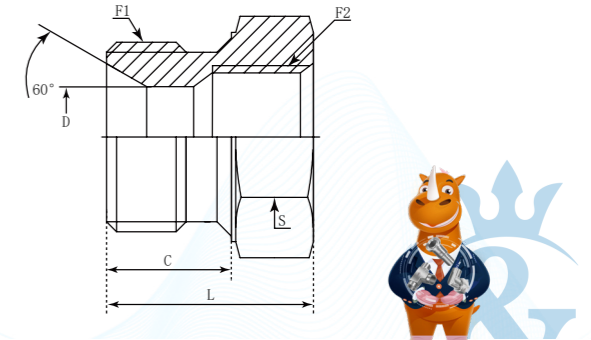
Straight Bushing Connector BSPP Male 60° – BSPP Fixed Female

D	A	BP	M	1	05	F	R
Company	Product Range	Thread Types	Connection Type	Adaptor Structure	Thread Types	Connection Type	Other Features
DME	Adaptor	BSPP	Male	Straight	NPTF	Fixed Female	Bushing

German Technology Equipment

New-Standard

- DME&JDE Code: **DABPM105FR**
- Product Type: **Hydraulic adaptor**
- Standard: **BSP**
- Structure: **Straight**
- Connection Type: **Male × Fixed Female**
- Thread Types: **BSPP 60° Cone × BSPP**
- Other Features: **Bushing**



PART NUMBER	F1 (Thread)	F2 (Thread)	C	D	L	S
#	BSPP	BSPP	mm	mm	mm	mm
DABPM105FR-0402	1/4"-19	1/8"-28	11.00	4.70	20.00	19.00
DABPM105FR-0602	3/8"-19	1/8"-28	12.00	7.90	20.00	22.00
DABPM105FR-0604	3/8"-19	1/4"-19	14.50	7.90	21.00	22.00
DABPM105FR-0804	1/2"-14	1/4"-19	14.00	11.10	24.00	27.00
DABPM105FR-0806	1/2"-14	3/8"-19	14.00	11.10	24.00	27.00
DABPM105FR-1204	3/4"-14	1/4"-19	16.00	16.70	26.00	32.00
DABPM105FR-1206	3/4"-14	3/8"-19	16.00	16.70	26.00	32.00
DABPM105FR-1604	1"-11	1/4"-19	19.00	22.20	30.00	41.00
DABPM105FR-1606	1"-11	3/8"-19	19.00	22.20	30.00	41.00
DABPM105FR-1608	1"-11	1/2"-14	19.00	22.20	30.00	41.00
DABPM105FR-1612	1"-11	3/4"-14	19.00	22.20	30.00	41.00
DABPM105FR-2008	1-1/4"-11	1/2"-14	20.00	28.60	33.00	50.00
DABPM105FR-2012	1-1/4"-11	3/4"-14	20.00	28.60	33.00	50.00
DABPM105FR-2016	1-1/4"-11	1"-11	20.00	28.60	35.00	50.00
DABPM105FR-2408	1-1/2"-11	1/2"-14	22.00	33.30	38.00	55.00
DABPM105FR-2416	1-1/2"-11	1"-11	22.00	33.30	38.00	55.00
DABPM105FR-2420	1-1/2"-11	1-1/4"-11	22.00	33.30	38.00	55.00

DABPM128F

Straight Connector BSPP Male 60° - NPTF Female

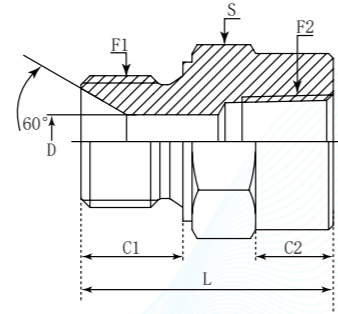
D	A	BP	M	1	28	F
Company	Product Range	Thread Types	Connection Type	Adaptor Structure	Thread Types	Connection Type
DME	Adaptor	BSPP	Male	Straight	NPTF	Female

German Technology Equipment

SHIELD FLEX

New-Standard

- DME&JDE Code: **DABPM128F**
- Product Type: **Hydraulic adaptor**
- Standard: **BSP**
- Structure: **Straight**
- Connection Type: **Male x Female**
- Thread Types: **BSPP 60° x NPTF**



PART NUMBER	F1 (Thread)	F2 (Thread)	C1	C2	D	L	S
#	BSPP	NPTF	mm	mm	mm	mm	mm
DABPM128F-0202	1/8"-28	1/8"-27	9.00	6.35	3.50	24.50	16.00
DABPM128F-0204	1/8"-28	1/4"-18	9.00	10.92	3.50	29.00	19.05
DABPM128F-0402	1/4"-19	1/8"-27	11.00	6.35	4.70	26.00	19.00
DABPM128F-0404	1/4"-19	1/4"-18	11.00	10.90	4.70	31.00	19.00
DABPM128F-0406	1/4"-19	3/8"-18	11.00	10.92	4.70	32.50	22.00
DABPM128F-0408	1/4"-19	1/2"-14	11.00	14.22	4.70	39.00	28.58
DABPM128F-0604	3/8"-19	1/4"-18	12.00	10.92	7.90	32.50	22.00
DABPM128F-0606	3/8"-19	3/8"-18	12.00	10.92	7.90	32.50	22.23
DABPM128F-0608	3/8"-19	1/2"-14	12.00	14.22	7.90	40.00	28.58
DABPM128F-0804	1/2"-14	1/4"-18	14.00	10.92	11.10	35.50	27.00
DABPM128F-0806	1/2"-14	3/8"-18	14.00	10.92	11.10	34.00	27.00
DABPM128F-0808	1/2"-14	1/2"-14	14.00	14.22	11.10	38.90	28.58
DABPM128F-1208	3/4"-14	1/2"-14	16.00	14.22	16.70	41.60	32.00
DABPM128F-1212	3/4"-14	3/4"-14	16.00	14.22	16.70	42.50	36.00
DABPM128F-1612	1"-11	3/4"-14	19.00	14.22	22.20	49.00	41.28
DABPM128F-1616	1"-11	1"-11-1/2	19.00	17.53	22.20	34.00	41.28
DABPM128F-2016	1-1/4"-11	1"-11-1/2	20.00	17.53	28.60	51.00	50.80
DABPM128F-2020	1-1/4"-11	1-1/4"-11-1/2	20.00	17.53	28.60	60.00	50.80
DABPM128F-2420	1-1/2"-11	1-1/4"-11-1/2	22.00	17.53	33.30	57.50	55.00
DABPM128F-2424	1-1/2"-11	1-1/2"-11-1/2	22.00	17.53	33.30	58.00	60.33
DABPM128F-3224	2"-11	1-1/2"-11-1/2	25.00	17.53	46.00	63.50	70.00
DABPM128F-3232	2"-11	2"-11-1/2	25.00	16.00	46.00	67.00	70.00
DABPM128F-4040	2-1/2"-11	2-1/2"-8	32.00	19.50	58.00	78.50	90.00



DABPM107F

Straight Connector BSPP Male 60° Cone-BSPT Female Cone

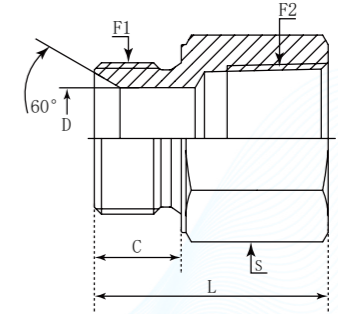
D	A	BP	M	1	07	F
Company	Product Range	Thread Types	Connection Type	Adaptor Structure	Thread Types	Connection Type
DME	Adaptor	BSPP	Male	Straight	BSPT	Female

German Technology Equipment

SHIELD FLEX

New-Standard

- DME&JDE Code: **DABPM107F**
- Product Type: **Hydraulic adaptor**
- Standard: **BSP**
- Structure: **Straight**
- Connection Type: **Male x Female**
- Thread Types: **BSPP 60° Cone x BSPT Cone**



PART NUMBER	F1 (Thread)	F2 (Thread)	C	D	L	S
#	BSPP	BSPT	mm	mm	mm	mm
DABPM107F-0402	1/4"-19	1/8"-28	11.00	4.70	32.00	19.00
DABPM107F-0404	1/4"-19	1/4"-19	11.00	4.70	32.50	19.00
DABPM107F-0604	3/8"-19	1/4"-19	12.00	7.90	34.00	22.00
DABPM107F-0606	3/8"-19	3/8"-19	12.00	7.90	31.00	22.00
DABPM107F-0808	1/2"-14	1/2"-14	14.00	11.10	42.50	27.00
DABPM107F-1212	3/4"-14	3/4"-14	16.00	16.70	46.50	32.00



DABPM1081

Straight Connector BSPP Male 60° - BSPP Swivel Female 60°

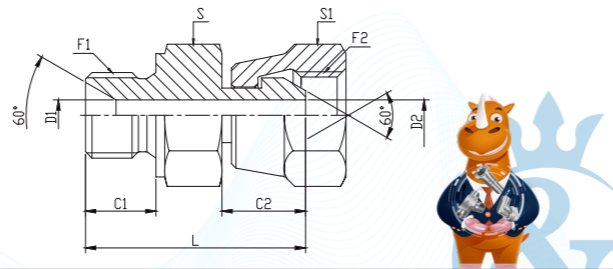
D	A	BP	M	1	081
Company	Product Range	Thread Types	Connection Type	Adaptor Structure	Connection Type
DME	Adaptor	BSPP	Male	Straight	BSPP Swivel Female

German Technology Equipment

SHIELD FLEX

New-Standard

- DME&JDE Code: **DABPM1081**
- Product Type: **Hydraulic adaptor**
- Standard: **BSP**
- Structure: **Straight**
- Connection Type: **Male x Swivel Female**
- Thread Types: **BSPP 60° x BSPP Cone**



PART NUMBER	F1 (Thread)	F2 (Thread)	C1	C2	D1	D2	L	S	S1
#	BSPP	BSPP	mm	mm	mm	mm	mm	mm	mm
DABPM1081-0202	1/8"-28	1/8"-28	8.00	9.50	3.50	3.50	23.00	14.00	14.00
DABPM1081-0204	1/8"-28	1/4"-19	9.00	11.50	3.50	4.70	28.00	14.00	19.00
DABPM1081-0402	1/4"-19	1/8"-28	11.00	9.50	4.70	3.50	28.50	19.00	14.00
DABPM1081-0404	1/4"-19	1/4"-19	11.00	11.50	4.70	4.70	29.50	19.00	19.00
DABPM1081-0406	1/4"-19	3/8"-19	11.00	12.50	4.70	7.10	33.00	19.00	22.00
DABPM1081-0408	1/4"-19	1/2"-14	11.00	15.00	4.70	11.10	34.50	22.00	27.00
DABPM1081-0412	1/4"-19	3/4"-14	11.00	17.50	4.70	16.70	40.00	27.00	32.00
DABPM1081-0604	3/8"-19	1/4"-19	12.00	11.50	7.90	4.50	33.00	22.00	19.00
DABPM1081-0606	3/8"-19	3/8"-19	12.00	12.50	7.0	7.00	32.50	22.00	22.00
DABPM1081-0608	3/8"-19	1/2"-14	12.00	15.00	7.90	11.10	36.00	22.00	27.00
DABPM1081-0612	3/8"-19	3/4"-14	12.00	17.50	7.90	16.70	38.50	27.00	32.00
DABPM1081-0804	1/2"-14	1/4"-19	14.00	11.50	11.10	4.70	36.50	27.00	19.00
DABPM1081-0806	1/2"-14	3/8"-19	14.00	12.50	11.10	7.10	37.50	27.00	22.00
DABPM1081-0808	1/2"-14	1/2"-14	14.00	15.00	11.10	11.10	39.00	27.00	27.00
DABPM1081-0810	1/2"-14	5/8"-14	14.00	15.50	11.10	14.00	40.00	27.00	30.00
DABPM1081-0812	1/2"-14	3/4"-14	14.00	17.50	11.10	16.70	43.00	27.00	32.00
DABPM1081-0816	1/2"-14	1"-11	14.00	19.50	11.10	20.40	43.50	36.00	41.00
DABPM1081-1008	5/8"-14	1/2"-14	16.00	15.00	14.00	9.70	38.50	30.00	27.00
DABPM1081-1010	5/8"-14	5/8"-14	16.00	15.50	14.00	14.00	42.00	30.00	30.00
DABPM1081-1012	5/8"-14	3/4"-14	16.00	17.50	14.00	16.00	41.00	30.00	32.00
DABPM1081-1206	3/4"-14	3/8"-19	16.00	12.50	16.70	7.90	39.00	32.00	22.00
DABPM1081-1208	3/4"-14	1/2"-14	16.00	15.00	16.70	11.10	42.50	32.00	27.00
DABPM1081-1210	3/4"-14	5/8"-14	16.00	15.50	16.70	12.00	42.00	32.00	30.00
DABPM1081-1212	3/4"-14	3/4"-14	16.00	17.50	16.70	16.70	45.00	32.00	32.00
DABPM1081-1216	3/4"-14	1"-11	16.00	19.50	16.70	22.20	47.50	36.00	41.00
DABPM1081-1220	3/4"-14	1 1/4"-11	16.00	21.00	16.70	28.60	51.50	41.00	50.00
DABPM1081-1608	1"-11	1/2"-14	19.00	15.00	22.20	11.10	47.50	41.00	27.00
DABPM1081-1612	1"-11	3/4"-14	19.00	17.50	22.20	15.50	50.00	41.00	32.00
DABPM1081-1616	1"-11	1"-11	19.00	19.50	22.20	22.20	53.50	41.00	41.00
DABPM1081-1620	1"-11	1-1/4"-11	19.00	21.00	22.20	26.00	53.50	41.00	50.00
DABPM1081-2012	1-1/4"-11	3/4"-14	20.00	17.50	28.60	16.70	51.00	50.00	32.00
DABPM1081-2016	1-1/4"-11	1"-11	20.00	19.50	28.60	22.20	53.00	50.00	41.00
DABPM1081-2020	1-1/4"-11	1-1/4"-11	20.00	21.00	28.60	28.60	54.40	50.00	50.00
DABPM1081-2024	1-1/4"-11	1-1/2"-11	20.00	22.00	28.60	33.30	55.50	50.00	55.00
DABPM1081-2416	1-1/2"-11	1"-11	22.00	19.50	33.30	22.20	55.00	55.00	41.00
DABPM1081-2420	1-1/2"-11	1-1/4"-11	22.00	21.00	33.30	26.00	57.50	55.00	50.00
DABPM1081-2424	1-1/2"-11	1-1/2"-11	22.00	22.00	33.30	33.30	58.50	55.00	55.00
DABPM1081-2432	1-1/2"-11	2"-11	22.00	23.00	33.30	44.00	61.50	60.00	70.00
DABPM1081-3232	2"-11	2"-11	25.00	23.00	46.00	46.00	69.00	70.00	70.00



DABPM1251

Straight Connector BSP Male 60° - JIC Swivel Female 74°

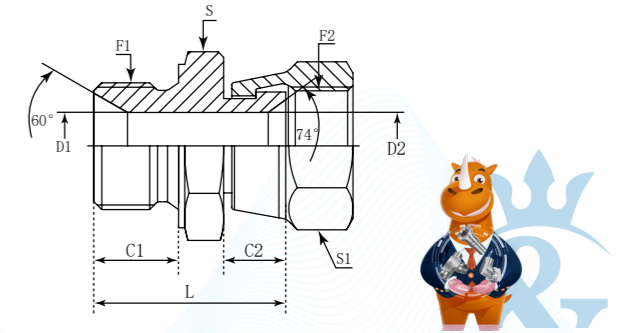
D	A	BP	M	1	251
Company	Product Range	Thread Types	Connection Type	Adaptor Structure	Thread Types
DME	Adaptor	BSPP	Male	Straight	JIC Swivel Female

German Technology Equipment

SHIELD FLEX

New-Standard

- DME&JDE Code: **DABPM1251**
- Product Type: **Hydraulic adaptor**
- Standard: **BSP**
- Structure: **Straight**
- Connection Type: **Male x Swivel Female**
- Thread Types: **BSPP 60° x JIC 74° Cone**



PART NUMBER	F1 (Thread)	F2 (Thread)	C1	C2	D1	D2	L	S	S1
#	BSPP	UNF	mm	mm	mm	mm	mm	mm	mm
DABPM1251-0204	1/8"-28	7/16"-20	9.00	8.50	3.50	4.37	25.00	14.00	17.00
DABPM1251-0205	1/8"-28	1/2"-20	9.00	8.50	3.50	5.94	25.00	14.00	17.00
DABPM1251-0206	1/8"-28	9/16"-18	9.00	9.50	3.50	7.54	25.00	14.00	19.00
DABPM1251-0404	1/4"-19	7/16"-20	11.00	8.50	4.37	4.37	27.50	19.00	17.00
DABPM1251-0405	1/4"-19	1/2"-20	11.00	8.50	4.70	5.94	28.00	19.00	17.00
DABPM1251-0406	1/4"-19	9/16"-18	11.00	9.50	4.70	7.54	29.00	19.00	19.00
DABPM1251-0408	1/4"-19	3/4"-16	11.00	10.50	4.70	9.93	30.00	19.00	24.00
DABPM1251-0605	3/8"-19	1/2"-20	12.00	8.50	7.90	5.94	31.00	22.00	17.00
DABPM1251-0606	3/8"-19	9/16"-18	12.00	9.50	7.54	7.54	32.00	22.00	19.00
DABPM1251-0608	3/8"-19	3/4"-16	12.00	10.50	7.90	9.90	31.50	22.00	24.00
DABPM1251-0610	3/8"-19	7/8"-14	12.00	11.50	7.90	12.29	34.50	22.00	27.00
DABPM1251-0804	1/2"-14	7/16"-20	14.00	8.50	11.10	4.37	33.00	27.00	17.00
DABPM1251-0806	1/2"-14	9/16"-18	14.00	9.50	11.10	7.54	33.00	27.00	19.00
DABPM1251-0808	1/2"-14	3/4"-16	14.00	10.50	11.10	9.93	36.50	27.00	24.00
DABPM1251-0810	1/2"-14	7/8"-14	14.00	11.50	11.10	11.10	36.50	27.00	27.00
DABPM1251-0812	1/2"-14	1-1/16"-12	14.00	13.50	11.10	15.50	36.50	27.00	32.00
DABPM1251-0816	1/2"-14	1-5/16"-12	14.00	13.50	11.10	21.44	39.00	32.00	41.00
DABPM1251-1006	5/8"-14	9/16"-18	16.00	9.91	14.00	7.54	36.00	30.00	19.00
DABPM1251-1008	5/8"-14	3/4"-16	16.00	10.50	14.00	9.93	36.50	30.00	24.00
DABPM1251-1010	5/8"-14	7/8"-14	16.00	11.50	14.00	12.30	37.50	30.00	27.00
DABPM1251-1012	5/8"-14	1-1/16"-12	16.00	13.50	14.00	14.00	41.50	30.00	32.00
DABPM1251-1016	5/8"-14	1-5/16"-12	16.00	14.37	14.00	21.44	41.50	34.93	41.00
DABPM1251-1208	3/4"-14	3/4"-16	16.00	10.50	16.70	9.93	37.00	32.00	24.00
DABPM1251-1210	3/4"-14	7/8"-14	16.00	11.50	16.70	12.30	39.00	32.00	27.00
DABPM1251-1212	3/4"-14	1-1/16"-12	16.00	13.50	15.47	15.47	42.50	32.00	32.00
DABPM1251-1214	3/4"-14	1-3/16"-12	16.00	13.61	16.00	16.00	40.00	32.00	36.00
DABPM1251-1216	3/4"-14	1-5/16"-12	16.00	13.50	16.70	21.44	41.00	32.00	41.00
DABPM1251-1220	3/4"-14	1-5/8"-12	16.00	15.50	16.70	27.38	42.50	41.00	50.00
DABPM1251-1612	1"-11	1-1/16"-12	19.00	13.50	22.20	15.47	43.50	41.00	32.00
DABPM1251-1614	1"-11	1-3/16"-12	19.00	13.61	22.20	18.26	43.50	41.00	36.00
DABPM1251-1616	1"-11	1-5/16"-12	19.00	13.50	21.40	21.40	43.50	41.00	41.00
DABPM1251-1620	1"-11	1-5/8"-12	19.00	15.50	22.20	27.38	45.50	41.00	50.00
DABPM1251-2020	1-1/4"-11	1-5/8"-12	20.00	15.75	27.42	27.42	50.00	50.00	50.00
DABPM1251-2024	1-1/4"-11	1-7/8"-12	20.00	17.53	28.60	33.32	52.50	50.00	55.00
DABPM1251-2420	1-1/2"-11	1-5/8"-12	22.00	15.75	33.30	27.42	53.00	55.00	50.00
DABPM1251-2424	1-1/2"-11	1-7/8"-12	22.00	16.00	33.30	33.30	53.00	55.00	55.00
DABPM1251-2432	1-1/2"-11	2-1/2"-12	22.00	19.80	33.30	45.24	59.00	65.00	75.00
DABPM1251-3224	2"-11	1-7/8"-12	25.00	16.00	46.00	33.32	59.50	70.00	55.00
DABPM1251-3232	2"-11	2-1/2"-12	25.00	16.50	45.00	45.00	60.00	70.00	75.00



DABTM107F

Straight Connector BSPT Male 60°- BSPT Fixed Female

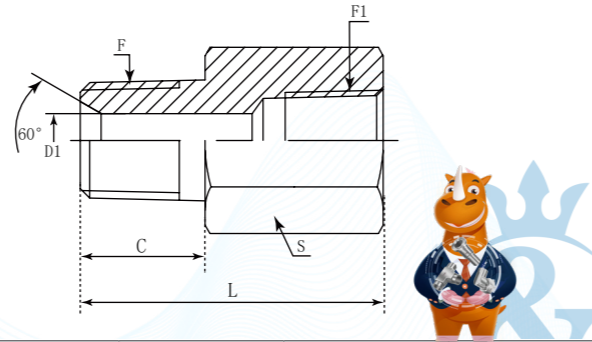
D	A	BT	M	1	07	F
Company	Product Range	Thread Types	Connection Type	Adaptor Structure	Thread Types	Connection Type
DME	Adaptor	BSPT	Male	Straight	BSPT	Female

German Technology Equipment

SHIELD FLEX

New-Standard

- DME&JDE Code: **DABTM107F**
- Product Type: **Hydraulic adaptor**
- Standard: **BSP**
- Structure: **Straight**
- Connection Type: **Male x Female**
- Thread Types: **BSPT 60° x BSPT Fixed Female**



PART NUMBER	F (Thread)	F1 (Thread)	C	D	L	S
#	BSPT	BSPT	mm	mm	mm	mm
DABTM107F-0204	1/8"-28	1/4"-19	10.00	4.50	30.73	19.00
DABTM107F-0404	1/4"-19	1/4"-19	14.00	6.00	34.00	19.00
DABTM107F-0406	1/4"-19	3/8"-19	14.00	6.00	35.50	22.00
DABTM107F-0408	1/4"-19	1/2"-14	14.00	6.00	41.00	27.00
DABTM107F-0606	3/8"-19	3/8"-19	15.00	9.00	36.00	22.00
DABTM107F-0608	3/8"-19	1/2"-14	15.00	9.00	42.00	27.00
DABTM107F-0806	1/2"-14	3/8"-19	19.00	12.00	40.00	22.00
DABTM107F-0812	1/2"-14	3/4"-14	19.00	12.00	48.00	33.00
DABTM107F-1216	3/4"-14	1"-11	20.00	16.70	54.00	41.00
DABTM107F-1620	1"-11	1-1/4"-11	24.00	22.20	63.00	50.00



DABTM107FR

Straight Bushing Connector BSPT Male 60° - BSPT Fixed Female

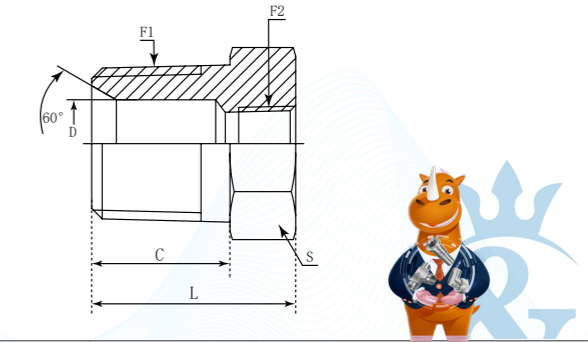
D	A	BT	M	1	07	FR
Company	Product Range	Thread Types	Connection Type	Adaptor Structure	Thread Types	Connection Type
DME	Adaptor	BSPT	Male	Straight	BSPT	Fixed Female

German Technology Equipment

SHIELD FLEX

New-Standard

- DME&JDE Code: **DABTM107FR**
- Product Type: **Hydraulic adaptor**
- Standard: **BSP**
- Structure: **Straight**
- Connection Type: **Male x Fixed Female**
- Thread Types: **BSPT 60° x BSPT**



PART NUMBER	F1 (Thread)	F2 (Thread)	C	D	L	S
#	BSPT	BSPT	mm	mm	mm	mm
DABTM107FR-0402	1/4"-19	1/8"-28	14.00	6.00	20.50	14.00
DABTM107FR-0602	3/8"-19	1/8"-28	14.20	9.00	21.60	19.00
DABTM107FR-0604	3/8"-19	1/4"-19	14.20	9.00	21.60	19.00
DABTM107FR-0802	1/2"-14	1/8"-28	19.00	12.00	28.00	24.00
DABTM107FR-0806	1/2"-14	3/8"-19	19.00	11.00	28.00	24.00
DABTM107FR-1204	3/4"-14	1/4"-19	20.00	16.70	29.00	30.00
DABTM107FR-1206	3/4"-14	3/8"-19	20.00	16.70	29.00	30.00
DABTM107FR-1208	3/4"-14	1/2"-14	20.00	16.70	30.00	30.00
DABTM107FR-1216	3/4"-14	1"-11	20.00	16.70	55.50	41.00
DABTM107FR-1604	1"-11	1/4"-19	24.00	22.20	34.00	36.00
DABTM107FR-1606	1"-11	3/8"-19	24.00	22.20	34.00	36.00
DABTM107FR-1608	1"-11	1/2"-14	24.00	22.20	34.00	36.00
DABTM107FR-1612	1"-11	3/4"-14	24.00	22.20	34.00	35.00
DABTM107FR-2012	1-1/4"-11	3/4"-14	25.00	28.60	37.50	45.00
DABTM107FR-2016	1-1/4"-11	1"-11	25.00	28.00	37.50	45.00
DABTM107FR-2420	1-1/2"-11	1-1/4"-11	25.00	33.30	40.00	50.00
DABTM107FR-3216	2"-11	1"-11	30.00	46.00	45.00	65.00
DABTM107FR-3224	2"-11	1-1/2"-11	30.00	45.20	45.00	65.00



DABTM105F

Straight Connector BSPT Male 60° - BSPP Fixed Female

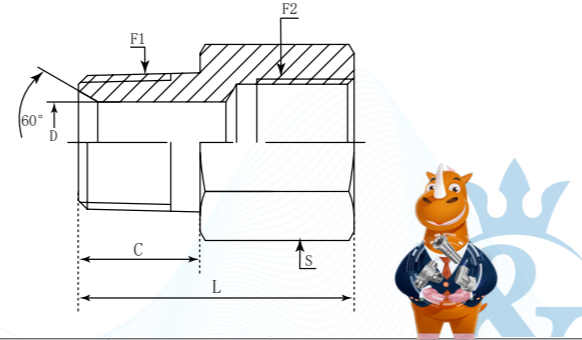
D	A	BT	M	1	05	F
Company	Product Range	Thread Types	Connection Type	Adaptor Structure	Thread Types	Connection Type
DME	Adaptor	BSPT	Male	Straight	BSPP	Female

German Technology Equipment

SHIELD FLEX

New-Standard

- DME&JDE Code: **DABTM105F**
- Product Type: **Hydraulic adaptor**
- Standard: **BSP**
- Structure: **Straight**
- Connection Type: **Male × Fixed Female**
- Thread Types: **BSPT 60° × BSPP Fixed Female**



PART NUMBER	F1 (Thread)	F2 (Thread)	C	D	L	S
#	BSPT	BSPP	mm	mm	mm	mm
DABTM105F-0202	1/8"-28	1/8"-28	10.00	4.50	27.50	14.00
DABTM105F-0204	1/8"-28	1/4"-19	10.00	4.50	30.50	19.00
DABTM105F-0402	1/4"-19	1/8"-28	14.00	6.00	31.00	17.00
DABTM105F-0404	1/4"-19	1/4"-19	14.00	6.00	33.50	17.00
DABTM105F-0406	1/4"-19	3/8"-19	14.00	6.00	33.00	22.00
DABTM105F-0604	3/8"-19	1/4"-19	15.00	9.00	34.50	19.00
DABTM105F-0606	3/8"-19	3/8"-19	15.00	9.00	37.00	22.00
DABTM105F-0612	3/8"-19	3/4"-14	15.00	9.00	43.50	32.00
DABTM105F-0808	1/2"-14	1/2"-14	19.00	12.00	43.00	27.00
DABTM105F-0816	1/2"-14	1"-11	19.00	12.00	54.00	41.00
DABTM105F-1206	3/4"-14	3/8"-19	20.00	16.70	43.00	30.00
DABTM105F-1212	3/4"-14	3/4"-14	20.00	16.70	46.00	32.00
DABTM105F-1220	3/4"-14	1"1/4"-11	20.00	16.70	60.00	50.00
DABTM105F-1616	1"-11	1"-11	24.00	22.20	57.00	41.00
DABTM105F-1620	1"-11	1-1/4"-11	24.00	22.20	59.50	50.00
DABTM105F-2020	1-1/4"-11	1-1/4"-11	25.00	28.60	63.50	50.00
DABTM105F-2024	1-1/4"-11	1-1/2"-11	25.00	28.60	60.00	55.00
DABTM105F-2432	1-1/2"-11	2"-11	25.00	33.30	65.50	70.00



DABTM105FR

Straight Bushing Connector BSPT Male 60° - BSPP Fixed Female

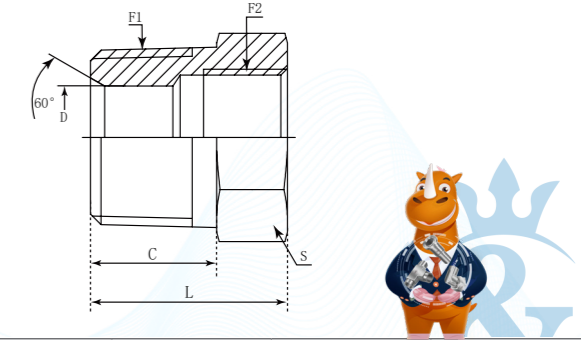
D	A	BT	M	1	05	FR
Company	Product Range	Thread Types	Connection Type	Adaptor Structure	Thread Types	Connection Type
DME	Adaptor	BSPT	Male	Straight	BSPP	Fixed Female

German Technology Equipment

SHIELD FLEX

New-Standard

- DME&JDE Code: **DABTM105FR**
- Product Type: **Hydraulic adaptor**
- Standard: **BSP**
- Structure: **Straight**
- Connection Type: **Male × Fixed Female**
- Thread Types: **BSPP 60° × BSPP Fixed Female**



PART NUMBER	F1 (Thread)	F2 (Thread)	C	D	L	S
#	BSPT	BSPP	mm	mm	mm	mm
DABTM105FR-0202	1/8"-28	1/8"-28	5.00	4.50	10.00	12.00
DABTM105FR-0402	1/4"-19	1/8"-28	14.00	7.00	21.00	14.00
DABTM105FR-0408	1/4"-19	1/2"-14	14.00	7.00	40.50	27.00
DABTM105FR-0602	3/8"-19	1/8"-28	15.00	8.57	22.00	17.00
DABTM105FR-0604	3/8"-19	1/4"-19	15.00	11.45	23.00	19.00
DABTM105FR-0802	1/2"-14	1/8"-28	19.00	13.00	27.00	22.00
DABTM105FR-0804	1/2"-14	1/4"-19	19.00	11.45	27.00	22.00
DABTM105FR-0806	1/2"-14	3/8"-19	19.00	14.95	27.00	22.00
DABTM105FR-0816	1/2"-14	1"-11	19.00	13.00	55.50	41.00
DABTM105FR-1204	3/4"-14	1/4"-19	20.00	11.45	29.00	27.00
DABTM105FR-1206	3/4"-14	3/8"-19	20.00	14.95	29.00	27.00
DABTM105FR-1208	3/4"-14	1/2"-14	20.00	18.63	29.00	27.00
DABTM105FR-1608	1"-11	1/2"-14	24.00	24.00	34.00	36.00
DABTM105FR-1612	1"-11	3/4"-14	24.00	24.12	34.00	36.00
DABTM105FR-1616	1"-11	1"-11	24.00	22.20	59.00	41.00
DABTM105FR-2008	1-1/4"-11	1/2"-14	25.00	31.00	37.00	46.00
DABTM105FR-2016	1-1/4"-11	1"-11	25.00	30.29	37.00	46.00
DABTM105FR-2412	1-1/2"-11	3/4"-14	25.00	38.00	37.00	50.00
DABTM105FR-2416	1-1/2"-11	1"-11	25.00	38.00	37.00	50.00
DABTM105FR-2420	1-1/2"-11	1-1/4"-11	25.00	38.95	37.00	50.00
DABTM105FR-3216	2"-11	1"-11	30.00	49.00	45.00	65.00
DABTM105FR-3220	2"-11	1-1/4"-11	30.00	49.00	45.00	65.00
DABTM105FR-3224	2"-11	1-1/2"-11	30.00	44.85	45.00	65.00
DABTM105FR-4020	2-1/2"-11	1-1/4"-11	36.00	38.95	60.00	76.20
DABTM105FR-4032	2-1/2"-11	2"-11	36.00	56.80	60.00	76.20
DABTM105FR-4832	3"-11	2"-11	40.00	56.80	60.00	90.00



DABTM152F

Straight Adaptor BSPT Male 60° - Metric Fixed Female

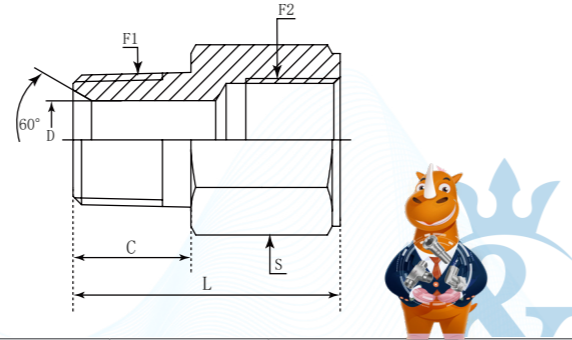
D	A	BT	M	1	52	F
Company	Product Range	Thread Types	Connection Type	Adaptor Structure	Thread Types	Connection Type
DME	Adaptor	BSPT	Male	Straight	Metric	Female

German Technology Equipment

SHIELD FLEX

New-Standard

- DME&JDE Code: **DABTM152F**
- Product Type: **Hydraulic adaptor**
- Standard: **BSP**
- Structure: **Straight**
- Connection Type: **Male × Fixed Female**
- Thread Types: **BSPP 60° × Metric Fixed Female**



PART NUMBER	F1 (Thread)	F2 (Thread)	C	D	L	S
#	BSPT	Metric	mm	mm	mm	mm
DABTM152F-0410	1/4"-19	M10X1	14.00	7.00	29.00	14.00
DABTM152F-0414	1/4"-19	M14X1.5	14.00	7.00	33.00	19.00
DABTM152F-0416	1/4"-19	M16X1.5	14.00	7.00	34.50	22.00
DABTM152F-0418	1/4"-19	M18X1.5	14.00	7.00	35.00	24.00
DABTM152F-0614	3/8"-19	M14X1.5	15.00	10.00	33.00	19.00
DABTM152F-0616	3/8"-19	M16X1.5	15.00	10.00	34.00	22.00
DABTM152F-0622	3/8"-19	M22X1.5	15.00	10.00	37.50	27.00
DABTM152F-0818	1/2"-14	M18X1.5	19.00	12.00	37.50	24.00
DABTM152F-0822	1/2"-14	M22X1.5	19.00	13.00	41.00	27.00

DABTM152FR

Straight Bushing Connector BSPT Male 60° - Metric Fixed Female

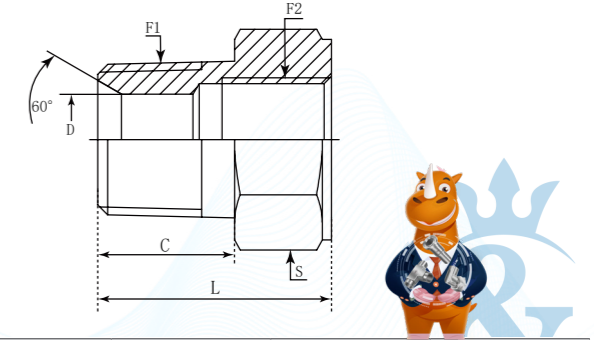
D	A	BT	M	1	52	FR
Company	Product Range	Thread Types	Connection Type	Adaptor Structure	Thread Types	Connection Type
DME	Adaptor	BSPT	Male	Straight	Metric	Fixed Female

German Technology Equipment

SHIELD FLEX

New-Standard

- DME&JDE Code: **DABTM152FR**
- Product Type: **Hydraulic adaptor**
- Standard: **BSP**
- Structure: **Straight**
- Connection Type: **Male × Fixed Female**
- Thread Types: **BSPT 60° × Metric Fixed Female**



PART NUMBER	F1 (Thread)	F2 (Thread)	C	D	L	S
#	BSPT	Metric	mm	mm	mm	mm
DABTM152FR-0206	1/8"-28	M6X1	10.00	4.50	15.00	14.00
DABTM152FR-0408	1/4"-19	M8X1	14.00	6.00	19.00	17.00
DABTM152FR-0612	3/8"-19	M12X1.5	15.00	9.00	21.00	22.00
DABTM152FR-0816	1/2"-14	M16X1.5	19.00	13.00	27.00	22.00
DABTM152FR-1214	3/4"-14	M14X1.5	20.00	16.70	27.00	30.00
DABTM152FR-1216	3/4"-14	M16X1.5	20.00	16.70	27.00	30.00
DABTM152FR-1616	1"-11	M16X1.5	24.00	22.20	32.00	36.00
DABTM152FR-1620	1"-11	M20X1.5	24.00	22.20	32.00	36.00
DABTM152FR-2022	1-1/4"-11	M22X1.5	25.00	28.60	34.00	46.00
DABTM152FR-2026	1-1/4"-11	M26X1.5	25.00	28.60	34.00	46.00
DABTM152FR-2426	1-1/4"-11	M26X1.5	25.00	33.30	35.00	50.00



DABTM128F

Straight Connector BSPT Male 60° - NPTF Female

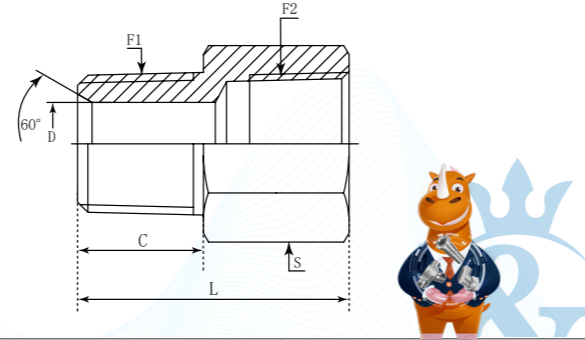
D	A	BT	M	1	28	F
Company	Product Range	Thread Types	Connection Type	Adaptor Structure	Thread Types	Connection Type
DME	Adaptor	BSPT	Male	Straight	NPTF	Female

German Technology Equipment

SHIELD FLEX

New-Standard

- DME&JDE Code: **DABTM128F**
- Product Type: **Hydraulic adaptor**
- Standard: **BSP**
- Structure: **Straight**
- Connection Type: **Male x Female**
- Thread Types: **BSPP 60° x NPTF**



PART NUMBER	F1 (Thread)	F2 (Thread)	C	D	L	S
#	BSPT	NPTF	mm	mm	mm	mm
DABTM128F-0202	1/8"-28	1/8"-27	10.00	4.50	26.50	17.00
DABTM128F-0204	1/8"-28	1/4"-18	10.00	4.50	32.00	19.00
DABTM128F-0402	1/4"-19	1/8"-27	14.00	6.00	28.50	17.00
DABTM128F-0404	1/4"-19	1/4"-18	14.00	6.00	35.00	19.00
DABTM128F-0602	3/8"-19	1/8"-27	15.00	9.00	23.50	19.00
DABTM128F-0604	3/8"-19	1/4"-18	15.00	9.00	36.00	19.00
DABTM128F-0606	3/8"-19	3/8"-18	15.00	9.00	37.00	22.00
DABTM128F-0808	1/2"-14	1/2"-14	19.00	12.50	46.00	27.00
DABTM128F-1206	3/4"-16	3/8"-18	20.00	16.70	32.00	27.00
DABTM128F-1208	3/4"-16	1/2"-14	20.00	16.70	32.50	27.00
DABTM128F-1212	3/4"-14	3/4"-14	20.00	16.70	52.00	34.93
DABTM128F-1612	1"-11	3/4"-14	24.00	22.20	41.00	36.00
DABTM128F-1616	1"-11	1"-11-1/2	24.00	22.20	60.00	41.00
DABTM128F-2012	1"1/4-11	3/4"-14	25.00	28.60	39.00	46.00
DABTM128F-2016	1-1/4"-11	1"-11-1/2	25.00	28.60	39.00	46.00
DABTM128F-2020	1-1/4"-11	1-1/4"-11-1/2	25.00	28.60	63.00	50.80
DABTM128F-2420	1-1/2"-11	1-1/4"-11-1/2	25.00	33.30	41.00	50.00
DABTM128F-2424	1-1/2"-11	1-1/2"-11-1/2	25.00	33.30	63.00	60.00
DABTM128F-3232	2"-11	2"-11-1/2	30.00	46.00	71.50	73.02

DABPF152M

Straight Connector BSPP Fixed Female - Metric Male 60°

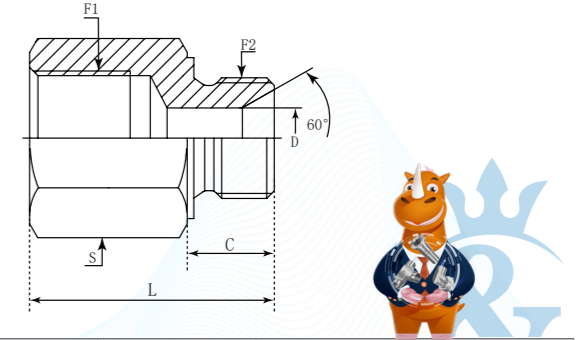
D	A	BP	F	1	52	M
Company	Product Range	Thread Types	Connection Type	Adaptor Structure	Thread Types	Connection Type
DME	Adaptor	BSPP	Male	Straight	Metric	Male

German Technology Equipment

SHIELD FLEX

New-Standard

- DME&JDE Code: **DABPF152M**
- Product Type: **Hydraulic adaptor**
- Standard: **BSP**
- Structure: **Straight**
- Connection Type: **Fixed Female x Male**
- Thread Types: **BSPP x Metric 60°**



PART NUMBER	F1 (Thread)	F2 (Thread)	C	D	L	S
#	BSPP	Metric	mm	mm	mm	mm
DABPF152M-0412	1/4"-19	M12X1.5	10.00	4.00	30.00	19.00
DABPF152M-0414	1/4"-19	M14X1.5	12.00	6.00	31.00	19.00
DABPF152M-0616	3/8"-19	M16X1.5	12.00	8.00	32.50	22.00
DABPF152M-0618	3/8"-19	M18X1.5	12.00	10.00	32.00	24.00
DABPF152M-0816	1/2"-14	M16X1.5	12.00	8.00	38.00	27.00
DABPF152M-0818	1/2"-14	M18X1.5	12.00	10.00	36.50	27.00
DABPF152M-0822	1/2"-14	M22X1.5	14.00	14.00	38.00	27.00
DABPF152M-1226	3/4"-14	M26X1.5	16.00	15.00	43.50	32.00
DABPF152M-1230	3/4"-14	M30X1.5	16.00	19.00	41.00	36.00
DABPF152M-1638	1"-11	M38X1.5	18.00	25.00	50.00	46.00

DABPF1305

Straight Adaptor BSPP Fixed Female – SAE Male O Ring

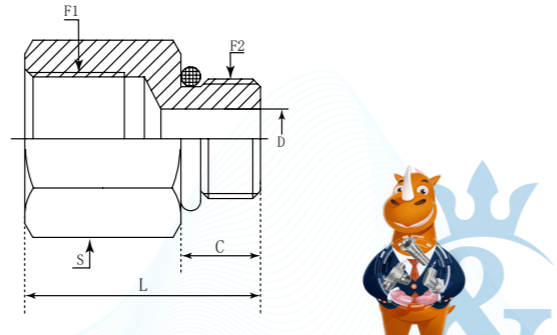
D	A	BP	F	1	30	5
Company	Product Range	Thread Types	Connection Type	Adaptor Structure	Thread Types	Connection Type
DME	Adaptor	BSPP	Female	Straight	SAE	Male O Ring

German Technology Equipment

SHIELD FLEX

New-Standard

- DME&JDE Code: **DABPF1305**
- Product Type: **Hydraulic adaptor**
- Standard: **BSP**
- Structure: **Straight**
- Connection Type: **Fixed Female × Male**
- Thread Types: **BSPP × SAE UNF**
- Sealing Method: **O Ring**



PART NUMBER	F1 (Thread)	F2 (Thread)	D2	L	S	S1
#	BSPP	UNF	mm	mm	mm	mm
DABPF1305-0404	1/4"-19	7/16"-20	9.14	4.37	29.5	19
DABPF1305-0408	1/4"-19	3/4"-16	11.13	9.90	30.50	22.00
DABPF1305-0606	3/8"-19	9/16"-18	9.93	7.50	31.50	22.00
DABPF1305-0608	3/8"-19	3/4"-16	11.13	9.90	31.00	22.00
DABPF1305-0810	1/2"-14	7/8"-14	12.70	12.30	37.00	27.00
DABPF1305-0812	1/2"-14	1-1/16"-12	15.09	15.50	38.00	32.00
DABPF1305-1212	3/4"-14	1-1/16"-12	15.09	15.50	41.00	32.00

DABP11065

Straight Connector BSPP Swivel Female 60° - BSPP Male + O Ring

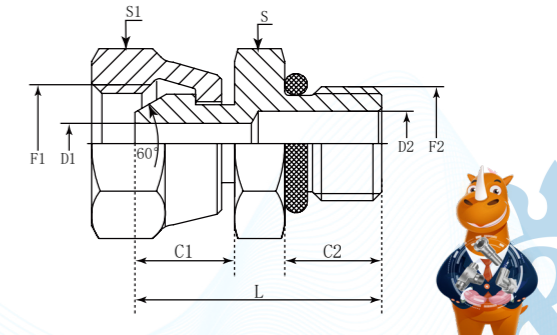
D	A	BP	1	1	06	5
Company	Product Range	Thread Types	Connection Type	Adaptor Structure	Thread Types	Connection Type
DME	Adaptor	BSPP	Swivel Female	Straight	BSPP	Male+ O Ring

German Technology Equipment

SHIELD FLEX

New-Standard

- DME&JDE Code: **DABP11065**
- Product Type: **Hydraulic adaptor**
- Standard: **BSP**
- Structure: **Straight**
- Connection Type: **Swivel Female × Male**
- Thread Types: **BSPP 60° × BSPP + O Ring**
- Sealing Method: **O Ring**



PART NUMBER	F1 (Thread)	F2 (Thread)	C1	C2	D1	D2	L	S	S1
#	BSPP	BSPP	mm	mm	mm	mm	mm	mm	mm
DABP11065-0202	1/8"-28	1/8"-28	9.50	7.60	3.50	4.40	24.50	14.00	14.00
DABP11065-0204	1/8"-29	1/4"-19	9.50	11.20	3.50	7.50	25.00	19.00	14.00
DABP11065-0404	1/4"-19	1/4"-19	11.50	11.20	4.50	7.50	28.50	19.00	19.00
DABP11065-0406	1/4"-19	3/8"-19	11.50	11.20	4.50	9.90	30.50	22.00	19.00
DABP11065-0604	3/8"-19	1/4"-19	12.50	11.20	7.10	7.10	28.50	19.00	22.00
DABP11065-0606	3/8"-19	3/8"-19	12.50	11.20	7.10	9.90	32.00	22.00	22.00
DABP11065-0608	3/8"-19	1/2"-14	12.50	14.50	7.10	12.30	36.50	27.00	22.00
DABP11065-0806	1/2"-14	3/8"-19	15.00	11.20	9.70	9.70	34.00	22.00	27.00
DABP11065-0808	1/2"-14	1/2"-14	15.00	14.50	9.70	12.30	38.00	27.00	27.00
DABP11065-0812	1/2"-14	3/4"-14	15.00	14.50	9.70	15.50	39.50	32.00	27.00
DABP11065-1008	5/8"-14	1/2"-14	15.50	14.50	12.00	12.00	38.50	27.00	30.00
DABP11065-1208	3/4"-14	1/2"-14	17.50	14.50	15.50	12.30	39.00	27.00	32.00
DABP11065-1212	3/4"-14	3/4"-14	17.50	14.50	15.50	15.50	41.50	32.00	32.00
DABP11065-1216	3/4"-14	1"-11	17.50	18.60	15.50	21.50	46.00	41.00	32.00
DABP11065-1612	1"-11	3/4"-14	19.50	14.50	20.40	15.50	42.00	32.00	41.00
DABP11065-1616	1"-11	1"-11	19.50	18.60	20.40	21.50	48.00	41.00	41.00
DABP11065-1620	1"-11	1-1/4"-11	19.50	18.60	20.40	27.50	51.50	50.00	41.00
DABP11065-2020	1-1/4"-11	1-1/4"-11	21.00	18.60	26.00	27.50	53.50	50.00	50.00
DABP11065-2424	1-1/2"-11	1-1/2"-11	22.00	18.60	30.80	33.00	55.50	55.00	55.00

Web: <https://www.dmejde.com>
E-mail: info@dmejde.com



Web: <https://www.dmejde.com>
E-mail: info@dmejde.com



DABP1106Q

Straight Connector BSPP Swivel Female 60° – BSPP Male + O Ring + Retaining Ring

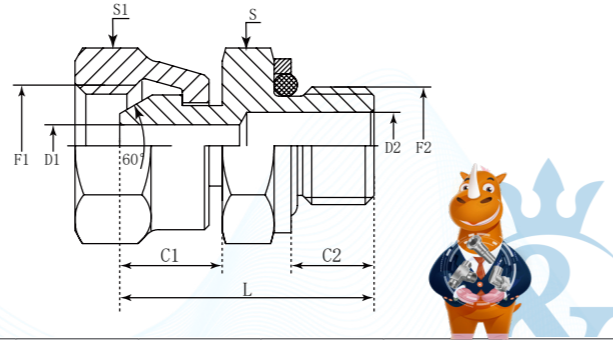
D	A	BP	1	1	06	0
Company	Product Range	Thread Types	Connection Type	Adaptor Structure	Thread Types	Connection Type
DME	Adaptor	BSPP	Swivel Female	Straight	BSPP	Male + O Ring + Retaining Ring

German Technology Equipment

SHIELD FLEX

New-Standard

- DME&JDE Code: **DABP1106Q**
- Product Type: **Hydraulic adaptor**
- Standard: **BSP**
- Structure: **Straight**
- Connection Type: **Swivel Female x Male**
- Thread Types: **BSPP 60° x BSPP**
- Sealing Method: **O Ring + Retaining Ring**



PART NUMBER	F1 (Thread)	F2 (Thread)	C1	C2	D1	D2	L	S	S1
#	BSPP	BSPP	mm	mm	mm	mm	mm	mm	mm
DABP1106Q-0202	1/8"-28	1/8"-28	9.50	7.60	3.50	4.40	24.50	14.00	14.00
DABP1106Q-0204	1/8"-29	1/4"-19	9.50	11.20	3.50	7.50	25.00	19.00	14.00
DABP1106Q-0404	1/4"-19	1/4"-19	11.50	11.20	4.50	7.50	28.50	19.00	19.00
DABP1106Q-0406	1/4"-19	3/8"-19	11.50	11.20	4.50	9.90	30.50	22.00	19.00
DABP1106Q-0604	3/8"-19	1/4"-19	12.50	11.20	7.10	7.10	28.50	19.00	22.00
DABP1106Q-0606	3/8"-19	3/8"-19	12.50	11.20	7.10	9.90	32.00	22.00	22.00
DABP1106Q-0608	3/8"-19	1/2"-14	12.50	14.50	7.10	12.30	36.50	27.00	22.00
DABP1106Q-0806	1/2"-14	3/8"-19	15.00	11.20	9.70	9.70	34.00	22.00	27.00
DABP1106Q-0808	1/2"-14	1/2"-14	15.00	14.50	9.70	12.30	38.00	27.00	27.00
DABP1106Q-0812	1/2"-14	3/4"-14	15.00	14.50	9.70	15.50	39.50	32.00	27.00
DABP1106Q-1008	5/8"-14	1/2"-14	15.50	14.50	12.00	12.00	38.50	27.00	30.00
DABP1106Q-1208	3/4"-14	1/2"-14	17.50	14.50	15.50	12.30	39.00	27.00	32.00
DABP1106Q-1212	3/4"-14	3/4"-14	17.50	14.50	15.50	15.50	41.50	32.00	32.00
DABP1106Q-1216	3/4"-14	1"-11	17.50	18.60	15.50	21.50	46.00	41.00	32.00
DABP1106Q-1612	1"-11	3/4"-14	19.50	14.50	20.40	15.50	42.00	32.00	41.00
DABP1106Q-1616	1"-11	1"-11	19.50	18.60	20.40	21.50	48.00	41.00	41.00
DABP1106Q-1620	1"-11	1-1/4"-11	19.50	18.60	20.40	27.50	51.50	50.00	41.00
DABP1106Q-2020	1-1/4"-11	1-1/4"-11	21.00	18.60	26.00	27.50	53.50	50.00	50.00
DABP1106Q-2424	1-1/2"-11	1-1/2"-11	22.00	18.60	30.80	33.00	55.50	55.00	55.00

DABP11305

Straight Connector BSP Swivel Female 60° - SAE Male O Ring Boss

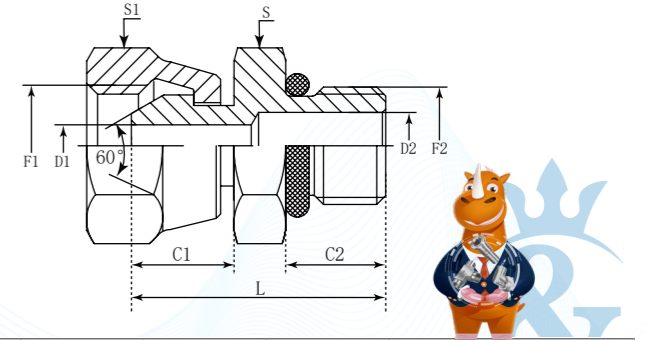
D	A	BP	1	1	30	5
Company	Product Range	Thread Types	Connection Type	Adaptor Structure	Thread Types	Connection Type
DME	Adaptor	BSPP	Swivel Female	Straight	SAE	Male O Ring

German Technology Equipment

SHIELD FLEX

New-Standard

- DME&JDE Code: **DABP11305**
- Product Type: **Hydraulic adaptor**
- Standard: **BSP**
- Structure: **Straight**
- Connection Type: **Swivel Female x Male**
- Thread Types: **BSPP 60° x SAE UNF O Ring**
- Sealing Method: **O Ring**



PART NUMBER	F1 (Thread)	F2 (Thread)	C1	C2	D1	D2	L	S	S1
#	BSPP	NPTF	mm	mm	mm	mm	mm	mm	mm
DABP11305-0404	1/4"-19	7/16"-20	11.50	9.14	4.37	4.37	26.00	14.00	19.00
DABP11305-0406	1/4"-19	9/16"-18	11.50	9.93	4.50	7.54	27.00	17.00	19.00
DABP11305-0604	3/8"-19	7/16"-20	12.50	9.14	7.10	4.37	27.00	17.00	22.00
DABP11305-0605	3/8"-19	1/2"-20	12.50	9.14	7.10	5.94	27.00	17.00	22.00
DABP11305-0606	3/8"-19	9/16"-18	12.50	9.93	7.10	7.10	28.00	17.00	22.00
DABP11305-0608	3/8"-19	3/4"-16	12.50	11.13	7.10	9.93	31.00	22.00	22.00
DABP11305-0610	3/8"-19	7/8"-14	12.50	12.70	7.10	12.29	35.00	27.00	22.00
DABP11305-0806	1/2"-14	9/16"-18	15.00	9.93	9.70	7.54	30.00	19.00	27.00
DABP11305-0808	1/2"-14	3/4"-16	15.00	11.13	9.70	9.70	33.00	22.00	27.00
DABP11305-0810	1/2"-14	7/8"-14	15.00	12.70	9.70	12.29	36.50	27.00	27.00
DABP11305-0812	1/2"-14	1-1/16"-12	15.00	15.09	9.70	15.47	40.00	32.00	27.00
DABP11305-1208	3/4"-14	3/4"-16	17.50	11.13	15.50	9.93	36.00	27.00	32.00
DABP11305-1210	3/4"-14	7/8"-14	17.50	12.70	15.50	12.29	37.50	27.00	32.00
DABP11305-1212	3/4"-14	1-1/16"-12	17.50	15.09	15.50	15.50	41.00	32.00	32.00
DABP11305-1216	3/4"-14	1-5/16"-12	17.50	15.09	15.50	21.44	41.00	38.00	32.00
DABP11305-1612	1"-11	1-1/16"-12	19.50	15.09	20.40	15.47	42.00	32.00	41.00
DABP11305-1616	1"-11	1-5/16"-12	19.50	15.09	20.40	21.44	42.00	38.00	41.00
DABP11305-2016	1-1/4"-11	1-5/16"-12	21.00	15.09	26.00	21.44	48.00	41.00	50.00
DABP11305-2020	1-1/4"-11	1-5/8"-12	21.00	15.09	26.00	27.38	49.50	50.00	50.00
DABP11305-2420	1-1/2"-11	1-5/8"-12	22.00	15.09	30.80	27.38	50.00	50.00	55.00
DABP11305-2424	1-1/2"-11	1-7/8"-12	22.00	15.09	30.80	33.32	50.00	55.00	55.00

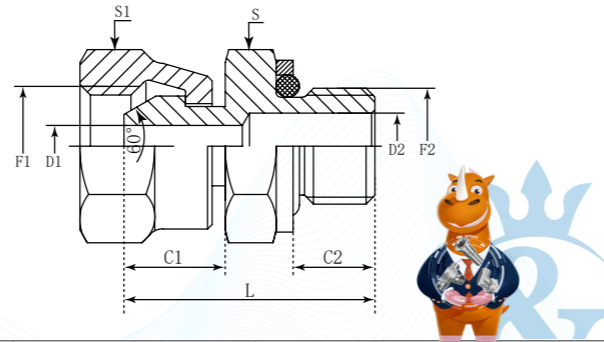
DABP1152Q

Straight Connector BSPP Swivel Female 60° – Metric Male + O Ring +Retaining Ring

D	A	BP	1	1	52	0
Company	Product Range	Thread Types	Connection Type	Adaptor Structure	Thread Types	Connection Type
DME	Adaptor	BSPP	Swivel Female	Straight	Metric	Male + O Ring +Retaining Ring



- DME&JDE Code: **DABP1152Q**
- Product Type: **Hydraulic adaptor**
- Standard: **BSP**
- Structure: **Straight**
- Connection Type: **Swivel Female x Male**
- Thread Types: **BSPP 60° Cone x BSPP**
- Sealing Method: **O Ring +Retaining Ring**



PART NUMBER	F1 (Thread)	F2 (Thread)	C1	C2	D1	D2	L	S	S1
#	BSPP	Metric	mm	mm	mm	mm	mm	mm	mm
DABP1152Q-0210	1/8"-29	M10X1	9.50	8.50	3.50	4.50	23.50	14.00	14.00
DABP1152Q-0412	1/4"-19	M12X1.5	11.50	11.00	4.50	6.00	28.00	17.00	19.00
DABP1152Q-0414	1/4"-19	M14X1.5	11.50	11.00	4.50	7.50	28.00	19.00	19.00
DABP1152Q-0616	3/8"-19	M16X1.5	12.50	11.50	7.10	9.00	31.50	22.00	22.00
DABP1152Q-0618	3/8"-19	M18X1.5	12.50	12.50	7.10	11.00	32.50	24.00	22.00
DABP1152Q-0818	1/2"-14	M18X1.5	15.00	12.50	9.70	11.00	34.50	24.00	27.00
DABP1152Q-0822	1/2"-14	M22X1.5	15.00	13.00	9.70	14.00	37.00	27.00	27.00
DABP1152Q-1022	5/8"-14	M22X1.5	15.50	13.00	12.00	14.00	37.50	27.00	30.00
DABP1152Q-1222	3/4"-14	M22X1.5	17.50	13.00	15.50	14.00	38.00	27.00	32.00
DABP1152Q-1227	3/4"-14	M27X2	17.50	16.00	15.50	18.00	42.00	32.00	32.00
DABP1152Q-1627	1"-11	M27X2	19.50	16.00	20.40	18.00	43.50	32.00	41.00
DABP1152Q-1633	1"-11	M33X2	19.50	16.00	20.40	23.00	45.50	41.00	41.00
DABP1152Q-2042	1-1/4"-11	M42X2	21.00	16.00	26.00	30.00	49.50	50.00	50.00
DABP1152Q-2448	1-1/2"-11	M48X2	22.00	17.50	30.80	36.00	51.50	55.00	55.00

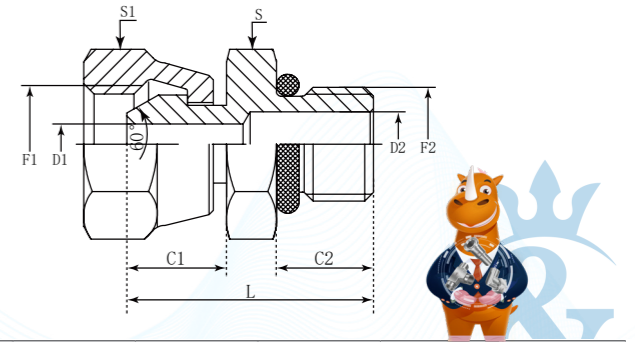
DABP1152S

Straight Connector BSPP Swivel Female 60° - Metric Male + O Ring

D	A	BP	1	1	52	5
Company	Product Range	Thread Types	Connection Type	Adaptor Structure	Thread Types	Connection Type
DME	Adaptor	BSPP	Swivel Female	Straight	Metric	Male + O Ring



- DME&JDE Code: **DABP1152S**
- Product Type: **Hydraulic adaptor**
- Standard: **BSP**
- Structure: **Straight**
- Connection Type: **Swivel Female x Male**
- Thread Types: **BSPP 60° x Metric**
- Sealing Method: **O Ring**



PART NUMBER	F1 (Thread)	F2 (Thread)	C1	C2	D1	D2	L	S	S1
#	BSPP	Metric	mm	mm	mm	mm	mm	mm	mm
DABP1152S-0210	1/8"-29	M10X1	9.50	8.50	3.50	4.50	23.50	14.00	14.00
DABP1152S-0412	1/4"-19	M12X1.5	11.50	11.00	4.50	6.00	28.00	17.00	19.00
DABP1152S-0414	1/4"-19	M14X1.5	11.50	11.00	4.50	7.50	28.00	19.00	19.00
DABP1152S-0616	3/8"-19	M16X1.5	12.50	11.50	7.10	9.00	31.50	22.00	22.00
DABP1152S-0618	3/8"-19	M18X1.5	12.50	12.50	7.10	11.00	32.50	24.00	22.00
DABP1152S-0818	1/2"-14	M18X1.5	15.00	12.50	9.70	11.00	34.50	24.00	27.00
DABP1152S-0822	1/2"-14	M22X1.5	15.00	13.00	9.70	14.00	37.00	27.00	27.00
DABP1152S-1022	5/8"-14	M22X1.5	15.50	13.00	12.00	14.00	37.50	27.00	30.00
DABP1152S-1222	3/4"-14	M22X1.5	17.50	13.00	15.50	14.00	38.00	27.00	32.00
DABP1152S-1227	3/4"-14	M27X2	17.50	16.00	15.50	18.00	42.00	32.00	32.00
DABP1152S-1627	1"-11	M27X2	19.50	16.00	20.40	18.00	43.50	32.00	41.00
DABP1152S-1633	1"-11	M33X2	19.50	16.00	20.40	23.00	45.50	41.00	41.00
DABP1152S-2042	1-1/4"-11	M42X2	21.00	16.00	26.00	30.00	49.50	50.00	50.00
DABP1152S-2448	1-1/2"-11	M48X2	22.00	17.50	30.80	36.00	51.50	55.00	55.00



DABP1107M

Straight Connector BSPP Swivel Female 60° - BSPT Male 60°

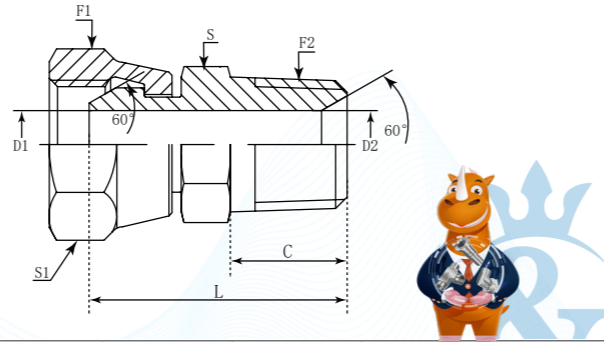
D	A	BP	1	1	07	M
Company	Product Range	Thread Types	Connection Type	Adaptor Structure	Thread Types	Connection Type
DME	Adaptor	BSPP	Swivel Female	Straight	BSPT	Male

German Technology Equipment

SHIELD FLEX

New-Standard

- DME&JDE Code: **DABP1107M**
- Product Type: **Hydraulic adaptor**
- Standard: **BSP**
- Structure: **Straight**
- Connection Type: **Swivel Female x Male**
- Thread Types: **BSPP 60° x BSPT 60°**



PART NUMBER	F1 (Thread)	F2 (Thread)	C	D1	D2	L	S	S1
#	BSPP	BSPT	mm	mm	mm	mm	mm	mm
DABP1107M-0202	1/8"-28	1/8"-28	10.00	3.50	4.50	25.00	12.00	14.00
DABP1107M-0204	1/8"-28	1/4"-19	14.00	3.50	6.00	29.50	17.00	14.00
DABP1107M-0402	1/4"-19	1/8"-28	10.00	4.50	4.50	27.00	12.00	19.00
DABP1107M-0404	1/4"-19	1/4"-19	14.00	4.70	6.00	32.00	17.00	19.00
DABP1107M-0406	1/4"-19	3/8"-19	15.00	4.70	9.00	33.00	19.00	19.00
DABP1107M-0408	1/4"-19	1/2"-14	19.00	4.70	12.00	39.00	22.00	19.00
DABP1107M-0604	3/8"-19	1/4"-19	14.00	7.90	6.00	32.50	17.00	22.00
DABP1107M-0606	3/8"-19	3/8"-19	15.00	7.90	9.00	34.00	19.00	22.00
DABP1107M-0608	3/8"-19	1/2"-14	19.00	7.90	12.00	40.00	22.00	22.00
DABP1107M-0804	1/2"-14	1/4"-19	14.00	11.10	6.00	36.00	19.00	27.00
DABP1107M-0806	1/2"-14	3/8"-19	15.00	11.10	9.00	37.00	19.00	27.00
DABP1107M-0808	1/2"-14	1/2"-14	19.00	11.10	11.10	42.00	22.00	27.00
DABP1107M-0812	1/2"-14	3/4"-14	20.00	11.10	16.70	44.00	30.00	27.00
DABP1107M-1206	3/4"-14	3/8"-19	15.00	15.00	9.00	41.00	27.00	32.00
DABP1107M-1208	3/4"-14	1/2"-14	19.00	16.70	12.00	45.00	27.00	32.00
DABP1107M-1212	3/4"-14	3/4"-14	20.00	16.70	16.70	46.50	30.00	32.00
DABP1107M-1216	3/4"-14	1"-11	24.00	16.70	22.20	53.00	36.00	32.00
DABP1107M-1612	1"-11	3/4"-14	20.00	20.40	16.70	48.00	32.00	41.00
DABP1107M-1616	1"-11	1"-11	24.00	22.20	22.20	55.00	36.00	41.00
DABP1107M-2016	1-1/4"-11	1"-11	24.00	28.60	22.20	58.00	41.00	50.00
DABP1107M-2020	1-1/4"-11	1-1/4"-11	25.00	28.60	28.60	58.00	46.00	50.00
DABP1107M-2424	1-1/2"-11	1-1/2"-11	25.00	33.30	33.30	61.50	50.00	55.00
DABP1107M-3232	2"-11	2"-11	30.00	46.00	46.00	69.00	65.00	70.00



DABPD0000

NUT BSPP

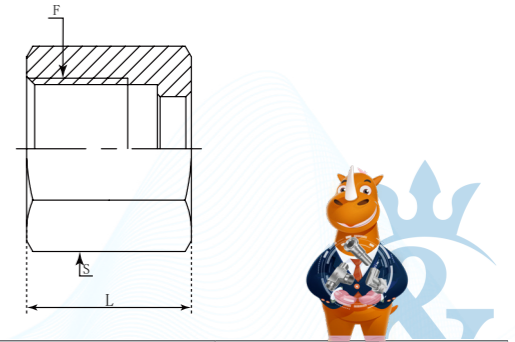
D	A	BP	D	0	000
Company	Product Range	Thread Types	Sealing Type	Compatible Type	Other Features
DME	Adaptor	BSPP	Welding	Tube	Nut/Plug

German Technology Equipment

SHIELD FLEX

New-Standard

- DME&JDE Code: **DABPD0000**
- Product Type: **Hydraulic adaptor**
- Adaptor Standard: **BSP**
- Thread Types: **BSPP**
- Other Features: **Nut/Plug**
- Sealing Type: **Welding**



PART NUMBER	F (Thread)	L	S
#	BSPP	mm	mm
DABPD0000-0400	1/4"-19	15.00	19.00
DABPD0000-0600	3/8"-19	17.00	22.00
DABPD0000-0800	1/2"-14	20.10	27.00
DABPD0000-1000	5/8"-14	21.80	30.00
DABPD0000-1200	3/4"-14	22.60	32.00
DABPD0000-1600	1"-11	27.60	41.00



DABP31000

Female Cap BSPP

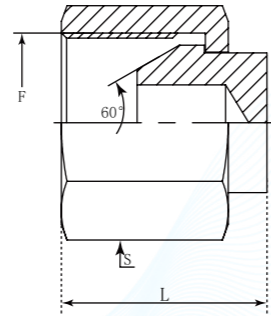
D	A	BP	3	1	000
Company	Product Range	Thread Types	Connection Type	Adaptor Structure	Other Features
DME	Adaptor	BSPP	Slip-on Female	Straight	Nut/Plug

German Technology Equipment

SHIELD FLEX

New-Standard

- DME&JDE Code: **DABP31000**
- Product Type: **Hydraulic adaptor**
- Standard: **BSP**
- Structure: **Straight**
- Connection Type: **Slip-on Female**
- Thread Types: **BSPP**
- Other Features: **Nut/Plug**



PART NUMBER	F (Thread)	L	S
#	BSPP	mm	mm
DABP31000-0200	1/8"-28	14.00	14.00
DABP31000-0400	1/4"-19	16.00	19.00
DABP31000-0600	3/8"-19	17.50	22.00
DABP31000-0800	1/2"-14	20.50	27.00
DABP31000-1000	5/8"-14	22.00	30.00
DABP31000-1200	3/4"-14	25.00	32.00
DABP31000-1600	1"-11	29.00	41.00
DABP31000-2000	1-1/4"-11	29.20	50.00
DABP31000-2400	1-1/2"-11	32.00	55.00
DABP31000-3200	2"-11	34.00	70.00

DABP31000-C

Female Cap BSPP

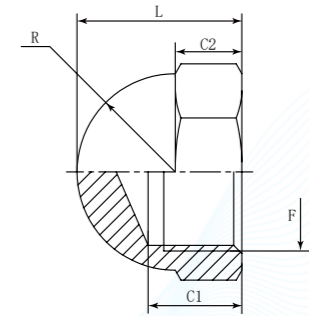
D	A	BP	3	1	000	C
Company	Product Range	Thread Types	Connection Type	Adaptor Structure	Other Features	Plug Type
DME	Adaptor	BSPP	Female	Straight	Nut/Plug	Cap

German Technology Equipment

SHIELD FLEX

New-Standard

- DME&JDE Code: **DABP31000-C**
- Product Type: **Hydraulic adaptor**
- Standard: **BSP**
- Structure: **straight**
- Connection Type: **Female**
- Thread Types: **BSPP**
- Other Features: **Nut/Plug**



PART NUMBER	F (Thread)	L	R	C1	C2	S
#	BSPP	mm	mm	mm	mm	mm
DABP31000-400-C	1/4"-19	19.00	9.00	11.00	10.00	19
DABP31000-600-C	3/8"-19	22.00	11.00	13.00	11.00	22
DABP31000-800-C	1/2"-14	26.00	13.00	15.00	12.00	27
DABP31000-1200-C	3/4"-14	31.00	16.00	17.00	13.00	32
DABP31000-1600-C	1"-11	36.00	20.00	19.00	16.00	41



DABPF105F

Straight Connector BSPP Female Fixed

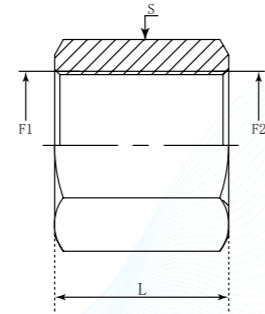
D	A	BP	F	1	05	F
Company	Product Range	Thread Types	Connection Type	Adaptor Structure	Thread Types	Connection Type
DME	Adaptor	BSPP	Female	Straight	BSPP	Female

German Technology Equipment

SHIELD FLEX

New-Standard

- DME&JDE Code: **DABPF105F**
- Product Type: **Hydraulic adaptor**
- Standard: **BSP**
- Structure: **Straight**
- Connection Type: **Fixed Female**
- Thread Types: **BSPP**



PART NUMBER	F1 (Thread)	F2 (Thread)	L	S
#	BSPP	BSPP	mm	mm
DABPF105F-0202	1/8"-28	1/8"-28	22.00	14.00
DABPF105F-0402	1/4"-19	1/8"-28	24.00	19.00
DABPF105F-0404	1/4"-19	1/4"-19	25.00	19.00
DABPF105F-0602	3/8"-19	1/8"-28	27.00	22.00
DABPF105F-0604	3/8"-19	1/4"-19	27.00	22.00
DABPF105F-0606	3/8"-19	3/8"-19	27.00	22.00
DABPF105F-0804	1/2"-14	1/4"-19	29.50	27.00
DABPF105F-0806	1/2"-14	3/8"-19	30.50	27.00
DABPF105F-0808	1/2"-14	1/2"-14	35.00	27.00
DABPF105F-1008	5/8"-14	1/2"-14	40.00	30/32
DABPF105F-1010	5/8"-14	5/8"-14	36.00	30.00
DABPF105F-1206	3/4"-14	3/8"-19	40.00	32.00
DABPF105F-1208	3/4"-14	1/2"-14	34.00	32.00
DABPF105F-1212	3/4"-14	3/4"-14	40.00	32.00
DABPF105F-1612	1"-11	3/4"-14	41.00	41.00
DABPF105F-1616	1"-11	1"-11	45.00	41.00
DABPF105F-2012	1-1/4"-11	3/4"-14	45.00	50.00
DABPF105F-2016	1-1/4"-11	1"-11	50.00	50.00
DABPF105F-2020	1-1/4"-11	1-1/4"-11	48.00	50.00
DABPF105F-2420	1-1/2"-11	1-1/4"-11	50.00	60.00
DABPF105F-2424	1-1/2"-11	1-1/2"-11	54.00	55.00
DABPF105F-3220	2"-11	1-1/4"-11	55.00	70.00
DABPF105F-3224	2"-11	1-1/2"-11	55.00	70.00
DABPF105F-3232	2"-11	2"-11	60.00	70.00
DABPF105F-4032	2-1/2"-11	2"-11	70.00	90.00



DABPF128F

Straight Coupling BSPP Fixed Female - NPTF Fixed Female

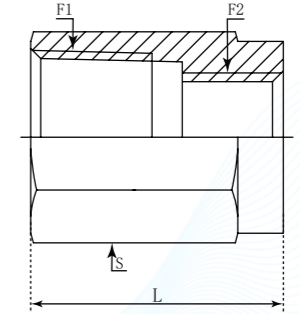
D	A	BP	F	1	28	F
Company	Product Range	Thread Types	Connection Type	Adaptor Structure	Thread Types	Connection Type
DME	Adaptor	BSPP	Female	Straight	NPTF	Female

German Technology Equipment

SHIELD FLEX

New-Standard

- DME&JDE Code: **DABPF128F**
- Product Type: **Hydraulic adaptor**
- Standard: **BSP**
- Structure: **Straight**
- Connection Type: **Female x Female**
- Thread Types: **BSPP Fixed Female x NPTF Fixed Female**



PART NUMBER	F1 (Thread)	F2 (Thread)	L	S
#	BSPP	NPTF	mm	mm
DABPF128F-0202	1/8"-28	1/8"-27	23.00	15.88
DABPF128F-0404	1/4"-19	1/4"-18	30.00	19.00
DABPF128F-0604	3/8"-19	1/4"-18	30.50	22.00
DABPF128F-0606	3/8"-19	3/8"-18	30.50	22.00
DABPF128F-0808	1/2"-14	1/2"-14	41.50	28.58
DABPF128F-1212	3/4"-14	3/4"-14	46.80	34.93
DABPF128F-1616	1"-11	1"-11-1/2	53.50	41.28
DABPF128F-2016	1-1/4"-11	1"-11-1/2	55.50	50.00
DABPF128F-2020	1-1/4"-11	1-1/4"-11-1/2	56.00	50.80
DABPF128F-2424	1-1/2"-11	1-1/2"-11-1/2	58.50	60.00
DABPF128F-3232	2"-11	2"-11-1/2	58.50	70.00



DABPF1081

Straight Connector BSPP Fixed Female – BSPP Swivel Female 60°

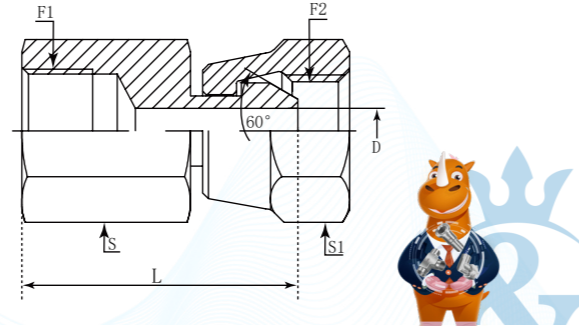
D	A	BP	F	1	081
Company	Product Range	Thread Types	Connection Type	Adaptor Structure	Thread Types
DME	Adaptor	BSPP	Male	Straight	BSPP Swivel Female

German Technology Equipment

SHIELD FLEX

New-Standard

- DME&JDE Code: **DABPF1081**
- Product Type: **Hydraulic adaptor**
- Standard: **BSP**
- Structure: **Straight**
- Connection Type: **Fixed Female x Swivel Female**
- Thread Types: **BSPP x BSPP 60°**



PART NUMBER	F1 (Thread)	F2 (Thread)	D	L	S	S1
#	BSPP	BSPP	mm	mm	mm	mm
DABPF1081-0404	1/4"-19	1/4"-19	4.70	30.50	19.00	19.00
DABPF1081-0606	3/8"-19	3/8"-19	7.90	33.00	22.00	22.00
DABPF1081-0808	1/2"-14	1/2"-14	11.10	39.00	27.00	27.00
DABPF1081-0812	1/2"-14	3/4"-14	16.70	42.00	27.00	32.00
DABPF1081-1212	3/4"-14	3/4"-14	16.70	45.00	32.00	32.00
DABPF1081-1616	1"-11	1"-11	22.20	52.00	41.00	41.00
DABPF1081-2020	1-1/4"-11	1-1/4"-11	28.60	56.00	50.00	50.00
DABPF1081-2424	1-1/2"-11	1-1/2"-11	33.3	61	55	55
DABPF1081-3232	2"-11	2"-11	46	63	70	70

DABP11081

Straight Connector BSPP Swivel Female 60° - BSPP Swivel Female 60°

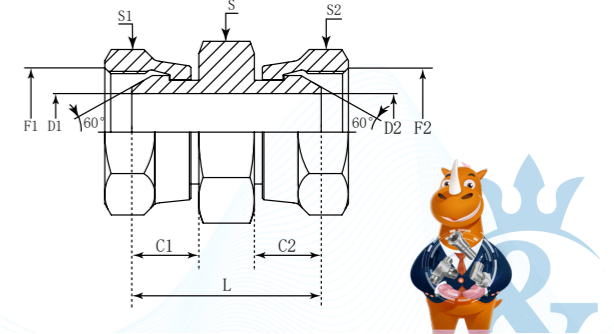
D	A	BP	1	1	081
Company	Product Range	Thread Types	Connection Type	Adaptor Structure	Connection Type
DME	Adaptor	BSPP	Swivel Female	Straight	BSPP Swivel Female

German Technology Equipment

SHIELD FLEX

New-Standard

- DME&JDE Code: **DABP11081**
- Product Type: **Hydraulic adaptor**
- Standard: **BSP**
- Structure: **Straight**
- Connection Type: **Swivel Female x Swivel Female**
- Thread Types: **BSPP Swivel Female x BSPP Swivel Female**



PART NUMBER	F1 (Thread)	F2 (Thread)	C1	C2	D1	D2	L	S	S1	S2
#	BSPP	BSPP	mm	mm	mm	mm	mm	mm	mm	mm
DABP11081-0404	1/4"-19	1/4"-19	11.50	11.50	4.70	4.70	29.00	14.00	19.00	19.00
DABP11081-0604	3/8"-19	1/4"-19	12.50	11.50	7.90	4.70	31.50	17.00	22.00	19.00
DABP11081-0606	3/8"-19	3/8"-19	12.50	12.50	7.10	7.10	32.50	17.00	22.00	22.00
DABP11081-0804	1/2"-14	1/4"-19	15.00	11.50	11.10	4.70	33.50	22.00	27.00	19.00
DABP11081-0806	1/2"-14	3/8"-19	15.00	12.50	11.10	7.90	34.50	22.00	27.00	22.00
DABP11081-0808	1/2"-14	1/2"-14	15.00	15.00	10.00	10.00	38.00	22.00	27.00	27.00
DABP11081-1008	5/8"-14	1/2"-14	15.50	15.00	12.30	11.10	39.00	24.00	30.00	27.00
DABP11081-1010	5/8"-14	5/8"-14	15.50	15.50	12.30	12.30	39.00	24.00	30.00	30.00
DABP11081-1208	3/4"-14	1/2"-14	17.50	15.00	16.70	11.10	41.00	27.00	32.00	27.00
DABP11081-1210	3/4"-14	5/8"-14	17.50	15.50	15.50	14.00	41.50	27.00	32.00	30.00
DABP11081-1212	3/4"-14	3/4"-14	17.50	17.50	15.50	15.50	43.50	27.00	32.00	32.00
DABP11081-1608	1"-11	1/2"-14	19.50	15.00	22.20	11.10	45.50	36.00	41.00	27.00
DABP11081-1612	1"-11	3/4"-14	19.50	17.50	22.20	16.70	49.00	36.00	41.00	32.00
DABP11081-1616	1"-11	1"-11	19.50	19.50	22.20	22.20	50.00	36.00	41.00	41.00
DABP11081-2012	1-1/4"-11	3/4"-14	21.00	17.50	26.00	16.70	51.50	41.00	50.00	32.00
DABP11081-2020	1-1/4"-11	1-1/4"-11	21.00	21.00	26.00	26.00	55.00	41.00	50.00	50.00
DABP11081-2420	1-1/2"-11	1-1/4"-11	22.00	21.00	33.30	28.60	57.00	50.00	55.00	50.00
DABP11081-2424	1-1/2"-11	1-1/2"-11	22.00	22.00	33.30	33.30	58.00	50.00	55.00	55.00
DABP11081-3232	2"-11	2"-11	23.00	23.00	46.00	46.00	61.50	60.00	70.00	70.00



DABP11251

Straight Connector BSPP Swivel Female 60° - JIC Swivel Female 74°

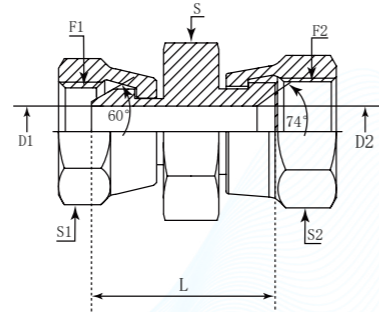
D	A	BP	1	1	251
Company	Product Range	Thread Types	Connection Type	Adaptor Structure	Connection Type
DME	Adaptor	BSPP	Swivel Female	Straight	JIC Swivel Female

German Technology Equipment

SHIELD FLEX

New-Standard

- DME&JDE Code: **DABP11251**
- Product Type: **Hydraulic adaptor**
- Standard: **BSP**
- Structure: **Straight**
- Connection Type: **Swivel Female × Swivel Female**
- Thread Types: **BSPP 60° × JIC UNF 74°**



PART NUMBER	F1 (Thread)	F2 (Thread)	D1	D2	L	S	S1	S2
#	BSPP	UNF	mm	mm	mm	mm	mm	mm
DABP11251-0404	1/4"-19	7/16"-20	4.37	4.37	26.00	14.00	19.00	17.00
DABP11251-0405	1/4"-19	1/2"-20	4.70	4.70	26.50	14.00	19.00	15.88
DABP11251-0406	1/4"-19	9/16"-18	4.70	7.54	27.00	14.00	19.00	19.00
DABP11251-0604	3/8"-19	7/16"-20	7.10	4.37	28.50	17.00	22.00	17.00
DABP11251-0605	3/8"-19	1/2"-20	7.10	5.94	29.00	17.00	22.00	15.88
DABP11251-0606	3/8"-19	9/16"-18	7.54	7.54	28.50	19.00	22.00	19.00
DABP11251-0608	3/8"-19	3/4"-16	7.10	9.93	33.50	20.64	22.00	22.23
DABP11251-0806	1/2"-14	9/16"-18	11.10	7.54	32.00	22.00	27.00	19.00
DABP11251-0808	1/2"-14	3/4"-16	9.93	9.93	34.00	22.00	27.00	22.00
DABP11251-0812	1/2"-14	1-1/16"-12	11.10	15.47	38.00	27.00	27.00	32.00
DABP11251-1010	5/8"-14	7/8"-14	12.29	12.29	35.50	24.00	30.00	27.00
DABP11251-1012	5/8"-14	1-1/16"-12	14.30	15.47	37.50	27.00	30.00	32.00
DABP11251-1208	3/4"-14	3/4"-16	16.70	9.93	37.50	27.00	32.00	22.23
DABP11251-1210	3/4"-14	7/8"-14	16.70	12.29	38.00	27.00	32.00	27.00
DABP11251-1212	3/4"-14	1-1/16"-12	15.47	15.47	40.00	27.00	32.00	32.00
DABP11251-1216	3/4"-14	1-5/16"-12	16.70	21.44	41.00	32.00	32.00	41.00
DABP11251-1612	1"-11	1-1/16"-12	22.20	15.47	45.00	36.00	41.00	32.00
DABP11251-1616	1"-11	1-5/16"-12	21.44	21.44	43.00	32.00	41.00	41.00
DABP11251-2020	1-1/4"-11	1-5/8"-12	26.00	26.00	49.50	41.00	50.00	50.00

DABTF107F

Straight Connector BSPT Female Fixed

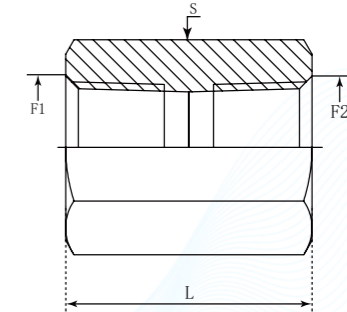
D	A	BT	F	1	07	F
Company	Product Range	Thread Types	Connection Type	Adaptor Structure	Thread Types	Connection Type
DME	Adaptor	BSPT	Female	Straight	BSPT	Fixed Female

German Technology Equipment

SHIELD FLEX

New-Standard

- DME&JDE Code: **DABTF107F**
- Product Type: **Hydraulic adaptor**
- Standard: **BSP**
- Structure: **Straight**
- Connection Type: **Female × Fixed Female**
- Thread Types: **BSPT × BSPT**



PART NUMBER	F1 (Thread)	F2 (Thread)	L	S
#	BSPP	BSPP	mm	mm
DABTF107F-0404	1/4"-19	1/4"-19	30.00	19.00
DABTF107F-0602	3/8"-19	1/8"-28	26.00	22.00
DABTF107F-0804	1/2"-14	1/4"-19	35.00	27.00
DABTF107F-0806	1/2"-14	3/8"-19	40.00	27.00
DABTF107F-0808	1/2"-14	1/2"-14	40.00	27.00
DABTF107F-1612	1"-11	3/4"-14	50.00	41.00
DABTF107F-1616	1"-11	1"-11	50.00	41.00
DABTF107F-2016	1-1/4"-11	1"-11	53.00	50.00
DABTF107F-2020	1-1/4"-11	1-1/4"-11	55.00	50.00
DABTF107F-2424	1-1/2"-11	1-1/2"-11	55.00	55.00
DABTF107F-3232	2"-11	2"-11	65.00	70.00



DABPM100S

Straight Adaptor BSPP Male 60° – Butt Welding

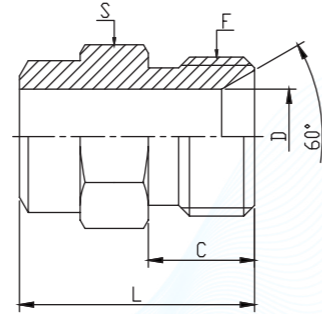
German Technology Equipment

SHIELD FLEX

New-Standard

- D** Company: DME
- A** Product Range: Adaptor
- BP** Thread Types: BSPP
- M** Connection Type: Male
- 1** Adaptor Structure: Straight
- 00** Sealing Type: Welding
- S** Welding Type: Butt

- DME&JDE Code: DABPM100S
- Product Type: Hydraulic adaptor
- Standard: BSP
- Structure: Straight
- Connection Type: Male
- Thread Types: BSPP
- Sealing Method: Butt Welding



PART NUMBER	F (Thread)	C	D	L	S
#	BSPP	mm	mm	mm	mm
DABPM100S-0414	1/4"-19	11.00	6.00	22.00	17.00
DABPM100S-0616	3/8"-19	12.00	9.50	26.00	17.00
DABPM100S-0820	1/2"-14	14.00	12.50	31.00	22.00
DABPM100S-1225	3/4"-14	16.00	16.70	37.00	27.00
DABPM100S-1632	1"-11	19.00	21.50	42.00	34.00
DABPM100S-2041	1-1/4"-11	20.00	27.50	46.00	42.00
DABPM100S-2446	1-1/2"-11	22.00	33.30	53.00	50.00

DABPM100B

Bonding (socket welding) Connector BSPP Male 60° – Metric / Imperial Tube

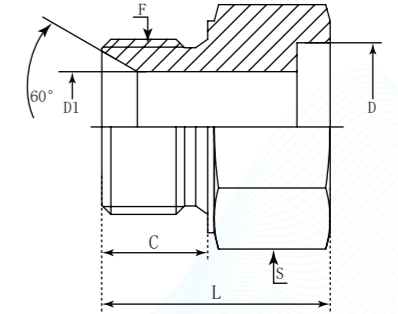
German Technology Equipment

SHIELD FLEX

New-Standard

- D** Company: DME
- A** Product Range: Adaptor
- BP** Thread Types: BSPP
- M** Connection Type: Male
- 1** Adaptor Structure: Straight
- 00** Sealing Type: Welding
- B** Welding Type: Socket Welding

- DME&JDE Code: DABPM100B
- Product Type: Hydraulic adaptor
- Standard: BSP
- Structure: Straight
- Connection Type: Male
- Thread Types: BSPP
- Sealing Type: Socket Welding



PART NUMBER	F (Thread)	C	D1	D	L	S
#	BSPP	mm	mm	mm	mm	mm
DABPM100B-0410	1/4"-19	11.00	4.70	9.60	22.00	19.00
DABPM100B-0612	3/8"-19	12.00	7.90	12.70	23.50	22.00
DABPM100B-0812	1/2"-14	14.00	11.10	12.70	30.00	27.00
DABPM100B-0820	1/2"-14	14.00	11.10	19.00	32.00	27.00
DABPM100B-1220	3/4"-14	16.00	16.70	19.00	34.50	32.00
DABPM100B-1625	1"-11	19.00	22.20	25.40	39.50	41.00
DABPM100B-2032	1-1/4"-11	20.00	28.60	31.80	39.50	50.00



DABTM100B

Bonding (socket welding) Connector BSPT Male 60° - Metric / Imperial Tube

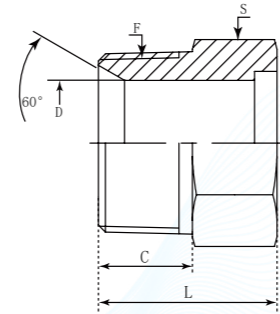
D	A	BT	M	1	00	B
Company	Product Range	Thread Types	Connection Type	Adaptor Structure	Thread Types	Connection Type
DME	Adaptor	BSPT	Male	Straight	Metric	Socket Welding

German Technology Equipment

SHIELD FLEX

New-Standard

- DME&JDE Code:** DABTM100B
- Product Type:** Hydraulic adaptor
- Standard:** BSP
- Structure:** Straight
- Connection Type:** Male
- Thread Types:** BSPT
- Sealing Method:** Socket Welding



PART NUMBER	F (Thread)	C	D	L	S
#	BSPT	mm	mm	mm	mm
DABTM100B-0406	1/4"-19	14.00	6.00	23.50	14.00
DABTM100B-0410	1/4"-19	14.00	6.00	24.50	14.00
DABTM100B-0610	3/8"-19	15.00	6.00	25.00	19.00
DABTM100B-0612	3/8"-19	15.00	9.00	25.00	19.00
DABTM100B-0812	1/2"-14	19.00	12.00	32.00	22.00
DABTM100B-0816	1/2"-14	19.00	12.00	33.00	22.00
DABTM100B-0820	1/2"-14	19.00	12.00	36.00	24.00
DABTM100B-1220	3/4"-14	20.00	16.70	36.00	30.00
DABTM100B-1225	3/4"-14	20.00	16.70	37.00	32.00
DABTM100B-1625	1"-11	24.00	22.20	42.50	36.00
DABTM100B-3250	2"-11	30.00	46.00	47.00	66.68

Web: <https://www.dmejde.com>
E-mail: info@dmejde.com



Certificate:

DABTM1000

Male Plug BSPT Male 60°

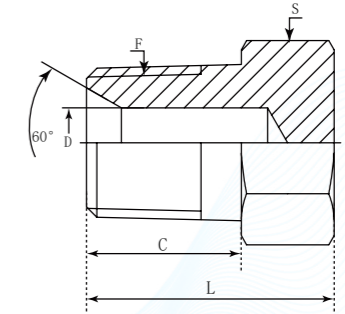
D	A	BT	M	1	000
Company	Product Range	Thread Types	Connection Type	Adaptor Structure	Connection Type
DME	Adaptor	BSPT	Male	Straight	Male Plug

German Technology Equipment

SHIELD FLEX

New-Standard

- DME&JDE Code:** DABTM1000
- Product Type:** Hydraulic adaptor
- Standard:** BSP
- Structure:** Straight
- Connection Type:** Male x Male
- Thread Types:** Male Plug BSPT Male 60°



PART NUMBER	F (Thread)	C	D	L	S
#	BSPP	mm	mm	mm	mm
DABTM1000-0200	1/8"-28	10.00	4.50	16.00	12.00
DABTM1000-0400	1/4"-19	14.00	6.00	21.00	14.00
DABTM1000-0600	3/8"-19	14.50	9.00	21.00	19.00
DABTM1000-0800	1/2"-14	19.00	11.00	27.00	32.00
DABTM1000-1000	5/8"-14	19.00	14.00	29.00	24.00
DABTM1000-1200	3/4"-14	19.00	16.70	28.00	29.00
DABTM1000-1600	1"-11	24.00	22.20	36.00	36.00
DABTM1000-2000	1-1/4"-11	25.00	28.50	37.50	46.00
DABTM1000-2400	1-1/2"-11	25.00	33.50	40.00	50.00
DABTM1000-3200	2"-11	30.00	45.00	45.00	65.00

Web: <https://www.dmejde.com>
E-mail: info@dmejde.com



Certificate:

DABP1100B

Straight Welding Connector BSPP Swivel Female – Metric/Imperial Tube

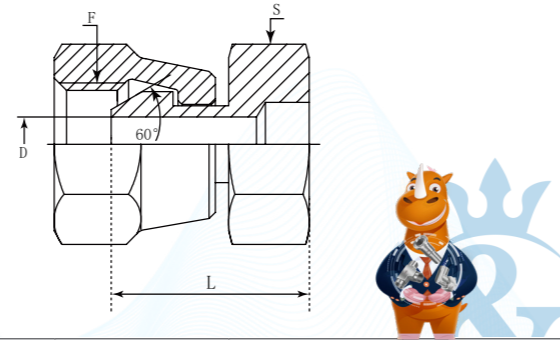
German Technology Equipment

SHIELD FLEX

New-Standard

- D** Company: **DME**
- A** Product Range: Adaptor
- BP** Thread Types: BSPP
- 1** Connection Type: Swivel Female
- 1** Adaptor Structure: Straight
- 00** Sealing Type: Welding
- B** Welding Type: Socket Welding

- DME&JDE Code:** DABP1100B
- Product Type:** Hydraulic adaptor
- Standard:** BSP
- Structure:** Straight
- Connection Type:** Swivel Female
- Thread Types:** BSPP
- Sealing Method:** Socket Welding



PART NUMBER	F (Thread)	D	L	S	S1
#	BSPP	mm	mm	mm	mm
DABP1100B-0406	1/4"-19	4.7	20	14	19
DABP1100B-0610	3/8"-19	7.90	22.00	17.00	22.00
DABP1100B-0812	1/2"-14	11.10	24.00	19.00	27.00
DABP1100B-1220	3/4"-14	16.70	31.00	27.00	32.00
DABP1100B-1625	1"-11	22.20	33.00	32.00	41.00
DABP1100B-2032	1-1/4"-11	28.60	37.50	41.00	50.00
DABP1100B-2438	1-1/2"-11	33.30	40.00	50.00	55.00

DABPM105T

Straight Bulkhead Connector BSPP Male 60°- BSPP Male 60°

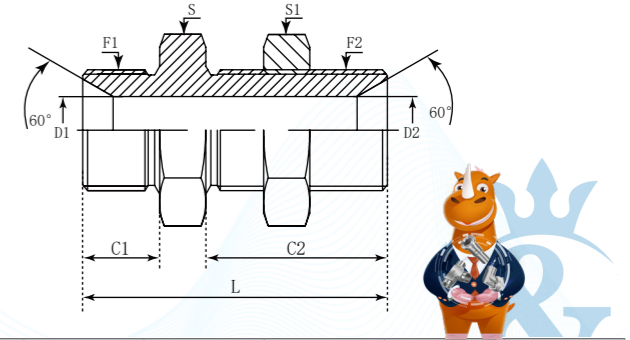
German Technology Equipment

SHIELD FLEX

New-Standard

- D** Company: **DME**
- A** Product Range: Adaptor
- BP** Thread Types: BSPP
- M** Connection Type: Male
- 1** Adaptor Structure: Straight
- 05** Thread Types: BSPP
- T** Other Features: Bulkhead

- DME&JDE Code:** DABPM105T
- Product Type:** Hydraulic adaptor
- Standard:** BSP
- Structure:** Straight
- Connection Type:** Male x Male
- Thread Types:** BSPP 60° x BSPP 60°
- Other Features:** Bulkhead



PART NUMBER	F1 (Thread)	F2 (Thread)	C1	C2	D1	D2	L	S	S1
#	BSPP	BSPP	mm	mm	mm	mm	mm	mm	mm
DABPM105T-0202	1/8"-28	1/8"-28	9.00	25.00	3.50	3.50	41.50	14.00	14.00
DABPM105T-0404	1/4"-19	1/4"-19	11.00	28.00	4.70	4.70	46.00	19.00	19.00
DABPM105T-0606	3/8"-19	3/8"-19	12.00	31.00	7.90	7.90	52.00	22.00	22.00
DABPM105T-0808	1/2"-14	1/2"-14	14.00	35.00	11.10	11.10	59.00	27.00	27.00
DABPM105T-1010	5/8"-14	5/8"-14	16.00	35.00	14.00	14.00	63.00	30.00	30.00
DABPM105T-1212	3/4"-14	3/4"-14	16.00	38.00	16.70	16.70	66.00	32.00	32.00
DABPM105T-1616	1"-11	1"-11	19.00	41.00	22.20	22.20	75.00	41.00	41.00
DABPM105T-2020	1-1/4"-11	1-1/4"-11	20.00	44.00	28.60	28.60	83.00	50.00	50.00
DABPM105T-2424	1-1/2"-11	1-1/2"-11	22.00	48.00	33.30	33.30	93.00	55.00	55.00
DABPM105T-3232	2"-11	2"-11	25.00	59.00	46.00	46.00	100.00	70.00	70.00



DABPM105T-ED

Straight Bulkhead Connector BSPP Male 60° ED Seal - BSPP 60° Male

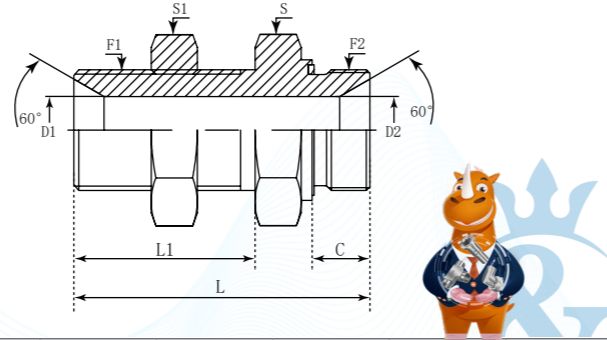
D	A	BP	M	1	05	T	ED
Company	Product Range	Thread Types	Connection Type	Adaptor Structure	Thread Types	Connection Type	Sealing Method
DME	Adaptor	BSPP	Male	Straight	BSPP	Bulkhead Connector	ED Ring

German Technology Equipment

SHIELD FLEX

New-Standard

- DME&JDE Code: **DABPM105T-ED**
- Product Type: **Hydraulic adaptor**
- Standard: **BSP**
- Structure: **Straight**
- Connection Type: **Male x Male**
- Thread Types: **BSPP 60° ED Ring x BSPP 60° Cone**
- Sealing Method: **ED Seal**
- Other Features: **Bulkhead**



PART NUMBER	F1 (Thread)	F2 (Thread)	C	D1	D2	L1	L	S	S1
#	BSPP	NPTF	mm	mm	mm	mm	mm	mm	mm
DABPM105T-0404ED	1/4"-19	1/4"-19	12.00	4.70	4.70	35.00	55.00	19.00	19.00
DABPM105T-0606ED	3/8"-19	3/8"-19	12.00	7.90	7.90	35.00	57.50	22.00	22.00
DABPM105T-0808ED	1/2"-14	1/2"-14	14.00	11.10	11.10	39.00	66.00	27.00	27.00
DABPM105T-1212ED	3/4"-14	3/4"-14	16.00	16.70	16.70	42.00	72.00	32.00	32.00
DABPM105T-1616ED	1"-11	1"-11	18.00	22.20	22.20	50.00	84.00	41.00	41.00
DABPM105T-2020ED	1-1/4"-11	1-1/4"-11	20.00	28.60	28.60	52.00	90.00	50.00	50.00
DABPM105T-2424ED	1-1/2"-11	1-1/2"-11	22.00	33.30	33.30	56.00	96.00	55.00	55.00
DABPM105T-3232ED	2"-11	2"-11	22.00	46.00	46.00	59.00	100.00	70.00	70.00

DABPLN

BSPP Bulkhead Nut

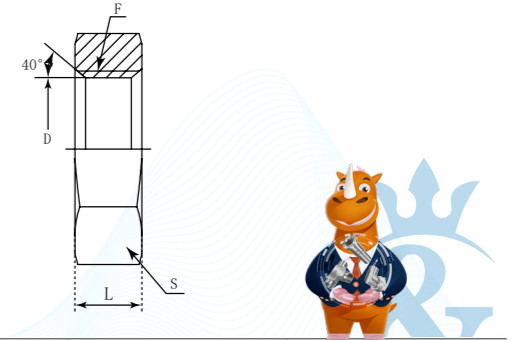
D	A	BP	LN
Company	Product Range	Thread Types	Other Features
DME	Adaptor	BSPP	Bulkhead

German Technology Equipment

SHIELD FLEX

New-Standard

- DME&JDE Code: **DABPLN**
- Product Type: **Hydraulic adaptor**
- Standard: **BSP**
- Structure: **Straight**
- Thread Types: **BSPP Bulkhead Nut**
- Other Features: **Bulkhead**



PART NUMBER	F (Thread)	D	L	S
#	BSPP	mm	mm	mm
DABPLN-0200	1/8"-28	8.60	5.50	14.00
DABPLN-0400	1/4"-19	11.50	6.50	19.00
DABPLN-0600	3/8"-19	15.00	7.00	22.00
DABPLN-0800	1/2"-14	18.70	8.00	27.00
DABPLN-1000	5/8"-14	20.70	9.00	30.00
DABPLN-1200	3/4"-14	24.12	10.50	32.00
DABPLN-1600	1"-11	30.40	10.50	41.00
DABPLN-2000	1-1/4"-11	39.00	13.00	50.00
DABPLN-2400	1-1/2"-11	45.00	15.00	55.00
DABPLN-3200	2"-11	56.80	15.00	70.00



DABPM405M

45° Elbow Connector BSPP Male 60° - BSPP 60° Male

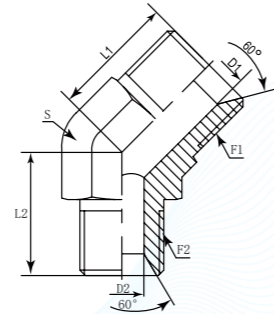
D	A	BP	M	4	05	M
Company	Product Range	Thread Types	Connection Type	Adaptor Structure	Thread Types	Connection Type
DME	Adaptor	BSPP	Male	45° Elbow	BSPP	Male

German Technology Equipment

SHIELD FLEX

New-Standard

- DME&JDE Code: **DABPM405M**
- Product Type: **Hydraulic adaptor**
- Standard: **BSP**
- Structure: **45° Elbow**
- Connection Type: **Male x Male**
- Thread Types: **BSPP 60° x BSPP 60°**



PART NUMBER	F1 (Thread)	F2 (Thread)	D1	D2	L1	L2	S
#	BSPP	BSPP	mm	mm	mm	mm	mm
DABPM405M-0402	1/4"-19	1/8"-28	4.70	3.50	21.00	20.00	14.00
DABPM405M-0404	1/4"-19	1/4"-19	4.70	4.70	21.00	21.00	14.00
DABPM405M-0604	3/8"-19	1/4"-19	7.90	4.70	22.00	21.00	19.00
DABPM405M-0806	1/2"-14	3/8"-19	11.10	7.90	28.00	26.00	22.00
DABPM405M-0808	1/2"-14	1/2"-14	11.10	11.10	28.00	28.00	22.00
DABPM405M-1010	5/8"-14	5/8"-14	14.00	14.00	29.00	29.00	22.00
DABPM405M-1208	3/4"-14	1/2"-14	16.70	11.10	32.00	30.00	27.00
DABPM405M-1212	3/4"-14	3/4"-14	16.70	16.70	32.00	32.00	27.00
DABPM405M-1612	1"-11	3/4"-14	22.20	16.70	37.60	33.00	33.00
DABPM405M-1616	1"-11	1"-11	22.20	22.20	37.50	37.50	33.00
DABPM405M-2016	1-1/4"-11	1"-11	28.60	22.20	40.00	40.00	41.00
DABPM405M-2020	1-1/4"-11	1-1/4"-11	28.60	28.60	40.00	40.00	41.00
DABPM405M-2424	1-1/2"-11	1-1/2"-11	33.30	33.30	45.00	45.00	48.00
DABPM405M-3232	2"-11	2"-11	46.00	46.00	52.50	52.50	63.50

DABPM407M

45° Elbow Connector BSPP Male 60° - BSPT Male 60°

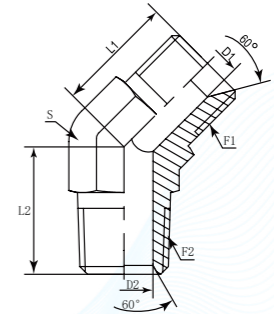
D	A	BP	M	4	07	M
Company	Product Range	Thread Types	Connection Type	Adaptor Structure	Thread Types	Connection Type
DME	Adaptor	BSPP	Male	45° Elbow	BSPT	Male

German Technology Equipment

SHIELD FLEX

New-Standard

- DME&JDE Code: **DABPM407M**
- Product Type: **Hydraulic adaptor**
- Standard: **BSP**
- Structure: **45° Elbow**
- Connection Type: **Male x Male**
- Thread Types: **BSPP 60° x BSPT 60°**



PART NUMBER	F1 (Thread)	F2 (Thread)	L1	L2	D1	D2	S
#	BSPP	BSPP	mm	mm	mm	mm	mm
DABPM407M-0404	1/4"-19	1/4"-19	21.00	21.00	4.70	6.00	14.00
DABPM407M-0606	3/8"-19	3/8"-19	23.00	23.00	7.90	9.00	19.00
DABPM407M-0808	1/2"-14	1/2"-14	27.50	27.50	11.10	12.00	22.00
DABPM407M-1212	3/4"-14	3/4"-14	30.50	30.50	16.00	16.00	27.00
DABPM407M-1616	1"-11	1"-11	37.50	37.50	22.20	22.20	33.00



DABPM428M

45° Elbow Connector BSPP Male 60° - NPTF Male 60°

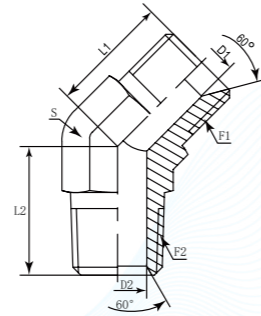
D	A	BP	M	4	28	M
Company	Product Range	Thread Types	Connection Type	Adaptor Structure	Thread Types	Connection Type
DME	Adaptor	BSPP	Male	45° Elbow	NPTF	Male

German Technology Equipment

SHIELD FLEX

New-Standard

- DME&JDE Code: **DABPM428M**
- Product Type: **Hydraulic adaptor**
- Standard: **BSP**
- Structure: **45° Elbow**
- Connection Type: **Male x Male**
- Thread Types: **BSPP 60° x NPTF 60°**



PART NUMBER	F1 (Thread)	F2 (Thread)	L1	L2	D1	D2	S
#	BSPP	NPTF	mm	mm	mm	mm	mm
DABPM428M-0202	1/8"-28	1/8"-27	18.00	16.50	3.50	4.78	11.00
DABPM428M-0404	1/4"-19	1/4"-18	21.00	22.00	4.70	7.14	14.00
DABPM428M-0606	3/8"-19	3/8"-18	23.00	24.00	7.90	10.31	19.00
DABPM428M-0808	1/2"-14	1/2"-14	26.00	29.50	11.10	13.49	22.00
DABPM428M-1212	3/4"-14	3/4"-14	32.00	30.50	16.70	18.26	27.00
DABPM428M-1616	1"-11	1"-11-1/2	37.00	38.00	22.20	23.83	33.00
DABPM428M-2020	1-1/4"-11	1-1/4"-11-1/2	39.00	42.00	28.60	31.75	41.00
DABPM428M-2424	1-1/2"-11	1-1/2"-11-1/2	45.00	45.00	33.30	38.10	48.00
DABPM428M-3232	2"-11	2"-11-1/2	56.50	53.60	46.00	49.23	65.00

DABTM407M

45° Elbow Connector BSPT Male 60° - BSPT Male 60°

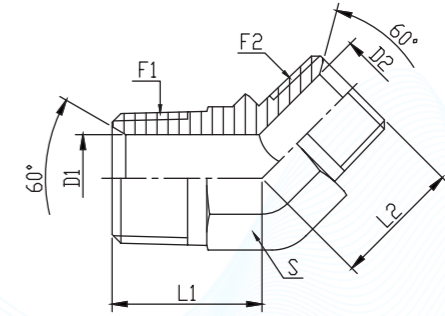
D	A	BT	M	4	07	M
Company	Product Range	Thread Types	Connection Type	Adaptor Structure	Thread Types	Connection Type
DME	Adaptor	BSPT	Male	45° Elbow	BSPT	Male

German Technology Equipment

SHIELD FLEX

New-Standard

- DME&JDE Code: **DABTM407M**
- Product Type: **Hydraulic adaptor**
- Standard: **BSP**
- Structure: **45° Elbow**
- Connection Type: **Male x Male**
- Thread Types: **BSPT 60° x BSPT 60°**



PART NUMBER	F1 (Thread)	F2 (Thread)	D1	D2	L1	L2	S
#	BSPT	BSPT	mm	mm	mm	mm	mm
DABTM407M-0202	1/8"-28	1/8"-28	4.50	4.50	17.00	17.00	11.00
DABTM407M-0404	1/4"-19	1/4"-19	6.00	6.00	21.00	21.00	14.00
DABTM407M-0606	3/8"-19	3/8"-19	9.00	9.00	23.00	23.00	19.00
DABTM407M-0808	1/2"-14	1/2"-14	12.00	12.00	29.50	29.50	22.00
DABTM407M-1208	3/4"-14	1/2"-14	16.70	12.00	30.50	30.00	27.00
DABTM407M-1212	3/4"-14	3/4"-14	16.70	16.70	30.50	30.50	27.00
DABTM407M-1612	1"-11	3/4"-14	22.20	16.70	38.00	32.50	33.00
DABTM407M-1616	1"-11	1"-11	22.20	22.20	38.00	38.00	33.00
DABTM407M-2020	1-1/4"-11	1-1/4"-11	28.60	28.60	43.00	43.00	41.00
DABTM407M-2424	1-1/2"-11	1-1/2"-11	33.30	33.30	45.00	45.00	48.00



DABPM406Q

45° Adjustable Elbow BSPP Male 60° - BSPP Male + O Ring + Retaining Ring

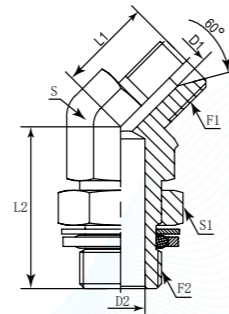
D	A	BP	M	4	06	0
Company	Product Range	Thread Types	Connection Type	Adaptor Structure	Thread Types	Connection Type
DME	Adaptor	BSPP	Male	45° Adjustable Elbow	BSPP	Male + O Ring + Retaining Ring

German Technology Equipment

SHIELD FLEX

New-Standard

- DME&JDE Code: **DABPM406Q**
- Product Type: **Hydraulic adaptor**
- Standard: **BSP**
- Structure: **45° Elbow**
- Connection Type: **Adjustable Male x Male**
- Thread Types: **BSPP 60° x BSPP**
- Sealing Method: **O Ring + Retaining Ring**



PART NUMBER	F1 (Thread)	F2 (Thread)	L1	L2	D1	D2	S	S1
#	BSPP	BSPP	mm	mm	mm	mm	mm	mm
DABPM406Q-0202	1/8"-28	1/8"-28	18.00	26.00	3.50	4.40	11.10	14.00
DABPM406Q-0404	1/4"-19	1/4"-19	21.00	28.00	4.70	7.50	14.00	19.00
DABPM406Q-0406	1/4"-19	3/8"-19	20.00	33.00	4.70	9.90	19.00	22.00
DABPM406Q-0604	3/8"-19	1/4"-19	21.00	32.00	7.90	7.50	19.00	19.00
DABPM406Q-0606	3/8"-19	3/8"-19	21.06	33.00	7.90	9.90	19.00	22.00
DABPM406Q-0608	3/8"-19	1/2"-14	22.50	38.60	7.90	12.30	22.00	27.00
DABPM406Q-0806	1/2"-14	3/8"-19	24.30	34.50	11.10	9.90	22.00	22.00
DABPM406Q-0808	1/2"-14	1/2"-14	24.30	38.60	11.10	12.30	22.00	27.00
DABPM406Q-1212	3/4"-14	3/4"-14	27.50	43.90	16.70	15.50	27.00	36.00
DABPM406Q-1616	1"-11	1"-11	37.00	47.20	22.20	21.50	33.00	41.00
DABPM406Q-2020	1-1/4"-11	1-1/4"-11	40.00	49.00	28.60	27.50	41.00	50.00
DABPM406Q-2424	1-1/2"-11	1-1/2"-11	45.00	50.00	33.30	30.00	48.00	55.00
DABPM406Q-3232	2"-11	2"-11	52.50	50.50	46.00	45.00	63.50	70.00

DABPM4065

45° Adjustable Elbow BSPP Male 60° - BSPP Male + O Ring

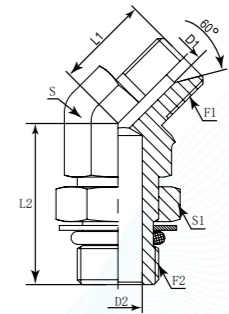
D	A	BP	M	4	06	5
Company	Product Range	Thread Types	Connection Type	Adaptor Structure	Thread Types	Connection Type
DME	Adaptor	BSPP	Male	45° Elbow	BSPP	Male + O Ring

German Technology Equipment

SHIELD FLEX

New-Standard

- DME&JDE Code: **DABPM4065**
- Product Type: **Hydraulic adaptor**
- Standard: **BSP**
- Structure: **45° Elbow**
- Adaptor Connection Type: **Adjustable Male x Male**
- Thread Types: **BSPP 60° x BSPP 60° O Ring**
- Sealing Method: **O Ring**



PART NUMBER	F1 (Thread)	F2 (Thread)	L1	L2	D1	D2	S	S1
#	BSPP	BSPP	mm	mm	mm	mm	mm	mm
DABPM4065-0202	1/8"-28	1/8"-28	18.00	26.00	3.50	4.40	11.10	14.00
DABPM4065-0404	1/4"-19	1/4"-19	21.00	28.00	4.70	7.50	14.00	19.00
DABPM4065-0406	1/4"-19	3/8"-19	20.00	33.00	4.70	9.90	19.00	22.00
DABPM4065-0604	3/8"-19	1/4"-19	21.00	32.00	7.90	7.50	19.00	19.00
DABPM4065-0606	3/8"-19	3/8"-19	21.06	33.00	7.90	9.90	19.00	22.00
DABPM4065-0608	3/8"-19	1/2"-14	22.50	38.60	7.90	12.30	22.00	27.00
DABPM4065-0806	1/2"-14	3/8"-19	24.30	34.50	11.10	9.90	22.00	22.00
DABPM4065-0808	1/2"-14	1/2"-14	24.30	38.60	11.10	12.30	22.00	27.00
DABPM4065-1212	3/4"-14	3/4"-14	27.50	43.90	16.70	15.50	27.00	36.00
DABPM4065-1616	1"-11	1"-11	37.00	47.20	22.20	21.50	33.00	41.00
DABPM4065-2020	1-1/4"-11	1-1/4"-11	40.00	49.00	28.60	27.50	41.00	50.00
DABPM4065-2424	1-1/2"-11	1-1/2"-11	45.00	50.00	33.30	30.00	48.00	55.00
DABPM4065-3232	2"-11	2"-11	52.50	50.50	46.00	45.00	63.50	70.00



DABPM4305

45° Adjustable Elbow BSPP Male 60° – SAE Male + O Ring

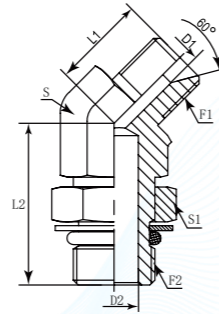
D	A	BP	M	4	30	5
Company	Product Range	Thread Types	Connection Type	Adaptor Structure	Thread Types	Sealing Type
DME	Adaptor	BSPP	Male	45° Elbow	SAE	O Ring

German Technology Equipment

SHIELD FLEX

New-Standard

- DME&JDE Code:** DABPM4305
- Product Type:** Hydraulic adaptor
- Standard:** BSP
- Structure:** 45° Elbow
- Connection Type:** Male × Male
- Thread Types:** BSPP 60° × SAE UNF Male
- Sealing Method:** O Ring



PART NUMBER	F1 (Thread)	F2 (Thread)	L1	L2	D1	D2	S	S1
#	BSPP	UNF	mm	mm	mm	mm	mm	mm
DABPM4305-0204	1/8"-28	7/16"-20	18.00	26.70	3.50	4.37	11.00	14.00
DABPM4305-0205	1/8"-28	1/2"-20	20.00	26.70	3.50	5.94	11.00	17.00
DABPM4305-0405	1/4"-19	1/2"-20	21.00	29.00	4.70	5.94	14.00	17.00
DABPM4305-0406	1/4"-19	9/16"-18	21.00	29.00	4.70	7.54	14.00	19.00
DABPM4305-0606	3/8"-19	9/16"-18	25.00	30.00	7.90	7.54	19.00	19.00
DABPM4305-0608	3/8"-19	3/4"-16	25.00	33.00	7.90	9.93	19.00	22.00
DABPM4305-0808	1/2"-14	3/4"-16	28.00	35.00	11.10	9.93	22.00	22.00
DABPM4305-0810	1/2"-14	7/8"-14	28.00	38.50	11.10	12.29	22.00	27.00
DABPM4305-0812	1/2"-14	1-1/16"-12	30.00	44.00	11.10	15.47	27.00	32.00
DABPM4305-1010	5/8"-14	7/8"-14	28.00	38.50	14.30	12.29	22.00	27.00
DABPM4305-1210	3/4"-14	7/8"-14	32.00	40.50	16.70	12.29	27.00	27.00
DABPM4305-1212	3/4"-14	1-1/16"-12	32.00	44.00	16.70	15.47	27.00	32.00
DABPM4305-1216	3/4"-14	1-5/16"-12	35.00	47.20	16.70	21.44	33.00	38.00
DABPM4305-1616	1"-11	1-5/16"-12	37.00	47.20	22.20	21.44	33.00	38.00
DABPM4305-1620	1"-11	1-5/8"-12	39.00	48.50	22.20	27.38	41.00	48.00
DABPM4305-2020	1-1/4"-11	1-5/8"-12	40.00	48.50	28.60	27.38	41.00	48.00
DABPM4305-2024	1-1/4"-11	1-7/8"-12	45.00	48.50	28.60	33.32	48.00	55.00
DABPM4305-2424	1-1/2"-11	1-7/8"-12	45.00	48.50	33.30	33.32	48.00	55.00

DABPM452Q

45° Adjustable Elbow BSPP Male 60° - Metric Male + O Ring + Retaining Ring

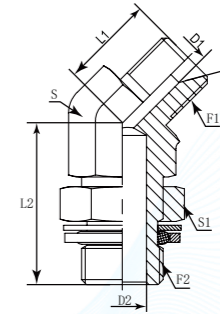
D	A	BP	M	4	52	0
Company	Product Range	Thread Types	Connection Type	Adaptor Structure	Thread Types	Connection Type
DME	Adaptor	BSPP	Male	45° Elbow	Metric	Male + O Ring + Retaining Ring

German Technology Equipment

SHIELD FLEX

New-Standard

- DME&JDE Code:** DABPM452Q
- Product Type:** Hydraulic adaptor
- Standard:** BSP
- Structure:** 45° Elbow
- Connection Type:** Adjustable Male × Male
- Thread Types:** BSPP 60° × Metric
- Sealing Method:** O Ring + Retaining Ring



PART NUMBER	F1 (Thread)	F2 (Thread)	L1	L2	D1	D2	S	S1
#	BSPP	Metric	mm	mm	mm	mm	mm	mm
DABPM452Q-0210	1/8"-28	M10X1	18.00	26.00	3.50	4.50	11.00	14.00
DABPM452Q-0212	1/8"-28	M12X1.5	21.00	28.00	3.50	6.00	14.00	17.00
DABPM452Q-0412	1/4"-19	M12X1.5	21.00	28.00	4.70	6.00	14.00	17.00
DABPM452Q-0414	1/4"-19	M14X1.5	21.00	28.00	4.70	7.50	14.00	19.00
DABPM452Q-0416	1/4"-19	M16X1.5	25.00	33.00	4.70	9.00	19.00	22.00
DABPM452Q-0614	3/8"-19	M14X1.5	25.00	30.00	7.90	7.50	14.00	19.00
DABPM452Q-0616	3/8"-19	M16X1.5	25.00	33.00	7.90	9.00	19.00	22.00
DABPM452Q-0618	3/8"-19	M18X1.5	25.00	33.00	7.90	11.00	19.00	24.00
DABPM452Q-0818	1/2"-14	M18X1.5	28.00	35.00	11.10	11.00	22.00	24.00
DABPM452Q-0820	1/2"-14	M20X1.5	28.00	38.00	11.10	12.50	22.00	27.00
DABPM452Q-0822	1/2"-14	M22X1.5	28.00	38.00	11.10	14.00	22.00	27.00
DABPM452Q-1022	5/8"-14	M22X1.5	28.00	38.00	14.30	14.00	22.00	27.00
DABPM452Q-1222	3/4"-14	M22X1.5	32.00	40.00	16.70	14.00	27.00	27.00
DABPM452Q-1226	3/4"-14	M26X1.5	32.00	44.00	16.70	17.00	27.00	32.00
DABPM452Q-1227	3/4"-14	M27X2	32.00	44.00	16.70	18.00	27.00	32.00
DABPM452Q-1627	1"-11	M27X2	37.00	47.00	22.20	18.00	33.00	32.00
DABPM452Q-1633	1"-11	M33X2	37.00	47.00	22.20	23.00	33.00	41.00
DABPM452Q-2042	1-1/4"-11	M42X2	40.00	49.00	28.60	30.00	41.00	50.00
DABPM452Q-2448	1-1/2"-11	M48X2	45.00	49.00	33.30	36.00	48.00	55.00



DABPM4525

45° Adjustable Elbow BSPP Male 60°- Metric Male + O Ring

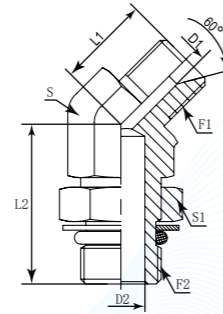
D	A	BP	M	4	52	5
Company	Product Range	Thread Types	Connection Type	Adaptor Structure	Thread Types	Connection Type
DME	Adaptor	BSPP	Male	45° Elbow	Metric	O Ring

German Technology Equipment

SHIELD FLEX

New-Standard

- DME&JDE Code: **DABPM4525**
- Product Type: **Hydraulic adaptor**
- Standard: **BSP**
- Structure: **45° Elbow**
- Connection Type: **Adjustable Male x Male**
- Thread Types: **BSPP 60° x Metric O Ring**
- Sealing Method: **O Ring**



PART NUMBER	F1 (Thread)	F2 (Thread)	L1	L2	D1	D2	S	S1
#	BSPP	Metric	mm	mm	mm	mm	mm	mm
DABPM4525-0210	1/8"-28	M10X1	18.00	26.00	3.50	4.50	11.00	14.00
DABPM4525-0212	1/8"-28	M12X1.5	21.00	28.00	3.50	6.00	14.00	17.00
DABPM4525-0412	1/4"-19	M12X1.5	21.00	28.00	4.70	6.00	14.00	17.00
DABPM4525-0414	1/4"-19	M14X1.5	21.00	28.00	4.70	7.50	14.00	19.00
DABPM4525-0416	1/4"-19	M16X1.5	25.00	33.00	4.70	9.00	19.00	22.00
DABPM4525-0614	3/8"-19	M14X1.5	25.00	30.00	7.90	7.50	14.00	19.00
DABPM4525-0616	3/8"-19	M16X1.5	25.00	33.00	7.90	9.00	19.00	22.00
DABPM4525-0618	3/8"-19	M18X1.5	25.00	33.00	7.90	11.00	19.00	24.00
DABPM4525-0818	1/2"-14	M18X1.5	28.00	35.00	11.10	11.00	22.00	24.00
DABPM4525-0820	1/2"-14	M20X1.5	28.00	38.00	11.10	12.50	22.00	27.00
DABPM4525-0822	1/2"-14	M22X1.5	28.00	38.00	11.10	14.00	22.00	27.00
DABPM4525-1022	5/8"-14	M22X1.5	28.00	38.00	14.30	14.00	22.00	27.00
DABPM4525-1222	3/4"-14	M22X1.5	32.00	40.00	16.70	14.00	27.00	27.00
DABPM4525-1226	3/4"-14	M26X1.5	32.00	44.00	16.70	17.00	27.00	32.00
DABPM4525-1227	3/4"-14	M27X2	32.00	44.00	16.70	18.00	27.00	32.00
DABPM4525-1627	1"-11	M27X2	37.00	47.00	22.20	18.00	33.00	32.00
DABPM4525-1633	1"-11	M33X2	37.00	47.00	22.20	23.00	33.00	41.00
DABPM4525-2042	1-1/4"-11	M42X2	40.00	49.00	28.60	30.00	41.00	50.00
DABPM4525-2448	1-1/2"-11	M48X2	45.00	49.00	33.30	36.00	48.00	55.00

DABPM4081

45° Elbow Connector BSPP Male 60° - BSPP Swivel Female 60°

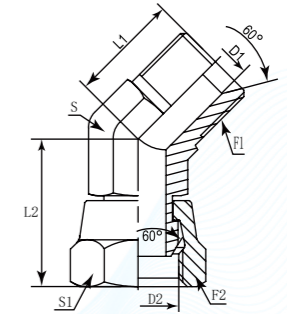
D	A	BP	M	4	081
Company	Product Range	Thread Types	Connection Type	Adaptor Structure	Connection Type
DME	Adaptor	BSPP	Male	45° Elbow	BSPP Swivel Female

German Technology Equipment

SHIELD FLEX

New-Standard

- DME&JDE Code: **DABPM4081**
- Product Type: **Hydraulic adaptor**
- Standard: **BSP**
- Structure: **45° Elbow**
- Connection Type: **Male x Swivel Female**
- Thread Types: **BSPP 60° x BSPP 60°**



PART NUMBER	F1 (Thread)	F2 (Thread)	L1	L2	D1	D2	S	S1
#	BSPP	BSPP	mm	mm	mm	mm	mm	mm
DABPM4081-0202	1/8"-28	1/8"-28	16.00	16.00	3.50	3.50	11.00	14.00
DABPM4081-0404	1/4"-19	1/4"-19	21.00	23.00	4.70	4.70	14.00	19.00
DABPM4081-0606	3/8"-19	3/8"-19	25.00	26.00	7.90	7.90	19.00	22.00
DABPM4081-0808	1/2"-14	1/2"-14	28.00	26.50	11.10	11.10	22.00	27.00
DABPM4081-1010	5/8"-14	5/8"-14	28.00	30.00	14.00	14.00	22.00	30.00
DABPM4081-1212	3/4"-14	3/4"-14	32.00	35.00	16.70	16.70	27.00	32.00
DABPM4081-1616	1"-11	1"-11	37.00	37.00	22.20	22.20	33.00	41.00
DABPM4081-2020	1-1/4"-11	1-1/4"-11	40.00	40.00	28.60	28.60	41.00	50.00
DABPM4081-2424	1-1/2"-11	1-1/2"-11	45.00	45.00	33.30	33.30	48.00	55.00



DABPM4251

45° Elbow Connector BSPP Male 60° Cone – JIC Swivel Female 74°

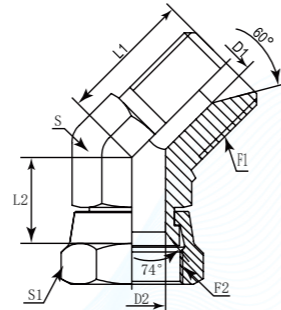
D	A	BP	M	4	251
Company	Product Range	Thread Types	Connection Type	Adaptor Structure	Connection Type
DME	Adaptor	BSPP	Male	45° Elbow	JIC Swivel Female

German Technology Equipment

SHIELD FLEX

New-Standard

- DME&JDE Code: **DABPM4251**
- Product Type: **Hydraulic adaptor**
- Standard: **BSP**
- Structure: **45° Elbow**
- Adaptor Connection Type: **Male x Swivel Female**
- Thread Types: **BSPP 60° Cone x JIC UNF 74°**



PART NUMBER	F1 (Thread)	F2 (Thread)	D1	D2	L1	L2	S	S1
#	BSPP	UNF	mm	mm	mm	mm	mm	mm
DABPM4251-0404	1/4"-19	7/16"-20	4.70	4.40	21.00	15.20	14.00	14.00
DABPM4251-0606	3/8"-19	9/16"-18	7.90	7.50	24.00	19.00	19.00	19.00
DABPM4251-0808	1/2"-14	3/4"-16	11.10	9.90	27.00	21.80	22.00	22.00
DABPM4251-1212	3/4"-14	1-1/16"-12	16.70	15.50	32.00	23.80	27.00	32.00
DABPM4251-1616	1"-11	1-5/16"-12	22.20	21.50	35.00	29.30	33.00	41.00

DABTM4081

45° Elbow Connector BSPT Male 60° - BSPP Swivel Female 60°

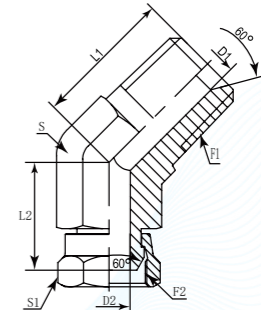
D	A	BT	M	4	081
Company	Product Range	Thread Types	Connection Type	Adaptor Structure	Connection Type
DME	Adaptor	BSPP	Male	45° Elbow	BSPP Swivel Female

German Technology Equipment

SHIELD FLEX

New-Standard

- DME&JDE Code: **DABTM4081**
- Product Type: **Hydraulic adaptor**
- Standard: **BSP**
- Structure: **45° Elbow**
- Connection Type: **Male x Swivel Female**
- Thread Types: **BSPT 60° x BSPP 60°**



PART NUMBER	F1 (Thread)	F2 (Thread)	D1	D2	L1	L2	S	S1
#	BSPT	BSPP	mm	mm	mm	mm	mm	mm
DABTM4081-0202	1/8"-28	1/8"-28	4.50	3.50	17.00	12.80	11.00	14.00
DABTM4081-0404	1/4"-19	1/4"-19	6.00	4.70	21.00	16.30	14.00	19.00
DABTM4081-0606	3/8"-19	3/8"-19	9.00	7.90	24.00	18.50	19.00	22.00
DABTM4081-0808	1/2"-14	1/2"-14	12.00	11.10	29.50	22.00	22.00	27.00
DABTM4081-1212	3/4"-14	3/4"-14	16.70	16.70	30.50	23.00	27.00	32.00
DABTM4081-1616	1"-11	1"-11	22.20	22.20	38.00	28.50	33.00	41.00
DABTM4081-2020	1-1/4"-11	1-1/4"-11	28.60	28.60	42.40	40.00	41.00	50.00
DABTM4081-2424	1-1/2"-11	1-1/2"-11	33.30	33.30	45.00	36.80	48.00	55.00



DABPF428M

45° Elbow Connector BSPP Fixed Female - NPTF Male 60°

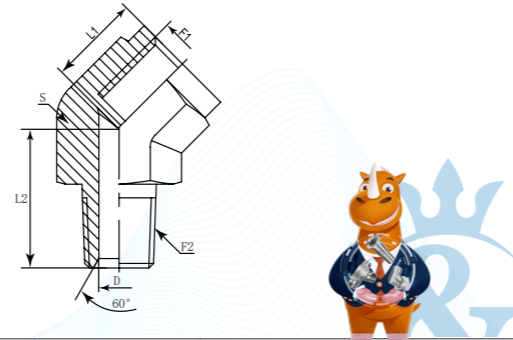
D	A	BP	F	4	28	M
Company	Product Range	Thread Types	Connection Type	Adaptor Structure	Thread Types	Connection Type
DME	Adaptor	BSPP	Female	45° Elbow	NPTF	Male

German Technology Equipment

SHIELD FLEX

New-Standard

- DME&JDE Code: **DABPF428M**
- Product Type: **Hydraulic adaptor**
- Standard: **BSP**
- Structure: **45° Elbow**
- Connection Type: **Fixed Female x Male**
- Thread Types: **BSPP x NPTF 60°**



PART NUMBER	F1 (Thread)	F2 (Thread)	L1	L2	D	S
#	BSPP	NPTF	mm	mm	mm	mm
DABPF428M-0202	1/8"-28	1/8"-27	13.00	18.00	4.78	14.00
DABPF428M-0404	1/4"-19	1/4"-18	18.00	26.50	7.14	19.00
DABPF428M-0606	3/8"-19	3/8"-18	19.50	27.00	10.31	22.00
DABPF428M-0808	1/2"-14	1/2"-14	24.50	34.00	13.49	27.00
DABPF428M-1212	3/4"-14	3/4"-14	26.00	35.00	18.26	33.00
DABPF428M-1616	1"-11	1"-11-1/2	31.00	44.00	23.83	41.00
DABPF428M-2020	1-1/4"-11	1-1/4"-11-1/2	37.00	45.50	31.75	48.00
DABPF428M-2424	1-1/2"-11	1-1/2"-11-1/2	43.00	53.00	38.10	65.00
DABPF428M-3232	2"-11	2"-11-1/2	55.00	57.00	49.23	70.00

DABPF407M

45° Elbow Connector BSPP Fixed Female - BSPT Male

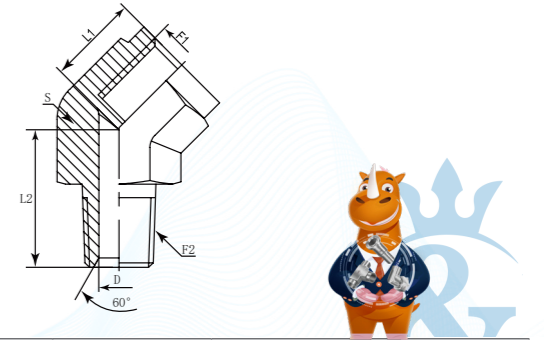
D	A	BP	F	4	07	M
Company	Product Range	Thread Types	Connection Type	Adaptor Structure	Thread Types	Connection Type
DME	Adaptor	BSPP	Female	45° Elbow	BSPT	Male

German Technology Equipment

SHIELD FLEX

New-Standard

- DME&JDE Code: **DABPF407M**
- Product Type: **Hydraulic adaptor**
- Standard: **BSP**
- Structure: **45° Elbow**
- Connection Type: **Fixed Female x Male**
- Thread Types: **BSPP x BSPT**



PART NUMBER	F1 (Thread)	F2 (Thread)	L1	L2	D	S
#	BSPP	NPTF	mm	mm	mm	mm
DABPF407M-0202	1/8"-28	1/8"-28	15.50	18.00	4.50	14.00
DABPF407M-0404	1/4"-19	1/4"-19	21.00	26.50	6.00	19.00
DABPF407M-0606	3/8"-19	3/8"-19	22.00	27.00	9.00	22.00
DABPF407M-0808	1/2"-14	1/2"-14	26.00	34.00	12.00	27.00
DABPF407M-1212	3/4"-14	3/4"-14	29.50	35.00	16.70	33.00
DABPF407M-1616	1"-11	1"-11	33.00	44.00	22.20	41.00
DABPF407M-2020	1-1/4"-11	1-1/4"-11	39.00	45.50	28.60	48.00
DABPF407M-2424	1-1/2"-11	1-1/2"-11	43.00	53.00	33.30	65.00
DABPF407M-3232	2"-11	2"-11	55.00	57.00	45.00	70.00



DABP14305

45° Adjustable Elbow BSPP Swivel Female 60° - SAE Male O Ring

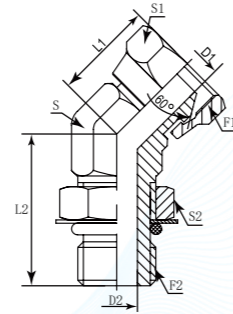
D	A	BP	1	4	30	5
Company	Product Range	Thread Types	Connection Type	Adaptor Structure	Thread Types	Connection Type
DME	Adaptor	BSPP	Swivel Female	45° Elbow	SAE UNF	O Ring

German Technology Equipment

SHIELD FLEX

New-Standard

- DME&JDE Code:** DABP14305
- Product Type:** Hydraulic adaptor
- Standard:** BSP
- Structure:** 45° Elbow
- Connection Type:** Adjustable Swivel Female x Male
- Thread Types:** BSPP 60° x SAE UNF
- Sealing Method:** O Ring



PART NUMBER	F1 (Thread)	F2 (Thread)	L1	L2	D1	D2	S	S1	S2
#	BSPP	UNF	mm	mm	mm	mm	mm	mm	mm
DABP14305-0204	1/8"-28	7/16"-20	25.00	26.70	3.50	4.37	11.00	14.00	14.00
DABP14305-0205	1/8"-28	1/2"-20	25.00	26.70	3.50	5.94	14.00	14.00	17.00
DABP14305-0405	1/4"-19	1/2"-20	25.00	29.00	4.50	5.94	14.00	19.00	17.00
DABP14305-0406	1/4"-19	9/16"-18	25.00	29.00	4.50	7.54	14.00	19.00	19.00
DABP14305-0606	3/8"-19	9/16"-18	30.00	30.00	7.10	7.54	19.00	22.00	19.00
DABP14305-0608	3/8"-19	3/4"-16	30.00	33.00	7.10	9.93	19.00	22.00	20.00
DABP14305-0808	1/2"-14	3/4"-16	33.00	35.00	11.10	9.93	22.00	27.00	22.00
DABP14305-0810	1/2"-14	7/8"-14	33.00	38.60	11.10	12.29	22.00	27.00	27.00
DABP14305-0812	1/2"-14	1-1/16"-12	39.00	43.90	11.10	15.47	27.00	27.00	32.00
DABP14305-1010	5/8"-14	7/8"-14	38.00	38.60	12.00	12.29	22.00	30.00	27.00
DABP14305-1210	3/4"-14	7/8"-14	41.00	40.50	15.50	12.29	27.00	32.00	27.00
DABP14305-1212	3/4"-14	1-1/16"-12	41.00	43.90	15.50	15.47	27.00	32.00	32.00
DABP14305-1216	3/4"-14	1-5/16"-12	44.00	47.20	15.50	21.44	33.00	32.00	38.00
DABP14305-1616	1"-11	1-5/16"-12	46.00	47.20	22.20	21.44	33.00	41.00	38.00
DABP14305-1620	1"-11	1-5/8"-12	46.00	48.50	22.20	27.38	41.00	41.00	48.00
DABP14305-2020	1-1/4"-11	1-5/8"-12	48.00	48.50	28.60	27.38	41.00	50.00	48.00
DABP14305-2024	1-1/4"-11	1-7/8"-12	52.00	48.50	28.60	33.32	48.00	50.00	55.00
DABP14305-2424	1-1/2"-11	1-7/8"-12	55.00	48.50	33.30	33.32	48.00	55.00	55.00



DABP1406Q

45° Adjustable Elbow BSPP Swivel Female 60° - BSPP Male + O Ring + Retaining Ring

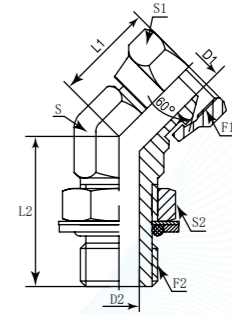
D	A	BP	1	4	06	0
Company	Product Range	Thread Types	Connection Type	Adaptor Structure	Thread Types	Connection Type
DME	Adaptor	BSPP	Swivel Female	45° Elbow	BSPP	Male + O Ring + Retaining Ring

German Technology Equipment

SHIELD FLEX

New-Standard

- DME&JDE Code:** DABP1406Q
- Product Type:** Hydraulic adaptor
- Standard:** BSP
- Structure:** 45° Elbow
- Connection Type:** Adjustable Swivel Female x Male
- Thread Types:** BSPP 60° x BSPP
- Sealing Method:** O Ring + Retaining Ring



PART NUMBER	F1 (Thread)	F2 (Thread)	L1	L2	D1	D2	S	S1	S2
#	BSPP	BSPP	mm	mm	mm	mm	mm	mm	mm
DABP1406Q-0404	1/4"-19	1/4"-19	21.00	28.00	4.70	7.50	14.00	19.00	19.00
DABP1406Q-0606	3/8"-19	3/8"-19	21.50	33.00	7.90	9.90	19.00	22.00	22.00
DABP1406Q-0808	1/2"-14	1/2"-14	23.50	38.00	11.10	12.30	22.00	27.00	27.00
DABP1406Q-1212	3/4"-14	3/4"-14	28.00	44.00	16.70	15.50	27.00	32.00	36.00
DABP1406Q-1616	1"-11	1"-11	35.00	47.20	22.20	21.50	33.00	41.00	41.00



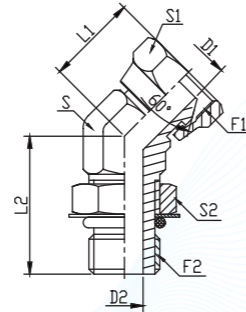
DABP14525

45° Adjustable Elbow BSPP Swivel Female - Metric Male + O Ring

D	A	BP	1	4	52	5
Company	Product Range	Thread Types	Connection Type	Adaptor Structure	Thread Types	Connection Type
DME	Adaptor	BSPP	Swivel Female	45° Elbow	Metric	Male + O Ring



- DME&JDE Code:** DABP14525
- Product Type:** Hydraulic adaptor
- Standard:** BSP
- Structure:** 45° Elbow
- Connection Type:** Adjustable Swivel Female x Male
- Thread Types:** BSPP x Metric
- Sealing Method:** O Ring



PART NUMBER	F1 (Thread)	F2 (Thread)	L1	L2	D1	D2	S	S1	S2
#	BSPP	Metric	mm	mm	mm	mm	mm	mm	mm
DABP14525-0210	1/8"-28	M10X1	25.00	26.00	3.50	4.50	11.00	14.00	14.00
DABP14525-0212	1/8"-28	M12X1.5	25.00	28.00	3.50	6.00	14.00	14.00	17.00
DABP14525-0412	1/4"-19	M12X1.5	27.00	28.00	4.50	6.00	14.00	19.00	17.00
DABP14525-0414	1/4"-19	M14X1.5	27.00	28.00	4.50	7.50	14.00	19.00	19.00
DABP14525-0416	1/4"-19	M16X1.5	28.00	33.00	4.50	9.00	19.00	19.00	22.00
DABP14525-0614	3/8"-19	M14X1.5	30.00	30.00	7.90	7.50	14.00	22.00	19.00
DABP14525-0616	3/8"-19	M16X1.5	30.00	33.00	7.90	9.00	19.00	22.00	22.00
DABP14525-0618	3/8"-19	M18X1.5	30.00	33.00	7.90	11.00	19.00	22.00	24.00
DABP14525-0818	1/2"-14	M18X1.5	33.00	35.00	11.10	11.00	19.00	27.00	24.00
DABP14525-0820	1/2"-14	M20X1.5	33.00	38.00	11.10	12.50	22.00	27.00	27.00
DABP14525-0822	1/2"-14	M22X1.5	33.00	38.00	11.10	14.00	22.00	27.00	27.00
DABP14525-1022	5/8"-14	M22X1.5	33.00	38.00	12.00	14.00	22.00	30.00	27.00
DABP14525-1222	3/4"-14	M22X1.5	41.00	40.00	16.70	14.00	27.00	32.00	27.00
DABP14525-1226	3/4"-14	M26X1.5	41.00	44.00	16.70	17.00	27.00	32.00	32.00
DABP14525-1227	3/4"-14	M27X2	41.00	44.00	16.70	18.00	27.00	32.00	32.00
DABP14525-1627	1"-11	M27X2	46.00	47.00	22.20	18.00	33.00	41.00	32.00
DABP14525-1633	1"-11	M33X2	46.00	47.00	22.20	23.00	33.00	41.00	41.00
DABP14525-2042	1-1/4"-11	M42X2	48.00	49.00	28.60	30.00	41.00	50.00	50.00
DABP14525-2448	1-1/2"-11	M48X2	55.00	49.00	33.30	36.00	48.00	55.00	55.00

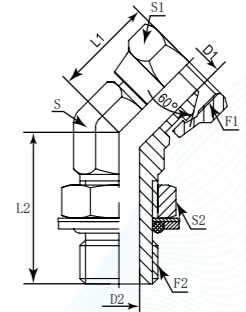
DABP1452Q

45° Adjustable Elbow BSPP Swivel Female 60° - Metric Male + O Ring + Retaining Ring

D	A	BP	1	4	52	0
Company	Product Range	Thread Types	Connection Type	Adaptor Structure	Thread Types	Connection Type
DME	Adaptor	BSPP	Swivel Female	45° Elbow	Metric	Male + O Ring + Retaining Ring



- DME&JDE Code:** DABP1452Q
- Product Type:** Hydraulic adaptor
- Standard:** BSP
- Structure:** 45° Elbow
- Connection Type:** Adjustable Swivel Female x Male
- Thread Types:** BSPP 60° x Metric
- Sealing Method:** O Ring + Retaining Ring



PART NUMBER	F1 (Thread)	F2 (Thread)	L1	L2	D1	D2	S	S1	S2
#	BSPP	Metric	mm	mm	mm	mm	mm	mm	mm
DABP1452Q-0210	1/8"-28	M10X1	25.00	26.00	3.50	4.50	11.00	14.00	14.00
DABP1452Q-0212	1/8"-28	M12X1.5	25.00	28.00	3.50	6.00	14.00	14.00	17.00
DABP1452Q-0412	1/4"-19	M12X1.5	27.00	28.00	4.50	6.00	14.00	19.00	17.00
DABP1452Q-0414	1/4"-19	M14X1.5	27.00	28.00	4.50	7.50	14.00	19.00	19.00
DABP1452Q-0416	1/4"-19	M16X1.5	28.00	33.00	4.50	9.00	19.00	19.00	22.00
DABP1452Q-0614	3/8"-19	M14X1.5	30.00	30.00	7.90	7.50	14.00	22.00	19.00
DABP1452Q-0616	3/8"-19	M16X1.5	30.00	33.00	7.90	9.00	19.00	22.00	22.00
DABP1452Q-0618	3/8"-19	M18X1.5	30.00	33.00	7.90	11.00	19.00	22.00	24.00
DABP1452Q-0818	1/2"-14	M18X1.5	33.00	35.00	11.10	11.00	19.00	27.00	24.00
DABP1452Q-0820	1/2"-14	M20X1.5	33.00	38.00	11.10	12.50	22.00	27.00	27.00
DABP1452Q-0822	1/2"-14	M22X1.5	33.00	38.00	11.10	14.00	22.00	27.00	27.00
DABP1452Q-1022	5/8"-14	M22X1.5	33.00	38.00	12.00	14.00	22.00	30.00	27.00
DABP1452Q-1222	3/4"-14	M22X1.5	41.00	40.00	16.70	14.00	27.00	32.00	27.00
DABP1452Q-1226	3/4"-14	M26X1.5	41.00	44.00	16.70	17.00	27.00	32.00	32.00
DABP1452Q-1227	3/4"-14	M27X2	41.00	44.00	16.70	18.00	27.00	32.00	32.00
DABP1452Q-1627	1"-11	M27X2	46.00	47.00	22.20	18.00	33.00	41.00	32.00
DABP1452Q-1633	1"-11	M33X2	46.00	47.00	22.20	23.00	33.00	41.00	41.00
DABP1452Q-2042	1-1/4"-11	M42X2	48.00	49.00	28.60	30.00	41.00	50.00	50.00
DABP1452Q-2448	1-1/2"-11	M48X2	55.00	49.00	33.30	36.00	48.00	55.00	55.00

DABP14065

45° Adjustable Elbow BSPP Swivel Female 60° - BSPP Male + O Ring

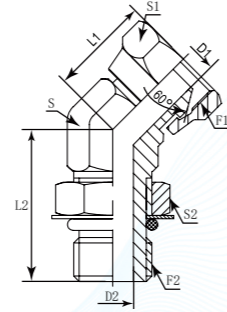
D	A	BP	1	4	06	5
Company	Product Range	Thread Types	Connection Type	Adaptor Structure	Thread Types	Connection Type
DME	Adaptor	BSPP	Swivel Female	45° Elbow	BSPP	Male + O Ring

German Technology Equipment

SHIELD FLEX

New-Standard

- DME&JDE Code:** DABP14065
- Product Type:** Hydraulic adaptor
- Standard:** BSP
- Structure:** 45° Elbow
- Connection Type:** Adjustable Swivel Female × Male
- Thread Types:** BSPP 60° × BSPP + O Ring
- Sealing Method:** O Ring



PART NUMBER	F1 (Thread)	F2 (Thread)	L1	L2	D1	D2	S	S1	S2
#	BSPP	BSPP	mm	mm	mm	mm	mm	mm	mm
DABP14065-0404	1/4"-19	1/4"-19	21.00	28.00	4.70	7.50	14.00	19.00	19.00
DABP14065-0606	3/8"-19	3/8"-19	21.50	33.00	7.90	9.90	19.00	22.00	22.00
DABP14065-0808	1/2"-14	1/2"-14	23.50	38.00	11.10	12.30	22.00	27.00	27.00
DABP14065-1212	3/4"-14	3/4"-14	28.00	44.00	16.70	15.50	27.00	32.00	36.00
DABP14065-1616	1"-11	1"-11	35.00	47.20	22.20	21.50	33.00	41.00	41.00

DABPF405F

45° Elbow Connector BSPP Fixed Female - BSPP Fixed Female

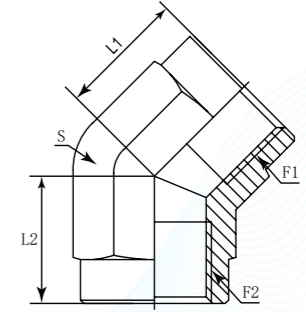
D	A	BP	F	4	05	F
Company	Product Range	Thread Types	Connection Type	Adaptor Structure	Thread Types	Connection Type
DME	Adaptor	BSPP	Female	45° Elbow	BSPP	Female

German Technology Equipment

SHIELD FLEX

New-Standard

- DME&JDE Code:** DABPF405F
- Product Type:** Hydraulic adaptor
- Standard:** BSP
- Structure:** 45° Elbow
- Connection Type:** Fixed Female × Fixed Female
- Thread Types:** BSPP × BSPP



PART NUMBER	F1 (Thread)	F2 (Thread)	L1	L2	S
#	BSPP	BSPP	mm	mm	mm
DABPF405F-0202	1/8"-28	1/8"-28	13.00	13.00	14.00
DABPF405F-0404	1/4"-19	1/4"-19	18.00	18.00	19.00
DABPF405F-0606	3/8"-19	3/8"-19	19.00	19.00	22.00
DABPF405F-0808	1/2"-14	1/2"-14	23.90	23.90	27.00
DABPF405F-1212	3/4"-14	3/4"-14	25.50	25.50	33.00
DABPF405F-1616	1"-11	1"-11	31.00	31.00	41.00



DABP14081

45° Elbow Connector BSPP Swivel Female 60° - BSPP 60° Swivel Female 45°

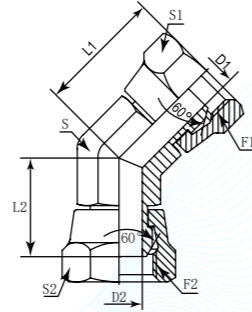
D	A	BP	1	4	081
Company	Product Range	Thread Types	Connection Type	Adaptor Structure	Thread Types
DME	Adaptor	BSPP	Swivel Female	45° Elbow	BSPP Swivel Female

German Technology Equipment

SHIELD FLEX

New-Standard

- DME&JDE Code: **DABP14081**
- Product Type: **Hydraulic adaptor**
- Standard: **BSP**
- Structure: **45° Elbow**
- Connection Type: **Swivel Female × Swivel Female**
- Thread Types: **BSPP 60° × BSPP 60°**



PART NUMBER	F1 (Thread)	F2 (Thread)	D1	D2	L1	L2	S	S1	S1
#			mm	mm	mm	mm	mm	mm	mm
DABP14081-0202	1/8"-28	1/8"-28	3.50	3.50	16.00	16.00	11.00	14.00	14.00
DABP14081-0404	1/4"-19	1/4"-19	4.70	4.70	23.00	23.00	14.00	19.00	19.00
DABP14081-0606	3/8"-19	3/8"-19	7.90	7.90	26.00	26.00	19.00	22.00	22.00
DABP14081-0808	1/2"-14	1/2"-14	11.10	11.10	26.50	26.50	22.00	27.00	27.00
DABP14081-1212	3/4"-14	3/4"-14	16.70	16.70	32.00	32.00	27.00	32.00	32.00
DABP14081-1616	1"-11	1"-11	22.20	22.20	37.00	37.00	33.00	41.00	41.00
DABP14081-2020	1-1/4"-11	1-1/4"-11	28.60	28.60	40.00	40.00	41.00	50.00	50.00
DABP14081-2424	1-1/2"-11	1-1/2"-11	33.00	33.00	45.00	45.00	48.00	55.00	55.00



DABTF407F

45° Elbow Connector BSPT Fixed Female - BSPT Fixed Female

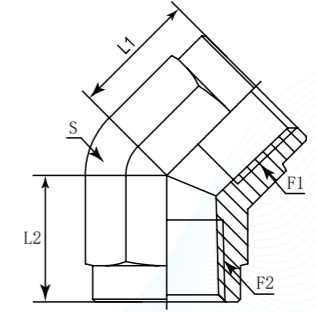
D	A	BT	F	4	07	F
Company	Product Range	Thread Types	Connection Type	Adaptor Structure	Thread Types	Connection Type
DME	Adaptor	BSPT	Female	45° Elbow	BSPT	Female

German Technology Equipment

SHIELD FLEX

New-Standard

- DME&JDE Code: **DABTF407F**
- Product Type: **Hydraulic adaptor**
- Standard: **BSP**
- Structure: **45° Elbow**
- Connection Type: **Fixed Female × Fixed Female**
- Thread Types: **BSPT × BSPT**



PART NUMBER	F1 (Thread)	F2 (Thread)	L1	L2	S
#	BSPT	BSPT	mm	mm	mm
DABTF407F-0202	1/8"-28	1/8"-28	12.70	12.70	14.28
DABTF407F-0404	1/4"-19	1/4"-19	17.50	17.50	19.05
DABTF407F-0606	3/8"-19	3/8"-19	19.10	19.10	22.22
DABTF407F-0808	1/2"-14	1/2"-14	23.10	23.10	27.00
DABTF407F-1212	3/4"-14	3/4"-14	25.40	25.40	33.32
DABTF407F-1616	1"-11	1"-11	30.20	30.20	41.27



DABPM905M

90° Elbow Connector BSPP Male 60° - BSPP 60° Male

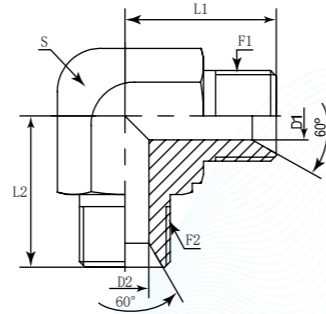
D	A	BP	M	9	05	M
Company	Product Range	Thread Types	Connection Type	Adaptor Structure	Thread Types	Connection Type
DME	Adaptor	BSPP	Male	90° Elbow	BSPP	Male

German Technology Equipment



New-Standard

- DME&JDE Code: **DABPM905M**
- Product Type: **Hydraulic adaptor**
- Standard: **BSP**
- Structure: **90° Elbow**
- Connection Type: **Male x Male**
- Thread Types: **BSPP 60° x BSPP 60°**



PART NUMBER	F1 (Thread)	F2 (Thread)	L1	L2	D1	D2	S
#	BSPP	BSPP	mm	mm	mm	mm	mm
DABPM905M-0202	1/8"-28	1/8"-28	20.00	20.00	3.50	3.50	11.00
DABPM905M-0404	1/4"-19	1/4"-19	27.00	27.00	4.70	4.70	14.00
DABPM905M-0604	3/8"-19	1/4"-19	29.00	29.00	7.90	4.70	19.00
DABPM905M-0606	3/8"-19	3/8"-19	29.00	29.00	9.00	9.00	19.00
DABPM905M-0806	1/2"-14	3/8"-14	35.00	35.00	11.10	7.90	22.00
DABPM905M-0808	1/2"-14	1/2"-14	34.00	34.00	11.10	11.10	22.00
DABPM905M-1010	5/8"-14	5/8"-14	37.00	37.00	14.00	14.00	27.00
DABPM905M-1212	3/4"-14	3/4"-14	43.00	43.00	16.70	16.70	27.00
DABPM905M-1616	1"-11	1"-11	48.00	48.00	22.00	22.00	33.00
DABPM905M-2020	1-1/4"-11	1-1/4"-11	52.30	52.30	28.60	28.60	41.00
DABPM905M-2424	1-1/2"-11	1-1/2"-11	60.50	60.50	33.30	33.30	48.00
DABPM905M-3232	2"11	2"11	75.00	75.00	46.00	46.00	65.00



DABPM905M-SQ

90° Elbow Connector Square BSPP Male 60° - BSPP 60° Male

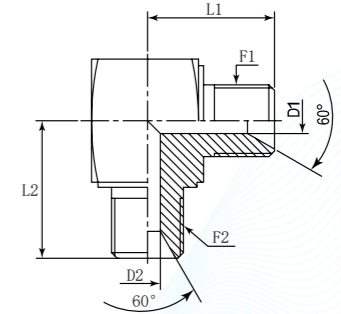
D	A	BP	M	9	05	M	SQ
Company	Product Range	Thread Types	Connection Type	Adaptor Structure	Thread Types	Connection Type	Body Type
DME	Adaptor	BSPP	Male	90° Elbow	BSPP	Male	Square

German Technology Equipment



New-Standard

- DME&JDE Code: **DABPM905-SQ**
- Product Type: **Hydraulic adaptor**
- Standard: **BSP**
- Structure: **90° Elbow**
- Connection Type: **Male x Male**
- Thread Types: **BSPP 60° x BSPP 60°**



PART NUMBER	F1 (Thread)	F2 (Thread)	L1	L2	D1	D2
#	BSPP	BSPP	mm	mm	mm	mm
DABPM905M-0404-SQ	1/4"-19	1/4"-19	22.50	22.50	4.70	4.70
DABPM905M-0606-SQ	3/8"-19	3/8"-19	26.00	26.00	7.90	7.90
DABPM905M-0808-SQ	1/2"-14	1/2"-14	30.00	30.00	11.10	11.10
DABPM905M-1212-SQ	3/4"-14	3/4"-14	34.00	34.00	16.70	16.70
DABPM905M-1616-SQ	1"-11	1"-11	44.00	44.00	22.00	22.00



DABPM907M

90° Elbow Connector BSPP Male 60° - BSPT Male 60°

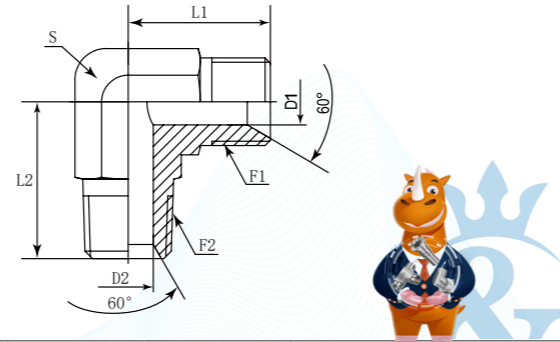
D	A	BP	M	9	07	M
Company	Product Range	Thread Types	Connection Type	Adaptor Structure	Thread Types	Connection Type
DME	Adaptor	BSPP	Male	90° Elbow	BSPT	Male

German Technology Equipment

SHIELD FLEX

New-Standard

- DME&JDE Code: **DABPM907M**
- Product Type: **Hydraulic adaptor**
- Standard: **BSP**
- Structure: **90° Elbow**
- Connection Type: **Male x Male**
- Thread Types: **BSPP 60° x BSPT 60°**



PART NUMBER	F1 (Thread)	F2 (Thread)	L1	L2	D1	D2	S
#	BSPT	BSPT	mm	mm	mm	mm	mm
DABPM907M-0202	1/8"-28	1/8"-28	20.00	20.00	3.50	4.50	11.00
DABPM907M-0402	1/4"-28	1/8"-28	27.00	23.50	4.70	4.50	14.00
DABPM907M-0404	1/4"-19	1/4"-19	27.00	27.00	5.00	6.00	14.00
DABPM907M-0606	3/8"-19	3/8"-19	29.00	31.00	7.90	9.00	19.00
DABPM907M-0806	1/2"-14	3/8"-19	34.00	33.00	11.10	9.00	22.00
DABPM907M-0808	1/2"-14	1/2"-14	34.00	37.50	11.10	12.00	22.00
DABPM907M-1212	3/4"-14	3/4"-14	40.00	40.00	16.70	16.70	27.00
DABPM907M-1616	1"-11	1"-11	45.00	45.00	22.20	22.20	33.00
DABPM907M-2020	1-1/4"-11	1-1/4"-11	52.00	60.00	28.60	28.60	41.00
DABPM907M-2424	1-1/2"-11	1-1/2"-11	60.50	67.10	33.30	33.30	48.00
DABPM907M-3232	2"-11	2"-11	75.00	75.00	46.00	46.00	65.00

DABPM928M

90° Elbow Connector BSPP Male 60° - NPTF Male 60°

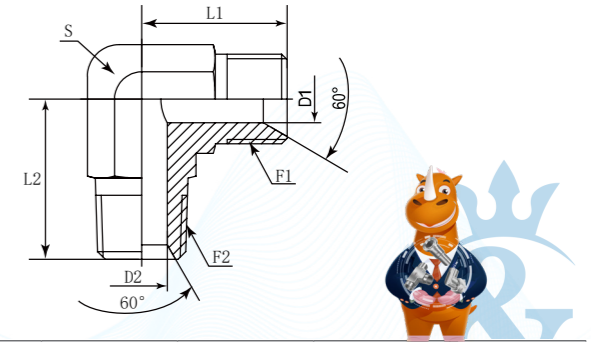
D	A	BP	M	9	28	M
Company	Product Range	Thread Types	Connection Type	Adaptor Structure	Thread Types	Connection Type
DME	Adaptor	BSPP	Male	90° Elbow	NPTF	Male

German Technology Equipment

SHIELD FLEX

New-Standard

- DME&JDE Code: **DABPM928M**
- Product Type: **Hydraulic adaptor**
- Standard: **BSP**
- Structure: **90° Elbow**
- Connection Type: **Male x Male**
- Thread Types: **BSPP 60° x NPTF 60°**



PART NUMBER	F1 (Thread)	F2 (Thread)	L1	L2	D1	D2	S
#	BSPP	NPTF	mm	mm	mm	mm	mm
DABPM928M-0202	1/8"-28	1/8"-27	20.00	20.00	3.50	4.78	11.00
DABPM928M-0402	1/4"-19	1/8"-27	27.00	22.40	4.70	4.78	14.00
DABPM928M-0404	1/4"-19	1/4"-18	27.00	27.70	5.00	7.14	14.28
DABPM928M-0606	3/8"-19	3/8"-18	29.00	31.00	7.90	10.31	19.00
DABPM928M-0806	1/2"-14	3/8"-18	34.00	32.50	11.10	10.31	22.00
DABPM928M-0808	1/2"-14	1/2"-14	34.00	37.50	11.10	13.49	22.00
DABPM928M-1212	3/4"-14	3/4"-14	42.00	40.40	16.70	18.26	27.00
DABPM928M-1616	1"-11	1"-11-1/2	47.00	50.00	22.20	23.83	33.30
DABPM928M-2020	1-1/4"-11	1-1/4"-11-1/2	52.50	60.50	28.60	31.75	41.00
DABPM928M-2424	1-1/2"-11	1-1/2"-11-1/2	60.50	67.00	33.30	38.10	48.00
DABPM928M-3232	2"-11	2"-11-1/2	75.00	75.00	46.00	49.23	65.00/63.00

DABPM9065

90° Adjustable Elbow BSPP Male 60° - BSPP Male + O Ring

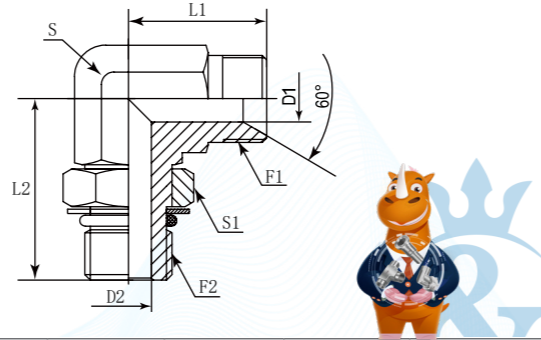
D	A	BP	M	9	06	5
Company	Product Range	Thread Types	Connection Type	Adaptor Structure	Thread Types	Connection Type
DME	Adaptor	BSPP	Male	90° Elbow	BSPP	Male + O Ring

German Technology Equipment

SHIELD FLEX

New-Standard

- DME&JDE Code: **DABPM9065**
- Product Type: **Hydraulic adaptor**
- Standard: **BSP**
- Structure: **90° Elbow**
- Connection Type: **Adjustable Male x Male**
- Thread Types: **BSPP 60° x BSPP + O Ring**
- Sealing Method: **O Ring**



PART NUMBER	F1 (Thread)	F2 (Thread)	L1	L2	D1	D2	S	S1
#	BSPP	BSPP	mm	mm	mm	mm	mm	mm
DABPM9065-0202	1/8"-28	1/8"-28	22.50	26.00	3.50	4.40	11.00	14.00
DABPM9065-0402	1/4"-19	1/8"-28	27.00	28.00	4.70	4.40	14.00	14.00
DABPM9065-0404	1/4"-19	1/4"-19	27.00	31.50	4.70	7.50	14.00	19.00
DABPM9065-0406	1/4"-19	3/8"-19	28.00	37.00	4.70	9.90	19.00	22.00
DABPM9065-0604	3/8"-19	1/4"-19	29.00	34.00	7.90	7.50	19.00	19.00
DABPM9065-0606	3/8"-19	3/8"-19	29.00	37.00	7.90	9.90	19.00	22.00
DABPM9065-0608	3/8"-19	1/2"-14	32.00	43.00	7.90	12.30	22.00	27.00
DABPM9065-0806	1/2"-14	3/8"-19	34.00	40.00	11.10	9.90	22.00	22.00
DABPM9065-0808	1/2"-14	1/2"-14	34.00	43.00	11.10	12.30	22.00	27.00
DABPM9065-0812	1/2"-14	3/4"-14	37.00	50.00	11.10	15.50	27.00	36.00
DABPM9065-1208	3/4"-14	1/2"-14	41.00	45.50	16.70	12.30	27.00	27.00
DABPM9065-1212	3/4"-14	3/4"-14	41.00	50.00	16.70	15.50	27.00	36.00
DABPM9065-1216	3/4"-14	1"-11	43.00	53.00	16.70	21.50	33.00	41.00
DABPM9065-1612	1"-11	3/4"-14	46.00	52.00	22.20	15.50	33.00	36.00
DABPM9065-1616	1"-11	1"-11	46.00	53.00	22.20	21.50	33.00	41.00
DABPM9065-2020	1-1/4"-11	1-1/4"-11	51.00	58.00	28.60	27.50	41.00	50.00
DABPM9065-2424	1-1/2"-11	1-1/2"-11	60.00	61.00	33.30	33.00	48.00	55.00

DABPM906Q

90° Adjustable Elbow BSPP Male 60° - BSPP Male + O Ring + Retaining Ring

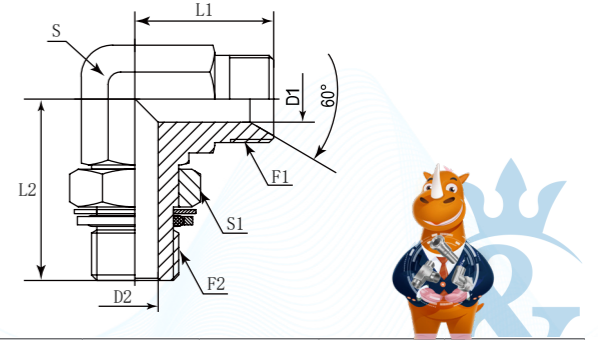
D	A	BP	M	9	06	0
Company	Product Range	Thread Types	Connection Type	Adaptor Structure	Thread Types	Connection Type
DME	Adaptor	BSPP	Male	90° Elbow	BSPP	Male + O Ring + Retaining Ring

German Technology Equipment

SHIELD FLEX

New-Standard

- DME&JDE Code: **DABPM906Q**
- Product Type: **Hydraulic adaptor**
- Standard: **BSP**
- Structure: **90° Elbow**
- Connection Type: **Adjustable Male x Male**
- Thread Types: **BSPP 60° x BSPP**
- Sealing Method: **O Ring + Retaining Ring**



PART NUMBER	F1 (Thread)	F2 (Thread)	L1	L2	D1	D2	S	S1
#	BSPP	BSPP	mm	mm	mm	mm	mm	mm
DABPM906Q-0202	1/8"-28	1/8"-28	22.50	26.00	3.50	4.40	11	14
DABPM906Q-0402	1/4"-19	1/8"-28	27.00	28.00	4.70	4.40	14	14
DABPM906Q-0404	1/4"-19	1/4"-19	27.00	31.50	4.70	7.50	14	19
DABPM906Q-0406	1/4"-19	3/8"-19	28.00	37.00	4.70	9.90	19	22
DABPM906Q-0604	3/8"-19	1/4"-19	29.00	34.00	7.90	7.50	19	19
DABPM906Q-0606	3/8"-19	3/8"-19	29.00	37.00	7.90	9.90	19	22
DABPM906Q-0608	3/8"-19	1/2"-14	32.00	43.00	7.90	12.30	22	27
DABPM906Q-0806	1/2"-14	3/8"-19	34.00	40.00	11.10	9.90	22	22
DABPM906Q-0808	1/2"-14	1/2"-14	34.00	43.00	11.10	12.30	22	27
DABPM906Q-0812	1/2"-14	3/4"-14	37.00	50.00	11.10	15.50	27	36
DABPM906Q-1208	3/4"-14	1/2"-14	41.00	45.50	16.70	12.30	27	27
DABPM906Q-1212	3/4"-14	3/4"-14	41.00	50.00	16.70	15.50	27	36
DABPM906Q-1216	3/4"-14	1"-11	43.00	53.00	16.70	21.50	33	41
DABPM906Q-1612	1"-11	3/4"-14	46.00	52.00	22.20	15.50	33	36
DABPM906Q-1616	1"-11	1"-11	46.00	53.00	22.20	21.50	33	41
DABPM906Q-1620	1"-11	1-1/4"-11	50.00	58.00	22.20	27.50	41	50
DABPM906Q-2016	1-1/4"-11	1"-11	51.00	57.00	28.60	21.50	41	41
DABPM906Q-2020	1-1/4"-11	1-1/4"-11	51.00	58.00	28.60	27.50	41	50
DABPM906Q-2424	1-1/2"-11	1-1/2"-11	59.00	67.00	33.30	33.00	48	55
DABPM906Q-3232	2"-11	2"-11	75.00	75.00	46.00	45.00	63.50	70

DABPM9305

90° Adjustable Elbow BSPP Male 60° – SAE Male O Ring

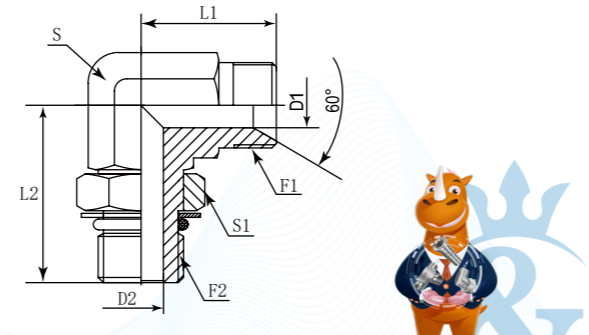
D	A	BP	M	9	30	5
Company	Product Range	Thread Types	Connection Type	Adaptor Structure	Thread Types	Connection Type
DME	Adaptor	BSPP	Male	90° Elbow	SAE UNF	Male O Ring

German Technology Equipment

SHIELD FLEX

New-Standard

- DME&JDE Code: **DABPM9305**
- Product Type: **Hydraulic adaptor**
- Standard: **BSP**
- Structure: **90° Elbow**
- Connection Type: **Adjustable Male x Male**
- Thread Types: **BSPP 60° x SAE UNF O Ring**
- Sealing Method: **O Ring**



PART NUMBER	F1 (Thread)	F2 (Thread)	L1	L2	D1	D2	S	S1
#	BSPP	UNF	mm	mm	mm	mm	mm	mm
DABPM9305-0204	1/8"-28	7/16"-20	22.50	26.16	3.50	4.37	11.10	14.29
DABPM9305-0205	1/8"-28	1/2"-20	24.00	28.70	3.50	5.94	14.27	15.88
DABPM9305-0404	1/4"-19	7/16"-20	27.00	30.20	4.70	4.37	14.00	14.00
DABPM9305-0405	1/4"-19	1/2"-20	27.00	28.70	4.70	5.94	14.27	15.88
DABPM9305-0406	1/4"-19	9/16"-18	27.00	31.80	4.70	7.54	14.00	17.46
DABPM9305-0606	3/8"-19	9/16"-18	29.00	33.80	7.90	7.54	19.00	17.46
DABPM9305-0608	3/8"-19	3/4"-16	31.00	37.00	7.90	9.93	19.00	22.00
DABPM9305-0808	1/2"-14	3/4"-16	34.00	40.50	11.10	9.93	22.00	22.00
DABPM9305-0810	1/2"-14	7/8"-14	34.00	43.20	11.10	12.29	22.22	25.40
DABPM9305-1212	3/4"-14	1-1/16"-12	42.00	49.30	16.70	15.47	27.00	31.75
DABPM9305-1616	1"-11	1-5/16"-12	46.00	52.10	22.20	21.44	33.00	38.10
DABPM9305-2020	1-1/4"-11	1-5/8"-12	52.00	57.30	28.60	27.38	41.38	50.00
DABPM9305-2424	1-1/2"-11	1-7/8"-12	60.00	61.00	33.30	33.32	48.00	53.98

DABPM952Q

90° Adjustable Elbow BSPP Male 60° - Metric Male + O Ring + Retaining Ring

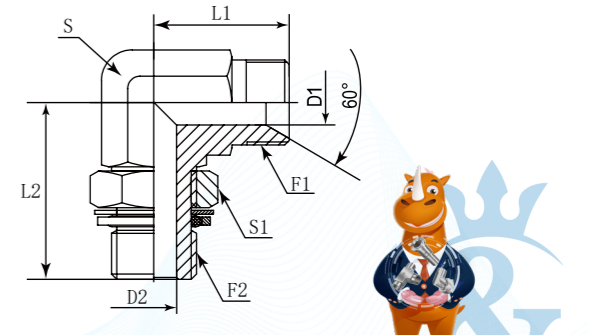
D	A	BP	M	9	52	0
Company	Product Range	Thread Types	Connection Type	Adaptor Structure	Thread Types	Connection Type
DME	Adaptor	BSPP	Male	90° Elbow	Metric	Male + O Ring + Retaining Ring

German Technology Equipment

SHIELD FLEX

New-Standard

- DME&JDE Code: **DABPM952Q**
- Product Type: **Hydraulic adaptor**
- Standard: **BSP**
- Structure: **90° Elbow**
- Connection Type: **Adjustable Male x Male**
- Thread Types: **BSPP 60° x Metric**
- Sealing Method: **O Ring + Retaining Ring**



PART NUMBER	F1 (Thread)	F2 (Thread)	L1	L2	D1	D2	S	S1
#	BSPP	Metric	mm	mm	mm	mm	mm	mm
DABPM952Q-0210	1/8"-28	M10X1	22.00	27.00	3.50	4.50	11.00	14.00
DABPM952Q-0212	1/8"-28	M12X1.5	24.00	31.50	3.50	6.00	14.00	17.00
DABPM952Q-0412	1/4"-19	M12X1.5	27.00	31.50	4.70	6.00	14.00	17.00
DABPM952Q-0414	1/4"-19	M14X1.5	27.00	31.50	4.70	7.50	14.00	19.00
DABPM952Q-0416	1/4"-19	M16X1.5	28.00	37.00	4.70	9.00	19.00	22.00
DABPM952Q-0614	3/8"-19	M14X1.5	29.00	34.00	7.90	7.50	14.00	19.00
DABPM952Q-0616	3/8"-19	M16X1.5	29.00	37.00	7.90	9.00	19.00	22.00
DABPM952Q-0618	3/8"-19	M18X1.5	29.00	38.00	7.90	11.00	19.00	24.00
DABPM952Q-0816	1/2"-14	M16X1.5	34.00	40.00	11.10	7.00	22.00	22.00
DABPM952Q-0818	1/2"-14	M18X1.5	34.00	41.00	11.10	11.00	22.00	24.00
DABPM952Q-0820	1/2"-14	M20X1.5	34.00	43.00	11.10	12.50	22.00	27.00
DABPM952Q-0822	1/2"-14	M22X1.5	34.00	43.00	11.10	14.00	22.00	27.00
DABPM952Q-1022	5/8"-14	M22X1.5	37.00	46.00	14.30	14.00	22.00	27.00
DABPM952Q-1222	3/4"-14	M22X1.5	41.00	46.00	16.70	14.00	27.00	27.00
DABPM952Q-1226	3/4"-14	M26X1.5	41.00	50.00	16.70	17.00	27.00	32.00
DABPM952Q-1227	3/4"-14	M27X2	41.00	50.00	16.70	18.00	27.00	32.00
DABPM952Q-1627	1"-11	M27X2	46.00	52.00	22.20	18.00	33.00	32.00
DABPM952Q-1633	1"-11	M33X2	46.00	53.00	22.20	23.00	33.00	41.00
DABPM952Q-2042	1-1/4"-11	M42X2	51.00	58.00	28.60	30.00	41.00	50.00
DABPM952Q-2448	1-1/2"-11	M48X2	59.00	67.00	33.30	36.00	48.00	55.00

Certificate: ISO 9001, ISO 14001, MSHA, DAKKS, DEKRA, DIN, SE, MA, WSF



DABPM9525

90° Adjustable Elbow BSPP Male 60° - Metric Male + O Ring

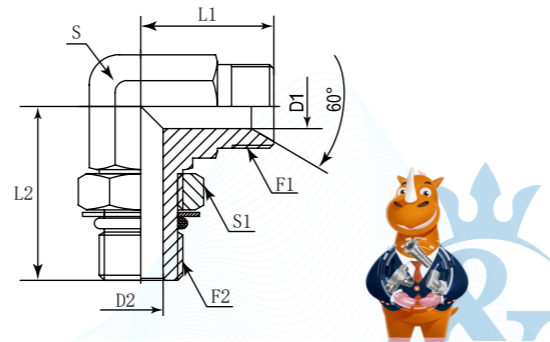
D	A	BP	M	9	52	5
Company	Product Range	Thread Types	Connection Type	Adaptor Structure	Thread Types	Connection Type
DME	Adaptor	BSPP	Male	90° Elbow	Metric	Male + O Ring

German Technology Equipment

SHIELD FLEX

New-Standard

- DME&JDE Code: **DABPM9525**
- Product Type: **Hydraulic adaptor**
- Standard: **BSP**
- Structure: **90° Elbow**
- Connection Type: **Adjustable Male x Male**
- Thread Types: **BSPP 60° x Metric + O Ring**
- Sealing Method: **O Ring**



PART NUMBER	F1 (Thread)	F2 (Thread)	L1	L2	D1	D2	S	S1
#	BSPP	Metric	mm	mm	mm	mm	mm	mm
DABPM9525-0210	1/8"-28	M10X1	22.00	27.00	3.50	4.50	11.00	14.00
DABPM9525-0212	1/8"-28	M12X1.5	24.00	31.50	3.50	6.00	14.00	17.00
DABPM9525-0412	1/4"-19	M12X1.5	27.00	31.50	4.70	6.00	14.00	17.00
DABPM9525-0414	1/4"-19	M14X1.5	27.00	31.50	4.70	7.50	14.00	19.00
DABPM9525-0416	1/4"-19	M16X1.5	28.00	37.00	4.70	9.00	19.00	22.00
DABPM9525-0614	3/8"-19	M14X1.5	29.00	34.00	7.90	7.50	14.00	19.00
DABPM9525-0616	3/8"-19	M16X1.5	29.00	37.00	7.90	9.00	19.00	22.00
DABPM9525-0618	3/8"-19	M18X1.5	29.00	38.00	7.90	11.00	19.00	24.00
DABPM9525-0816	1/2"-14	M16X1.5	34.00	40.00	11.10	7.00	22.00	22.00
DABPM9525-0818	1/2"-14	M18X1.5	34.00	41.00	11.10	11.00	22.00	24.00
DABPM9525-0820	1/2"-14	M20X1.5	34.00	43.00	11.10	12.50	22.00	27.00
DABPM9525-0822	1/2"-14	M22X1.5	34.00	43.00	11.10	14.00	22.00	27.00
DABPM9525-1022	5/8"-14	M22X1.5	37.00	46.00	14.30	14.00	22.00	27.00
DABPM9525-1222	3/4"-14	M22X1.5	41.00	46.00	16.70	14.00	27.00	27.00
DABPM9525-1226	3/4"-14	M26X1.5	41.00	50.00	16.70	17.00	27.00	32.00
DABPM9525-1227	3/4"-14	M27X2	41.00	50.00	16.70	18.00	27.00	32.00
DABPM9525-1627	1"-11	M27X2	46.00	52.00	22.20	18.00	33.00	32.00
DABPM9525-1633	1"-11	M33X2	46.00	53.00	22.20	23.00	33.00	41.00
DABPM9525-2042	1-1/4"-11	M42X2	51.00	58.00	28.60	30.00	41.00	50.00
DABPM9525-2448	1-1/2"-11	M48X2	59.00	67.00	33.30	36.00	48.00	55.00

DABPM930J

90° Adjustable Long Elbow BSPP Male 60° - SAE Male + O Ring

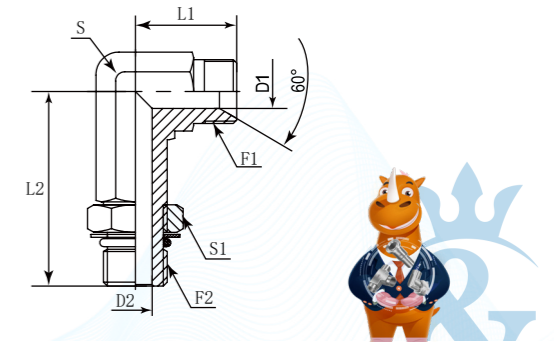
D	A	BP	M	9	30	J
Company	Product Range	Thread Types	Connection Type	Adaptor Structure	Thread Types	Sealing Type
DME	Adaptor	BSPP	Male	90° Elbow	SAE	Long O Ring

German Technology Equipment

SHIELD FLEX

New-Standard

- DME&JDE Code: **DABPM930J**
- Product Type: **Hydraulic adaptor**
- Standard: **BSP**
- Structure: **90° Elbow**
- Connection Type: **Male x Male**
- Thread Types: **BSPP 60° Cone x SAE UNF**
- Thread Types: **Long O Ring**



PART NUMBER	F1 (Thread)	F2 (Thread)	C1	C2	D1	D2	L	S
#	BSPP	UNF	mm	mm	mm	mm	mm	mm
DABPM930J-0204	1/8"-28	7/16"-20	22.00	45.00	3.50	4.37	11.00	17.00
DABPM930J-0205	1/8"-28	1/2"-20	24.00	46.00	3.50	5.94	14.00	17.00
DABPM930J-0405	1/4"-28	1/2"-20	27.00	56.00	4.70	5.94	14.00	17.00
DABPM930J-0406	1/4"-28	9/16"-18	27.00	56.00	4.70	7.54	14.00	19.00
DABPM930J-0608	3/8"-19	3/4"-16	29.00	67.00	7.90	9.93	19.00	22.00
DABPM930J-0808	1/2"-14	3/4"-16	34.00	75.00	11.10	9.93	22.00	22.00
DABPM930J-0810	1/2"-14	7/8"-14	34.00	78.00	11.10	12.29	22.00	27.00
DABPM930J-1010	5/8"-14	7/8"-14	37.00	78.00	14.30	12.29	22.00	27.00
DABPM930J-1212	3/4"-14	1-1/16"-12	41.00	92.00	16.70	15.47	27.00	32.00
DABPM930J-1216	3/4"-14	1-5/16"-12	43.00	105.00	16.70	21.44	33.00	38.00
DABPM930J-1616	1"-11	1-5/16"-12	46.00	105.00	22.20	21.44	33.00	38.00
DABPM930J-1620	1"-11	1-5/8"-12	50.00	124.00	22.20	27.38	41.00	50.00
DABPM930J-2020	1-1/4"-11	1-5/8"-12	51.00	124.00	28.60	27.38	41.00	50.00
DABPM930J-2424	1-1/2"-11	1-7/8"-12	59.00	135.00	33.30	33.32	48.00	55.00



DABPM906Y

90° Adjustable Long Elbow BSPP Male 60° - BSPP Male + O Ring + Retaining Ring

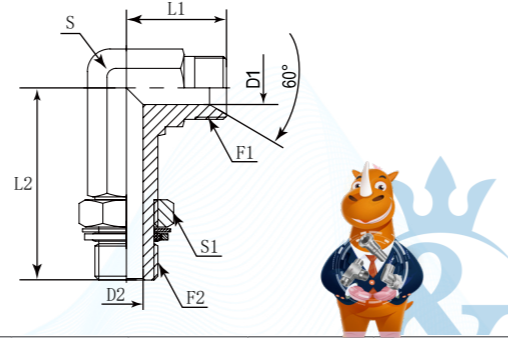
D	A	BP	M	9	06	Y
Company	Product Range	Thread Types	Connection Type	Adaptor Structure	Thread Types	Connection Type
DME	Adaptor	BSPP	Male	90° Elbow	BSPP	Male + Long O Ring + Retaining Ring

German Technology Equipment

SHIELD FLEX

New-Standard

- DME&JDE Code: **DABPM906Y**
- Product Type: **Hydraulic adaptor**
- Standard: **BSP**
- Structure: **90° Elbow**
- Connection Type: **Adjustable Male x Male**
- Thread Types: **BSPP 60° x BSPP + Long O Ring + Retaining Ring**
- Sealing Method: **Long O Ring + Retaining Ring**



PART NUMBER	F1 (Thread)	F2 (Thread)	L1	L2	D1	D2	S	S1
#	BSPP	BSPP	mm	mm	mm	mm	mm	mm
DABPM906Y-0202	1/8"-28	1/8"-28	22.00	46.00	3.50	4.40	11.00	14.00
DABPM906Y-0204	1/8"-28	1/4"-19	24.00	56.50	3.50	7.50	14.00	19.00
DABPM906Y-0404	1/4"-19	1/4"-19	27.00	56.50	4.70	7.50	14.00	19.00
DABPM906Y-0406	1/4"-19	3/8"-19	28.00	67.00	4.70	9.90	19.00	22.00
DABPM906Y-0606	3/8"-19	3/8"-19	29.00	67.00	7.90	9.90	19.00	22.00
DABPM906Y-0608	3/8"-19	1/2"-14	32.00	78.00	7.90	12.30	22.00	27.00
DABPM906Y-0806	1/2"-14	3/8"-19	34.00	78.00	11.10	9.90	22.00	22.00
DABPM906Y-0808	1/2"-14	1/2"-14	34.00	78.00	11.10	12.30	22.00	27.00
DABPM906Y-1008	5/8"-14	1/2"-14	37.00	92.00	14.30	12.30	22.00	27.00
DABPM906Y-1212	3/4"-14	3/4"-14	41.00	92.00	16.70	15.50	27.00	32.00
DABPM906Y-1216	3/4"-14	1"-11	43.00	105.00	16.70	21.50	33.00	33.00
DABPM906Y-1616	1"-11	1"-11	46.00	105.00	22.20	21.50	33.00	41.00
DABPM906Y-1620	1"-11	1-1/4"-11	50.00	124.00	22.20	27.50	41.00	50.00
DABPM906Y-2020	1-1/4"-11	1-1/4"-11	51.00	124.00	28.60	27.50	41.00	50.00
DABPM906Y-2424	1-1/2"-11	1-1/2"-11	59.00	135.00	33.30	33.00	48.00	55.00

DABPM906J

90° Adjustable Long Elbow BSPP Male 60° - BSPP Male + O Ring

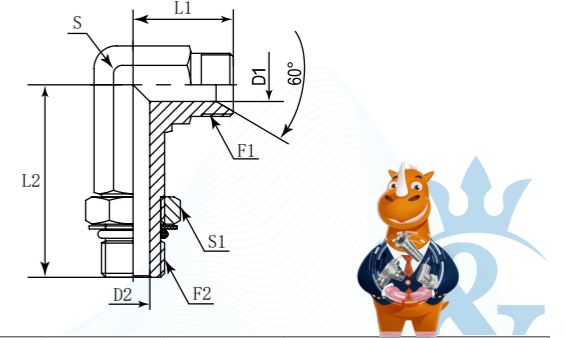
D	A	BP	M	9	06	J
Company	Product Range	Thread Types	Connection Type	Adaptor Structure	Thread Types	Connection Type
DME	Adaptor	BSPP	Male	90° Elbow	BSPP	Male Long O Ring

German Technology Equipment

SHIELD FLEX

New-Standard

- DME&JDE Code: **DABPM906J**
- Product Type: **Hydraulic adaptor**
- Standard: **BSP**
- Structure: **90° Elbow**
- Connection Type: **Adjustable Male x Male**
- Thread Types: **BSPP 60° x BSPP + Long O Ring**
- Sealing Method: **Long O Ring**



PART NUMBER	F1 (Thread)	F2 (Thread)	L1	L2	D1	D2	S	S1
#	BSPP	BSPP	mm	mm	mm	mm	mm	mm
DABPM906J-0202	1/8"-28	1/8"-28	22.00	46.00	3.50	4.40	11.00	14.00
DABPM906J-0204	1/8"-28	1/4"-19	24.00	56.50	3.50	7.50	14.00	19.00
DABPM906J-0404	1/4"-19	1/4"-19	27.00	56.50	4.70	7.50	14.00	19.00
DABPM906J-0406	1/4"-19	3/8"-19	28.00	67.00	4.70	9.90	19.00	22.00
DABPM906J-0606	3/8"-19	3/8"-19	29.00	67.00	7.90	9.90	19.00	22.00
DABPM906J-0608	3/8"-19	1/2"-14	32.00	78.00	7.90	12.30	22.00	27.00
DABPM906J-0806	1/2"-14	3/8"-19	34.00	78.00	11.10	9.90	22.00	22.00
DABPM906J-0808	1/2"-14	1/2"-14	34.00	78.00	11.10	12.30	22.00	27.00
DABPM906J-1008	5/8"-14	1/2"-14	37.00	92.00	14.30	12.30	22.00	27.00
DABPM906J-1212	3/4"-14	3/4"-14	41.00	92.00	16.70	15.50	27.00	32.00
DABPM906J-1216	3/4"-14	1"-11	43.00	105.00	16.70	21.50	33.00	33.00
DABPM906J-1616	1"-11	1"-11	46.00	105.00	22.20	21.50	33.00	41.00
DABPM906J-1620	1"-11	1-1/4"-11	50.00	124.00	22.20	27.50	41.00	50.00
DABPM906J-2020	1-1/4"-11	1-1/4"-11	51.00	124.00	28.60	27.50	41.00	50.00
DABPM906J-2424	1-1/2"-11	1-1/2"-11	59.00	135.00	33.30	33.00	48.00	55.00



DABPM952Y

90° Adjustable Long Elbow BSPP Male 60° - Metric Male + O Ring + Retaining Ring

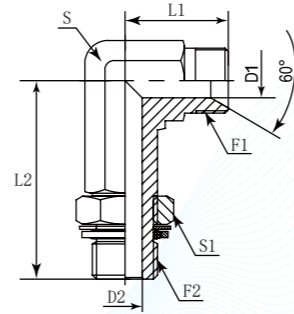
D	A	BP	M	9	52	Y
Company	Product Range	Thread Types	Connection Type	Adaptor Structure	Thread Types	Connection Type
DME	Adaptor	BSPP	Male	90° Elbow	Metric	Male + Long O Ring + Retaining Ring

German Technology Equipment

SHIELD FLEX

New-Standard

- DME&JDE Code: **DABPM952Y**
- Product Type: **Hydraulic adaptor**
- Standard: **BSP**
- Structure: **90° Elbow**
- Connection Type: **Adjustable Male x Male**
- Thread Types: **BSPP 60° x Metric + O Ring + Retaining Ring**
- Sealing Method: **Long O Ring + Retaining Ring**



PART NUMBER	F1 (Thread)	F2 (Thread)	C1	C2	D1	D2	L	S
#	BSPP	Metric	mm	mm	mm	mm	mm	mm
DABPM952Y-0210	1/8"-28	M10X1	22.00	46.00	3.50	4.50	11.00	14.00
DABPM952Y-0212	1/8"-28	M12X1.5	25.00	56.50	3.50	6.00	14.00	17.00
DABPM952Y-0412	1/4"-19	M12X1.5	27.00	56.50	4.70	6.00	14.00	17.00
DABPM952Y-0414	1/4"-19	M14X1.5	27.00	56.50	4.70	7.50	14.00	19.00
DABPM952Y-0616	3/8"-19	M16X1.5	29.00	65.00	7.90	9.00	19.00	22.00
DABPM952Y-0618	3/8"-19	M18X1.5	29.00	67.00	7.90	11.00	19.00	24.00
DABPM952Y-0818	1/2"-14	M18X1.5	34.00	76.00	11.10	11.00	22.00	24.00
DABPM952Y-0822	1/2"-14	M22X1.5	34.00	78.00	11.10	14.00	22.00	27.00
DABPM952Y-1022	5/8"-14	M22X1.5	37.00	78.00	14.30	14.00	22.00	27.00
DABPM952Y-1222	3/4"-14	M22X1.5	41.00	93.00	16.70	14.00	27.00	27.00
DABPM952Y-1226	3/4"-14	M26X1.5	41.00	95.00	16.70	17.00	27.00	32.00
DABPM952Y-1227	3/4"-14	M27X2	41.00	95.00	16.70	18.00	27.00	32.00
DABPM952Y-1627	1"-11	M27X2	46.00	105.00	22.20	18.00	33.00	32.00
DABPM952Y-1633	1"-11	M33X2	46.00	105.00	22.20	23.00	33.00	41.00
DABPM952Y-2042	1-1/4"-11	M42X2	51.00	124.00	28.60	30.00	41.00	50.00
DABPM952Y-2448	1-1/2"-11	M48X2	59.00	141.00	33.30	36.00	48.00	55.00

DABPM952J

90° Adjustable Long Elbow BSPP Male 60° - Metric Male + O Ring

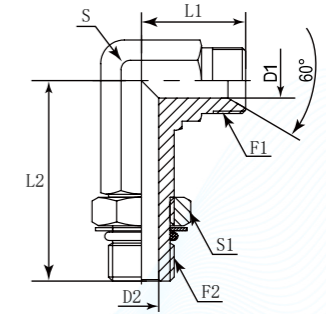
D	A	BP	M	9	52	J
Company	Product Range	Thread Types	Connection Type	Adaptor Structure	Thread Types	Connection Type
DME	Adaptor	BSPP	Male	90° Elbow	Metric	Male+ Long O Ring

German Technology Equipment

SHIELD FLEX

New-Standard

- DME&JDE Code: **DABPM952J**
- Product Type: **Hydraulic adaptor**
- Standard: **BSP**
- Structure: **90° Elbow**
- Connection Type: **Adjustable Male x Male**
- Thread Types: **BSPP 60° x Metric**
- Sealing Method: **Long O Ring**



PART NUMBER	F1 (Thread)	F2 (Thread)	L1	L2	D1	D2	S	S1
#	BSPP	Metric	mm	mm	mm	mm	mm	mm
DABPM952J-0210	1/8"-28	M10X1	22.00	46.00	3.50	4.50	11.00	14.00
DABPM952J-0212	1/8"-28	M12X1.5	25.00	56.50	3.50	6.00	14.00	17.00
DABPM952J-0412	1/4"-19	M12X1.5	27.00	56.50	4.70	6.00	14.00	17.00
DABPM952J-0414	1/4"-19	M14X1.5	27.00	56.50	4.70	7.50	14.00	19.00
DABPM952J-0616	3/8"-19	M16X1.5	29.00	65.00	7.90	9.00	19.00	22.00
DABPM952J-0618	3/8"-19	M18X1.5	29.00	67.00	7.90	11.00	19.00	24.00
DABPM952J-0818	1/2"-14	M18X1.5	34.00	76.00	11.10	11.00	22.00	24.00
DABPM952J-0822	1/2"-14	M22X1.5	34.00	78.00	11.10	14.00	22.00	27.00
DABPM952J-1022	5/8"-14	M22X1.5	37.00	78.00	14.30	14.00	22.00	27.00
DABPM952J-1222	3/4"-14	M22X1.5	41.00	93.00	16.70	14.00	27.00	27.00
DABPM952J-1226	3/4"-14	M26X1.5	41.00	95.00	16.70	17.00	27.00	32.00
DABPM952J-1227	3/4"-14	M27X2	41.00	95.00	16.70	18.00	27.00	32.00
DABPM952J-1627	1"-11	M27X2	46.00	105.00	22.20	18.00	33.00	32.00
DABPM952J-1633	1"-11	M33X2	46.00	105.00	22.20	23.00	33.00	41.00
DABPM952J-2042	1-1/4"-11	M42X2	51.00	124.00	28.60	30.00	41.00	50.00
DABPM952J-2448	1-1/2"-11	M48X2	59.00	141.00	33.30	36.00	48.00	55.00



DABPM905T

90° Bulkhead Elbow BSPP Male 60° - BSPP 60° Male

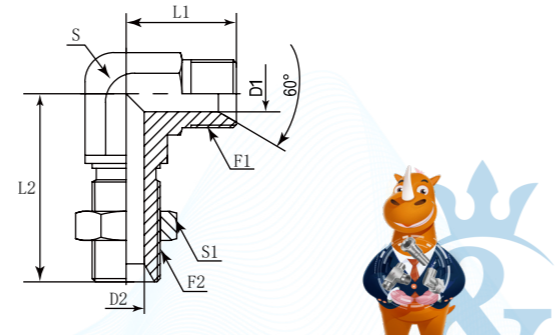
D	A	BP	M	9	05	T
Company	Product Range	Thread Types	Connection Type	Adaptor Structure	Thread Types	Connection Type
DME	Adaptor	BSPP	Male	90° Elbow	BSPP	Male Bulkhead

German Technology Equipment

SHIELD FLEX

New-Standard

- DME&JDE Code: **DABPM905T**
- Product Type: **Hydraulic adaptor**
- Standard: **BSP**
- Structure: **90° Elbow**
- Connection Type: **Male x Male**
- Thread Types: **BSPP 60° x BSPP 60°**
- Other Features: **Bulkhead**



PART NUMBER	F1 (Thread)	F2 (Thread)	L1	L2	D1	D2	S	S1
#	BSPP	BSPP	mm	mm	mm	mm	mm	mm
DABPM905T-0202	1/8"-28	1/8"-28	21.00	38.00	3.50	3.50	11.00	14.00
DABPM905T-0404	1/4"-19	1/4"-19	25.00	45.00	4.70	4.70	14.00	19.00
DABPM905T-0606	3/8"-19	3/8"-19	30.00	52.00	7.90	7.90	19.00	22.00
DABPM905T-0808	1/2"-14	1/2"-14	34.00	58.00	11.10	11.10	22.00	27.00
DABPM905T-1010	5/8"-14	5/8"-14	38.00	59.00	14.00	14.00	27.00	30.00
DABPM905T-1212	3/4"-14	3/4"-14	40.00	65.00	16.70	16.70	27.00	32.00
DABPM905T-1616	1"-11	1"-11	45.00	71.00	22.20	22.20	33.00	41.00
DABPM905T-2020	1-1/4"-11	1-1/4"-11	52.00	77.00	28.60	28.60	41.00	50.00
DABPM905T-2424	1-1/2"-11	1-1/2"-11	60.00	87.00	33.30	33.30	48.00	55.00
DABPM905T-3232	2"-11	2"-11	65.00	97.00	46.00	46.00	65.00	70.00

Certificate:



DABTM907M

90° Elbow BSPT Male 60° - BSPT Male 60°

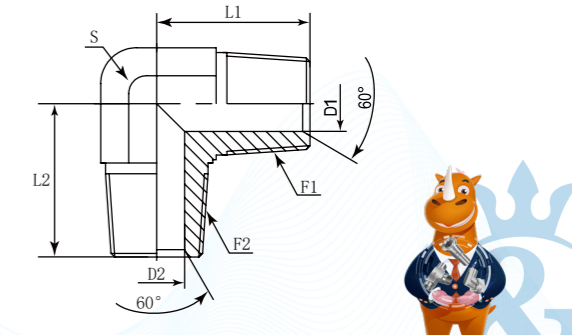
D	A	BT	M	9	07	M
Company	Product Range	Thread Types	Connection Type	Adaptor Structure	Thread Types	Connection Type
DME	Adaptor	BSPT	Male	90° Elbow	BSPT	Male

German Technology Equipment

SHIELD FLEX

New-Standard

- DME&JDE Code: **DABTM907M**
- Product Type: **Hydraulic adaptor**
- Standard: **BSP**
- Structure: **90° Elbow**
- Connection Type: **Male x Male**
- Thread Types: **BSPT 60° x BSPT 60°**



PART NUMBER	F1 (Thread)	F2 (Thread)	L1	L2	D1	D2	S
#	BSPT	BSPT	mm	mm	mm	mm	mm
DABTM907M-0202	1/8"-28	1/8"-28	21.00	21.00	4.50	4.50	11.00
DABTM907M-0402	1/4"-19	1/8"-28	25.50	23.50	6.00	4.50	14.00
DABTM907M-0404	1/4"-19	1/4"-19	25.50	25.50	6.00	6.00	14.00
DABTM907M-0604	3/8"-19	1/4"-19	28.50	26.50	9.00	6.00	19.00
DABTM907M-0606	3/8"-19	3/8"-19	28.50	28.50	9.00	9.00	19.00
DABTM907M-0804	1/2"-14	1/4"-19	36.00	30.50	12.00	6.00	22.00
DABTM907M-0806	1/2"-14	3/8"-19	36.00	32.50	12.00	9.00	22.00
DABTM907M-0808	1/2"-14	1/2"-14	36.00	36.00	12.00	12.00	22.00
DABTM907M-1208	3/4"-14	1/2"-14	43.50	39.50	16.70	12.00	27.00
DABTM907M-1212	3/4"-14	3/4"-14	43.50	43.50	16.70	16.70	27.00
DABTM907M-1612	1"-11	3/4"-14	50.00	48.00	22.20	16.70	33.00
DABTM907M-1616	1"-11	1"-11	50.00	50.00	22.20	22.20	33.00
DABTM907M-2016	1-1/4"-11	1"-11	57.50	56.50	28.60	22.20	41.00
DABTM907M-2020	1-1/4"-11	1-1/4"-11	56.50	56.50	28.60	28.60	41.00
DABTM907M-2424	1-1/2"-11	1-1/2"-11	62.50	62.50	33.30	33.30	48.00
DABTM907M-3232	2"-11	2"-11	75.00	75.00	46.00	46.00	63.00

Certificate:



DABTM928M

90° Elbow BSPT Male 60° - NPTF Male 60°

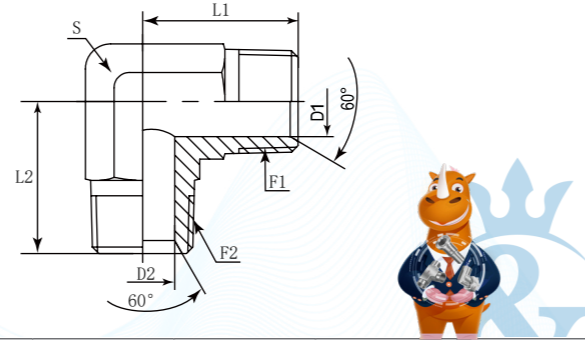
D	A	BP	M	9	28	M
Company	Product Range	Thread Types	Connection Type	Adaptor Structure	Thread Types	Connection Type
DME	Adaptor	BSPT	Male	90° Elbow	NPTF	Male

German Technology Equipment

SHIELD FLEX

New-Standard

- DME&JDE Code: **DABTM928M**
- Product Type: **Hydraulic adaptor**
- Standard: **BSP**
- Structure: **90° Elbow**
- Connection Type: **Male × Male**
- Thread Types: **BSPP 60° × NPTF 60°**



PART NUMBER	F1 (Thread)	F2 (Thread)	D1	D2	L1	L2	S
#	BSPT	NPTF	mm	mm	mm	mm	mm
DABTM928M-0404	1/4"-19	1/4"-18	6.00	7.14	25.50	25.50	14.00
DABTM928M-0606	3/8"-19	3/8"-18	9.00	10.31	28.50	28.50	19.00
DABTM928M-0808	1/2"-14	1/2"-14	12.00	13.49	36.00	36.00	22.00
DABTM928M-1212	3/4"-14	3/4"-14	16.70	18.26	43.50	40.40	27.00
DABTM928M-1616	1"-11	1"-11-1/2	22.20	22.20	50.00	50.00	33.00
DABTM928M-2020	1-1/4"-11	1-1/4"-11-1/2	28.60	31.75	56.50	60.50	41.27
DABTM928M-2424	1-1/2"-11	1-1/2"-11-1/2	33.30	38.10	62.50	67.10	47.60
DABTM928M-3232	2"-11	2"-11-1/2	46.00	49.23	75.00	76.50	63.50

DABTM9305

90° Adjustable Elbow BSPT Male 60° - SAE Male + O Ring

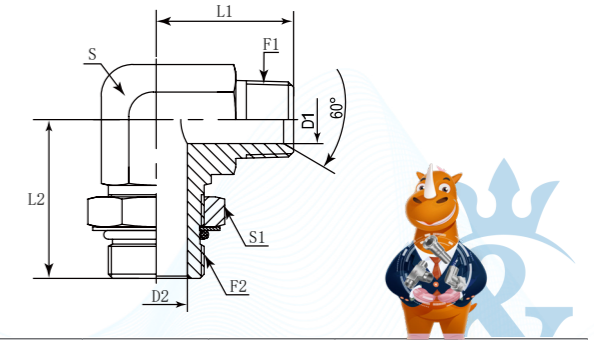
D	A	BT	M	9	30	5
Company	Product Range	Thread Types	Connection Type	Adaptor Structure	Thread Types	Connection Type
DME	Adaptor	BSPT	Male	90° Elbow	SAE	Male + O Ring

German Technology Equipment

SHIELD FLEX

New-Standard

- DME&JDE Code: **DABTM9305**
- Product Type: **Hydraulic adaptor**
- Standard: **BSP**
- Structure: **90° Elbow**
- Connection Type: **Adjustable Male × Male**
- Thread Types: **BSPP 60° Cone × SAE UNF + O Ring**
- Sealing Method: **O Ring**



PART NUMBER	F1 (Thread)	F2 (Thread)	L1	L2	D1	D2	S	S1
#	BSPP	BSPP	mm	mm	mm	mm	mm	mm
DABTM9305-0204	1/8"-28	7/16"-20	19.8	26.2	4.5	4.37	11	14
DABTM9305-0404	1/4"-19	7/16"-20	27.50	30.20	6.00	4.37	14.00	14.29
DABTM9305-0406	1/4"-19	9/16"-18	26.00	31.80	6.00	7.54	14.00	17.00
DABTM9305-0408	1/4"-19	3/4"-16	30.00	37.00	6.00	9.93	19.00	22.22
DABTM9305-0606	3/8"-19	9/16"-18	28.50	33.30	9.00	7.54	19.00	17.00
DABTM9305-0608	3/8"-19	3/4"-16	31.00	37.00	9.00	9.93	19.00	22.00
DABTM9305-0610	3/8"-19	7/8"-14	34.00	44.00	9.00	12.29	22.00	27.00
DABTM9305-0808	1/2"-14	3/4"-16	37.00	40.50	12.00	9.93	22.00	22.00
DABTM9305-0810	1/2"-14	7/8"-14	38.00	44.00	12.00	12.29	22.00	27.00
DABTM9305-0812	1/2"-14	1-1/16"-12	41.00	51.00	12.00	15.47	27.00	32.00
DABTM9305-1210	3/4"-14	7/8"-14	43.00	47.00	16.70	12.29	27.00	27.00
DABTM9305-1212	3/4"-14	1-1/16"-12	43.50	51.00	16.70	15.47	27.00	32.00
DABTM9305-1216	3/4"-14	1-5/16"-12	46.00	55.00	16.70	21.44	33.00	41.00
DABTM9305-1612	1"-11	1-1/16"-12	50.00	52.10	22.20	15.47	33.00	32.00
DABTM9305-1616	1"-11	1-5/16"-12	50.00	55.00	22.20	21.44	33.00	41.00
DABTM9305-1620	1"-11	1-5/8"-12	59.70	57.50	22.20	27.38	41.00	50.00
DABTM9305-2020	1-1/4"-11	1-5/8"-12	60.50	57.50	28.60	27.38	41.00	50.00
DABTM9305-2424	1-1/2"-11	1-7/8"-12	67.10	60.70	33.30	33.32	48.00	55.00

Certificate: **ISO 9001** **ISO 14001** **MSHA** **DAkks** **DEKRA** **DIN** **SE** **MA** **WSF**

DABTM906Q

Adjustable 90° Elbow BSPT Male 60° - BSPP Male + O Ring + Retaining Ring

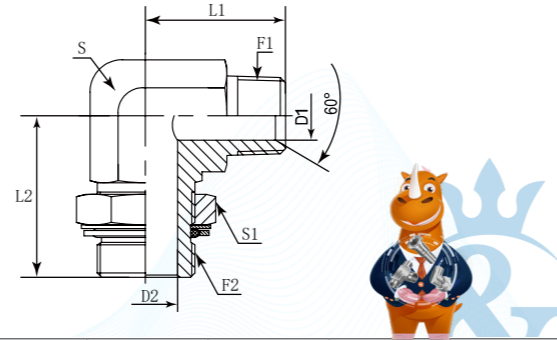
D	A	BT	M	9	05	Q
Company	Product Range	Thread Types	Connection Type	Adaptor Structure	Thread Types	Connection Type
DME	Adaptor	BSPT	Male	90° Elbow	BSPP	Male + O Ring + Retaining Ring

German Technology Equipment

SHIELD FLEX

New-Standard

- DME&JDE Code: **DABTM906Q**
- Product Type: **Hydraulic adaptor**
- Standard: **BSP**
- Structure: **90° Elbow**
- Connection Type: **Adjustable Male × Male**
- Thread Types: **BSPT 60° × BSPP**
- Sealing Method: **O Ring + Retaining Ring**



PART NUMBER	F1 (Thread)	F2 (Thread)	L1	L2	D1	D2	S	S1
#	BSPT	UNF	mm	mm	mm	mm	mm	mm
DABTM906Q-0404	1/4"-19	1/4"-19	25.5	31.3	6	7.5	14	19
DABTM906Q-0406	1/4"-19	3/8"-19	26.50	36.80	6.00	9.90	19.00	22.00
DABTM906Q-0606	3/8"-19	3/8"-19	27.50	36.80	9.00	9.90	19.00	22.00
DABTM906Q-0608	3/8"-19	1/2"-14	32.50	43.20	9.00	12.30	22.00	27.00
DABTM906Q-0806	1/2"-14	3/8"-19	37.00	36.80	12.00	9.90	22.00	22.00
DABTM906Q-0808	1/2"-14	1/2"-14	37.00	43.20	12.00	12.30	22.00	27.00
DABTM906Q-0812	1/2"-14	3/4"-14	39.50	49.30	12.00	15.50	27.00	32.00
DABTM906Q-1212	3/4"-14	3/4"-14	43.00	49.30	16.70	15.50	27.00	32.00
DABTM906Q-1216	3/4"-14	1"-11	48.00	53.00	16.70	21.50	33.00	41.00
DABTM906Q-1612	1"-11	3/4"-14	50.00	53.00	22.20	15.50	33.30	32.00
DABTM906Q-1616	1"-11	1"-11	50.00	53.00	22.20	21.50	33.00	41.00
DABTM906Q-1620	1"-11	1-1/4"-11	55.50	58.00	22.20	27.50	41.00	50.00
DABTM906Q-2020	1-1/4"-11	1-1/4"-11	57.00	58.00	28.60	27.50	41.00	50.00
DABTM906Q-2424	1-1/2"-11	1-1/2"-11	62.50	63.00	33.30	33.00	48.00	55.00

DABPM905F

90° Elbow Connector BSPP Male 60° - BSPP Fixed Female

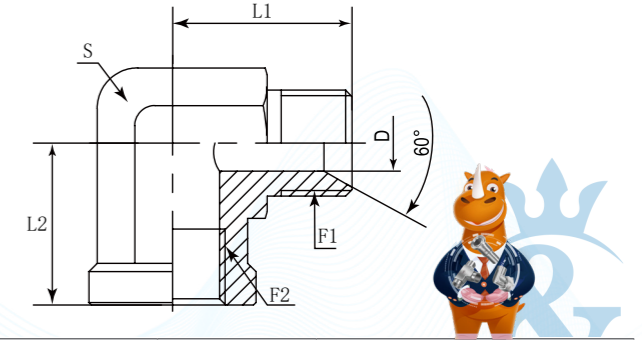
D	A	BP	M	9	05	F
Company	Product Range	Thread Types	Connection Type	Adaptor Structure	Thread Types	Connection Type
DME	Adaptor	BSPP	Male	90° Elbow	BSPP	Female

German Technology Equipment

SHIELD FLEX

New-Standard

- DME&JDE Code: **DABPM905F**
- Product Type: **Hydraulic adaptor**
- Standard: **BSP**
- Structure: **90° Elbow**
- Connection Type: **Male × Fixed Female**
- Thread Types: **BSPP 60° × BSPP**



PART NUMBER	F1 (Thread)	F2 (Thread)	D	L1	L2	S
#	BSPP	BSPP	mm	mm	mm	mm
DABPM905F-0202	1/8"-28	1/8"-28	3.50	20.00	20.00	14.00
DABPM905F-0404	1/4"-19	1/4"-19	4.70	27.00	22.00	19.00
DABPM905F-0606	3/8"-19	3/8"-19	7.90	31.00	26.00	22.00
DABPM905F-0808	1/2"-14	1/2"-14	11.10	37.50	32.00	27.00
DABPM905F-1212	3/4"-14	3/4"-14	16.70	40.40	34.50	33.00
DABPM905F-1616	1"-11	1"-11	22.20	50.00	41.50	41.00



DABPM9251

90° Elbow Connector BSPP Male 60° Cone - JIC Swivel Female 74°

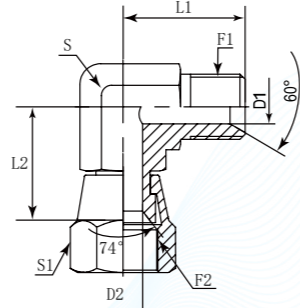
D	A	BP	M	9	251
Company	Product Range	Thread Types	Connection Type	Adaptor Structure	Thread Types
DME	Adaptor	BSPP	Male	90° Elbow	JIC Swivel Female 74°

German Technology Equipment

SHIELD FLEX

New-Standard

- DME&JDE Code: **DABPM9251**
- Product Type: **Hydraulic adaptor**
- Standard: **BSP**
- Structure: **90° Elbow**
- Connection Type: **Male x Swivel Female**
- Thread Types: **BSPP 60° Cone x JIC 74°**



PART NUMBER	F1 (Thread)	F2 (Thread)	D1	D2	L1	L2	S	S1
#	BSPP	UNF	mm	mm	mm	mm	mm	mm
DABPM9251-0404	1/4"-19	7/16"-20	4.70	4.40	26.00	22.00	14.00	14.00
DABPM9251-0406	1/4"-19	9/16"-18	4.70	7.54	26.00	22.23	14.00	19.00
DABPM9251-0606	3/8"-19	9/16"-18	7.90	7.54	28.00	22.23	19.00	19.00
DABPM9251-0608	3/8"-19	3/4"-16	7.90	9.93	29.00	24.33	19.00	22.23
DABPM9251-0806	1/2"-14	9/16"-18	11.10	7.54	34.00	25.15	22.00	19.00
DABPM9251-0808	1/2"-14	3/4"-16	11.10	9.93	34.00	26.16	22.00	22.23
DABPM9251-0810	1/2"-14	7/8"-14	11.10	12.29	34.00	28.45	22.00	27.00
DABPM9251-1212	3/4"-14	1-1/16"-12	16.70	15.47	40.00	30.20	27.00	31.75

Certificate:



DABPM9081

90° Elbow Connector BSPP Male 60° - BSPP Swivel Female 60°

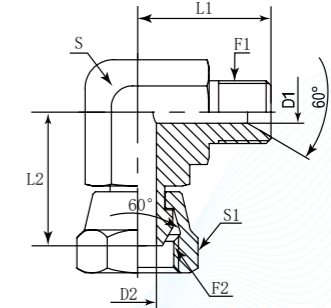
D	A	BP	M	9	081
Company	Product Range	Thread Types	Connection Type	Adaptor Structure	Thread Types
DME	Adaptor	BSPP	Male	Straight	BSPP Swivel FemaleP

German Technology Equipment

SHIELD FLEX

New-Standard

- DME&JDE Code: **DABPM9081**
- Product Type: **Hydraulic adaptor**
- Standard: **BSP**
- Structure: **90° Elbow**
- Connection Type: **Male x Swivel Female**
- Thread Types: **BSPP 60° x BSPP 60°**



PART NUMBER	F1 (Thread)	F2 (Thread)	D1	D2	L1	L2	S	S1
#	BSPP	BSPP	mm	mm	mm	mm	mm	mm
DABPM9081-0202	1/8"-28	1/8"-28	22.50	22.50	3.50	3.50	11.00	14.00
DABPM9081-0404	1/4"-19	1/4"-19	27.00	23.80	4.70	4.70	14.00	19.00
DABPM9081-0406	1/4"-19	3/8"-19	28.00	28.00	4.70	7.90	19.00	22.00
DABPM9081-0604	3/8"-19	1/4"-19	29.00	27.50	7.90	4.70	19.00	19.00
DABPM9081-0606	3/8"-19	3/8"-19	29.00	28.20	7.90	7.50	19.00	22.00
DABPM9081-0808	1/2"-14	1/2"-14	35.00	33.60	11.10	11.10	22.00	27.00
DABPM9081-0812	1/2"-14	3/4"-14	40.50	37.90	11.10	16.70	27.00	32.00
DABPM9081-1010	5/8"-14	5/8"-14	37.00	35.00	14.30	14.30	22.00	30.00
DABPM9081-1212	3/4"-14	3/4"-14	43.00	37.90	16.70	16.70	27.00	32.00
DABPM9081-1612	1"-11	3/4"-14	50.00	45.50	22.20	16.70	33.00	32.00
DABPM9081-1616	1"-11	1"-11	47.00	44.00	22.20	22.20	33.00	41.00
DABPM9081-2016	1-1/4"-11	1"-11	50.00	50.00	28.60	22.20	41.00	41.00
DABPM9081-2020	1-1/4"-11	1-1/4"-11	52.30	50.00	28.60	26.00	41.00	50.00
DABPM9081-2424	1-1/2"-11	1-1/2"-11	60.50	53.30	33.30	33.30	48.00	55.00
DABPM9081-3232	2"-11	2"-11	75.00	60.00	46.00	46.00	65.00	70.00

Certificate:



DABPM9081-B

90° Swept Elbow BSPP Male 60° Cone - BSPP Swivel Female 60°

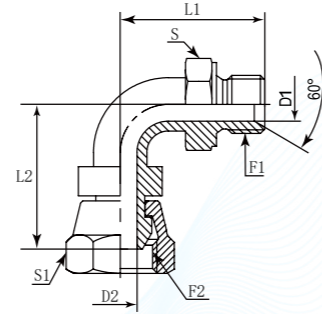
D	A	BP	M	9	081	B
Company	Product Range	Thread Types	Connection Type	Adaptor Structure	Thread Types	Elbow Type
DME	Adaptor	BSPP	Male	90° Elbow	BSPP Swivel Female	Swept Elbow

German Technology Equipment

SHIELD FLEX

New-Standard

- DME&JDE Code: **DABPM9081-B**
- Product Type: **Hydraulic adaptor**
- Standard: **BSP**
- Structure: **90° Elbow**
- Connection Type: **Male x Swivel Female**
- Thread Types: **BSPP 60° Cone x BSPP 60°**



PART NUMBER	F1 (Thread)	F2 (Thread)	D1	D2	L1	L2	S	S1
#	BSPP	BSPP	mm	mm	mm	mm	mm	mm
DABPM9081-0404B	1/4"-19	1/4"-19	4.00	4.00	30.00	32.50	19.00	19.00
DABPM9081-0606B	3/8"-19	3/8"-19	7.00	7.00	37.00	39.00	22.00	22.00
DABPM9081-0808B	1/2"-14	1/2"-14	10.00	10.00	45.00	47.00	27.00	27.00
DABPM9081-1010B	5/8"-14	5/8"-14	13.00	13.00	52.00	52.00	30.00	30.00
DABPM9081-1212B	3/4"-14	3/4"-14	15.00	15.00	54.00	57.00	32.00	32.00
DABPM9081-1616B	1"-11	1"-11	19.00	19.00	68.00	69.00	41.00	41.00
DABPM9081-2020B	1-1/4"-11	1-1/4"-11	26.00	26.00	100.00	86.00	50.00	50.00

Certificate:



DABPM9081-SQ

90° Elbow Connector BSPP Male 60° Cone - BSPP Swivel Female 60°

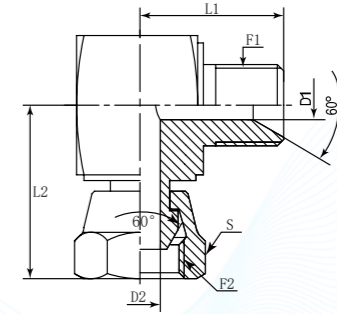
D	A	BP	M	9	081	SQ
Company	Product Range	Thread Types	Connection Type	Adaptor Structure	Connection Type	Body Type
DME	Adaptor	BSPP	Male	90° Elbow	BSPP Swivel Female	Square

German Technology Equipment

SHIELD FLEX

New-Standard

- DME&JDE Code: **DABPM9081-SQ**
- Product Type: **Hydraulic adaptor**
- Standard: **BSP**
- Structure: **90° Elbow**
- Connection Type: **Male x Swivel Female**
- Thread Types: **BSPP 60° Cone x BSPP 60°**



PART NUMBER	F1 (Thread)	F2 (Thread)	L1	L2	D1	D2
#	BSPP	BSPP	mm	mm	mm	mm
DABPM9081-0202SQ	1/8"-28	1/8"-28	18.00	17.50	3.50	3.50
DABPM9081-0404SQ	1/4"-19	1/4"-19	23.50	22.50	4.70	4.70
DABPM9081-0606SQ	3/8"-19	3/8"-19	26.50	26.00	7.90	7.50
DABPM9081-0808SQ	1/2"-14	1/2"-14	29.00	30.50	11.10	11.10
DABPM9081-1212SQ	3/4"-14	3/4"-14	34.00	35.00	16.70	16.70
DABPM9081-1616SQ	1"-11	1"-11	42.00	42.00	22.20	22.20
DABPM9081-2020SQ	1-1/4"-11	1-1/4"-11	50.00	48.00	28.60	26.00
DABPM9081-2424SQ	1-1/2"-11	1-1/2"-11	50.50	54.50	33.30	33.30

Certificate:



DABTM9081

90° Elbow Connector BSPT Male 60° - BSPP Swivel Female 60°

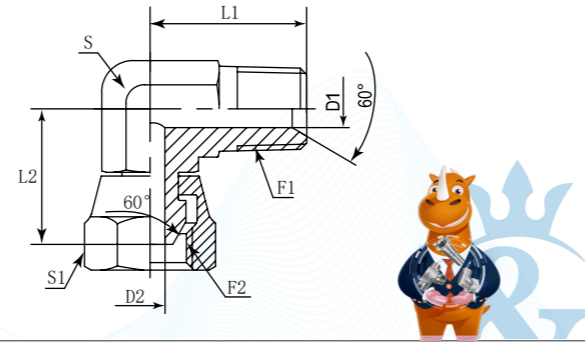
D	A	BT	M	9	081
Company	Product Range	Thread Types	Connection Type	Adaptor Structure	Connection Type
DME	Adaptor	BSPT	Male	90° Elbow	BSPP Swivel Female

German Technology Equipment

SHIELD FLEX

New-Standard

- DME&JDE Code: **DABTM9081**
- Product Type: **Hydraulic adaptor**
- Standard: **BSP**
- Structure: **90° Elbow**
- Connection Type: **Male x Swivel Female**
- Thread Types: **BSPT 60° x BSPP 60°**



PART NUMBER	F1 (Thread)	F2 (Thread)	D1	D2	L1	L2	S	S1
#	BSPT	BSPP	mm	mm	mm	mm	mm	mm
DABTM9081-0202	1/8"-28	1/8"-28	4.50	3.50	20.00	18.80	11.00	14.00
DABTM9081-0404	1/4"-19	1/4"-19	6.00	4.70	25.00	21.60	14.00	19.00
DABTM9081-0406	1/4"-19	3/8"-19	6.00	7.90	28.00	25.60	19.00	22.00
DABTM9081-0604	3/8"-19	1/4"-19	9.00	4.70	28.50	23.80	19.00	19.00
DABTM9081-0606	3/8"-19	3/8"-19	9.00	7.90	28.50	25.60	19.00	22.00
DABTM9081-0608	3/8"-19	1/2"-14	9.00	11.10	30.50	30.00	19.00	27.00
DABTM9081-0806	1/2"-14	3/8"-19	12.00	7.90	36.00	28.20	22.00	22.00
DABTM9081-0808	1/2"-14	1/2"-14	12.00	11.10	36.00	30.00	22.00	27.00
DABTM9081-0812	1/2"-14	3/4"-14	12.00	16.70	40.00	35.30	27.00	32.00
DABTM9081-1208	3/4"-14	1/2"-14	16.70	11.10	40.40	33.50	27.00	27.00
DABTM9081-1212	3/4"-14	3/4"-14	16.70	16.70	40.40	35.30	27.00	32.00
DABTM9081-1216	3/4"-14	1"-11	16.70	22.20	49.00	45.50	33.00	41.00
DABTM9081-1612	1"-11	3/4"-14	22.20	16.70	50.00	44.50	33.00	32.00
DABTM9081-1616	1"-11	1"-11	22.20	22.20	50.00	45.50	33.00	41.00
DABTM9081-2020	1-1/4"-11	1-1/4"-11	28.60	28.60	58.00	52.50	41.00	50.00
DABTM9081-2424	1-1/2"-11	1-1/2"-11	33.30	33.30	62.50	53.30	48.00	55.00
DABTM9081-3232	2"-11	2"-11	46.00	44.00	75.00	60.00	65.00	70.00

DABPF907M

90° Elbow Connector BSPP Fixed Female - BSPT Male

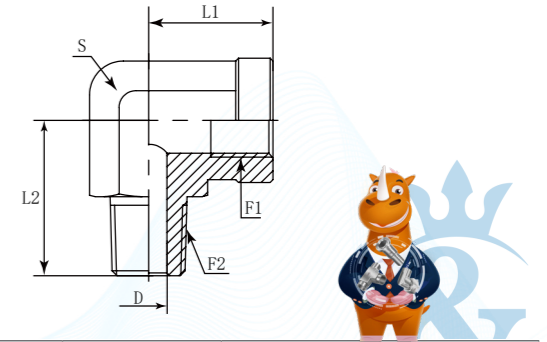
D	A	BP	F	9	07	M
Company	Product Range	Thread Types	Connection Type	Adaptor Structure	Thread Types	Connection Type
DME	Adaptor	BSPP	Female	90° Elbow	BSPT	Male

German Technology Equipment

SHIELD FLEX

New-Standard

- DME&JDE Code: **DABPF907M**
- Product Type: **Hydraulic adaptor**
- Standard: **BSP**
- Structure: **90° Elbow**
- Connection Type: **Fixed Female x Male**
- Thread Types: **BSPP x BSPT**



PART NUMBER	F1 (Thread)	F2 (Thread)	D	L1	L2	S
#	BSPP	BSPT	mm	mm	mm	mm
DABPF907M-0202	1/8"-28	1/8"-28	4.5	17	20	14
DABPF907M-0404	1/4"-19	1/4"-19	6.5	22	27.5	19
DABPF907M-0606	3/8"-19	3/8"-19	10	26	31	22
DABPF907M-0808	1/2"-14	1/2"-14	13	32	37.5	27
DABPF907M-1212	3/4"-14	3/4"-14	18	36	43	33
DABPF907M-1616	1"-11	1"-11	22.2	42	50	41
DABPF907M-2020	1-1/4"-11	1-1/4"-11	28.6	43	60	48
DABPF907M-2424	1-1/2"-11	1-1/2"-11	33.3	53	67	65
DABPF907M-3232	2"-11	2"-11	46	60	76	72

DABPF906Q

90° Adjustable Elbow BSPP Fixed Female - BSPP Male + O Ring + Retaining Ring

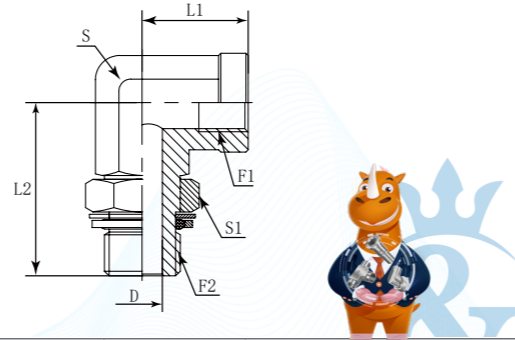
D	A	BP	F	9	06	Q
Company	Product Range	Thread Types	Connection Type	Adaptor Structure	Thread Types	Connection Type
DME	Adaptor	BSPP	Female	90° Elbow	BSPP	Male + O Ring + Retaining Ring

German Technology Equipment

SHIELD FLEX

New-Standard

- DME&JDE Code: **DABPF906Q**
- Product Type: **Hydraulic adaptor**
- Standard: **BSP**
- Structure: **90° Elbow**
- Connection Type: **Adjustable Male × Fixed Female**
- Thread Types: **BSPP × BSPP + O Ring + Retaining Ring**
- Sealing Method: **O Ring + Retaining Ring**



PART NUMBER	F1 (Thread)	F2 (Thread)	D	L1	L2	S	S1
#	BSPP	BSPP	mm	mm	mm	mm	mm
DABPF906Q-0404	1/4"-19	1/4"-19	7.5	22	33.5	19	19
DABPF906Q-0606	3/8"-19	3/8"-19	9.9	26	39.5	22	22
DABPF906Q-0808	1/2"-14	1/2"-14	12.3	32	45.5	27	27
DABPF906Q-1212	3/4"-14	3/4"-14	15.5	36	52	33	36
DABPF906Q-1616	1"-11	1"-11	21.5	42	57	41	41
DABPF906Q-2020	1-1/4"-11	1-1/4"-11	27.5	43	61	48	50

DABP19065

90° Adjustable Elbow BSPP Swivel Female 60° - BSPP Male + O Ring

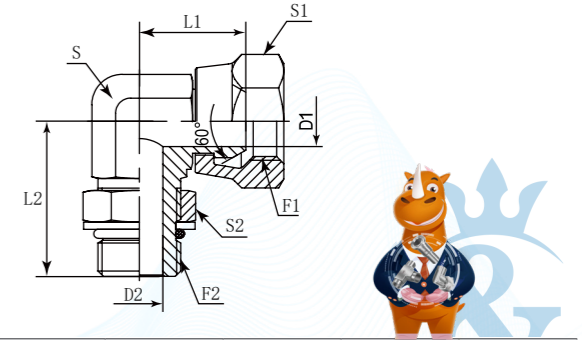
D	A	BP	1	9	06	5
Company	Product Range	Thread Types	Connection Type	Adaptor Structure	Thread Types	Connection Type
DME	Adaptor	BSPP	Swivel Female	90° Elbow	BSPP	Male + O Ring

German Technology Equipment

SHIELD FLEX

New-Standard

- DME&JDE Code: **DABP19065**
- Product Type: **Hydraulic adaptor**
- Standard: **BSP**
- Structure: **90° Elbow**
- Connection Type: **Adjustable Male × Swivel Female**
- Thread Types: **BSPP 60° × BSPP + O Ring**
- Sealing Method: **O Ring**



PART NUMBER	F1 (Thread)	F2 (Thread)	L1	L2	D1	D2	S	S1	S1
#	BSPP	BSPP	mm	mm	mm	mm	mm	mm	mm
DABP19065-0202	1/8"-28	1/8"-28	22.00	26.00	3.50	4.40	11.00	14.00	14.00
DABP19065-0204	1/8"-28	1/4"-19	22.00	31.50	3.50	7.50	14.00	14.00	19.00
DABP19065-0404	1/4"-19	1/4"-19	24.00	31.50	4.70	7.50	14.00	19.00	19.00
DABP19065-0406	1/4"-19	3/8"-19	26.00	36.50	4.70	9.90	19.00	19.00	22.00
DABP19065-0604	3/8"-19	1/4"-19	28.00	34.50	7.90	7.50	19.00	22.00	19.00
DABP19065-0606	3/8"-19	3/8"-19	28.00	37.00	7.90	9.90	19.00	22.00	22.00
DABP19065-0608	3/8"-19	1/2"-14	28.50	43.00	7.90	12.30	22.00	22.00	27.00
DABP19065-0806	1/2"-14	3/8"-19	28.50	39.50	11.10	9.90	22.00	27.00	22.00
DABP19065-0808	1/2"-14	1/2"-14	28.50	43.00	11.10	12.30	22.00	27.00	27.00
DABP19065-1212	3/4"-14	3/4"-14	37.90	50.00	16.70	15.50	27.00	32.00	36.00
DABP19065-1616	1"-11	1"-11	42.00	53.00	22.20	21.50	33.00	41.00	41.00
DABP19065-2020	1-1/4"-11	1-1/4"-11	52.00	58.00	27.50	27.50	41.00	50.00	50.00



DABP1906Q

90° Adjustable Elbow BSPP Swivel Female 60° - BSPP Male + O Ring + Retaining Ring

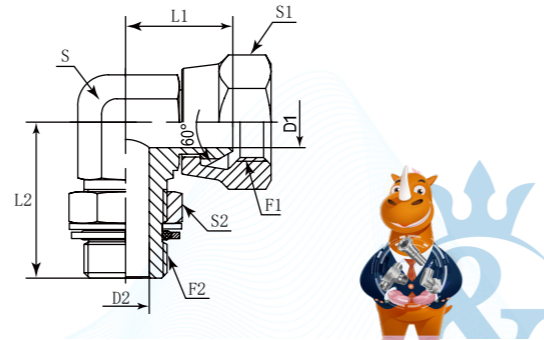
D	A	BP	1	9	06	0
Company	Product Range	Thread Types	Connection Type	Adaptor Structure	Thread Types	Connection Type
DME	Adaptor	BSPP	Swivel Female	90° Elbow	BSPP	Male + O Ring + Retaining Ring

German Technology Equipment

SHIELD FLEX

New-Standard

- DME&JDE Code: **DABP1906Q**
- Product Type: **Hydraulic adaptor**
- Standard: **BSP**
- Structure: **90° Elbow**
- Connection Type: **Adjustable Male × Swivel Female**
- Thread Types: **BSPP 60° × BSPP**
- Sealing Method: **O Ring + Retaining Ring**



PART NUMBER	F1 (Thread)	F2 (Thread)	L1	L2	D1	D2	S	S1	S2
#	BSPP	BSPP	mm	mm	mm	mm	mm	mm	mm
DABP1906Q-0202	1/8"-28	1/8"-28	22.00	26.00	3.50	4.40	11.00	14.00	14.00
DABP1906Q-0204	1/8"-28	1/4"-19	22.00	31.50	3.50	7.50	14.00	14.00	19.00
DABP1906Q-0404	1/4"-19	1/4"-19	24.00	31.50	4.70	7.50	14.00	19.00	19.00
DABP1906Q-0406	1/4"-19	3/8"-19	26.00	36.50	4.70	9.90	19.00	19.00	22.00
DABP1906Q-0604	3/8"-19	1/4"-19	28.00	34.50	7.90	7.50	19.00	22.00	19.00
DABP1906Q-0606	3/8"-19	3/8"-19	28.00	37.00	7.90	9.90	19.00	22.00	22.00
DABP1906Q-0608	3/8"-19	1/2"-14	28.50	43.00	7.90	12.30	22.00	22.00	27.00
DABP1906Q-0806	1/2"-14	3/8"-19	28.50	39.50	11.10	9.90	22.00	27.00	22.00
DABP1906Q-0808	1/2"-14	1/2"-14	28.50	43.00	11.10	12.30	22.00	27.00	27.00
DABP1906Q-1212	3/4"-14	3/4"-14	37.90	50.00	16.70	15.50	27.00	32.00	36.00
DABP1906Q-1616	1"-11	1"-11	42.00	53.00	22.20	21.50	33.00	41.00	41.00
DABP1906Q-2020	1-1/4"-11	1-1/4"-11	52.00	58.00	27.50	27.50	41.00	50.00	50.00

DABP1952Q

90° Adjustable Elbow BSPP Swivel Female 60° - Metric Male + O Ring + Retaining Ring

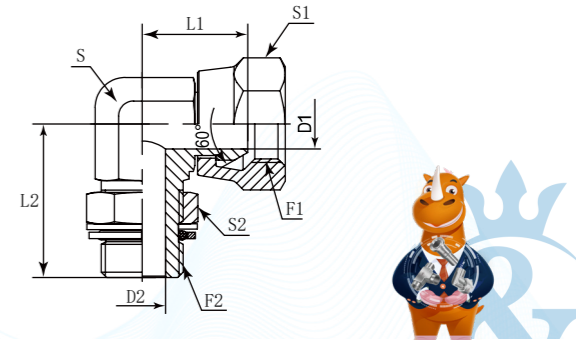
D	A	BP	1	9	52	0
Company	Product Range	Thread Types	Connection Type	Adaptor Structure	Thread Types	Connection Type
DME	Adaptor	BSPP	Swivel Female	90° Elbow	Metric	Male+ O Ring + Retaining Ring

German Technology Equipment

SHIELD FLEX

New-Standard

- DME&JDE Code: **DABP1952Q**
- Product Type: **Hydraulic adaptor**
- Standard: **BSP**
- Structure: **90° Elbow**
- Connection Type: **Adjustable Male × Swivel Female**
- Thread Types: **BSPP 60° × Metric**
- Sealing Method: **O Ring + Retaining Ring**



PART NUMBER	F1 (Thread)	F2 (Thread)	L1	L2	D1	D2	S	S1	S2
#	BSPP	Metric	mm	mm	mm	mm	mm	mm	mm
DABP1952Q-0210	1/8"-28	M10X1	20.50	27.00	3.50	4.50	11.00	14.00	14.00
DABP1952Q-0212	1/8"-28	M12X1.5	22.50	31.50	3.50	6.00	14.00	14.00	17.00
DABP1952Q-0412	1/4"-19	M12X1.5	24.00	31.50	4.50	6.00	14.00	19.00	17.00
DABP1952Q-0414	1/4"-19	M14X1.5	24.00	31.50	4.50	7.50	14.00	19.00	19.00
DABP1952Q-0416	1/4"-19	M16X1.5	26.00	37.00	4.50	9.00	19.00	19.00	22.00
DABP1952Q-0614	3/8"-19	M14X1.5	26.00	34.00	7.90	7.50	19.00	22.00	19.00
DABP1952Q-0616	3/8"-19	M16X1.5	26.00	37.00	7.90	9.00	19.00	22.00	22.00
DABP1952Q-0618	3/8"-19	M18X1.5	26.00	38.00	7.90	11.00	19.00	22.00	24.00
DABP1952Q-0818	1/2"-14	M18X1.5	28.50	41.00	11.10	11.00	19.00	27.00	24.00
DABP1952Q-0820	1/2"-14	M20X1.5	28.50	43.00	11.10	12.50	22.00	27.00	27.00
DABP1952Q-0822	1/2"-14	M22X1.5	28.50	43.00	11.10	14.00	22.00	27.00	27.00
DABP1952Q-1022	5/8"-14	M22X1.5	28.50	45.00	12.00	14.00	22.00	30.00	27.00
DABP1952Q-1222	3/4"-14	M22X1.5	37.00	46.00	16.70	14.00	27.00	32.00	27.00
DABP1952Q-1226	3/4"-14	M26X1.5	37.00	50.00	16.70	17.00	27.00	32.00	32.00
DABP1952Q-1227	3/4"-14	M27X2	37.00	50.00	16.70	18.00	27.00	32.00	32.00
DABP1952Q-1627	1"-11	M27X2	42.00	52.00	22.20	18.00	33.00	41.00	32.00
DABP1952Q-1633	1"-11	M33X2	42.00	53.00	22.20	23.00	33.00	41.00	41.00
DABP1952Q-2042	1-1/4"-11	M42X2	50.00	58.00	28.60	30.00	41.00	50.00	50.00
DABP1952Q-2448	1-1/2"-11	M48X2	53.50	67.00	33.30	36.00	48.00	55.00	55.00

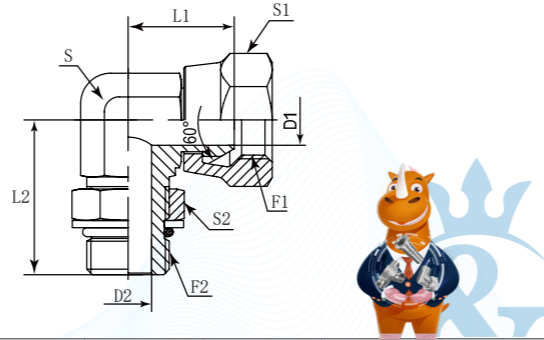
DABP19525

90° Adjustable Elbow BSPP Swivel Female 60° - Metric Male + O Ring

D	A	BP	1	9	52	5
Company	Product Range	Thread Types	Connection Type	Adaptor Structure	Thread Types	Connection Type
DME	Adaptor	BSPP	Swivel Female	90° Elbow	Metric	Male + O Ring



- DME&JDE Code:** DABP19525
- Product Type:** Hydraulic adaptor
- Standard:** BSP
- Structure:** 90° Elbow
- Connection Type:** Adjustable Male x Swivel Female
- Thread Types:** BSPP 60° x Metric + O Ring
- Sealing Method:** O Ring



PART NUMBER	F1 (Thread)	F2 (Thread)	L1	L2	D1	D2	S	S1	S2
#	BSPP	Metric	mm	mm	mm	mm	mm	mm	mm
DABP19525-0210	1/8"-28	M10X1	20.50	27.00	3.50	4.50	11.00	14.00	14.00
DABP19525-0212	1/8"-28	M12X1.5	22.50	31.50	3.50	6.00	14.00	14.00	17.00
DABP19525-0412	1/4"-19	M12X1.5	24.00	31.50	4.50	6.00	14.00	19.00	17.00
DABP19525-0414	1/4"-19	M14X1.5	24.00	31.50	4.50	7.50	14.00	19.00	19.00
DABP19525-0416	1/4"-19	M16X1.5	26.00	37.00	4.50	9.00	19.00	19.00	22.00
DABP19525-0614	3/8"-19	M14X1.5	26.00	34.00	7.90	7.50	19.00	22.00	19.00
DABP19525-0616	3/8"-19	M16X1.5	26.00	37.00	7.90	9.00	19.00	22.00	22.00
DABP19525-0618	3/8"-19	M18X1.5	26.00	38.00	7.90	11.00	19.00	22.00	24.00
DABP19525-0818	1/2"-14	M18X1.5	28.50	41.00	11.10	11.00	19.00	27.00	24.00
DABP19525-0820	1/2"-14	M20X1.5	28.50	43.00	11.10	12.50	22.00	27.00	27.00
DABP19525-0822	1/2"-14	M22X1.5	28.50	43.00	11.10	14.00	22.00	27.00	27.00
DABP19525-1022	5/8"-14	M22X1.5	28.50	45.00	12.00	14.00	22.00	30.00	27.00
DABP19525-1222	3/4"-14	M22X1.5	37.00	46.00	16.70	14.00	27.00	32.00	27.00
DABP19525-1226	3/4"-14	M26X1.5	37.00	50.00	16.70	17.00	27.00	32.00	32.00
DABP19525-1227	3/4"-14	M27X2	37.00	50.00	16.70	18.00	27.00	32.00	32.00
DABP19525-1627	1"-11	M27X2	42.00	52.00	22.20	18.00	33.00	41.00	32.00
DABP19525-1633	1"-11	M33X2	42.00	53.00	22.20	23.00	33.00	41.00	41.00
DABP19525-2042	1-1/4"-11	M42X2	50.00	58.00	28.60	30.00	41.00	50.00	50.00
DABP19525-2448	1-1/2"-11	M48X2	53.50	67.00	33.30	36.00	48.00	55.00	55.00

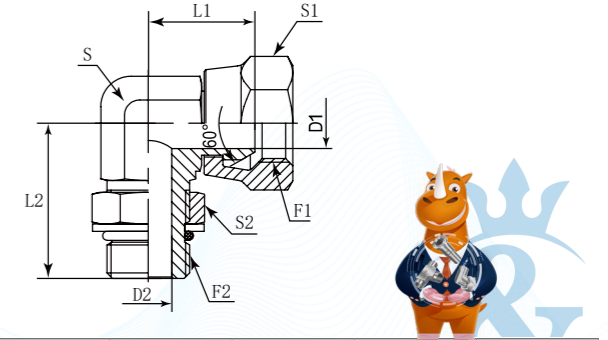
DABP19305

90° Adjustable Elbow BSPP Swivel Female 60° - SAE Male + O Ring

D	A	BP	1	9	30	5
Company	Product Range	Thread Types	Connection Type	Adaptor Structure	Thread Types	Connection Type
DME	Adaptor	BSPP	Swivel Female	90° Elbow	SAE UNF	Male + O Ring



- DME&JDE Code:** DABP19305
- Product Type:** Hydraulic adaptor
- Standard:** BSP
- Structure:** 90° Elbow
- Connection Type:** Adjustable Male x Swivel Female
- Thread Types:** BSPP 60° x SAE UNF + O Ring
- Sealing Method:** O Ring



PART NUMBER	F1 (Thread)	F2 (Thread)	L1	L2	D1	D2	S	S1	S2
#	BSPP	UNF	mm	mm	mm	mm	mm	mm	mm
DABP19305-0404	1/4"-19	7/16"-20	21.60	27.20	4.70	4.37	11.00	19.00	17.00
DABP19305-0406	1/4"-19	9/16"-18	21.60	31.80	4.70	7.54	14.00	19.00	19.00
DABP19305-0606	3/8"-19	9/16"-18	25.60	33.30	7.90	7.54	19.00	22.00	19.00
DABP19305-0608	3/8"-19	3/4"-16	25.60	36.80	7.90	9.93	19.00	22.00	22.00
DABP19305-0806	1/2"-14	9/16"-18	29.80	33.50	11.10	7.54	22.00	27.00	19.00
DABP19305-0808	1/2"-14	3/4"-16	29.80	36.80	11.10	9.93	22.00	27.00	22.00
DABP19305-0810	1/2"-14	7/8"-14	31.20	44.00	11.10	12.29	22.00	27.00	27.00
DABP19305-0812	1/2"-14	1 1/16"-12	29.80	51.00	11.10	15.47	27.00	27.00	32.00
DABP19305-1008	5/8"-14	3/4"-16	31.20	39.50	12.00	9.93	22.00	30.00	22.00
DABP19305-1208	3/4"-14	3/4"-16	35.30	40.50	16.70	9.93	27.00	32.00	22.00
DABP19305-1212	3/4"-14	1 1/16"-12	35.30	51.00	16.70	15.47	27.00	32.00	27.00
DABP19305-1612	1"-11	1 1/16"-12	35.30	54.50	22.20	15.47	33.00	41.00	32.00
DABP19305-1616	1"-11	1 5/16"-12	45.50	54.50	22.20	21.44	33.00	41.00	41.00
DABP19305-2020	1 1/4"-11	1 5/8"-12	50.00	59.50	28.60	27.38	41.00	50.00	50.00
DABP19305-2424	1 1/2"-11	1 7/8"-12	53.50	63.00	33.30	33.32	48.00	55.00	55.00



DABPF905F

90° Elbow Connector BSPP Fixed Female - BSPP Fixed Female

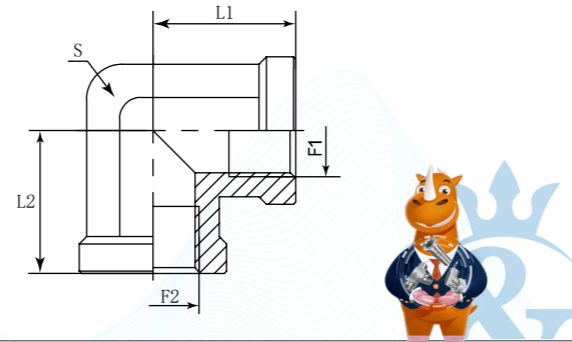
D	A	BP	F	9	05	F
Company	Product Range	Thread Types	Connection Type	Adaptor Structure	Thread Types	Connection Type
DME	Adaptor	BSPP	Female	90° Elbow	BSPP	Female

German Technology Equipment

SHIELD FLEX

New-Standard

- DME&JDE Code: **DABPF905F**
- Product Type: **Hydraulic adaptor**
- Standard: **BSP**
- Structure: **90° Elbow**
- Connection Type: **Fixed Female × Fixed Female**
- Thread Types: **BSPP × BSPP**



PART NUMBER	F1 (Thread)	F2 (Thread)	L1	L2	S
#	BSPP	BSPP	mm	mm	mm
DABPF905F-0202	1/8"-28	1/8"-28	20.00	20.00	14.00
DABPF905F-0404	1/4"-19	1/4"-19	22.00	22.00	19.00
DABPF905F-0606	3/8"-19	3/8"-19	26.00	26.00	22.00
DABPF905F-0808	1/2"-14	1/2"-14	32.00	32.00	27.00
DABPF905F-1212	3/4"-14	3/4"-14	36.00	36.00	33.00
DABPF905F-1616	1"-11	1"-11	42.00	42.00	41.00
DABPF905F-2020	1-1/4"	1-1/4"	43.00	43.00	48.00
DABPF905F-2424	1-1/2"	1-1/2"	53.00	53.00	65.00
DABPF905F-3232	2"-11	2"-11	60.00	60.00	72.00

DABP19081

90° Elbow BSPP Swivel Female 60° - BSPP Swivel Female 60°

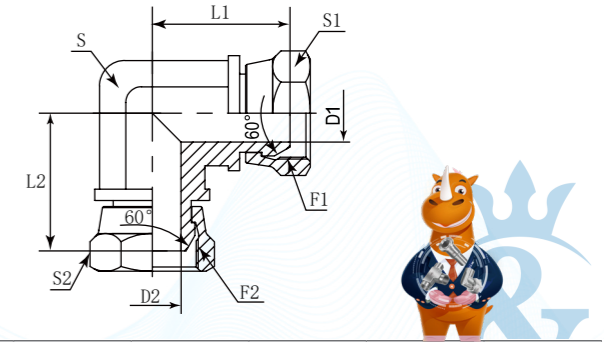
D	A	BP	1	9	081
Company	Product Range	Thread Types	Connection Type	Adaptor Structure	Connection Type
DME	Adaptor	BSPP	Swivel Female	90° Elbow	BSPP Swivel Female

German Technology Equipment

SHIELD FLEX

New-Standard

- DME&JDE Code: **DABP19081**
- Product Type: **Hydraulic adaptor**
- Standard: **BSP**
- Structure: **90° Elbow**
- Connection Type: **Swivel Female × Swivel Female**
- Thread Types: **BSPP 60° × BSPP 60°**



PART NUMBER	F1 (Thread)	F2 (Thread)	L1	L2	D1	D2	S	S1	S2
#	BSPP	BSPP	mm	mm	mm	mm	mm	mm	mm
DABP19081-0202	1/8"-28	1/8"-28	22.50	22.50	3.50	3.50	11.00	14.00	14.00
DABP19081-0404	1/4"-19	1/4"-19	24.50	24.50	4.70	4.70	14.00	19.00	19.00
DABP19081-0606	3/8"-19	3/8"-19	27.20	27.20	7.90	7.90	19.00	22.00	22.00
DABP19081-0808	1/2"-14	1/2"-14	31.50	31.50	11.10	11.10	22.00	27.00	27.00
DABP19081-1212	3/4"-14	3/4"-14	37.90	37.90	16.70	16.70	27.00	32.00	32.00
DABP19081-1616	1"-11	1"-11	46.00	46.00	22.20	22.20	33.00	41.00	41.00
DABP19081-2020	1-1/4"-11	1-1/4"-11	50.00	50.00	26.00	26.00	41.00	50.00	50.00
DABP19081-2424	1-1/2"-11	1-1/2"-11	55.00	55.00	33.30	33.30	48.00	55.00	55.00
DABP19081-3232	2"-11	2"-11	65.00	65.00	45.00	45.00	65.00	70.00	70.00

DABP19081-B

90° Swept Elbow BSPP Swivel Female 60° - BSPP Swivel Female 60°

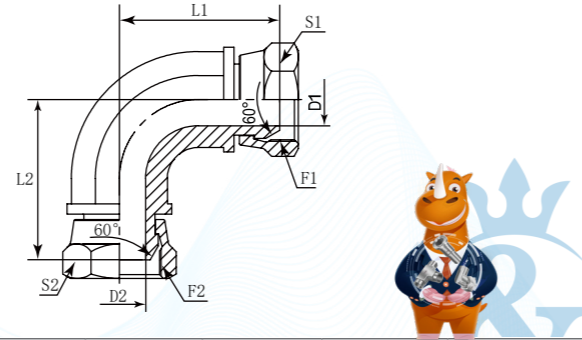
D	A	BP	1	9	081	B
Company	Product Range	Thread Types	Connection Type	Adaptor Structure	Connection Type	Elbow Type
DME	Adaptor	BSPP	Swivel Female	90° Elbow	BSPP Swivel Female	Swept Elbow

German Technology Equipment

SHIELD FLEX

New-Standard

- DME&JDE Code: **DABP19081-B**
- Product Type: **Hydraulic adaptor**
- Standard: **BSP**
- Structure: **90° Elbow**
- Connection Type: **Swivel Female x Swivel Female**
- Thread Types: **BSPP 60° x BSPP 60°**



PART NUMBER	F1 (Thread)	F2 (Thread)	L1	L2	D1	D2	S1	S2
#	BSPP	BSPP	mm	mm	mm	mm	mm	mm
DABP19081-0404B	1/4"-19	1/4"-19	30.00	30.00	4.00	4.00	19.00	19.00
DABP19081-0606B	3/8"-19	3/8"-19	36.50	36.50	7.00	7.00	22.00	22.00
DABP19081-0808B	1/2"-14	1/2"-14	45.00	45.00	10.00	10.00	27.00	27.00
DABP19081-1010B	5/8"-14	5/8"-14	53.00	53.00	12.00	12.00	30.00	30.00
DABP19081-1212B	3/4"-14	3/4"-14	58.00	58.00	15.00	15.00	32.00	32.00
DABP19081-1616B	1"-11	1"-11	73.00	73.00	19.00	19.00	41.00	41.00
DABP19081-2020B	1-1/4"-11	1-1/4"-11	92.00	92.00	26.00	26.00	50.00	50.00



DABTF907F

90° Elbow BSPT Fixed Female - BSPT Fixed Female

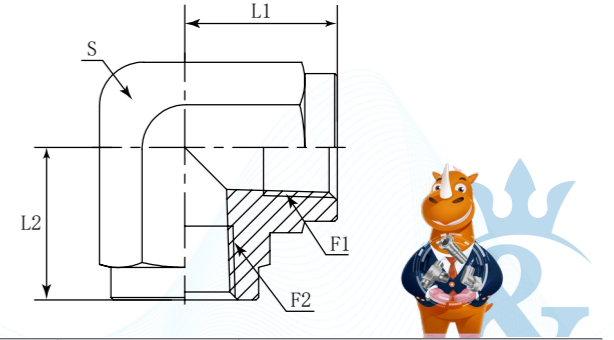
D	A	BT	F	9	07	F
Company	Product Range	Thread Types	Connection Type	Adaptor Structure	Thread Types	Connection Type
DME	Adaptor	BSPP	Female	90° Elbow	BSPT	Female

German Technology Equipment

SHIELD FLEX

New-Standard

- DME&JDE Code: **DABTF907F**
- Product Type: **Hydraulic adaptor**
- Standard: **BSP**
- Structure: **90° Elbow**
- Connection Type: **Fixed Female x Fixed Female**
- Thread Types: **BSPT x BSPT**



PART NUMBER	F1 (Thread)	F2 (Thread)	L1	L2	S
#	BSPT	BSPT	mm	mm	mm
DABTF907F-0202	1/8"-28	1/8"-28	16.80	16.80	14.28
DABTF907F-0404	1/4"-19	1/4"-19	22.50	22.50	19.00
DABTF907F-0606	3/8"-19	3/8"-19	26.00	26.00	22.00
DABTF907F-0808	1/2"-14	1/2"-14	31.00	31.00	27.00
DABTF907F-1212	3/4"-14	3/4"-14	34.50	34.50	33.00
DABTF907F-1616	1"-11	1"-11	41.20	41.20	41.00
DABTF907F-2020	1-1/4"-11	1-1/4"-11	43.20	43.20	48.00
DABTF907F-2424	1-1/2"-11	1-1/2"-11	53.00	53.00	65.00
DABTF907F-3232	2"-11	2"-11	62.00	62.00	71.00



DABTM907F

90° Elbow BSPT Male 60° - BSPT Fixed Female

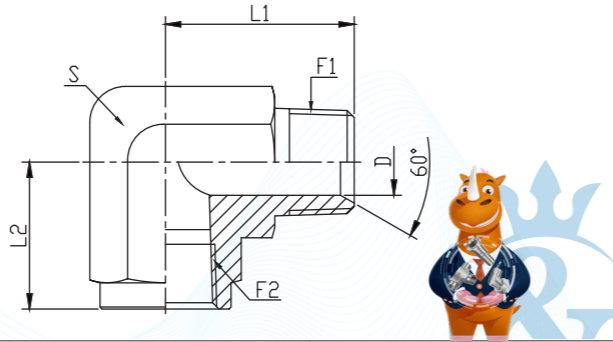
D	A	BT	M	9	07	F
Company	Product Range	Thread Types	Connection Type	Adaptor Structure	Thread Types	Connection Type
DME	Adaptor	BSPP	Male	90° Elbow	BSPT	Male

German Technology Equipment

SHIELD FLEX

New-Standard

- DME&JDE Code: **DABTM907F**
- Product Type: **Hydraulic adaptor**
- Standard: **BSP**
- Structure: **90° Elbow**
- Connection Type: **Male × Fixed Female**
- Thread Types: **BSPT 60° × BSPT**



PART NUMBER	F1 (Thread)	F2 (Thread)	C	D	L	S
#	BSPT	BSPT	mm	mm	mm	mm
DABTM907F-0202	1/8"-28	1/8"-28	19.80	16.80	4.50	14.00
DABTM907F-0404	1/4"-19	1/4"-19	27.70	22.40	6.00	19.00
DABTM907F-0606	3/8"-19	3/8"-19	31.00	25.90	9.00	22.00
DABTM907F-0808	1/2"-14	1/2"-14	37.30	31.20	12.00	27.00
DABTM907F-1212	3/4"-14	3/4"-14	40.40	34.50	16.70	33.00
DABTM907F-1616	1"-11	1"-11	50.00	41.20	22.20	41.00
DABTM907F-2020	1 1/4"-11	1 1/4"-11	61.00	43.20	28.60	48.00
DABTM907F-2424	1 1/2"-11	1 1/2"-11	67.10	52.80	33.30	65.00
DABTM907F-3232	2"-11	2"-11	75.00	62.00	46.00	71.00

DABPMT05M

Branch Tee Connector BSPP Male 60° - BSPP Male 60°

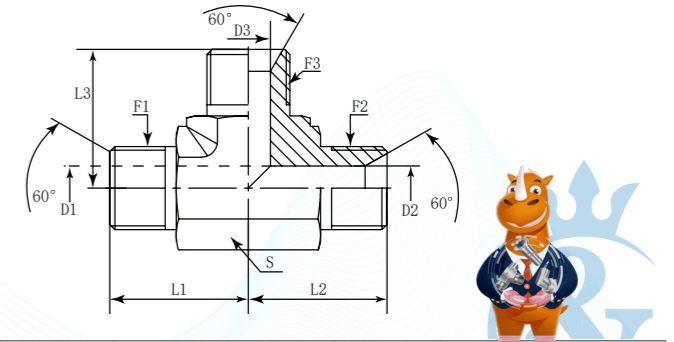
D	A	BP	M	T	05	M
Company	Product Range	Thread Types	Connection Type	Adaptor Structure	Thread Types	Connection Type
DME	Adaptor	BSPP	Male	Branch Tee	BSPP	Male

German Technology Equipment

SHIELD FLEX

New-Standard

- DME&JDE Code: **DABPMT05M**
- Product Type: **Hydraulic adaptor**
- Standard: **BSP**
- Structure: **Branch Tee**
- Connection Type: **Male × Male × Male**
- Thread Types: **BSPP 60° × BSPP 60° × BSPP 60°**



PART NUMBER	F1 (Thread)	F2 (Thread)	F3 (Thread)	L1	L2	L3	D1	D2	D3	S
#	BSPP	BSPP	BSPP	mm	mm	mm	mm	mm	mm	mm
DABPMT05M-0202	1/8"-28	1/8"-28	1/8"-28	20.50	20.50	20.50	3.50	3.50	3.50	11
DABPMT05M-0404	1/4"-19	1/4"-19	1/4"-19	27.00	27.00	27.00	4.70	4.70	4.70	14
DABPMT05M-0606	3/8"-19	3/8"-19	3/8"-19	29.00	29.00	29.00	7.90	7.90	7.90	19
DABPMT05M-0808	1/2"-14	1/2"-14	1/2"-14	35.00	35.00	35.00	11.10	11.10	11.10	22
DABPMT05M-1010	5/8"-14	5/8"-14	5/8"-14	37.00	37.00	37.00	14.30	14.30	14.30	27
DABPMT05M-1212	3/4"-14	3/4"-14	3/4"-14	43.00	43.00	43.00	16.70	16.70	16.70	27
DABPMT05M-121208	3/4"-14	3/4"-14	1/2"-14	43.00	43.00	40.00	16.70	16.70	11.10	27
DABPMT05M-1616	1"-11	1"-11	1"-11	48.00	48.00	48.00	22.20	22.20	22.20	33
DABPMT05M-161208	1"-11	3/4"-14	1/2"-14	46.00	44.50	44.50	22.20	16.70	11.10	33
DABPMT05M-2020	1-1/4"-11	1-1/4"-11	1-1/4"-11	51.00	51.00	51.00	28.60	28.60	28.60	41
DABPMT05M-2424	1-1/2"-11	1-1/2"-11	1-1/2"-11	60.50	60.50	60.50	33.30	33.30	33.30	48
DABPMT05M-3232	2"-11	2"-11	2"-11	75.00	75.00	75.00	46.00	46.00	46.00	65



DABPMT05M-SQ

Branch Tee Connector Square BSPP Male 60° - BSPP Male 60°

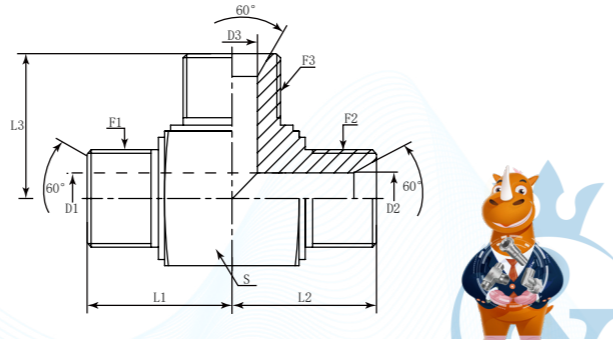
D	A	BP	M	T	05	M	SQ
Company	Product Range	Thread Types	Connection Type	Adaptor Structure	Thread Types	Connection Type	Body Type
DME	Adaptor	BSPP	Male	Branch Tee	BSPP	Male	Square

German Technology Equipment

SHIELD FLEX

New-Standard

- DME&JDE Code: **DABPMT05M-SQ**
- Product Type: **Hydraulic adaptor**
- Standard: **BSP**
- Structure: **Branch Tee**
- Connection Type: **Male x Male x Male**
- Thread Types: **BSPP 60° x BSPP 60° x BSPP 60°**



PART NUMBER	F1 (Thread)	F2 (Thread)	F3 (Thread)	L1	L2	L3	D1	D2	D3
#	BSPP	BSPP	BSPP	mm	mm	mm	mm	mm	mm
DABPMT05M-0202SQ	1/8"-28	1/8"-28	1/8"-28	18.00	18.00	18.00	3.50	3.50	3.50
DABPMT05M-0404SQ	1/4"-19	1/4"-19	1/4"-19	22.50	22.50	22.50	4.70	4.70	4.70
DABPMT05M-0606SQ	3/8"-19	3/8"-19	3/8"-19	25.00	25.00	25.00	7.90	7.90	7.90
DABPMT05M-0808SQ	1/2"-14	1/2"-14	1/2"-14	31.80	31.80	31.80	11.10	11.10	11.10
DABPMT05M-1212SQ	3/4"-14	3/4"-14	3/4"-14	34.00	34.00	34.00	16.70	16.70	16.70
DABPMT05M-1616SQ	1"-11	1"-11	1"-11	44.00	44.00	44.00	22.20	22.20	22.20

DABPMT081

Branch Tee Connector BSPP Male 60° - BSPP Swivel Female 60°

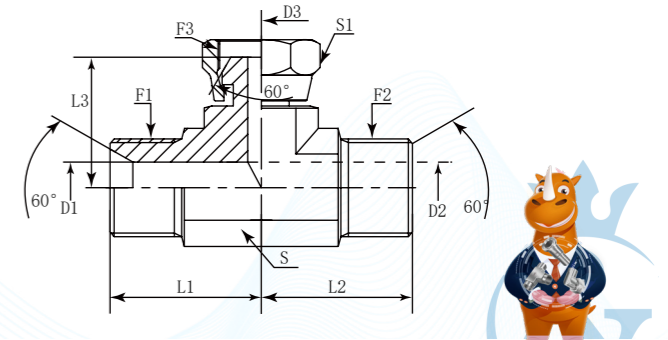
D	A	BP	M	T	081
Company	Product Range	Thread Types	Connection Type	Adaptor Structure	Connection Type
DME	Adaptor	BSPP	Male	Branch Tee	Swivel Female

German Technology Equipment

SHIELD FLEX

New-Standard

- DME&JDE Code: **DABPMT081**
- Product Type: **Hydraulic adaptor**
- Standard: **BSP**
- Structure: **Branch Tee**
- Connection Type: **Male x Male x Swivel Female**
- Thread Types: **BSPP 60° x BSPP 60° x BSPP 60°**



PART NUMBER	F1 (Thread)	F2 (Thread)	F3 (Thread)	L1	L2	L3	D1	D2	D3	S	S1
#	BSPP	BSPP	BSPP	mm	mm	mm	mm	mm	mm	mm	mm
DABPMT081-0202	1/8"-28	1/8"-28	1/8"-28	22.50	22.50	22.50	3.50	3.50	3.50	11	14
DABPMT081-0404	1/4"-19	1/4"-19	1/4"-19	27.00	27.00	23.81	4.70	4.70	4.70	14	19
DABPMT081-0606	3/8"-19	3/8"-19	3/8"-19	29.00	29.00	28.20	7.90	7.90	7.90	19	22
DABPMT081-0808	1/2"-14	1/2"-14	1/2"-14	35.00	35.00	33.60	11.10	11.10	11.10	22	27
DABPMT081-1010	5/8"-14	5/8"-14	5/8"-14	37.00	37.00	35.50	14.30	14.30	12.00	27	30
DABPMT081-1212	3/4"-14	3/4"-14	3/4"-14	43.00	43.00	37.90	16.70	16.70	16.70	27	32
DABPMT081-1616	1"-11	1"-11	1"-11	47.00	47.00	45.42	22.20	22.20	22.20	33	41
DABPMT081-2020	1-1/4"-11	1-1/4"-11	1-1/4"-11	50.00	50.00	50.00	28.60	28.60	28.60	41	50
DABPMT081-2424	1-1/2"-11	1-1/2"-11	1-1/2"-11	60.50	60.50	54.80	33.30	33.30	33.30	48	55
DABPMT081-3232	2"-11	2"-11	2"-11	75.00	75.00	60.00	46.00	46.00	46.00	65	70



DABPMT081-SQ

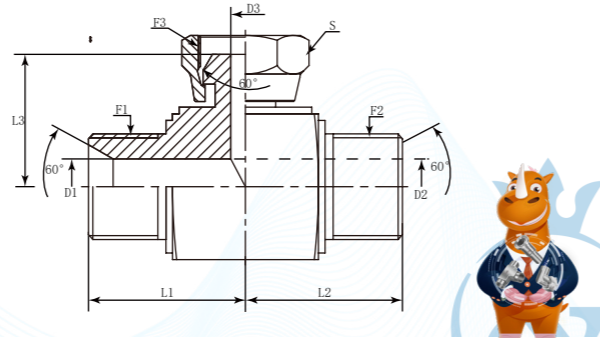
Branch Tee Connector Square BSPP Male 60° - BSPP Swivel Female 60°

D	A	BP	M	T	081	SQ
Company	Product Range	Thread Types	Connection Type	Adaptor Structure	Connection Type	Body Type
DME	Adaptor	BSPP	Male	Branch Tee	Swivel Female	Square

German Technology Equipment

New-Standard

- DME&JDE Code: DABPMT081-SQ
- Product Type: Hydraulic adaptor
- Standard: BSP
- Structure: Branch Tee
- Connection Type: Male x Male x Swivel Female
- Thread Types: BSPP 60° x BSPP 60° x BSPP 60°



PART NUMBER	F1 (Thread)	F2 (Thread)	F3 (Thread)	L1	L2	L3	D1	D2	D3
#	BSPP	BSPP	BSPP	mm	mm	mm	mm	mm	mm
DABPMT081-0404SQ	1/4"-19	1/4"-19	1/4"-19	22.50	22.50	22.00	4.70	4.70	4.70
DABPMT081-0606SQ	3/8"-19	3/8"-19	3/8"-19	26.00	26.00	25.00	7.90	7.90	7.90
DABPMT081-0808SQ	1/2"-14	1/2"-14	1/2"-14	31.80	31.80	28.50	11.10	11.10	11.10
DABPMT081-1212SQ	3/4"-14	3/4"-14	3/4"-14	35.00	35.00	34.00	16.70	16.70	16.70
DABPMT081-1616SQ	1"-11	1"-11	1"-11	44.00	44.00	41.20	22.20	22.20	22.20
DABPMT081-2020SQ	1-1/4"-11	1-1/4"-11	1-1/4"-11	50.00	50.00	48.00	28.60	28.60	28.60

DABPMT07M

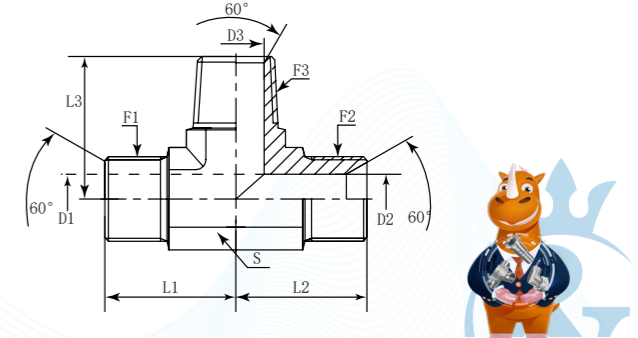
Branch Tee Connector BSPP Male 60° - BSPT Male 60°

D	A	BP	M	T	07	M
Company	Product Range	Thread Types	Connection Type	Adaptor Structure	Thread Types	Connection Type
DME	Adaptor	BSPP	Male	Branch Tee	BSPT	Male

German Technology Equipment

New-Standard

- DME&JDE Code: DABPMT07M
- Product Type: Hydraulic adaptor
- Standard: BSP
- Structure: Branch Tee
- Connection Type: Male x Male x Male
- Thread Types: BSPP 60° x BSPP 60° x BSPT 60°



PART NUMBER	F1 (Thread)	F2 (Thread)	F3 (Thread)	L1	L2	L3	D1	D2	D3	S
#	BSPP	BSPP	BSPT	mm	mm	mm	mm	mm	mm	mm
DABPMT07M-0202	1/8"-28	1/8"-28	1/8"-28	18.50	18.50	18.50	3.50	3.50	4.50	11
DABPMT07M-0402	1/4"-28	1/4"-28	1/8"-28	27.00	27.00	23.00	4.70	4.70	4.50	14
DABPMT07M-0404	1/4"-19	1/4"-19	1/4"-19	27.00	27.00	27.00	4.70	4.70	6.00	14
DABPMT07M-0606	3/8"-19	3/8"-19	3/8"-19	29.00	29.00	31.00	7.90	7.90	9.00	19
DABPMT07M-0806	1/2"-14	1/2"-14	3/8"-19	34.00	34.00	33.00	11.10	11.10	9.00	22
DABPMT07M-0808	1/2"-14	1/2"-14	1/2"-14	34.00	34.00	37.50	11.10	11.10	12.00	22
DABPMT07M-1008	5/8"-14	5/8"-14	1/2"-14	38.00	38.00	40.00	14.30	14.30	12.00	27
DABPMT07M-1212	3/4"-14	3/4"-14	3/4"-14	40.00	40.00	40.00	16.70	16.70	16.70	27
DABPMT07M-1616	1"-11	1"-11	1"-11	45.00	45.00	50.00	22.20	22.20	22.20	33
DABPMT07M-2020	1-1/4"-11	1-1/4"-11	1-1/4"-11	52.00	52.00	56.00	28.60	28.60	28.60	41
DABPMT07M-2424	1-1/2"-11	1-1/2"-11	1-1/2"-11	59.00	59.00	67.00	33.30	33.30	33.30	48
DABPMT07M-3232	2"-11	2"-11	2"-11	75.00	75.00	75.00	46.00	46.00	45.00	65



DABPMT28M

Branch Tee Connector BSPP Male 60° - NPTF Male 60°

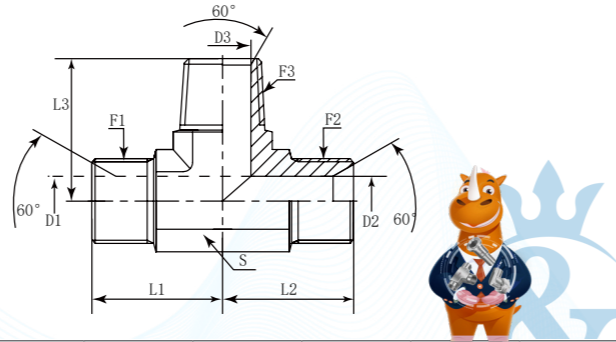
D	A	BP	M	T	28	M
Company	Product Range	Thread Types	Connection Type	Adaptor Structure	Thread Types	Connection Type
DME	Adaptor	BSPP	Male	Branch Tee	NPTF	Male

German Technology Equipment

SHIELD FLEX

New-Standard

- DME&JDE Code: **DABPMT28M**
- Product Type: **Hydraulic adaptor**
- Standard: **BSP**
- Structure: **Branch Tee**
- Connection Type: **Male x Male x Male**
- Thread Types: **BSPP 60° x BSPP 60° x NPTF 60°**



PART NUMBER	F1 (Thread)	F2 (Thread)	F3 (Thread)	L1	L2	L3	D1	D2	D3	S
#	BSPP	BSPP	NPTF	mm	mm	mm	mm	mm	mm	mm
DABPMT28M-0202	1/8"-28	1/8"-28	1/8"-27	18.50	18.50	18.50	3.50	3.50	4.78	11
DABPMT28M-0402	1/4"-28	1/4"-28	1/8"-27	27.00	27.00	23.00	4.70	4.70	4.78	14
DABPMT28M-0404	1/4"-19	1/4"-19	1/4"-18	27.00	27.00	27.70	4.70	4.70	7.14	14
DABPMT28M-0606	3/8"-19	3/8"-19	3/8"-18	29.00	29.00	31.00	7.90	7.90	10.31	19
DABPMT28M-0806	1/2"-14	1/2"-14	3/8"-18	34.00	34.00	33.00	11.10	11.10	10.31	22
DABPMT28M-0808	1/2"-14	1/2"-14	1/2"-14	34.00	34.00	37.50	11.10	11.10	13.49	22
DABPMT28M-1008	5/8"-14	5/8"-14	1/2"-14	38.00	38.00	40.00	14.30	14.30	13.49	27
DABPMT28M-1212	3/4"-14	3/4"-14	3/4"-14	40.00	40.00	40.40	16.70	16.70	18.26	27
DABPMT28M-1616	1"-11	1"-11	1"-11-1/2	45.00	45.00	50.00	22.20	22.20	23.83	33
DABPMT28M-2020	1-1/4"-11	1-1/4"-11	1-1/4"-11-1/2	52.00	52.00	60.50	28.60	28.60	31.75	41
DABPMT28M-2424	1-1/2"-11	1-1/2"-11	1-1/2"-11-1/2	59.00	59.00	67.10	33.30	33.30	38.10	48
DABPMT28M-3232	2"-11	2"-11	2"-11-1/2	75.00	75.00	76.20	46.00	46.00	49.23	65

DABPML07M

Run Tee Connector BSPP Male 60° - BSPT Male 60°

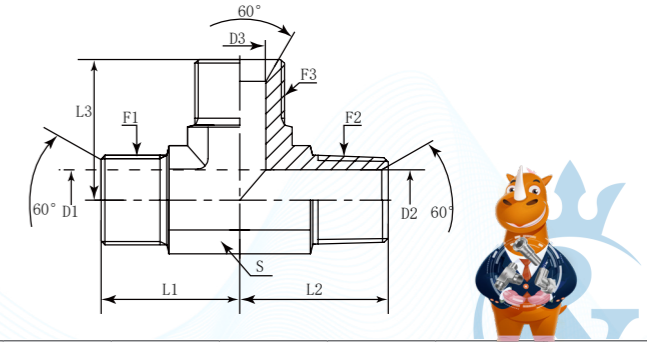
D	A	BP	M	L	07	M
Company	Product Range	Thread Types	Connection Type	Adaptor Structure	Thread Types	Connection Type
DME	Adaptor	BSPP	Male	Run Tee	BSPT	Male

German Technology Equipment

SHIELD FLEX

New-Standard

- DME&JDE Code: **DABPML07M**
- Product Type: **Hydraulic adaptor**
- Standard: **BSP**
- Structure: **Run Tee**
- Connection Type: **Male x Male x Male**
- Thread Types: **BSPP 60° x BSPT 60° x BSPP 60°**



PART NUMBER	F1 (Thread)	F2 (Thread)	F3 (Thread)	L1	L2	L3	D1	D2	D3	S
#	BSPP	BSPT	BSPP	mm	mm	mm	mm	mm	mm	mm
DABPML07M-0202	1/8"-28	1/8"-28	1/8"-28	18.50	18.50	18.50	3.50	4.50	3.50	11
DABPML07M-0402	1/4"-28	1/8"-28	1/4"-28	27.00	23.00	27.00	4.70	4.50	4.70	14
DABPML07M-0404	1/4"-19	1/4"-19	1/4"-19	27.00	27.00	27.00	4.70	6.00	4.70	14
DABPML07M-0606	3/8"-19	3/8"-19	3/8"-19	29.00	31.00	29.00	7.90	9.00	7.90	19
DABPML07M-0806	1/2"-14	3/8"-19	1/2"-14	34.00	33.00	34.00	11.10	9.00	11.10	22
DABPML07M-0808	1/2"-14	1/2"-14	1/2"-14	34.00	37.50	34.00	11.10	12.00	11.10	22
DABPML07M-1008	5/8"-14	1/2"-14	5/8"-14	38.00	40.00	38.00	14.30	12.00	14.30	27
DABPML07M-1212	3/4"-14	3/4"-14	3/4"-14	40.00	40.00	40.00	16.70	16.70	16.70	27
DABPML07M-1216	3/4"-14	1"-11	3/4"-14	41.00	40.50	41.00	16.50	16.50	16.50	33
DABPML07M-1612	1"-11	3/4"-14	1"-11	43.00	43.00	43.00	22.20	16.70	22.20	33
DABPML07M-1616	1"-11	1"-11	1"-11	45.00	50.00	45.00	22.20	22.20	22.20	33
DABPML07M-2020	1-1/4"-11	1-1/4"-11	1-1/4"-11	52.00	56.00	52.00	28.60	28.60	28.60	41
DABPML07M-2424	1-1/2"-11	1-1/2"-11	1-1/2"-11	59.00	67.00	59.00	33.30	33.30	33.30	48
DABPML07M-3232	2"-11	2"-11	2"-11	75.00	75.00	75.00	46.00	45.00	46.00	65



DABPML28M

Run Tee Connector BSPP Male 60° - NPTF Male 60°

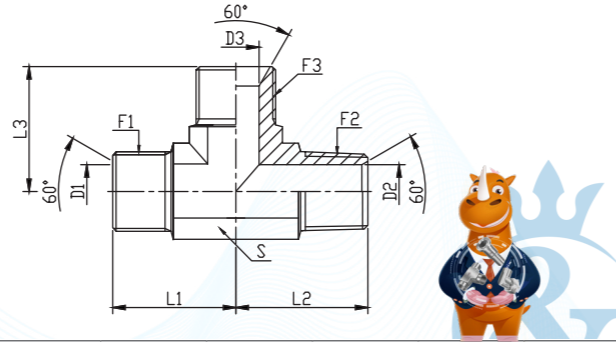
D	A	BP	M	L	28	M
Company	Product Range	Thread Types	Connection Type	Adaptor Structure	Thread Types	Connection Type
DME	Adaptor	BSPP	Male	Run Tee	NPTF	Male

German Technology Equipment

SHIELD FLEX

New-Standard

- DME&JDE Code: **DABPML28M**
- Product Type: **Hydraulic adaptor**
- Standard: **BSP**
- Structure: **Run Tee**
- Connection Type: **Male x Male x Male**
- Thread Types: **BSPP 60° x BSPP 60° x NPTF 60°**



PART NUMBER	F1 (Thread)	F2 (Thread)	F3 (Thread)	L1	L2	L3	D1	D2	D3	S
#	BSPP	NPTF	BSPP	mm	mm	mm	mm	mm	mm	mm
DABPML28M-0202	1/8"-28	1/8"-27	1/8"-28	18.50	18.50	18.50	3.50	4.78	3.50	11
DABPML28M-0402	1/4"-28	1/8"-27	1/4"-28	27.00	23.00	27.00	4.70	4.78	4.70	14
DABPML28M-0404	1/4"-19	1/4"-18	1/4"-19	27.00	27.70	27.00	4.70	7.14	4.70	14
DABPML28M-0606	3/8"-19	3/8"-18	3/8"-19	29.00	31.00	29.00	7.90	10.31	7.90	19
DABPML28M-0806	1/2"-14	3/8"-18	1/2"-14	34.00	33.00	34.00	11.10	10.31	11.10	22
DABPML28M-0808	1/2"-14	1/2"-14	1/2"-14	34.00	37.50	34.00	11.10	13.49	11.10	22
DABPML28M-1008	5/8"-14	1/2"-14	5/8"-14	38.00	40.00	38.00	14.30	13.49	14.30	27
DABPML28M-1212	3/4"-14	3/4"-14	3/4"-14	40.00	40.40	40.00	16.70	18.26	16.70	27
DABPML28M-1616	1"-11	1"-11-1/2	1"-11	45.00	50.00	45.00	22.20	23.83	22.20	33
DABPML28M-2020	1-1/4"-11	1-1/4"-11-1/2	1-1/4"-11	52.00	60.50	52.00	28.60	31.75	28.60	41
DABPML28M-2424	1-1/2"-11	1-1/2"-11-1/2	1-1/2"-11	59.00	67.10	59.00	33.30	38.10	33.30	48
DABPML28M-3232	2"-11	2"-11-1/2	2"-11	75.00	76.20	75.00	46.00	49.23	46.00	65

DABPFT07M

Branch Tee Connector BSPP Fixed Female - BSPT Male 60°

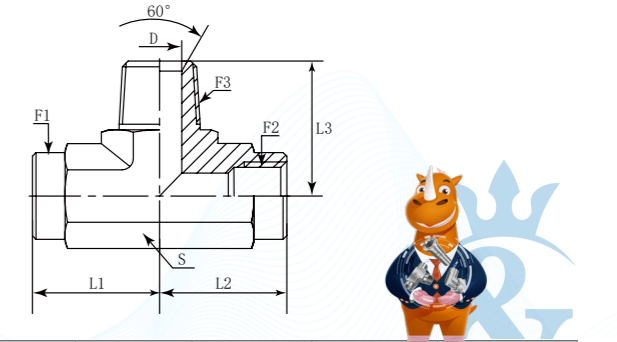
D	A	BP	F	T	07	M
Company	Product Range	Thread Types	Connection Type	Adaptor Structure	Thread Types	Connection Type
DME	Adaptor	BSPP	Female	Branch Tee	BSPT	Male

German Technology Equipment

SHIELD FLEX

New-Standard

- DME&JDE Code: **DABPFT07M**
- Product Type: **Hydraulic adaptor**
- Standard: **BSP**
- Structure: **Branch Tee**
- Connection Type: **Fixed Female x Fixed Female x Male**
- Thread Types: **BSPP 60° x BSPT 60° x BSPP 60°**



PART NUMBER	F1 (Thread)	F2 (Thread)	F3 (Thread)	L1	L2	L3	D	S
#	BSPP	BSPP	BSPT	mm	mm	mm	mm	mm
DABPFT07M-0202	1/8"-28	1/8"-28	1/8"-28	17.00	17.00	20.00	4.50	14
DABPFT07M-0404	1/4"-19	1/4"-19	1/4"-19	22.50	22.50	28.00	6.00	19
DABPFT07M-0606	3/8"-19	3/8"-19	3/8"-19	26.00	26.00	31.00	9.00	22
DABPFT07M-0808	1/2"-14	1/2"-14	1/2"-14	31.00	31.00	37.50	12.00	27
DABPFT07M-1212	3/4"-14	3/4"-14	3/4"-14	34.50	34.50	40.00	16.70	33
DABPFT07M-1616	1"-11	1"-11	1"-11	41.00	41.00	50.00	22.20	41
DABPFT07M-2020	1-1/4"-11	1-1/4"-11	1-1/4"-11	43.00	43.00	60.00	28.60	48
DABPFT07M-2424	1-1/2"-11	1-1/2"-11	1-1/2"-11	53.00	53.00	67.00	33.30	65
DABPFT07M-3232	2"-11	2"-11	2"-11	60.50	60.50	76.00	45.00	70

DABPFT28M

Branch Tee Connector BSPP Fixed Female - NPTF Male 60°

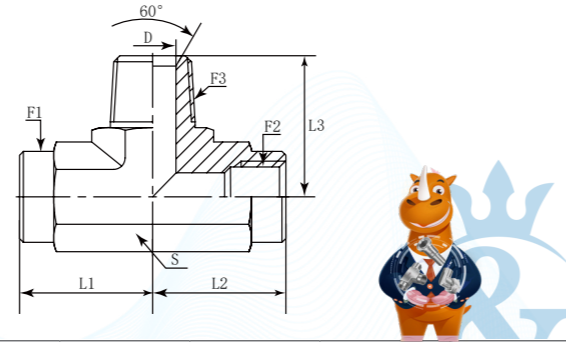
D	A	BP	F	T	28	M
Company	Product Range	Thread Types	Connection Type	Adaptor Structure	Thread Types	Connection Type
DME	Adaptor	BSPP	Female	Branch Tee	NPTF	Male

German Technology Equipment

SHIELD FLEX

New-Standard

- DME&JDE Code: **DABPFT28M**
- Product Type: **Hydraulic adaptor**
- Standard: **BSP**
- Structure: **Branch Tee**
- Connection Type: **Fixed Female × Fixed Female × Male**
- Thread Types: **BSPP 60° × BSPP 60° × NPTF 60°**



PART NUMBER	F1 (Thread)	F2 (Thread)	F3 (Thread)	L1	L2	L3	D	S
#	BSPP	BSPP	NPTF	mm	mm	mm	mm	mm
DABPFT28M-0202	1/8"-28	1/8"-28	1/8"-27	17.00	17.00	20.00	4.78	14
DABPFT28M-0404	1/4"-19	1/4"-19	1/4"-18	22.50	22.50	28.00	7.14	19
DABPFT28M-0606	3/8"-19	3/8"-19	3/8"-18	26.00	26.00	31.00	10.31	22
DABPFT28M-0808	1/2"-14	1/2"-14	1/2"-14	31.00	31.00	37.50	13.49	27
DABPFT28M-1212	3/4"-14	3/4"-14	3/4"-14	34.50	34.50	40.00	18.26	33
DABPFT28M-1616	1"-11	1"-11	1"-11-1/2	41.00	41.00	50.00	23.83	41
DABPFT28M-2020	1-1/4"-11	1-1/4"-11	1-1/4"-11-1/2	43.00	43.00	60.00	31.75	48
DABPFT28M-2424	1-1/2"-11	1-1/2"-11	1-1/2"-11-1/2	53.00	53.00	67.00	38.10	65
DABPFT28M-3232	2"-11	2"-11	2"-11-1/2	60.50	60.50	76.00	49.23	70

DABPFL07M

Run Tee Connector BSPP Fixed Female - BSPT Male 60°

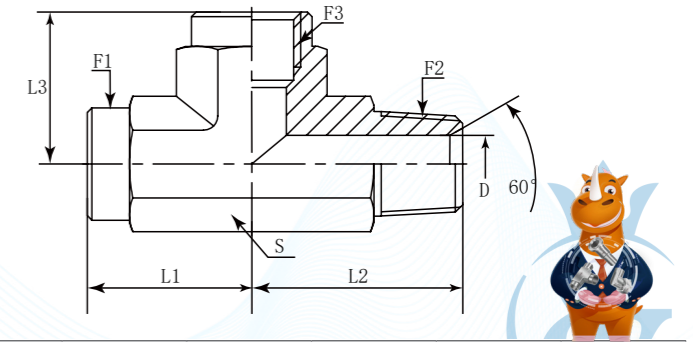
D	A	BP	F	L	07	M
Company	Product Range	Thread Types	Connection Type	Adaptor Structure	Thread Types	Connection Type
DME	Adaptor	BSPP	Female	Run Tee	BSPT	Male

German Technology Equipment

SHIELD FLEX

New-Standard

- DME&JDE Code: **DABPFL07M**
- Product Type: **Hydraulic adaptor**
- Standard: **BSP**
- Structure: **Run Tee**
- Connection Type: **Fixed Female × Fixed Female × Male**
- Thread Types: **BSPP 60° × BSPT 60° × BSPP 60°**



PART NUMBER	F1 (Thread)	F2 (Thread)	F3 (Thread)	L1	L2	L3	D	S
#	BSPP	BSPT	BSPP	mm	mm	mm	mm	mm
DABPFL07M-0202	1/8"-28	1/8"-28	1/8"-28	17.00	20.00	17.00	4.50	14
DABPFL07M-0404	1/4"-19	1/4"-19	1/4"-19	22.50	28.00	22.50	6.00	19
DABPFL07M-0606	3/8"-19	3/8"-19	3/8"-19	26.00	31.00	26.00	9.00	22
DABPFL07M-0808	1/2"-14	1/2"-14	1/2"-14	31.00	37.50	31.00	12.00	27
DABPFL07M-1212	3/4"-14	3/4"-14	3/4"-14	34.50	40.00	34.50	16.70	33
DABPFL07M-1616	1"-11	1"-11	1"-11	41.00	50.00	41.00	22.20	41
DABPFL07M-2020	1-1/4"-11	1-1/4"-11	1-1/4"-11	43.00	60.00	43.00	28.60	48
DABPFL07M-2424	1-1/2"-11	1-1/2"-11	1-1/2"-11	53.00	67.00	53.00	33.30	65
DABPFL07M-3232	2"-11	2"-11	2"-11	60.50	76.00	60.50	45.00	70

DABPFL28M

Run Tee Connector BSPP Fixed Female - NPTF Male 60°

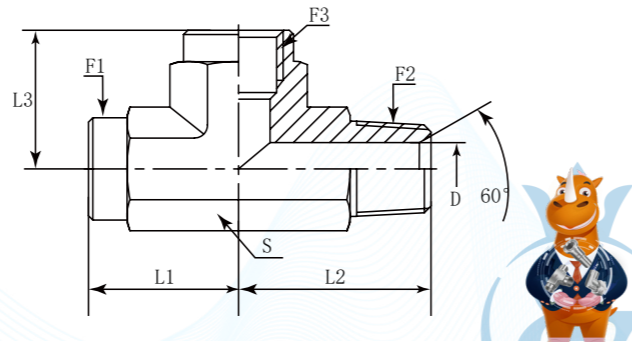
D	A	BP	F	L	28	M
Company	Product Range	Thread Types	Connection Type	Adaptor Structure	Thread Types	Connection Type
DME	Adaptor	BSPP	Female	Run Tee	NPTF	Male

German Technology Equipment

SHIELD FLEX

New-Standard

- DME&JDE Code: **DABPFL28M**
- Product Type: **Hydraulic adaptor**
- Standard: **BSP**
- Structure: **Run Tee**
- Connection Type: **Fixed Female × Fixed Female × Male**
- Thread Types: **BSPP 60° × NPTF 60° × BSPP 60°**



PART NUMBER	F1 (Thread)	F2 (Thread)	F3 (Thread)	L1	L2	L3	D	S
#	BSPP	NPTF	BSPP	mm	mm	mm	mm	mm
DABPFL28M-0202	1/8"-28	1/8"-27	1/8"-28	17.00	20.00	17.00	4.78	14
DABPFL28M-0404	1/4"-19	1/4"-18	1/4"-19	22.50	28.00	22.50	7.14	19
DABPFL28M-0606	3/8"-19	3/8"-18	3/8"-19	26.00	31.00	26.00	10.31	22
DABPFL28M-0808	1/2"-14	1/2"-14	1/2"-14	31.00	37.50	31.00	13.49	27
DABPFL28M-1212	3/4"-14	3/4"-14	3/4"-14	34.50	40.00	34.50	18.26	33
DABPFL28M-1616	1"-11	1"-11 1/2	1"-11	41.00	50.00	41.00	23.83	41
DABPFL28M-2020	1-1/4"-11	1-1/4"-11-1/2	1-1/4"-11	43.00	60.00	43.00	31.75	48
DABPFL28M-2424	1-1/2"-11	1-1/2"-11-1/2	1-1/2"-11	53.00	67.00	53.00	38.10	65
DABPFL28M-3232	2"-11	2"-11-1/2	2"-11	60.50	76.00	60.50	49.23	70

DABPFT05F

Equal Tee Connector BSPP Fixed Female – BSPP Fixed Female

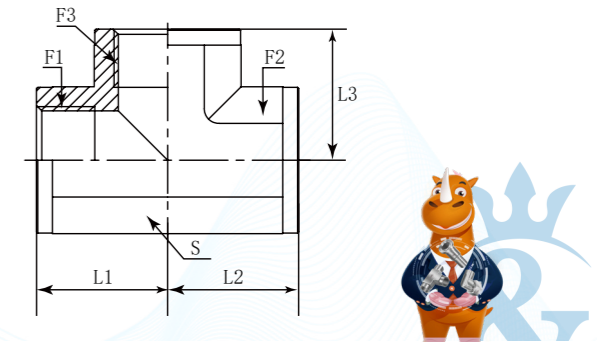
D	A	BP	F	T	05	F
Company	Product Range	Thread Types	Connection Type	Adaptor Structure	Thread Types	Connection Type
DME	Adaptor	BSPP	Female	Branch Tee	BSPP	Female

German Technology Equipment

SHIELD FLEX

New-Standard

- DME&JDE Code: **DABPFT05F**
- Product Type: **Hydraulic adaptor**
- Standard: **BSP**
- Structure: **Equal Tee**
- Connection Type: **Fixed Female × Fixed Female × Fixed Female**
- Thread Types: **BSPP × BSPP × BSPP**



PART NUMBER	F1 (Thread)	F2 (Thread)	F3 (Thread)	L1	L2	L3	S
#	BSPP	BSPP	BSPP	mm	mm	mm	mm
DABPFT05F-0202	1/8"-28	1/8"-28	1/8"-28	20.00	20.00	20.00	14
DABPFT05F-0404	1/4"-19	1/4"-19	1/4"-19	22.00	22.00	22.00	19
DABPFT05F-0606	3/8"-19	3/8"-19	3/8"-19	26.00	26.00	26.00	22
DABPFT05F-0808	1/2"-14	1/2"-14	1/2"-14	32.00	32.00	32.00	27
DABPFT05F-1010	5/8"-14	5/8"-14	5/8"-14	35.00	35.00	35.00	33
DABPFT05F-1212	3/4"-14	3/4"-14	3/4"-14	36.00	36.00	36.00	33
DABPFT05F-1616	1"-11	1"-11	1"-11	42.00	42.00	42.00	41
DABPFT05F-2020	1-1/4"-11	1-1/4"-11	1-1/4"-11	48.00	48.00	48.00	48
DABPFT05F-2424	1-1/2"-11	1-1/2"-11	1-1/2"-11	53.00	53.00	53.00	65
DABPFT05F-3232	2"-11	2"-11	2"-11	60.00	60.00	60.00	70

DABP1T081

Branch Tee BSPP Swivel Female 60° - BSPP Swivel Female 60°

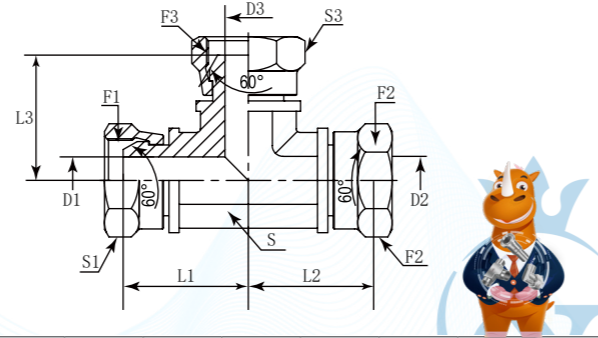
D	A	BP	1	T	081
Company	Product Range	Thread Types	Connection Type	Adaptor Structure	Thread Types
DME	Adaptor	BSPP	Male	90° Elbow	BSPT

German Technology Equipment

SHIELD FLEX

New-Standard

- DME&JDE Code: **DABP1T081**
- Product Type: **Hydraulic adaptor**
- Standard: **BSP**
- Structure: **Branch Tee**
- Connection Type: **Swivel Female x Swivel Female x Swivel Female**
- Thread Types: **BSPP 60° x BSPP 60° x BSPP 60°**



PART NUMBER	F1 (Thread)	F2 (Thread)	F3 (Thread)	L1	L2	L3	D1	D2	D3	S	S1	S2	S3
#	BSPP	BSPP	BSPP	mm	mm	mm	mm	mm	mm	mm	mm	mm	mm
DABP1T081-0202	1/8"-28	1/8"-28	1/8"-28	22.50	22.50	22.50	3.50	3.50	3.50	11	14	14	14
DABP1T081-0404	1/4"-19	1/4"-19	1/4"-19	24.50	24.50	24.50	4.70	4.70	4.70	14	19	19	19
DABP1T081-0606	3/8"-19	3/8"-19	3/8"-19	27.50	27.50	27.50	7.90	7.90	7.90	19	22	22	22
DABP1T081-0808	1/2"-14	1/2"-14	1/2"-14	31.50	31.50	31.50	11.10	11.10	11.10	22	27	27	27
DABP1T081-1010	5/8"-14	5/8"-14	5/8"-14	35.00	35.00	35.00	14.30	14.30	14.30	22	30	30	30
DABP1T081-1212	3/4"-14	3/4"-14	3/4"-14	41.50	41.50	41.50	16.70	16.70	16.70	27	32	32	32
DABP1T081-1616	1"-11	1"-11	1"-11	46.00	46.00	46.00	22.20	22.20	22.20	33	41	41	41
DABP1T081-2020	1-1/4"-11	1-1/4"-11	1-1/4"-11	51.20	51.20	51.20	28.60	28.60	28.60	41	50	50	50
DABP1T081-2424	1-1/2"-11	1-1/2"-11	1-1/2"-11	63.50	63.50	63.50	33.30	33.30	33.30	48	55	55	55
DABP1T081-3232	2"-11	2"-11	2"-11	65.00	65.00	65.00	45.00	45.00	45.00	63	70	70	70

DABPMT305

(1)Branch Adjustable Tee BSPP Male 60° - SAE Male + O Ring

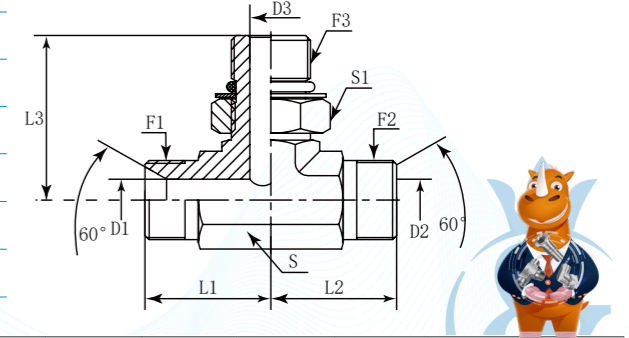
D	A	BP	M	T	30	5
Company	Product Range	Thread Types	Connection Type	Adaptor Structure	Thread Types	Connection Type
DME	Adaptor	BSPP	Male	Branch Tee	SAE UNF	Male + O Ring

German Technology Equipment

SHIELD FLEX

New-Standard

- DME&JDE Code: **DABPMT305**
- Product Type: **Hydraulic adaptor**
- Standard: **BSP**
- Structure: **Branch Tee**
- Connection Type: **Adjustable Male x Male x Male**
- Thread Types: **BSPP 60° x BSPP 60° x SAE UNF + O Ring**
- Thread Types: **O Ring**



PART NUMBER	F1 (Thread)	F2 (Thread)	F3 (Thread)	L1	L2	L3	D1	D2	D3	S	S1
#	BSPP	BSPP	UNF	mm	mm	mm	mm	mm	mm	mm	mm
DABPMT305-0204	1/8"-28	1/8"-28	7/16"-20	22.50	22.50	26.16	3.50	3.50	4.37	11	14.29
DABPMT305-0406	1/4"-28	1/4"-28	9/16"-18	27.00	27.00	31.80	4.70	4.70	7.54	14	17.46
DABPMT305-0608	3/8"-19	3/8"-19	3/4"-16	29.00	29.00	37.00	7.90	7.90	9.93	19	22.22
DABPMT305-0808	1/2"-14	1/2"-14	3/4"-16	34.00	34.00	39.10	11.10	11.10	9.93	22	22.22
DABPMT305-0810	1/2"-14	1/2"-14	7/8"-14	34.00	34.00	43.20	11.10	11.10	12.29	22	25.40
DABPMT305-1212	3/4"-14	3/4"-14	1-1/16"-12	42.00	42.00	49.30	16.70	16.70	15.47	27	31.75
DABPMT305-1616	1"-11	1"-11	1-5/16"-12	46.00	46.00	52.10	22.20	22.20	21.44	33	38.10



DABPMT06Q

Branch Adjustable Tee BSPP Male 60° - BSPP Male + O Ring

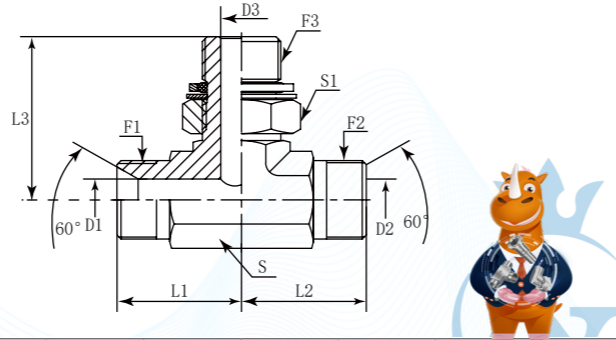
D	A	BP	M	T	06	Q
Company	Product Range	Thread Types	Connection Type	Adaptor Structure	Thread Types	Connection Type
DME	Adaptor	BSPP	Male	Branch Tee	BSPP	Male + O Ring

German Technology Equipment

SHIELD FLEX

New-Standard

- DME&JDE Code: **DABPMT06Q**
- Product Type: **Hydraulic adaptor**
- Standard: **BSP**
- Structure: **Branch Tee**
- Connection Type: **Adjustable Male x Male x Male**
- Thread Types: **BSPP 60° x BSPP 60° x BSPP**
- Sealing Method: **O Ring**



PART NUMBER	F1 (Thread)	F2 (Thread)	F3 (Thread)	L1	L2	L3	D1	D2	D3	S	S1
#	BSPP	BSPP	BSPP	mm	mm	mm	mm	mm	mm	mm	mm
DABPMT06Q-0202	1/8"-28	1/8"-28	1/8"-28	22.50	22.50	26.00	3.50	3.50	4.40	11	14
DABPMT06Q-0404	1/4"-19	1/4"-19	1/4"-19	27.00	27.00	31.50	4.70	4.70	7.50	14	19
DABPMT06Q-0604	3/8"-19	3/8"-19	1/4"-19	29.00	29.00	35.00	7.90	7.90	7.50	19	19
DABPMT06Q-0606	3/8"-19	3/8"-19	3/8"-19	29.00	29.00	37.00	7.90	7.90	9.00	19	22
DABPMT06Q-0806	1/2"-14	1/2"-14	3/8"-19	34.00	34.00	40.00	11.10	11.10	9.90	22	22
DABPMT06Q-0808	1/2"-14	1/2"-14	1/2"-14	34.00	34.00	43.00	11.10	11.10	12.30	22	27
DABPMT06Q-1208	3/4"-14	3/4"-14	1/2"-14	41.00	41.00	45.00	16.70	16.70	12.30	27	27
DABPMT06Q-1212	3/4"-14	3/4"-14	3/4"-14	41.00	41.00	50.00	16.70	16.70	15.50	27	36
DABPMT06Q-1612	1"-11	1"-11	3/4"-14	46.00	46.00	52.00	22.20	22.20	15.50	33	36
DABPMT06Q-1616	1"-11	1"-11	1"-11	47.00	47.00	54.00	22.20	22.20	21.50	33	41
DABPMT06Q-2016	1-1/4"-11	1-1/4"-11	1"-11	51.00	51.00	57.00	28.60	28.60	21.50	41	41
DABPMT06Q-2020	1-1/4"-11	1-1/4"-11	1-1/4"-11	51.00	51.00	58.00	28.60	28.60	27.50	41	50
DABPMT06Q-2424	1-1/2"-11	1-1/2"-11	1-1/2"-11	60.00	60.00	61.00	33.30	33.30	33.00	48	55
DABPMT06Q-3232	2"-11	2"-11	2"-11	75.00	75.00	75.00	46.00	46.00	45.00	63.50	70

DABPMT06S

Branch Adjustable Tee BSPP Male 60° - BSPP Male + O Ring

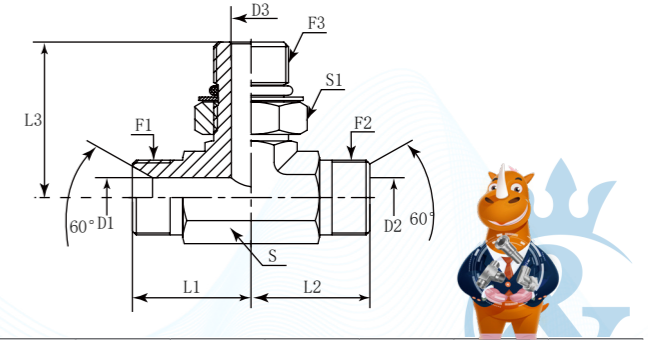
D	A	BP	M	T	06	S
Company	Product Range	Thread Types	Connection Type	Adaptor Structure	Thread Types	Connection Type
DME	Adaptor	BSPP	Male	Branch Tee	BSPP	Male + O Ring

German Technology Equipment

SHIELD FLEX

New-Standard

- DME&JDE Code: **DABPMT06S**
- Product Type: **Hydraulic adaptor**
- Standard: **BSP**
- Structure: **Branch Tee**
- Connection Type: **Adjustable Male x Male x Male**
- Thread Types: **BSPP 60° x BSPP 60° x BSPP**
- Sealing Method: **O Ring**



PART NUMBER	F1 (Thread)	F2 (Thread)	F3 (Thread)	L1	L2	L3	D1	D2	D3	S	S1
#	BSPP	BSPP	BSPP	mm	mm	mm	mm	mm	mm	mm	mm
DABPMT06S-0202	1/8"-28	1/8"-28	1/8"-28	22.50	22.50	26.00	3.50	3.50	4.40	11	14
DABPMT06S-0404	1/4"-19	1/4"-19	1/4"-19	27.00	27.00	31.50	4.70	4.70	7.50	14	19
DABPMT06S-0604	3/8"-19	3/8"-19	1/4"-19	29.00	29.00	35.00	7.90	7.90	7.50	19	19
DABPMT06S-0606	3/8"-19	3/8"-19	3/8"-19	29.00	29.00	37.00	7.90	7.90	9.00	19	22
DABPMT06S-0806	1/2"-14	1/2"-14	3/8"-19	34.00	34.00	40.00	11.10	11.10	9.90	22	22
DABPMT06S-0808	1/2"-14	1/2"-14	1/2"-14	34.00	34.00	43.00	11.10	11.10	12.30	22	27
DABPMT06S-1208	3/4"-14	3/4"-14	1/2"-14	41.00	41.00	45.00	16.70	16.70	12.30	27	27
DABPMT06S-1212	3/4"-14	3/4"-14	3/4"-14	41.00	41.00	50.00	16.70	16.70	15.50	27	36
DABPMT06S-1612	1"-11	1"-11	3/4"-14	46.00	46.00	52.00	22.20	22.20	15.50	33	36
DABPMT06S-1616	1"-11	1"-11	1"-11	47.00	47.00	54.00	22.20	22.20	21.50	33	41
DABPMT06S-2016	1-1/4"-11	1-1/4"-11	1"-11	51.00	51.00	57.00	28.60	28.60	21.50	41	41
DABPMT06S-2020	1-1/4"-11	1-1/4"-11	1-1/4"-11	51.00	51.00	58.00	28.60	28.60	27.50	41	50
DABPMT06S-2424	1-1/2"-11	1-1/2"-11	1-1/2"-11	60.00	60.00	61.00	33.30	33.30	33.00	48	55
DABPMT06S-3232	2"-11	2"-11	2"-11	75.00	75.00	75.00	46.00	46.00	45.00	63.50	70

DABPMT52Q

Branch Adjustable Tee BSPP Male 60° - Metric Male + O Ring

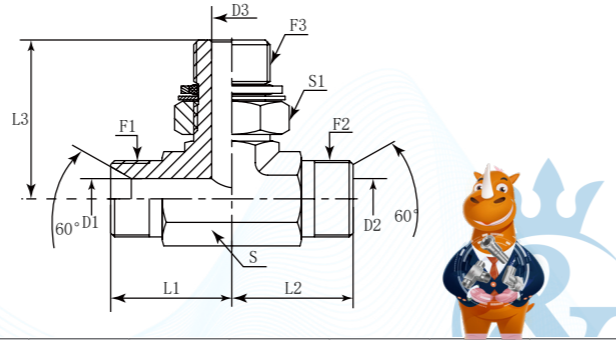
D	A	BP	M	T	52	Q
Company	Product Range	Thread Types	Connection Type	Adaptor Structure	Thread Types	Connection Type
DME	Adaptor	BSPP	Male	Branch Tee	Metric	Male + O Ring

German Technology Equipment

SHIELD FLEX

New-Standard

- DME&JDE Code: **DABPMT52Q**
- Product Type: **Hydraulic adaptor**
- Standard: **BSP**
- Structure: **Branch Tee**
- Connection Type: **Adjustable Male x Male x Male**
- Thread Types: **BSPP 60° x BSPP 60° x Metric**
- Sealing Method: **O Ring**



PART NUMBER	F1 (Thread)	F2 (Thread)	F2 (Thread)	L1	L2	L3	D1	D2	D3	S	S1
#	BSPP	BSPP	METRIC	mm	mm	mm	mm	mm	mm	mm	mm
DABPMT52Q-0210	1/8"-28	1/8"-28	M10X1	22.00	22.00	27.00	3.50	3.50	4.50	11	14
DABPMT52Q-0212	1/8"-28	1/8"-28	M12X1.5	24.00	24.00	31.50	3.50	3.50	6.00	14	17
DABPMT52Q-0412	1/4"-19	1/4"-19	M12X1.5	27.00	27.00	31.50	4.70	4.70	6.00	14	17
DABPMT52Q-0414	1/4"-19	1/4"-19	M14X1.5	27.00	27.00	31.50	4.70	4.70	7.50	14	19
DABPMT52Q-0416	1/4"-19	1/4"-19	M16X1.5	28.00	28.00	37.00	4.70	4.70	9.00	19	22
DABPMT52Q-0614	3/8"-19	3/8"-19	M14X1.5	29.00	29.00	34.00	7.90	7.90	7.50	14	19
DABPMT52Q-0616	3/8"-19	3/8"-19	M16X1.5	29.00	29.00	37.00	7.90	7.90	9.00	19	22
DABPMT52Q-0618	3/8"-19	3/8"-19	M18X1.5	29.00	29.00	38.00	7.90	7.90	11.00	19	24
DABPMT52Q-0816	1/2"-14	1/2"-14	M16X1.5	34.00	34.00	40.00	11.10	11.10	7.00	22	22
DABPMT52Q-0818	1/2"-14	1/2"-14	M18X1.5	34.00	34.00	41.00	11.10	11.10	11.00	22	24
DABPMT52Q-0820	1/2"-14	1/2"-14	M20X1.5	34.00	34.00	43.00	11.10	11.10	12.50	22	27
DABPMT52Q-0822	1/2"-14	1/2"-14	M22X1.5	34.00	34.00	43.00	11.10	11.10	14.00	22	27
DABPMT52Q-1022	5/8"-14	5/8"-14	M22X1.5	37.00	37.00	46.00	14.30	14.30	14.00	22	27
DABPMT52Q-1222	3/4"-14	3/4"-14	M22X1.5	41.00	41.00	46.00	16.70	16.70	14.00	27	27
DABPMT52Q-1226	3/4"-14	3/4"-14	M26X1.5	41.00	41.00	50.00	16.70	16.70	17.00	27	32
DABPMT52Q-1227	3/4"-14	3/4"-14	M27X2	41.00	41.00	50.00	16.70	16.70	18.00	27	32
DABPMT52Q-1627	1"-11	1"-11	M27X2	46.00	46.00	52.00	22.20	22.20	18.00	33	32
DABPMT52Q-1633	1"-11	1"-11	M33X2	46.00	46.00	53.00	22.20	22.20	23.00	33	41
DABPMT52Q-2042	1-1/4"-11	1-1/4"-11	M42X2	51.00	51.00	58.00	28.60	28.60	30.00	41	50
DABPMT52Q-2448	1-1/2"-11	1-1/2"-11	M48X2	59.00	59.00	67.00	33.30	33.30	36.00	48	55



DABPMT525

Branch Adjustable Tee BSPP Male 60° - Metric Male + O Ring

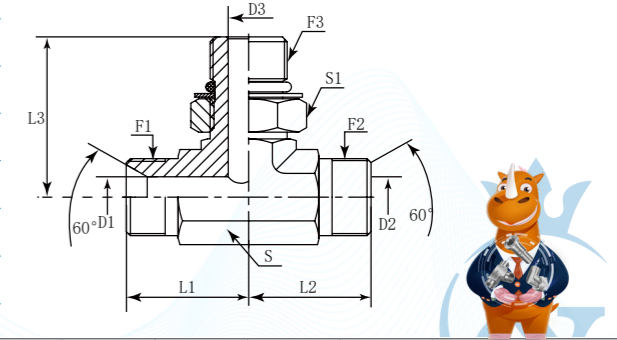
D	A	BP	M	T	52	5
Company	Product Range	Thread Types	Connection Type	Adaptor Structure	Thread Types	Connection Type
DME	Adaptor	BSPP	Male	Branch Tee	Metric	Male + O Ring

German Technology Equipment

SHIELD FLEX

New-Standard

- DME&JDE Code: **DABPMT525**
- Product Type: **Hydraulic adaptor**
- Standard: **BSP**
- Structure: **Branch Tee**
- Connection Type: **Adjustable Male x Male x Male**
- Thread Types: **BSPP 60° Cone x BSPP 60° Cone x Metric**
- Sealing Method: **O Ring**



PART NUMBER	F1 (Thread)	F2 (Thread)	F3 (Thread)	L1	L2	L3	D1	D2	D3	S	S1
#	BSPP	BSPP	METRIC	mm	mm	mm	mm	mm	mm	mm	mm
DABPMT525-0210	1/8"-28	1/8"-28	M10X1	22.00	22.00	27.00	3.50	3.50	4.50	11	14
DABPMT525-0212	1/8"-28	1/8"-28	M12X1.5	24.00	24.00	31.50	3.50	3.50	6.00	14	17
DABPMT525-0412	1/4"-19	1/4"-19	M12X1.5	27.00	27.00	31.50	4.70	4.70	6.00	14	17
DABPMT525-0414	1/4"-19	1/4"-19	M14X1.5	27.00	27.00	31.50	4.70	4.70	7.50	14	19
DABPMT525-0416	1/4"-19	1/4"-19	M16X1.5	28.00	28.00	37.00	4.70	4.70	9.00	19	22
DABPMT525-0614	3/8"-19	3/8"-19	M14X1.5	29.00	29.00	34.00	7.90	7.90	7.50	14	19
DABPMT525-0616	3/8"-19	3/8"-19	M16X1.5	29.00	29.00	37.00	7.90	7.90	9.00	19	22
DABPMT525-0618	3/8"-19	3/8"-19	M18X1.5	29.00	29.00	38.00	7.90	7.90	11.00	19	24
DABPMT525-0816	1/2"-14	1/2"-14	M16X1.5	34.00	34.00	40.00	11.10	11.10	7.00	22	22
DABPMT525-0818	1/2"-14	1/2"-14	M18X1.5	34.00	34.00	41.00	11.10	11.10	11.00	22	24
DABPMT525-0820	1/2"-14	1/2"-14	M20X1.5	34.00	34.00	43.00	11.10	11.10	12.50	22	27
DABPMT525-0822	1/2"-14	1/2"-14	M22X1.5	34.00	34.00	43.00	11.10	11.10	14.00	22	27
DABPMT525-1022	5/8"-14	5/8"-14	M22X1.5	37.00	37.00	46.00	14.30	14.30	14.00	22	27
DABPMT525-1222	3/4"-14	3/4"-14	M22X1.5	41.00	41.00	46.00	16.70	16.70	14.00	27	27
DABPMT525-1226	3/4"-14	3/4"-14	M26X1.5	41.00	41.00	50.00	16.70	16.70	17.00	27	32
DABPMT525-1227	3/4"-14	3/4"-14	M27X2	41.00	41.00	50.00	16.70	16.70	18.00	27	32
DABPMT525-1627	1"-11	1"-11	M27X2	46.00	46.00	52.00	22.20	22.20	18.00	33	32
DABPMT525-1633	1"-11	1"-11	M33X2	46.00	46.00	53.00	22.20	22.20	23.00	33	41
DABPMT525-2042	1-1/4"-11	1-1/4"-11	M42X2	51.00	51.00	58.00	28.60	28.60	30.00	41	50
DABPMT525-2448	1-1/2"-11	1-1/2"-11	M48X2	59.00	59.00	67.00	33.30	33.30	36.00	48	55



DABPMT05T

Branch Bulkhead Tee Connector BSPP Male 60° - BSPP Male 60°

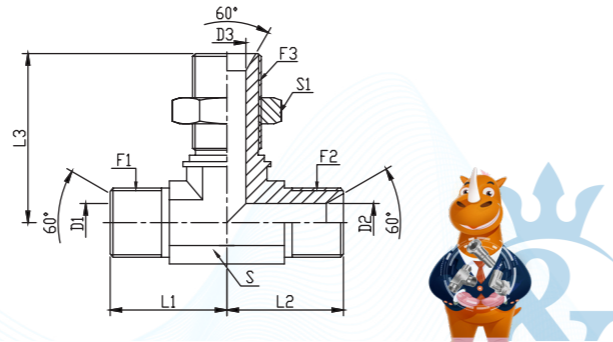
D	A	BP	M	T	05	T
Company	Product Range	Thread Types	Connection Type	Adaptor Structure	Thread Types	Connection Type
DME	Adaptor	BSPP	Male	Branch Tee	BSPP	Bulkhead

German Technology Equipment

SHIELD FLEX

New-Standard

- DME&JDE Code: **DABPMT05T**
- Product Type: **Hydraulic adaptor**
- Standard: **BSP**
- Structure: **Branch Tee**
- Connection Type: **Adjustable Male x Male x Male**
- Thread Types: **BSPP 60° x BSPP 60° x BSPP 60°**
- Other Features: **Bulkhead**



PART NUMBER	F1 (Thread)	F2 (Thread)	F3 (Thread)	L1	L2	L3	D1	D2	D3	S	S1
#	BSPP	BSPP	BSPP	mm	mm	mm	mm	mm	mm	mm	mm
DABPMT05T-0202	1/8"-28	1/8"-28	1/8"-28	20.00	20.00	37.00	3.50	3.50	3.50	11	14
DABPMT05T-0404	1/4"-19	1/4"-19	1/4"-19	26.00	26.00	44.00	4.70	4.70	4.70	14	19
DABPMT05T-0606	3/8"-19	3/8"-19	3/8"-19	30.00	30.00	49.00	7.90	7.90	7.90	19	22
DABPMT05T-0808	1/2"-14	1/2"-14	1/2"-14	34.00	34.00	55.00	11.10	11.10	11.10	22	27
DABPMT05T-1010	5/8"-14	5/8"-14	5/8"-14	38.00	38.00	59.00	14.30	14.30	14.30	22	32
DABPMT05T-1212	1/2"-14	1/2"-14	1/2"-14	42.00	42.00	63.00	16.70	16.70	16.70	27	32
DABPMT05T-1616	1"-11	1"-11	1"-11	47.00	47.00	69.00	22.20	22.20	22.20	33	41
DABPMT05T-2020	1-1/4"-11	1-1/4"-11	1-1/4"-11	52.00	52.00	77.00	28.60	28.60	28.60	41	50
DABPMT05T-2424	1-1/2"-11	1-1/2"-11	1-1/2"-11	60.00	60.00	87.00	33.30	33.30	33.30	48	55
DABPMT05T-3232	2"-11	2"-11	2"-11	64.00	64.00	97.00	46.00	46.00	46.00	65	70

DABPML181

Run Tee Connector BSPP Male 60° - BSPP Swivel Female 60°

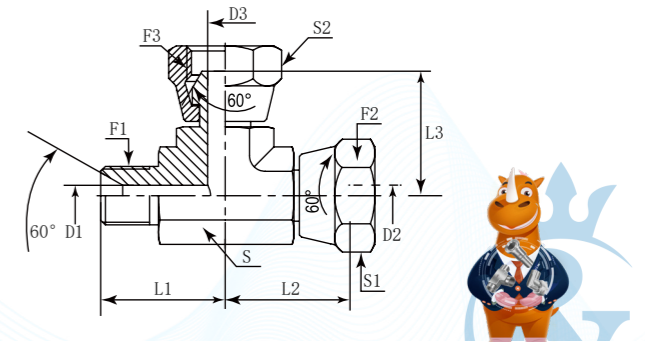
D	A	BP	M	L	1	81
Company	Product Range	Thread Types	Connection Type	Adaptor Structure	Connection Type	Connection Type
DME	Adaptor	BSPP	Male	Run Tee	Swivel Female	BSPP Swivel Female

German Technology Equipment

SHIELD FLEX

New-Standard

- DME&JDE Code: **DABPML181**
- Product Type: **Hydraulic adaptor**
- Standard: **BSP**
- Structure: **Branch Tee**
- Connection Type: **Male x Swivel Female x Swivel Female**
- Thread Types: **BSPP 60° x BSPP 60° x BSPP 60°**



PART NUMBER	F1 (Thread)	F2 (Thread)	F3 (Thread)	D1	D2	D3	L1	L2	L3	S	S1	S2
#	BSPP	BSPP	BSPP	mm	mm	mm	mm	mm	mm	mm	mm	mm
DABPML181-0202	1/8"-28	1/8"-28	1/8"-28	3.50	3.50	3.50	22.50	22.50	22.50	11	14	14
DABPML181-0404	1/4"-19	1/4"-19	1/4"-19	4.70	4.70	4.70	27.00	23.80	23.80	14	19	19
DABPML181-0606	3/8"-19	3/8"-19	3/8"-19	7.90	7.90	7.90	29.00	28.20	28.20	19	22	22
DABPML181-0808	1/2"-14	1/2"-14	1/2"-14	11.10	11.10	11.10	35.00	33.60	33.60	22	27	27
DABPML181-1010	5/8"-14	5/8"-14	5/8"-14	14.30	12.50	12.50	37.00	35.00	35.00	27	30	30
DABPML181-1212	3/4"-14	3/4"-14	3/4"-14	16.70	16.70	16.70	43.00	37.90	37.90	27	32	32
DABPML181-1616	1"-11	1"-11	1"-11	22.20	22.20	22.20	47.00	45.42	45.42	33	41	41
DABPML181-2020	1 1/4"-11	1-1/4"-11	1-1/4"-11	28.60	28.60	28.60	52.30	50.00	50.00	41	50	50

DABPML081

Run Tee Connector BSPP Male 60° - BSPP Swivel Female 60°

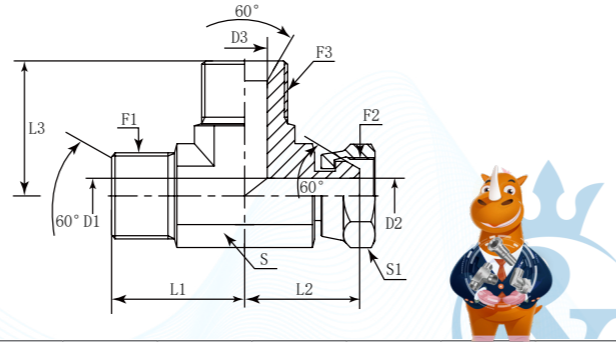
D	A	BP	M	L	081
Company	Product Range	Thread Types	Connection Type	Adaptor Structure	Thread Types
DME	Adaptor	BSPP	Male	Run Tee	BSPP Swivel Female

German Technology Equipment

SHIELD FLEX

New-Standard

- DME&JDE Code: **DABPML081**
- Product Type: **Hydraulic adaptor**
- Standard: **BSP**
- Structure: **Run Tee**
- Connection Type: **Male x Male x Swivel Female**
- Thread Types: **BSPP 60° x BSPP 60° x BSPP 60°**



PART NUMBER	F1 (Thread)	F2 (Thread)	F3 (Thread)	L1	L2	L3	D1	D2	D3	S	S1
#	BSPP	BSPP	BSPP	mm	mm	mm	mm	mm	mm	mm	mm
DABPML081-0202	1/8"-28	1/8"-28	1/8"-28	22.50	22.50	22.50	3.50	3.50	3.50	11	14
DABPML081-0404	1/4"-19	1/4"-19	1/4"-19	27.00	23.80	27.00	4.70	4.70	4.70	14	19
DABPML081-0606	3/8"-19	3/8"-19	3/8"-19	29.00	28.20	29.00	7.90	7.90	7.90	19	22
DABPML081-0808	1/2"-14	1/2"-14	1/2"-14	35.00	33.60	35.00	11.10	11.10	11.10	22	27
DABPML081-1010	5/8"-14	5/8"-14	5/8"-14	37.00	35.00	37.00	14.30	12.50	14.30	27	30
DABPML081-1212	3/4"-14	3/4"-14	3/4"-14	43.00	37.90	43.00	16.70	16.70	16.70	27	32
DABPML081-1616	1"-11	1"-11	1"-11	47.00	45.42	47.00	22.20	22.20	22.20	33	41
DABPML081-2020	1-1/4"-11	1-1/4"-11	1-1/4"-11	50.00	50.00	50.00	28.60	28.60	28.60	41	50
DABPML081-2424	1-1/2"-11	1-1/2"-11	1-1/2"-11	59.00	54.00	59.00	33.30	30.80	33.30	48	55
DABPML081-3232	2"-11	2"-11	2"-11	70.00	60.00	70.00	46.00	43.50	46.00	63	70

DABPML081-SQ

Run Tee Connector Square BSPP Male 60° - BSPP Swivel Female 60°

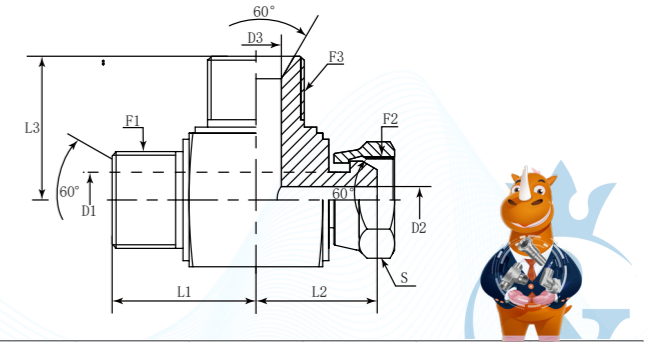
D	A	BP	M	L	081	SQ
Company	Product Range	Thread Types	Connection Type	Adaptor Structure	Connection Type	Body Type
DME	Adaptor	BSPP	Male	Run Tee	BSPP Swivel Female	Square

German Technology Equipment

SHIELD FLEX

New-Standard

- DME&JDE Code: **DABPML081-SQ**
- Product Type: **Hydraulic adaptor**
- Standard: **BSP**
- Structure: **Run Tee**
- Connection Type: **Male x Male x Swivel Female**
- Thread Types: **BSPP 60° x BSPP 60° x BSPP 60°**



PART NUMBER	F1 (Thread)	F2 (Thread)	F3 (Thread)	L1	L2	L3	D1	D2	D3
#	BSPP	BSPP	BSPP	mm	mm	mm	mm	mm	mm
DABPML081-0404SQ	1/4"-19	1/4"-19	1/4"-19	22.50	22.00	22.50	4.70	4.70	4.70
DABPML081-0606SQ	3/8"-19	3/8"-19	3/8"-19	25.00	24.50	25.00	7.90	7.90	7.90
DABPML081-0808SQ	1/2"-14	1/2"-14	1/2"-14	31.80	28.50	31.80	11.10	11.10	11.10
DABPML081-1212SQ	3/4"-14	3/4"-14	3/4"-14	35.00	34.00	35.00	16.70	16.70	16.70
DABPML081-1616SQ	1"-11	1"-11	1"-11	44.00	42.00	44.00	22.20	22.20	22.20
DABPML081-2020SQ	1-1/4"-11	1-1/4"-11	1-1/4"-11	50.00	48.00	50.00	28.60	28.60	28.60

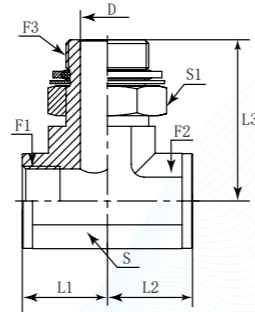
DABPFT06Q

Branch Adjustable Tee Connector BSPP Fixed Female - BSPP Male + O Ring

D	A	BP	F	T	06	0
Company	Product Range	Thread Types	Connection Type	Adaptor Structure	Thread Types	Connection Type
DME	Adaptor	BSPP	Female	Branch Tee	BSPP	Male + O Ring



- DME&JDE Code:** DABPFT06Q
- Product Type:** Hydraulic adaptor
- Standard:** BSP
- Structure:** Branch Tee
- Connection Type:** Adjustable Male x Male x Fixed Female
- Thread Types:** BSPP 60° Cone x BSPP 60° Cone x BSPP
- Sealing Method:** O Ring



PART NUMBER	F1 (Thread)	F2 (Thread)	F3 (Thread)	D	L1	L2	L3	S	S1
#	BSPP	BSPP	BSPP	mm	mm	mm	mm	mm	mm
DABPFT06Q-0202	1/8"-28	1/8"-28	1/8"-28	4.40	16.80	16.80	28.00	14	14
DABPFT06Q-0404	1/4"-19	1/4"-19	1/4"-19	7.50	26.50	26.50	37.00	22	19
DABPFT06Q-0606	3/8"-19	3/8"-19	3/8"-19	9.90	26.00	26.00	39.50	22	22
DABPFT06Q-0808	1/2"-14	1/2"-14	1/2"-14	12.30	32.00	32.00	45.50	27	27
DABPFT06Q-1212	3/4"-14	3/4"-14	3/4"-14	15.50	36.00	36.00	52.00	33	36
DABPFT06Q-1616	1"-11	1"-11	1"-11	21.50	42.00	42.00	57.00	41	41
DABPFT06Q-2020	1-1/4"-11	1-1/4"-11	1-1/4"-11	27.50	43.00	43.00	61.00	48	50
DABPFT06Q-2424	1-1/2"-11	1-1/2"-11	1-1/2"-11	33.00	53.00	53.00	75.00	65	55
DABPFT06Q-3232	2"-11	2"-11	2"-11	56.80	60.00	60.00	75.00	72	70

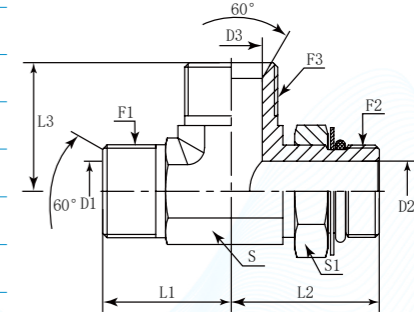
DABPML305

Run Adjustable Tee BSPP Male 60° - SAE Male + O Ring + Retaining Ring

D	A	BP	M	L	30	5
Company	Product Range	Thread Types	Connection Type	Adaptor Structure	Thread Types	Connection Type
DME	Adaptor	BSPP	Male	Run Tee	SAE UNF	Male + O Ring + Retaining Ring



- DME&JDE Code:** DABPML305
- Product Type:** Hydraulic adaptor
- Standard:** BSP
- Structure:** Run Tee
- Connection Type:** Adjustable Male x Male
- Thread Types:** BSPP 60° x SAE UNF x BSPP 60°
- Sealing Method:** O Ring + Retaining Ring



PART NUMBER	F1 (Thread)	F2 (Thread)	F3 (Thread)	L1	L2	L3	D1	D2	D3	S	S1
#	BSPP	UNF	BSPP	mm	mm	mm	mm	mm	mm	mm	mm
DABPML305-0204	1/8"-28	7/16"-20	1/8"-28	22.50	26.16	22.50	3.50	4.37	3.50	11	14.29
DABPML305-0406	1/4"-28	9/16"-18	1/4"-28	27.00	31.80	27.00	4.70	7.54	4.70	14	17.46
DABPML305-0608	3/8"-19	3/4"-16	3/8"-19	29.00	37.00	29.00	7.90	9.93	7.90	19	22.22
DABPML305-0810	1/2"-14	7/8"-14	1/2"-14	34.00	43.20	34.00	11.10	12.29	11.10	22	25.40
DABPML305-1210	3/4"-14	7/8"-14	3/4"-14	42.00	45.20	42.00	16.70	12.29	16.70	27	25.40
DABPML305-1212	3/4"-14	1-1/16"-12	3/4"-14	42.00	49.30	42.00	16.70	15.47	16.70	27	31.75
DABPML305-1616	1"-11	1-5/16"-12	1"-11	46.00	52.10	46.00	22.20	21.44	22.20	33	38.10



DABPML06Q

Run Adjustable Tee BSPP Male 60° - BSPP Male + O Ring + Retaining Ring

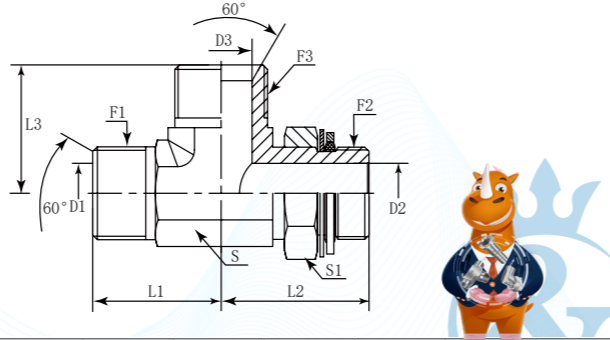
D	A	BP	M	L	06	0
Company	Product Range	Thread Types	Connection Type	Adaptor Structure	Thread Types	Connection Type
DME	Adaptor	BSPP	Male	Run Tee	BSPP	Male + O Ring + Retaining Ring

German Technology Equipment

SHIELD FLEX

New-Standard

- DME&JDE Code: **DABPML06Q**
- Product Type: **Hydraulic adaptor**
- Standard: **BSP**
- Structure: **Run Tee**
- Connection Type: **Adjustable Male x Male x Male**
- Thread Types: **BSPP 60° x BSPP x BSPP 60°**
- Sealing Method: **O Ring + Retaining Ring**



PART NUMBER	F1 (Thread)	F2 (Thread)	F3 (Thread)	L1	L2	L3	D1	D2	D3	S	S1
#	BSPP	BSPP	BSPP	mm	mm	mm	mm	mm	mm	mm	mm
DABPML06Q-0404	1/4"-19	1/4"-19	1/4"-19	27.00	31.50	27.00	4.70	7.50	4.70	14	19
DABPML06Q-0604	3/8"-19	1/4"-19	3/8"-19	29.00	34.00	29.00	7.90	7.50	7.90	19	19
DABPML06Q-0606	3/8"-19	3/8"-19	3/8"-19	29.00	37.00	29.00	7.90	9.90	7.90	19	22
DABPML06Q-0806	1/2"-14	3/8"-19	1/2"-14	34.00	40.00	34.00	11.10	9.90	11.10	22	22
DABPML06Q-0808	1/2"-14	1/2"-14	1/2"-14	34.00	43.00	34.00	11.10	12.30	11.10	22	27
DABPML06Q-1208	3/4"-14	1/2"-14	3/4"-14	41.00	45.50	41.00	16.70	12.30	16.70	27	27
DABPML06Q-1212	3/4"-14	3/4"-14	3/4"-14	41.00	50.00	41.00	16.70	15.50	16.70	27	36
DABPML06Q-1612	1"-11	3/4"-14	1"-11	46.00	52.00	46.00	22.20	15.50	22.20	33	36
DABPML06Q-1616	1"-11	1"-11	1"-11	46.00	53.00	46.00	22.20	21.50	22.20	33	41
DABPML06Q-2020	1-1/4"-11	1-1/4"-11	1-1/4"-11	51.00	58.00	51.00	28.60	27.50	28.60	41	50
DABPML06Q-2424	1-1/2"-11	1-1/2"-11	1-1/2"-11	60.00	61.00	60.00	33.30	33.00	33.30	48	55
DABPML06Q-3232	2"-11	2"-11	2"-11	75.00	75.00	75.00	46.00	45.00	46.00	63.50	70

DABTML06Q

Run Adjustable Tee BSPT Male 60° - BSPP Male + O Ring + Retaining Ring

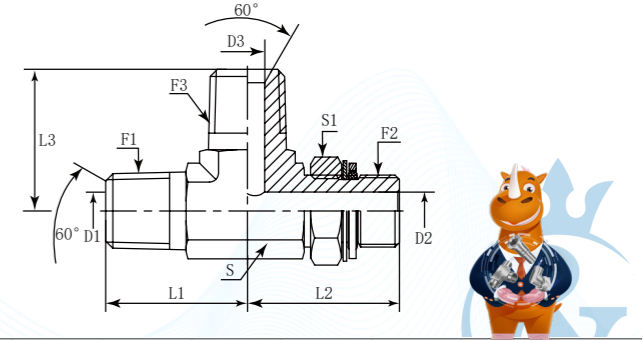
D	A	BP	M	L	06	M
Company	Product Range	Thread Types	Connection Type	Adaptor Structure	Thread Types	Connection Type
DME	Adaptor	BSPT	Male	Run Tee	BSPP	Male + O Ring + Retaining Ring

German Technology Equipment

SHIELD FLEX

New-Standard

- DME&JDE Code: **DABTML06Q**
- Product Type: **Hydraulic adaptor**
- Standard: **BSP**
- Structure: **Run Tee**
- Connection Type: **Adjustable Male x Male x Male**
- Thread Types: **BSPT 60° x BSPP x BSPT 60°**
- Sealing Method: **O Ring + Retaining Ring**



PART NUMBER	F1 (Thread)	F2 (Thread)	F3 (Thread)	D1	D2	D3	L1	L2	L3	S	S1
#	BSPT	BSPP	BSPT	mm	mm	mm	mm	mm	mm	mm	mm
DABTML06Q-0404	1/4"-19	1/4"-19	1/4"-19	6.00	7.50	6.00	27.70	31.50	27.70	14	19
DABTML06Q-0606	3/8"-19	3/8"-19	3/8"-19	9.00	9.90	9.00	31.00	36.50	31.00	19	22
DABTML06Q-0808	1/2"-14	1/2"-14	1/2"-14	12.00	12.30	12.00	37.50	43.00	37.50	22	27
DABTML06Q-1010	5/8"-14	5/8"-14	5/8"-14	14.00	14.00	14.00	46.00	39.00	46.00	27	30
DABTML06Q-1212	3/4"-14	3/4"-14	3/4"-14	16.70	15.50	16.70	40.40	49.00	40.40	27	36
DABTML06Q-1616	1"-11	1"-11	1"-11	22.20	21.50	22.20	50.00	52.00	50.00	33	41
DABTML06Q-2020	1-1/4"-11	1-1/4"-11	1-1/4"-11	28.60	27.50	28.60	60.50	58.00	60.50	41	50
DABTML06Q-2424	1-1/2"-11	1-1/2"-11	1-1/2"-11	33.30	33.00	33.30	67.10	62.00	67.10	48	55



DABPML065

Run Adjustable Tee BSPP Male 60° - BSPP Male + O Ring

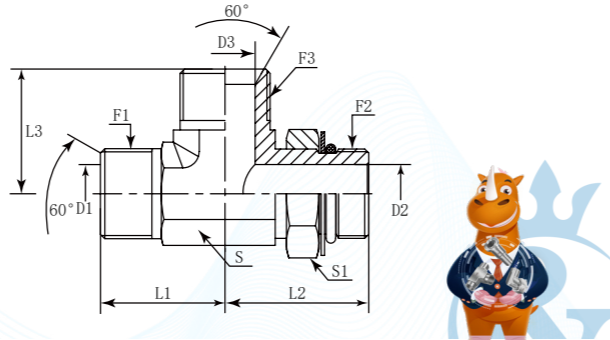
D	A	BP	M	L	06	5
Company	Product Range	Thread Types	Connection Type	Adaptor Structure	Thread Types	Connection Type
DME	Adaptor	BSPP	Male	Run Tee	BSPP	Male + O Ring

German Technology Equipment

SHIELD FLEX

New-Standard

- DME&JDE Code: **DABPML065**
- Product Type: **Hydraulic adaptor**
- Standard: **BSP**
- Structure: **Run Tee**
- Connection Type: **Adjustable Male x Male x Male**
- Thread Types: **BSPP 60° x BSPP x BSPP 60°**
- Sealing Method: **O Ring**



PART NUMBER	F1 (Thread)	F2 (Thread)	F3 (Thread)	L1	L2	L3	D1	D2	D3	S	S1
#	BSPP	BSPP	BSPP	mm	mm	mm	mm	mm	mm	mm	mm
DABPML065-0202	1/8"-28	1/8"-28	1/8"-28	22.00	26.00	22.00	3.50	4.40	3.50	11	14
DABPML065-0204	1/8"-28	1/4"-19	1/8"-28	24.00	31.50	24.00	3.50	7.50	3.50	14	19
DABPML065-0402	1/4"-19	1/8"-28	1/4"-19	27.00	28.00	27.00	4.70	4.40	4.70	14	14
DABPML065-0404	1/4"-19	1/4"-19	1/4"-19	27.00	31.50	27.00	4.70	7.50	4.70	14	19
DABPML065-0406	1/4"-19	3/8"-19	1/4"-19	27.00	37.00	27.00	4.70	9.90	4.70	19	22
DABPML065-0604	3/8"-19	1/4"-19	3/8"-19	29.00	35.00	29.00	7.90	7.50	7.90	19	19
DABPML065-0606	3/8"-19	3/8"-19	3/8"-19	29.00	37.00	29.00	7.90	9.90	7.90	19	22
DABPML065-0608	3/8"-19	1/2"-14	3/8"-19	32.00	43.00	32.00	7.90	12.30	7.90	22	27
DABPML065-0806	1/2"-14	3/8"-19	1/2"-14	34.00	40.00	34.00	11.10	9.90	11.10	22	22
DABTML06Q-0808	1/2"-14	1/2"-14	1/2"-14	37.50	43.00	37.50	12.00	12.30	12.00	22	27
DABTML06Q-1212	3/4"-14	3/4"-14	3/4"-14	40.40	49.00	40.40	16.70	15.50	16.70	27	36
DABTML06Q-1616	1"-11	1"-11	1"-11	50.00	52.00	50.00	22.20	21.50	22.20	33	41

DABPML52Q

Run Adjustable Tee BSPP Male 60° - Metric Male + O Ring + Retaining Ring

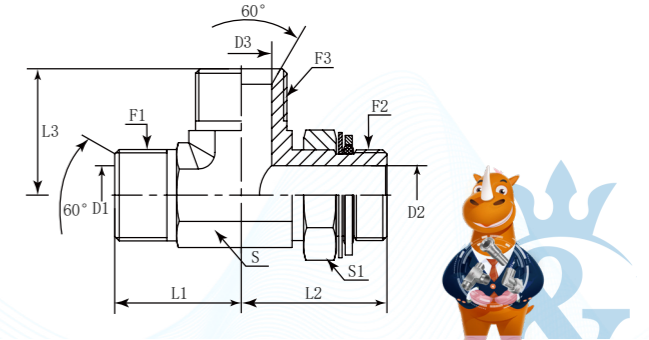
D	A	BP	M	L	52	0
Company	Product Range	Thread Types	Connection Type	Adaptor Structure	Thread Types	Connection Type
DME	Adaptor	BSPP	Male	Run Tee	Metric	Male + O Ring + Retaining Ring

German Technology Equipment

SHIELD FLEX

New-Standard

- DME&JDE Code: **DABPML52Q**
- Product Type: **Hydraulic adaptor**
- Standard: **BSP**
- Structure: **Run Tee**
- Connection Type: **Adjustable Male x Male x Male**
- Thread Types: **BSPP 60° x Metric x BSPP 60°**
- Sealing Method: **O Ring + Retaining Ring**



PART NUMBER	F1 (Thread)	F2 (Thread)	F3 (Thread)	L1	L2	L3	D1	D2	D3	S	S1
#	BSPP	METRIC	BSPP	mm	mm	mm	mm	mm	mm	mm	mm
DABPML52Q-0210	1/8"-28	M10X1	1/8"-28	22.00	27.00	22.00	3.50	4.50	3.50	11	14
DABPML52Q-0212	1/8"-28	M12X1.5	1/8"-28	24.00	31.50	24.00	3.50	6.00	3.50	14	17
DABPML52Q-0412	1/4"-19	M12X1.5	1/4"-19	27.00	31.50	27.00	4.70	6.00	4.70	14	17
DABPML52Q-0414	1/4"-19	M14X1.5	1/4"-19	27.00	31.50	27.00	4.70	7.50	4.70	14	19
DABPML52Q-0416	1/4"-19	M16X1.5	1/4"-19	28.00	37.00	28.00	4.70	9.00	4.70	19	22
DABPML52Q-0614	3/8"-19	M14X1.5	3/8"-19	29.00	34.00	29.00	7.90	7.50	7.90	14	19
DABPML52Q-0616	3/8"-19	M16X1.5	3/8"-19	29.00	37.00	29.00	7.90	9.00	7.90	19	22
DABPML52Q-0618	3/8"-19	M18X1.5	3/8"-19	29.00	38.00	29.00	7.90	11.00	7.90	19	24
DABPML52Q-0816	1/2"-14	M16X1.5	1/2"-14	34.00	40.00	34.00	11.10	7.00	11.10	22	22
DABPML52Q-0818	1/2"-14	M18X1.5	1/2"-14	34.00	41.00	34.00	11.10	11.00	11.10	22	24
DABPML52Q-0820	1/2"-14	M20X1.5	1/2"-14	34.00	43.00	34.00	11.10	12.50	11.10	22	27
DABPML52Q-0822	1/2"-14	M22X1.5	1/2"-14	34.00	43.00	34.00	11.10	14.00	11.10	22	27
DABPML52Q-1022	5/8"-14	M22X1.5	5/8"-14	37.00	46.00	37.00	14.30	14.00	14.30	22	27
DABPML52Q-1222	3/4"-14	M22X1.5	3/4"-14	41.00	46.00	41.00	16.70	14.00	16.70	27	27
DABPML52Q-1226	3/4"-14	M26X1.5	3/4"-14	41.00	50.00	41.00	16.70	17.00	16.70	27	32
DABPML52Q-1227	3/4"-14	M27X2	3/4"-14	41.00	50.00	41.00	16.70	18.00	16.70	27	32
DABPML52Q-1627	1"-11	M27X2	1"-11	46.00	52.00	46.00	22.20	18.00	22.20	33	32
DABPML52Q-1633	1"-11	M33X2	1"-11	46.00	53.00	46.00	22.20	23.00	22.20	33	41
DABPML52Q-2042	1-1/4"-11	M42X2	1-1/4"-11	51.00	58.00	51.00	28.60	30.00	28.60	41	50
DABPML52Q-2448	1-1/2"-11	M48X2	1-1/2"-11	59.00	67.00	59.00	33.30	36.00	33.30	48	55



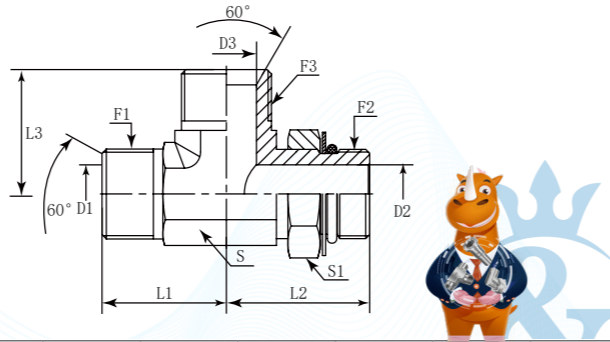
DABPML525

Run Adjustable Tee BSPP Male 60° - Metric Male + O Ring

D	A	BP	M	L	52	5
Company	Product Range	Thread Types	Connection Type	Adaptor Structure	Thread Types	Connection Type
DME	Adaptor	BSPP	Male	Run Tee	Metric	Male + O Ring



- DME&JDE Code:** DABPML525
- Product Type:** Hydraulic adaptor
- Standard:** BSP
- Structure:** Run Tee
- Connection Type:** Adjustable Male x Male x Male
- Thread Types:** BSPP 60° x Metric x BSPP 60°
- Sealing Method:** O Ring



PART NUMBER	F1 (Thread)	F2 (Thread)	F3 (Thread)	L1	L2	L3	D1	D2	D3	S	S1
#	BSPP	METRIC	BSPP	mm	mm	mm	mm	mm	mm	mm	mm
DABPML525-0210	1/8"-28	M10X1	1/8"-28	22.00	27.00	22.00	3.50	4.50	3.50	11	14
DABPML525-0212	1/8"-28	M12X1.5	1/8"-28	24.00	31.50	24.00	3.50	6.00	3.50	14	17
DABPML525-0412	1/4"-19	M12X1.5	1/4"-19	27.00	31.50	27.00	4.70	6.00	4.70	14	17
DABPML525-0414	1/4"-19	M14X1.5	1/4"-19	27.00	31.50	27.00	4.70	7.50	4.70	14	19
DABPML525-0416	1/4"-19	M16X1.5	1/4"-19	28.00	37.00	28.00	4.70	9.00	4.70	19	22
DABPML525-0614	3/8"-19	M14X1.5	3/8"-19	29.00	34.00	29.00	7.90	7.50	7.90	14	19
DABPML525-0616	3/8"-19	M16X1.5	3/8"-19	29.00	37.00	29.00	7.90	9.00	7.90	19	22
DABPML525-0618	3/8"-19	M18X1.5	3/8"-19	29.00	38.00	29.00	7.90	11.00	7.90	19	24
DABPML525-0816	1/2"-14	M16X1.5	1/2"-14	34.00	40.00	34.00	11.10	7.00	11.10	22	22
DABPML525-0818	1/2"-14	M18X1.5	1/2"-14	34.00	41.00	34.00	11.10	11.00	11.10	22	24
DABPML525-0820	1/2"-14	M20X1.5	1/2"-14	34.00	43.00	34.00	11.10	12.50	11.10	22	27
DABPML525-0822	1/2"-14	M22X1.5	1/2"-14	34.00	43.00	34.00	11.10	14.00	11.10	22	27
DABPML525-1022	5/8"-14	M22X1.5	5/8"-14	37.00	46.00	37.00	14.30	14.00	14.30	22	27
DABPML525-1222	3/4"-14	M22X1.5	3/4"-14	41.00	46.00	41.00	16.70	14.00	16.70	27	27
DABPML525-1226	3/4"-14	M26X1.5	3/4"-14	41.00	50.00	41.00	16.70	17.00	16.70	27	32
DABPML525-1227	3/4"-14	M27X2	3/4"-14	41.00	50.00	41.00	16.70	18.00	16.70	27	32
DABPML525-1627	1"-11	M27X2	1"-11	46.00	52.00	46.00	22.20	18.00	22.20	33	32
DABPML525-1633	1"-11	M33X2	1"-11	46.00	53.00	46.00	22.20	23.00	22.20	33	41
DABPML525-2042	1-1/4"-11	M42X2	1-1/4"-11	51.00	58.00	51.00	28.60	30.00	28.60	41	50
DABPML525-2448	1-1/2"-11	M48X2	1-1/2"-11	59.00	67.00	59.00	33.30	36.00	33.30	48	55

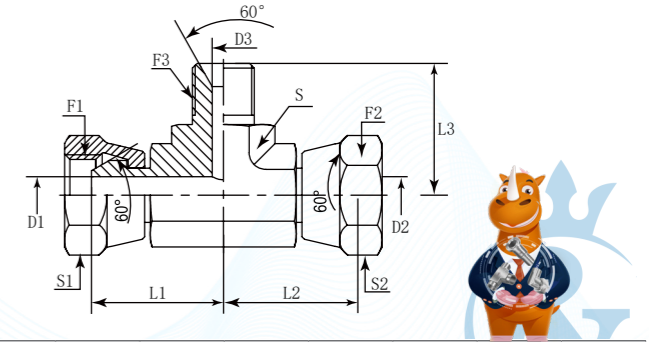
DABPMT181

Branch Tee Connector BSPP Swivel Female 60° - BSPP Swivel Female 60° - BSPP Male 60°

D	A	BP	M	T	1	81
Company	Product Range	Thread Types	Connection Type	Adaptor Structure	Connection Type	Connection Type
DME	Adaptor	BSPP	Male	Branch Tee	Swivel Female	BSPP Swivel Female



- DME&JDE Code:** DABPMT181
- Product Type:** Hydraulic adaptor
- Standard:** BSP
- Structure:** Branch Tee
- Connection Type:** Swivel Female x Swivel Female x Male
- Thread Types:** BSPP 60° x BSPP 60° x BSPP 60°



PART NUMBER	F1 (Thread)	F2 (Thread)	F3 (Thread)	D1	D2	D3	L1	L2	L3	S	S1	S2
#	BSPP	BSPP	BSPP	mm	mm	mm	mm	mm	mm	mm	mm	mm
DABPMT181-0202	1/8"-28	1/8"-28	1/8"-28	3.50	3.50	3.50	22.50	22.50	22.50	11	14	14
DABPMT181-0404	1/4"-19	1/4"-19	1/4"-19	4.70	4.70	4.70	24.00	24.00	27.00	14	19	19
DABPMT181-0606	3/8"-19	3/8"-19	3/8"-19	7.90	7.90	7.90	28.20	28.20	29.00	19	22	22
DABPMT181-0808	1/2"-14	1/2"-14	1/2"-14	11.10	11.10	11.10	33.60	33.60	35.00	22	27	27
DABPMT181-1010	5/8"-14	5/8"-14	5/8"-14	14.30	14.30	14.30	35.00	35.00	37.00	27	30	30
DABPMT181-1212	3/4"-14	3/4"-14	3/4"-14	16.70	16.70	16.70	37.90	37.90	43.00	27	32	32
DABPMT181-1616	1"-11	1"-11	1"-11	22.20	22.20	22.20	45.40	45.40	47.00	33	41	41
DABPMT181-2020	1-1/4"-11	1-1/4"-11	1-1/4"-11	26.00	26.00	26.00	50.00	50.00	52.30	41	50	50

DABPML05T

Run Bulkhead Tee BSPP Male 60° - BSPP Male 60°

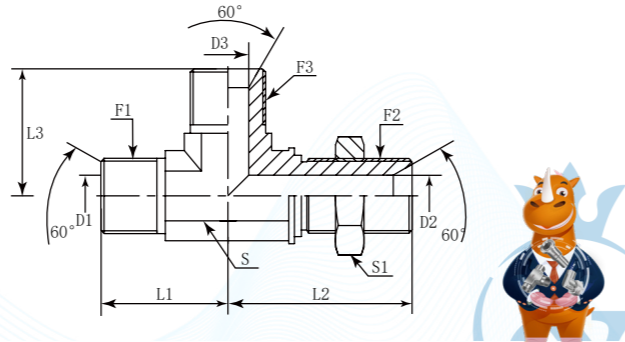
D	A	BP	M	L	05	T
Company	Product Range	Thread Types	Connection Type	Adaptor Structure	Thread Types	Connection Type
DME	Adaptor	BSPP	Male	Run Tee	BSPP	Bulkhead Male

German Technology Equipment

SHIELD FLEX

New-Standard

- DME&JDE Code: **DABPML05T**
- Product Type: **Hydraulic adaptor**
- Standard: **BSP**
- Structure: **Run Tee**
- Connection Type: **Male x Male x Male**
- Thread Types: **BSPP 60° x BSPP 60° x BSPP 60°**
- Other Features: **Bulkhead**



PART NUMBER	F1 (Thread)	F2 (Thread)	F3 (Thread)	L1	L2	L3	D1	D2	D3	S	S1
#	BSPP	BSPP	BSPP	mm	mm	mm	mm	mm	mm	mm	mm
DABPML05T-0202	1/8"-28	1/8"-28	1/8"-28	20.00	37.00	20.00	3.50	3.50	3.50	11	14
DABPML05T-0404	1/4"-19	1/4"-19	1/4"-19	26.00	44.00	26.00	4.70	4.70	4.70	14	19
DABPML05T-0606	3/8"-19	3/8"-19	3/8"-19	30.00	49.00	30.00	7.90	7.90	7.90	19	22
DABPML05T-0808	1/2"-14	1/2"-14	1/2"-14	34.00	55.00	34.00	11.10	11.10	11.10	22	27
DABPML05T-1010	5/8"-14	5/8"-14	5/8"-14	38.00	59.00	38.00	14.30	14.30	14.30	22	32
DABPML05T-1212	1/2"-14	1/2"-14	1/2"-14	42.00	63.00	42.00	16.70	16.70	16.70	27	32
DABPML05T-1616	1"-11	1"-11	1"-11	47.00	69.00	47.00	22.20	22.20	22.20	33	41
DABPML05T-2020	1-1/4"-11	1-1/4"-11	1-1/4"-11	52.00	77.00	52.00	28.60	28.60	28.60	41	50
DABPML05T-2424	1-1/2"-11	1-1/2"-11	1-1/2"-11	60.00	87.00	60.00	33.30	33.30	33.30	48	55
DABPML05T-3232	2"-11	2"-11	2"-11	64.00	97.00	64.00	46.00	46.00	46.00	65	70

DABTMT07M

Branch Tee Connector BSPT Male 60° - BSPT Male 60°

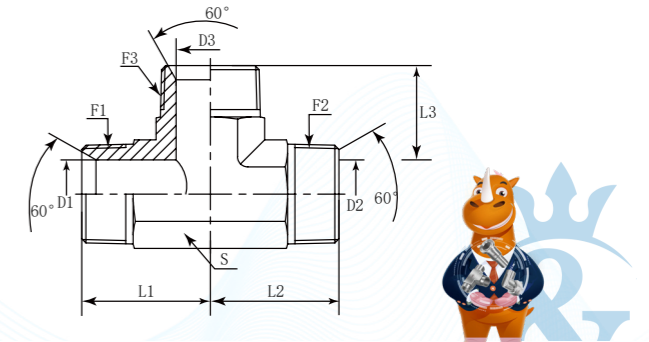
D	A	BT	M	T	07	M
Company	Product Range	Thread Types	Connection Type	Adaptor Structure	Thread Types	Connection Type
DME	Adaptor	BSPT	Male	Branch Tee	BSPT	Male

German Technology Equipment

SHIELD FLEX

New-Standard

- DME&JDE Code: **DABTMT07M**
- Product Type: **Hydraulic adaptor**
- Standard: **BSP**
- Structure: **Branch Tee**
- Connection Type: **Male x Male x Male**
- Thread Types: **BSPT 60° x BSPT 60° x BSPT 60°**



PART NUMBER	F1 (Thread)	F2 (Thread)	F3 (Thread)	D1	D2	D3	L1	L2	L3	S
#	BSPT	BSPT	BSPT	mm	mm	mm	mm	mm	mm	mm
DABTMT07M-0202	1/8"-28	1/8"-28	1/8"-28	4.50	4.50	4.50	21.00	21.00	21.00	11
DABTMT07M-0404	1/4"-19	1/4"-19	1/4"-19	6.00	6.00	6.00	25.50	25.50	25.50	14
DABTMT07M-0606	3/8"-19	3/8"-19	3/8"-19	9.00	9.00	9.00	28.50	28.50	28.50	19
DABTMT07M-0808	1/2"-14	1/2"-14	1/2"-14	12.00	12.00	12.00	36.00	36.00	36.00	22
DABTMT07M-1212	3/4"-14	3/4"-14	3/4"-14	16.70	16.70	16.70	40.00	40.00	40.00	27
DABTMT07M-1616	1"-11	1"-11	1"-11	22.20	22.20	22.20	50.00	50.00	50.00	33
DABTMT07M-2020	1-1/4"-11	1-1/4"-11	1-1/4"-11	28.60	28.60	28.60	57.50	57.50	57.50	41
DABTMT07M-2424	1-1/2"-11	1-1/2"-11	1-1/2"-11	33.30	33.30	33.30	59.20	59.20	59.20	47.63
DABTMT07M-3232	2"-11	2"-11	2"-11	46.00	46.00	46.00	75.00	75.00	75.00	63



DABTFT07F

Tee Connector BSPT Fixed Female - BSPT Fixed Female

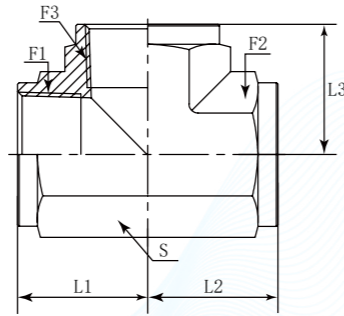
D	A	BT	F	T	07	F
Company	Product Range	Thread Types	Connection Type	Adaptor Structure	Thread Types	Connection Type
DME	Adaptor	BSPT	Female	Tee	BSPT	Female

German Technology Equipment

SHIELD FLEX

New-Standard

- DME&JDE Code: **DABTFT07F**
- Product Type: **Hydraulic adaptor**
- Adaptor Standard: **BSP**
- Adaptor structure: **Tee**
- Adaptor Connection Type: **Fixed Female x Fixed Female**
- Thread Types: **BSPT x BSPT**



PART NUMBER	F1 (Thread)	F2 (Thread)	F3 (Thread)	L1	L2	L3	S
#	BSPT	BSPT	BSPT	mm	mm	mm	mm
DABTFT07F-0202	1/8"-28	1/8"-28	1/8"-28	20.00	20.00	20.00	14
DABTFT07F-0404	1/4"-19	1/4"-19	1/4"-19	22.50	22.50	22.50	19
DABTFT07F-0606	3/8"-19	3/8"-19	3/8"-19	26.00	26.00	26.00	22
DABTFT07F-0808	1/2"-14	1/2"-14	1/2"-14	31.20	31.20	31.20	27
DABTFT07F-1212	3/4"-14	3/4"-14	3/4"-14	34.50	34.50	34.50	33
DABTFT07F-1616	1"-11	1"-11	1"-11	41.20	41.20	41.20	41
DABTFT07F-2020	1-1/4"-11	1-1/4"-11	1-1/4"-11	43.20	43.20	43.20	48
DABTFT07F-2424	1-1/2"-11	1-1/2"-11	1-1/2"-11	53.00	53.00	53.00	65
DABTFT07F-3232	2"-11	2"-11	2"-11	62.00	62.00	62.00	71

DABTML081

Run Tee Connector BSPT Male 60° - BSPP Swivel Female 60°

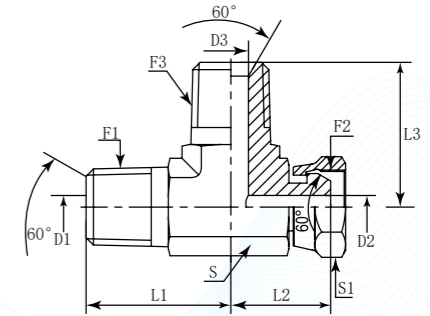
D	A	BT	M	L	081
Company	Product Range	Thread Types	Connection Type	Adaptor Structure	Connection Type
DME	Adaptor	BSPT	Male	Run Tee	Swivel Female

German Technology Equipment

SHIELD FLEX

New-Standard

- DME&JDE Code: **DABTML081**
- Product Type: **Hydraulic adaptor**
- Standard: **BSP**
- Structure: **Run Tee**
- Connection Type: **Male x Swivel Female x Male**
- Thread Types: **BSPT 60° x BSPP 60° x BSPT 60°**



PART NUMBER	F1 (Thread)	F2 (Thread)	F3 (Thread)	D1	D2	D3	L1	L2	L3	S	S1
#	BSPT	BSPP	BSPT	mm	mm	mm	mm	mm	mm	mm	mm
DABTML081-0202	1/8"-28	1/8"-28	1/8"-28	4.50	3.50	4.50	20.00	18.00	20.00	11	14
DABTML081-0404	1/4"-19	1/4"-19	1/4"-19	6.00	4.70	6.00	25.00	21.60	25.00	14	19
DABTML081-0606	3/8"-19	3/8"-19	3/8"-19	9.00	7.90	9.00	28.50	25.60	28.50	19	22
DABTML081-0808	1/2"-14	1/2"-14	1/2"-14	12.00	11.10	12.00	36.00	30.00	36.00	22	27
DABTML081-1212	3/4"-14	3/4"-14	3/4"-14	16.70	16.70	16.70	40.40	35.30	40.40	27	32
DABTML081-1616	1"-11	1"-11	1"-11	22.20	22.20	22.20	50.00	45.50	50.00	33	41
DABTML081-2020	1-1/4"-11	1-1/4"-11	1-1/4"-11	28.60	28.00	28.60	58.00	52.50	58.00	41	50
DABTML081-2424	1-1/2"-11	1-1/2"-11	1-1/2"-11	33.30	33.30	33.30	59.00	54.00	59.00	48	55
DABTML081-3232	2"-11	2"-11	2"-11	46.00	46.00	46.00	76.00	60.00	76.00	65	70



DABTFL07M

Run Tee Adaptor BSPT Fixed Female – BSPT Male 60°

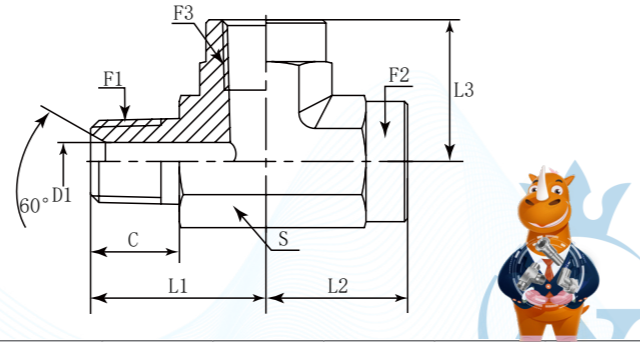
D	A	BT	F	L	07	M
Company	Product Range	Thread Types	Connection Type	Adaptor Structure	Thread Types	Connection Type
DME	Adaptor	BSPT	Female	Run Tee	BSPT	Male

German Technology Equipment

SHIELD FLEX

New-Standard

- DME&JDE Code:** DABTFL07M
- Product Type:** Hydraulic adaptor
- Standard:** BSP
- Structure:** Run Tee
- Connection Type:** Fixed Female x Male x Fixed Female
- Thread Types:** BSPT 60° x BSPT x BSPT



PART NUMBER	F1 (Thread)	F2 (Thread)	F3 (Thread)	C	D	L1	L2	L3	S
#	BSPT	BSPT	BSPT	mm	mm	mm	mm	mm	mm
DABTFL07M-0202	1/8"-28	1/8"-28	1/8"-28	10.00	4.50	16.80	16.80	19.80	14
DABTFL07M-0404	1/4"-19	1/4"-19	1/4"-19	14.00	6.00	27.70	22.40	27.70	19
DABTFL07M-0606	3/8"-19	3/8"-19	3/8"-19	15.00	9.00	26.00	26.00	31.00	22
DABTFL07M-0808	1/2"-14	1/2"-14	1/2"-14	19.00	12.00	31.20	31.20	37.40	27
DABTFL07M-1212	3/4"-14	3/4"-14	3/4"-14	20.00	16.70	34.50	34.50	40.40	33
DABTFL07M-1616	1"-11	1"-11	1"-11	24.00	22.20	41.20	41.20	50.00	41
DABTFL07M-2020	1-1/4"-11	1-1/4"-11	1-1/4"-11	25.00	28.60	43.20	43.20	60.50	48

DABPMX05M

Cross Connector BSPP Male 60° - BSPP Male 60°

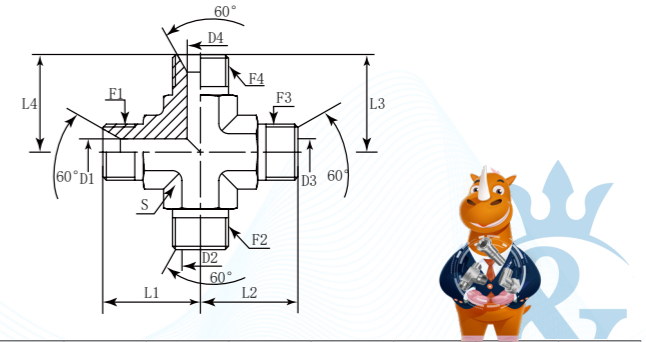
D	A	BP	M	X	05	M
Company	Product Range	Thread Types	Connection Type	Adaptor Structure	Thread Types	Connection Type
DME	Adaptor	BSPP	Male	Cross	BSPP	Male

German Technology Equipment

SHIELD FLEX

New-Standard

- DME&JDE Code:** DABPMX05M
- Product Type:** Hydraulic adaptor
- Standard:** BSP
- Structure:** Cross
- Connection Type:** Male x Male x Male x Male
- Thread Types:** BSPP 60° x BSPP 60° x BSPP 60° x BSPP 60°



PART NUMBER	F1 (Thread)	F2 (Thread)	F3 (Thread)	F4 (Thread)	L1	L2	L3	L4	D1	D2	D3	D4	S
#	BSPP	BSPP	BSPP	BSPP	mm	mm	mm	mm	mm	mm	mm	mm	mm
DABPMX05M-0404	1/4"-19	1/4"-19	1/4"-19	1/4"-19	26.00	26.00	26.00	26.00	4.70	4.70	4.70	4.70	14
DABPMX05M-0606	3/8"-19	3/8"-19	3/8"-19	3/8"-19	30.00	30.00	30.00	30.00	7.90	7.90	7.90	7.90	19
DABPMX05M-0808	1/2"-14	1/2"-14	1/2"-14	1/2"-14	35.00	35.00	35.00	35.00	11.10	11.10	11.10	11.10	22
DABPMX05M-1212	3/4"-14	3/4"-14	3/4"-14	3/4"-14	42.00	42.00	42.00	42.00	16.70	16.70	16.70	16.70	27
DABPMX05M-1616	1"-11	1"-11	1"-11	1"-11	50.00	50.00	50.00	50.00	22.00	22.00	22.00	22.00	33



DABPFX05F

Cross Connector BSPP Fixed Female

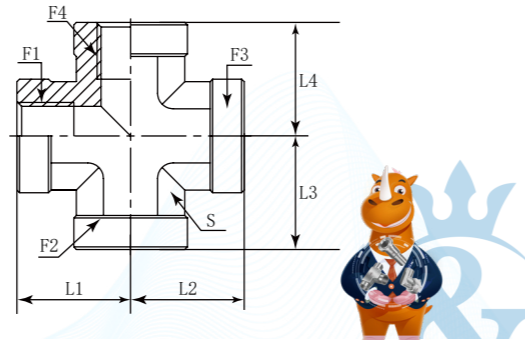
D	A	BP	F	X	05	F
Company	Product Range	Thread Types	Connection Type	Adaptor Structure	Thread Types	Connection Type
DME	Adaptor	BSPP	Female	Cross	BSPP	Female

German Technology Equipment

SHIELD FLEX

New-Standard

- DME&JDE Code: **DABPFX05F**
- Product Type: **Hydraulic adaptor**
- Standard: **BSP**
- Structure: **Cross**
- Connection Type: **Fixed Female x Fixed Female x Fixed Female x Fixed Female**
- Thread Types: **BSPP x BSPP x BSPP x BSPP**



PART NUMBER	F1 (Thread)	F2 (Thread)	F3 (Thread)	F4 (Thread)	L1	L2	L3	L4	S
#	BSPP	BSPP	BSPP	BSPP	mm	mm	mm	mm	mm
DABPFX05F-0202	1/8"-28	1/8"-28	1/8"-28	1/8"-28	20.00	20.00	20.00	20.00	14
DABPFX05F-0404	1/4"-19	1/4"-19	1/4"-19	1/4"-19	22.00	22.00	22.00	22.00	19
DABPFX05F-0606	3/8"-19	3/8"-19	3/8"-19	3/8"-19	26.00	26.00	26.00	26.00	22
DABPFX05F-0808	1/2"-14	1/2"-14	1/2"-14	1/2"-14	32.00	32.00	32.00	32.00	27
DABPFX05F-1212	3/4"-14	3/4"-14	3/4"-14	3/4"-14	36.00	36.00	36.00	36.00	33
DABPFX05F-1616	1"-11	1"-11	1"-11	1"-11	41.50	41.50	41.50	41.50	41

DABPX081

Cross Connector BSPP Swivel Female 60° Cone

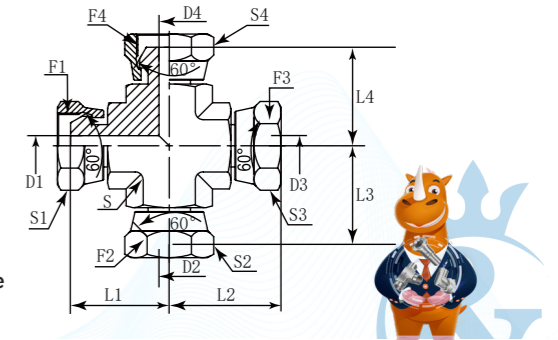
D	A	BP	1	X	081
Company	Product Range	Thread Types	Connection Type	Adaptor Structure	Connection Type
DME	Adaptor	BSPP	Swivel Female	Cross	BSPP Swivel Female

German Technology Equipment

SHIELD FLEX

New-Standard

- DME&JDE Code: **DABPX081**
- Product Type: **Hydraulic adaptor**
- Standard: **BSP**
- Structure: **Cross**
- Connection Type: **Swivel Female x Swivel Female x Swivel Female x Swivel Female**
- Thread Types: **BSPP 60° Cone x BSPP 60° Cone x BSPP 60° Cone x BSPP 60° Cone**



PART NUMBER	F1 (Thread)	F2 (Thread)	F3 (Thread)	F4 (Thread)	D1	D2	D3	D4	L1	L2	L3	L4	S	S1	S2	S3	S4
#	BSPP	BSPP	BSPP	BSPP	mm	mm	mm	mm	mm	mm	mm	mm	mm	mm	mm	mm	mm
DABPX081-0202	1/8"-28	1/8"-28	1/8"-28	1/8"-28	3.50	3.50	3.50	3.50	20.00	20.00	20.00	20.00	11	14	14	14	14
DABPX081-0404	1/4"-19	1/4"-19	1/4"-19	1/4"-19	7.20	7.20	7.20	7.20	26.00	26.00	26.00	26.00	14	19	19	19	19
DABPX081-0606	3/8"-19	3/8"-19	3/8"-19	3/8"-19	7.90	7.90	7.90	7.90	27.20	27.20	27.20	27.20	19	22	22	22	22
DABPX081-0808	1/2"-14	1/2"-14	1/2"-14	1/2"-14	11.10	11.10	11.10	11.10	35.00	35.00	35.00	35.00	22	27	27	27	27
DABPX081-1010	5/8"-14	5/8"-14	5/8"-14	5/8"-14	14.30	14.30	14.30	14.30	38.00	38.00	38.00	38.00	24	30	30	30	30
DABPX081-1212	3/4"-14	3/4"-14	3/4"-14	3/4"-14	16.70	16.70	16.70	16.70	42.00	42.00	42.00	42.00	27	32	32	32	32
DABPX081-1616	1"-11	1"-11	1"-11	1"-11	22.20	22.20	22.20	22.20	44.00	44.00	44.00	44.00	33	41	41	41	41
DABPX081-2020	1-1/4"-11	1-1/4"-11	1-1/4"-11	1-1/4"-11	28.60	28.60	28.60	28.60	49.00	49.00	49.00	49.00	41	50	50	50	50
DABPX081-2424	1-1/2"-11	1-1/2"-11	1-1/2"-11	1-1/2"-11	33.30	33.30	33.30	33.30	61.00	61.00	61.00	61.00	48	55	55	55	55
DABPX081-3232	2"-11	2"-11	2"-11	2"-11	46.00	46.00	46.00	46.00	68.00	68.00	68.00	68.00	65	70	70	70	70





Hydraulic Adaptors

JIC and SAE ORB »



<p>DAJCD0000 P194</p> <p>JIC Tube Nut</p>	<p>DAJCR0000 P195</p> <p>JIC Sleeve For Inch/Metric Tube</p>	<p>DAJCM125M P196</p> <p>JIC Sleeve For Inch/Metric Tube</p>	<p>DAJCM125M-LH P198</p> <p>Straight Connector JIC Male - JIC Male Large Hexagon</p>
<p>DAJCM1305 P199</p> <p>Straight Connector JIC Male - SAE Male + O Ring</p>	<p>DAJCM106Q P202</p> <p>Straight JIC Male - BSPP Male + Retaining Ring + O Ring Seal</p>	<p>DAJCM1065 P204</p> <p>Straight Connector JIC Male - BSPP Male + O Ring Seal</p>	<p>DAJCM152Q P206</p> <p>Straight JIC Male - Metric Male + Retaining Ring + O Ring Seal</p>
<p>DAJCM1525 P208</p> <p>Straight Connector JIC Male - Metric Male + O Ring Seal</p>	<p>DAJCM106I P210</p> <p>Straight Connector JIC Male - BSPP 60° Male with ED Ring</p>	<p>DAJCM152I P212</p> <p>Straight Connector JIC Male - Metric Male with ED Ring</p>	<p>DAJCM122M P214</p> <p>Straight Connector JIC Male - SAE Male Inverted Flare</p>
<p>DAJCM152M P215</p> <p>Straight Connector JIC Male Cone - Metric Male 60° Cone</p>	<p>DAJCM105M P216</p> <p>Straight Connector JIC Male - BSPP 60° Male</p>	<p>DAJCM107M P218</p> <p>Straight Connector JIC Male - BSPT Male 60°</p>	<p>DAJCM128M P220</p> <p>Straight Connector JIC Male - NPTF Male 60°</p>

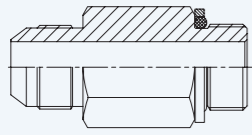


<p>DAJCM152JM P223</p> <p>Straight Connector JIC Male - JIS Metric Male 60°</p>	<p>DAJCM105JM P224</p> <p>Straight Connector JIC Male - JIS BSPP Male 60°</p>	<p>DAJCM105F P225</p> <p>Straight Connector JIC Male - BSPP Female 60°</p>	<p>DAJCM107F P226</p> <p>Straight Connector JIC Male - BSPT Female</p>
<p>DAJCM152F P227</p> <p>Straight Connector JIC Male - Metric Fixed Female</p>	<p>DAJCM105JF P228</p> <p>Straight Connector JIC Male - JIS BSPP Fixed Female</p>	<p>DAJCM152JF P229</p> <p>Straight Connector JIC Male - JIS Metric Female</p>	<p>DAJCM128F P230</p> <p>Straight Connector JIC Male - NPTF Female</p>
<p>DAJCT128F P232</p> <p>Straight Connector Bulkhead JIC Male - NPTF Female</p>	<p>DAJCM1251 P233</p> <p>Straight Connector JIC Male - JIC Swivel Female</p>	<p>DAJCM1081 P235</p> <p>Straight Connector JIC Male - BSPP Swivel Female 60° Cone</p>	<p>DAJCM1106Q P236</p> <p>Straight JIC Swivel Female - BSPP Male + Retaining Ring + O Ring</p>
<p>DAJCM1106S P237</p> <p>Straight Connector JIC Swivel Female - BSPP Male + O Ring</p>	<p>DAJCM11061 P238</p> <p>Straight Connector JIC Swivel Female - BSPP Male 60° with ED Seal</p>	<p>DAJCM1152Q P239</p> <p>Straight JIC Swivel Female - Metric Male + Retaining Ring + O Ring</p>	<p>DAJCM1130S P240</p> <p>Straight Connector JIC Swivel Female - SAE Male + O Ring</p>

<p>DAJCM1152S P242</p> <p>Straight Connector JIC Swivel Female - Metric Male + O Ring</p>	<p>DAJCM1128M P243</p> <p>Straight Connector JIC Swivel Female - NPTF Male 60°</p>	<p>DAJCM1107M P245</p> <p>Straight Connector JIC Swivel Female - BSPT Male 60°</p>	<p>DAJCM1125M P246</p> <p>Straight Connector JIC Fixed Female - JIC Male</p>
<p>DAJCM3125M P249</p> <p>Straight Connector JIC Swivel Female - JIC Male</p>	<p>DAJCM11251 P251</p> <p>Straight Connector JIC Fixed Female - JIC Swivel Female</p>	<p>DAJCM11251 P252</p> <p>Straight Connector JIC Swivel Female - JIC Swivel Female</p>	<p>DAJCM1128F P253</p> <p>Straight Connector JIC Swivel Female - NPTF Female</p>
<p>DAJCM1105F P254</p> <p>Straight Connector JIC Swivel Female - BSPP Fixed Female</p>	<p>DAJCM1105F P255</p> <p>Straight Coupling JIC Fixed Female - BSPP Fixed Female</p>	<p>DAJCM1100B P256</p> <p>Straight Connector JIC Female Swivel - Imperial/Metric Tube</p>	<p>DAJCM1000 P257</p> <p>Male Plug JIC</p>
<p>DAJCM100B P258</p> <p>Straight Bonding(Socket Welding) Connector JIC Male - Imperial/Metric Tube</p>	<p>DAJCM31000 P260</p> <p>JIC Female Cap</p>	<p>DAJCM31000-C P261</p> <p>JIC Female Cap</p>	<p>DAJCM130J P262</p> <p>Straight Long Connector JIC Male - SAE Male + O Ring</p>

DAJCM152Y

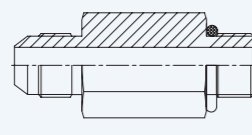
P264



Long Connector JIC Male - Metric Male + Retaining Ring + O Ring

DAJCM152J

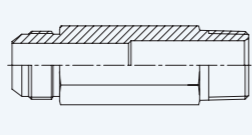
P265



Straight Long Connector JIC Male - Metric Male + O Ring

DAJCM128P

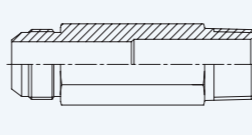
P266



Straight Long Connector JIC Male - NPTF Male 60°

DAJCM128M-LL

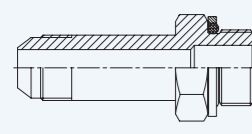
P267



Straight X-Long Connector JIC Male - NPTF Male 60°

DAJCM106Y

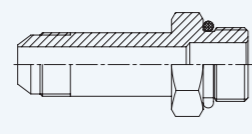
P268



Long Connector JIC Male - BSPP Male + Retaining Ring + O Ring

DAJCM106J

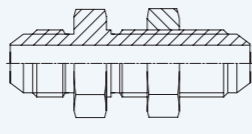
P269



Straight Long Connector JIC Male - BSPP Male + O Ring

DAJCM125T

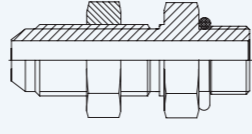
P270



Straight Connector Bulkhead JIC Male - JIC Male

DAJCT130S

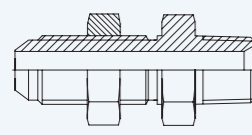
P271



Bulkhead Connector JIC Male Cone - SAE Male + O Ring

DAJCT128M

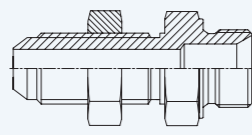
P272



Straight Connector Bulkhead JIC Male - NPTF Male 60°

DAJCT105M

P273



Straight Connector Bulkhead JIC Male Cone - BSPP Male 60°

DAJCLN

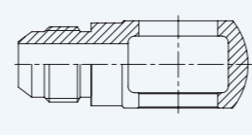
P274



JIC Bulkhead Nut

MJ-BJM

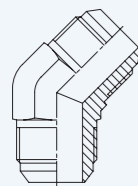
P275



Straight Connector JIC Male - Banjo UNF

DAJCM425M

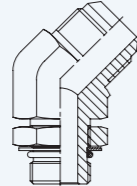
P276



45° Elbow JIC - JIC Male

DAJCM430S

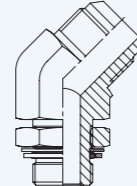
P277



45° Adjustable Elbow JIC Male - SAE Male + O Ring

DAJCM406Q

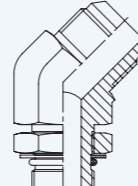
P279



45° Adjustable Elbow JIC Male - BSPP Male + O Ring + Retaining Ring

DAJCM406S

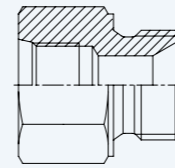
P280



45° Adjustable Elbow JIC Male - BSPP Male + O Ring

DAUNF152M

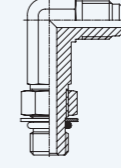
P281



Straight Connector SAE Female O Ring - Metric Male 60°

DAJCM930P

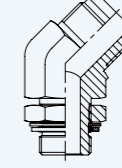
P282



90° Adjustable Long Elbow JIC Male - SAE Male + O Ring + Retaining Ring

DAJCM452Q

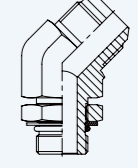
P283



45° Adjustable Elbow JIC Male - Metric Male + O Ring + Retaining Ring

DAJCM452S

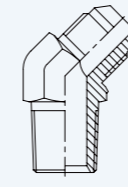
P284



45° Adjustable Elbow JIC Male - Metric Male + O Ring

DAJCM428M

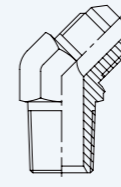
P285



45° Elbow Connector JIC Male - NPTF Male 60°

DAJCM407M

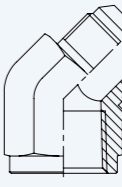
P287



45° Elbow Connector JIC Male - BSPT Male 60°

DAJCM428F

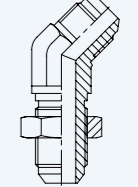
P288



45° Elbow Connector JIC Male - NPTF Female

DAJCM425T

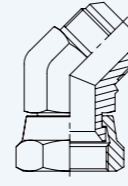
P289



45° Elbow Connector Bulkhead JIC Male - JIC Male

DAJCM425I

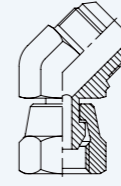
P290



45° Elbow Connector JIC Male - JIC Swivel Female

DAJCM408I

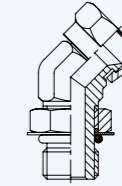
P291



45° Elbow Connector JIC Male - BSPP Swivel Female 60°

DAJCM1430S

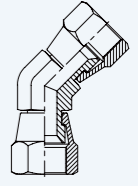
P292



45° Adjustable Elbow JIC Swivel Female - SAE Male O Ring

DAJCM1425I

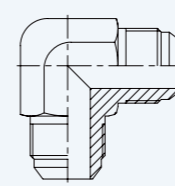
P293



45° Elbow Connector JIC Swivel Female - JIC Swivel Female

DAJCM925M

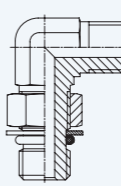
P294



90° Elbow Connector JIC Male - JIC Male

DAJCM930S

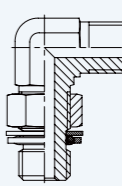
P295



90° Adjustable Elbow JIC Male - SAE Male + O Ring

DAJCM906Q

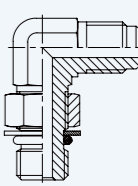
P298



90° Adjustable Elbow JIC Male - BSPP Male + O Ring + Retaining Ring

DAJCM906S

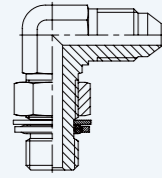
P299



90° Adjustable Elbow JIC Male - BSPP Male + O Ring

DAJCM952Q

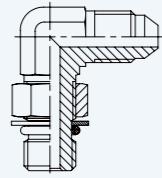
P300



90° Adjustable Elbow JIC Male - Metric Male + O Ring + Retaining Ring

DAJCM952S

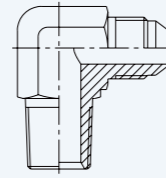
P301



90° Adjustable Elbow JIC Male - Metric Male + O Ring

DAJCM928M

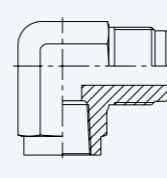
P302



90° Elbow Connector JIC Male - NPTF Male

DAJCM928F

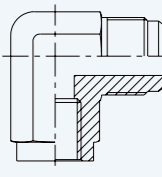
P305



90° Elbow Connector JIC Male - NPTF Female

DAJCM905F

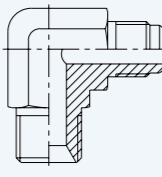
P307



90° Elbow Connector JIC Male - BSPP Fixed Female

DAJCM905M

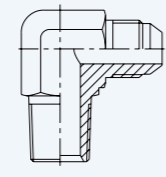
P308



90° Elbow Connector JIC Male - BSPP Male 60°

DAJCM907M

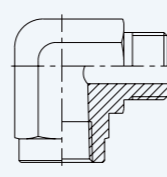
P309



90° Elbow Connector JIC Male - BSPT Male 60°

DAJCM907F

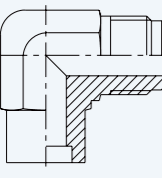
P311



90° Elbow Connector JIC Male - BSPT Female

DAJCM900B

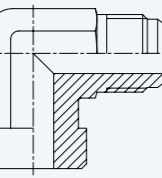
P312



90° Elbow Connector JIC Male - Butt-weld Tube

DAJCM900S

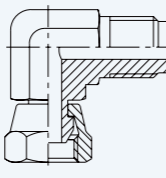
P313



90° Elbow Connector JIC Male - Braze Female

DAJCM9081

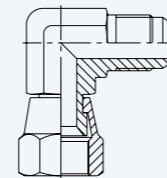
P314



90° Elbow Connector JIC Male - BSPP Swivel Female 60°

DAJCM9251

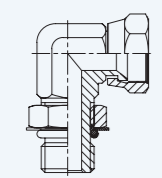
P315



90° Elbow Connector JIC Male - JIC Swivel Female

DAJC19305

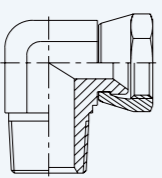
P317



90° Adjustable Elbow JIC Swivel Female - SAE Male O Ring

DAJC1928M

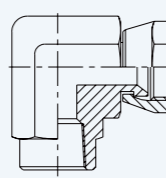
P318



90° Elbow Connector JIC Swivel Female - NPTF Male 60°

DAJC1928F

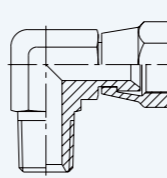
P319



90° Elbow Connector JIC Swivel Female - NPTF Female

DAJC1907M

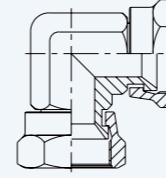
P320



90° Elbow JIC Swivel Female - BSPT Male 60°

DAJC19251

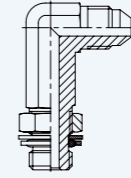
P321



90° Elbow Connector JIC Swivel Female - JIC Swivel Female

DAJCM906Y

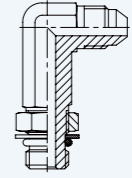
P322



90° Adjustable Long Elbow JIC Male - BSPP Male + O Ring + Retaining Ring

DAJCM906J

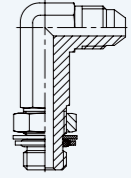
P323



90° Adjustable Long Elbow JIC Male - BSPP Male + O Ring

DAJCM952Y

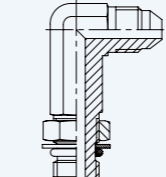
P324



90° Adjustable Long Elbow JIC Male - Metric Male + O Ring + Retaining Ring

DAJCM952J

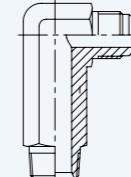
P325



90° Adjustable Long Elbow JIC Male - Metric Male + O Ring

DAJCM928P

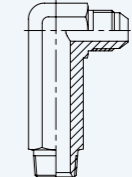
P326



90° Long Elbow Connector JIC Male - NPTF Male

DAJCM9289

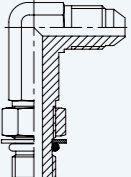
P327



90° Extra Long Elbow Connector JIC Male - NPTF Male

DAJCM906P

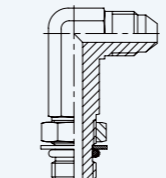
P328



90° Adjustable Long Elbow JIC Male - SAE Male + O Ring + Retaining Ring

DAJCM930J

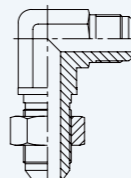
P329



90° Adjustable X-Long Elbow JIC Male - SAE Male + O Ring

DAJCM925T

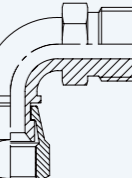
P330



90° Bulkhead Elbow Connector JIC Male - JIC Male

DAJCM9251-B

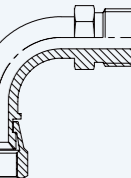
P331



90° Swept Elbow JIC Male - JIC Swivel Female

DAJCM9251-L-B

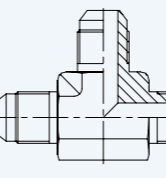
P332



90° Swept Elbow JIC Male - Long JIC Swivel Female

DAJCMT25M

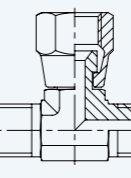
P333



Branch Tee Connector JIC Male - JIC Male

DAJCMT251

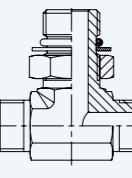
P335



Branch Tee Connector JIC Male - JIC Swivel Female

DAJCMT305

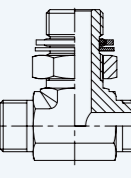
P336



Branch Adjustable Tee JIC Male - SAE Male O Ring

DAJCMT06Q

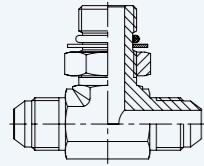
P338



Branch Adjustable Tee JIC Male - BSPP Male + O Ring + Retaining Ring

DAJCMT065

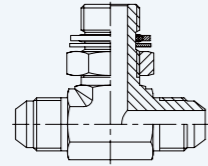
P339



Branch Adjustable Tee JIC Male - BSPP Male + O Ring

DAJCMT52Q

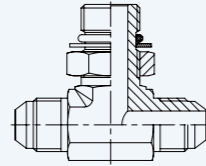
P340



Branch Adjustable Tee JIC Male - Metric Male + O Ring + Retaining Ring

DAJCMT525

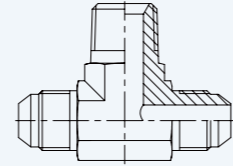
P341



Branch Adjustable Tee JIC Male - Metric Male + O Ring

DAJCMT28M

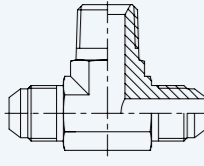
P342



Branch Tee Connector JIC Male - NPTF Male

DAJCMT07M

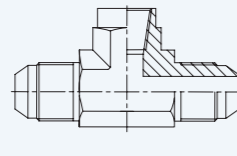
P344



Branch Tee Connector JIC Male - BSPT Male

DAJCMT28F

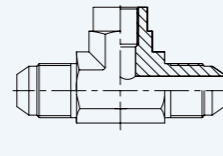
P345



Branch Tee Connector JIC Male - NPTF Female

DAJCMT05F

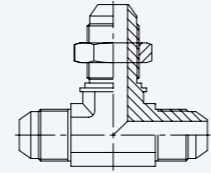
P347



Branch Tee Connector JIC Male - BSPP Fixed Female

DAJCMT25T

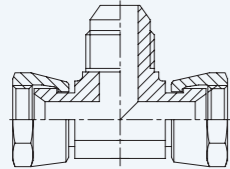
P348



Branch Bulkhead Tee Connector JIC Male - JIC Male

DAJC1T25M

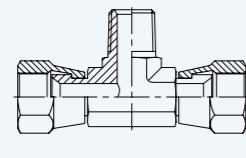
P349



Branch Tee Connector JIC Swivel Female - JIC Male

DAJC1T28M

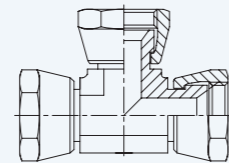
P350



Branch Tee Connector JIC Swivel Female - NPTF Male

DAJC1T251

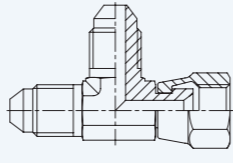
P351



Branch Tee Connector JIC Swivel Female - JIC Swivel Female

DAJCML251

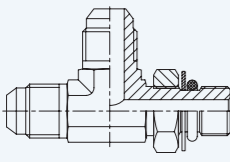
P352



Run Tee Connector JIC Male - JIC Swivel Female

DAJCML305

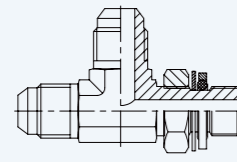
P354



Run Adjustable Tee JIC Male - SAE Male O Ring

DAJCML06Q

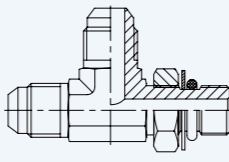
P356



Run Adjustable Tee JIC Male - BSPP Male + O Ring + Retaining Ring

DAJCML065

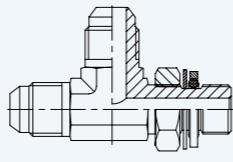
P357



Run Adjustable Tee JIC Male - BSPP Male + O Ring

DAJCML52Q

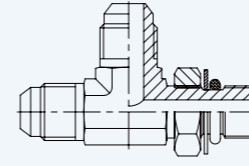
P358



Run Adjustable Tee JIC Male - Metric Male + O Ring + Retaining Ring

DAJCML525

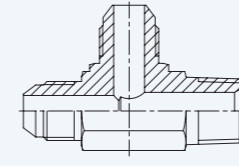
P359



Run Adjustable Tee JIC Male - Metric Male + O Ring

DAJCML28M

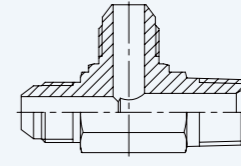
P360



Run Tee Connector JIC Male - NPTF Male

DAJCML07M

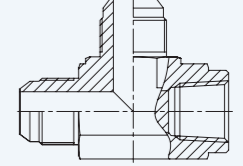
P362



Run Tee Connector JIC Male - BSPT Male

DAJCML28F

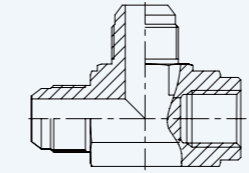
P363



Run Tee Connector JIC Male - NPTF Female

DAJCML05F

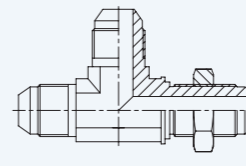
P365



Run Tee Connector JIC Male - BSPP Fixed Female

DAJCML25T

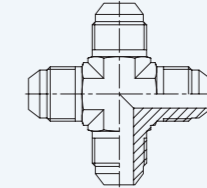
P366



Run Bulkhead Tee Connector JIC Male - JIC Male

DAJCMX25M

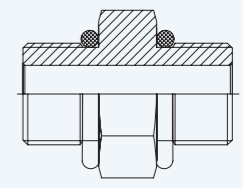
P367



Cross Connector JIC Male - JIC Male

DAUNM1305

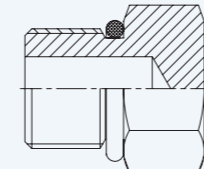
P368



Straight Connector SAE Male + O Ring - SAE Male + O Ring

DAUNM1000

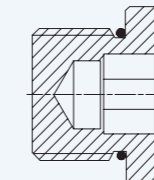
P369



Plug SAE Male O Ring

DVSTI-UN

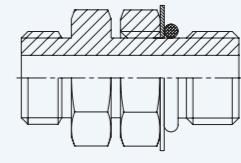
P370



Hexagon Socket SAE Male O Ring Plug

DAUNM1305B

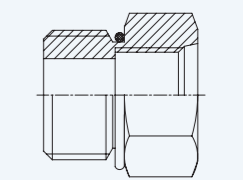
P371



Straight Adjustable Connector SAE Male - SAE Male + O Ring

DAUNF1305

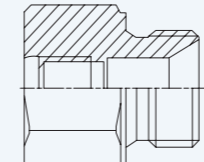
P373



Straight Connector SAE Female O Ring - SAE Male O Ring

DAUNF105M

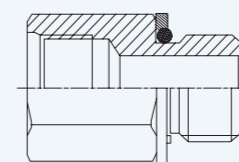
P376



Straight SAE Female O Ring - BSPP male 60° Cone

DAUNF106Q

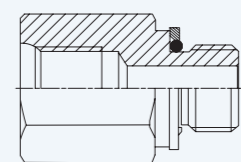
P377



Straight Connector SAE Female O Ring - BSPP Male + O Ring + Retaining Ring

DAUNF152Q

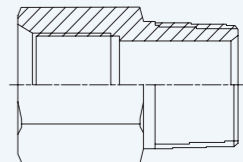
P378



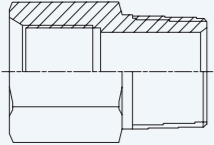
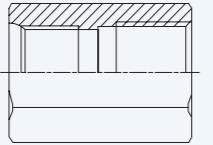
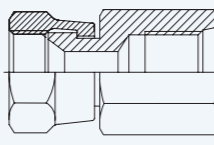
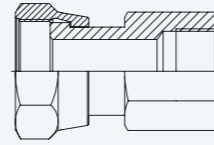
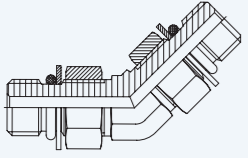
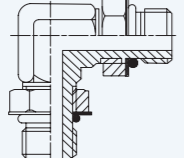
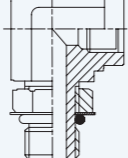
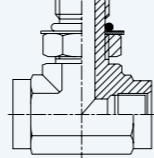
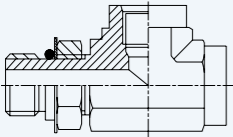
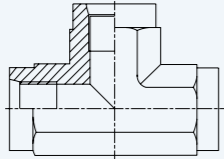
Straight Connector SAE Female O Ring - Metric Male + O Ring + Retaining Ring

DAUNF128M

P379



Straight Connector SAE Female O Ring - NPTF 60° Male

<p>DAUNF130F P381</p>  <p>Straight Connector SAE Female O Ring - SAE Female O Ring</p>	<p>DAUNF128F P382</p>  <p>Straight Connector SAE Female O Ring - NPTF Female</p>	<p>DAUNF1251 P383</p>  <p>Straight Connector SAE Female O Ring - JIC Swivel Female 74°</p>	<p>DAUNF1241 P384</p>  <p>Straight Connector SAE Female O Ring - DRFS Swivel Female</p>
<p>DAUNM4305 P385</p>  <p>45° Adjustable Elbow SAE Male O Ring - SAE Male O Ring</p>	<p>DAUNM9305 P386</p>  <p>90° Adjustable Elbow SAE Male O Ring - SAE Male O Ring</p>	<p>DAUNF9305 P387</p>  <p>90° Adjustable Elbow SAE Solid Female - SAE Male + O Ring + Retaining Ring</p>	<p>DAUNFT305 P388</p>  <p>Branch Adjustable Tee SAE Female O Ring - SAE Male</p>
<p>DAUNFL305 P389</p>  <p>Run Adjustable Tee SAE Female O Ring - SAE Male + O Ring</p>	<p>DAUNFT30F P390</p>  <p>Branch Tee Connector SAE Female O Ring - SAE Female O Ring</p>		

DAJCD0000

JIC Tube Nut

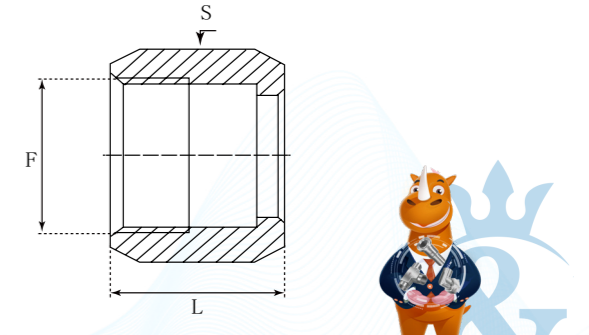
D	A	JC	D	0	000
Company	Product Range	Thread Types	Sealing Type	Compatible Type	Other Features
DME	Adaptor	JIC UNF	Welding	Tube	Nut/Plug

German Technology Equipment

SHIELD FLEX

New-Standard

- DME&JDE Code: **DAJCD0000**
- Product Type: **Hydraulic adaptor**
- Standard: **JIC and SAE-ORB**
- Thread Types: **UNF**
- Other Features: **Nut/Plug**



PART NUMBER	F (Thread)	L	S	Hex
#	UNF	mm	-	-
DAJCD0000-0200	5/16"-24	14.00	10 mm	Metric
DAJCD0000-0200IN	5/16"-24	14.00	3/8"	Imperial
DAJCD0000-0300	3/8"-24	15.49	11 mm	Metric
DAJCD0000-0300IN	3/8"-24	15.49	7/16"	Imperial
DAJCD0000-0400	7/16"-20	15.80	14 mm	Metric
DAJCD0000-0400IN	7/16"-20	15.80	9/16"	Imperial
DAJCD0000-0500	1/2"-20	17.30	17 mm	Metric
DAJCD0000-0500IN	1/2"-20	17.30	5/8"	Imperial
DAJCD0000-0600	9/16"-18	18.50	19 mm	Metric
DAJCD0000-0600IN	9/16"-18	18.50	11/16"	Imperial
DAJCD0000-0800	3/4"-16	21.60	22 mm	Metric
DAJCD0000-0800IN	3/4"-16	21.60	7/8"	Imperial
DAJCD0000-1000	7/8"-14	24.90	27 mm	Metric
DAJCD0000-1000IN	7/8"-14	24.90	1"	Imperial
DAJCD0000-1200	1-1/16"-12	26.20	32 mm	Metric
DAJCD0000-1200IN	1-1/16"-12	26.20	1-1/4"	Imperial
DAJCD0000-1400	1-3/16"-12	27.69	36 mm	Metric
DAJCD0000-1400IN	1-3/16"-12	27.69	1-3/8"	Imperial
DAJCD0000-1600	1-5/16"-12	28.70	41 mm	Metric
DAJCD0000-1600IN	1-5/16"-12	28.70	1-1/2"	Imperial
DAJCD0000-2000	1-5/8"-12	31.20	50 mm	Metric
DAJCD0000-2000IN	1-5/8"-12	31.20	2"	Imperial
DAJCD0000-2400	1-7/8"-12	36.10	60 mm	Metric
DAJCD0000-2400IN	1-7/8"-12	36.10	2-1/4"	Imperial
DAJCD0000-3200	2-1/2"-12	44.50	75 mm	Metric
DAJCD0000-3200IN	2-1/2"-12	44.50	2-7/8"	Imperial

Certificate: 

DAJCR0000

JIC Sleeve For Inch/Metric Tube

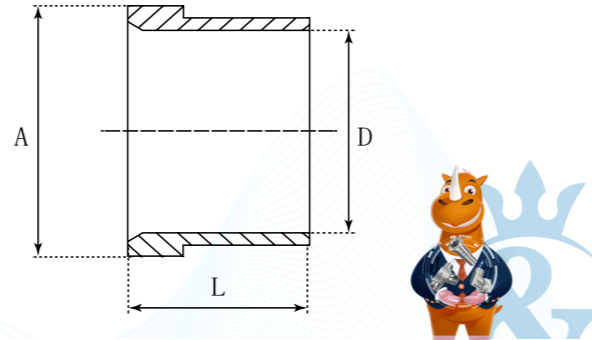
D	A	JC	R	0	000
Company	Product Range	Thread Types	Nut Type	Compatible Type	Other Features
DME	Adaptor	JIC UNF	Sleeve	Tube	Nut/Plug

German Technology Equipment

SHIELD FLEX

New-Standard

- DME&JDE Code: **DAJCR0000**
- Product Type: **Hydraulic adaptor**
- Standard: **JIC and SAE-ORB**
- Thread Types: **Metric**
- Other Features: **Nut/Plug**



PART NUMBER	Tube OD		A	D	L
	Metric (mm)	Inch			
#			mm	mm	mm
DAJCR0000-0303IN	-	1/5"	8.36	4.90	8.64
DAJCR0000-0305	05	-	8.36	4.90	8.64
DAJCR0000-0404IN	-	1/4"	9.73	6.48	10.40
DAJCR0000-0406	06	-	9.70	6.10	10.40
DAJCR0000-0505IN	-	5/16"	11.30	8.08	11.18
DAJCR0000-0508	08	-	11.30	8.10	11.18
DAJCR0000-0606IN	-	3/8"	12.75	9.65	12.70
DAJCR0000-0610	10	-	12.7	10.10	12.70
DAJCR0000-0808IN	-	1/2"	17.32	12.83	14.20
DAJCR0000-0812	12	-	17.32	12.10	14.20
DAJCR0000-1010IN	-	5/8"	20.20	16.03	16.80
DAJCR0000-1014	14	-	20.20	14.10	16.80
DAJCR0000-1212IN	-	3/4"	24.69	19.20	17.30
DAJCR0000-1218	18	-	24.10	18.10	17.30
DAJCR0000-1220	20	-	24.69	20.10	17.30
DAJCR0000-1414IN	-	7/8"	27.86	22.38	19.30
DAJCR0000-1422	22	-	27.86	22.10	19.30
DAJCR0000-1616IN	-	1"	31.04	25.55	27.46
DAJCR0000-1625	25	-	31.00	25.10	19.80
DAJCR0000-2020IN	-	1-1/4"	38.96	32.00	23.10
DAJCR0000-2030	30	-	38.96	30.10	23.10
DAJCR0000-2032	32	-	38.96	32.10	23.10
DAJCR0000-2424IN	-	1-1/2"	45.31	38.35	28.40
DAJCR0000-2438	38	-	45.31	38.10	28.40
DAJCR0000-3232IN	-	2"	61.19	51.16	30.20
DAJCR0000-3252	52	-	61.19	52.10	30.20

DAJCM125M

Straight Connector JIC Male – JIC Male

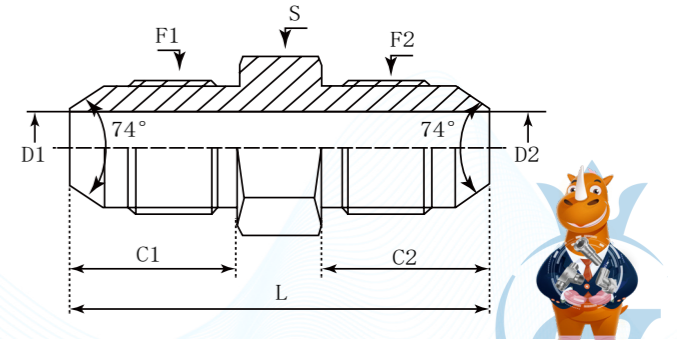
D	A	JC	M	1	25	M
Company	Product Range	Thread Types	Connection Type	Adaptor Structure	Thread Types	Connection Type
DME	Adaptor	JIC UNF	Male	Straight	JIC	Male

German Technology Equipment

SHIELD FLEX

New-Standard

- DME&JDE Code: **DAJCM125M**
- Product Type: **Hydraulic adaptor**
- Standard: **JIC and SAE-ORB**
- Structure: **Straight**
- Connection Type: **Male x Male**
- Thread Types: **UNF x UNF**

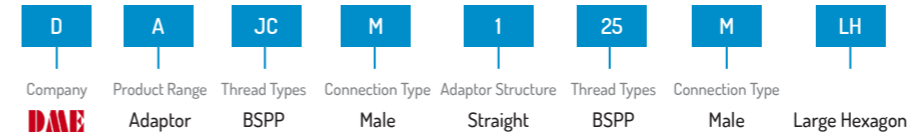


PART NUMBER	F1 (Thread)	F2 (Thread)	C1	C2	D1	D2	L	S	Hex
#	UNF	UNF	mm	mm	mm	mm	mm	-	-
DAJCM125M-0202	5/16"-24	5/16"-24	11.38	11.38	1.57	1.57	29.7	11 mm	Metric
DAJCM125M-0202IN	5/16"-24	5/16"-24	11.38	11.38	1.57	1.57	29.7	7/16"	Imperial
DAJCM125M-0302	3/8"-24	5/16"-24	12.17	11.38	3.2	1.57	30.48	11 mm	Metric
DAJCM125M-0303	3/8"-24	3/8"-24	12.2	12.2	3.2	3.2	31.2	11 mm	Metric
DAJCM125M-0302IN	3/8"-24	5/16"-24	12.17	11.38	3.2	1.57	30.48	7/16"	Imperial
DAJCM125M-0303IN	3/8"-24	3/8"-24	12.2	12.2	3.2	3.2	31.2	7/16"	Imperial
DAJCM125M-0402	7/16"-20	5/16"-24	13.97	11.38	4.37	1.57	32.30	12 mm	Metric
DAJCM125M-0403	7/16"-20	3/8"-24	13.97	12.00	4.37	3.18	33.00	12 mm	Metric
DAJCM125M-0404	7/16"-20	7/16"-20	13.97	13.97	4.37	4.37	34.80	12 mm	Metric
DAJCM125M-0402IN	7/16"-20	5/16"-24	13.97	11.38	4.37	1.57	32.30	1/2"	Imperial
DAJCM125M-0403IN	7/16"-20	3/8"-24	13.97	12.00	4.37	3.18	33.00	1/2"	Imperial
DAJCM125M-0404IN	7/16"-20	7/16"-20	13.97	13.97	4.37	4.37	34.80	1/2"	Imperial
DAJCM125M-0504	1/2"-20	7/16"-20	13.97	13.97	5.94	4.37	35.00	14 mm	Metric
DAJCM125M-0505	1/2"-20	1/2"-20	13.97	13.97	5.94	5.94	34.80	14 mm	Metric
DAJCM125M-0504IN	1/2"-20	7/16"-20	13.97	13.97	5.94	4.37	35.00	9/16"	Imperial
DAJCM125M-0505IN	1/2"-20	1/2"-20	13.97	13.97	5.94	5.94	34.80	9/16"	Imperial
DAJCM125M-0604	9/16"-18	7/16"-20	14.12	13.97	7.54	4.37	35.70	17 mm	Metric
DAJCM125M-0605	9/16"-18	1/2"-20	14.12	13.97	5.94	5.94	35.60	17 mm	Metric
DAJCM125M-0606	9/16"-18	9/16"-18	14.12	14.12	7.54	7.54	35.80	17 mm	Metric
DAJCM125M-0604IN	9/16"-18	7/16"-20	14.12	13.97	7.54	4.37	35.70	5/8"	Imperial
DAJCM125M-0605IN	9/16"-18	1/2"-20	14.12	13.97	5.94	5.94	35.60	5/8"	Imperial
DAJCM125M-0606IN	9/16"-18	9/16"-18	14.12	14.12	7.54	7.54	35.80	5/8"	Imperial
DAJCM125M-0707	5/8"-18	5/8"-18	15.70	15.70	7.14	7.14	38.70	17 mm	Metric
DAJCM125M-0707IN	5/8"-18	5/8"-18	15.70	15.70	7.14	7.14	38.70	11/16"	Imperial
DAJCM125M-0804	3/4"-16	7/16"-20	16.69	13.97	9.93	4.37	38.40	22 mm	Metric
DAJCM125M-0805	3/4"-16	1/2"-20	16.69	13.97	9.93	5.94	38.50	22 mm	Metric
DAJCM125M-0806	3/4"-16	9/16"-18	16.69	14.12	9.93	7.54	38.60	22 mm	Metric
DAJCM125M-0808	3/4"-16	3/4"-16	16.69	16.69	9.93	9.93	41.20	22 mm	Metric
DAJCM125M-0804IN	3/4"-16	7/16"-20	16.69	13.97	9.93	4.37	38.40	13/16"	Imperial
DAJCM125M-0805IN	3/4"-16	1/2"-20	16.69	13.97	9.93	5.94	38.50	13/16"	Imperial
DAJCM125M-0806IN	3/4"-16	9/16"-18	16.69	14.12	9.93	7.54	38.60	13/16"	Imperial
DAJCM125M-0808IN	3/4"-16	3/4"-16	16.69	16.69	9.93	9.93	41.20	13/16"	Imperial

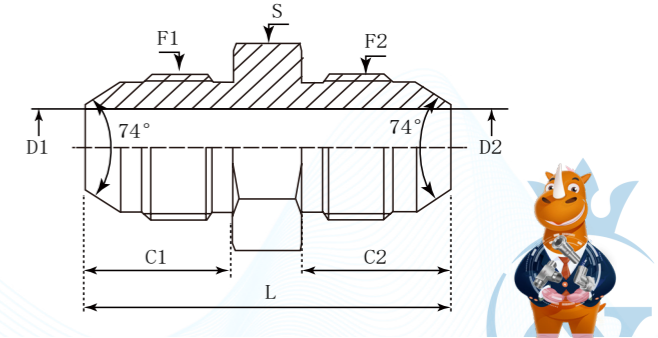
DAJCM125M-1004	7/8"-14	7/16"-20	19.25	13.97	12.29	4.37	42.42	24 mm	Metric
DAJCM125M-1005	7/8"-14	1/2"-20	19.25	13.97	12.29	5.94	42.40	24 mm	Metric
DAJCM125M-1006	7/8"-14	9/16"-18	19.25	14.12	12.29	7.54	42.70	24 mm	Metric
DAJCM125M-1008	7/8"-14	3/4"-16	19.25	16.69	12.29	9.93	45.21	24 mm	Metric
DAJCM125M-1010	7/8"-14	7/8"-14	19.25	19.25	12.29	12.29	47.80	24 mm	Metric
DAJCM125M-1004IN	7/8"-14	7/16"-20	19.25	13.97	12.29	4.37	42.42	15/16"	Imperial
DAJCM125M-1005IN	7/8"-14	1/2"-20	19.25	13.97	12.29	5.94	42.42	15/16"	Imperial
DAJCM125M-1006IN	7/8"-14	9/16"-18	19.25	14.12	12.29	7.54	42.70	15/16"	Imperial
DAJCM125M-1008IN	7/8"-14	3/4"-16	19.25	16.69	12.29	9.93	45.21	15/16"	Imperial
DAJCM125M-1010IN	7/8"-14	7/8"-14	19.25	19.25	12.29	12.29	47.80	15/16"	Imperial
DAJCM125M-1204	1-1/16"-12	7/16"-20	21.95	13.97	15.47	4.37	47.00	30 mm	Metric
DAJCM125M-1206	1-1/16"-12	9/16"-18	21.95	14.12	15.47	7.54	46.99	30 mm	Metric
DAJCM125M-1208	1-1/16"-12	3/4"-16	21.95	16.69	15.47	9.93	49.50	30 mm	Metric
DAJCM125M-1210	1-1/16"-12	7/8"-14	21.95	19.25	15.47	12.29	52.10	30 mm	Metric
DAJCM125M-1212	1-1/16"-12	1-1/16"-12	21.95	21.95	15.47	15.47	54.90	30 mm	Metric
DAJCM125M-1204IN	1-1/16"-12	7/16"-20	21.95	13.97	15.47	4.37	47.00	1-1/8"	Imperial
DAJCM125M-1206IN	1-1/16"-12	9/16"-18	21.95	14.12	15.47	7.54	46.99	1-1/8"	Imperial
DAJCM125M-1208IN	1-1/16"-12	3/4"-16	21.95	16.69	15.47	9.93	49.50	1-1/8"	Imperial
DAJCM125M-1210IN	1-1/16"-12	7/8"-14	21.95	19.25	15.47	12.29	52.10	1-1/8"	Imperial
DAJCM125M-1212IN	1-1/16"-12	1-1/16"-12	21.95	21.95	15.47	15.47	54.90	1-1/8"	Imperial
DAJCM125M-1412	1-3/16"-12	1-1/16"-12	23.00	21.95	18.00	15.47	55.00	32 mm	Metric
DAJCM125M-1414	1-3/16"-12	1-3/16"-12	23.00	23.00	18.00	18.00	56.10	32 mm	Metric
DAJCM125M-1412IN	1-3/16"-12	1-1/16"-12	23.00	21.95	18.00	15.47	55.00	1-1/4"	Imperial
DAJCM125M-1414IN	1-3/16"-12	1-3/16"-12	23.00	23.00	18.00	18.00	56.10	1-1/4"	Imperial
DAJCM125M-1606	1-5/16"-12	9/16"-18	23.14	14.12	21.44	7.54	48.00	36 mm	Metric
DAJCM125M-1608	1-5/16"-12	3/4"-16	23.14	16.69	21.44	9.93	50.80	36 mm	Metric
DAJCM125M-1610	1-5/16"-12	7/8"-14	23.14	19.25	21.44	12.29	53.40	36 mm	Metric
DAJCM125M-1612	1-5/16"-12	1-1/16"-12	23.14	21.95	21.44	15.47	56.00	36 mm	Metric
DAJCM125M-1616	1-5/16"-12	1-5/16"-12	23.14	23.14	21.44	21.44	57.20	36 mm	Metric
DAJCM125M-1606IN	1-5/16"-12	9/16"-18	23.14	14.12	21.44	7.54	48.00	1-3/8"	Imperial
DAJCM125M-1608IN	1-5/16"-12	3/4"-16	23.14	16.69	21.44	9.93	50.80	1-3/8"	Imperial
DAJCM125M-1610IN	1-5/16"-12	7/8"-14	23.14	19.25	21.44	12.29	53.40	1-3/8"	Imperial
DAJCM125M-1612IN	1-5/16"-12	1-1/16"-12	23.14	21.95	21.44	15.47	56.00	1-3/8"	Imperial
DAJCM125M-1616IN	1-5/16"-12	1-5/16"-12	23.14	23.14	21.44	21.44	57.20	1-3/8"	Imperial
DAJCM125M-2012	1-5/8"-12	1-1/16"-12	24.33	21.95	27.38	15.47	59.40	46 mm	Metric
DAJCM125M-2016	1-5/8"-12	1-5/16"-12	24.33	23.14	27.38	21.44	60.50	46 mm	Metric
DAJCM125M-2020	1-5/8"-12	1-5/8"-12	24.33	24.33	27.38	27.38	61.70	46 mm	Metric
DAJCM125M-2012IN	1-5/8"-12	1-1/16"-12	24.33	21.95	27.38	15.47	59.40	1-11/16"	Imperial
DAJCM125M-2016IN	1-5/8"-12	1-5/16"-12	24.33	23.14	27.38	21.44	60.50	1-11/16"	Imperial
DAJCM125M-2020IN	1-5/8"-12	1-5/8"-12	24.33	24.33	27.38	27.38	61.70	1-11/16"	Imperial
DAJCM125M-2412	1-7/8"-12	1-1/16"-12	27.51	21.95	33.32	15.47	64.30	50 mm	Metric
DAJCM125M-2416	1-7/8"-12	1-5/16"-12	27.51	23.14	33.32	21.44	65.50	50 mm	Metric
DAJCM125M-2420	1-7/8"-12	1-5/8"-12	27.51	24.33	33.32	27.38	65.70	50 mm	Metric
DAJCM125M-2424	1-7/8"-12	1-7/8"-12	27.50	27.50	33.32	33.32	69.85	50 mm	Metric
DAJCM125M-2412IN	1-7/8"-12	1-1/16"-12	27.51	21.95	33.32	15.47	64.30	2"	Imperial
DAJCM125M-2416IN	1-7/8"-12	1-5/16"-12	27.51	23.14	33.32	21.44	65.50	2"	Imperial
DAJCM125M-2420IN	1-7/8"-12	1-5/8"-12	27.51	24.33	33.32	27.38	65.70	2"	Imperial
DAJCM125M-2424IN	1-7/8"-12	1-7/8"-12	27.50	27.50	33.32	33.32	69.85	2"	Imperial
DAJCM125M-3216	2-1/2"-12	1-5/16"-12	33.86	23.14	45.24	21.44	75.70	65 mm	Metric
DAJCM125M-3220	2-1/2"-12	1-5/8"-12	33.86	24.33	45.24	27.38	76.80	65 mm	Metric
DAJCM125M-3224	2-1/2"-12	1-7/8"-12	33.86	27.50	45.24	33.32	80.10	65 mm	Metric
DAJCM125M-3232	2-1/2"-12	2-1/2"-12	33.86	33.86	45.24	45.24	86.51	65 mm	Metric
DAJCM125M-3216IN	2-1/2"-12	1-5/16"-12	33.86	23.14	45.24	21.44	75.70	2-5/8"	Imperial
DAJCM125M-3220IN	2-1/2"-12	1-5/8"-12	33.86	24.33	45.24	27.38	76.80	2-5/8"	Imperial
DAJCM125M-3224IN	2-1/2"-12	1-7/8"-12	33.86	27.50	45.24	33.32	80.10	2-5/8"	Imperial
DAJCM125M-3232IN	2-1/2"-12	2-1/2"-12	33.86	33.86	45.24	45.24	86.51	2-5/8"	Imperial

DAJCM125M-LH

Straight Connector JIC Male – JIC Male Large Hexagon



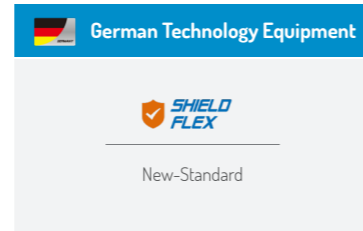
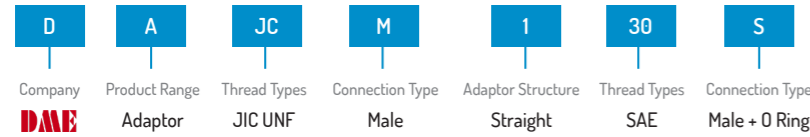
- DME&JDE Code:** DAJCM125M-LH
- Product Type:** Hydraulic adaptor
- Standard:** JIC and SAE-ORB
- Structure:** Straight
- Connection Type:** Male x Male
- Thread Types:** UNF x UNF
- Other Features:** Large Hexagon



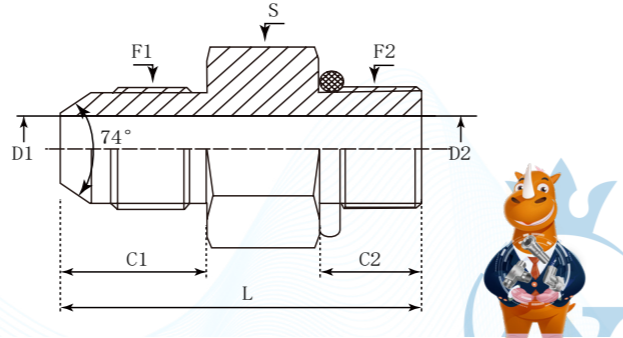
PART NUMBER	F1 (Thread)	F2 (Thread)	C1	C2	D1	D2	L	S	Hex
#	UNF	UNF	mm	mm	mm	mm	mm	-	-
DAJCM125M-LH-0302	3/8"-24	5/16"-24	12.17	11.38	3.18	1.57	30.48	17 mm	Metric
DAJCM125M-LH-0303	3/8"-24	3/8"-24	12.17	12.17	3.18	3.18	31.20	17 mm	Metric
DAJCM125M-LH-0302IN	3/8"-24	5/16"-24	12.17	11.38	3.18	1.57	30.48	5/8"	Imperial
DAJCM125M-LH-0303IN	3/8"-24	3/8"-24	12.17	12.17	3.18	3.18	31.2	5/8"	Imperial
DAJCM125M-LH-0404	7/16"-20	7/16"-20	13.97	13.97	4.37	4.37	34.80	17 mm	Metric
DAJCM125M-LH-0404IN	7/16"-20	7/16"-20	13.97	13.97	4.37	4.37	34.80	11/16"	Imperial
DAJCM125M-LH-0504	1/2"-20	7/16"-20	13.97	13.97	5.94	4.37	34.80	19 mm	Metric
DAJCM125M-LH-0505	1/2"-20	1/2"-20	13.97	13.97	5.94	5.94	34.80	19 mm	Metric
DAJCM125M-LH-0504IN	1/2"-20	7/16"-20	13.97	13.97	5.94	4.37	34.80	3/4"	Imperial
DAJCM125M-LH-0505IN	1/2"-20	1/2"-20	13.97	13.97	5.94	5.94	34.80	3/4"	Imperial
DAJCM125M-LH-0606	9/16"-18	9/16"-18	14.12	14.12	7.54	7.54	35.81	22 mm	Metric
DAJCM125M-LH-0606IN	9/16"-18	9/16"-18	14.12	14.12	7.54	7.54	35.81	13/16"	Imperial
DAJCM125M-LH-0804	3/4"-16	7/16"-20	16.69	13.97	9.93	4.37	38.40	27 mm	Metric
DAJCM125M-LH-0806	3/4"-16	9/16"-18	16.69	14.12	9.93	7.54	38.60	27 mm	Metric
DAJCM125M-LH-0808	3/4"-16	3/4"-16	16.69	16.69	9.93	9.93	41.20	27 mm	Metric
DAJCM125M-LH-0804IN	3/4"-16	7/16"-20	16.69	13.97	9.93	4.37	38.40	1"	Imperial
DAJCM125M-LH-0806IN	3/4"-16	9/16"-18	16.69	14.12	9.93	7.54	38.60	1"	Imperial
DAJCM125M-LH-0808IN	3/4"-16	3/4"-16	16.69	16.69	9.93	9.93	41.20	1"	Imperial
DAJCM125M-LH-1008	7/8"-14	3/4"-16	19.25	16.69	12.29	9.93	45.21	30 mm	Metric
DAJCM125M-LH-1010	7/8"-14	7/8"-14	19.25	19.25	12.29	12.29	47.80	30 mm	Metric
DAJCM125M-LH-1008IN	7/8"-14	3/4"-16	19.25	16.69	12.29	9.93	45.21	1-1/8"	Imperial
DAJCM125M-LH-1010IN	7/8"-14	7/8"-14	19.25	19.25	12.29	12.29	47.80	1-1/8"	Imperial
DAJCM125M-LH-1208	1-1/16"-12	3/4"-16	21.95	16.69	15.47	9.93	49.53	36 mm	Metric
DAJCM125M-LH-1210	1-1/16"-12	7/8"-14	21.95	19.25	15.47	12.29	52.10	36 mm	Metric
DAJCM125M-LH-1212	1-1/16"-12	1-1/16"-12	21.95	21.95	15.47	15.47	54.90	36 mm	Metric
DAJCM125M-LH-1208IN	1-1/16"-12	3/4"-16	21.95	16.69	15.47	9.93	49.53	1-3/8"	Imperial
DAJCM125M-LH-1210IN	1-1/16"-12	7/8"-14	21.95	19.25	15.47	12.29	52.10	1-3/8"	Imperial
DAJCM125M-LH-1212IN	1-1/16"-12	1-1/16"-12	21.95	21.95	15.47	15.47	54.90	1-3/8"	Imperial
DAJCM125M-LH-1608	1-5/16"-12	3/4"-16	23.14	16.69	21.44	9.93	50.75	41 mm	Metric
DAJCM125M-LH-1616	1-5/16"-12	1-5/16"-12	23.14	23.14	21.44	21.44	57.20	41 mm	Metric
DAJCM125M-LH-1608IN	1-5/16"-12	3/4"-16	23.14	16.69	21.44	9.93	50.75	1-5/8"	Imperial
DAJCM125M-LH-1616IN	1-5/16"-12	1-5/16"-12	23.14	23.14	21.44	21.44	57.20	1-5/8"	Imperial
DAJCM125M-LH-2020	1-5/8"-12	1-5/8"-12	24.33	24.33	27.38	27.38	61.70	50 mm	Metric
DAJCM125M-LH-2020IN	1-5/8"-12	1-5/8"-12	24.33	24.33	27.38	27.38	61.70	1-7/8"	Imperial

DAJCM1305

Straight Connector JIC Male – SAE Male + O Ring



- DME&JDE Code:** DAJCM1305
- Product Type:** Hydraulic adaptor
- Standard:** JIC and SAE-ORB
- Structure:** Straight
- Connection Type:** Male x Male
- Thread Types:** UNF x UNF
- Sealing Method:** O Ring



PART NUMBER	F1 (Thread)	F2 (Thread)	C1	C2	D1	D2	L	S	Hex
#	UNF	UNF	mm	mm	mm	mm	mm	-	-
DAJCM1305-0202	5/16"-24	5/16"-24	11.38	7.54	1.57	1.57	26.9	11 mm	Metric
DAJCM1305-0202IN	5/16"-24	5/16"-24	11.38	7.54	1.57	1.57	26.9	7/16"	Imperial
DAJCM1305-0302	3/8"-24	5/16"-24	12.17	7.54	3.18	1.6	27.9	12 mm	Metric
DAJCM1305-0303	3/8"-24	3/8"-24	12.17	7.54	3.18	3.18	27.94	12 mm	Metric
DAJCM1305-0302IN	3/8"-24	5/16"-24	12.17	7.54	3.18	1.6	27.9	1/2"	Imperial
DAJCM1305-0303IN	3/8"-24	3/8"-24	12.17	7.54	3.18	3.18	27.94	1/2"	Imperial
DAJCM1305-0402	7/16"-20	5/16"-24	13.97	7.54	4.37	1.6	29.7	12 mm	Metric
DAJCM1305-0403	7/16"-20	3/8"-24	13.97	7.54	4.37	3.18	29.7	12 mm	Metric
DAJCM1305-0404	7/16"-20	7/16"-20	13.97	9.14	4.37	4.37	31.20	14 mm	Metric
DAJCM1305-0405	7/16"-20	1/2"-20	13.97	9.14	4.37	5.94	31.20	17 mm	Metric
DAJCM1305-0406	7/16"-20	9/16"-18	13.97	9.93	4.37	7.54	32.80	17 mm	Metric
DAJCM1305-0408	7/16"-20	3/4"-16	13.97	11.13	4.37	9.93	34.80	22 mm	Metric
DAJCM1305-0410	7/16"-20	7/8"-14	13.97	12.70	4.37	12.29	37.90	27 mm	Metric
DAJCM1305-0412	7/16"-20	1-1/16"-12	13.97	15.09	4.37	15.47	41.98	32 mm	Metric
DAJCM1305-0416	7/16"-20	1-5/16"-12	13.97	15.09	4.37	21.44	42.80	41 mm	Metric
DAJCM1305-0402IN	7/16"-20	5/16"-24	13.97	7.54	4.37	1.6	29.7	1/2"	Imperial
DAJCM1305-0403IN	7/16"-20	3/8"-24	13.97	7.54	4.37	3.18	29.7	1/2"	Imperial
DAJCM1305-0404IN	7/16"-20	7/16"-20	13.97	9.14	4.37	4.37	31.20	9/16"	Imperial
DAJCM1305-0405IN	7/16"-20	1/2"-20	13.97	9.14	4.37	5.94	31.20	5/8"	Imperial
DAJCM1305-0406IN	7/16"-20	9/16"-18	13.97	9.93	4.37	7.54	32.80	11/16"	Imperial
DAJCM1305-0408IN	7/16"-20	3/4"-16	13.97	11.13	4.37	9.93	34.80	7/8"	Imperial
DAJCM1305-0410IN	7/16"-20	7/8"-14	13.97	12.70	4.37	12.29	37.90	1"	Imperial
DAJCM1305-0412IN	7/16"-20	1-1/16"-12	13.97	15.09	4.37	15.47	41.98	1-1/4"	Imperial
DAJCM1305-0416IN	7/16"-20	1-5/16"-12	13.97	15.09	4.37	21.44	42.80	1-1/2"	Imperial
DAJCM1305-0502	1/2"-20	5/16"-24	13.97	7.54	5.94	1.60	29.60	14 mm	Metric
DAJCM1305-0503	1/2"-20	3/8"-24	13.97	7.54	5.94	3.18	29.70	14 mm	Metric
DAJCM1305-0504	1/2"-20	7/16"-20	13.97	9.14	5.94	4.37	31.20	17 mm	Metric
DAJCM1305-0505	1/2"-20	1/2"-20	13.97	9.14	5.94	5.94	31.20	17 mm	Metric
DAJCM1305-0506	1/2"-20	9/16"-18	13.97	9.93	5.94	7.54	32.77	17 mm	Metric

Web: <https://www.dmejde.com>
E-mail: info@dmejde.com



DAJCM1305-0508	1/2"-20	3/4"-16	13.97	11.13	5.94	9.93	34.90	22 mm	Metric
DAJCM1305-0502IN	1/2"-20	5/16"-24	13.97	7.54	5.94	1.60	29.60	5/8"	Imperial
DAJCM1305-0503IN	1/2"-20	3/8"-24	13.97	7.54	5.94	3.18	29.70	9/16"	Imperial
DAJCM1305-0504IN	1/2"-20	7/16"-20	13.97	9.14	5.94	4.37	31.20	5/8"	Imperial
DAJCM1305-0505IN	1/2"-20	1/2"-20	13.97	9.14	5.94	5.94	31.20	5/8"	Imperial
DAJCM1305-0506IN	1/2"-20	9/16"-18	13.97	9.93	5.94	7.54	32.77	11/16"	Imperial
DAJCM1305-0508IN	1/2"-20	3/4"-16	13.97	11.13	5.94	9.93	34.90	7/8"	Imperial
DAJCM1305-0602	9/16"-18	5/16"-24	14.12	7.54	7.54	1.60	29.80	17 mm	Metric
DAJCM1305-0603	9/16"-18	3/8"-24	14.12	7.54	7.54	3.18	30.80	17 mm	Metric
DAJCM1305-0604	9/16"-18	7/16"-20	14.12	9.14	7.54	4.37	32.30	17 mm	Metric
DAJCM1305-0605	9/16"-18	1/2"-20	14.12	9.14	7.54	6.00	32.26	17 mm	Metric
DAJCM1305-0606	9/16"-18	9/16"-18	14.12	9.93	7.54	7.54	33.00	17 mm	Metric
DAJCM1305-0608	9/16"-18	3/4"-16	14.12	11.13	7.54	9.93	35.05	22 mm	Metric
DAJCM1305-0610	9/16"-18	7/8"-14	14.12	12.70	7.54	12.29	38.00	27 mm	Metric
DAJCM1305-0612	9/16"-18	1-1/16"-12	14.12	15.09	7.54	15.47	42.22	32 mm	Metric
DAJCM1305-0614	9/16"-18	1-3/16"-12	14.12	15.09	7.54	18.26	43.50	36 mm	Metric
DAJCM1305-0616	9/16"-18	1-5/16"-12	14.12	15.09	7.54	21.44	42.93	41 mm	Metric
DAJCM1305-0602IN	9/16"-18	5/16"-24	14.12	7.54	7.54	1.60	29.80	5/8"	Imperial
DAJCM1305-0603IN	9/16"-18	3/8"-24	14.12	7.54	7.54	3.18	30.80	5/8"	Imperial
DAJCM1305-0604IN	9/16"-18	7/16"-20	14.12	9.14	7.54	4.37	32.30	5/8"	Imperial
DAJCM1305-0605IN	9/16"-18	1/2"-20	14.12	9.14	7.54	6.00	32.26	5/8"	Imperial
DAJCM1305-0606IN	9/16"-18	9/16"-18	14.12	9.93	7.54	7.54	33.00	11/16"	Imperial
DAJCM1305-0608IN	9/16"-18	3/4"-16	14.12	11.13	7.54	9.93	35.05	7/8"	Imperial
DAJCM1305-0610IN	9/16"-18	7/8"-14	14.12	12.70	7.54	12.29	38.00	1"	Imperial
DAJCM1305-0612IN	9/16"-18	1-1/16"-12	14.12	15.09	7.54	15.47	42.22	1-1/4"	Imperial
DAJCM1305-0614IN	9/16"-18	1-3/16"-12	14.12	15.09	7.54	18.26	43.50	1-3/8"	Imperial
DAJCM1305-0616IN	9/16"-18	1-5/16"-12	14.12	15.09	7.54	21.44	42.93	1-1/2"	Imperial
DAJCM1305-0804	3/4"-16	7/16"-20	16.69	9.14	9.93	4.37	37.90	22 mm	Metric
DAJCM1305-0806	3/4"-16	9/16"-18	16.69	9.93	9.93	7.54	36.60	22 mm	Metric
DAJCM1305-0808	3/4"-16	3/4"-16	16.69	11.13	9.93	9.93	37.59	22 mm	Metric
DAJCM1305-0810	3/4"-16	7/8"-14	16.69	12.70	9.93	12.29	40.62	27 mm	Metric
DAJCM1305-0812	3/4"-16	1-1/16"-12	16.69	15.09	9.93	15.47	44.70	32 mm	Metric
DAJCM1305-0814	3/4"-16	1-3/16"-12	16.69	15.09	9.93	18.26	44.70	36 mm	Metric
DAJCM1305-0816	3/4"-16	1-5/16"-12	16.69	15.09	9.93	21.44	45.50	41 mm	Metric
DAJCM1305-0820	3/4"-16	1-5/8"-12	16.69	15.09	9.93	27.38	47.50	50 mm	Metric
DAJCM1305-0804IN	3/4"-16	7/16"-20	16.69	9.14	9.93	4.37	37.90	13/16"	Imperial
DAJCM1305-0806IN	3/4"-16	9/16"-18	16.69	9.93	9.93	7.54	36.60	13/16"	Imperial
DAJCM1305-0808IN	3/4"-16	3/4"-16	16.69	11.13	9.93	9.93	37.59	7/8"	Imperial
DAJCM1305-0810IN	3/4"-16	7/8"-14	16.69	12.70	9.93	12.29	40.62	1"	Imperial
DAJCM1305-0812IN	3/4"-16	1-1/16"-12	16.69	15.09	9.93	15.47	44.70	1-1/4"	Imperial
DAJCM1305-0814IN	3/4"-16	1-3/16"-12	16.69	15.09	9.93	18.26	44.70	1-3/8"	Imperial
DAJCM1305-0816IN	3/4"-16	1-5/16"-12	16.69	15.09	9.93	21.44	45.50	1-1/2"	Imperial
DAJCM1305-0820IN	3/4"-16	1-5/8"-12	16.69	15.09	9.93	27.38	47.50	1-7/8"	Imperial
DAJCM1305-1006	7/8"-14	9/16"-18	19.25	9.93	12.29	7.54	43.43	24 mm	Metric
DAJCM1305-1008	7/8"-14	3/4"-16	19.25	11.13	12.29	9.93	41.66	24 mm	Metric
DAJCM1305-1010	7/8"-14	7/8"-14	19.25	12.70	12.29	12.29	43.20	27 mm	Metric
DAJCM1305-1012	7/8"-14	1-1/16"-12	19.25	15.09	12.29	15.47	47.24	32 mm	Metric
DAJCM1305-1014	7/8"-14	1-3/16"-12	19.25	15.09	12.29	18.26	47.30	36 mm	Metric
DAJCM1305-1016	7/8"-14	1-5/16"-12	19.25	15.09	12.29	21.44	48.00	41 mm	Metric
DAJCM1305-1020	7/8"-14	1-5/8"-12	19.25	15.09	12.29	27.38	50.00	50 mm	Metric
DAJCM1305-1006IN	7/8"-14	9/16"-18	19.25	9.93	12.29	7.54	43.43	15/16"	Imperial
DAJCM1305-1008IN	7/8"-14	3/4"-16	19.25	11.13	12.29	9.93	41.66	15/16"	Imperial



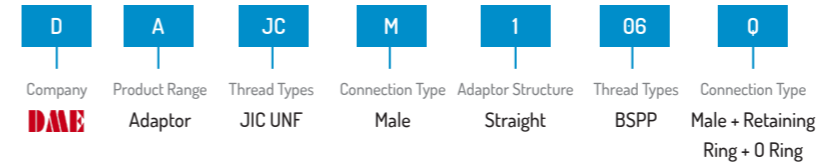
Web: <https://www.dmejde.com>
E-mail: info@dmejde.com



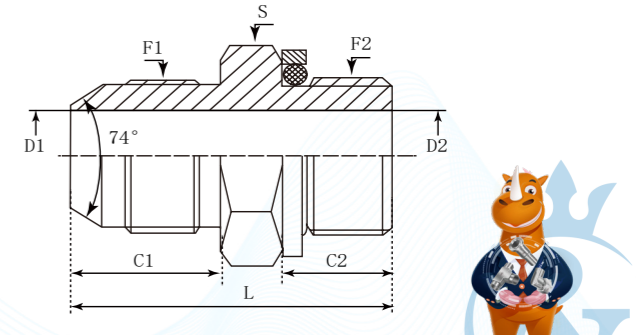
DAJCM1305-1010IN	7/8"-14	7/8"-14	19.25	12.70	12.29	12.29	43.20	1"	Imperial
DAJCM1305-1012IN	7/8"-14	1-1/16"-12	19.25	15.09	12.29	15.47	47.24	1-1/4"	Imperial
DAJCM1305-1014IN	7/8"-14	1-3/16"-12	19.25	15.09	12.29	18.26	47.30	1-3/8"	Imperial
DAJCM1305-1016IN	7/8"-14	1-5/16"-12	19.25	15.09	12.29	21.44	48.00	1-1/2"	Imperial
DAJCM1305-1020IN	7/8"-14	1-5/8"-12	19.25	15.09	12.29	27.38	50.00	1-7/8"	Imperial
DAJCM1305-1204	1-1/16"-12	7/16"-20	21.95	9.14	15.47	4.37	46.40	30 mm	Metric
DAJCM1305-1206	1-1/16"-12	9/16"-18	21.95	9.93	15.47	7.54	47.20	30 mm	Metric
DAJCM1305-1208	1-1/16"-12	3/4"-16	21.95	11.13	15.47	9.93	49.30	30 mm	Metric
DAJCM1305-1210	1-1/16"-12	7/8"-14	21.95	12.70	15.47	12.29	47.80	30 mm	Metric
DAJCM1305-1212	1-1/16"-12	1-1/16"-12	21.95	15.09	15.47	15.47	50.04	32 mm	Metric
DAJCM1305-1214	1-1/16"-12	1-3/16"-12	21.95	15.09	15.47	18.26	49.78	36 mm	Metric
DAJCM1305-1216	1-1/16"-12	1-5/16"-12	21.95	15.09	15.47	21.44	50.60	41 mm	Metric
DAJCM1305-1220	1-1/16"-12	1-5/8"-12	21.95	15.09	15.47	27.38	52.80	50 mm	Metric
DAJCM1305-1224	1-1/16"-12	1-7/8"-12	21.95	15.09	15.47	33.32	55.60	55 mm	Metric
DAJCM1305-1204IN	1-1/16"-12	7/16"-20	21.95	9.14	15.47	4.37	46.40	1-1/8"	Imperial
DAJCM1305-1206IN	1-1/16"-12	9/16"-18	21.95	9.93	15.47	7.54	47.20	1-1/8"	Imperial
DAJCM1305-1208IN	1-1/16"-12	3/4"-16	21.95	11.13	15.47	9.93	49.30	1-1/8"	Imperial
DAJCM1305-1210IN	1-1/16"-12	7/8"-14	21.95	12.70	15.47	12.29	47.80	1-1/8"	Imperial
DAJCM1305-1212IN	1-1/16"-12	1-1/16"-12	21.95	15.09	15.47	15.47	50.04	1-1/4"	Imperial
DAJCM1305-1214IN	1-1/16"-12	1-3/16"-12	21.95	15.09	15.47	18.26	49.78	1-3/8"	Imperial
DAJCM1305-1216IN	1-1/16"-12	1-5/16"-12	21.95	15.09	15.47	21.44	50.60	1-1/2"	Imperial
DAJCM1305-1220IN	1-1/16"-12	1-5/8"-12	21.95	15.09	15.47	27.38	52.80	1-7/8"	Imperial
DAJCM1305-1224IN	1-1/16"-12	1-7/8"-12	21.95	15.09	15.47	33.32	55.60	2-1/8"	Imperial
DAJCM1305-1412	1-3/16"-12	1-1/16"-12	23.00	15.09	18.00	15.47	50.60	32 mm	Metric
DAJCM1305-1414	1-3/16"-12	1-3/16"-12	22.61	15.09	18.26	18.26	50.60	36 mm	Metric
DAJCM1305-1416	1-3/16"-12	1-5/16"-12	23.00	15.09	18.00	21.44	51.30	41 mm	Metric
DAJCM1305-1412IN	1-3/16"-12	1-1/16"-12	23.00	15.09	18.00	15.47	50.60	1-1/4"	Imperial
DAJCM1305-1414IN	1-3/16"-12	1-3/16"-12	22.61	15.09	18.26	18.26	50.60	1-3/8"	Imperial
DAJCM1305-1416IN	1-3/16"-12	1-5/16"-12	23.00	15.09	18.00	21.44	51.30	1-1/2"	Imperial
DAJCM1305-1606IN	1-5/16"-12	9/16"-18	23.14	9.93	21.44	7.54	49.00	1-3/8"	Imperial
DAJCM1305-1608IN	1-5/16"-12	3/4"-16	23.14	11.13	21.44	9.93	51.10	1-3/8"	Imperial
DAJCM1305-1610IN	1-5/16"-12	7/8"-14	23.14	12.70	21.44	12.29	52.58	1-3/8"	Imperial
DAJCM1305-1612IN	1-5/16"-12	1-1/16"-12	23.14	15.09	21.44	15.47	51.80	1-3/8"	Imperial
DAJCM1305-1614IN	1-5/16"-12	1-3/16"-12	23.14	15.09	21.44	18.26	51.82	1-3/8"	Imperial
DAJCM1305-1616IN	1-5/16"-12	1-5/16"-12	23.14	15.09	21.44	21.44	51.80	1-1/2"	Imperial
DAJCM1305-1620IN	1-5/16"-12	1-5/8"-12	23.14	15.09	21.44	27.38	53.90	1-7/8"	Imperial
DAJCM1305-1624IN	1-5/16"-12	1-7/8"-12	23.14	15.09	21.44	33.32	56.39	2-1/8"	Imperial
DAJCM1305-2012	1-5/8"-12	1-1/16"-12	24.33	15.09	27.38	15.47	58.40	46 mm	Metric
DAJCM1305-2016	1-5/8"-12	1-5/16"-12	24.33	15.09	27.38	21.44	59.20	46 mm	Metric
DAJCM1305-2020	1-5/8"-12	1-5/8"-12	24.33	15.09	27.38	27.38	55.10	50 mm	Metric
DAJCM1305-2024	1-5/8"-12	1-7/8"-12	24.33	15.09	27.38	33.32	56.90	55 mm	Metric
DAJCM1305-2032	1-5/8"-12	2-1/2"-12	24.33	15.09	27.38	45.25	59.10	70 mm	Metric
DAJCM1305-2012IN	1-5/8"-12	1-1/16"-12	24.33	15.09	27.38	15.47	58.40	1-11/16"	Imperial
DAJCM1305-2016IN	1-5/8"-12	1-5/16"-12	24.33	15.09	27.38	21.44	59.20	1-11/16"	Imperial
DAJCM1305-2020IN	1-5/8"-12	1-5/8"-12	24.33	15.09	27.38	27.38	55.10	1-7/8"	Imperial
DAJCM1305-2024IN	1-5/8"-12	1-7/8"-12	24.33	15.09	27.38	33.32	56.90	2-1/8"	Imperial
DAJCM1305-2032IN	1-5/8"-12	2-1/2"-12	24.33	15.09	27.38	45.25	59.10	2-3/4"	Imperial
DAJCM1305-2420	1-7/8"-12	1-5/8"-12	27.51	15.09	33.32	27.38	64.26	50 mm	Metric
DAJCM1305-2424	1-7/8"-12	1-7/8"-12	27.51	15.09	33.32	33.32	60.20	55 mm	Metric
DAJCM1305-2420IN	1-7/8"-12	1-5/8"-12	27.51	15.09	33.32	27.38	64.26	2"	Imperial
DAJCM1305-2424IN	1-7/8"-12	1-7/8"-12	27.51	15.09	33.32	33.32	60.20	2-1/8"	Imperial
DAJCM1305-3216	2-1/2"-12	1-5/16"-12	33.86	15.09	45.24	21.44	74.70	65 mm	Metric
DAJCM1305-3220	2-1/2"-12	1-5/8"-12	33.86	15.09	45.24	27.38	74.70	65 mm	Metric
DAJCM1305-3224	2-1/2"-12	1-7/8"-12	33.86	15.09	45.24	33.32	74.68	65 mm	Metric
DAJCM1305-3232	2-1/2"-12	2-1/2"-12	33.86	15.09	45.24	45.24	70.60	70 mm	Metric
DAJCM1305-3216IN	2-1/2"-12	1-5/16"-12	33.86	15.09	45.24	21.44	74.70	2-5/8"	Imperial
DAJCM1305-3220IN	2-1/2"-12	1-5/8"-12	33.86	15.09	45.24	27.38	74.70	2-5/8"	Imperial
DAJCM1305-3224IN	2-1/2"-12	1-7/8"-12	33.86	15.09	45.24	33.32	74.68	2-5/8"	Imperial
DAJCM1305-3232IN	2-1/2"-12	2-1/2"-12	33.86	15.09	45.24	45.24	70.60	2-3/4"	Imperial

DAJCM106Q

Straight JIC Male - BSPP Male + Retaining Ring + O Ring Seal



- DME&JDE Code:** DAJCM106Q
- Product Type:** Hydraulic adaptor
- Standard:** JIC and SAE-ORB
- Structure:** Straight
- Connection Type:** Male x Male
- Thread Types:** UNF x BSPP
- Sealing Method:** Retaining Ring + O Ring

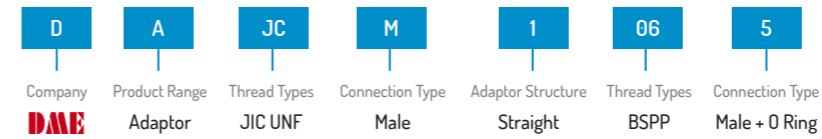


PART NUMBER	F1 (Thread)	F2 (Thread)	C1	C2	D1	D2	L	S
#	UNF	BSPP	mm	mm	mm	mm	mm	mm
DAJCM106Q-0402	7/16"-20	1/8"-28	13.97	7.60	4.37	4.37	30.00	14.00
DAJCM106Q-0404	7/16"-20	1/4"-19	13.97	11.20	4.37	7.50	35.00	19.00
DAJCM106Q-0406	7/16"-20	3/8"-19	13.97	11.20	4.37	9.90	35.00	22.00
DAJCM106Q-0408	7/16"-20	1/2"-14	13.97	14.50	4.37	12.30	38.00	30.00
DAJCM106Q-0412	7/16"-20	3/4"-14	13.97	14.50	4.37	15.50	39.50	36.00
DAJCM106Q-0502	1/2"-20	1/8"-28	13.97	7.60	5.94	4.40	30.00	14.00
DAJCM106Q-0504	1/2"-20	1/4"-19	13.97	11.20	5.94	5.94	34.00	19.00
DAJCM106Q-0506	1/2"-20	3/8"-19	13.97	11.20	5.94	9.90	34.50	22.00
DAJCM106Q-0508	1/2"-20	1/2"-14	13.97	14.50	5.94	12.30	37.50	27.00
DAJCM106Q-0602	9/16"-18	1/8"-28	14.12	7.60	7.54	4.40	29.50	17.00
DAJCM106Q-0604	9/16"-18	1/4"-19	14.12	11.20	7.50	7.50	32.00	19.00
DAJCM106Q-0606	9/16"-18	3/8"-19	14.12	11.20	7.54	9.90	34.50	22.00
DAJCM106Q-0608	9/16"-18	1/2"-14	14.12	14.50	7.54	12.30	38.00	27.00
DAJCM106Q-0612	9/16"-18	3/4"-14	14.12	14.50	7.54	15.50	39.50	36.00
DAJCM106Q-0804	3/4"-16	1/4"-19	16.69	11.20	9.93	7.50	35.00	19.00
DAJCM106Q-0806	3/4"-16	3/8"-19	16.69	11.20	9.93	9.93	36.00	22.00
DAJCM106Q-0808	3/4"-16	1/2"-14	16.69	14.50	9.93	12.30	41.50	27.00
DAJCM106Q-0810	3/4"-16	5/8"-14	16.69	14.50	9.93	14.00	42.50	32.00
DAJCM106Q-0812	3/4"-16	3/4"-14	16.69	14.50	9.93	15.50	45.00	36.00
DAJCM106Q-0816	3/4"-16	1"-11	16.69	18.60	9.93	21.50	48.00	46.00

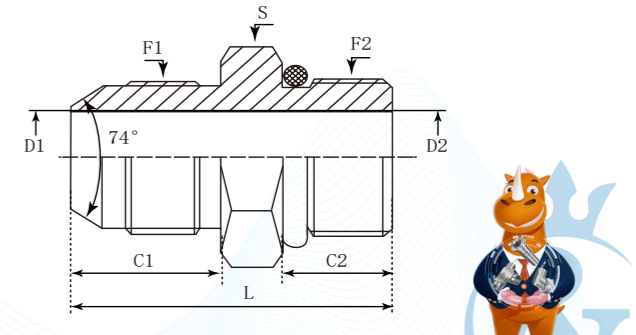
DAJCM106Q-0820	3/4"-16	1-1/4"-11	16.69	18.60	9.93	27.50	50.50	50.00
DAJCM106Q-1004	7/8"-14	1/4"-19	19.25	11.20	12.29	7.50	40.50	24.00
DAJCM106Q-1006	7/8"-14	3/8"-19	19.25	11.20	12.29	9.90	40.50	24.00
DAJCM106Q-1008	7/8"-14	1/2"-14	19.25	14.50	12.30	12.30	44.00	27.00
DAJCM106Q-1010	7/8"-14	5/8"-14	19.25	14.50	12.29	12.29	45.50	32.00
DAJCM106Q-1012	7/8"-14	3/4"-14	19.25	14.50	12.29	15.50	46.50	36.00
DAJCM106Q-1016	7/8"-14	1"-11	19.25	18.60	12.29	21.50	51.00	46.00
DAJCM106Q-1204	1-1/16"-12	1/4"-19	21.95	11.20	21.95	11.20	43.50	30.00
DAJCM106Q-1206	1-1/16"-12	3/8"-19	21.95	11.20	15.47	9.90	43.50	30.00
DAJCM106Q-1208	1-1/16"-12	1/2"-14	21.95	14.50	15.47	12.00	46.00	30.00
DAJCM106Q-1210	1-1/16"-12	5/8"-14	21.95	14.50	15.47	14.00	48.00	32.00
DAJCM106Q-1212	1-1/16"-12	3/4"-14	21.95	14.50	15.47	15.47	49.20	36.00
DAJCM106Q-1216	1-1/16"-12	1"-11	21.95	18.60	15.47	21.50	52.00	46.00
DAJCM106Q-1220	1-1/16"-12	1-1/4"-11	21.95	18.60	15.47	27.50	56.00	50.00
DAJCM106Q-1224	1-1/16"-12	1-1/2"-11	21.95	18.60	15.47	33.00	55.00	55.00
DAJCM106Q-1412	1-3/16"-12	3/4"-14	23.00	14.50	18.00	15.50	51.50	36.00
DAJCM106Q-1608	1-5/16"-12	1/2"-14	23.14	14.50	21.44	12.00	51.00	36.00
DAJCM106Q-1610	1-5/16"-12	5/8"-14	23.14	14.50	21.44	14.00	51.00	36.00
DAJCM106Q-1612	1-5/16"-12	3/4"-14	23.14	14.50	21.44	15.50	48.50	36.00
DAJCM106Q-1616	1-5/16"-12	1"-11	23.14	18.60	21.44	21.44	53.50	46.00
DAJCM106Q-1620	1-5/16"-12	1-1/4"-11	23.14	18.60	21.44	27.50	57.00	50.00
DAJCM106Q-1624	1-5/16"-12	1-1/2"-11	23.14	18.60	21.44	33.00	56.00	55.00
DAJCM106Q-2012	1-5/8"-12	3/4"-14	24.33	14.50	27.38	15.50	51.00	46.00
DAJCM106Q-2016	1-5/8"-12	1"-11	24.33	18.60	27.38	21.50	55.00	46.00
DAJCM106Q-2020	1-5/8"-12	1-1/4"-11	24.33	18.60	27.38	27.38	57.00	50.00
DAJCM106Q-2024	1-5/8"-12	1-1/2"-11	24.33	18.60	27.38	33.00	57.50	55.00
DAJCM106Q-2032	1-5/8"-12	2"-11	24.33	18.60	27.38	45.00	60.50	70.00
DAJCM106Q-2416	1-7/8"-12	1"-11	27.51	18.60	33.32	21.50	59.50	50.00
DAJCM106Q-2420	1-7/8"-12	1-1/4"-11	27.51	18.60	33.32	27.50	61.50	55.00
DAJCM106Q-2424	1-7/8"-12	1-1/2"-11	27.51	18.60	33.00	33.00	61.50	55.00
DAJCM106Q-2432	1-7/8"-12	2"-11	27.51	18.60	33.32	45.00	63.50	70.00
DAJCM106Q-3216	2-1/2"-12	1"-11	33.86	18.60	45.25	21.50	69.10	65.00
DAJCM106Q-3220	2-1/2"-12	1-1/4"-11	33.86	18.60	45.25	27.50	69.10	65.00
DAJCM106Q-3224	2-1/2"-12	1-1/2"-11	33.86	18.60	45.25	33.00	69.10	65.00
DAJCM106Q-3232	2-1/2"-12	2"-11	33.86	18.60	45.00	45.00	70.00	70.00

DAJCM1065

Straight Connector JIC Male – BSPP Male + O Ring Seal



- DME&JDE Code:** DAJCM1065
- Product Type:** Hydraulic adaptor
- Standard:** JIC and SAE-ORB
- Structure:** Straight
- Connection Type:** Male x Male
- Thread Types:** UNF x BSPP
- Sealing Method:** O Ring



PART NUMBER	F1 (Thread)	F2 (Thread)	C1	C2	D1	D2	L	S
#	UNF	BSPP	mm	mm	mm	mm	mm	mm
DAJCM1065-0402	7/16"-20	1/8"-28	13.97	7.60	4.37	4.37	30.00	14.00
DAJCM1065-0404	7/16"-20	1/4"-19	13.97	11.20	4.37	7.50	35.00	19.00
DAJCM1065-0406	7/16"-20	3/8"-19	13.97	11.20	4.37	9.90	35.00	22.00
DAJCM1065-0408	7/16"-20	1/2"-14	13.97	14.50	4.37	12.30	38.00	30.00
DAJCM1065-0412	7/16"-20	3/4"-14	13.97	14.50	4.37	15.50	39.50	36.00
DAJCM1065-0502	1/2"-20	1/8"-28	13.97	7.60	5.94	4.40	30.00	14.00
DAJCM1065-0504	1/2"-20	1/4"-19	13.97	11.20	5.94	5.94	34.00	19.00
DAJCM1065-0506	1/2"-20	3/8"-19	13.97	11.20	5.94	9.90	34.50	22.00
DAJCM1065-0508	1/2"-20	1/2"-14	13.97	14.50	5.94	12.30	37.50	27.00
DAJCM1065-0602	9/16"-18	1/8"-28	14.12	7.60	7.54	4.40	29.50	17.00
DAJCM1065-0604	9/16"-18	1/4"-19	14.12	11.20	7.50	7.50	32.00	19.00
DAJCM1065-0606	9/16"-18	3/8"-19	14.12	11.20	7.54	9.90	34.50	22.00
DAJCM1065-0608	9/16"-18	1/2"-14	14.12	14.50	7.54	12.30	38.00	27.00
DAJCM1065-0612	9/16"-18	3/4"-14	14.12	14.50	7.54	15.50	39.50	36.00
DAJCM1065-0804	3/4"-16	1/4"-19	16.69	11.20	9.93	7.50	35.00	19.00
DAJCM1065-0806	3/4"-16	3/8"-19	16.69	11.20	9.93	9.93	36.00	22.00
DAJCM1065-0808	3/4"-16	1/2"-14	16.69	14.50	9.93	12.30	41.50	27.00
DAJCM1065-0810	3/4"-16	5/8"-14	16.69	14.50	9.93	14.00	42.50	32.00
DAJCM1065-0812	3/4"-16	3/4"-14	16.69	14.50	9.93	15.50	45.00	36.00
DAJCM1065-0816	3/4"-16	1"-11	16.69	18.60	9.93	21.50	48.00	46.00

DAJCM1065-0820	3/4"-16	1-1/4"-11	16.69	18.60	9.93	27.50	50.50	50.00
DAJCM1065-1004	7/8"-14	1/4"-19	19.25	11.20	12.29	7.50	40.50	24.00
DAJCM1065-1006	7/8"-14	3/8"-19	19.25	11.20	12.29	9.90	40.50	24.00
DAJCM1065-1008	7/8"-14	1/2"-14	19.25	14.50	12.30	12.30	44.00	27.00
DAJCM1065-1010	7/8"-14	5/8"-14	19.25	14.50	12.29	12.29	45.50	32.00
DAJCM1065-1012	7/8"-14	3/4"-14	19.25	14.50	12.29	15.50	46.50	36.00
DAJCM1065-1016	7/8"-14	1"-11	19.25	18.60	12.29	21.50	51.00	46.00
DAJCM1065-1204	1-1/16"-12	1/4"-19	21.95	11.20	21.95	11.20	43.50	30.00
DAJCM1065-1206	1-1/16"-12	3/8"-19	21.95	11.20	15.47	9.90	43.50	30.00
DAJCM1065-1208	1-1/16"-12	1/2"-14	21.95	14.50	15.47	12.00	46.00	30.00
DAJCM1065-1210	1-1/16"-12	5/8"-14	21.95	14.50	15.47	14.00	48.00	32.00
DAJCM1065-1212	1-1/16"-12	3/4"-14	21.95	14.50	15.47	15.47	49.20	36.00
DAJCM1065-1216	1-1/16"-12	1"-11	21.95	18.60	15.47	21.50	52.00	46.00
DAJCM1065-1220	1-1/16"-12	1-1/4"-11	21.95	18.60	15.47	27.50	56.00	50.00
DAJCM1065-1224	1-1/16"-12	1-1/2"-11	21.95	18.60	15.47	33.00	55.00	55.00
DAJCM1065-1412	1-3/16"-12	3/4"-14	23.00	14.50	18.00	15.50	51.50	36.00
DAJCM1065-1608	1-5/16"-12	1/2"-14	23.14	14.50	21.44	12.00	51.00	36.00
DAJCM1065-1610	1-5/16"-12	5/8"-14	23.14	14.50	21.44	14.00	51.00	36.00
DAJCM1065-1612	1-5/16"-12	3/4"-14	23.14	14.50	21.44	15.50	48.50	36.00
DAJCM1065-1616	1-5/16"-12	1"-11	23.14	18.60	21.44	21.44	53.50	46.00
DAJCM1065-1620	1-5/16"-12	1-1/4"-11	23.14	18.60	21.44	27.50	57.00	50.00
DAJCM1065-1624	1-5/16"-12	1-1/2"-11	23.14	18.60	21.44	33.00	56.00	55.00
DAJCM1065-2012	1-5/8"-12	3/4"-14	24.33	14.50	27.38	15.50	51.00	46.00
DAJCM1065-2016	1-5/8"-12	1"-11	24.33	18.60	27.38	21.50	55.00	46.00
DAJCM1065-2020	1-5/8"-12	1-1/4"-11	24.33	18.60	27.38	27.38	57.00	50.00
DAJCM1065-2024	1-5/8"-12	1-1/2"-11	24.33	18.60	27.38	33.00	57.50	55.00
DAJCM1065-2032	1-5/8"-12	2"-11	24.33	18.60	27.38	45.00	60.50	70.00
DAJCM1065-2416	1-7/8"-12	1"-11	27.51	18.60	33.32	21.50	59.50	50.00
DAJCM1065-2420	1-7/8"-12	1-1/4"-11	27.51	18.60	33.32	27.50	61.50	55.00
DAJCM1065-2424	1-7/8"-12	1-1/2"-11	27.51	18.60	33.00	33.00	61.50	55.00
DAJCM1065-2432	1-7/8"-12	2"-11	27.51	18.60	33.32	45.00	63.50	70.00
DAJCM1065-3216	2-1/2"-12	1"-11	33.86	18.60	45.25	21.50	69.10	65.00
DAJCM1065-3220	2-1/2"-12	1-1/4"-11	33.86	18.60	45.25	27.50	69.10	65.00
DAJCM1065-3224	2-1/2"-12	1-1/2"-11	33.86	18.60	45.25	33.00	69.10	65.00
DAJCM1065-3232	2-1/2"-12	2"-11	33.86	18.60	45.00	45.00	70.00	70.00



DAJCM152Q

Straight JIC Male - Metric Male + Retaining Ring + O Ring Seal

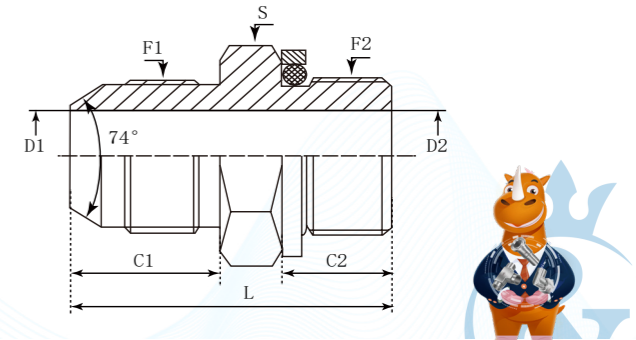
D	A	JC	M	1	52	0
Company	Product Range	Thread Types	Connection Type	Adaptor Structure	Thread Types	Connection Type
DME	Adaptor	JIC UNF	Male	Straight	Metric	Male + Retaining Ring + O Ring

German Technology Equipment

SHIELD FLEX

New-Standard

- DME&JDE Code:** DAJCM152Q
- Product Type:** Hydraulic adaptor
- Standard:** JIC and SAE-ORB
- Structure:** Straight
- Connection Type:** Male x Male
- Thread Types:** UNF x Metric
- Sealing Method:** Retaining Ring + O Ring



PART NUMBER	F1 (Thread)	F2 (Thread)	C1	C2	D1	D2	L	S
#	UNF	BSP	mm	mm	mm	mm	mm	mm
DAJCM152Q-0408	7/16"-20	M8X1	13.97	9.50	2.00	2.00	30.00	14.00
DAJCM152Q-0410	7/16"-20	M10X1	13.97	9.00	4.37	4.37	30.00	14.00
DAJCM152Q-0412	7/16"-20	M12X1.5	13.97	11.00	4.37	6.00	32.00	17.00
DAJCM152Q-0414	7/16"-20	M14X1.5	13.97	11.00	4.37	7.50	34.00	19.00
DAJCM152Q-0416	7/16"-20	M16X1.5	13.97	11.50	4.37	9.00	35.00	22.00
DAJCM152Q-0418	7/16"-20	M18X1.5	13.97	12.50	4.37	10.00	36.50	24.00
DAJCM152Q-0422	7/16"-20	M22X1.5	13.97	13.00	4.37	12.00	38.50	27.00
DAJCM152Q-0510	1/2"-20	M10X1	13.97	9.00	5.94	4.50	30.00	17.00
DAJCM152Q-0512	1/2"-20	M12X1.5	13.97	11.00	5.94	5.94	33.00	17.00
DAJCM152Q-0514	1/2"-20	M14X1.5	13.97	11.00	5.94	5.94	34.50	19.00
DAJCM152Q-0516	1/2"-20	M16X1.5	13.97	11.50	5.94	9.00	35.00	22.00
DAJCM152Q-0610	9/16"-18	M10X1	14.12	9.00	7.54	4.50	32.00	17.00
DAJCM152Q-0612	9/16"-18	M12X1.5	14.12	11.00	7.54	6.00	34.00	17.00
DAJCM152Q-0614	9/16"-18	M14X1.5	14.12	11.00	7.54	7.54	33.50	19.00
DAJCM152Q-0616	9/16"-18	M16X1.5	14.12	11.50	7.54	9.00	35.00	22.00
DAJCM152Q-0618	9/16"-18	M18X1.5	14.12	12.50	7.54	10.00	37.00	24.00
DAJCM152Q-0620	9/16"-18	M20X1.5	14.12	14.00	7.54	12.00	37.50	27.00



DAJCM152Q-0622	9/16"-18	M22X1.5	14.12	13.00	7.54	12.00	37.00	27.00
DAJCM152Q-0718	5/8"-18	M18X1.5	15.70	12.50	7.14	11.00	38.50	24.00
DAJCM152Q-0720	5/8"-18	M20X1.5	15.70	14.00	7.14	12.00	39.00	27.00
DAJCM152Q-0812	3/4"-16	M12X1.5	16.69	9.50	9.93	4.00	35.50	22.00
DAJCM152Q-0814	3/4"-16	M14X1.5	16.69	11.00	9.93	7.50	37.50	22.00
DAJCM152Q-0816	3/4"-16	M16X1.5	16.69	11.50	9.00	9.00	38.00	22.00
DAJCM152Q-0818	3/4"-16	M18X1.5	16.69	13.00	9.00	9.00	39.50	24.00
DAJCM152Q-0820	3/4"-16	M20X1.5	16.69	14.00	9.93	9.93	41.00	27.00
DAJCM152Q-0822	3/4"-16	M22X1.5	16.69	13.50	9.93	9.93	42.00	27.00
DAJCM152Q-0824	3/4"-16	M24X1.5	16.69	14.00	9.93	14.00	42.00	30.00
DAJCM152Q-0826	3/4"-16	M26X1.5	16.69	16.00	9.93	16.00	46.00	32.00
DAJCM152Q-1008	7/8"-14	M8X1	19.25	9.50	12.29	2.00	38.50	24.00
DAJCM152Q-1016	7/8"-14	M16X1.5	19.25	11.50	12.29	9.00	40.50	24.00
DAJCM152Q-1018	7/8"-14	M18X1.5	19.25	12.50	11.00	11.00	42.00	24.00
DAJCM152Q-1020	7/8"-14	M20X1.5	19.25	14.00	12.29	12.29	43.60	27.00
DAJCM152Q-1022	7/8"-14	M22X1.5	19.25	13.00	12.29	12.29	44.50	27.00
DAJCM152Q-1218	1-1/16"-12	M18X1.5	21.95	12.50	15.47	11.00	47.50	27.00
DAJCM152Q-1220	1-1/16"-12	M20X1.5	21.95	12.50	15.47	11.00	45.50	27.00
DAJCM152Q-1222	1-1/16"-12	M22X1.5	21.95	14.00	15.47	14.00	45.50	27.00
DAJCM152Q-1226	1-1/16"-12	M26X1.5	21.95	18.00	15.47	15.47	51.00	32.00
DAJCM152Q-1227	1-1/16"-12	M27X2	21.95	18.00	15.47	15.47	51.00	32.00
DAJCM152Q-1230	1-1/16"-12	M30X2	21.95	18.50	15.47	17.00	53.00	36.00
DAJCM152Q-1233	1-1/16"-12	M33X2	21.95	16.00	15.47	23.00	49.00	41.00
DAJCM152Q-1236	1-1/16"-12	M36X2	21.95	17.00	15.47	20.00	53.00	41.00
DAJCM152Q-1622	1-5/16"-12	M22X1.5	23.14	13.00	21.44	14.00	48.00	36.00
DAJCM152Q-1627	1-5/16"-12	M27X2	23.14	18.00	21.44	13.00	53.00	36.00
DAJCM152Q-1630	1-5/16"-12	M30X2	23.14	18.50	21.44	17.00	53.00	36.00
DAJCM152Q-1633	1-5/16"-12	M33X2	23.14	18.50	21.44	21.44	53.00	41.00
DAJCM152Q-1636	1-5/16"-12	M36X2	23.14	17.00	21.44	20.00	54.00	41.00
DAJCM152Q-2033	1-5/8"-12	M33X2	24.33	18.50	27.38	23.00	56.50	42.88
DAJCM152Q-2042	1-5/8"-12	M42X2	24.33	16.00	27.38	30.00	58.00	50.00

Web: <https://www.dmejde.com>
E-mail: info@dmejde.com



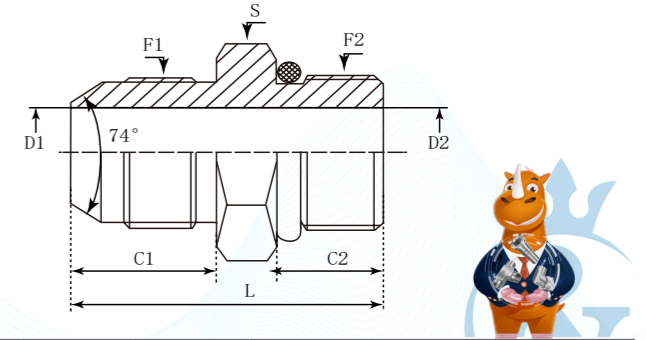
DAJCM1525



Straight Connector JIC Male - Metric Male + O Ring Seal

D	A	JC	M	1	52	5
Company	Product Range	Thread Types	Connection Type	Adaptor Structure	Thread Types	Connection Type
DME	Adaptor	JIC UNF	Male	Straight	Metric	Male + O Ring

- DME&JDE Code:** DAJCM1525
- Product Type:** Hydraulic adaptor
- Standard:** JIC and SAE-ORB
- Structure:** Straight
- Connection Type:** Male x Male
- Thread Types:** UNF x Metric
- Sealing Method:** O Ring



PART NUMBER	F1 (Thread)	F2 (Thread)	C1	C2	D1	D2	L	S
#	UNF	BSP	mm	mm	mm	mm	mm	mm
DAJCM1525-0408	7/16"-20	M8X1	13.97	9.50	2.00	2.00	30.00	14.00
DAJCM1525-0410	7/16"-20	M10X1	13.97	9.00	4.37	4.37	30.00	14.00
DAJCM1525-0412	7/16"-20	M12X1.5	13.97	11.00	4.37	6.00	32.00	17.00
DAJCM1525-0414	7/16"-20	M14X1.5	13.97	11.00	4.37	7.50	34.00	19.00
DAJCM1525-0416	7/16"-20	M16X1.5	13.97	11.50	4.37	9.00	35.00	22.00
DAJCM1525-0418	7/16"-20	M18X1.5	13.97	12.50	4.37	10.00	36.50	24.00
DAJCM1525-0422	7/16"-20	M22X1.5	13.97	13.00	4.37	12.00	38.50	27.00
DAJCM1525-0510	1/2"-20	M10X1	13.97	9.00	5.94	4.50	30.00	17.00
DAJCM1525-0512	1/2"-20	M12X1.5	13.97	11.00	5.94	5.94	33.00	17.00
DAJCM1525-0514	1/2"-20	M14X1.5	13.97	11.00	5.94	5.94	34.50	19.00
DAJCM1525-0516	1/2"-20	M16X1.5	13.97	11.50	5.94	9.00	35.00	22.00
DAJCM1525-0610	9/16"-18	M10X1	14.12	9.00	7.54	4.50	32.00	17.00
DAJCM1525-0612	9/16"-18	M12X1.5	14.12	11.00	7.54	6.00	34.00	17.00
DAJCM1525-0614	9/16"-18	M14X1.5	14.12	11.00	7.54	7.54	33.50	19.00
DAJCM1525-0616	9/16"-18	M16X1.5	14.12	11.50	7.54	9.00	35.00	22.00
DAJCM1525-0618	9/16"-18	M18X1.5	14.12	12.50	7.54	10.00	37.00	24.00
DAJCM1525-0620	9/16"-18	M20X1.5	14.12	14.00	7.54	12.00	37.50	27.00

Web: <https://www.dmejde.com>
E-mail: info@dmejde.com



DAJCM1525-0622	9/16"-18	M22X1.5	14.12	13.00	7.54	12.00	37.00	27.00
DAJCM1525-0718	5/8"-18	M18X1.5	15.70	12.50	7.14	11.00	38.50	24.00
DAJCM1525-0720	5/8"-18	M20X1.5	15.70	14.00	7.14	12.00	39.00	27.00
DAJCM1525-0812	3/4"-16	M12X1.5	16.69	9.50	9.93	4.00	35.50	22.00
DAJCM1525-0814	3/4"-16	M14X1.5	16.69	11.00	9.93	7.50	37.50	22.00
DAJCM1525-0816	3/4"-16	M16X1.5	16.69	11.50	9.00	9.00	38.00	22.00
DAJCM1525-0818	3/4"-16	M18X1.5	16.69	13.00	9.00	9.00	39.50	24.00
DAJCM1525-0820	3/4"-16	M20X1.5	16.69	14.00	9.93	9.93	41.00	27.00
DAJCM1525-0822	3/4"-16	M22X1.5	16.69	13.50	9.93	9.93	42.00	27.00
DAJCM1525-0824	3/4"-16	M24X1.5	16.69	14.00	9.93	14.00	42.00	30.00
DAJCM1525-0826	3/4"-16	M26X1.5	16.69	16.00	9.93	16.00	46.00	32.00
DAJCM1525-1008	7/8"-14	M8X1	19.25	9.50	12.29	2.00	38.50	24.00
DAJCM1525-1016	7/8"-14	M16X1.5	19.25	11.50	12.29	9.00	40.50	24.00
DAJCM1525-1018	7/8"-14	M18X1.5	19.25	12.50	11.00	11.00	42.00	24.00
DAJCM1525-1020	7/8"-14	M20X1.5	19.25	14.00	12.29	12.29	43.60	27.00
DAJCM1525-1022	7/8"-14	M22X1.5	19.25	13.00	12.29	12.29	44.50	27.00
DAJCM1525-1218	1-1/16"-12	M18X1.5	21.95	12.50	15.47	11.00	47.50	27.00
DAJCM1525-1220	1-1/16"-12	M20X1.5	21.95	12.50	15.47	11.00	45.50	27.00
DAJCM1525-1222	1-1/16"-12	M22X1.5	21.95	14.00	15.47	14.00	45.50	27.00
DAJCM1525-1226	1-1/16"-12	M26X1.5	21.95	18.00	15.47	15.47	51.00	32.00
DAJCM1525-1227	1-1/16"-12	M27X2	21.95	18.00	15.47	15.47	51.00	32.00
DAJCM1525-1230	1-1/16"-12	M30X2	21.95	18.50	15.47	17.00	53.00	36.00
DAJCM1525-1233	1-1/16"-12	M33X2	21.95	16.00	15.47	23.00	49.00	41.00
DAJCM1525-1236	1-1/16"-12	M36X2	21.95	17.00	15.47	20.00	53.00	41.00
DAJCM1525-1622	1-5/16"-12	M22X1.5	23.14	13.00	21.44	14.00	48.00	36.00
DAJCM1525-1627	1-5/16"-12	M27X2	23.14	18.00	21.44	13.00	53.00	36.00
DAJCM1525-1630	1-5/16"-12	M30X2	23.14	18.50	21.44	17.00	53.00	36.00
DAJCM1525-1633	1-5/16"-12	M33X2	23.14	18.50	21.44	21.44	53.00	41.00
DAJCM1525-1636	1-5/16"-12	M36X2	23.14	17.00	21.44	20.00	54.00	41.00
DAJCM1525-2033	1-5/8"-12	M33X2	24.33	18.50	27.38	23.00	56.50	42.88
DAJCM1525-2042	1-5/8"-12	M42X2	24.33	16.00	27.38	30.00	58.00	50.00

DAJCM1061

Straight Connector JIC Male – BSPP 60° Male with ED Ring

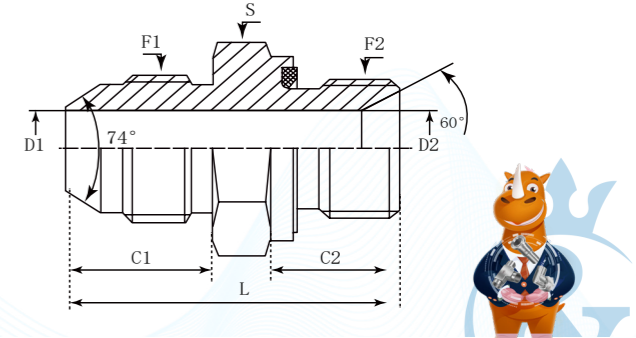
D	A	JC	M	1	061
Company	Product Range	Thread Types	Connection Type	Adaptor Structure	Thread Types
DME	Adaptor	JIC UNF	Male	Straight	BSPP Male with ED Ring

German Technology Equipment

SHIELD FLEX

New-Standard

- DME&JDE Code:** DAJCM1061
- Product Type:** Hydraulic adaptor
- Standard:** JIC and SAE-ORB
- Structure:** Straight
- Connection Type:** Male x Male
- Thread Types:** UNF x BSPP 60°
- Sealing Method:** ED Ring



PART NUMBER	F1 (Thread)	F2 (Thread)	C1	C2	D1	D2	L	S
#	UNF	BSPP	mm	mm	mm	mm	mm	mm
DAJCM1061-0402	7/16"-20	1/8"-28	13.97	8.00	4.00	4.00	29.00	14.00
DAJCM1061-0404	7/16"-20	1/4"-19	13.97	12.00	4.37	4.37	34.00	19.00
DAJCM1061-0406	7/16"-20	3/8"-19	13.97	12.00	4.37	7.90	34.00	22.00
DAJCM1061-0408	7/16"-20	1/2"-14	13.97	14.00	4.37	11.10	39.50	27.00
DAJCM1061-0502	1/2"-20	1/8"-28	13.97	8.00	5.94	4.00	30.50	17.00
DAJCM1061-0504	1/2"-20	1/4"-19	13.97	12.00	5.94	4.70	34.00	19.00
DAJCM1061-0506	1/2"-20	3/8"-19	13.97	12.00	5.94	7.90	36.00	22.00
DAJCM1061-0602	9/16"-18	1/8"-28	14.12	8.00	7.54	4.00	30.00	17.00
DAJCM1061-0604	9/16"-18	1/4"-19	14.12	12.00	6.00	6.00	34.00	19.00
DAJCM1061-0606	9/16"-18	3/8"-19	14.12	12.00	7.54	7.54	34.50	22.00
DAJCM1061-0608	9/16"-18	1/2"-14	14.12	14.00	7.54	12.00	38.00	27.00
DAJCM1061-0610	9/16"-18	5/8"-14	14.12	14.00	7.54	14.00	40.00	30.00
DAJCM1061-0612	9/16"-18	3/4"-14	14.12	16.00	7.54	16.70	45.00	32.00
DAJCM1061-0616	9/16"-18	1"-11	14.12	18.00	7.54	22.20	45.50	41.00
DAJCM1061-0804	3/4"-16	1/4"-19	16.69	12.00	9.93	6.00	38.50	19.00

DAJCM1061-0806	3/4"-16	3/8"-19	16.69	12.00	9.00	9.00	37.50	22.00
DAJCM1061-0808	3/4"-16	1/2"-14	16.69	14.00	9.93	12.00	39.50	27.00
DAJCM1061-0810	3/4"-16	5/8"-14	16.69	14.00	9.93	14.00	43.00	30.00
DAJCM1061-0812	3/4"-16	3/4"-14	16.69	16.00	9.93	16.70	46.70	32.00
DAJCM1061-0816	3/4"-16	1"-11	16.69	18.00	9.93	22.20	48.00	41.00
DAJCM1061-1006	7/8"-14	3/8"-19	19.25	12.00	12.29	7.90	41.30	24.00
DAJCM1061-1008	7/8"-14	1/2"-14	19.25	14.00	12.00	12.00	45.00	27.00
DAJCM1061-1010	7/8"-14	5/8"-14	19.25	14.00	12.29	12.29	45.30	30.00
DAJCM1061-1012	7/8"-14	3/4"-14	19.25	16.00	12.29	16.70	49.00	32.00
DAJCM1061-1016	7/8"-14	1"-11	19.25	18.00	12.29	22.20	50.80	41.00
DAJCM1061-1206	1-1/16"-12	3/8"-19	21.95	12.00	15.47	7.90	48.00	27.00
DAJCM1061-1208	1-1/16"-12	1/2"-14	21.95	14.00	15.47	12.00	48.00	27.00
DAJCM1061-1210	1-1/16"-12	5/8"-14	21.95	14.00	14.00	14.00	50.00	30.00
DAJCM1061-1212	1-1/16"-12	3/4"-14	21.95	16.00	15.47	15.47	52.00	32.00
DAJCM1061-1216	1-1/16"-12	1"-11	21.95	18.00	15.47	22.20	53.50	41.00
DAJCM1061-1220	1-1/16"-12	1-1/4"-11	21.95	20.00	15.47	28.60	56.00	50.00
DAJCM1061-1412	1-3/16"-12	3/4"-14	23.00	16.00	16.70	16.70	53.00	32.00
DAJCM1061-1612	1-5/16"-12	3/4"-14	23.14	16.00	21.44	16.70	52.50	36.00
DAJCM1061-1616	1-5/16"-12	1"-11	23.14	18.00	21.44	21.44	55.00	41.00
DAJCM1061-1620	1-5/16"-12	1-1/4"-11	23.14	20.00	21.44	28.60	57.50	50.00
DAJCM1061-1624	1-5/16"-12	1-1/2"-11	23.14	22.00	21.44	33.30	62.00	55.00
DAJCM1061-2012	1-5/8"-12	3/4"-14	24.33	16.00	27.38	16.70	54.50	46.00
DAJCM1061-2016	1-5/8"-12	1"-11	24.33	18.00	27.38	23.00	58.50	46.00
DAJCM1061-2020	1-5/8"-12	1-1/4"-11	24.33	20.00	27.38	27.38	58.50	50.00
DAJCM1061-2024	1-5/8"-12	1-1/2"-11	24.33	22.00	27.38	33.30	63.50	55.00
DAJCM1061-2420	1-7/8"-12	1-1/4"-11	27.51	20.00	33.32	30.00	62.00	50.00
DAJCM1061-2424	1-7/8"-12	1-1/2"-11	27.51	22.00	33.32	33.32	65.00	55.00
DAJCM1061-2432	1-7/8"-12	2"-11	27.51	22.00	33.32	45.25	68.00	70.00
DAJCM1061-3232	2-1/2"-12	2"-11	33.86	22.00	45.25	45.25	74.00	70.00



DAJCM1521

Straight Connector JIC Male – Metric Male with ED Ring

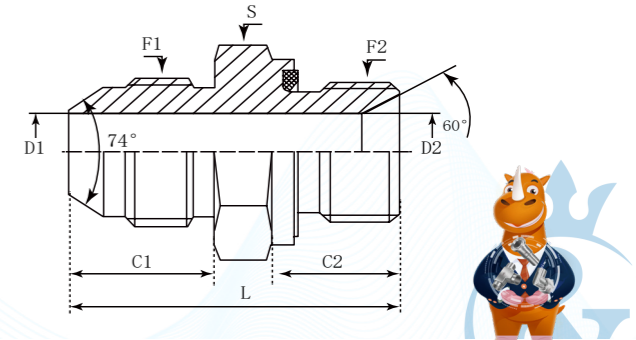
D	A	JC	M	1	521
Company	Product Range	Thread Types	Connection Type	Adaptor Structure	Connection Type
DME	Adaptor	JIC UNF	Male	Straight	Metric Male with ED Ring

German Technology Equipment

SHIELD FLEX

New-Standard

- DME&JDE Code:** DAJCM1521
- Product Type:** Hydraulic adaptor
- Standard:** JIC and SAE-ORB
- Structure:** Straight
- Connection Type:** Male x Male
- Thread Types:** UNF x Metric
- Sealing Method:** ED Ring



PART NUMBER	F1 (Thread)	F2 (Thread)	C1	C2	D1	D2	L	S
#	UNF	Metric	mm	mm	mm	mm	mm	mm
DAJCM1521-0408	7/16"-20	M8X1	13.97	8.00	3.00	3.00	31.00	14.00
DAJCM1521-0410	7/16"-20	M10X1	13.97	8.00	4.37	4.37	31.00	14.00
DAJCM1521-0412	7/16"-20	M12X1.5	13.97	12.00	4.37	4.37	34.00	17.00
DAJCM1521-0414	7/16"-20	M14X1.5	13.97	12.00	4.37	7.00	35.50	19.00
DAJCM1521-0416	7/16"-20	M16X1.5	13.97	12.00	4.37	4.37	36.50	22.00
DAJCM1521-0418	7/16"-20	M18X1.5	13.97	12.00	4.37	9.00	35.00	24.00
DAJCM1521-0422	7/16"-20	M22X1.5	13.97	14.00	4.37	12.00	38.50	27.00
DAJCM1521-0510	1/2"-20	M10X1	13.97	8.00	5.94	4.40	31.00	14.00
DAJCM1521-0514	1/2"-20	M14X1.5	13.97	12.00	5.94	5.94	33.00	19.00
DAJCM1521-0608	9/16"-18	M8X1	14.12	8.00	7.54	3.00	30.00	17.00
DAJCM1521-0610	9/16"-18	M10X1	14.12	8.00	7.54	4.40	30.00	17.00
DAJCM1521-0612	9/16"-18	M12X1.5	14.12	12.00	6.00	6.00	34.50	17.00
DAJCM1521-0614	9/16"-18	M14X1.5	14.12	12.00	7.00	7.00	33.00	19.00
DAJCM1521-0616	9/16"-18	M16X1.5	14.12	12.00	7.54	7.54	36.50	22.00
DAJCM1521-0618	9/16"-18	M18X1.5	14.12	12.00	7.54	7.54	35.00	24.00
DAJCM1521-0620	9/16"-18	M20X1.5	14.12	14.00	7.54	12.00	37.70	27.00
DAJCM1521-0622	9/16"-18	M22X1.5	14.12	14.00	7.54	12.00	38.20	27.00
DAJCM1521-0627	9/16"-18	M27X2	14.12	16.00	7.54	15.00	41.20	32.00

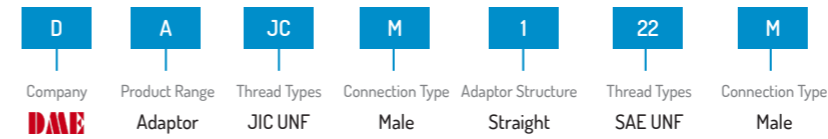


DAJCM1521-0812	3/4"-16	M12X1.5	16.69	12.00	9.93	6.00	38.50	19.00
DAJCM1521-0814	3/4"-16	M14X1.5	16.69	12.00	9.93	7.00	38.50	22.00
DAJCM1521-0816	3/4"-16	M16X1.5	16.69	12.00	9.00	9.00	37.70	22.00
DAJCM1521-0818	3/4"-16	M18X1.5	16.69	12.00	9.93	9.93	39.00	24.00
DAJCM1521-0822	3/4"-16	M22X1.5	16.69	14.00	9.93	12.00	40.70	27.00
DAJCM1521-0826	3/4"-16	M26X1.5	16.69	16.00	9.93	15.00	45.00	32.00
DAJCM1521-0827	3/4"-16	M27X1.5	16.69	16.00	9.93	15.00	44.00	32.00
DAJCM1521-0833	3/4"-16	M33X1.5	16.69	18.00	9.93	20.00	45.50	41.00
DAJCM1521-1016	7/8"-14	M16X1.5	19.25	12.00	12.29	9.00	41.00	24.00
DAJCM1521-1018	7/8"-14	M18X1.5	19.25	12.00	12.30	9.00	41.50	24.00
DAJCM1521-1022	7/8"-14	M22X1.5	19.25	14.00	12.29	12.29	43.50	27.00
DAJCM1521-1026	7/8"-14	M26X1.5	19.25	16.00	12.29	12.29	47.30	32.00
DAJCM1521-1027	7/8"-14	M27X2	19.25	16.00	12.29	12.29	47.30	32.00
DAJCM1521-1218	1-1/16"-12	M18X1.5	21.95	12.00	15.47	9.00	44.00	30.00
DAJCM1521-1220	1-1/16"-12	M20X1.5	21.95	14.00	15.47	12.00	46.00	27.00
DAJCM1521-1222	1-1/16"-12	M22X1.5	21.95	14.00	15.47	12.00	46.50	30.00
DAJCM1521-1226	1-1/16"-12	M26X1.5	21.95	16.00	15.47	15.47	50.00	32.00
DAJCM1521-1230	1-1/16"-12	M30X2	21.95	18.00	15.47	21.50	50.00	36.00
DAJCM1521-1233	1-5/16"-12	M33X2	21.95	18.00	15.47	20.00	50.50	41.00
DAJCM1521-1622	1-5/16"-12	M22X1.5	23.14	14.00	21.44	12.00	48.00	36.00
DAJCM1521-1626	1-5/16"-12	M26X1.5	23.14	16.00	21.44	13.00	50.00	36.00
DAJCM1521-1627	1-5/16"-12	M27X2	23.14	16.00	21.44	15.00	50.00	36.00
DAJCM1521-1630	1-5/16"-12	M30X2	23.14	18.00	21.44	21.44	51.00	36.00
DAJCM1521-1633	1-5/16"-12	M33X2	23.14	18.00	21.44	21.44	51.50	41.00
DAJCM1521-1642	1-5/16"-12	M42X2	23.14	20.00	21.44	25.00	59.00	50.00
DAJCM1521-2033	1-5/8"-11	M33X2	24.33	18.00	27.38	23.00	56.50	46.00
DAJCM1521-2042	1-5/8"-11	M42X2	24.33	20.00	27.38	27.38	59.50	50.00
DAJCM1521-2048	1-5/8"-11	M48X2	24.33	22.00	27.38	36.00	66.00	55.00
DAJCM1521-2442	1-7/8"-12	M42X2	27.51	20.00	33.32	28.60	63.50	50.00
DAJCM1521-2448	1-7/8"-12	M48X2	27.51	22.00	33.32	33.32	67.50	55.00



DAJCM122M

Straight Connector JIC Male – SAE Male Inverted Flare

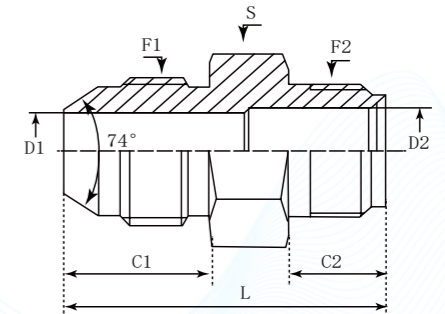


German Technology Equipment

SHIELD FLEX

New-Standard

- DME&JDE Code: **DAJCM122M**
- Product Type: **Hydraulic adaptor**
- Standard: **JIC and SAE-ORB**
- Structure: **Straight**
- Connection Type: **Male x Male**
- Thread Types: **UNF x UNF**



PART NUMBER	F1 (Thread)	F2 (Thread)	C1	C2	L	D1	D2	S	Hex
#	UNF	UNF	mm	mm	mm	mm	mm	-	-
DAJCM122M-0403	7/16"-20	3/8"-24	13.97	9.10	29.80	4.37	4.93	12 mm	Metric
DAJCM122M-0404	7/16"-20	7/16"-20	13.97	9.10	29.80	4.37	6.53	14 mm	Metric
DAJCM122M-0403IN	7/16"-20	3/8"-24	13.97	9.10	29.80	4.37	4.93	1/2"	Imperial
DAJCM122M-0404IN	7/16"-20	7/16"-20	13.97	9.10	29.80	4.37	6.53	9/16"	Imperial
DAJCM122M-0505	1/2"-20	1/2"-20	13.97	10.20	31.00	5.94	8.10	17 mm	Metric
DAJCM122M-0505IN	1/2"-20	1/2"-20	13.97	10.20	31.00	5.94	8.10	5/8"	Imperial
DAJCM122M-0605	9/16"-18	1/2"-20	14.12	10.20	31.20	7.54	7.54	17 mm	Metric
DAJCM122M-0606	9/16"-18	9/16"-24	14.12	10.20	31.20	7.54	7.54	17 mm	Metric
DAJCM122M-0607	9/16"-18	5/8"-18	14.12	10.20	32.20	7.54	9.70	17 mm	Metric
DAJCM122M-0605IN	9/16"-18	1/2"-20	14.12	10.20	31.20	7.54	7.54	5/8"	Imperial
DAJCM122M-0606IN	9/16"-18	9/16"-24	14.12	10.20	31.20	7.54	7.54	11/16"	Imperial
DAJCM122M-0607IN	9/16"-18	5/8"-18	14.12	10.20	32.20	7.54	9.70	11/16"	Imperial
DAJCM122M-0705	5/8"-18	1/2"-20	15.70	10.20	33.80	7.14	7.14	17 mm	Metric
DAJCM122M-0707	5/8"-18	5/8"-18	15.70	10.20	33.80	7.14	9.70	17 mm	Metric
DAJCM122M-0705IN	5/8"-18	1/2"-20	15.70	10.20	33.80	7.14	7.14	11/16"	Imperial
DAJCM122M-0707IN	5/8"-18	5/8"-18	15.70	10.20	33.80	7.14	9.70	11/16"	Imperial
DAJCM122M-0807	3/4"-16	5/8"-18	16.69	10.20	35.70	9.70	9.70	22 mm	Metric
DAJCM122M-0808	3/4"-16	3/4"-16	16.69	11.20	36.00	9.90	9.90	22 mm	Metric
DAJCM122M-0807IN	3/4"-16	5/8"-18	16.69	10.20	35.70	9.70	9.70	13/16"	Imperial
DAJCM122M-0808IN	3/4"-16	3/4"-16	16.69	11.20	36.00	9.90	9.90	7/8"	Imperial



DAJCM152M

Straight Connector JIC Male Cone – Metric Male 60° Cone

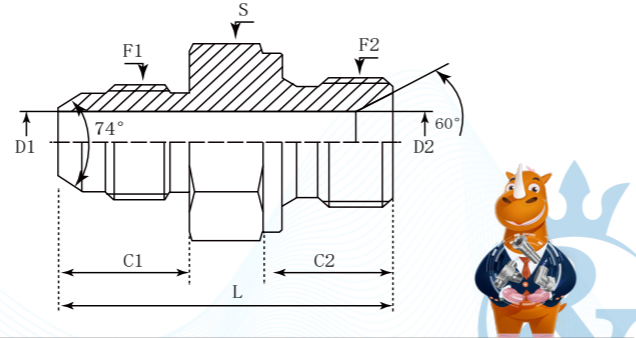
D	A	JC	M	1	52	M
Company	Product Range	Thread Types	Connection Type	Adaptor Structure	Thread Types	Connection Type
DME	Adaptor	JIC UNF	Male	Straight	Metric	Male

German Technology Equipment

SHIELD FLEX

New-Standard

- DME&JDE Code: **DAJCM152M**
- Product Type: **Hydraulic adaptor**
- Standard: **JIC and SAE-ORB**
- Structure: **Straight**
- Connection Type: **Male x Male**
- Thread Types: **UNF Conex Metric 60° Cone**



PART NUMBER	F1 (Thread)	F2 (Thread)	C1	C2	D1	D2	L	S
#	UNF	Metric	mm	mm	mm	mm	mm	-
DAJCM152M-0312	3/8"-24	M12X1.5	12.20	10.00	3.18	3.18	31.20	17.00
DAJCM152M-0406	7/16"-20	M6X1	13.97	8.00	4.37	2.00	29.50	12.00
DAJCM152M-0410	7/16"-20	M10X1	13.97	8.00	3.50	3.50	29.50	14.00
DAJCM152M-0412	7/16"-20	M12X1.5	13.97	10.00	4.00	4.00	31.50	17.00
DAJCM152M-0414	7/16"-20	M14X1.5	13.97	12.00	4.37	6.00	35.00	19.00
DAJCM152M-0612	9/16"-18	M12X1.5	14.12	10.00	7.54	4.00	31.50	17.00
DAJCM152M-0614	9/16"-18	M14X1.5	14.12	12.00	6.00	6.00	35.00	19.00
DAJCM152M-0616	9/16"-18	M16X1.5	14.12	12.00	7.54	7.54	35.50	22.00
DAJCM152M-0618	9/16"-18	M18X1.5	14.12	12.00	7.54	10.00	34.00	24.00
DAJCM152M-0620	9/16"-18	M20X1.5	14.12	14.00	7.54	12.00	40.00	27.00
DAJCM152M-0622	9/16"-18	M22X1.5	14.12	14.00	7.54	14.10	39.00	27.00
DAJCM152M-0812	3/4"-16	M12X1.5	16.69	10.00	9.93	4.00	37.00	22.00
DAJCM152M-0814	3/4"-16	M14X1.5	16.69	12.00	9.93	6.00	37.50	19.00
DAJCM152M-0818	3/4"-16	M18X1.5	16.69	12.00	9.93	9.93	36.50	24.00
DAJCM152M-0820	3/4"-16	M20X1.5	16.69	14.00	9.93	12.00	42.50	27.00
DAJCM152M-0822	3/4"-16	M22X1.5	16.69	14.00	9.93	14.10	41.50	27.00
DAJCM152M-0824	3/4"-16	M24X1.5	16.69	14.00	9.93	15.50	43.00	30.00
DAJCM152M-1016	7/8"-14	M16X1.5	19.25	12.00	12.29	8.00	42.50	24.00
DAJCM152M-1018	7/8"-14	M18X1.5	19.25	12.00	12.29	10.00	40.00	24.00
DAJCM152M-1022	7/8"-14	M22X1.5	19.25	14.00	12.29	12.29	44.00	27.00
DAJCM152M-1025	7/8"-14	M25X1.5	19.25	16.00	12.29	14.50	49.00	30.00
DAJCM152M-1026	7/8"-14	M26X1.5	19.25	16.00	12.29	15.00	50.00	32.00
DAJCM152M-1030	7/8"-14	M30X2	19.25	18.00	12.29	21.50	51.50	36.00
DAJCM152M-1216	1-1/16"-12	M16X1.5	21.95	12.00	15.47	8.00	46.00	27.00
DAJCM152M-1222	1-1/16"-12	M22X1.5	21.95	14.00	15.47	14.10	49.00	27.00
DAJCM152M-1224	1-1/16"-12	M24X1.5	21.95	14.00	15.47	15.47	48.50	30.00
DAJCM152M-1225	1-1/16"-12	M25X1.5	21.95	16.00	14.50	14.50	52.00	30.00
DAJCM152M-1226	1-1/16"-12	M26X1.5	21.95	16.00	15.00	15.00	52.00	32.00
DAJCM152M-1227	1-1/16"-12	M27X2	21.95	16.00	15.47	15.47	52.00	32.00
DAJCM152M-1230	1-1/16"-12	M30X2	21.95	18.00	15.47	21.50	53.50	36.00
DAJCM152M-1236	1-1/16"-12	M36X2	21.95	18.00	15.47	25.00	55.00	46.00
DAJCM152M-1630	1-5/16"-12	M30X2	23.14	18.00	21.44	21.44	54.50	36.00
DAJCM152M-1633	1-5/16"-12	M33X2	23.14	19.00	21.44	21.44	57.00	41.00
DAJCM152M-1642	1-5/16"-12	M42X2	23.14	20.00	21.44	28.60	58.60	50.00
DAJCM152M-1645	1-5/16"-12	M45X2	23.14	20.00	21.44	32.00	63.80	55.00
DAJCM152M-2045	1-5/8"-12	M45X2	24.33	20.00	27.38	32.00	65.00	55.00
DAJCM152M-2050	1-5/8"-12	M50X2	24.33	20.00	27.38	35.00	64.00	60.00

DAJCM105M

Straight Connector JIC Male – BSPP 60° Male

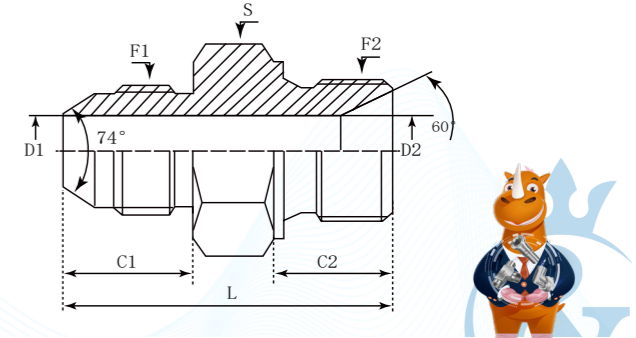
D	A	JC	M	1	05	M
Company	Product Range	Thread Types	Connection Type	Adaptor Structure	Thread Types	Connection Type
DME	Adaptor	JIC UNF	Male	Straight	BSPP	Male

German Technology Equipment

SHIELD FLEX

New-Standard

- DME&JDE Code: **DAJCM105M**
- Product Type: **Hydraulic adaptor**
- Standard: **JIC and SAE-ORB**
- Structure: **Straight**
- Connection Type: **Male x Male**
- Thread Types: **UNF x BSPP 60°**

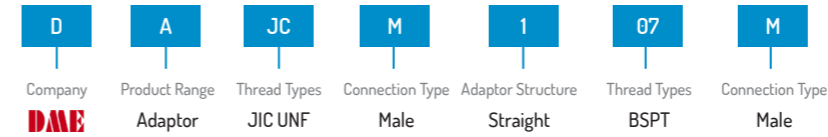


PART NUMBER	F1 (Thread)	F2 (Thread)	C1	C2	D1	D2	L	S
#	UNF	BSPP	mm	mm	mm	mm	mm	mm
DAJCM105M-0204	5/16"-24	1/4"-19	11.38	11.00	1.57	4.70	32.00	19.00
DAJCM105M-0402	7/16"-20	1/8"-28	13.97	8.00	3.50	3.50	29.00	14.00
DAJCM105M-0404	7/16"-20	1/4"-19	13.97	11.00	4.37	4.37	34.50	19.00
DAJCM105M-0406	7/16"-20	3/8"-19	13.97	12.00	4.37	7.90	34.00	22.00
DAJCM105M-0408	7/16"-20	1/2"-14	13.97	14.00	4.37	11.10	38.00	27.00
DAJCM105M-0412	7/16"-20	3/4"-14	13.97	16.00	4.37	16.70	41.00	32.00
DAJCM105M-0502	1/2"-20	1/8"-28	13.97	8.00	5.94	3.50	29.00	14.00
DAJCM105M-0504	1/2"-20	1/4"-19	13.97	11.00	4.70	4.70	34.50	19.00
DAJCM105M-0506	1/2"-20	3/8"-19	13.97	12.00	5.94	7.90	33.50	22.00
DAJCM105M-0508	1/2"-20	1/2"-14	13.97	14.00	5.94	11.10	38.00	27.00
DAJCM105M-0602	9/16"-18	1/8"-28	14.12	8.00	7.54	3.50	30.00	17.00
DAJCM105M-0604	9/16"-18	1/4"-19	14.12	11.00	7.54	4.70	34.50	19.00
DAJCM105M-0606	9/16"-18	3/8"-19	14.12	12.00	7.54	7.54	34.50	22.00
DAJCM105M-0608	9/16"-18	1/2"-14	14.12	14.00	7.54	11.10	38.00	27.00
DAJCM105M-0610	9/16"-18	5/8"-14	14.12	16.00	7.54	14.00	42.00	30.00
DAJCM105M-0612	9/16"-18	3/4"-14	14.12	16.00	7.54	16.70	42.00	32.00
DAJCM105M-0706	5/8"-18	3/8"-19	15.70	12.00	7.14	7.14	35.30	22.00
DAJCM105M-0804	3/4"-16	1/4"-19	16.69	11.00	9.93	4.70	36.00	19.00
DAJCM105M-0806	3/4"-16	3/8"-19	16.69	12.00	9.93	7.90	37.50	22.00

DAJCM105M-0808	3/4"-16	1/2"-14	16.69	14.00	9.93	9.93	41.00	27.00
DAJCM105M-0810	3/4"-16	5/8"-14	16.69	16.00	9.93	14.00	43.50	30.00
DAJCM105M-0812	3/4"-16	3/4"-14	16.69	16.00	9.93	16.70	45.00	32.00
DAJCM105M-0816	3/4"-16	1"-11	16.69	19.00	9.93	22.20	47.50	41.00
DAJCM105M-1004	7/8"-14	1/4"-19	19.25	11.00	12.29	4.70	42.00	24.00
DAJCM105M-1006	7/8"-14	3/8"-19	19.25	12.00	12.29	7.90	40.50	24.00
DAJCM105M-1008	7/8"-14	1/2"-14	19.25	14.00	11.10	11.10	43.50	27.00
DAJCM105M-1010	7/8"-14	5/8"-14	19.25	16.00	12.29	12.29	47.00	30.00
DAJCM105M-1012	7/8"-14	3/4"-14	19.25	16.00	12.29	16.70	47.50	32.00
DAJCM105M-1016	7/8"-14	1"-11	19.25	19.00	12.29	22.20	49.80	41.00
DAJCM105M-1206	1-1/16"-12	3/8"-19	21.95	12.00	15.47	7.90	46.00	30.00
DAJCM105M-1208	1-1/16"-12	1/2"-14	21.95	14.00	15.47	11.10	47.00	27.00
DAJCM105M-1212	1-1/16"-12	3/4"-14	21.95	16.00	15.47	15.47	50.00	32.00
DAJCM105M-1216	1-1/16"-12	1"-11	21.95	19.00	15.47	22.20	52.50	41.00
DAJCM105M-1220	1-1/16"-12	1-1/4"-11	21.95	20.00	15.47	28.60	56.00	50.00
DAJCM105M-1224	1-1/16"-12	1-1/2"-11	21.95	22.00	15.47	33.30	60.00	55.00
DAJCM105M-1412	1-3/16"-12	3/4"-14	23.00	16.00	16.70	16.70	51.00	32.00
DAJCM105M-1416	1-3/16"-12	1"-11	23.00	19.00	18.00	22.20	55.00	41.00
DAJCM105M-1608	1-5/16"-12	1/2"-14	23.14	14.00	21.44	11.10	49.00	36.00
DAJCM105M-1612	1-5/16"-12	3/4"-14	23.14	16.00	21.44	16.70	51.00	36.00
DAJCM105M-1616	1-5/16"-12	1"-11	23.14	19.00	21.44	21.44	53.50	41.00
DAJCM105M-1620	1-5/16"-12	1 1/4"-11	23.14	20.00	21.44	28.60	57.00	50.00
DAJCM105M-2012	1-5/8"-12	3/4"-14	24.33	16.00	27.38	16.70	54.50	46.00
DAJCM105M-2016	1-5/8"-12	1"-11	24.33	19.00	27.38	22.20	55.50	46.00
DAJCM105M-2020	1-5/8"-12	1-1/4"-11	24.33	20.00	27.38	27.38	58.50	50.00
DAJCM105M-2024	1-5/8"-12	1-1/2"-11	24.33	22.00	27.38	33.30	62.30	55.00
DAJCM105M-2032	1-5/8"-12	2"-11	24.33	25.00	27.38	45.25	67.00	70.00
DAJCM105M-2416	1-7/8"-12	1"-11	27.51	19.00	33.32	22.20	60.50	50.00
DAJCM105M-2420	1-7/8"-12	1-1/4"-11	27.51	20.00	33.32	28.60	61.50	50.00
DAJCM105M-2424	1-7/8"-12	1-1/2"-11	27.51	22.00	33.30	33.30	65.50	55.00
DAJCM105M-2432	1-7/8"-12	2"-11	27.51	25.00	33.30	45.25	70.15	70.00
DAJCM105M-3220	2-1/2"-12	1-1/4"-11	33.86	20.00	45.25	28.60	69.50	65.00
DAJCM105M-3224	2-1/2"-12	1-1/2"-11	33.86	22.00	45.25	33.30	71.50	65.00
DAJCM105M-3232	2-1/2"-12	2"-11	33.86	25.00	45.25	45.25	76.50	70.00

DAJCM107M

Straight Connector JIC Male – BSPT Male 60°

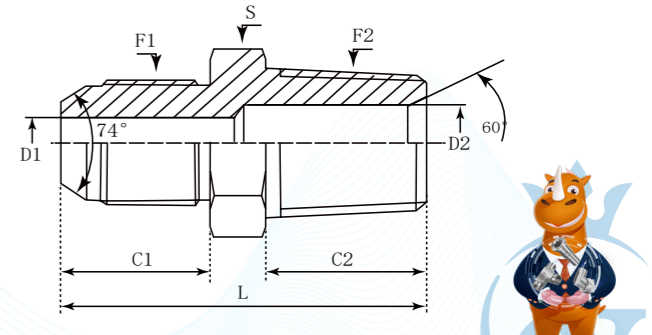


German Technology Equipment

SHIELD FLEX

New-Standard

- DME&JDE Code:** DAJCM107M
- Product Type:** Hydraulic adaptor
- Standard:** JIC and SAE-ORB
- Structure:** Straight
- Connection Type:** Male x Male
- Thread Types:** UNF x BSPT 60°

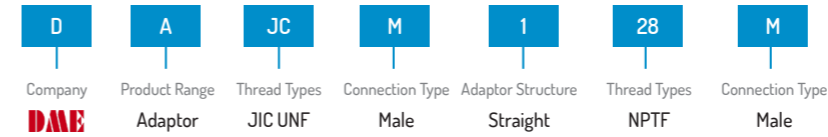


PART NUMBER	F1 (Thread)	F2 (Thread)	C1	C2	D1	D2	L	S
#	UNF	BSPT	mm	mm	mm	mm	mm	mm
DAJCM107M-0202	5/16"-24	1/8"-28	11.38	10.00	1.57	4.50	28.00	12.00
DAJCM107M-0302	3/8"-24	1/8"-28	12.00	10.00	3.20	3.20	28.00	12.00
DAJCM107M-0402	7/16"-20	1/8"-28	13.97	10.00	4.37	4.37	30.00	12.00
DAJCM107M-0404	7/16"-20	1/4"-19	13.97	14.00	4.37	6.00	34.50	17.00
DAJCM107M-0406	7/16"-20	3/8"-19	13.97	15.00	4.37	9.00	36.00	19.00
DAJCM107M-0408	7/16"-20	1/2"-14	13.97	19.00	4.37	12.00	41.00	24.00
DAJCM107M-0412	7/16"-20	3/4"-14	13.97	20.00	4.37	16.70	43.50	30.00
DAJCM107M-0504	1/2"-20	1/4"-19	13.97	13.00	5.94	5.94	33.00	14.00
DAJCM107M-0508	1/2"-20	1/2"-14	13.97	19.00	5.94	12.00	42.00	24.00
DAJCM107M-0602	9/16"-18	1/8"-28	14.12	10.00	7.54	4.50	31.00	17.00
DAJCM107M-0604	9/16"-18	1/4"-19	14.12	14.00	6.00	6.00	34.00	17.00
DAJCM107M-0606	9/16"-18	3/8"-19	14.12	15.00	7.54	9.00	36.50	19.00
DAJCM107M-0608	9/16"-18	1/2"-14	14.12	19.00	7.54	12.00	41.00	24.00
DAJCM107M-0702	5/8"-18	1/8"-28	15.70	10.00	7.14	4.50	33.00	17.00
DAJCM107M-0704	5/8"-18	1/4"-19	15.70	14.00	7.14	6.00	37.00	17.00
DAJCM107M-0706	5/8"-18	3/8"-19	15.70	15.00	7.14	9.00	38.50	19.00
DAJCM107M-0708	5/8"-18	1/2"-14	15.70	19.00	7.14	12.00	45.00	24.00

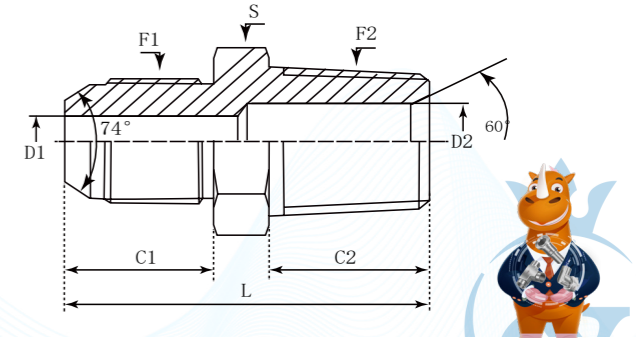
DAJCM107M-0804	3/4"-16	1/4"-19	16.69	14.00	9.93	6.00	39.00	22.00
DAJCM107M-0806	3/4"-16	3/8"-19	16.69	15.00	9.00	9.00	40.00	22.00
DAJCM107M-0808	3/4"-16	1/2"-14	16.69	19.00	9.93	12.00	47.50	22.00
DAJCM107M-0810	3/4"-16	5/8"-14	16.70	19.00	9.93	14.00	44.50	24.00
DAJCM107M-0812	3/4"-16	3/4"-14	16.70	20.00	9.93	16.70	46.00	30.00
DAJCM107M-0816	3/4"-16	1"-11	16.70	24.00	9.93	22.20	53.00	36.00
DAJCM107M-1006	7/8"-14	3/8"-19	19.25	15.00	12.29	9.00	42.50	24.00
DAJCM107M-1008	7/8"-14	1/2"-14	19.25	19.00	12.00	12.00	46.50	22.00
DAJCM107M-1010	7/8"-14	5/8"-14	19.25	19.00	12.29	14.00	48.00	24.00
DAJCM107M-1012	7/8"-14	3/4"-14	19.25	20.00	12.29	16.70	48.50	30.00
DAJCM107M-1206	1-1/16"-12	3/8"-19	21.95	15.00	15.47	9.00	47.00	30.00
DAJCM107M-1208	1-1/16"-12	1/2"-14	21.95	19.00	15.47	12.00	50.00	27.00
DAJCM107M-1212	1-1/16"-12	3/4"-14	21.95	20.00	15.47	15.47	52.00	27.00
DAJCM107M-1216	1-1/16"-12	1"-11	21.95	24.00	15.47	22.20	57.50	36.00
DAJCM107M-1220	1-1/16"-12	1-1/4"-11	21.95	25.00	15.47	28.60	61.50	46.00
DAJCM107M-1224	1-1/16"-12	1-1/2"-11	21.95	25.00	15.47	33.30	62.50	50.00
DAJCM107M-1412	1-3/16"-12	3/4"-14	23.00	20.00	16.70	16.70	54.00	31.75
DAJCM107M-1416	1-3/16"-12	1"-11	23.00	24.00	16.70	22.20	57.00	36.00
DAJCM107M-1608	1-5/16"-12	1/2"-14	23.14	19.00	21.44	12.00	53.50	36.00
DAJCM107M-1612	1-5/16"-12	3/4"-14	23.14	20.00	21.44	16.70	53.00	36.00
DAJCM107M-1616	1-5/16"-12	1"-11	23.14	24.00	21.44	21.44	59.00	36.00
DAJCM107M-1620	1-5/16"-12	1-1/4"-11	23.14	25.00	21.44	28.60	61.50	46.00
DAJCM107M-1624	1-5/16"-12	1-1/2"-11	23.14	25.00	21.44	33.30	64.50	50.00
DAJCM107M-2016	1-5/8"-12	1"-11	24.33	24.00	27.38	22.20	62.50	46.00
DAJCM107M-2020	1-5/8"-12	1-1/4"-11	24.33	25.00	26.50	26.50	61.00	43.00
DAJCM107M-2024	1-5/8"-12	1 1/2"-11	24.33	25.00	27.38	33.30	66.50	50.00
DAJCM107M-2032	1-5/8"-12	2"-11	24.33	30.00	27.38	46.00	71.50	65.00
DAJCM107M-2420	1-7/8"-12	1-1/4"-11	27.50	25.00	33.32	28.60	67.50	50.00
DAJCM107M-2424	1-7/8"-12	1-1/2"-11	27.50	25.00	33.32	33.30	68.00	50.00
DAJCM107M-2432	1-7/8"-12	2"-11	27.50	30.00	33.32	46.00	74.50	65.00
DAJCM107M-3224	2-1/2"-12	1 1/2"-11	33.86	25.00	45.25	33.30	75.00	65.00
DAJCM107M-3232	2-1/2"-12	2"-11	33.86	34.00	45.24	45.24	84.00	65.00

DAJCM128M

Straight Connector JIC Male – NPTF Male 60°



- DME&JDE Code:** DAJCM128M
- Product Type:** Hydraulic adaptor
- Standard:** JIC and SAE-ORB
- Structure:** Straight
- Connection Type:** Male x Male
- Thread Types:** UNF x NPTF 60°



PART NUMBER	F1 (Thread)	F2 (Thread)	C1	C2	D1	D2	L	S	Hex
#	UNF	NPTF	mm	mm	mm	mm	mm	-	-
DAJCM128M-0202	5/16"-24	1/8"-27	11.38	9.65	1.57	4.78	28.20	11 mm	Metric
DAJCM128M-0204	5/16"-24	1/4"-18	11.38	14.22	1.57	7.14	33.50	17 mm	Metric
DAJCM128M-0202IN	5/16"-24	1/8"-27	11.38	9.65	1.57	4.78	28.20	7/16"	Imperial
DAJCM128M-0204IN	5/16"-24	1/4"-18	11.38	14.22	1.57	7.14	33.50	5/8"	Imperial
DAJCM128M-0302	3/8"-24	1/8"-27	12.00	9.65	3.20	4.78	29.00	11 mm	Metric
DAJCM128M-0304	3/8"-24	1/4"-18	12.00	14.22	3.20	7.14	34.30	17 mm	Metric
DAJCM128M-0302IN	3/8"-24	1/8"-27	12.00	9.65	3.20	4.78	29.00	7/16"	Imperial
DAJCM128M-0304IN	3/8"-24	1/4"-18	12.00	14.22	3.20	7.14	34.30	5/8"	Imperial
DAJCM128M-0402	7/16"-20	1/8"-27	13.97	9.65	4.37	4.78	31.00	14 mm	Metric
DAJCM128M-0404	7/16"-20	1/4"-18	13.97	14.22	4.37	7.14	36.07	14 mm	Metric
DAJCM128M-0406	7/16"-20	3/8"-18	13.97	14.22	4.37	10.31	36.10	19 mm	Metric
DAJCM128M-0408	7/16"-20	1/2"-14	13.97	19.05	4.37	13.49	42.70	22 mm	Metric
DAJCM128M-0412	7/16"-20	3/4"-14	13.97	19.05	4.37	18.26	44.45	27 mm	Metric
DAJCM128M-0402IN	7/16"-20	1/8"-27	13.97	9.65	4.37	4.78	31.00	1/2"	Imperial
DAJCM128M-0404IN	7/16"-20	1/4"-18	13.97	14.22	4.37	7.14	36.07	9/16"	Imperial
DAJCM128M-0406IN	7/16"-20	3/8"-18	13.97	14.22	4.37	10.31	36.10	3/4"	Imperial
DAJCM128M-0408IN	7/16"-20	1/2"-14	13.97	19.05	4.37	13.49	42.70	7/8"	Imperial
DAJCM128M-0412IN	7/16"-20	3/4"-14	13.97	19.05	4.37	18.26	44.45	1-1/8"	Imperial
DAJCM128M-0502	1/2"-20	1/8"-27	13.97	9.65	5.94	4.78	31.00	14 mm	Metric
DAJCM128M-0504	1/2"-20	1/4"-18	13.97	14.22	5.94	7.14	36.10	14 mm	Metric
DAJCM128M-0506	1/2"-20	3/8"-18	13.97	14.22	5.94	10.31	36.10	19 mm	Metric
DAJCM128M-0508	1/2"-20	1/2"-14	13.97	19.05	5.94	13.49	42.70	22 mm	Metric
DAJCM128M-0502IN	1/2"-20	1/8"-27	13.97	9.65	5.94	4.78	31.00	9/16"	Imperial
DAJCM128M-0504IN	1/2"-20	1/4"-18	13.97	14.22	5.94	7.14	36.10	9/16"	Imperial
DAJCM128M-0506IN	1/2"-20	3/8"-18	13.97	14.22	5.94	10.31	36.10	3/4"	Imperial
DAJCM128M-0508IN	1/2"-20	1/2"-14	13.97	19.05	5.94	13.49	42.70	7/8"	Imperial
DAJCM128M-0602	9/16"-18	1/8"-27	14.12	9.65	7.54	4.78	31.50	17 mm	Metric
DAJCM128M-0604	9/16"-18	1/4"-18	14.12	14.22	7.14	7.14	36.32	17 mm	Metric

DAJCM128M-0606	9/16"-18	3/8"-18	14.12	14.22	7.54	7.54	36.32	19 mm	Metric
DAJCM128M-0608	9/16"-18	1/2"-14	14.12	19.05	7.54	13.49	42.93	22 mm	Metric
DAJCM128M-0612	9/16"-18	3/4"-14	14.12	19.05	7.54	18.26	44.45	27 mm	Metric
DAJCM128M-0616	9/16"-18	1"-11-1/2	14.12	23.88	7.54	23.83	49.50	36 mm	Metric
DAJCM128M-0602IN	9/16"-18	1/8"-27	14.12	9.65	7.54	4.78	31.50	5/8"	Imperial
DAJCM128M-0604IN	9/16"-18	1/4"-18	14.12	14.22	7.14	7.14	36.32	5/8"	Imperial
DAJCM128M-0606IN	9/16"-18	3/8"-18	14.12	14.22	7.54	7.54	36.32	3/4"	Imperial
DAJCM128M-0608IN	9/16"-18	1/2"-14	14.12	19.05	7.54	13.49	42.93	7/8"	Imperial
DAJCM128M-0612IN	9/16"-18	3/4"-14	14.12	19.05	7.54	18.26	44.45	1-1/8"	Imperial
DAJCM128M-0616IN	9/16"-18	1"-11-1/2	14.12	23.88	7.54	23.83	49.50	1-3/8"	Imperial
DAJCM128M-0704	5/8"-18	1/4"-18	15.70	14.22	7.14	7.14	37.00	17 mm	Metric
DAJCM128M-0706	5/8"-18	3/8"-18	15.70	14.22	7.14	10.31	37.90	19 mm	Metric
DAJCM128M-0704IN	5/8"-18	1/4"-18	15.70	14.22	7.14	7.14	37.00	11/16"	Imperial
DAJCM128M-0706IN	5/8"-18	3/8"-18	15.70	14.22	7.14	10.31	37.90	3/4"	Imperial
DAJCM128M-0802	3/4"-16	1/8"-27	16.69	9.65	9.93	4.78	34.00	19 mm	Metric
DAJCM128M-0804	3/4"-16	1/4"-18	16.69	14.22	9.93	7.14	38.31	22 mm	Metric
DAJCM128M-0806	3/4"-16	3/8"-18	16.69	14.22	9.93	9.93	38.86	19 mm	Metric
DAJCM128M-0808	3/4"-16	1/2"-14	16.69	19.05	9.93	13.49	45.47	22 mm	Metric
DAJCM128M-0812	3/4"-16	3/4"-14	16.69	19.05	9.93	18.26	46.99	27 mm	Metric
DAJCM128M-0816	3/4"-16	1"-11-1/2	16.69	23.88	9.93	23.83	52.07	36 mm	Metric
DAJCM128M-0802IN	3/4"-16	1/8"-27	16.69	9.65	9.93	4.78	34.00	13/16"	Imperial
DAJCM128M-0804IN	3/4"-16	1/4"-18	16.69	14.22	9.93	7.14	38.31	13/16"	Imperial
DAJCM128M-0806IN	3/4"-16	3/8"-18	16.69	14.22	9.93	9.93	38.86	13/16"	Imperial
DAJCM128M-0808IN	3/4"-16	1/2"-14	16.69	19.05	9.93	13.49	45.47	7/8"	Imperial
DAJCM128M-0812IN	3/4"-16	3/4"-14	16.69	19.05	9.93	18.26	46.99	1-1/8"	Imperial
DAJCM128M-0816IN	3/4"-16	1"-11-1/2	16.69	23.88	9.93	23.83	52.07	1-3/8"	Imperial
DAJCM128M-1004	7/8"-14	1/4"-18	19.25	14.22	12.29	7.14	43.20	24 mm	Metric
DAJCM128M-1006	7/8"-14	3/8"-18	19.25	14.22	12.29	10.31	43.20	24 mm	Metric
DAJCM128M-1008	7/8"-14	1/2"-14	19.25	19.05	12.29	13.49	48.00	24 mm	Metric
DAJCM128M-1012	7/8"-14	3/4"-14	19.25	19.05	12.29	18.26	49.53	27 mm	Metric
DAJCM128M-1016	7/8"-14	1"-11-1/2	19.25	23.88	12.29	23.83	54.53	36 mm	Metric
DAJCM128M-1004IN	7/8"-14	1/4"-18	19.25	14.22	12.29	7.14	43.20	15/16"	Imperial
DAJCM128M-1006IN	7/8"-14	3/8"-18	19.25	14.22	12.29	10.31	43.20	15/16"	Imperial
DAJCM128M-1008IN	7/8"-14	1/2"-14	19.25	19.05	12.29	13.49	48.00	15/16"	Imperial
DAJCM128M-1012IN	7/8"-14	3/4"-14	19.25	19.05	12.29	18.26	49.53	1-1/8"	Imperial
DAJCM128M-1016IN	7/8"-14	1"-11-1/2	19.25	23.88	12.29	23.83	54.53	1-3/8"	Imperial
DAJCM128M-1204	1-1/16"-12	1/4"-18	21.95	14.22	15.47	7.14	47.50	27 mm	Metric
DAJCM128M-1206	1-1/16"-12	3/8"-18	21.95	14.22	15.47	10.31	47.50	27 mm	Metric
DAJCM128M-1208	1-1/16"-12	1/2"-14	21.95	19.05	15.47	13.49	52.32	27 mm	Metric
DAJCM128M-1212	1-1/16"-12	3/4"-14	21.95	19.05	15.47	18.26	52.30	27 mm	Metric
DAJCM128M-1216	1-1/16"-12	1"-11-1/2	21.95	23.88	15.47	23.83	57.15	36 mm	Metric
DAJCM128M-1220	1-1/16"-12	1-1/4"-11-1/2	21.95	24.64	15.47	31.75	59.85	46 mm	Metric
DAJCM128M-1224	1-1/16"-12	1-1/2"-11-1/2	21.95	25.40	15.47	38.10	62.50	50 mm	Metric
DAJCM128M-1232	1-1/16"-12	2"-11-1/2	21.95	26.16	15.47	49.23	66.90	65 mm	Metric
DAJCM128M-1204IN	1-1/16"-12	1/4"-18	21.95	14.22	15.47	7.14	47.50	1-1/8"	Imperial
DAJCM128M-1206IN	1-1/16"-12	3/8"-18	21.95	14.22	15.47	10.31	47.50	1-1/8"	Imperial
DAJCM128M-1208IN	1-1/16"-12	1/2"-14	21.95	19.05	15.47	13.49	52.32	1-1/8"	Imperial
DAJCM128M-1212IN	1-1/16"-12	3/4"-14	21.95	19.05	15.47	18.26	52.30	1-1/8"	Imperial
DAJCM128M-1216IN	1-1/16"-12	1"-11-1/2	21.95	23.88	15.47	23.83	57.15	1-3/8"	Imperial
DAJCM128M-1220IN	1-1/16"-12	1-1/4"-11-1/2	21.95	24.64	15.47	31.75	59.85	1-11/16"	Imperial

DAJCM128M-1224IN	1-1/16"-12	1-1/2"-11-1/2	21.95	25.40	15.47	38.10	62.50	2"	Imperial
DAJCM128M-1232IN	1-1/16"-12	2"-11-1/2	21.95	26.16	15.47	49.23	66.90	2-4/8"	Imperial
DAJCM128M-1408	1-3/16"-12	1/2"-14	23.00	19.05	18.00	13.49	53.10	32 mm	Metric
DAJCM128M-1412	1-3/16"-12	3/4"-14	23.00	19.05	18.26	18.26	53.10	32 mm	Metric
DAJCM128M-1416	1-3/16"-12	1"-11-1/2	23.00	23.88	18.00	23.83	57.90	36 mm	Metric
DAJCM128M-1408IN	1-3/16"-12	1/2"-14	23.00	19.05	18.00	13.49	53.10	1-1/4"	Imperial
DAJCM128M-1412IN	1-3/16"-12	3/4"-14	23.00	19.05	18.26	18.26	53.10	1-1/4"	Imperial
DAJCM128M-1416IN	1-3/16"-12	1"-11-1/2	23.00	23.88	18.00	23.83	57.90	1-3/8"	Imperial
DAJCM128M-1606	1-5/16"-12	3/8"-18	23.14	14.22	21.44	10.31	48.80	36 mm	Metric
DAJCM128M-1608	1-5/16"-12	1/2"-14	23.14	19.05	21.44	13.49	53.60	36 mm	Metric
DAJCM128M-1612	1-5/16"-12	3/4"-14	23.14	19.05	21.44	18.26	53.59	36 mm	Metric
DAJCM128M-1616	1-5/16"-12	1"-11-1/2	23.14	23.88	21.44	21.44	58.42	36 mm	Metric
DAJCM128M-1620	1-5/16"-12	1-1/4"-11-1/2	23.14	24.64	21.44	31.75	60.96	46 mm	Metric
DAJCM128M-1624	1-5/16"-12	1-1/2"-11-1/2	23.14	25.40	21.44	38.10	63.80	50 mm	Metric
DAJCM128M-1632	1-5/16"-12	2"-11-1/2	23.14	26.16	21.44	49.23	68.30	65 mm	Metric
DAJCM128M-1606IN	1-5/16"-12	3/8"-18	23.14	14.22	21.44	10.31	48.80	1-3/8"	Imperial
DAJCM128M-1608IN	1-5/16"-12	1/2"-14	23.14	19.05	21.44	13.49	53.60	1-3/8"	Imperial
DAJCM128M-1612IN	1-5/16"-12	3/4"-14	23.14	19.05	21.44	18.26	53.59	1-3/8"	Imperial
DAJCM128M-1616IN	1-5/16"-12	1"-11-1/2	23.14	23.88	21.44	21.44	58.42	1-3/8"	Imperial
DAJCM128M-1620IN	1-5/16"-12	1-1/4"-11-1/2	23.14	24.64	21.44	31.75	60.96	1-11/16"	Imperial
DAJCM128M-1624IN	1-5/16"-12	1-1/2"-11-1/2	23.14	25.40	21.44	38.10	63.80	2"	Imperial
DAJCM128M-1632IN	1-5/16"-12	2"-11-1/2	23.14	26.16	21.44	49.23	68.30	2-5/8"	Imperial
DAJCM128M-2012	1-5/8"-12	3/4"-14	24.33	19.05	27.38	18.26	56.64	46 mm	Metric
DAJCM128M-2016	1-5/8"-12	1"-11-1/2	24.33	23.88	27.38	23.83	61.47	46 mm	Metric
DAJCM128M-2020	1-5/8"-12	1-1/4"-11-1/2	24.33	24.64	27.38	31.75	62.23	46 mm	Metric
DAJCM128M-2024	1-5/8"-12	1-1/2"-11-1/2	24.33	25.40	27.38	38.10	64.77	50 mm	Metric
DAJCM128M-2032	1-5/8"-12	2"-11-1/2	24.33	26.16	27.38	49.23	69.30	65 mm	Metric
DAJCM128M-2012IN	1-5/8"-12	3/4"-14	24.33	19.05	27.38	18.26	56.64	1-11/16"	Imperial
DAJCM128M-2016IN	1-5/8"-12	1"-11-1/2	24.33	23.88	27.38	23.83	61.47	1-11/16"	Imperial
DAJCM128M-2020IN	1-5/8"-12	1-1/4"-11-1/2	24.33	24.64	27.38	31.75	62.23	1-11/16"	Imperial
DAJCM128M-2024IN	1-5/8"-12	1-1/2"-11-1/2	24.33	25.40	27.38	38.10	64.77	2"	Imperial
DAJCM128M-2032IN	1-5/8"-12	2"-11-1/2	24.33	26.16	27.38	49.23	69.30	2-5/8"	Imperial
DAJCM128M-2412	1-7/8"-12	3/4"-14	27.51	19.05	33.32	18.26	61.72	50 mm	Metric
DAJCM128M-2416	1-7/8"-12	1"-11-1/2	27.51	23.88	33.32	23.83	66.60	50 mm	Metric
DAJCM128M-2420	1-7/8"-12	1-1/4"-11-1/2	27.51	24.64	31.75	31.75	67.30	50 mm	Metric
DAJCM128M-2424	1-7/8"-12	1-1/2"-11-1/2	27.51	25.40	33.32	38.10	67.95	50 mm	Metric
DAJCM128M-2432	1-7/8"-12	2"-11-1/2	27.51	26.16	33.32	49.23	72.60	65 mm	Metric
DAJCM128M-2412IN	1-7/8"-12	3/4"-14	27.51	19.05	33.32	18.26	61.72	2"	Imperial
DAJCM128M-2416IN	1-7/8"-12	1"-11-1/2	27.51	23.88	33.32	23.83	66.60	2"	Imperial
DAJCM128M-2420IN	1-7/8"-12	1-1/4"-11-1/2	27.51	24.64	31.75	31.75	67.30	2"	Imperial
DAJCM128M-2424IN	1-7/8"-12	1-1/2"-11-1/2	27.51	25.40	33.32	38.10	67.95	2"	Imperial
DAJCM128M-2432IN	1-7/8"-12	2"-11-1/2	27.51	26.16	33.32	49.23	72.60	2-5/8"	Imperial
DAJCM128M-3220	2-1/2"-12	1-1/4"-11-1/2	33.86	24.64	45.25	31.75	77.50	65 mm	Metric
DAJCM128M-3224	2-1/2"-12	1-1/2"-11-1/2	33.86	25.40	45.25	38.10	78.20	65 mm	Metric
DAJCM128M-3232	2-1/2"-12	2"-11-1/2	33.86	26.16	45.24	49.23	78.99	65 mm	Metric
DAJCM128M-3240	2-1/2"-12	2 1/2"-8	33.86	38.86	45.25	59.00	88.39	85 mm	Metric
DAJCM128M-3220IN	2-1/2"-12	1-1/4"-11-1/2	33.86	24.64	45.25	31.75	77.50	2-5/8"	Imperial
DAJCM128M-3224IN	2-1/2"-12	1-1/2"-11-1/2	33.86	25.40	45.25	38.10	78.20	2-5/8"	Imperial
DAJCM128M-3232IN	2-1/2"-12	2"-11-1/2	33.86	26.16	45.24	49.23	78.99	2-5/8"	Imperial
DAJCM128M-3240IN	2-1/2"-12	2"-1/2"-8	33.86	38.86	45.25	59.00	88.39	3-1/4"	Imperial

DAJCM152JM

Straight Connector JIC Male – JIS Metric Male 60°

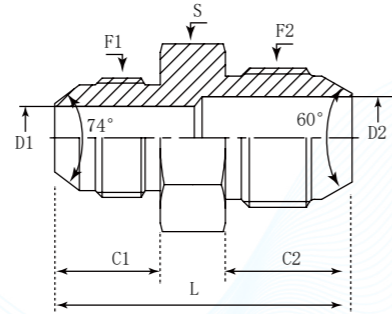
D	A	JC	M	1	52J	M
Company	Product Range	Thread Types	Connection Type	Adaptor Structure	Thread Types	Connection Type
DME	Adaptor	JIC UNF	Male	Straight	JIS Metric	Male

German Technology Equipment

SHIELD FLEX

New-Standard

- DME&JDE Code: **DAJCM152JM**
- Product Type: **Hydraulic adaptor**
- Standard: **JIC and SAE-ORB**
- Structure: **Straight**
- Connection Type: **Male x Male**
- Thread Types: **UNF x JIS Metric 60°**



PART NUMBER	F1 (Thread)	F2 (Thread)	C1	C2	D1	D2	L	S
#	UNF	JIS Metric	mm	mm	mm	mm	mm	-
DAJCM152JM-0414	7/16"-20	M14X1.5	13.97	17.00	4.37	4.37	37.00	17.00
DAJCM152JM-0616	9/16"-18	M16X1.5	14.12	18.00	7.00	7.00	40.00	17.00
DAJCM152JM-0618	9/16"-18	M18X1.5	14.12	18.00	7.54	7.54	40.50	19.00
DAJCM152JM-0822	3/4"-16	M22X1.5	16.69	20.00	9.93	12.00	47.00	24.00
DAJCM152JM-1024	7/8"-14	M24X1.5	19.25	21.50	12.29	15.00	51.00	27.00
DAJCM152JM-1230	1-1/16"-12	M30X1.5	21.95	26.00	15.47	18.50	59.00	32.00
DAJCM152JM-1633	1-5/16"-12	M33X1.5	23.14	30.00	20.00	20.00	64.00	36.00

DAJCM105JM

Straight Connector JIC Male – JIS BSPP Male 60°

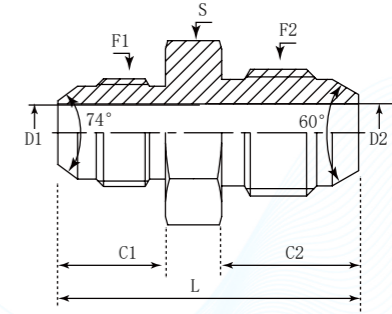
D	A	JC	M	1	05	J	M
Company	Product Range	Thread Types	Connection Type	Adaptor Structure	Thread Types	Thread Type	Connection Type
DME	Adaptor	JIC UNF	Male	Straight	BSPP	JIS	Male

German Technology Equipment

SHIELD FLEX

New-Standard

- DME&JDE Code: **DAJCM105JM**
- Product Type: **Hydraulic adaptor**
- Standard: **JIC and SAE-ORB**
- Structure: **Straight**
- Connection Type: **Male x Male**
- Thread Types: **UNF x JIS BSPP 60°**



PART NUMBER	F1 (Thread)	F2 (Thread)	C1	C2	D1	D2	L	S
#	UNF	BSPP	mm	mm	mm	mm	mm	mm
DAJCM105JM-0402	7/16"-20	1/8"-28	13.97	12.00	3.20	3.20	32.00	14.00
DAJCM105JM-0606	9/16"-18	3/8"-19	14.12	18.00	7.54	7.54	40.50	19.00
DAJCM105JM-0808	3/4"-16	1/2"-14	16.69	20.00	9.93	9.93	45.00	22.00
DAJCM105JM-1212	1-1/16"-12	3/4"-14	21.95	22.00	15.47	15.47	55.00	30.00
DAJCM105JM-1616	1-5/16"-12	1"-11	23.14	24.00	20.00	20.00	60.00	36.00
DAJCM105JM-2020	1-5/8"-12	1-1/4"-11	24.33	27.00	27.38	27.38	65.00	46.00
DAJCM105JM-2424	1-7/8"-12	1-1/2"-11	27.51	27.00	33.32	33.32	69.50	50.00



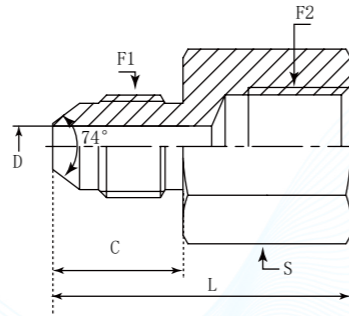
DAJCM105F

Straight Connector JIC Male – BSPP Female 60°

D	A	JC	M	1	05	F
Company	Product Range	Thread Types	Connection Type	Adaptor Structure	Thread Types	Connection Type
DME	Adaptor	JIC UNF	Male	Straight	BSPP	Female



- DME&JDE Code: **DAJCM105F**
- Product Type: **Hydraulic adaptor**
- Standard: **JIC and SAE-ORB**
- Structure: **Straight**
- Connection Type: **Male x Female**
- Thread Types: **UNF x BSPP 60°**



PART NUMBER	F1 (Thread)	F2 (Thread)	C	D	L	S
#	UNF	BSPP	mm	mm	mm	mm
DAJCM105F-0402	7/16"-20	1/8"-28	13.97	4.37	29.50	14.00
DAJCM105F-0404	7/16"-20	1/4"-19	13.97	4.37	34.00	19.00
DAJCM105F-0406	7/16"-20	3/8"-19	13.97	4.37	34.00	22.00
DAJCM105F-0408	7/16"-20	1/2"-14	13.97	4.37	38.00	27.00
DAJCM105F-0504	1/2"-20	1/4"-19	13.97	5.94	35.50	19.00
DAJCM105F-0508	1/2"-20	1/2"-14	13.97	5.94	38.00	27.00
DAJCM105F-0602	9/16"-18	1/8"-28	14.12	7.54	29.00	17.00
DAJCM105F-0604	9/16"-18	1/4"-19	14.12	7.54	35.50	19.00
DAJCM105F-0606	9/16"-18	3/8"-19	14.12	7.54	34.00	22.00
DAJCM105F-0608	9/16"-18	1/2"-14	14.12	7.54	38.00	27.00
DAJCM105F-0802	3/4"-16	1/8"-28	16.69	9.93	37.50	19.00
DAJCM105F-0804	3/4"-16	1/4"-19	16.69	9.93	37.50	19.00
DAJCM105F-0806	3/4"-16	3/8"-19	16.69	9.93	36.50	22.00
DAJCM105F-0808	3/4"-16	1/2"-14	16.69	9.93	40.80	27.00
DAJCM105F-0812	3/4"-16	3/4"-14	16.69	9.93	45.50	32.00
DAJCM105F-1008	7/8"-14	1/2"-14	19.25	12.29	45.00	27.00
DAJCM105F-1010	7/8"-14	5/8"-14	19.25	12.29	48.00	32.00
DAJCM105F-1206	1-1/16"-12	3/8"-19	21.95	15.47	41.00	27.00
DAJCM105F-1208	1-1/16"-12	1/2"-14	21.95	15.47	46.00	27.00
DAJCM105F-1212	1-1/16"-12	3/4"-14	21.95	15.47	48.00	32.00
DAJCM105F-1616	1-5/16"-12	1"-11	23.14	21.44	55.00	41.00
DAJCM105F-2020	1-5/8"-12	1-1/4"-11	24.33	27.38	57.50	50.00
DAJCM105F-2424	1-7/8"-12	1-1/2"-11	27.51	33.32	65.50	55.00
DAJCM105F-3232	2-1/2"-12	2"-11	33.86	45.25	72.00	70.00



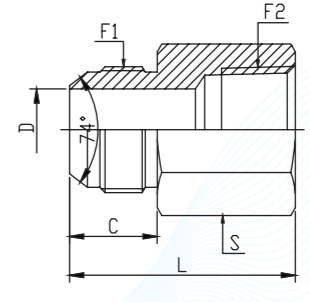
DAJCM107F

Straight Connector JIC Male – BSPT Female

D	A	JC	M	1	07	F
Company	Product Range	Thread Types	Connection Type	Adaptor Structure	Thread Types	Connection Type
DME	Adaptor	JIC UNF	Male	Straight	BSPT	Female



- DME&JDE Code: **DAJCM107F**
- Product Type: **Hydraulic adaptor**
- Standard: **JIC and SAE-ORB**
- Structure: **Straight**
- Connection Type: **Male x Female**
- Thread Types: **UNF x BSPT**



PART NUMBER	F1 (Thread)	F2 (Thread)	C	D	L	S	Cross Number
#	UNF	BSPT	mm	mm	mm	mm	-
DAJCM107F-0402	7/16"-20	1/8"-28	13.97	4.37	30.00	14.00	AB-02-07
DAJCM107F-0404	7/16"-20	1/4"-19	13.97	4.37	35.50	19.00	AB-04-07
DAJCM107F-0504	1/2"-20	1/4"-19	13.97	5.94	35.50	19.00	AB-04-08
DAJCM107F-0604	9/16"-18	1/4"-19	14.12	7.54	35.50	19.00	AB-04-09
DAJCM107F-0606	9/16"-18	3/8"-19	14.12	7.54	36.50	22.00	AB-06-09
DAJCM107F-0608	9/16"-18	1/2"-14	14.12	7.54	42.50	27.00	AB-08-09
DAJCM107F-0806	3/4"-16	3/8"-19	16.69	9.93	39.50	22.00	AB-06-12
DAJCM107F-0808	3/4"-16	1/2"-14	16.69	9.93	45.50	27.00	AB-08-12
DAJCM107F-1004	7/8"-14	1/4"-19	19.25	12.29	42.00	27.00	AB-04-14
DAJCM107F-1008	7/8"-14	1/2"-14	19.25	12.29	48.00	27.00	AB-08-14
DAJCM107F-1212	1-1/16"-12	3/4"-14	21.95	15.47	52.50	36.00	AB-12-17
DAJCM107F-1616	1-5/16"-12	1"-11	23.14	21.44	59.50	41.00	AB-16-21



DAJCM152F

Straight Connector JIC Male – Metric Fixed Female

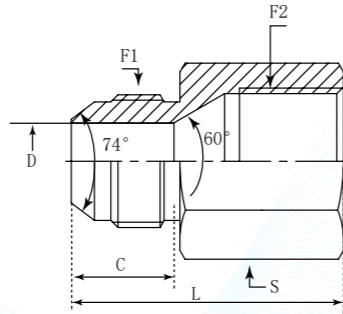
D	A	JC	M	1	52	F
Company	Product Range	Thread Types	Connection Type	Adaptor Structure	Thread Types	Connection Type
DME	Adaptor	JIC UNF	Male	Straight	Metric	Female

German Technology Equipment

SHIELD FLEX

New-Standard

- DME&JDE Code: **DAJCM152F**
- Product Type: **Hydraulic adaptor**
- Standard: **JIC and SAE-ORB**
- Structure: **Straight**
- Connection Type: **Male x Fixed Female**
- Thread Types: **UNF x Metric**



PART NUMBER	F1 (Thread)	F2 (Thread)	C	D	L	S
#	UNF	Metric	mm	mm	mm	mm
DAJCM152F-0414	7/16"-20	M14x1.5	13.97	4.37	33.5	19
DAJCM152F-0618	9/16"-18	M18x1.5	14.12	7.54	35.5	24
DAJCM152F-0822	3/4"-16	M22x1.5	16.69	9.93	38.5	27
DAJCM152F-1024	7/8"-14	M24x1.5	19.25	12.29	44	32
DAJCM152F-1230	1-1/16"-12	M30x1.5	21.95	15.47	51	36
DAJCM152F-1633	1-5/16"-12	M33x1.5	23.14	21.44	54.61	41



DAJCM105JF

Straight Connector JIC Male – JIS BSPP Fixed Female

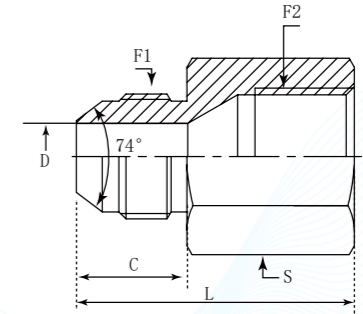
D	A	JC	M	1	05J	F
Company	Product Range	Thread Types	Connection Type	Adaptor Structure	Thread Types	Connection Type
DME	Adaptor	JIC UNF	Male	Straight	JIS BSPP	Female

German Technology Equipment

SHIELD FLEX

New-Standard

- DME&JDE Code: **DAJCM105JF**
- Product Type: **Hydraulic adaptor**
- Standard: **JIC and SAE-ORB**
- Structure: **Straight**
- Connection Type: **Male x Fixed Female**
- Thread Types: **UNF x JIS BSPP**



PART NUMBER	F1 (Thread)	F2 (Thread)	C	D	L	S
#	UNF	BSPP	mm	mm	mm	mm
DAJCM105JF-0404	7/16"-20	1/4"-19	13.97	4.37	36.00	19.00
DAJCM105JF-0604	9/16"-18	1/4"-19	14.12	7.54	36.50	19.00
DAJCM105JF-0606	9/16"-18	3/8"-19	14.12	7.54	35.05	22.00
DAJCM105JF-0806	3/4"-16	3/8"-19	16.69	9.93	36.00	24.00
DAJCM105JF-0808	3/4"-16	1/2"-14	16.69	9.93	37.00	27.00
DAJCM105JF-1616	1-5/16"-12	1"-11	23.14	19.69	54.10	41.00
DAJCM105JF-2020	1-5/8"-12	1-1/4"-11	24.33	27.38	60.00	50.00
DAJCM105JF-2424	1-7/8"-12	1-1/2"-11	27.51	33.32	66.50	55.00



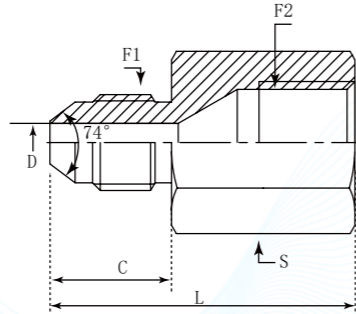
DAJCM152JF

Straight Connector JIC Male – JIS Metric Female

D	A	JC	M	1	52J	F
Company	Product Range	Thread Types	Connection Type	Adaptor Structure	Thread Types	Connection Type
DME	Adaptor	JIC UNF	Male	Straight	JIS Metric	Female



- DME&JDE Code: DAJCM152F
- Product Type: Hydraulic adaptor
- Standard: JIC and SAE-ORB
- Structure: Straight
- Connection Type: Male x Female
- Thread Types: UNF x JIS Metric



PART NUMBER	F1 (Thread)	F2 (Thread)	C	D	L	S
#	UNF	Metric	mm	mm	mm	mm
DAJCM152JF-0414	7/16"-20	M14X1.5	13.97	4.37	35.00	19.00
DAJCM152JF-0618	9/16"-18	M18X1.5	14.12	7.54	36.83	24.00
DAJCM152JF-0822	3/4"-16	M22X1.5	16.69	9.93	42.50	26.97
DAJCM152JF-1024	7/8"-14	M24X1.5	19.25	12.29	41.90	31.75
DAJCM152JF-1230	1-1/16"-12	M30X1.5	21.95	15.47	48.50	36.00
DAJCM152JF-1633	1-5/16"-12	M33X1.5	23.14	21.44	54.61	41.00



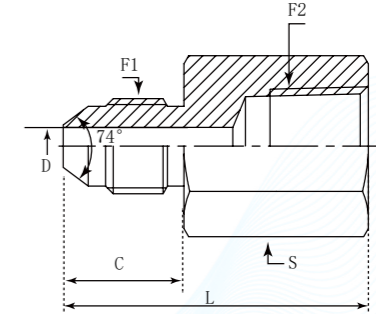
DAJCM128F

Straight Connector JIC Male – NPTF Female

D	A	JC	M	1	28	F
Company	Product Range	Thread Types	Connection Type	Adaptor Structure	Thread Types	Connection Type
DME	Adaptor	JIC UNF	Male	Straight	NPTF	Female



- DME&JDE Code: DAJCM128F
- Product Type: Hydraulic adaptor
- Standard: JIC and SAE-ORB
- Structure: Straight
- Connection Type: Male x Female
- Thread Types: UNF x NPTF



PART NUMBER	F1 (Thread)	F2 (Thread)	C	D	L	S	Hex
#	UNF	BSPP	mm	mm	mm	mm	-
DAJCM128F-0202	5/16"-24	1/8"-27	11.38	1.57	28.50	14 mm	Metric
DAJCM128F-0204	5/16"-24	1/4"-18	11.38	1.57	32.80	19 mm	Metric
DAJCM128F-0202IN	5/16"-24	1/8"-27	11.38	1.57	28.50	9/16"	Imperial
DAJCM128F-0204IN	5/16"-24	1/4"-18	11.38	1.57	32.80	3/4"	Imperial
DAJCM128F-0302	3/8"-24	1/8"-27	12.00	3.20	28.70	14 mm	Metric
DAJCM128F-0304	3/8"-24	1/4"-18	12.17	3.18	33.40	19 mm	Metric
DAJCM128F-0302IN	3/8"-24	1/8"-27	12.00	3.20	28.70	9/16"	Imperial
DAJCM128F-0304IN	3/8"-24	1/4"-18	12.17	3.18	33.40	3/4"	Imperial
DAJCM128F-0402	7/16"-20	1/8"-27	13.97	4.37	30.20	14 mm	Metric
DAJCM128F-0404	7/16"-20	1/4"-18	13.97	4.37	35.30	19 mm	Metric
DAJCM128F-0406	7/16"-20	3/8"-18	13.97	4.37	36.80	22 mm	Metric
DAJCM128F-0408	7/16"-20	1/2"-14	13.97	4.37	42.70	29 mm	Metric
DAJCM128F-0402IN	7/16"-20	1/8"-27	13.97	4.37	30.20	9/16"	Imperial
DAJCM128F-0404IN	7/16"-20	1/4"-18	13.97	4.37	35.30	3/4"	Imperial
DAJCM128F-0406IN	7/16"-20	3/8"-18	13.97	4.37	36.80	7/8"	Imperial
DAJCM128F-0408IN	7/16"-20	1/2"-14	13.97	4.37	42.70	1-1/8"	Imperial
DAJCM128F-0502	1/2"-20	1/8"-27	13.97	5.94	29.70	14 mm	Metric
DAJCM128F-0504	1/2"-20	1/4"-18	13.97	5.94	35.60	19 mm	Metric
DAJCM128F-0506	1/2"-20	3/8"-18	13.97	5.94	36.80	22 mm	Metric
DAJCM128F-0502IN	1/2"-20	1/8"-27	13.97	5.94	29.70	9/16"	Imperial
DAJCM128F-0504IN	1/2"-20	1/4"-18	13.97	5.94	35.60	3/4"	Imperial
DAJCM128F-0506IN	1/2"-20	3/8"-18	13.97	5.94	36.80	7/8"	Imperial
DAJCM128F-0602	9/16"-18	1/8"-27	14.12	7.54	31.20	16 mm	Metric
DAJCM128F-0604	9/16"-18	1/4"-18	14.12	7.14	35.60	19 mm	Metric
DAJCM128F-0606	9/16"-18	3/8"-18	14.12	7.54	39.60	22 mm	Metric
DAJCM128F-0608	9/16"-18	1/2"-14	14.12	7.54	42.90	29 mm	Metric
DAJCM128F-0612	9/16"-18	3/4"-14	14.12	7.54	44.45	36 mm	Metric
DAJCM128F-0602IN	9/16"-18	1/8"-27	14.12	7.54	31.20	5/8"	Imperial
DAJCM128F-0604IN	9/16"-18	1/4"-18	14.12	7.14	35.60	3/4"	Imperial
DAJCM128F-0606IN	9/16"-18	3/8"-18	14.12	7.54	39.60	7/8"	Imperial

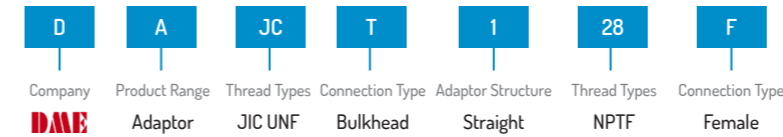


DAJCM128F-0608IN	9/16"-18	1/2"-14	14.12	7.54	42.90	1-1/8"	Imperial
DAJCM128F-0612IN	9/16"-18	3/4"-14	14.12	7.54	44.45	1-3/8"	Imperial
DAJCM128F-0804	3/4"-16	1/4"-18	16.69	9.93	39.40	22 mm	Metric
DAJCM128F-0806	3/4"-16	3/8"-18	16.69	9.93	39.60	22 mm	Metric
DAJCM128F-0808	3/4"-16	1/2"-14	16.69	9.93	45.50	29 mm	Metric
DAJCM128F-0812	3/4"-16	3/4"-14	16.69	9.93	47.10	36 mm	Metric
DAJCM128F-0816	3/4"-16	1"-11-1/2	16.69	9.93	53.30	41 mm	Metric
DAJCM128F-0804IN	3/4"-16	1/4"-18	16.69	9.93	39.40	13/16"	Imperial
DAJCM128F-0806IN	3/4"-16	3/8"-18	16.69	9.93	39.60	7/8"	Imperial
DAJCM128F-0808IN	3/4"-16	1/2"-14	16.69	9.93	45.50	1-1/8"	Imperial
DAJCM128F-0812IN	3/4"-16	3/4"-14	16.69	9.93	47.10	1-3/8"	Imperial
DAJCM128F-0816IN	3/4"-16	1"-11-1/2	16.69	9.93	53.30	1-5/8"	Imperial
DAJCM128F-1006	7/8"-14	3/8"-18	19.25	12.29	42.40	24 mm	Metric
DAJCM128F-1008	7/8"-14	1/2"-14	19.25	12.29	48.00	29 mm	Metric
DAJCM128F-1012	7/8"-14	3/4"-14	19.25	12.29	49.70	36 mm	Metric
DAJCM128F-1016	7/8"-14	1"-11-1/2	19.25	12.29	55.90	41 mm	Metric
DAJCM128F-1006IN	7/8"-14	3/8"-18	19.25	12.29	42.40	15/16"	Imperial
DAJCM128F-1008IN	7/8"-14	1/2"-14	19.25	12.29	48.00	1-1/8"	Imperial
DAJCM128F-1012IN	7/8"-14	3/4"-14	19.25	12.29	49.70	1-3/8"	Imperial
DAJCM128F-1016IN	7/8"-14	1"-11-1/2	19.25	12.29	55.90	1-5/8"	Imperial
DAJCM128F-1206	1-1/16"-12	3/8"-18	21.95	15.47	47.80	29 mm	Metric
DAJCM128F-1208	1-1/16"-12	1/2"-14	21.95	15.47	52.10	29 mm	Metric
DAJCM128F-1212	1-1/16"-12	3/4"-14	21.95	15.47	52.30	36 mm	Metric
DAJCM128F-1216	1-1/16"-12	1"-11-1/2	21.95	15.47	58.60	41 mm	Metric
DAJCM128F-1206IN	1-1/16"-12	3/8"-18	21.95	15.47	47.80	1-1/8"	Imperial
DAJCM128F-1208IN	1-1/16"-12	1/2"-14	21.95	15.47	52.10	1-1/8"	Imperial
DAJCM128F-1212IN	1-1/16"-12	3/4"-14	21.95	15.47	52.30	1-3/8"	Imperial
DAJCM128F-1216IN	1-1/16"-12	1"-11-1/2	21.95	15.47	58.60	1-5/8"	Imperial
DAJCM128F-1412	1-3/16"-12	3/4"-14	23.00	18.00	52.32	36 mm	Metric
DAJCM128F-1412IN	1-3/16"-12	3/4"-14	23.00	18.00	52.32	1-3/8"	Imperial
DAJCM128F-1612	1-5/16"-12	3/4"-14	23.14	21.44	53.90	36 mm	Metric
DAJCM128F-1616	1-5/16"-12	1"-11-1/2	23.14	21.44	59.70	41 mm	Metric
DAJCM128F-1620	1-5/16"-12	1-1/4"-11-1/2	23.14	21.44	62.00	50 mm	Metric
DAJCM128F-1624	1-5/16"-12	1-1/2"-11-1/2	23.14	21.44	62.20	59 mm	Metric
DAJCM128F-1612IN	1-5/16"-12	3/4"-14	23.14	21.44	53.90	1-3/8"	Imperial
DAJCM128F-1616IN	1-5/16"-12	1"-11-1/2	23.14	21.44	59.70	1-5/8"	Imperial
DAJCM128F-1620IN	1-5/16"-12	1-1/4"-11-1/2	23.14	21.44	62.00	2"	Imperial
DAJCM128F-1624IN	1-5/16"-12	1-1/2"-11-1/2	23.14	21.44	62.20	2-5/16"	Imperial
DAJCM128F-2016	1-5/8"-12	1"-11-1/2	24.33	27.38	62.70	43 mm	Metric
DAJCM128F-2020	1-5/8"-12	1-1/4"-11-1/2	24.33	27.38	63.30	50 mm	Metric
DAJCM128F-2024	1-5/8"-12	1-1/2"-11-1/2	24.33	27.38	63.30	59 mm	Metric
DAJCM128F-2016IN	1-5/8"-12	1"-11-1/2	24.33	27.38	62.70	1-11/16"	Imperial
DAJCM128F-2020IN	1-5/8"-12	1-1/4"-11-1/2	24.33	27.38	63.30	2"	Imperial
DAJCM128F-2024IN	1-5/8"-12	1-1/2"-11-1/2	24.33	27.38	63.30	2-5/16"	Imperial
DAJCM128F-2420	1-7/8"-12	1-1/4"-11-1/2	27.51	33.32	63.40	50 mm	Metric
DAJCM128F-2424	1-7/8"-12	1-1/2"-11-1/2	27.51	33.32	66.60	59 mm	Metric
DAJCM128F-2432	1-7/8"-12	2"-11-1/2	27.50	33.32	69.10	73 mm	Metric
DAJCM128F-2420IN	1-7/8"-12	1-1/4"-11-1/2	27.51	33.32	63.40	2"	Imperial
DAJCM128F-2424IN	1-7/8"-12	1-1/2"-11-1/2	27.51	33.32	66.60	2-5/16"	Imperial
DAJCM128F-2432IN	1-7/8"-12	2"-11-1/2	27.50	33.32	69.10	2-7/8"	Imperial
DAJCM128F-3224	2-1/2"-12	1-1/2"-11-1/2	33.86	45.24	74.93	67 mm	Metric
DAJCM128F-3232	2-1/2"-12	2"-11-1/2	33.86	45.24	75.40	73 mm	Metric
DAJCM128F-3224IN	2-1/2"-12	1-1/2"-11-1/2	33.86	45.24	74.93	2-5/8"	Imperial
DAJCM128F-3232IN	2-1/2"-12	2"-11-1/2	33.86	45.24	75.40	2-7/8"	Imperial

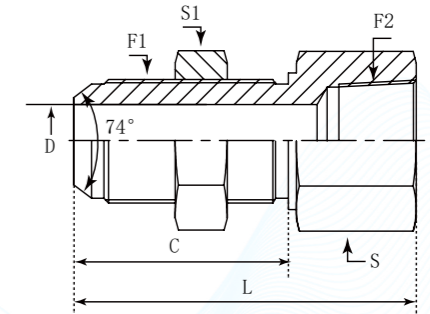
DAJCT128F



Straight Connector Bulkhead JIC Male – NPTF Female



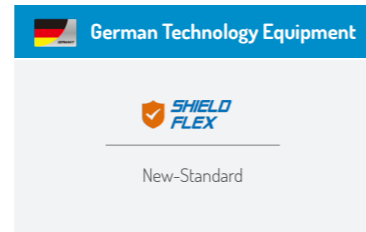
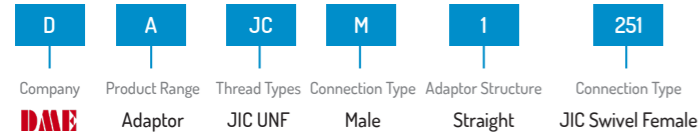
- DME&JDE Code:** DAJCT128F
- Product Type:** Hydraulic adaptor
- Standard:** JIC and SAE-ORB
- Structure:** Straight
- Connection Type:** Male x Female
- Thread Types:** UNF x NPTF
- Other Features:** Bulkhead



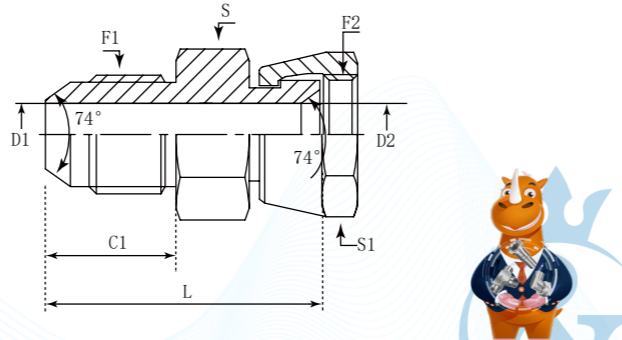
PART NUMBER	F1 (Thread)	F2 (Thread)	C	D	L	S	S1	Hex
#	UNF	NPTF	mm	mm	mm	-	-	-
DAJCT128F-0402	7/16"-20	1/8"-27	30.48	4.37	46.70	17 mm	17 mm	Metric
DAJCT128F-0404	7/16"-20	1/4"-18	30.48	4.37	52.83	19 mm	17 mm	Metric
DAJCT128F-0406	7/16"-20	3/8"-18	30.48	4.37	55.60	22 mm	17 mm	Metric
DAJCT128F-0402IN	7/16"-20	1/8"-27	30.48	4.37	46.70	11/16"	11/16"	Imperial
DAJCT128F-0404IN	7/16"-20	1/4"-18	30.48	4.37	52.83	3/4"	11/16"	Imperial
DAJCT128F-0406IN	7/16"-20	3/8"-18	30.48	4.37	55.60	7/8"	11/16"	Imperial
DAJCT128F-0604	9/16"-18	1/4"-18	32.51	7.54	55.12	22 mm	22 mm	Metric
DAJCT128F-0606	9/16"-18	3/8"-18	32.51	7.54	56.39	22 mm	22 mm	Metric
DAJCT128F-0608	9/16"-18	1/2"-14	32.51	7.54	62.50	30 mm	22 mm	Metric
DAJCT128F-0604IN	9/16"-18	1/4"-18	32.51	7.54	55.12	13/16"	13/16"	Imperial
DAJCT128F-0606IN	9/16"-18	3/8"-18	32.51	7.54	56.39	7/8"	13/16"	Imperial
DAJCT128F-0608IN	9/16"-18	1/2"-14	32.51	7.54	62.50	1-1/8"	13/16"	Imperial
DAJCT128F-0806	3/4"-16	3/8"-18	36.60	9.93	59.40	27 mm	27 mm	Metric
DAJCT128F-0808	3/4"-16	1/2"-14	36.58	9.93	66.30	30 mm	27 mm	Metric
DAJCT128F-0806IN	3/4"-16	3/8"-18	36.60	9.93	59.40	1"	1"	Imperial
DAJCT128F-0808IN	3/4"-16	1/2"-14	36.58	9.93	66.30	1-1/8"	1"	Imperial
DAJCT128F-1008	7/8"-14	1/2"-14	40.13	12.29	70.10	30 mm	30 mm	Metric
DAJCT128F-1008IN	7/8"-14	1/2"-14	40.13	12.29	70.10	1-1/8"	1-1/8"	Imperial
DAJCT128F-1212	1-1/16"-12	3/4"-14	44.45	15.47	75.95	36 mm	36 mm	Metric
DAJCT128F-1212IN	1-1/16"-12	3/4"-14	44.45	15.47	75.95	1-3/8"	1-3/8"	Imperial
DAJCT128F-1412	1-3/16"-12	3/4"-14	44.45	18.26	76.00	41 mm	41 mm	Metric
DAJCT128F-1412IN	1-3/16"-12	3/4"-14	44.45	18.26	76.00	1-1/2"	1-1/2"	Imperial
DAJCT128F-1616	1-5/16"-12	1"-11-1/2	44.45	21.44	82.04	55 mm	55 mm	Metric
DAJCT128F-1616IN	1-5/16"-12	1"-11-1/2	44.45	21.44	82.04	1-5/8"	1-5/8"	Imperial
DAJCT128F-2020	1-5/8"-12	1-1/4"-11-1/2	45.70	27.38	84.80	50 mm	50 mm	Metric
DAJCT128F-2020IN	1-5/8"-12	1-1/4"-11-1/2	45.70	27.38	84.80	2"	1-7/8"	Imperial
DAJCT128F-2424	1-7/8"-12	1-1/2"-11-1/2	45.97	33.32	86.00	60 mm	55 mm	Metric
DAJCT128F-2424IN	1-7/8"-12	1-1/2"-11-1/2	45.97	33.32	86.00	2-3/8"	2-1/8"	Imperial
DAJCT128F-3232	2-1/2"-12	2"-11-1/2	53.10	45.24	91.50	75 mm	70 mm	Metric
DAJCT128F-3232IN	2-1/2"-12	2"-11-1/2	53.10	45.24	91.50	2-7/8"	2-3/4"	Imperial

DAJCM1251

Straight Connector JIC Male – JIC Swivel Female



- DME&JDE Code: **DAJCM1251**
- Product Type: **Hydraulic adaptor**
- Standard: **JIC and SAE-ORB**
- Structure: **Straight**
- Connection Type: **Male x Swivel Female**
- Thread Types: **UNF x UNF**



PART NUMBER	F1 (Thread)	F2 (Thread)	C1	L	D1	D2	S	S1	Hex
#	UNF	NPTF	mm	mm	mm	mm	-	-	-
DAJCM1251-0304	3/8"-24	7/16"-20	12.00	3.18	3.18	26.00	12 mm	14 mm	Metric
DAJCM1251-0304IN	3/8"-24	7/16"-20	12.00	3.18	3.18	26.00	1/2"	9/16"	Imperial
DAJCM1251-0404	7/16"-20	7/16"-20	13.97	4.37	4.37	28.00	12 mm	14 mm	Metric
DAJCM1251-0405	7/16"-20	1/2"-20	13.97	4.37	5.94	30.00	14 mm	17 mm	Metric
DAJCM1251-0406	7/16"-20	9/16"-18	13.97	4.37	7.54	30.00	14 mm	17 mm	Metric
DAJCM1251-0408	7/16"-20	3/4"-16	13.97	4.37	9.93	33.50	22 mm	22 mm	Metric
DAJCM1251-0410	7/16"-20	7/8"-14	13.97	4.37	12.29	37.00	22 mm	27 mm	Metric
DAJCM1251-0404IN	7/16"-20	7/16"-20	13.97	4.37	4.37	28.00	1/2"	9/16"	Imperial
DAJCM1251-0405IN	7/16"-20	1/2"-20	13.97	4.37	5.94	30.00	9/16"	5/8"	Imperial
DAJCM1251-0406IN	7/16"-20	9/16"-18	13.97	4.37	7.54	30.00	9/16"	11/16"	Imperial
DAJCM1251-0408IN	7/16"-20	3/4"-16	13.97	4.37	9.93	33.50	13/16"	7/8"	Imperial
DAJCM1251-0410IN	7/16"-20	7/8"-14	13.97	4.37	12.29	37.00	7/8"	1"	Imperial
DAJCM1251-0505	1/2"-20	1/2"-20	13.97	5.94	5.94	29.00	14 mm	17 mm	Metric
DAJCM1251-0506	1/2"-20	9/16"-18	13.97	5.94	7.54	31.00	17 mm	17 mm	Metric
DAJCM1251-0508	1/2"-20	3/4"-16	13.97	5.94	9.93	34.50	17 mm	22 mm	Metric
DAJCM1251-0505IN	1/2"-20	1/2"-20	13.97	5.94	5.94	29.00	9/16"	5/8"	Imperial
DAJCM1251-0506IN	1/2"-20	9/16"-18	13.97	5.94	7.54	31.00	5/8"	11/16"	Imperial
DAJCM1251-0508IN	1/2"-20	3/4"-16	13.97	5.94	9.93	34.50	3/4"	7/8"	Imperial
DAJCM1251-0604	9/16"-18	7/16"-20	14.12	7.54	4.37	29.00	17 mm	14 mm	Metric
DAJCM1251-0605	9/16"-18	1/2"-20	14.12	7.54	5.94	30.00	17 mm	17 mm	Metric
DAJCM1251-0606	9/16"-18	9/16"-18	14.12	7.54	7.54	32.13	17 mm	17 mm	Metric
DAJCM1251-0608	9/16"-18	3/4"-16	14.12	7.54	9.93	33.22	17 mm	22 mm	Metric
DAJCM1251-0610	9/16"-18	7/8"-14	14.12	7.54	12.29	37.20	22 mm	27 mm	Metric
DAJCM1251-0612	9/16"-18	1-1/16"-12	14.12	7.54	15.47	37.50	27 mm	32 mm	Metric
DAJCM1251-0616	9/16"-18	1-5/16"-12	14.12	7.54	21.44	39.50	36 mm	41 mm	Metric
DAJCM1251-0604IN	9/16"-18	7/16"-20	14.12	7.54	4.37	29.00	5/8"	9/16"	Imperial
DAJCM1251-0605IN	9/16"-18	1/2"-20	14.12	7.54	5.94	30.00	5/8"	5/8"	Imperial
DAJCM1251-0606IN	9/16"-18	9/16"-18	14.12	7.54	7.54	32.13	5/8"	11/16"	Imperial
DAJCM1251-0608IN	9/16"-18	3/4"-16	14.12	7.54	9.93	33.22	13/16"	7/8"	Imperial
DAJCM1251-0610IN	9/16"-18	7/8"-14	14.12	7.54	12.29	37.20	7/8"	1"	Imperial
DAJCM1251-0612IN	9/16"-18	1-1/16"-12	14.12	7.54	15.47	37.50	1"	1-1/4"	Imperial
DAJCM1251-0616IN	9/16"-18	1-5/16"-12	14.12	7.54	21.44	39.50	13/8"	1-1/2"	Imperial
DAJCM1251-0806	3/4"-16	9/16"-18	16.69	9.93	7.54	36.50	22 mm	17 mm	Metric

DAJCM1251-0808	3/4"-16	3/4"-16	16.69	9.93	9.93	37.60	22 mm	22 mm	Metric
DAJCM1251-0810	3/4"-16	7/8"-14	16.69	9.93	12.29	39.80	24 mm	27 mm	Metric
DAJCM1251-0812	3/4"-16	1-1/16"-12	16.69	9.93	15.47	40.00	27 mm	32 mm	Metric
DAJCM1251-0816	3/4"-16	1-5/16"-12	16.69	9.93	21.44	42.20	36 mm	41 mm	Metric
DAJCM1251-0806IN	3/4"-16	9/16"-18	16.69	9.93	7.54	36.50	13/16"	11/16"	Imperial
DAJCM1251-0808IN	3/4"-16	3/4"-16	16.69	9.93	9.93	37.60	13/16"	7/8"	Imperial
DAJCM1251-0810IN	3/4"-16	7/8"-14	16.69	9.93	12.29	39.80	15/16"	1"	Imperial
DAJCM1251-0812IN	3/4"-16	1-1/16"-12	16.69	9.93	15.47	40.00	1"	1 1/4"	Imperial
DAJCM1251-0816IN	3/4"-16	1-5/16"-12	16.69	9.93	21.44	42.20	1 3/8"	1 1/2"	Imperial
DAJCM1251-1004	7/8"-14	7/16"-20	19.25	12.29	4.37	37.50	24 mm	17 mm	Metric
DAJCM1251-1006	7/8"-14	9/16"-18	19.25	12.29	7.54	39.50	24 mm	17 mm	Metric
DAJCM1251-1008	7/8"-14	3/4"-16	19.25	12.29	9.93	41.50	24 mm	22 mm	Metric
DAJCM1251-1010	7/8"-14	7/8"-14	19.25	12.29	12.29	42.00	24 mm	27 mm	Metric
DAJCM1251-1012	7/8"-14	1-1/16"-12	19.25	12.29	15.47	43.00	27 mm	32 mm	Metric
DAJCM1251-1016	7/8"-14	1-5/16"-12	19.25	12.29	21.44	44.80	36 mm	41 mm	Metric
DAJCM1251-1004IN	7/8"-14	7/16"-20	19.25	12.29	4.37	37.50	15/16"	9/16"	Imperial
DAJCM1251-1006IN	7/8"-14	9/16"-18	19.25	12.29	7.54	39.50	15/16"	11/16"	Imperial
DAJCM1251-1008IN	7/8"-14	3/4"-16	19.25	12.29	9.93	41.50	15/16"	7/8"	Imperial
DAJCM1251-1010IN	7/8"-14	7/8"-14	19.25	12.29	12.29	42.00	15/16"	1"	Imperial
DAJCM1251-1012IN	7/8"-14	1-1/16"-12	19.25	12.29	15.47	43.00	1"	1-1/4"	Imperial
DAJCM1251-1016IN	7/8"-14	1-5/16"-12	19.25	12.29	21.44	44.80	1-3/8"	1-1/2"	Imperial
DAJCM1251-1204	1-1/16"-12	7/16"-20	21.95	15.47	4.37	41.00	30 mm	17 mm	Metric
DAJCM1251-1206	1-1/16"-12	9/16"-18	21.95	15.47	7.54	43.30	30 mm	17 mm	Metric
DAJCM1251-1208	1-1/16"-12	3/4"-16	21.95	15.47	9.93	44.00	30 mm	22 mm	Metric
DAJCM1251-1210	1-1/16"-12	7/8"-14	21.95	15.47	12.29	45.00	30 mm	27 mm	Metric
DAJCM1251-1212	1-1/16"-12	1-1/16"-12	21.95	15.47	15.47	44.90	30 mm	32 mm	Metric
DAJCM1251-1216	1-1/16"-12	1-5/16"-12	21.95	15.47	21.44	47.50	36 mm	41 mm	Metric
DAJCM1251-1220	1-1/16"-12	1-5/8"-12	21.95	15.47	27.42	50.80	46 mm	50 mm	Metric
DAJCM1251-1224	1-1/16"-12	1-7/8"-12	21.95	15.47	33.32	54.50	50 mm	60 mm	Metric
DAJCM1251-1204IN	1-1/16"-12	7/16"-20	21.95	15.47	4.37	41.00	1-1/8"	9/16"	Imperial
DAJCM1251-1206IN	1-1/16"-12	9/16"-18	21.95	15.47	7.54	43.30	1-1/8"	11/16"	Imperial
DAJCM1251-1208IN	1-1/16"-12	3/4"-16	21.95	15.47	9.93	44.00	1-1/8"	7/8"	Imperial
DAJCM1251-1210IN	1-1/16"-12	7/8"-14	21.95	15.47	12.29	45.00	1-1/8"	1"	Imperial
DAJCM1251-1212IN	1-1/16"-12	1-1/16"-12	21.95	15.47	15.47	44.90	1-1/8"	1-1/4"	Imperial
DAJCM1251-1216IN	1-1/16"-12	1-5/16"-12	21.95	15.47	21.44	47.50	1-3/8"	1-1/2"	Imperial
DAJCM1251-1220IN	1-1/16"-12	1-5/8"-12	21.95	15.47	27.42	50.80	1-11/16"	2"	Imperial
DAJCM1251-1224IN	1-1/16"-12	1-7/8"-12	21.95	15.47	33.32	54.50	2"	2-1/4"	Imperial
DAJCM1251-1608	1-5/16"-12	3/4"-16	23.14	21.44	9.93	45.50	36 mm	22 mm	Metric
DAJCM1251-1612	1-5/16"-12	1-1/16"-12	23.14	21.44	15.47	47.50	36 mm	32 mm	Metric
DAJCM1251-1616	1-5/16"-12	1-5/16"-12	23.14	21.44	21.44	49.00	36 mm	41 mm	Metric
DAJCM1251-1620	1-5/16"-12	1-5/8"-12	23.14	21.44	27.42	52.00	46 mm	50 mm	Metric
DAJCM1251-1624	1-5/16"-12	1-7/8"-12	23.14	21.44	33.32	55.60	50 mm	60 mm	Metric
DAJCM1251-1608IN	1-5/16"-12	3/4"-16	23.14	21.44	9.93	45.50	1-3/8"	7/8"	Imperial
DAJCM1251-1612IN	1-5/16"-12	1-1/16"-12	23.14	21.44	15.47	47.50	1-3/8"	1-1/4"	Imperial
DAJCM1251-1616IN	1-5/16"-12	1-5/16"-12	23.14	21.44	21.44	49.00	1-3/8"	1-1/2"	Imperial
DAJCM1251-1620IN	1-5/16"-12	1-5/8"-12	23.14	21.44	27.42	52.00	1-11/16"	2"	Imperial
DAJCM1251-1624IN	1-5/16"-12	1-7/8"-12	23.14	21.44	33.32	55.60	2"	2-1/4"	Imperial
DAJCM1251-2016	1-5/8"-12	1-5/16"-12	24.33	27.38	21.44	51.80	46 mm	41 mm	Metric
DAJCM1251-2020	1-5/8"-12	1-5/8"-12	24.33	27.38	27.38	53.20	46 mm	50 mm	Metric
DAJCM1251-2024	1-5/8"-12	1-7/8"-12	24.33	27.38	33.32	56.80	50 mm	60 mm	Metric
DAJCM1251-2016IN	1-5/8"-12	1-5/16"-12	24.33	27.38	21.44	51.80	1-11/16"	1-1/2"	Imperial
DAJCM1251-2020IN	1-5/8"-12	1-5/8"-12	24.33	27.38	27.38	53.20	1-11/16"	2"	Imperial
DAJCM1251-2024IN	1-5/8"-12	1-7/8"-12	24.33	27.38	33.32	56.80	2"	2-1/4"	Imperial
DAJCM1251-2424	1-7/8"-12	1-7/8"-12	27.51	33.32	33.32	60.00	50 mm	60 mm	Metric
DAJCM1251-2424IN	1-7/8"-12	1-7/8"-12	27.51	33.32	33.32	60.00	2"	2-1/4"	Imperial
DAJCM1251-3224	2-1/2"-12	1-7/8"-12	33.86	45.24	33.32	70.50	65 mm	60 mm	Metric
DAJCM1251-3232	2-1/2"-12	2-1/2"-12	33.86	45.24	45.24	71.00	65 mm	73 mm	Metric
DAJCM1251-3224IN	2-1/2"-12	1-7/8"-12	33.86	45.24	33.32	70.50	2-5/8"	2-1/4"	Imperial
DAJCM1251-3232IN	2-1/2"-12	2-1/2"-12	33.86	45.24	45.24	71.00	2-5/8"	2-7/8"	Imperial

DAJCM1081

Straight Connector JIC Male – BSPP Swivel Female 60° Cone

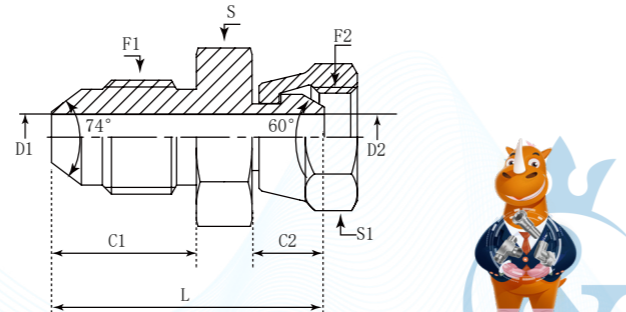
D	A	JC	M	1	081
Company	Product Range	Thread Types	Connection Type	Adaptor Structure	Connection Type
DME	Adaptor	JIC UNF	Male	Straight	BSPP Swivel Female

German Technology Equipment

SHIELD FLEX

New-Standard

- DME&JDE Code:** DAJCM1081
- Product Type:** Hydraulic adaptor
- Standard:** JIC and SAE-ORB
- Structure:** Straight
- Connection Type:** Male x Swivel Female
- Thread Types:** UNF x BSPP 60° Cone



PART NUMBER	F1 (Thread)	F2 (Thread)	C1	C2	D1	D2	L	S	S1
#	UNF	BSPP	mm	mm	mm	mm	mm	mm	mm
DAJCM1081-0402	7/16"-20	1/8"-28	13.97	9.50	4.37	3.50	29.00	14.00	14.00
DAJCM1081-0404	7/16"-20	1/4"-19	13.97	11.50	4.37	4.37	33.50	17.00	19.00
DAJCM1081-0406	7/16"-20	3/8"-19	13.97	12.50	4.37	7.90	34.00	17.00	22.00
DAJCM1081-0408	7/16"-20	1/2"-14	13.97	15.00	4.37	11.10	37.50	22.00	27.00
DAJCM1081-0504	1/2"-20	1/4"-19	13.97	11.50	4.70	4.70	33.00	14.00	19.00
DAJCM1081-0506	1/2"-20	3/8"-19	13.97	12.50	5.94	5.94	36.00	19.00	22.00
DAJCM1081-0604	9/16"-18	1/4"-19	14.12	11.50	7.54	4.70	34.00	19.00	19.00
DAJCM1081-0606	9/16"-18	3/8"-19	14.12	12.50	7.54	7.54	35.00	19.00	22.00
DAJCM1081-0608	9/16"-18	1/2"-14	14.12	15.00	7.54	11.10	36.50	22.00	27.00
DAJCM1081-0806	3/4"-16	3/8"-19	16.69	12.50	9.93	7.90	36.50	22.00	22.00
DAJCM1081-0808	3/4"-16	1/2"-14	16.69	15.00	9.93	9.93	40.70	27.00	27.00
DAJCM1081-0810	3/4"-16	5/8"-14	16.69	15.50	9.93	14.30	44.20	24.00	30.00
DAJCM1081-0812	3/4"-16	3/4"-14	16.69	17.50	9.93	16.70	42.50	27.00	32.00
DAJCM1081-1006	7/8"-14	3/8"-19	19.25	12.50	12.29	7.90	40.00	24.00	22.00
DAJCM1081-1008	7/8"-14	1/2"-14	19.25	15.00	12.29	11.10	42.00	24.00	27.00
DAJCM1081-1010	7/8"-14	5/8"-14	19.25	15.50	12.29	12.29	43.00	24.00	30.00
DAJCM1081-1012	7/8"-14	3/4"-14	19.25	17.50	12.29	16.70	45.50	27.00	32.00
DAJCM1081-1208	1-1/16"-12	1/2"-14	21.95	15.00	15.47	11.10	47.00	30.00	27.00
DAJCM1081-1212	1-1/16"-12	3/4"-14	21.95	17.50	15.47	15.47	50.20	30.00	32.00
DAJCM1081-1216	1-1/16"-12	1"-11	21.95	19.50	15.47	22.20	52.00	32.00	41.00
DAJCM1081-1612	1-5/16"-12	3/4"-14	23.14	17.50	21.44	16.70	51.50	36.00	32.00
DAJCM1081-1616	1-5/16"-12	1"-11	23.14	19.50	21.44	21.44	53.70	38.00	41.00
DAJCM1081-2020	1-5/8"-12	1-1/4"-11	24.33	21.00	27.38	27.38	57.00	46.00	50.00
DAJCM1081-2424	1-7/8"-12	1-1/2"-11	27.51	22.00	33.32	33.32	62.50	50.00	55.00
DAJCM1081-3232	2-1/2"-12	2"-11	33.86	23.00	45.25	45.25	77.00	65.00	70.00

DAJCM106Q

Straight JIC Swivel Female – BSPP Male + Retaining Ring + O Ring

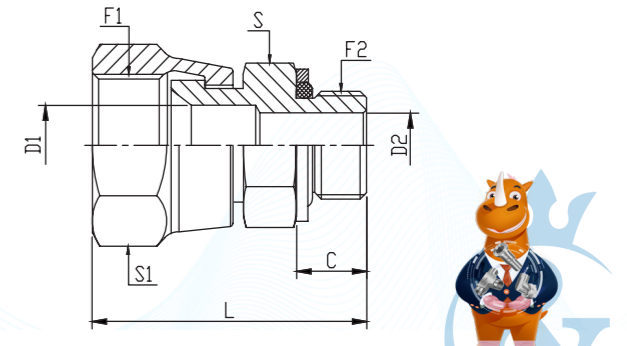
D	A	JC	1	1	06	Q
Company	Product Range	Thread Types	Connection Type	Adaptor Structure	Thread Types	Connection Type
DME	Adaptor	JIC UNF	Swivel Female	Straight	BSPP	Male + Retaining Ring + O Ring

German Technology Equipment

SHIELD FLEX

New-Standard

- DME&JDE Code:** DAJCM106Q
- Product Type:** Hydraulic adaptor
- Standard:** JIC and SAE-ORB
- Structure:** Straight
- Connection Type:** Female x Male
- Thread Types:** UNF Swivel Female x BSPP
- Sealing Method:** Retaining Ring + O Ring



PART NUMBER	F1 (Thread)	F2 (Thread)	C	L	D1	D2	S	S1
#	UNF	BSPP	mm	mm	mm	mm	mm	mm
DAJCM106Q-0402	7/16"-20	1/8"-28	7.60	24.00	4.37	4.37	14.00	14.00
DAJCM106Q-0404	7/16"-20	1/4"-19	11.20	27.80	4.37	7.50	19.00	17.00
DAJCM106Q-0502	1/2"-20	1/8"-28	7.60	24.00	5.94	4.40	17.00	17.00
DAJCM106Q-0504	1/2"-20	1/4"-19	11.20	27.80	5.94	7.50	19.00	17.00
DAJCM106Q-0506	1/2"-20	3/8"-19	11.20	29.00	5.94	9.90	22.00	17.00
DAJCM106Q-0604	9/16"-18	1/4"-19	11.20	29.00	7.54	7.54	19.00	19.00
DAJCM106Q-0606	9/16"-18	3/8"-19	11.20	30.00	7.54	9.90	22.00	19.00
DAJCM106Q-0608	9/16"-18	1/2"-14	14.50	33.00	7.54	12.29	27.00	19.00
DAJCM106Q-0804	3/4"-16	1/4"-19	11.20	31.00	9.93	7.50	19.00	22.00
DAJCM106Q-0806	3/4"-16	3/8"-19	11.20	30.00	9.93	9.93	22.00	24.00
DAJCM106Q-0808	3/4"-16	1/2"-14	14.50	34.00	9.93	12.30	30.00	24.00
DAJCM106Q-0812	3/4"-16	3/4"-14	14.50	36.00	9.93	15.47	36.00	24.00
DAJCM106Q-1006	7/8"-14	3/8"-19	11.20	34.00	12.29	9.93	24.00	27.00
DAJCM106Q-1008	7/8"-14	1/2"-14	14.50	35.00	12.29	12.29	27.00	27.00
DAJCM106Q-1010	7/8"-14	5/8"-14	14.50	37.00	12.29	12.29	30.00	27.00
DAJCM106Q-1012	7/8"-14	3/4"-14	14.50	38.00	12.29	12.29	36.00	27.00
DAJCM106Q-1208	1-1/16"-12	1/2"-14	14.50	38.50	15.47	12.29	30.00	32.00
DAJCM106Q-1212	1-1/16"-12	3/4"-14	14.50	40.00	15.47	15.47	36.00	32.00
DAJCM106Q-1216	1-1/16"-12	1"-11	18.60	44.00	15.47	21.44	41.00	32.00
DAJCM106Q-1612	1-5/16"-12	3/4"-14	14.50	40.00	21.44	15.50	36.00	41.00
DAJCM106Q-1616	1-5/16"-12	1"-11	18.60	46.50	21.44	21.44	46.00	41.00
DAJCM106Q-1620	1-5/16"-12	1-1/4"-11	18.60	48.00	21.44	27.38	50.00	41.00
DAJCM106Q-2016	1-5/8"-12	1"-11	18.60	48.00	27.38	21.50	46.00	50.00
DAJCM106Q-2020	1-5/8"-12	1-1/4"-11	18.60	50.00	27.38	27.38	50.00	50.00
DAJCM106Q-2024	1-5/8"-12	1-1/2"-11	18.60	49.00	27.42	33.00	55.00	50.00
DAJCM106Q-2424	1-7/8"-12	1-1/2"-11	18.60	49.00	33.00	33.00	55.00	55.00
DAJCM106Q-3232	2-1/2"-12	2"-11	18.60	50.80	45.00	45.00	70.00	75.00

DAJC11065

Straight Connector JIC Swivel Female – BSPP Male + O Ring

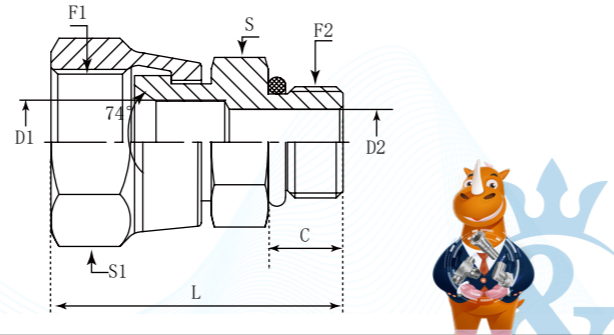
D	A	JC	1	1	06	5
Company	Product Range	Thread Types	Connection Type	Adaptor Structure	Thread Types	Connection Type
DME	Adaptor	JIC UNF	Swivel Female	Straight	BSPP	Male + O Ring

German Technology Equipment

SHIELD FLEX

New-Standard

- DME&JDE Code: **DAJC11065**
- Product Type: **Hydraulic adaptor**
- Standard: **JIC and SAE-ORB**
- Structure: **Straight**
- Connection Type: **Swivel Female x Male**
- Thread Types: **UNF x BSPP**
- Sealing Method: **O Ring**



PART NUMBER	F1 (Thread)	F2 (Thread)	C	L	D1	D2	S	S1
#	UNF	BSPP	mm	mm	mm	mm	mm	mm
DAJC11065-0402	7/16"-20	1/8"-28	7.60	24.00	4.37	4.37	14.00	14.00
DAJC11065-0404	7/16"-20	1/4"-19	11.20	27.80	4.37	7.50	19.00	17.00
DAJC11065-0502	1/2"-20	1/8"-28	7.60	24.00	5.94	4.40	17.00	17.00
DAJC11065-0504	1/2"-20	1/4"-19	11.20	27.80	5.94	7.50	19.00	17.00
DAJC11065-0506	1/2"-20	3/8"-19	11.20	29.00	5.94	9.90	22.00	17.00
DAJC11065-0604	9/16"-18	1/4"-19	11.20	29.00	7.54	7.54	19.00	19.00
DAJC11065-0606	9/16"-18	3/8"-19	11.20	30.00	7.54	9.90	22.00	19.00
DAJC11065-0608	9/16"-18	1/2"-14	14.50	33.00	7.54	12.29	27.00	19.00
DAJC11065-0804	3/4"-16	1/4"-19	11.20	31.00	9.93	7.50	19.00	22.00
DAJC11065-0806	3/4"-16	3/8"-19	11.20	30.00	9.93	9.93	22.00	24.00
DAJC11065-0808	3/4"-16	1/2"-14	14.50	34.00	9.93	12.30	27.00	24.00
DAJC11065-0812	3/4"-16	3/4"-14	14.50	36.00	9.93	15.47	36.00	24.00
DAJC11065-1006	7/8"-14	3/8"-19	11.20	34.00	12.29	9.93	24.00	27.00
DAJC11065-1008	7/8"-14	1/2"-14	14.50	35.00	12.29	12.29	27.00	27.00
DAJC11065-1010	7/8"-14	5/8"-14	14.50	37.00	12.29	12.29	30.00	27.00
DAJC11065-1012	7/8"-14	3/4"-14	14.50	38.00	12.29	12.29	36.00	27.00
DAJC11065-1208	1-1/16"-12	1/2"-14	14.50	38.50	15.47	12.29	30.00	32.00
DAJC11065-1212	1-1/16"-12	3/4"-14	14.50	40.00	15.47	15.47	36.00	32.00
DAJC11065-1216	1-1/16"-12	1"-11	18.60	44.00	15.47	21.44	41.00	32.00
DAJC11065-1612	1-5/16"-12	3/4"-14	14.50	40.00	21.44	15.50	36.00	41.00
DAJC11065-1616	1-5/16"-12	1"-11	18.60	46.50	21.44	21.44	46.00	41.00
DAJC11065-1620	1-5/16"-12	1-1/4"-11	18.60	48.00	21.44	27.38	50.00	41.00
DAJC11065-2016	1-5/8"-12	1"-11	18.60	48.00	27.38	21.50	46.00	50.00
DAJC11065-2020	1-5/8"-12	1-1/4"-11	18.60	50.00	27.38	27.38	50.00	50.00
DAJC11065-2024	1-5/8"-12	1-1/2"-11	18.60	49.00	27.42	33.00	55.00	50.00
DAJC11065-2424	1-7/8"-12	1-1/2"-11	18.60	49.00	33.00	33.00	55.00	55.00
DAJC11065-3232	2-1/2"-12	2"-11	18.60	50.80	45.00	45.00	70.00	75.00

DAJC11061

Straight Connector JIC Swivel Female – BSPP Male 60° with ED Seal

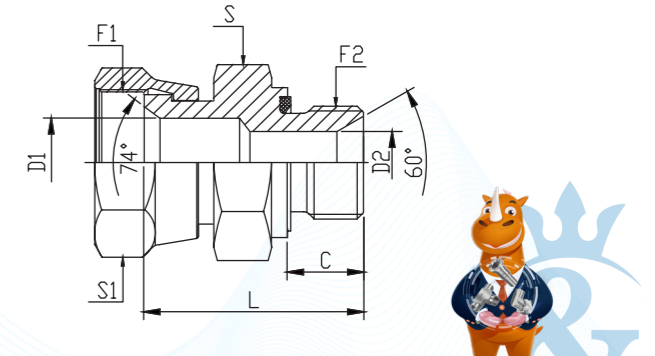
D	A	JC	1	1	061
Company	Product Range	Thread Types	Connection Type	Adaptor Structure	Thread Types
DME	Adaptor	JIC UNF	Swivel Female	Straight	BSPP Male with ED Seal

German Technology Equipment

SHIELD FLEX

New-Standard

- DME&JDE Code: **DAJC11061**
- Product Type: **Hydraulic adaptor**
- Standard: **JIC and SAE-ORB**
- Structure: **Straight**
- Connection Type: **Swivel Female x Male**
- Thread Types: **UNF x BSPP**
- Sealing Method: **ED Ring**



PART NUMBER	F1 (Thread)	F2 (Thread)	C	D1	D2	L	S	S1
#	UNF	BSPP	mm	mm	mm	mm	mm	mm
DAJC11061-0402	7/16"-20	1/8"-28	8.00	4.00	4.00	23.00	14.00	14.00
DAJC11061-0404	7/16"-20	1/4"-19	12.00	4.37	4.37	28.00	19.00	17.00
DAJC11061-0604	9/16"-18	1/4"-19	12.00	7.54	6.00	30.00	19.00	19.00
DAJC11061-0606	9/16"-18	3/8"-19	12.00	7.50	7.50	31.00	22.00	19.00
DAJC11061-0608	9/16"-18	1/2"-14	14.00	7.54	11.10	35.00	27.00	19.00
DAJC11061-0804	3/4"-16	1/4"-19	12.00	9.93	6.00	33.00	19.00	22.00
DAJC11061-0806	3/4"-16	3/8"-19	12.00	9.93	7.90	30.00	22.00	24.00
DAJC11061-0808	3/4"-16	1/2"-14	14.00	9.93	9.93	37.00	27.00	22.00
DAJC11061-0810	3/4"-16	5/8"-14	14.00	9.93	14.00	37.00	30.00	22.00
DAJC11061-1008	7/8"-14	1/2"-14	14.00	12.00	12.00	36.50	27.00	27.00
DAJC11061-1208	1-1/16"-12	1/2"-14	14.00	15.47	14.00	39.00	27.00	32.00
DAJC11061-1212	1-1/16"-12	3/4"-14	16.00	15.47	18.00	41.00	32.00	32.00
DAJC11061-1216	1-1/16"-12	1"-11	18.00	15.47	22.20	44.00	41.00	32.00
DAJC11061-1612	1-5/16"-12	3/4"-14	16.00	21.44	18.00	43.00	36.00	41.00
DAJC11061-1616	1-5/16"-12	1"-11	18.00	21.40	21.40	46.00	41.00	41.00
DAJC11061-2016	1-5/8"-12	1"-11	18.00	27.42	23.00	48.00	41.00	50.00
DAJC11061-2020	1-5/8"-12	1-1/4"-11	20.00	27.42	27.42	52.50	50.00	50.00
DAJC11061-2424	1-7/8"-12	1-1/2"-11	22.00	33.00	33.00	58.00	55.00	60.00

DAJC1152Q

Straight JIC Swivel Female – Metric Male + Retaining Ring + O Ring

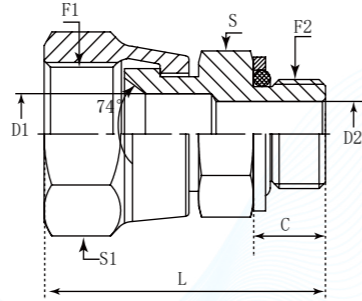
D	A	JC	1	1	52	0
Company	Product Range	Thread Types	Connection Type	Adaptor Structure	Thread Types	Connection Type
DME	Adaptor	JIC UNF	Swivel Female	Straight	Metric	Male + Retaining Ring + O Ring

German Technology Equipment

SHIELD FLEX

New-Standard

- DME&JDE Code: **DAJC1152Q**
- Product Type: **Hydraulic adaptor**
- Standard: **JIC and SAE-ORB**
- Structure: **Straight**
- Connection Type: **Swivel Female x Male**
- Thread Types: **UNF x Metric**
- Sealing Method: **O Ring + Retaining Ring**



PART NUMBER	F1 (Thread)	F2 (Thread)	C	L	D1	D2	S	S1
#	UNF	Metric	mm	mm	mm	mm	mm	mm
DAJC1152Q-0410	7/16"-20	M10X1	9.00	25.00	4.00	4.00	14.00	17.00
DAJC1152Q-0512	1/2"-20	M12X1.5	11.00	26.00	5.94	5.94	17.00	17.00
DAJC1152Q-0614	9/16"-18	M14X1.5	11.00	27.30	7.50	7.50	19.00	19.00
DAJC1152Q-0616	9/16"-18	M16X1.5	11.50	28.00	7.50	9.00	22.00	19.00
DAJC1152Q-0618	9/16"-18	M18X1.5	12.50	30.00	7.50	11.00	24.00	19.00
DAJC1152Q-0622	9/16"-18	M22X1.5	13.00	31.00	7.50	14.00	27.00	19.00
DAJC1152Q-0818	3/4"-16	M18X1.5	12.50	31.00	9.93	9.93	24.00	24.00
DAJC1152Q-0822	3/4"-16	M22X1.5	13.00	32.00	9.90	14.00	27.00	24.00

DAJC11305

Straight Connector JIC Swivel Female – SAE Male + O Ring

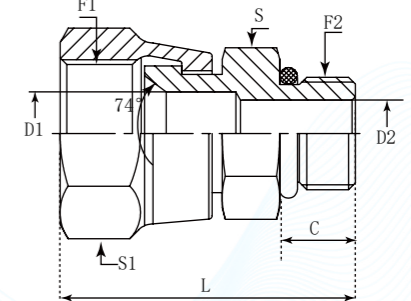
D	A	JC	1	1	30	30
Company	Product Range	Thread Types	Connection Type	Adaptor Structure	Thread Types	Connection Type
DME	Adaptor	JIC UNF	Swivel Female	Straight	SAE UNF	Male + O Ring

German Technology Equipment

SHIELD FLEX

New-Standard

- DME&JDE Code: **DAJC11305**
- Product Type: **Hydraulic adaptor**
- Standard: **JIC and SAE-ORB**
- Structure: **Straight**
- Connection Type: **Swivel Female x Male**
- Thread Types: **UNF x UNF**
- Sealing Method: **O Ring**



PART NUMBER	F1 (Thread)	F2 (Thread)	C	L	D1	D2	S	S1	Hex
#	UNF	UNF	mm	mm	mm	mm	-	-	-
DAJC11305-0404	7/16"-20	7/16"-20	9.14	4.37	4.37	34.1	14 mm	14 mm	Metric
DAJC11305-0405	7/16"-20	1/2"-20	9.14	4.37	5.94	34.8	17 mm	14 mm	Metric
DAJC11305-0406	7/16"-20	9/16"-18	9.93	4.37	7.54	34.7	17 mm	14 mm	Metric
DAJC11305-0404IN	7/16"-20	7/16"-20	9.14	4.37	4.37	34.1	9/16"	9/16"	Imperial
DAJC11305-0405IN	7/16"-20	1/2"-20	9.14	4.37	5.94	34.8	5/8"	9/16"	Imperial
DAJC11305-0406IN	7/16"-20	9/16"-18	9.93	4.37	7.54	34.7	11/16"	9/16"	Imperial
DAJC11305-0505	1/2"-20	1/2"-20	9.14	5.94	5.94	34.80	17 mm	17 mm	Metric
DAJC11305-0505IN	1/2"-20	1/2"-20	9.14	5.94	5.94	34.80	5/8"	5/8"	Imperial
DAJC11305-0604	9/16"-18	7/16"-20	9.14	7.54	4.37	27.8	14 mm	19 mm	Metric
DAJC11305-0606	9/16"-18	9/16"-18	9.93	7.54	7.54	38.4	17 mm	19 mm	Metric
DAJC11305-0608	9/16"-18	3/4"-16	11.13	7.54	9.93	40.5	22 mm	19 mm	Metric
DAJC11305-0610	9/16"-18	7/8"-14	12.7	7.54	12.29	43.5	27 mm	19 mm	Metric
DAJC11305-0612	9/16"-18	1-1/16"-12	15.09	7.54	15.47	38	32 mm	19 mm	Metric
DAJC11305-0604IN	9/16"-18	7/16"-20	9.14	7.54	4.37	27.8	9/16"	11/16"	Imperial
DAJC11305-0606IN	9/16"-18	9/16"-18	9.93	7.54	7.54	38.4	11/16"	11/16"	Imperial
DAJC11305-0608IN	9/16"-18	3/4"-16	11.13	7.54	9.93	40.5	7/8"	11/16"	Imperial
DAJC11305-0610IN	9/16"-18	7/8"-14	12.7	7.54	12.29	43.5	1"	11/16"	Imperial
DAJC11305-0612IN	9/16"-18	1-1/16"-12	15.09	7.54	15.47	38	1-1/4"	11/16"	Imperial
DAJC11305-0806	3/4"-16	9/16"-18	9.93	7.54	7.54	39.9	27 mm	22 mm	Metric
DAJC11305-0808	3/4"-16	3/4"-16	11.13	9.93	9.93	42.8	22 mm	22 mm	Metric



DAJC11305-0810	3/4"-16	7/8"-14	12.7	9.93	12.29	46	27 mm	22 mm	Metric
DAJC11305-0812	3/4"-16	1-1/16"-12	15.09	9.93	15.47	49	32 mm	22 mm	Metric
DAJC11305-0806IN	3/4"-16	9/16"-18	9.93	7.54	7.54	39.9	13/16"	7/8"	Imperial
DAJC11305-0808IN	3/4"-16	3/4"-16	11.13	9.93	9.93	42.8	7/8"	7/8"	Imperial
DAJC11305-0810IN	3/4"-16	7/8"-14	12.7	9.93	12.29	46	1"	7/8"	Imperial
DAJC11305-0812IN	3/4"-16	1-1/16"-12	15.09	9.93	15.47	49	1-1/4"	7/8"	Imperial
DAJC11305-1006	7/8"-14	9/16"-18	9.93	12.29	7.54	34	22 mm	27 mm	Metric
DAJC11305-1008	7/8"-14	3/4"-16	11.13	12.29	9.93	44.5	27 mm	27 mm	Metric
DAJC11305-1010	7/8"-14	7/8"-14	12.7	12.29	12.29	50.1	27 mm	27 mm	Metric
DAJC11305-1012	7/8"-14	1-1/16"-12	15.09	12.29	15.47	53.3	32 mm	27 mm	Metric
DAJC11305-1006IN	7/8"-14	9/16"-18	9.93	12.29	7.54	34	7/8"	1"	Imperial
DAJC11305-1008IN	7/8"-14	3/4"-16	11.13	12.29	9.93	44.5	1"	1"	Imperial
DAJC11305-1010IN	7/8"-14	7/8"-14	12.7	12.29	12.29	50.1	1"	1"	Imperial
DAJC11305-1012IN	7/8"-14	1-1/16"-12	15.09	12.29	15.47	53.3	1-1/4"	1"	Imperial
DAJC11305-1208	1-1/16"-12	3/4"-16	11.13	15.47	9.93	53	27 mm	32 mm	Metric
DAJC11305-1210	1-1/16"-12	7/8"-14	12.7	15.47	12.29	51.6	27 mm	32 mm	Metric
DAJC11305-1212	1-1/16"-12	1-1/16"-12	15.09	15.47	15.47	55.7	32 mm	32 mm	Metric
DAJC11305-1216	1-1/16"-12	1-5/16"-12	15.09	15.47	21.44	56.9	41 mm	32 mm	Metric
DAJC11305-1208IN	1-1/16"-12	3/4"-16	11.13	15.47	9.93	53	1"	1-1/4"	Imperial
DAJC11305-1210IN	1-1/16"-12	7/8"-14	12.7	15.47	12.29	51.6	1"	1-1/4"	Imperial
DAJC11305-1212IN	1-1/16"-12	1-1/16"-12	15.09	15.47	15.47	55.7	1-1/4"	1-1/4"	Imperial
DAJC11305-1216IN	1-1/16"-12	1-5/16"-12	15.09	15.47	21.44	56.9	1-1/2"	1-1/4"	Imperial
DAJC11305-1612	1-5/16"-12	1-1/16"-12	15.09	21.44	15.47	54.3	41 mm	41 mm	Metric
DAJC11305-1616	1-5/16"-12	1-5/16"-12	15.09	21.44	21.44	58.8	41 mm	41 mm	Metric
DAJC11305-1620	1-5/16"-12	1-5/8"-12	15.09	21.44	27.38	60.5	50 mm	41 mm	Metric
DAJC11305-1612IN	1-5/16"-12	1-1/16"-12	15.09	21.44	15.47	54.3	1-1/2"	1-1/2"	Imperial
DAJC11305-1616IN	1-5/16"-12	1-5/16"-12	15.09	21.44	21.44	58.8	1-1/2"	1-1/2"	Imperial
DAJC11305-1620IN	1-5/16"-12	1-5/8"-12	15.09	21.44	27.38	60.5	1-7/8"	1-1/2"	Imperial
DAJC11305-2016	1-5/8"-12	1-5/16"-12	15.09	27.42	21.44	48.7	50 mm	50 mm	Metric
DAJC11305-2020	1-5/8"-12	1-5/8"-12	15.09	27.38	27.38	61.7	50 mm	50 mm	Metric
DAJC11305-2016IN	1-5/8"-12	1-5/16"-12	15.09	27.42	21.44	48.7	1-7/8"	2"	Imperial
DAJC11305-2020IN	1-5/8"-12	1-5/8"-12	15.09	27.38	27.38	61.7	1-7/8"	2"	Imperial
DAJC11305-2424	1-7/8"-12	1-7/8"-12	15.09	33.32	33.32	67.7	55 mm	55 mm	Metric
DAJC11305-2424IN	1-7/8"-12	1-7/8"-12	15.09	33.32	33.32	67.7	2-1/8"	2-1/4"	Imperial
DAJC11305-3232	2-1/2"-12	2-1/2"-12	15.09	45.24	45.24	79.1	70 mm	75 mm	Metric
DAJC11305-3232IN	2-1/2"-12	2-1/2"-12	15.09	45.24	45.24	79.1	2-3/4"	2-7/8"	Imperial

DAJC11525

Straight Connector JIC Swivel Female – Metric Male + O Ring

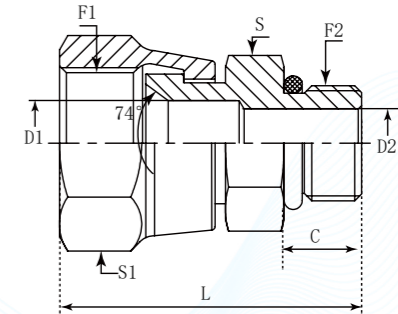
D	A	JC	1	1	52	5
Company	Product Range	Thread Types	Connection Type	Adaptor Structure	Thread Types	Connection Type
DME	Adaptor	JIC UNF	Swivel Female	Straight	Metric	Male + O Ring

German Technology Equipment

SHIELD FLEX

New-Standard

- DME&JDE Code:** DAJC11525
- Product Type:** Hydraulic adaptor
- Standard:** JIC and SAE-ORB
- Structure:** Straight
- Connection Type:** Swivel Female x Male
- Thread Types:** UNF x Metric
- Sealing Method:** O Ring



PART NUMBER	F1 (Thread)	F2 (Thread)	C	L	D1	D2	S	S1
#	UNF	Metric	mm	mm	mm	mm	mm	mm
DAJC11525-0410	7/16"-20	M10X1	9.00	25.00	4.00	4.00	14.00	17.00
DAJC11525-0512	1/2"-20	M12X1.5	11.00	26.00	5.94	5.94	17.00	17.00
DAJC11525-0614	9/16"-18	M14X1.5	11.00	27.30	7.50	7.50	19.00	19.00
DAJC11525-0616	9/16"-18	M16X1.5	11.50	28.00	7.50	9.00	22.00	19.00
DAJC11525-0618	9/16"-18	M18X1.5	12.50	30.00	7.50	11.00	24.00	19.00
DAJC11525-0622	9/16"-18	M22X1.5	13.00	31.00	7.50	14.00	27.00	19.00
DAJC11525-0818	3/4"-16	M18X1.5	12.50	31.00	9.93	9.93	24.00	24.00
DAJC11525-0822	3/4"-16	M22X1.5	13.00	32.00	9.90	14.00	27.00	24.00

DAJC1128M

Straight Connector JIC Swivel Female – NPTF Male 60°

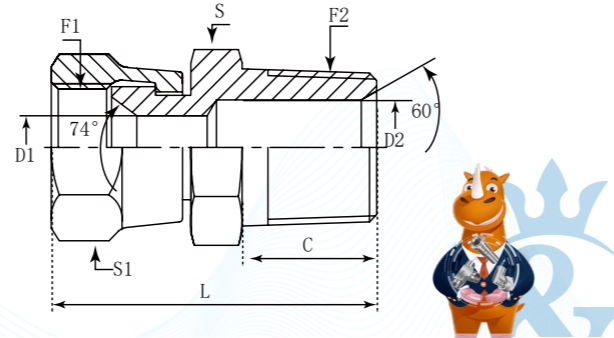
D	A	JC	1	1	28	M
Company	Product Range	Thread Types	Connection Type	Adaptor Structure	Thread Types	Connection Type
DME	Adaptor	JIC UNF	Swivel Female	Straight	NPTF	Male

German Technology Equipment

SHIELD FLEX

New-Standard

- DME&JDE Code:** DAJC1128M
- Product Type:** Hydraulic adaptor
- Standard:** JIC and SAE-ORB
- Structure:** Straight
- Connection Type:** Swivel Female x Male
- Thread Types:** UNF x NPTF 60°



PART NUMBER	F1 (Thread)	F2 (Thread)	C	L	D1	D2	S	S1	S1
#	UNF	NPTF	mm	mm	mm	mm	mm	mm	mm
DAJC1128M-0202	5/16"-24	1/8"-27	9.65	24.90	1.57	4.78	11 mm	11 mm	Metric
DAJC1128M-0202IN	5/16"-24	1/8"-27	9.65	24.90	1.57	4.78	7/16"	7/16"	Imperial
DAJC1128M-0402	7/16"-20	1/8"-27	9.65	25.50	4.37	4.37	12 mm	14 mm	Metric
DAJC1128M-0404	7/16"-20	1/4"-18	14.22	30.71	4.37	7.14	14 mm	14 mm	Metric
DAJC1128M-0406	7/16"-20	3/8"-18	14.22	31.20	4.37	10.31	19 mm	14 mm	Metric
DAJC1128M-0408	7/16"-20	1/2"-14	19.05	36.80	4.37	13.49	22 mm	14 mm	Metric
DAJC1128M-0402IN	7/16"-20	1/8"-27	9.65	25.50	4.37	4.37	1/2"	9/16"	Imperial
DAJC1128M-0404IN	7/16"-20	1/4"-18	14.22	30.71	4.37	7.14	9/16"	9/16"	Imperial
DAJC1128M-0406IN	7/16"-20	3/8"-18	14.22	31.20	4.37	10.31	3/4"	9/16"	Imperial
DAJC1128M-0408IN	7/16"-20	1/2"-14	19.05	36.80	4.37	13.49	7/8"	9/16"	Imperial
DAJC1128M-0502	1/2"-20	1/8"-27	9.65	26.20	4.78	4.78	14 mm	17 mm	Metric
DAJC1128M-0504	1/2"-20	1/4"-18	14.22	31.50	5.94	7.14	17 mm	17 mm	Metric
DAJC1128M-0502IN	1/2"-20	1/8"-27	9.65	26.20	4.78	4.78	9/16"	5/8"	Imperial
DAJC1128M-0504IN	1/2"-20	1/4"-18	14.22	31.50	5.94	7.14	5/8"	5/8"	Imperial
DAJC1128M-0602	9/16"-18	1/8"-27	9.65	26.50	7.54	4.78	14 mm	17 mm	Metric
DAJC1128M-0604	9/16"-18	1/4"-18	14.22	32.50	7.14	7.14	17 mm	19 mm	Metric
DAJC1128M-0606	9/16"-18	3/8"-18	14.22	32.10	7.54	10.31	19 mm	19 mm	Metric
DAJC1128M-0608	9/16"-18	1/2"-14	19.05	38.50	7.54	13.49	22 mm	19 mm	Metric
DAJC1128M-0602IN	9/16"-18	1/8"-27	9.65	26.50	7.54	4.78	9/16"	5/8"	Imperial
DAJC1128M-0604IN	9/16"-18	1/4"-18	14.22	32.50	7.14	7.14	5/8"	11/16"	Imperial

DAJC1128M-0606IN	9/16"-18	3/8"-18	14.22	32.10	7.54	10.31	3/4"	11/16"	Imperial
DAJC1128M-0608IN	9/16"-18	1/2"-14	19.05	38.50	7.54	13.49	7/8"	11/16"	Imperial
DAJC1128M-0804	3/4"-16	1/4"-18	14.22	33.22	9.90	7.14	22 mm	22 mm	Metric
DAJC1128M-0806	3/4"-16	3/8"-18	14.22	33.40	9.90	9.90	19 mm	22 mm	Metric
DAJC1128M-0808	3/4"-16	1/2"-14	19.05	39.57	9.93	13.49	22 mm	22 mm	Metric
DAJC1128M-0812	3/4"-16	3/4"-14	19.05	42.40	9.90	18.26	30 mm	22 mm	Metric
DAJC1128M-0804IN	3/4"-16	1/4"-18	14.22	33.22	9.90	7.14	7/8"	7/8"	Imperial
DAJC1128M-0806IN	3/4"-16	3/8"-18	14.22	33.40	9.90	9.90	13/16"	7/8"	Imperial
DAJC1128M-0808IN	3/4"-16	1/2"-14	19.05	39.57	9.93	13.49	7/8"	7/8"	Imperial
DAJC1128M-0812IN	3/4"-16	3/4"-14	19.05	42.40	9.90	18.26	1-1/8"	7/8"	Imperial
DAJC1128M-1006	7/8"-14	3/8"-18	14.22	36.50	10.31	10.31	27 mm	27 mm	Metric
DAJC1128M-1008	7/8"-14	1/2"-14	19.05	40.65	12.29	12.29	24 mm	27 mm	Metric
DAJC1128M-1012	7/8"-14	3/4"-14	19.05	42.70	12.29	18.26	30 mm	27 mm	Metric
DAJC1128M-1006IN	7/8"-14	3/8"-18	14.22	36.50	10.31	10.31	1"	1"	Imperial
DAJC1128M-1008IN	7/8"-14	1/2"-14	19.05	40.65	12.29	12.29	15/16"	1"	Imperial
DAJC1128M-1012IN	7/8"-14	3/4"-14	19.05	42.70	12.29	18.26	1-1/8"	1"	Imperial
DAJC1128M-1208	1-1/16"-12	1/2"-14	19.05	40.00	15.47	13.49	27 mm	32 mm	Metric
DAJC1128M-1212	1-1/16"-12	3/4"-14	19.05	43.60	15.47	18.26	30 mm	32 mm	Metric
DAJC1128M-1216	1-1/16"-12	1"-11-1/2	23.88	48.50	15.47	23.83	36 mm	32 mm	Metric
DAJC1128M-1208IN	1-1/16"-12	1/2"-14	19.05	40.00	15.47	13.49	1"	1-1/4"	Imperial
DAJC1128M-1212IN	1-1/16"-12	3/4"-14	19.05	43.60	15.47	18.26	1-1/8"	1-1/4"	Imperial
DAJC1128M-1216IN	1-1/16"-12	1"-11-1/2	23.88	48.50	15.47	23.83	1-3/8"	1-1/4"	Imperial
DAJC1128M-1412	1-3/16"-12	3/4"-14	19.05	43.30	18.26	18.26	32 mm	36 mm	Metric
DAJC1128M-1412IN	1-3/16"-12	3/4"-14	19.05	43.30	18.26	18.26	1-1/4"	1-3/8"	Imperial
DAJC1128M-1612	1-5/16"-12	3/4"-14	19.05	44.10	21.44	18.26	32 mm	41 mm	Metric
DAJC1128M-1616	1-5/16"-12	1"-11-1/2	23.88	65.30	21.44	23.83	36 mm	41 mm	Metric
DAJC1128M-1612IN	1-5/16"-12	3/4"-14	19.05	44.10	21.44	18.26	1-1/4"	1-1/2"	Imperial
DAJC1128M-1616IN	1-5/16"-12	1"-11-1/2	23.88	65.30	21.44	23.83	1-3/8"	1-1/2"	Imperial
DAJC1128M-2016	1-5/8"-12	1"-11-1/2	23.88	52.70	27.42	23.83	46 mm	50 mm	Metric
DAJC1128M-2020	1-5/8"-12	1-1/4"-11-1/2	24.64	56.13	27.42	31.75	46 mm	50 mm	Metric
DAJC1128M-2016IN	1-5/8"-12	1"-11-1/2	23.88	52.70	27.42	23.83	1-11/16"	2"	Imperial
DAJC1128M-2020IN	1-5/8"-12	1-1/4"-11-1/2	24.64	56.13	27.42	31.75	1-11/16"	2"	Imperial
DAJC1128M-2420	1-7/8"-12	1-1/4"-11-1/2	24.64	56.50	33.32	31.75	50 mm	55 mm	Metric
DAJC1128M-2424	1-7/8"-12	1-1/2"-11-1/2	25.40	57.70	33.32	38.10	50 mm	55 mm	Metric
DAJC1128M-2420IN	1-7/8"-12	1-1/4"-11-1/2	24.64	56.50	33.32	31.75	2"	2-1/4"	Imperial
DAJC1128M-2424IN	1-7/8"-12	1-1/2"-11-1/2	25.40	57.70	33.32	38.10	2"	2-1/4"	Imperial
DAJC1128M-3232	2-1/2"-12	2"-11-1/2	26.16	63.50	45.24	49.23	65 mm	75 mm	Metric
DAJC1128M-3232IN	2-1/2"-12	2"-11-1/2	26.16	63.50	45.24	49.23	2-5/8"	2-7/8"	Imperial

DAJC1107M

Straight Connector JIC Swivel Female – BSPT Male 60°

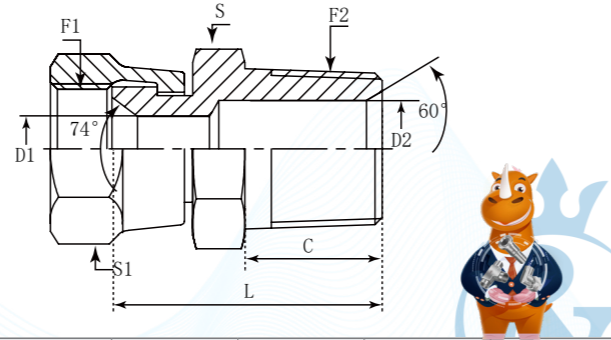
D	A	JC	1	1	07	M
Company	Product Range	Thread Types	Connection Type	Adaptor Structure	Thread Types	Connection Type
DME	Adaptor	JIC UNF	Swivel Female	Straight	BSPT	Male

German Technology Equipment

SHIELD FLEX

New-Standard

- DME&JDE Code: **DAJC1107M**
- Product Type: **Hydraulic adaptor**
- Standard: **JIC and SAE-ORB**
- Structure: **Straight**
- Connection Type: **Swivel Female x Male**
- Thread Types: **UNF x BSPT 60°**



PART NUMBER	F1 (Thread)	F2 (Thread)	C	L	D1	D2	S	S1
#	UNF	BSPT	mm	mm	mm	mm	mm	mm
DAJC1107M-0402	7/16"-20	1/8"-28	10.00	24.50	4.37	4.37	12.00	17.00
DAJC1107M-0404	7/16"-20	1/4"-19	14.00	28.50	4.37	6.00	14.00	17.00
DAJC1107M-0406	7/16"-20	3/8"-19	15.00	30.50	4.37	9.00	19.00	17.00
DAJC1107M-0504	1/2"-20	1/4"-19	14.00	29.00	5.94	5.94	14.00	17.00
DAJC1107M-0602	9/16"-18	1/8"-28	10.00	26.50	7.54	4.50	14.00	19.00
DAJC1107M-0606	9/16"-18	3/8"-19	15.00	31.00	7.54	9.00	17.00	19.00
DAJC1107M-0608	9/16"-18	1/2"-14	19.00	36.50	7.54	12.00	24.00	19.00
DAJC1107M-0804	3/4"-16	1/4"-19	14.00	31.50	9.93	6.00	19.00	24.00
DAJC1107M-0806	3/4"-16	3/8"-19	15.00	32.50	9.00	9.00	19.00	24.00
DAJC1107M-0808	3/4"-16	1/2"-14	19.00	37.50	9.93	12.00	24.00	24.00
DAJC1107M-1006	7/8"-14	3/8"-19	15.00	34.00	12.29	9.00	24.00	27.00
DAJC1107M-1012	7/8"-14	3/4"-14	20.00	42.50	12.29	16.70	30.00	27.00
DAJC1107M-1206	1-1/16"-12	3/8"-19	15.00	37.50	15.47	9.00	27.00	32.00
DAJC1107M-1208	1-1/16"-12	1/2"-14	19.00	43.00	15.47	12.00	27.00	32.00
DAJC1107M-1212	1-1/16"-12	3/4"-14	20.00	41.50	15.47	16.70	30.00	32.00
DAJC1107M-1216	1-1/16"-12	1"-11	24.00	48.50	15.47	22.20	36.00	32.00
DAJC1107M-1612	1-5/16"-12	3/4"-14	19.00	45.00	21.44	15.50	32.00	41.00
DAJC1107M-1616	1-5/16"-12	1"-11	24.00	47.50	21.44	22.20	36.00	41.00
DAJC1107M-2020	1-5/8"-12	1-1/4"-11	25.00	52.00	27.38	28.60	46.00	50.00
DAJC1107M-2424	1-7/8"-12	1-1/2"-11	25.00	57.50	33.32	33.32	50.00	55.00

DAJCF125M

Straight Connector JIC Fixed Female – JIC Male

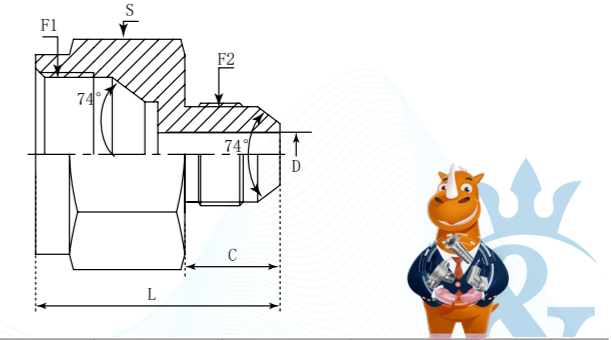
D	A	JC	F	1	25	M
Company	Product Range	Thread Types	Connection Type	Adaptor Structure	Thread Types	Connection Type
DME	Adaptor	JIC UNF	Female	Straight	JIC UNF	Male

German Technology Equipment

SHIELD FLEX

New-Standard

- DME&JDE Code: **DAJCF125M**
- Product Type: **Hydraulic adaptor**
- Standard: **JIC and SAE-ORB**
- Structure: **Straight**
- Connection Type: **Fixed Female x Male**
- Thread Types: **UNF x UNF**



PART NUMBER	F1 (Thread)	F2 (Thread)	C	D	L	S	Hex
#	UNF	UNF	mm	mm	mm	-	-
DAJCF125M-0203	5/16"-24	3/8"-24	12.17	1.57	24.9	11 mm	Metric
DAJCF125M-0204	5/16"-24	7/16"-20	13.97	1.57	27.5	14 mm	Metric
DAJCF125M-0203IN	5/16"-24	3/8"-24	12.17	1.57	24.9	7/16"	Imperial
DAJCF125M-0204IN	5/16"-24	7/16"-20	13.97	1.57	27.5	9/16"	Imperial
DAJCF125M-0304	3/8"-24	7/16"-20	13.97	3.18	28.30	14 mm	Metric
DAJCF125M-0304IN	3/8"-24	7/16"-20	13.97	3.18	28.30	9/16"	Imperial
DAJCF125M-0402	7/16"-20	5/16"-24	11.38	1.57	26.64	14 mm	Metric
DAJCF125M-0403	7/16"-20	3/8"-24	12.17	3.18	27.18	14 mm	Metric
DAJCF125M-0404	7/16"-20	7/16"-20	13.97	4.37	29.21	14 mm	Metric
DAJCF125M-0405	7/16"-20	1/2"-20	13.97	4.37	29.21	17 mm	Metric
DAJCF125M-0406	7/16"-20	9/16"-18	14.12	4.37	29.50	17 mm	Metric
DAJCF125M-0402IN	7/16"-20	5/16"-24	11.38	1.57	26.64	9/16"	Imperial
DAJCF125M-0403IN	7/16"-20	3/8"-24	12.17	3.18	27.18	9/16"	Imperial
DAJCF125M-0404IN	7/16"-20	7/16"-20	13.97	4.37	29.21	9/16"	Imperial
DAJCF125M-0405IN	7/16"-20	1/2"-20	13.97	4.37	29.21	5/8"	Imperial
DAJCF125M-0406IN	7/16"-20	9/16"-18	14.12	4.37	29.50	5/8"	Imperial
DAJCF125M-0504	1/2"-20	7/16"-20	13.97	4.37	30.23	17 mm	Metric
DAJCF125M-0506	1/2"-20	9/16"-18	14.12	5.94	30.23	17 mm	Metric
DAJCF125M-0508	1/2"-20	3/4"-16	16.69	5.94	32.30	19 mm	Metric
DAJCF125M-0504IN	1/2"-20	7/16"-20	13.97	4.37	30.23	5/8"	Imperial
DAJCF125M-0506IN	1/2"-20	9/16"-18	14.12	5.94	30.23	5/8"	Imperial
DAJCF125M-0508IN	1/2"-20	3/4"-16	16.69	5.94	32.30	13/16"	Imperial
DAJCF125M-0604	9/16"-18	7/16"-20	13.97	4.37	30.15	17 mm	Metric
DAJCF125M-0605	9/16"-18	1/2"-20	13.97	5.94	30.00	17 mm	Metric
DAJCF125M-0606	9/16"-18	9/16"-18	14.12	7.54	30.10	17 mm	Metric
DAJCF125M-0608	9/16"-18	3/4"-16	16.69	7.54	32.56	22 mm	Metric
DAJCF125M-0610	9/16"-18	7/8"-14	19.25	7.54	35.05	24 mm	Metric
DAJCF125M-0612	9/16"-18	1-1/16"-12	21.95	7.54	34.90	30 mm	Metric
DAJCF125M-0616	9/16"-18	1-5/16"-12	23.14	7.54	40.90	36 mm	Metric
DAJCF125M-0604IN	9/16"-18	7/16"-20	13.97	4.37	30.15	11/16"	Imperial
DAJCF125M-0605IN	9/16"-18	1/2"-20	13.97	5.94	30.00	11/16"	Imperial
DAJCF125M-0606IN	9/16"-18	9/16"-18	14.12	7.54	30.10	11/16"	Imperial
DAJCF125M-0608IN	9/16"-18	3/4"-16	16.69	7.54	32.56	13/16"	Imperial
DAJCF125M-0610IN	9/16"-18	7/8"-14	19.25	7.54	35.05	15/16"	Imperial

DAJCF125M-0612IN	9/16"-18	1-1/16"-12	21.95	7.54	34.90	1-1/8"	Imperial
DAJCF125M-0616IN	9/16"-18	1-5/16"-12	23.14	7.54	40.90	1-3/8"	Imperial
DAJCF125M-0804	3/4"-16	7/16"-20	13.97	4.37	33.02	22 mm	Metric
DAJCF125M-0805	3/4"-16	1/2"-20	13.97	5.94	36.83	22 mm	Metric
DAJCF125M-0806	3/4"-16	9/16"-18	14.12	7.54	33.27	24 mm	Metric
DAJCF125M-0808	3/4"-16	3/4"-16	16.69	9.93	40.13	24 mm	Metric
DAJCF125M-0810	3/4"-16	7/8"-14	19.25	9.93	32.80	24 mm	Metric
DAJCF125M-0812	3/4"-16	1-1/16"-12	21.95	9.93	40.89	30 mm	Metric
DAJCF125M-0816	3/4"-16	1-5/16"-12	23.14	9.93	44.70	36 mm	Metric
DAJCF125M-0804IN	3/4"-16	7/16"-20	13.97	4.37	33.02	7/8"	Imperial
DAJCF125M-0805IN	3/4"-16	1/2"-20	13.97	5.94	36.83	7/8"	Imperial
DAJCF125M-0806IN	3/4"-16	9/16"-18	14.12	7.54	33.27	7/8"	Imperial
DAJCF125M-0808IN	3/4"-16	3/4"-16	16.69	9.93	40.13	7/8"	Imperial
DAJCF125M-0810IN	3/4"-16	7/8"-14	19.25	9.93	32.80	15/16"	Imperial
DAJCF125M-0812IN	3/4"-16	1-1/16"-12	21.95	9.93	40.89	1-1/8"	Imperial
DAJCF125M-0816IN	3/4"-16	1-5/16"-12	23.14	9.93	44.70	1-3/8"	Imperial
DAJCF125M-1004	7/8"-14	7/16"-20	13.97	4.37	35.30	27 mm	Metric
DAJCF125M-1005	7/8"-14	1/2"-20	13.97	5.94	35.80	27 mm	Metric
DAJCF125M-1006	7/8"-14	9/16"-18	14.12	7.54	35.80	27 mm	Metric
DAJCF125M-1008	7/8"-14	3/4"-16	16.69	9.93	35.80	27 mm	Metric
DAJCF125M-1010	7/8"-14	7/8"-14	19.25	12.29	38.00	27 mm	Metric
DAJCF125M-1012	7/8"-14	1-1/16"-12	21.95	12.29	38.10	30 mm	Metric
DAJCF125M-1016	7/8"-14	1-5/16"-12	23.14	12.29	44.70	36 mm	Metric
DAJCF125M-1004IN	7/8"-14	7/16"-20	13.97	4.37	35.30	1"	Imperial
DAJCF125M-1005IN	7/8"-14	1/2"-20	13.97	5.94	35.80	1"	Imperial
DAJCF125M-1006IN	7/8"-14	9/16"-18	14.12	7.54	35.80	1"	Imperial
DAJCF125M-1008IN	7/8"-14	3/4"-16	16.69	9.93	35.80	1"	Imperial
DAJCF125M-1010IN	7/8"-14	7/8"-14	19.25	12.29	38.00	1"	Imperial
DAJCF125M-1012IN	7/8"-14	1-1/16"-12	21.95	12.29	38.10	1-1/8"	Imperial
DAJCF125M-1016IN	7/8"-14	1-5/16"-12	23.14	12.29	44.70	1-3/8"	Imperial
DAJCF125M-1204	1-1/16"-12	7/16"-20	13.97	4.37	38.10	32 mm	Metric
DAJCF125M-1205	1-1/16"-12	1/2"-20	13.97	5.94	38.10	32 mm	Metric
DAJCF125M-1206	1-1/16"-12	9/16"-18	14.12	7.54	37.10	32 mm	Metric
DAJCF125M-1208	1-1/16"-12	3/4"-16	16.69	9.93	42.70	32 mm	Metric
DAJCF125M-1210	1-1/16"-12	7/8"-14	19.25	12.29	41.66	32 mm	Metric
DAJCF125M-1212	1-1/16"-12	1-1/16"-12	21.95	15.47	41.66	32 mm	Metric
DAJCF125M-1216	1-1/16"-12	1-5/16"-12	23.14	15.47	46.20	36 mm	Metric
DAJCF125M-1220	1-1/16"-12	1-5/8"-12	24.33	15.47	43.50	46 mm	Metric
DAJCF125M-1204IN	1-1/16"-12	7/16"-20	13.97	4.37	38.10	1-1/4"	Imperial
DAJCF125M-1205IN	1-1/16"-12	1/2"-20	13.97	5.94	38.10	1-1/4"	Imperial
DAJCF125M-1206IN	1-1/16"-12	9/16"-18	14.12	7.54	37.10	1-1/4"	Imperial
DAJCF125M-1208IN	1-1/16"-12	3/4"-16	16.69	9.93	42.70	1-1/4"	Imperial
DAJCF125M-1210IN	1-1/16"-12	7/8"-14	19.25	12.29	41.66	1-1/4"	Imperial
DAJCF125M-1212IN	1-1/16"-12	1-1/16"-12	21.95	15.47	41.66	1-1/4"	Imperial
DAJCF125M-1216IN	1-1/16"-12	1-5/16"-12	23.14	15.47	46.20	1-3/8"	Imperial
DAJCF125M-1220IN	1-1/16"-12	1-5/8"-12	24.33	15.47	43.50	1-11/16"	Imperial
DAJCF125M-1408	1-3/16"-12	3/4"-16	16.69	9.93	42.93	36 mm	Metric
DAJCF125M-1410	1-3/16"-12	7/8"-14	19.25	12.29	43.94	36 mm	Metric
DAJCF125M-1412	1-3/16"-12	1-1/16"-12	21.95	15.47	46.74	36 mm	Metric
DAJCF125M-1414	1-3/16"-12	1-3/16"-12	22.61	15.47	46.28	36 mm	Metric
DAJCF125M-1416	1-3/16"-12	1-5/16"-12	23.14	18.26	50.44	36 mm	Metric
DAJCF125M-1408IN	1-3/16"-12	3/4"-16	16.69	9.93	42.93	1-3/8"	Imperial
DAJCF125M-1410IN	1-3/16"-12	7/8"-14	19.25	12.29	43.94	1-3/8"	Imperial
DAJCF125M-1412IN	1-3/16"-12	1-1/16"-12	21.95	15.47	46.74	1-3/8"	Imperial
DAJCF125M-1414IN	1-3/16"-12	1-3/16"-12	22.61	15.47	46.28	1-3/8"	Imperial
DAJCF125M-1416IN	1-3/16"-12	1-5/16"-12	23.14	18.26	50.44	1-3/8"	Imperial
DAJCF125M-1604	1-5/16"-12	7/16"-20	13.97	4.37	46.70	41 mm	Metric
DAJCF125M-1605	1-5/16"-12	1/2"-20	13.97	5.94	46.70	41 mm	Metric
DAJCF125M-1606	1-5/16"-12	9/16"-18	14.12	7.54	46.70	41 mm	Metric
DAJCF125M-1608	1-5/16"-12	3/4"-16	16.69	9.93	43.70	41 mm	Metric
DAJCF125M-1610	1-5/16"-12	7/8"-14	19.25	12.29	45.47	41 mm	Metric

DAJCF125M-1612	1-5/16"-12	1-1/16"-12	21.95	15.47	48.30	41 mm	Metric
DAJCF125M-1614	1-5/16"-12	1-3/16"-12	22.61	18.26	48.51	41 mm	Metric
DAJCF125M-1616	1-5/16"-12	1-5/16"-12	23.14	21.44	49.00	41 mm	Metric
DAJCF125M-1620	1-5/16"-12	1-5/8"-12	24.33	21.44	43.43	46 mm	Metric
DAJCF125M-1624	1-5/16"-12	1-7/8"-12	27.51	21.44	54.48	50 mm	Metric
DAJCF125M-1604IN	1-5/16"-12	7/16"-20	13.97	4.37	46.70	1-1/2"	Imperial
DAJCF125M-1605IN	1-5/16"-12	1/2"-20	13.97	5.94	46.70	1-1/2"	Imperial
DAJCF125M-1606IN	1-5/16"-12	9/16"-18	14.12	7.54	46.70	1-1/2"	Imperial
DAJCF125M-1608IN	1-5/16"-12	3/4"-16	16.69	9.93	43.70	1-1/2"	Imperial
DAJCF125M-1610IN	1-5/16"-12	7/8"-14	19.25	12.29	45.47	1-1/2"	Imperial
DAJCF125M-1612IN	1-5/16"-12	1-1/16"-12	21.95	15.47	48.30	1-1/2"	Imperial
DAJCF125M-1614IN	1-5/16"-12	1-3/16"-12	22.61	18.26	48.51	1-1/2"	Imperial
DAJCF125M-1616IN	1-5/16"-12	1-5/16"-12	23.14	21.44	49.00	1-1/2"	Imperial
DAJCF125M-1620IN	1-5/16"-12	1-5/8"-12	24.33	21.44	43.43	1-11/16"	Imperial
DAJCF125M-1624IN	1-5/16"-12	1-7/8"-12	27.51	21.44	54.48	2"	Imperial
DAJCF125M-2004	1-5/8"-12	7/16"-20	13.97	4.37	42.60	50 mm	Metric
DAJCF125M-2005	1-5/8"-12	1/2"-20	13.97	5.94	42.60	50 mm	Metric
DAJCF125M-2006	1-5/8"-12	9/16"-18	14.12	7.54	42.60	50 mm	Metric
DAJCF125M-2008	1-5/8"-12	3/4"-16	16.69	9.93	46.70	50 mm	Metric
DAJCF125M-2010	1-5/8"-12	7/8"-14	19.25	12.29	50.80	50 mm	Metric
DAJCF125M-2012	1-5/8"-12	1-1/16"-12	21.95	15.47	50.80	50 mm	Metric
DAJCF125M-2016	1-5/8"-12	1-5/16"-12	23.14	21.44	50.90	50 mm	Metric
DAJCF125M-2020	1-5/8"-12	1-5/8"-12	24.33	27.38	52.10	50 mm	Metric
DAJCF125M-2024	1-5/8"-12	1-7/8"-12	27.51	27.38	54.36	50 mm	Metric
DAJCF125M-2004IN	1-5/8"-12	7/16"-20	13.97	4.37	42.60	2"	Imperial
DAJCF125M-2005IN	1-5/8"-12	1/2"-20	13.97	5.94	42.60	2"	Imperial
DAJCF125M-2006IN	1-5/8"-12	9/16"-18	14.12	7.54	42.60	2"	Imperial
DAJCF125M-2008IN	1-5/8"-12	3/4"-16	16.69	9.93	46.70	2"	Imperial
DAJCF125M-2010IN	1-5/8"-12	7/8"-14	19.25	12.29	50.80	2"	Imperial
DAJCF125M-2012IN	1-5/8"-12	1-1/16"-12	21.95	15.47	50.80	2"	Imperial
DAJCF125M-2016IN	1-5/8"-12	1-5/16"-12	23.14	21.44	50.90	2"	Imperial
DAJCF125M-2020IN	1-5/8"-12	1-5/8"-12	24.33	27.38	52.10	2"	Imperial
DAJCF125M-2024IN	1-5/8"-12	1-7/8"-12	27.51	27.38	54.36	2"	Imperial
DAJCF125M-2404	1-7/8"-12	7/16"-20	13.97	4.37	44.30	55 mm	Metric
DAJCF125M-2405	1-7/8"-12	1/2"-20	13.97	5.94	44.30	55 mm	Metric
DAJCF125M-2406	1-7/8"-12	9/16"-18	14.12	7.54	52.00	55 mm	Metric
DAJCF125M-2408	1-7/8"-12	3/4"-16	16.69	9.93	47.00	55 mm	Metric
DAJCF125M-2410	1-7/8"-12	7/8"-14	19.25	12.29	55.60	55 mm	Metric
DAJCF125M-2412	1-7/8"-12	1-1/16"-12	21.95	15.47	53.34	55 mm	Metric
DAJCF125M-2416	1-7/8"-12	1-5/16"-12	23.14	21.44	54.61	55 mm	Metric
DAJCF125M-2420	1-7/8"-12	1-5/8"-12	24.33	27.38	55.63	55 mm	Metric
DAJCF125M-2424	1-7/8"-12	1-7/8"-12	27.51	27.38	62.68	55 mm	Metric
DAJCF125M-2432	1-7/8"-12	2-1/2"-12	33.86	33.32	60.80	65 mm	Metric
DAJCF125M-2404IN	1-7/8"-12	7/16"-20	13.97	4.37	44.30	2-1/4"	Imperial
DAJCF125M-2405IN	1-7/8"-12	1/2"-20	13.97	5.94	44.30	2-1/4"	Imperial
DAJCF125M-2406IN	1-7/8"-12	9/16"-18	14.12	7.54	52.00	2-1/4"	Imperial
DAJCF125M-2408IN	1-7/8"-12	3/4"-16	16.69	9.93	47.00	2-1/4"	Imperial
DAJCF125M-2410IN	1-7/8"-12	7/8"-14	19.25	12.29	55.60	2-1/4"	Imperial
DAJCF125M-2412IN	1-7/8"-12	1-1/16"-12	21.95	15.47	53.34	2-1/4"	Imperial
DAJCF125M-2416IN	1-7/8"-12	1-5/16"-12	23.14	21.44	54.61	2-1/4"	Imperial
DAJCF125M-2420IN	1-7/8"-12	1-5/8"-12	24.33	27.38	55.63	2-1/4"	Imperial
DAJCF125M-2424IN	1-7/8"-12	1-7/8"-12	27.51	27.38	62.68	2-1/4"	Imperial
DAJCF125M-2432IN	1-7/8"-12	2-1/2"-12	33.86	33.32	60.80	2-5/8"	Imperial
DAJCF125M-3208	2-1/2"-12	3/4"-16	16.70	9.93	60.00	73 mm	Metric
DAJCF125M-3212	2-1/2"-12	1-1/16"-12	21.95	15.47	58.40	73 mm	Metric
DAJCF125M-3216	2-1/2"-12	1-5/16"-12	23.14	21.44	67.50	73 mm	Metric
DAJCF125M-3220	2-1/2"-12	1-5/8"-12	24.33	27.38	70.50	73 mm	Metric
DAJCF125M-3224	2-1/2"-12	1-7/8"-12	27.51	33.32	69.70	73 mm	Metric
DAJCF125M-3208IN	2-1/2"-12	3/4"-16	16.70	9.93	60.00	2-7/8"	Imperial
DAJCF125M-3212IN	2-1/2"-12	1-1/16"-12	21.95	15.47	58.40	2-7/8"	Imperial
DAJCF125M-3216IN	2-1/2"-12	1-5/16"-12	23.14	21.44	67.50	2-7/8"	Imperial
DAJCF125M-3220IN	2-1/2"-12	1-5/8"-12	24.33	27.38	70.50	2-7/8"	Imperial
DAJCF125M-3224IN	2-1/2"-12	1-7/8"-12	27.51	33.32	69.70	2-7/8"	Imperial

DAJC3125M

Straight Connector JIC Swivel Female – JIC Male

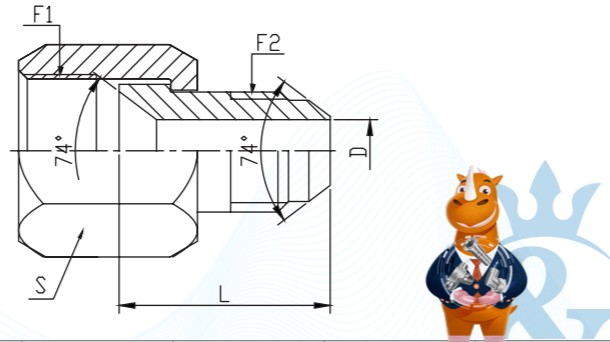
D	A	JC	3	1	25	M
Company	Product Range	Thread Types	Connection Type	Adaptor Structure	Thread Types	Connection Type
DME	Adaptor	BSPP	Male	Straight	BSPP	Male

German Technology Equipment

SHIELD FLEX

New-Standard

- DME&JDE Code:** DAJC3125M
- Product Type:** Hydraulic adaptor
- Standard:** JIC and SAE-ORB
- Structure:** Straight
- Connection Type:** Swivel Female x Male
- Thread Types:** UNF x UNF



PART NUMBER	F1 (Thread)	F2 (Thread)	D	L	S	Hex
#	UNF	UNF	mm	mm	-	-
DAJC3125M-0504	1/2"-20	7/16"-20	5.94	24.60	17 mm	Metric
DAJC3125M-0504IN	1/2"-20	7/16"-20	5.94	24.60	5/8"	Imperial
DAJC3125M-0604	9/16"-18	7/16"-20	4.40	24.60	19 mm	Metric
DAJC3125M-0605	9/16"-18	1/2"-20	5.94	24.60	19 mm	Metric
DAJC3125M-0604IN	9/16"-18	7/16"-20	4.40	24.60	13/16"	Imperial
DAJC3125M-0605IN	9/16"-18	1/2"-20	5.94	24.60	13/16"	Imperial
DAJC3125M-0804	3/4"-16	7/16"-20	4.37	25.40	22 mm	Metric
DAJC3125M-0805	3/4"-16	1/2"-20	5.94	25.40	22 mm	Metric
DAJC3125M-0806	3/4"-16	9/16"-18	7.50	25.50	22 mm	Metric
DAJC3125M-0804IN	3/4"-16	7/16"-20	4.37	25.40	13/16"	Imperial
DAJC3125M-0805IN	3/4"-16	1/2"-20	5.94	25.40	13/16"	Imperial
DAJC3125M-0806IN	3/4"-16	9/16"-18	7.50	25.50	13/16"	Imperial
DAJC3125M-1004	7/8"-14	7/16"-20	4.37	26.10	27 mm	Metric
DAJC3125M-1005	7/8"-14	1/2"-20	5.94	26.10	27 mm	Metric
DAJC3125M-1006	7/8"-14	9/16"-18	7.50	28.50	27 mm	Metric
DAJC3125M-1008	7/8"-14	3/4"-16	9.93	29.50	27 mm	Metric
DAJC3125M-1004IN	7/8"-14	7/16"-20	4.37	26.10	1-1/8"	Imperial
DAJC3125M-1005IN	7/8"-14	1/2"-20	5.94	26.10	1-1/8"	Imperial
DAJC3125M-1006IN	7/8"-14	9/16"-18	7.50	28.50	1-1/8"	Imperial
DAJC3125M-1008IN	7/8"-14	3/4"-16	9.93	29.50	1-1/8"	Imperial
DAJC3125M-1204	1-1/16"-12	7/16"-20	4.40	27.70	32 mm	Metric
DAJC3125M-1205	1-1/16"-12	1/2"-20	5.94	27.70	32 mm	Metric
DAJC3125M-1206	1-1/16"-12	9/16"-18	7.50	27.70	32 mm	Metric
DAJC3125M-1208	1-1/16"-12	3/4"-16	9.93	30.40	32 mm	Metric
DAJC3125M-1210	1-1/16"-12	7/8"-14	12.29	32.80	32 mm	Metric
DAJC3125M-1204IN	1-1/16"-12	7/16"-20	4.40	27.70	1-1/4"	Imperial
DAJC3125M-1205IN	1-1/16"-12	1/2"-20	5.94	27.70	1-1/4"	Imperial

Web: <https://www.dmejde.com>
E-mail: info@dmejde.com



DAJC3125M-1206IN	1-1/16"-12	9/16"-18	7.50	27.70	1-1/4"	Imperial
DAJC3125M-1208IN	1-1/16"-12	3/4"-16	9.93	30.40	1-1/4"	Imperial
DAJC3125M-1210IN	1-1/16"-12	7/8"-14	12.29	32.80	1-1/4"	Imperial
DAJC3125M-1604	1-5/16"-12	7/16"-20	4.37	30.00	41 mm	Metric
DAJC3125M-1605	1-5/16"-12	1/2"-20	5.94	30.00	41 mm	Metric
DAJC3125M-1606	1-5/16"-12	9/16"-18	7.54	30.00	41 mm	Metric
DAJC3125M-1608	1-5/16"-12	3/4"-16	9.93	32.50	41 mm	Metric
DAJC3125M-1610	1-5/16"-12	7/8"-14	12.29	34.60	41 mm	Metric
DAJC3125M-1612	1-5/16"-12	1-1/16"-12	15.50	37.30	41 mm	Metric
DAJC3125M-1604IN	1-5/16"-12	7/16"-20	4.37	30.00	1-1/2"	Imperial
DAJC3125M-1605IN	1-5/16"-12	1/2"-20	5.94	30.00	1-1/2"	Imperial
DAJC3125M-1606IN	1-5/16"-12	9/16"-18	7.54	30.00	1-1/2"	Imperial
DAJC3125M-1608IN	1-5/16"-12	3/4"-16	9.93	32.50	1-1/2"	Imperial
DAJC3125M-1610IN	1-5/16"-12	7/8"-14	12.29	34.60	1-1/2"	Imperial
DAJC3125M-1612IN	1-5/16"-12	1-1/16"-12	15.50	37.30	1-1/2"	Imperial
DAJC3125M-2004	1-5/8"-12	7/16"-20	4.37	31.00	50 mm	Metric
DAJC3125M-2005	1-5/8"-12	1/2"-20	5.94	31.00	50 mm	Metric
DAJC3125M-2006	1-5/8"-12	9/16"-18	7.54	31.10	50 mm	Metric
DAJC3125M-2008	1-5/8"-12	3/4"-16	9.93	33.60	50 mm	Metric
DAJC3125M-2010	1-5/8"-12	7/8"-14	12.29	36.20	50 mm	Metric
DAJC3125M-2012	1-5/8"-12	1-1/16"-12	15.50	38.90	50 mm	Metric
DAJC3125M-2016	1-5/8"-12	1-5/16"-12	21.40	40.40	50 mm	Metric
DAJC3125M-2004IN	1-5/8"-12	7/16"-20	4.37	31.00	1-7/8"	Imperial
DAJC3125M-2005IN	1-5/8"-12	1/2"-20	5.94	31.00	1-7/8"	Imperial
DAJC3125M-2006IN	1-5/8"-12	9/16"-18	7.54	31.10	1-7/8"	Imperial
DAJC3125M-2008IN	1-5/8"-12	3/4"-16	9.93	33.60	1-7/8"	Imperial
DAJC3125M-2010IN	1-5/8"-12	7/8"-14	12.29	36.20	1-7/8"	Imperial
DAJC3125M-2012IN	1-5/8"-12	1-1/16"-12	15.50	38.90	1-7/8"	Imperial
DAJC3125M-2016IN	1-5/8"-12	1-5/16"-12	21.40	40.40	1-7/8"	Imperial
DAJC3125M-2404	1-7/8"-12	7/16"-20	4.37	37.70	60 mm	Metric
DAJC3125M-2405	1-7/8"-12	1/2"-20	5.94	37.70	60 mm	Metric
DAJC3125M-2406	1-7/8"-12	9/16"-18	7.54	37.90	60 mm	Metric
DAJC3125M-2408	1-7/8"-12	3/4"-16	9.93	40.50	60 mm	Metric
DAJC3125M-2410	1-7/8"-12	7/8"-14	12.29	43.00	60 mm	Metric
DAJC3125M-2412	1-7/8"-12	1-1/16"-12	15.47	45.70	60 mm	Metric
DAJC3125M-2416	1-7/8"-12	1-5/16"-12	21.44	42.00	60 mm	Metric
DAJC3125M-2420	1-7/8"-12	1-5/8"-12	27.40	43.00	60 mm	Metric
DAJC3125M-2404IN	1-7/8"-12	7/16"-20	4.37	37.70	2-5/16"	Imperial
DAJC3125M-2405IN	1-7/8"-12	1/2"-20	5.94	37.70	2-5/16"	Imperial
DAJC3125M-2406IN	1-7/8"-12	9/16"-18	7.54	37.90	2-5/16"	Imperial
DAJC3125M-2408IN	1-7/8"-12	3/4"-16	9.93	40.50	2-5/16"	Imperial
DAJC3125M-2410IN	1-7/8"-12	7/8"-14	12.29	43.00	2-5/16"	Imperial
DAJC3125M-2412IN	1-7/8"-12	1-1/16"-12	15.47	45.70	2-5/16"	Imperial
DAJC3125M-2416IN	1-7/8"-12	1-5/16"-12	21.44	42.00	2-5/16"	Imperial
DAJC3125M-2420IN	1-7/8"-12	1-5/8"-12	27.40	43.00	2-5/16"	Imperial
DAJC3125M-3224	2-1/2"-12	1-7/8"-12	33.32	55.50	75 mm	Metric
DAJC3125M-3224IN	2-1/2"-12	1-7/8"-12	33.32	55.50	2-7/8"	Imperial



Web: <https://www.dmejde.com>
E-mail: info@dmejde.com



DAJCF1251

Straight Connector JIC Fixed Female – JIC Swivel Female

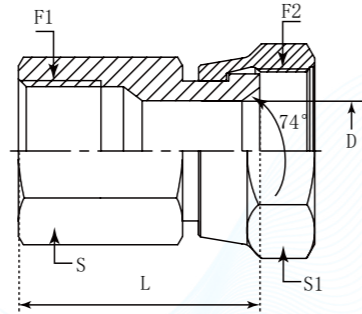
D	A	JC	F	1	251
Company	Product Range	Thread Types	Connection Type	Adaptor Structure	Connection Type
DME	Adaptor	JIC UNF	Female	Straight	JIC Swivel Female

German Technology Equipment

SHIELD FLEX

New-Standard

- DME&JDE Code: **DAJCF1251**
- Product Type: **Hydraulic adaptor**
- Standard: **JIC and SAE-ORB**
- Structure: **Straight**
- Connection Type: **Female x Swivel Female**
- Thread Types: **UNF x UNF**



PART NUMBER	F1 (Thread)	F2 (Thread)	D	L	S	S1	Hex
#	UNF	UNF	mm	mm	-	-	-
DAJCF1251-0404	7/16"-20	7/16"-20	4.37	25.00	14 mm	14 mm	Metric
DAJCF1251-0404IN	7/16"-20	7/16"-20	4.37	25.00	9/16"	9/16"	Imperial
DAJCF1251-0505	1/2"-20	1/2"-20	5.94	25.00	17 mm	17 mm	Metric
DAJCF1251-0505IN	1/2"-20	1/2"-20	5.94	25.00	5/8"	5/8"	Imperial
DAJCF1251-0606	9/16"-18	9/16"-18	7.54	25.50	19 mm	19 mm	Metric
DAJCF1251-0606IN	9/16"-18	9/16"-18	7.54	25.50	13/16"	13/16"	Imperial
DAJCF1251-0808	3/4"-16	3/4"-16	9.93	32.00	22 mm	24 mm	Metric
DAJCF1251-0808IN	3/4"-16	3/4"-16	9.93	32.00	13/16"	15/16"	Imperial
DAJCF1251-1010	7/8"-14	7/8"-14	12.30	36.00	27 mm	27 mm	Metric
DAJCF1251-1010IN	7/8"-14	7/8"-14	12.30	36.00	1-1/8"	1-1/8"	Imperial
DAJCF1251-1212	1-1/16"-12	1-1/16"-12	15.47	37.00	32 mm	32 mm	Metric
DAJCF1251-1212IN	1-1/16"-12	1-1/16"-12	15.47	37.00	1-1/4"	1-1/4"	Imperial
DAJCF1251-1616	1-5/16"-12	1-5/16"-12	21.44	40.00	41 mm	41 mm	Metric
DAJCF1251-1616IN	1-5/16"-12	1-5/16"-12	21.44	40.00	1-1/2"	1-1/2"	Imperial
DAJCF1251-2020	1-5/8"-12	1-5/8"-12	27.42	43.00	50 mm	50 mm	Metric
DAJCF1251-2020IN	1-5/8"-12	1-5/8"-12	27.42	43.00	1-7/8"	1-7/8"	Imperial
DAJCF1251-2424	1-7/8"-12	1-7/8"-12	33.32	50.00	60 mm	60 mm	Metric
DAJCF1251-2424IN	1-7/8"-12	1-7/8"-12	33.32	50.00	2-5/16"	2-5/16"	Imperial

DAJCI1251

Straight Connector JIC Swivel Female – JIC Swivel Female

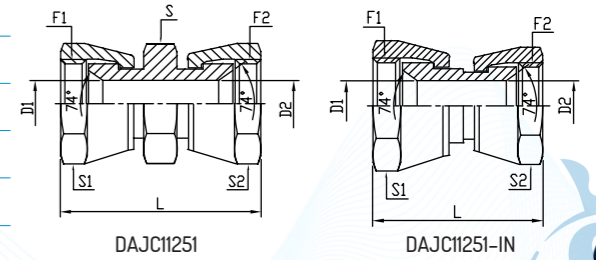
D	A	JC	1	1	251
Company	Product Range	Thread Types	Connection Type	Adaptor Structure	Thread Types
DME	Adaptor	BSPB	Male	Straight	BSPB

German Technology Equipment

SHIELD FLEX

New-Standard

- DME&JDE Code: **DAJCI1251**
- Product Type: **Hydraulic adaptor**
- Standard: **JIC and SAE-ORB**
- Structure: **Straight**
- Connection Type: **Swivel Female x Swivel Female**
- Thread Types: **UNF x UNF**



PART NUMBER	F1 (Thread)	F2 (Thread)	D1	D2	L	Hex	S	S1	S2
#	UNF	UNF	mm	mm	mm	Hex	mm/inch	mm/inch	mm/inch
DAJCI1251-0202IN	5/16"-24	5/16"-24	1.57	1.57	33.00	Imperial	/	11.13"	11.13"
DAJCI1251-0303IN	3/8"-24	3/8"-24	3.18	3.18	33.00	Imperial	/	12.7"	12.7"
DAJCI1251-0404	7/16"-20	7/16"-20	4.37	4.37	41.00	Metric	11 mm	14 mm	14 mm
DAJCI1251-0404IN	7/16"-20	7/16"-20	4.37	4.37	32.80	Imperial	/	14.27"	14.27"
DAJCI1251-0505	1/2"-20	1/2"-20	5.94	5.94	44.00	Metric	14 mm	17 mm	14 mm
DAJCI1251-0505IN	1/2"-20	1/2"-20	5.94	5.94	38.20	Imperial	/	15.88"	15.88"
DAJCI1251-0604	9/16"-18	7/16"-20	7.54	4.37	43.50	Metric	14 mm	19 mm	14 mm
DAJCI1251-0604IN	9/16"-18	7/16"-20	7.54	4.37	36.40	Imperial	/	17.45"	14.27"
DAJCI1251-0605IN	9/16"-18	1/2"-20	7.54	5.94	42.50	Imperial	/	17.45"	15.88"
DAJCI1251-0606	9/16"-18	9/16"-18	7.54	7.54	48.30	Metric	14 mm	19 mm	19 mm
DAJCI1251-0606IN	9/16"-18	9/16"-18	7.54	7.54	41.30	Imperial	/	22.23"	17.45"
DAJCI1251-0804IN	3/4"-16	7/16"-20	9.93	4.37	45.20	Imperial	/	22.23"	14.27"
DAJCI1251-0806	3/4"-16	9/16"-18	9.93	7.54	49.50	Metric	22 mm	22 mm	19 mm
DAJCI1251-0806IN	3/4"-16	9/16"-18	9.93	7.54	41.60	Imperial	/	22.23"	17.45"
DAJCI1251-0808	3/4"-16	3/4"-16	9.93	9.93	52.70	Metric	22 mm	22 mm	22 mm
DAJCI1251-0808IN	3/4"-16	3/4"-16	9.93	9.93	45.10	Imperial	/	22.23"	22.23"
DAJCI1251-1006IN	7/8"-14	9/16"-18	12.29	7.54	47.40	Imperial	/	25.4"	17.45"
DAJCI1251-1008IN	7/8"-14	3/4"-16	12.29	9.93	46.80	Imperial	/	25.4"	22.23"
DAJCI1251-1010	7/8"-14	7/8"-14	12.29	12.29	61.50	Metric	22 mm	27 mm	27 mm
DAJCI1251-1010IN	7/8"-14	7/8"-14	12.29	12.29	50.60	Imperial	/	25.4"	25.4"
DAJCI1251-1208	1-1/16"-12	3/4"-16	15.47	9.93	61.00	Metric	32 mm	32 mm	22 mm
DAJCI1251-1208IN	1-1/16"-12	3/4"-16	15.47	9.93	53.60	Imperial	/	31.75"	22.23"
DAJCI1251-1210	1-1/16"-12	7/8"-14	15.47	12.29	64.00	Metric	32 mm	32 mm	27 mm
DAJCI1251-1210IN	1-1/16"-12	7/8"-14	15.47	12.29	56.40	Imperial	/	31.75"	25.4"
DAJCI1251-1212	1-1/16"-12	1-1/16"-12	15.47	15.47	64.50	Metric	32 mm	32 mm	32 mm
DAJCI1251-1212IN	1-1/16"-12	1-1/16"-12	15.47	15.47	56.50	Imperial	/	31.75"	31.75"
DAJCI1251-1414IN	1-3/16"-12	1-3/16"-12	18.26	18.26	58.90	Imperial	/	34.93"	34.93"
DAJCI1251-1612	1-5/16"-12	1-1/16"-12	15.47	15.47	69.90	Metric	36 mm	41 mm	32 mm
DAJCI1251-1612IN	1-5/16"-12	1-1/16"-12	15.47	15.47	61.10	Imperial	/	38.1"	31.75"
DAJCI1251-1616	1-5/16"-12	1-5/16"-12	21.44	21.44	70.00	Metric	36 mm	41 mm	41 mm
DAJCI1251-1616IN	1-5/16"-12	1-5/16"-12	21.44	21.44	61.20	Imperial	/	38.1"	38.1"
DAJCI1251-2020	1-5/8"-12	1-5/8"-12	27.38	27.42	77.80	Metric	46 mm	50 mm	50 mm
DAJCI1251-2020IN	1-5/8"-12	1-5/8"-12	27.38	27.42	64.80	Imperial	/	5.08"	50.8"
DAJCI1251-2424IN	1-7/8"-12	1-7/8"-12	33.32	33.32	72.80	Imperial	/	57.15"	57.15"
DAJCI1251-3232IN	2-1/2"-12	2-1/2"-12	45.24	45.24	87.90	Imperial	/	73.02"	73.02"



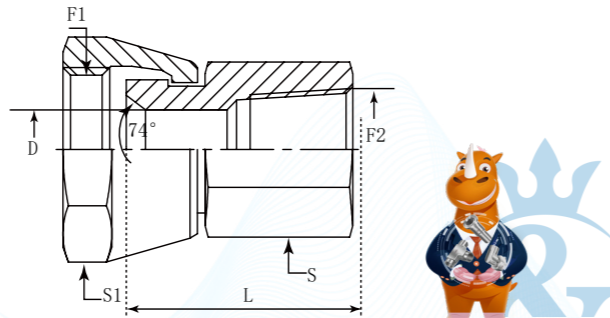
DAJC1128F

Straight Connector JIC Swivel Female – NPTF Female

D	A	JC	1	1	28	F
Company	Product Range	Thread Types	Connection Type	Adaptor Structure	Thread Types	Connection Type
DME	Adaptor	JIC UNF	Swivel Female	Straight	NPTF	Female



- DME&JDE Code:** DAJC1128F
- Product Type:** Hydraulic adaptor
- Standard:** JIC and SAE-ORB
- Structure:** Straight
- Connection Type:** Swivel Female x Female
- Thread Types:** UNF x NPTF



PART NUMBER	F1 (Thread)	F2 (Thread)	D	L	S	S1	Hex
#	UNF	NPTF	mm	mm	-	-	-
DAJC1128F-0202	5/16"-24	1/8"-27	1.57	22.60	14 mm	11 mm	Metric
DAJC1128F-0204	5/16"-24	1/4"-18	1.57	30.50	19 mm	11 mm	Metric
DAJC1128F-0202IN	5/16"-24	1/8"-27	1.57	22.60	9/16"	7/16"	Imperial
DAJC1128F-0204IN	5/16"-24	1/4"-18	1.57	30.50	3/4"	7/16"	Imperial
DAJC1128F-0402	7/16"-20	1/8"-27	4.37	23.40	14 mm	14 mm	Metric
DAJC1128F-0404	7/16"-20	1/4"-18	4.37	29.70	19 mm	14 mm	Metric
DAJC1128F-0406	7/16"-20	3/8"-18	4.37	31.50	22 mm	14 mm	Metric
DAJC1128F-0402IN	7/16"-20	1/8"-27	4.37	23.40	9/16"	9/16"	Imperial
DAJC1128F-0404IN	7/16"-20	1/4"-18	4.37	29.70	3/4"	9/16"	Imperial
DAJC1128F-0406IN	7/16"-20	3/8"-18	4.37	31.50	7/8"	9/16"	Imperial
DAJC1128F-0504	1/2"-20	1/4"-18	5.94	30.70	19 mm	17 mm	Metric
DAJC1128F-0504IN	1/2"-20	1/4"-18	5.94	30.70	3/4"	5/8"	Imperial
DAJC1128F-0602	9/16"-18	1/8"-27	7.54	25.50	14 mm	17 mm	Metric
DAJC1128F-0604	9/16"-18	1/4"-18	7.54	31.88	19 mm	17 mm	Metric
DAJC1128F-0606	9/16"-18	3/8"-18	7.54	33.27	22 mm	17 mm	Metric
DAJC1128F-0608	9/16"-18	1/2"-14	7.54	37.34	27 mm	17 mm	Metric
DAJC1128F-0602IN	9/16"-18	1/8"-27	7.54	25.50	9/16"	11/16"	Imperial
DAJC1128F-0604IN	9/16"-18	1/4"-18	7.54	31.88	3/4"	11/16"	Imperial
DAJC1128F-0606IN	9/16"-18	3/8"-18	7.54	33.27	7/8"	11/16"	Imperial
DAJC1128F-0608IN	9/16"-18	1/2"-14	7.54	37.34	1-1/8"	11/16"	Imperial
DAJC1128F-0708	5/8"-18	1/2"-14	7.14	37.20	27 mm	19 mm	Metric
DAJC1128F-0708IN	5/8"-18	1/2"-14	7.14	37.20	1-1/8"	3/4"	Imperial
DAJC1128F-0806	3/4"-16	3/8"-18	9.93	34.54	22 mm	22 mm	Metric
DAJC1128F-0808	3/4"-16	1/2"-14	9.93	37.60	27 mm	22 mm	Metric
DAJC1128F-0812	3/4"-16	3/4"-14	9.93	41.80	36 mm	22 mm	Metric
DAJC1128F-0806IN	3/4"-16	3/8"-18	9.93	34.54	7/8"	7/8"	Imperial
DAJC1128F-0808IN	3/4"-16	1/2"-14	9.93	37.60	1-1/8"	7/8"	Imperial
DAJC1128F-0812IN	3/4"-16	3/4"-14	9.93	41.80	1-3/8"	7/8"	Imperial
DAJC1128F-1006	7/8"-14	3/8"-18	12.29	35.50	22 mm	27 mm	Metric
DAJC1128F-1008	7/8"-14	1/2"-14	12.29	41.15	27 mm	27 mm	Metric
DAJC1128F-1012	7/8"-14	3/4"-14	12.29	42.60	36 mm	27 mm	Metric
DAJC1128F-1006IN	7/8"-14	3/8"-18	12.29	35.50	7/8"	1"	Imperial
DAJC1128F-1008IN	7/8"-14	1/2"-14	12.29	41.15	1-1/8"	1"	Imperial
DAJC1128F-1012IN	7/8"-14	3/4"-14	12.29	42.60	1-3/8"	1"	Imperial
DAJC1128F-1208	1-1/16"-12	1/2"-14	15.47	42.16	27 mm	32 mm	Metric
DAJC1128F-1212	1-1/16"-12	3/4"-14	15.47	43.70	36 mm	32 mm	Metric
DAJC1128F-1208IN	1-1/16"-12	1/2"-14	15.47	42.16	1-1/8"	1-1/4"	Imperial
DAJC1128F-1212IN	1-1/16"-12	3/4"-14	15.47	43.70	1-3/8"	1-1/4"	Imperial
DAJC1128F-1412	1-3/16"-12	3/4"-14	18.26	44.50	36 mm	36 mm	Metric
DAJC1128F-1412IN	1-3/16"-12	3/4"-14	18.26	44.50	1-3/8"	1-3/8"	Imperial
DAJC1128F-1612	1-5/16"-12	3/4"-14	21.44	40.90	36 mm	41 mm	Metric
DAJC1128F-1616	1-5/16"-12	1-11-1/2"	21.44	51.30	41 mm	41 mm	Metric
DAJC1128F-1612IN	1-5/16"-12	3/4"-14	21.44	40.90	1-3/8"	1-1/2"	Imperial
DAJC1128F-1616IN	1-5/16"-12	1-11-1/2"	21.44	51.30	1-5/8"	1-1/2"	Imperial
DAJC1128F-2020	1-5/8"-12	1-1/4"-11-1/2"	27.42	55.90	50 mm	50 mm	Metric
DAJC1128F-2020IN	1-5/8"-12	1-1/4"-11-1/2"	27.42	55.90	2"	2"	Imperial
DAJC1128F-2424	1-7/8"-12	1-1/2"-11-1/2"	33.32	57.60	70 mm	32 mm	Metric
DAJC1128F-2424IN	1-7/8"-12	1-1/2"-11-1/2"	33.32	57.60	2-3/8"	2-1/4"	Imperial
DAJC1128F-3232	2-1/2"-12	2"-11-1/2"	45.24	57.27	73 mm	73 mm	Metric
DAJC1128F-3232IN	2-1/2"-12	2"-11-1/2"	45.24	57.27	2-7/8"	2-7/8"	Imperial



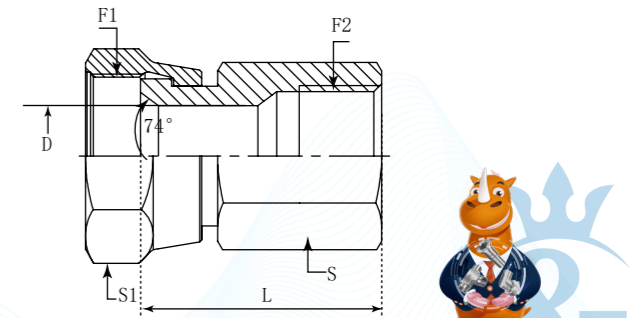
DAJC1105F

Straight Connector JIC Swivel Female – BSPP Fixed Female

D	A	JC	1	1	52	5
Company	Product Range	Thread Types	Connection Type	Adaptor Structure	Thread Types	Connection Type
DME	Adaptor	JIC UNF	Swivel Female	Straight	BSPP	Female



- DME&JDE Code:** DAJC1105F
- Product Type:** Hydraulic adaptor
- Standard:** JIC and SAE-ORB
- Structure:** Straight
- Connection Type:** Swivel Female x Fixed Male
- Thread Types:** UNF x BSPP



PART NUMBER	F1 (Thread)	F2 (Thread)	D	L	S	S1
#	UNF	BSPP	mm	mm	mm	mm
DAJC1105F-0404	7/16"-20	1/4"-19	4.37	27.50	19.00	17.00
DAJC1105F-0504	1/2"-20	1/4"-19	5.94	28.00	19.00	17.00
DAJC1105F-0604	9/16"-18	1/4"-19	7.54	28.50	19.00	19.00
DAJC1105F-0606	9/16"-18	3/8"-19	7.54	32.00	22.00	19.00
DAJC1105F-0804	3/4"-16	1/4"-19	9.93	31.00	22.00	24.00
DAJC1105F-0808	3/4"-16	1/2"-14	9.93	36.50	27.00	22.00
DAJC1105F-1008	7/8"-14	1/2"-14	12.29	36.00	27.00	27.00
DAJC1105F-1212	1-1/16"-12	3/4"-14	15.47	40.00	32.00	32.00
DAJC1105F-1616	1-5/16"-12	1"-11	21.44	43.50	41.00	41.00



DAJCF105F

Straight Coupling JIC Fixed Female – BSPP Fixed Female

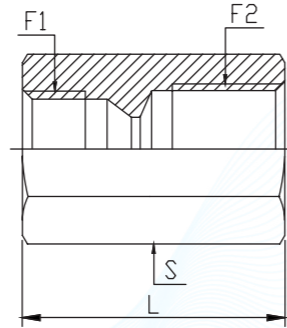
D	A	JC	F	1	05	F
Company	Product Range	Thread Types	Connection Type	Adaptor Structure	Thread Types	Connection Type
DME	Adaptor	JIC UNF	Fixed Female	Straight	BSPP	Fixed Female

German Technology Equipment

SHIELD FLEX

New-Standard

- DME&JDE Code: **DAJCF105F**
- Product Type: **Hydraulic adaptor**
- Standard: **JIC and SAE-ORB**
- Structure: **Straight**
- Connection Type: **Fixed Female x Fixed Female**
- Thread Types: **UNF x BSPP**



PART NUMBER	F1 (Thread)	F2 (Thread)	L	S
#	UNF	BSPP	mm	mm
DAJCF105F-0404	7/16"-20	1/4"-19	29.00	19.00
DAJCF105F-0604	9/16"-18	1/4"-19	29.00	19.00
DAJCF105F-0804	3/4"-16	1/4"-19	32.00	22.00
DAJCF105F-1004	7/8"-14	1/4"-19	32.00	27.00
DAJCF105F-1204	1-1/16"-12	1/4"-19	38.00	32.00
DAJCF105F-1604	1-5/16"-12	1/4"-19	40.00	41.00

DAJC1100B

Straight Connector JIC Female Swivel – Imperial/Metric Tube

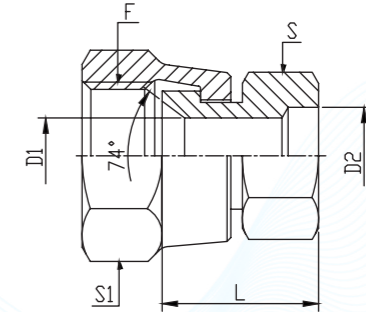
D	A	JC	1	1	00	B
Company	Product Range	Thread Types	Connection Type	Adaptor Structure	Sealing Type	Welding Type
DME	Adaptor	JIC UNF	Female Swivel	Straight	Welding	Socket

German Technology Equipment

SHIELD FLEX

New-Standard

- DME&JDE Code: **DAJC1100B**
- Product Type: **Hydraulic adaptor**
- Standard: **JIC and SAE-ORB**
- Structure: **Straight**
- Connection Type: **Swivel Female**
- Thread Types: **UNF**
- Sealing Method: **Welding**



PART NUMBER	F1 (Thread)	D1	D2	L	S	S1	Hex
#	UNF	mm	mm	mm	-	-	-
DAJC1100B-0406	7/16"-20	4.37	6.25	17	12 mm	17 mm	Metric
DAJC1100B-0406IN	7/16"-20	4.37	6.25	17	1/2"	5/8"	Imperial
DAJC1100B-0510	1/2"-20	5.94	9.6	18.00	14 mm	17 mm	Metric
DAJC1100B-0510IN	1/2"-20	5.94	10.00	18.00	9/16"	5/8"	Imperial
DAJC1100B-0610	9/16"-18	7.54	9.6	18.50	14 mm	19 mm	Metric
DAJC1100B-0612	9/16"-18	7.54	12.7	19.50	17 mm	19 mm	Metric
DAJC1100B-0610IN	9/16"-18	7.54	10.00	18.50	9/16"	13/16"	Imperial
DAJC1100B-0612IN	9/16"-18	7.54	12.00	19.50	5/8"	13/16"	Imperial
DAJC1100B-0810	3/4"-16	7.54	9.6	21.00	19 mm	22 mm	Metric
DAJC1100B-0812	3/4"-16	9.93	12.7	20.50	19 mm	24 mm	Imperial
DAJC1100B-0816	3/4"-16	9.93	16	21.00	22 mm	24 mm	Imperial
DAJC1100B-0818	3/4"-16	9.93	18	21.00	24 mm	24 mm	Imperial
DAJC1100B-0810IN	3/4"-16	7.54	9.60	21.00	13/16"	13/16"	Imperial
DAJC1100B-0816IN	3/4"-16	9.93	16.00	21.00	13/16"	15/16"	Imperial
DAJC1100B-0818IN	3/4"-16	9.93	18.00	21.00	1"	15/16"	Imperial
DAJC1100B-1012	7/8"-14	9.93	12.7	22.50	22 mm	27 mm	Metric
DAJC1100B-1016	7/8"-14	12.29	16	22.00	22 mm	27 mm	Metric
DAJC1100B-1018	7/8"-14	12.29	18	22.00	24 mm	27 mm	Metric
DAJC1100B-1022	7/8"-14	12.29	22	22.00	27 mm	27 mm	Metric
DAJC1100B-1012IN	7/8"-14	9.93	12.70	22.50	13/16"	1"	Imperial
DAJC1100B-1016IN	7/8"-14	12.29	16.00	22.00	13/16"	1"	Imperial
DAJC1100B-1018IN	7/8"-14	12.29	18.00	22.00	15/16"	1"	Imperial
DAJC1100B-1022IN	7/8"-14	12.29	22.00	22.00	1"	1"	Imperial
DAJC1100B-1218	1-1/16"-12	15.47	18	28.50	27 mm	32 mm	Metric
DAJC1100B-1220	1-1/16"-12	15.47	19	28.50	27 mm	32 mm	Metric
DAJC1100B-1225	1-1/16"-12	15.47	25.4	29.50	32 mm	32 mm	Metric
DAJC1100B-1218IN	1-1/16"-12	15.47	18.00	28.50	1"	1-1/4"	Imperial
DAJC1100B-1220IN	1-1/16"-12	15.47	20.00	28.50	1"	1-1/4"	Imperial
DAJC1100B-1225IN	1-1/16"-12	15.47	25.00	29.50	1-1/4"	1-1/4"	Imperial
DAJC1100B-1625	1-5/16"-12	21.44	25.4	29.50	32 mm	41 mm	Metric
DAJC1100B-1627	1-5/16"-12	21.44	27	29.50	32 mm	41 mm	Metric
DAJC1100B-1632	1-5/16"-12	21.44	31.8	33.00	41 mm	41 mm	Metric
DAJC1100B-1625IN	1-5/16"-12	21.44	25.00	29.50	1-1/4"	1-1/2"	Imperial
DAJC1100B-1627IN	1-5/16"-12	21.44	27.00	29.50	1-1/4"	1-1/2"	Imperial
DAJC1100B-1632IN	1-5/16"-12	21.44	32.00	33.00	1-1/2"	1-1/2"	Imperial
DAJC1100B-2032	1-5/8"-12	27.38	31.8	33.00	41 mm	50 mm	Metric
DAJC1100B-2038	1-5/8"-12	27.38	38.1	35.50	46 mm	50 mm	Metric
DAJC1100B-2032IN	1-5/8"-12	27.38	32.00	33.00	1-1/2"	1-7/8"	Imperial
DAJC1100B-2038IN	1-5/8"-12	27.38	38.00	35.50	1-11/16"	1-7/8"	Imperial
DAJC1100B-2438	1-7/8"-12	33.32	38.1	35.50	50 mm	55 mm	Metric
DAJC1100B-2438IN	1-7/8"-12	33.32	38.00	35.50	1-7/8"	2-1/8"	Imperial

Certificate:



DAJCM1000

Male Plug JIC

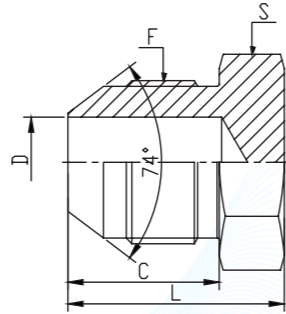
D	A	JC	M	1	000
Company	Product Range	Thread Types	Connection Type	Adaptor Structure	Other Features
DME	Adaptor	JIC UNF	Male	Straight	Nut/Plug

German Technology Equipment

SHIELD FLEX

New-Standard

- DME&JDE Code: **DAJCM1000**
- Product Type: **Hydraulic adaptor**
- Standard: **JIC and SAE-ORB**
- Structure: **Straight**
- Connection Type: **Male**
- Thread Types: **UNF**
- Other Features: **Socket Welding**



PART NUMBER	F1 (Thread)	C	D	L	S	Hex
#	UNF	mm	mm	mm	-	-
DAJCM1000-0200	5/16"-24	11.38	1.57	17.80	11 mm	Metric
DAJCM1000-0200IN	5/16"-24	11.38	1.57	17.80	7/16"	Imperial
DAJCM1000-0300	3/8"-24	12.17	3.18	12.17	11 mm	Metric
DAJCM1000-0300IN	3/8"-24	12.17	3.18	12.17	7/16"	Imperial
DAJCM1000-0400	7/16"-20	13.97	4.37	20.30	12 mm	Metric
DAJCM1000-0400IN	7/16"-20	13.97	4.37	20.30	1/2"	Imperial
DAJCM1000-0500	1/2"-20	13.97	5.94	20.30	14 mm	Metric
DAJCM1000-0500IN	1/2"-20	13.97	5.94	20.30	9/16"	Imperial
DAJCM1000-0600	9/16"-18	14.12	7.54	21.34	17 mm	Metric
DAJCM1000-0600IN	9/16"-18	14.12	7.54	21.34	5/8"	Imperial
DAJCM1000-0700	5/8"-18	15.70	7.14	22.50	17 mm	Metric
DAJCM1000-0700IN	5/8"-18	15.70	7.14	22.50	11/16"	Imperial
DAJCM1000-0800	3/4"-16	16.69	9.93	23.90	19 mm	Metric
DAJCM1000-0800IN	3/4"-16	16.69	9.93	23.90	13/16"	Imperial
DAJCM1000-1000	7/8"-14	19.25	12.29	27.90	24 mm	Metric
DAJCM1000-1000IN	7/8"-14	19.25	12.29	27.90	15/16"	Imperial
DAJCM1000-1200	1-1/16"-12	21.95	15.47	32.50	27 mm	Metric
DAJCM1000-1200IN	1-1/16"-12	21.95	15.47	32.50	1-1/8"	Imperial
DAJCM1000-1400	1-3/16"-12	23.00	18.00	33.30	32 mm	Metric
DAJCM1000-1400IN	1-3/16"-12	23.00	18.00	33.30	1-1/4"	Imperial
DAJCM1000-1600	1-5/16"-12	23.14	21.44	33.80	36 mm	Metric
DAJCM1000-1600IN	1-5/16"-12	23.14	21.44	33.80	1-3/8"	Imperial
DAJCM1000-2000	1-5/8"-12	24.33	27.40	36.80	46 mm	Metric
DAJCM1000-2000IN	1-5/8"-12	24.33	27.40	36.80	1-11/16"	Imperial
DAJCM1000-2400	1-7/8"-12	27.51	33.30	41.90	50 mm	Metric
DAJCM1000-2400IN	1-7/8"-12	27.51	33.30	41.90	2"	Imperial
DAJCM1000-3200	2-1/2"-12	33.86	45.24	52.10	65 mm	Metric
DAJCM1000-3200IN	2-1/2"-12	33.86	45.24	52.10	2-5/8"	Imperial

DAJCM100B

Straight Bonding(Socket Welding) Connector JIC Male – Imperial/Metric Tube

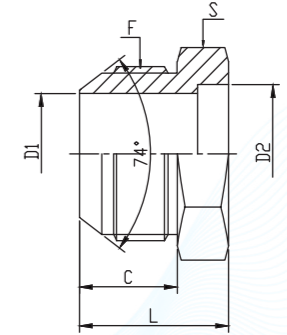
D	A	JC	M	1	00	B
Company	Product Range	Thread Types	Connection Type	Adaptor Structure	Sealing Type	Welding Type
DME	Adaptor	JIC UNF	Male	Straight	Welding	Socket

German Technology Equipment

SHIELD FLEX

New-Standard

- DME&JDE Code: **DAJCM100B**
- Product Type: **Hydraulic adaptor**
- Standard: **JIC and SAE-ORB**
- Structure: **Straight**
- Connection Type: **Male x Metric**
- Thread Types: **UNF**
- Other Features: **Nut/Plug**



PART NUMBER	F (Thread)	C	D1	D2	L	S	Hex
#	UNF	mm	mm	mm	mm	mm	-
DAJCM100B-0406	7/16"-20	13.97	4.37	6.25	20.32	12 mm	Metric
DAJCM100B-0406IN	7/16"-20	13.97	4.37	6.45	20.32	12.70"	Imperial
DAJCM100B-0410	7/16"-20	13.97	4.37	9.60	20.30	14 mm	Metric
DAJCM100B-0410IN	7/16"-20	13.97	4.37	9.68	20.30	14.00"	Imperial
DAJCM100B-0508	1/2"-20	13.97	5.94	8.10	20.32	14 mm	Metric
DAJCM100B-0508IN	1/2"-20	13.97	5.94	8.10	20.32	14.27"	Imperial
DAJCM100B-0510	1/2"-20	13.97	5.94	9.60	21.34	17 mm	Metric
DAJCM100B-0510IN	1/2"-20	13.97	5.94	9.68	21.34	15.88"	Imperial
DAJCM100B-0610	9/16"-18	14.12	7.54	9.60	21.34	17 mm	Metric
DAJCM100B-0610IN	9/16"-18	14.12	7.54	9.63	21.34	15.88"	Imperial
DAJCM100B-0612	9/16"-18	14.12	7.54	12.10	21.50	17 mm	Metric
DAJCM100B-0612IN	9/16"-18	14.12	7.54	12.85	21.50	17.00"	Imperial
DAJCM100B-0810	3/4"-16	16.69	7.54	9.60	23.88	22 mm	Metric
DAJCM100B-0810IN	3/4"-16	16.69	7.54	9.63	23.88	20.64"	Imperial
DAJCM100B-0812	3/4"-16	16.69	9.93	12.10	23.88	22 mm	Metric
DAJCM100B-0812IN	3/4"-16	16.69	9.93	12.80	23.88	20.64"	Imperial
DAJCM100B-0816	3/4"-16	16.69	9.93	16.15	23.90	22 mm	Metric
DAJCM100B-0816IN	3/4"-16	16.69	9.93	16.03	23.90	20.64"	Imperial
DAJCM100B-0812IN	3/4"-16	16.69	9.93	12.80	23.88	13/16"	Imperial
DAJCM100B-0816IN	3/4"-16	16.69	9.93	16.03	23.90	13/16"	Imperial
DAJCM100B-0818	3/4"-16	16.69	9.93	18.00	24.50	24 mm	Metric



DAJCM100B-0820	3/4"-16	16.69	9.93	20	24.89	24 mm	Metric
DAJCM100B-0820IN	3/4"-16	16.69	9.93	19.20	24.89	23.81"	Imperial
DAJCM100B-1012	7/8"-14	19.25	9.93	12.10	27.90	24 mm	Metric
DAJCM100B-1012IN	7/8"-14	19.25	9.93	12.80	27.90	23.80"	Imperial
DAJCM100B-1016	7/8"-14	19.25	12.29	16.15	28.00	24 mm	Metric
DAJCM100B-1016IN	7/8"-14	19.25	12.29	16.00	28.00	23.80"	Imperial
DAJCM100B-1018	7/8"-14	19.25	12.29	18.00	28.00	24 mm	Metric
DAJCM100B-1020	7/8"-14	19.25	12.29	20.00	27.94	24 mm	Metric
DAJCM100B-1020IN	7/8"-14	19.25	12.29	19.20	27.94	23.81"	Imperial
DAJCM100B-1022	7/8"-14	19.25	12.29	22.00	33.00	27 mm	Metric
DAJCM100B-1216	1-1/16"-12	21.95	12.29	16.15	32.50	27 mm	Metric
DAJCM100B-1216IN	1-1/16"-12	21.95	12.29	16.03	32.50	28.60"	Imperial
DAJCM100B-1218	1-1/16"-12	21.95	12.29	18.00	33.00	27 mm	Metric
DAJCM100B-1220	1-1/16"-12	21.95	15.47	20.00	33.00	27 mm	Metric
DAJCM100B-1220IN	1-1/16"-12	21.95	15.47	19.20	33.00	28.58"	Imperial
DAJCM100B-1225	1-1/16"-12	21.95	15.47	25.13	32.51	32 mm	Metric
DAJCM100B-1225IN	1-1/16"-12	21.95	15.47	25.55	32.51	31.75"	Imperial
DAJCM100B-1625	1-5/16"-12	23.14	21.44	25.13	33.50	36 mm	Metric
DAJCM100B-1625IN	1-5/16"-12	23.14	21.44	25.58	33.50	34.93"	Imperial
DAJCM100B-1627	1-5/16"-12	23.14	21.44	27.00	35.00	36 mm	Metric
DAJCM100B-1632	1-5/16"-12	23.14	21.44	32.05	43.94	46 mm	Metric
DAJCM100B-1632IN	1-5/16"-12	23.14	21.44	31.93	43.94	42.88"	Imperial
DAJCM100B-2025	1-5/8"-12	24.33	21.44	25.13	36.83	46 mm	Metric
DAJCM100B-2025IN	1-5/8"-12	24.33	21.44	25.58	36.83	42.86"	Imperial
DAJCM100B-2032	1-5/8"-12	24.33	27.38	32.05	36.83	46 mm	Metric
DAJCM100B-2032IN	1-5/8"-12	24.33	27.38	31.90	36.83	42.86"	Imperial
DAJCM100B-2038	1-5/8"-12	24.33	27.38	38.00	43.40	50 mm	Metric
DAJCM100B-2038IN	1-5/8"-12	24.33	27.38	38.25	43.40	50.00"	Imperial
DAJCM100B-2432	1-7/8"-12	27.51	27.38	32.05	41.90	50 mm	Metric
DAJCM100B-2432IN	1-7/8"-12	27.51	27.38	31.90	41.90	50.80"	Imperial
DAJCM100B-2438	1-7/8"-12	27.51	33.32	38.00	46.74	50 mm	Metric
DAJCM100B-2438IN	1-7/8"-12	27.51	33.32	38.28	46.74	50.80"	Imperial
DAJCM100B-3250	2-1/2"-12	33.86	45.24	50.00	52.07	65 mm	Metric
DAJCM100B-3250IN	2-1/2"-12	33.86	45.24	50.95	52.07	66.68"	Imperial

DAJC31000

JIC Female Cap

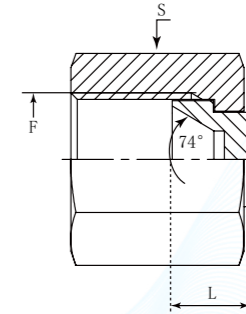
D	A	JC	3	1	000
Company	Product Range	Thread Types	Adaptor Structure	Adaptor Structure	Other Features
DME	Adaptor	JIC UNF	Slip-on Female	Straight	Nut/Plug

- DME&JDE Code:** DAJC31000
- Product Type:** Hydraulic adaptor
- Standard:** JIC and SAE-ORB
- Structure:** Straight
- Connection Type:** Slip-on Female
- Thread Types:** UNF
- Other Features:** Nut/Plug

German Technology Equipment

SHIELD FLEX

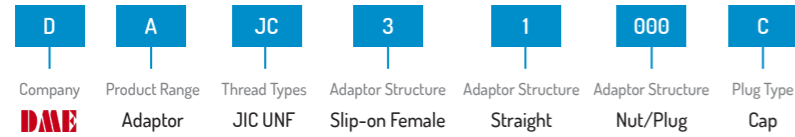
New-Standard



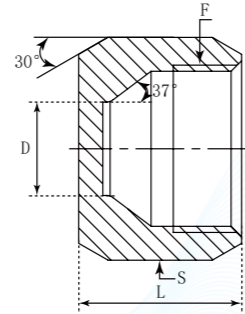
PART NUMBER	F1 (Thread)	L	S
#	UNF	mm	mm
DAJC31000-0400	7/16"-20	8.70	14.00
DAJC31000-0500	1/2"-20	10.30	17.00
DAJC31000-0600	9/16"-18	11.90	19.00
DAJC31000-0700	5/8"-18	11.00	22.00
DAJC31000-0800	3/4"-16	13.50	22.00
DAJC31000-1000	7/8"-14	13.50	27.00
DAJC31000-1200	1-1/16"-12	16.70	32.00
DAJC31000-1400	1-3/16"-12	15.90	36.00
DAJC31000-1600	1-5/16"-12	15.90	41.00
DAJC31000-2000	1-5/8"-12	19.10	50.00
DAJC31000-2400	1-7/8"-12	23.80	60.00
DAJC31000-3200	2-1/2"-12	30.10	73.00

DAJC31000-C

JIC Female Cap



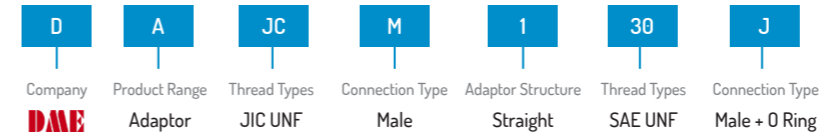
- DME&JDE Code:** DAJC31000-C
- Product Type:** Hydraulic adaptor
- Standard:** JIC and SAE-ORB
- Structure:** Straight
- Connection Type:** Female
- Thread Types:** UNF
- Other Features:** Nut/Plug



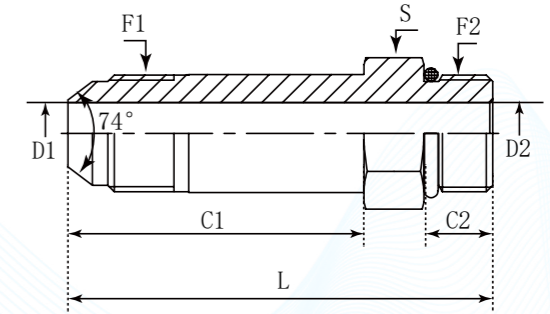
PART NUMBER	F1 (Thread)	D	L	S
#	UNF	mm	mm	mm
DAJC31000-C-02	5/16"-24	1.57	12.70	9.53
DAJC31000-C-03	3/8"-24	3.18	14.30	11.11
DAJC31000-C-04	7/16"-20	4.37	15.30	14.27
DAJC31000-C-05	1/2"-20	5.94	15.47	15.87
DAJC31000-C-06	9/16"-18	7.54	15.88	17.46
DAJC31000-C-08	3/4"-16	9.93	19.00	22.23
DAJC31000-C-10	7/8"-14	12.29	21.44	25.40
DAJC31000-C-12	1-1/16"-12	15.47	23.00	31.75
DAJC31000-C-14	1-3/16"-12	18.26	24.60	34.93
DAJC31000-C-16	1-5/16"-12	21.44	25.81	38.10
DAJC31000-C-20	1-5/8"-12	27.38	26.97	50.80
DAJC31000-C-24	1-7/8"-12	33.32	30.18	57.15
DAJC31000-C-32	2-1/2"-12	45.24	36.53	73.03

DAJCM130J

Straight Long Connector JIC Male – SAE Male + O Ring



- DME&JDE Code:** DAJCM130J
- Product Type:** Hydraulic adaptor
- Standard:** JIC and SAE-ORB
- Structure:** Straight
- Connection Type:** Male x Male
- Thread Types:** UNF x UNF
- Sealing Method:** O Ring



PART NUMBER	F1 (Thread)	F2 (Thread)	C1	C2	D1	D2	L	S	Hex
#	UNF	UNF	mm	mm	mm	mm	mm	-	-
DAJCM130J-0404	7/16"-20	7/16"-20	35.30	9.14	4.37	4.37	52.80	14 mm	Metric
DAJCM130J-0405	7/16"-20	1/2"-20	35.30	9.14	4.37	5.94	52.90	17 mm	Metric
DAJCM130J-0406	7/16"-20	9/16"-18	35.30	9.93	4.37	7.54	54.40	17 mm	Metric
DAJCM130J-0404IN	7/16"-20	7/16"-20	35.30	9.14	4.37	4.37	52.80	9/16"	Imperial
DAJCM130J-0405IN	7/16"-20	1/2"-20	35.30	9.14	4.37	5.94	52.90	5/8"	Imperial
DAJCM130J-0406IN	7/16"-20	9/16"-18	35.30	9.93	4.37	7.54	54.40	11/16"	Imperial
DAJCM130J-0505	1/2"-20	1/2"-20	36.80	9.14	5.94	5.94	54.40	17 mm	Metric
DAJCM130J-0505IN	1/2"-20	1/2"-20	36.80	9.14	5.94	5.94	54.40	5/8"	Imperial
DAJCM130J-0606	9/16"-18	9/16"-18	39.62	9.93	7.54	7.54	58.50	17 mm	Metric
DAJCM130J-0608	9/16"-18	3/4"-16	39.62	11.13	7.54	9.93	60.40	22 mm	Metric
DAJCM130J-0606IN	9/16"-18	9/16"-18	39.62	9.93	7.54	7.54	58.50	11/16"	Imperial
DAJCM130J-0608IN	9/16"-18	3/4"-16	39.62	11.13	7.54	9.93	60.40	7/8"	Imperial
DAJCM130J-0806	3/4"-16	9/16"-18	47.80	9.93	9.93	7.54	67.70	22 mm	Metric
DAJCM130J-0808	3/4"-16	3/4"-16	47.80	11.13	9.93	9.93	68.60	22 mm	Metric
DAJCM130J-0810	3/4"-16	7/8"-14	51.82	12.70	9.93	12.29	74.70	27 mm	Metric
DAJCM130J-0812	3/4"-16	1-1/16"-12	51.82	15.09	9.93	15.47	80.00	32 mm	Metric
DAJCM130J-0806IN	3/4"-16	9/16"-18	47.80	9.93	9.93	7.54	67.70	13/16"	Imperial



DAJCM130J-0808IN	3/4"-16	3/4"-16	47.80	11.13	9.93	9.93	68.60	7/8"	Imperial
DAJCM130J-0810IN	3/4"-16	7/8"-14	51.82	12.70	9.93	12.29	74.70	1"	Imperial
DAJCM130J-0812IN	3/4"-16	1-1/16"-12	51.82	15.09	9.93	15.47	80.00	1-1/4"	Imperial
DAJCM130J-1010	7/8"-14	7/8"-14	53.10	12.70	12.29	12.29	77.20	27 mm	Metric
DAJCM130J-1012	7/8"-14	1-1/16"-12	53.10	15.09	12.29	15.47	81.30	32 mm	Metric
DAJCM130J-1010IN	7/8"-14	7/8"-14	53.10	12.70	12.29	12.29	77.20	1"	Imperial
DAJCM130J-1012IN	7/8"-14	1-1/16"-12	53.10	15.09	12.29	15.47	81.30	1-1/4"	Imperial
DAJCM130J-1208	1-1/16"-12	3/4"-16	63.50	11.13	15.47	9.93	87.89	27 mm	Metric
DAJCM130J-1210	1-1/16"-12	7/8"-14	63.50	12.70	15.47	12.29	89.40	27 mm	Metric
DAJCM130J-1212	1-1/16"-12	1-1/16"-12	63.50	15.09	15.47	15.47	91.70	32 mm	Metric
DAJCM130J-1216	1-1/16"-12	1-5/16"-12	63.50	15.09	15.47	21.44	91.70	41 mm	Metric
DAJCM130J-1208IN	1-1/16"-12	3/4"-16	63.50	11.13	15.47	9.93	87.89	1-1/8"	Imperial
DAJCM130J-1210IN	1-1/16"-12	7/8"-14	63.50	12.70	15.47	12.29	89.40	1-1/8"	Imperial
DAJCM130J-1212IN	1-1/16"-12	1-1/16"-12	63.50	15.09	15.47	15.47	91.70	1-1/4"	Imperial
DAJCM130J-1216IN	1-1/16"-12	1-5/16"-12	63.50	15.09	15.47	21.44	91.70	1-1/2"	Imperial
DAJCM130J-1414	1-3/16"-12	1-3/16"-12	68.30	15.09	18.26	18.26	96.50	36 mm	Metric
DAJCM130J-1414IN	1-3/16"-12	1-3/16"-12	68.30	15.09	18.26	18.26	96.50	1-3/8"	Imperial
DAJCM130J-1612	1-5/16"-12	1-1/16"-12	72.10	15.09	21.44	15.47	104.40	41 mm	Metric
DAJCM130J-1616	1-5/16"-12	1-5/16"-12	72.10	15.09	21.44	21.44	101.10	41 mm	Metric
DAJCM130J-1620	1-5/16"-12	1-5/8"-12	72.10	15.09	21.44	27.38	103.10	50 mm	Metric
DAJCM130J-1612IN	1-5/16"-12	1-1/16"-12	72.10	15.09	21.44	15.47	104.40	1-1/2"	Imperial
DAJCM130J-1616IN	1-5/16"-12	1-5/16"-12	72.10	15.09	21.44	21.44	101.10	1-1/2"	Imperial
DAJCM130J-1620IN	1-5/16"-12	1-5/8"-12	72.10	15.09	21.44	27.38	103.10	1-7/8"	Imperial
DAJCM130J-2016	1-5/8"-12	1-5/16"-12	88.10	15.09	27.38	21.44	120.00	50 mm	Metric
DAJCM130J-2020	1-5/8"-12	1-5/8"-12	88.10	15.09	27.38	27.38	119.10	50 mm	Metric
DAJCM130J-2016IN	1-5/8"-12	1-5/16"-12	88.10	15.09	27.38	21.44	120.00	1-7/8"	Imperial
DAJCM130J-2020IN	1-5/8"-12	1-5/8"-12	88.10	15.09	27.38	27.38	119.10	1-7/8"	Imperial
DAJCM130J-2424	1-7/8"-12	1-7/8"-12	98.60	15.09	33.32	33.32	131.30	55 mm	Metric
DAJCM130J-2424IN	1-7/8"-12	1-7/8"-12	98.60	15.09	33.32	33.32	131.30	2-1/8"	Imperial

DAJCM152Y

Long Connector JIC Male – Metric Male + Retaining Ring + O Ring

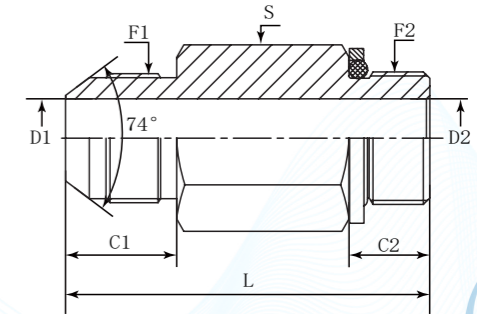
D	A	JC	M	1	52	Y
Company	Product Range	Thread Types	Connection Type	Adaptor Structure	Thread Types	Connection & Sealing Method
DME	Adaptor	JIC UNF	Male	Straight	Metric	Male + Long O Ring + Retaining Ring

German Technology Equipment

SHIELD FLEX

New-Standard

- DME&JDE Code:** DAJCM152Y
- Product Type:** Hydraulic adaptor
- Standard:** JIC and SAE-ORB
- Structure:** Straight
- Connection Type:** Male x Male
- Thread Types:** UNF x Metric
- Sealing Method:** O Ring



PART NUMBER	F1 (Thread)	F2 (Thread)	C1	C2	D1	D2	L	S
#	UNF	METRIC	mm	mm	mm	mm	mm	mm
DAJCM152Y-0410	7/16"-20	M10X1	35.00	8.50	4.37	4.37	51.00	14
DAJCM152Y-0510	1/2"-20	M10X1	37.00	8.50	5.94	4.50	53.00	17
DAJCM152Y-0512	1/2"-20	M12X1.5	37.00	11.00	5.94	6.00	55.50	17
DAJCM152Y-0514	1/2"-20	M14X1.5	37.00	11.00	5.94	7.50	56.50	19
DAJCM152Y-0614	9/16"-18	M14X1.5	39.00	11.00	7.54	7.54	58.50	19
DAJCM152Y-0616	9/16"-18	M16X1.5	39.00	11.50	7.54	9.00	60.00	22
DAJCM152Y-0816	3/4"-16	M16X1.5	48.00	11.50	9.00	9.00	69.00	22
DAJCM152Y-0818	3/4"-16	M18X1.5	48.00	12.50	9.93	11.00	70.50	24
DAJCM152Y-1018	7/8"-14	M18X1.5	53.00	12.50	12.29	11.00	75.50	24
DAJCM152Y-1020	7/8"-14	M20X1.5	53.00	12.50	12.29	12.00	76.00	27
DAJCM152Y-1022	7/8"-14	M22X1.5	53.00	13.00	12.29	14.00	78.00	27
DAJCM152Y-1222	1-1/16"-12	M22X1.5	63.00	13.00	15.47	12.00	88.00	27
DAJCM152Y-1227	1-1/16"-12	M27X2	63.00	16.00	15.47	18.00	92.50	32
DAJCM152Y-1627	1-5/16"-12	M27X2	72.00	16.00	21.44	18.00	102.00	36
DAJCM152Y-1633	1-5/16"-12	M33X2	72.00	16.00	21.44	21.44	102.50	41
DAJCM152Y-2042	1-5/8"-12	M42X2	88.00	16.00	27.38	30.00	121.00	50
DAJCM152Y-2448	1-7/8"-12	M48X2	98.00	17.50	33.32	36.00	136.00	55

DAJCM152J

Straight Long Connector JIC Male – Metric Male + O Ring

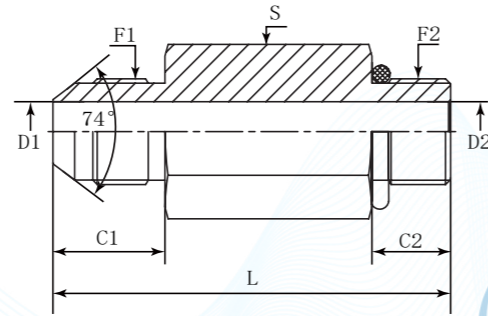
D	A	JC	M	1	52	J
Company	Product Range	Thread Types	Connection Type	Adaptor Structure	Thread Types	Connection & Sealing Method
DME	Adaptor	JIC UNF	Male	Straight	Metric	Male + O Ring Long Connection

German Technology Equipment

SHIELD FLEX

New-Standard

- DME&JDE Code:** DAJCM152J
- Product Type:** Hydraulic adaptor
- Standard:** JIC and SAE-ORB
- Structure:** Straight
- Connection Type:** Male x Male
- Thread Types:** UNF x Metric
- Sealing Method:** O Ring



PART NUMBER	F1 (Thread)	F2 (Thread)	C1	C2	D1	D2	L	S
#	UNF	METRIC	mm	mm	mm	mm	mm	mm
DAJCM152J-0410	7/16"-20	M10X1	35.00	8.50	4.37	4.37	51.00	14
DAJCM152J-0510	1/2"-20	M10X1	37.00	8.50	5.94	4.50	53.00	17
DAJCM152J-0512	1/2"-20	M12X1.5	37.00	11.00	5.94	6.00	55.50	17
DAJCM152J-0514	1/2"-20	M14X1.5	37.00	11.00	5.94	7.50	56.50	19
DAJCM152J-0614	9/16"-18	M14X1.5	39.00	11.00	7.54	7.54	58.50	19
DAJCM152J-0616	9/16"-18	M16X1.5	39.00	11.50	7.54	9.00	60.00	22
DAJCM152J-0816	3/4"-16	M16X1.5	48.00	11.50	9.00	9.00	69.00	22
DAJCM152J-0818	3/4"-16	M18X1.5	48.00	12.50	9.93	11.00	70.50	24
DAJCM152J-1018	7/8"-14	M18X1.5	53.00	12.50	12.29	11.00	75.50	24
DAJCM152J-1022	7/8"-14	M22X1.5	53.00	13.00	12.29	14.00	78.00	27
DAJCM152J-1222	1-1/16"-12	M22X1.5	63.00	13.00	15.47	12.00	88.00	27
DAJCM152J-1227	1-1/16"-12	M27X2	63.00	16.00	15.47	18.00	92.50	32
DAJCM152J-1627	1-5/16"-12	M27X2	72.00	16.00	21.44	18.00	102.00	36
DAJCM152J-1633	1-5/16"-12	M33X2	72.00	16.00	21.44	21.44	102.50	41
DAJCM152J-2042	1-5/8"-12	M42X2	88.00	16.00	27.38	30.00	121.00	50
DAJCM152J-2448	1-7/8"-12	M48X2	98.00	17.50	33.32	36.00	136.00	55

DAJCM128P

Straight Long Connector JIC Male – NPTF Male 60°

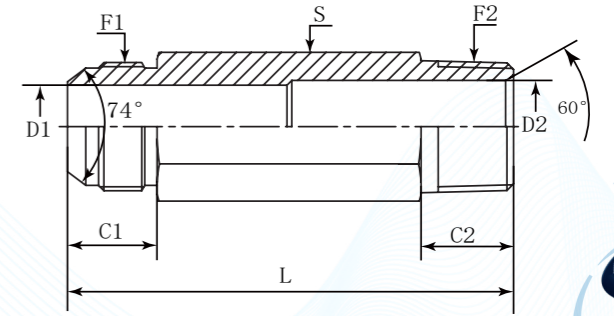
D	A	JC	M	1	28	P
Company	Product Range	Thread Types	Connection Type	Adaptor Structure	Thread Types	Connection Type
DME	Adaptor	JIC UNF	Male	Straight	NPTF	Male Long Connection

German Technology Equipment

SHIELD FLEX

New-Standard

- DME&JDE Code:** DAJCM128P
- Product Type:** Hydraulic adaptor
- Standard:** JIC and SAE-ORB
- Structure:** Straight
- Connection Type:** Male x Male
- Thread Types:** UNF x NPTF



PART NUMBER	F1 (Thread)	F2 (Thread)	C1	C2	D1	D2	L	S	Hex
#	UNF	NPTF	mm	mm	mm	mm	mm	-	-
DAJCM128P-0402	7/16"-20	1/8"-27	13.97	9.65	4.37	4.78	45.70	12 mm	Metric
DAJCM128P-0404	7/16"-20	1/4"-18	13.97	14.22	4.37	7.14	57.20	14 mm	Metric
DAJCM128P-0402IN	7/16"-20	1/8"-27	13.97	9.65	4.37	4.78	45.70	1/2"	Imperial
DAJCM128P-0404IN	7/16"-20	1/4"-18	13.97	14.22	4.37	7.14	57.20	9/16"	Imperial
DAJCM128P-0502	1/2"-20	1/8"-27	13.97	9.65	5.94	4.78	49.30	14 mm	Metric
DAJCM128P-0504	1/2"-20	1/4"-18	13.97	14.22	5.94	7.14	57.10	14 mm	Metric
DAJCM128P-0502IN	1/2"-20	1/8"-27	13.97	9.65	5.94	4.78	49.30	9/16"	Imperial
DAJCM128P-0504IN	1/2"-20	1/4"-18	13.97	14.22	5.94	7.14	57.10	9/16"	Imperial
DAJCM128P-0602	9/16"-18	1/8"-27	14.12	9.65	7.54	4.78	55.90	17 mm	Metric
DAJCM128P-0604	9/16"-18	1/4"-18	14.12	14.22	7.14	7.14	57.20	17 mm	Metric
DAJCM128P-0606	9/16"-18	3/8"-18	14.12	14.22	7.54	10.31	63.50	19 mm	Metric
DAJCM128P-0608	9/16"-18	1/2"-14	14.12	19.05	7.54	13.49	74.80	22 mm	Metric
DAJCM128P-0602IN	9/16"-18	1/8"-27	14.12	9.65	7.54	4.78	55.90	5/8"	Imperial
DAJCM128P-0604IN	9/16"-18	1/4"-18	14.12	14.22	7.14	7.14	57.20	5/8"	Imperial
DAJCM128P-0606IN	9/16"-18	3/8"-18	14.12	14.22	7.54	10.31	63.50	3/4"	Imperial
DAJCM128P-0608IN	9/16"-18	1/2"-14	14.12	19.05	7.54	13.49	74.80	7/8"	Imperial
DAJCM128P-0806	3/4"-16	3/8"-18	16.69	14.22	9.93	9.93	69.90	19 mm	Metric
DAJCM128P-0808	3/4"-16	1/2"-14	16.69	19.05	9.93	13.49	77.20	22 mm	Metric
DAJCM128P-0806IN	3/4"-16	3/8"-18	16.69	14.22	9.93	9.93	69.90	13/16"	Imperial
DAJCM128P-0808IN	3/4"-16	1/2"-14	16.69	19.05	9.93	13.49	77.20	7/8"	Imperial
DAJCM128P-1008	7/8"-14	1/2"-14	19.25	19.05	12.29	13.49	79.30	24 mm	Metric
DAJCM128P-1008IN	7/8"-14	1/2"-14	19.25	19.05	12.29	13.49	79.30	15/16"	Imperial
DAJCM128P-1208	1-1/16"-12	1/2"-14	21.95	19.05	15.47	13.49	88.90	27 mm	Metric
DAJCM128P-1212	1-1/16"-12	3/4"-14	21.95	19.05	15.47	18.26	88.90	27 mm	Metric
DAJCM128P-1208IN	1-1/16"-12	1/2"-14	21.95	19.05	15.47	13.49	88.90	1-1/8"	Imperial
DAJCM128P-1212IN	1-1/16"-12	3/4"-14	21.95	19.05	15.47	18.26	88.90	1-1/8"	Imperial
DAJCM128P-1612	1-5/16"-12	3/4"-14	23.14	19.05	21.44	18.26	96.80	36 mm	Metric
DAJCM128P-1616	1-5/16"-12	1"-11-1/2	23.14	23.88	21.44	23.83	101.60	36 mm	Metric
DAJCM128P-1612IN	1-5/16"-12	3/4"-14	23.14	19.05	21.44	18.26	96.80	1-3/8"	Imperial
DAJCM128P-1616IN	1-5/16"-12	1"-11-1/2	23.14	23.88	21.44	23.83	101.60	1-3/8"	Imperial
DAJCM128P-2020	1-5/8"-12	1-1/4"-11-1/2	24.33	24.64	27.38	31.75	114.30	46 mm	Metric
DAJCM128P-2020IN	1-5/8"-12	1-1/4"-11-1/2	24.33	24.64	27.38	31.75	114.30	1-11/16"	Imperial
DAJCM128P-2424	1-7/8"-12	1-1/2"-11-1/2	27.51	25.40	33.32	38.10	123.95	50 mm	Metric
DAJCM128P-2424IN	1-7/8"-12	1-1/2"-11-1/2	27.51	25.40	33.32	38.10	123.95	2"	Imperial
DAJCM128P-3232	2-1/2"-12	2"-11-1/2	33.86	26.16	45.24	49.23	142.80	65 mm	Metric
DAJCM128P-3232IN	2-1/2"-12	2"-11-1/2	33.86	26.16	45.24	49.23	142.80	2-5/8"	Imperial



DAJCM128M-LL

Straight X-Long Connector JIC Male – NPTF Male 60°

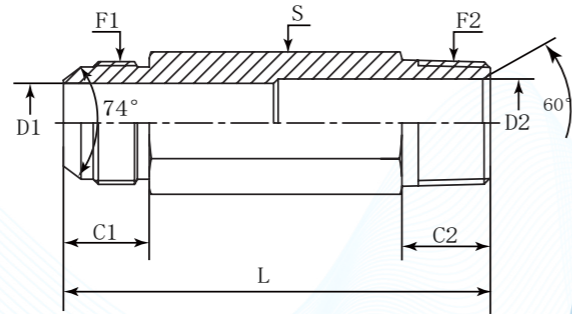
D	A	JC	M	1	28	M	LL
Company	Product Range	Thread Types	Connection Type	Adaptor Structure	Thread Types	Connection Type	Connector Feature
DME	Adaptor	JIC UNF	Male	Straight	NPTF	Male	X-Long

German Technology Equipment

SHIELD FLEX

New-Standard

- DME&JDE Code: **DAJCM128M-LL**
- Product Type: **Hydraulic adaptor**
- Standard: **JIC and SAE-ORB**
- Structure: **Straight**
- Connection Type: **Male x Male**
- Thread Types: **UNF x NPTF**



PART NUMBER	F1 (Thread)	F2 (Thread)	C1	C2	D1	D2	L	S	Hex
#	UNF	NPTF	mm	mm	mm	mm	mm	-	-
DAJCM128M-LL-0402	7/16"-20	1/8"-27	13.97	9.65	4.37	4.78	65.00	12 mm	Metric
DAJCM128M-LL-0404	7/16"-20	1/4"-18	13.97	14.22	4.37	7.14	82.60	14 mm	Metric
DAJCM128M-LL-0402IN	7/16"-20	1/8"-27	13.97	9.65	4.37	4.78	65.00	1/2"	Imperial
DAJCM128M-LL-0404IN	7/16"-20	1/4"-18	13.97	14.22	4.37	7.14	82.60	9/16"	Imperial
DAJCM128M-LL-0502	1/2"-20	1/8"-27	13.97	9.65	5.94	4.78	71.40	14 mm	Metric
DAJCM128M-LL-0502IN	1/2"-20	1/8"-27	13.97	9.65	5.94	4.78	71.40	9/16"	Imperial
DAJCM128M-LL-0602	9/16"-18	1/8"-27	14.12	9.65	7.54	4.78	78.00	17 mm	Metric
DAJCM128M-LL-0604	9/16"-18	1/4"-18	14.12	14.22	7.14	7.14	82.60	17 mm	Metric
DAJCM128M-LL-0606	9/16"-18	3/8"-18	14.12	14.22	7.54	10.31	99.60	19 mm	Metric
DAJCM128M-LL-0608	9/16"-18	1/2"-14	14.12	19.05	7.54	13.49	104.40	22 mm	Metric
DAJCM128M-LL-0602IN	9/16"-18	1/8"-27	14.12	9.65	7.54	4.78	78.00	5/8"	Imperial
DAJCM128M-LL-0604IN	9/16"-18	1/4"-18	14.12	14.22	7.14	7.14	82.60	5/8"	Imperial
DAJCM128M-LL-0606IN	9/16"-18	3/8"-18	14.12	14.22	7.54	10.31	99.60	3/4"	Imperial
DAJCM128M-LL-0608IN	9/16"-18	1/2"-14	14.12	19.05	7.54	13.49	104.40	7/8"	Imperial
DAJCM128M-LL-0806	3/4"-16	3/8"-18	16.69	14.22	9.93	9.93	101.60	19 mm	Metric
DAJCM128M-LL-0808	3/4"-16	1/2"-14	16.69	19.05	9.93	13.49	106.70	22 mm	Metric
DAJCM128M-LL-0806IN	3/4"-16	3/8"-18	16.69	14.22	9.93	9.93	101.60	13/16"	Imperial
DAJCM128M-LL-0808IN	3/4"-16	1/2"-14	16.69	19.05	9.93	13.49	106.70	7/8"	Imperial
DAJCM128M-LL-1008	7/8"-14	1/2"-14	19.25	19.05	12.29	13.49	111.10	24 mm	Metric
DAJCM128M-LL-1008IN	7/8"-14	1/2"-14	19.25	19.05	12.29	13.49	111.10	15/16"	Imperial
DAJCM128M-LL-1212	1-1/16"-12	3/4"-14	21.95	19.05	15.47	18.26	127.00	27 mm	Metric
DAJCM128M-LL-1212IN	1-1/16"-12	3/4"-14	21.95	19.05	15.47	18.26	127.00	1-1/8"	Imperial
DAJCM128M-LL-1612	1-5/16"-12	3/4"-14	23.14	19.05	21.44	18.26	141.22	36 mm	Metric
DAJCM128M-LL-1616	1-5/16"-12	1"-11-1/2	23.14	23.88	21.44	23.83	146.05	36 mm	Metric
DAJCM128M-LL-1612IN	1-5/16"-12	3/4"-14	23.14	19.05	21.44	18.26	141.22	1-3/8"	Imperial
DAJCM128M-LL-1616IN	1-5/16"-12	1"-11-1/2	23.14	23.88	21.44	23.83	146.05	1-3/8"	Imperial

Web: <https://www.dmejde.com>
E-mail: info@dmejde.com



DAJCM106Y

Long Connector JIC Male – BSPP Male + Retaining Ring +O Ring

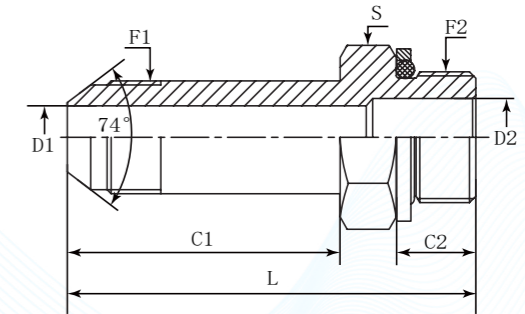
D	A	JC	M	1	06	Y
Company	Product Range	Thread Types	Connection Type	Adaptor Structure	Thread Types	Connection & Sealing Method
DME	Adaptor	JIC UNF	Male	Straight	BSPP	Male + Long O Ring + Retaining Ring

German Technology Equipment

SHIELD FLEX

New-Standard

- DME&JDE Code: **DAJCM106Y**
- Product Type: **Hydraulic adaptor**
- Standard: **JIC and SAE-ORB**
- Structure: **Straight**
- Connection Type: **Male x Male**
- Thread Types: **UNF x BSPP**
- Sealing Method: **O Ring + Retaining Ring**



PART NUMBER	F1 (Thread)	F2 (Thread)	C1	C2	D1	D2	L	S
#	UNF	BSPP	mm	mm	mm	mm	mm	-
DAJCM106Y-0402	7/16"-20	1/8"-28	35.00	7.60	4.37	4.37	51.30	14
DAJCM106Y-0404	7/16"-20	1/4"-19	35.00	11.20	4.37	7.50	56.00	19
DAJCM106Y-0502	1/2"-20	1/8"-28	36.80	7.60	5.94	4.40	52.90	17
DAJCM106Y-0504	1/2"-20	1/4"-19	36.80	11.20	5.94	7.50	56.50	19
DAJCM106Y-0506	1/2"-20	3/8"-19	36.80	11.20	5.94	9.90	56.50	22
DAJCM106Y-0604	9/16"-18	1/4"-19	39.00	11.20	7.50	7.50	59.00	19
DAJCM106Y-0606	9/16"-18	3/8"-19	39.00	11.20	7.54	7.54	59.50	22
DAJCM106Y-0608	9/16"-18	1/2"-14	39.00	14.50	7.54	12.30	63.30	27
DAJCM106Y-0804	3/4"-16	1/4"-19	48.00	11.20	9.93	7.50	66.70	22
DAJCM106Y-0806	3/4"-16	3/8"-19	48.00	11.20	9.90	9.90	69.00	22
DAJCM106Y-0808	3/4"-16	1/2"-14	48.00	14.50	9.93	9.93	72.00	27
DAJCM106Y-1006	7/8"-14	3/8"-19	53.10	11.20	12.29	9.90	75.70	27
DAJCM106Y-1008	7/8"-14	1/2"-14	53.10	14.50	12.29	12.29	77.50	27
DAJCM106Y-1012	7/8"-14	3/4"-14	53.10	14.50	12.29	15.50	79.00	36
DAJCM106Y-1208	1-1/16"-12	1/2"-14	63.50	14.50	15.47	12.30	91.10	32
DAJCM106Y-1212	1-1/16"-12	3/4"-14	63.50	14.50	15.47	15.47	91.00	36
DAJCM106Y-1216	1-1/16"-12	1"-11	63.50	18.60	15.47	21.50	94.50	41
DAJCM106Y-1612	1-5/16"-12	3/4"-14	72.10	14.50	21.44	15.50	101.70	41
DAJCM106Y-1616	1-5/16"-12	1"-11	72.10	18.60	21.44	21.44	103.00	41
DAJCM106Y-1620	1-5/16"-12	1-1/4"-11	72.10	18.60	21.44	27.50	104.60	50
DAJCM106Y-2016	1-5/8"-12	1"-11	88.10	18.60	27.38	21.50	122.60	48
DAJCM106Y-2020	1-5/8"-12	1-1/4"-11	88.10	18.60	27.38	27.38	122.00	50
DAJCM106Y-2420	1-7/8"-12	1-1/4"-11	98.60	18.60	33.32	27.50	134.80	55
DAJCM106Y-2424	1-7/8"-12	1-1/2"-11	98.60	18.60	33.00	33.00	134.80	55

Web: <https://www.dmejde.com>
E-mail: info@dmejde.com



DAJCM106J

Straight Long Connector JIC Male – BSPP Male +O Ring

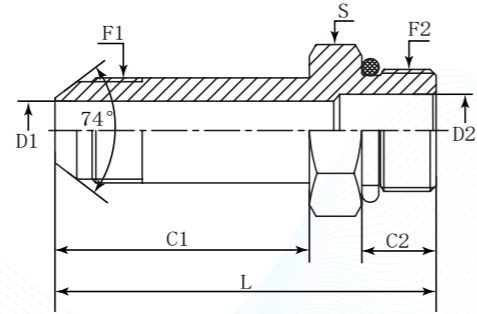
D	A	JC	M	1	06	J
Company	Product Range	Thread Types	Connection Type	Adaptor Structure	Thread Types	Connection & Sealing Method
DME	Adaptor	JIC UNF	Male	Straight	BSPP	Male + O Ring Long Connection

German Technology Equipment

SHIELD FLEX

New-Standard

- DME&JDE Code: **DAJCM106J**
- Product Type: **Hydraulic adaptor**
- Standard: **JIC and SAE-ORB**
- Structure: **Straight**
- Connection Type: **Male x Male**
- Thread Types: **UNF x BSPP**
- Sealing Method: **O Ring**



PART NUMBER	F1 (Thread)	F2 (Thread)	C1	C2	D1	D2	L	S
#	UNF	BSPP	mm	mm	mm	mm	mm	-
DAJCM106J-0404	7/16"-20	1/4"-19	35.00	11.20	4.37	7.50	56.00	19
DAJCM106J-0604	9/16"-18	1/4"-19	39.00	11.20	7.50	7.50	59.00	19
DAJCM106J-0606	9/16"-18	3/8"-19	39.00	11.20	7.54	7.54	59.50	22
DAJCM106J-0806	3/4"-16	3/8"-19	48.00	11.20	9.90	9.90	69.00	22
DAJCM106J-0808	3/4"-16	1/2"-14	48.00	14.50	9.93	9.93	72.00	27
DAJCM106J-1008	7/8"-14	1/2"-14	53.10	14.50	12.29	12.29	77.50	27
DAJCM106J-1212	1-1/16"-12	3/4"-14	63.50	14.50	15.47	15.47	91.00	36
DAJCM106J-1216	1-1/16"-12	1"-11	63.50	18.60	15.47	21.50	94.50	41
DAJCM106J-1616	1-5/16"-12	1"-11	72.10	18.60	21.44	21.44	103.00	41
DAJCM106J-2020	1-5/8"-12	1-1/4"-11	88.10	18.60	27.38	27.38	122.00	50

DAJCM125T

Straight Connector Bulkhead JIC Male – JIC Male

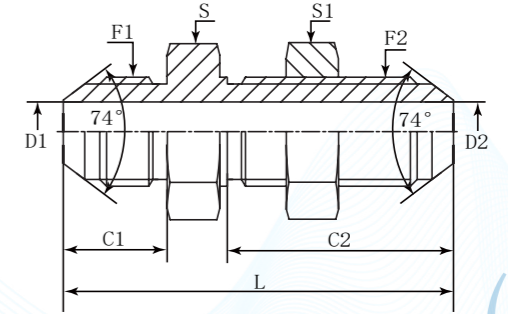
D	A	JC	M	1	25	T
Company	Product Range	Thread Types	Connection Type	Adaptor Structure	Thread Types	Other Features
DME	Adaptor	JIC UNF	Male	Straight	JIC	Bulkhead

German Technology Equipment

SHIELD FLEX

New-Standard

- DME&JDE Code: **DAJCM125T**
- Product Type: **Hydraulic adaptor**
- Standard: **JIC and SAE-ORB**
- Structure: **Straight**
- Connection Type: **Male x Male**
- Thread Types: **UNF x UNF**
- Other Features: **Bulkhead**



PART NUMBER	F1 (Thread)	F2 (Thread)	C1	C2	D1	D2	L	S	S1	Hex
#	UNF	UNF	mm	mm	mm	mm	mm	-	-	-
DAJCM125T-0303	3/8"-24	3/8"-24	12.17	28.20	3.18	3.18	48.26	17 mm	16 mm	Metric
DAJCM125T-0303IN	3/8"-24	3/8"-24	12.17	28.20	3.18	3.18	48.26	5/8"	5/8"	Imperial
DAJCM125T-0404	7/16"-20	7/16"-20	13.97	30.50	4.37	4.37	52.60	17 mm	17 mm	Metric
DAJCM125T-0406	7/16"-20	9/16"-18	13.97	32.51	4.37	7.54	55.12	22 mm	22 mm	Metric
DAJCM125T-0404IN	7/16"-20	7/16"-20	13.97	30.50	4.37	4.37	52.60	11/16"	11/16"	Imperial
DAJCM125T-0406IN	7/16"-20	9/16"-18	13.97	32.51	4.37	7.54	55.12	13/16"	13/16"	Imperial
DAJCM125T-0505	1/2"-20	1/2"-20	13.97	30.48	5.94	5.94	52.58	19 mm	19 mm	Metric
DAJCM125T-0505IN	1/2"-20	1/2"-20	13.97	30.48	5.94	5.94	52.58	3/4"	3/4"	Imperial
DAJCM125T-0604	9/16"-18	7/16"-20	14.12	30.50	7.54	4.37	53.30	22 mm	17 mm	Metric
DAJCM125T-0606	9/16"-18	9/16"-18	14.12	32.51	7.54	7.54	55.37	22 mm	22 mm	Metric
DAJCM125T-0604IN	9/16"-18	7/16"-20	14.12	30.50	7.54	4.37	53.30	13/16"	11/16"	Imperial
DAJCM125T-0606IN	9/16"-18	9/16"-18	14.12	32.51	7.54	7.54	55.37	13/16"	13/16"	Imperial
DAJCM125T-0808	3/4"-16	3/4"-16	16.69	36.58	9.93	9.93	61.98	24	24 mm	Metric
DAJCM125T-0808IN	3/4"-16	3/4"-16	16.69	36.58	9.93	9.93	61.98	1"	1"	Imperial
DAJCM125T-1008	7/8"-14	3/4"-16	19.30	38.00	9.90	9.90	65.00	27 mm	24 mm	Metric
DAJCM125T-1010	7/8"-14	7/8"-14	19.25	40.13	12.29	12.29	69.60	30 mm	30 mm	Metric
DAJCM125T-1008IN	7/8"-14	3/4"-16	19.30	38.00	9.90	9.90	65.00	1"	1"	Imperial
DAJCM125T-1010IN	7/8"-14	7/8"-14	19.25	40.13	12.29	12.29	69.60	1-1/8"	1-1/8"	Imperial
DAJCM125T-1212	1-1/16"-12	1-1/16"-12	21.95	44.45	15.47	15.47	78.49	36 mm	36 mm	Metric
DAJCM125T-1212IN	1-1/16"-12	1-1/16"-12	21.95	44.45	15.47	15.47	78.49	1-3/8"	1-3/8"	Imperial
DAJCM125T-1414	1-3/16"-12	1-3/16"-12	22.61	44.45	18.26	18.26	79.25	38 mm	38 mm	Metric
DAJCM125T-1414IN	1-3/16"-12	1-3/16"-12	22.61	44.45	18.26	18.26	79.25	1-1/2"	1-1/2"	Imperial
DAJCM125T-1612	1-5/16"-12	1-1/16"-12	23.14	44.45	21.44	15.47	79.76	41 mm	36 mm	Metric
DAJCM125T-1616	1-5/16"-12	1-5/16"-12	23.14	44.45	21.44	21.44	79.76	41 mm	41 mm	Metric
DAJCM125T-1612IN	1-5/16"-12	1-1/16"-12	23.14	44.45	21.44	15.47	79.76	1-5/8"	1-3/8"	Imperial
DAJCM125T-1616IN	1-5/16"-12	1-5/16"-12	23.14	44.45	21.44	21.44	79.76	1-5/8"	1-5/8"	Imperial
DAJCM125T-2020	1-5/8"-12	1-5/8"-12	24.30	45.70	27.38	27.38	84.07	50 mm	50 mm	Metric
DAJCM125T-2020IN	1-5/8"-12	1-5/8"-12	24.30	45.70	27.38	27.38	84.07	1-7/8"	1-7/8"	Imperial
DAJCM125T-2424	1-7/8"-12	1-7/8"-12	27.51	45.97	33.32	33.32	89.41	55 mm	55 mm	Metric
DAJCM125T-2424IN	1-7/8"-12	1-7/8"-12	27.51	45.97	33.32	33.32	89.41	2-1/8"	2-1/8"	Imperial
DAJCM125T-3232	2-1/2"-12	2-1/2"-12	33.86	53.09	45.24	45.24	106.68	70 mm	70 mm	Metric
DAJCM125T-3232IN	2-1/2"-12	2-1/2"-12	33.86	53.09	45.24	45.24	106.68	2-3/4"	2-3/4"	Imperial



DAJCT1305

Bulkhead Connector JIC Male Cone – SAE Male + O Ring

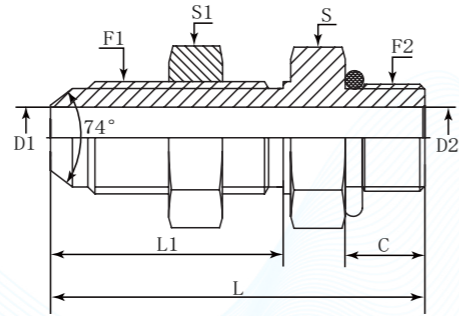
D	A	JC	T	1	30	5
Company	Product Range	Thread Types	Other Features	Adaptor Structure	Thread Types	Connection & Sealing Method
DME	Adaptor	JIC UNF	Bulkhead	Straight	SAE UNF	Male + O Ring

German Technology Equipment

SHIELD FLEX

New-Standard

- DME&JDE Code: **DAJCT1305**
- Product Type: **Hydraulic adaptor**
- Standard: **JIC and SAE-ORB**
- Structure: **Straight**
- Connection Type: **Male x Male**
- Thread Types: **UNF x UNF**
- Other Features: **Bulkhead**



PART NUMBER	F1 (Thread)	F2 (Thread)	C	D1	D2	L1	L	S	S1	Hex
#	UNF	UNF	mm	mm	mm	mm	mm	Inch	Inch	-
DAJCT1305-0404	7/16"-20	7/16"-20	9.14	4.37	4.37	30.50	50.00	17 mm	17 mm	Metric
DAJCT1305-0404IN	7/16"-20	7/16"-20	9.14	4.37	4.37	30.50	50.00	11/16"	11/16"	Imperial
DAJCT1305-0606	9/16"-18	9/16"-18	9.93	7.54	7.54	32.50	53.50	22 mm	22 mm	Metric
DAJCT1305-0606IN	9/16"-18	9/16"-18	9.93	7.54	7.54	32.50	53.50	13/16"	13/16"	Imperial
DAJCT1305-0808	3/4"-16	3/4"-16	11.13	9.93	9.93	36.60	59.70	27 mm	27 mm	Metric
DAJCT1305-0812	3/4"-16	1-1/16"-12	15.09	9.93	15.47	36.58	64.80	36 mm	27 mm	Metric
DAJCT1305-0808IN	3/4"-16	3/4"-16	11.13	9.93	9.93	36.60	59.70	1"	1"	Imperial
DAJCT1305-0812IN	3/4"-16	1-1/16"-12	15.09	9.93	15.47	36.58	64.80	1-3/8"	1"	Imperial
DAJCT1305-1010	7/8"-14	7/8"-14	12.70	12.29	12.29	40.10	66.90	27 mm	27 mm	Metric
DAJCT1305-1010IN	7/8"-14	7/8"-14	12.70	12.29	12.29	40.10	66.90	1-1/8"	1-1/8"	Imperial
DAJCT1305-1212	1-1/16"-12	1-1/16"-12	15.09	15.47	15.47	44.40	74.90	36 mm	36 mm	Metric
DAJCT1305-1212IN	1-1/16"-12	1-1/16"-12	15.09	15.47	15.47	44.40	74.90	1-3/8"	1-3/8"	Imperial
DAJCT1305-1616	1-5/16"-12	1-5/16"-12	15.09	21.44	21.44	44.40	75.80	41 mm	41 mm	Metric
DAJCT1305-1616IN	1-5/16"-12	1-5/16"-12	15.09	21.44	21.44	44.40	75.80	1-5/8"	1-5/8"	Imperial
DAJCT1305-2020	1-5/8"-12	1-5/8"-12	15.09	27.38	27.38	45.70	76.50	50 mm	50 mm	Metric
DAJCT1305-2020IN	1-5/8"-12	1-5/8"-12	15.09	27.38	27.38	45.70	76.50	1-7/8"	1-7/8"	Imperial

DAJCT128M

Straight Connector Bulkhead JIC Male – NPTF Male 60°

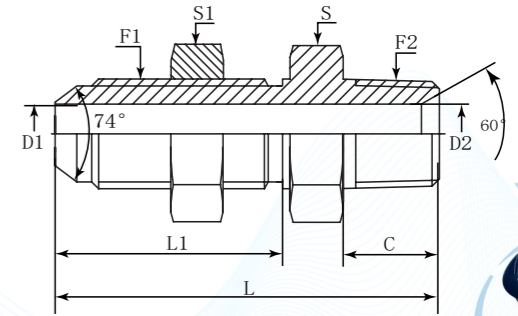
D	A	JC	T	1	28	M
Company	Product Range	Thread Types	Other Features	Adaptor Structure	Thread Types	Connection Type
DME	Adaptor	JIC UNF	Bulkhead	Straight	NPTF	Male

German Technology Equipment

SHIELD FLEX

New-Standard

- DME&JDE Code: **DAJCT128M**
- Product Type: **Hydraulic adaptor**
- Standard: **JIC and SAE-ORB**
- Structure: **Straight**
- Connection Type: **Male x Male**
- Thread Types: **UNF x NPTF 60°**
- Other Features: **Bulkhead**



PART NUMBER	F1 (Thread)	F2 (Thread)	C	D1	D2	L1	L	S	S1	Hex
#	UNF	NPTF	mm	mm	mm	mm	mm	-	-	-
DAJCT128M-0402	7/16"-20	1/8"-27	9.65	4.37	4.37	30.48	46.70	17 mm	17 mm	Metric
DAJCT128M-0404	7/16"-20	1/4"-18	14.22	4.37	7.14	30.48	52.80	17 mm	17 mm	Metric
DAJCT128M-0406	7/16"-20	3/8"-18	14.22	4.37	10.31	30.48	53.58	19 mm	17 mm	Metric
DAJCT128M-0402IN	7/16"-20	1/8"-27	9.65	4.37	4.37	30.48	46.70	11/16"	11/16"	Imperial
DAJCT128M-0404IN	7/16"-20	1/4"-18	14.22	4.37	7.14	30.48	52.80	11/16"	11/16"	Imperial
DAJCT128M-0406IN	7/16"-20	3/8"-18	14.22	4.37	10.31	30.48	53.58	3/4"	11/16"	Imperial
DAJCT128M-0604	9/16"-18	1/4"-18	14.22	7.14	7.14	32.51	55.60	22 mm	22 mm	Metric
DAJCT128M-0606	9/16"-18	3/8"-18	14.22	7.54	10.31	32.51	55.60	22 mm	22 mm	Metric
DAJCT128M-0608	9/16"-18	1/2"-14	19.05	7.54	13.49	32.51	61.20	27 mm	22 mm	Metric
DAJCT128M-0604IN	9/16"-18	1/4"-18	14.22	7.14	7.14	32.51	55.60	13/16"	13/16"	Imperial
DAJCT128M-0606IN	9/16"-18	3/8"-18	14.22	7.54	10.31	32.51	55.60	13/16"	13/16"	Imperial
DAJCT128M-0608IN	9/16"-18	1/2"-14	19.05	7.54	13.49	32.51	61.20	1-1/8"	13/16"	Imperial
DAJCT128M-0806	3/4"-16	3/8"-18	14.22	9.93	9.93	36.58	60.50	27 mm	24 mm	Metric
DAJCT128M-0808	3/4"-16	1/2"-14	19.05	9.93	13.49	36.58	65.50	27 mm	24 mm	Metric
DAJCT128M-0812	3/4"-16	3/4"-14	19.05	9.93	18.26	36.58	67.90	32 mm	24 mm	Metric
DAJCT128M-0806IN	3/4"-16	3/8"-18	14.22	9.93	9.93	36.58	60.50	1-1/8"	1-1/8"	Imperial
DAJCT128M-0808IN	3/4"-16	1/2"-14	19.05	9.93	13.49	36.58	65.50	1-1/8"	1-1/8"	Imperial
DAJCT128M-0812IN	3/4"-16	3/4"-14	19.05	9.93	18.26	36.58	67.90	1-1/4"	1-1/8"	Imperial
DAJCT128M-1008	7/8"-14	1/2"-14	19.05	12.29	12.29	40.10	71.12	32 mm	30 mm	Metric
DAJCT128M-1008IN	7/8"-14	1/2"-14	19.05	12.29	12.29	40.10	71.12	1-1/4"	1-1/4"	Imperial
DAJCT128M-1208	1-1/16"-12	1/2"-14	19.05	15.47	13.49	44.45	74.20	36 mm	36 mm	Metric
DAJCT128M-1212	1-1/16"-12	3/4"-14	19.05	15.47	18.26	44.45	74.20	36 mm	36 mm	Metric
DAJCT128M-1208IN	1-1/16"-12	1/2"-14	19.05	15.47	13.49	44.45	74.20	1-3/8"	1-3/8"	Imperial
DAJCT128M-1212IN	1-1/16"-12	3/4"-14	19.05	15.47	18.26	44.45	74.20	1-3/8"	1-3/8"	Imperial
DAJCT128M-1612	1-5/16"-12	3/4"-14	19.05	21.44	18.26	39.62	73.70	41 mm	41 mm	Metric
DAJCT128M-1616	1-5/16"-12	1"-11-1/2	23.88	21.44	21.44	39.62	78.50	41 mm	41 mm	Metric
DAJCT128M-1612IN	1-5/16"-12	3/4"-14	19.05	21.44	18.26	39.62	73.70	1-1/2"	1-1/2"	Imperial
DAJCT128M-1616IN	1-5/16"-12	1"-11-1/2	23.88	21.44	21.44	39.62	78.50	1-1/2"	1-1/2"	Imperial
DAJCT128M-2020	1-5/8"-12	1-1/4"-11-1/2	24.64	27.38	31.75	45.70	82.60	46 mm	50 mm	Metric
DAJCT128M-2020IN	1-5/8"-12	1-1/4"-11-1/2	24.64	27.38	31.75	45.70	82.60	1-11/16"	1-11/16"	Imperial
DAJCT128M-2424	1-7/8"-12	1-1/2"-11-1/2	25.40	33.32	38.10	45.97	87.50	55 mm	55 mm	Metric
DAJCT128M-2424IN	1-7/8"-12	1-1/2"-11-1/2	25.40	33.32	38.10	45.97	87.50	2-1/8"	2-1/8"	Imperial
DAJCT128M-3232	2-1/2"-12	2"-11-1/2	26.16	45.24	49.23	53.09	99.00	70 mm	70 mm	Metric
DAJCT128M-3232IN	2-1/2"-12	2"-11-1/2	26.16	45.24	49.23	53.09	99.00	2-3/4"	2-3/4"	Imperial

Certificate:



DAJCT105M

Straight Connector Bulkhead JIC Male Cone – BSPP Male 60°

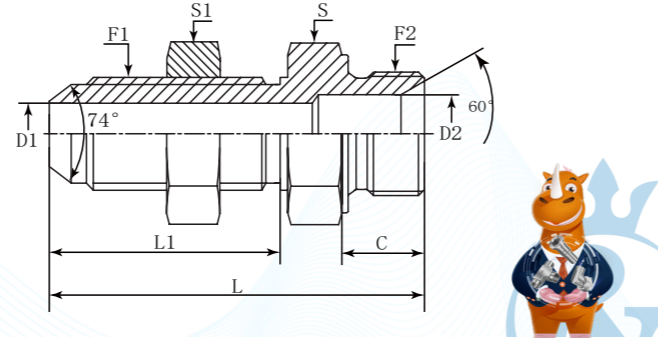
D	A	JC	T	1	05	M
Company	Product Range	Thread Types	Other Features	Adaptor Structure	Thread Types	Connection Type
DME	Adaptor	JIC UNF	Bulkhead	Straight	BSPP	Male

German Technology Equipment

SHIELD FLEX

New-Standard

- DME&JDE Code:** DAJCT105M
- Product Type:** Hydraulic adaptor
- Standard:** JIC and SAE-ORB
- Structure:** Straight
- Connection Type:** Male x Male
- Thread Types:** UNF x BSPP 60°
- Other Features:** Bulkhead



PART NUMBER	F1 (Thread)	F2 (Thread)	C	D1	D2	L1	L	S	S1
#	UNF	BSPP	mm	mm	mm	mm	mm	Inch	Inch
DAJCT105M-0404	7/16"-20	1/4"-19	11.00	4.37	4.37	30.50	50.50	19	17.46
DAJCT105M-0406	7/16"-20	3/8"-19	12.00	4.37	7.90	30.50	53.00	22	17.46
DAJCT105M-0606	9/16"-18	3/8"-19	12.00	7.54	7.54	32.51	54.00	22	20.64
DAJCT105M-0608	9/16"-18	1/2"-14	14.00	7.54	11.10	32.51	58.00	27	20.64
DAJCT105M-0808	3/4"-16	1/2"-14	14.00	9.93	9.93	36.58	62.50	27	25.4
DAJCT105M-1008	7/8"-14	1/2"-14	14.00	11.10	11.10	40.13	65.50	28.58	28.5
DAJCT105M-1212	1-1/16"-12	3/4"-14	16.00	15.47	15.47	44.45	71.50	32	34.9
DAJCT105M-1616	1-5/16"-12	1"-11	19.00	21.44	21.44	44.45	76.50	41	41

DAJCLN

JIC Bulkhead Nut

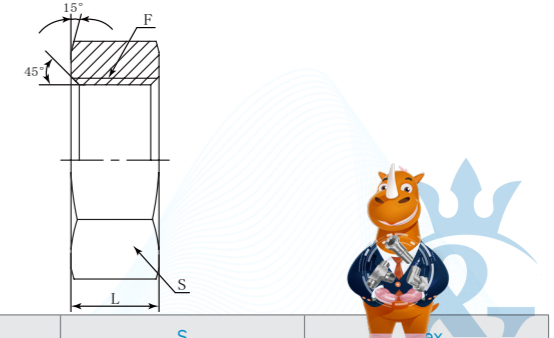
D	A	JC	LN
Company	Product Range	Thread Types	Other Features
DME	Adaptor	JIC UNF	Bulkhead Nut

German Technology Equipment

SHIELD FLEX

New-Standard

- DME&JDE Code:** DAJCLN
- Product Type:** Hydraulic adaptor
- Standard:** JIC and SAE-ORB
- Structure:** Straight
- Thread Types:** UNF Bulkhead Nut
- Other Features:** Bulkhead



PART NUMBER	F (Thread)	L	S	
#	UNF	mm	-	-
DAJCLN-0400	7/16"-20	7.10	17 mm	Metric
DAJCLN-0400IN	7/16"-20	7.10	11/16"	Imperial
DAJCLN-0500	1/2"-20	7.11	19 mm	Metric
DAJCLN-0500IN	1/2"-20	7.11	3/4"	Imperial
DAJCLN-0600	9/16"-18	6.86	22 mm	Metric
DAJCLN-0600IN	9/16"-18	6.86	13/16"	Imperial
DAJCLN-0800	3/4"-16	7.90	24 mm	Metric
DAJCLN-0800IN	3/4"-16	7.90	15/16"	Imperial
DAJCLN-1000	7/8"-14	9.14	30 mm	Metric
DAJCLN-1000IN	7/8"-14	9.14	1-1/8"	Imperial
DAJCLN-1200	1-1/16"-12	10.50	36 mm	Metric
DAJCLN-1200IN	1-1/16"-12	10.50	1-3/8"	Imperial
DAJCLN-1400	1-3/16"-12	10.40	36 mm	Metric
DAJCLN-1400IN	1-3/16"-12	10.40	1-3/8"	Imperial
DAJCLN-1600	1-5/16"-12	10.40	41 mm	Metric
DAJCLN-1600IN	1-5/16"-12	10.40	1-1/2"	Imperial
DAJCLN-2000	1-5/8"-12	10.40	50 mm	Metric
DAJCLN-2000IN	1-5/8"-12	10.40	2"	Imperial
DAJCLN-2400	1-7/8"-12	10.50	55 mm	Metric
DAJCLN-2400IN	1-7/8"-12	10.50	2-1/8"	Imperial
DAJCLN-3200	2-1/2"-12	10.40	70 mm	Metric
DAJCLN-3200IN	1-1/16"-17	10.40	2-3/4"	Imperial

MJ-BJM

Straight Connector JIC Male – Banjo UNF

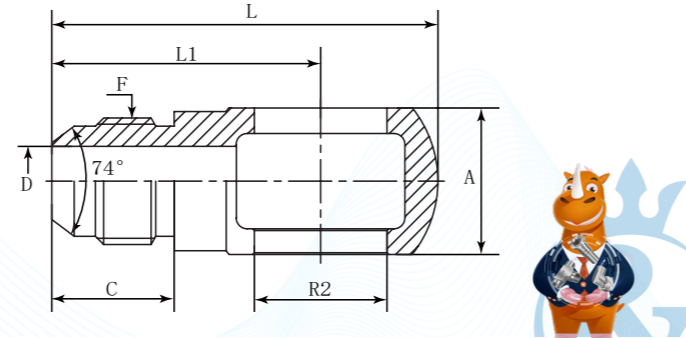
M	J	BJ	M
Company	Thread Types	Other Features	Standard
DME	JIC UNF	Banjo	Metric

German Technology Equipment

SHIELD FLEX

New-Standard

- DME&JDE Code: MJ-BJM
- Product Type: Hydraulic adaptor
- Hose Fitting Type: JIC and SAE-ORB
- Structure: Straight
- Thread Types: UNF
- Other Features: Banjo



PART NUMBER	F (Thread)	A	C	D	R2	L1	L
#	UNF	mm	mm	mm	mm	mm	mm
MJ-BJM-0408	7/16"-20	9.20	13.97	4.37	8.10	27.00	34.50
MJ-BJM-0410	7/16"-20	10.20	13.97	4.37	10.10	26.00	34.50
MJ-BJM-0412	7/16"-20	12.10	13.97	4.37	12.10	30.00	40.00
MJ-BJM-0414	7/16"-20	14.00	13.97	4.37	14.10	30.50	42.00
MJ-BJM-0416	7/16"-20	16.00	13.97	4.37	16.10	30.00	44.00
MJ-BJM-0418	7/16"-20	20.00	13.97	4.37	18.10	33.50	49.50
MJ-BJM-0612	9/16"-18	12.00	14.12	7.54	12.10	29.60	39.60
MJ-BJM-0614	9/16"-18	14.00	14.12	7.54	14.10	30.10	42.10
MJ-BJM-0616	9/16"-18	16.00	14.12	7.54	16.10	30.10	44.10
MJ-BJM-0618	9/16"-18	20.00	14.12	7.54	18.10	33.60	49.60
MJ-BJM-0620	9/16"-18	22.00	14.12	7.54	20.00	36.10	54.10
MJ-BJM-0622	9/16"-18	25.00	14.12	7.54	22.10	37.70	57.20
MJ-BJM-0814	3/4"-16	14.00	16.69	7.54	14.10	32.70	45.00
MJ-BJM-0816	3/4"-16	16.00	16.69	7.54	16.10	32.70	46.70
MJ-BJM-0818	3/4"-16	20.00	16.69	9.93	18.10	36.20	52.20
MJ-BJM-0820	3/4"-16	22.00	16.69	9.93	20.00	38.70	56.70
MJ-BJM-0822	3/4"-16	25.00	16.69	9.93	22.10	40.30	59.80
MJ-BJM-1022	7/8"-14	25.00	19.25	12.29	22.10	42.80	62.30
MJ-BJM-1024	7/8"-14	24.00	19.25	12.29	24.00	46.80	66.80
MJ-BJM-1226	1-1/16"-12	30.00	21.95	15.47	26.10	48.50	71.50
MJ-BJM-1230	1-1/16"-12	36.00	21.95	15.47	30.20	52.00	79.00
MJ-BJM-1630	1-1/16"-12	36.00	23.14	21.44	30.20	53.10	80.10

DAJCM425M

45° Elbow JIC – JIC Male

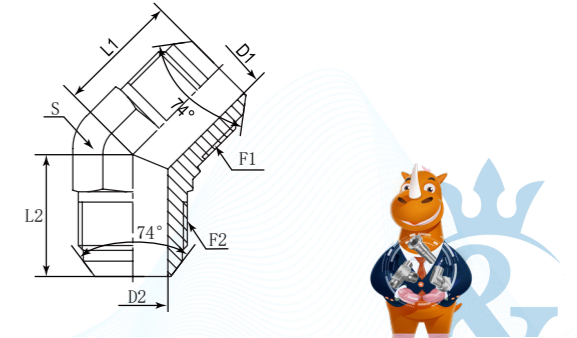
D	A	JC	M	4	25	M
Company	Product Range	Thread Types	Connection Type	Adaptor Structure	Thread Types	Connection Type
DME	Adaptor	JIC UNF	Male	45° Elbow	JIC	Male

German Technology Equipment

SHIELD FLEX

New-Standard

- DME&JDE Code: DAJCM425M
- Product Type: Hydraulic adaptor
- Standard: JIC and SAE-ORB
- Structure: 45° Elbow
- Connection Type: Male x Male
- Thread Types: UNF x UNF



PART NUMBER	F1 (Thread)	F2 (Thread)	D1	D2	L1	L2	S	Hex
#	UNF	UNF	mm	mm	mm	mm	-	-
DAJCM425M-0303	3/8"-24	3/8"-24	3.18	3.18	17.50	17.50	11 mm	Metric
DAJCM425M-0303IN	3/8"-24	3/8"-24	3.18	3.18	17.50	17.50	7/16"	Imperial
DAJCM425M-0404	7/16"-20	7/16"-20	4.37	4.37	18.30	18.30	11 mm	Metric
DAJCM425M-0404IN	7/16"-20	7/16"-20	4.37	4.37	18.30	18.30	7/16"	Imperial
DAJCM425M-0505	1/2"-20	1/2"-20	5.94	5.94	19.60	19.60	14 mm	Metric
DAJCM425M-0505IN	1/2"-20	1/2"-20	5.94	5.94	19.60	19.60	9/16"	Imperial
DAJCM425M-0604	9/16"-18	7/16"-20	7.54	4.37	21.10	19.60	14 mm	Metric
DAJCM425M-0606	9/16"-18	9/16"-18	7.54	7.54	21.10	21.10	14 mm	Metric
DAJCM425M-0604IN	9/16"-18	7/16"-20	7.54	4.37	21.10	19.60	9/16"	Imperial
DAJCM425M-0606IN	9/16"-18	9/16"-18	7.54	7.54	21.10	21.10	9/16"	Imperial
DAJCM425M-0806	3/4"-16	9/16"-18	9.93	7.54	24.89	23.08	19 mm	Metric
DAJCM425M-0808	3/4"-16	3/4"-16	9.93	9.93	24.90	24.90	19 mm	Metric
DAJCM425M-0806IN	3/4"-16	9/16"-18	9.93	7.54	24.89	23.08	3/4"	Imperial
DAJCM425M-0808IN	3/4"-16	3/4"-16	9.93	9.93	24.90	24.90	3/4"	Imperial
DAJCM425M-1008	7/8"-14	3/4"-16	12.29	9.93	28.19	26.89	22 mm	Metric
DAJCM425M-1010	7/8"-14	7/8"-14	12.29	12.29	28.20	28.20	22 mm	Metric
DAJCM425M-1008IN	7/8"-14	3/4"-16	12.29	9.93	28.19	26.89	7/8"	Imperial
DAJCM425M-1010IN	7/8"-14	7/8"-14	12.29	12.29	28.20	28.20	7/8"	Imperial
DAJCM425M-1212	1-1/16"-12	1-1/16"-12	15.47	15.47	32.50	32.50	27 mm	Metric
DAJCM425M-1212IN	1-1/16"-12	1-1/16"-12	15.47	15.47	32.50	32.50	1-1/8"	Imperial
DAJCM425M-1616	1-5/16"-12	1-5/16"-12	21.44	21.44	37.34	37.34	33 mm	Metric
DAJCM425M-1616IN	1-5/16"-12	1-5/16"-12	21.44	21.44	37.34	37.34	1-5/16"	Imperial
DAJCM425M-2020	1-5/8"-12	1-5/8"-12	27.38	27.38	40.00	40.00	41mm	Metric
DAJCM425M-2020IN	1-5/8"-12	1-5/8"-12	27.38	27.38	40.00	40.00	1-1/2"	Imperial
DAJCM425M-2424	1-7/8"-12	1-7/8"-12	33.32	33.32	45.20	45.20	48mm	Metric
DAJCM425M-2424IN	1-7/8"-12	1-7/8"-12	33.32	33.32	45.20	45.20	1-7/8"	Imperial

DAJCM4305

45° Adjustable Elbow JIC Male – SAE Male + O Ring

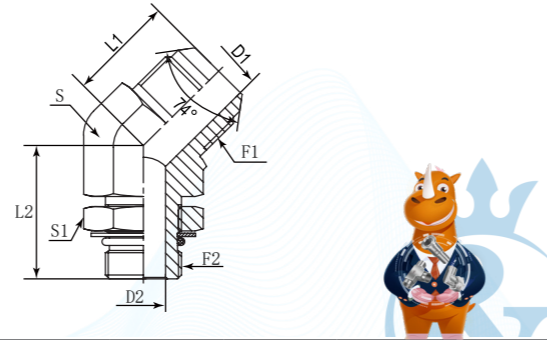
D	A	JC	M	4	30	5
Company	Product Range	Thread Types	Connection Type	Adaptor Structure	Thread Types	Connection & Sealing Method
DME	Adaptor	JIC UNF	Male	45° Elbow	SAE UNF	Male + O Ring

German Technology Equipment

SHIELD FLEX

New-Standard

- DME&JDE Code:** DAJCM4305
- Product Type:** Hydraulic adaptor
- Standard:** JIC and SAE-ORB
- Structure:** 45° Elbow
- Connection Type:** Adjustable Male x Male
- Thread Types:** UNF x UNF
- Sealing Method:** O Ring



PART NUMBER	F1 (Thread)	F2 (Thread)	L1	L2	D1	D2	S	S1	Hex
#	UNF	UNF	mm	mm	mm	mm	-	-	-
DAJCM4305-0202	5/16"-24	5/16"-24	17.5	22.4	1.57	1.57	11 mm	11 mm	Metric
DAJCM4305-0202IN	5/16"-24	5/16"-24	17.5	22.4	1.57	1.57	7/16"	7/16"	Imperial
DAJCM4305-0303	3/8"-24	3/8"-24	17.50	22.40	3.18	3.18	11 mm	12 mm	Metric
DAJCM4305-0303IN	3/8"-24	3/8"-24	17.50	22.40	3.18	3.18	7/16"	1/2"	Imperial
DAJCM4305-0404	7/16"-20	7/16"-20	18.30	26.70	4.37	4.37	11 mm	14 mm	Metric
DAJCM4305-0405	7/16"-20	1/2"-20	19.60	26.70	4.37	5.94	14 mm	17 mm	Metric
DAJCM4305-0406	7/16"-20	9/16"-18	20.80	29.00	4.37	7.54	14 mm	19 mm	Metric
DAJCM4305-0408	7/16"-20	3/4"-16	21.60	33.00	4.37	9.93	19 mm	22 mm	Metric
DAJCM4305-0404IN	7/16"-20	7/16"-20	18.30	26.70	4.37	4.37	7/16"	9/16"	Imperial
DAJCM4305-0405IN	7/16"-20	1/2"-20	19.60	26.70	4.37	5.94	9/16"	5/8"	Imperial
DAJCM4305-0406IN	7/16"-20	9/16"-18	20.80	29.00	4.37	7.54	9/16"	11/16"	Imperial
DAJCM4305-0408IN	7/16"-20	3/4"-16	21.60	33.00	4.37	9.93	3/4"	7/8"	Imperial
DAJCM4305-0504	1/2"-20	7/16"-20	19.60	26.70	5.94	4.37	14 mm	14 mm	Metric
DAJCM4305-0505	1/2"-20	1/2"-20	19.60	26.70	5.94	5.94	14 mm	17 mm	Metric
DAJCM4305-0506	1/2"-20	9/16"-18	20.80	29.00	5.94	7.54	14 mm	19 mm	Metric
DAJCM4305-0508	1/2"-20	3/4"-16	22.10	33.00	5.94	9.93	19 mm	22 mm	Metric
DAJCM4305-0504IN	1/2"-20	7/16"-20	19.60	26.70	5.94	4.37	9/16"	9/16"	Imperial
DAJCM4305-0505IN	1/2"-20	1/2"-20	19.60	26.70	5.94	5.94	9/16"	5/8"	Imperial
DAJCM4305-0506IN	1/2"-20	9/16"-18	20.80	29.00	5.94	7.54	9/16"	11/16"	Imperial
DAJCM4305-0508IN	1/2"-20	3/4"-16	22.10	33.00	5.94	9.93	3/4"	7/8"	Imperial
DAJCM4305-0604	9/16"-18	7/16"-20	21.10	27.40	7.54	4.37	14 mm	14 mm	Metric
DAJCM4305-0605	9/16"-18	1/2"-20	21.10	27.40	7.54	5.94	14 mm	17 mm	Metric
DAJCM4305-0606	9/16"-18	9/16"-18	21.10	29.00	7.54	7.54	14 mm	19 mm	Metric
DAJCM4305-0608	9/16"-18	3/4"-16	22.10	33.00	7.54	9.93	19 mm	22 mm	Metric
DAJCM4305-0610	9/16"-18	7/8"-14	22.40	38.60	7.54	12.29	22 mm	27 mm	Metric
DAJCM4305-0612	9/16"-18	1-1/16"-12	23.62	43.94	7.54	15.47	27 mm	32 mm	Metric
DAJCM4305-0604IN	9/16"-18	7/16"-20	21.10	27.40	7.54	4.37	9/16"	9/16"	Imperial

Web: <https://www.dmejde.com>
E-mail: info@dmejde.com



DAJCM4305-0605IN	9/16"-18	1/2"-20	21.10	27.40	7.54	5.94	9/16"	5/8"	Imperial
DAJCM4305-0606IN	9/16"-18	9/16"-18	21.10	29.00	7.54	7.54	9/16"	11/16"	Imperial
DAJCM4305-0608IN	9/16"-18	3/4"-16	22.10	33.00	7.54	9.93	3/4"	7/8"	Imperial
DAJCM4305-0610IN	9/16"-18	7/8"-14	22.40	38.60	7.54	12.29	7/8"	1"	Imperial
DAJCM4305-0612IN	9/16"-18	1-1/16"-12	23.62	43.94	7.54	15.47	1-1/16"	1-1/4"	Imperial
DAJCM4305-0804	3/4"-16	7/16"-20	24.90	28.20	9.93	4.37	19 mm	14 mm	Metric
DAJCM4305-0806	3/4"-16	9/16"-18	24.90	29.70	9.93	7.54	19 mm	19 mm	Metric
DAJCM4305-0808	3/4"-16	3/4"-16	24.90	33.00	9.93	9.93	19 mm	22 mm	Metric
DAJCM4305-0810	3/4"-16	7/8"-14	25.20	38.60	9.93	12.29	22 mm	27 mm	Metric
DAJCM4305-0812	3/4"-16	1-1/16"-12	26.40	43.90	9.93	15.47	27 mm	32 mm	Metric
DAJCM4305-0804IN	3/4"-16	7/16"-20	24.90	28.20	9.93	4.37	3/4"	9/16"	Imperial
DAJCM4305-0806IN	3/4"-16	9/16"-18	24.90	29.70	9.93	7.54	3/4"	11/16"	Imperial
DAJCM4305-0808IN	3/4"-16	3/4"-16	24.90	33.00	9.93	9.93	3/4"	7/8"	Imperial
DAJCM4305-0810IN	3/4"-16	7/8"-14	25.20	38.60	9.93	12.29	7/8"	1"	Imperial
DAJCM4305-0812IN	3/4"-16	1-1/16"-12	26.40	43.90	9.93	15.47	1-1/16"	1-1/4"	Imperial
DAJCM4305-1008	7/8"-14	3/4"-16	28.20	34.50	12.29	9.93	22 mm	22 mm	Metric
DAJCM4305-1010	7/8"-14	7/8"-14	28.20	38.60	12.29	12.29	22 mm	27 mm	Metric
DAJCM4305-1012	7/8"-14	1-1/16"-12	29.50	43.90	12.29	15.47	27 mm	32 mm	Metric
DAJCM4305-1008IN	7/8"-14	3/4"-16	28.20	34.50	12.29	9.93	7/8"	7/8"	Imperial
DAJCM4305-1010IN	7/8"-14	7/8"-14	28.20	38.60	12.29	12.29	7/8"	1"	Imperial
DAJCM4305-1012IN	7/8"-14	1-1/16"-12	29.50	43.90	12.29	15.47	1-1/16"	1-1/4"	Imperial
DAJCM4305-1208	1-1/16"-12	3/4"-16	32.50	35.80	15.47	9.93	27 mm	22 mm	Metric
DAJCM4305-1210	1-1/16"-12	7/8"-14	32.50	39.90	15.47	12.29	27 mm	27 mm	Metric
DAJCM4305-1212	1-1/16"-12	1-1/16"-12	32.50	43.90	15.47	15.47	27 mm	32 mm	Metric
DAJCM4305-1216	1-1/16"-12	1-5/16"-12	36.10	47.20	15.47	21.44	33 mm	41 mm	Metric
DAJCM4305-1208IN	1-1/16"-12	3/4"-16	32.50	35.80	15.47	9.93	1-1/16"	7/8"	Imperial
DAJCM4305-1210IN	1-1/16"-12	7/8"-14	32.50	39.90	15.47	12.29	1-1/16"	1"	Imperial
DAJCM4305-1212IN	1-1/16"-12	1-1/16"-12	32.50	43.90	15.47	15.47	1-1/16"	1-1/4"	Imperial
DAJCM4305-1216IN	1-1/16"-12	1-5/16"-12	36.10	47.20	15.47	21.44	1-5/16"	1-1/2"	Imperial
DAJCM4305-1414	1-3/16"-12	1-3/16"-12	36.83	47.24	18.26	18.26	33 mm	36 mm	Metric
DAJCM4305-1414IN	1-3/16"-12	1-3/16"-12	36.83	47.24	18.26	18.26	1-5/16"	1-3/8"	Imperial
DAJCM4305-1612	1-5/16"-12	1-1/16"-12	37.30	47.20	21.44	15.47	33 mm	32 mm	Metric
DAJCM4305-1614	1-5/16"-12	1-3/16"-12	37.30	47.20	21.44	18.26	33 mm	36 mm	Metric
DAJCM4305-1616	1-5/16"-12	1-5/16"-12	37.30	47.20	21.44	21.44	33 mm	41 mm	Metric
DAJCM4305-1620	1-5/16"-12	1-5/8"-12	39.10	48.50	21.44	27.38	41 mm	50 mm	Metric
DAJCM4305-1612IN	1-5/16"-12	1-1/16"-12	37.30	47.20	21.44	15.47	1-5/16"	1-1/4"	Imperial
DAJCM4305-1614IN	1-5/16"-12	1-3/16"-12	37.30	47.20	21.44	18.26	1-5/16"	1-3/8"	Imperial
DAJCM4305-1616IN	1-5/16"-12	1-5/16"-12	37.30	47.20	21.44	21.44	1-5/16"	1-1/2"	Imperial
DAJCM4305-1620IN	1-5/16"-12	1-5/8"-12	39.10	48.50	21.44	27.38	1-5/8"	1-7/8"	Imperial
DAJCM4305-2016	1-5/8"-12	1-5/16"-12	40.40	48.50	27.38	21.44	41 mm	41 mm	Metric
DAJCM4305-2020	1-5/8"-12	1-5/8"-12	40.30	48.50	27.38	27.38	41 mm	50 mm	Metric
DAJCM4305-2024	1-5/8"-12	1-7/8"-12	41.90	48.50	27.38	33.32	48 mm	55 mm	Metric
DAJCM4305-2016IN	1-5/8"-12	1-5/16"-12	40.40	48.50	27.38	21.44	1-5/8"	1-1/2"	Imperial
DAJCM4305-2020IN	1-5/8"-12	1-5/8"-12	40.30	48.50	27.38	27.38	1-5/8"	1-7/8"	Imperial
DAJCM4305-2024IN	1-5/8"-12	1-7/8"-12	41.90	48.50	27.38	33.32	1-7/8"	2-1/8"	Imperial
DAJCM4305-2420	1-7/8"-12	1-5/8"-12	45.20	48.50	33.32	27.38	48 mm	50 mm	Metric
DAJCM4305-2424	1-7/8"-12	1-7/8"-12	45.20	48.50	33.30	33.30	48 mm	55 mm	Metric
DAJCM4305-2420IN	1-7/8"-12	1-5/8"-12	45.20	48.50	33.32	27.38	1-7/8"	1-7/8"	Imperial
DAJCM4305-2424IN	1-7/8"-12	1-7/8"-12	45.20	48.50	33.30	33.30	1-7/8"	2-1/8"	Imperial
DAJCM4305-3232	2-1/2"-12	2-1/2"-12	56.40	50.40	45.24	45.24	65 mm	70 mm	Metric
DAJCM4305-3232IN	2-1/2"-12	2-1/2"-12	56.40	50.40	45.24	45.24	2-1/2"	2-3/4"	Imperial

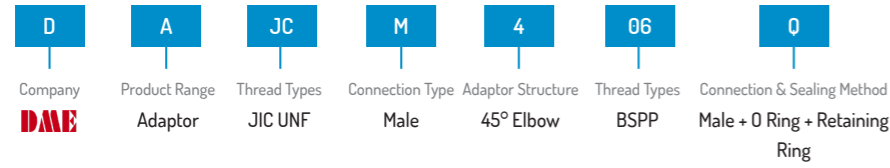


Web: <https://www.dmejde.com>
E-mail: info@dmejde.com

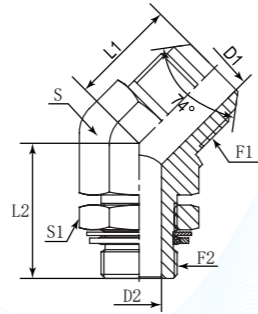


DAJCM406Q

45° Adjustable Elbow JIC Male - BSPP Male + O Ring + Retaining Ring



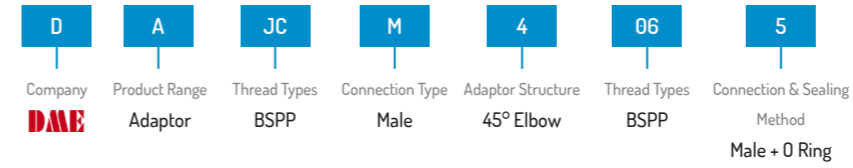
- DME&JDE Code:** DAJCM406Q
- Product Type:** Hydraulic adaptor
- Standard:** JIC and SAE-ORB
- Structure:** 45° Elbow
- Connection Type:** Adjustable Male × Male
- Thread Types:** UNF × BSPP
- Sealing Method:** O Ring + Retaining Ring



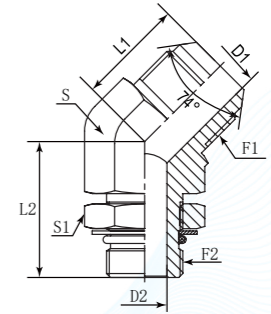
PART NUMBER	F1 (Thread)	F2 (Thread)	D1	D2	L1	L2	S	S1
#	UNF	BSPP	mm	mm	mm	mm	mm	mm
DAJCM406Q-0402	7/16"-20	1/8"-28	4.37	4.40	18.00	26.50	11	14
DAJCM406Q-0404	7/16"-20	1/4"-19	4.37	7.50	21.00	29.00	14	19
DAJCM406Q-0406	7/16"-20	3/8"-19	4.37	9.90	22.00	33.00	19	22
DAJCM406Q-0502	1/2"-20	1/8"-28	5.94	4.40	20.00	27.00	14	14
DAJCM406Q-0504	1/2"-20	1/4"-19	5.94	7.50	21.00	29.00	14	19
DAJCM406Q-0604	9/16"-18	1/4"-19	7.54	7.50	21.00	29.00	14	19
DAJCM406Q-0606	9/16"-18	3/8"-19	7.54	9.90	22.00	33.00	19	22
DAJCM406Q-0608	9/16"-18	1/2"-14	7.54	12.30	22.00	38.50	22	27
DAJCM406Q-0804	3/4"-16	1/4"-19	9.93	7.50	25.00	30.50	19	19
DAJCM406Q-0806	3/4"-16	3/8"-19	9.93	9.90	25.00	33.00	19	22
DAJCM406Q-0808	3/4"-16	1/2"-14	9.93	12.30	25.50	38.50	22	27
DAJCM406Q-0812	3/4"-16	3/4"-14	9.93	15.50	26.50	44.00	27	36
DAJCM406Q-1006	7/8"-14	3/8"-19	12.29	9.90	28.00	35.00	22	22
DAJCM406Q-1008	7/8"-14	1/2"-14	12.29	12.30	28.00	38.50	22	27
DAJCM406Q-1010	7/8"-14	5/8"-14	12.29	14.00	28.00	40.00	27	32
DAJCM406Q-1012	7/8"-14	3/4"-14	12.29	15.50	30.00	44.00	27	36
DAJCM406Q-1208	1-1/16"-12	1/2"-14	15.47	12.30	32.50	40.50	27	27
DAJCM406Q-1212	1-1/16"-12	3/4"-14	15.47	15.50	32.50	44.00	27	36
DAJCM406Q-1216	1-1/16"-12	1"-11	15.47	21.50	35.80	47.00	33	41
DAJCM406Q-1612	1-5/16"-12	3/4"-14	21.44	15.50	37.00	47.00	36	36
DAJCM406Q-1616	1-5/16"-12	1"-11	21.44	21.50	37.00	47.00	33	41
DAJCM406Q-2016	1-5/8"-12	1"-11	27.38	21.50	40.50	48.50	41	41
DAJCM406Q-2020	1-5/8"-12	1-1/4"-11	27.38	27.50	40.50	48.50	41	50
DAJCM406Q-2424	1-7/8"-12	1-1/2"-11	33.32	33.00	45.00	49.00	48	55

DAJCM406S

45° Adjustable Elbow JIC Male - BSPP Male + O Ring



- DME&JDE Code:** DAJCM406S
- Product Type:** Hydraulic adaptor
- Standard:** JIC and SAE-ORB
- Structure:** 45° Elbow
- Connection Type:** Adjustable Male × Male
- Thread Types:** UNF × BSPP 60°
- Sealing Method:** O Ring



PART NUMBER	F1 (Thread)	F2 (Thread)	D1	D2	L1	L2	S	S1
#	UNF	BSPP	mm	mm	mm	mm	mm	mm
DAJCM406S-0402	7/16"-20	1/8"-28	4.37	4.40	18.00	26.50	11	14
DAJCM406S-0404	7/16"-20	1/4"-19	4.37	7.50	21.00	29.00	14	19
DAJCM406S-0406	7/16"-20	3/8"-19	4.37	9.90	22.00	33.00	19	22
DAJCM406S-0502	1/2"-20	1/8"-28	5.94	4.40	20.00	27.00	14	14
DAJCM406S-0504	1/2"-20	1/4"-19	5.94	7.50	21.00	29.00	14	19
DAJCM406S-0604	9/16"-18	1/4"-19	7.54	7.50	21.00	29.00	14	19
DAJCM406S-0606	9/16"-18	3/8"-19	7.54	9.90	22.00	33.00	19	22
DAJCM406S-0608	9/16"-18	1/2"-14	7.54	12.30	22.00	38.50	22	27
DAJCM406S-0804	3/4"-16	1/4"-19	9.93	7.50	25.00	30.50	19	19
DAJCM406S-0806	3/4"-16	3/8"-19	9.93	9.90	25.00	33.00	19	22
DAJCM406S-0808	3/4"-16	1/2"-14	9.93	12.30	25.50	38.50	22	27
DAJCM406S-0812	3/4"-16	3/4"-14	9.93	15.50	26.50	44.00	27	36
DAJCM406S-1006	7/8"-14	3/8"-19	12.29	9.90	28.00	35.00	22	22
DAJCM406S-1008	7/8"-14	1/2"-14	12.29	12.30	28.00	38.50	22	27
DAJCM406S-1010	7/8"-14	5/8"-14	12.29	14.00	28.00	40.00	27	32
DAJCM406S-1012	7/8"-14	3/4"-14	12.29	15.50	30.00	44.00	27	36
DAJCM406S-1208	1-1/16"-12	1/2"-14	15.47	12.30	32.50	40.50	27	27
DAJCM406S-1212	1-1/16"-12	3/4"-14	15.47	15.50	32.50	44.00	27	36
DAJCM406S-1216	1-1/16"-12	1"-11	15.47	21.50	35.80	47.00	33	41
DAJCM406S-1612	1-5/16"-12	3/4"-14	21.44	15.50	37.00	47.00	36	36
DAJCM406S-1616	1-5/16"-12	1"-11	21.44	21.50	37.00	47.00	33	41
DAJCM406S-2016	1-5/8"-12	1"-11	27.38	21.50	40.50	48.50	41	41
DAJCM406S-2020	1-5/8"-12	1-1/4"-11	27.38	27.50	40.50	48.50	41	50
DAJCM406S-2424	1-7/8"-12	1-1/2"-11	33.32	33.00	45.00	49.00	48	55



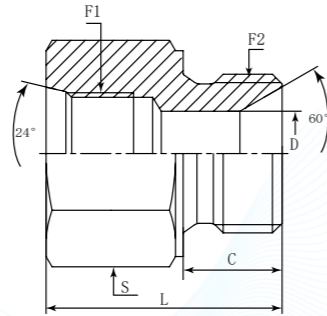
DAUNF152M

Straight Connector SAE Female O Ring – Metric Male 60°



- D** Company: **DME**
- A** Product Range: **Adaptor**
- UN** Thread Types: **SAE UNF**
- F** Connection Type: **Female**
- 1** Adaptor Structure: **Straight**
- 52** Thread Types: **Metric**
- M** Connection Type: **Male**

- DME&JDE Code:** DAUNF152M
- Product Type:** Hydraulic adaptor
- Standard:** JIC and SAE-ORB
- Structure:** Straight
- Connection Type:** Female x Male
- Thread Types:** UNF x Metric
- Sealing Method:** O Ring + Retaining Ring



PART NUMBER	F1 (Thread)	F2(Thread)	C	D	L	S
#	UNF	METRIC	mm	mm	mm	mm
DAUNF152M-0408	7/16"-20	M8X1	8.50	3.00	28.50	17.46
DAUNF152M-0412	7/16"-20	M2X1	10.00	5.50	30.00	17.46
DAUNF152M-0614	9/16"-18	M14X1.5	12.00	6.00	35.00	20.64
DAUNF152M-0616	9/16"-18	M16X1.5	12.00	8.00	34.50	22
DAUNF152M-0622	9/16"-18	M22X1.5	14.00	14.10	29.00	27
DAUNF152M-0818	3/4"-16	M18X1.5	12.00	10.00	38.00	25.40
DAUNF152M-1022	7/8"-14	M22X1.5	14.00	14.10	41.00	28.58
DAUNF152M-1226	1-1/16"-12	M26X1.5	16.00	15.00	48.00	34.93
DAUNF152M-1227	1-1/16"-12	M27X2	16.00	15.00	48.00	34.93
DAUNF152M-1633	1-5/16"-12	M33X2	18.00	21.50	52.00	41.28

Web: <https://www.dmejde.com>
E-mail: info@dmejde.com



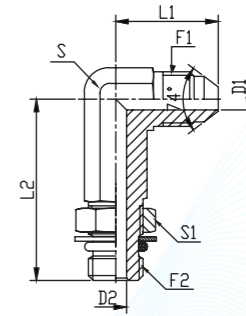
DAJCM930P

90° Adjustable Long Elbow JIC Male – SAE Male + O Ring + Retaining Ring



- D** Company: **DME**
- A** Product Range: **Adaptor**
- JC** Thread Types: **JIC UNF**
- M** Connection Type: **Male**
- 9** Adaptor Structure: **90° Elbow**
- 30** Thread Types: **SAE UNF**
- P** Connection Type: **Male + O Ring + Retaining Ring**

- DME&JDE Code:** DAJCM930P
- Product Type:** Hydraulic adaptor
- Standard:** JIC and SAE-ORB
- Structure:** 90° Elbow
- Connection Type:** Adjustable Male x Female
- Thread Types:** UNF x UNF
- Other Features:** O Ring + Retaining Ring



PART NUMBER	F1 (Thread)	F2 (Thread)	D1	D2	L1	L2	S	S1	Hex
#	UNF	UNF	mm	mm	mm	mm	-	-	-
DAJCM930P-0404	7/16"-20	7/16"-20	4.37	4.37	22.60	30.20	11 mm	14 mm	Metric
DAJCM930P-0406	7/16"-20	9/16"-18	4.37	7.54	26.70	42.30	14 mm	19 mm	Metric
DAJCM930P-0404IN	7/16"-20	7/16"-20	4.37	4.37	22.60	30.20	7/16"	9/16"	Imperial
DAJCM930P-0406IN	7/16"-20	9/16"-18	4.37	7.54	26.70	42.30	9/16"	11/16"	Imperial
DAJCM930P-0606	9/16"-18	9/16"-18	7.54	7.54	26.90	42.30	14 mm	19 mm	Metric
DAJCM930P-0608	9/16"-18	3/4"-16	7.54	9.93	29.00	46.00	19 mm	22 mm	Metric
DAJCM930P-0606IN	9/16"-18	9/16"-18	7.54	7.54	26.90	42.30	9/16"	11/16"	Imperial
DAJCM930P-0608IN	9/16"-18	3/4"-16	7.54	9.93	29.00	46.00	3/4"	7/8"	Imperial
DAJCM930P-0806	3/4"-16	9/16"-18	9.93	7.54	31.80	44.50	19 mm	19 mm	Metric
DAJCM930P-0808	3/4"-16	3/4"-16	9.93	9.93	31.80	46.00	19 mm	22 mm	Metric
DAJCM930P-0810	3/4"-16	7/8"-14	9.93	12.29	33.80	54.10	22 mm	27 mm	Metric
DAJCM930P-0806IN	3/4"-16	9/16"-18	9.93	7.54	31.80	44.50	3/4"	11/16"	Imperial
DAJCM930P-0808IN	3/4"-16	3/4"-16	9.93	9.93	31.80	46.00	3/4"	7/8"	Imperial
DAJCM930P-0810IN	3/4"-16	7/8"-14	9.93	12.29	33.80	54.10	7/8"	1"	Imperial
DAJCM930P-1008	7/8"-14	3/4"-16	12.29	9.93	36.80	53.34	22 mm	22 mm	Metric
DAJCM930P-1010	7/8"-14	7/8"-14	12.29	12.29	36.80	54.90	22 mm	27 mm	Metric
DAJCM930P-1012	7/8"-14	1-1/16"-12	12.29	15.47	39.10	66.55	27 mm	32 mm	Metric
DAJCM930P-1008IN	7/8"-14	3/4"-16	12.29	9.93	36.80	53.34	7/8"	7/8"	Imperial
DAJCM930P-1010IN	7/8"-14	7/8"-14	12.29	12.29	36.80	54.90	7/8"	1"	Imperial
DAJCM930P-1012IN	7/8"-14	1-1/16"-12	12.29	15.47	39.10	66.55	1-1/16"	1-1/4"	Imperial
DAJCM930P-1210	1-1/16"-12	7/8"-14	15.47	12.29	42.20	62.74	27 mm	27 mm	Metric
DAJCM930P-1212	1-1/16"-12	1-1/16"-12	15.47	15.47	39.10	57.20	27 mm	32 mm	Metric
DAJCM930P-1210IN	1-1/16"-12	7/8"-14	15.47	12.29	42.20	62.74	1-1/16"	1"	Imperial
DAJCM930P-1212IN	1-1/16"-12	1-1/16"-12	15.47	15.47	39.10	57.20	1-1/16"	1-1/4"	Imperial
DAJCM930P-1612	1-5/16"-12	1-1/16"-12	21.44	15.47	42.20	62.70	33 mm	32 mm	Metric
DAJCM930P-1616	1-5/16"-12	1-5/16"-12	21.44	21.44	46.00	77.70	33 mm	41 mm	Metric
DAJCM930P-1612IN	1-5/16"-12	1-1/16"-12	21.44	15.47	42.20	62.70	1-5/16"	1-1/4"	Imperial
DAJCM930P-1616IN	1-5/16"-12	1-5/16"-12	21.44	21.44	46.00	77.70	1-5/16"	1-1/2"	Imperial
DAJCM930P-2020	1-5/8"-12	1-5/8"-12	27.38	27.38	52.30	88.30	41 mm	50 mm	Metric
DAJCM930P-2020IN	1-5/8"-12	1-5/8"-12	27.38	27.38	52.30	88.30	1-5/8"	1-7/8"	Imperial

Web: <https://www.dmejde.com>
E-mail: info@dmejde.com



DAJCM452Q

45° Adjustable Elbow JIC Male – Metric Male + O Ring + Retaining Ring

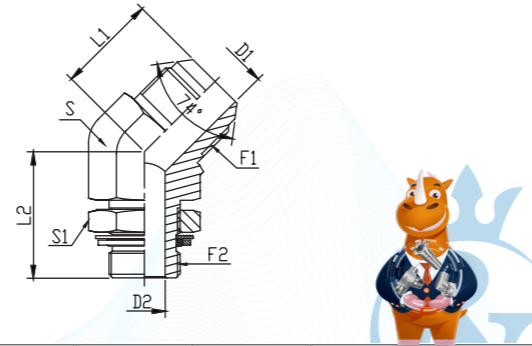
D	A	JC	M	4	52	0
Company	Product Range	Thread Types	Connection Type	Adaptor Structure	Thread Types	Connection Type
DME	Adaptor	JIC UNF	Male	45° Elbow	Metric	Male + O Ring + Retaining Ring

German Technology Equipment

SHIELD FLEX

New-Standard

- DME&JDE Code: **DAJCM452Q**
- Product Type: **Hydraulic adaptor**
- Standard: **JIC and SAE-ORB**
- Structure: **45° Elbow**
- Connection Type: **Adjustable Male x Male**
- Thread Types: **UNF x Metric**
- Sealing Method: **O Ring + Retaining Ring**



PART NUMBER	F1 (Thread)	F2 (Thread)	D1	D2	L1	L2	S	S1
#	UNF	Metric	mm	mm	mm	mm	mm	mm
DAJCM452Q-0410	7/16"-20	M10X1	4.37	3.00	18.00	26.50	11.11	14.00
DAJCM452Q-0412	7/16"-20	M12X1.5	4.37	4.00	21.00	29.00	14.00	17.00
DAJCM452Q-0614	9/16"-18	M14X1.5	7.54	7.50	21.50	28.00	14.00	19.00
DAJCM452Q-0616	9/16"-18	M16X1.5	7.54	7.00	22.00	33.00	19.00	22.00
DAJCM452Q-0816	3/4"-16	M16X1.5	9.93	9.00	25.00	33.00	19.00	22.00
DAJCM452Q-0818	3/4"-16	M18X1.5	9.93	9.00	25.00	33.00	19.05	24.00
DAJCM452Q-0822	3/4"-16	M22X1.5	9.93	12.00	27.00	38.00	22.00	27.00
DAJCM452Q-1018	7/8"-14	M18X1.5	12.29	10.50	28.50	34.50	22.00	24.00
DAJCM452Q-1022	7/8"-14	M22X1.5	12.29	12.00	28.50	38.00	22.00	27.00
DAJCM452Q-1222	1-1/16"-12	M22X1.5	15.47	14.00	33.00	41.50	27.00	27.00
DAJCM452Q-1227	1-1/16"-12	M27X2	15.47	15.00	32.50	44.00	27.00	32.00

DAJCM4525

45° Adjustable Elbow JIC Male – Metric Male + O Ring

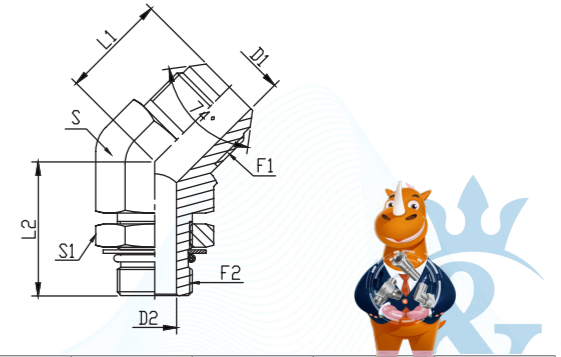
D	A	JC	M	4	52	5
Company	Product Range	Thread Types	Connection Type	Adaptor Structure	Thread Types	Connection Type
DME	Adaptor	JIC UNF	Male	45° Elbow	Metric	Male + O Ring

German Technology Equipment

SHIELD FLEX

New-Standard

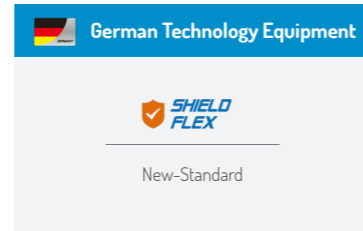
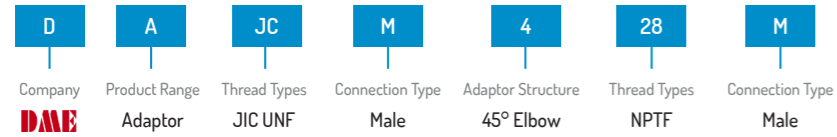
- DME&JDE Code: **DAJCM4525**
- Product Type: **Hydraulic adaptor**
- Standard: **JIC and SAE-ORB**
- Structure: **45° Elbow**
- Connection Type: **Male x Male**
- Thread Types: **UNF x Metric**
- Sealing Method: **O Ring**



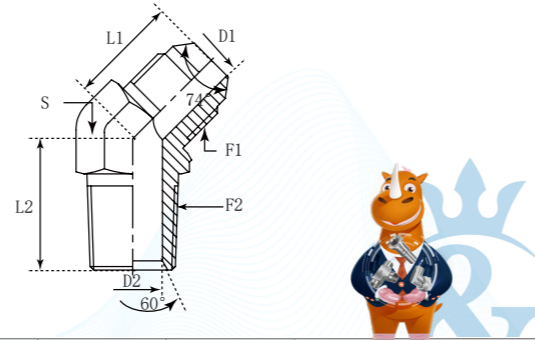
PART NUMBER	F1 (Thread)	F2 (Thread)	D1	D2	L1	L2	S	S1
#	UNF	Metric	mm	mm	mm	mm	mm	mm
DAJCM4525-0410	7/16"-20	M10X1	4.37	3.00	18.00	26.50	11.11	14.00
DAJCM4525-0412	7/16"-20	M12X1.5	4.37	4.00	21.00	29.00	14.00	17.00
DAJCM4525-0614	9/16"-18	M14X1.5	7.54	7.50	21.50	28.00	14.00	19.00
DAJCM4525-0616	9/16"-18	M16X1.5	7.54	7.00	22.00	33.00	19.00	22.00
DAJCM4525-0816	3/4"-16	M16X1.5	9.93	9.00	25.00	33.00	19.00	22.00
DAJCM4525-0818	3/4"-16	M18X1.5	9.93	9.00	25.00	33.00	19.05	24.00
DAJCM4525-0822	3/4"-16	M22X1.5	9.93	12.00	27.00	38.00	22.00	27.00
DAJCM4525-1018	7/8"-14	M18X1.5	12.29	10.50	28.50	34.50	22.00	24.00
DAJCM4525-1022	7/8"-14	M22X1.5	12.29	12.00	28.50	38.00	22.00	27.00
DAJCM4525-1222	1-1/16"-12	M22X1.5	15.47	14.00	33.00	41.50	27.00	27.00
DAJCM4525-1227	1-1/16"-12	M27X2	15.47	15.00	32.50	44.00	27.00	32.00

DAJCM428M

45° Elbow Connector JIC Male – NPTF Male 60°



- DME&JDE Code:** DAJCM428M
- Product Type:** Hydraulic adaptor
- Standard:** JIC and SAE-ORB
- Structure:** 45° Elbow
- Connection Type:** Male x Male
- Thread Types:** UNF x NPTF 60°



PART NUMBER	F1 (Thread)	F2 (Thread)	L1	L2	D1	D2	S	Hex
#	UNF	NPTF	mm	mm	mm	mm	-	-
DAJCM428M-0202	5/16"-24	1/8"-27	17.53	13.2	1.57	4.78	11 mm	Metric
DAJCM428M-0202IN	5/16"-24	1/8"-27	17.53	13.2	1.57	4.78	7/16"	Imperial
DAJCM428M-0302	3/8"-24	1/8"-27	17.5	13.2	3.18	4.78	11 mm	Metric
DAJCM428M-0302IN	3/8"-24	1/8"-27	17.5	13.2	3.18	4.78	7/16"	Imperial
DAJCM428M-0402	7/16"-20	1/8"-27	18.28	16.3	4.37	4.78	11 mm	Metric
DAJCM428M-0404	7/16"-20	1/4"-18	20.8	21.8	4.37	7.14	14 mm	Metric
DAJCM428M-0406	7/16"-20	3/8"-18	21.6	24.1	4.37	10.31	19 mm	Metric
DAJCM428M-0408	7/16"-20	1/2"-14	22.1	29.7	4.37	13.49	22 mm	Metric
DAJCM428M-0402IN	7/16"-20	1/8"-27	18.28	16.3	4.37	4.78	7/16"	Imperial
DAJCM428M-0404IN	7/16"-20	1/4"-18	20.8	21.8	4.37	7.14	9/16"	Imperial
DAJCM428M-0406IN	7/16"-20	3/8"-18	21.6	24.1	4.37	10.31	3/4"	Imperial
DAJCM428M-0408IN	7/16"-20	1/2"-14	22.1	29.7	4.37	13.49	7/8"	Imperial
DAJCM428M-0502	1/2"-20	1/8"-27	19.56	16.26	5.94	4.78	14 mm	Metric
DAJCM428M-0504	1/2"-20	1/4"-18	20.8	21.8	5.94	7.14	14 mm	Metric
DAJCM428M-0506	1/2"-20	3/8"-18	21.59	24.13	5.94	10.31	19 mm	Metric
DAJCM428M-0508	1/2"-20	1/2"-14	24.5	29.7	5.94	13.49	22 mm	Metric
DAJCM428M-0502IN	1/2"-20	1/8"-27	19.56	16.26	5.94	4.78	9/16"	Imperial
DAJCM428M-0504IN	1/2"-20	1/4"-18	20.8	21.8	5.94	7.14	9/16"	Imperial
DAJCM428M-0506IN	1/2"-20	3/8"-18	21.59	24.13	5.94	10.31	3/4"	Imperial
DAJCM428M-0508IN	1/2"-20	1/2"-14	24.5	29.7	5.94	13.49	7/8"	Imperial
DAJCM428M-0602	9/16"-18	1/8"-27	21.1	17	7.54	4.78	14 mm	Metric
DAJCM428M-0604	9/16"-18	1/4"-18	21.1	21.8	7.54	7.14	14 mm	Metric
DAJCM428M-0606	9/16"-18	3/8"-18	22.1	24.1	7.54	10.31	19 mm	Metric
DAJCM428M-0608	9/16"-18	1/2"-14	22.35	29.7	7.54	13.49	22 mm	Metric
DAJCM428M-0612	9/16"-18	3/4"-14	24.9	30.5	7.54	18.26	27 mm	Metric
DAJCM428M-0602IN	9/16"-18	1/8"-27	21.1	17	7.54	4.78	9/16"	Imperial
DAJCM428M-0604IN	9/16"-18	1/4"-18	21.1	21.8	7.54	7.14	9/16"	Imperial
DAJCM428M-0606IN	9/16"-18	3/8"-18	22.1	24.1	7.54	10.31	3/4"	Imperial

Web: <https://www.dmejde.com>
E-mail: info@dmejde.com



DAJCM428M-0608IN	9/16"-18	1/2"-14	22.35	29.7	7.54	13.49	7/8"	Imperial
DAJCM428M-0612IN	9/16"-18	3/4"-14	24.9	30.5	7.54	18.26	1-1/16"	Imperial
DAJCM428M-0804	3/4"-16	1/4"-18	24.9	24.1	9.93	7.14	19 mm	Metric
DAJCM428M-0806	3/4"-16	3/8"-18	24.9	24.1	9.93	10.31	19 mm	Metric
DAJCM428M-0808	3/4"-16	1/2"-14	25.2	29.7	9.93	13.49	22 mm	Metric
DAJCM428M-0812	3/4"-16	3/4"-14	26.4	30.5	9.93	18.26	27 mm	Metric
DAJCM428M-0816	3/4"-16	1"-11-1/2	35	37.6	9.93	23.83	33 mm	Metric
DAJCM428M-0804IN	3/4"-16	1/4"-18	24.9	24.1	9.93	7.14	3/4"	Imperial
DAJCM428M-0806IN	3/4"-16	3/8"-18	24.9	24.1	9.93	10.31	3/4"	Imperial
DAJCM428M-0808IN	3/4"-16	1/2"-14	25.2	29.7	9.93	13.49	7/8"	Imperial
DAJCM428M-0812IN	3/4"-16	3/4"-14	26.4	30.5	9.93	18.26	1-1/16"	Imperial
DAJCM428M-0816IN	3/4"-16	1"-11-1/2	35	37.6	9.93	23.83	1-5/16"	Imperial
DAJCM428M-1004	7/8"-14	1/4"-18	28.2	24.9	12.29	7.14	22 mm	Metric
DAJCM428M-1006	7/8"-14	3/8"-18	28.2	24.9	12.29	10.31	22 mm	Metric
DAJCM428M-1008	7/8"-14	1/2"-14	28.2	29.7	12.29	13.49	22 mm	Metric
DAJCM428M-1012	7/8"-14	3/4"-14	29.5	30.5	12.29	18.26	27 mm	Metric
DAJCM428M-1004IN	7/8"-14	1/4"-18	28.2	24.9	12.29	7.14	7/8"	Imperial
DAJCM428M-1006IN	7/8"-14	3/8"-18	28.2	24.9	12.29	10.31	7/8"	Imperial
DAJCM428M-1008IN	7/8"-14	1/2"-14	28.2	29.7	12.29	13.49	7/8"	Imperial
DAJCM428M-1012IN	7/8"-14	3/4"-14	29.5	30.5	12.29	18.26	1-1/16"	Imperial
DAJCM428M-1206	1-1/16"-12	3/8"-18	32.5	28.5	15.47	10.31	27 mm	Metric
DAJCM428M-1208	1-1/16"-12	1/2"-14	32.5	30.5	15.47	13.49	27 mm	Metric
DAJCM428M-1212	1-1/16"-12	3/4"-14	32.5	30.5	15.47	18.26	27 mm	Metric
DAJCM428M-1216	1-1/16"-12	1"-11-1/2	36.1	37.6	15.47	23.83	33 mm	Metric
DAJCM428M-1206IN	1-1/16"-12	3/8"-18	32.5	28.5	15.47	10.31	1-1/16"	Imperial
DAJCM428M-1208IN	1-1/16"-12	1/2"-14	32.5	30.5	15.47	13.49	1-1/16"	Imperial
DAJCM428M-1212IN	1-1/16"-12	3/4"-14	32.5	30.5	15.47	18.26	1-1/16"	Imperial
DAJCM428M-1216IN	1-1/16"-12	1"-11-1/2	36.1	37.6	15.47	23.83	1-5/16"	Imperial
DAJCM428M-1412	1-3/16"-12	3/4"-14	36.8	33	18.26	18.26	33 mm	Metric
DAJCM428M-1412IN	1-3/16"-12	3/4"-14	36.8	33	18.26	18.26	1-5/16"	Imperial
DAJCM428M-1608	1-5/16"-12	1/2"-14	37.3	32.8	21.44	13.49	33 mm	Metric
DAJCM428M-1612	1-5/16"-12	3/4"-14	37.3	32.8	21.44	18.26	33 mm	Metric
DAJCM428M-1616	1-5/16"-12	1"-11-1/2	37.3	37.6	21.44	23.83	33 mm	Metric
DAJCM428M-1620	1-5/16"-12	1-1/4"-11-1/2	39.12	42.4	21.44	31.75	41 mm	Metric
DAJCM428M-1608IN	1-5/16"-12	1/2"-14	37.3	32.8	21.44	13.49	1-5/16"	Imperial
DAJCM428M-1612IN	1-5/16"-12	3/4"-14	37.3	32.8	21.44	18.26	1-5/16"	Imperial
DAJCM428M-1616IN	1-5/16"-12	1"-11-1/2	37.3	37.6	21.44	23.83	1-5/16"	Imperial
DAJCM428M-1620IN	1-5/16"-12	1-1/4"-11-1/2	39.12	42.4	21.44	31.75	1-5/8"	Imperial
DAJCM428M-2016	1-5/8"-12	1"-11-1/2	40.39	41.66	27.38	23.83	41 mm	Metric
DAJCM428M-2020	1-5/8"-12	1-1/4"-11-1/2	40.4	42.4	27.38	31.75	41 mm	Metric
DAJCM428M-2024	1-5/8"-12	1-1/2"-11-1/2	41.9	45	27.38	38.1	48 mm	Metric
DAJCM428M-2016IN	1-5/8"-12	1"-11-1/2	40.39	41.66	27.38	23.83	1-5/8"	Imperial
DAJCM428M-2020IN	1-5/8"-12	1-1/4"-11-1/2	40.4	42.4	27.38	31.75	1-5/8"	Imperial
DAJCM428M-2024IN	1-5/8"-12	1-1/2"-11-1/2	41.9	45	27.38	38.1	1-7/8"	Imperial
DAJCM428M-2420	1-7/8"-12	1-1/4"-11-1/2	45.21	44.2	33.32	31.75	48 mm	Metric
DAJCM428M-2424	1-7/8"-12	1-1/2"-11-1/2	45.2	45	33.32	38.1	48 mm	Metric
DAJCM428M-2420IN	1-7/8"-12	1-1/4"-11-1/2	45.21	44.2	33.32	31.75	1-7/8"	Imperial
DAJCM428M-2424IN	1-7/8"-12	1-1/2"-11-1/2	45.2	45	33.32	38.1	1-7/8"	Imperial
DAJCM428M-3232	2-1/2"-12	2"-11-1/2	56.4	53.6	45.24	49.23	65 mm	Metric
DAJCM428M-3232IN	2-1/2"-12	2"-11-1/2	56.4	53.6	45.24	49.23	2-1/2"	Imperial



Web: <https://www.dmejde.com>
E-mail: info@dmejde.com



DAJCM407M

45° Elbow Connector JIC Male – BSPT Male 60°

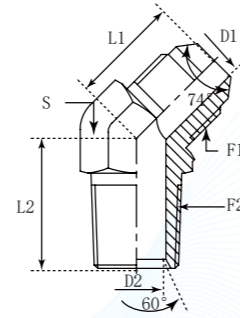
D	A	JC	M	4	07	M
Company	Product Range	Thread Types	Connection Type	Adaptor Structure	Thread Types	Connection Type
DME	Adaptor	JIC UNF	Male	45° Elbow	BSPT	Male

German Technology Equipment

SHIELD FLEX

New-Standard

- DME&JDE Code:** DAJCM407M
- Product Type:** Hydraulic adaptor
- Standard:** JIC and SAE-ORB
- Structure:** 45° Elbow
- Connection Type:** Male x Male
- Thread Types:** UNF x BSPT 60°



PART NUMBER	F1 (Thread)	F2 (Thread)	L1	L2	D1	D2	S	Hex
#	UNF	BSPP	mm	mm	mm	mm	mm	-
DAJCM407M-0402	7/16"-20	1/8"-28	19.6	16.3	4.37	4.5	11	Metric
DAJCM407M-0404	7/16"-20	1/4"-19	20.8	21.8	4.37	6	14	Metric
DAJCM407M-0406	7/16"-20	3/8"-19	21.6	24.1	4.37	9	19	Metric
DAJCM407M-0502	1/2"-20	1/8"-28	19.6	16.3	5.94	4.5	14	Metric
DAJCM407M-0504	1/2"-20	1/4"-19	20.83	21.84	5.94	6	14	Metric
DAJCM407M-0602	9/16"-18	1/8"-28	21.08	16.26	7.54	4.5	14	Metric
DAJCM407M-0604	9/16"-18	1/4"-19	21.1	21.8	7.54	6	14	Metric
DAJCM407M-0606	9/16"-18	3/8"-19	22.1	24.1	7.54	9	19	Metric
DAJCM407M-0608	9/16"-18	1/2"-14	24.89	29.72	7.54	12	22	Metric
DAJCM407M-0804	3/4"-16	1/4"-19	24.89	24.13	9.93	6	19	Metric
DAJCM407M-0806	3/4"-16	3/8"-19	24.9	24.1	9.93	9	19	Metric
DAJCM407M-0808	3/4"-16	1/2"-14	25.2	29.7	9.93	12	22	Metric
DAJCM407M-0812	3/4"-16	3/4"-14	28.19	30.48	9.93	16.7	27	Metric
DAJCM407M-1006	7/8"-14	3/8"-19	28.19	24.89	12.29	9	22	Metric
DAJCM407M-1008	7/8"-14	1/2"-14	28.2	29.7	12.29	12	22	Metric
DAJCM407M-1012	7/8"-14	3/4"-14	29.46	30.48	12.29	16.7	27	Metric
DAJCM407M-1208	1-1/16"-12	1/2"-14	32.51	30.48	15.47	12	27	Metric
DAJCM407M-1212	1-1/16"-12	3/4"-14	32.5	30.5	15.47	16.7	27	Metric
DAJCM407M-1216	1-1/16"-12	1"-11	36.1	37.6	15.47	22.2	33	Metric
DAJCM407M-1612	1-5/16"-12	3/4"-14	37.34	32.77	21.44	16.7	33	Metric
DAJCM407M-1616	1-5/16"-12	1"-11	37.3	37.6	21.44	22.2	33	Metric
DAJCM407M-2016	1-5/8"-12	1"-11	40.39	41.4	27.38	22.2	41	Metric
DAJCM407M-2020	1-5/8"-12	1-1/4"-11	40.39	42.42	27.38	28.6	41	Metric
DAJCM407M-2424	1-7/8"-12	1-1/2"-11	45.2	45	33.32	33.3	48	Metric

DAJCM428F

45° Elbow Connector JIC Male – NPTF Female

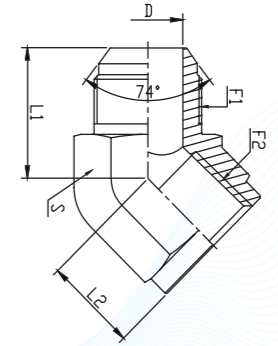
D	A	JC	M	4	28	F
Company	Product Range	Thread Types	Connection Type	Adaptor Structure	Thread Types	Connection Type
DME	Adaptor	JIC UNF	Male	45° Elbow	NPTF	Female

German Technology Equipment

SHIELD FLEX

New-Standard

- DME&JDE Code:** DAJCM428F
- Product Type:** Hydraulic adaptor
- Standard:** JIC and SAE-ORB
- Structure:** 45° Elbow
- Connection Type:** Male x Female
- Thread Types:** UNF x NPTF



PART NUMBER	F1 (Thread)	F2 (Thread)	D	L1	L2	S	Hex
#	UNF	NPTF	mm	mm	mm	mm	-
DAJCM428F-0402	7/16"-20	1/8"-27	4.37	21.08	12.7	14 mm	Metric
DAJCM428F-0404	7/16"-20	1/4"-18	4.37	21.60	15.80	19 mm	Metric
DAJCM428F-0402IN	7/16"-20	1/8"-27	4.37	21.08	12.7	9/16"	Imperial
DAJCM428F-0404IN	7/16"-20	1/4"-18	4.37	21.60	15.80	3/4"	Imperial
DAJCM428F-0604	9/16"-18	1/4"-18	7.54	22.10	17.53	19 mm	Metric
DAJCM428F-0606	9/16"-18	3/8"-18	7.54	22.35	19.05	22 mm	Metric
DAJCM428F-0604IN	9/16"-18	1/4"-18	7.54	22.10	17.53	3/4"	Imperial
DAJCM428F-0606IN	9/16"-18	3/8"-18	7.54	22.35	19.05	7/8"	Imperial
DAJCM428F-0806	3/4"-16	3/8"-18	9.93	25.15	19.05	22 mm	Metric
DAJCM428F-0808	3/4"-16	1/2"-14	9.93	26.40	23.90	27 mm	Metric
DAJCM428F-0806IN	3/4"-16	3/8"-18	9.93	25.15	19.05	7/8"	Imperial
DAJCM428F-0808IN	3/4"-16	1/2"-14	9.93	26.40	23.90	1-1/8"	Imperial
DAJCM428F-1008	7/8"-14	1/2"-14	12.29	32.50	23.10	27 mm	Metric
DAJCM428F-1008IN	7/8"-14	1/2"-14	12.29	32.50	23.10	1-1/8"	Imperial
DAJCM428F-1212	1-1/16"-12	3/4"-14	15.47	36.10	25.40	33 mm	Metric
DAJCM428F-1216	1-1/16"-12	1"-11-1/2	15.47	38.00	30.20	41 mm	Metric
DAJCM428F-1212IN	1-1/16"-12	3/4"-14	15.47	36.10	25.40	1-5/16"	Imperial
DAJCM428F-1216IN	1-1/16"-12	1"-11-1/2	15.47	38.00	30.20	1-1/2"	Imperial
DAJCM428F-1616	1-5/16"-12	1"-11-1/2	21.44	39.10	30.20	41 mm	Metric
DAJCM428F-1616IN	1-5/16"-12	1"-11-1/2	21.44	39.10	30.20	1-1/2"	Imperial



DAJCM425T

45° Elbow Connector Bulkhead JIC Male – JIC Male

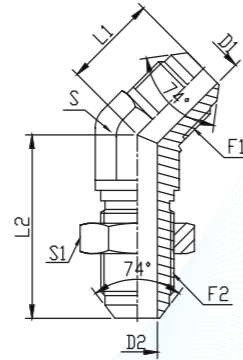
D	A	JC	M	4	25	T
Company	Product Range	Thread Types	Connection Type	Adaptor Structure	Thread Types	Connection Type
DME	Adaptor	JIC UNF	Male	45° Elbow	JIC UNF	Male + Bulkhead

German Technology Equipment

SHIELD FLEX

New-Standard

- DME&JDE Code: **DAJCM425T**
- Product Type: **Hydraulic adaptor**
- Standard: **JIC and SAE-ORB**
- Structure: **45° Elbow**
- Connection Type: **Male**
- Thread Types: **UNF x UNF**
- Other Features: **Bulkhead**



PART NUMBER	F1 (Thread)	F2 (Thread)	L1	L2	D1	D2	S	S1	Hex
#	UNF	UNF	mm	mm	mm	mm	-	-	-
DAJCM425T-0303	3/8"-24	3/8"-24	3.18	3.18	17.53	36.07	11 mm	16 mm	Metric
DAJCM425T-0303IN	3/8"-24	3/8"-24	3.18	3.18	17.53	36.07	7/16"	5/8"	Imperial
DAJCM425T-0404	7/16"-20	7/16"-20	4.37	4.37	18.29	38.86	11 mm	17 mm	Metric
DAJCM425T-0404IN	7/16"-20	7/16"-20	4.37	4.37	18.29	38.86	7/16"	11/16"	Imperial
DAJCM425T-0505	1/2"-20	1/2"-20	5.94	5.94	19.56	42.16	14 mm	19 mm	Metric
DAJCM425T-0505IN	1/2"-20	1/2"-20	5.94	5.94	19.56	42.16	9/16"	3/4"	Imperial
DAJCM425T-0606	9/16"-18	9/16"-18	7.54	7.54	21.08	42.42	14 mm	22 mm	Metric
DAJCM425T-0606IN	9/16"-18	9/16"-18	7.54	7.54	21.08	42.42	9/16"	13/16"	Imperial
DAJCM425T-0808	3/4"-16	3/4"-16	9.93	9.93	24.90	49.30	19 mm	24 mm	Metric
DAJCM425T-0808IN	3/4"-16	3/4"-16	9.93	9.93	24.90	49.30	3/4"	1"	Imperial
DAJCM425T-1010	7/8"-14	7/8"-14	12.29	12.29	28.20	55.10	22 mm	30 mm	Metric
DAJCM425T-1010IN	7/8"-14	7/8"-14	12.29	12.29	28.20	55.10	7/8"	1-1/8"	Imperial
DAJCM425T-1212	1-1/16"-12	1-1/16"-12	15.47	15.47	32.50	62.00	27 mm	36 mm	Metric
DAJCM425T-1212IN	1-1/16"-12	1-1/16"-12	15.47	15.47	32.50	62.00	1-1/16"	1-3/8"	Imperial
DAJCM425T-1616	1-5/16"-12	1-5/16"-12	21.44	21.44	37.34	65.02	33 mm	41 mm	Metric
DAJCM425T-1616IN	1-5/16"-12	1-5/16"-12	21.44	21.44	37.34	65.02	1-5/16"	1-5/8"	Imperial
DAJCM425T-2020	1-5/8"-12	1-5/8"-12	27.38	27.38	40.39	67.31	41 mm	50 mm	Metric
DAJCM425T-2020IN	1-5/8"-12	1-5/8"-12	27.38	27.38	40.39	67.31	1-5/8"	1-7/8"	Imperial
DAJCM425T-2424	1-7/8"-12	1-7/8"-12	33.32	33.32	45.21	67.82	48 mm	55 mm	Metric
DAJCM425T-2424IN	1-7/8"-12	1-7/8"-12	33.32	33.32	45.21	67.82	1-7/8"	2-1/8"	Imperial
DAJCM425T-3232	2-1/2"-12	2-1/2"-12	45.24	45.24	56.39	73.91	65 mm	70 mm	Metric
DAJCM425T-3232IN	2-1/2"-12	2-1/2"-12	45.24	45.24	56.39	73.91	2-1/2"	2-3/4"	Imperial



DAJCM4251

45° Elbow Connector JIC Male – JIC Swivel Female

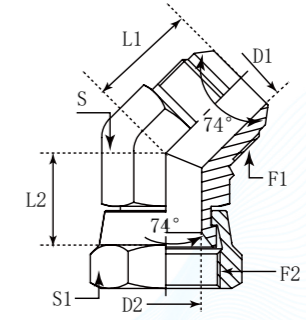
D	A	JC	M	4	251
Company	Product Range	Thread Types	Connection Type	Adaptor Structure	Connection Type
DME	Adaptor	JIC UNF	Male	45° Elbow	JIC Swivel Female

German Technology Equipment

SHIELD FLEX

New-Standard

- DME&JDE Code: **DAJCM4251**
- Product Type: **Hydraulic adaptor**
- Standard: **JIC and SAE-ORB**
- Structure: **45° Elbow**
- Connection Type: **Male x Swivel Female**
- Thread Types: **UNF x UNF**



PART NUMBER	F1 (Thread)	F2 (Thread)	L1	L2	D1	D2	S	S1	Hex
#	UNF	UNF	mm	mm	mm	mm	mm	mm	-
DAJCM4251-0202	5/16"-24	5/16"-24	17.50	15.95	1.57	1.57	11 mm	11 mm	Metric
DAJCM4251-0202IN	5/16"-24	5/16"-24	17.50	15.95	1.57	1.57	7/16"	7/16"	Imperial
DAJCM4251-0303	3/8"-24	3/8"-24	17.50	15.95	3.18	3.18	11 mm	12 mm	Metric
DAJCM4251-0303IN	3/8"-24	3/8"-24	17.50	15.95	3.18	3.18	7/16"	1/2"	Imperial
DAJCM4251-0404	7/16"-20	7/16"-20	18.30	14.98	4.37	4.37	11 mm	14 mm	Metric
DAJCM4251-0404IN	7/16"-20	7/16"-20	18.30	14.98	4.37	4.37	7/16"	9/16"	Imperial
DAJCM4251-0505	1/2"-20	1/2"-20	19.60	15.60	5.94	5.94	14 mm	17 mm	Metric
DAJCM4251-0505IN	1/2"-20	1/2"-20	19.60	15.60	5.94	5.94	9/16"	5/8"	Imperial
DAJCM4251-0606	9/16"-18	9/16"-18	21.10	18.92	7.54	7.54	14 mm	19 mm	Metric
DAJCM4251-0606IN	9/16"-18	9/16"-18	21.10	18.92	7.54	7.54	9/16"	11/16"	Imperial
DAJCM4251-0707	5/8"-18	5/8"-18	22.00	19.60	7.14	7.14	19 mm	19 mm	Metric
DAJCM4251-0707IN	5/8"-18	5/8"-18	22.00	19.60	7.14	7.14	3/4"	3/4"	Imperial
DAJCM4251-0806	3/4"-16	9/16"-18	24.89	20.50	9.93	7.54	19 mm	19 mm	Metric
DAJCM4251-0808	3/4"-16	3/4"-16	24.89	21.79	9.93	9.93	19 mm	22 mm	Metric
DAJCM4251-0806IN	3/4"-16	9/16"-18	24.89	20.50	9.93	7.54	3/4"	11/16"	Imperial
DAJCM4251-0808IN	3/4"-16	3/4"-16	24.89	21.79	9.93	9.93	3/4"	7/8"	Imperial
DAJCM4251-1008	7/8"-14	3/4"-16	28.20	23.11	12.29	9.93	22 mm	22 mm	Metric
DAJCM4251-1010	7/8"-14	7/8"-14	28.19	23.88	12.29	12.29	22 mm	27 mm	Metric
DAJCM4251-1008IN	7/8"-14	3/4"-16	28.20	23.11	12.29	9.93	7/8"	7/8"	Imperial
DAJCM4251-1010IN	7/8"-14	7/8"-14	28.19	23.88	12.29	12.29	7/8"	1"	Imperial
DAJCM4251-1212	1-1/16"-12	1-1/16"-12	32.51	23.88	15.47	15.47	27 mm	32 mm	Metric
DAJCM4251-1212IN	1-1/16"-12	1-1/16"-12	32.51	23.88	15.47	15.47	1-1/16"	1-1/4"	Imperial
DAJCM4251-1414	1-3/16"-12	1-3/16"-12	36.80	26.40	18.26	18.26	33 mm	36 mm	Metric
DAJCM4251-1414IN	1-3/16"-12	1-3/16"-12	36.80	26.40	18.26	18.26	1-5/16"	1-3/8"	Imperial
DAJCM4251-1616	1-5/16"-12	1-5/16"-12	37.34	29.36	21.44	21.44	33 mm	41 mm	Metric
DAJCM4251-1616IN	1-5/16"-12	1-5/16"-12	37.34	29.36	21.44	21.44	1-5/16"	1-1/2"	Imperial
DAJCM4251-2020	1-5/8"-12	1-5/8"-12	40.40	35.66	27.38	27.42	41 mm	50 mm	Metric
DAJCM4251-2020IN	1-5/8"-12	1-5/8"-12	40.40	35.66	27.38	27.42	1-5/8"	2"	Imperial
DAJCM4251-2424	1-7/8"-12	1-7/8"-12	45.20	38.50	33.32	33.32	48 mm	55 mm	Metric
DAJCM4251-2424IN	1-7/8"-12	1-7/8"-12	45.20	38.50	33.32	33.32	1-7/8"	2-1/4"	Imperial
DAJCM4251-3232	2-1/2"-12	2-1/2"-12	56.39	50.04	45.24	45.24	65 mm	75 mm	Metric
DAJCM4251-3232IN	2-1/2"-12	2-1/2"-12	56.39	50.04	45.24	45.24	2-1/2"	2-7/8"	Imperial



DAJCM4081

45° Elbow Connector JIC Male – BSPP Swivel Female 60°

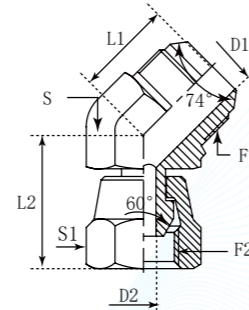
D	A	JC	M	4	081
Company	Product Range	Thread Types	Connection Type	Adaptor Structure	Connection Type
DME	Adaptor	JIC UNF	Male	45° Elbow	BSPP Swivel Female

German Technology Equipment

SHIELD FLEX

New-Standard

- DME&JDE Code: **DAJCM4081**
- Product Type: **Hydraulic adaptor**
- Standard: **JIC and SAE-ORB**
- Structure: **45° Elbow**
- Connection Type: **Male x Swivel Female**
- Thread Types: **UNF x BSPP 60°**



PART NUMBER	F1 (Thread)	F2 (Thread)	D1	D2	L1	L2	S	S1
#	UNF	BSPP	mm	mm	mm	mm	mm	mm
DAJCM4081-0404	7/16"-20	1/4"-19	4.37	4.37	20.00	20.00	11.00	19.00
DAJCM4081-0606	9/16"-18	3/8"-19	7.54	7.54	24.00	24.00	19.00	22.00
DAJCM4081-0808	3/4"-16	1/2"-14	9.90	11.10	30.00	30.00	19.00	27.00
DAJCM4081-1212	1-1/16"-12	3/4"-14	15.47	16.70	38.00	38.00	27.00	32.00
DAJCM4081-1616	1-5/16"-12	1"-11	21.44	21.44	42.00	42.00	33.00	41.00

DAJC14305

45° Adjustable Elbow JIC Swivel Female – SAE Male O Ring

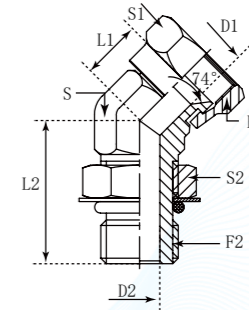
D	A	JC	1	4	30	5
Company	Product Range	Thread Types	Connection Type	Adaptor Structure	Thread Types	Connection Type
DME	Adaptor	JIC UNF	Swivel Female	45° Elbow	SAE UNF	Male O Ring

German Technology Equipment

SHIELD FLEX

New-Standard

- DME&JDE Code: **DAJC14305**
- Product Type: **Hydraulic adaptor**
- Standard: **JIC and SAE-ORB**
- Structure: **45° Elbow**
- Connection Type: **Adjustable Swivel Female x Male**
- Thread Types: **UNF x UNF**
- Sealing Method: **O Ring**



PART NUMBER	F1 (Thread)	F2 (Thread)	L1	L2	D1	D2	S	S1	S1	Hex
#	UNF	UNF	mm	mm	mm	mm	mm	mm	mm	-
DAJC14305-0404	7/16"-20	7/16"-20	26.70	14.98	4.37	4.37	11 mm	14 mm	14 mm	Metric
DAJC14305-0404IN	7/16"-20	7/16"-20	26.70	14.98	4.37	4.37	7/16"	9/16"	9/16"	Imperial
DAJC14305-0606	9/16"-18	9/16"-18	29.00	18.90	7.54	7.54	14 mm	17 mm	17 mm	Metric
DAJC14305-0606IN	9/16"-18	9/16"-18	29.00	18.90	7.54	7.54	9/16"	11/16"	11/16"	Imperial
DAJC14305-0808	3/4"-16	3/4"-16	33.00	21.80	9.93	9.93	19 mm	22 mm	22 mm	Metric
DAJC14305-0808IN	3/4"-16	3/4"-16	33.00	21.80	9.93	9.93	3/4"	7/8"	7/8"	Imperial
DAJC14305-1212	1-1/16"-12	1-1/16"-12	43.90	23.90	15.47	15.47	27 mm	32 mm	32 mm	Metric
DAJC14305-1212IN	1-1/16"-12	1-1/16"-12	43.90	23.90	15.47	15.47	1-1/16"	1-1/4"	1-1/4"	Imperial
DAJC14305-1616	1-5/16"-12	1-5/16"-12	47.20	29.36	21.44	21.44	33 mm	41 mm	41 mm	Metric
DAJC14305-1616IN	1-5/16"-12	1-5/16"-12	47.20	29.36	21.44	21.44	1-5/16"	1-1/2"	1-1/2"	Imperial
DAJC14305-2020	1-5/8"-12	1-5/8"-12	48.50	35.66	27.38	27.42	41 mm	50 mm	50 mm	Metric
DAJC14305-2020IN	1-5/8"-12	1-5/8"-12	48.50	35.66	27.38	27.42	1-5/8"	1-7/8"	1-7/8"	Imperial



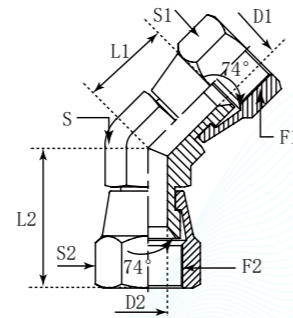
DAJCM9251

45° Elbow Connector JIC Swivel Female – JIC Swivel Female

D	A	JC	1	4	251
Company	Product Range	Thread Types	Connection Type	Adaptor Structure	Connection Type
DME	Adaptor	JIC UNF	Swivel Female	45° Elbow	JIC Swivel Female



- DME&JDE Code: **DAJCM9251**
- Product Type: **Hydraulic adaptor**
- Standard: **JIC and SAE-ORB**
- Structure: **45° Elbow**
- Connection Type: **Swivel Female x Swivel Female**
- Thread Types: **UNF x UNF**



PART NUMBER	F1 (Thread)	F2 (Thread)	C	L	D1	D2	S	S1	S2	Hex
#	UNF	UNF	mm	mm	mm	mm	-	-	-	-
DAJCM9251-0606	9/16"-18	9/16"-18	7.50	7.50	18.90	18.90	14 mm	19 mm	19 mm	Metric
DAJCM9251-0606IN	9/16"-18	9/16"-18	7.50	7.50	18.90	18.90	9/16"	3/4"	3/4"	Imperial
DAJCM9251-0808	3/4"-16	3/4"-16	9.90	9.90	21.80	21.80	19 mm	22 mm	22 mm	Metric
DAJCM9251-0808IN	3/4"-16	3/4"-16	9.90	9.90	21.80	21.80	3/4"	13/16"	13/16"	Imperial
DAJCM9251-1010	7/8"-14	7/8"-14	12.30	12.30	23.90	23.90	22 mm	27 mm	27 mm	Metric
DAJCM9251-1010IN	7/8"-14	7/8"-14	12.30	12.30	23.90	23.90	13/16"	1-1/8"	1-1/8"	Imperial
DAJCM9251-1212	1-1/16"-12	1-1/16"-12	15.47	15.47	23.90	23.90	27 mm	32 mm	32 mm	Metric
DAJCM9251-1212IN	1-1/16"-12	1-1/16"-12	15.47	15.47	23.90	23.90	1-1/8"	1-1/4"	1-1/4"	Imperial
DAJCM9251-1616	1-5/16"-12	1-5/16"-12	21.50	21.50	29.30	29.30	33 mm	41 mm	41 mm	Metric
DAJCM9251-1616IN	1-5/16"-12	1-5/16"-12	21.50	21.50	29.30	29.30	1-5/16"	1-1/2"	1-1/2"	Imperial

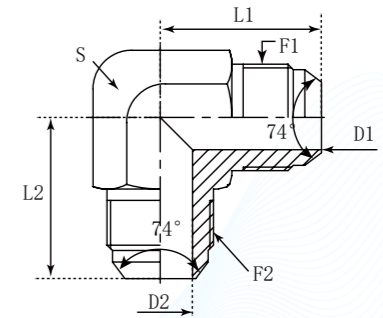
DAJCM925M

90° Elbow Connector JIC Male – JIC Male

D	A	JC	M	9	25	M
Company	Product Range	Thread Types	Connection Type	Adaptor Structure	Connection Type	Connection Type
DME	Adaptor	JIC UNF	Male	90° Elbow	JIC UNF	Male



- DME&JDE Code: **DAJCM925M**
- Product Type: **Hydraulic adaptor**
- Standard: **JIC and SAE-ORB**
- Structure: **90° Elbow**
- Connection Type: **Male x Male**
- Thread Types: **UNF x UNF**



PART NUMBER	F1 (Thread)	F2 (Thread)	L1	L2	D1	D2	S	Hex
#	UNF	UNF	mm	mm	mm	mm	mm	-
DAJCM925M-0202	5/16"-24	5/16"-24	19.60	19.60	1.57	1.57	11 mm	Metric
DAJCM925M-0202IN	5/16"-24	5/16"-24	19.60	19.60	1.57	1.57	7/16"	Imperial
DAJCM925M-0303	3/8"-24	3/8"-24	21.10	21.10	3.18	3.18	11 mm	Metric
DAJCM925M-0303IN	3/8"-24	3/8"-24	21.10	21.10	3.18	3.18	7/16"	Imperial
DAJCM925M-0404	7/16"-20	7/16"-20	22.61	22.61	4.37	4.37	11 mm	Metric
DAJCM925M-0404IN	7/16"-20	7/16"-20	22.61	22.61	4.37	4.37	7/16"	Imperial
DAJCM925M-0504	1/2"-20	7/16"-20	24.10	24.10	5.94	4.37	14 mm	Metric
DAJCM925M-0505	1/2"-20	1/2"-20	24.10	24.10	5.94	5.94	14 mm	Metric
DAJCM925M-0504IN	1/2"-20	7/16"-20	24.10	24.10	5.94	4.37	9/16"	Imperial
DAJCM925M-0505IN	1/2"-20	1/2"-20	24.10	24.10	5.94	5.94	9/16"	Imperial
DAJCM925M-0604	9/16"-18	7/16"-20	26.90	26.70	7.54	4.37	14 mm	Metric
DAJCM925M-0605	9/16"-18	1/2"-20	26.90	26.70	7.54	5.94	14 mm	Metric
DAJCM925M-0606	9/16"-18	9/16"-18	26.92	26.92	7.54	7.54	14 mm	Metric
DAJCM925M-0604IN	9/16"-18	7/16"-20	26.90	26.70	7.54	4.37	9/16"	Imperial
DAJCM925M-0605IN	9/16"-18	1/2"-20	26.90	26.70	7.54	5.94	9/16"	Imperial
DAJCM925M-0606IN	9/16"-18	9/16"-18	26.92	26.92	7.54	7.54	9/16"	Imperial
DAJCM925M-0806	3/4"-16	9/16"-18	31.80	29.00	9.93	7.54	19 mm	Metric
DAJCM925M-0808	3/4"-16	3/4"-16	31.80	31.80	9.93	9.93	19 mm	Metric
DAJCM925M-0806IN	3/4"-16	9/16"-18	31.80	29.00	9.93	7.54	3/4"	Imperial
DAJCM925M-0808IN	3/4"-16	3/4"-16	31.80	31.80	9.93	9.93	3/4"	Imperial
DAJCM925M-1008	7/8"-14	3/4"-16	36.80	33.80	12.29	9.93	22 mm	Metric
DAJCM925M-1010	7/8"-14	7/8"-14	36.80	36.80	12.29	12.29	22 mm	Metric
DAJCM925M-1008IN	7/8"-14	3/4"-16	36.80	33.80	12.29	9.93	7/8"	Imperial
DAJCM925M-1010IN	7/8"-14	7/8"-14	36.80	36.80	12.29	12.29	7/8"	Imperial
DAJCM925M-1208	1-1/16"-12	3/4"-16	42.20	36.10	15.47	9.93	27 mm	Metric
DAJCM925M-1210	1-1/16"-12	7/8"-14	42.16	39.12	15.47	12.29	27 mm	Metric
DAJCM925M-1212	1-1/16"-12	1-1/16"-12	42.20	42.20	15.47	15.47	27 mm	Metric
DAJCM925M-1208IN	1-1/16"-12	3/4"-16	42.20	36.10	15.47	9.93	1-1/16"	Imperial
DAJCM925M-1210IN	1-1/16"-12	7/8"-14	42.16	39.12	15.47	12.29	1-1/16"	Imperial
DAJCM925M-1212IN	1-1/16"-12	1-1/16"-12	42.20	42.20	15.47	15.47	1-1/16"	Imperial
DAJCM925M-1414	1-3/16"-12	1-3/16"-12	45.70	45.70	18.26	18.26	33 mm	Metric
DAJCM925M-1414IN	1-3/16"-12	1-3/16"-12	45.70	45.70	18.26	18.26	1-5/16"	Imperial
DAJCM925M-1612	1-5/16"-12	1-1/16"-12	46.00	44.70	21.44	15.47	33 mm	Metric
DAJCM925M-1616	1-5/16"-12	1-5/16"-12	46.00	46.00	21.44	21.44	33 mm	Metric
DAJCM925M-1612IN	1-5/16"-12	1-1/16"-12	46.00	44.70	21.44	15.47	1-5/16"	Imperial
DAJCM925M-1616IN	1-5/16"-12	1-5/16"-12	46.00	46.00	21.44	21.44	1-5/16"	Imperial
DAJCM925M-2016	1-5/8"-12	1-5/16"-12	52.30	51.00	27.38	21.44	41 mm	Metric
DAJCM925M-2020	1-5/8"-12	1-5/8"-12	52.30	52.30	27.38	27.38	41 mm	Metric
DAJCM925M-2016IN	1-5/8"-12	1-5/16"-12	52.30	51.00	27.38	21.44	1-5/8"	Imperial
DAJCM925M-2020IN	1-5/8"-12	1-5/8"-12	52.30	52.30	27.38	27.38	1-5/8"	Imperial
DAJCM925M-2424	1-7/8"-12	1-7/8"-12	59.20	59.20	33.32	33.32	48 mm	Metric
DAJCM925M-2424IN	1-7/8"-12	1-7/8"-12	59.20	59.20	33.32	33.32	1-7/8"	Imperial
DAJCM925M-3232	2-1/2"-12	2-1/2"-12	77.70	77.70	45.24	45.24	65 mm	Metric
DAJCM925M-3232IN	2-1/2"-12	2-1/2"-12	77.70	77.70	45.24	45.24	2-1/2"	Imperial

DAJCM9305

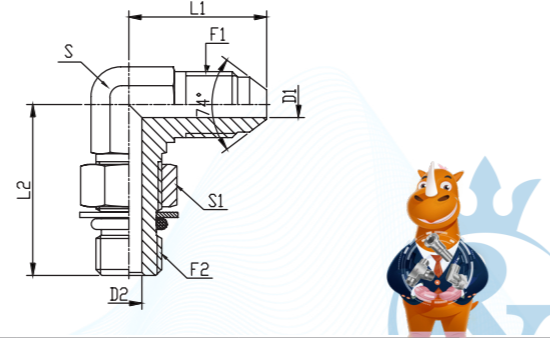
90° Adjustable Elbow JIC Male – SAE Male + O Ring

D	A	JC	M	9	30	5
Company	Product Range	Thread Types	Connection Type	Adaptor Structure	Thread Types	Connection Type
DME	Adaptor	JIC UNF	Male	90° Elbow	SAE	Male O Ring

German Technology Equipment

New-Standard

- DME&JDE Code:** DAJCM9305
- Product Type:** Hydraulic adaptor
- Standard:** JIC and SAE-ORB
- Structure:** 90° Elbow
- Connection Type:** Adjustable Male × Male
- Thread Types:** UNF × UNF
- Sealing Method:** O Ring



PART NUMBER	F1 (Thread)	F2 (Thread)	L1	L2	D1	D2	S	S1	Hex
#	UNF	UNF	mm	mm	mm	mm	-	-	-
DAJCM9305-0202	5/16"-24	5/16"-24	19.60	23.90	1.57	1.57	11 mm	11 mm	Metric
DAJCM9305-0204	5/16"-24	7/16"-20	19.80	26.20	1.57	4.37	11 mm	14 mm	Metric
DAJCM9305-0202IN	5/16"-24	5/16"-24	19.60	23.90	1.57	1.57	7/16"	7/16"	Imperial
DAJCM9305-0204IN	5/16"-24	7/16"-20	19.80	26.20	1.57	4.37	7/16"	9/16"	Imperial
DAJCM9305-0302	3/8"-24	5/16"-20	21.10	23.90	3.18	1.57	11 mm	11 mm	Metric
DAJCM9305-0303	3/8"-24	3/8"-24	21.10	23.90	3.18	3.18	11 mm	12 mm	Metric
DAJCM9305-0304	3/8"-24	7/16"-20	21.10	26.20	3.18	4.37	11 mm	14 mm	Metric
DAJCM9305-0306	3/8"-24	9/16"-18	24.70	31.80	3.18	7.54	14 mm	19 mm	Metric
DAJCM9305-0302IN	3/8"-24	5/16"-20	21.10	23.90	3.18	1.57	7/16"	7/16"	Imperial
DAJCM9305-0303IN	3/8"-24	3/8"-24	21.10	23.90	3.18	3.18	7/16"	1/2"	Imperial
DAJCM9305-0304IN	3/8"-24	7/16"-20	21.10	26.20	3.18	4.37	7/16"	9/16"	Imperial
DAJCM9305-0306IN	3/8"-24	9/16"-18	24.70	31.80	3.18	7.54	9/16"	11/16"	Imperial
DAJCM9305-0402	7/16"-20	5/16"-24	22.61	23.37	4.37	1.57	11 mm	11 mm	Metric
DAJCM9305-0403	7/16"-20	3/8"-24	22.60	23.90	4.37	3.18	11 mm	12 mm	Metric
DAJCM9305-0404	7/16"-20	7/16"-20	22.60	26.16	4.37	4.37	11 mm	14 mm	Metric
DAJCM9305-0405	7/16"-20	1/2"-20	24.10	28.70	4.37	5.94	14 mm	17 mm	Metric
DAJCM9305-0406	7/16"-20	9/16"-18	26.70	31.75	4.37	7.54	14 mm	19 mm	Metric
DAJCM9305-0408	7/16"-20	3/4"-16	28.50	36.80	4.37	9.93	19 mm	22 mm	Metric
DAJCM9305-0410	7/16"-20	7/8"-14	31.00	43.20	4.37	12.29	22 mm	27 mm	Metric
DAJCM9305-0412	7/16"-20	1-1/16"-12	33.02	49.28	4.37	15.47	27 mm	32 mm	Metric
DAJCM9305-0402IN	7/16"-20	5/16"-24	22.61	23.37	4.37	1.57	7/16"	7/16"	Imperial
DAJCM9305-0403IN	7/16"-20	3/8"-24	22.60	23.90	4.37	3.18	7/16"	1/2"	Imperial
DAJCM9305-0404IN	7/16"-20	7/16"-20	22.60	26.16	4.37	4.37	7/16"	9/16"	Imperial
DAJCM9305-0405IN	7/16"-20	1/2"-20	24.10	28.70	4.37	5.94	9/16"	5/8"	Imperial
DAJCM9305-0406IN	7/16"-20	9/16"-18	26.70	31.75	4.37	7.54	9/16"	11/16"	Imperial
DAJCM9305-0408IN	7/16"-20	3/4"-16	28.50	36.80	4.37	9.93	3/4"	7/8"	Imperial
DAJCM9305-0410IN	7/16"-20	7/8"-14	31.00	43.20	4.37	12.29	7/8"	1"	Imperial
DAJCM9305-0412IN	7/16"-20	1-1/16"-12	33.02	49.28	4.37	15.47	1-1/16"	1-1/4"	Imperial
DAJCM9305-0504	1/2"-20	7/16"-20	24.10	28.70	5.94	4.37	14 mm	14 mm	Metric

Web: <https://www.dmejde.com>
E-mail: info@dmejde.com



Certificate:

DAJCM9305-0505	1/2"-20	1/2"-20	24.10	28.70	5.94	5.94	14 mm	17 mm	Metric
DAJCM9305-0506	1/2"-20	9/16"-18	26.70	31.75	5.94	7.54	14 mm	19 mm	Metric
DAJCM9305-0508	1/2"-20	3/4"-16	28.50	36.80	5.94	9.93	19 mm	22 mm	Metric
DAJCM9305-0504IN	1/2"-20	7/16"-20	24.10	28.70	5.94	4.37	9/16"	9/16"	Imperial
DAJCM9305-0505IN	1/2"-20	1/2"-20	24.10	28.70	5.94	5.94	9/16"	5/8"	Imperial
DAJCM9305-0506IN	1/2"-20	9/16"-18	26.70	31.75	5.94	7.54	9/16"	11/16"	Imperial
DAJCM9305-0508IN	1/2"-20	3/4"-16	28.50	36.80	5.94	9.93	3/4"	7/8"	Imperial
DAJCM9305-0604	9/16"-18	7/16"-20	26.90	30.20	7.54	4.37	14 mm	14 mm	Metric
DAJCM9305-0605	9/16"-18	1/2"-20	26.90	30.20	7.54	5.94	14 mm	17 mm	Metric
DAJCM9305-0606	9/16"-18	9/16"-18	26.92	31.80	7.54	7.54	14 mm	19 mm	Metric
DAJCM9305-0608	9/16"-18	3/4"-16	28.96	36.83	7.54	9.93	19 mm	22 mm	Metric
DAJCM9305-0610	9/16"-18	7/8"-14	31.00	43.20	7.54	12.29	22 mm	27 mm	Metric
DAJCM9305-0612	9/16"-18	1-1/16"-12	33.30	49.28	7.54	15.47	27 mm	32 mm	Metric
DAJCM9305-0604IN	9/16"-18	7/16"-20	26.90	30.20	7.54	4.37	9/16"	9/16"	Imperial
DAJCM9305-0605IN	9/16"-18	1/2"-20	26.90	30.20	7.54	5.94	9/16"	5/8"	Imperial
DAJCM9305-0606IN	9/16"-18	9/16"-18	26.92	31.80	7.54	7.54	9/16"	11/16"	Imperial
DAJCM9305-0608IN	9/16"-18	3/4"-16	28.96	36.83	7.54	9.93	3/4"	7/8"	Imperial
DAJCM9305-0610IN	9/16"-18	7/8"-14	31.00	43.20	7.54	12.29	7/8"	1"	Imperial
DAJCM9305-0612IN	9/16"-18	1-1/16"-12	33.30	49.28	7.54	15.47	1-1/16"	1-1/4"	Imperial
DAJCM9305-0804	3/4"-16	7/16"-20	31.80	32.00	9.93	4.37	19 mm	14 mm	Metric
DAJCM9305-0805	3/4"-16	1/2"-20	31.80	33.80	9.93	5.94	19 mm	17 mm	Metric
DAJCM9305-0806	3/4"-16	9/16"-18	31.80	33.80	9.93	7.54	19 mm	19 mm	Metric
DAJCM9305-0808	3/4"-16	3/4"-16	31.75	36.83	9.93	9.93	19 mm	22 mm	Metric
DAJCM9305-0810	3/4"-16	7/8"-14	33.80	43.20	9.93	12.29	22 mm	27 mm	Metric
DAJCM9305-0812	3/4"-16	1-1/16"-12	36.10	49.30	9.93	15.47	27 mm	32 mm	Metric
DAJCM9305-0816	3/4"-16	1-5/16"-12	38.60	52.10	9.93	21.44	33 mm	41 mm	Metric
DAJCM9305-0804IN	3/4"-16	7/16"-20	31.80	32.00	9.93	4.37	3/4"	9/16"	Imperial
DAJCM9305-0805IN	3/4"-16	1/2"-20	31.80	33.80	9.93	5.94	3/4"	5/8"	Imperial
DAJCM9305-0806IN	3/4"-16	9/16"-18	31.80	33.80	9.93	7.54	3/4"	11/16"	Imperial
DAJCM9305-0808IN	3/4"-16	3/4"-16	31.75	36.83	9.93	9.93	3/4"	7/8"	Imperial
DAJCM9305-0810IN	3/4"-16	7/8"-14	33.80	43.20	9.93	12.29	7/8"	1"	Imperial
DAJCM9305-0812IN	3/4"-16	1-1/16"-12	36.10	49.30	9.93	15.47	1-1/16"	1-1/4"	Imperial
DAJCM9305-0816IN	3/4"-16	1-5/16"-12	38.60	52.10	9.93	21.44	1-5/16"	1-1/2"	Imperial
DAJCM9305-1006	7/8"-14	9/16"-18	36.80	35.80	12.29	7.54	22 mm	19 mm	Metric
DAJCM9305-1008	7/8"-14	3/4"-16	36.83	39.12	12.29	9.93	22 mm	22 mm	Metric
DAJCM9305-1010	7/8"-14	7/8"-14	36.83	43.18	12.29	12.29	22 mm	27 mm	Metric
DAJCM9305-1012	7/8"-14	1-1/16"-12	39.10	49.30	12.29	15.47	27 mm	32 mm	Metric
DAJCM9305-1016	7/8"-14	1-5/16"-12	41.70	52.10	12.29	21.44	33 mm	41 mm	Metric
DAJCM9305-1006IN	7/8"-14	9/16"-18	36.80	35.80	12.29	7.54	7/8"	11/16"	Imperial
DAJCM9305-1008IN	7/8"-14	3/4"-16	36.83	39.12	12.29	9.93	7/8"	7/8"	Imperial
DAJCM9305-1010IN	7/8"-14	7/8"-14	36.83	43.18	12.29	12.29	7/8"	1"	Imperial
DAJCM9305-1012IN	7/8"-14	1-1/16"-12	39.10	49.30	12.29	15.47	1-1/16"	1-1/4"	Imperial
DAJCM9305-1016IN	7/8"-14	1-5/16"-12	41.70	52.10	12.29	21.44	1-5/16"	1-1/2"	Imperial
DAJCM9305-1206	1-1/16"-12	9/16"-18	42.16	37.85	15.47	7.54	27 mm	19 mm	Metric
DAJCM9305-1208	1-1/16"-12	3/4"-16	42.20	41.20	15.47	9.93	27 mm	22 mm	Metric
DAJCM9305-1210	1-1/16"-12	7/8"-14	42.20	45.20	15.47	12.29	27 mm	27 mm	Metric
DAJCM9305-1212	1-1/16"-12	1-1/16"-12	42.16	49.28	15.47	15.47	27 mm	32 mm	Metric
DAJCM9305-1214	1-1/16"-12	1-3/16"-12	45.00	50.80	15.47	18.26	33 mm	36 mm	Metric
DAJCM9305-1216	1-1/16"-12	1-5/16"-12	44.70	52.10	15.47	21.44	33 mm	41 mm	Metric
DAJCM9305-1220	1-1/16"-12	1-5/8"-12	50.00	57.20	15.47	27.38	41 mm	50 mm	Metric
DAJCM9305-1224	1-1/16"-12	1-7/8"-12	53.60	60.71	15.47	33.32	48 mm	55 mm	Metric
DAJCM9305-1206IN	1-1/16"-12	9/16"-18	42.16	37.85	15.47	7.54	1-1/16"	11/16"	Imperial

Certificate:

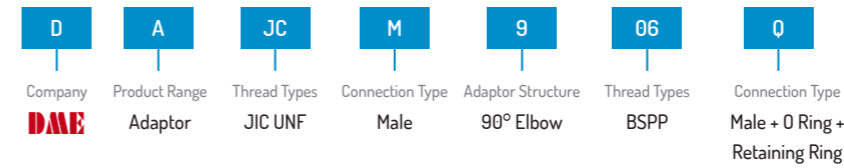
Web: <https://www.dmejde.com>
E-mail: info@dmejde.com



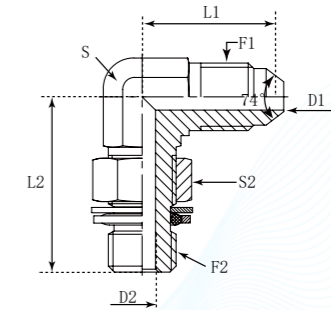
DAJCM9305-1208IN	1-1/16"-12	3/4"-16	42.20	41.20	15.47	9.93	1-1/16"	7/8"	Imperial
DAJCM9305-1210IN	1-1/16"-12	7/8"-14	42.20	45.20	15.47	12.29	1-1/16"	1"	Imperial
DAJCM9305-1212IN	1-1/16"-12	1-1/16"-12	42.16	49.28	15.47	15.47	1-1/16"	1-1/4"	Imperial
DAJCM9305-1214IN	1-1/16"-12	1-3/16"-12	45.00	50.80	15.47	18.26	1-5/16"	1-3/8"	Imperial
DAJCM9305-1216IN	1-1/16"-12	1-5/16"-12	44.70	52.10	15.47	21.44	1-5/16"	1-1/2"	Imperial
DAJCM9305-1220IN	1-1/16"-12	1-5/8"-12	50.00	57.20	15.47	27.38	1-5/8"	1-7/8"	Imperial
DAJCM9305-1224IN	1-1/16"-12	1-7/8"-12	53.60	60.71	15.47	33.32	1-7/8"	2-1/8"	Imperial
DAJCM9305-1412	1-3/16"-12	1-1/16"-12	45.70	50.80	18.26	15.47	33 mm	32 mm	Metric
DAJCM9305-1414	1-3/16"-12	1-3/16"-12	45.70	50.80	18.26	18.26	33 mm	36 mm	Metric
DAJCM9305-1416	1-3/16"-12	1-5/16"-12	45.50	52.10	18.26	21.44	33 mm	41 mm	Metric
DAJCM9305-1412IN	1-3/16"-12	1-1/16"-12	45.70	50.80	18.26	15.47	1-5/16"	1-1/4"	Imperial
DAJCM9305-1414IN	1-3/16"-12	1-3/16"-12	45.70	50.80	18.26	18.26	1-5/16"	1-3/8"	Imperial
DAJCM9305-1416IN	1-3/16"-12	1-5/16"-12	45.50	52.10	18.26	21.44	1-5/16"	1-1/2"	Imperial
DAJCM9305-1608	1-5/16"-12	3/4"-16	46.00	43.90	21.44	9.93	33 mm	22 mm	Metric
DAJCM9305-1610	1-5/16"-12	7/8"-14	46.00	48.00	21.44	12.29	33 mm	27 mm	Metric
DAJCM9305-1612	1-5/16"-12	1-1/16"-12	46.00	52.10	21.44	15.47	33 mm	32 mm	Metric
DAJCM9305-1614	1-5/16"-12	1-3/16"-12	46.00	52.00	21.44	18.26	33 mm	36 mm	Metric
DAJCM9305-1616	1-5/16"-12	1-5/16"-12	46.00	52.10	21.44	21.44	33 mm	41 mm	Metric
DAJCM9305-1620	1-5/16"-12	1-5/8"-12	51.10	57.20	21.44	27.38	41 mm	50 mm	Metric
DAJCM9305-1624	1-5/16"-12	1-7/8"-12	54.90	60.70	21.44	33.32	48 mm	55 mm	Metric
DAJCM9305-1608IN	1-5/16"-12	3/4"-16	46.00	43.90	21.44	9.93	1-5/16"	7/8"	Imperial
DAJCM9305-1610IN	1-5/16"-12	7/8"-14	46.00	48.00	21.44	12.29	1-5/16"	1"	Imperial
DAJCM9305-1612IN	1-5/16"-12	1-1/16"-12	46.00	52.10	21.44	15.47	1-5/16"	1-1/4"	Imperial
DAJCM9305-1614IN	1-5/16"-12	1-3/16"-12	46.00	52.00	21.44	18.26	1-5/16"	1-3/8"	Imperial
DAJCM9305-1616IN	1-5/16"-12	1-5/16"-12	46.00	52.10	21.44	21.44	1-5/16"	1-1/2"	Imperial
DAJCM9305-1620IN	1-5/16"-12	1-5/8"-12	51.10	57.20	21.44	27.38	1-5/8"	1-7/8"	Imperial
DAJCM9305-1624IN	1-5/16"-12	1-7/8"-12	54.90	60.70	21.44	33.32	1-7/8"	2-1/8"	Imperial
DAJCM9305-2012	1-5/8"-12	1-1/16"-12	52.30	57.20	27.38	15.47	41 mm	32 mm	Metric
DAJCM9305-2014	1-5/8"-12	1-3/16"-12	52.30	57.20	27.38	18.26	41 mm	36 mm	Metric
DAJCM9305-2016	1-5/8"-12	1-5/16"-12	52.30	57.20	27.38	21.44	41 mm	41 mm	Metric
DAJCM9305-2020	1-5/8"-12	1-5/8"-12	52.30	57.20	27.38	27.38	41 mm	50 mm	Metric
DAJCM9305-2024	1-5/8"-12	1-7/8"-12	55.90	60.70	27.38	33.32	48 mm	55 mm	Metric
DAJCM9305-2032	1-5/8"-12	2-1/2"-12	69.32	73.41	27.38	45.24	65 mm	70 mm	Metric
DAJCM9305-2012IN	1-5/8"-12	1-1/16"-12	52.30	57.20	27.38	15.47	1-5/8"	1-1/4"	Imperial
DAJCM9305-2014IN	1-5/8"-12	1-3/16"-12	52.30	57.20	27.38	18.26	1-5/8"	1-3/8"	Imperial
DAJCM9305-2016IN	1-5/8"-12	1-5/16"-12	52.30	57.20	27.38	21.44	1-5/8"	1-1/2"	Imperial
DAJCM9305-2020IN	1-5/8"-12	1-5/8"-12	52.30	57.20	27.38	27.38	1-5/8"	1-7/8"	Imperial
DAJCM9305-2024IN	1-5/8"-12	1-7/8"-12	55.90	60.70	27.38	33.32	1-7/8"	2-1/8"	Imperial
DAJCM9305-2032IN	1-5/8"-12	2-1/2"-12	69.32	73.41	27.38	45.24	2-1/2"	2-3/4"	Imperial
DAJCM9305-2416	1-7/8"-12	1-5/16"-12	59.20	60.70	33.32	21.44	48 mm	41 mm	Metric
DAJCM9305-2420	1-7/8"-12	1-5/8"-12	59.20	60.70	33.32	27.38	48 mm	50 mm	Metric
DAJCM9305-2424	1-7/8"-12	1-7/8"-12	59.20	60.70	33.32	33.32	48 mm	55 mm	Metric
DAJCM9305-2432	1-7/8"-12	2-1/2"-12	71.30	73.40	33.32	45.24	65 mm	70 mm	Metric
DAJCM9305-2416IN	1-7/8"-12	1-5/16"-12	59.20	60.70	33.32	21.44	1-7/8"	1-1/2"	Imperial
DAJCM9305-2420IN	1-7/8"-12	1-5/8"-12	59.20	60.70	33.32	27.38	1-7/8"	1-7/8"	Imperial
DAJCM9305-2424IN	1-7/8"-12	1-7/8"-12	59.20	60.70	33.32	33.32	1-7/8"	2-1/8"	Imperial
DAJCM9305-2432IN	1-7/8"-12	2-1/2"-12	71.30	73.40	33.32	45.24	2-1/2"	2-3/4"	Imperial
DAJCM9305-3220	2-1/2"-12	1-5/8"-12	77.70	73.40	45.24	27.38	65 mm	50 mm	Metric
DAJCM9305-3224	2-1/2"-12	1-7/8"-12	77.70	73.40	45.24	33.32	65 mm	55 mm	Metric
DAJCM9305-3232	2-1/2"-12	2-1/2"-12	77.70	73.40	45.24	45.24	65 mm	70 mm	Metric
DAJCM9305-3220IN	2-1/2"-12	1-5/8"-12	77.70	73.40	45.24	27.38	2-1/2"	1-7/8"	Imperial
DAJCM9305-3224IN	2-1/2"-12	1-7/8"-12	77.70	73.40	45.24	33.32	2-1/2"	2-1/8"	Imperial
DAJCM9305-3232IN	2-1/2"-12	2-1/2"-12	77.70	73.40	45.24	45.24	2-1/2"	2-3/4"	Imperial

DAJCM906Q

90° Adjustable Elbow JIC Male – BSPP Male + O Ring + Retaining Ring



- DME&JDE Code:** DAJCM906Q
- Product Type:** Hydraulic adaptor
- Standard:** JIC and SAE-ORB
- Structure:** 90° Elbow
- Connection Type:** Adjustable Male x Male
- Thread Types:** UNF x BSPP
- Sealing Method:** O Ring + Retaining Ring



PART NUMBER	F1 (Thread)	F2 (Thread)	D1	D2	L1	L2	S	S1
#	UNF	BSPP	mm	mm	mm	mm	mm	mm
DAJCM906Q-0402	7/16"-20	1/8"-28	4.37	4.40	22.50	26.00	11	14
DAJCM906Q-0404	7/16"-20	1/4"-19	4.37	7.50	27.00	31.50	14	19
DAJCM906Q-0406	7/16"-20	3/8"-19	4.37	9.90	28.50	36.50	19	22
DAJCM906Q-0408	7/16"-20	1/2"-14	4.37	12.30	31.00	43.00	22	27
DAJCM906Q-0502	1/2"-20	1/8"-28	5.94	4.40	24.00	28.00	14	14
DAJCM906Q-0504	1/2"-20	1/4"-19	5.94	7.50	27.00	31.00	14	19
DAJCM906Q-0506	1/2"-20	3/8"-19	5.94	9.90	28.50	36.50	19	22
DAJCM906Q-0602	9/16"-18	1/8"-28	7.54	4.40	27.00	28.00	14	14
DAJCM906Q-0604	9/16"-18	1/4"-19	7.54	7.50	27.00	31.50	14	19
DAJCM906Q-0606	9/16"-18	3/8"-19	7.54	9.90	28.50	36.50	19	22
DAJCM906Q-0608	9/16"-18	1/2"-14	7.54	12.30	31.00	43.00	22	27
DAJCM906Q-0612	9/16"-18	3/4"-14	7.54	15.50	34.50	49.00	27	36
DAJCM906Q-0804	3/4"-16	1/4"-19	9.93	7.50	31.50	33.50	19	19
DAJCM906Q-0806	3/4"-16	3/8"-19	9.93	9.90	31.50	36.50	19	22
DAJCM906Q-0808	3/4"-16	1/2"-14	9.93	12.30	34.00	43.00	22	27
DAJCM906Q-0810	3/4"-16	5/8"-14	9.93	14.00	37.00	48.00	27	30
DAJCM906Q-0812	3/4"-16	3/4"-14	9.93	15.50	37.00	49.00	27	36
DAJCM906Q-0816	3/4"-16	1"-11	9.93	21.50	42.00	52.00	33	41
DAJCM906Q-1006	7/8"-14	3/8"-19	12.29	9.90	36.50	39.50	22	22
DAJCM906Q-1008	7/8"-14	1/2"-14	12.29	12.30	36.50	43.00	22	27
DAJCM906Q-1010	7/8"-14	5/8"-14	12.29	14.00	39.50	46.00	27	30
DAJCM906Q-1012	7/8"-14	3/4"-14	12.29	15.50	39.50	49.00	27	36
DAJCM906Q-1016	7/8"-14	1"-11	12.29	21.50	42.00	52.00	33	41
DAJCM906Q-1206	1-1/16"-12	3/8"-19	15.47	9.90	42.00	40.50	27	22
DAJCM906Q-1208	1-1/16"-12	1/2"-14	15.47	12.30	42.00	45.50	27	27
DAJCM906Q-1212	1-1/16"-12	3/4"-14	15.47	15.50	42.00	49.00	27	36
DAJCM906Q-1216	1-1/16"-12	1"-11	15.47	21.50	44.70	52.00	33	41
DAJCM906Q-1220	1-1/16"-12	1 1/4"-11	15.47	27.50	50.00	57.00	41	50
DAJCM906Q-1612	1-5/16"-12	3/4"-14	21.44	15.50	46.00	52.00	33	36
DAJCM906Q-1616	1-5/16"-12	1"-11	21.44	21.50	46.00	52.00	33	41
DAJCM906Q-1620	1-5/16"-12	1-1/4"-11	21.44	27.50	51.00	57.00	41	50
DAJCM906Q-1624	1-5/16"-12	1-1/2"-11	21.44	33.00	55.00	61.00	48	55
DAJCM906Q-2016	1-5/8"-12	1"-11	27.38	21.50	52.00	57.00	41	41
DAJCM906Q-2020	1-5/8"-12	1-1/4"-11	27.38	27.50	52.00	58.00	41	50
DAJCM906Q-2024	1-5/8"-12	1-1/2"-11	27.38	33.00	56.00	62.00	48	55
DAJCM906Q-2420	1-7/8"-12	1-1/4"-11	33.32	27.50	59.00	61.00	48	50
DAJCM906Q-2424	1-7/8"-12	1-1/2"-11	33.32	33.00	59.00	61.00	48	55
DAJCM906Q-3232	2-1/2"-12	2"-11	45.24	45.00	77.70	73.50	63.5	70

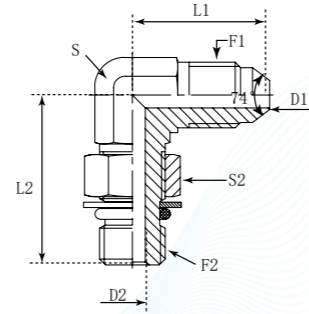
DAJCM9065

90° Adjustable Elbow JIC Male – BSPP Male + O Ring

D	A	JC	M	9	06	5
Company	Product Range	Thread Types	Connection Type	Adaptor Structure	Thread Types	Connection Type
DME	Adaptor	JIC UNF	Male	90° Elbow	BSPP	Male + O Ring



- DME&JDE Code:** DAJCM9065
- Product Type:** Hydraulic adaptor
- Standard:** JIC and SAE-ORB
- Structure:** 90° Elbow
- Connection Type:** Adjustable Male x Male
- Thread Types:** UNF x BSPP
- Sealing Method:** O Ring



PART NUMBER	F1 (Thread)	F2 (Thread)	D1	D2	L1	L2	S	S1
#	UNF	BSPP	mm	mm	mm	mm	mm	mm
DAJCM9065-0402	7/16"-20	1/8"-28	4.37	4.40	22.50	26.00	11	14
DAJCM9065-0404	7/16"-20	1/4"-19	4.37	7.50	27.00	31.50	14	19
DAJCM9065-0406	7/16"-20	3/8"-19	4.37	9.90	28.50	36.50	19	22
DAJCM9065-0408	7/16"-20	1/2"-14	4.37	12.30	31.00	43.00	22	27
DAJCM9065-0502	1/2"-20	1/8"-28	5.94	4.40	24.00	28.00	14	14
DAJCM9065-0504	1/2"-20	1/4"-19	5.94	7.50	27.00	31.00	14	19
DAJCM9065-0506	1/2"-20	3/8"-19	5.94	9.90	28.50	36.50	19	22
DAJCM9065-0602	9/16"-18	1/8"-28	7.54	4.40	27.00	28.00	14	14
DAJCM9065-0604	9/16"-18	1/4"-19	7.54	7.50	27.00	31.50	14	19
DAJCM9065-0606	9/16"-18	3/8"-19	7.54	9.90	28.50	36.50	19	22
DAJCM9065-0608	9/16"-18	1/2"-14	7.54	12.30	31.00	43.00	22	27
DAJCM9065-0612	9/16"-18	3/4"-14	7.54	15.50	34.50	49.00	27	36
DAJCM9065-0804	3/4"-16	1/4"-19	9.93	7.50	31.50	33.50	19	19
DAJCM9065-0806	3/4"-16	3/8"-19	9.93	9.90	31.50	36.50	19	22
DAJCM9065-0808	3/4"-16	1/2"-14	9.93	12.30	34.00	43.00	22	27
DAJCM9065-0810	3/4"-16	5/8"-14	9.93	14.00	37.00	48.00	27	30
DAJCM9065-0812	3/4"-16	3/4"-14	9.93	15.50	37.00	49.00	27	36
DAJCM9065-0816	3/4"-16	1"-11	9.93	21.50	42.00	52.00	33	41
DAJCM9065-1006	7/8"-14	3/8"-19	12.29	9.90	36.50	39.50	22	22
DAJCM9065-1008	7/8"-14	1/2"-14	12.29	12.30	36.50	43.00	22	27
DAJCM9065-1010	7/8"-14	5/8"-14	12.29	14.00	39.50	46.00	27	30
DAJCM9065-1012	7/8"-14	3/4"-14	12.29	15.50	39.50	49.00	27	36
DAJCM9065-1016	7/8"-14	1"-11	12.29	21.50	42.00	52.00	33	41
DAJCM9065-1206	1-1/16"-12	3/8"-19	15.47	9.90	42.00	40.50	27	22
DAJCM9065-1208	1-1/16"-12	1/2"-14	15.47	12.30	42.00	45.50	27	27
DAJCM9065-1212	1-1/16"-12	3/4"-14	15.47	15.50	42.00	49.00	27	36
DAJCM9065-1216	1-1/16"-12	1"-11	15.47	21.50	44.70	52.00	33	41
DAJCM9065-1220	1-1/16"-12	1-1/4"-11	15.47	27.50	50.00	57.00	41	50
DAJCM9065-1612	1-5/16"-12	3/4"-14	21.44	15.50	46.00	52.00	33	36
DAJCM9065-1616	1-5/16"-12	1"-11	21.44	21.50	46.00	52.00	33	41
DAJCM9065-1620	1-5/16"-12	1-1/4"-11	21.44	27.50	51.00	57.00	41	50
DAJCM9065-1624	1-5/16"-12	1-1/2"-11	21.44	33.00	55.00	61.00	48	55
DAJCM9065-2016	1-5/8"-12	1"-11	27.38	21.50	52.00	57.00	41	41
DAJCM9065-2020	1-5/8"-12	1-1/4"-11	27.38	27.50	52.00	58.00	41	50
DAJCM9065-2024	1-5/8"-12	1-1/2"-11	27.38	33.00	56.00	62.00	48	55
DAJCM9065-2420	1-7/8"-12	1-1/4"-11	33.32	27.50	59.00	61.00	48	50
DAJCM9065-2424	1-7/8"-12	1-1/2"-11	33.32	33.00	59.00	61.00	48	55
DAJCM9065-3232	2-1/2"-12	2"-11	45.24	45.00	77.70	73.50	63.5	70



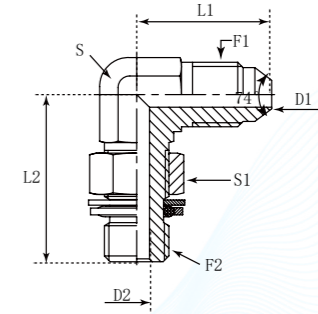
DAJCM952Q

90° Adjustable Elbow JIC Male – Metric Male + O Ring + Retaining Ring

D	A	JC	M	9	52	Q
Company	Product Range	Thread Types	Connection Type	Adaptor Structure	Thread Types	Connection Type
DME	Adaptor	JIC UNF	Male	90° Elbow	Metric	Male + O Ring + Retaining Ring



- DME&JDE Code:** DAJCM952Q
- Product Type:** Hydraulic adaptor
- Standard:** JIC and SAE-ORB
- Structure:** 90° Elbow
- Connection Type:** Adjustable Male x Male
- Thread Types:** UNF x Metric
- Sealing Method:** O Ring + Retaining Ring



PART NUMBER	F1 (Thread)	F2 (Thread)	D1	D2	L1	L2	S	S1
#	UNF	Metric	mm	mm	mm	mm	mm	mm
DAJCM952Q-0410	7/16"-20	M10X1	4.37	3.00	22.50	27.50	11	14
DAJCM952Q-0412	7/16"-20	M12X1.5	4.37	6.00	26.70	32.50	14	17
DAJCM952Q-0414	7/16"-20	M14X1.5	4.37	6.00	27.00	32.50	14	19
DAJCM952Q-0510	1/2"-20	M10X1	5.94	4.00	27.00	28.50	14	14
DAJCM952Q-0512	1/2"-20	M12X1.5	5.94	4.00	27.00	31.50	14	17
DAJCM952Q-0514	1/2"-20	M14X1.5	5.94	6.00	27.00	32.50	14	19
DAJCM952Q-0610	9/16"-18	M10X1	7.54	4.00	27.00	28.50	14	14
DAJCM952Q-0612	9/16"-18	M12X1.5	7.54	4.00	27.00	31.50	14	17
DAJCM952Q-0614	9/16"-18	M14X1.5	7.54	6.00	27.00	32.50	14	19
DAJCM952Q-0616	9/16"-18	M16X1.5	7.54	7.00	28.50	36.50	19	22
DAJCM952Q-0618	9/16"-18	M18X1.5	7.54	9.00	29.00	39.50	19	24
DAJCM952Q-0816	3/4"-16	M16X1.5	9.93	7.00	31.50	36.50	19	22
DAJCM952Q-0818	3/4"-16	M18X1.5	9.93	9.00	31.50	37.00	19	24
DAJCM952Q-0820	3/4"-16	M20X1.5	9.93	12.00	33.80	43.00	22	27
DAJCM952Q-0822	3/4"-16	M22X1.5	9.93	12.00	33.80	43.00	22	27
DAJCM952Q-0827	3/4"-16	M27X2	9.93	15.00	36.00	50.00	27	32
DAJCM952Q-1016	7/8"-14	M16X1.5	12.29	7.00	36.50	39.50	22	22
DAJCM952Q-1018	7/8"-14	M18X1.5	12.29	9.00	36.50	41.50	22	24
DAJCM952Q-1020	7/8"-14	M20X1.5	12.29	12.00	36.50	43.00	22	27
DAJCM952Q-1022	7/8"-14	M22X1.5	12.29	12.00	36.50	43.00	22	27
DAJCM952Q-1026	7/8"-14	M26X1.5	12.29	15.00	40.00	52.00	27	32
DAJCM952Q-1222	1-1/16"-12	M22X1.5	15.47	14.00	42.00	45.50	27	27
DAJCM952Q-1226	1-1/16"-12	M26X1.5	15.47	15.00	42.00	51.50	27	32
DAJCM952Q-1227	1-1/16"-12	M27X2	15.47	15.00	42.00	51.50	27	32
DAJCM952Q-1230	1-1/16"-12	M30X2	15.47	18.00	43.00	51.50	30	38
DAJCM952Q-1627	1-5/16"-12	M27X2	21.44	15.00	46.00	55.00	33	32
DAJCM952Q-1633	1-5/16"-12	M33X2	21.44	20.00	46.00	52.00	33	41
DAJCM952Q-2042	1-5/8"-12	M42X2	27.38	26.00	52.00	60.00	41	50
DAJCM952Q-2448	1-7/8"-12	M48X2	33.32	32.00	59.00	67.00	48	55



DAJCM9525

90° Adjustable Elbow JIC Male – Metric Male + O Ring

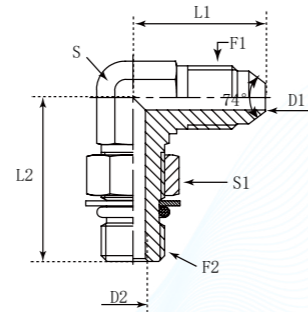
D	A	JC	M	9	52	5
Company	Product Range	Thread Types	Connection Type	Adaptor Structure	Thread Types	Connection Type
DME	Adaptor	JIC UNF	Male	90° Elbow	Metric	Male + O Ring

German Technology Equipment

SHIELD FLEX

New-Standard

- DME&JDE Code: **DAJCM9525**
- Product Type: **Hydraulic adaptor**
- Standard: **JIC and SAE-ORB**
- Structure: **90° Elbow**
- Connection Type: **Adjustable Male × Male**
- Thread Types: **UNF × Metric**
- Sealing Method: **O Ring**



PART NUMBER	F1 (Thread)	F2 (Thread)	D1	D2	L1	L2	S	S1
#	UNF	Metric	mm	mm	mm	mm	mm	mm
DAJCM9525-0410	7/16"-20	M10X1	4.37	3.00	22.50	27.50	11	14
DAJCM9525-0412	7/16"-20	M12X1.5	4.37	6.00	26.70	32.50	14	17
DAJCM9525-0414	7/16"-20	M14X1.5	4.37	6.00	27.00	32.50	14	19
DAJCM9525-0510	1/2"-20	M10X1	5.94	4.00	27.00	28.50	14	14
DAJCM9525-0512	1/2"-20	M12X1.5	5.94	4.00	27.00	31.50	14	17
DAJCM9525-0514	1/2"-20	M14X1.5	5.94	6.00	27.00	32.50	14	19
DAJCM9525-0610	9/16"-18	M10X1	7.54	4.00	27.00	28.50	14	14
DAJCM9525-0612	9/16"-18	M12X1.5	7.54	4.00	27.00	31.50	14	17
DAJCM9525-0614	9/16"-18	M14X1.5	7.54	6.00	27.00	32.50	14	19
DAJCM9525-0616	9/16"-18	M16X1.5	7.54	7.00	28.50	36.50	19	22
DAJCM9525-0618	9/16"-18	M18X1.5	7.54	9.00	29.00	39.50	19	24
DAJCM9525-0816	3/4"-16	M16X1.5	9.93	7.00	31.50	36.50	19	22
DAJCM9525-0818	3/4"-16	M18X1.5	9.93	9.00	31.50	37.00	19	24
DAJCM9525-0820	3/4"-16	M20X1.5	9.93	12.00	33.80	43.00	22	27
DAJCM9525-0822	3/4"-16	M22X1.5	9.93	12.00	33.80	43.00	22	27
DAJCM9525-0827	3/4"-16	M27X2	9.93	15.00	36.00	50.00	27	32
DAJCM9525-1016	7/8"-14	M16X1.5	12.29	7.00	36.50	39.50	22	22
DAJCM9525-1018	7/8"-14	M18X1.5	12.29	9.00	36.50	41.50	22	24
DAJCM9525-1022	7/8"-14	M22X1.5	12.29	12.00	36.50	43.00	22	27
DAJCM9525-1026	7/8"-14	M26X1.5	12.29	15.00	40.00	52.00	27	32
DAJCM9525-1222	1-1/16"-12	M22X1.5	15.47	14.00	42.00	45.50	27	27
DAJCM9525-1226	1-1/16"-12	M26X1.5	15.47	15.00	42.00	51.50	27	32
DAJCM9525-1227	1-1/16"-12	M27X2	15.47	15.00	42.00	51.50	27	32
DAJCM9525-1230	1-1/16"-12	M30X2	15.47	18.00	43.00	51.50	30	38
DAJCM9525-1627	1-5/16"-12	M27X2	21.44	15.00	46.00	55.00	33	32
DAJCM9525-1633	1-5/16"-12	M33X2	21.44	20.00	46.00	52.00	33	41
DAJCM9525-2042	1-5/8"-12	M42X2	27.38	26.00	52.00	60.00	41	50
DAJCM9525-2448	1-7/8"-12	M48X2	33.32	32.00	59.00	67.00	48	55

DAJCM928M

90° Elbow Connector JIC Male – NPTF Male

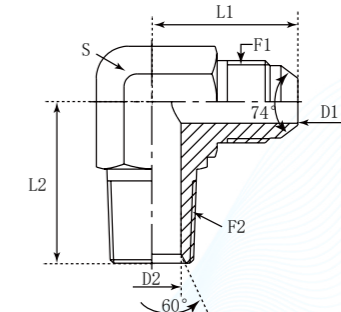
D	A	JC	M	9	28	M
Company	Product Range	Thread Types	Connection Type	Adaptor Structure	Thread Types	Connection Type
DME	Adaptor	JIC UNF	Male	90° Elbow	NPTF	Male

German Technology Equipment

SHIELD FLEX

New-Standard

- DME&JDE Code: **DAJCM928M**
- Product Type: **Hydraulic adaptor**
- Standard: **JIC and SAE-ORB**
- Structure: **90° Elbow**
- Connection Type: **Male × Male**
- Thread Types: **UNF × NPTF**



PART NUMBER	F1 (Thread)	F2 (Thread)	D1	D2	L1	L2	S	Hex
#	UNF	NPTF	mm	mm	mm	mm	-	-
DAJCM928M-0202	5/16"-24	1/8"-27	1.57	4.78	19.56	18.29	11 mm	Metric
DAJCM928M-0204	5/16"-24	1/4"-18	1.57	7.14	23.60	27.69	14 mm	Metric
DAJCM928M-0202IN	5/16"-24	1/8"-27	1.57	4.78	19.56	18.29	7/16"	Imperial
DAJCM928M-0204IN	5/16"-24	1/4"-18	1.57	7.14	23.60	27.69	9/16"	Imperial
DAJCM928M-0302	3/8"-24	1/8"-27	3.18	4.78	21.10	18.30	11 mm	Metric
DAJCM928M-0302IN	3/8"-24	1/8"-27	3.18	4.78	21.10	18.30	7/16"	Imperial
DAJCM928M-0401	7/16"-20	1/16"-27	4.37	2.77	22.61	19.81	11 mm	Metric
DAJCM928M-0402	7/16"-20	1/8"-27	4.37	4.78	22.61	19.81	11 mm	Metric
DAJCM928M-0404	7/16"-20	1/4"-18	4.37	7.14	26.67	27.69	14 mm	Metric
DAJCM928M-0406	7/16"-20	3/8"-18	4.37	10.31	28.50	31.00	19 mm	Metric
DAJCM928M-0408	7/16"-20	1/2"-14	4.37	13.49	30.70	37.30	22 mm	Metric
DAJCM928M-0412	7/16"-20	3/4"-14	4.37	18.26	31.80	40.40	27 mm	Metric
DAJCM928M-0401IN	7/16"-20	1/16"-27	4.37	2.77	22.61	19.81	7/16"	Imperial
DAJCM928M-0402IN	7/16"-20	1/8"-27	4.37	4.78	22.61	19.81	7/16"	Imperial
DAJCM928M-0404IN	7/16"-20	1/4"-18	4.37	7.14	26.67	27.69	9/16"	Imperial
DAJCM928M-0406IN	7/16"-20	3/8"-18	4.37	10.31	28.50	31.00	3/4"	Imperial
DAJCM928M-0408IN	7/16"-20	1/2"-14	4.37	13.49	30.70	37.30	7/8"	Imperial
DAJCM928M-0412IN	7/16"-20	3/4"-14	4.37	18.26	31.80	40.40	1-1/16"	Imperial
DAJCM928M-0502	1/2"-20	1/8"-27	5.94	4.78	24.10	19.80	14 mm	Metric
DAJCM928M-0504	1/2"-20	1/4"-18	5.94	7.14	26.70	27.70	14 mm	Metric
DAJCM928M-0506	1/2"-20	3/8"-18	5.94	10.31	28.50	31.00	19 mm	Metric
DAJCM928M-0508	1/2"-20	1/2"-14	5.94	13.49	30.70	37.30	22 mm	Metric
DAJCM928M-0502IN	1/2"-20	1/8"-27	5.94	4.78	24.10	19.80	9/16"	Imperial



DAJCM928M-0504IN	1/2"-20	1/4"-18	5.94	7.14	26.70	27.70	9/16"	Imperial
DAJCM928M-0506IN	1/2"-20	3/8"-18	5.94	10.31	28.50	31.00	3/4"	Imperial
DAJCM928M-0508IN	1/2"-20	1/2"-14	5.94	13.49	30.70	37.30	7/8"	Imperial
DAJCM928M-0602	9/16"-18	1/8"-27	7.54	4.78	26.90	22.90	14 mm	Metric
DAJCM928M-0604	9/16"-18	1/4"-18	7.54	7.14	26.92	27.69	14 mm	Metric
DAJCM928M-0606	9/16"-18	3/8"-18	7.54	10.31	28.96	30.99	19 mm	Metric
DAJCM928M-0608	9/16"-18	1/2"-14	7.54	13.49	30.99	37.34	22 mm	Metric
DAJCM928M-0612	9/16"-18	3/4"-14	7.54	18.26	33.30	40.40	27 mm	Metric
DAJCM928M-0602IN	9/16"-18	1/8"-27	7.54	4.78	26.90	22.90	9/16"	Imperial
DAJCM928M-0604IN	9/16"-18	1/4"-18	7.54	7.14	26.92	27.69	9/16"	Imperial
DAJCM928M-0606IN	9/16"-18	3/8"-18	7.54	10.31	28.96	30.99	3/4"	Imperial
DAJCM928M-0608IN	9/16"-18	1/2"-14	7.54	13.49	30.99	37.34	7/8"	Imperial
DAJCM928M-0612IN	9/16"-18	3/4"-14	7.54	18.26	33.30	40.40	1-1/16"	Imperial
DAJCM928M-0802	3/4"-16	1/8"-27	9.93	4.78	31.80	26.20	19 mm	Metric
DAJCM928M-0804	3/4"-16	1/4"-18	9.93	7.14	31.80	31.00	19 mm	Metric
DAJCM928M-0806	3/4"-16	3/8"-18	9.93	10.31	31.80	31.00	19 mm	Metric
DAJCM928M-0808	3/4"-16	1/2"-14	9.93	13.49	33.78	37.34	22 mm	Metric
DAJCM928M-0812	3/4"-16	3/4"-14	9.93	18.26	36.10	40.40	27 mm	Metric
DAJCM928M-0816	3/4"-16	1"-11-1/2	9.93	23.83	38.60	50.00	33 mm	Metric
DAJCM928M-0802IN	3/4"-16	1/8"-27	9.93	4.78	31.80	26.20	3/4"	Imperial
DAJCM928M-0804IN	3/4"-16	1/4"-18	9.93	7.14	31.80	31.00	3/4"	Imperial
DAJCM928M-0806IN	3/4"-16	3/8"-18	9.93	10.31	31.80	31.00	3/4"	Imperial
DAJCM928M-0808IN	3/4"-16	1/2"-14	9.93	13.49	33.78	37.34	7/8"	Imperial
DAJCM928M-0812IN	3/4"-16	3/4"-14	9.93	18.26	36.10	40.40	1-1/16"	Imperial
DAJCM928M-0816IN	3/4"-16	1"-11-1/2	9.93	23.83	38.60	50.00	1-5/16"	Imperial
DAJCM928M-1006	7/8"-14	3/8"-18	12.29	10.31	36.80	32.50	22 mm	Metric
DAJCM928M-1008	7/8"-14	1/2"-14	12.29	13.49	36.80	37.30	22 mm	Metric
DAJCM928M-1012	7/8"-14	3/4"-14	12.29	18.26	39.10	40.40	27 mm	Metric
DAJCM928M-1016	7/8"-14	1"-11-1/2	12.29	23.83	41.70	50.00	33 mm	Metric
DAJCM928M-1006IN	7/8"-14	3/8"-18	12.29	10.31	36.80	32.50	7/8"	Imperial
DAJCM928M-1008IN	7/8"-14	1/2"-14	12.29	13.49	36.80	37.30	7/8"	Imperial
DAJCM928M-1012IN	7/8"-14	3/4"-14	12.29	18.26	39.10	40.40	1-1/16"	Imperial
DAJCM928M-1016IN	7/8"-14	1"-11-1/2	12.29	23.83	41.70	50.00	1-5/16"	Imperial
DAJCM928M-1206	1-1/16"-12	3/8"-18	15.47	10.31	42.20	35.60	27 mm	Metric
DAJCM928M-1208	1-1/16"-12	1/2"-14	15.47	13.49	42.20	40.40	27 mm	Metric
DAJCM928M-1212	1-1/16"-12	3/4"-14	15.47	18.26	42.16	40.39	27 mm	Metric
DAJCM928M-1216	1-1/16"-12	1"-11-1/2	15.47	23.83	44.70	50.00	33 mm	Metric
DAJCM928M-1220	1-1/16"-12	1-1/4"-11-1/2	15.47	31.75	50.00	60.50	41 mm	Metric
DAJCM928M-1224	1-1/16"-12	1-1/2"-11-1/2	15.47	38.10	53.60	67.10	48 mm	Metric
DAJCM928M-1206IN	1-1/16"-12	3/8"-18	15.47	10.31	42.20	35.60	1-1/16"	Imperial
DAJCM928M-1208IN	1-1/16"-12	1/2"-14	15.47	13.49	42.20	40.40	1-1/16"	Imperial

Web: <https://www.dmejde.com>
E-mail: info@dmejde.com



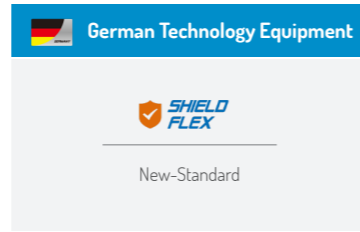
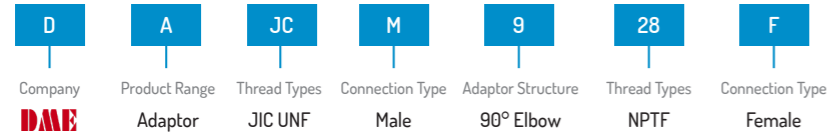
DAJCM928M-1212IN	1-1/16"-12	3/4"-14	15.47	18.26	42.16	40.39	1-1/16"	Imperial
DAJCM928M-1216IN	1-1/16"-12	1"-11-1/2	15.47	23.83	44.70	50.00	1-5/16"	Imperial
DAJCM928M-1220IN	1-1/16"-12	1-1/4"-11-1/2	15.47	31.75	50.00	60.50	1-5/8"	Imperial
DAJCM928M-1224IN	1-1/16"-12	1-1/2"-11-1/2	15.47	38.10	53.60	67.10	1-7/8"	Imperial
DAJCM928M-1408	1-3/16"-12	1/2"-14	18.26	13.49	45.72	42.93	33 mm	Metric
DAJCM928M-1412	1-3/16"-12	3/4"-14	18.26	18.26	45.70	42.90	33 mm	Metric
DAJCM928M-1416	1-3/16"-12	1"-11-1/2	18.26	23.83	45.72	50.04	33 mm	Metric
DAJCM928M-1408IN	1-3/16"-12	1/2"-14	18.26	13.49	45.72	42.93	1-5/16"	Imperial
DAJCM928M-1412IN	1-3/16"-12	3/4"-14	18.26	18.26	45.70	42.90	1-5/16"	Imperial
DAJCM928M-1416IN	1-3/16"-12	1"-11-1/2	18.26	23.83	45.72	50.04	1-5/16"	Imperial
DAJCM928M-1606	1-5/16"-12	3/8"-18	21.44	10.31	46.00	43.50	33 mm	Metric
DAJCM928M-1608	1-5/16"-12	1/2"-14	21.44	13.49	46.00	45.20	33 mm	Metric
DAJCM928M-1612	1-5/16"-12	3/4"-14	21.44	18.26	45.97	45.20	33 mm	Metric
DAJCM928M-1616	1-5/16"-12	1"-11-1/2	21.44	23.83	45.97	50.04	33 mm	Metric
DAJCM928M-1620	1-5/16"-12	1-1/4"-11-1/2	21.44	31.75	51.10	60.50	41 mm	Metric
DAJCM928M-1624	1-5/16"-12	1-1/2"-11-1/2	21.44	38.10	54.90	67.10	48 mm	Metric
DAJCM928M-1606IN	1-5/16"-12	3/8"-18	21.44	10.31	46.00	43.50	1-5/16"	Imperial
DAJCM928M-1608IN	1-5/16"-12	1/2"-14	21.44	13.49	46.00	45.20	1-5/16"	Imperial
DAJCM928M-1612IN	1-5/16"-12	3/4"-14	21.44	18.26	45.97	45.20	1-5/16"	Imperial
DAJCM928M-1616IN	1-5/16"-12	1"-11-1/2	21.44	23.83	45.97	50.04	1-5/16"	Imperial
DAJCM928M-1620IN	1-5/16"-12	1-1/4"-11-1/2	21.44	31.75	51.10	60.50	1-5/8"	Imperial
DAJCM928M-1624IN	1-5/16"-12	1-1/2"-11-1/2	21.44	38.10	54.90	67.10	1-7/8"	Imperial
DAJCM928M-2012	1-5/8"-12	3/4"-14	27.38	18.26	52.32	54.86	41 mm	Metric
DAJCM928M-2016	1-5/8"-12	1"-11-1/2	27.83	23.83	52.30	59.70	41 mm	Metric
DAJCM928M-2020	1-5/8"-12	1-1/4"-11-1/2	27.38	31.75	52.32	60.45	41 mm	Metric
DAJCM928M-2024	1-5/8"-12	1-1/2"-11-1/2	27.38	38.10	55.90	67.10	48 mm	Metric
DAJCM928M-2012IN	1-5/8"-12	3/4"-14	27.38	18.26	52.32	54.86	1-5/8"	Imperial
DAJCM928M-2016IN	1-5/8"-12	1"-11-1/2	27.83	23.83	52.30	59.70	1-5/8"	Imperial
DAJCM928M-2020IN	1-5/8"-12	1-1/4"-11-1/2	27.38	31.75	52.32	60.45	1-5/8"	Imperial
DAJCM928M-2024IN	1-5/8"-12	1-1/2"-11-1/2	27.38	38.10	55.90	67.10	1-7/8"	Imperial
DAJCM928M-2416	1-7/8"-12	1"-11-1/2	33.32	23.83	59.20	65.50	48 mm	Metric
DAJCM928M-2420	1-7/8"-12	1-1/4"-11-1/2	33.32	31.75	59.20	66.30	48 mm	Metric
DAJCM928M-2424	1-7/8"-12	1-1/2"-11-1/2	33.32	38.10	59.20	67.10	48 mm	Metric
DAJCM928M-2432	1-7/8"-12	2"-11-1/2	33.32	49.23	71.37	76.20	65 mm	Metric
DAJCM928M-2416IN	1-7/8"-12	1"-11-1/2	33.32	23.83	59.20	65.50	1-7/8"	Imperial
DAJCM928M-2420IN	1-7/8"-12	1-1/4"-11-1/2	33.32	31.75	59.20	66.30	1-7/8"	Imperial
DAJCM928M-2424IN	1-7/8"-12	1-1/2"-11-1/2	33.32	38.10	59.20	67.10	1-7/8"	Imperial
DAJCM928M-2432IN	1-7/8"-12	2"-11-1/2	33.32	49.23	71.37	76.20	2-1/2"	Imperial
DAJCM928M-3224	2-1/2"-12	1-1/2"-11-1/2	45.24	38.10	77.70	75.40	65 mm	Metric
DAJCM928M-3232	2-1/2"-12	2"-11-1/2	45.24	49.23	77.70	76.10	65 mm	Metric
DAJCM928M-3224IN	2-1/2"-12	1-1/2"-11-1/2	45.24	38.10	77.70	75.40	2-1/2"	Imperial
DAJCM928M-3232IN	2-1/2"-12	2"-11-1/2	45.24	49.23	77.70	76.10	2-1/2"	Imperial

Web: <https://www.dmejde.com>
E-mail: info@dmejde.com

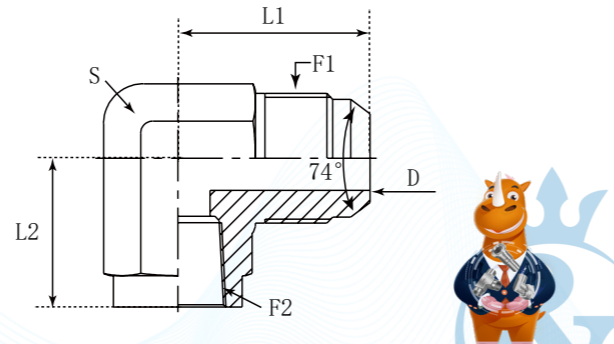


DAJCM928F

90° Elbow Connector JIC Male – NPTF Female



- DME&JDE Code:** DAJCM928F
- Product Type:** Hydraulic adaptor
- Standard:** JIC and SAE-ORB
- Structure:** 90° Elbow
- Connection Type:** Male x Female
- Thread Types:** UNF x NPTF



PART NUMBER	F1 (Thread)	F2 (Thread)	D	L1	L2	S	Hex
#	UNF	NPTF	mm	mm	mm	-	-
DAJCM928F-0202	5/16"-24	1/8"-27	1.57	25.4	16.8	14 mm	Metric
DAJCM928F-0202IN	5/16"-24	1/8"-27	1.57	25.4	16.8	9/16"	Imperial
DAJCM928F-0302	3/8"-24	1/8"-27	3.18	26.20	16.80	14 mm	Metric
DAJCM928F-0302IN	3/8"-24	1/8"-27	3.18	26.20	16.80	9/16"	Imperial
DAJCM928F-0402	7/16"-20	1/8"-27	4.37	27.40	16.80	14 mm	Metric
DAJCM928F-0404	7/16"-20	1/4"-18	4.37	31.00	22.40	19 mm	Metric
DAJCM928F-0406	7/16"-20	3/8"-18	4.37	32.80	25.90	22 mm	Metric
DAJCM928F-0408	7/16"-20	1/2"-14	4.37	35.56	31.24	27 mm	Metric
DAJCM928F-0402IN	7/16"-20	1/8"-27	4.37	27.40	16.80	9/16"	Imperial
DAJCM928F-0404IN	7/16"-20	1/4"-18	4.37	31.00	22.40	3/4"	Imperial
DAJCM928F-0406IN	7/16"-20	3/8"-18	4.37	32.80	25.90	7/8"	Imperial
DAJCM928F-0408IN	7/16"-20	1/2"-14	4.37	35.56	31.24	1-1/16"	Imperial
DAJCM928F-0502	1/2"-20	1/8"-27	5.94	27.40	16.80	14 mm	Metric
DAJCM928F-0504	1/2"-20	1/4"-18	5.94	31.00	22.40	19 mm	Metric
DAJCM928F-0506	1/2"-20	3/8"-18	5.94	32.80	25.90	22 mm	Metric
DAJCM928F-0502IN	1/2"-20	1/8"-27	5.94	27.40	16.80	9/16"	Imperial
DAJCM928F-0504IN	1/2"-20	1/4"-18	5.94	31.00	22.40	3/4"	Imperial
DAJCM928F-0506IN	1/2"-20	3/8"-18	5.94	32.80	25.90	7/8"	Imperial
DAJCM928F-0602	9/16"-18	1/8"-27	7.54	31.20	17.00	14 mm	Metric
DAJCM928F-0604	9/16"-18	1/4"-18	7.54	31.20	22.40	19 mm	Metric
DAJCM928F-0606	9/16"-18	3/8"-18	7.54	33.30	25.90	22 mm	Metric
DAJCM928F-0608	9/16"-18	1/2"-14	7.54	35.80	31.20	27 mm	Metric
DAJCM928F-0602IN	9/16"-18	1/8"-27	7.54	31.20	17.00	9/16"	Imperial

DAJCM928F-0604IN	9/16"-18	1/4"-18	7.54	31.20	22.40	3/4"	Imperial
DAJCM928F-0606IN	9/16"-18	3/8"-18	7.54	33.30	25.90	7/8"	Imperial
DAJCM928F-0608IN	9/16"-18	1/2"-14	7.54	35.80	31.20	1-1/16"	Imperial
DAJCM928F-0804	3/4"-16	1/4"-18	9.93	36.10	25.70	19 mm	Metric
DAJCM928F-0806	3/4"-16	3/8"-18	9.93	36.10	25.90	22 mm	Metric
DAJCM928F-0808	3/4"-16	1/2"-14	9.93	38.60	31.20	27 mm	Metric
DAJCM928F-0812	3/4"-16	3/4"-14	9.93	41.90	34.50	33 mm	Metric
DAJCM928F-0804IN	3/4"-16	1/4"-18	9.93	36.10	25.70	3/4"	Imperial
DAJCM928F-0806IN	3/4"-16	3/8"-18	9.93	36.10	25.90	7/8"	Imperial
DAJCM928F-0808IN	3/4"-16	1/2"-14	9.93	38.60	31.20	1-1/16"	Imperial
DAJCM928F-0812IN	3/4"-16	3/4"-14	9.93	41.90	34.50	1-5/16"	Imperial
DAJCM928F-1006	7/8"-14	3/8"-18	12.29	41.66	25.70	27 mm	Metric
DAJCM928F-1008	7/8"-14	1/2"-14	12.29	41.70	31.20	27 mm	Metric
DAJCM928F-1012	7/8"-14	3/4"-14	12.29	44.96	34.54	33 mm	Metric
DAJCM928F-1006IN	7/8"-14	3/8"-18	12.29	41.66	25.70	1-1/16"	Imperial
DAJCM928F-1008IN	7/8"-14	1/2"-14	12.29	41.70	31.20	1-1/16"	Imperial
DAJCM928F-1012IN	7/8"-14	3/4"-14	12.29	44.96	34.54	1-5/16"	Imperial
DAJCM928F-1208	1-1/16"-12	1/2"-14	15.47	48.00	34.30	27 mm	Metric
DAJCM928F-1212	1-1/16"-12	3/4"-14	15.47	48.00	34.50	33 mm	Metric
DAJCM928F-1216	1-1/16"-12	1"-11-1/2	15.47	53.90	41.20	41 mm	Metric
DAJCM928F-1208IN	1-1/16"-12	1/2"-14	15.47	48.00	34.30	1-1/16"	Imperial
DAJCM928F-1212IN	1-1/16"-12	3/4"-14	15.47	48.00	34.50	1-5/16"	Imperial
DAJCM928F-1216IN	1-1/16"-12	1"-11-1/2	15.47	53.90	41.20	1-5/8"	Imperial
DAJCM928F-1412	1-3/16"-12	3/4"-14	18.26	47.20	36.10	33 mm	Metric
DAJCM928F-1412IN	1-3/16"-12	3/4"-14	18.26	47.20	36.10	1-5/16"	Imperial
DAJCM928F-1612	1-5/16"-12	3/4"-14	21.44	55.10	35.30	33 mm	Metric
DAJCM928F-1616	1-5/16"-12	1"-11-1/2	21.44	55.10	41.20	41 mm	Metric
DAJCM928F-1620	1-5/16"-12	1-1/4"-11-1/2	21.44	57.91	43.18	48 mm	Metric
DAJCM928F-1612IN	1-5/16"-12	3/4"-14	21.44	55.10	35.30	1-5/16"	Imperial
DAJCM928F-1616IN	1-5/16"-12	1"-11-1/2	21.44	55.10	41.20	1-5/8"	Imperial
DAJCM928F-1620IN	1-5/16"-12	1-1/4"-11-1/2	21.44	57.91	43.18	1-7/8"	Imperial
DAJCM928F-2016	1-5/8"-12	1"-11-1/2	27.38	59.18	41.20	41 mm	Metric
DAJCM928F-2020	1-5/8"-12	1-1/4"-11-1/2	27.38	59.20	43.20	48 mm	Metric
DAJCM928F-2024	1-5/8"-12	1-1/2"-11-1/2	27.38	70.00	52.83	65 mm	Metric
DAJCM928F-2016IN	1-5/8"-12	1"-11-1/2	27.38	59.18	41.20	1-5/8"	Imperial
DAJCM928F-2020IN	1-5/8"-12	1-1/4"-11-1/2	27.38	59.20	43.20	1-7/8"	Imperial
DAJCM928F-2024IN	1-5/8"-12	1-1/2"-11-1/2	27.38	70.00	52.83	2-9/16"	Imperial
DAJCM928F-2424	1-7/8"-12	1-1/2"-11-1/2	33.32	73.40	52.80	65 mm	Metric
DAJCM928F-2424IN	1-7/8"-12	1-1/2"-11-1/2	33.32	73.40	52.80	2-9/16"	Imperial
DAJCM928F-3232	2-1/2"-12	2"-11-1/2	45.24	83.80	60.70	70 mm	Metric
DAJCM928F-3232IN	2-1/2"-12	2"-11-1/2	45.24	83.80	60.70	2-13/16"	Imperial



DAJCM905F

90° Elbow Connector JIC Male – BSPP Fixed Female

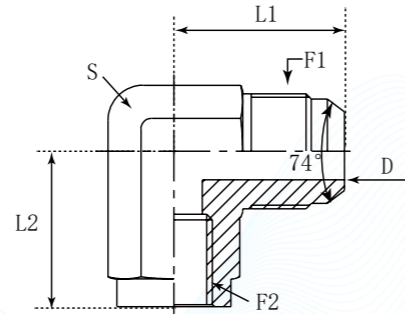
D	A	JC	M	9	05	F
Company	Product Range	Thread Types	Connection Type	Adaptor Structure	Thread Types	Connection Type
DME	Adaptor	JIC UNF	Male	90° Elbow	BSPP	Female

German Technology Equipment

SHIELD FLEX

New-Standard

- DME&JDE Code: **DAJCM905F**
- Product Type: **Hydraulic adaptor**
- Standard: **JIC and SAE-ORB**
- Structure: **90° Elbow**
- Connection Type: **Male x Fixed Female**
- Thread Types: **UNF x BSPP**



PART NUMBER	F1 (Thread)	F2 (Thread)	D	L	S	S1
#	UNF	BSPP	mm	mm	mm	mm
DAJCM905F-0402	7/16"-20	1/8"-28	4.37	27.40	16.80	14.00
DAJCM905F-0404	7/16"-20	1/4"-19	4.37	31.00	22.40	19.00
DAJCM905F-0406	7/16"-20	3/8"-19	4.37	32.80	25.90	22.00
DAJCM905F-0502	1/2"-20	1/8"-28	5.94	27.40	16.80	14.00
DAJCM905F-0504	1/2"-20	1/4"-19	5.94	31.00	22.40	19.00
DAJCM905F-0602	1/2"-20	1/8"-28	7.54	31.20	17.00	14.00
DAJCM905F-0604	9/16"-18	1/4"-19	7.54	31.20	22.40	19.00
DAJCM905F-0606	9/16"-18	3/8"-19	7.54	33.30	25.90	22.00
DAJCM905F-0608	9/16"-18	1/2"-14	7.54	35.80	31.20	27.00
DAJCM905F-0804	3/4"-16	1/4"-19	9.93	36.10	25.70	19.00
DAJCM905F-0806	3/4"-16	3/8"-19	9.93	36.10	25.90	22.00
DAJCM905F-0808	3/4"-16	1/2"-14	9.93	38.60	31.20	27.00
DAJCM905F-0812	3/4"-16	3/4"-14	9.93	41.90	34.50	33.00
DAJCM905F-1008	7/8"-14	1/2"-14	12.29	41.70	31.20	27.00
DAJCM905F-1208	1-1/16"-12	1/2"-14	15.47	48.00	34.30	27.00
DAJCM905F-1212	1 1/16"-12	3/4"-14	15.47	48.00	34.50	33.00
DAJCM905F-1216	1-1/16"-12	1"-11	15.47	53.90	41.20	41.00
DAJCM905F-1612	1-5/16"-12	3/4"-14	21.44	55.10	35.30	33.00
DAJCM905F-1616	1-5/16"-12	1"-11	21.44	55.10	41.20	41.00
DAJCM905F-2016	1-5/8"-12	1"-11	27.38	52.30	42.00	41.00
DAJCM905F-2020	1-5/8"-12	1 1/4"-11	27.38	59.20	43.20	48.00
DAJCM905F-2420	1-7/8"-12	1-1/4"-11	33.32	59.00	43.00	48.00
DAJCM905F-2424	1-7/8"-12	1-1/2"-11	33.32	73.40	52.80	65.00
DAJCM905F-3232	2-1/2"-12	2"-11	45.24	83.80	60.70	70.00

DAJCM905M

90° Elbow Connector JIC Male – BSPP Male 60°

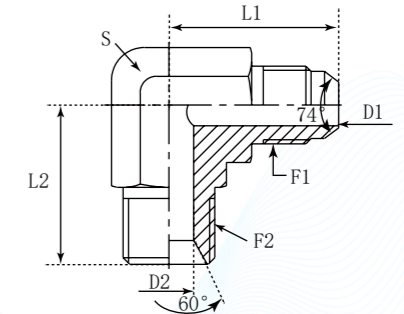
D	A	JC	M	9	05	M
Company	Product Range	Thread Types	Connection Type	Adaptor Structure	Thread Types	Connection Type
DME	Adaptor	JIC UNF	Male	90° Elbow	BSPP	Male

German Technology Equipment

SHIELD FLEX

New-Standard

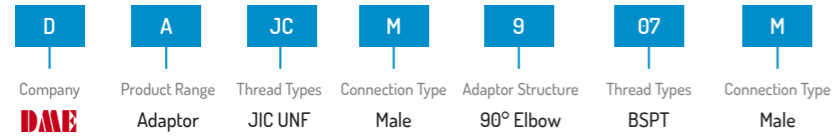
- DME&JDE Code: **DAJCM905M**
- Product Type: **Hydraulic adaptor**
- Standard: **JIC and SAE-ORB**
- Structure: **90° Elbow**
- Connection Type: **Male x Male**
- Thread Types: **UNF x BSPP 60°**



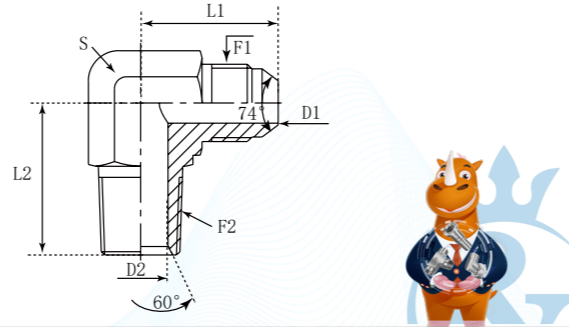
PART NUMBER	F1 (Thread)	F2 (Thread)	D1	D2	L1	L2	S
#	UNF	BSPP	mm	mm	mm	mm	mm
DAJCM905M-0404	7/16"-20	1/4"-19	4.37	4.70	26.70	27.00	14
DAJCM905M-0406	7/16"-20	3/8"-19	4.37	7.90	27.00	29.00	9
DAJCM905M-0604	9/16"-18	1/4"-19	7.54	4.70	26.90	27.00	14
DAJCM905M-0606	9/16"-18	3/8"-19	7.54	7.90	28.96	29.00	19
DAJCM905M-0608	9/16"-18	1/2"-14	7.54	11.10	31.00	34.00	22
DAJCM905M-0806	3/4"-16	3/8"-19	9.93	7.90	31.80	29.00	19
DAJCM905M-0808	3/4"-16	1/2"-14	9.93	11.10	33.80	34.00	22
DAJCM905M-0812	3/4"-16	3/4"-14	9.93	16.70	38.80	41.00	27
DAJCM905M-1008	7/8"-14	1/2"-14	12.29	11.10	36.80	34.00	22
DAJCM905M-1012	7/8"-14	3/4"-14	12.29	16.70	39.10	41.00	27
DAJCM905M-1208	1-1/16"-12	1/2"-14	15.47	11.10	36.50	41.00	27
DAJCM905M-1212	1-1/16"-12	3/4"-14	15.47	16.70	42.20	42.00	27
DAJCM905M-1216	1-1/16"-12	1"-11	15.47	22.20	44.70	48.00	33
DAJCM905M-1612	1-5/16"-12	3/4"-14	21.44	16.70	44.80	48.00	33
DAJCM905M-1616	1-5/16"-12	1"-11	21.44	22.20	46.00	48.00	33
DAJCM905M-2020	1-5/8"-12	1-1/4"-11	27.38	28.60	52.30	51.00	41

DAJCM907M

90° Elbow Connector JIC Male – BSPT Male 60°



- DME&JDE Code: **DAJCM907M**
- Product Type: **Hydraulic adaptor**
- Standard: **JIC and SAE-ORB**
- Structure: **90° Elbow**
- Connection Type: **Male x Male**
- Thread Types: **UNF x BSPT 60°**



PART NUMBER	F1 (Thread)	F2 (Thread)	D1	D2	L1	L2	S
#	UNF	BSPT	mm	mm	mm	mm	mm
DAJCM907M-0402	7/16"-20	1/8"-28	4.37	4.50	22.60	19.80	11
DAJCM907M-0404	7/16"-20	1/4"-19	4.37	6.00	26.70	27.70	14
DAJCM907M-0406	7/16"-20	3/8"-19	4.37	9.00	28.45	30.99	19
DAJCM907M-0408	7/16"-20	1/2"-14	4.37	12.00	30.70	37.30	22
DAJCM907M-0502	1/2"-20	1/8"-28	5.94	4.50	24.13	19.81	14
DAJCM907M-0504	1/2"-20	1/4"-19	5.94	6.00	26.67	27.69	14
DAJCM907M-0506	1/2"-20	3/8"-19	5.94	9.00	28.50	31.00	19
DAJCM907M-0602	9/16"-18	1/8"-28	7.54	4.50	26.90	22.90	14
DAJCM907M-0604	9/16"-18	1/4"-19	7.54	6.00	26.90	27.70	14
DAJCM907M-0606	9/16"-18	3/8"-19	7.54	9.00	29.00	31.00	19
DAJCM907M-0608	9/16"-18	1/2"-14	7.54	12.00	31.00	37.50	22
DAJCM907M-0612	9/16"-18	3/4"-14	7.54	16.70	33.30	40.40	27
DAJCM907M-0704	5/8"-18	1/4"-19	7.14	6.00	31.75	31.00	19
DAJCM907M-0706	5/8"-18	3/8"-19	7.14	9.00	31.75	31.00	19
DAJCM907M-0802	3/4"-16	1/8"-28	9.93	4.50	31.80	27.00	19
DAJCM907M-0804	3/4"-16	1/4"-19	9.93	6.00	31.80	31.00	19

DAJCM907M-0806	3/4"-16	3/8"-19	9.93	9.00	31.80	31.00	19
DAJCM907M-0808	3/4"-16	1/2"-14	9.93	12.00	33.80	37.30	22
DAJCM907M-0810	3/4"-16	5/8"-14	9.93	14.00	36.00	39.00	27
DAJCM907M-0812	3/4"-16	3/4"-14	9.93	16.70	36.10	40.40	27
DAJCM907M-0816	3/4"-16	1"-11	9.93	22.20	38.80	50.00	33
DAJCM907M-1006	7/8"-14	3/8"-19	12.29	9.00	36.80	32.50	22
DAJCM907M-1008	7/8"-14	1/2"-14	12.29	12.00	36.80	37.30	22
DAJCM907M-1010	7/8"-14	5/8"-14	12.29	14.00	39.00	39.00	27
DAJCM907M-1012	7/8"-14	3/4"-14	12.29	16.70	39.10	40.40	27
DAJCM907M-1016	7/8"-14	1"-11	12.29	22.20	41.70	50.00	33
DAJCM907M-1206	1-1/16"-12	3/8"-19	15.47	9.00	42.20	36.00	27
DAJCM907M-1208	1-1/16"-12	1/2"-14	15.47	12.00	42.20	40.40	27
DAJCM907M-1212	1-1/16"-12	3/4"-14	15.47	16.70	42.20	40.40	27
DAJCM907M-1216	1-1/16"-12	1"-11	15.47	22.20	44.70	50.00	33
DAJCM907M-1220	1-1/16"-12	1-1/4"-11	15.47	28.60	50.00	60.50	41
DAJCM907M-1608	1-5/16"-12	1/2"-14	21.44	12.00	46.00	45.00	33
DAJCM907M-1612	1-5/16"-12	3/4"-14	21.44	16.70	46.00	45.20	33
DAJCM907M-1616	1-5/16"-12	1"-11	21.44	22.20	46.00	50.00	33
DAJCM907M-1620	1-5/16"-12	1-1/4"-11	21.44	28.60	51.10	60.50	41
DAJCM907M-1632	1-5/16"-12	2"-11	21.44	46.00	71.00	76.19	65
DAJCM907M-2016	1-5/8"-12	1"-11	27.83	22.20	52.30	59.70	41
DAJCM907M-2020	1-5/8"-12	1-1/4"-11	27.83	28.60	52.30	60.50	41
DAJCM907M-2024	1-5/8"-12	1-1/2"-11	27.83	33.30	56.00	67.10	48
DAJCM907M-2420	1-7/8"-12	1-1/4"-11	33.32	28.60	59.20	67.10	48
DAJCM907M-2424	1-7/8"-12	1-1/2"-11	33.32	33.30	59.20	67.10	48
DAJCM907M-2432	1-7/8"-12	2"-11	33.32	46.00	71.40	76.20	65
DAJCM907M-3224	2-1/2"-12	1-1/2"-11	45.24	33.30	77.70	75.40	63.5
DAJCM907M-3232	2-1/2"-12	2"-11	45.24	45.00	77.70	76.10	65



DAJCM907F

90° Elbow Connector JIC Male – BSPT Female

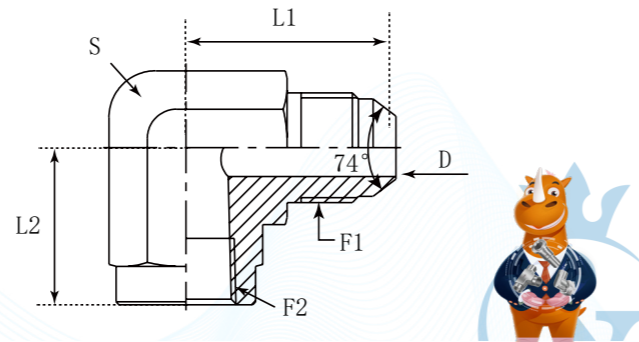
D	A	JC	M	9	07	F
Company	Product Range	Thread Types	Connection Type	Adaptor Structure	Thread Types	Connection Type
DME	Adaptor	JIC UNF	Male	90° Elbow	BSPT	Female

German Technology Equipment

SHIELD FLEX

New-Standard

- DME&JDE Code: **DAJCM907F**
- Product Type: **Hydraulic adaptor**
- Standard: **JIC and SAE-ORB**
- Structure: **90° Elbow**
- Connection Type: **Male × Female**
- Thread Types: **UNF × BSPT**



PART NUMBER	F1 (Thread)	F2 (Thread)	D	L1	L2	S
#	UNF	BSPT	mm	mm	mm	mm
DAJCM907F-0402	7/16"-20	1/8"-28	4.37	27.4	16.8	14
DAJCM907F-0604	9/16"-18	1/4"-19	7.54	31.2	22.4	19
DAJCM907F-0806	3/4"-16	3/8"-19	9.93	36.1	25.9	22.22
DAJCM907F-0808	3/4"-16	1/2"-14	9.93	38.61	31.24	27
DAJCM907F-1008	7/8"-14	1/2"-14	12.3	41.7	31.2	27
DAJCM907F-1212	1-1/16"-12	3/4"-14	15.47	48	34.5	33
DAJCM907F-1616	1-5/16"-12	1"-11	21.44	55.1	41.1	41

DAJCM900B

90° Elbow Connector JIC Male – Butt weld Tube

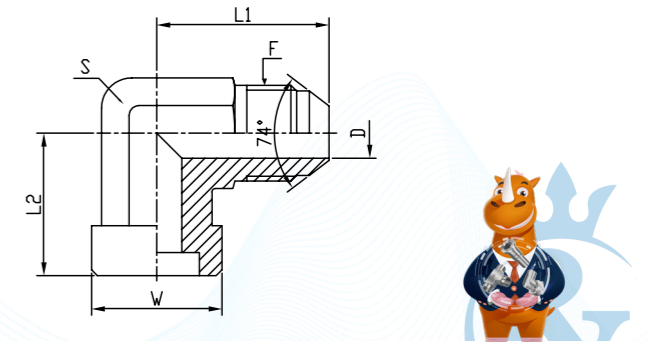
D	A	JC	M	9	00	B
Company	Product Range	Thread Types	Connection Type	Adaptor Structure	Sealing Type	Welding Type
DME	Adaptor	JIC UNF	Male	90° Elbow	Welding	Socket

German Technology Equipment

SHIELD FLEX

New-Standard

- DME&JDE Code: **DAJCM900B**
- Product Type: **Hydraulic adaptor**
- Standard: **JIC and SAE-ORB**
- Structure: **90° Elbow**
- Connection Type: **Male**
- Thread Types: **UNF**
- Sealing Method: **Welding**



PART NUMBER	F (Thread)	D	W	L1	L2	S	Hex
#	UNF	mm	mm	mm	mm	-	-
DAJCM900B-0406	7/16"-20	4.37	6.00	22.50	10.50	11 mm	Metric
DAJCM900B-0406IN	7/16"-20	4.37	6.00	22.50	10.50	7/16"	Imperial
DAJCM900B-0510	1/2"-20	5.94	10.00	27.00	16.00	14 mm	Metric
DAJCM900B-0510IN	1/2"-20	5.94	10.00	27.00	16.00	9/16"	Imperial
DAJCM900B-0610	9/16"-18	7.54	10.00	27.00	16.00	14 mm	Metric
DAJCM900B-0612	9/16"-18	7.54	12.00	29.00	18.00	19 mm	Metric
DAJCM900B-0610IN	9/16"-18	7.54	10.00	27.00	16.00	9/16"	Imperial
DAJCM900B-0612IN	9/16"-18	7.54	12.00	29.00	18.00	3/4"	Imperial
DAJCM900B-0812	3/4"-16	9.93	12.00	31.50	18.00	19 mm	Metric
DAJCM900B-0816	3/4"-16	9.93	16.00	34.00	20.00	22 mm	Metric
DAJCM900B-0812IN	3/4"-16	9.93	12.00	31.50	18.00	3/4"	Imperial
DAJCM900B-0816IN	3/4"-16	9.93	16.00	34.00	20.00	7/8"	Imperial
DAJCM900B-1014	7/8"-14	12.29	14.00	36.50	20.00	22 mm	Metric
DAJCM900B-1016	7/8"-14	12.29	16.00	36.50	20.00	22 mm	Metric
DAJCM900B-1018	7/8"-14	12.29	18.00	40.00	23.00	27 mm	Metric
DAJCM900B-1022	7/8"-14	12.29	22.00	40.00	23.00	27 mm	Metric
DAJCM900B-1014IN	7/8"-14	12.29	14.00	36.50	20.00	7/8"	Imperial
DAJCM900B-1016IN	7/8"-14	12.29	16.00	36.50	20.00	7/8"	Imperial
DAJCM900B-1018IN	7/8"-14	12.29	18.00	40.00	23.00	1-1/8"	Imperial
DAJCM900B-1022IN	7/8"-14	12.29	22.00	40.00	23.00	1-1/8"	Imperial
DAJCM900B-1218	1-1/16"-12	15.47	18.00	42.00	23.00	27 mm	Metric
DAJCM900B-1220	1-1/16"-12	15.47	20.00	42.00	23.00	27 mm	Metric
DAJCM900B-1225	1-1/16"-12	15.47	25.00	46.00	26.00	33 mm	Metric
DAJCM900B-1218IN	1-1/16"-12	15.47	18.00	42.00	23.00	1-1/8"	Imperial
DAJCM900B-1220IN	1-1/16"-12	15.47	20.00	42.00	23.00	1-1/8"	Imperial
DAJCM900B-1225IN	1-1/16"-12	15.47	25.00	46.00	26.00	1-5/16"	Imperial
DAJCM900B-1625	1-5/16"-12	21.44	25.00	46.00	26.00	33 mm	Metric
DAJCM900B-1632	1-5/16"-12	21.44	32.00	51.00	33.00	41 mm	Metric
DAJCM900B-1625IN	1-5/16"-12	21.44	25.00	46.00	26.00	1-5/16"	Imperial
DAJCM900B-1632IN	1-5/16"-12	21.44	32.00	51.00	33.00	1-1/2"	Imperial
DAJCM900B-2030	1-5/8"-12	27.38	30.00	52.00	33.00	41 mm	Metric
DAJCM900B-2032	1-5/8"-12	27.38	32.00	52.00	33.00	41 mm	Metric
DAJCM900B-2038	1-5/8"-12	27.38	38.00	56.00	35.00	48 mm	Metric
DAJCM900B-2030IN	1-5/8"-12	27.38	30.00	52.00	33.00	1-1/2"	Imperial
DAJCM900B-2032IN	1-5/8"-12	27.38	32.00	52.00	33.00	1-1/2"	Imperial
DAJCM900B-2038IN	1-5/8"-12	27.38	38.00	56.00	35.00	1-7/8"	Imperial
DAJCM900B-2438	1-7/8"-12	33.32	38.00	59.00	35.00	48 mm	Metric
DAJCM900B-2438IN	1-7/8"-12	33.32	38.00	59.00	35.00	1-7/8"	Imperial



DAJCM900S

90° Elbow Connector JIC Male – Braze Female

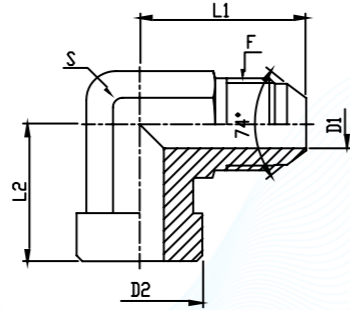
D	A	JC	M	9	00	S
Company	Product Range	Thread Types	Connection Type	Adaptor Structure	Sealing Type	Welding Type
DME	Adaptor	JIC UNF	Male	90° Elbow	Welding	Butt Welding

German Technology Equipment

SHIELD FLEX

New-Standard

- DME&JDE Code: DAJCM900S
- Product Type: Hydraulic adaptor
- Standard: JIC and SAE-ORB
- Structure: 90° Elbow
- Connection Type: Male x Female
- Thread Types: UNF
- Sealing Method: Welding



PART NUMBER	F (Thread)	D1	D2	L1	L2	S	Hex
#	UNF	mm	mm	mm	mm	-	-
DAJCM900S-0415	7/16"-20	4.37	15.00	31.00	22.50	Metric	19 mm
DAJCM900S-0515	1/2"-20	5.94	15.00	31.00	22.50	Metric	19 mm
DAJCM900S-0610	9/16"-18	7.54	10.00	26.90	22.50	Metric	14 mm
DAJCM900S-0615	9/16"-18	7.54	15.00	31.00	22.50	Metric	19 mm
DAJCM900S-0812	3/4"-16	9.93	12.00	32.00	26.00	Metric	19 mm
DAJCM900S-0816	3/4"-16	9.93	16.00	37.00	31.00	Metric	19 mm
DAJCM900S-0820	3/4"-16	9.93	20.00	36.00	26.00	Metric	22 mm
DAJCM900S-1012	7/8"-14	12.30	12.00	36.80	26.00	Metric	22 mm
DAJCM900S-1022	7/8"-14	12.29	23.00	41.50	31.00	Metric	22 mm
DAJCM900S-1228	1-1/16"-12	15.47	28.00	48.00	34.50	Metric	30 mm
DAJCM900S-1434	1-3/16"-12	18.26	34.00	48.00	36.00	Metric	36 mm
DAJCM900S-1635	1-5/16"-12	21.44	35.00	55.00	41.00	Metric	36 mm
DAJCM900S-2042	1-5/8"-12	27.38	42.00	59.00	43.00	Metric	41 mm
DAJCM900S-2450	1-7/8"-12	33.32	50.00	73.50	53.00	Metric	50 mm

DAJCM9081

90° Elbow Connector JIC Male – BSPP Swivel Female 60°

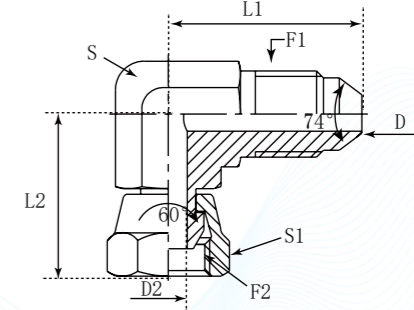
D	A	JC	M	9	081
Company	Product Range	Thread Types	Connection Type	Adaptor Structure	Connection Type
DME	Adaptor	JIC UNF	Male	90° Elbow	BSPP Swivel Female

German Technology Equipment

SHIELD FLEX

New-Standard

- DME&JDE Code: DAJCM9081
- Product Type: Hydraulic adaptor
- Standard: JIC and SAE-ORB
- Structure: 90° Elbow
- Connection Type: Male x Swivel Female
- Thread Types: UNF x BSPP 60°



PART NUMBER	F1 (Thread)	F2 (Thread)	C	L	D1	D2	S	S1
#	UNF	BSPP	mm	mm	mm	mm	mm	mm
DAJCM9081-0404	7/16"-20	1/4"-19	4.37	4.37	22.60	22.60	11.00	19.00
DAJCM9081-0606	9/16"-18	3/8"-19	7.54	7.54	26.90	26.90	19.00	22.00
DAJCM9081-0806	3/4"-16	3/8"-19	9.93	7.54	31.50	28.00	19.00	22.00
DAJCM9081-0808	3/4"-16	1/2"-14	9.90	11.10	31.80	31.80	19.00	27.00
DAJCM9081-1010	7/8"-14	5/8"-14	12.29	14.30	36.80	35.00	22	30.00
DAJCM9081-1212	1-1/16"-12	3/4"-14	15.47	16.70	42.20	42.20	27.00	32.00
DAJCM9081-1616	1-5/16"-12	1"-11	21.44	21.44	46.00	46.00	33.00	41.00



DAJCM9251

90° Elbow Connector JIC Male – JIC Swivel Female

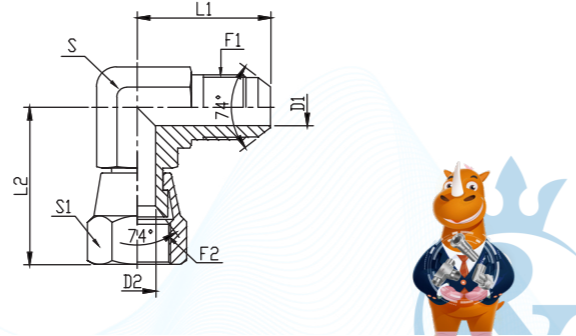
D	A	JC	M	9	251
Company	Product Range	Thread Types	Connection Type	Adaptor Structure	Connection Type
DME	Adaptor	JIC UNF	Male	90° Elbow	JIC Swivel Female

German Technology Equipment

SHIELD FLEX

New-Standard

- DME&JDE Code:** DAJCM9251
- Product Type:** Hydraulic adaptor
- Standard:** JIC and SAE-ORB
- Structure:** 90° Elbow
- Connection Type:** Male x Swivel Female
- Thread Types:** UNF x UNF



PART NUMBER	F1 (Thread)	F2 (Thread)	L1	L2	D1	D2	S	S1	Hex
#	UNF	UNF	mm	mm	mm	mm	-	-	-
DAJCM9251-0202	5/16"-24	5/16"-24	19.60	17.00	1.57	1.57	11 mm	11 mm	Metric
DAJCM9251-0202IN	5/16"-24	5/16"-24	19.60	17.00	1.57	1.57	7/16"	7/16"	Imperial
DAJCM9251-0303	3/8"-24	3/8"-24	21.08	17.07	3.18	3.18	11 mm	12 mm	Metric
DAJCM9251-0303IN	3/8"-24	3/8"-24	21.08	17.07	3.18	3.18	7/16"	1/2"	Imperial
DAJCM9251-0404	7/16"-20	7/16"-20	22.61	16.66	4.37	4.37	11 mm	14 mm	Metric
DAJCM9251-0406	7/16"-20	9/16"-18	26.67	22.22	4.37	7.54	14 mm	19 mm	Metric
DAJCM9251-0404IN	7/16"-20	7/16"-20	22.61	16.66	4.37	4.37	7/16"	9/16"	Imperial
DAJCM9251-0406IN	7/16"-20	9/16"-18	26.67	22.22	4.37	7.54	9/16"	11/16"	Imperial
DAJCM9251-0505	1/2"-20	1/2"-20	24.13	17.40	5.94	5.94	14 mm	17 mm	Metric
DAJCM9251-0506	1/2"-20	9/16"-18	26.67	22.23	5.94	7.54	14 mm	19 mm	Metric
DAJCM9251-0505IN	1/2"-20	1/2"-20	24.13	17.40	5.94	5.94	9/16"	5/8"	Imperial
DAJCM9251-0506IN	1/2"-20	9/16"-18	26.67	22.23	5.94	7.54	9/16"	11/16"	Imperial
DAJCM9251-0604	9/16"-18	7/16"-20	26.90	22.22	7.54	4.37	14 mm	14 mm	Metric
DAJCM9251-0605	9/16"-18	1/2"-20	26.90	17.40	7.54	5.94	14 mm	17 mm	Metric
DAJCM9251-0606	9/16"-18	9/16"-18	26.92	22.22	7.54	7.54	14 mm	19 mm	Metric
DAJCM9251-0608	9/16"-18	3/4"-16	29.00	24.33	7.54	9.93	19 mm	22 mm	Metric
DAJCM9251-0604IN	9/16"-18	7/16"-20	26.90	22.22	7.54	4.37	9/16"	9/16"	Imperial
DAJCM9251-0605IN	9/16"-18	1/2"-20	26.90	17.40	7.54	5.94	9/16"	5/8"	Imperial
DAJCM9251-0606IN	9/16"-18	9/16"-18	26.92	22.22	7.54	7.54	9/16"	11/16"	Imperial
DAJCM9251-0608IN	9/16"-18	3/4"-16	29.00	24.33	7.54	9.93	3/4"	7/8"	Imperial
DAJCM9251-0707	5/8"-18	5/8"-18	31.75	24.33	7.14	7.14	19 mm	22 mm	Metric
DAJCM9251-0707IN	5/8"-18	5/8"-18	31.75	24.33	7.14	7.14	3/4"	7/8"	Imperial
DAJCM9251-0806	3/4"-16	9/16"-18	31.80	23.10	9.93	7.54	19 mm	19 mm	Metric

Web: <https://www.dmejde.com>
E-mail: info@dmejde.com



DAJCM9251-0808	3/4"-16	3/4"-16	31.75	24.33	9.93	9.93	19 mm	22 mm	Metric
DAJCM9251-0810	3/4"-16	7/8"-14	33.80	28.45	9.93	12.29	22 mm	27 mm	Metric
DAJCM9251-0812	3/4"-16	1-1/16"-12	36.10	30.20	9.93	15.47	27 mm	32 mm	Metric
DAJCM9251-0806IN	3/4"-16	9/16"-18	31.80	23.10	9.93	7.54	3/4"	11/16"	Imperial
DAJCM9251-0808IN	3/4"-16	3/4"-16	31.75	24.33	9.93	9.93	3/4"	7/8"	Imperial
DAJCM9251-0810IN	3/4"-16	7/8"-14	33.80	28.45	9.93	12.29	7/8"	1"	Imperial
DAJCM9251-0812IN	3/4"-16	1-1/16"-12	36.10	30.20	9.93	15.47	1-1/16"	1-1/4"	Imperial
DAJCM9251-1008	7/8"-14	3/4"-16	36.80	26.16	12.29	9.93	22 mm	22 mm	Metric
DAJCM9251-1010	7/8"-14	7/8"-14	36.83	28.45	12.29	12.29	22 mm	27 mm	Metric
DAJCM9251-1012	7/8"-14	1-1/16"-12	39.20	30.20	12.29	15.47	27 mm	32 mm	Metric
DAJCM9251-1008IN	7/8"-14	3/4"-16	36.80	26.16	12.29	9.93	7/8"	7/8"	Imperial
DAJCM9251-1010IN	7/8"-14	7/8"-14	36.83	28.45	12.29	12.29	7/8"	1"	Imperial
DAJCM9251-1012IN	7/8"-14	1-1/16"-12	39.20	30.20	12.29	15.47	1-1/16"	1-1/4"	Imperial
DAJCM9251-1206	1-1/16"-12	9/16"-18	42.20	27.24	15.47	7.54	27 mm	19 mm	Metric
DAJCM9251-1208	1-1/16"-12	3/4"-16	42.20	28.53	15.47	9.93	27 mm	22 mm	Metric
DAJCM9251-1210	1-1/16"-12	7/8"-14	42.20	29.46	15.47	12.29	27 mm	27 mm	Metric
DAJCM9251-1212	1-1/16"-12	1-1/16"-12	42.16	30.18	15.47	15.47	27 mm	32 mm	Metric
DAJCM9251-1216	1-1/16"-12	1-5/16"-12	44.70	35.71	15.47	21.44	33 mm	41 mm	Metric
DAJCM9251-1206IN	1-1/16"-12	9/16"-18	42.20	27.24	15.47	7.54	1-1/16"	11/16"	Imperial
DAJCM9251-1208IN	1-1/16"-12	3/4"-16	42.20	28.53	15.47	9.93	1-1/16"	7/8"	Imperial
DAJCM9251-1210IN	1-1/16"-12	7/8"-14	42.20	29.46	15.47	12.29	1-1/16"	1"	Imperial
DAJCM9251-1212IN	1-1/16"-12	1-1/16"-12	42.16	30.18	15.47	15.47	1-1/16"	1-1/4"	Imperial
DAJCM9251-1216IN	1-1/16"-12	1-5/16"-12	44.70	35.71	15.47	21.44	1-5/16"	1-1/2"	Imperial
DAJCM9251-1414	1-3/16"-12	1-3/16"-12	45.70	30.53	18.26	18.26	33 mm	36 mm	Metric
DAJCM9251-1414IN	1-3/16"-12	1-3/16"-12	45.70	30.53	18.26	18.26	1-5/16"	1-3/8"	Imperial
DAJCM9251-1612	1-5/16"-12	1-1/16"-12	45.97	35.26	21.44	15.50	33 mm	32 mm	Metric
DAJCM9251-1616	1-5/16"-12	1-5/16"-12	45.97	35.71	21.44	21.44	33 mm	41 mm	Metric
DAJCM9251-1620	1-5/16"-12	1-5/8"-12	51.10	42.80	21.44	27.42	41 mm	50 mm	Metric
DAJCM9251-1612IN	1-5/16"-12	1-1/16"-12	45.97	35.26	21.44	15.50	1-5/16"	1-1/4"	Imperial
DAJCM9251-1616IN	1-5/16"-12	1-5/16"-12	45.97	35.71	21.44	21.44	1-5/16"	1-1/2"	Imperial
DAJCM9251-1620IN	1-5/16"-12	1-5/8"-12	51.10	42.80	21.44	27.42	1-5/8"	2"	Imperial
DAJCM9251-2016	1-5/8"-12	1-5/16"-12	52.30	41.40	27.38	21.44	41 mm	41 mm	Metric
DAJCM9251-2020	1-5/8"-12	1-5/8"-12	52.30	42.80	27.38	27.42	41 mm	50 mm	Metric
DAJCM9251-2024	1-5/8"-12	1-7/8"-12	56.00	47.14	27.38	33.32	48 mm	55 mm	Metric
DAJCM9251-2016IN	1-5/8"-12	1-5/16"-12	52.30	41.40	27.38	21.44	1-5/8"	1-1/2"	Imperial
DAJCM9251-2020IN	1-5/8"-12	1-5/8"-12	52.30	42.80	27.38	27.42	1-5/8"	2"	Imperial
DAJCM9251-2024IN	1-5/8"-12	1-7/8"-12	56.00	47.14	27.38	33.32	1-7/8"	2-1/4"	Imperial
DAJCM9251-2424	1-7/8"-12	1-7/8"-12	59.18	47.14	33.32	33.32	48 mm	55 mm	Metric
DAJCM9251-2424IN	1-7/8"-12	1-7/8"-12	59.18	47.14	33.32	33.32	1-7/8"	2-1/4"	Imperial
DAJCM9251-3232	2-1/2"-12	2-1/2"-12	77.70	61.98	45.24	45.24	65 mm	75 mm	Metric
DAJCM9251-3232IN	2-1/2"-12	2-1/2"-12	77.70	61.98	45.24	45.24	2-1/2"	2-7/8"	Imperial



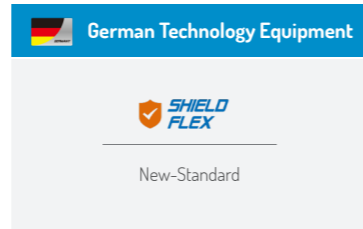
Web: <https://www.dmejde.com>
E-mail: info@dmejde.com



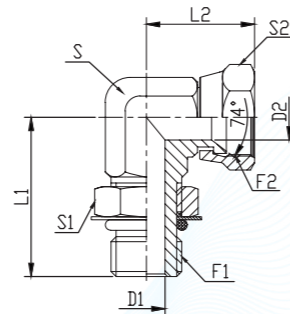
DAJC19305

90° Adjustable Elbow JIC Swivel Female – SAE Male O Ring

D	A	JC	1	9	30	5
Company	Product Range	Thread Types	Connection Type	Adaptor Structure	Thread Types	Connection Type
DME	Adaptor	JIC UNF	Swivel Female	90° Elbow	SAE UNF	Male O Ring



- DME&JDE Code:** DAJC19305
- Product Type:** Hydraulic adaptor
- Standard:** JIC and SAE-ORB
- Structure:** 90° Elbow
- Connection Type:** Swivel Female x Male
- Thread Types:** UNF x UNF
- Sealing Method:** O Ring



PART NUMBER	F1 (Thread)	F2 (Thread)	D1	D2	L1	L2	S	S1	S2	Hex
#	UNF	UNF	mm	mm	mm	mm	-	-	-	-
DAJC19305-0404	7/16"-20	7/16"-20	4.37	4.37	16.66	26.20	11 mm	14 mm	14 mm	Metric
DAJC19305-0406	7/16"-20	9/16"-18	4.37	7.54	20.50	31.80	14 mm	14 mm	14 mm	Metric
DAJC19305-0404IN	7/16"-20	7/16"-20	4.37	4.37	16.66	26.20	7/16"	9/16"	9/16"	Imperial
DAJC19305-0406IN	7/16"-20	9/16"-18	4.37	7.54	20.50	31.80	9/16"	9/16"	9/16"	Imperial
DAJC19305-0604	9/16"-18	7/16"-20	7.54	4.37	22.22	30.20	14 mm	17 mm	14 mm	Metric
DAJC19305-0606	9/16"-18	9/16"-18	7.54	7.54	22.22	31.80	14 mm	17 mm	17 mm	Metric
DAJC19305-0608	9/16"-18	3/4"-16	7.54	9.93	27.18	36.80	19 mm	17 mm	22 mm	Metric
DAJC19305-0604IN	9/16"-18	7/16"-20	7.54	4.37	22.22	30.20	9/16"	11/16"	9/16"	Imperial
DAJC19305-0606IN	9/16"-18	9/16"-18	7.54	7.54	22.22	31.80	9/16"	11/16"	11/16"	Imperial
DAJC19305-0608IN	9/16"-18	3/4"-16	7.54	9.93	27.18	36.80	3/4"	11/16"	7/8"	Imperial
DAJC19305-0806	3/4"-16	9/16"-18	9.93	7.54	24.13	33.50	19 mm	22 mm	17 mm	Metric
DAJC19305-0808	3/4"-16	3/4"-16	9.93	9.93	24.33	36.80	19 mm	22 mm	22 mm	Metric
DAJC19305-0810	3/4"-16	7/8"-14	9.93	12.29	26.70	43.20	22 mm	22 mm	27 mm	Metric
DAJC19305-0812	3/4"-16	1-1/16"-12	9.93	15.47	28.50	49.30	27 mm	22 mm	32 mm	Metric
DAJC19305-0806IN	3/4"-16	9/16"-18	9.93	7.54	24.13	33.50	3/4"	7/8"	11/16"	Imperial
DAJC19305-0808IN	3/4"-16	3/4"-16	9.93	9.93	24.33	36.80	3/4"	7/8"	7/8"	Imperial
DAJC19305-0810IN	3/4"-16	7/8"-14	9.93	12.29	26.70	43.20	7/8"	7/8"	1"	Imperial
DAJC19305-0812IN	3/4"-16	1-1/16"-12	9.93	15.47	28.50	49.30	1-1/16"	7/8"	1-1/4"	Imperial
DAJC19305-1008	7/8"-14	3/4"-16	12.29	9.93	28.45	39.10	22 mm	27 mm	22 mm	Metric
DAJC19305-1010	7/8"-14	7/8"-14	12.29	12.29	28.45	43.20	22 mm	27 mm	27 mm	Metric
DAJC19305-1012	7/8"-14	1-1/16"-12	12.29	15.47	29.30	49.30	27 mm	27 mm	32 mm	Metric
DAJC19305-1008IN	7/8"-14	3/4"-16	12.29	9.93	28.45	39.10	7/8"	1"	7/8"	Imperial
DAJC19305-1010IN	7/8"-14	7/8"-14	12.29	12.29	28.45	43.20	7/8"	1"	1"	Imperial
DAJC19305-1012IN	7/8"-14	1-1/16"-12	12.29	15.47	29.30	49.30	1-1/16"	1"	1-1/4"	Imperial
DAJC19305-1212	1-1/16"-12	1-1/16"-12	15.47	15.47	30.18	49.30	27 mm	32 mm	32 mm	Metric
DAJC19305-1216	1-5/16"-12	1-1/16"-12	21.44	15.47	51.10	35.26	33 mm	41 mm	32 mm	Metric
DAJC19305-1212IN	1-1/16"-12	1-1/16"-12	15.47	15.47	30.18	49.30	1-1/16"	1-1/4"	1-1/4"	Imperial
DAJC19305-1216IN	1-5/16"-12	1-1/16"-12	21.44	15.47	51.10	35.26	1-5/16"	1-1/2"	1-1/4"	Imperial
DAJC19305-1616	1-5/16"-12	1-5/16"-12	21.44	21.44	35.71	51.10	33 mm	41 mm	41 mm	Metric
DAJC19305-1616IN	1-5/16"-12	1-5/16"-12	21.44	21.44	35.71	51.10	1-5/16"	1-1/2"	1-1/2"	Imperial
DAJC19305-2020	1-5/8"-12	1-5/8"-12	27.38	27.38	42.80	57.20	41 mm	50 mm	50 mm	Metric
DAJC19305-2020IN	1-5/8"-12	1-5/8"-12	27.38	27.38	42.80	57.20	1-5/8"	2"	1-7/8"	Imperial
DAJC19305-2424	1-7/8"-12	1-7/8"-12	33.32	33.32	47.14	60.70	50 mm	58 mm	55 mm	Metric
DAJC19305-2424IN	1-7/8"-12	1-7/8"-12	33.32	33.32	47.14	60.70	1-7/8"	2-1/4"	2-1/8"	Imperial

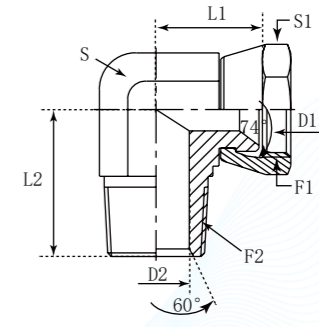
DAJC1928M

90° Elbow Connector JIC Swivel Female – NPTF Male 60°

D	A	JC	1	9	28	M
Company	Product Range	Thread Types	Connection Type	Adaptor Structure	Thread Types	Connection Type
DME	Adaptor	JIC UNF	Swivel Female	90° Elbow	NPTF	Male



- DME&JDE Code:** DAJC1928M
- Product Type:** Hydraulic adaptor
- Standard:** JIC and SAE-ORB
- Structure:** 90° Elbow
- Connection Type:** Swivel Female x Male
- Thread Types:** UNF x NPTF 60°



PART NUMBER	F1 (Thread)	F2 (Thread)	D1	D2	L1	L2	S	S1	S2	Hex
#	UNF	NPTF	mm	mm	mm	mm	-	-	-	-
DAJC1928M-0202	5/16"-24	1/8"-27	1.57	4.78	16.66	19.81	11 mm	11 mm	11 mm	Metric
DAJC1928M-0202IN	5/16"-24	1/8"-27	1.57	4.78	16.66	19.81	7/16"	7/16"	7/16"	Imperial
DAJC1928M-0402	7/16"-20	1/8"-27	4.37	4.78	16.66	19.81	11 mm	14 mm	14 mm	Metric
DAJC1928M-0404	7/16"-20	1/4"-18	4.37	7.14	18.79	26.30	14 mm	14 mm	14 mm	Metric
DAJC1928M-0406	7/16"-20	3/8"-18	4.37	10.31	22.00	29.80	19 mm	14 mm	14 mm	Metric
DAJC1928M-0402IN	7/16"-20	1/8"-27	4.37	4.78	16.66	19.81	7/16"	9/16"	9/16"	Imperial
DAJC1928M-0404IN	7/16"-20	1/4"-18	4.37	7.14	18.79	26.30	9/16"	9/16"	9/16"	Imperial
DAJC1928M-0406IN	7/16"-20	3/8"-18	4.37	10.31	22.00	29.80	3/4"	9/16"	9/16"	Imperial
DAJC1928M-0502	1/2"-20	1/8"-27	5.94	4.78	17.40	27.10	14 mm	17 mm	17 mm	Metric
DAJC1928M-0504	1/2"-20	1/4"-18	5.94	7.14	17.40	27.10	14 mm	17 mm	17 mm	Metric
DAJC1928M-0502IN	1/2"-20	1/8"-27	5.94	4.78	17.40	27.10	9/16"	5/8"	5/8"	Imperial
DAJC1928M-0504IN	1/2"-20	1/4"-18	5.94	7.14	17.40	27.10	9/16"	5/8"	5/8"	Imperial
DAJC1928M-0604	9/16"-18	1/4"-18	7.54	7.14	22.22	27.70	14 mm	17 mm	17 mm	Metric
DAJC1928M-0606	9/16"-18	3/8"-18	7.54	10.31	22.22	31.80	19 mm	17 mm	17 mm	Metric
DAJC1928M-0608	9/16"-18	1/2"-14	7.54	13.49	26.54	37.30	22 mm	17 mm	17 mm	Metric
DAJC1928M-0604IN	9/16"-18	1/4"-18	7.54	7.14	22.22	27.70	9/16"	11/16"	11/16"	Imperial
DAJC1928M-0606IN	9/16"-18	3/8"-18	7.54	10.31	22.22	31.80	3/4"	11/16"	11/16"	Imperial
DAJC1928M-0608IN	9/16"-18	1/2"-14	7.54	13.49	26.54	37.30	7/8"	11/16"	11/16"	Imperial
DAJC1928M-0806	3/4"-16	3/8"-18	9.93	10.31	24.33	31.00	19 mm	22 mm	22 mm	Metric
DAJC1928M-0808	3/4"-16	1/2"-14	9.93	13.49	27.19	37.30	22 mm	22 mm	22 mm	Metric
DAJC1928M-0812	3/4"-16	3/4"-14	9.93	18.26	28.45	40.40	27 mm	22 mm	22 mm	Metric
DAJC1928M-0806IN	3/4"-16	3/8"-18	9.93	10.31	24.33	31.00	3/4"	7/8"	7/8"	Imperial
DAJC1928M-0808IN	3/4"-16	1/2"-14	9.93	13.49	27.19	37.30	7/8"	7/8"	7/8"	Imperial
DAJC1928M-0812IN	3/4"-16	3/4"-14	9.93	18.26	28.45	40.40	1-1/16"	7/8"	7/8"	Imperial
DAJC1928M-1008	7/8"-14	1/2"-14	12.29	13.49	28.45	37.30	22 mm	27 mm	27 mm	Metric
DAJC1928M-1008IN	7/8"-14	1/2"-14	12.29	13.49	28.45	37.30	7/8"	1"	1"	Imperial
DAJC1928M-1208	1-1/16"-12	1/2"-14	15.47	13.49	30.10	40.40	27 mm	32 mm	32 mm	Metric
DAJC1928M-1212	1-1/16"-12	3/4"-14	15.47	18.26	30.18	40.40	27 mm	32 mm	32 mm	Metric
DAJC1928M-1208IN	1-1/16"-12	1/2"-14	15.47	13.49	30.10	40.40	1-1/16"	1-1/4"	1-1/4"	Imperial
DAJC1928M-1212IN	1-1/16"-12	3/4"-14	15.47	18.26	30.18	40.40	1-1/16"	1-1/4"	1-1/4"	Imperial
DAJC1928M-1412	1-3/16"-12	3/4"-14	18.26	18.26	35.70	51.00	33 mm	36 mm	36 mm	Metric
DAJC1928M-1412IN	1-3/16"-12	3/4"-14	18.26	18.26	35.70	51.00	1-5/16"	1-3/8"	1-3/8"	Imperial
DAJC1928M-1612	1-5/16"-12	3/4"-14	21.44	18.26	35.71	50.00	33 mm	41 mm	41 mm	Metric
DAJC1928M-1616	1-5/16"-12	1"-11-1/2	21.44	23.83	35.71	50.00	33 mm	41 mm	41 mm	Metric
DAJC1928M-1612IN	1-5/16"-12	3/4"-14	21.44	18.26	35.71	50.00	1-5/16"	1-1/2"	1-1/2"	Imperial
DAJC1928M-1616IN	1-5/16"-12	1"-11-1/2	21.44	23.83	35.71	50.00	1-5/16"	1-1/2"	1-1/2"	Imperial
DAJC1928M-2020	1-5/8"-12	1-1/4"-11-1/2	27.38	31.75	58.90	60.50	41 mm	50 mm	50 mm	Metric
DAJC1928M-2024	1-5/8"-12	1-1/2"-11-1/2	27.38	38.10	48.77	63.91	50 mm	50 mm	50 mm	Metric
DAJC1928M-2020IN	1-5/8"-12	1-1/4"-11-1/2	27.38	31.75	58.90	60.50	1-5/8"	2"	2"	Imperial
DAJC1928M-2024IN	1-5/8"-12	1-1/2"-11-1/2	27.38	38.10	48.77	63.91	1-7/8"	2"	2"	Imperial
DAJC1928M-2424	1-7/8"-12	1-1/2"-11-1/2	33.32	38.10	48.77	65.78	50 mm	58 mm	58 mm	Metric
DAJC1928M-2424IN	1-7/8"-12	1-1/2"-11-1/2	33.32	38.10	48.77	65.78	1-7/8"	2-1/4"	2-1/4"	Imperial
DAJC1928M-3232	2-1/2"-12	2"-11-1/2	45.24	49.23	61.98	76.20	60 mm	73 mm	73 mm	Metric
DAJC1928M-3232IN	2-1/2"-12	2"-11-1/2	45.24	49.23	61.98	76.20	2-1/2"	2-7/8"	2-7/8"	Imperial

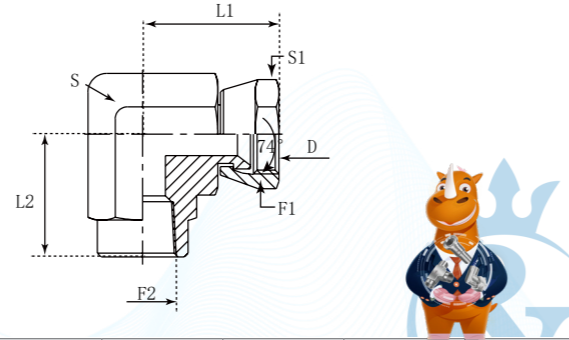
DAJC1928F

90° Elbow Connector JIC Swivel Female – NPTF Female

D	A	JC	1	9	28	F
Company	Product Range	Thread Types	Connection Type	Adaptor Structure	Thread Types	Connection Type
DME	Adaptor	JIC UNF	Swivel Female	90° Elbow	NPTF	Female



- DME&JDE Code:** DAJC1928F
- Product Type:** Hydraulic adaptor
- Standard:** JIC and SAE-ORB
- Structure:** 90° Elbow
- Connection Type:** Swivel Female x Female
- Thread Types:** UNF x NPTF



PART NUMBER	F1 (Thread)	F2 (Thread)	D	L1	L2	S	S1	Hex
#	UNF	NPTF	mm	mm	mm	-	-	-
DAJC1928F-0404	7/16"-20	1/4"-18	4.37	30.00	22.40	19 mm	14 mm	Metric
DAJC1928F-0406	7/16"-20	3/8"-18	4.37	33.30	25.90	22 mm	14 mm	Metric
DAJC1928F-0404IN	7/16"-20	1/4"-18	4.37	30.00	22.40	3/4"	9/16"	Imperial
DAJC1928F-0406IN	7/16"-20	3/8"-18	4.37	33.30	25.90	7/8"	9/16"	Imperial
DAJC1928F-0604	9/16"-18	1/4"-18	7.54	32.70	22.40	19 mm	17 mm	Metric
DAJC1928F-0606	9/16"-18	3/8"-18	7.54	37.80	25.90	22 mm	17 mm	Metric
DAJC1928F-0608	9/16"-18	1/2"-14	7.54	37.80	31.20	27 mm	17 mm	Metric
DAJC1928F-0604IN	9/16"-18	1/4"-18	7.54	32.70	22.40	3/4"	11/16"	Imperial
DAJC1928F-0606IN	9/16"-18	3/8"-18	7.54	37.80	25.90	7/8"	11/16"	Imperial
DAJC1928F-0608IN	9/16"-18	1/2"-14	7.54	37.80	31.20	1-1/16"	11/16"	Imperial
DAJC1928F-0806	3/4"-16	3/8"-18	9.93	38.90	25.90	22 mm	22 mm	Metric
DAJC1928F-0808	3/4"-16	1/2"-14	9.93	39.50	31.20	27 mm	22 mm	Metric
DAJC1928F-0806IN	3/4"-16	3/8"-18	9.93	38.90	25.90	7/8"	7/8"	Imperial
DAJC1928F-0808IN	3/4"-16	1/2"-14	9.93	39.50	31.20	1-1/16"	7/8"	Imperial
DAJC1928F-1008	7/8"-14	1/2"-14	12.29	41.30	31.20	27 mm	27 mm	Metric
DAJC1928F-1008IN	7/8"-14	1/2"-14	12.29	41.30	31.20	1-1/16"	1"	Imperial
DAJC1928F-1212	1-1/16"-12	3/4"-14	15.47	47.40	34.50	33 mm	32 mm	Metric
DAJC1928F-1212IN	1-1/16"-12	3/4"-14	15.47	47.40	34.50	1-5/16"	1-1/4"	Imperial
DAJC1928F-1616	1-5/16"-12	1"-11-1/2	21.44	57.10	41.20	41 mm	41 mm	Metric
DAJC1928F-1616IN	1-5/16"-12	1"-11-1/2	21.44	57.10	41.20	1-5/8"	1-1/2"	Imperial

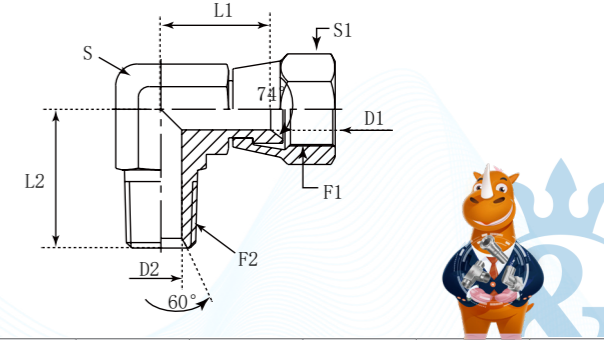
DAJC1907M

90° Elbow JIC Swivel Female – BSPT Male 60°

D	A	JC	1	9	07	M
Company	Product Range	Thread Types	Connection Type	Adaptor Structure	Thread Types	Connection Type
DME	Adaptor	JIC UNF	Swivel Female	90° Elbow	BSPT	Male



- DME&JDE Code:** DAJC1907M
- Product Type:** Hydraulic adaptor
- Standard:** JIC and SAE-ORB
- Structure:** 90° Elbow
- Connection Type:** Swivel Female x Male
- Thread Types:** UNF x BSPT 60°



PART NUMBER	F1 (Thread)	F2 (Thread)	D1	D2	L1	L2	S	S1
#	UNF	BSPT	mm	mm	mm	mm	mm	mm
DAJC1907M-0402	7/16"-20	1/8"-28	4.37	4.5	18	19.8	11	14
DAJC1907M-0404	7/16"-20	1/4"-19	4.37	6.00	18.80	26.50	14	14
DAJC1907M-0604	9/16"-18	1/4"-19	7.54	6.00	22.22	27.70	14	19
DAJC1907M-0606	9/16"-18	3/8"-19	7.54	9.00	23.10	31.00	19	19
DAJC1907M-0612	9/16"-18	3/4"-14	7.54	16.70	26.80	39.30	27	17.45
DAJC1907M-0806	3/4"-16	3/8"-19	9.93	9.00	24.33	31.00	19	22.23
DAJC1907M-0808	3/4"-16	1/2"-14	9.93	12.00	27.20	37.50	22	22.23
DAJC1907M-1006	7/8"-14	3/8"-19	9.93	9.00	26.16	32.50	22	22
DAJC1907M-1008	7/8"-14	1/2"-14	12.29	12.00	28.45	37.34	22	27
DAJC1907M-1212	1-1/16"-12	3/4"-14	15.47	16.70	30.18	40.50	27	31.75
DAJC1907M-1616	1-5/16"-12	1"-11	21.44	22.20	35.71	50.00	33	38.1

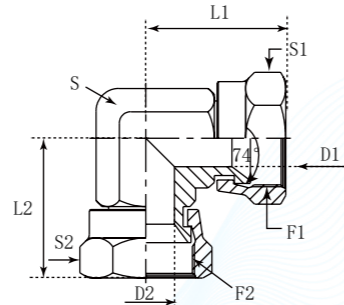
DAJC19251

90° Elbow Connector JIC Swivel Female – JIC Swivel Female

D	A	JC	1	9	251
Company	Product Range	Thread Types	Connection Type	Adaptor Structure	Connection Type
DME	Adaptor	JIC UNF	Swivel Female	90° Elbow	JIC Swivel Female



- DME&JDE Code: **DAJC19251**
- Product Type: **Hydraulic adaptor**
- Standard: **JIC and SAE-ORB**
- Structure: **90° Elbow**
- Connection Type: **Swivel Female x Swivel Female**
- Thread Types: **UNF x UNF**



PART NUMBER	F1 (Thread)	F2 (Thread)	D1	D2	L1	L2	S	S1	S2	Hex
#	UNF	UNF	mm	mm	mm	mm	-	-	-	-
DAJC19251-0404	7/16"-20	7/16"-20	4.37	4.37	24.50	24.50	11 mm	14 mm	14 mm	Metric
DAJC19251-0404IN	7/16"-20	7/16"-20	4.37	4.37	24.50	24.50	7/16"	9/16"	9/16"	Imperial
DAJC19251-0505	1/2"-20	1/2"-20	5.94	5.94	27.00	27.00	14 mm	17 mm	17 mm	Metric
DAJC19251-0505IN	1/2"-20	1/2"-20	5.94	5.94	27.00	27.00	9/16"	5/8"	5/8"	Imperial
DAJC19251-0606	9/16"-18	9/16"-18	7.54	7.54	32.00	32.00	14 mm	19 mm	19 mm	Metric
DAJC19251-0606IN	9/16"-18	9/16"-18	7.54	7.54	32.00	32.00	9/16"	11/16"	11/16"	Imperial
DAJC19251-0808	3/4"-16	3/4"-16	9.93	9.93	35.10	35.10	19 mm	22 mm	22 mm	Metric
DAJC19251-0808IN	3/4"-16	3/4"-16	9.93	9.93	35.10	35.10	3/4"	7/8"	7/8"	Imperial
DAJC19251-1010	7/8"-14	7/8"-14	12.29	12.29	41.30	41.30	22 mm	27 mm	27 mm	Metric
DAJC19251-1010IN	7/8"-14	7/8"-14	12.29	12.29	41.30	41.30	7/8"	1"	1"	Imperial
DAJC19251-1212	1-1/16"-12	1-1/16"-12	15.47	15.47	45.00	45.00	27 mm	32 mm	32 mm	Metric
DAJC19251-1212IN	1-1/16"-12	1-1/16"-12	15.47	15.47	45.00	45.00	1-1/16"	1-1/4"	1-1/4"	Imperial
DAJC19251-1616	1-5/16"-12	1-5/16"-12	21.44	21.44	51.40	51.40	33 mm	41 mm	41 mm	Metric
DAJC19251-1616IN	1-5/16"-12	1-5/16"-12	21.44	21.44	51.40	51.40	1-5/16"	1-1/2"	1-1/2"	Imperial

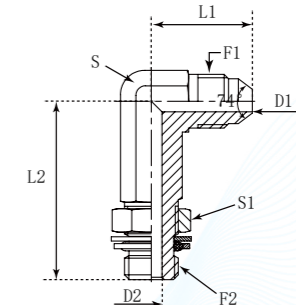
DAJCM906Y

90° Adjustable Long Elbow JIC Male – BSPP Male + O Ring + Retaining Ring

D	A	JC	M	9	06	Y
Company	Product Range	Thread Types	Connection Type	Adaptor Structure	Thread Types	Connection Type
DME	Adaptor	JIC UNF	Male	90° Elbow	BSPP	Male + Long O Ring + Retaining Ring



- DME&JDE Code: **DAJCM906Y**
- Product Type: **Hydraulic adaptor**
- Standard: **JIC and SAE-ORB**
- Structure: **90° Elbow**
- Connection Type: **Adjustable Male x Male**
- Thread Types: **UNF x BSPP**
- Sealing Method: **Long O Ring + Retaining Ring**



PART NUMBER	F1 (Thread)	F2 (Thread)	D1	D2	L1	L2	S	S1
#	UNF	BSPP	mm	mm	mm	mm	mm	mm
DAJCM906Y-0402	7/16"-20	1/8"-28	4.37	4.37	22.50	46.00	11	14
DAJCM906Y-0404	7/16"-20	1/4"-19	4.37	7.50	27.00	56.50	14	19
DAJCM906Y-0406	7/16"-20	3/8"-19	4.37	9.90	28.50	67.00	19	22
DAJCM906Y-0408	7/16"-20	1/2"-14	4.37	12.30	31.00	78.00	22	27
DAJCM906Y-0502	1/2"-20	1/8"-28	5.94	4.40	24.00	49.50	14	14
DAJCM906Y-0504	1/2"-20	1/4"-19	5.94	7.50	27.00	56.50	14	19
DAJCM906Y-0506	1/2"-20	3/8"-19	5.94	9.90	28.50	67.00	19	22
DAJCM906Y-0604	9/16"-18	1/4"-19	7.54	7.50	27.00	56.50	14	19
DAJCM906Y-0606	9/16"-18	3/8"-19	7.54	9.90	28.50	67.00	19	22
DAJCM906Y-0608	9/16"-18	1/2"-14	7.54	12.30	31.00	78.00	22	27
DAJCM906Y-0804	3/4"-16	1/4"-19	9.93	7.50	31.50	64.00	19	19
DAJCM906Y-0806	3/4"-16	3/8"-19	9.93	9.90	31.50	67.00	19	22
DAJCM906Y-0808	3/4"-16	1/2"-14	9.93	12.30	34.00	78.00	22	27
DAJCM906Y-0812	3/4"-16	3/4"-14	9.93	15.50	37.00	92.00	27	32
DAJCM906Y-1006	7/8"-14	3/8"-19	12.29	9.90	36.50	75.00	22	22
DAJCM906Y-1008	7/8"-14	1/2"-14	12.29	12.30	36.50	78.00	22	27
DAJCM906Y-1012	7/8"-14	3/4"-14	12.29	15.50	39.50	92.00	27	32
DAJCM906Y-1208	1-1/16"-12	1/2"-14	15.47	12.30	42.00	88.00	27	27
DAJCM906Y-1212	1-1/16"-12	3/4"-14	15.47	15.50	42.00	92.00	27	32
DAJCM906Y-1216	1-1/16"-12	1"-11	15.47	21.50	44.50	105.00	33	41
DAJCM906Y-1412	1-3/16"-12	3/4"-14	18.26	15.50	44.00	99.00	33	32
DAJCM906Y-1612	1-5/16"-12	3/4"-14	21.44	15.50	46.00	105.00	33	32
DAJCM906Y-1616	1-5/16"-12	1"-11	21.44	21.50	46.00	105.00	33	41
DAJCM906Y-1620	1-5/16"-12	1-1/4"-11	21.44	27.50	51.00	124.00	41	50
DAJCM906Y-2016	1-5/8"-12	1"-11	27.38	21.50	52.00	124.00	41	41
DAJCM906Y-2020	1-5/8"-12	1-1/4"-11	27.38	27.50	52.00	124.00	41	50
DAJCM906Y-2420	1-7/8"-12	1-1/4"-11	33.32	27.50	59.00	135.00	48	50
DAJCM906Y-2424	1-7/8"-12	1-1/2"-11	33.32	33.00	59.00	135.00	48	55



DAJCM906J

90° Adjustable Long Elbow JIC Male – BSPP Male + O Ring

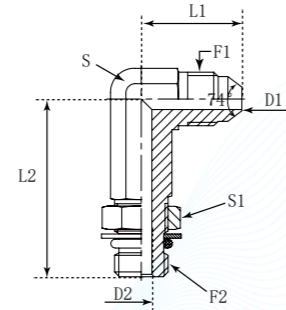
D	A	JC	M	9	06	J
Company	Product Range	Thread Types	Connection Type	Adaptor Structure	Thread Types	Connection Type
DME	Adaptor	JIC UNF	Male	90° Elbow	BSPP	Male + Long O Ring

German Technology Equipment

SHIELD FLEX

New-Standard

- DME&JDE Code: **DAJCM906J**
- Product Type: **Hydraulic adaptor**
- Standard: **JIC and SAE-ORB**
- Structure: **90° Elbow**
- Connection Type: **Adjustable Male x Male**
- Thread Types: **UNF x BSPP**
- Sealing Method: **Long O Ring**



PART NUMBER	F1 (Thread)	F2 (Thread)	D1	D2	L1	L2	S	S1
#	UNF	BSPP	mm	mm	mm	mm	mm	mm
DAJCM906J-0402	7/16"-20	1/8"-28	4.37	4.37	22.50	46.00	11	14
DAJCM906J-0404	7/16"-20	1/4"-19	4.37	7.50	27.00	56.50	14	19
DAJCM906J-0406	7/16"-20	3/8"-19	4.37	9.90	28.50	67.00	19	22
DAJCM906J-0408	7/16"-20	1/2"-14	4.37	12.30	31.00	78.00	22	27
DAJCM906J-0502	1/2"-20	1/8"-28	5.94	4.40	24.00	49.50	14	14
DAJCM906J-0504	1/2"-20	1/4"-19	5.94	7.50	27.00	56.50	14	19
DAJCM906J-0506	1/2"-20	3/8"-19	5.94	9.90	28.50	67.00	19	22
DAJCM906J-0604	9/16"-18	1/4"-19	7.54	7.50	27.00	56.50	14	19
DAJCM906J-0606	9/16"-18	3/8"-19	7.54	9.90	28.50	67.00	19	22
DAJCM906J-0608	9/16"-18	1/2"-14	7.54	12.30	31.00	78.00	22	27
DAJCM906J-0804	3/4"-16	1/4"-19	9.93	7.50	31.50	64.00	19	19
DAJCM906J-0806	3/4"-16	3/8"-19	9.93	9.90	31.50	67.00	19	22
DAJCM906J-0808	3/4"-16	1/2"-14	9.93	12.30	34.00	78.00	22	27
DAJCM906J-0812	3/4"-16	3/4"-14	9.93	15.50	37.00	92.00	27	32
DAJCM906J-1006	7/8"-14	3/8"-19	12.29	9.90	36.50	75.00	22	22
DAJCM906J-1008	7/8"-14	1/2"-14	12.29	12.30	36.50	78.00	22	27
DAJCM906J-1012	7/8"-14	3/4"-14	12.29	15.50	39.50	92.00	27	32
DAJCM906J-1208	1-1/16"-12	1/2"-14	15.47	12.30	42.00	88.00	27	27
DAJCM906J-1212	1-1/16"-12	3/4"-14	15.47	15.50	42.00	92.00	27	32
DAJCM906J-1216	1-1/16"-12	1"-11	15.47	21.50	44.50	105.00	33	41
DAJCM906J-1412	1-3/16"-12	3/4"-14	18.26	15.50	44.00	99.00	33	32
DAJCM906J-1612	1-5/16"-12	3/4"-14	21.44	15.50	46.00	105.00	33	32
DAJCM906J-1616	1-5/16"-12	1"-11	21.44	21.50	46.00	105.00	33	41
DAJCM906J-1620	1-5/16"-12	1-1/4"-11	21.44	27.50	51.00	124.00	41	50
DAJCM906J-2016	1-5/8"-12	1"-11	27.38	21.50	52.00	124.00	41	41
DAJCM906J-2020	1-5/8"-12	1-1/4"-11	27.38	27.50	52.00	124.00	41	50
DAJCM906J-2420	1-7/8"-12	1-1/4"-11	33.32	27.50	59.00	135.00	48	50
DAJCM906J-2424	1-7/8"-12	1-1/2"-11	33.32	33.00	59.00	135.00	48	55

DAJCM952Y

90° Adjustable Long Elbow JIC Male – Metric Male + O Ring + Retaining Ring

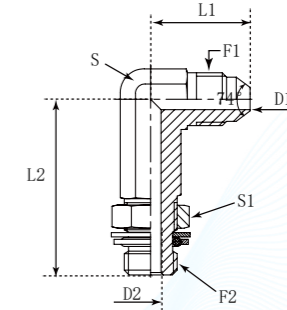
D	A	JC	M	9	52	Y
Company	Product Range	Thread Types	Connection Type	Adaptor Structure	Thread Types	Connection Type
DME	Adaptor	JIC UNF	Male	90° Elbow	Metric	Male + Long O Ring + Retaining Ring

German Technology Equipment

SHIELD FLEX

New-Standard

- DME&JDE Code: **DAJCM952Y**
- Product Type: **Hydraulic adaptor**
- Standard: **JIC and SAE-ORB**
- Structure: **90° Elbow**
- Connection Type: **Male x Male**
- Thread Types: **UNF x Metric**
- Sealing Method: **Long O Ring + Retaining Ring**



PART NUMBER	F1 (Thread)	F2 (Thread)	D1	D2	L1	L2	S	S1
#	UNF	Metric	mm	mm	mm	mm	mm	mm
DAJCM952Y-0410	7/16"-20	M10X1	4.37	3.00	22.50	46.00	11	14
DAJCM952Y-0412	7/16"-20	M12X1.5	4.37	4.00	27.00	53.50	14	17
DAJCM952Y-0510	1/2"-20	M10X1	5.94	4.50	24.00	49.50	14	14
DAJCM952Y-0512	1/2"-20	M12X1.5	5.94	4.00	27.00	53.50	14	17
DAJCM952Y-0514	1/2"-20	M14X1.5	5.94	7.50	27.00	56.50	14	19
DAJCM952Y-0614	9/16"-18	M14X1.5	7.54	6.00	27.00	56.50	14	19
DAJCM952Y-0616	9/16"-18	M16X1.5	7.54	7.00	28.50	67.00	19	22
DAJCM952Y-0816	3/4"-16	M16X1.5	9.93	7.00	31.50	67.00	19	22
DAJCM952Y-0818	3/4"-16	M18X1.5	9.93	9.00	31.50	67.00	19	24
DAJCM952Y-1018	7/8"-14	M18X1.5	12.29	9.00	36.50	75.00	22	24
DAJCM952Y-1020	7/8"-14	M20X1.5	12.29	10.00	36.50	78.00	22	27
DAJCM952Y-1022	7/8"-14	M22X1.5	12.29	12.00	36.50	78.00	22	27
DAJCM952Y-1222	1-1/16"-12	M22X1.5	15.47	12.00	42.00	88.00	27	27
DAJCM952Y-1226	1-1/16"-12	M26X1.5	15.47	15.00	42.00	95.00	27	32
DAJCM952Y-1227	1-1/16"-12	M27X2	15.47	15.00	42.00	95.00	27	32
DAJCM952Y-1627	1-5/16"-12	M27X2	21.44	15.00	46.00	105.00	33	32
DAJCM952Y-1633	1-5/16"-12	M33X2	21.44	20.00	46.00	105.00	33	41
DAJCM952Y-2042	1-5/8"-12	M42X2	27.38	26.00	52.00	124.00	41	50
DAJCM952Y-2448	1-7/8"-12	M48X2	33.32	32.00	59.00	141.00	48	55

Certificate:

DAJCM952J

90° Adjustable Long Elbow JIC Male – Metric Male + O Ring

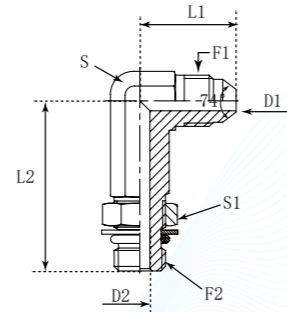
D	A	JC	M	9	52	J
Company	Product Range	Thread Types	Connection Type	Adaptor Structure	Thread Types	Connection Type
DME	Adaptor	JIC UNF	Male	90° Elbow	Metric	Male + Long O Ring

German Technology Equipment

SHIELD FLEX

New-Standard

- DME&JDE Code: **DAJCM952J**
- Product Type: **Hydraulic adaptor**
- Standard: **JIC and SAE-ORB**
- Structure: **90° Elbow**
- Connection Type: **Adjustable Male x Male**
- Thread Types: **UNF x Metric**
- Sealing Method: **Long O Ring**



PART NUMBER	F1 (Thread)	F2 (Thread)	D1	D2	L1	L2	S	S1
#	UNF	Metric	mm	mm	mm	mm	mm	mm
DAJCM952J-0410	7/16"-20	M10X1	4.37	3.00	22.50	46.00	11	14
DAJCM952J-0412	7/16"-20	M12X1.5	4.37	4.00	27.00	53.50	14	17
DAJCM952J-0510	1/2"-20	M10X1	5.94	4.50	24.00	49.50	14	14
DAJCM952J-0512	1/2"-20	M12X1.5	5.94	4.00	27.00	53.50	14	17
DAJCM952J-0514	1/2"-20	M14X1.5	5.94	7.50	27.00	56.50	14	19
DAJCM952J-0614	9/16"-18	M14X1.5	7.54	6.00	27.00	56.50	14	19
DAJCM952J-0616	9/16"-18	M16X1.5	7.54	7.00	28.50	67.00	19	22
DAJCM952J-0816	3/4"-16	M16X1.5	9.93	7.00	31.50	67.00	19	22
DAJCM952J-0818	3/4"-16	M18X1.5	9.93	9.00	31.50	67.00	19	24
DAJCM952J-1018	7/8"-14	M18X1.5	12.29	9.00	36.50	75.00	22	24
DAJCM952J-1020	7/8"-14	M20X1.5	12.29	10.00	36.50	78.00	22	27
DAJCM952J-1022	7/8"-14	M22X1.5	12.29	12.00	36.50	78.00	22	27
DAJCM952J-1222	1-1/16"-12	M22X1.5	15.47	12.00	42.00	88.00	27	27
DAJCM952J-1226	1-1/16"-12	M26X1.5	15.47	15.00	42.00	95.00	27	32
DAJCM952J-1227	1-1/16"-12	M27X2	15.47	15.00	42.00	95.00	27	32
DAJCM952J-1627	1-5/16"-12	M27X2	21.44	15.00	46.00	105.00	33	32
DAJCM952J-1633	1-5/16"-12	M33X2	21.44	20.00	46.00	105.00	33	41
DAJCM952J-2042	1-5/8"-12	M42X2	27.38	26.00	52.00	124.00	41	50
DAJCM952J-2448	1-7/8"-12	M48X2	33.32	32.00	59.00	141.00	48	55

DAJCM928P

90° Long Elbow Connector JIC Male – NPTF Male

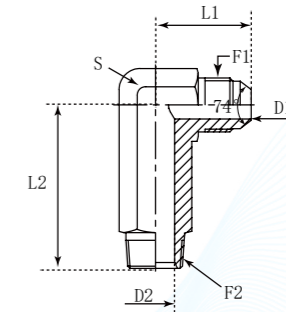
D	A	JC	M	9	28	P
Company	Product Range	Thread Types	Connection Type	Adaptor Structure	Thread Types	Elbow Type
DME	Adaptor	JIC UNF	Male	90° Elbow	NPTF	Long Elbow

German Technology Equipment

SHIELD FLEX

New-Standard

- DME&JDE Code: **DAJCM928P**
- Product Type: **Hydraulic adaptor**
- Standard: **JIC and SAE-ORB**
- Structure: **90° Elbow**
- Connection Type: **Male x Male**
- Thread Types: **UNF x NPTF**



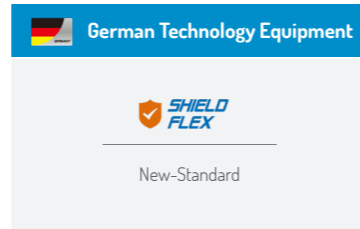
PART NUMBER	F1 (Thread)	F2 (Thread)	D1	D2	L1	L2	S	Hex
#	UNF	NPTF	mm	mm	mm	mm	-	-
DAJCM928P-0402	7/16"-20	1/8"-27	4.37	4.78	22.60	29.70	11 mm	Metric
DAJCM928P-0404	7/16"-20	1/4"-18	4.37	7.14	26.70	36.60	14 mm	Metric
DAJCM928P-0402IN	7/16"-20	1/8"-27	4.37	4.78	22.60	29.70	7/16"	Imperial
DAJCM928P-0404IN	7/16"-20	1/4"-18	4.37	7.14	26.70	36.60	9/16"	Imperial
DAJCM928P-0502	1/2"-20	1/8"-27	5.94	4.78	26.90	29.70	14 mm	Metric
DAJCM928P-0504	1/2"-20	1/4"-18	5.94	7.14	26.70	37.60	14 mm	Metric
DAJCM928P-0502IN	1/2"-20	1/8"-27	5.94	4.78	26.90	29.70	9/16"	Imperial
DAJCM928P-0504IN	1/2"-20	1/4"-18	5.94	7.14	26.70	37.60	9/16"	Imperial
DAJCM928P-0602	9/16"-18	1/8"-27	7.54	4.78	26.90	31.20	14 mm	Metric
DAJCM928P-0604	9/16"-18	1/4"-18	7.54	7.14	26.90	39.60	14 mm	Metric
DAJCM928P-0606	9/16"-18	3/8"-18	7.54	10.31	29.00	46.20	19 mm	Metric
DAJCM928P-0608	9/16"-18	1/2"-14	7.54	13.49	31.00	55.70	22 mm	Metric
DAJCM928P-0602IN	9/16"-18	1/8"-27	7.54	4.78	26.90	31.20	9/16"	Imperial
DAJCM928P-0604IN	9/16"-18	1/4"-18	7.54	7.14	26.90	39.60	9/16"	Imperial
DAJCM928P-0606IN	9/16"-18	3/8"-18	7.54	10.31	29.00	46.20	3/4"	Imperial
DAJCM928P-0608IN	9/16"-18	1/2"-14	7.54	13.49	31.00	55.70	7/8"	Imperial
DAJCM928P-0804	3/4"-16	1/4"-18	9.93	7.14	31.80	46.20	19 mm	Metric
DAJCM928P-0806	3/4"-16	3/8"-18	9.93	10.31	31.80	45.20	19 mm	Metric
DAJCM928P-0808	3/4"-16	1/2"-14	9.93	13.49	33.80	55.12	22 mm	Metric
DAJCM928P-0812	3/4"-16	3/4"-14	9.93	18.26	36.10	61.90	27 mm	Metric
DAJCM928P-0804IN	3/4"-16	1/4"-18	9.93	7.14	31.80	46.20	3/4"	Imperial
DAJCM928P-0806IN	3/4"-16	3/8"-18	9.93	10.31	31.80	45.20	3/4"	Imperial
DAJCM928P-0808IN	3/4"-16	1/2"-14	9.93	13.49	33.80	55.12	7/8"	Imperial
DAJCM928P-0812IN	3/4"-16	3/4"-14	9.93	18.26	36.10	61.90	1-1/16"	Imperial
DAJCM928P-1008	7/8"-14	1/2"-14	12.29	13.49	36.80	54.90	22 mm	Metric
DAJCM928P-1012	7/8"-14	3/4"-14	12.29	18.26	39.10	63.00	27 mm	Metric
DAJCM928P-1008IN	7/8"-14	1/2"-14	12.29	13.49	36.80	54.90	7/8"	Imperial
DAJCM928P-1012IN	7/8"-14	3/4"-14	12.29	18.26	39.10	63.00	1-1/16"	Imperial
DAJCM928P-1208	1-1/16"-12	1/2"-14	15.47	13.49	42.20	62.00	27 mm	Metric
DAJCM928P-1212	1-1/16"-12	3/4"-14	15.47	18.26	42.20	61.90	27 mm	Metric
DAJCM928P-1216	1-1/16"-12	1"-11-1/2	15.47	23.83	44.70	76.50	33 mm	Metric
DAJCM928P-1208IN	1-1/16"-12	1/2"-14	15.47	13.49	42.20	62.00	1-1/16"	Imperial
DAJCM928P-1212IN	1-1/16"-12	3/4"-14	15.47	18.26	42.20	61.90	1-1/16"	Imperial
DAJCM928P-1216IN	1-1/16"-12	1"-11-1/2	15.47	23.83	44.70	76.50	1-5/16"	Imperial
DAJCM928P-1412	1-3/16"-12	3/4"-14	18.26	18.26	45.70	65.80	33 mm	Metric
DAJCM928P-1412IN	1-3/16"-12	3/4"-14	18.26	18.26	45.70	65.80	1-5/16"	Imperial
DAJCM928P-1612	1-5/16"-12	3/4"-14	21.44	18.26	46.00	66.80	33 mm	Metric
DAJCM928P-1616	1-5/16"-12	1"-11-1/2	21.44	23.83	46.00	76.60	33 mm	Metric
DAJCM928P-1612IN	1-5/16"-12	3/4"-14	21.44	18.26	46.00	66.80	1-5/16"	Imperial
DAJCM928P-1616IN	1-5/16"-12	1"-11-1/2	21.44	23.83	46.00	76.60	1-5/16"	Imperial
DAJCM928P-2020	1-5/8"-12	1-1/4"-11-1/2	27.38	31.75	52.30	93.70	41 mm	Metric
DAJCM928P-2020IN	1-5/8"-12	1-1/4"-11-1/2	27.38	31.75	52.30	93.70	1-5/8"	Imperial
DAJCM928P-2424	1-7/8"-12	1-1/2"-11-1/2	33.32	38.10	59.20	104.40	48 mm	Metric
DAJCM928P-2424IN	1-7/8"-12	1-1/2"-11-1/2	33.32	38.10	59.20	104.40	1-7/8"	Imperial

Certificate:

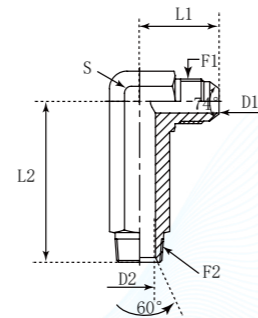
DAJCM9289

90° Extra Long Elbow Connector JIC Male – NPTF Male

D	A	JC	M	9	28	9
Company	Product Range	Thread Types	Connection Type	Adaptor Structure	Thread Types	Elbow Type
DME	Adaptor	JIC UNF	Male	90° Elbow	NPTF	Extra Long Elbow



- DME&JDE Code:** DAJCM9289
- Product Type:** Hydraulic adaptor
- Standard:** JIC and SAE-ORB
- Structure:** 90° Extra Elbow
- Connection Type:** Male x Male
- Thread Types:** UNF x NPTF



PART NUMBER #	F1 (Thread) UNF	F2 (Thread) NPTF	D1 mm	D2 mm	L1 mm	L2 mm	S -	Hex -
DAJCM9289-0402	7/16"-20	1/8"-27	4.37	4.78	22.60	39.60	11 mm	Metric
DAJCM9289-0404	7/16"-20	1/4"-18	4.37	7.14	26.70	52.58	14 mm	Metric
DAJCM9289-0402IN	7/16"-20	1/8"-27	4.37	4.78	22.60	39.60	7/16"	Imperial
DAJCM9289-0404IN	7/16"-20	1/4"-18	4.37	7.14	26.70	52.58	9/16"	Imperial
DAJCM9289-0502	1/2"-20	1/8"-27	5.94	4.78	24.10	41.40	14 mm	Metric
DAJCM9289-0504	1/2"-20	1/4"-18	5.94	7.14	26.70	52.30	14 mm	Metric
DAJCM9289-0502IN	1/2"-20	1/8"-27	5.94	4.78	24.10	41.40	9/16"	Imperial
DAJCM9289-0504IN	1/2"-20	1/4"-18	5.94	7.14	26.70	52.30	9/16"	Imperial
DAJCM9289-0602	9/16"-18	1/8"-27	7.54	4.78	26.90	41.40	14 mm	Metric
DAJCM9289-0604	9/16"-18	1/4"-18	7.54	7.14	26.90	52.60	14 mm	Metric
DAJCM9289-0606	9/16"-18	3/8"-18	7.54	10.31	29.00	61.47	19 mm	Metric
DAJCM9289-0608	9/16"-18	1/2"-14	7.54	13.49	31.00	72.90	22 mm	Metric
DAJCM9289-0602IN	9/16"-18	1/8"-27	7.54	4.78	26.90	41.40	9/16"	Imperial
DAJCM9289-0604IN	9/16"-18	1/4"-18	7.54	7.14	26.90	52.60	9/16"	Imperial
DAJCM9289-0606IN	9/16"-18	3/8"-18	7.54	10.31	29.00	61.47	3/4"	Imperial
DAJCM9289-0608IN	9/16"-18	1/2"-14	7.54	13.49	31.00	72.90	7/8"	Imperial
DAJCM9289-0804	3/4"-16	1/4"-18	9.93	7.14	31.80	61.47	19 mm	Metric
DAJCM9289-0806	3/4"-16	3/8"-18	9.93	10.31	31.80	59.40	19 mm	Metric
DAJCM9289-0808	3/4"-16	1/2"-14	9.93	13.49	33.80	72.90	22 mm	Metric
DAJCM9289-0812	3/4"-16	3/4"-14	9.93	18.26	36.10	83.30	27 mm	Metric
DAJCM9289-0804IN	3/4"-16	1/4"-18	9.93	7.14	31.80	61.47	3/4"	Imperial
DAJCM9289-0808IN	3/4"-16	1/2"-14	9.93	13.49	33.80	72.90	7/8"	Imperial
DAJCM9289-0812IN	3/4"-16	3/4"-14	9.93	18.26	36.10	83.30	1-1/16"	Imperial
DAJCM9289-1006	7/8"-14	3/8"-18	12.29	10.31	36.80	59.40	22 mm	Metric
DAJCM9289-1008	7/8"-14	1/2"-14	12.29	13.49	36.80	72.90	22 mm	Metric
DAJCM9289-1012	7/8"-14	3/4"-14	12.29	18.26	39.12	83.30	27 mm	Metric
DAJCM9289-1006IN	7/8"-14	3/8"-18	12.29	10.31	36.80	59.40	7/8"	Imperial
DAJCM9289-1008IN	7/8"-14	1/2"-14	12.29	13.49	36.80	72.90	7/8"	Imperial
DAJCM9289-1012IN	7/8"-14	3/4"-14	12.29	18.26	39.12	83.30	1-1/16"	Imperial
DAJCM9289-1208	1-1/16"-12	1/2"-14	15.47	13.49	42.20	83.30	27 mm	Metric
DAJCM9289-1212	1-1/16"-12	3/4"-14	15.47	18.26	42.20	83.30	27 mm	Metric
DAJCM9289-1208IN	1-1/16"-12	1/2"-14	15.47	13.49	42.20	83.30	1-1/16"	Imperial
DAJCM9289-1212IN	1-1/16"-12	3/4"-14	15.47	18.26	42.20	83.30	1-1/16"	Imperial
DAJCM9289-1412	1-3/16"-12	3/4"-14	18.26	18.26	45.70	88.90	33 mm	Metric
DAJCM9289-1412IN	1-3/16"-12	3/4"-14	18.26	18.26	45.70	88.90	1-5/16"	Imperial
DAJCM9289-1612	1-5/16"-12	3/4"-14	21.44	18.26	46.00	98.00	33 mm	Metric
DAJCM9289-1616	1-5/16"-12	1"-11-1/2	21.44	23.83	46.00	102.90	33 mm	Metric
DAJCM9289-1612IN	1-5/16"-12	3/4"-14	21.44	18.26	46.00	98.00	1-5/16"	Imperial
DAJCM9289-1616IN	1-5/16"-12	1"-11-1/2	21.44	23.83	46.00	102.90	1-5/16"	Imperial
DAJCM9289-2016	1-5/8"-12	1"-11-1/2	27.38	23.83	52.30	102.90	41 mm	Metric
DAJCM9289-2020	1-5/8"-12	1-1/4"-11-1/2	27.38	31.75	52.30	127.00	41 mm	Metric
DAJCM9289-2016IN	1-5/8"-12	1"-11-1/2	27.38	23.83	52.30	102.90	1-5/8"	Imperial
DAJCM9289-2020IN	1-5/8"-12	1-1/4"-11-1/2	27.38	31.75	52.30	127.00	1-5/8"	Imperial
DAJCM9289-2424	1-7/8"-12	1-1/2"-11-1/2	33.32	38.10	59.20	141.00	48 mm	Metric
DAJCM9289-2424IN	1-7/8"-12	1-1/2"-11-1/2	33.32	38.10	59.20	141.00	1-7/8"	Imperial
DAJCM9289-3232	2-1/2"-12	2"-11-1/2	45.24	49.23	77.70	160.00	65 mm	Metric
DAJCM9289-3232IN	2-1/2"-12	2"-11-1/2	45.24	49.23	77.70	160.00	2-1/2"	Imperial



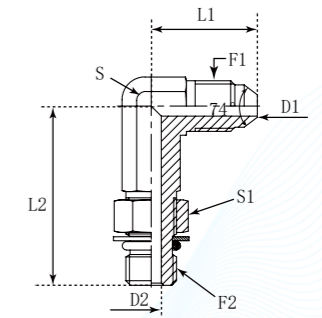
DAJCM906P

90° Adjustable Long Elbow JIC Male – SAE Male + O Ring + Retaining Ring

D	A	JC	M	9	06	P
Company	Product Range	Thread Types	Connection Type	Adaptor Structure	Thread Types	Connection Type
DME	Adaptor	JIC UNF	Male	90° Elbow	SAE UNF	Male + Long O Ring + Retaining Ring



- DME&JDE Code:** DAJCM906P
- Product Type:** Hydraulic adaptor
- Standard:** JIC and SAE-ORB
- Structure:** 90° Elbow
- Connection Type:** Adjustable Male x Male
- Thread Types:** UNF x UNF
- Sealing Method:** Long O Ring + Retaining Ring



PART NUMBER #	F1 (Thread) UNF	F2 (Thread) UNF	D1 mm	D2 mm	L1 mm	L2 mm	S mm	Inch	S1 mm	Inch
DAJCM906P-0404	7/16"-20	7/16"-20	4.37	4.37	22.60	30.20	11	7/16"	14	9/16"
DAJCM906P-0406	7/16"-20	9/16"-18	4.37	7.54	26.70	42.30	14	9/16"	19	11/16"
DAJCM906P-0606	9/16"-18	9/16"-18	7.54	7.54	26.90	42.30	14	9/16"	19	11/16"
DAJCM906P-0608	9/16"-18	3/4"-16	7.54	9.93	29.00	46.00	19	3/4"	22	7/8"
DAJCM906P-0806	3/4"-16	9/16"-18	9.93	7.54	31.80	44.50	19	3/4"	19	11/16"
DAJCM906P-0808	3/4"-16	3/4"-16	9.93	9.93	31.80	46.00	19	3/4"	22	7/8"
DAJCM906P-0810	3/4"-16	7/8"-14	9.93	12.29	33.80	54.10	22	7/8"	27	1"
DAJCM906P-1008	7/8"-14	3/4"-16	12.29	9.93	36.80	53.34	22	7/8"	22	7/8"
DAJCM906P-1010	7/8"-14	7/8"-14	12.29	12.29	36.80	54.90	22	7/8"	27	1"
DAJCM906P-1012	7/8"-14	1-1/16"-12	12.29	15.47	39.10	66.55	27	1-1/16"	32	1-1/4"
DAJCM906P-1210	1-1/16"-12	7/8"-14	15.47	12.29	42.20	62.74	27	1-1/16"	27	1"
DAJCM906P-1212	1-1/16"-12	1-1/16"-12	15.47	15.47	39.10	57.20	27	1-1/16"	32	1-1/4"
DAJCM906P-1612	1-5/16"-12	1-1/16"-12	21.44	15.47	42.20	62.70	33	1-5/16"	32	1-1/4"
DAJCM906P-1616	1-5/16"-12	1-5/16"-12	21.44	21.44	46.00	77.70	33	1-5/16"	41	1-1/2"
DAJCM906P-2020	1-5/8"-12	1-5/8"-12	27.38	27.38	52.30	88.30	41	1-5/8"	50	1-7/8"



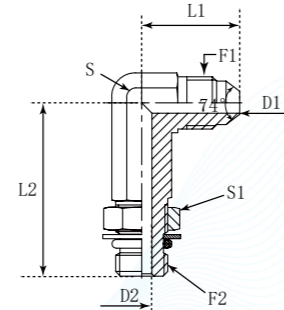
DAJCM930J

90° Adjustable X-Long Elbow JIC Male – SAE Male + O Ring

D	A	JC	M	9	30	J
Company	Product Range	Thread Types	Connection Type	Adaptor Structure	Thread Types	Connection Type
DME	Adaptor	JIC UNF	Male	90° Elbow	SAE UNF	Male + Long O Ring



- DME&JDE Code:** DAJCM930J
- Product Type:** Hydraulic adaptor
- Standard:** JIC and SAE-ORB
- Structure:** 90° Elbow
- Connection Type:** Adjustable Male x Male
- Thread Types:** UNF x UNF
- Sealing Method:** X-Long O Ring



PART NUMBER	F1 (Thread)	F2 (Thread)	L1	L2	D1	D2	S	S1	Hex
#	UNF	UNF	mm	mm	mm	mm	-	-	-
DAJCM930J-0404	7/16"-20	7/16"-20	22.60	43.90	4.37	4.37	11 mm	14 mm	Metric
DAJCM930J-0405	7/16"-20	1/2"-20	24.10	52.00	4.37	5.94	14 mm	19 mm	Metric
DAJCM930J-0406	7/16"-20	9/16"-18	26.70	52.60	4.37	7.54	14 mm	19 mm	Metric
DAJCM930J-0404IN	7/16"-20	7/16"-20	22.60	43.90	4.37	4.37	7/16"	9/16"	Imperial
DAJCM930J-0405IN	7/16"-20	1/2"-20	24.10	52.00	4.37	5.94	9/16"	11/16"	Imperial
DAJCM930J-0406IN	7/16"-20	9/16"-18	26.70	52.60	4.37	7.54	9/16"	11/16"	Imperial
DAJCM930J-0505	1/2"-20	1/2"-20	24.13	52.00	5.94	5.94	14 mm	19 mm	Metric
DAJCM930J-0505IN	1/2"-20	1/2"-20	24.13	52.00	5.94	5.94	9/16"	11/16"	Imperial
DAJCM930J-0606	9/16"-18	9/16"-18	26.90	52.80	7.54	7.54	14 mm	19 mm	Metric
DAJCM930J-0608	9/16"-18	3/4"-16	29.00	63.30	7.54	9.93	19 mm	22 mm	Metric
DAJCM930J-0610	9/16"-18	7/8"-14	33.00	73.40	7.54	12.29	22 mm	27 mm	Metric
DAJCM930J-0606IN	9/16"-18	9/16"-18	26.90	52.80	7.54	7.54	9/16"	11/16"	Imperial
DAJCM930J-0608IN	9/16"-18	3/4"-16	29.00	63.30	7.54	9.93	3/4"	7/8"	Imperial
DAJCM930J-0610IN	9/16"-18	7/8"-14	33.00	73.40	7.54	12.29	7/8"	1"	Imperial
DAJCM930J-0806	3/4"-16	9/16"-18	31.80	55.40	9.93	7.54	19 mm	19 mm	Metric
DAJCM930J-0808	3/4"-16	3/4"-16	31.80	63.30	9.93	9.93	19 mm	22 mm	Metric
DAJCM930J-0810	3/4"-16	7/8"-14	33.80	73.40	9.93	12.29	22 mm	27 mm	Metric
DAJCM930J-0812	3/4"-16	1-1/16"-12	36.10	84.80	9.93	15.47	27 mm	32 mm	Metric
DAJCM930J-0806IN	3/4"-16	9/16"-18	31.80	55.40	9.93	7.54	3/4"	11/16"	Imperial
DAJCM930J-0808IN	3/4"-16	3/4"-16	31.80	63.30	9.93	9.93	3/4"	7/8"	Imperial
DAJCM930J-0810IN	3/4"-16	7/8"-14	33.80	73.40	9.93	12.29	7/8"	1"	Imperial
DAJCM930J-0812IN	3/4"-16	1-1/16"-12	36.10	84.80	9.93	15.47	1-1/16"	1-1/4"	Imperial
DAJCM930J-1008	7/8"-14	3/4"-16	36.80	69.34	12.29	9.93	22 mm	22 mm	Metric
DAJCM930J-1010	7/8"-14	7/8"-14	36.80	73.40	12.29	12.29	22 mm	27 mm	Metric
DAJCM930J-1012	7/8"-14	1-1/16"-12	39.10	84.80	12.29	15.47	27 mm	32 mm	Metric
DAJCM930J-1008IN	7/8"-14	3/4"-16	36.80	69.34	12.29	9.93	7/8"	7/8"	Imperial
DAJCM930J-1010IN	7/8"-14	7/8"-14	36.80	73.40	12.29	12.29	7/8"	1"	Imperial
DAJCM930J-1012IN	7/8"-14	1-1/16"-12	39.10	84.80	12.29	15.47	1-1/16"	1-1/4"	Imperial
DAJCM930J-1208	1-1/16"-12	3/4"-16	42.20	69.34	15.47	9.93	27 mm	22 mm	Metric
DAJCM930J-1210	1-1/16"-12	7/8"-14	42.20	84.80	15.47	12.29	27 mm	27 mm	Metric
DAJCM930J-1212	1-1/16"-12	1-1/16"-12	42.20	84.80	15.47	15.47	27 mm	32 mm	Metric
DAJCM930J-1216	1-1/16"-12	1-5/16"-12	44.70	94.50	15.47	21.44	33 mm	41 mm	Metric
DAJCM930J-1208IN	1-1/16"-12	3/4"-16	42.20	69.34	15.47	9.93	1-1/16"	7/8"	Imperial
DAJCM930J-1210IN	1-1/16"-12	7/8"-14	42.20	84.80	15.47	12.29	1-1/16"	1"	Imperial
DAJCM930J-1212IN	1-1/16"-12	1-1/16"-12	42.20	84.80	15.47	15.47	1-1/16"	1-1/4"	Imperial
DAJCM930J-1216IN	1-1/16"-12	1-5/16"-12	44.70	94.50	15.47	21.44	1-5/16"	1-1/2"	Imperial
DAJCM930J-1612	1-5/16"-12	1-1/16"-12	46.00	94.49	21.44	15.47	33 mm	32 mm	Metric
DAJCM930J-1616	1-5/16"-12	1-5/16"-12	46.00	94.20	21.44	21.44	33 mm	41 mm	Metric
DAJCM930J-1620	1-5/16"-12	1-5/8"-12	51.10	111.80	21.44	27.38	41 mm	50 mm	Metric
DAJCM930J-1612IN	1-5/16"-12	1-1/16"-12	46.00	94.49	21.44	15.47	1-5/16"	1-1/4"	Imperial
DAJCM930J-1616IN	1-5/16"-12	1-5/16"-12	46.00	94.20	21.44	21.44	1-5/16"	1-1/2"	Imperial
DAJCM930J-1620IN	1-5/16"-12	1-5/8"-12	51.10	111.80	21.44	27.38	1-5/8"	1-7/8"	Imperial
DAJCM930J-2020	1-5/8"-12	1-5/8"-12	52.30	111.80	27.38	27.38	41 mm	50 mm	Metric
DAJCM930J-2020IN	1-5/8"-12	1-5/8"-12	52.30	111.80	27.38	27.38	1-5/8"	1-7/8"	Imperial
DAJCM930J-2424	1-7/8"-12	1-7/8"-12	59.20	135.00	33.32	33.32	48 mm	55 mm	Metric
DAJCM930J-2424IN	1-7/8"-12	1-7/8"-12	59.20	135.00	33.32	33.32	1-7/8"	2-1/8"	Imperial

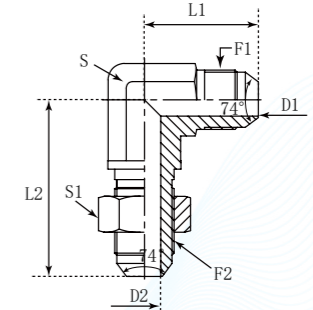
DAJCM925T

90° Bulkhead Elbow Connector JIC Male – JIC Male

D	A	JC	M	9	25	T
Company	Product Range	Thread Types	Connection Type	Adaptor Structure	Thread Types	Connection Type
DME	Adaptor	JIC UNF	Male	90° Elbow	JIC UNF	Bulkhead Male



- DME&JDE Code:** DAJCM925T
- Product Type:** Hydraulic adaptor
- Standard:** JIC and SAE-ORB
- Structure:** 90° Elbow
- Connection Type:** Male x Male
- Thread Types:** UNF x UNF
- Other Features:** Bulkhead



PART NUMBER	F1 (Thread)	F2 (Thread)	L1	L2	D1	D2	S	S1	Hex
#	UNF	UNF	mm	mm	mm	mm	-	-	-
DAJCM925T-0303	3/8"-24	3/8"-24	23.88	38.10	3.18	3.18	11 mm	16 mm	Metric
DAJCM925T-0303IN	3/8"-24	3/8"-24	23.88	38.10	3.18	3.18	7/16"	7/16"	Imperial
DAJCM925T-0404	7/16"-20	7/16"-20	24.60	40.40	4.37	4.37	11 mm	17 mm	Metric
DAJCM925T-0404IN	7/16"-20	7/16"-20	24.60	40.40	4.37	4.37	7/16"	11/16"	Imperial
DAJCM925T-0505	1/2"-20	1/2"-20	26.90	43.70	5.94	5.94	14 mm	19 mm	Metric
DAJCM925T-0505IN	1/2"-20	1/2"-20	26.90	43.70	5.94	5.94	9/16"	3/4"	Imperial
DAJCM925T-0606	9/16"-18	9/16"-18	26.90	46.00	7.54	7.54	14 mm	22 mm	Metric
DAJCM925T-0606IN	9/16"-18	9/16"-18	26.90	46.00	7.54	7.54	9/16"	13/16"	Imperial
DAJCM925T-0808	3/4"-16	3/4"-16	34.50	53.60	9.93	9.93	19 mm	24 mm	Metric
DAJCM925T-0808IN	3/4"-16	3/4"-16	34.50	53.60	9.93	9.93	3/4"	1"	Imperial
DAJCM925T-1010	7/8"-14	7/8"-14	39.60	60.70	12.29	12.29	22 mm	30 mm	Metric
DAJCM925T-1010IN	7/8"-14	7/8"-14	39.60	60.70	12.29	12.29	7/8"	1-1/8"	Imperial
DAJCM925T-1212	1-1/16"-12	1-1/16"-12	45.20	67.80	15.47	15.47	27 mm	36 mm	Metric
DAJCM925T-1212IN	1-1/16"-12	1-1/16"-12	45.20	67.80	15.47	15.47	1-1/16"	1-3/8"	Imperial
DAJCM925T-1414	1-3/16"-12	1-3/16"-12	48.80	71.10	18.26	18.26	33 mm	41 mm	Metric
DAJCM925T-1414IN	1-3/16"-12	1-3/16"-12	48.80	71.10	18.26	18.26	1-5/16"	1-1/2"	Imperial
DAJCM925T-1616	1-5/16"-12	1-5/16"-12	49.30	71.10	21.44	21.44	33 mm	41 mm	Metric
DAJCM925T-1616IN	1-5/16"-12	1-5/16"-12	49.30	71.10	21.44	21.44	1-5/16"	1-5/8"	Imperial
DAJCM925T-2020	1-5/8"-12	1-5/8"-12	55.10	79.30	27.38	27.38	41 mm	50 mm	Metric
DAJCM925T-2020IN	1-5/8"-12	1-5/8"-12	55.10	79.30	27.38	27.38	1-5/8"	1-7/8"	Imperial
DAJCM925T-2424	1-7/8"-12	1-7/8"-12	59.40	86.90	33.32	33.32	48 mm	55 mm	Metric
DAJCM925T-2424IN	1-7/8"-12	1-7/8"-12	59.40	86.90	33.32	33.32	1-7/8"	2-1/8"	Imperial
DAJCM925T-3232	2-1/2"-12	2-1/2"-12	73.40	104.40	45.24	45.24	65 mm	70 mm	Metric
DAJCM925T-3232IN	2-1/2"-12	2-1/2"-12	73.40	104.40	45.24	45.24	2-1/2"	2-3/4"	Imperial

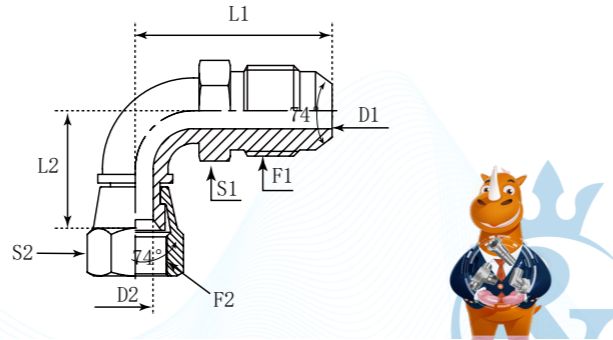
DAJCM9251-B

90° Swept Elbow JIC Male – JIC Swivel Female

D	A	JC	M	9	251	B
Company	Product Range	Thread Types	Connection Type	Adaptor Structure	Connection Type	Elbow Type
DME	Adaptor	JIC UNF	Male	90° Elbow	JIC Swivel Female	Swept



- DME&JDE Code:** DAJCM9251-B
- Product Type:** Hydraulic adaptor
- Standard:** JIC and SAE-ORB
- Structure:** 90° Elbow
- Connection Type:** Male x Swivel Female
- Thread Types:** UNF x UNF



PART NUMBER	F1 (Thread)	F2 (Thread)	D1	D2	L1	L2	S	S1	Hex
#	UNF	UNF	mm	mm	mm	mm	-	-	-
DAJCM9251-0404-B	7/16"-20	7/16"-20	4	4	41.5	31.5	12 mm	14 mm	Metric
DAJCM9251-0404-BIN	7/16"-20	7/16"-20	4	4	41.5	31.5	1/2"	9/16"	Imperial
DAJCM9251-0606-B	9/16"-18	9/16"-18	7.00	7.00	40.00	47.00	17 mm	17 mm	Metric
DAJCM9251-0606-BIN	9/16"-18	9/16"-18	7.00	7.00	40.00	47.00	5/8"	11/16"	Imperial
DAJCM9251-0808-B	3/4"-16	3/4"-16	9.30	9.30	45.00	45.00	22 mm	22 mm	Metric
DAJCM9251-0808-BIN	3/4"-16	3/4"-16	9.30	9.30	45.00	45.00	7/8"	13/16"	Imperial
DAJCM9251-1010-B	7/8"-14	7/8"-14	12.00	12.00	65.80	49.50	27 mm	27 mm	Metric
DAJCM9251-1010-BIN	7/8"-14	7/8"-14	12.00	12.00	65.80	49.50	15/16"	1"	Imperial
DAJCM9251-1212-B	1-1/16"-12	1-1/16"-12	15.00	15.00	69.50	61.00	27 mm	32 mm	Metric
DAJCM9251-1212-BIN	1-1/16"-12	1-1/16"-12	15.00	15.00	69.50	61.00	1-1/8"	1-1/4"	Imperial
DAJCM9251-1616-B	1-5/16"-12	1-5/16"-12	20.00	20.00	78.70	80.00	36 mm	41 mm	Metric
DAJCM9251-1616-BIN	1-5/16"-12	1-5/16"-12	20.00	20.00	78.70	80.00	1-3/8"	1-1/2"	Imperial
DAJCM9251-2020-B	1-5/8"-12	1-5/8"-12	26.00	26.00	99.00	95.00	41 mm	50 mm	Metric
DAJCM9251-2020-BIN	1-5/8"-12	1-5/8"-12	26.00	26.00	99.00	95.00	1-11/16"	2"	Imperial
DAJCM9251-2424-B	1-7/8"-12	1-7/8"-12	32.00	32.00	135.50	98.30	50 mm	58 mm	Metric
DAJCM9251-2424-BIN	1-7/8"-12	1-7/8"-12	32.00	32.00	135.50	98.30	2"	2-1/4"	Imperial

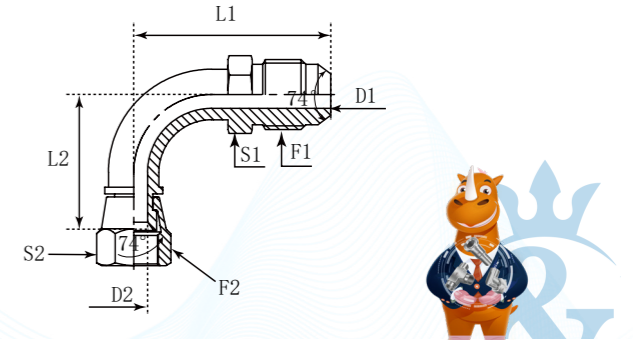
DAJCM9251-L-B

90° Swept Elbow JIC Male – Long JIC Swivel Female

D	A	JC	M	9	251	L	B
Company	Product Range	Thread Types	Connection Type	Adaptor Structure	Connection Type	Elbow Length	Elbow Type
DME	Adaptor	JIC UNF	Male	90° Elbow	JIC Swivel Female	Long	Swept



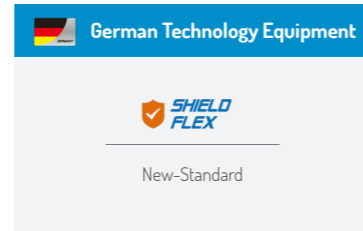
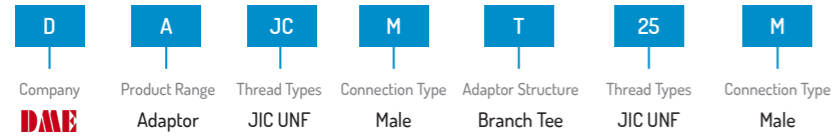
- DME&JDE Code:** DAJCM9251-L-B
- Product Type:** Hydraulic adaptor
- Standard:** JIC and SAE-ORB
- Structure:** 90° Elbow
- Connection Type:** Male x Long Swivel Female
- Thread Types:** UNF x UNF



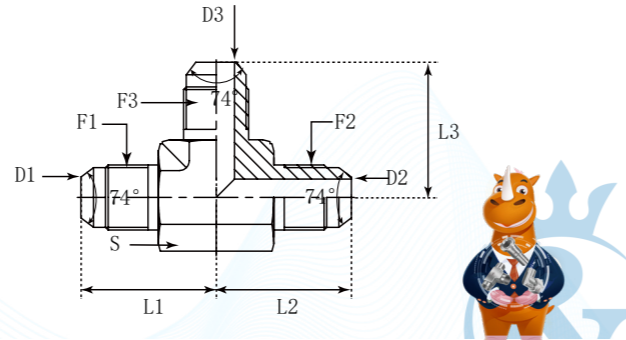
PART NUMBER	F1 (Thread)	F2 (Thread)	D1	D2	L1	L2	S1	S2	Hex
#	UNF	UNF	mm	mm	mm	mm	mm	mm	-
DAJCM9251-L-0404-B	7/16"-20	7/16"-20	4.00	4.00	39.50	70.80	12 mm	14 mm	Metric
DAJCM9251-L-0404-BIN	7/16"-20	7/16"-20	4.00	4.00	39.50	70.80	1/2"	9/16"	Imperial
DAJCM9251-L-0606-B	9/16"-18	9/16"-18	7.00	7.00	49.60	60.70	17 mm	17 mm	Metric
DAJCM9251-L-0606-BIN	9/16"-18	9/16"-18	7.00	7.00	49.60	60.70	5/8"	11/16"	Imperial
DAJCM9251-L-0808-B	3/4"-16	3/4"-16	9.30	9.30	58.00	75.00	22 mm	22 mm	Metric
DAJCM9251-L-0808-BIN	3/4"-16	3/4"-16	9.30	9.30	58.00	75.00	7/8"	13/16"	Imperial
DAJCM9251-L-1010-B	7/8"-14	7/8"-14	12.00	12.00	67.80	85.60	24 mm	27 mm	Metric
DAJCM9251-L-1010-BIN	7/8"-14	7/8"-14	12.00	12.00	67.80	85.60	15/16"	1"	Imperial
DAJCM9251-L-1212-B	1-1/16"-12	1-1/16"-12	15.00	15.00	69.50	92.90	27 mm	32 mm	Metric
DAJCM9251-L-1212-BIN	1-1/16"-12	1-1/16"-12	15.00	15.00	69.50	92.90	1-1/8"	1-1/4"	Imperial
DAJCM9251-L-1616-B	1-5/16"-12	1-5/16"-12	20.00	20.00	88.40	125.20	36 mm	41 mm	Metric
DAJCM9251-L-1616-BIN	1-5/16"-12	1-5/16"-12	20.00	20.00	88.40	125.20	1-3/8"	1-1/2"	Imperial
DAJCM9251-L-2020-B	1-5/8"-12	1-5/8"-12	26.00	26.00	104.70	145.50	41 mm	50 mm	Metric
DAJCM9251-L-2020-BIN	1-5/8"-12	1-5/8"-12	26.00	26.00	104.70	145.50	1-11/16"	2"	Imperial
DAJCM9251-L-2424-B	1-7/8"-12	1-7/8"-12	32.00	32.00	135.50	150.00	50 mm	58 mm	Metric
DAJCM9251-L-2424-BIN	1-7/8"-12	1-7/8"-12	32.00	32.00	135.50	150.00	2"	2-1/4"	Imperial

DAJCMT25M

Branch Tee Connector JIC Male – JIC Male



- DME&JDE Code:** DAJCMT25M
- Product Type:** Hydraulic adaptor
- Standard:** JIC and SAE-ORB
- Structure:** Branch Tee
- Connection Type:** Male x Male x Male
- Thread Types:** UNF x UNF x UNF



PART NUMBER	F1 (Thread)	F2 (Thread)	F3 (Thread)	D1	D2	D3	L1	L2	L3	S	Hex
#	UNF	UNF	UNF	mm	mm	mm	mm	mm	mm	-	-
DAJCMT25M-0202	5/16"-24	5/16"-24	5/16"-24	1.57	1.57	1.57	19.60	19.60	19.60	11 mm	Metric
DAJCMT25M-0202IN	5/16"-24	5/16"-24	5/16"-24	1.57	1.57	1.57	19.60	19.60	19.60	7/16"	Imperial
DAJCMT25M-0303	3/8"-24	3/8"-24	3/8"-24	3.18	3.18	3.18	21.10	21.10	21.10	11 mm	Metric
DAJCMT25M-0303IN	3/8"-24	3/8"-24	3/8"-24	3.18	3.18	3.18	21.10	21.10	21.10	7/16"	Imperial
DAJCMT25M-0404	7/16"-20	7/16"-20	7/16"-20	4.37	4.37	4.37	22.60	22.60	22.60	11 mm	Metric
DAJCMT25M-0406	7/16"-20	7/16"-20	9/16"-18	4.37	4.37	7.54	26.70	26.70	7.54	14 mm	Metric
DAJCMT25M-0404IN	7/16"-20	7/16"-20	7/16"-20	4.37	4.37	4.37	22.60	22.60	22.60	7/16"	Imperial
DAJCMT25M-0406IN	7/16"-20	7/16"-20	9/16"-18	4.37	4.37	7.54	26.70	26.70	7.54	9/16"	Imperial
DAJCMT25M-0505	1/2"-20	1/2"-20	1/2"-20	5.94	5.94	5.94	24.10	24.10	24.10	14 mm	Metric
DAJCMT25M-0505IN	1/2"-20	1/2"-20	1/2"-20	5.94	5.94	5.94	24.10	24.10	24.10	9/16"	Imperial
DAJCMT25M-0604	9/16"-18	9/16"-18	7/16"-20	7.54	7.54	4.37	26.90	26.90	26.70	14 mm	Metric
DAJCMT25M-0606	9/16"-18	9/16"-18	9/16"-18	7.54	7.54	7.54	26.90	26.90	26.90	14 mm	Metric
DAJCMT25M-0608	9/16"-18	9/16"-18	3/4"-16	7.54	7.54	9.93	29.00	29.00	31.80	19 mm	Metric
DAJCMT25M-0610	9/16"-18	9/16"-18	7/8"-14	7.54	7.54	12.29	31.00	31.00	36.80	22 mm	Metric
DAJCMT25M-0604IN	9/16"-18	9/16"-18	7/16"-20	7.54	7.54	4.37	26.90	26.90	26.70	9/16"	Imperial
DAJCMT25M-0606IN	9/16"-18	9/16"-18	9/16"-18	7.54	7.54	7.54	26.90	26.90	26.90	9/16"	Imperial
DAJCMT25M-0608IN	9/16"-18	9/16"-18	3/4"-16	7.54	7.54	9.93	29.00	29.00	31.80	3/4"	Imperial
DAJCMT25M-0610IN	9/16"-18	9/16"-18	7/8"-14	7.54	7.54	12.29	31.00	31.00	36.80	7/8"	Imperial
DAJCMT25M-080606	3/4"-16	9/16"-18	9/16"-18	9.93	7.54	7.54	31.80	29.00	29.00	19 mm	Metric
DAJCMT25M-080608	3/4"-16	9/16"-18	3/4"-16	9.93	7.54	9.93	31.80	29.00	31.80	19 mm	Metric
DAJCMT25M-0806	3/4"-16	3/4"-16	9/16"-18	9.93	9.93	7.54	31.80	31.80	29.00	19 mm	Metric
DAJCMT25M-0808	3/4"-16	3/4"-16	3/4"-16	9.93	9.93	9.93	31.80	31.80	31.80	19 mm	Metric
DAJCMT25M-0810	3/4"-16	3/4"-16	7/8"-14	9.93	9.93	12.29	33.80	33.80	36.80	22 mm	Metric
DAJCMT25M-0812	3/4"-16	3/4"-16	1-1/16"-12	9.93	9.93	15.47	36.80	36.80	42.20	27 mm	Metric

Web: <https://www.dmejde.com>
E-mail: info@dmejde.com



DAJCMT25M-080606IN	3/4"-16	9/16"-18	9/16"-18	9.93	7.54	7.54	31.80	29.00	29.00	3/4"	Imperial
DAJCMT25M-080608IN	3/4"-16	9/16"-18	3/4"-16	9.93	7.54	9.93	31.80	29.00	31.80	3/4"	Imperial
DAJCMT25M-0806IN	3/4"-16	3/4"-16	9/16"-18	9.93	9.93	7.54	31.80	31.80	29.00	3/4"	Imperial
DAJCMT25M-0808IN	3/4"-16	3/4"-16	3/4"-16	9.93	9.93	9.93	31.80	31.80	31.80	3/4"	Imperial
DAJCMT25M-0810IN	3/4"-16	3/4"-16	7/8"-14	9.93	9.93	12.29	33.80	33.80	36.80	7/8"	Imperial
DAJCMT25M-0812IN	3/4"-16	3/4"-16	1-1/16"-12	9.93	9.93	15.47	36.80	36.80	42.20	1-1/16"	Imperial
DAJCMT25M-100606	7/8"-14	9/16"-18	9/16"-18	12.29	7.54	7.54	36.80	31.00	31.00	22 mm	Metric
DAJCMT25M-100808	7/8"-14	3/4"-16	3/4"-16	12.29	9.93	9.93	36.80	3.80	33.80	22 mm	Metric
DAJCMT25M-1008	7/8"-14	7/8"-14	3/4"-16	12.29	12.29	9.93	36.80	36.80	33.80	22 mm	Metric
DAJCMT25M-1010	7/8"-14	7/8"-14	7/8"-14	12.29	12.29	12.29	36.80	36.80	36.80	22 mm	Metric
DAJCMT25M-1012	7/8"-14	7/8"-14	1-1/16"-12	12.29	12.29	15.47	40.00	40.00	42.20	27 mm	Metric
DAJCMT25M-100606IN	7/8"-14	9/16"-18	9/16"-18	12.29	7.54	7.54	36.80	31.00	31.00	7/8"	Imperial
DAJCMT25M-100808IN	7/8"-14	3/4"-16	3/4"-16	12.29	9.93	9.93	36.80	3.80	33.80	7/8"	Imperial
DAJCMT25M-1008IN	7/8"-14	7/8"-14	3/4"-16	12.29	12.29	9.93	36.80	36.80	33.80	7/8"	Imperial
DAJCMT25M-1010IN	7/8"-14	7/8"-14	7/8"-14	12.29	12.29	12.29	36.80	36.80	36.80	7/8"	Imperial
DAJCMT25M-1012IN	7/8"-14	7/8"-14	1-1/16"-12	12.29	12.29	15.47	40.00	40.00	42.20	1-1/16"	Imperial
DAJCMT25M-1208	1-1/16"-12	1-1/16"-12	3/4"-16	15.47	15.47	9.93	42.20	42.20	36.10	27 mm	Metric
DAJCMT25M-1210	1-1/16"-12	1-1/16"-12	7/8"-14	15.47	15.47	12.29	42.20	42.20	39.12	27 mm	Metric
DAJCMT25M-1212	1-1/16"-12	1-1/16"-12	1-1/16"-12	15.47	15.47	15.47	42.20	42.20	42.20	27 mm	Metric
DAJCMT25M-1216	1-1/16"-12	1-1/16"-12	1-5/16"-12	15.47	15.47	21.44	44.70	44.70	46.00	33 mm	Metric
DAJCMT25M-1208IN	1-1/16"-12	1-1/16"-12	3/4"-16	15.47	15.47	9.93	42.20	42.20	36.10	1-1/16"	Imperial
DAJCMT25M-1210IN	1-1/16"-12	1-1/16"-12	7/8"-14	15.47	15.47	12.29	42.20	42.20	39.12	1-1/16"	Imperial
DAJCMT25M-1212IN	1-1/16"-12	1-1/16"-12	1-1/16"-12	15.47	15.47	15.47	42.20	42.20	42.20	1-1/16"	Imperial
DAJCMT25M-1216IN	1-1/16"-12	1-1/16"-12	1-5/16"-12	15.47	15.47	21.44	44.70	44.70	46.00	1-5/16"	Imperial
DAJCMT25M-1414	1-3/16"-12	1-3/16"-12	1-3/16"-12	18.26	18.26	18.26	45.70	45.70	45.70	33 mm	Metric
DAJCMT25M-1414IN	1-3/16"-12	1-3/16"-12	1-3/16"-12	18.26	18.26	18.26	45.70	45.70	45.70	1-5/16"	Imperial
DAJCMT25M-161212	1-5/16"-12	1-1/16"-12	1-1/16"-12	21.44	15.47	15.47	46.00	44.70	44.70	33 mm	Metric
DAJCMT25M-161220	1-5/16"-12	1-1/16"-12	1-5/8"-12	21.44	15.47	27.38	51.00	51.00	52.30	41 mm	Metric
DAJCMT25M-1612	1-5/16"-12	1-5/16"-12	1-1/16"-12	21.44	21.44	15.47	46.00	46.00	44.70	33 mm	Metric
DAJCMT25M-1616	1-5/16"-12	1-5/16"-12	1-5/16"-12	21.44	21.44	21.44	46.00	46.00	46.00	33 mm	Metric
DAJCMT25M-1620	1-5/16"-12	1-5/16"-12	1-5/8"-12	21.44	27.38	27.38	51.10	51.10	52.30	41 mm	Metric
DAJCMT25M-161212IN	1-5/16"-12	1-1/16"-12	1-1/16"-12	21.44	15.47	15.47	46.00	44.70	44.70	1-5/16"	Imperial
DAJCMT25M-161220IN	1-5/16"-12	1-1/16"-12	1-5/8"-12	21.44	15.47	27.38	51.00	51.00	52.30	1-5/8"	Imperial
DAJCMT25M-1612IN	1-5/16"-12	1-5/16"-12	1-1/16"-12	21.44	21.44	15.47	46.00	46.00	44.70	1-5/16"	Imperial
DAJCMT25M-1616IN	1-5/16"-12	1-5/16"-12	1-5/16"-12	21.44	21.44	21.44	46.00	46.00	46.00	1-5/16"	Imperial
DAJCMT25M-1620IN	1-5/16"-12	1-5/16"-12	1-5/8"-12	21.44	27.38	27.38	51.10	51.10	52.30	1-5/8"	Imperial
DAJCMT25M-2016	1-5/8"-12	1-5/8"-12	1-5/16"-12	27.38	27.38	21.44	52.30	52.30	51.10	41 mm	Metric
DAJCMT25M-2020	1-5/8"-12	1-5/8"-12	1-5/8"-12	27.38	27.38	27.38	52.30	52.30	52.30	41 mm	Metric
DAJCMT25M-2016IN	1-5/8"-12	1-5/8"-12	1-5/16"-12	27.38	27.38	21.44	52.30	52.30	51.10	1-5/8"	Imperial
DAJCMT25M-2020IN	1-5/8"-12	1-5/8"-12	1-5/8"-12	27.38	27.38	27.38	52.30	52.30	52.30	1-5/8"	Imperial
DAJCMT25M-2424	1-7/8"-12	1-7/8"-12	1-7/8"-12	33.32	33.32	33.32	59.20	59.20	59.20	48 mm	Metric
DAJCMT25M-2424IN	1-7/8"-12	1-7/8"-12	1-7/8"-12	33.32	33.32	33.32	59.20	59.20	59.20	1-7/8"	Imperial
DAJCMT25M-3232	2-1/2"-12	2-1/2"-12	2-1/2"-12	45.24	45.24	45.24	77.70	77.70	77.70	65 mm	Metric
DAJCMT25M-3232IN	2-1/2"-12	2-1/2"-12	2-1/2"-12	45.24	45.24	45.24	77.70	77.70	77.70	2-1/2"	Imperial



Web: <https://www.dmejde.com>
E-mail: info@dmejde.com



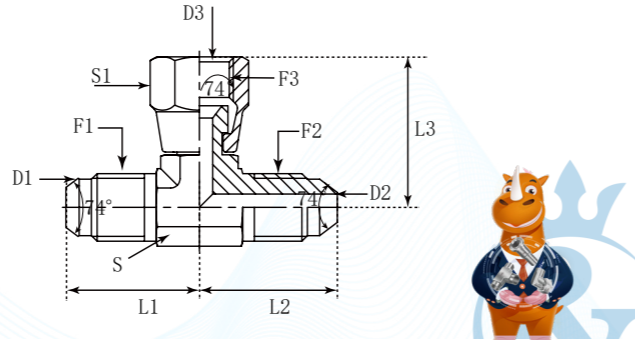
DAJCMT251

Branch Tee Connector JIC Male – JIC Swivel Female

D	A	JC	M	T	251
Company	Product Range	Thread Types	Connection Type	Adaptor Structure	Connection Type
DME	Adaptor	JIC UNF	Male	Branch Tee	JIC Swivel Female



- DME&JDE Code:** DAJCMT251
- Product Type:** Hydraulic adaptor
- Standard:** JIC and SAE-ORB
- Structure:** Branch Tee
- Connection Type:** Male x Male x Male
- Thread Types:** UNF x UNF x UNF



PART NUMBER	F1 (Thread)	F2 (Thread)	F3 (Thread)	L1	L2	L3	D1	D2	D3	S	S1	Hex
#	UNF	UNF	UNF	mm	mm	mm	mm	mm	mm	-	-	-
DAJCMT251-0303	3/8"-24	3/8"-24	3/8"-24	21.08	21.08	17.07	3.18	3.18	3.18	11 mm	12 mm	Metric
DAJCMT251-0303IN	3/8"-24	3/8"-24	3/8"-24	21.08	21.08	17.07	3.18	3.18	3.18	7/16"	1/2"	Imperial
DAJCMT251-0404	7/16"-20	7/16"-20	7/16"-20	22.61	22.61	16.70	4.37	4.37	4.37	11 mm	14 mm	Metric
DAJCMT251-0404IN	7/16"-20	7/16"-20	7/16"-20	22.61	22.61	16.70	4.37	4.37	4.37	7/16"	9/16"	Imperial
DAJCMT251-0505	1/2"-20	1/2"-20	1/2"-20	24.10	24.10	17.40	5.94	5.94	5.94	14 mm	17 mm	Metric
DAJCMT251-0505IN	1/2"-20	1/2"-20	1/2"-20	24.10	24.10	17.40	5.94	5.94	5.94	9/16"	5/8"	Imperial
DAJCMT251-0606	9/16"-18	9/16"-18	9/16"-18	26.92	26.92	22.22	7.54	7.54	7.54	14 mm	19 mm	Metric
DAJCMT251-0608	9/16"-18	9/16"-18	3/4"-16	28.90	28.90	24.33	7.54	7.54	9.93	19 mm	22 mm	Metric
DAJCMT251-0606IN	9/16"-18	9/16"-18	9/16"-18	26.92	26.92	22.22	7.54	7.54	7.54	9/16"	11/16"	Imperial
DAJCMT251-0608IN	9/16"-18	9/16"-18	3/4"-16	28.90	28.90	24.33	7.54	7.54	9.93	3/4"	7/8"	Imperial
DAJCMT251-0806	3/4"-16	3/4"-16	9/16"-18	31.75	31.75	23.04	9.93	9.93	7.54	19 mm	19 mm	Metric
DAJCMT251-0808	3/4"-16	3/4"-16	3/4"-16	31.75	31.75	24.33	9.93	9.93	9.93	19 mm	22 mm	Metric
DAJCMT251-0806IN	3/4"-16	3/4"-16	9/16"-18	31.75	31.75	23.04	9.93	9.93	7.54	3/4"	11/16"	Imperial
DAJCMT251-0808IN	3/4"-16	3/4"-16	3/4"-16	31.75	31.75	24.33	9.93	9.93	9.93	3/4"	7/8"	Imperial
DAJCMT251-1010	7/8"-14	7/8"-14	7/8"-14	36.80	36.80	28.50	12.29	12.29	12.29	22 mm	27 mm	Metric
DAJCMT251-1010IN	7/8"-14	7/8"-14	7/8"-14	36.80	36.80	28.50	12.29	12.29	12.29	7/8"	1"	Imperial
DAJCMT251-1210	1-1/16"-12	1-1/16"-12	7/8"-14	42.20	42.20	28.70	15.47	15.47	12.29	27 mm	27 mm	Metric
DAJCMT251-1212	1-1/16"-12	1-1/16"-12	1-1/16"-12	42.20	42.20	30.20	15.47	15.47	15.47	27 mm	32 mm	Metric
DAJCMT251-1210IN	1-1/16"-12	1-1/16"-12	7/8"-14	42.20	42.20	28.70	15.47	15.47	12.29	1-1/16"	1"	Imperial
DAJCMT251-1212IN	1-1/16"-12	1-1/16"-12	1-1/16"-12	42.20	42.20	30.20	15.47	15.47	15.47	1-1/16"	1-1/4"	Imperial
DAJCMT251-1414	1-3/16"-12	1-3/16"-12	1-3/16"-12	45.70	45.70	35.70	18.26	18.26	18.26	33 mm	36 mm	Metric
DAJCMT251-1414IN	1-3/16"-12	1-3/16"-12	1-3/16"-12	45.70	45.70	35.70	18.26	18.26	18.26	1-5/16"	1-3/8"	Imperial
DAJCMT251-1616	1-5/16"-12	1-5/16"-12	1-5/16"-12	46.00	46.00	35.71	21.44	21.44	21.44	33 mm	41 mm	Metric
DAJCMT251-1616IN	1-5/16"-12	1-5/16"-12	1-5/16"-12	46.00	46.00	35.71	21.44	21.44	21.44	1-5/16"	1-1/2"	Imperial
DAJCMT251-2020	1-5/8"-12	1-5/8"-12	1-5/8"-12	52.30	52.30	42.80	27.38	27.38	27.42	41 mm	50 mm	Metric
DAJCMT251-2020IN	1-5/8"-12	1-5/8"-12	1-5/8"-12	52.30	52.30	42.80	27.38	27.38	27.42	1-5/8"	2"	Imperial
DAJCMT251-2424	1-7/8"-12	1-7/8"-12	1-7/8"-12	59.20	59.20	47.14	33.32	33.32	33.32	48 mm	60 mm	Metric
DAJCMT251-2424IN	1-7/8"-12	1-7/8"-12	1-7/8"-12	59.20	59.20	47.14	33.32	33.32	33.32	1-7/8"	2-1/4"	Imperial
DAJCMT251-3232	2-1/2"-12	2-1/2"-12	2-1/2"-12	77.70	77.70	61.98	45.24	45.24	45.24	65 mm	75 mm	Metric
DAJCMT251-3232IN	2-1/2"-12	2-1/2"-12	2-1/2"-12	77.70	77.70	61.98	45.24	45.24	45.24	2-1/2"	2-7/8"	Imperial



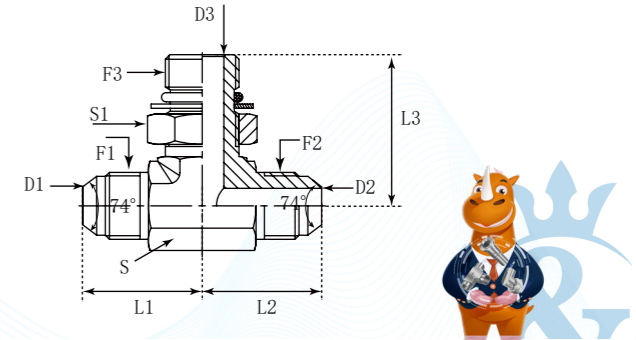
DAJCMT305

Branch Adjustable Tee JIC Male – SAE Male O Ring

D	A	JC	M	T	30	5
Company	Product Range	Thread Types	Connection Type	Adaptor Structure	Thread Types	Connection Type
DME	Adaptor	JIC UNF	Male	Branch Tee	SAE UNF	Male O Ring



- DME&JDE Code:** DAJCMT305
- Product Type:** Hydraulic adaptor
- Standard:** JIC and SAE-ORB
- Structure:** Branch Tee
- Connection Type:** Male x Male x Male
- Thread Types:** UNF x UNF x UNF
- Sealing Method:** O Ring



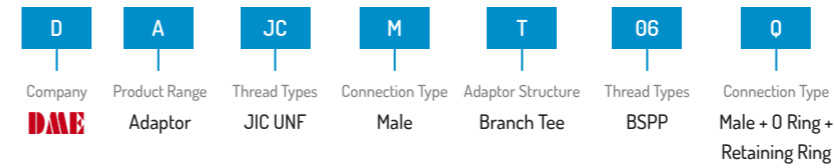
PART NUMBER	F1 (Thread)	F2 (Thread)	F3 (Thread)	L1	L2	L3	D1	D2	D3	S	S1	Hex
#	UNF	UNF	UNF	mm	mm	mm	mm	mm	mm	-	-	-
DAJCMT305-0202	5/16"-24	5/16"-24	5/16"-24	19.6	19.6	23.9	1.57	1.57	1.57	11 mm	11 mm	Metric
DAJCMT305-0202IN	5/16"-24	5/16"-24	5/16"-24	19.6	19.6	23.9	1.57	1.57	1.57	7/16"	7/16"	Imperial
DAJCMT305-0402	7/16"-20	7/16"-20	5/16"-24	22.60	22.60	23.40	4.37	4.37	1.57	11 mm	11 mm	Metric
DAJCMT305-0404	7/16"-20	7/16"-20	7/16"-20	22.60	22.60	26.20	4.37	4.37	4.37	11 mm	14 mm	Metric
DAJCMT305-0405	7/16"-20	7/16"-20	1/2"-20	24.10	24.10	28.70	4.37	4.37	5.94	14 mm	17 mm	Metric
DAJCMT305-0406	7/16"-20	7/16"-20	9/16"-18	26.70	26.70	31.80	4.37	4.37	7.54	14 mm	19 mm	Metric
DAJCMT305-0402IN	7/16"-20	7/16"-20	5/16"-24	22.60	22.60	23.40	4.37	4.37	1.57	7/16"	7/16"	Imperial
DAJCMT305-0404IN	7/16"-20	7/16"-20	7/16"-20	22.60	22.60	26.20	4.37	4.37	4.37	7/16"	9/16"	Imperial
DAJCMT305-0405IN	7/16"-20	7/16"-20	1/2"-20	24.10	24.10	28.70	4.37	4.37	5.94	9/16"	5/8"	Imperial
DAJCMT305-0406IN	7/16"-20	7/16"-20	9/16"-18	26.70	26.70	31.80	4.37	4.37	7.54	9/16"	11/16"	Imperial
DAJCMT305-0505	1/2"-20	1/2"-20	1/2"-20	24.10	24.10	28.70	5.94	5.94	5.94	14 mm	17 mm	Metric
DAJCMT305-0505IN	1/2"-20	1/2"-20	1/2"-20	24.10	24.10	28.70	5.94	5.94	5.94	9/16"	5/8"	Imperial
DAJCMT305-0604	9/16"-18	9/16"-18	7/16"-20	26.90	26.90	30.20	7.54	7.54	4.37	14 mm	14 mm	Metric
DAJCMT305-0606	9/16"-18	9/16"-18	9/16"-18	26.90	26.90	31.80	7.54	7.54	7.54	14 mm	19 mm	Metric
DAJCMT305-0608	9/16"-18	9/16"-18	3/4"-16	29.00	29.00	36.80	7.54	7.54	9.93	19 mm	22 mm	Metric
DAJCMT305-0604IN	9/16"-18	9/16"-18	7/16"-20	26.90	26.90	30.20	7.54	7.54	4.37	9/16"	9/16"	Imperial
DAJCMT305-0606IN	9/16"-18	9/16"-18	9/16"-18	26.90	26.90	31.80	7.54	7.54	7.54	9/16"	11/16"	Imperial
DAJCMT305-0608IN	9/16"-18	9/16"-18	3/4"-16	29.00	29.00	36.80	7.54	7.54	9.93	3/4"	7/8"	Imperial
DAJCMT305-0806	3/4"-16	3/4"-16	9/16"-18	31.80	31.80	33.50	9.93	9.93	7.54	19 mm	19 mm	Metric
DAJCMT305-0808	3/4"-16	3/4"-16	3/4"-16	31.80	31.80	36.80	9.93	9.93	9.93	19 mm	22 mm	Metric



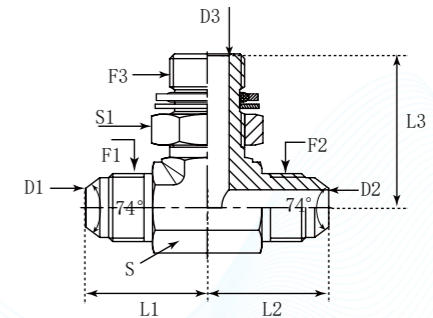
DAJCMT305-0810	3/4"-16	3/4"-16	7/8"-14	33.80	33.80	43.20	9.93	9.93	12.29	22 mm	27 mm	Metric
DAJCMT305-0812	3/4"-16	3/4"-16	1-1/16"-12	36.20	36.20	49.30	9.93	9.93	15.47	27 mm	32 mm	Metric
DAJCMT305-0806IN	3/4"-16	3/4"-16	9/16"-18	31.80	31.80	33.50	9.93	9.93	7.54	3/4"	11/16"	Imperial
DAJCMT305-0808IN	3/4"-16	3/4"-16	3/4"-16	31.80	31.80	36.80	9.93	9.93	9.93	3/4"	7/8"	Imperial
DAJCMT305-0810IN	3/4"-16	3/4"-16	7/8"-14	33.80	33.80	43.20	9.93	9.93	12.29	7/8"	1"	Imperial
DAJCMT305-0812IN	3/4"-16	3/4"-16	1-1/16"-12	36.20	36.20	49.30	9.93	9.93	15.47	1-1/16"	1-1/4"	Imperial
DAJCMT305-1008	7/8"-14	7/8"-14	3/4"-16	36.80	36.80	39.10	12.29	12.29	9.93	22 mm	22 mm	Metric
DAJCMT305-1010	7/8"-14	7/8"-14	7/8"-14	36.80	36.80	43.10	12.29	12.29	12.29	22 mm	27 mm	Metric
DAJCMT305-1012	7/8"-14	7/8"-14	1-1/16"-12	39.10	39.10	49.30	12.29	12.29	15.47	27 mm	32 mm	Imperial
DAJCMT305-1008IN	7/8"-14	7/8"-14	3/4"-16	36.80	36.80	39.10	12.29	12.29	9.93	7/8"	7/8"	Imperial
DAJCMT305-1010IN	7/8"-14	7/8"-14	7/8"-14	36.80	36.80	43.10	12.29	12.29	12.29	7/8"	1"	Imperial
DAJCMT305-1012IN	7/8"-14	7/8"-14	1-1/16"-12	39.10	39.10	49.30	12.29	12.29	15.47	1-1/16"	1-1/4"	Imperial
DAJCMT305-1206	1-1/16"-12	1-1/16"-12	9/16"-18	42.16	42.16	37.85	15.47	15.47	7.54	27 mm	19 mm	Imperial
DAJCMT305-1208	1-1/16"-12	1-1/16"-12	3/4"-16	42.20	42.20	42.00	15.47	15.47	9.93	27 mm	22 mm	Metric
DAJCMT305-1210	1-1/16"-12	1-1/16"-12	7/8"-14	42.20	42.20	45.20	15.47	15.47	12.29	27 mm	27 mm	Metric
DAJCMT305-1212	1-1/16"-12	1-1/16"-12	1-1/16"-12	42.20	42.20	49.30	15.47	15.47	15.47	27 mm	32 mm	Metric
DAJCMT305-1216	1-1/16"-12	1-1/16"-12	1-5/16"-12	44.70	44.70	52.10	15.47	15.47	21.44	33 mm	41 mm	Metric
DAJCMT305-1206IN	1-1/16"-12	1-1/16"-12	9/16"-18	42.16	42.16	37.85	15.47	15.47	7.54	1-1/16"	11/16"	Imperial
DAJCMT305-1208IN	1-1/16"-12	1-1/16"-12	3/4"-16	42.20	42.20	42.00	15.47	15.47	9.93	1-1/16"	7/8"	Imperial
DAJCMT305-1210IN	1-1/16"-12	1-1/16"-12	7/8"-14	42.20	42.20	45.20	15.47	15.47	12.29	1-1/16"	1"	Imperial
DAJCMT305-1212IN	1-1/16"-12	1-1/16"-12	1-1/16"-12	42.20	42.20	49.30	15.47	15.47	15.47	1-1/16"	1-1/4"	Imperial
DAJCMT305-1216IN	1-1/16"-12	1-1/16"-12	1-5/16"-12	44.70	44.70	52.10	15.47	15.47	21.44	1-5/16"	1-1/2"	Imperial
DAJCMT305-1414	1-3/16"-12	1-3/16"-12	1-3/16"-12	45.70	45.70	50.80	18.26	18.26	18.26	33 mm	36 mm	Metric
DAJCMT305-1414IN	1-3/16"-12	1-3/16"-12	1-3/16"-12	45.70	45.70	50.80	18.26	18.26	18.26	1-5/16"	1-3/8"	Imperial
DAJCMT305-1612	1-5/16"-12	1-5/16"-12	1-1/16"-12	46.00	46.00	52.10	21.44	21.44	15.47	33 mm	32 mm	Metric
DAJCMT305-1616	1-5/16"-12	1-5/16"-12	1-5/16"-12	46.00	46.00	52.10	21.44	21.44	21.44	33 mm	41 mm	Metric
DAJCMT305-1620	1-5/16"-12	1-5/16"-12	1-5/8"-12	51.10	51.10	57.20	21.44	21.44	27.38	41 mm	50 mm	Metric
DAJCMT305-1612IN	1-5/16"-12	1-5/16"-12	1-1/16"-12	46.00	46.00	52.10	21.44	21.44	15.47	1-5/16"	1-1/4"	Imperial
DAJCMT305-1616IN	1-5/16"-12	1-5/16"-12	1-5/16"-12	46.00	46.00	52.10	21.44	21.44	21.44	1-5/16"	1-1/2"	Imperial
DAJCMT305-1620IN	1-5/16"-12	1-5/16"-12	1-5/8"-12	51.10	51.10	57.20	21.44	21.44	27.38	1-5/8"	1-7/8"	Imperial
DAJCMT305-2020	1-5/8"-12	1-5/8"-12	1-5/8"-12	52.30	52.30	57.20	27.38	27.38	27.38	41 mm	50 mm	Metric
DAJCMT305-2020IN	1-5/8"-12	1-5/8"-12	1-5/8"-12	52.30	52.30	57.20	27.38	27.38	27.38	1-5/8"	1-7/8"	Imperial
DAJCMT305-2424	1-7/8"-12	1-7/8"-12	1-7/8"-12	59.20	59.20	60.70	33.32	33.32	33.32	48 mm	55 mm	Metric
DAJCMT305-2424IN	1-7/8"-12	1-7/8"-12	1-7/8"-12	59.20	59.20	60.70	33.32	33.32	33.32	1-7/8"	2-1/8"	Imperial
DAJCMT305-3232	2-1/2"-12	2-1/2"-12	2-1/2"-12	77.70	77.70	73.40	45.24	45.24	45.24	65 mm	70 mm	Metric
DAJCMT305-3232IN	2-1/2"-12	2-1/2"-12	2-1/2"-12	77.70	77.70	73.40	45.24	45.24	45.24	2-1/2"	2-3/4"	Imperial

DAJCMT06Q

Branch Adjustable Tee JIC Male – BSPP Male + O Ring + Retaining Ring



- DME&JDE Code:** DAJCMT06Q
- Product Type:** Hydraulic adaptor
- Standard:** JIC and SAE-ORB
- Structure:** Branch Tee
- Connection Type:** Adjustable Male x Male
- Thread Types:** UNF x BSPP x UNF
- Other Features:** O Ring + Retaining Ring



PART NUMBER	F1(Thread)	F2 (Thread)	F3 (Thread)	D1	D2	D3	L1	L2	L3	S	S1
#	UNF	UNF	BSPP	mm	mm	mm	mm	mm	mm	mm	mm
DAJCMT06Q-0402	7/16"-20	7/16"-20	1/8"-28	4.37	4.37	4.40	22.50	22.50	26.00	11	14
DAJCMT06Q-0404	7/16"-20	7/16"-20	1/4"-19	4.37	4.37	7.50	27.00	27.00	31.80	14	19
DAJCMT06Q-0406	7/16"-20	7/16"-20	3/8"-19	4.37	4.37	9.90	28.50	28.50	36.50	19	22
DAJCMT06Q-0408	7/16"-20	7/16"-20	1/2"-14	4.37	4.37	12.30	31.00	31.00	43.00	22	27
DAJCMT06Q-0502	1/2"-20	1/2"-20	1/8"-28	5.94	5.94	4.40	24.00	24.00	28.00	14	14
DAJCMT06Q-0504	1/2"-20	1/2"-20	1/4"-19	5.94	5.94	7.50	27.00	27.00	31.00	14	19
DAJCMT06Q-0506	1/2"-20	1/2"-20	3/8"-19	5.94	5.94	9.90	28.50	28.50	36.50	19	22
DAJCMT06Q-0604	9/16"-18	9/16"-18	1/4"-19	7.54	7.54	7.50	27.00	27.00	31.80	14	19
DAJCMT06Q-0606	9/16"-18	9/16"-18	3/8"-19	7.54	7.54	9.90	28.50	28.50	36.50	19	22
DAJCMT06Q-0608	9/16"-18	9/16"-18	1/2"-14	7.54	7.54	12.30	31.00	31.00	43.00	22	27
DAJCMT06Q-0804	3/4"-16	3/4"-16	1/4"-19	9.93	9.93	7.50	31.50	31.50	33.50	19	19
DAJCMT06Q-0806	3/4"-16	3/4"-16	3/8"-19	9.93	9.93	9.90	31.50	31.50	36.50	19	22
DAJCMT06Q-0808	3/4"-16	3/4"-16	1/2"-14	9.93	9.93	12.30	34.00	34.00	43.00	22	27
DAJCMT06Q-0812	3/4"-16	3/4"-16	3/4"-14	9.93	9.93	15.50	37.00	37.00	49.00	27	36
DAJCMT06Q-1006	7/8"-14	7/8"-14	3/8"-19	12.29	12.29	9.90	36.50	36.50	39.50	22	22
DAJCMT06Q-1008	7/8"-14	7/8"-14	1/2"-14	12.29	12.29	12.30	36.50	36.50	43.00	22	27
DAJCMT06Q-1012	7/8"-14	7/8"-14	3/4"-14	12.29	12.29	15.50	39.50	39.50	49.00	27	36
DAJCMT06Q-1208	1-1/16"-12	1-1/16"-12	1/2"-14	15.47	15.47	12.30	42.00	42.00	45.50	27	27
DAJCMT06Q-1212	1-1/16"-12	1-1/16"-12	3/4"-14	15.47	15.47	15.50	42.00	42.00	49.00	27	36
DAJCMT06Q-1216	1-1/16"-12	1-1/16"-12	1"-11	15.47	15.47	21.50	44.70	44.70	52.00	33	41
DAJCMT06Q-1220	1-1/16"-12	1-1/16"-12	1-1/4"-11	15.47	15.47	27.50	50.00	50.00	57.00	41	50
DAJCMT06Q-1612	1-5/16"-12	1-5/16"-12	3/4"-14	21.44	21.44	15.50	46.00	46.00	52.00	33	36
DAJCMT06Q-1616	1-5/16"-12	1-5/16"-12	1"-11	21.44	21.44	21.50	46.00	46.00	52.00	33	41
DAJCMT06Q-1620	1-5/16"-12	1-5/16"-12	1-1/4"-11	21.44	21.44	27.50	51.00	51.00	57.00	41	50
DAJCMT06Q-2016	1-5/8"-12	1-5/8"-12	1"-11	27.38	27.38	21.50	52.00	52.00	57.00	41	41
DAJCMT06Q-2020	1-5/8"-12	1-5/8"-12	1-1/4"-11	27.38	27.38	27.50	52.00	52.00	57.00	41	50
DAJCMT06Q-2420	1-7/8"-12	1-7/8"-12	1-1/4"-11	33.32	33.32	27.50	59.00	59.00	61.00	48	50
DAJCMT06Q-2424	1-7/8"-12	1-7/8"-12	1-1/2"-11	33.32	33.32	33.00	59.00	59.00	61.00	48	55

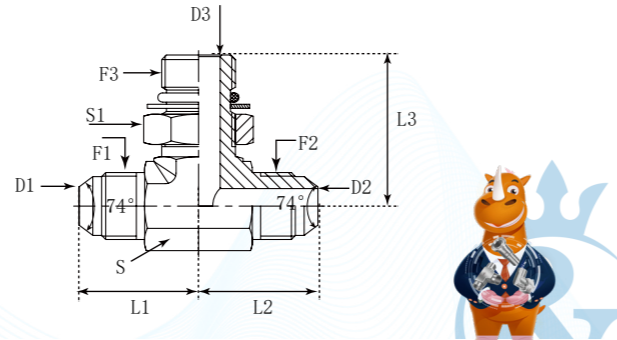
DAJCMT065

Branch Adjustable Tee JIC Male – BSPP Male + O Ring

D	A	JC	M	T	06	5
Company	Product Range	Thread Types	Connection Type	Adaptor Structure	Thread Types	Connection Type
DME	Adaptor	JIC UNF	Male	Branch Tee	BSPP	Male + O Ring



- DME&JDE Code:** DAJCMT065
- Product Type:** Hydraulic adaptor
- Standard:** JIC and SAE-ORB
- Structure:** Branch Tee
- Connection Type:** Adjustable Male x Male x Male
- Thread Types:** UNF x UNF x BSPP
- Sealing Method:** O Ring



PART NUMBER	F1(Thread)	F2 (Thread)	F3 (Thread)	D1	D2	D3	L1	L2	L3	S	S1
#	UNF	UNF	BSPP	mm	mm	mm	mm	mm	mm	mm	mm
DAJCMT065-0402	7/16"-20	7/16"-20	1/8"-28	4.37	4.37	4.40	22.50	22.50	26.00	11	14
DAJCMT065-0404	7/16"-20	7/16"-20	1/4"-19	4.37	4.37	7.50	27.00	27.00	31.80	14	19
DAJCMT065-0406	7/16"-20	7/16"-20	3/8"-19	4.37	4.37	9.90	28.50	28.50	36.50	19	22
DAJCMT065-0502	1/2"-20	1/2"-20	1/8"-28	5.94	5.94	4.40	24.00	24.00	28.00	14	14
DAJCMT065-0504	1/2"-20	1/2"-20	1/4"-19	5.94	5.94	7.50	27.00	27.00	31.00	14	19
DAJCMT065-0506	1/2"-20	1/2"-20	3/8"-19	5.94	5.94	9.90	28.50	28.50	36.50	19	22
DAJCMT065-0604	9/16"-18	9/16"-18	1/4"-19	7.54	7.54	7.50	27.00	27.00	31.80	14	19
DAJCMT065-0606	9/16"-18	9/16"-18	3/8"-19	7.54	7.54	9.90	28.50	28.50	36.50	19	22
DAJCMT065-0608	9/16"-18	9/16"-18	1/2"-14	7.54	7.54	12.30	31.00	31.00	43.00	22	27
DAJCMT065-0804	3/4"-16	3/4"-16	1/4"-19	9.93	9.93	7.50	31.50	31.50	33.50	19	19
DAJCMT065-0806	3/4"-16	3/4"-16	3/8"-19	9.93	9.93	9.90	31.50	31.50	36.50	19	22
DAJCMT065-0808	3/4"-16	3/4"-16	1/2"-14	9.93	9.93	12.30	34.00	34.00	43.00	22	27
DAJCMT065-0812	3/4"-16	3/4"-16	3/4"-14	9.93	9.93	15.50	37.00	37.00	49.00	27	36
DAJCMT065-1006	7/8"-14	7/8"-14	3/8"-19	12.29	12.29	9.90	36.50	36.50	39.50	22	22
DAJCMT065-1008	7/8"-14	7/8"-14	1/2"-14	12.29	12.29	12.30	36.50	36.50	43.00	22	27
DAJCMT065-1012	7/8"-14	7/8"-14	3/4"-14	12.29	12.29	15.50	39.50	39.50	49.00	27	36
DAJCMT065-1208	1-1/16"-12	1-1/16"-12	1/2"-14	15.47	15.47	12.30	42.00	42.00	45.50	27	27
DAJCMT065-1212	1-1/16"-12	1-1/16"-12	3/4"-14	15.47	15.47	15.50	42.00	42.00	49.00	27	36
DAJCMT065-1216	1-1/16"-12	1-1/16"-12	1"-11	15.47	15.47	21.50	44.70	44.70	52.00	33	41
DAJCMT065-1220	1-1/16"-12	1-1/16"-12	1-1/4"-11	15.47	15.47	27.50	50.00	50.00	57.00	41	50
DAJCMT065-1612	1-5/16"-12	1-5/16"-12	3/4"-14	21.44	21.44	15.50	46.00	46.00	52.00	33	36
DAJCMT065-1616	1-5/16"-12	1-5/16"-12	1"-11	21.44	21.44	21.50	46.00	46.00	52.00	33	41
DAJCMT065-1620	1-5/16"-12	1-5/16"-12	1-1/4"-11	21.44	21.44	27.50	51.00	51.00	57.00	41	50
DAJCMT065-2016	1-5/8"-12	1-5/8"-12	1"-11	27.38	27.38	21.50	52.00	52.00	57.00	41	41
DAJCMT065-2020	1-5/8"-12	1-5/8"-12	1-1/4"-11	27.38	27.38	27.50	52.00	52.00	57.00	41	50
DAJCMT065-2420	1-7/8"-12	1-7/8"-12	1-1/4"-11	33.32	33.32	27.50	59.00	59.00	61.00	48	50
DAJCMT065-2424	1-7/8"-12	1-7/8"-12	1-1/2"-11	33.32	33.32	33.00	59.00	59.00	61.00	48	55

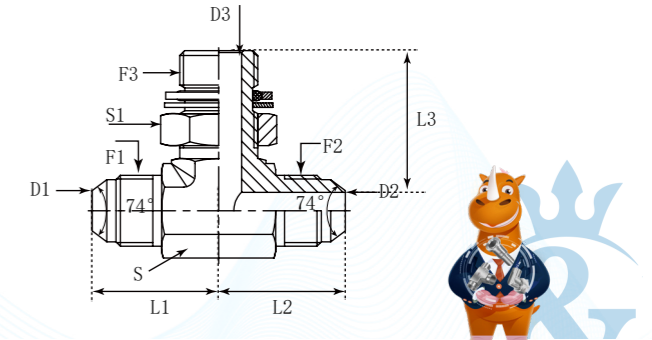
DAJCMT52Q

Branch Adjustable Tee JIC Male – Metric Male + O Ring + Retaining Ring

D	A	JC	M	T	52	0
Company	Product Range	Thread Types	Connection Type	Adaptor Structure	Thread Types	Connection Type
DME	Adaptor	JIC UNF	Male	Branch Tee	Metric	Male + O Ring + Retaining Ring



- DME&JDE Code:** DAJCMT52Q
- Product Type:** Hydraulic adaptor
- Standard:** JIC and SAE-ORB
- Structure:** Branch
- Connection Type:** Adjustable Male x Male x Male
- Thread Types:** UNF x UNF x Metric
- Sealing Method:** O Ring + Retaining Ring



PART NUMBER	F1(Thread)	F2 (Thread)	F3 (Thread)	D1	D2	D3	L1	L2	L3	S	S1
#	UNF	UNF	METRIC	mm	mm	mm	mm	mm	mm	mm	mm
DAJCMT52Q-0410	7/16"-20	7/16"-20	M10X1	4.37	4.37	4.00	22.50	22.50	27.50	11	14
DAJCMT52Q-0412	7/16"-20	7/16"-20	M12X1.5	4.37	4.37	5.00	27.00	27.00	31.50	14	17
DAJCMT52Q-0414	7/16"-20	7/16"-20	M14X1.5	4.37	4.37	6.00	27.00	27.00	32.50	14	19
DAJCMT52Q-0510	1/2"-20	1/2"-20	M10X1	5.94	5.94	4.00	27.00	27.00	28.50	14	14
DAJCMT52Q-0512	1/2"-20	1/2"-20	M12X1.5	5.94	5.94	4.00	27.00	27.00	31.50	14	17
DAJCMT52Q-0514	1/2"-20	1/2"-20	M14X1.5	5.94	5.94	6.00	27.00	27.00	32.50	14	19
DAJCMT52Q-0612	9/16"-18	9/16"-18	M12X1.5	7.54	7.54	4.00	27.00	27.00	31.50	14	17
DAJCMT52Q-0614	9/16"-18	9/16"-18	M14X1.5	7.54	7.54	6.00	27.00	27.00	32.50	14	19
DAJCMT52Q-0616	9/16"-18	9/16"-18	M16X1.5	7.54	7.54	7.00	28.50	28.50	36.50	19	22
DAJCMT52Q-0618	9/16"-18	9/16"-18	M18X1.5	7.54	7.54	9.00	29.00	29.00	39.50	19	24
DAJCMT52Q-0816	3/4"-16	3/4"-16	M16X1.5	9.93	9.93	9.00	31.50	31.50	36.50	19	22
DAJCMT52Q-0818	3/4"-16	3/4"-16	M18X1.5	9.93	9.93	9.00	31.50	31.50	37.60	19	24
DAJCMT52Q-0822	3/4"-16	3/4"-16	M22X1.5	9.93	9.93	12.00	33.80	33.80	43.00	22	27
DAJCMT52Q-1018	7/8"-14	7/8"-14	M18X1.5	12.29	12.29	9.00	36.50	36.50	41.50	22	24
DAJCMT52Q-1020	7/8"-14	7/8"-14	M20X1.5	12.29	12.29	12.00	36.50	36.50	43.00	22	27
DAJCMT52Q-1022	7/8"-14	7/8"-14	M22X1.5	12.29	12.29	12.00	36.50	36.50	43.00	22	27
DAJCMT52Q-1026	7/8"-14	7/8"-14	M26X1.5	12.29	12.29	15.00	40.00	40.00	52.00	27	32
DAJCMT52Q-1222	1-1/16"-12	1-1/16"-12	M22X1.5	15.47	15.47	14.00	42.00	42.00	45.50	27	27
DAJCMT52Q-1226	1-1/16"-12	1-1/16"-12	M26X1.5	15.47	15.47	15.00	42.00	42.00	51.50	27	32
DAJCMT52Q-1227	1-1/16"-12	1-1/16"-12	M27X2	15.47	15.47	15.00	42.00	42.00	51.50	27	32
DAJCMT52Q-1627	1-5/16"-12	1-5/16"-12	M27X2	21.44	21.44	15.00	46.00	46.00	55.00	33	32
DAJCMT52Q-1633	1-5/16"-12	1-5/16"-12	M33X2	21.44	21.44	20.00	46.00	46.00	55.00	33	41
DAJCMT52Q-2042	1-5/8"-12	1-5/8"-12	M42X2	27.38	27.38	26.00	52.00	52.00	60.00	41	50
DAJCMT52Q-2448	1-7/8"-12	1-7/8"-12	M48X2	33.32	33.32	32.00	59.00	59.00	67.00	48	55

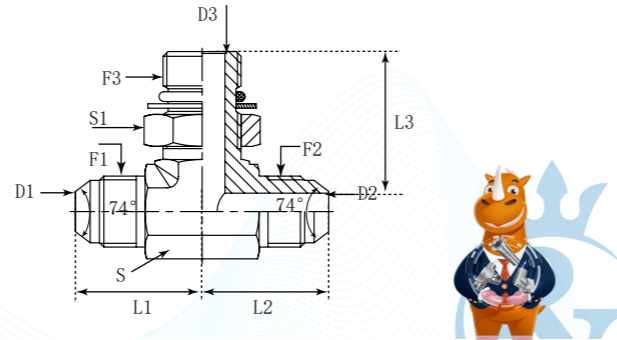
DAJCMT525

Branch Adjustable Tee JIC Male – Metric Male + O Ring

D	A	JC	M	T	52	5
Company	Product Range	Thread Types	Connection Type	Adaptor Structure	Thread Types	Connection Type
DME	Adaptor	JIC UNF	Male	Branch Tee	Metric	Male + O Ring



- DME&JDE Code:** DAJCMT525
- Product Type:** Hydraulic adaptor
- Standard:** JIC and SAE-ORB
- Structure:** Branch
- Connection Type:** Adjustable Male x Male
- Thread Types:** UNF x Metric
- Sealing Method:** O Ring



PART NUMBER	F1 (Thread)	F2 (Thread)	F3 (Thread)	D1	D2	D3	L1	L2	L3	S	S1
#	UNF	UNF	METRIC	mm	mm	mm	mm	mm	mm	mm	mm
DAJCMT525-0410	7/16"-20	7/16"-20	M10X1	4.37	4.37	4.00	22.50	22.50	27.50	11	14
DAJCMT525-0412	7/16"-20	7/16"-20	M12X1.5	4.37	4.37	5.00	27.00	27.00	31.50	14	17
DAJCMT525-0414	7/16"-20	7/16"-20	M14X1.5	4.37	4.37	6.00	27.00	27.00	32.50	14	19
DAJCMT525-0510	1/2"-20	1/2"-20	M10X1	5.94	5.94	4.00	27.00	27.00	28.50	14	14
DAJCMT525-0512	1/2"-20	1/2"-20	M12X1.5	5.94	5.94	4.00	27.00	27.00	31.50	14	17
DAJCMT525-0514	1/2"-20	1/2"-20	M14X1.5	5.94	5.94	6.00	27.00	27.00	32.50	14	19
DAJCMT525-0612	9/16"-18	9/16"-18	M12X1.5	7.54	7.54	4.00	27.00	27.00	31.50	14	17
DAJCMT525-0614	9/16"-18	9/16"-18	M14X1.5	7.54	7.54	6.00	27.00	27.00	32.50	14	19
DAJCMT525-0616	9/16"-18	9/16"-18	M16X1.5	7.54	7.54	7.00	28.50	28.50	36.50	19	22
DAJCMT525-0618	9/16"-18	9/16"-18	M18X1.5	7.54	7.54	9.00	29.00	29.00	39.50	19	24
DAJCMT525-0816	3/4"-16	3/4"-16	M16X1.5	9.93	9.93	9.00	31.50	31.50	36.50	19	22
DAJCMT525-0818	3/4"-16	3/4"-16	M18X1.5	9.93	9.93	9.00	31.50	31.50	37.60	19	24
DAJCMT525-0822	3/4"-16	3/4"-16	M22X1.5	9.93	9.93	12.00	33.80	33.80	43.00	22	27
DAJCMT525-1018	7/8"-14	7/8"-14	M18X1.5	12.29	12.29	9.00	36.50	36.50	41.50	22	24
DAJCMT525-1022	7/8"-14	7/8"-14	M22X1.5	12.29	12.29	12.00	36.50	36.50	43.00	22	27
DAJCMT525-1026	7/8"-14	7/8"-14	M26X1.5	12.29	12.29	15.00	40.00	40.00	52.00	27	32
DAJCMT525-1222	1-1/16"-12	1-1/16"-12	M22X1.5	15.47	15.47	14.00	42.00	42.00	45.50	27	27
DAJCMT525-1226	1-1/16"-12	1-1/16"-12	M26X1.5	15.47	15.47	15.00	42.00	42.00	51.50	27	32
DAJCMT525-1227	1-1/16"-12	1-1/16"-12	M27X2	15.47	15.47	15.00	42.00	42.00	51.50	27	32
DAJCMT525-1627	1-5/16"-12	1-5/16"-12	M27X2	21.44	21.44	15.00	46.00	46.00	55.00	33	32
DAJCMT525-1633	1-5/16"-12	1-5/16"-12	M33X2	21.44	21.44	20.00	46.00	46.00	55.00	33	41
DAJCMT525-2042	1-5/8"-12	1-5/8"-12	M42X2	27.38	27.38	26.00	52.00	52.00	60.00	41	50
DAJCMT525-2448	1-7/8"-12	1-7/8"-12	M48X2	33.32	33.32	32.00	59.00	59.00	67.00	48	55

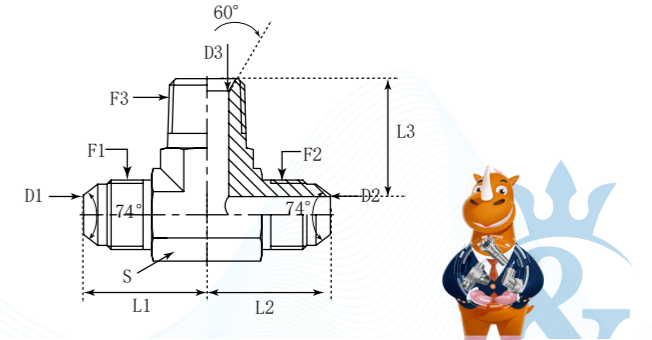
DAJCMT28M

Branch Tee Connector JIC Male – NPTF Male

D	A	JC	M	T	28	M
Company	Product Range	Thread Types	Connection Type	Adaptor Structure	Thread Types	Connection Type
DME	Adaptor	JIC UNF	Male	Branch Tee	NPTF	Male



- DME&JDE Code:** DAJCMT28M
- Product Type:** Hydraulic adaptor
- Standard:** JIC and SAE-ORB
- Structure:** Branch Tee
- Adaptor Connection Type:** Male x Male x Male
- Thread Types:** UNF x UNF x NPTF

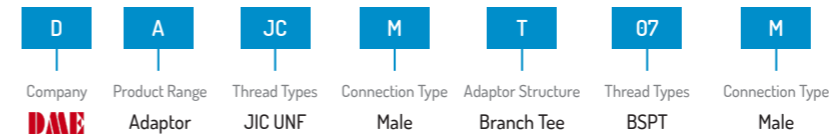


PART NUMBER	F1(Thread)	F2 (Thread)	F3 (Thread)	D1	D2	D3	L1	L2	L3	S	Hex
#	UNF	UNF	NPTF	mm	mm	mm	mm	mm	mm	-	-
DAJCMT28M-0202	5/16"-24	5/16"-24	1/8"-27	1.57	1.57	4.78	19.56	19.56	18.29	11 mm	Metric
DAJCMT28M-0202IN	5/16"-24	5/16"-24	1/8"-27	1.57	1.57	4.78	19.56	19.56	18.29	7/16"	Imperial
DAJCMT28M-0302	3/8"-24	3/8"-24	1/8"-27	3.18	3.18	4.78	21.10	21.10	18.30	11 mm	Metric
DAJCMT28M-0302IN	3/8"-24	3/8"-24	1/8"-27	3.18	3.18	4.78	21.10	21.10	18.30	7/16"	Imperial
DAJCMT28M-0402	7/16"-20	7/16"-20	1/8"-27	4.37	4.37	4.78	22.60	22.60	19.80	11 mm	Metric
DAJCMT28M-0404	7/16"-20	7/16"-20	1/4"-18	4.37	4.37	7.14	26.70	26.70	27.70	14 mm	Metric
DAJCMT28M-0406	7/16"-20	7/16"-20	3/8"-18	4.37	4.37	10.31	28.50	28.50	31.00	19 mm	Metric
DAJCMT28M-0402IN	7/16"-20	7/16"-20	1/8"-27	4.37	4.37	4.78	22.60	22.60	19.80	7/16"	Imperial
DAJCMT28M-0404IN	7/16"-20	7/16"-20	1/4"-18	4.37	4.37	7.14	26.70	26.70	27.70	9/16"	Imperial
DAJCMT28M-0406IN	7/16"-20	7/16"-20	3/8"-18	4.37	4.37	10.31	28.50	28.50	31.00	3/4"	Imperial
DAJCMT28M-0502	1/2"-20	1/2"-20	1/8"-27	5.94	5.94	4.78	24.10	24.10	19.80	14 mm	Metric
DAJCMT28M-0504	1/2"-20	1/2"-20	1/4"-18	5.94	5.94	7.14	26.70	26.70	27.70	14 mm	Metric
DAJCMT28M-0506	1/2"-20	1/2"-20	3/8"-18	5.94	5.94	10.31	28.50	28.50	31.00	19 mm	Metric
DAJCMT28M-0502IN	1/2"-20	1/2"-20	1/8"-27	5.94	5.94	4.78	24.10	24.10	19.80	9/16"	Imperial
DAJCMT28M-0504IN	1/2"-20	1/2"-20	1/4"-18	5.94	5.94	7.14	26.70	26.70	27.70	9/16"	Imperial
DAJCMT28M-0506IN	1/2"-20	1/2"-20	3/8"-18	5.94	5.94	10.31	28.50	28.50	31.00	3/4"	Imperial
DAJCMT28M-0602	9/16"-18	9/16"-18	1/8"-27	7.54	7.54	4.78	26.90	26.90	22.90	14 mm	Metric
DAJCMT28M-0604	9/16"-18	9/16"-18	1/4"-18	7.54	7.54	7.14	26.90	26.90	27.70	14 mm	Metric
DAJCMT28M-0606	9/16"-18	9/16"-18	3/8"-18	7.54	7.54	10.31	29.00	29.00	31.00	19 mm	Metric
DAJCMT28M-0608	9/16"-18	9/16"-18	1/2"-14	7.54	7.54	13.49	31.00	31.00	37.30	22 mm	Metric
DAJCMT28M-0602IN	9/16"-18	9/16"-18	1/8"-27	7.54	7.54	4.78	26.90	26.90	22.90	9/16"	Imperial
DAJCMT28M-0604IN	9/16"-18	9/16"-18	1/4"-18	7.54	7.54	7.14	26.90	26.90	27.70	9/16"	Imperial

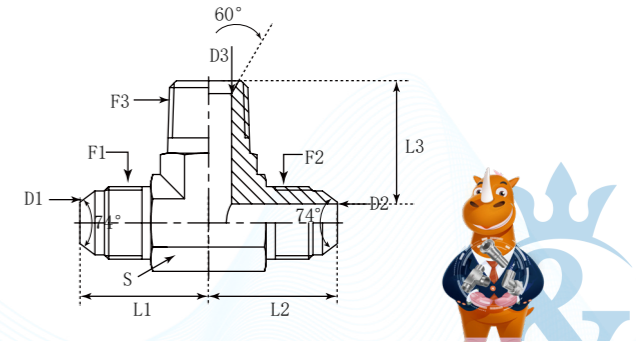
DAJCMT28M-0606IN	9/16"-18	9/16"-18	3/8"-18	7.54	7.54	10.31	29.00	29.00	31.00	3/4"	Imperial
DAJCMT28M-0608IN	9/16"-18	9/16"-18	1/2"-14	7.54	7.54	13.49	31.00	31.00	37.30	7/8"	Imperial
DAJCMT28M-0804	3/4"-16	3/4"-16	1/4"-18	9.93	9.93	7.14	31.80	31.80	31.00	19 mm	Metric
DAJCMT28M-0806	3/4"-16	3/4"-16	3/8"-18	9.93	9.93	10.31	31.80	31.80	31.00	19 mm	Metric
DAJCMT28M-0808	3/4"-16	3/4"-16	1/2"-14	9.93	9.93	13.49	33.80	33.80	37.30	22 mm	Metric
DAJCMT28M-0812	3/4"-16	3/4"-16	3/4"-14	9.93	9.93	18.26	36.10	36.10	40.40	27 mm	Metric
DAJCMT28M-0804IN	3/4"-16	3/4"-16	1/4"-18	9.93	9.93	7.14	31.80	31.80	31.00	3/4"	Imperial
DAJCMT28M-0806IN	3/4"-16	3/4"-16	3/8"-18	9.93	9.93	10.31	31.80	31.80	31.00	3/4"	Imperial
DAJCMT28M-0808IN	3/4"-16	3/4"-16	1/2"-14	9.93	9.93	13.49	33.80	33.80	37.30	7/8"	Imperial
DAJCMT28M-0812IN	3/4"-16	3/4"-16	3/4"-14	9.93	9.93	18.26	36.10	36.10	40.40	1-1/16"	Imperial
DAJCMT28M-1006	7/8"-14	7/8"-14	3/8"-18	12.29	12.29	10.31	36.80	36.80	32.50	22 mm	Metric
DAJCMT28M-1008	7/8"-14	7/8"-14	1/2"-14	12.29	12.29	13.49	36.80	36.80	37.30	22 mm	Metric
DAJCMT28M-1012	7/8"-14	7/8"-14	3/4"-14	12.29	12.29	18.26	39.10	39.10	40.40	27 mm	Metric
DAJCMT28M-1006IN	7/8"-14	7/8"-14	3/8"-18	12.29	12.29	10.31	36.80	36.80	32.50	7/8"	Imperial
DAJCMT28M-1008IN	7/8"-14	7/8"-14	1/2"-14	12.29	12.29	13.49	36.80	36.80	37.30	7/8"	Imperial
DAJCMT28M-1012IN	7/8"-14	7/8"-14	3/4"-14	12.29	12.29	18.26	39.10	39.10	40.40	1-1/16"	Imperial
DAJCMT28M-1208	1-1/16"-12	1-1/16"-12	1/2"-14	15.47	15.47	13.49	42.20	42.20	40.40	27 mm	Metric
DAJCMT28M-1212	1-1/16"-12	1-1/16"-12	3/4"-14	15.47	15.47	18.26	42.20	42.20	40.40	27 mm	Metric
DAJCMT28M-1208IN	1-1/16"-12	1-1/16"-12	1/2"-14	15.47	15.47	13.49	42.20	42.20	40.40	1-1/16"	Imperial
DAJCMT28M-1212IN	1-1/16"-12	1-1/16"-12	3/4"-14	15.47	15.47	18.26	42.20	42.20	40.40	1-1/16"	Imperial
DAJCMT28M-1408	1-3/16"-12	1-3/16"-12	1/2"-14	18.26	18.26	13.49	45.70	45.70	42.90	33 mm	Metric
DAJCMT28M-1412	1-3/16"-12	1-3/16"-12	3/4"-14	18.26	18.26	18.26	45.70	45.70	42.90	33 mm	Metric
DAJCMT28M-1416	1-3/16"-12	1-3/16"-12	1"-11-1/2	18.26	18.26	23.83	45.70	45.70	50.00	33 mm	Metric
DAJCMT28M-1408IN	1-3/16"-12	1-3/16"-12	1/2"-14	18.26	18.26	13.49	45.70	45.70	42.90	1-5/16"	Imperial
DAJCMT28M-1412IN	1-3/16"-12	1-3/16"-12	3/4"-14	18.26	18.26	18.26	45.70	45.70	42.90	1-5/16"	Imperial
DAJCMT28M-1416IN	1-3/16"-12	1-3/16"-12	1"-11-1/2	18.26	18.26	23.83	45.70	45.70	50.00	1-5/16"	Imperial
DAJCMT28M-1612	1-5/16"-12	1-5/16"-12	3/4"-14	21.44	21.44	18.26	46.00	46.00	45.20	33 mm	Metric
DAJCMT28M-1616	1-5/16"-12	1-5/16"-12	1"-11-1/2	21.44	21.44	23.83	46.00	46.00	50.00	33 mm	Metric
DAJCMT28M-1612IN	1-5/16"-12	1-5/16"-12	3/4"-14	21.44	21.44	18.26	46.00	46.00	45.20	1-5/16"	Imperial
DAJCMT28M-1616IN	1-5/16"-12	1-5/16"-12	1"-11-1/2	21.44	21.44	23.83	46.00	46.00	50.00	1-5/16"	Imperial
DAJCMT28M-2016	1-5/8"-12	1-5/8"-12	1"-11-1/2	27.38	27.38	23.83	52.30	52.30	59.70	41 mm	Metric
DAJCMT28M-2020	1-5/8"-12	1-5/8"-12	1-1/4"-11-1/2	27.38	27.38	31.75	52.30	52.30	60.50	41 mm	Metric
DAJCMT28M-2016IN	1-5/8"-12	1-5/8"-12	1"-11-1/2	27.38	27.38	23.83	52.30	52.30	59.70	1-5/8"	Imperial
DAJCMT28M-2020IN	1-5/8"-12	1-5/8"-12	1-1/4"-11-1/2	27.38	27.38	31.75	52.30	52.30	60.50	1-5/8"	Imperial
DAJCMT28M-2424	1-7/8"-12	1-7/8"-12	1-1/2"-11-1/2	33.32	33.32	38.10	59.20	59.20	67.10	48 mm	Metric
DAJCMT28M-2424IN	1-7/8"-12	1-7/8"-12	1-1/2"-11-1/2	33.32	33.32	38.10	59.20	59.20	67.10	1-7/8"	Imperial
DAJCMT28M-3232	2-1/2"-12	2-1/2"-12	2"-11-1/2	45.24	45.24	49.23	77.70	77.70	76.20	65 mm	Metric
DAJCMT28M-3232IN	2-1/2"-12	2-1/2"-12	2"-11-1/2	45.24	45.24	49.23	77.70	77.70	76.20	2-1/2"	Imperial

DAJCMT07M

Branch Tee Connector JIC Male – BSPT Male



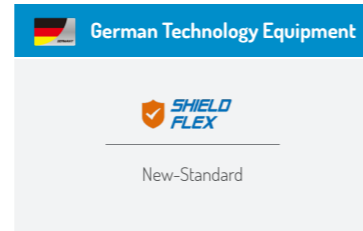
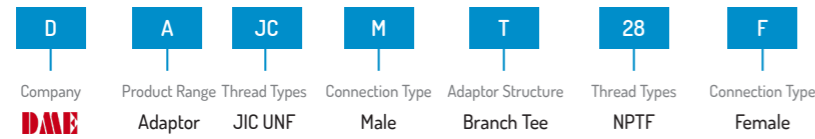
- DME&JDE Code:** DAJCMT07M
- Product Type:** Hydraulic adaptor
- Standard:** JIC and SAE-ORB
- Structure:** Branch Tee
- Connection Type:** Male x Male x Male
- Thread Types:** UNF x UNF x NPTF



PART NUMBER	F1 (Thread)	F2 (Thread)	F3 (Thread)	D1	D2	D3	L1	L2	L3	S
#	UNF	UNF	BSPT	mm	mm	mm	mm	mm	mm	mm
DAJCMT07M-0402	7/16"-20	7/16"-20	1/8"-28	4.37	4.37	4.50	22.60	22.60	19.80	11
DAJCMT07M-0404	7/16"-20	7/16"-20	1/4"-19	4.37	4.37	6.00	26.70	26.70	27.70	14
DAJCMT07M-0406	7/16"-20	7/16"-20	3/8"-19	4.37	4.37	9.00	28.50	28.50	31.00	19
DAJCMT07M-0502	1/2"-20	1/2"-20	1/8"-28	5.94	5.94	4.50	24.10	24.10	19.80	14
DAJCMT07M-0504	1/2"-20	1/2"-20	1/4"-19	5.94	5.94	6.00	26.70	26.70	27.70	14
DAJCMT07M-0602	9/16"-18	9/16"-18	1/8"-28	7.54	7.54	4.50	26.90	26.90	22.90	14
DAJCMT07M-0604	9/16"-18	9/16"-18	1/4"-19	7.54	7.54	6.00	26.90	26.90	27.70	14
DAJCMT07M-0606	9/16"-18	9/16"-18	3/8"-19	7.54	7.54	9.00	29.00	29.00	31.00	19
DAJCMT07M-0608	9/16"-18	9/16"-18	1/2"-14	7.54	7.54	12.00	31.00	31.00	37.30	22
DAJCMT07M-0806	3/4"-16	3/4"-16	3/8"-19	9.93	9.93	9.00	31.80	31.80	31.00	19
DAJCMT07M-0808	3/4"-16	3/4"-16	1/2"-14	9.93	9.93	12.00	36.80	36.80	37.30	22
DAJCMT07M-0812	3/4"-16	3/4"-16	3/4"-14	9.93	9.93	16.70	36.10	36.10	40.40	27
DAJCMT07M-0816	3/4"-16	3/4"-16	1"-11	9.93	9.93	22.20	38.80	38.80	50.00	33
DAJCMT07M-1006	7/8"-14	7/8"-14	3/8"-19	12.29	12.29	9.00	36.80	36.80	32.50	22
DAJCMT07M-1008	7/8"-14	7/8"-14	1/2"-14	12.29	12.29	12.00	36.80	36.80	37.30	22
DAJCMT07M-1012	7/8"-14	7/8"-14	3/4"-14	12.29	12.29	16.70	39.12	39.12	40.39	27
DAJCMT07M-1016	7/8"-14	7/8"-14	1"-11	12.29	12.29	22.20	41.70	41.70	50.00	33
DAJCMT07M-1208	1-1/16"-12	1-1/16"-12	1/2"-14	15.47	15.47	12.00	42.20	42.20	40.40	27
DAJCMT07M-1212	1-1/16"-12	1-1/16"-12	3/4"-14	15.47	15.47	16.70	42.20	42.20	40.40	27
DAJCMT07M-1220	1-1/16"-12	1-1/16"-12	1-1/4"-11	15.47	15.47	28.60	50.00	50.00	60.50	41
DAJCMT07M-1608	1-5/16"-12	1-5/16"-12	1/2"-14	21.44	21.44	12.00	46.00	46.00	45.00	33
DAJCMT07M-1612	1-5/16"-12	1-5/16"-12	3/4"-14	21.44	21.44	16.70	46.00	46.00	45.20	33
DAJCMT07M-1616	1-5/16"-12	1-5/16"-12	1"-11	21.44	21.44	22.20	46.00	46.00	50.00	33
DAJCMT07M-1620	1-5/16"-12	1-5/16"-12	1-1/4"-11	21.44	21.44	28.60	51.10	51.10	60.50	41
DAJCMT07M-2016	1-5/8"-12	1-5/8"-12	1"-11	27.38	27.38	22.20	52.30	52.30	59.70	41
DAJCMT07M-2020	1-5/8"-12	1-5/8"-12	1-1/4"-11	27.38	27.38	28.60	52.30	52.30	60.50	41
DAJCMT07M-2024	1-5/8"-12	1-5/8"-12	1-1/2"-11	27.38	27.38	33.30	56.00	56.00	67.10	48
DAJCMT07M-2424	1-7/8"-12	1-7/8"-12	1-1/2"-11	33.32	33.32	33.30	59.20	59.20	67.10	48
DAJCMT07M-3224	2-1/2"-12	2-1/2"-12	-1/2"-11	45.24	45.24	33.30	77.70	77.70	75.40	63.5
DAJCMT07M-3232	2-1/2"-12	2-1/2"-12	2"-11	45.24	45.24	45.00	77.70	77.70	76.20	65

DAJCMT28F

Branch Tee Connector JIC Male – NPTF Female



DME&JDE Code: **DAJCMT28F**

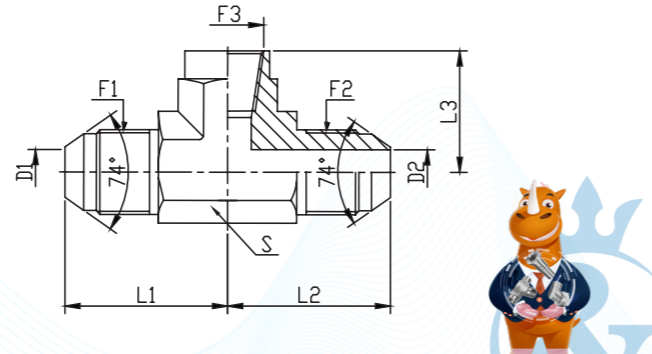
Product Type: **Hydraulic adaptor**

Standard: **JIC and SAE-ORB**

Structure: **Branch Tee**

Connection Type: **Male x Male x Female**

Thread Types: **UNF x UNF x NPTF**



PART NUMBER	F1 (Thread)	F2 (Thread)	F3 (Thread)	D1	D2	L1	L2	L3	S	Hex
#	UNF	UNF	NPTF	mm	mm	mm	mm	mm	-	-
DAJCMT28F-0202	5/16"-24	5/16"-24	1/8"-27	1.57	1.57	25.4	25.4	16.8	14 mm	Metric
DAJCMT28F-0202IN	5/16"-24	5/16"-24	1/8"-27	1.57	1.57	25.4	25.4	16.8	9/16"	Imperial
DAJCMT28F-0402	7/16"-20	7/16"-20	1/8"-27	4.37	4.37	27.40	27.40	16.80	14 mm	Metric
DAJCMT28F-0404	7/16"-20	7/16"-20	1/4"-18	4.37	4.37	31.00	31.00	22.40	19 mm	Metric
DAJCMT28F-0402IN	7/16"-20	7/16"-20	1/8"-27	4.37	4.37	27.40	27.40	16.80	9/16"	Imperial
DAJCMT28F-0404IN	7/16"-20	7/16"-20	1/4"-18	4.37	4.37	31.00	31.00	22.40	3/4"	Imperial
DAJCMT28F-0502	1/2"-20	1/2"-20	1/8"-27	5.94	5.94	27.40	27.40	16.80	14 mm	Metric
DAJCMT28F-0504	1/2"-20	1/2"-20	1/4"-18	5.94	5.94	31.00	31.00	22.40	19 mm	Metric
DAJCMT28F-0502IN	1/2"-20	1/2"-20	1/8"-27	5.94	5.94	27.40	27.40	16.80	9/16"	Imperial
DAJCMT28F-0504IN	1/2"-20	1/2"-20	1/4"-18	5.94	5.94	31.00	31.00	22.40	3/4"	Imperial
DAJCMT28F-0602	9/16"-18	9/16"-18	1/8"-27	7.54	7.54	31.20	31.20	17.00	14 mm	Metric
DAJCMT28F-0604	9/16"-18	9/16"-18	1/4"-18	7.54	7.54	31.20	31.20	22.40	19 mm	Metric
DAJCMT28F-0606	9/16"-18	9/16"-18	3/8"-18	7.54	7.54	33.30	33.30	25.90	22 mm	Metric
DAJCMT28F-0608	9/16"-18	9/16"-18	1/2"-14	7.54	7.54	35.80	35.80	31.20	27 mm	Metric
DAJCMT28F-0602IN	9/16"-18	9/16"-18	1/8"-27	7.54	7.54	31.20	31.20	17.00	9/16"	Imperial
DAJCMT28F-0604IN	9/16"-18	9/16"-18	1/4"-18	7.54	7.54	31.20	31.20	22.40	3/4"	Imperial
DAJCMT28F-0606IN	9/16"-18	9/16"-18	3/8"-18	7.54	7.54	33.30	33.30	25.90	7/8"	Imperial
DAJCMT28F-0608IN	9/16"-18	9/16"-18	1/2"-14	7.54	7.54	35.80	35.80	31.20	1-1/16"	Imperial

DAJCMT28F-0804	3/4"-16	3/4"-16	1/4"-18	9.93	9.93	36.10	36.10	25.90	22 mm	Metric
DAJCMT28F-0806	3/4"-16	3/4"-16	3/8"-18	9.93	9.93	36.10	36.10	25.90	22 mm	Metric
DAJCMT28F-0808	3/4"-16	3/4"-16	1/2"-14	9.93	9.93	38.60	38.60	31.20	27 mm	Metric
DAJCMT28F-0812	3/4"-16	3/4"-16	3/4"-14	9.93	9.93	41.90	41.90	34.50	33 mm	Metric
DAJCMT28F-0804IN	3/4"-16	3/4"-16	1/4"-18	9.93	9.93	36.10	36.10	25.90	7/8"	Imperial
DAJCMT28F-0806IN	3/4"-16	3/4"-16	3/8"-18	9.93	9.93	36.10	36.10	25.90	7/8"	Imperial
DAJCMT28F-0808IN	3/4"-16	3/4"-16	1/2"-14	9.93	9.93	38.60	38.60	31.20	1-1/16"	Imperial
DAJCMT28F-0812IN	3/4"-16	3/4"-16	3/4"-14	9.93	9.93	41.90	41.90	34.50	1-5/16"	Imperial
DAJCMT28F-1008	7/8"-14	7/8"-14	1/2"-14	12.29	12.29	41.70	41.70	31.20	27 mm	Metric
DAJCMT28F-1012	7/8"-14	7/8"-14	3/4"-14	12.29	12.29	44.80	44.80	34.50	33 mm	Metric
DAJCMT28F-1008IN	7/8"-14	7/8"-14	1/2"-14	12.29	12.29	41.70	41.70	31.20	1-1/16"	Imperial
DAJCMT28F-1012IN	7/8"-14	7/8"-14	3/4"-14	12.29	12.29	44.80	44.80	34.50	1-5/16"	Imperial
DAJCMT28F-1208	1-1/16"-12	1-1/16"-12	1/2"-14	15.47	15.47	42.20	42.20	31.20	27 mm	Metric
DAJCMT28F-1212	1-1/16"-12	1-1/16"-12	3/4"-14	15.47	15.47	48.00	48.00	34.50	33 mm	Metric
DAJCMT28F-1216	1-1/16"-12	1-1/16"-12	1"-11-1/2	15.47	15.47	53.90	53.90	41.20	41 mm	Metric
DAJCMT28F-1208IN	1-1/16"-12	1-1/16"-12	1/2"-14	15.47	15.47	42.20	42.20	31.20	1-1/16"	Imperial
DAJCMT28F-1212IN	1-1/16"-12	1-1/16"-12	3/4"-14	15.47	15.47	48.00	48.00	34.50	1-5/16"	Imperial
DAJCMT28F-1216IN	1-1/16"-12	1-1/16"-12	1"-11-1/2	15.47	15.47	53.90	53.90	41.20	1-5/8"	Imperial
DAJCMT28F-1412	1-3/16"-12	1-3/16"-12	3/4"-14	18.26	18.26	47.20	47.20	36.00	33 mm	Metric
DAJCMT28F-1412IN	1-3/16"-12	1-3/16"-12	3/4"-14	18.26	18.26	47.20	47.20	36.00	1-5/16"	Imperial
DAJCMT28F-1612	1-5/16"-12	1-5/16"-12	3/4"-14	21.44	21.44	55.10	55.10	35.40	33 mm	Metric
DAJCMT28F-1616	1-5/16"-12	1-5/16"-12	1"-11-1/2	21.44	21.44	55.10	55.10	41.20	41 mm	Metric
DAJCMT28F-1612IN	1-5/16"-12	1-5/16"-12	3/4"-14	21.44	21.44	55.10	55.10	35.40	1-5/16"	Imperial
DAJCMT28F-1616IN	1-5/16"-12	1-5/16"-12	1"-11-1/2	21.44	21.44	55.10	55.10	41.20	1-5/8"	Imperial
DAJCMT28F-2020	1-5/8"-12	1-5/8"-12	1-1/4"-11-1/2	27.38	27.38	59.20	59.20	43.20	48 mm	Metric
DAJCMT28F-2020IN	1-5/8"-12	1-5/8"-12	1-1/4"-11-1/2	27.38	27.38	59.20	59.20	43.20	1-7/8"	Imperial
DAJCMT28F-2424	1-7/8"-12	1-7/8"-12	1-1/2"-11-1/2	33.32	33.32	73.10	73.10	52.80	65 mm	Metric
DAJCMT28F-2424IN	1-7/8"-12	1-7/8"-12	1-1/2"-11-1/2	33.32	33.32	73.10	73.10	52.80	2-9/16"	Imperial
DAJCMT28F-3232	2-1/2"-12	2-1/2"-12	2"-11-1/2	45.24	45.24	83.80	83.80	60.70	70 mm	Metric
DAJCMT28F-3232IN	2-1/2"-12	2-1/2"-12	2"-11-1/2	45.24	45.24	83.80	83.80	60.70	2-13/16"	Imperial



DAJCMT05F

Branch Tee Connector JIC Male – BSPP Fixed Female

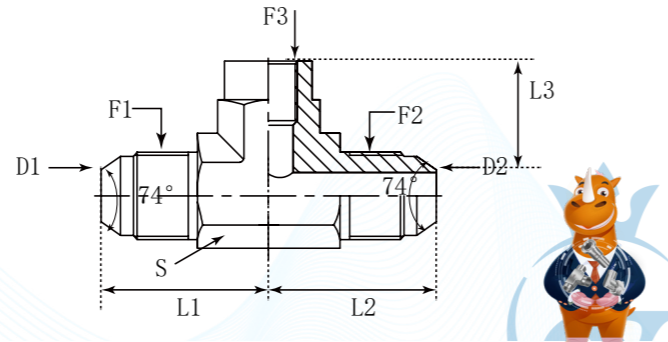
D	A	JC	M	T	05	F
Company	Product Range	Thread Types	Connection Type	Adaptor Structure	Thread Types	Connection Type
DME	Adaptor	JIC UNF	Male	Branch Tee	BSPP	Female

German Technology Equipment

SHIELD FLEX

New-Standard

- DME&JDE Code: **DAJCMT05F**
- Product Type: **Hydraulic adaptor**
- Standard: **JIC and SAE-ORB**
- Structure: **Branch Tee**
- Connection Type: **Male x Male x Fixed Female**
- Thread Types: **UNF x UNF x BSPP**



PART NUMBER	F1 (Thread)	F2 (Thread)	F3 (Thread)	D1	D2	L1	L2	L3	S
#	UNF	UNF	BSPP	mm	mm	mm	mm	mm	mm
DAJCMT05F-0402	7/16"-20	7/16"-20	1/8"-28	4.37	4.37	27.40	27.40	16.80	14
DAJCMT05F-0404	7/16"-20	7/16"-20	1/4"-19	4.37	4.37	31.00	31.00	22.40	19
DAJCMT05F-0502	1/2"-20	1/2"-20	1/8"-28	5.94	5.94	27.40	27.40	16.80	14
DAJCMT05F-0504	1/2"-20	1/2"-20	1/4"-19	5.94	5.94	31.00	31.00	22.40	19
DAJCMT05F-0602	9/16"-18	9/16"-18	1/8"-28	7.54	7.54	31.20	31.20	17.00	14
DAJCMT05F-0604	9/16"-18	9/16"-18	1/4"-19	7.54	7.54	31.20	31.20	22.40	19
DAJCMT05F-0606	9/16"-18	9/16"-18	3/8"-19	7.54	7.54	33.30	33.30	25.90	22
DAJCMT05F-0608	9/16"-18	9/16"-18	1/2"-14	7.54	7.54	35.80	35.80	31.20	27
DAJCMT05F-0804	3/4"-16	3/4"-16	1/4"-19	9.93	9.93	36.10	36.10	25.70	19
DAJCMT05F-0806	3/4"-16	3/4"-16	3/8"-19	9.93	9.93	36.10	36.10	25.90	22
DAJCMT05F-0808	3/4"-16	3/4"-16	1/2"-14	9.93	9.93	38.60	38.60	31.20	27
DAJCMT05F-0812	3/4"-16	3/4"-16	3/4"-14	9.93	9.93	41.90	41.90	34.50	33
DAJCMT05F-1008	7/8"-14	7/8"-14	1/2"-14	12.29	12.29	41.70	41.70	31.20	27
DAJCMT05F-1208	1-1/16"-12	1-1/16"-12	1/2"-14	15.47	15.47	48.00	48.00	34.30	27
DAJCMT05F-1212	1-1/16"-12	1-1/16"-12	3/4"-14	15.47	15.47	48.00	48.00	34.50	33
DAJCMT05F-1612	1-5/16"-12	1-5/16"-12	3/4"-14	21.44	21.44	55.10	55.10	35.30	33
DAJCMT05F-1616	1-5/16"-12	1-5/16"-12	1"-11	21.44	21.44	55.10	55.10	41.20	41
DAJCMT05F-2016	1-5/8"-12	1-5/8"-12	1"-11	27.38	27.38	52.30	52.30	42.00	41
DAJCMT05F-2020	1-5/8"-12	1-5/8"-12	1-1/4"-11	27.38	27.38	59.20	59.20	43.20	48
DAJCMT05F-2420	1-7/8"-12	1-7/8"-12	1-1/4"-11	33.32	33.32	59.20	59.20	43.00	48
DAJCMT05F-2424	1-7/8"-12	1-7/8"-12	1-1/2"-11	33.32	33.32	73.40	73.40	52.80	65
DAJCMT05F-3232	2-1/2"-12	2-1/2"-12	2"-11	45.24	45.24	83.80	83.80	60.70	70

DAJCMT25T

Branch Bulkhead Tee Connector JIC Male – JIC Male

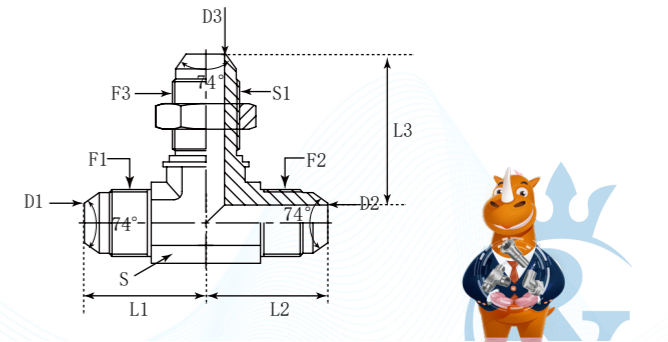
D	A	JC	M	T	25	T
Company	Product Range	Thread Types	Connection Type	Adaptor Structure	Thread Types	Connection Type
DME	Adaptor	JIC UNF	Male	Branch Tee	Metric	Bulkhead Male

German Technology Equipment

SHIELD FLEX

New-Standard

- DME&JDE Code: **DAJCMT25T**
- Product Type: **Hydraulic adaptor**
- Standard: **JIC and SAE-ORB**
- Structure: **Branch Tee**
- Connection Type: **Male x Male x Male**
- Thread Types: **UNF x UNF x UNF**
- Other Features: **Bulkhead**



PART NUMBER	F1 (Thread)	F2 (Thread)	F3 (Thread)	L1	L2	L3	D1	D2	D3	S	S1	Hex
#	UNF	UNF	UNF	mm	mm	mm	mm	mm	mm	-	-	-
DAJCMT25T-0303	3/8"-24	3/8"-24	3/8"-24	23.88	23.88	38.10	3.18	3.18	3.18	11 mm	16 mm	Metric
DAJCMT25T-0303IN	3/8"-24	3/8"-24	3/8"-24	23.88	23.88	38.10	3.18	3.18	3.18	7/16"	9/16"	Imperial
DAJCMT25T-0404	7/16"-20	7/16"-20	7/16"-20	24.60	24.60	40.40	4.37	4.37	4.37	11 mm	17 mm	Metric
DAJCMT25T-0404IN	7/16"-20	7/16"-20	7/16"-20	24.60	24.60	40.40	4.37	4.37	4.37	7/16"	11/16"	Imperial
DAJCMT25T-0505	1/2"-20	1/2"-20	1/2"-20	26.90	26.90	43.70	5.94	5.94	5.94	14 mm	19 mm	Metric
DAJCMT25T-0505IN	1/2"-20	1/2"-20	1/2"-20	26.90	26.90	43.70	5.94	5.94	5.94	9/16"	3/4"	Imperial
DAJCMT25T-0606	9/16"-18	9/16"-18	9/16"-18	27.70	27.70	46.00	7.54	7.54	7.54	14 mm	22 mm	Metric
DAJCMT25T-0606IN	9/16"-18	9/16"-18	9/16"-18	27.70	27.70	46.00	7.54	7.54	7.54	9/16"	13/16"	Imperial
DAJCMT25T-0808	3/4"-16	3/4"-16	3/4"-16	34.50	34.50	53.60	9.93	9.93	9.93	19 mm	24 mm	Metric
DAJCMT25T-0808IN	3/4"-16	3/4"-16	3/4"-16	34.50	34.50	53.60	9.93	9.93	9.93	3/4"	1"	Imperial
DAJCMT25T-1010	7/8"-14	7/8"-14	7/8"-14	39.60	39.60	60.70	12.29	12.29	12.29	22 mm	30 mm	Metric
DAJCMT25T-1010IN	7/8"-14	7/8"-14	7/8"-14	39.60	39.60	60.70	12.29	12.29	12.29	7/8"	1-1/8"	Imperial
DAJCMT25T-1212	1-1/16"-12	1-1/16"-12	1-1/16"-12	45.20	45.20	67.80	15.47	15.47	15.47	27 mm	36 mm	Metric
DAJCMT25T-1212IN	1-1/16"-12	1-1/16"-12	1-1/16"-12	45.20	45.20	67.80	15.47	15.47	15.47	1-1/16"	1-3/8"	Imperial
DAJCMT25T-1414	1-3/16"-12	1-3/16"-12	1-3/16"-12	48.80	48.80	71.10	18.26	18.26	18.26	33 mm	41 mm	Metric
DAJCMT25T-1414IN	1-3/16"-12	1-3/16"-12	1-3/16"-12	48.80	48.80	71.10	18.26	18.26	18.26	1-5/16"	1-1/2"	Imperial
DAJCMT25T-1616	1-5/16"-12	1-5/16"-12	1-5/16"-12	49.30	49.30	71.10	21.44	21.44	21.44	33 mm	41 mm	Metric
DAJCMT25T-1616IN	1-5/16"-12	1-5/16"-12	1-5/16"-12	49.30	49.30	71.10	21.44	21.44	21.44	1-5/16"	1-5/8"	Imperial
DAJCMT25T-2020	1-5/8"-12	1-5/8"-12	1-5/8"-12	55.10	55.10	79.30	27.38	27.38	27.38	41 mm	50 mm	Metric
DAJCMT25T-2020IN	1-5/8"-12	1-5/8"-12	1-5/8"-12	55.10	55.10	79.30	27.38	27.38	27.38	1-5/8"	1-7/8"	Imperial
DAJCMT25T-2424	1-7/8"-12	1-7/8"-12	1-7/8"-12	59.40	59.40	86.90	33.32	33.32	33.32	48 mm	55 mm	Metric
DAJCMT25T-2424IN	1-7/8"-12	1-7/8"-12	1-7/8"-12	59.40	59.40	86.90	33.32	33.32	33.32	1-7/8"	2-1/8"	Imperial
DAJCMT25T-3232	2-1/2"-12	2-1/2"-12	2-1/2"-12	73.40	73.40	104.40	45.24	45.24	45.24	65 mm	70 mm	Metric
DAJCMT25T-3232IN	2-1/2"-12	2-1/2"-12	2-1/2"-12	73.40	73.40	104.40	45.24	45.24	45.24	2-1/2"	2-3/4"	Imperial

DAJC1T25M

Branch Tee Connector JIC Swivel Female – JIC Male

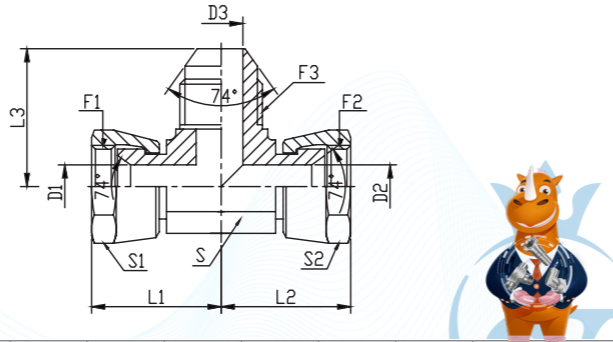
D	A	JC	I	T	25	M
Company	Product Range	Thread Types	Connection Type	Adaptor Structure	Thread Types	Connection Type
DME	Adaptor	JIC UNF	Swivel Female	Branch Tee	JIC UNF	Male

German Technology Equipment

SHIELD FLEX

New-Standard

- DME&JDE Code: **DAJC1T25M**
- Product Type: **Hydraulic adaptor**
- Standard: **JIC and SAE-ORB**
- Structure: **Branch Tee**
- Connection Type: **Swivel Female x Swivel Female x Male**
- Thread Types: **UNF x UNF x UNF**



PART NUMBER	F1 (Thread)	F2 (Thread)	F3 (Thread)	D1	D2	D3	L1	L2	L3	S	S1	S2	Hex
#	UNF	UNF	UNF	mm	mm	mm	mm	mm	mm	-	-	-	-
DAJC1T25M-0404	7/16"-20	7/16"-20	7/16"-20	4.37	4.37	4.37	16.66	16.66	22.61	11 mm	14 mm	14 mm	Metric
DAJC1T25M-0404IN	7/16"-20	7/16"-20	7/16"-20	4.37	4.37	4.37	16.66	16.66	22.61	7/16"	9/16"	9/16"	Imperial
DAJC1T25M-0505	1/2"-20	1/2"-20	1/2"-20	5.94	5.94	5.94	17.40	17.40	24.13	14 mm	17 mm	17 mm	Metric
DAJC1T25M-0505IN	1/2"-20	1/2"-20	1/2"-20	5.94	5.94	5.94	17.40	17.40	24.13	9/16"	5/8"	5/8"	Imperial
DAJC1T25M-0606	9/16"-18	9/16"-18	9/16"-18	7.54	7.54	7.54	22.22	22.22	26.92	14 mm	17 mm	17 mm	Metric
DAJC1T25M-0606IN	9/16"-18	9/16"-18	9/16"-18	7.54	7.54	7.54	22.22	22.22	26.92	9/16"	11/16"	11/16"	Imperial
DAJC1T25M-0808	3/4"-16	3/4"-16	3/4"-16	9.93	9.93	9.93	24.33	24.33	31.75	19 mm	22 mm	22 mm	Metric
DAJC1T25M-0808IN	3/4"-16	3/4"-16	3/4"-16	9.93	9.93	9.93	24.33	24.33	31.75	3/4"	7/8"	7/8"	Imperial
DAJC1T25M-1010	7/8"-14	7/8"-14	7/8"-14	12.29	12.29	12.29	28.45	28.45	36.83	22 mm	27 mm	27 mm	Metric
DAJC1T25M-1010IN	7/8"-14	7/8"-14	7/8"-14	12.29	12.29	12.29	28.45	28.45	36.83	7/8"	1"	1"	Imperial
DAJC1T25M-1212	1-1/16"-12	1-1/16"-12	1-1/16"-12	15.47	15.47	15.47	30.18	30.18	42.16	27 mm	32 mm	32 mm	Metric
DAJC1T25M-1212IN	1-1/16"-12	1-1/16"-12	1-1/16"-12	15.47	15.47	15.47	30.18	30.18	42.16	1-1/16"	1-1/4"	1-1/4"	Imperial
DAJC1T25M-1616	1-5/16"-12	1-5/16"-12	1-5/16"-12	21.44	21.44	21.44	35.71	35.71	45.97	33 mm	41 mm	41 mm	Metric
DAJC1T25M-1616IN	1-5/16"-12	1-5/16"-12	1-5/16"-12	21.44	21.44	21.44	35.71	35.71	45.97	1-5/16"	1-1/2"	1-1/2"	Imperial
DAJC1T25M-2020	1-5/8"-12	1-5/8"-12	1-5/8"-12	27.38	27.38	27.38	42.80	42.80	52.30	41 mm	50 mm	50 mm	Metric
DAJC1T25M-2020IN	1-5/8"-12	1-5/8"-12	1-5/8"-12	27.38	27.38	27.38	42.80	42.80	52.30	1-5/8"	2"	2"	Imperial
DAJC1T25M-2424	1-7/8"-12	1-7/8"-12	1-7/8"-12	33.32	33.32	33.32	47.14	47.14	59.18	50 mm	58 mm	58 mm	Metric
DAJC1T25M-2424IN	1-7/8"-12	1-7/8"-12	1-7/8"-12	33.32	33.32	33.32	47.14	47.14	59.18	1-7/8"	2-1/4"	2-1/4"	Imperial

DAJC1T28M

Branch Tee Connector JIC Swivel Female – NPTF Male

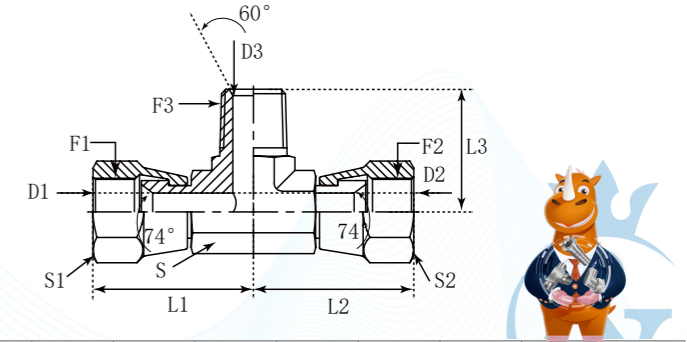
D	A	JC	I	T	28	M
Company	Product Range	Thread Types	Connection Type	Adaptor Structure	Thread Types	Connection Type
DME	Adaptor	JIC UNF	Swivel Female	Branch Tee	NPTF	Male

German Technology Equipment

SHIELD FLEX

New-Standard

- DME&JDE Code: **DAJC1T28M**
- Product Type: **Hydraulic adaptor**
- Standard: **JIC and SAE-ORB**
- Structure: **Branch Tee**
- Connection Type: **Swivel Female x Swivel Female x Male**
- Thread Types: **UNF x UNF x NPTF**



PART NUMBER	F1 (Thread)	F2 (Thread)	F3 (Thread)	D1	D2	D3	L1	L2	L3	S	S1	S2	Hex
#	UNF	UNF	UNF	mm	mm	mm	mm	mm	mm	-	-	-	-
DAJC1T28M-0404	7/16"-20	7/16"-20	1/4"-18	4.37	4.37	7.14	20.06	20.06	27.70	14 mm	14 mm	14 mm	Metric
DAJC1T28M-0404IN	7/16"-20	7/16"-20	1/4"-18	4.37	4.37	7.14	20.06	20.06	27.70	9/16"	9/16"	9/16"	Imperial
DAJC1T28M-0606	9/16"-18	9/16"-18	3/8"-18	7.54	7.54	10.31	22.22	22.22	31.80	19 mm	19 mm	19 mm	Metric
DAJC1T28M-0606IN	9/16"-18	9/16"-18	3/8"-18	7.54	7.54	10.31	22.22	22.22	31.80	3/4"	11/16"	11/16"	Imperial
DAJC1T28M-0808	3/4"-16	3/4"-16	1/2"-14	9.93	9.93	13.49	27.43	27.43	37.30	22 mm	22 mm	22 mm	Metric
DAJC1T28M-0808IN	3/4"-16	3/4"-16	1/2"-14	9.93	9.93	13.49	27.43	27.43	37.30	7/8"	7/8"	7/8"	Imperial
DAJC1T28M-1212	1-1/16"-12	1-1/16"-12	3/4"-14	15.47	15.47	18.26	29.97	29.97	40.40	27 mm	32 mm	32 mm	Metric
DAJC1T28M-1212IN	1-1/16"-12	1-1/16"-12	3/4"-14	15.47	15.47	18.26	29.97	29.97	40.40	1-1/8"	1-1/4"	1-1/4"	Imperial
DAJC1T28M-1616	1-5/16"-12	1-5/16"-12	1"-11-1/2	21.44	21.44	23.83	35.71	35.71	50.04	33 mm	41 mm	41 mm	Metric
DAJC1T28M-1616IN	1-5/16"-12	1-5/16"-12	1"-11-1/2	21.44	21.44	23.83	35.71	35.71	50.04	1-5/16"	1-1/2"	1-1/2"	Imperial

DAJC1T251

Branch Tee Connector JIC Swivel Female – JIC Swivel Female

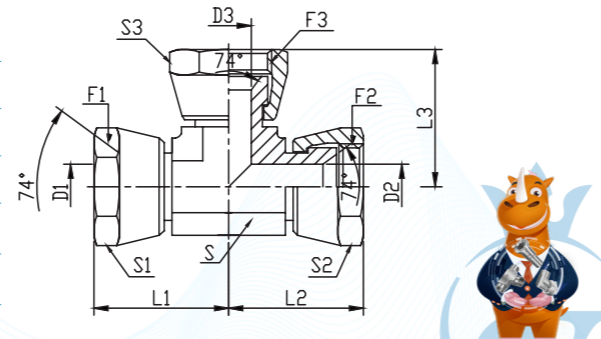
D	A	JC	I	T	251
Company	Product Range	Thread Types	Connection Type	Adaptor Structure	Connection Type
DME	Adaptor	JIC UNF	Swivel Female	Branch Tee	JIC Swivel Female

German Technology Equipment

SHIELD FLEX

New-Standard

- DME&JDE Code: **DAJC1T251**
- Product Type: **Hydraulic adaptor**
- Standard: **JIC and SAE-ORB**
- Structure: **Branch Tee**
- Connection Type: **Swivel Female x Swivel Female x Swivel Female**
- Thread Types: **UNF x UNF x UNF**



PART NUMBER	F1 (Thread)	F2 (Thread)	F3 (Thread)	D1	D2	D3	L	L2	L3	S	S1	S2	S3	Hex
#	UNF	UNF	NPTF	mm	mm	mm	mm	mm	mm	-	-	-	-	-
DAJC1T251-0404	7/16"-20	7/16"-20	7/16"-20	4.37	4.37	4.37	16.66	16.66	16.66	11 mm	14 mm	14 mm	14 mm	Metric
DAJC1T251-0404IN	7/16"-20	7/16"-20	7/16"-20	4.37	4.37	4.37	16.66	16.66	16.66	7/16"	9/16"	9/16"	9/16"	Imperial
DAJC1T251-0505	1/2"-20	1/2"-20	1/2"-20	5.94	5.94	5.94	17.40	17.40	17.40	14 mm	17 mm	17 mm	17 mm	Metric
DAJC1T251-0505IN	1/2"-20	1/2"-20	1/2"-20	5.94	5.94	5.94	17.40	17.40	17.40	9/16"	5/8"	5/8"	5/8"	Imperial
DAJC1T251-0606	9/16"-18	9/16"-18	9/16"-18	7.54	7.54	7.54	22.22	22.22	22.22	14 mm	19 mm	19 mm	19 mm	Metric
DAJC1T251-0606IN	9/16"-18	9/16"-18	9/16"-18	7.54	7.54	7.54	22.22	22.22	22.22	9/16"	11/16"	11/16"	11/16"	Imperial
DAJC1T251-0808	3/4"-16	3/4"-16	3/4"-16	9.93	9.93	9.93	24.33	24.33	24.33	19 mm	22 mm	22 mm	22 mm	Metric
DAJC1T251-0808IN	3/4"-16	3/4"-16	3/4"-16	9.93	9.93	9.93	24.33	24.33	24.33	3/4"	7/8"	7/8"	7/8"	Imperial
DAJC1T251-1010	7/8"-14	7/8"-14	7/8"-14	12.29	12.29	12.29	28.45	28.45	28.45	22 mm	27 mm	27 mm	27 mm	Metric
DAJC1T251-1010IN	7/8"-14	7/8"-14	7/8"-14	12.29	12.29	12.29	28.45	28.45	28.45	7/8"	1"	1"	1"	Imperial
DAJC1T251-1212	1-1/16"-12	1-1/16"-12	1-1/16"-12	15.47	15.47	15.47	30.18	30.18	30.18	27 mm	32 mm	32 mm	32 mm	Metric
DAJC1T251-1212IN	1-1/16"-12	1-1/16"-12	1-1/16"-12	15.47	15.47	15.47	30.18	30.18	30.18	1-1/16"	1-1/4"	1-1/4"	1-1/4"	Imperial
DAJC1T251-1616	1-5/16"-12	1-5/16"-12	1-5/16"-12	21.44	21.44	21.44	35.71	35.71	35.71	33 mm	41 mm	41 mm	41 mm	Metric
DAJC1T251-1616IN	1-5/16"-12	1-5/16"-12	1-5/16"-12	21.44	21.44	21.44	35.71	35.71	35.71	1-5/16"	1-1/2"	1-1/2"	1-1/2"	Imperial
DAJC1T251-2020	1-5/8"-12	1-5/8"-12	1-5/8"-12	27.42	27.42	27.42	42.80	42.80	42.80	41 mm	50 mm	50 mm	50 mm	Metric
DAJC1T251-2020IN	1-5/8"-12	1-5/8"-12	1-5/8"-12	27.42	27.42	27.42	42.80	42.80	42.80	1-5/8"	2"	2"	2"	Imperial



DAJCML251

Run Tee Connector JIC Male – JIC Swivel Female

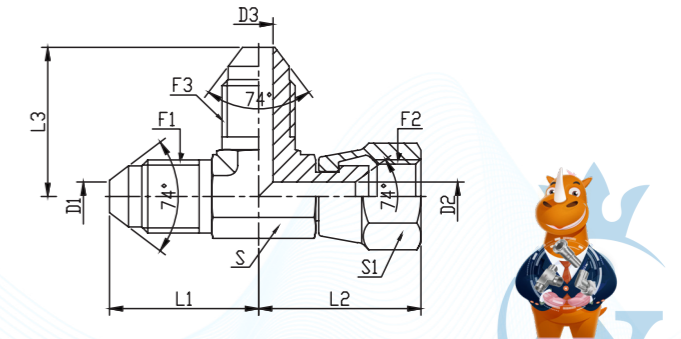
D	A	JC	M	L	251
Company	Product Range	Thread Types	Connection Type	Adaptor Structure	Connection Type
DME	Adaptor	JIC UNF	Male	Run Tee	JIC Swivel Female

German Technology Equipment

SHIELD FLEX

New-Standard

- DME&JDE Code: **DAJCML251**
- Product Type: **Hydraulic adaptor**
- Standard: **JIC and SAE-ORB**
- Structure: **Run Tee**
- Connection Type: **Male x Swivel Female**
- Thread Types: **UNF x UNF x UNF**



PART NUMBER	F1 (Thread)	F2 (Thread)	F3 (Thread)	L1	L2	L3	D1	D2	D3	S	S1	Hex
#	UNF	UNF	UNF	mm	mm	mm	mm	mm	mm	-	-	-
DAJCML251-0303	3/8"-24	3/8"-24	3/8"-24	21.08	17.07	21.08	3.18	3.18	3.18	11 mm	12 mm	Metric
DAJCML251-0303IN	3/8"-24	3/8"-24	3/8"-24	21.08	17.07	21.08	3.18	3.18	3.18	7/16"	1/2"	Imperial
DAJCML251-0404	7/16"-20	7/16"-20	7/16"-20	22.61	26.66	22.61	4.37	4.37	4.37	11 mm	14 mm	Metric
DAJCML251-0404IN	7/16"-20	7/16"-20	7/16"-20	22.61	26.66	22.61	4.37	4.37	4.37	7/16"	9/16"	Imperial
DAJCML251-0505	1/2"-20	1/2"-20	1/2"-20	24.10	17.40	24.10	5.94	5.94	5.94	14 mm	17 mm	Metric
DAJCML251-0505IN	1/2"-20	1/2"-20	1/2"-20	24.10	17.40	24.10	5.94	5.94	5.94	9/16"	5/8"	Imperial
DAJCML251-060604	9/16"-18	9/16"-18	7/16"-20	26.92	22.23	26.67	7.54	7.54	4.37	14 mm	19 mm	Metric
DAJCML251-0606	9/16"-18	9/16"-18	9/16"-18	26.92	22.23	26.92	7.54	7.54	7.54	14 mm	19 mm	Metric
DAJCML251-0608	9/16"-18	3/4"-16	9/16"-18	29.00	24.33	29.00	7.54	9.93	7.54	19 mm	22 mm	Metric
DAJCML251-060604IN	9/16"-18	9/16"-18	7/16"-20	26.92	22.23	26.67	7.54	7.54	4.37	9/16"	11/16"	Imperial
DAJCML251-0606IN	9/16"-18	9/16"-18	9/16"-18	26.92	22.23	26.92	7.54	7.54	7.54	9/16"	11/16"	Imperial
DAJCML251-0608IN	9/16"-18	3/4"-16	9/16"-18	29.00	24.33	29.00	7.54	9.93	7.54	3/4"	7/8"	Imperial
DAJCML251-080804	3/4"-16	3/4"-16	7/16"-20	31.75	24.33	28.45	9.93	9.93	4.37	19 mm	22 mm	Metric
DAJCML251-080806	3/4"-16	3/4"-16	9/16"-18	31.75	24.33	29.00	9.93	9.93	7.54	19 mm	22 mm	Metric
DAJCML251-0808	3/4"-16	3/4"-16	3/4"-16	31.75	24.33	31.75	9.93	9.93	9.93	19 mm	22 mm	Metric
DAJCML251-080812	3/4"-16	3/4"-16	1-1/16"-12	36.10	28.70	42.20	9.93	9.93	15.47	27 mm	22 mm	Metric
DAJCML251-0812	3/4"-16	1-1/16"-12	3/4"-16	36.10	30.20	36.10	9.93	15.47	9.93	27 mm	32 mm	Metric



DAJCML251-080804IN	3/4"-16	3/4"-16	7/16"-20	31.75	24.33	28.45	9.93	9.93	4.37	3/4"	7/8"	Imperial
DAJCML251-080806IN	3/4"-16	3/4"-16	9/16"-18	31.75	24.33	29.00	9.93	9.93	7.54	3/4"	7/8"	Imperial
DAJCML251-0808IN	3/4"-16	3/4"-16	3/4"-16	31.75	24.33	31.75	9.93	9.93	9.93	3/4"	7/8"	Imperial
DAJCML251-080812IN	3/4"-16	3/4"-16	1-1/16"-12	36.10	28.70	42.20	9.93	9.93	15.47	1-1/16"	7/8"	Imperial
DAJCML251-0812IN	3/4"-16	1-1/16"-12	3/4"-16	36.10	30.20	36.10	9.93	15.47	9.93	1-1/16"	1-1/4"	Imperial
DAJCML251-1006	7/8"-14	9/16"-18	7/8"-14	36.80	25.50	36.80	12.29	7.54	12.29	22 mm	19 mm	Metric
DAJCML251-101008	7/8"-14	7/8"-14	3/4"-16	36.83	28.45	33.80	12.29	12.29	9.93	22 mm	27 mm	Metric
DAJCML251-1010	7/8"-14	7/8"-14	7/8"-14	36.80	28.45	36.80	12.29	12.29	12.29	22 mm	27 mm	Metric
DAJCML251-101012	7/8"-14	7/8"-14	1 1/16"-12	39.30	29.30	42.20	12.29	12.29	15.47	27 mm	27 mm	Metric
DAJCML251-1006IN	7/8"-14	9/16"-18	7/8"-14	36.80	25.50	36.80	12.29	7.54	12.29	7/8"	11/16"	Imperial
DAJCML251-101008IN	7/8"-14	7/8"-14	3/4"-16	36.83	28.45	33.80	12.29	12.29	9.93	7/8"	1"	Imperial
DAJCML251-1010IN	7/8"-14	7/8"-14	7/8"-14	36.80	28.45	36.80	12.29	12.29	12.29	7/8"	1"	Imperial
DAJCML251-101012IN	7/8"-14	7/8"-14	1 1/16"-12	39.30	29.30	42.20	12.29	12.29	15.47	1-1/16"	1"	Imperial
DAJCML251-120808	1-1/16"-12	3/4"-16	3/4"-16	42.20	28.70	36.20	15.47	9.93	9.93	27 mm	22 mm	Metric
DAJCML251-1208	1-1/16"-12	3/4"-16	1-1/16"-12	42.20	28.53	42.20	15.47	9.93	15.47	27 mm	22 mm	Metric
DAJCML251-1212	1-1/16"-12	1-1/16"-12	1-1/16"-12	42.20	30.18	42.20	15.47	15.47	15.47	27 mm	32 mm	Metric
DAJCML251-120808IN	1-1/16"-12	3/4"-16	3/4"-16	42.20	28.70	36.20	15.47	9.93	9.93	1-1/16"	7/8"	Imperial
DAJCML251-1208IN	1-1/16"-12	3/4"-16	1-1/16"-12	42.20	28.53	42.20	15.47	9.93	15.47	1-1/16"	7/8"	Imperial
DAJCML251-1212IN	1-1/16"-12	1-1/16"-12	1-1/16"-12	42.20	30.18	42.20	15.47	15.47	15.47	1-1/16"	1-1/4"	Imperial
DAJCML251-1414	1-3/16"-12	1-3/16"-12	1-3/16"-12	45.70	35.70	45.70	18.26	18.26	18.26	33 mm	36 mm	Metric
DAJCML251-1414IN	1-3/16"-12	1-3/16"-12	1-3/16"-12	45.70	35.70	45.70	18.26	18.26	18.26	1-5/16"	1-3/8"	Imperial
DAJCML251-161608	1-5/16"-12	1-5/16"-12	3/4"-16	45.97	35.71	40.70	21.44	21.44	9.93	33 mm	41 mm	Metric
DAJCML251-161612	1-5/16"-12	1-5/16"-12	1-1/16"-12	45.97	35.71	44.70	21.44	21.44	15.47	33 mm	41 mm	Metric
DAJCML251-1616	1-5/16"-12	1-5/16"-12	1-5/16"-12	45.97	35.71	45.97	21.44	21.44	21.44	33 mm	41 mm	Metric
DAJCML251-161608IN	1-5/16"-12	1-5/16"-12	3/4"-16	45.97	35.71	40.70	21.44	21.44	9.93	1-5/16"	1-1/2"	Imperial
DAJCML251-161612IN	1-5/16"-12	1-5/16"-12	1-1/16"-12	45.97	35.71	44.70	21.44	21.44	15.47	1-5/16"	1-1/2"	Imperial
DAJCML251-1616IN	1-5/16"-12	1-5/16"-12	1-5/16"-12	45.97	35.71	45.97	21.44	21.44	21.44	1-5/16"	1-1/2"	Imperial
DAJCML251-2020	1-5/8"-12	1-5/8"-12	1-5/8"-12	52.30	42.80	52.30	27.38	27.42	27.38	41 mm	50 mm	Metric
DAJCML251-2020IN	1-5/8"-12	1-5/8"-12	1-5/8"-12	52.30	42.80	52.30	27.38	27.42	27.38	1-5/8"	2"	Imperial
DAJCML251-2424	1-7/8"-12	1-7/8"-12	1-7/8"-12	59.20	65.60	59.20	33.32	33.32	33.32	48 mm	55 mm	Metric
DAJCML251-2424IN	1-7/8"-12	1-7/8"-12	1-7/8"-12	59.20	65.60	59.20	33.32	33.32	33.32	1-7/8"	2-1/4"	Imperial
DAJCML251-3232	2-1/2"-12	2-1/2"-12	2-1/2"-12	77.70	61.98	77.70	45.24	45.24	45.24	65 mm	75 mm	Metric
DAJCML251-3232IN	2-1/2"-12	2-1/2"-12	2-1/2"-12	77.70	61.98	77.70	45.24	45.24	45.24	2-1/2"	2-7/8"	Imperial

DAJCML305

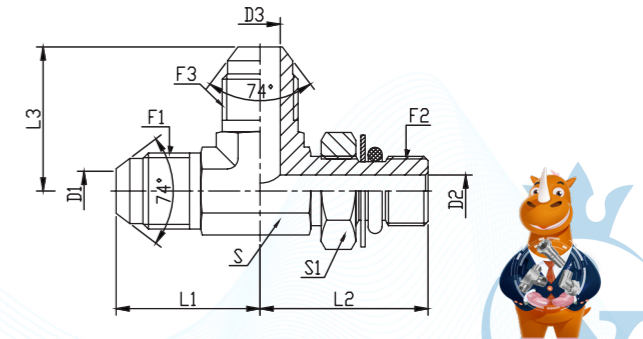
Run Adjustable Tee JIC Male – SAE Male O Ring

D	A	JC	M	L	30	5
Company	Product Range	Thread Types	Connection Type	Adaptor Structure	Thread Types	Connection Type
DME	Adaptor	JIC UNF	Male	Run Tee	SAE UNF	Male O Ring

German Technology Equipment

New-Standard

- DME&JDE Code:** DAJCML305
- Product Type:** Hydraulic adaptor
- Standard:** JIC and SAE-ORB
- Structure:** Run Tee
- Connection Type:** Adjustable Male x Male x Male
- Thread Types:** UNF x UNF x UNF
- Sealing Method:** O Ring

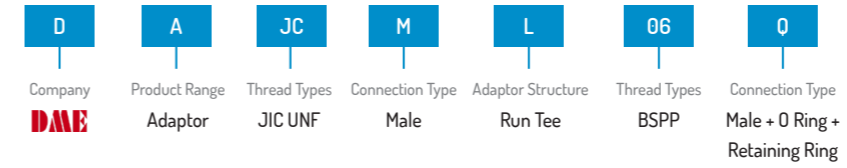


PART NUMBER	F1 (Thread)	F2 (Thread)	F3 (Thread)	L1	L2	L3	D1	D2	D3	S	S1	Hex
#	UNF	UNF	UNF	mm	mm	mm	mm	mm	mm	-	-	-
DAJCML305-0402	7/16"-20	5/16"-24	7/16"-20	22.61	23.37	22.61	4.37	1.57	4.37	11 mm	11 mm	Metric
DAJCML305-0404	7/16"-20	7/16"-20	7/16"-20	22.60	26.2	22.60	4.37	4.37	4.37	11 mm	14 mm	Metric
DAJCML305-0405	7/16"-20	1/2"-20	7/16"-20	24.10	28.7	24.10	4.37	5.94	4.37	14 mm	17 mm	Metric
DAJCML305-0406	7/16"-20	9/16"-18	7/16"-20	26.70	31.8	26.70	4.37	7.54	4.37	14 mm	19 mm	Metric
DAJCML305-0402IN	7/16"-20	5/16"-24	7/16"-20	22.61	23.37	22.61	4.37	1.57	4.37	7/16"	7/16"	Imperial
DAJCML305-0404IN	7/16"-20	7/16"-20	7/16"-20	22.60	26.2	22.60	4.37	4.37	4.37	7/16"	9/16"	Imperial
DAJCML305-0405IN	7/16"-20	1/2"-20	7/16"-20	24.10	28.7	24.10	4.37	5.94	4.37	9/16"	5/8"	Imperial
DAJCML305-0406IN	7/16"-20	9/16"-18	7/16"-20	26.70	31.8	26.70	4.37	7.54	4.37	9/16"	11/16"	Imperial
DAJCML305-0505	1/2"-20	1/2"-20	1/2"-20	24.10	28.7	24.10	5.94	5.94	5.94	14 mm	17 mm	Metric
DAJCML305-0505IN	1/2"-20	1/2"-20	1/2"-20	24.10	28.7	24.10	5.94	5.94	5.94	9/16"	5/8"	Imperial
DAJCML305-0604	9/16"-18	7/16"-20	9/16"-18	26.90	30.2	26.90	7.54	4.37	7.54	14 mm	14 mm	Metric
DAJCML305-0606	9/16"-18	9/16"-18	9/16"-18	26.90	31.8	26.90	7.54	7.54	7.54	14 mm	19 mm	Metric
DAJCML305-0608	9/16"-18	3/4"-16	9/16"-18	29.00	36.8	29.00	7.54	9.93	7.54	19 mm	22 mm	Metric
DAJCML305-0604IN	9/16"-18	7/16"-20	9/16"-18	26.90	30.2	26.90	7.54	4.37	7.54	9/16"	9/16"	Imperial
DAJCML305-0606IN	9/16"-18	9/16"-18	9/16"-18	26.90	31.8	26.90	7.54	7.54	7.54	9/16"	11/16"	Imperial
DAJCML305-0608IN	9/16"-18	3/4"-16	9/16"-18	29.00	36.8	29.00	7.54	9.93	7.54	3/4"	7/8"	Imperial
DAJCML305-0806	3/4"-16	9/16"-18	3/4"-16	31.80	33.5	31.80	9.93	7.54	9.93	19 mm	19 mm	Metric
DAJCML305-0808	3/4"-16	3/4"-16	3/4"-16	31.80	36.8	31.80	9.93	9.93	9.93	19 mm	22 mm	Metric
DAJCML305-0810	3/4"-16	7/8"-14	3/4"-16	33.80	43.2	33.80	9.93	12.29	9.93	22 mm	27 mm	Metric
DAJCML305-0812	3/4"-16	1-1/16"-12	3/4"-16	36.80	49.3	36.80	9.93	15.47	9.93	27 mm	32 mm	Metric

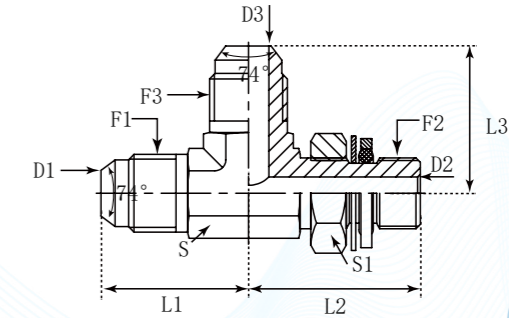
DAJCML305-0806IN	3/4"-16	9/16"-18	3/4"-16	31.80	33.5	31.80	9.93	7.54	9.93	3/4"	11/16"	Imperial
DAJCML305-0808IN	3/4"-16	3/4"-16	3/4"-16	31.80	36.8	31.80	9.93	9.93	9.93	3/4"	7/8"	Imperial
DAJCML305-0810IN	3/4"-16	7/8"-14	3/4"-16	33.80	43.2	33.80	9.93	12.29	9.93	7/8"	1"	Imperial
DAJCML305-0812IN	3/4"-16	1-1/16"-12	3/4"-16	36.80	49.3	36.80	9.93	15.47	9.93	1-1/16"	1-1/4"	Imperial
DAJCML305-1008	7/8"-14	3/4"-16	7/8"-14	36.80	39.1	36.80	12.29	9.93	12.29	22 mm	22 mm	Metric
DAJCML305-1010	7/8"-14	7/8"-14	7/8"-14	36.80	43.2	36.80	12.29	12.29	12.29	22 mm	27 mm	Metric
DAJCML305-1012	7/8"-14	1-1/16"-12	7/8"-14	39.10	49.3	39.10	12.29	15.47	12.29	27 mm	32 mm	Metric
DAJCML305-1008IN	7/8"-14	3/4"-16	7/8"-14	36.80	39.1	36.80	12.29	9.93	12.29	7/8"	7/8"	Imperial
DAJCML305-1010IN	7/8"-14	7/8"-14	7/8"-14	36.80	43.2	36.80	12.29	12.29	12.29	7/8"	1"	Imperial
DAJCML305-1012IN	7/8"-14	1-1/16"-12	7/8"-14	39.10	49.3	39.10	12.29	15.47	12.29	1-1/16"	1-1/4"	Imperial
DAJCML305-1208	1-1/16"-12	3/4"-16	1-1/16"-12	42.20	41.2	42.20	15.47	9.93	15.47	27 mm	22 mm	Metric
DAJCML305-1210	1-1/16"-12	7/8"-14	1-1/16"-12	42.20	45.2	42.20	15.47	12.29	15.47	27 mm	27 mm	Metric
DAJCML305-1212	1-1/16"-12	1-1/16"-12	1-1/16"-12	42.20	49.3	42.20	15.47	15.47	15.47	27 mm	32 mm	Metric
DAJCML305-1216	1-1/16"-12	1-5/16"-12	1-1/16"-12	44.70	52.1	44.70	15.47	21.44	15.47	33 mm	41 mm	Metric
DAJCML305-1208IN	1-1/16"-12	3/4"-16	1-1/16"-12	42.20	41.2	42.20	15.47	9.93	15.47	1-1/16"	7/8"	Imperial
DAJCML305-1210IN	1-1/16"-12	7/8"-14	1-1/16"-12	42.20	45.2	42.20	15.47	12.29	15.47	1-1/16"	1"	Imperial
DAJCML305-1212IN	1-1/16"-12	1-1/16"-12	1-1/16"-12	42.20	49.3	42.20	15.47	15.47	15.47	1-1/16"	1-1/4"	Imperial
DAJCML305-1216IN	1-1/16"-12	1-5/16"-12	1-1/16"-12	44.70	52.1	44.70	15.47	21.44	15.47	1-5/16"	1-1/2"	Imperial
DAJCML305-1414	1-3/16"-12	1-3/16"-12	1-3/16"-12	45.70	50.8	45.70	18.26	18.26	18.26	33 mm	36 mm	Metric
DAJCML305-1414IN	1-3/16"-12	1-3/16"-12	1-3/16"-12	45.70	50.8	45.70	18.26	18.26	18.26	1-5/16"	1-3/8"	Imperial
DAJCML305-1612	1-5/16"-12	1-1/16"-12	1-5/16"-12	46.00	52.1	46.00	21.44	15.47	21.44	33 mm	32 mm	Metric
DAJCML305-1616	1-5/16"-12	1-5/16"-12	1-5/16"-12	46.00	52.1	46.00	21.44	21.5	21.44	33 mm	41 mm	Metric
DAJCML305-1620	1-5/16"-12	1-5/8"-12	1-5/16"-12	51.10	57.2	51.10	21.44	27.38	21.44	41 mm	50 mm	Metric
DAJCML305-1612IN	1-5/16"-12	1-1/16"-12	1-5/16"-12	46.00	52.1	46.00	21.44	15.47	21.44	1-5/16"	1-1/4"	Imperial
DAJCML305-1616IN	1-5/16"-12	1-5/16"-12	1-5/16"-12	46.00	52.1	46.00	21.44	21.5	21.44	1-5/16"	1-1/2"	Imperial
DAJCML305-1620IN	1-5/16"-12	1-5/8"-12	1-5/16"-12	51.10	57.2	51.10	21.44	27.38	21.44	1-5/8"	1-7/8"	Imperial
DAJCML305-2016	1-5/8"-12	1-5/16"-12	1-5/8"-12	52.30	57.2	52.30	27.38	21.44	27.38	41 mm	41 mm	Metric
DAJCML305-2020	1-5/8"-12	1-5/8"-12	1-5/8"-12	52.30	57.2	52.30	27.38	27.38	27.38	41 mm	50 mm	Metric
DAJCML305-2016IN	1-5/8"-12	1-5/16"-12	1-5/8"-12	52.30	57.2	52.30	27.38	21.44	27.38	1-5/8"	1-1/2"	Imperial
DAJCML305-2020IN	1-5/8"-12	1-5/8"-12	1-5/8"-12	52.30	57.2	52.30	27.38	27.38	27.38	1-5/8"	1-7/8"	Imperial
DAJCML305-2424	1-7/8"-12	1-7/8"-12	1-7/8"-12	59.20	60.7	59.20	33.32	33.32	33.32	48 mm	55 mm	Metric
DAJCML305-2424IN	1-7/8"-12	1-7/8"-12	1-7/8"-12	59.20	60.7	59.20	33.32	33.32	33.32	1-7/8"	2-1/8"	Imperial
DAJCML305-3232	2-1/2"-12	2-1/2"-12	2-1/2"-12	77.70	73.4	77.70	45.24	45.24	45.24	65 mm	70 mm	Metric
DAJCML305-3232IN	2-1/2"-12	2-1/2"-12	2-1/2"-12	77.70	73.4	77.70	45.24	45.24	45.24	2-1/2"	2-3/4"	Imperial

DAJCML06Q

Run Adjustable Tee JIC Male – BSPP Male + O Ring + Retaining Ring



- DME&JDE Code:** DAJCML06Q
- Product Type:** Hydraulic adaptor
- Standard:** JIC and SAE-ORB
- Structure:** Run Tee
- Connection Type:** Adjustable Male x Male x Male
- Thread Types:** UNF x BSPP x UNF
- Sealing Method:** O Ring + Retaining Ring



PART NUMBER	F1 (Thread)	F2 (Thread)	F3 (Thread)	D1	D2	D3	L1	L2	L3	S	S1
#	UNF	BSPP	UNF	mm	mm	mm	mm	mm	mm	mm	mm
DAJCML06Q-0402	7/16"-20	1/8"-28	7/16"-20	4.37	4.40	4.37	22.50	26.00	22.50	11	14
DAJCML06Q-0404	7/16"-20	1/4"-19	7/16"-20	4.37	7.50	4.37	27.00	31.50	27.00	14	19
DAJCML06Q-0406	7/16"-20	3/8"-19	7/16"-20	4.37	9.90	4.37	28.50	36.50	28.50	19	22
DAJCML06Q-0408	7/16"-20	1/2"-14	7/16"-20	4.37	12.30	4.37	31.00	43.00	31.00	22	27
DAJCML06Q-0502	1/2"-20	1/8"-28	1/2"-20	5.94	4.40	5.94	24.00	28.00	24.00	14	14
DAJCML06Q-0504	1/2"-20	1/4"-19	1/2"-20	5.94	7.50	5.94	27.00	31.00	27.00	14	19
DAJCML06Q-0506	1/2"-20	3/8"-19	1/2"-20	5.94	9.90	5.94	28.50	36.50	28.50	19	22
DAJCML06Q-0604	9/16"-18	1/4"-19	9/16"-18	7.54	7.50	7.54	27.00	31.50	27.00	14	19
DAJCML06Q-0606	9/16"-18	3/8"-19	9/16"-18	7.54	9.90	7.54	28.50	36.50	28.50	19	22
DAJCML06Q-0608	9/16"-18	1/2"-14	9/16"-18	7.54	12.30	7.54	31.00	43.00	31.00	22	27
DAJCML06Q-0804	3/4"-16	1/4"-19	3/4"-16	9.93	7.50	9.93	31.50	33.50	31.50	19	19
DAJCML06Q-0806	3/4"-16	3/8"-19	3/4"-16	9.93	9.90	9.93	31.50	36.50	31.50	19	22
DAJCML06Q-0808	3/4"-16	1/2"-14	3/4"-16	9.93	12.30	9.93	34.00	43.00	34.00	22	27
DAJCML06Q-0812	3/4"-16	3/4"-14	3/4"-16	9.93	15.50	9.93	37.00	49.00	37.00	27	36
DAJCML06Q-1006	7/8"-14	3/8"-19	7/8"-14	12.29	9.90	12.29	36.50	39.50	36.50	22	22
DAJCML06Q-1008	7/8"-14	1/2"-14	7/8"-14	12.29	12.30	12.29	36.50	43.00	36.50	22	27
DAJCML06Q-1012	7/8"-14	3/4"-14	7/8"-14	12.29	15.50	12.29	39.50	49.00	39.50	27	36
DAJCML06Q-1208	1-1/16"-12	1/2"-14	1-1/16"-12	15.47	12.30	15.47	42.00	45.50	42.00	27	27
DAJCML06Q-1212	1-1/16"-12	3/4"-14	1-1/16"-12	15.47	15.50	15.47	42.00	49.00	42.00	27	36
DAJCML06Q-1216	1-1/16"-12	1"-11	1-1/16"-12	15.47	21.50	15.47	44.70	52.00	44.70	33	41
DAJCML06Q-1612	1-5/16"-12	3/4"-14	1-5/16"-12	21.44	15.50	21.44	46.00	52.00	46.00	33	36
DAJCML06Q-1616	1-5/16"-12	1"-11	1-5/16"-12	21.44	21.50	21.44	46.00	52.00	46.00	33	41
DAJCML06Q-1620	1-5/16"-12	1-1/4"-11	1-5/16"-12	21.44	27.50	21.44	51.00	57.00	51.00	41	50
DAJCML06Q-2016	1-5/8"-12	1"-11	1-5/8"-12	27.38	21.50	27.38	52.00	57.00	52.00	41	41
DAJCML06Q-2020	1-5/8"-12	1-1/4"-11	1-5/8"-12	27.38	27.50	27.38	52.00	58.00	52.00	41	50
DAJCML06Q-2420	1-7/8"-12	1-1/4"-11	1-7/8"-12	33.32	27.50	33.32	59.00	61.00	59.00	48	50
DAJCML06Q-2424	1-7/8"-12	1-1/2"-11	1-7/8"-12	33.32	33.00	33.32	59.00	61.00	59.00	48	55

DAJCML065

Run Adjustable Tee JIC Male – BSPP Male + O Ring

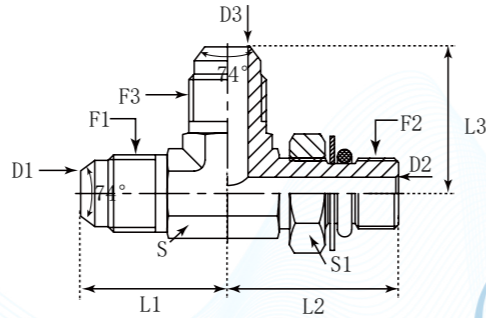
D	A	JC	M	L	06	5
Company	Product Range	Thread Types	Connection Type	Adaptor Structure	Thread Types	Connection Type
DME	Adaptor	JIC UNF	Male	Run Tee	BSPP	Male + O Ring

German Technology Equipment

SHIELD FLEX

New-Standard

- DME&JDE Code: **DAJCML065**
- Product Type: **Hydraulic adaptor**
- Standard: **JIC and SAE-ORB**
- Structure: **Run Tee**
- Connection Type: **Adjustable Male x Female x Male**
- Thread Types: **UNF x BSPP x UNF**
- Sealing Method: **O Ring**



PART NUMBER	F1 (Thread)	F2 (Thread)	F3 (Thread)	D1	D2	D3	L1	L2	L3	S	S1
#	UNF	BSPP	UNF	mm	mm	mm	mm	mm	mm	mm	mm
DAJCML065-0402	7/16"-20	1/8"-28	7/16"-20	4.37	4.40	4.37	22.50	26.00	22.50	11	14
DAJCML065-0404	7/16"-20	1/4"-19	7/16"-20	4.37	7.50	4.37	27.00	31.50	27.00	14	19
DAJCML065-0406	7/16"-20	3/8"-19	7/16"-20	4.37	9.90	4.37	28.50	36.50	28.50	19	22
DAJCML065-0502	1/2"-20	1/8"-28	1/2"-20	5.94	4.40	5.94	24.00	28.00	24.00	14	14
DAJCML065-0504	1/2"-20	1/4"-19	1/2"-20	5.94	7.50	5.94	27.00	31.00	27.00	14	19
DAJCML065-0506	1/2"-20	3/8"-19	1/2"-20	5.94	9.90	5.94	28.50	36.50	28.50	19	22
DAJCML065-0604	9/16"-18	1/4"-19	9/16"-18	7.54	7.50	7.54	27.00	31.50	27.00	14	19
DAJCML065-0606	9/16"-18	3/8"-19	9/16"-18	7.54	9.90	7.54	28.50	36.50	28.50	19	22
DAJCML065-0608	9/16"-18	1/2"-14	9/16"-18	7.54	12.30	7.54	31.00	43.00	31.00	22	27
DAJCML065-0804	3/4"-16	1/4"-19	3/4"-16	9.93	7.50	9.93	31.50	33.50	31.50	19	19
DAJCML065-0806	3/4"-16	3/8"-19	3/4"-16	9.93	9.90	9.93	31.50	36.50	31.50	19	22
DAJCML065-0808	3/4"-16	1/2"-14	3/4"-16	9.93	12.30	9.93	34.00	43.00	34.00	22	27
DAJCML065-0812	3/4"-16	3/4"-14	3/4"-16	9.93	15.50	9.93	37.00	49.00	37.00	27	36
DAJCML065-1006	7/8"-14	3/8"-19	7/8"-14	12.29	9.90	12.29	36.50	39.50	36.50	22	22
DAJCML065-1008	7/8"-14	1/2"-14	7/8"-14	12.29	12.30	12.29	36.50	43.00	36.50	22	27
DAJCML065-1012	7/8"-14	3/4"-14	7/8"-14	12.29	15.50	12.29	39.50	49.00	39.50	27	36
DAJCML065-1208	1-1/16"-12	1/2"-14	1-1/16"-12	15.47	12.30	15.47	42.00	45.50	42.00	27	27
DAJCML065-1212	1-1/16"-12	3/4"-14	1-1/16"-12	15.47	15.50	15.47	42.00	49.00	42.00	27	36
DAJCML065-1216	1-1/16"-12	1"-11	1-1/16"-12	15.47	21.50	15.47	44.70	52.00	44.70	33	41
DAJCML065-1612	1-5/16"-12	3/4"-14	1-5/16"-12	21.44	15.50	21.44	46.00	52.00	46.00	33	36
DAJCML065-1616	1-5/16"-12	1"-11	1-5/16"-12	21.44	21.50	21.44	46.00	52.00	46.00	33	41
DAJCML065-1620	1-5/16"-12	1-1/4"-11	1-5/16"-12	21.44	27.50	21.44	51.00	57.00	51.00	41	50
DAJCML065-2016	1-5/8"-12	1"-11	1-5/8"-12	27.38	21.50	27.38	52.00	57.00	52.00	41	41
DAJCML065-2020	1-5/8"-12	1-1/4"-11	1-5/8"-12	27.38	27.50	27.38	52.00	58.00	52.00	41	50
DAJCML065-2420	1-7/8"-12	1-1/4"-11	1-7/8"-12	33.32	27.50	33.32	59.00	61.00	59.00	48	50
DAJCML065-2424	1-7/8"-12	1-1/2"-11	1-7/8"-12	33.32	33.00	33.32	59.00	61.00	59.00	48	55



DAJCML52Q

Run Adjustable Tee JIC Male – Metric Male + O Ring + Retaining Ring

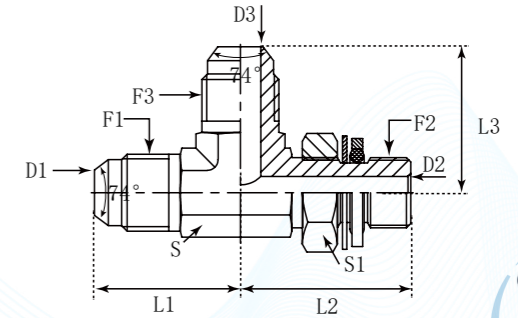
D	A	JC	M	L	52	0
Company	Product Range	Thread Types	Connection Type	Adaptor Structure	Thread Types	Connection Type
DME	Adaptor	JIC UNF	Male	Run Tee	Metric	Male + O Ring + Retaining Ring

German Technology Equipment

SHIELD FLEX

New-Standard

- DME&JDE Code: **DAJCML52Q**
- Product Type: **Hydraulic adaptor**
- Standard: **JIC and SAE-ORB**
- Structure: **Run Tee**
- Connection Type: **Adjustable Male x Female x Male**
- Thread Types: **UNF x Metric x UNF**
- Sealing Method: **O Ring + Retaining Ring**



PART NUMBER	F1 (Thread)	F2 (Thread)	F3 (Thread)	D1	D2	D3	L1	L2	L3	S	S1
#	UNF	Metric	UNF	mm	mm	mm	mm	mm	mm	mm	mm
DAJCML52Q-0410	7/16"-20	M10X1	7/16"-20	4.37	3.00	4.37	22.50	27.50	22.50	11	14
DAJCML52Q-0412	7/16"-20	M12X1.5	7/16"-20	4.37	4.00	4.37	27.00	31.50	27.00	14	17
DAJCML52Q-0414	7/16"-20	M14X1.5	7/16"-20	4.37	6.00	4.37	27.00	32.50	27.00	14	19
DAJCML52Q-0510	1/2"-20	M10X1	1/2"-20	5.94	4.00	5.94	27.00	28.50	27.00	14	14
DAJCML52Q-0512	1/2"-20	M12X1.5	1/2"-20	5.94	4.00	5.94	27.00	31.50	27.00	14	17
DAJCML52Q-0514	1/2"-20	M14X1.5	1/2"-20	5.94	6.00	5.94	27.00	32.50	27.00	14	19
DAJCML52Q-0612	9/16"-18	M12X1.5	9/16"-18	7.54	4.00	7.54	27.00	31.50	27.00	14	17
DAJCML52Q-0614	9/16"-18	M14X1.5	9/16"-18	7.54	6.00	7.54	27.00	32.50	27.00	14	19
DAJCML52Q-0616	9/16"-18	M16X1.5	9/16"-18	7.54	7.00	7.54	28.50	36.50	28.50	19	22
DAJCML52Q-0618	9/16"-18	M18X1.5	9/16"-18	7.54	9.00	7.54	29.00	39.50	29.00	19	24
DAJCML52Q-0816	3/4"-16	M16X1.5	3/4"-16	9.93	7.00	9.93	31.50	36.50	31.50	19	22
DAJCML52Q-0818	3/4"-16	M18X1.5	3/4"-16	9.93	9.00	9.93	31.50	39.50	31.50	19	24
DAJCML52Q-0822	3/4"-16	M22X1.5	3/4"-16	9.93	12.00	9.93	33.80	43.00	33.80	22	27
DAJCML52Q-1018	7/8"-14	M18X1.5	7/8"-14	12.29	9.00	12.29	36.80	41.50	36.80	22	24
DAJCML52Q-1022	7/8"-14	M22X1.5	7/8"-14	12.29	12.00	12.29	36.50	43.00	36.50	22	27
DAJCML52Q-1026	7/8"-14	M26X1.5	7/8"-14	12.29	15.00	12.29	40.00	52.00	40.00	27	32
DAJCML52Q-1222	1-1/16"-12	M22X1.5	1-1/16"-12	15.47	14.00	15.47	42.00	45.50	42.00	27	27
DAJCML52Q-1226	1-1/16"-12	M26X1.5	1-1/16"-12	15.47	15.00	15.47	42.00	51.50	42.00	27	32
DAJCML52Q-1227	1-1/16"-12	M27X2	1-1/16"-12	15.47	15.00	15.47	42.00	50.00	42.00	27	32
DAJCML52Q-1627	1-5/16"-12	M27X2	1-5/16"-12	21.44	15.00	21.44	46.00	55.00	46.00	33	32
DAJCML52Q-1633	1-5/16"-12	M33X2	1-5/16"-12	21.44	21.50	21.44	46.00	55.00	46.00	33	41
DAJCML52Q-2042	1-5/8"-12	M42X2	1-5/8"-12	27.38	26.00	27.38	52.00	60.00	52.00	41	50
DAJCML52Q-2448	1-7/8"-12	M48X2	1-7/8"-12	33.32	32.00	33.32	59.00	67.00	59.00	48	55



DAJCML525

Run Adjustable Tee JIC Male – Metric Male + O Ring

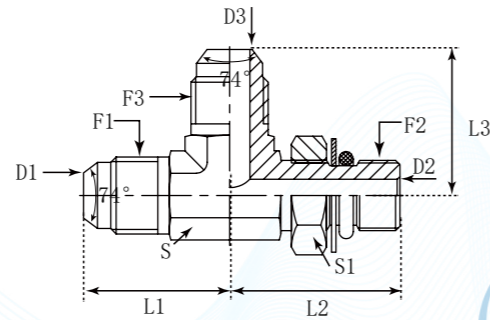
D	A	JC	M	L	52	5
Company	Product Range	Thread Types	Connection Type	Adaptor Structure	Thread Types	Connection Type
DME	Adaptor	JIC UNF	Male	Run Tee	Metric	Male + O Ring

German Technology Equipment

SHIELD FLEX

New-Standard

- DME&JDE Code: **DAJCML525**
- Product Type: **Hydraulic adaptor**
- Standard: **JIC and SAE-ORB**
- Structure: **Run Tee**
- Connection Type: **Adjustable Male x Male x Male**
- Thread Types: **UNF x Metric x UNF**
- Sealing Method: **O Ring**



PART NUMBER	F1 (Thread)	F2 (Thread)	F3 (Thread)	D1	D2	D3	L1	L2	L3	S	S1
#	UNF	Metric	UNF	mm	mm	mm	mm	mm	mm	mm	mm
DAJCML525-0410	7/16"-20	M10X1	7/16"-20	4.37	3.00	4.37	22.50	27.50	22.50	11	14
DAJCML525-0412	7/16"-20	M12X1.5	7/16"-20	4.37	4.00	4.37	27.00	31.50	27.00	14	17
DAJCML525-0414	7/16"-20	M14X1.5	7/16"-20	4.37	6.00	4.37	27.00	32.50	27.00	14	19
DAJCML525-0510	1/2"-20	M10X1	1/2"-20	5.94	4.00	5.94	27.00	28.50	27.00	14	14
DAJCML525-0512	1/2"-20	M12X1.5	1/2"-20	5.94	4.00	5.94	27.00	31.50	27.00	14	17
DAJCML525-0514	1/2"-20	M14X1.5	1/2"-20	5.94	6.00	5.94	27.00	32.50	27.00	14	19
DAJCML525-0612	9/16"-18	M12X1.5	9/16"-18	7.54	4.00	7.54	27.00	31.50	27.00	14	17
DAJCML525-0614	9/16"-18	M14X1.5	9/16"-18	7.54	6.00	7.54	27.00	32.50	27.00	14	19
DAJCML525-0616	9/16"-18	M16X1.5	9/16"-18	7.54	7.00	7.54	28.50	36.50	28.50	19	22
DAJCML525-0618	9/16"-18	M18X1.5	9/16"-18	7.54	9.00	7.54	29.00	39.50	29.00	19	24
DAJCML525-0816	3/4"-16	M16X1.5	3/4"-16	9.93	7.00	9.93	31.50	36.50	31.50	19	22
DAJCML525-0818	3/4"-16	M18X1.5	3/4"-16	9.93	9.00	9.93	31.50	39.50	31.50	19	24
DAJCML525-0822	3/4"-16	M22X1.5	3/4"-16	9.93	12.00	9.93	33.80	43.00	33.80	22	27
DAJCML525-1018	7/8"-14	M18X1.5	7/8"-14	12.29	9.00	12.29	36.80	41.50	36.80	22	24
DAJCML525-1022	7/8"-14	M22X1.5	7/8"-14	12.29	12.00	12.29	36.50	43.00	36.50	22	27
DAJCML525-1026	7/8"-14	M26X1.5	7/8"-14	12.29	15.00	12.29	40.00	52.00	40.00	27	32
DAJCML525-1222	1-1/16"-12	M22X1.5	1-1/16"-12	15.47	14.00	15.47	42.00	45.50	42.00	27	27
DAJCML525-1226	1-1/16"-12	M26X1.5	1-1/16"-12	15.47	15.00	15.47	42.00	51.50	42.00	27	32
DAJCML525-1227	1-1/16"-12	M27X2	1-1/16"-12	15.47	15.00	15.47	42.00	50.00	42.00	27	32
DAJCML525-1627	1-5/16"-12	M27X2	1-5/16"-12	21.44	15.00	21.44	46.00	55.00	46.00	33	32
DAJCML525-1633	1-5/16"-12	M33X2	1-5/16"-12	21.44	21.50	21.44	46.00	55.00	46.00	33	41
DAJCML525-2042	1-5/8"-12	M42X2	1-5/8"-12	27.38	26.00	27.38	52.00	60.00	52.00	41	50
DAJCML525-2448	1-7/8"-12	M48X2	1-7/8"-12	33.32	32.00	33.32	59.00	67.00	59.00	48	55

DAJCML28M

Run Tee Connector JIC Male – NPTF Male

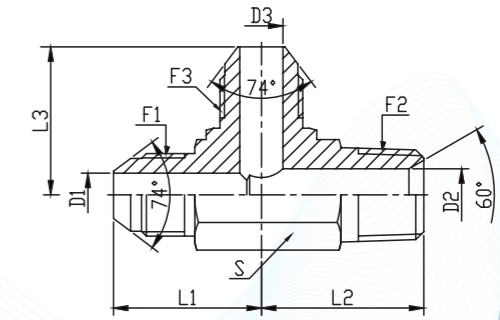
D	A	JC	M	L	28	M
Company	Product Range	Thread Types	Connection Type	Adaptor Structure	Thread Types	Connection Type
DME	Adaptor	JIC UNF	Male	Run Tee	NPTF	Male

German Technology Equipment

SHIELD FLEX

New-Standard

- DME&JDE Code: **DAJCML28M**
- Product Type: **Hydraulic adaptor**
- Standard: **JIC and SAE-ORB**
- Structure: **Run Tee**
- Connection Type: **Adjustable Male x Male x Male**
- Thread Types: **UNF x UNF x NPTF**

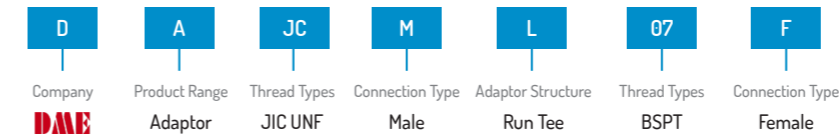


PART NUMBER	F1 (Thread)	F3 (Thread)	F2 (Thread)	D1	D3	D2	L1	L3	L2	S	Hex
#	UNF	UNF	NPTF	mm	mm	mm	mm	mm	mm	-	-
DAJCML28M-0202	5/16"-24	1/8"-27	5/16"-24	1.57	4.78	1.57	19.6	18.3	19.6	11 mm	Metric
DAJCML28M-0202IN	5/16"-24	1/8"-27	5/16"-24	1.57	4.78	1.57	19.6	18.3	19.6	7/16"	Imperial
DAJCML28M-0302	3/8"-24	1/8"-27	3/8"-24	3.18	4.78	3.18	21.10	18.30	21.10	11 mm	Metric
DAJCML28M-0302IN	3/8"-24	1/8"-27	3/8"-24	3.18	4.78	3.18	21.10	18.30	21.10	7/16"	Imperial
DAJCML28M-0402	7/16"-20	1/8"-27	7/16"-20	4.37	4.78	4.37	22.60	19.80	22.60	11 mm	Metric
DAJCML28M-0404	7/16"-20	1/4"-18	7/16"-20	4.37	7.14	4.37	26.70	27.70	26.70	14 mm	Metric
DAJCML28M-0406	7/16"-20	3/8"-18	7/16"-20	4.37	10.31	4.37	28.50	31.00	28.50	19 mm	Metric
DAJCML28M-0402IN	7/16"-20	1/8"-27	7/16"-20	4.37	4.78	4.37	22.60	19.80	22.60	7/16"	Imperial
DAJCML28M-0404IN	7/16"-20	1/4"-18	7/16"-20	4.37	7.14	4.37	26.70	27.70	26.70	9/16"	Imperial
DAJCML28M-0406IN	7/16"-20	3/8"-18	7/16"-20	4.37	10.31	4.37	28.50	31.00	28.50	3/4"	Imperial
DAJCML28M-0502	1/2"-20	1/8"-27	1/2"-20	5.94	4.78	5.94	24.10	19.80	24.10	14 mm	Metric
DAJCML28M-0504	1/2"-20	1/4"-18	1/2"-20	5.94	7.14	5.94	26.70	27.70	26.70	14 mm	Metric
DAJCML28M-0502IN	1/2"-20	1/8"-27	1/2"-20	5.94	4.78	5.94	24.10	19.80	24.10	9/16"	Imperial
DAJCML28M-0504IN	1/2"-20	1/4"-18	1/2"-20	5.94	7.14	5.94	26.70	27.70	26.70	9/16"	Imperial
DAJCML28M-0602	9/16"-18	1/8"-27	9/16"-18	7.54	4.78	7.54	26.90	22.90	26.90	14 mm	Metric
DAJCML28M-0604	9/16"-18	1/4"-18	9/16"-18	7.54	7.14	7.54	26.90	27.70	26.90	14 mm	Metric
DAJCML28M-0606	9/16"-18	3/8"-18	9/16"-18	7.54	10.31	7.54	29.00	31.00	29.00	19 mm	Metric
DAJCML28M-0608	9/16"-18	1/2"-14	9/16"-18	7.54	13.49	7.54	29.50	37.30	29.50	22 mm	Metric
DAJCML28M-0602IN	9/16"-18	1/8"-27	9/16"-18	7.54	4.78	7.54	26.90	22.90	26.90	9/16"	Imperial

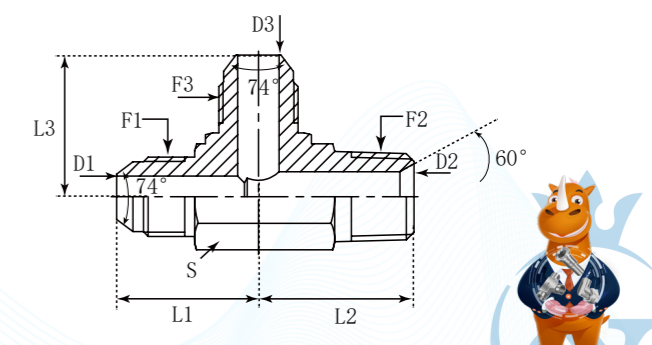
DAJCML28M-0604IN	9/16"-18	1/4"-18	9/16"-18	7.54	7.14	7.54	26.90	27.70	26.90	9/16"	Imperial
DAJCML28M-0606IN	9/16"-18	3/8"-18	9/16"-18	7.54	10.31	7.54	29.00	31.00	29.00	3/4"	Imperial
DAJCML28M-0608IN	9/16"-18	1/2"-14	9/16"-18	7.54	13.49	7.54	29.50	37.30	29.50	7/8"	Imperial
DAJCML28M-0804	3/4"-16	1/4"-18	3/4"-16	9.93	7.14	9.93	31.80	31.00	31.80	19 mm	Metric
DAJCML28M-0806	3/4"-16	3/8"-18	3/4"-16	9.93	10.31	9.93	31.80	31.00	31.80	19 mm	Metric
DAJCML28M-0808	3/4"-16	1/2"-14	3/4"-16	9.93	13.49	9.93	33.80	37.30	33.80	22 mm	Metric
DAJCML28M-0812	3/4"-16	3/4"-14	3/4"-16	9.93	18.26	9.93	36.10	40.40	36.10	27 mm	Metric
DAJCML28M-0804IN	3/4"-16	1/4"-18	3/4"-16	9.93	7.14	9.93	31.80	31.00	31.80	3/4"	Imperial
DAJCML28M-0806IN	3/4"-16	3/8"-18	3/4"-16	9.93	10.31	9.93	31.80	31.00	31.80	3/4"	Imperial
DAJCML28M-0808IN	3/4"-16	1/2"-14	3/4"-16	9.93	13.49	9.93	33.80	37.30	33.80	7/8"	Imperial
DAJCML28M-0812IN	3/4"-16	3/4"-14	3/4"-16	9.93	18.26	9.93	36.10	40.40	36.10	1-1/16"	Imperial
DAJCML28M-1006	7/8"-14	3/8"-18	7/8"-14	12.29	10.31	12.29	36.80	32.50	36.80	22 mm	Metric
DAJCML28M-1008	7/8"-14	1/2"-14	7/8"-14	12.29	13.49	12.29	36.80	37.30	36.80	22 mm	Metric
DAJCML28M-1012	7/8"-14	3/4"-14	7/8"-14	12.29	18.26	12.29	39.10	40.40	39.10	27 mm	Metric
DAJCML28M-1006IN	7/8"-14	3/8"-18	7/8"-14	12.29	10.31	12.29	36.80	32.50	36.80	7/8"	Imperial
DAJCML28M-1008IN	7/8"-14	1/2"-14	7/8"-14	12.29	13.49	12.29	36.80	37.30	36.80	7/8"	Imperial
DAJCML28M-1012IN	7/8"-14	3/4"-14	7/8"-14	12.29	18.26	12.29	39.10	40.40	39.10	1-1/16"	Imperial
DAJCML28M-1208	1-1/16"-12	1/2"-14	1-1/16"-12	15.47	13.49	15.47	42.20	40.40	42.20	27 mm	Metric
DAJCML28M-1212	1-1/16"-12	3/4"-14	1-1/16"-12	15.47	18.26	15.47	42.20	40.40	42.20	27 mm	Metric
DAJCML28M-1208IN	1-1/16"-12	1/2"-14	1-1/16"-12	15.47	13.49	15.47	42.20	40.40	42.20	1-1/16"	Imperial
DAJCML28M-1212IN	1-1/16"-12	3/4"-14	1-1/16"-12	15.47	18.26	15.47	42.20	40.40	42.20	1-1/16"	Imperial
DAJCML28M-1412	1-3/16"-12	3/4"-14	1-3/16"-12	18.26	18.26	18.26	45.70	42.90	45.70	33 mm	Metric
DAJCML28M-1412IN	1-3/16"-12	3/4"-14	1-3/16"-12	18.26	18.26	18.26	45.70	42.90	45.70	1-5/16"	Imperial
DAJCML28M-1612	1-5/16"-12	3/4"-14	1-5/16"-12	21.44	18.26	21.44	46.00	45.20	46.00	33 mm	Metric
DAJCML28M-1616	1-5/16"-12	1"-11-1/2	1-5/16"-12	21.44	23.83	21.44	46.00	50.00	46.00	33 mm	Metric
DAJCML28M-1612IN	1-5/16"-12	3/4"-14	1-5/16"-12	21.44	18.26	21.44	46.00	45.20	46.00	1-5/16"	Imperial
DAJCML28M-1616IN	1-5/16"-12	1"-11-1/2	1-5/16"-12	21.44	23.83	21.44	46.00	50.00	46.00	1-5/16"	Imperial
DAJCML28M-2016	1-5/8"-12	1"-11-1/2	1-5/8"-12	27.38	23.83	27.38	52.30	59.70	52.30	41 mm	Metric
DAJCML28M-2020	1-5/8"-12	1-1/4"-11-1/2	1-5/8"-12	27.38	31.75	27.38	52.30	60.50	52.30	41 mm	Metric
DAJCML28M-2016IN	1-5/8"-12	1"-11-1/2	1-5/8"-12	27.38	23.83	27.38	52.30	59.70	52.30	1-5/8"	Imperial
DAJCML28M-2020IN	1-5/8"-12	1-1/4"-11-1/2	1-5/8"-12	27.38	31.75	27.38	52.30	60.50	52.30	1-5/8"	Imperial
DAJCML28M-2424	1-7/8"-12	1-1/2"-11-1/2	1-7/8"-12	33.32	38.10	33.32	59.20	67.10	59.20	48 mm	Metric
DAJCML28M-2424IN	1-7/8"-12	1-1/2"-11-1/2	1-7/8"-12	33.32	38.10	33.32	59.20	67.10	59.20	1-7/8"	Imperial
DAJCML28M-3232	2-1/2"-12	2"-11-1/2	2-1/2"-12	45.24	49.23	45.24	77.70	76.20	77.70	65 mm	Metric
DAJCML28M-3232IN	2-1/2"-12	2"-11-1/2	2-1/2"-12	45.24	49.23	45.24	77.70	76.20	77.70	2-1/2"	Imperial

DAJCML07M

Run Tee Connector JIC Male – BSPT Male



- DME&JDE Code:** DAJCML07M
- Product Type:** Hydraulic adaptor
- Standard:** JIC and SAE-ORB
- Structure:** Run Tee
- Connection Type:** Male x Male x Male
- Thread Types:** UNF x BSPT x UNF

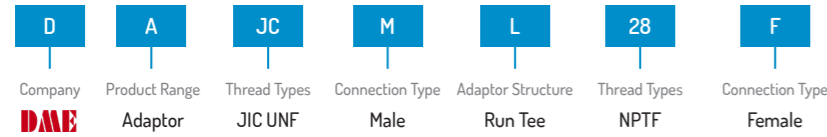


PART NUMBER	F1 (Thread)	F3 (Thread)	F2 (Thread)	D1	D2	D3	L1	L2	L3	S
#	UNF	UNF	BSPT	mm	mm	mm	mm	mm	mm	mm
DAJCML07M-0402	7/16"-20	1/8"-28	7/16"-20	4.37	4.50	4.37	22.60	19.80	22.60	11
DAJCML07M-0404	7/16"-20	1/4"-19	7/16"-20	4.37	6.00	4.37	26.70	27.70	26.70	14
DAJCML07M-0406	7/16"-20	3/8"-19	7/16"-20	4.37	9.00	4.37	28.50	31.00	28.50	19
DAJCML07M-0502	1/2"-20	1/8"-28	1/2"-20	5.94	4.50	5.94	24.13	19.81	24.13	14
DAJCML07M-0504	1/2"-20	1/4"-19	1/2"-20	5.94	6.00	5.94	26.70	27.70	26.70	14
DAJCML07M-0602	9/16"-18	1/8"-28	9/16"-18	7.54	4.50	7.54	26.90	22.90	26.90	14
DAJCML07M-0604	9/16"-18	1/4"-19	9/16"-18	7.54	6.00	7.54	26.90	27.70	26.90	14
DAJCML07M-0606	9/16"-18	3/8"-19	9/16"-18	7.54	9.00	7.54	29.00	31.00	29.00	19
DAJCML07M-0608	9/16"-18	1/2"-14	9/16"-18	7.54	12.00	7.54	31.00	37.50	31.00	22
DAJCML07M-0806	3/4"-16	3/8"-19	3/4"-16	9.93	9.00	9.93	31.80	31.00	31.80	19
DAJCML07M-0808	3/4"-16	1/2"-14	3/4"-16	9.93	12.00	9.93	33.80	37.30	33.80	22
DAJCML07M-0812	3/4"-16	3/4"-14	3/4"-16	9.93	16.70	9.93	36.10	40.40	36.10	27
DAJCML07M-1006	7/8"-14	3/8"-19	7/8"-14	12.29	12.00	12.29	36.80	32.50	36.80	22
DAJCML07M-1008	7/8"-14	1/2"-14	7/8"-14	12.29	12.00	12.29	36.80	37.30	36.80	22
DAJCML07M-1010	7/8"-14	5/8"-14	7/8"-14	12.29	14.00	12.29	39.00	39.00	39.00	27
DAJCML07M-1012	7/8"-14	3/4"-14	7/8"-14	12.29	16.70	12.29	39.12	40.39	39.12	27
DAJCML07M-1016	7/8"-14	1"-11	7/8"-14	12.29	22.20	12.29	41.70	50.00	41.70	33
DAJCML07M-1206	1-1/16"-12	3/8"-19	1-1/16"-12	15.47	9.00	15.47	42.20	36.00	42.20	27
DAJCML07M-1208	1-1/16"-12	1/2"-14	1-1/16"-12	15.47	12.00	15.47	42.20	40.40	42.20	27
DAJCML07M-1212	1-1/16"-12	3/4"-14	1-1/16"-12	15.47	16.70	15.47	42.20	40.40	42.20	27
DAJCML07M-1220	1-1/16"-12	1-1/4"-11	1-1/16"-12	15.47	28.60	15.47	50.00	60.50	50.00	41
DAJCML07M-1608	1-5/16"-12	1/2"-14	1-5/16"-12	21.44	12.00	21.44	46.00	45.00	46.00	33
DAJCML07M-1612	1-5/16"-12	3/4"-14	1-5/16"-12	21.44	16.70	21.44	46.00	45.20	46.00	33
DAJCML07M-1616	1-5/16"-12	1"-11	1-5/16"-12	21.44	22.20	21.44	46.00	50.00	46.00	33
DAJCML07M-1620	1-5/16"-12	1-1/4"-11	1-5/16"-12	21.44	28.60	21.44	51.10	60.50	51.10	41
DAJCML07M-2016	1-5/8"-12	1"-11	1-5/8"-12	27.38	22.20	27.38	52.30	59.70	52.30	41
DAJCML07M-2020	1-5/8"-12	1-1/4"-11	1-5/8"-12	27.38	28.60	27.38	52.30	60.00	52.30	41
DAJCML07M-2024	1-5/8"-12	1-1/2"-11	1-5/8"-12	27.38	33.30	27.38	56.00	67.10	56.00	48
DAJCML07M-2424	1-7/8"-12	1-1/2"-11	1-7/8"-12	33.32	33.30	33.32	59.20	67.10	59.20	48
DAJCML07M-2432	1-7/8"-12	2"-11	1-7/8"-12	33.32	46.00	33.32	71.40	76.20	71.40	65
DAJCML07M-3224	2-1/2"-12	1-1/2"-11	2-1/2"-12	45.24	33.30	45.24	77.70	75.40	77.70	63.5
DAJCML07M-3232	2-1/2"-12	2"-11	2-1/2"-12	45.24	46.00	45.24	77.70	76.20	77.70	65

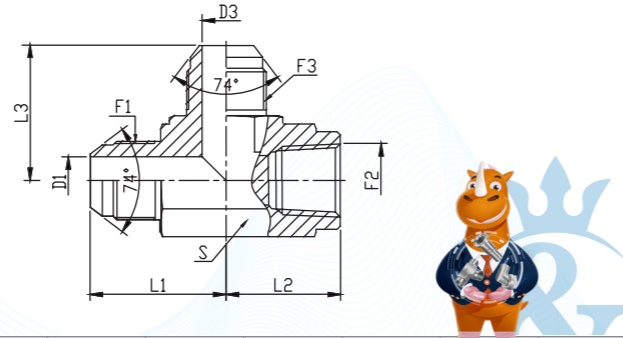


DAJCML28F

Run Tee Connector JIC Male – NPTF Female



- DME&JDE Code:** DAJCML28F
- Product Type:** Hydraulic adaptor
- Standard:** JIC and SAE-ORB
- Structure:** Run Tee
- Adaptor Connection Type:** Male x Female x Male
- Thread Types:** UNF x NPTF x UNF



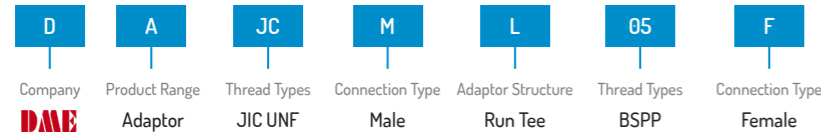
PART NUMBER	F1 (Thread)	F3 (Thread)	F2 (Thread)	D1	D3	L1	L2	L3	S	Hex
#	UNF	UNF	NPTF	mm	mm	mm	mm	mm	-	-
DAJCML28F-0402	7/16"-20	7/16"-20	1/8"-27	4.37	4.37	27.40	16.80	27.40	14 mm	Metric
DAJCML28F-0404	7/16"-20	7/16"-20	1/4"-18	4.37	4.37	31.00	22.40	31.00	19 mm	Metric
DAJCML28F-0402IN	7/16"-20	7/16"-20	1/8"-27	4.37	4.37	27.40	16.80	27.40	9/16"	Imperial
DAJCML28F-0404IN	7/16"-20	7/16"-20	1/4"-18	4.37	4.37	31.00	22.40	31.00	3/4"	Imperial
DAJCML28F-0502	1/2"-20	1/2"-20	1/8"-27	5.94	5.94	27.40	16.80	27.40	14 mm	Metric
DAJCML28F-0504	1/2"-20	1/2"-20	1/4"-18	5.94	5.94	31.00	22.40	31.00	19 mm	Metric
DAJCML28F-0502IN	1/2"-20	1/2"-20	1/8"-27	5.94	5.94	27.40	16.80	27.40	9/16"	Imperial
DAJCML28F-0504IN	1/2"-20	1/2"-20	1/4"-18	5.94	5.94	31.00	22.40	31.00	3/4"	Imperial
DAJCML28F-0602	1/2"-20	1/2"-20	1/8"-27	7.54	7.54	31.20	17.00	31.20	14 mm	Metric
DAJCML28F-0604	9/16"-18	9/16"-18	1/4"-18	7.54	7.54	31.20	22.40	31.20	19 mm	Metric
DAJCML28F-0606	9/16"-18	9/16"-18	3/8"-18	7.54	7.54	33.30	25.90	33.30	22 mm	Metric
DAJCML28F-0608	9/16"-18	9/16"-18	1/2"-14	7.54	7.54	35.80	31.20	35.80	27 mm	Metric
DAJCML28F-0602IN	1/2"-20	1/2"-20	1/8"-27	7.54	7.54	31.20	17.00	31.20	9/16"	Imperial
DAJCML28F-0604IN	9/16"-18	9/16"-18	1/4"-18	7.54	7.54	31.20	22.40	31.20	3/4"	Imperial
DAJCML28F-0606IN	9/16"-18	9/16"-18	3/8"-18	7.54	7.54	33.30	25.90	33.30	7/8"	Imperial
DAJCML28F-0608IN	9/16"-18	9/16"-18	1/2"-14	7.54	7.54	35.80	31.20	35.80	1-1/16"	Imperial

DAJCML28F-0804	3/4"-16	3/4"-16	1/4"-18	9.93	9.93	36.10	25.90	36.10	22 mm	Metric
DAJCML28F-0806	3/4"-16	3/4"-16	3/8"-18	9.93	9.93	36.10	25.90	36.10	22 mm	Metric
DAJCML28F-0808	3/4"-16	3/4"-16	1/2"-14	9.93	9.93	38.60	31.20	38.60	27 mm	Metric
DAJCML28F-0812	3/4"-16	3/4"-16	3/4"-14	9.93	9.93	41.90	34.50	41.90	33 mm	Metric
DAJCML28F-0804IN	3/4"-16	3/4"-16	1/4"-18	9.93	9.93	36.10	25.90	36.10	7/8"	Imperial
DAJCML28F-0806IN	3/4"-16	3/4"-16	3/8"-18	9.93	9.93	36.10	25.90	36.10	7/8"	Imperial
DAJCML28F-0808IN	3/4"-16	3/4"-16	1/2"-14	9.93	9.93	38.60	31.20	38.60	1-1/16"	Imperial
DAJCML28F-0812IN	3/4"-16	3/4"-16	3/4"-14	9.93	9.93	41.90	34.50	41.90	1-5/16"	Imperial
DAJCML28F-1008	7/8"-14	7/8"-14	1/2"-14	12.29	12.29	41.70	31.20	41.70	27 mm	Metric
DAJCML28F-1012	7/8"-14	7/8"-14	3/4"-14	12.29	12.29	44.80	34.50	44.80	33 mm	Metric
DAJCML28F-1008IN	7/8"-14	7/8"-14	1/2"-14	12.29	12.29	41.70	31.20	41.70	1-1/16"	Imperial
DAJCML28F-1012IN	7/8"-14	7/8"-14	3/4"-14	12.29	12.29	44.80	34.50	44.80	1-5/16"	Imperial
DAJCML28F-1208	1-1/16"-12	1-1/16"-12	1/2"-14	15.47	15.47	42.20	31.20	42.20	27 mm	Metric
DAJCML28F-1212	1-1/16"-12	1-1/16"-12	3/4"-14	15.47	15.47	48.00	34.50	48.00	33 mm	Metric
DAJCML28F-1216	1-1/16"-12	1-1/16"-12	1"-11-1/2	15.47	15.47	53.90	41.20	53.90	41 mm	Metric
DAJCML28F-1208IN	1-1/16"-12	1-1/16"-12	1/2"-14	15.47	15.47	42.20	31.20	42.20	1-1/16"	Imperial
DAJCML28F-1212IN	1-1/16"-12	1-1/16"-12	3/4"-14	15.47	15.47	48.00	34.50	48.00	1-5/16"	Imperial
DAJCML28F-1216IN	1-1/16"-12	1-1/16"-12	1"-11-1/2	15.47	15.47	53.90	41.20	53.90	1-5/8"	Imperial
DAJCML28F-1412	1-3/16"-12	1-3/16"-12	3/4"-14	18.26	18.26	47.20	36.00	47.20	33 mm	Metric
DAJCML28F-1412IN	1-3/16"-12	1-3/16"-12	3/4"-14	18.26	18.26	47.20	36.00	47.20	1-5/16"	Imperial
DAJCML28F-1612	1-5/16"-12	1-5/16"-12	3/4"-14	21.44	21.44	55.10	35.40	55.10	33 mm	Metric
DAJCML28F-1616	1-5/16"-12	1-5/16"-12	1"-11-1/2	21.44	21.44	55.10	41.20	55.10	41 mm	Metric
DAJCML28F-1612IN	1-5/16"-12	1-5/16"-12	3/4"-14	21.44	21.44	55.10	35.40	55.10	1-5/16"	Imperial
DAJCML28F-1616IN	1-5/16"-12	1-5/16"-12	1"-11-1/2	21.44	21.44	55.10	41.20	55.10	1-5/8"	Imperial
DAJCML28F-2020	1-5/8"-12	1-5/8"-12	1-1/4"-11-1/2	27.38	27.38	59.20	43.20	59.20	48 mm	Metric
DAJCML28F-2020IN	1-5/8"-12	1-5/8"-12	1-1/4"-11-1/2	27.38	27.38	59.20	43.20	59.20	1-7/8"	Imperial
DAJCML28F-2424	1-7/8"-12	1-7/8"-12	1-1/2"-11-1/2	33.32	33.32	73.40	52.80	73.40	65 mm	Metric
DAJCML28F-2424IN	1-7/8"-12	1-7/8"-12	1-1/2"-11-1/2	33.32	33.32	73.40	52.80	73.40	2-9/16"	Imperial
DAJCML28F-3232	2-1/2"-12	2-1/2"-12	2"-11-1/2	45.24	45.24	83.80	60.70	83.80	70 mm	Metric
DAJCML28F-3232IN	2-1/2"-12	2-1/2"-12	2"-11-1/2	45.24	45.24	83.80	60.70	83.80	2-13/16"	Imperial

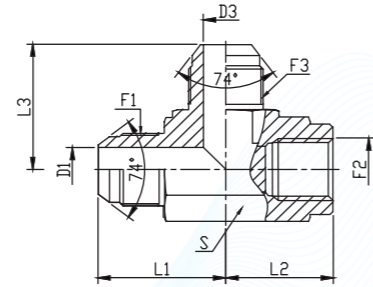


DAJCML05F

Run Tee Connector JIC Male – BSPP Fixed Female



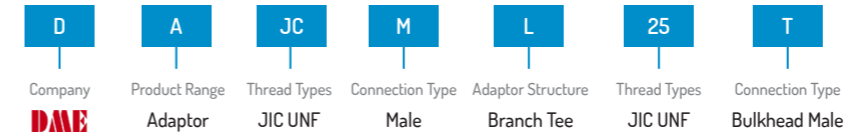
- DME&JDE Code: **DAJCML05F**
- Product Type: **Hydraulic adaptor**
- Standard: **JIC and SAE-ORB**
- Structure: **Run Tee**
- Connection Type: **Male x Fixed Female**
- Thread Types: **UNF x UNF x BSPP**



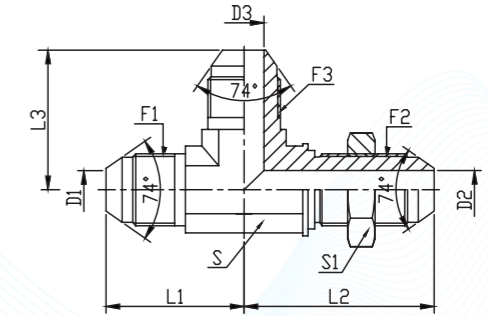
PART NUMBER	F1 (Thread)	F3 (Thread)	F2 (Thread)	D1	D3	L1	L2	L3	S
#	UNF	UNF	BSPP	mm	mm	mm	mm	mm	mm
DAJCML05F-0402	7/16"-20	7/16"-20	1/8"-28	4.37	4.37	27.40	16.80	27.40	14
DAJCML05F-0404	7/16"-20	7/16"-20	1/4"-19	4.37	4.37	31.00	22.40	31.00	19
DAJCML05F-0502	1/2"-20	1/2"-20	1/8"-28	5.94	5.94	27.40	16.80	27.40	14
DAJCML05F-0504	1/2"-20	1/2"-20	1/4"-19	5.94	5.94	31.00	22.40	31.00	19
DAJCML05F-0602	1/2"-20	1/2"-20	1/8"-28	7.54	7.54	31.20	17.00	31.20	14
DAJCML05F-0604	9/16"-18	9/16"-18	1/4"-19	7.54	7.54	31.20	22.40	31.20	19
DAJCML05F-0606	9/16"-18	9/16"-18	3/8"-19	7.54	7.54	33.30	25.90	33.30	22
DAJCML05F-0608	9/16"-18	9/16"-18	1/2"-14	7.54	7.54	35.80	31.20	35.80	27
DAJCML05F-0804	3/4"-16	3/4"-16	1/4"-19	9.93	9.93	36.10	25.70	36.10	19
DAJCML05F-0806	3/4"-16	3/4"-16	3/8"-19	9.93	9.93	36.10	25.90	36.10	22
DAJCML05F-0808	3/4"-16	3/4"-16	1/2"-14	9.93	9.93	38.60	31.20	38.60	27
DAJCML05F-0812	3/4"-16	3/4"-16	3/4"-14	9.93	9.93	41.90	34.50	41.90	33
DAJCML05F-1008	7/8"-14	7/8"-14	1/2"-14	12.29	12.29	41.70	31.20	41.70	27
DAJCML05F-1208	1-1/16"-12	1-1/16"-12	1/2"-14	15.47	15.47	48.00	34.30	48.00	27
DAJCML05F-1212	1-1/16"-12	1-1/16"-12	3/4"-14	15.47	15.47	48.00	34.50	48.00	33
DAJCML05F-1612	1-5/16"-12	1-5/16"-12	3/4"-14	21.44	21.44	55.10	35.30	55.10	33
DAJCML05F-1616	1-5/16"-12	1-5/16"-12	1"-11	21.44	21.44	55.10	41.20	55.10	41
DAJCML05F-2020	1-5/8"-12	1-5/8"-12	1-1/4"-11	27.38	27.38	59.20	43.20	59.20	48
DAJCML05F-2424	1-7/8"-12	1-7/8"-12	1-1/2"-11	33.32	33.32	73.40	52.80	73.40	65
DAJCML05F-3232	2-1/2"-12	2-1/2"-12	2"-11	45.24	45.24	83.80	60.70	83.80	70

DAJCML25T

Run Bulkhead Tee Connector JIC Male – JIC Male



- DME&JDE Code: **DAJCML25T**
- Product Type: **Hydraulic adaptor**
- Standard: **JIC and SAE-ORB**
- Structure: **Run Tee**
- Connection Type: **Adjustable Male x Male x Male**
- Thread Types: **UNF x UNF x UNF**
- Other Features: **Bulkhead**



PART NUMBER	F1 (Thread)	F2 (Thread)	F3 (Thread)	L1	L3	L2	D1	D2	D3	S	S1	Hex
#	UNF	UNF	UNF	mm	mm	mm	mm	mm	mm	-	-	-
DAJCML25T-0303	3/8"-24	3/8"-24	3/8"-24	23.88	23.88	38.10	3.18	3.18	3.18	11 mm	16 mm	Metric
DAJCML25T-0303IN	3/8"-24	3/8"-24	3/8"-24	23.88	23.88	38.10	3.18	3.18	3.18	7/16"	5/8"	Imperial
DAJCML25T-0404	7/16"-20	7/16"-20	7/16"-20	24.60	24.60	40.40	4.37	4.37	4.37	11 mm	17 mm	Metric
DAJCML25T-0404IN	7/16"-20	7/16"-20	7/16"-20	24.60	24.60	40.40	4.37	4.37	4.37	7/16"	11/16"	Imperial
DAJCML25T-0505	1/2"-20	1/2"-20	1/2"-20	26.90	26.90	43.70	5.94	5.94	5.94	14 mm	19 mm	Metric
DAJCML25T-0505IN	1/2"-20	1/2"-20	1/2"-20	26.90	26.90	43.70	5.94	5.94	5.94	9/16"	3/4"	Imperial
DAJCML25T-0606	9/16"-18	9/16"-18	9/16"-18	27.70	27.70	46.00	7.54	7.54	7.54	14 mm	22 mm	Metric
DAJCML25T-0606IN	9/16"-18	9/16"-18	9/16"-18	27.70	27.70	46.00	7.54	7.54	7.54	9/16"	13/16"	Imperial
DAJCML25T-0808	3/4"-16	3/4"-16	3/4"-16	34.50	34.50	53.60	9.93	9.93	9.93	19 mm	24 mm	Metric
DAJCML25T-0808IN	3/4"-16	3/4"-16	3/4"-16	34.50	34.50	53.60	9.93	9.93	9.93	3/4"	1"	Imperial
DAJCML25T-1010	7/8"-14	7/8"-14	7/8"-14	39.60	39.60	60.70	12.29	12.29	12.29	22 mm	30 mm	Metric
DAJCML25T-1010IN	7/8"-14	7/8"-14	7/8"-14	39.60	39.60	60.70	12.29	12.29	12.29	7/8"	1-1/8"	Imperial
DAJCML25T-1212	1-1/16"-12	1-1/16"-12	1-1/16"-12	45.20	45.20	67.80	15.47	15.47	15.47	27 mm	36 mm	Metric
DAJCML25T-1212IN	1-1/16"-12	1-1/16"-12	1-1/16"-12	45.20	45.20	67.80	15.47	15.47	15.47	1-1/16"	1-3/8"	Imperial
DAJCML25T-1616	1-5/16"-12	1-5/16"-12	1-5/16"-12	49.30	49.30	71.10	21.44	21.44	21.44	33 mm	41 mm	Metric
DAJCML25T-1616IN	1-5/16"-12	1-5/16"-12	1-5/16"-12	49.30	49.30	71.10	21.44	21.44	21.44	1-5/16"	1-5/8"	Imperial
DAJCML25T-2020	1-5/8"-12	1-5/8"-12	1-5/8"-12	55.10	55.10	79.30	27.38	27.38	27.38	41 mm	50 mm	Metric
DAJCML25T-2020IN	1-5/8"-12	1-5/8"-12	1-5/8"-12	55.10	55.10	79.30	27.38	27.38	27.38	1-5/8"	1-7/8"	Imperial
DAJCML25T-2424	1-7/8"-12	1-7/8"-12	1-7/8"-12	59.40	59.40	86.90	33.32	33.32	33.32	48 mm	55 mm	Metric
DAJCML25T-2424IN	1-7/8"-12	1-7/8"-12	1-7/8"-12	59.40	59.40	86.90	33.32	33.32	33.32	1-7/8"	2-1/8"	Imperial
DAJCML25T-3232	2-1/2"-12	2-1/2"-12	2-1/2"-12	73.40	73.40	104.40	45.24	45.24	45.24	65 mm	70 mm	Metric
DAJCML25T-3232IN	2-1/2"-12	2-1/2"-12	2-1/2"-12	73.40	73.40	104.40	45.24	45.24	45.24	2-1/2"	2-3/4"	Imperial

DAJCMX25M

Cross Connector JIC Male – JIC Male

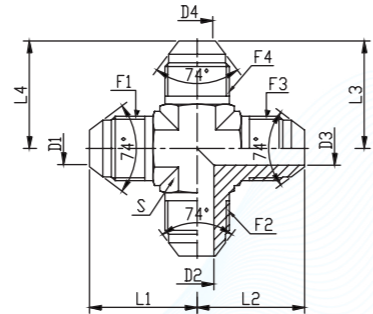
D	A	JC	M	X	25	M
Company	Product Range	Thread Types	Connection Type	Adaptor Structure	Thread Types	Connection Type
DME	Adaptor	JIC UNF	Male	Cross	JIC UNF	Male

German Technology Equipment

SHIELD FLEX

New-Standard

- DME&JDE Code: **DAJCMX25M**
- Product Type: **Hydraulic adaptor**
- Standard: **JIC and SAE-ORB**
- Structure: **Cross**
- Connection Type: **Male x Male x Male x Male**
- Thread Types: **UNF x UNF x UNF x UNF**



PART NUMBER	F1/F2/F3/F4 (Thread)	L1/L2/L3/L4	D1/D2/D3/D4	S	Hex
#	UNF	mm	mm	-	-
DAJCMX25M-0202	5/16"-24	19.60	1.57	11 mm	Metric
DAJCMX25M-0202IN	5/16"-24	19.60	1.57	7/16"	Imperial
DAJCMX25M-0404	7/16"-20	22.60	4.37	11 mm	Metric
DAJCMX25M-0404IN	7/16"-20	22.60	4.37	7/16"	Imperial
DAJCMX25M-0505	1/2"-20	24.10	5.94	14 mm	Metric
DAJCMX25M-0505IN	1/2"-20	24.10	5.94	9/16"	Imperial
DAJCMX25M-0606	9/16"-18	26.90	7.54	14 mm	Metric
DAJCMX25M-0606IN	9/16"-18	26.90	7.54	9/16"	Imperial
DAJCMX25M-0808	3/4"-16	31.80	9.93	19 mm	Metric
DAJCMX25M-0808IN	3/4"-16	31.80	9.93	3/4"	Imperial
DAJCMX25M-1010	7/8"-14	36.80	12.29	22 mm	Metric
DAJCMX25M-1010IN	7/8"-14	36.80	12.29	7/8"	Imperial
DAJCMX25M-1212	1-1/16"-12	42.20	15.47	27 mm	Metric
DAJCMX25M-1212IN	1-1/16"-12	42.20	15.47	1-1/16"	Imperial
DAJCMX25M-1414	1-3/16"-12	45.70	18.26	33 mm	Metric
DAJCMX25M-1414IN	1-3/16"-12	45.70	18.26	1-5/16"	Imperial
DAJCMX25M-1616	1-5/16"-12	46.00	21.44	33 mm	Metric
DAJCMX25M-1616IN	1-5/16"-12	46.00	21.44	1-5/16"	Imperial
DAJCMX25M-2020	1-5/8"-12	52.30	27.38	41 mm	Metric
DAJCMX25M-2020IN	1-5/8"-12	52.30	27.38	1-5/8"	Imperial
DAJCMX25M-2424	1-7/8"-12	59.20	33.32	48 mm	Metric
DAJCMX25M-2424IN	1-7/8"-12	59.20	33.32	1-7/8"	Imperial
DAJCMX25M-3232	2-1/2"-12	77.70	45.24	65 mm	Metric
DAJCMX25M-3232IN	2-1/2"-12	77.70	45.24	2-1/2"	Imperial

DAUNM1305

Straight Connector SAE Male + O Ring – SAE Male + O Ring

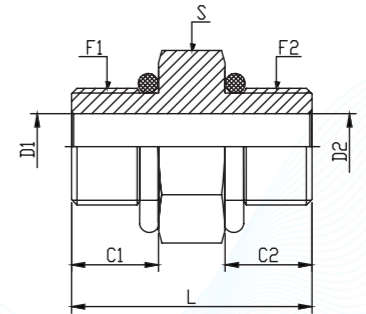
D	A	UN	M	1	30	5
Company	Product Range	Thread Types	Connection Type	Adaptor Structure	Thread Types	Connection Type
DME	Adaptor	SAE UNF	Male	Straight	SAE UNF	Male + O Ring

German Technology Equipment

SHIELD FLEX

New-Standard

- DME&JDE Code: **DAUNM1305**
- Product Type: **Hydraulic adaptor**
- Standard: **JIC and SAE-ORB**
- Structure: **Straight**
- Connection Type: **Male x Male**
- Thread Types: **UNF x UNF**
- Sealing Method: **O Ring**



PART NUMBER	F1 (Thread)	F2 (Thread)	C1	C2	D1	D2	L	S	Hex
#	UNF	UNF	mm	mm	mm	mm	mm	-	-
DAUNM1305-0404IN	7/16"-20	7/16"-20	9.14	9.14	4.37	4.37	25.40	9/16"	Imperial



DAUNM1000

Plug SAE Male O Ring

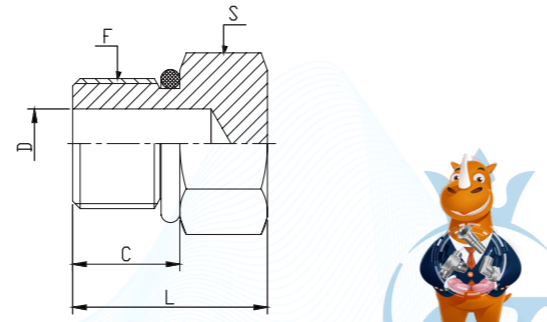
D	A	JC	M	9	251	L	B
Company	Product Range	Thread Types	Connection Type	Adaptor Structure	Connection Type	Elbow Length	Elbow Type
DME	Adaptor	JIC UNF	Male	90° Elbow	JIC Swivel Female	Long	Swept

German Technology Equipment

SHIELD FLEX

New-Standard

- DME&JDE Code: **DAUNM1000**
- Product Type: **Hydraulic adaptor**
- Standard: **JIC and SAE-ORB**
- Connection Type: **Male**
- Thread Types: **UNF**
- Sealing Method: **O Ring**
- Other Features: **Nut/Plug**



PART NUMBER #	F (Thread) UNF	C mm	D mm	L mm	S -	Hex -
DAUNM1000-0200	5/16"-24	7.54	2.40	15.20	11 mm	Metric
DAUNM1000-0200IN	5/16"-24	7.54	2.40	15.20	7/16"	Imperial
DAUNM1000-0200 Without Hole	5/16"-24	7.54	N/A	15.20	7/16"	Imperial
DAUNM1000-0300	3/8"-24	7.54	3.18	15.20	12 mm	Metric
DAUNM1000-0300IN	3/8"-24	7.54	3.18	15.20	1/2"	Imperial
DAUNM1000-0300 Without Hole	3/8"-24	7.54	N/A	15.20	1/2"	Imperial
DAUNM1000-0400	7/16"-20	9.14	4.37	17.00	14 mm	Metric
DAUNM1000-0400IN	7/16"-20	9.14	4.37	17.00	9/16"	Imperial
DAUNM1000-0400 Without Hole	7/16"-20	9.14	N/A	17.00	9/16"	Imperial
DAUNM1000-0500	1/2"-20	9.14	5.94	17.00	17 mm	Metric
DAUNM1000-0500IN	1/2"-20	9.14	5.94	17.00	5/8"	Imperial
DAUNM1000-0500 Without Hole	1/2"-20	9.14	N/A	17.00	5/8"	Imperial
DAUNM1000-0600	9/16"-18	9.93	7.54	18.50	17 mm	Metric
DAUNM1000-0600IN	9/16"-18	9.93	7.54	18.50	11/16"	Imperial
DAUNM1000-0600 Without Hole	9/16"-18	9.93	N/A	18.50	11/16"	Imperial
DAUNM1000-0800	3/4"-16	11.13	9.93	20.30	22 mm	Metric
DAUNM1000-0800IN	3/4"-16	11.13	9.93	20.30	7/8"	Imperial
DAUNM1000-0800 Without Hole	3/4"-16	11.13	N/A	20.30	7/8"	Imperial
DAUNM1000-1000	7/8"-14	12.70	12.29	23.60	27 mm	Metric
DAUNM1000-1000IN	7/8"-14	12.70	12.29	23.60	1"	Imperial
DAUNM1000-1000 Without Hole	7/8"-14	12.70	N/A	23.60	1"	Imperial
DAUNM1000-1200	1-1/16"-12	15.09	16.66	27.70	32 mm	Metric
DAUNM1000-1200IN	1-1/16"-12	15.09	16.66	27.70	1-1/4"	Imperial
DAUNM1000-1200 Without Hole	1-1/16"-12	15.09	N/A	27.70	1-1/4"	Imperial
DAUNM1000-1400	1-3/16"-12	15.09	18.26	27.70	36 mm	Metric
DAUNM1000-1400IN	1-3/16"-12	15.09	18.26	27.70	1-3/8"	Imperial
DAUNM1000-1400 Without Hole	1-3/16"-12	15.09	M/A	27.70	1-3/8"	Imperial
DAUNM1000-1600	1-5/16"-12	15.09	21.44	28.40	41 mm	Metric
DAUNM1000-1600IN	1-5/16"-12	15.09	21.44	28.40	1-1/2"	Imperial
DAUNM1000-1600 Without Hole	1-5/16"-12	15.09	N/A	28.40	1-1/2"	Imperial
DAUNM1000-2000	1-5/8"-12	15.09	27.38	30.50	50 mm	Metric
DAUNM1000-2000IN	1-5/8"-12	15.09	27.38	30.50	1-7/8"	Imperial
DAUNM1000-2000 Without Hole	1-5/8"-12	15.09	N/A	30.50	1-7/8"	Imperial
DAUNM1000-2400	1-7/8"-12	15.09	34.14	32.30	55 mm	Metric
DAUNM1000-2400IN	1-7/8"-12	15.09	34.14	32.30	2-1/8"	Imperial
DAUNM1000-2400 Without Hole	1-7/8"-12	15.09	N/A	32.30	2-1/8"	Imperial
DAUNM1000-3200	2-1/2"-12	15.09	45.25	36.30	70 mm	Metric
DAUNM1000-3200IN	2-1/2"-12	15.09	45.25	36.30	2-3/4"	Imperial
DAUNM1000-3200 Without Hole	2-1/2"-12	15.09	N/A	36.30	2-3/4"	Imperial

DVSTI-UN

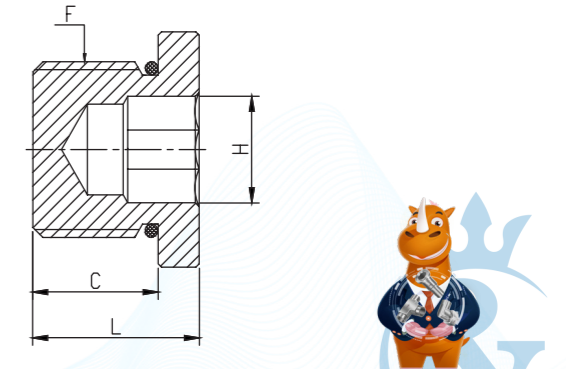
Hexagon Socket SAE Male O Ring Plug

- DME&JDE Code: **DVSTI-UN**
- Product Type: **Hydraulic adaptor**
- Standard: **JIC and SAE-ORB**
- Structure: **Plug**
- Connection Type: **Male**
- Thread Types: **UNF**
- Sealing Method: **O Ring**
- Other Features: **Hexagon**

German Technology Equipment

SHIELD FLEX

New-Standard



PART NUMBER #	F (Thread) -	C mm	L mm	H Inch
DVSTI-02UN	5/16"-24	7.54	10.20	1/8"
DVSTI-03UN	3/8"-24	7.54	10.20	1/8"
DVSTI-04UN	7/16"-20	9.14	11.90	3/16"
DVSTI-05UN	1/2"-20	9.14	12.06	3/16"
DVSTI-06UN	9/16"-18	9.93	12.70	1/4"
DVSTI-08UN	3/4"-16	11.13	14.70	5/16"
DVSTI-10UN	7/8"-14	12.70	16.50	3/8"
DVSTI-12UN	1-1/16"-12	15.09	19.50	9/16"
DVSTI-14UN	1-3/16"-12	15.09	19.60	9/16"
DVSTI-16UN	1-5/16"-12	15.09	19.50	5/8"
DVSTI-20UN	1-5/8"-12	15.09	19.50	3/4"
DVSTI-24UN	1-7/8"-12	15.09	19.50	3/4"
DVSTI-32UN	2-1/2"-12	15.09	19.69	3/4"



DAUNM1305B

Straight Adjustable Connector SAE Male – SAE Male + O Ring

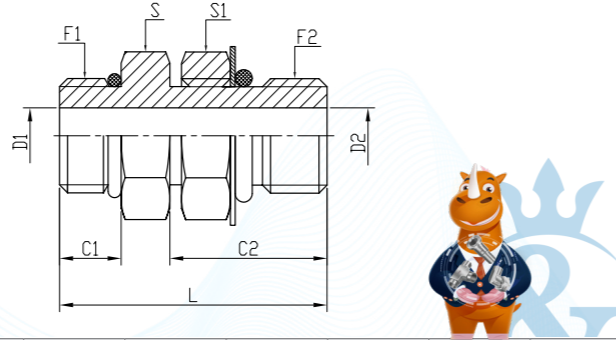
D	A	UN	M	1	30	5	B
Company	Product Range	Thread Types	Connection Type	Adaptor Structure	Thread Types	Sealing Type	Connection Type
DME	Adaptor	SAE UNF	Male	Straight	SAE	Male + O Ring	Adjustable

German Technology Equipment

SHIELD FLEX

New-Standard

- DME&JDE Code: **DAUNM1305B**
- Product Type: **Hydraulic adaptor**
- Adaptor Standard: **JIC and SAE-ORB**
- Structure: **Straight**
- Connection Type: **Adjustable Male x Male**
- Thread Types: **UNF x UNF**
- Sealing Method: **O Ring**



PART NUMBER	F1 (Thread)	F2 (Thread)	C1	C2	D1	D2	L	S	S1	Hex
#	UNF	UNF	mm	mm	mm	mm	mm	-	-	-
DAUNM1305B-0404	7/16"-20	7/16"-20	9.14	20.50	4.37	4.37	34.80	14 mm	14 mm	Metric
DAUNM1305B-0406	7/16"-20	9/16"-18	9.14	21.17	4.37	7.54	39.50	17 mm	17 mm	Metric
DAUNM1305B-0404IN	7/16"-20	7/16"-20	9.14	20.50	4.37	4.37	34.80	9/16"	9/16"	Imperial
DAUNM1305B-0406IN	7/16"-20	9/16"-18	9.14	21.17	4.37	7.54	39.50	11/16"	11/16"	Imperial
DAUNM1305B-0505	1/2"-20	1/2"-20	9.14	20.50	5.94	5.94	36.80	17 mm	17 mm	Metric
DAUNM1305B-0505IN	1/2"-20	1/2"-20	9.14	20.50	5.94	5.94	36.80	5/8"	5/8"	Imperial
DAUNM1305B-0604	9/16"-18	7/16"-20	9.93	18.50	7.54	4.37	37.00	17 mm	14 mm	Metric
DAUNM1305B-0606	9/16"-18	9/16"-18	9.93	19.05	7.54	7.54	39.62	17 mm	17 mm	Metric
DAUNM1305B-0608	9/16"-18	3/4"-16	9.93	24.30	7.54	9.93	43.70	22 mm	22 mm	Metric
DAUNM1305B-0604IN	9/16"-18	7/16"-20	9.93	18.50	7.54	4.37	37.00	11/16"	9/16"	Imperial
DAUNM1305B-0606IN	9/16"-18	9/16"-18	9.93	19.05	7.54	7.54	39.62	11/16"	11/16"	Imperial
DAUNM1305B-0608IN	9/16"-18	3/4"-16	9.93	24.30	7.54	9.93	43.70	7/8"	7/8"	Imperial
DAUNM1305B-0806	3/4"-16	9/16"-18	11.13	21.17	9.93	7.54	40.70	22 mm	17 mm	Metric
DAUNM1305B-0808	3/4"-16	3/4"-16	11.13	22.20	9.93	9.93	39.62	22 mm	22 mm	Metric
DAUNM1305B-0810	3/4"-16	7/8"-14	11.13	27.78	9.93	12.29	50.50	27 mm	27 mm	Metric
DAUNM1305B-0812	3/4"-16	1-1/16"-12	11.13	32.17	9.93	15.47	55.90	32 mm	32 mm	Metric
DAUNM1305B-0806IN	3/4"-16	9/16"-18	11.13	21.17	9.93	7.54	40.70	7/8"	11/16"	Imperial
DAUNM1305B-0808IN	3/4"-16	3/4"-16	11.13	22.20	9.93	9.93	39.62	7/8"	7/8"	Imperial

DAUNM1305B-0810IN	3/4"-16	7/8"-14	11.13	27.78	9.93	12.29	50.50	1"	1"	Imperial
DAUNM1305B-0812IN	3/4"-16	1-1/16"-12	11.13	32.17	9.93	15.47	55.90	1-1/4"	1-1/4"	Imperial
DAUNM1305B-1008	7/8"-14	3/4"-16	12.70	24.22	12.29	9.93	45.80	27 mm	22 mm	Metric
DAUNM1305B-1010	7/8"-14	7/8"-14	12.70	27.78	12.29	12.29	51.82	27 mm	27 mm	Metric
DAUNM1305B-1012	7/8"-14	1-1/16"-12	12.70	29.46	12.29	15.47	54.10	32 mm	32 mm	Metric
DAUNM1305B-1008IN	7/8"-14	3/4"-16	12.70	24.22	12.29	9.93	45.80	1"	7/8"	Imperial
DAUNM1305B-1010IN	7/8"-14	7/8"-14	12.70	27.78	12.29	12.29	51.82	1"	1"	Imperial
DAUNM1305B-1012IN	7/8"-14	1-1/16"-12	12.70	29.46	12.29	15.47	54.10	1-1/4"	1-1/4"	Imperial
DAUNM1305B-1208	1-1/16"-12	3/4"-16	15.09	24.22	15.47	9.93	52.00	32 mm	22 mm	Metric
DAUNM1305B-1210	1-1/16"-12	7/8"-14	15.09	27.78	15.47	12.29	54.10	32 mm	27 mm	Metric
DAUNM1305B-1212	1-1/16"-12	1-1/16"-12	15.09	32.17	15.47	15.47	59.18	32 mm	32 mm	Metric
DAUNM1305B-1216	1-1/16"-12	1-5/16"-12	15.09	32.17	15.47	21.44	59.94	36 mm	41 mm	Metric
DAUNM1305B-1208IN	1-1/16"-12	3/4"-16	15.09	24.22	15.47	9.93	52.00	1-1/4"	7/8"	Imperial
DAUNM1305B-1210IN	1-1/16"-12	7/8"-14	15.09	27.78	15.47	12.29	54.10	1-1/4"	1"	Imperial
DAUNM1305B-1212IN	1-1/16"-12	1-1/16"-12	15.09	32.17	15.47	15.47	59.18	1-1/4"	1-1/4"	Imperial
DAUNM1305B-1216IN	1-1/16"-12	1-5/16"-12	15.09	32.17	15.47	21.44	59.94	1-3/8"	1-1/2"	Imperial
DAUNM1305B-1612	1-5/16"-12	1-1/16"-12	15.09	29.00	21.44	15.47	57.00	41 mm	32 mm	Metric
DAUNM1305B-1616	1-5/16"-12	1-5/16"-12	15.09	32.17	21.44	21.44	59.94	41 mm	41 mm	Metric
DAUNM1305B-1612IN	1-5/16"-12	1-1/16"-12	15.09	29.00	21.44	15.47	57.00	1-1/2"	1-1/4"	Imperial
DAUNM1305B-1616IN	1-5/16"-12	1-5/16"-12	15.09	32.17	21.44	21.44	59.94	1-1/2"	1-1/2"	Imperial
DAUNM1305B-2016	1-5/8"-12	1-5/16"-12	15.09	32.17	27.38	21.44	58.60	50 mm	41 mm	Metric
DAUNM1305B-2020	1-5/8"-12	1-5/8"-12	15.09	29.46	27.38	27.38	58.67	50 mm	50 mm	Metric
DAUNM1305B-2024	1-5/8"-12	1-7/8"-12	15.09	28.96	27.38	33.32	61.00	50 mm	55 mm	Metric
DAUNM1305B-2016IN	1-5/8"-12	1-5/16"-12	15.09	32.17	27.38	21.44	58.60	1-7/8"	1-1/2"	Imperial
DAUNM1305B-2020IN	1-5/8"-12	1-5/8"-12	15.09	29.46	27.38	27.38	58.67	1-7/8"	1-7/8"	Imperial
DAUNM1305B-2024IN	1-5/8"-12	1-7/8"-12	15.09	28.96	27.38	33.32	61.00	2"	2-1/8"	Imperial
DAUNM1305B-2420	1-7/8"-12	1-5/8"-12	15.09	32.20	33.32	27.38	61.00	55 mm	50 mm	Metric
DAUNM1305B-2424	1-7/8"-12	1-7/8"-12	15.09	28.96	33.32	33.32	56.80	55 mm	55 mm	Metric
DAUNM1305B-2420IN	1-7/8"-12	1-5/8"-12	15.09	32.20	33.32	27.38	61.00	2-1/8"	1-7/8"	Imperial
DAUNM1305B-2424IN	1-7/8"-12	1-7/8"-12	15.09	28.96	33.32	33.32	56.80	2-1/8"	2-1/8"	Imperial
DAUNM1305B-3232	2-1/2"-12	2-1/2"-12	15.09	32.00	45.24	45.24	66.80	70 mm	70 mm	Metric
DAUNM1305B-3232IN	2-1/2"-12	2-1/2"-12	15.09	32.00	45.24	45.24	66.80	2-3/4"	2-3/4"	Imperial



DAUNF1305

Straight Connector SAE Female O Ring – SAE Male O Ring

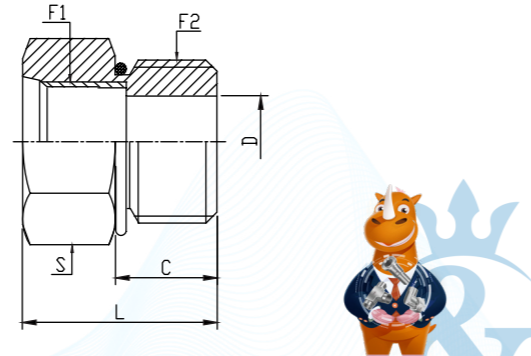
D	A	UN	F	1	30	5
Company	Product Range	Thread Types	Connection Type	Adaptor Structure	Thread Types	Connection Type
DME	Adaptor	SAE UNF	Female	Straight	SAE UNF	Male + O Ring

German Technology Equipment

SHIELD FLEX

New-Standard

- DME&JDE Code: **DAUNF1305**
- Product Type: **Hydraulic adaptor**
- Adaptor Standard: **JIC and SAE-ORB**
- Structure: **Straight**
- Connection Type: **Female x Male**
- Thread Types: **UNF x UNF**
- Sealing Method: **O Ring**



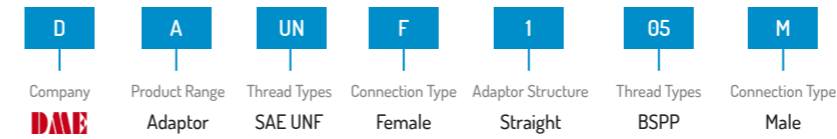
PART NUMBER	F1 (Thread)	F2 (Thread)	C	D	L	S	Hex
#	UNF	UNF	mm	mm	mm	-	-
DAUNF1305-0304	3/8"-24	7/16"-20	9.14	4.37	27.90	17 mm	Metric
DAUNF1305-0308	3/8"-24	3/4"-16	11.13	7.92	20.32	22 mm	Metric
DAUNF1305-0304IN	3/8"-24	7/16"-20	9.14	4.37	27.90	5/8"	Imperial
DAUNF1305-0308IN	3/8"-24	3/4"-16	11.13	7.92	20.32	7/8"	Imperial
DAUNF1305-0402	7/16"-20	5/16"-24	7.54	1.60	28.70	17 mm	Metric
DAUNF1305-0403	7/16"-20	3/8"-24	7.54	3.18	28.70	17 mm	Metric
DAUNF1305-0404	7/16"-20	7/16"-20	9.14	4.37	28.10	17 mm	Metric
DAUNF1305-0405	7/16"-20	1/2"-20	9.14	5.94	27.40	17 mm	Metric
DAUNF1305-0406	7/16"-20	9/16"-18	9.93	7.54	28.40	17 mm	Metric
DAUNF1305-0408	7/16"-20	3/4"-16	11.13	9.80	27.94	22 mm	Metric
DAUNF1305-0410	7/16"-20	7/8"-14	12.70	12.29	23.90	27 mm	Metric
DAUNF1305-0412	7/16"-20	1-1/16"-12	15.09	15.47	27.70	32 mm	Metric
DAUNF1305-0416	7/16"-20	1-5/16"-12	15.09	9.25	25.40	41 mm	Metric
DAUNF1305-0402IN	7/16"-20	5/16"-24	7.54	1.60	28.70	11/16"	Imperial
DAUNF1305-0403IN	7/16"-20	3/8"-24	7.54	3.18	28.70	11/16"	Imperial
DAUNF1305-0404IN	7/16"-20	7/16"-20	9.14	4.37	28.10	11/16"	Imperial
DAUNF1305-0405IN	7/16"-20	1/2"-20	9.14	5.94	27.40	5/8"	Imperial
DAUNF1305-0406IN	7/16"-20	9/16"-18	9.93	7.54	28.40	11/16"	Imperial
DAUNF1305-0408IN	7/16"-20	3/4"-16	11.13	9.80	27.94	7/8"	Imperial
DAUNF1305-0410IN	7/16"-20	7/8"-14	12.70	12.29	23.90	1"	Imperial
DAUNF1305-0412IN	7/16"-20	1-1/16"-12	15.09	15.47	27.70	1-1/4"	Imperial
DAUNF1305-0416IN	7/16"-20	1-5/16"-12	15.09	9.25	25.40	1-1/2"	Imperial
DAUNF1305-0504	1/2"-20	7/16"-20	9.14	4.37	29.46	19 mm	Metric
DAUNF1305-0508	1/2"-20	3/4"-16	11.13	9.93	30.73	22 mm	Metric
DAUNF1305-0504IN	1/2"-20	7/16"-20	9.14	4.37	29.46	3/4"	Imperial
DAUNF1305-0508IN	1/2"-20	3/4"-16	11.13	9.93	30.73	7/8"	Imperial

DAUNF1305-0604	9/16"-18	7/16"-20	9.14	4.37	29.50	22 mm	Metric
DAUNF1305-0605	9/16"-18	1/2"-20	9.14	5.94	31.50	22 mm	Metric
DAUNF1305-0606	9/16"-18	9/16"-18	9.93	7.54	31.00	22 mm	Metric
DAUNF1305-0608	9/16"-18	3/4"-16	11.13	9.93	29.50	22 mm	Metric
DAUNF1305-0610	9/16"-18	7/8"-14	12.70	12.29	30.23	27 mm	Metric
DAUNF1305-0612	9/16"-18	1-1/16"-12	15.09	15.47	27.70	32 mm	Metric
DAUNF1305-0616	9/16"-18	1-5/16"-12	15.09	12.90	25.40	41 mm	Metric
DAUNF1305-0620	9/16"-18	1-5/8"-12	15.09	12.92	25.40	50 mm	Metric
DAUNF1305-0604IN	9/16"-18	7/16"-20	9.14	4.37	29.50	13/16"	Imperial
DAUNF1305-0605IN	9/16"-18	1/2"-20	9.14	5.94	31.50	13/16"	Imperial
DAUNF1305-0606IN	9/16"-18	9/16"-18	9.93	7.54	31.00	13/16"	Imperial
DAUNF1305-0608IN	9/16"-18	3/4"-16	11.13	9.93	29.50	7/8"	Imperial
DAUNF1305-0610IN	9/16"-18	7/8"-14	12.70	12.29	30.23	1"	Imperial
DAUNF1305-0612IN	9/16"-18	1-1/16"-12	15.09	15.47	27.70	1-1/4"	Imperial
DAUNF1305-0616IN	9/16"-18	1-5/16"-12	15.09	12.90	25.40	1-1/2"	Imperial
DAUNF1305-0620IN	9/16"-18	1-5/8"-12	15.09	12.92	25.40	1-7/8"	Imperial
DAUNF1305-0804	3/4"-16	7/16"-20	9.14	4.37	35.40	27 mm	Metric
DAUNF1305-0806	3/4"-16	9/16"-18	9.93	7.54	36.83	27 mm	Metric
DAUNF1305-0808	3/4"-16	3/4"-16	11.13	9.93	35.81	27 mm	Metric
DAUNF1305-0810	3/4"-16	7/8"-14	12.70	12.29	33.30	27 mm	Metric
DAUNF1305-0812	3/4"-16	1-1/16"-12	15.09	15.47	37.59	32 mm	Metric
DAUNF1305-0814	3/4"-16	1-3/16"-12	15.09	18.26	27.70	36 mm	Metric
DAUNF1305-0816	3/4"-16	1-5/16"-12	15.09	17.50	25.40	41 mm	Metric
DAUNF1305-0820	3/4"-16	1-5/8"-12	15.09	17.50	25.40	50 mm	Metric
DAUNF1305-0824	3/4"-16	1-7/8"-12	15.09	33.32	32.30	55 mm	Metric
DAUNF1305-0804IN	3/4"-16	7/16"-20	9.14	4.37	35.40	1"	Imperial
DAUNF1305-0806IN	3/4"-16	9/16"-18	9.93	7.54	36.83	1"	Imperial
DAUNF1305-0808IN	3/4"-16	3/4"-16	11.13	9.93	35.81	1"	Imperial
DAUNF1305-0810IN	3/4"-16	7/8"-14	12.70	12.29	33.30	1"	Imperial
DAUNF1305-0812IN	3/4"-16	1-1/16"-12	15.09	15.47	37.59	1-1/4"	Imperial
DAUNF1305-0814IN	3/4"-16	1-3/16"-12	15.09	18.26	27.70	1-3/8"	Imperial
DAUNF1305-0816IN	3/4"-16	1-5/16"-12	15.09	17.50	25.40	1-1/2"	Imperial
DAUNF1305-0820IN	3/4"-16	1-5/8"-12	15.09	17.50	25.40	1-7/8"	Imperial
DAUNF1305-0824IN	3/4"-16	1-7/8"-12	15.09	33.32	32.30	2-1/8"	Imperial
DAUNF1305-1008	7/8"-14	3/4"-16	11.13	9.93	38.10	30 mm	Metric
DAUNF1305-1010	7/8"-14	7/8"-14	12.70	12.50	38.00	30 mm	Metric
DAUNF1305-1012	7/8"-14	1-1/16"-12	15.09	15.47	39.60	32 mm	Metric
DAUNF1305-1016	7/8"-14	1-5/16"-12	15.09	21.44	28.50	41 mm	Metric
DAUNF1305-1020	7/8"-14	1-5/8"-12	15.09	20.47	25.40	50 mm	Metric
DAUNF1305-1024	7/8"-14	1-7/8"-12	15.09	33.32	32.30	55 mm	Metric
DAUNF1305-1008IN	7/8"-14	3/4"-16	11.13	9.93	38.10	1-1/8"	Imperial
DAUNF1305-1010IN	7/8"-14	7/8"-14	12.70	12.50	38.00	1-1/16"	Imperial
DAUNF1305-1012IN	7/8"-14	1-1/16"-12	15.09	15.47	39.60	1-1/4"	Imperial
DAUNF1305-1016IN	7/8"-14	1-5/16"-12	15.09	21.44	28.50	1-1/2"	Imperial
DAUNF1305-1020IN	7/8"-14	1-5/8"-12	15.09	20.47	25.40	1-7/8"	Imperial
DAUNF1305-1024IN	7/8"-14	1-7/8"-12	15.09	33.32	32.30	2-1/8"	Imperial

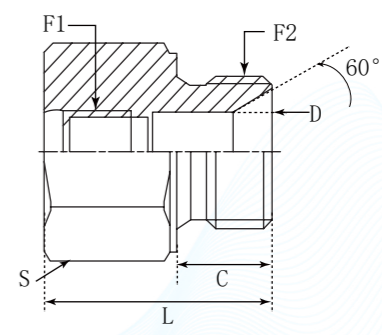
DAUNF1305-1206	1-1/16"-12	9/16"-18	9.93	7.54	39.70	36 mm	Metric
DAUNF1305-1208	1-1/16"-12	3/4"-16	11.13	9.93	41.90	36 mm	Metric
DAUNF1305-1210	1-1/16"-12	7/8"-14	12.70	12.29	45.50	36 mm	Metric
DAUNF1305-1212	1-1/16"-12	1-1/16"-12	15.09	15.47	46.50	36 mm	Metric
DAUNF1305-1216	1-1/16"-12	1-5/16"-12	15.09	21.44	43.69	41 mm	Metric
DAUNF1305-1220	1-1/16"-12	1-5/8"-12	15.09	24.92	25.40	50 mm	Metric
DAUNF1305-1224	1-1/16"-12	1-7/8"-12	15.09	33.32	32.30	55 mm	Metric
DAUNF1305-1232	1-1/16"-12	2-1/2"-12	15.09	44.50	36.30	45 mm	Metric
DAUNF1305-1206IN	1-1/16"-12	9/16"-18	9.93	7.54	39.70	1-3/8"	Imperial
DAUNF1305-1208IN	1-1/16"-12	3/4"-16	11.13	9.93	41.90	1-3/8"	Imperial
DAUNF1305-1210IN	1-1/16"-12	7/8"-14	12.70	12.29	45.50	1-3/8"	Imperial
DAUNF1305-1212IN	1-1/16"-12	1-1/16"-12	15.09	15.47	46.50	1-3/8"	Imperial
DAUNF1305-1216IN	1-1/16"-12	1-5/16"-12	15.09	21.44	43.69	1-1/2"	Imperial
DAUNF1305-1220IN	1-1/16"-12	1-5/8"-12	15.09	24.92	25.40	1-7/8"	Imperial
DAUNF1305-1224IN	1-1/16"-12	1-7/8"-12	15.09	33.32	32.30	2-1/8"	Imperial
DAUNF1305-1232IN	1-1/16"-12	2-1/2"-12	15.09	44.50	36.30	1-3/4"	Imperial
DAUNF1305-1412	1-3/16"-12	1-1/16"-12	15.09	15.47	43.50	41 mm	Metric
DAUNF1305-1416	1-3/16"-12	1-5/16"-12	15.09	21.44	43.70	41 mm	Metric
DAUNF1305-1412IN	1-3/16"-12	1-1/16"-12	15.09	15.47	43.50	1-1/2"	Imperial
DAUNF1305-1416IN	1-3/16"-12	1-5/16"-12	15.09	21.44	43.70	1-1/2"	Imperial
DAUNF1305-1612	1-5/16"-12	1-1/16"-12	15.09	15.47	46.00	41 mm	Metric
DAUNF1305-1616	1-5/16"-12	1-5/16"-12	15.09	21.44	45.97	41 mm	Metric
DAUNF1305-1620	1-5/16"-12	1-5/8"-12	15.09	31.25	25.40	50 mm	Metric
DAUNF1305-1624	1-5/16"-12	1-7/8"-12	15.09	31.27	25.40	55 mm	Metric
DAUNF1305-1632	1-5/16"-12	2-1/2"-12	15.09	31.26	25.40	70 mm	Metric
DAUNF1305-1612IN	1-5/16"-12	1-1/16"-12	15.09	15.47	46.00	1-5/8"	Imperial
DAUNF1305-1616IN	1-5/16"-12	1-5/16"-12	15.09	21.44	45.97	1-5/8"	Imperial
DAUNF1305-1620IN	1-5/16"-12	1-5/8"-12	15.09	31.25	25.40	1-7/8"	Imperial
DAUNF1305-1624IN	1-5/16"-12	1-7/8"-12	15.09	31.27	25.40	2-1/8"	Imperial
DAUNF1305-1632IN	1-5/16"-12	2-1/2"-12	15.09	31.26	25.40	2-3/4"	Imperial
DAUNF1305-2012	1-5/8"-12	1-1/16"-12	15.09	15.47	50.80	50 mm	Metric
DAUNF1305-2016	1-5/8"-12	1-5/16"-12	15.09	21.44	50.00	50 mm	Metric
DAUNF1305-2020	1-5/8"-12	1-5/8"-12	15.09	27.38	50.00	50 mm	Metric
DAUNF1305-2024	1-5/8"-12	1-7/8"-12	15.09	33.32	44.45	55 mm	Metric
DAUNF1305-2032	1-5/8"-12	2-1/2"-12	15.09	39.22	25.40	70 mm	Metric
DAUNF1305-2012IN	1-5/8"-12	1-1/16"-12	15.09	15.47	50.80	2"	Imperial
DAUNF1305-2016IN	1-5/8"-12	1-5/16"-12	15.09	21.44	50.00	2"	Imperial
DAUNF1305-2020IN	1-5/8"-12	1-5/8"-12	15.09	27.38	50.00	2"	Imperial
DAUNF1305-2024IN	1-5/8"-12	1-7/8"-12	15.09	33.32	44.45	2-1/8"	Imperial
DAUNF1305-2032IN	1-5/8"-12	2-1/2"-12	15.09	39.22	25.40	2-3/4"	Imperial
DAUNF1305-2416	1-7/8"-12	1-5/16"-12	15.09	21.44	48.50	60 mm	Metric
DAUNF1305-2420	1-7/8"-12	1-5/8"-12	15.09	27.38	47.80	60 mm	Metric
DAUNF1305-2424	1-7/8"-12	1-7/8"-12	15.09	33.32	50.80	60 mm	Metric
DAUNF1305-2432	1-7/8"-12	2-1/2"-12	15.09	44.50	36.60	70 mm	Metric
DAUNF1305-2416IN	1-7/8"-12	1-5/16"-12	15.09	21.44	48.50	2-1/4"	Imperial
DAUNF1305-2420IN	1-7/8"-12	1-5/8"-12	15.09	27.38	47.80	2-1/4"	Imperial
DAUNF1305-2424IN	1-7/8"-12	1-7/8"-12	15.09	33.32	50.80	2-1/4"	Imperial
DAUNF1305-2432IN	1-7/8"-12	2-1/2"-12	15.09	44.50	36.60	2-3/4"	Imperial
DAUNF1305-3224	2-1/2"-12	1-7/8"-12	15.09	33.32	56.50	73 mm	Metric
DAUNF1305-3224IN	2-1/2"-12	1-7/8"-12	15.09	33.32	56.50	2-7/8"	Imperial

DAUNF105M

Straight SAE Female O Ring – BSPP male 60° Cone



- DME&JDE Code:** DAUNF105M
- Product Type:** Hydraulic adaptor
- Standard:** JIC and SAE-ORB
- Structure:** Straight
- Connection Type:** Female x Male
- Thread Types:** UNF x BSPP 60° Cone
- Sealing Method:** O Ring



PART NUMBER	F1 (Thread)	F2 (Thread)	C	D	L	S
#	UNF	BSPP	mm	mm	mm	mm
DAUNF105M-0402	7/16"-20	1/8"-28	9.00	3.50	28.80	17.46
DAUNF105M-0404	7/16"-20	1/4"-19	11.00	4.70	32.00	19.00
DAUNF105M-0406	7/16"-20	3/8"-19	12.00	7.90	32.00	22.00
DAUNF105M-0408	7/16"-20	1/2"-14	14.00	11.10	34.00	27.00
DAUNF105M-0504	1/2"-20	1/4"-19	11.00	4.70	33.00	19.00
DAUNF105M-0506	1/2"-20	3/8"-19	12.00	7.90	35.00	22.00
DAUNF105M-0604	9/16"-18	1/4"-19	11.00	4.70	34.00	20.64
DAUNF105M-0606	9/16"-18	3/8"-19	12.00	7.90	34.50	22.00
DAUNF105M-0608	9/16"-18	1/2"-14	14.00	11.10	35.50	27.00
DAUNF105M-0612	9/16"-18	3/4"-14	16.00	16.70	40.00	32.00
DAUNF105M-0806	3/4"-16	3/8"-19	12.00	7.90	37.00	25.40
DAUNF105M-0808	3/4"-16	1/2"-14	14.00	11.10	40.00	27.00
DAUNF105M-1008	7/8"-14	1/2"-14	14.00	11.10	41.00	28.58
DAUNF105M-1010	7/8"-14	5/8"-14	16.00	14.00	44.00	30.00
DAUNF105M-1212	1-1/16"-12	3/4"-14	16.00	16.70	48.00	34.93
DAUNF105M-1216	1-1/16"-12	1"-11	19.00	22.20	50.00	41.00
DAUNF105M-1608	1-5/16"-12	1/2"-14	14.00	11.10	47.00	41.00
DAUNF105M-1612	1-5/16"-12	3/4"-14	16.00	16.70	50.00	41.28
DAUNF105M-1616	1-5/16"-12	1"-11	19.00	22.20	53.00	41.28
DAUNF105M-2020	1-5/8"-12	1-1/4"-11	20.00	28.60	55.00	53.98
DAUNF105M-2024	1-5/8"-12	1-1/2"-11	22.00	33.30	57.00	55.00
DAUNF105M-2424	1-7/8"-12	1-1/2"-11	22.00	33.30	58.00	57.15

DAUNF106Q

Straight Connector SAE Female O Ring – BSPP Male + O Ring + Retaining Ring

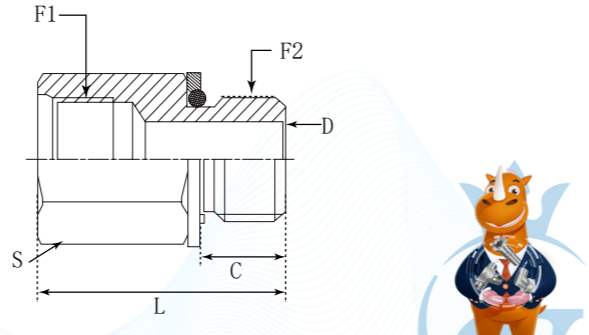
D	A	UN	F	1	06	Q
Company	Product Range	Thread Types	Connection Type	Adaptor Structure	Thread Types	Connection Type
DME	Adaptor	SAE UNF	Female	Straight	BSPP	Male + O Ring + Retaining Ring

German Technology Equipment

SHIELD FLEX

New-Standard

- DME&JDE Code: **DAUNF106Q**
- Product Type: **Hydraulic adaptor**
- Standard: **JIC and SAE-ORB**
- Structure: **Straight**
- Connection Type: **Female x Male**
- Thread Types: **UNF x BSPP**
- Sealing Method: **O Ring + Retaining Ring**



PART NUMBER	F1 (Thread)	F2 (Thread)	C	D	L	S
#	UNF	BSPP	mm	mm	mm	mm
DAUNF106Q-0404	7/16"-20	1/4"-19	11.20	7.50	30.50	19
DAUNF106Q-0604	9/16"-18	1/4"-19	11.20	7.50	32.00	22
DAUNF106Q-0606	9/16"-18	3/8"-19	11.20	7.50	31.50	22
DAUNF106Q-0808	3/4"-16	3/4"-16	11.13	9.93	35.60	30
DAUNF106Q-1008	7/8"-14	1/2"-14	14.50	12.30	41.50	30
DAUNF106Q-1208	1-1/16"-12	1/2"-14	14.50	12.30	45.00	36
DAUNF106Q-1212	1-1/16"-12	3/4"-14	14.50	15.50	46.50	36
DAUNF106Q-1616	1-5/16"-12	1"-11	18.60	21.40	50.50	46

DAUNF152Q

Straight Connector SAE Female O Ring – Metric Male + O Ring + Retaining Ring

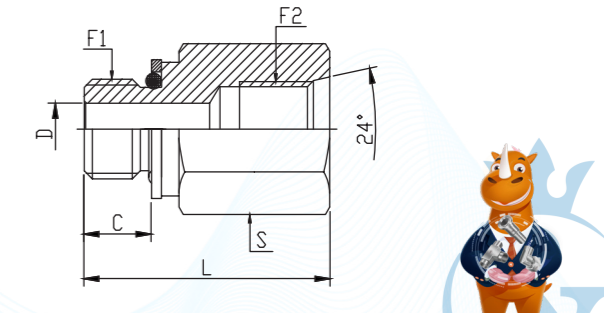
D	A	UN	F	1	52	Q
Company	Product Range	Thread Types	Connection Type	Adaptor Structure	Thread Types	Connection Type
DME	Adaptor	SAE UNF	Female	Straight	Metric	Male + O Ring + Retaining Ring

German Technology Equipment

SHIELD FLEX

New-Standard

- DME&JDE Code: **DAUNF152Q**
- Product Type: **Hydraulic adaptor**
- Standard: **JIC and SAE-ORB**
- Structure: **Straight**
- Connection Type: **Female x Male**
- Thread Types: **UNF x Metric**
- Sealing Method: **Long O Ring + Retaining Ring**



PART NUMBER	F1 (Thread)	F2 (Thread)	C	D	L	S
#	UNF	BSPP	mm	mm	mm	mm
DAUNF152Q-0410	7/16"-20	M10X1	7.54	3.18	28.70	19
DAUNF152Q-0614	9/16"-18	M14X1.5	11.00	7.00	31.60	22
DAUNF152Q-0814	3/4"-16	M14X1.5	11.00	6.00	33.50	24
DAUNF152Q-0818	3/4"-16	M18X1.5	12.50	10.00	36.80	27
DAUNF152Q-1018	7/8"-14	M18X1.5	12.50	10.00	38.10	30
DAUNF152Q-1022	7/8"-14	M22X1.5	13.00	12.00	38.00	30
DAUNF152Q-1227	1-1/16"-12	M27X2	18.50	15.00	47.00	36
DAUNF152Q-1233	1-1/16"-12	M33X2	18.50	21.44	43.70	41
DAUNF152Q-1633	1-5/16"-12	M33X2	18.00	13.00	46.00	41



DAUNF128M

Straight Connector SAE Female O Ring – NPTF 60° Male

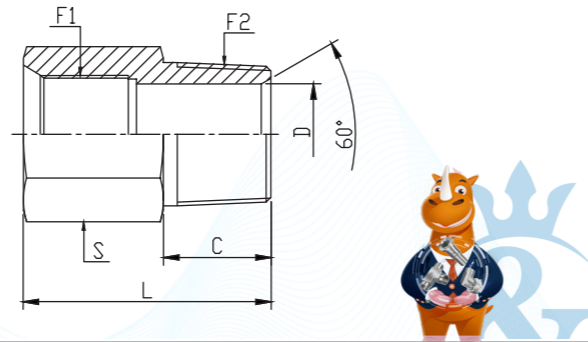
D	A	UN	F	1	28	M
Company	Product Range	Thread Types	Connection Type	Adaptor Structure	Thread Types	Connection Type
DME	Adaptor	SAE UNF	Female	Straight	NPTF	Male

German Technology Equipment

SHIELD FLEX

New-Standard

- DME&JDE Code: **DAUNF128M**
- Product Type: **Hydraulic adaptor**
- Adaptor Standard: **JIC and SAE-ORB**
- Structure: **Straight**
- Connection Type: **Female x Male**
- Thread Types: **UNF x NPTF 60°**
- Sealing Method: **O Ring**



PART NUMBER	F1 (Thread)	F2 (Thread)	C	D	L	S	Hex
#	UNF	NPTF	mm	mm	mm	-	-
DAUNF128M-0402IN	7/16"-20	1/8"-27	9.65	4.78	28.70	11/16"	Imperial
DAUNF128M-0404IN	7/16"-20	1/4"-18	14.22	7.14	33.50	11/16"	Imperial
DAUNF128M-0406IN	7/16"-20	3/8"-18	14.22	10.31	28.70	11/16"	Imperial
DAUNF128M-0502IN	1/2"-20	1/8"-27	9.65	4.78	34.80	3/4"	Imperial
DAUNF128M-0504IN	1/2"-20	1/4"-18	14.22	7.14	35.30	3/4"	Imperial
DAUNF128M-0604IN	9/16"-18	1/4"-18	14.22	7.14	40.39	7/8"	Imperial
DAUNF128M-0606IN	9/16"-18	3/8"-18	14.22	10.31	35.10	13/16"	Imperial
DAUNF128M-0608IN	9/16"-18	1/2"-14	19.05	13.49	40.13	7/8"	Imperial
DAUNF128M-0612IN	9/16"-18	3/4"-14	19.05	18.26	39.00	1-1/8"	Imperial

PART NUMBER	F1 (Thread)	F2 (Thread)	C	D	L	S	Hex
#	UNF	NPTF	mm	mm	mm	-	-
DAUNF128M-0806IN	3/4"-16	3/8"-18	14.22	10.31	38.10	1"	Imperial
DAUNF128M-0808IN	3/4"-16	1/2"-14	19.05	13.49	41.90	1"	Imperial
DAUNF128M-0812IN	3/4"-16	3/4"-14	19.05	17.50	42.90	1-1/8"	Imperial
DAUNF128M-1006IN	7/8"-14	3/8"-18	14.22	10.31	41.70	1-1/8"	Imperial
DAUNF128M-1008IN	7/8"-14	1/2"-14	19.05	13.50	46.73	1-1/8"	Imperial
DAUNF128M-1012IN	7/8"-14	3/4"-14	19.05	18.26	43.70	1-1/8"	Imperial
DAUNF128M-1206IN	1-1/16"-12	3/8"-18	14.22	10.31	44.90	1-3/8"	Imperial
DAUNF128M-1208IN	1-1/16"-12	1/2"-14	19.05	13.50	50.28	1-3/8"	Imperial
DAUNF128M-1212IN	1-1/16"-12	3/4"-14	19.05	18.26	50.30	1-3/8"	Imperial
DAUNF128M-1216IN	1-1/16"-12	1"-11-1/2	23.88	23.83	54.10	1-3/8"	Imperial
DAUNF128M-1412IN	1-3/16"-12	3/4"-14	19.05	18.26	48.51	1-5/8"	Imperial
DAUNF128M-1612IN	1-5/16"-12	3/4"-14	19.05	18.26	51.60	1-5/8"	Imperial
DAUNF128M-1616IN	1-5/16"-12	1"-11-1/2	23.88	23.83	56.39	1-5/8"	Imperial
DAUNF128M-1620IN	1-5/16"-12	1-1/4"-11-1/2	24.64	31.75	56.00	1-3/4"	Imperial
DAUNF128M-1624IN	1-5/16"-12	1-1/2"-11-1/2	25.40	31.27	54.86	2"	Imperial
DAUNF128M-2016IN	1-5/8"-12	1"-11-1/2	23.88	23.83	56.40	2-1/8"	Imperial
DAUNF128M-2020IN	1-5/8"-12	1-1/4"-11-1/2	24.64	31.75	59.40	2-1/8"	Imperial
DAUNF128M-2032IN	1-5/8"-12	2"-11-1/2	26.16	49.23	60.00	2-1/2"	Imperial
DAUNF128M-2424IN	1-7/8"-12	1-1/2"-11-1/2	25.40	38.10	58.40	2-1/4"	Imperial
DAUNF128M-3232IN	2-1/2"-12	2"-11-1/2	26.16	49.23	67.60	2-7/8"	Imperial



DAUNF130F

Straight Connector SAE Female O Ring – SAE Female O Ring

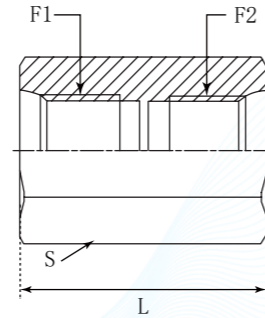
D	A	UN	F	1	30	F
Company	Product Range	Thread Types	Connection Type	Adaptor Structure	Thread Types	Connection Type
DME	Adaptor	SAE UNF	Female	Straight	NPTF	Female

German Technology Equipment

SHIELD FLEX

New-Standard

- DME&JDE Code: **DAUNF130F**
- Product Type: **Hydraulic adaptor**
- Standard: **JIC and SAE-ORB**
- Structure: **Straight**
- Connection Type: **Female x Female**
- Thread Types: **NPTF x NPTF**
- Other Features: **Hexagon**



PART NUMBER	F1 (Thread)	F2 (Thread)	L	S	Hex
#	UNF	UNF	mm	mm	-
DAUNF130F-0404	7/16"-20	7/16"-20	29.00	17 mm	Metric
DAUNF130F-0404IN	7/16"-20	7/16"-20	29.00	11/16"	Imperial
DAUNF130F-0606	9/16"-18	9/16"-18	32.00	22 mm	Metric
DAUNF130F-0606IN	9/16"-18	9/16"-18	32.00	13/16"	Imperial
DAUNF130F-0808	3/4"-16	3/4"-16	36.10	27 mm	Metric
DAUNF130F-0808IN	3/4"-16	3/4"-16	36.10	1-1/8"	Imperial
DAUNF130F-1010	7/8"-14	7/8"-14	41.50	32 mm	Metric
DAUNF130F-1010IN	7/8"-14	7/8"-14	41.50	1-1/4"	Imperial
DAUNF130F-1212	1-1/16"-12	1-1/16"-12	47.00	36 mm	Metric
DAUNF130F-1212IN	1-1/16"-12	1-1/16"-12	47.00	1-3/8"	Imperial
DAUNF130F-1616	1-5/16"-12	1-5/16"-12	49.50	41 mm	Metric
DAUNF130F-1616IN	1-5/16"-12	1-5/16"-12	49.50	1-5/8"	Imperial
DAUNF130F-2020	1-5/8"-12	1-5/8"-12	53.34	50 mm	Metric
DAUNF130F-2020IN	1-5/8"-12	1-5/8"-12	53.34	2"	Imperial

DAUNF128F

Straight Connector SAE Female O Ring – NPTF Female

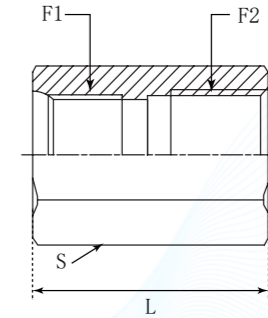
D	A	UN	F	1	28	F
Company	Product Range	Thread Types	Connection Type	Adaptor Structure	Thread Types	Connection Type
DME	Adaptor	SAE UNF	Female	Straight	NPTF	Female

German Technology Equipment

SHIELD FLEX

New-Standard

- DME&JDE Code: **DAUNF128F**
- Product Type: **Hydraulic adaptor**
- Standard: **JIC and SAE-ORB**
- Structure: **Straight**
- Connection Type: **Female x Female**
- Thread Types: **UNF x NPTF**
- Sealing Method: **O Ring**



PART NUMBER	F1 (Thread)	F2 (Thread)	L	S	Hex
#	UNF	NPTF	mm	-	-
DAUNF128F-0404IN	7/16"-20	1/4"-18	28.60	3/4"	Imperial
DAUNF128F-0606IN	9/16"-18	3/8"-18	33.50	7/8"	Imperial
DAUNF128F-0806IN	3/4"-16	3/8"-18	38.50	1"	Imperial
DAUNF128F-0808IN	3/4"-16	1/2"-14	38.10	1"	Imperial
DAUNF128F-1008IN	7/8"-14	1/2"-14	43.70	1-1/8"	Imperial
DAUNF128F-1012IN	7/8"-14	3/4"-14	47.00	1-3/8"	Imperial
DAUNF128F-1212IN	1-1/16"-12	3/4"-14	47.00	1-3/8"	Imperial
DAUNF128F-1616IN	1-5/16"-12	1"-11-1/2	53.50	1-5/8"	Imperial



DAUNF1251

Straight Connector SAE Female O Ring – JIC Swivel Female 74°

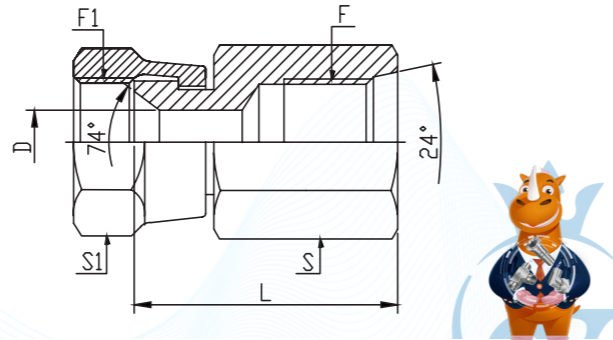
D	A	UN	F	1	251
Company	Product Range	Thread Types	Connection Type	Adaptor Structure	Connection Type
DME	Adaptor	SAE UNF	Female	Straight	JIC Swivel Female

German Technology Equipment

SHIELD FLEX

New-Standard

- DME&JDE Code: DAUNF1251
- Product Type: Hydraulic adaptor
- Standard: JIC and SAE-ORB
- Structure: Straight
- Connection Type: Female x Swivel Female
- Thread Types: UNF x UNF
- Sealing Method: O Ring



PART NUMBER	F (Thread)	F1 (Thread)	D	L	S	S1	Hex
#	UNF	UNF	mm	mm	-	-	-
DAUNF1251-0404	7/16"-20	7/16"-20	4.37	26.50	17 mm	14 mm	Metric
DAUNF1251-0404IN	7/16"-20	7/16"-20	4.37	26.50	11/16"	9/16"	Imperial
DAUNF1251-0606	9/16"-18	9/16"-18	7.54	30.50	22 mm	19 mm	Metric
DAUNF1251-0606IN	9/16"-18	9/16"-18	7.54	30.50	13/16"	11/16"	Imperial
DAUNF1251-0808	3/4"-16	3/4"-16	9.93	35.80	27 mm	22 mm	Metric
DAUNF1251-0808IN	3/4"-16	3/4"-16	9.93	35.80	1"	7/8"	Imperial
DAUNF1251-1010	7/8"-14	7/8"-14	12.29	35.50	27 mm	27 mm	Metric
DAUNF1251-1010IN	7/8"-14	7/8"-14	12.29	35.50	1-1/8"	1"	Imperial
DAUNF1251-1212	1-1/16"-12	1-1/16"-12	15.47	40.30	35 mm	32 mm	Metric
DAUNF1251-1212IN	1-1/16"-12	1-1/16"-12	15.47	40.30	1-3/8"	1-1/4"	Imperial
DAUNF1251-1616	1-5/16"-12	1-5/16"-12	21.44	42.00	41 mm	41 mm	Metric
DAUNF1251-1616IN	1-5/16"-12	1-5/16"-12	21.44	42.00	1-5/8"	1-3/8"	Imperial

DAUNF1241

Straight Connector SAE Female O Ring – ORFS Swivel Female

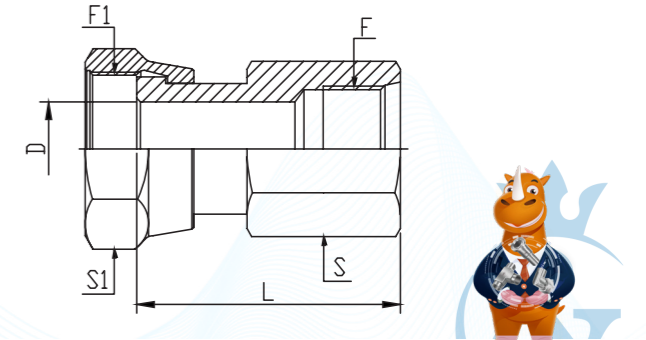
D	A	UN	F	1	241
Company	Product Range	Thread Types	Connection Type	Adaptor Structure	Connection Type
DME	Adaptor	SAE UNF	Female	Straight	ORFS Swivel Female

German Technology Equipment

SHIELD FLEX

New-Standard

- DME&JDE Code: DAUNF1241
- Product Type: Hydraulic adaptor
- Standard: JIC and SAE-ORB
- Structure: Straight
- Connection Type: Female x Swivel Female
- Thread Types: UNF x UNF
- Sealing Method: O Ring



PART NUMBER	F (Thread)	F1 (Thread)	D	L	S	S1	Hex
#	UNF	UNF	mm	mm	-	-	-
DAUNF1241-0404	7/16"-20	9/16"-18	4.19	36.50	17 mm	17 mm	Metric
DAUNF1241-0406	7/16"-20	11/16"-16	6.71	38.50	19 mm	22 mm	Metric
DAUNF1241-0408	7/16"-20	13/16"-16	9.09	41.00	22 mm	24 mm	Metric
DAUNF1241-0404IN	7/16"-20	9/16"-18	4.19	36.50	11/16"	11/16"	Imperial
DAUNF1241-0406IN	7/16"-20	11/16"-16	6.71	38.50	3/4"	13/16"	Imperial
DAUNF1241-0408IN	7/16"-20	13/16"-16	9.09	41.00	7/8"	15/16"	Imperial
DAUNF1241-0606	9/16"-18	11/16"-16	6.71	40.00	19 mm	22 mm	Metric
DAUNF1241-0606IN	9/16"-18	11/16"-16	6.71	40.00	3/4"	13/16"	Imperial
DAUNF1241-0808	3/4"-16	3/4"-16	9.09	55.00	27 mm	24 mm	Metric
DAUNF1241-0808IN	3/4"-16	3/4"-16	9.09	55.00	1"	15/16"	Imperial
DAUNF1241-1212	1-1/16"-12	1-1/16"-12	13.89	72.50	36 mm	36 mm	Metric
DAUNF1241-1212IN	1-1/16"-12	1-1/16"-12	13.89	72.50	1-3/8"	1-3/8"	Imperial
DAUNF1241-1616	1-5/16"-12	1-5/16"-12	19.89	75.50	41 mm	41 mm	Metric
DAUNF1241-1616IN	1-5/16"-12	1-5/16"-12	19.89	75.50	1-5/8"	1-5/8"	Imperial

DAUNM4305

45° Adjustable Elbow SAE Male O Ring – SAE Male O Ring

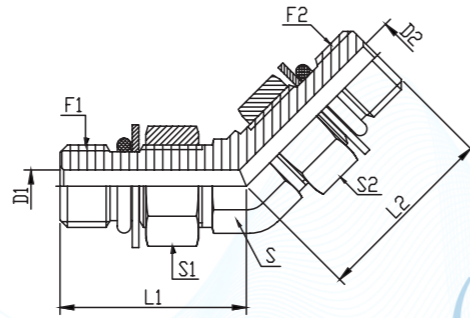
D	A	UN	F	4	30	5
Company	Product Range	Thread Types	Connection Type	Adaptor Structure	Thread Types	Connection Type
DME	Adaptor	SAE UNF	Female	45° Elbow	SAE UNF	Male O Ring

German Technology Equipment

SHIELD FLEX

New-Standard

- DME&JDE Code: **DAUNM4305**
- Product Type: **Hydraulic adaptor**
- Standard: **JIC and SAE-ORB**
- Structure: **45° Elbow**
- Connection Type: **Adjustable Male x Male**
- Thread Types: **UNF x UNF**
- Sealing Method: **O Ring**



PART NUMBER	F1 (Thread)	F2 (Thread)	D1	D2	L1	L2	S	S1	S2	Hex
#	UNF	UNF	mm	mm	mm	mm	-	-	-	-
DAUNM4305-0404	7/16"-20	7/16"-20	4.37	4.37	26.70	26.70	11 mm	14 mm	14 mm	Metric
DAUNM4305-0404IN	7/16"-20	7/16"-20	4.37	4.37	26.70	26.70	7/16"	9/16"	9/16"	Imperial
DAUNM4305-0606	9/16"-18	9/16"-18	7.54	7.54	29.00	29.00	14 mm	17 mm	17 mm	Metric
DAUNM4305-0606IN	9/16"-18	9/16"-18	7.54	7.54	29.00	29.00	9/16"	11/16"	11/16"	Imperial
DAUNM4305-0808	3/4"-16	3/4"-16	9.93	9.93	33.00	33.00	19 mm	17 mm	17 mm	Metric
DAUNM4305-0808IN	3/4"-16	3/4"-16	9.93	9.93	33.00	33.00	3/4"	7/8"	7/8"	Imperial
DAUNM4305-1008	7/8"-14	3/4"-16	12.29	9.93	38.60	34.50	17 mm	24 mm	17 mm	Metric
DAUNM4305-1010	7/8"-14	7/8"-14	12.29	12.29	38.60	38.60	17 mm	24 mm	24 mm	Metric
DAUNM4305-1008IN	7/8"-14	3/4"-16	12.29	9.93	38.60	34.50	7/8"	1"	7/8"	Imperial
DAUNM4305-1010IN	7/8"-14	7/8"-14	12.29	12.29	38.60	38.60	7/8"	1"	1"	Imperial
DAUNM4305-1212	1-1/16"-12	1-1/16"-12	15.47	15.47	43.90	43.90	27 mm	32 mm	32 mm	Metric
DAUNM4305-1212IN	1-1/16"-12	1-1/16"-12	15.47	15.47	43.90	43.90	1-1/16"	1-1/4"	1-1/4"	Imperial
DAUNM4305-1616	1-5/16"-12	1-5/16"-12	21.44	21.44	47.20	47.20	35 mm	38 mm	38 mm	Metric
DAUNM4305-1616IN	1-5/16"-12	1-5/16"-12	21.44	21.44	47.20	47.20	1-5/16"	1-1/2"	1-1/2"	Imperial
DAUNM4305-2020	1-5/8"-12	1-5/8"-12	27.38	27.38	48.50	48.50	42 mm	50 mm	50 mm	Metric
DAUNM4305-2020IN	1-5/8"-12	1-5/8"-12	27.38	27.38	48.50	48.50	1-5/8"	1-7/8"	1-7/8"	Imperial

DAUNM9305

90° Adjustable Elbow SAE Male O Ring – SAE Male O Ring

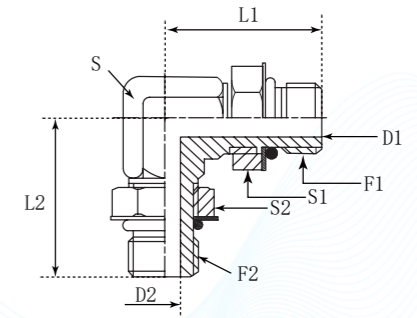
D	A	UN	M	9	30	5
Company	Product Range	Thread Types	Connection Type	Adaptor Structure	Thread Types	Connection Type
DME	Adaptor	SAE UNF	Male	90° Elbow	SAE UNF	Male O Ring

German Technology Equipment

SHIELD FLEX

New-Standard

- DME&JDE Code: **DAUNM9305**
- Product Type: **Hydraulic adaptor**
- Standard: **JIC and SAE-ORB**
- Structure: **90° Elbow**
- Connection Type: **Adjustable Male x Male**
- Thread Types: **UNF x UNF**
- Sealing Method: **O Ring**



PART NUMBER	F1 (Thread)	F2 (Thread)	L1	L2	D1	D2	S	S1	S2	Hex
#	UNF	UNF	mm	mm	mm	mm	-	-	-	-
DAUNM9305-0404IN	7/16"-20	7/16"-20	26.20	26.20	4.37	4.37	7/16"	9/16"	9/16"	Imperial
DAUNM9305-0604IN	9/16"-18	7/16"-20	31.80	31.00	7.54	4.37	9/16"	11/16"	9/16"	Imperial
DAUNM9305-0606IN	9/16"-18	9/16"-18	31.80	31.80	7.54	7.54	9/16"	11/16"	11/16"	Imperial
DAUNM9305-0806IN	3/4"-16	9/16"-18	36.80	34.04	9.93	7.54	3/4"	7/8"	11/16"	Imperial
DAUNM9305-0808IN	3/4"-16	3/4"-16	36.80	36.80	9.93	9.93	3/4"	7/8"	7/8"	Imperial
DAUNM9305-1008IN	7/8"-14	3/4"-16	43.20	39.10	12.29	9.93	7/8"	1"	7/8"	Imperial
DAUNM9305-1212IN	1-1/16"-12	1-1/16"-12	49.30	49.30	15.47	15.47	1-1/16"	1-1/4"	1-1/4"	Imperial
DAUNM9305-1616IN	1-5/16"-12	1-5/16"-12	52.10	52.10	21.44	21.44	1-5/16"	1-1/2"	1-1/2"	Imperial
DAUNM9305-2020IN	1-5/8"-12	1-5/8"-12	57.20	57.20	27.38	27.38	1-5/8"	1-7/8"	1-7/8"	Imperial
DAUNM9305-2424IN	1-7/8"-12	1-7/8"-12	60.70	60.70	33.32	33.32	1-7/8"	2-1/8"	2-1/8"	Imperial
DAUNM9305-3232IN	2-1/2"-12	2-1/2"-12	73.40	73.40	45.24	45.24	2-1/2"	2-3/4"	2-3/4"	Imperial

DAUNF9305

90° Adjustable Elbow SAE Solid Female – SAE Male + O Ring + Retaining Ring

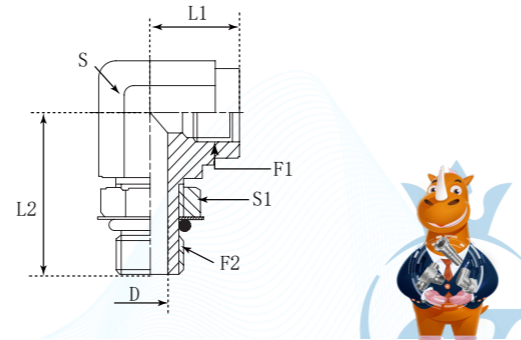
D	A	UN	F	9	30	5
Company	Product Range	Thread Types	Connection Type	Adaptor Structure	Thread Types	Connection Type
DME	Adaptor	SAE UNF	Female	90° Elbow	SAE UNF	Male + O Ring

German Technology Equipment

SHIELD FLEX

New-Standard

- DME&JDE Code: DAUNF9305
- Product Type: Hydraulic adaptor
- Standard: JIC and SAE-ORB
- Structure: 90° Elbow
- Connection Type: Adjustable Solid Female x Male
- Thread Types: UNF x UNF
- Sealing Method: O Ring + Retaining Ring



PART NUMBER	F1 (Thread)	F2 (Thread)	D1	D2	L1	S	S1	Hex
#	UNF	UNF	mm	mm	mm	-	-	-
DAUNF9305-0404	7/16"-20	7/16"-20	21.10	32.00	4.37	19 mm	14 mm	Metric
DAUNF9305-0406	7/16"-20	9/16"-18	24.00	35.80	7.54	19 mm	17 mm	Metric
DAUNF9305-0404IN	7/16"-20	7/16"-20	21.10	32.00	4.37	3/4"	9/16"	Imperial
DAUNF9305-0406IN	7/16"-20	9/16"-18	24.00	35.80	7.54	3/4"	11/16"	Imperial
DAUNF9305-0604	9/16"-18	7/16"-20	25.90	35.00	4.37	22 mm	14 mm	Metric
DAUNF9305-0606	9/16"-18	9/16"-18	25.90	35.80	7.54	22 mm	17 mm	Metric
DAUNF9305-0608	9/16"-18	3/4"-16	25.90	40.39	9.93	22 mm	22 mm	Metric
DAUNF9305-0604IN	9/16"-18	7/16"-20	25.90	35.00	4.37	7/8"	9/16"	Imperial
DAUNF9305-0606IN	9/16"-18	9/16"-18	25.90	35.80	7.54	7/8"	11/16"	Imperial
DAUNF9305-0608IN	9/16"-18	3/4"-16	25.90	40.39	9.93	7/8"	7/8"	Imperial
DAUNF9305-0806	3/4"-16	9/16"-18	27.90	37.90	7.54	27 mm	17 mm	Metric
DAUNF9305-0808	3/4"-16	3/4"-16	22.35	40.39	9.93	27 mm	22 mm	Metric
DAUNF9305-0810	3/4"-16	7/8"-14	31.20	45.20	12.29	27 mm	25 mm	Metric
DAUNF9305-0806IN	3/4"-16	9/16"-18	27.90	37.90	7.54	1-1/16"	11/16"	Imperial
DAUNF9305-0808IN	3/4"-16	3/4"-16	22.35	40.39	9.93	1-1/16"	7/8"	Imperial
DAUNF9305-0810IN	3/4"-16	7/8"-14	31.20	45.20	12.29	1-1/16"	1"	Imperial
DAUNF9305-1010	7/8"-14	7/8"-14	31.20	45.20	12.29	27 mm	25 mm	Metric
DAUNF9305-1010IN	7/8"-14	7/8"-14	31.20	45.20	12.29	1-1/16"	1"	Imperial
DAUNF9305-1212	1-1/16"-12	1-1/16"-12	30.73	50.80	15.47	35 mm	32 mm	Metric
DAUNF9305-1212IN	1-1/16"-12	1-1/16"-12	30.73	50.80	15.47	1-5/16"	1-1/4"	Imperial
DAUNF9305-1616	1-5/16"-12	1-5/16"-12	41.20	57.20	21.44	42 mm	41 mm	Metric
DAUNF9305-1616IN	1-5/16"-12	1-5/16"-12	41.20	57.20	21.44	1-5/8"	1-1/2"	Imperial
DAUNF9305-2020	1-5/8"-12	1-5/8"-12	41.40	60.70	27.38	50 mm	50 mm	Metric
DAUNF9305-2020IN	1-5/8"-12	1-5/8"-12	41.40	60.70	27.38	1-7/8"	1-7/8"	Imperial

DAUNFT305

Branch Adjustable Tee SAE Female O Ring – SAE Male

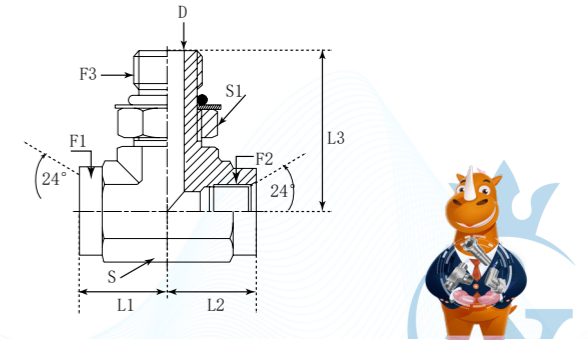
D	A	UN	F	T	30	5
Company	Product Range	Thread Types	Connection Type	Adaptor Structure	Thread Types	Connection Type
DME	Adaptor	SAE UNF	Female	Branch Tee	SAE UNF	Male + O Ring

German Technology Equipment

SHIELD FLEX

New-Standard

- DME&JDE Code: DAUNFT305
- Product Type: Hydraulic adaptor
- Standard: JIC and SAE-ORB
- Structure: Branch Tee
- Connection Type: Adjustable Female x Male
- Thread Types: UNF x UNF x UNF
- Sealing Method: O Ring



PART NUMBER	F1 (Thread)	F2 (Thread)	F3 (Thread)	D	L1	L2	L3	S1	S2	Hex
#	UNF	UNF	UNF	mm	mm	mm	mm	-	-	-
DAUNFT305-0404	7/16"-20	7/16"-20	7/16"-20	4.37	16.00	16.00	31.20	19 mm	14 mm	Metric
DAUNFT305-0404IN	7/16"-20	7/16"-20	7/16"-20	4.37	16.00	16.00	31.20	3/4"	9/16"	Imperial
DAUNFT305-0606	9/16"-18	9/16"-18	9/16"-18	7.54	19.05	19.05	35.05	22 mm	17 mm	Metric
DAUNFT305-0606IN	9/16"-18	9/16"-18	9/16"-18	7.54	19.05	19.05	35.05	7/8"	11/16"	Imperial
DAUNFT305-0808	3/4"-16	3/4"-16	3/4"-16	9.93	22.40	22.40	40.40	27 mm	22 mm	Metric
DAUNFT305-0808IN	3/4"-16	3/4"-16	3/4"-16	9.93	22.40	22.40	40.40	1-1/16"	7/8"	Imperial
DAUNFT305-1010	7/8"-14	7/8"-14	7/8"-14	12.29	25.90	25.90	46.00	27 mm	25 mm	Metric
DAUNFT305-1010IN	7/8"-14	7/8"-14	7/8"-14	12.29	25.90	25.90	46.00	1-1/16"	1"	Imperial
DAUNFT305-1212	1-1/16"-12	1-1/16"-12	1-1/16"-12	15.47	30.70	30.70	30.70	35 mm	32 mm	Metric
DAUNFT305-1212IN	1-1/16"-12	1-1/16"-12	1-1/16"-12	15.47	30.70	30.70	30.70	1-5/16"	1-1/4"	Imperial
DAUNFT305-1616	1-5/16"-12	1-5/16"-12	1-5/16"-12	21.44	33.80	33.80	57.40	42 mm	41 mm	Metric
DAUNFT305-1616IN	1-5/16"-12	1-5/16"-12	1-5/16"-12	21.44	33.80	33.80	57.40	1-5/8"	1-1/2"	Imperial
DAUNFT305-2020	1-5/8"-12	1-5/8"-12	1-5/8"-12	27.38	43.20	43.20	60.70	50 mm	50 mm	Metric
DAUNFT305-2020IN	1-5/8"-12	1-5/8"-12	1-5/8"-12	27.38	43.20	43.20	60.70	1-7/8"	1-7/8"	Imperial

DAUNFL305

Run Adjustable Tee SAE Female O Ring – SAE Male + O Ring

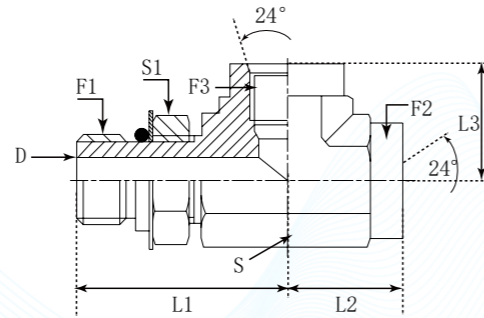
D	A	UN	F	L	30	5
Company	Product Range	Thread Types	Connection Type	Adaptor Structure	Thread Types	Connection Type
DME	Adaptor	SAE UNF	Female	Run Tee	SAE UNF	Male + O Ring

German Technology Equipment

SHIELD FLEX

New-Standard

- DME&JDE Code: **DAUNFL305**
- Product Type: **Hydraulic adaptor**
- Standard: **JIC and SAE-ORB**
- Structure: **Run Tee**
- Connection Type: **Adjustable Female x Male**
- Thread Types: **UNF x UNF x UNF**
- Sealing Method: **O Ring**



PART NUMBER	F1 (Thread)	F2 (Thread)	F3 (Thread)	D	L1	L2	L3	S	S1	Hex
#	UNF	UNF	UNF	mm	mm	mm	mm	-	-	-
DAUNFL305-0404	7/16"-20	7/16"-20	7/16"-20	4.37	31.80	18.80	18.80	19 mm	14 mm	Metric
DAUNFL305-0404IN	7/16"-20	7/16"-20	7/16"-20	4.37	31.80	18.80	18.80	3/4"	9/16"	Imperial
DAUNFL305-0606	9/16"-18	9/16"-18	9/16"-18	7.54	35.05	21.84	21.84	22 mm	17 mm	Metric
DAUNFL305-0606IN	9/16"-18	9/16"-18	9/16"-18	7.54	35.05	21.84	21.84	7/8"	11/16"	Imperial
DAUNFL305-0808	3/4"-16	3/4"-16	3/4"-16	9.93	40.39	22.35	22.35	27 mm	22 mm	Metric
DAUNFL305-0808IN	3/4"-16	3/4"-16	3/4"-16	9.93	40.39	22.35	22.35	1-1/16"	7/8"	Imperial
DAUNFL305-1010	7/8"-14	7/8"-14	7/8"-14	12.29	45.20	31.20	31.20	27 mm	25 mm	Metric
DAUNFL305-1010IN	7/8"-14	7/8"-14	7/8"-14	12.29	45.20	31.20	31.20	1-1/16"	1"	Imperial
DAUNFL305-1212	1-1/16"-12	1-1/16"-12	1-1/16"-12	15.47	51.40	35.30	35.30	35 mm	32 mm	Metric
DAUNFL305-1212IN	1-1/16"-12	1-1/16"-12	1-1/16"-12	15.47	51.40	35.30	35.30	1-5/16"	1-1/4"	Imperial
DAUNFL305-1616	1-5/16"-12	1-5/16"-12	1-5/16"-12	21.44	57.20	38.60	38.60	42 mm	41 mm	Metric
DAUNFL305-1616IN	1-5/16"-12	1-5/16"-12	1-5/16"-12	21.44	57.20	38.60	38.60	1-5/8"	1-1/2"	Imperial
DAUNFL305-2020	1-5/8"-12	1-5/8"-12	1-5/8"-12	27.38	60.70	43.20	43.20	50 mm	50 mm	Metric
DAUNFL305-2020IN	1-5/8"-12	1-5/8"-12	1-5/8"-12	27.38	60.70	43.20	43.20	1-7/8"	1-7/8"	Imperial

DAUNFT30F

Branch Tee Connector SAE Female O Ring – SAE Female O Ring

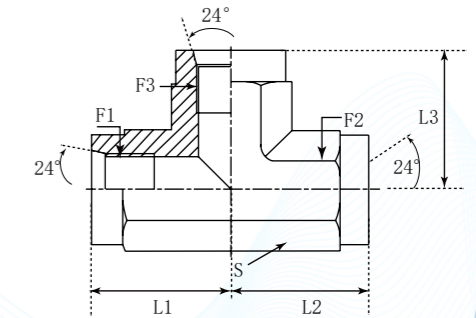
D	A	UN	F	T	30	F
Company	Product Range	Thread Types	Connection Type	Adaptor Structure	Thread Types	Connection Type
DME	Adaptor	SAE UNF	Female	Branch Tee	SAE UNF	Female

German Technology Equipment

SHIELD FLEX

New-Standard

- DME&JDE Code: **DAUNFT30F**
- Product Type: **Hydraulic adaptor**
- Standard: **JIC and SAE-ORB**
- Structure: **Branch Tee**
- Connection Type: **Female x Female x Female**
- Thread Types: **UNF x UNF x UNF**
- Sealing Method: **O Ring**



PART NUMBER	F1 (Thread)	F2 (Thread)	F3 (Thread)	L1	L2	L3	S	Hex
#	UNF	UNF	UNF	mm	mm	mm	-	-
DAUNFT30F-0404	7/16"-20	7/16"-20	7/16"-20	18.80	18.80	18.80	19 mm	Metric
DAUNFT30F-0404IN	7/16"-20	7/16"-20	7/16"-20	18.80	18.80	18.80	3/4"	Imperial
DAUNFT30F-0606	9/16"-18	9/16"-18	9/16"-18	21.84	21.84	21.84	22 mm	Metric
DAUNFT30F-0606IN	9/16"-18	9/16"-18	9/16"-18	21.84	21.84	21.84	7/8"	Imperial
DAUNFT30F-0808	3/4"-16	3/4"-16	3/4"-16	26.16	26.16	26.16	27 mm	Metric
DAUNFT30F-0808IN	3/4"-16	3/4"-16	3/4"-16	26.16	26.16	26.16	1-1/16"	Imperial
DAUNFT30F-1010	7/8"-14	7/8"-14	7/8"-14	29.97	29.97	29.97	27 mm	Metric
DAUNFT30F-1010IN	7/8"-14	7/8"-14	7/8"-14	29.97	29.97	29.97	1-1/16"	Imperial
DAUNFT30F-1212	1-1/16"-12	1-1/16"-12	1-1/16"-12	35.30	35.30	35.30	35 mm	Metric
DAUNFT30F-1212IN	1-1/16"-12	1-1/16"-12	1-1/16"-12	35.30	35.30	35.30	1-5/16"	Imperial
DAUNFT30F-1616	1-5/16"-12	1-5/16"-12	1-5/16"-12	38.60	38.60	38.60	42 mm	Metric
DAUNFT30F-1616IN	1-5/16"-12	1-5/16"-12	1-5/16"-12	38.60	38.60	38.60	1-5/8"	Imperial
DAUNFT30F-2020	1-5/8"-12	1-5/8"-12	1-5/8"-12	41.40	41.40	41.40	50 mm	Metric
DAUNFT30F-2020IN	1-5/8"-12	1-5/8"-12	1-5/8"-12	41.40	41.40	41.40	1-7/8"	Imperial





Hydraulic Adaptors

ORFS »

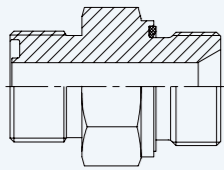


<p>DAOFD0000 P398</p> <p>ORFS Tube Nut</p>	<p>DAOFR000B P399</p> <p>Brazed Sleeve Sleeve ORFS - Socket Welding not galvanized</p>	<p>DAOFR0000 P400</p> <p>Sleeve</p>	<p>DAOF51245 P401</p> <p>Straight Connector ORFS Male - ORFS Male</p>
<p>DAOF5105M P402</p> <p>Straight Connector ORFS Male - BSPP 60° Male</p>	<p>DAOF5107M P403</p> <p>Straight Connector ORFS Male - BSPT 60° Male</p>	<p>DAOF5128M P404</p> <p>Straight Connector ORFS Male - NPTF 60° Male</p>	<p>DAOF5152M P406</p> <p>Straight Connector ORFS Male - Metric 60° Male Cone</p>
<p>DAOF5125M P407</p> <p>Straight Connector ORFS Male - JIC 74° Male</p>	<p>DAOF5105JM P408</p> <p>Straight Connector ORFS Male - JIS BSPP Male 60° Cone</p>	<p>DAOF5105F P409</p> <p>Straight Connector ORFS Male - BSPP Fixed Female</p>	<p>DAOF51305 P410</p> <p>Straight Connector ORFS Male - SAE Male + O Ring</p>
<p>DAOF5106Q P412</p> <p>Straight ORFS Male - BSPP Male + Retaining Ring + O Ring</p>	<p>DAOF51065 P413</p> <p>Straight Connector ORFS Male - BSPP Male + O Ring</p>	<p>DAOF5152Q P414</p> <p>Straight ORFS Male - Metric Male + Retaining Ring + O Ring</p>	<p>DAOF51525 P415</p> <p>Straight Connector ORFS Male - Metric Male + O Ring</p>



DAOF51061

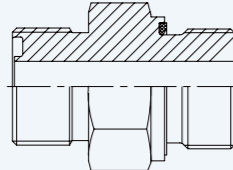
P416



Straight Connector ORFS Male -
BSPP Male with ED Ring

DAOF51521

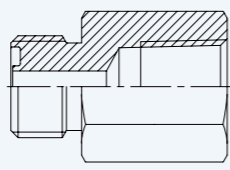
P417



Straight Connector ORFS Male -
Metric Male with ED Ring

DAOF5128F

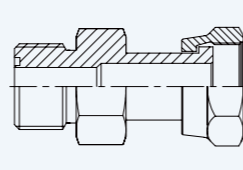
P418



Straight Connector ORFS Male - NPTF
Fixed Female

DAOF51241

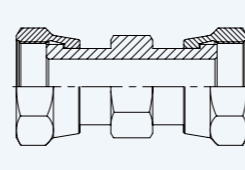
P419



Straight Connector ORFS Male -
ORFS Swivel Female

DAOF11241

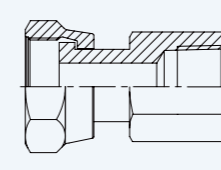
P434



Straight Connector Connector
ORFS Swivel Female

DAOF1128F

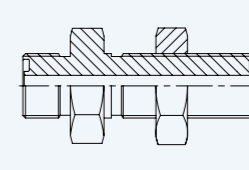
P435



Straight Connector ORFS Swivel
Female - NPTF Fixed Male

DAOF5124T

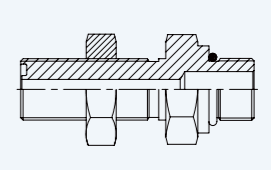
P436



Straight Connector Bulkhead ORFS
Male - ORFS Male

DAOFT1305

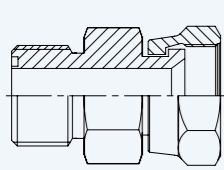
P437



Straight Connector Bulkhead
ORFS Male - SAE Male O Ring

DAOF51251

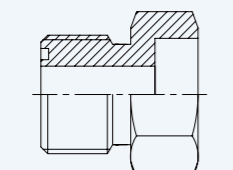
P421



Straight Connector ORFS Male -
JIC 74° Swivel Female

DAOF5100B

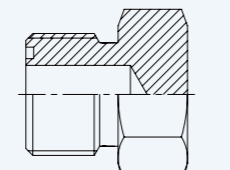
P422



Straight Connector ORFS Male - Metric /
Imperial Tube - Socket Welding-SW

DAOF51000

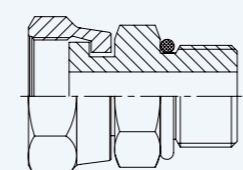
P423



ORFS Male Plug

DAOF11305

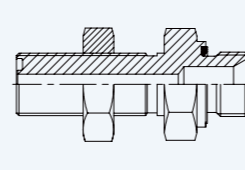
P424



Straight Connector ORFS Swivel
Female - SAE Male O Ring

DAOFT1061

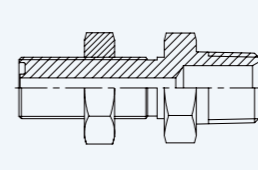
P438



Straight Connector Bulkhead ORFS Male
- BSPP 60° Male 60° with ED Ring

DAOFT128M

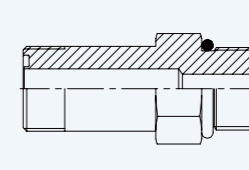
P439



Straight Connector Bulkhead
ORFS Male - NPTF Male 60°

DAOF5130J

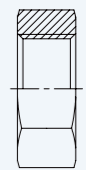
P440



Straight Long Connector ORFS
Male - SAE Male + O Ring

DAOFLN

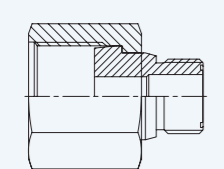
P441



ORFS Bulkhead Nut

DAOF31245

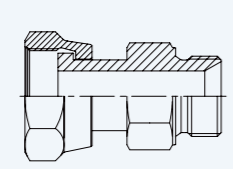
P425



Straight Connector ORFS Swivel
Female - ORFS Male

DAOF1105M

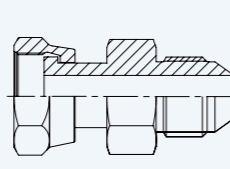
P427



Straight Connector ORFS Female
Swivel - BSPP 60° Male Cone

DAOF1125M

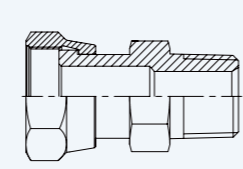
P428



Straight Connector ORFS Swivel
Female - JIC 74° Male

DAOF1107M

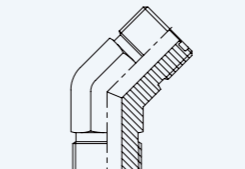
P429



Straight Connector ORFS Swivel
Female - BSPT Male 60° Cone

DAOF54245

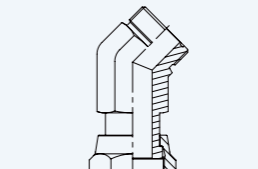
P442



45° Adjustable Elbow ORFS Male
- ORFS Male

DAOF54241

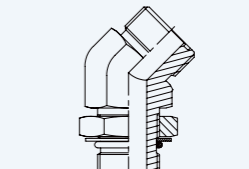
P443



45° Elbow Connector ORFS Male
- ORFS Swivel Female

DAOF54305

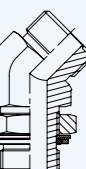
P444



45° Adjustable Elbow ORFS Male
- SAE Male O Ring

DAOF5406Q

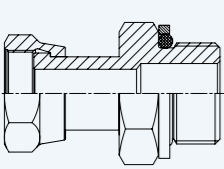
P446



45° Adjustable Elbow ORFS Male -
BSPP Male + O Ring + Retaining Ring

DAOF1106Q

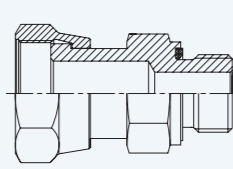
P430



Straight Connector ORFS Male - BSPT
Male + O Ring + Retaining Ring

DAOF11061

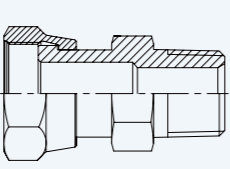
P431



Straight Connector ORFS Swivel
Female - BSPP Male with ED Ring

DAOF1128M

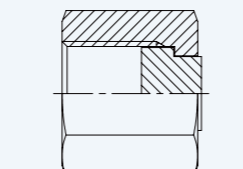
P432



Straight Connector ORFS Swivel
Female - NPTF 60° Male

DAOF31000

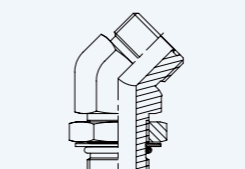
P433



ORFS Female Cap

DAOF54065

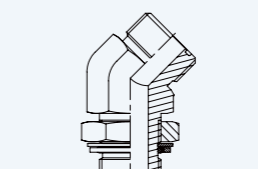
P447



45° Adjustable Elbow ORFS Male
- BSPP Male + O Ring

DAOF5452Q

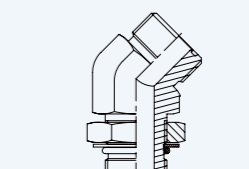
P448



45° Adjustable Elbow ORFS Male -
Metric Male + O Ring + Retaining Ring

DAOF54525

P449



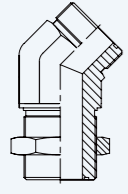
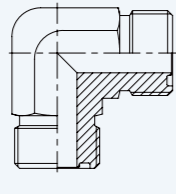
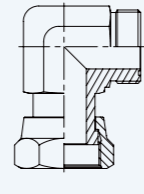
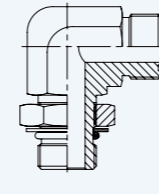
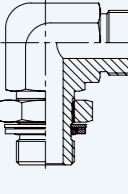
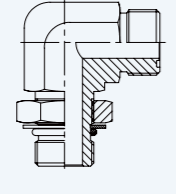
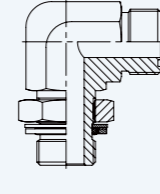
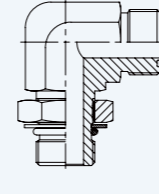
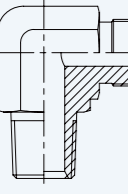
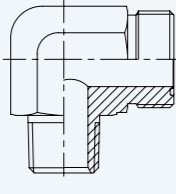
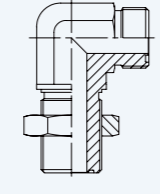
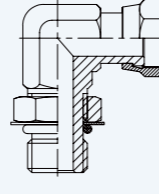
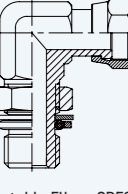
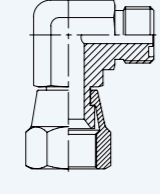
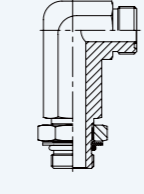
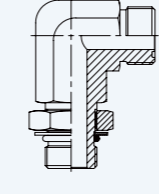
45° Adjustable Elbow ORFS Male -
Metric Male + O Ring

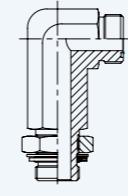
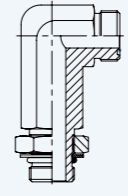
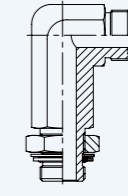
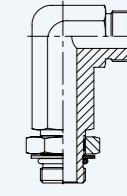
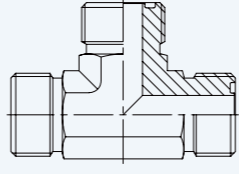
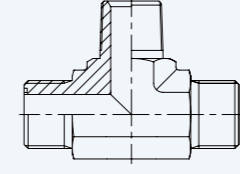
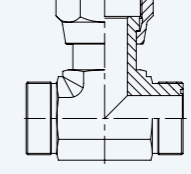
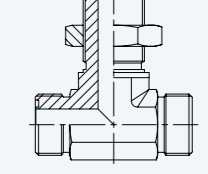
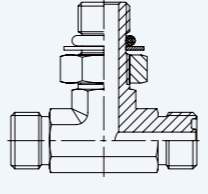
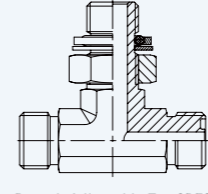
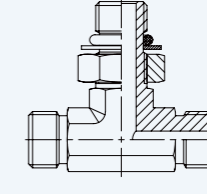
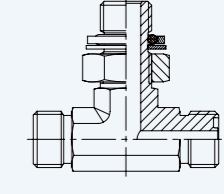
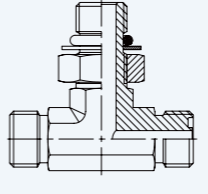
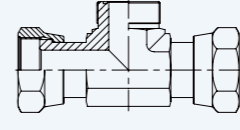
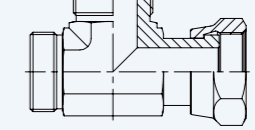
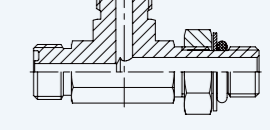
DAOF5428M

P450



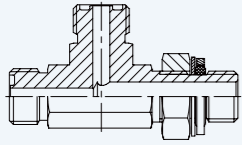
45° Elbow Connector ORFS Male -
NPTF Male

<p>DAOF5424T P451</p>  <p>45° Bulkhead Elbow ORFS Male - ORFS Male</p>	<p>DAOF59245 P452</p>  <p>90° Elbow Connector ORFS Male - ORFS Male</p>	<p>DAOF59241 P453</p>  <p>90° Elbow Connector ORFS Male - ORFS Swivel Female</p>	<p>DAOF59305 P454</p>  <p>90° Adjustable Elbow ORFS Male - SAE Male O Ring</p>
<p>DAOF5906Q P456</p>  <p>90° Adjustable Elbow ORFS Male - BSPP Male + O Ring + Retaining Ring</p>	<p>DAOF59065 P457</p>  <p>90° Adjustable Elbow ORFS Male - BSPP Male + O Ring</p>	<p>DAOF5952Q P458</p>  <p>90° Adjustable Elbow ORFS Male - Metric Male + O Ring + Retaining Ring</p>	<p>DAOF59525 P459</p>  <p>90° Adjustable Elbow ORFS Male - Metric Male + O Ring</p>
<p>DAOF5928M P460</p>  <p>90° Elbow Connector ORFS Male - NPTF Male 60°</p>	<p>DAOF5907M P462</p>  <p>90° Elbow Connector ORFS Male - BSPT Male</p>	<p>DAOF5924T P463</p>  <p>90° Elbow Bulkhead Connector ORFS Male - ORFS Male</p>	<p>DAOF19305 P464</p>  <p>90° Adjustable Elbow ORFS Female Swivel - SAE Male O Ring</p>
<p>DAOF1906Q P465</p>  <p>90° Adjustable Elbow ORFS Female Swivel - BSPP Male + O Ring + Retaining Ring</p>	<p>DAOF59251 P466</p>  <p>90° Elbow ORFS Male - JIC Swivel Female 74°</p>	<p>DAOF5930J P467</p>  <p>90° Adjustable Long Elbow ORFS Male - SAE Male O Ring</p>	<p>DAOF59305-LL P468</p>  <p>90° Adjustable X-Long Elbow ORFS Male - SAE Male O Ring</p>

<p>DAOF5906Y P469</p>  <p>90° Adjustable Long Elbow ORFS Male - BSPP Male + O Ring + Retaining Ring</p>	<p>DAOF5906J P470</p>  <p>90° Adjustable Long Elbow ORFS Male - BSPP Male + O Ring</p>	<p>DAOF5952Y P471</p>  <p>90° Adjustable Long Elbow ORFS Male - Metric Male + O Ring + Retaining Ring</p>	<p>DAOF5952J P472</p>  <p>90° Adjustable Long Elbow ORFS Male - Metric Male + O Ring</p>
<p>DAOF5T245 P473</p>  <p>Tee Connector ORFS Male</p>	<p>DAOF5T28M P474</p>  <p>Branch Tee Connector ORFS Male - NPTF Male</p>	<p>DAOF5T241 P475</p>  <p>Branch Tee Connector ORFS Male - ORFS Swivel Female</p>	<p>DAOF5T24T P476</p>  <p>Branch Tee Bulkhead Connector ORFS Male - ORFS Male</p>
<p>DAOF5T305 P477</p>  <p>Branch Adjustable Tee ORFS Male - SAE Male O Ring</p>	<p>DAOF5T06Q P478</p>  <p>Branch Adjustable Tee ORFS Male - BSPP Male + O Ring + Retaining Ring</p>	<p>DAOF5T065 P479</p>  <p>Branch Adjustable Tee ORFS Male - BSPP Male + O Ring</p>	<p>DAOF5T52Q P480</p>  <p>Branch Adjustable Tee ORFS Male - Metric Male + O Ring + Retaining Ring</p>
<p>DAOF5T525 P481</p>  <p>Branch Adjustable Tee ORFS Male - Metric Male + O Ring</p>	<p>DAOF3T245 P482</p>  <p>Branch Tee ORFS Swivel Female - ORFS Male</p>	<p>DAOF5L241 P483</p>  <p>Run Tee Connector ORFS Male - ORFS Swivel Female</p>	<p>DAOF5L305 P484</p>  <p>Run Adjustable Tee ORFS Male - SAE Male O Ring</p>

DAOF5L06Q

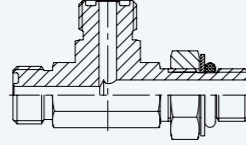
P486



Run Adjustable Tee ORFS Male -
BSPP Male + O Ring + Retaining Ring

DAOF5L06S

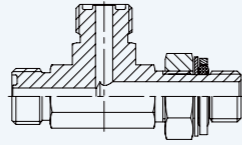
P487



Run Adjustable Tee ORFS Male -
BSPP Male + O Ring

DAOF5L52Q

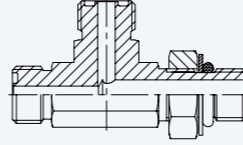
P488



Run Adjustable Tee ORFS Male -
Metric Male + O Ring + Retaining Ring

DAOF5L52S

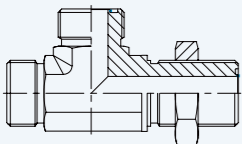
P489



Run Adjustable Tee ORFS Male -
Metric Male + O Ring

DAOF5L24T

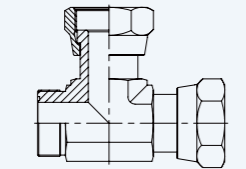
P490



Run Tee Bulkhead Connector ORFS
Male - ORFS Male

DAOF3L24S

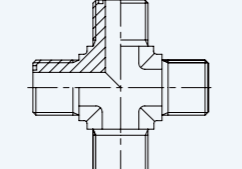
P491



Run Tee ORFS Swivel Female - ORFS
Male

DAOF5X24S

P492



Cross Connector ORFS Male

DAOFD0000

ORFS Tube Nut

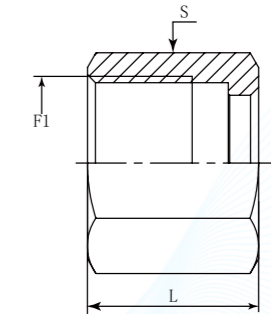
D	A	OF	D	O	000
Company	Product Range	Thread Types	Sealing Type	Compatible Type	Other Features
DME	Adaptor	ORFS UNF	Welding	Tube	Nut/Plug

German Technology Equipment

SHIELD FLEX

New-Standard

- DME&JDE Code: **DAOFD0000**
- Product Type: **Hydraulic adaptor**
- Standard: **ORFS**
- Thread types: **UNF**
- Other Features: **Nut/Plug**
- Sealing Method: **Welding**



PART NUMBER	F1 (Thread)	L	S	Hex
#	UNF	mm	-	-
DAOFD0000-0400	9/16"-18	14.73	17 mm	Metric
DAOFD0000-0400IN	9/16"-18	14.73	11/16"	Imperial
DAOFD0000-0600	11/16"-16	17.02	22 mm	Metric
DAOFD0000-0600IN	11/16"-16	17.02	13/16"	Imperial
DAOFD0000-0800	13/16"-16	21.01	24 mm	Metric
DAOFD0000-0800IN	13/16"-16	21.01	15/16"	Imperial
DAOFD0000-1000	1"-14	23.50	30 mm	Metric
DAOFD0000-1000IN	1"-14	23.50	1-1/8"	Imperial
DAOFD0000-1200	1-3/16"-12	26.50	36 mm	Metric
DAOFD0000-1200IN	1-3/16"-12	26.50	1-3/8"	Imperial
DAOFD0000-1600	1-7/16"-12	27.81	41 mm	Metric
DAOFD0000-1600IN	1-7/16"-12	27.81	1-5/8"	Imperial
DAOFD0000-2000	1-11/16"-12	27.80	50 mm	Metric
DAOFD0000-2000IN	1-11/16"-12	27.80	1-7/8"	Imperial
DAOFD0000-2400	2"-12	27.80	60 mm	Metric
DAOFD0000-2400IN	2"-12	27.80	2-1/4"	Imperial

Certificate:

DAOFR000B

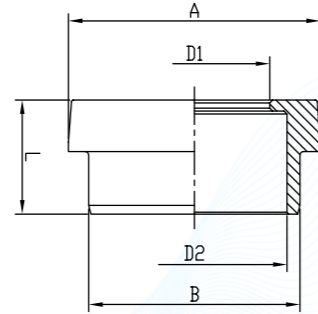
Brazed Sleeve Sleeve ORFS - Socket Welding not galvanized

D	A	OF	R	000	B
Company	Product Range	Thread Types	Nut Type	Other Features	Sleeve Type
DME	Adaptor	ORFS UNF	Sleeve	Nut/Plug	Brazed

German Technology Equipment

SHIELD FLEX

New-Standard



DME&JDE Code: **DAOFR000B**

Product Type: **Hydraulic adaptor**

Adaptor Standard: **ORFS**

Other Features: **Nut/Plug**

PART NUMBER	Tube OD	A	B	D	L
-	-	mm	mm	mm	mm
DAOFR0000-0605	5	12.75	10.21	5.10	7.50
DAOFR0000-0606	6	15.75	13.26	6.10	8.50
DAOFR0000-0604IN	1/4"	12.75	10.21	6.50	7.50
DAOFR0000-1010	10	23.44	20.75	10.10	10.50
DAOFR0000-1006IN	3/8"	15.75	13.26	9.68	8.50
DAOFR0000-1212	12	27.86	23.77	12.10	12.00
DAOFR0000-1208IN	1/2"	18.92	16.31	12.85	10.50
DAOFR0000-1616	16	34.21	28.70	16.10	13.50
DAOFR0000-1610IN	5/8"	23.44	20.75	16.03	10.50
DAOFR0000-2020	20	40.56	35.59	20.10	13.00
DAOFR0000-2012IN	3/4"	27.86	23.77	19.23	12.00
DAOFR0000-2424	24	48.51	43.54	24.10	12.50
DAOFR0000-2516IN	1"	34.21	28.70	25.58	13.50
DAOFR0000-3220IN	1-1/4"	40.56	35.59	31.93	13.00
DAOFR0000-3824IN	1-1/2"	48.51	43.54	38.28	12.50



DAOFR0000

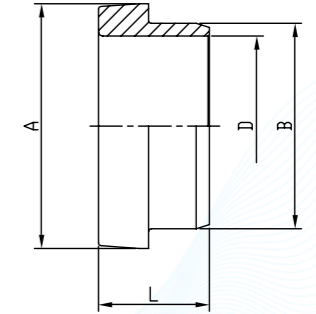
Sleeve

D	A	OF	R	O	000
Company	Product Range	Connection Type	Nut Type	Compatible Type	Other Features
DME	Adaptor	ORFS UNF	Sleeve	Tube	Nut/Plug

German Technology Equipment

SHIELD FLEX

New-Standard



DME&JDE Code: **DAOFR0000**

Product Type: **Hydraulic adaptor**

Standard: **ORFS**

Other Features: **Nut/Plug**

PART NUMBER	Tube OD	A	B	D	L
-	-	mm	mm	mm	mm
DAOFR0000-0604IN	1/4"	12.75	10.21	6.50	7.50
DAOFR0000-0605	5 mm	12.75	10.21	5.10	7.50
DAOFR0000-0606	6 mm	15.75	13.26	6.10	8.50
DAOFR0000-1006IN	3/8"	15.75	13.26	9.68	8.50
DAOFR0000-1010	10 mm	23.44	20.75	10.10	10.50
DAOFR0000-1208IN	1/2"	18.92	16.31	12.85	10.50
DAOFR0000-1212	12 mm	27.86	23.77	12.10	12.00
DAOFR0000-1610IN	5/8"	23.44	20.75	16.03	10.50
DAOFR0000-1616	16 mm	34.21	28.70	16.10	13.50
DAOFR0000-2012IN	3/4"	27.86	23.77	19.23	12.00
DAOFR0000-2020	20 mm	40.56	35.59	20.10	13.00
DAOFR0000-2424	24 mm	48.51	43.54	24.10	12.50
DAOFR0000-2516IN	1"	34.21	28.70	25.58	13.50
DAOFR0000-3220IN	1-1/4"	40.56	35.59	31.93	13.00
DAOFR0000-3824IN	1-1/2"	48.51	43.54	38.28	12.50



DAOF51245

Straight Connector ORFS Male - ORFS Male

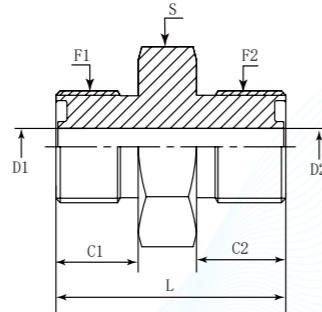
D	A	OF	5	1	24	5
Company	Product Range	Thread Types	Sealing Type	Adaptor Structure	Thread Types	Sealing Type
DME	Adaptor	ORFS UNF	Male+O Ring	Straight	ORFS	Male + O Ring

German Technology Equipment

SHIELD FLEX

New-Standard

- DME&JDE Code:** DAOF51245
- Product Type:** Hydraulic adaptor
- Standard:** ORFS
- Structure:** Straight
- Connection Type:** Male x Male
- Thread Types:** UNF x UNF
- Sealing Method:** O ring



PART NUMBER	F1 (Thread)	F2 (Thread)	C1	C2	D1	D2	L	S	Hex
#	UNF	UNF	mm	mm	mm	mm	mm	-	-
DAOF51245-0404	9/16"-18	9/16"-18	9.80	9.80	4.37	4.37	27.40	17 mm	Metric
DAOF51245-0404IN	9/16"-18	9/16"-18	9.80	9.80	4.37	4.37	27.40	5/8"	Imperial
DAOF51245-0604	11/16"-16	9/16"-18	11.20	9.80	6.71	4.37	29.70	19 mm	Metric
DAOF51245-0606	11/16"-16	11/16"-16	11.20	11.20	6.50	6.50	31.00	19 mm	Metric
DAOF51245-0604IN	11/16"-16	9/16"-18	11.20	9.80	6.71	4.37	29.70	3/4"	Imperial
DAOF51245-0606IN	11/16"-16	11/16"-16	11.20	11.20	6.50	6.50	31.00	3/4"	Imperial
DAOF51245-0806	13/16"-16	11/16"-16	12.80	11.20	6.71	6.71	33.80	22 mm	Metric
DAOF51245-0808	13/16"-16	13/16"-16	13.00	13.00	9.60	9.60	35.50	22 mm	Metric
DAOF51245-0806IN	13/16"-16	11/16"-16	12.80	11.20	6.71	6.71	33.80	7/8"	Imperial
DAOF51245-0808IN	13/16"-16	13/16"-16	13.00	13.00	9.60	9.60	35.50	7/8"	Imperial
DAOF51245-1008	13/16"-16	1"-14	15.49	12.80	12.29	9.60	39.90	27 mm	Metric
DAOF51245-1010	1"-14	1"-14	15.50	15.50	12.50	12.50	42.50	27 mm	Metric
DAOF51245-1008IN	13/16"-16	1"-14	15.49	12.80	12.29	9.60	39.90	1-1/16"	Imperial
DAOF51245-1010IN	1"-14	1"-14	15.50	15.50	12.50	12.50	42.50	1-1/16"	Imperial
DAOF51245-1206	1-3/16"-12	11/16"-16	17.02	11.20	15.47	6.71	41.40	32 mm	Metric
DAOF51245-1208	1-3/16"-12	13/16"-16	17.02	12.80	15.47	9.60	43.00	32 mm	Metric
DAOF51245-1210	1-3/16"-12	1"-14	17.02	15.49	15.50	12.50	45.70	32 mm	Metric
DAOF51245-1212	1-3/16"-12	1-3/16"-12	17.02	17.02	15.47	15.47	47.20	32 mm	Metric
DAOF51245-1206IN	1-3/16"-12	11/16"-16	17.02	11.20	15.47	6.71	41.40	1-1/4"	Imperial
DAOF51245-1208IN	1-3/16"-12	13/16"-16	17.02	12.80	15.47	9.60	43.00	1-1/4"	Imperial
DAOF51245-1210IN	1-3/16"-12	1"-14	17.02	15.49	15.50	12.50	45.70	1-1/4"	Imperial
DAOF51245-1212IN	1-3/16"-12	1-3/16"-12	17.02	17.02	15.47	15.47	47.20	1-1/4"	Imperial
DAOF51245-1612	1-7/16"-12	1-3/16"-12	17.50	17.02	20.60	15.47	48.80	41 mm	Metric
DAOF51245-1616	1-7/16"-12	1-7/16"-12	17.50	17.50	20.60	20.60	49.30	41 mm	Metric
DAOF51245-1612IN	1-7/16"-12	1-3/16"-12	17.50	17.02	20.60	15.47	48.80	1-1/2"	Imperial
DAOF51245-1616IN	1-7/16"-12	1-7/16"-12	17.50	17.50	20.60	20.60	49.30	1-1/2"	Imperial
DAOF51245-2016	1-11/16"-12	1-7/16"-12	17.50	17.50	26.00	20.60	51.30	46 mm	Metric
DAOF51245-2020	1-11/16"-12	1-11/16"-12	17.50	17.50	26.00	26.00	51.30	46 mm	Metric
DAOF51245-2016IN	1-11/16"-12	1-7/16"-12	17.50	17.50	26.00	20.60	51.30	1-3/4"	Imperial
DAOF51245-2020IN	1-11/16"-12	1-11/16"-12	17.50	17.50	26.00	26.00	51.30	1-3/4"	Imperial
DAOF51245-2424	2"-12	2"-12	17.50	17.50	32.00	32.00	53.00	55 mm	Metric
DAOF51245-2424IN	2"-12	2"-12	17.50	17.50	32.00	32.00	53.00	2-1/8"	Imperial
DAOF51245-3224	2-1/2"-12	2"-12	22.25	17.50	45.00	32.00	61.00	67 mm	Metric
DAOF51245-3232	2-1/2"-12	2-1/2"-12	22.25	22.25	45.00	45.00	66.00	67 mm	Metric
DAOF51245-3224IN	2-1/2"-12	2"-12	22.25	17.50	45.00	32.00	61.00	2-5/8"	Imperial
DAOF51245-3232IN	2-1/2"-12	2-1/2"-12	22.25	22.25	45.00	45.00	66.00	2-5/8"	Imperial

DAOF5105M

Straight Connector ORFS Male - BSPP 60° Male

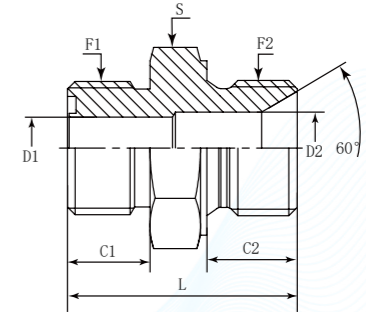
D	A	OF	5	1	05	M
Company	Product Range	Thread Types	Connection Type	Adaptor Structure	Thread Types	Connection Type
DME	Adaptor	ORFS UNF	Male	Straight	BSPP	Male

German Technology Equipment

SHIELD FLEX

New-Standard

- DME&JDE Code:** DAOF5105M
- Product Type:** Hydraulic adaptor
- Standard:** ORFS
- Structure:** Straight
- Connection Type:** Male x Male
- Thread Types:** UNF x BSPP 60°



PART NUMBER	F1 (Thread)	F2 (Thread)	C1	C2	D1	D2	L	S
#	UNF	BSPP	mm	mm	mm	mm	mm	mm
DAOF5105M-0402	9/16"-20	1/8"-28	9.80	9.00	3.50	3.50	24.50	17.00
DAOF5105M-0404	9/16"-18	1/4"-19	9.80	11.00	4.37	4.37	29.00	19.00
DAOF5105M-0406	9/16"-18	3/8"-19	9.80	12.00	4.37	7.90	29.50	22.00
DAOF5105M-0408	9/16"-18	1/2"-14	9.80	14.00	4.37	11.10	31.80	27.00
DAOF5105M-0602	11/16"-16	1/8"-28	11.20	8.00	6.71	3.50	28.00	19.00
DAOF5105M-0604	11/16"-16	1/4"-19	11.20	11.00	6.71	4.70	30.00	19.00
DAOF5105M-0606	11/16"-16	3/8"-19	11.20	12.00	6.71	6.71	32.00	22.00
DAOF5105M-0608	11/16"-16	1/2"-14	11.20	14.00	6.71	11.10	35.00	27.00
DAOF5105M-0804	13/16"-16	1/4"-19	12.80	11.00	9.60	4.70	32.50	22.00
DAOF5105M-0806	13/16"-16	3/8"-19	12.80	12.00	9.60	7.90	32.50	22.00
DAOF5105M-0808	13/16"-16	1/2"-14	12.80	14.00	9.60	9.60	36.50	27.00
DAOF5105M-0812	13/16"-16	3/4"-14	12.80	16.00	9.60	16.70	40.50	32.00
DAOF5105M-1006	1"-14	3/8"-19	15.50	12.00	12.30	7.90	36.00	27.00
DAOF5105M-1008	1"-14	1/2"-14	15.50	14.00	12.30	11.10	37.80	27.00
DAOF5105M-1010	1"-14	5/8"-14	15.50	16.00	12.30	12.30	43.50	30.00
DAOF5105M-1012	1"-14	3/4"-14	15.50	16.00	12.50	16.70	41.00	32.00
DAOF5105M-1208	1-3/16"-12	1/2"-14	17.02	14.00	11.10	11.10	44.00	32.00
DAOF5105M-1210	1-3/16"-12	5/8"-14	17.02	16.00	14.00	14.00	45.00	32.00
DAOF5105M-1212	1-3/16"-12	3/4"-14	17.02	16.00	15.47	16.70	45.00	32.00
DAOF5105M-1216	1-3/16"-12	1"-11	17.02	19.00	15.47	22.22	47.00	41.00
DAOF5105M-1612	1-7/16"-12	3/4"-14	17.50	16.00	20.60	16.70	44.50	41.00
DAOF5105M-1616	1-7/16"-12	1"-11	17.50	19.00	20.60	20.60	50.00	41.00
DAOF5105M-1620	1-7/16"-12	1-1/4"-11	17.50	20.00	20.60	20.60	54.00	50.00
DAOF5105M-2016	1-11/16"-12	1"-11	17.50	19.00	26.00	22.20	50.00	46.00
DAOF5105M-2020	1-11/16"-12	1-1/4"-11	17.50	20.00	26.00	28.60	52.00	50.00
DAOF5105M-2024	1-11/16"-12	1-1/2"-11	17.50	22.00	26.00	33.30	54.50	55.00

Certificate:



DAOF5107M

Straight Connector ORFS Male - BSPT 60° Male

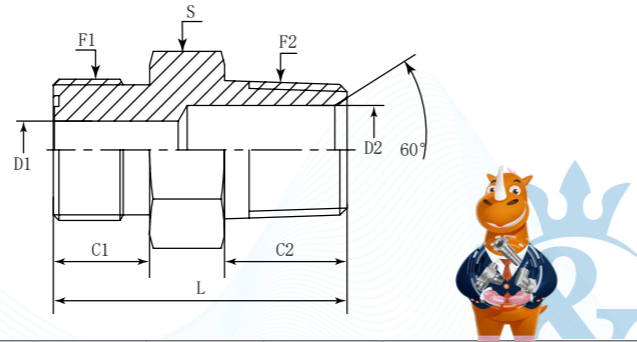
D	A	OF	5	1	07	M
Company	Product Range	Thread Types	Connection Type	Adaptor Structure	Thread Types	Connection Type
DME	Adaptor	ORFS UNF	Male	Straight	BSPT	Male

German Technology Equipment

SHIELD FLEX

New-Standard

- DME&JDE Code: **DAOF5107M**
- Product Type: **Hydraulic adaptor**
- Standard: **ORFS**
- Structure: **Straight**
- Connection Type: **Male x Male**
- Thread Types: **UNF x BSPT 60°**



PART NUMBER	F1 (Thread)	F2 (Thread)	C1	C2	D1	D2	L	S
#	UNF	BSPT	mm	mm	mm	mm	mm	mm
DAOF5107M-0402	9/16"-18	1/8"-28	9.80	10.00	4.37	4.37	27.50	15.88
DAOF5107M-0404	9/16"-18	1/4"-19	9.80	14.00	4.37	6.00	32.00	17.00
DAOF5107M-0406	9/16"-18	3/8"-19	9.80	15.00	4.50	9.00	32.50	19.00
DAOF5107M-0408	9/16"-18	1/2"-14	9.80	19.00	4.50	12.00	38.60	22.00
DAOF5107M-0602	11/16"-16	1/8"-28	11.20	10.00	6.71	4.50	29.50	19.05
DAOF5107M-0604	11/16"-16	1/4"-19	11.20	14.00	6.00	6.00	34.00	19.00
DAOF5107M-0606	11/16"-16	3/8"-19	11.20	15.00	6.71	9.00	34.50	19.05
DAOF5107M-0608	11/16"-16	1/2"-14	11.20	19.00	6.71	12.00	40.00	22.00
DAOF5107M-0804	13/16"-16	1/4"-19	12.80	14.00	9.50	6.00	36.50	22.00
DAOF5107M-0806	13/16"-16	3/8"-19	12.80	15.00	9.50	9.50	36.50	22.00
DAOF5107M-0808	13/16"-16	1/2"-14	12.80	19.00	9.60	12.00	41.50	22.00
DAOF5107M-0812	13/16"-16	3/4"-14	12.80	20.00	9.50	16.70	43.50	30.00
DAOF5107M-1008	1"-14	1/2"-14	15.49	19.00	12.00	12.00	46.00	27.00
DAOF5107M-1012	1"-14	3/4"-14	15.49	20.00	12.50	16.70	47.00	32.00
DAOF5107M-1208	1-3/16"-12	1/2"-14	17.02	19.00	15.50	12.00	49.50	32.00
DAOF5107M-1212	1-3/16"-12	3/4"-14	17.02	20.00	15.47	15.47	49.50	32.00
DAOF5107M-1216	1-3/16"-12	1"-11	17.02	24.00	15.50	22.20	54.00	36.00
DAOF5107M-1612	1-7/16"-12	3/4"-14	17.50	20.00	20.60	16.70	51.00	38.10
DAOF5107M-1616	1-7/16"-12	1"-11	17.50	24.00	20.60	22.20	55.50	38.10

DAOF5128M

Straight Connector ORFS Male - NPTF 60° Male

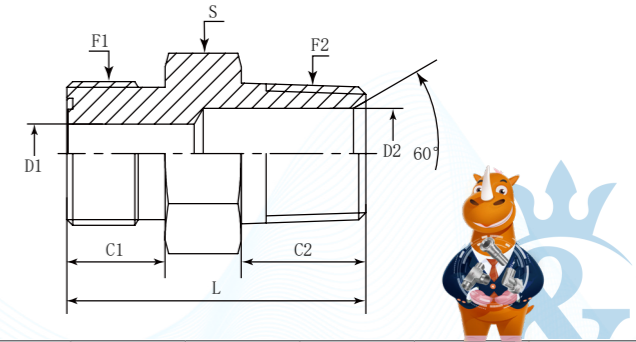
D	A	OF	5	1	28	M
Company	Product Range	Thread Types	Connection Type	Adaptor Structure	Thread Types	Connection Type
DME	Adaptor	ORFS UNF	Male	Straight	NPTF	Male

German Technology Equipment

SHIELD FLEX

New-Standard

- DME&JDE Code: **DAOF5128M**
- Product Type: **Hydraulic adaptor**
- Standard: **ORFS**
- Structure: **Straight**
- Connection Type: **Male x Male**
- Thread Types: **UNF x NPTF 60°**



PART NUMBER	F1 (Thread)	F2 (Thread)	C1	C2	D1	D2	L	S	Hex
#	UNF	NPTF	mm	mm	mm	mm	mm	-	-
DAOF5128M-0402	9/16"-18	1/8"-27	9.80	9.65	4.37	4.37	27.40	17 mm	Metric
DAOF5128M-0404	9/16"-18	1/4"-18	9.80	14.22	4.37	4.37	32.00	17 mm	Metric
DAOF5128M-0406	9/16"-18	3/8"-18	9.80	14.22	4.37	10.31	32.00	19 mm	Metric
DAOF5128M-0408	9/16"-18	1/2"-14	9.80	19.05	4.37	13.49	38.60	22 mm	Metric
DAOF5128M-0402IN	9/16"-18	1/8"-27	9.80	9.65	4.37	4.37	27.40	5/8"	Imperial
DAOF5128M-0404IN	9/16"-18	1/4"-18	9.80	14.22	4.37	4.37	32.00	5/8"	Imperial
DAOF5128M-0406IN	9/16"-18	3/8"-18	9.80	14.22	4.37	10.31	32.00	3/4"	Imperial
DAOF5128M-0408IN	9/16"-18	1/2"-14	9.80	19.05	4.37	13.49	38.60	7/8"	Imperial
DAOF5128M-0602	11/16"-16	1/8"-27	11.20	9.65	6.71	4.78	29.60	19 mm	Metric
DAOF5128M-0604	11/16"-16	1/4"-18	11.20	14.22	6.71	7.14	34.04	19 mm	Metric
DAOF5128M-0606	11/16"-16	3/8"-18	11.20	14.22	6.50	6.50	34.04	19 mm	Metric
DAOF5128M-0608	11/16"-16	1/2"-14	11.20	19.05	6.71	13.49	40.05	22 mm	Metric
DAOF5128M-0612	11/16"-16	3/4"-14	11.20	19.05	6.71	18.26	41.00	27 mm	Metric
DAOF5128M-0602IN	11/16"-16	1/8"-27	11.20	9.65	6.71	4.78	29.60	3/4"	Imperial
DAOF5128M-0604IN	11/16"-16	1/4"-18	11.20	14.22	6.71	7.14	34.04	3/4"	Imperial
DAOF5128M-0606IN	11/16"-16	3/8"-18	11.20	14.22	6.50	6.50	34.04	3/4"	Imperial
DAOF5128M-0608IN	11/16"-16	1/2"-14	11.20	19.05	6.71	13.49	40.05	7/8"	Imperial
DAOF5128M-0612IN	11/16"-16	3/4"-14	11.20	19.05	6.71	18.26	41.00	1-1/16"	Imperial
DAOF5128M-0804	13/16"-16	1/4"-18	12.80	14.22	9.60	7.14	36.80	22 mm	Metric
DAOF5128M-0806	13/16"-16	3/8"-18	12.80	14.22	9.60	9.60	36.82	22 mm	Metric

DAOF5128M-0808	13/16"-16	1/2"-14	12.80	19.05	9.50	13.49	41.65	22 mm	Metric
DAOF5128M-0812	13/16"-16	3/4"-14	12.80	19.05	9.60	18.26	42.90	27 mm	Metric
DAOF5128M-0816	13/16"-16	1"-11-1/2	12.80	23.88	9.60	23.83	50.00	36 mm	Metric
DAOF5128M-0804IN	13/16"-16	1/4"-18	12.80	14.22	9.60	7.14	36.80	7/8"	Imperial
DAOF5128M-0806IN	13/16"-16	3/8"-18	12.80	14.22	9.60	9.60	36.82	7/8"	Imperial
DAOF5128M-0808IN	13/16"-16	1/2"-14	12.80	19.05	9.50	13.49	41.65	7/8"	Imperial
DAOF5128M-0812IN	13/16"-16	3/4"-14	12.80	19.05	9.60	18.26	42.90	1-1/16"	Imperial
DAOF5128M-0816IN	13/16"-16	1"-11-1/2	12.80	23.88	9.60	23.83	50.00	1-3/8"	Imperial
DAOF5128M-1008	1"-14	1/2"-14	15.49	19.05	12.29	12.29	46.23	27 mm	Metric
DAOF5128M-1012	1"-14	3/4"-14	15.49	19.05	12.29	18.26	46.23	32 mm	Metric
DAOF5128M-1016	1"-14	1"-11-1/2	15.49	23.88	12.29	23.83	50.50	36 mm	Metric
DAOF5128M-1008IN	1"-14	1/2"-14	15.49	19.05	12.29	12.29	46.23	1-1/16"	Imperial
DAOF5128M-1012IN	1"-14	3/4"-14	15.49	19.05	12.29	18.26	46.23	1-1/4"	Imperial
DAOF5128M-1016IN	1"-14	1"-11-1/2	15.49	23.88	12.29	23.83	50.50	1-3/8"	Imperial
DAOF5128M-1208	1-3/16"-12	1/2"-14	17.02	19.05	15.47	13.49	49.20	32 mm	Metric
DAOF5128M-1212	1-3/16"-12	3/4"-14	17.02	19.05	15.47	15.47	49.17	32 mm	Metric
DAOF5128M-1216	1-3/16"-12	1"-11-1/2	17.02	23.88	15.47	23.83	54.20	36 mm	Metric
DAOF5128M-1208IN	1-3/16"-12	1/2"-14	17.02	19.05	15.47	13.49	49.20	1-1/4"	Imperial
DAOF5128M-1212IN	1-3/16"-12	3/4"-14	17.02	19.05	15.47	15.47	49.17	1-1/4"	Imperial
DAOF5128M-1216IN	1-3/16"-12	1"-11-1/2	17.02	23.88	15.47	23.83	54.20	1-3/8"	Imperial
DAOF5128M-1612	1-7/16"-12	3/4"-14	17.50	19.05	20.60	18.26	50.90	41 mm	Metric
DAOF5128M-1616	1-7/16"-12	1"-11-1/2	17.50	23.88	20.60	23.83	55.68	41 mm	Metric
DAOF5128M-1620	1-7/16"-12	1-1/4"-11-1/2	17.50	24.64	20.60	31.75	58.40	46 mm	Metric
DAOF5128M-1624	1-7/16"-12	1-1/2"-11-1/2	17.50	25.40	20.60	20.60	54.40	50 mm	Metric
DAOF5128M-1612IN	1-7/16"-12	3/4"-14	17.50	19.05	20.60	18.26	50.90	1-1/2"	Imperial
DAOF5128M-1616IN	1-7/16"-12	1"-11-1/2	17.50	23.88	20.60	23.83	55.68	1-1/2"	Imperial
DAOF5128M-1620IN	1-7/16"-12	1-1/4"-11-1/2	17.50	24.64	20.60	31.75	58.40	1-11/16"	Imperial
DAOF5128M-1624IN	1-7/16"-12	1-1/2"-11-1/2	17.50	25.40	20.60	20.60	54.40	2"	Imperial
DAOF5128M-2016	1-11/16"-12	1"-11-1/2	17.50	23.88	26.00	23.83	57.70	46 mm	Metric
DAOF5128M-2020	1-11/16"-12	1-1/4"-11-1/2	17.50	24.64	26.00	31.75	58.40	46 mm	Metric
DAOF5128M-2024	1-11/16"-12	1-1/2"-11-1/2	17.50	25.40	26.00	38.10	56.00	50 mm	Metric
DAOF5128M-2016IN	1-11/16"-12	1"-11-1/2	17.50	23.88	26.00	23.83	57.70	1-3/4"	Imperial
DAOF5128M-2020IN	1-11/16"-12	1-1/4"-11-1/2	17.50	24.64	26.00	31.75	58.40	1-3/4"	Imperial
DAOF5128M-2024IN	1-11/16"-12	1-1/2"-11-1/2	17.50	25.40	26.00	38.10	56.00	2"	Imperial
DAOF5128M-2424	2"-12	1-1/2"-11-1/2	17.50	25.40	32.00	38.10	61.00	55 mm	Metric
DAOF5128M-2424IN	2"-12	1-1/2"-11-1/2	17.50	25.40	32.00	38.10	61.00	2-1/8"	Imperial

DAOF5152M

Straight Connector ORFS Male - Metric 60° Male Cone

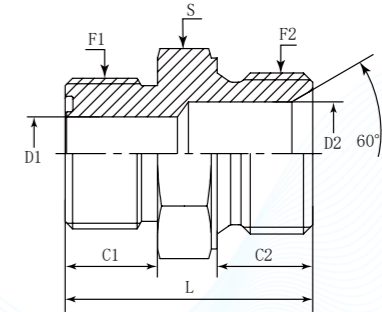
D	A	OF	5	1	52	M
Company	Product Range	Thread Types	Connection Type	Adaptor Structure	Thread Types	Connection Type
DME	Adaptor	ORFS UNF	Male + O Ring	Straight	Metric	Male

German Technology Equipment

SHIELD FLEX

New-Standard

- DME&JDE Code:** DAOF5152M
- Product Type:** Hydraulic adaptor
- Standard:** ORFS
- Structure:** Straight
- Connection Type:** Male x Male
- Thread Types:** UNF x Metric 60° Cone



PART NUMBER	F1 (Thread)	F2 (Thread)	C1	C2	D1	D2	L	S
#	BSP	BSP	mm	mm	mm	mm	mm	mm
DAOF5152M-0612	11/16"-16	M12X1.5	11.20	10.00	6.71	4.00	30.00	19.00
DAOF5152M-1027	1"-14	M27X2	15.49	16.00	12.29	18.00	41.50	32.00
DAOF5152M-1227	1-3/16"-12	M27X2	17.02	16.00	15.47	18.00	42.50	32.00
DAOF5152M-1233	1-3/16"-12	M33X2	17.02	19.00	15.47	23.00	48.00	41.00
DAOF5152M-1633	1-7/16"-12	M33X2	17.50	19.00	20.60	23.00	48.50	41.00
DAOF5152M-2042	1-11/16"-12	M42X2	17.50	20.00	26.00	30.00	51.00	50.00
DAOF5152M-2448	2"-12	M48X2	17.50	22.00	32.00	36.00	53.00	55.00

DAOF5125M

Straight Connector ORFS Male - JIC 74° Male

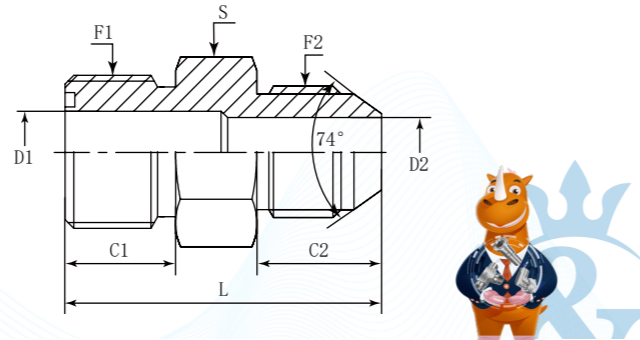
D	A	OF	5	1	25	M
Company	Product Range	Thread Types	Connection Type	Adaptor Structure	Thread Types	Connection Type
DME	Adaptor	ORFS UNF	Male	Straight	JIC UNF	Male

German Technology Equipment

SHIELD FLEX

New-Standard

- DME&JDE Code:** DAOF5125M
- Product Type:** Hydraulic adaptor
- Standard:** ORFS
- Structure:** Straight
- Connection Type:** Male x Male
- Thread Types:** UNF x UNF 74° Cone



PART NUMBER	F1 (Thread)	F2 (Thread)	C	L	D1	D2	S	S1	Hex
#	UNF	UNF	mm	mm	mm	mm	-	-	-
DAOF5125M-0404	9/16"-18	7/16"-20	9.80	13.97	4.37	4.37	31.70	17 mm	Metric
DAOF5125M-0404IN	9/16"-18	7/16"-20	9.80	13.97	4.37	4.37	31.70	5/8"	Imperial
DAOF5125M-0604	11/16"-16	7/16"-20	11.20	13.97	6.71	4.37	33.50	19 mm	Metric
DAOF5125M-0606	11/16"-16	9/16"-18	11.20	14.12	6.71	6.71	34.00	19 mm	Metric
DAOF5125M-0608	11/16"-16	3/4"-16	11.20	16.69	6.71	9.93	37.80	22 mm	Metric
DAOF5125M-0604IN	11/16"-16	7/16"-20	11.20	13.97	6.71	4.37	33.50	3/4"	Imperial
DAOF5125M-0606IN	11/16"-16	9/16"-18	11.20	14.12	6.71	6.71	34.00	3/4"	Imperial
DAOF5125M-0608IN	11/16"-16	3/4"-16	11.20	16.69	6.71	9.93	37.80	13/16"	Imperial
DAOF5125M-0808	13/16"-16	3/4"-16	12.80	16.69	9.60	9.60	39.40	22 mm	Metric
DAOF5125M-0808IN	13/16"-16	3/4"-16	12.80	16.69	9.60	9.60	39.40	7/8"	Imperial
DAOF5125M-1010	1"-14	7/8"-14	15.49	19.25	12.29	12.29	46.50	27 mm	Metric
DAOF5125M-1012	1"-14	1-1/16"-12	15.49	21.95	12.29	15.47	48.50	27 mm	Metric
DAOF5125M-1010IN	1"-14	7/8"-14	15.49	19.25	12.29	12.29	46.50	1-1/16"	Imperial
DAOF5125M-1012IN	1"-14	1-1/16"-12	15.49	21.95	12.29	15.47	48.50	1-1/16"	Imperial
DAOF5125M-1208	1-3/16"-12	3/4"-16	17.00	16.69	15.47	9.93	46.50	32 mm	Metric
DAOF5125M-1212	1-3/16"-12	1-1/16"-12	17.00	21.95	15.47	15.47	52.10	32 mm	Metric
DAOF5125M-1216	1-3/16"-12	1-5/16"-12	17.02	23.14	15.47	21.44	53.00	36 mm	Metric
DAOF5125M-1208IN	1-3/16"-12	3/4"-16	17.00	16.69	15.47	9.93	46.50	1-1/4"	Imperial
DAOF5125M-1212IN	1-3/16"-12	1-1/16"-12	17.00	21.95	15.47	15.47	52.10	1-1/4"	Imperial
DAOF5125M-1216IN	1-3/16"-12	1-5/16"-12	17.02	23.14	15.47	21.44	53.00	1-3/8"	Imperial
DAOF5125M-1616	1-7/16"-12	1-5/16"-12	17.50	23.14	20.60	21.44	54.90	41 mm	Metric
DAOF5125M-1616IN	1-7/16"-12	1-5/16"-12	17.50	23.14	20.60	21.44	54.90	1-1/2"	Imperial
DAOF5125M-2016	1-11/16"-12	1-5/16"-12	17.50	23.14	26.00	21.44	57.00	46 mm	Metric
DAOF5125M-2020	1-11/16"-12	1-5/8"-12	17.50	24.33	26.00	26.00	58.16	46 mm	Metric
DAOF5125M-2016IN	1-11/16"-12	1-5/16"-12	17.50	23.14	26.00	21.44	57.00	1-3/4"	Imperial
DAOF5125M-2020IN	1-11/16"-12	1-5/8"-12	17.50	24.33	26.00	26.00	58.16	1-3/4"	Imperial
DAOF5125M-2424	2"-12	1-7/8"-12	17.50	27.51	32.00	32.00	63.00	55 mm	Metric
DAOF5125M-2424IN	2"-12	1-7/8"-12	17.50	27.51	32.00	32.00	63.00	2-1/8"	Imperial



DAOF5105JM

Straight Connector ORFS Male - JIS BSPP Male 60° Cone

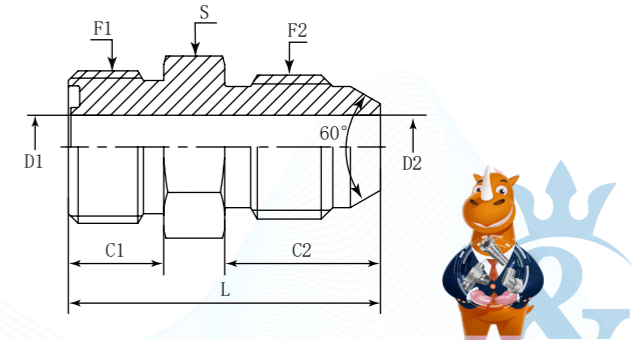
D	A	OF	5	1	05	J	M
Company	Product Range	Thread Types	Connection Type	Adaptor Structure	Thread Types	Connection Type	Connection Type
DME	Adaptor	ORFS UNF	Male + O Ring	Straight	BSPP	JIS	Male

German Technology Equipment

SHIELD FLEX

New-Standard

- DME&JDE Code:** DAOF5105JM
- Product Type:** Hydraulic adaptor
- Standard:** ORFS
- Structure:** Straight
- Connection Type:** Male x Male
- Thread Types:** UNF x JIS BSPP 60° Cone
- Sealing Method:** O ring



PART NUMBER	F1 (Thread)	F2 (Thread)	C1	C2	D1	D2	L	S
#	UNF	BSPP	mm	mm	mm	mm	mm	mm
DAOF5105JM-0404	9/16"-19	1/4"-19	9.80	16.00	4.00	4.00	35.00	17.00
DAOF5105JM-0606	11/16"-16	3/8"-19	11.20	18.00	6.71	8.50	39.00	19.00
DAOF5105JM-0808	13/16"-16	1/2"-14	12.80	20.00	9.30	9.30	43.00	22.00
DAOF5105JM-1010	1"-14	5/8"-14	15.49	20.00	12.00	12.00	44.50	27.00
DAOF5105JM-1212	1-3/16"-12	3/4"-14	17.02	22.00	15.50	15.50	49.00	32.00



DAOF5105F

Straight Connector ORFS Male - BSPP Fixed Female

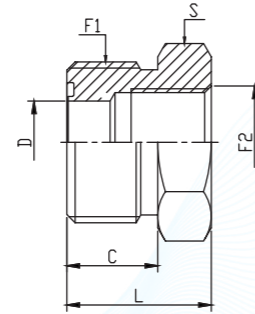
D	A	OF	5	1	05	F
Company	Product Range	Thread Types	Connection Type	Adaptor Structure	Thread Types	Connection Type
DME	Adaptor	BSPP	Male + O Ring	Straight	BSPP	Male

German Technology Equipment

SHIELD FLEX

New-Standard

- DME&JDE Code:** DAOF5105F
- Product Type:** Hydraulic adaptor
- Standard:** ORFS
- Structure:** Straight
- Connection Type:** Male x Fixed Female
- Thread Types:** UNF x BSPP



PART NUMBER	F1 (Thread)	F2 (Thread)	C	L	D	S
#	UNF	BSPP	mm	mm	mm	mm
DAOF5105F-0402	9/16"-20	1/8"-28	9.80	26.50	4.37	17.00
DAOF5105F-0404	9/16"-20	1/4"-19	9.80	28.50	4.37	19.00
DAOF5105F-0604	11/16"-16	1/4"-19	11.20	29.50	6.71	19.00
DAOF5105F-0606	11/16"-16	3/8"-19	11.20	33.00	6.71	24.00
DAOF5105F-0806	13/16"-16	3/8"-19	12.80	33.00	9.60	22.00
DAOF5105F-0808	13/16"-16	1/2"-14	12.80	38.50	9.60	30.00
DAOF5105F-1006	1"-14	3/8"-19	15.50	24.00	12.30	27.00
DAOF5105F-1008	1"-14	1/2"-14	15.49	40.00	12.29	27.00
DAOF5105F-1208	1-3/16"-12	1/2"-14	17.02	27.00	15.47	32.00
DAOF5105F-1212	1-3/16"-12	3/4"-14	17.02	46.00	15.47	36.00
DAOF5105F-1616	1-7/16"-12	1"-11	17.50	49.00	20.60	41.00
DAOF5105F-2020	1-11/16"-12	1-1/4"-11	17.50	53.00	26.00	50.00
DAOF5105F-2424	2"-12	1-1/2"-11	17.50	57.00	32.00	55.00



DAOF51305

Straight Connector ORFS Male - SAE Male + O Ring

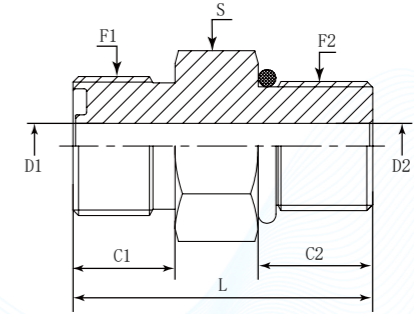
D	A	OF	5	1	30	5
Company	Product Range	Thread Types	Connection Type	Adaptor Structure	Thread Types	Connection Type
DME	Adaptor	BSPP	Male + O Ring	Straight	BSPP	Male

German Technology Equipment

SHIELD FLEX

New-Standard

- DME&JDE Code:** DAOF51305
- Product Type:** Hydraulic adaptor
- Standard:** ORFS
- Structure:** Straight
- Connection Type:** Male x Fixed Female
- Thread Types:** UNF x BSPP



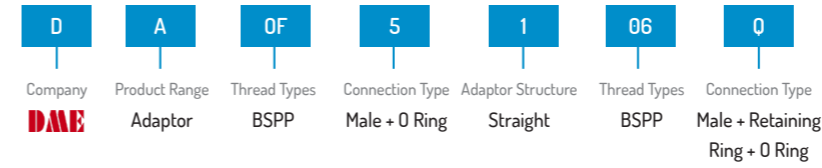
PART NUMBER	F1 (Thread)	F2 (Thread)	C1	C2	D1	D2	L	S	Hex
#	UNF	UNF	mm	mm	mm	mm	mm	-	-
DAOF51305-0402	9/16"-18	5/16"-24	9.80	9.60	4.37	1.60	29.00	17 mm	Metric
DAOF51305-0403	9/16"-18	3/8"-24	9.80	9.60	3.18	3.18	27.40	17 mm	Metric
DAOF51305-0404	9/16"-18	7/16"-20	9.80	11.00	4.37	4.37	28.80	17 mm	Metric
DAOF51305-0405	9/16"-18	1/2"-20	9.80	11.00	4.37	5.49	29.00	17 mm	Metric
DAOF51305-0406	9/16"-18	9/16"-18	9.80	11.99	4.37	6.71	30.50	19 mm	Metric
DAOF51305-0408	9/16"-18	3/4"-16	10.00	14.00	4.50	10.00	33.50	22 mm	Metric
DAOF51305-0410	9/16"-18	7/8"-14	9.80	16.00	4.37	12.29	37.40	27 mm	Metric
DAOF51305-0402IN	9/16"-18	5/16"-24	9.80	9.60	4.37	1.60	29.00	5/8"	Imperial
DAOF51305-0403IN	9/16"-18	3/8"-24	9.80	9.60	3.18	3.18	27.40	5/8"	Imperial
DAOF51305-0404IN	9/16"-18	7/16"-20	9.80	11.00	4.37	4.37	28.80	5/8"	Imperial
DAOF51305-0405IN	9/16"-18	1/2"-20	9.80	11.00	4.37	5.49	29.00	5/8"	Imperial
DAOF51305-0406IN	9/16"-18	9/16"-18	9.80	11.99	4.37	6.71	30.50	3/4"	Imperial
DAOF51305-0408IN	9/16"-18	3/4"-16	10.00	14.00	4.50	10.00	33.50	7/8"	Imperial
DAOF51305-0410IN	9/16"-18	7/8"-14	9.80	16.00	4.37	12.29	37.40	1"	Imperial
DAOF51305-0603	11/16"-16	3/8"-24	11.20	9.50	6.71	3.00	32.61	19 mm	Metric
DAOF51305-0604	11/16"-16	7/16"-20	11.20	11.00	6.71	4.37	34.11	19 mm	Metric
DAOF51305-0605	11/16"-16	1/2"-20	11.20	11.00	6.00	6.00	30.80	19 mm	Metric
DAOF51305-0606	11/16"-16	9/16"-18	11.00	12.00	6.50	6.50	32.00	19 mm	Metric
DAOF51305-0608	11/16"-16	3/4"-16	11.20	14.00	6.71	9.60	35.11	22 mm	Metric
DAOF51305-0610	11/16"-16	7/8"-14	11.00	16.00	6.50	12.30	38.80	27 mm	Metric
DAOF51305-0612	11/16"-16	1-1/16"-12	11.20	18.49	6.71	15.47	42.80	32 mm	Metric
DAOF51305-0616	11/16"-16	1-5/16"-12	11.20	18.49	6.71	20.60	44.00	41 mm	Metric
DAOF51305-0603IN	11/16"-16	3/8"-24	11.20	9.50	6.71	3.00	32.61	3/4"	Imperial
DAOF51305-0604IN	11/16"-16	7/16"-20	11.20	11.00	6.71	4.37	34.11	3/4"	Imperial
DAOF51305-0605IN	11/16"-16	1/2"-20	11.20	11.00	6.00	6.00	30.80	3/4"	Imperial
DAOF51305-0606IN	11/16"-16	9/16"-18	11.00	12.00	6.50	6.50	32.00	3/4"	Imperial
DAOF51305-0608IN	11/16"-16	3/4"-16	11.20	14.00	6.71	9.60	35.11	7/8"	Imperial
DAOF51305-0610IN	11/16"-16	7/8"-14	11.00	16.00	6.50	12.30	38.80	1-1/16"	Imperial
DAOF51305-0612IN	11/16"-16	1-1/16"-12	11.20	18.49	6.71	15.47	42.80	1-1/4"	Imperial
DAOF51305-0616IN	11/16"-16	1-5/16"-12	11.20	18.49	6.71	20.60	44.00	1-1/2"	Imperial
DAOF51305-0804	13/16"-16	7/16"-20	12.80	11.00	9.50	4.50	36.40	22 mm	Metric
DAOF51305-0806	13/16"-16	9/16"-18	12.80	11.99	9.60	6.71	37.40	22 mm	Metric
DAOF51305-0808	13/16"-16	3/4"-16	12.80	14.00	9.60	9.60	36.60	22 mm	Metric
DAOF51305-0810	13/16"-16	7/8"-14	12.80	16.00	9.60	12.29	40.50	27 mm	Metric
DAOF51305-0812	13/16"-16	1-1/16"-12	13.00	18.49	9.50	15.47	44.50	32 mm	Metric



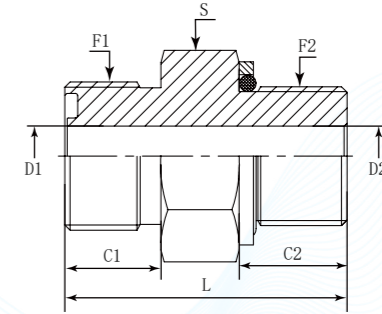
DAOF51305-0816	13/16"-16	1-5/16"-12	12.80	18.49	9.60	20.60	45.40	41 mm	Metric
DAOF51305-0804IN	13/16"-16	7/16"-20	12.80	11.00	9.50	4.50	36.40	7/8"	Imperial
DAOF51305-0806IN	13/16"-16	9/16"-18	12.80	11.99	9.60	6.71	37.40	7/8"	Imperial
DAOF51305-0808IN	13/16"-16	3/4"-16	12.80	14.00	9.60	9.60	36.60	7/8"	Imperial
DAOF51305-0810IN	13/16"-16	7/8"-14	12.80	16.00	9.60	12.29	40.50	1"	Imperial
DAOF51305-0812IN	13/16"-16	1-1/16"-12	13.00	18.49	9.50	15.47	44.50	1-1/4"	Imperial
DAOF51305-0816IN	13/16"-16	1-5/16"-12	12.80	18.49	9.60	20.60	45.40	1-1/2"	Imperial
DAOF51305-1006	1"-14	9/16"-18	15.49	11.99	12.29	6.71	41.70	27 mm	Metric
DAOF51305-1008	1"-14	3/4"-16	15.49	14.00	9.60	9.60	45.20	27 mm	Metric
DAOF51305-1010	1"-14	7/8"-14	15.50	16.00	12.29	12.29	43.00	27 mm	Metric
DAOF51305-1012	1"-14	1-1/16"-12	15.49	18.49	12.29	12.29	47.20	32 mm	Metric
DAOF51305-1014	1"-14	1-3/16"-12	15.49	18.49	12.29	18.26	47.19	36 mm	Metric
DAOF51305-1016	1"-14	1-5/16"-12	15.49	18.49	12.29	20.60	48.30	41 mm	Metric
DAOF51305-1006IN	1"-14	9/16"-18	15.49	11.99	12.29	6.71	41.70	1-1/16"	Imperial
DAOF51305-1008IN	1"-14	3/4"-16	15.49	14.00	9.60	9.60	45.20	1-1/16"	Imperial
DAOF51305-1010IN	1"-14	7/8"-14	15.50	16.00	12.29	12.29	43.00	1-1/16"	Imperial
DAOF51305-1012IN	1"-14	1-1/16"-12	15.49	18.49	12.29	12.29	47.20	1-1/4"	Imperial
DAOF51305-1014IN	1"-14	1-3/16"-12	15.49	18.49	12.29	18.26	47.19	1-3/8"	Imperial
DAOF51305-1016IN	1"-14	1-5/16"-12	15.49	18.49	12.29	20.60	48.30	1-1/2"	Imperial
DAOF51305-1206	1-3/16"-12	9/16"-18	17.02	11.99	15.47	6.71	45.00	32 mm	Metric
DAOF51305-1208	1-3/16"-12	3/4"-16	17.02	14.00	15.47	9.60	48.50	32 mm	Metric
DAOF51305-1210	1-3/16"-12	7/8"-14	17.02	16.00	15.50	12.50	50.60	32 mm	Metric
DAOF51305-1212	1-3/16"-12	1-1/16"-12	17.02	18.49	15.47	15.47	48.60	32 mm	Metric
DAOF51305-1214	1-3/16"-12	1-3/16"-12	17.02	18.49	15.47	18.26	48.70	36 mm	Metric
DAOF51305-1216	1-3/16"-12	1-5/16"-12	17.02	18.49	15.47	21.50	49.50	41 mm	Metric
DAOF51305-1220	1-3/16"-12	1-5/8"-12	17.02	18.49	15.47	26.00	51.80	50 mm	Metric
DAOF51305-1224	1-3/16"-12	1-7/8"-12	17.02	18.50	15.47	32.00	53.50	55 mm	Metric
DAOF51305-1206IN	1-3/16"-12	9/16"-18	17.02	11.99	15.47	6.71	45.00	1-1/4"	Imperial
DAOF51305-1208IN	1-3/16"-12	3/4"-16	17.02	14.00	15.47	9.60	48.50	1-1/4"	Imperial
DAOF51305-1210IN	1-3/16"-12	7/8"-14	17.02	16.00	15.50	12.50	50.60	1-1/4"	Imperial
DAOF51305-1212IN	1-3/16"-12	1-1/16"-12	17.02	18.49	15.47	15.47	48.60	1-1/4"	Imperial
DAOF51305-1214IN	1-3/16"-12	1-3/16"-12	17.02	18.49	15.47	18.26	48.70	1-3/8"	Imperial
DAOF51305-1216IN	1-3/16"-12	1-5/16"-12	17.02	18.49	15.47	21.50	49.50	1-1/2"	Imperial
DAOF51305-1220IN	1-3/16"-12	1-5/8"-12	17.02	18.49	15.47	26.00	51.80	1-7/8"	Imperial
DAOF51305-1608	1-7/16"-12	3/4"-16	17.50	14.00	20.60	9.60	49.81	41 mm	Metric
DAOF51305-1610	1-7/16"-12	7/8"-14	17.50	16.00	20.60	12.29	51.80	41 mm	Metric
DAOF51305-1612	1-7/16"-12	1-1/16"-12	17.50	18.49	20.60	15.47	54.40	41 mm	Metric
DAOF51305-1616	1-7/16"-12	1-5/16"-12	17.50	18.49	20.60	20.60	50.30	41 mm	Metric
DAOF51305-1620	1-7/16"-12	1-5/8"-12	17.50	18.49	20.50	27.50	52.50	50 mm	Metric
DAOF51305-1624	1-7/16"-12	1-7/8"-12	17.50	18.50	20.60	32.00	54.00	55 mm	Metric
DAOF51305-1608IN	1-7/16"-12	3/4"-16	17.50	14.00	20.60	9.60	49.81	1-1/2"	Imperial
DAOF51305-1610IN	1-7/16"-12	7/8"-14	17.50	16.00	20.60	12.29	51.80	1-1/2"	Imperial
DAOF51305-1612IN	1-7/16"-12	1-1/16"-12	17.50	18.49	20.60	15.47	54.40	1-1/2"	Imperial
DAOF51305-1616IN	1-7/16"-12	1-5/16"-12	17.50	18.49	20.60	20.60	50.30	1-1/2"	Imperial
DAOF51305-1620IN	1-7/16"-12	1-5/8"-12	17.50	18.49	20.50	27.50	52.50	1-7/8"	Imperial
DAOF51305-1624IN	1-7/16"-12	1-7/8"-12	17.50	18.50	20.60	32.00	54.00	2-1/8"	Imperial
DAOF51305-2012	1-11/16"-12	1-1/16"-12	17.50	18.49	26.00	15.47	56.40	46 mm	Metric
DAOF51305-2016	1-11/16"-12	1-5/16"-12	17.50	18.49	26.00	20.60	57.90	46 mm	Metric
DAOF51305-2020	1-11/16"-12	1-5/8"-12	17.50	18.49	26.00	26.00	52.50	50 mm	Metric
DAOF51305-2024	1-11/16"-12	1-7/8"-12	17.50	18.49	26.00	32.00	54.00	55 mm	Metric
DAOF51305-2012IN	1-11/16"-12	1-1/16"-12	17.50	18.49	26.00	15.47	56.40	1-3/4"	Imperial
DAOF51305-2016IN	1-11/16"-12	1-5/16"-12	17.50	18.49	26.00	20.60	57.90	1-3/4"	Imperial
DAOF51305-2020IN	1-11/16"-12	1-5/8"-12	17.50	18.49	26.00	26.00	52.50	1-7/8"	Imperial
DAOF51305-2024IN	1-11/16"-12	1-7/8"-12	17.50	18.49	26.00	32.00	54.00	2-1/8"	Imperial
DAOF51305-2416	2"-12	1-5/16"-12	17.50	18.49	32.00	20.60	59.60	55 mm	Metric
DAOF51305-2420	2"-12	1-5/8"-12	17.50	18.49	32.00	26.00	59.60	55 mm	Metric
DAOF51305-2424	2"-12	1-7/8"-12	17.50	18.49	32.00	32.00	54.10	55 mm	Metric
DAOF51305-2416IN	2"-12	1-5/16"-12	17.50	18.49	32.00	20.60	59.60	2-1/8"	Imperial
DAOF51305-2420IN	2"-12	1-5/8"-12	17.50	18.49	32.00	26.00	59.60	2-1/8"	Imperial
DAOF51305-2424IN	2"-12	1-7/8"-12	17.50	18.49	32.00	32.00	54.10	2-1/8"	Imperial
DAOF51305-3232	2-1/2"-12	2-1/2"-12	22.25	18.50	45.00	40.00	58.90	70 mm	Metric
DAOF51305-3232IN	2-1/2"-12	2-1/2"-12	22.25	18.50	45.00	40.00	58.90	2-3/4"	Imperial

DAOF5106Q

Straight ORFS Male - BSPP Male + Retaining Ring + O Ring



- DME&JDE Code:** DAOF5106Q
- Product Type:** Hydraulic adaptor
- Standard:** ORFS
- Structure:** Straight
- Connection Type:** Male x Male
- Thread Types:** UNF x BSPP
- Sealing Method:** O Ring + Retaining Ring



German Technology Equipment

SHIELD FLEX

New-Standard

PART NUMBER	F1 (Thread)	F2 (Thread)	C1	C2	D1	D2	L	S
#	UNF	BSPP	mm	mm	mm	mm	mm	mm
DAOF5106Q-0402	9/16"-18	1/8"-28	9.80	8.00	4.37	4.37	25.00	15.88
DAOF5106Q-0404	9/16"-18	1/4"-19	9.80	11.20	4.37	7.50	30.00	19.00
DAOF5106Q-0406	9/16"-18	3/8"-19	9.80	11.20	4.37	9.90	31.00	22.00
DAOF5106Q-0408	9/16"-18	1/2"-14	9.80	14.50	4.50	12.30	34.50	30.00
DAOF5106Q-0604	11/16"-16	1/4"-19	11.20	11.20	6.71	6.71	31.50	19.00
DAOF5106Q-0606	11/16"-16	3/8"-19	11.20	11.20	6.71	9.90	32.50	22.00
DAOF5106Q-0608	11/16"-16	1/2"-14	11.20	14.50	6.71	12.30	36.00	30.00
DAOF5106Q-0804	13/16"-16	1/4"-19	12.80	11.20	7.50	7.50	33.50	22.00
DAOF5106Q-0806	13/16"-16	3/8"-19	12.80	11.20	9.60	9.60	33.50	22.00
DAOF5106Q-0808	13/16"-16	1/2"-14	12.80	14.50	9.50	12.30	37.00	30.00
DAOF5106Q-0810	13/16"-16	5/8"-14	12.80	14.50	9.50	12.50	41.00	32.00
DAOF5106Q-0812	13/16"-16	3/4"-14	12.80	14.50	9.60	15.50	38.00	36.00
DAOF5106Q-0816	13/16"-16	1"-11	12.80	18.60	9.60	21.50	43.50	41.00
DAOF5106Q-1006	1"-14	3/8"-19	15.49	11.20	12.29	9.90	37.00	27.00
DAOF5106Q-1008	1"-14	1/2"-14	15.50	14.50	12.29	12.29	39.50	30.00
DAOF5106Q-1010	1"-14	5/8"-14	15.49	14.50	12.30	12.30	41.50	32.00
DAOF5106Q-1012	1"-14	3/4"-14	15.49	14.50	12.50	15.00	43.50	36.00
DAOF5106Q-1208	1-3/16"-12	1/2"-14	17.02	14.50	12.29	12.29	44.00	32.00
DAOF5106Q-1212	1-3/16"-12	3/4"-14	17.02	14.50	15.47	15.47	45.00	36.00
DAOF5106Q-1216	1-3/16"-12	1"-11	17.02	18.60	15.47	21.50	47.50	41.00
DAOF5106Q-1608	1-7/16"-12	1/2"-14	17.50	14.50	20.60	12.30	43.00	38.00
DAOF5106Q-1612	1-7/16"-12	3/4"-14	17.50	14.50	20.60	15.50	43.00	36.00
DAOF5106Q-1616	1-7/16"-12	1"-11	17.50	18.60	20.60	20.60	48.00	46.00
DAOF5106Q-1620	1-7/16"-12	1-1/4"-11	17.50	18.60	20.60	26.00	51.50	50.00
DAOF5106Q-2016	1-11/16"-12	1"-11	17.50	18.60	26.00	21.50	51.50	50.00
DAOF5106Q-2020	1-11/16"-12	1-1/4"-11	17.50	18.60	26.00	26.00	51.50	50.00
DAOF5106Q-2424	2"-12	1-1/2"-11	17.50	18.60	32.00	32.00	50.00	55.00

DAOF51065

Straight Connector ORFS Male - BSPP Male + O Ring

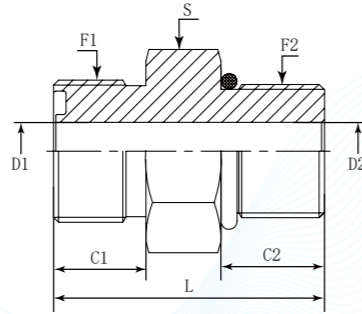
D	A	OF	5	1	06	5
Company	Product Range	Thread Types	Connection Type	Adaptor Structure	Thread Types	Connection Type
DME	Adaptor	ORFS UNF	Male + O Ring	Straight	BSPP	Male + O Ring

German Technology Equipment

SHIELD FLEX

New-Standard

- DME&JDE Code:** DAOF51065
- Product Type:** Hydraulic adaptor
- Standard:** ORFS
- Structure:** Straight
- Connection Type:** Male x Male
- Thread Types:** UNF x BSPP 60°
- Sealing Method::** O Ring



PART NUMBER	F1 (Thread)	F2 (Thread)	C1	C2	D1	D2	L	S
#	UNF	BSPP	mm	mm	mm	mm	mm	mm
DAOF51065-0402	9/16"-18	1/8"-28	9.80	8.00	4.37	4.37	25.00	15.88
DAOF51065-0404	9/16"-18	1/4"-19	9.80	11.20	4.37	7.50	30.00	19.00
DAOF51065-0406	9/16"-18	3/8"-19	9.80	11.20	4.37	9.90	31.00	22.00
DAOF51065-0408	9/16"-18	1/2"-14	9.80	14.50	4.50	12.30	34.50	30.00
DAOF51065-0604	11/16"-16	1/4"-19	11.20	11.20	6.71	6.71	31.50	19.00
DAOF51065-0606	11/16"-16	3/8"-19	11.20	11.20	6.71	9.90	32.50	22.00
DAOF51065-0608	11/16"-16	1/2"-14	11.20	14.50	6.71	12.30	36.00	30.00
DAOF51065-0804	13/16"-16	1/4"-19	12.80	11.20	7.50	7.50	33.50	22.00
DAOF51065-0806	13/16"-16	3/8"-19	12.80	11.20	9.60	9.60	33.50	22.00
DAOF51065-0808	13/16"-16	1/2"-14	12.80	14.50	9.50	12.30	37.00	30.00
DAOF51065-0810	13/16"-16	5/8"-14	12.80	14.50	9.50	12.50	41.00	32.00
DAOF51065-0812	13/16"-16	3/4"-14	12.80	14.50	9.60	15.50	38.00	36.00
DAOF51065-0816	13/16"-16	1"-11	12.80	18.60	9.60	21.50	43.50	41.00
DAOF51065-1006	1"-14	3/8"-19	15.49	11.20	12.29	9.90	37.00	27.00
DAOF51065-1008	1"-14	1/2"-14	15.50	14.50	12.29	12.29	39.50	30.00
DAOF51065-1010	1"-14	5/8"-14	15.49	14.50	12.30	12.30	41.50	32.00
DAOF51065-1012	1"-14	3/4"-14	15.49	14.50	12.50	15.00	43.50	36.00
DAOF51065-1208	1-3/16"-12	1/2"-14	17.02	14.50	12.29	12.29	44.00	32.00
DAOF51065-1212	1-3/16"-12	3/4"-14	17.02	14.50	15.47	15.47	45.00	36.00
DAOF51065-1216	1-3/16"-12	1"-11	17.02	18.60	15.47	21.50	47.50	41.00
DAOF51065-1608	1-7/16"-12	1/2"-14	17.50	14.50	20.60	12.30	43.00	38.00
DAOF51065-1612	1-7/16"-12	3/4"-14	17.50	14.50	20.60	15.50	43.00	36.00
DAOF51065-1616	1-7/16"-12	1"-11	17.50	18.60	20.60	20.60	48.00	46.00
DAOF51065-1620	1-7/16"-12	1-1/4"-11	17.50	18.60	20.60	26.00	51.50	50.00
DAOF51065-2016	1-11/16"-12	1"-11	17.50	18.60	26.00	21.50	51.50	50.00
DAOF51065-2020	1-11/16"-12	1-1/4"-11	17.50	18.60	26.00	26.00	51.50	50.00
DAOF51065-2424	2"-12	1-1/2"-11	17.50	18.60	32.00	32.00	50.00	55.00



DAOF5152Q

Straight ORFS Male - Metric Male + Retaining Ring + O Ring

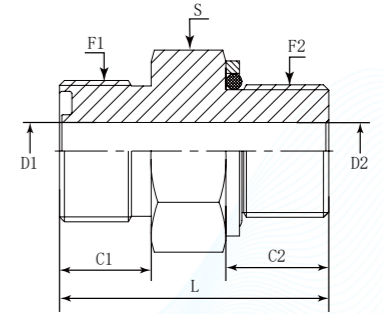
D	A	OF	5	1	52	0
Company	Product Range	Thread Types	Connection Type	Adaptor Structure	Thread Types	Connection Type
DME	Adaptor	ORFS UNF	Male + O Ring	Straight	Metric	Male + O Ring + Retaining Ring

German Technology Equipment

SHIELD FLEX

New-Standard

- DME&JDE Code:** DAOF5152Q
- Product Type:** Hydraulic adaptor
- Standard:** ORFS
- Structure:** Straight
- Connection Type:** Male x Male
- Thread Types:** UNF x Metric
- Thread Types:** O Ring + Retaining Ring



PART NUMBER	F1 (Thread)	F2 (Thread)	C1	C2	D1	D2	L	S
#	UNF	Metric	mm	mm	mm	mm	mm	mm
DAOF5152Q-0408	9/16"-18	M8X1	9.80	9.50	4.37	2.00	28.00	17.00
DAOF5152Q-0412	9/16"-18	M12X1.5	9.80	9.50	4.37	4.37	28.50	17.00
DAOF5152Q-0414	9/16"-18	M14X1.5	9.80	9.50	4.37	4.37	29.00	19.05
DAOF5152Q-0416	9/16"-18	M16X1.5	9.80	11.50	4.37	9.00	32.50	22.00
DAOF5152Q-0418	9/16"-18	M18X1.5	9.80	14.00	4.37	9.00	34.50	24.00
DAOF5152Q-0612	11/16"-16	M12X1.5	11.20	11.00	4.00	4.00	32.00	19.00
DAOF5152Q-0614	11/16"-16	M14X1.5	11.20	9.50	6.71	6.71	31.00	19.05
DAOF5152Q-0616	11/16"-16	M16X1.5	11.20	11.00	6.71	6.71	32.00	19.05
DAOF5152Q-0618	11/16"-16	M18X1.5	11.20	14.00	6.71	9.00	36.00	24.00
DAOF5152Q-0620	11/16"-16	M20X1.5	11.20	14.00	6.71	10.00	38.00	27.00
DAOF5152Q-0814	13/16"-16	M14X1.5	12.80	9.50	9.60	6.00	33.00	22.00
DAOF5152Q-0816	13/16"-16	M16X1.5	12.80	11.00	7.00	7.00	35.00	22.22
DAOF5152Q-0818	13/16"-16	M18X1.5	12.80	14.00	9.00	9.00	38.00	24.00
DAOF5152Q-0820	13/16"-16	M20X1.5	12.80	14.00	9.60	9.60	39.50	27.00
DAOF5152Q-0822	13/16"-16	M22X1.5	12.80	15.00	9.60	12.00	39.50	27.00
DAOF5152Q-0833	13/16"-16	M33X2	12.80	18.50	9.60	20.00	44.00	41.00
DAOF5152Q-1018	1"-14	M18X1.5	15.49	12.50	12.29	9.00	40.00	27.00
DAOF5152Q-1022	1"-14	M22X1.5	15.49	13.00	12.29	12.29	38.00	27.00
DAOF5152Q-1027	1"-14	M27X2	15.49	18.50	12.29	15.00	44.00	32.00
DAOF5152Q-1218	1-3/16"-12	M18X1.5	17.02	14.00	15.47	9.00	44.00	32.00
DAOF5152Q-1222	1-3/16"-12	M22X1.5	17.02	15.00	15.47	12.00	45.50	32.00
DAOF5152Q-1226	1-3/16"-12	M26X1.5	17.02	16.00	15.47	15.47	47.00	31.75
DAOF5152Q-1227	1-3/16"-12	M27X2	17.02	16.00	15.47	15.47	44.00	31.75
DAOF5152Q-1233	1-3/16"-12	M33X2	17.02	18.50	15.47	20.00	48.00	41.00
DAOF5152Q-1242	1-3/16"-12	M42X2	17.02	19.00	15.47	26.00	49.50	50.00
DAOF5152Q-1622	1-7/16"-12	M22X1.5	17.50	15.00	20.60	12.00	48.50	41.00
DAOF51065-1627	1-7/16"-12	M27X2	17.50	18.50	20.60	15.00	52.00	41.00
DAOF5152Q-1633	1-7/16"-12	M33X2	17.50	16.00	20.60	20.60	45.50	41.00
DAOF5152Q-2042	1-11/16"-12	M42X2	17.50	16.00	26.00	26.00	47.00	50.00
DAOF5152Q-2048	1-11/16"-12	M48X2	17.50	17.50	26.00	36.00	48.50	55.00



DAOF51525

Straight Connector ORFS Male - Metric Male + O Ring

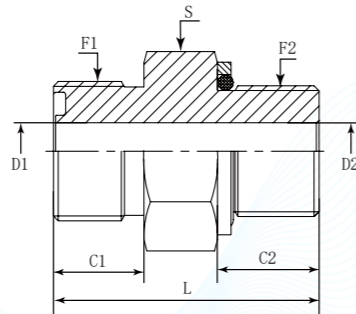
D	A	OF	5	1	52	5
Company	Product Range	Thread Types	Connection Type	Adaptor Structure	Thread Types	Connection Type
DME	Adaptor	ORFS UNF	Male + O Ring	Straight	Metric	Male + O Ring

German Technology Equipment

SHIELD FLEX

New-Standard

- DME&JDE Code: **DAOF51525**
- Product Type: **Hydraulic adaptor**
- Standard: **ORFS**
- Structure: **Straight**
- Connection Type: **Male x Male**
- Thread Types: **UNF x Metric + O Ring**
- Sealing Method: **O Ring**



PART NUMBER	F1 (Thread)	F2 (Thread)	C1	C2	D1	D2	L	S
#	UNF	Metric	mm	mm	mm	mm	mm	mm
DAOF51525-0408	9/16"-18	M8X1	9.80	9.50	4.37	2.00	28.00	17.00
DAOF51525-0412	9/16"-18	M12X1.5	9.80	9.50	4.37	4.37	28.50	17.00
DAOF51525-0414	9/16"-18	M14X1.5	9.80	9.50	4.37	4.37	29.00	19.05
DAOF51525-0416	9/16"-18	M16X1.5	9.80	11.50	4.37	9.00	32.50	22.00
DAOF51525-0418	9/16"-18	M18X1.5	9.80	14.00	4.37	9.00	34.50	24.00
DAOF51525-0612	11/16"-16	M12X1.5	11.20	11.00	4.00	4.00	32.00	19.00
DAOF51525-0614	11/16"-16	M14X1.5	11.20	9.50	6.71	6.71	31.00	19.05
DAOF51525-0616	11/16"-16	M16X1.5	11.20	11.00	6.71	6.71	32.00	19.05
DAOF51525-0618	11/16"-16	M18X1.5	11.20	14.00	6.71	9.00	36.00	24.00
DAOF51525-0620	11/16"-16	M20X1.5	11.20	14.00	6.71	10.00	38.00	27.00
DAOF51525-0814	13/16"-16	M14X1.5	12.80	9.50	9.60	6.00	33.00	22.00
DAOF51525-0816	13/16"-16	M16X1.5	12.80	11.00	7.00	7.00	35.00	22.22
DAOF51525-0818	13/16"-16	M18X1.5	12.80	14.00	9.00	9.00	38.00	24.00
DAOF51525-0820	13/16"-16	M20X1.5	12.80	14.00	9.60	9.60	39.50	27.00
DAOF51525-0822	13/16"-16	M22X1.5	12.80	15.00	9.60	12.00	39.50	27.00
DAOF51525-0833	13/16"-16	M33X2	12.80	18.50	9.60	20.00	44.00	41.00
DAOF51525-1018	1"-14	M18X1.5	15.49	12.50	12.29	9.00	40.00	27.00
DAOF51525-1022	1"-14	M22X1.5	15.49	13.00	12.29	12.29	38.00	27.00
DAOF51525-1027	1"-14	M27X2	15.49	18.50	12.29	15.00	44.00	32.00
DAOF51525-1218	1-3/16"-12	M18X1.5	17.02	14.00	15.47	9.00	44.00	32.00
DAOF51525-1222	1-3/16"-12	M22X1.5	17.02	15.00	15.47	12.00	45.50	32.00
DAOF51525-1226	1-3/16"-12	M26X1.5	17.02	16.00	15.47	15.47	47.00	31.75
DAOF51525-1227	1-3/16"-12	M27X2	17.02	16.00	15.47	15.47	44.00	31.75
DAOF51525-1233	1-3/16"-12	M33X2	17.02	18.50	15.47	20.00	48.00	41.00
DAOF51525-1242	1-3/16"-12	M42X2	17.02	19.00	15.47	26.00	49.50	50.00
DAOF51525-1622	1-7/16"-12	M22X1.5	17.50	15.00	20.60	12.00	48.50	41.00
DAOF51525-1627	1-7/16"-12	M27X2	17.50	18.50	20.60	15.00	52.00	41.00
DAOF51525-1633	1-7/16"-12	M33X2	17.50	16.00	20.60	20.60	45.50	41.00
DAOF51525-2042	1-11/16"-12	M42X2	17.50	16.00	26.00	26.00	47.00	50.00
DAOF51525-2048	1-11/16"-12	M48X2	17.50	17.50	26.00	36.00	48.50	55.00

DAOF51061

Straight Connector ORFS Male - BSPP Male with ED Ring

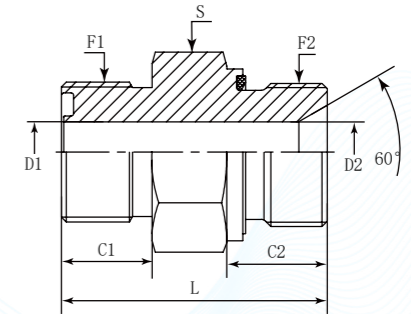
D	A	OF	5	1	061
Company	Product Range	Thread Types	Connection Type	Adaptor Structure	Connection Type
DME	Adaptor	ORFS UNF	Male + O Ring	Straight	BSPP Male with ED Ring

German Technology Equipment

SHIELD FLEX

New-Standard

- DME&JDE Code: **DAOF51061**
- Product Type: **Hydraulic adaptor**
- Standard: **ORFS**
- Structure: **Straight**
- Connection Type: **Male x Male**
- Thread Types: **UNF x BSPP with ED Ring**
- Sealing Method: **ED Ring**



PART NUMBER	F1 (Thread)	F2 (Thread)	C1	C2	D1	D2	L	S
#	UNF	BSPP	mm	mm	mm	mm	mm	mm
DAOF51061-0402	9/16"-18	1/8"-28	9.80	8.00	4.37	4.37	26.00	17.00
DAOF51061-0404	9/16"-18	1/4"-19	9.80	12.00	4.37	7.00	31.00	19.00
DAOF51061-0406	9/16"-18	3/8"-19	9.80	12.00	4.37	9.00	31.80	22.00
DAOF51061-0408	9/16"-18	1/2"-14	9.80	14.00	4.37	10.00	38.00	27.00
DAOF51061-0602	11/16"-16	1/8"-28	11.20	8.00	6.71	4.37	28.00	19.00
DAOF51061-0604	11/16"-16	1/4"-19	11.20	12.00	6.71	6.71	32.50	19.00
DAOF51061-0606	11/16"-16	3/8"-19	11.20	12.00	6.71	9.90	33.50	22.00
DAOF51061-0608	11/16"-16	1/2"-14	11.20	14.00	6.71	12.30	38.50	27.00
DAOF51061-0804	13/16"-16	1/4"-19	12.80	12.00	9.60	5.00	34.50	22.00
DAOF51061-0806	13/16"-16	3/8"-19	12.80	12.00	9.60	9.60	35.30	22.00
DAOF51061-0808	13/16"-16	1/2"-14	12.80	14.00	9.60	9.60	39.00	27.00
DAOF51061-0810	13/16"-16	5/8"-14	12.80	14.00	9.60	9.60	38.80	30.00
DAOF51061-0812	13/16"-16	3/4"-14	12.80	16.00	9.60	15.50	41.80	32.00
DAOF51061-1006	1"-14	3/8"-19	15.49	12.00	12.29	9.90	38.50	27.00
DAOF51061-1008	1"-14	1/2"-14	15.49	14.00	12.29	12.29	41.00	27.00
DAOF51061-1010	1"-14	5/8"-14	15.49	14.00	12.29	12.29	41.50	30.00
DAOF51061-1012	1"-14	3/4"-14	15.49	16.00	12.29	12.29	45.00	32.00
DAOF51061-1208	1-3/16"-12	1/2"-14	17.02	14.00	15.47	12.30	44.50	32.00
DAOF51061-1212	1-3/16"-12	3/4"-14	17.02	16.00	15.47	15.47	46.50	32.00
DAOF51061-1216	1-3/16"-12	1"-11	17.02	18.00	15.47	21.50	49.00	41.00
DAOF51061-1612	1-7/16"-12	3/4"-14	17.50	16.00	20.60	16.00	47.50	41.00
DAOF51061-1616	1-7/16"-12	1"-11	17.50	18.00	20.60	20.60	50.00	41.00
DAOF51061-1620	1-7/16"-12	1-1/4"-11	17.50	20.00	20.60	27.50	53.50	50.00
DAOF51061-2016	1-11/16"-12	1"-11	17.50	18.00	26.00	20.00	52.00	46.00
DAOF51061-2020	1-11/16"-12	1-1/4"-11	17.50	20.00	26.00	27.50	55.50	50.00
DAOF51061-2424	2"-12	1-1/2"-11	17.50	22.00	32.00	32.00	57.60	55.00

Certificate:



DAOF51521

Straight Connector ORFS Male - Metric Male with ED Ring

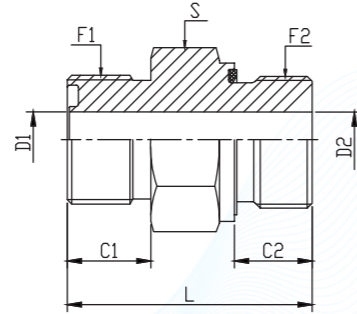
D	A	OF	5	1	521
Company	Product Range	Thread Types	Connection Type	Adaptor Structure	Connection Type
DME	Adaptor	ORFS UNF	Male	Straight	Metric Male with ED Ring

German Technology Equipment

SHIELD FLEX

New-Standard

- DME&JDE Code: **DAOF51521**
- Product Type: **Hydraulic adaptor**
- Standard: **ORFS**
- Structure: **Straight**
- Connection Type: **Male x Male**
- Thread Types: **UNF x Metric**
- Sealing Method: **ED Ring**



PART NUMBER	F1 (Thread)	F2 (Thread)	C1	C2	D1	D2	L	S
#	UNF	Metric	mm	mm	mm	mm	mm	mm
DAOF51521-0412	9/16"-18	M12X1.5	9.8	12	4.37	4.37	30	17
DAOF51521-0614	11/16"-16	M14X1.5	11.20	12.00	6.00	6.00	31.00	19.00
DAOF51521-0618	11/16"-16	M18X1.5	11.20	12.00	6.71	9.00	32.50	24.00
DAOF51521-0818	13/16"-16	M18X1.5	12.80	12.00	9.00	9.00	35.00	24.00
DAOF51521-0822	13/16"-16	M22X1.5	12.80	14.00	9.60	12.00	39.00	27.00
DAOF51521-1022	1"-14	M22X1.5	15.49	14.00	12.29	12.29	42.00	27.00
DAOF51521-1027	1"-14	M27X2	15.49	16.00	12.29	12.29	45.00	32.00
DAOF51521-1227	1-3/16"-12	M27X2	17.02	16.00	15.47	15.47	46.50	32.00

DAOF5128F

Straight Connector ORFS Male - NPTF Fixed Female

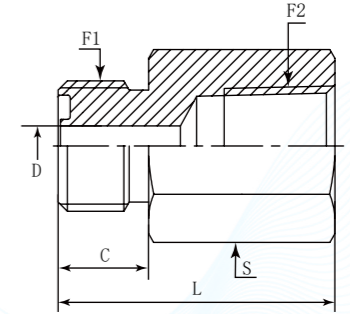
D	A	OF	5	1	28	F
Company	Product Range	Thread Types	Connection Type	Adaptor Structure	Thread Types	Connection Type
DME	Adaptor	ORFS UNF	Male + O Ring	Straight	NPTF	Female

German Technology Equipment

SHIELD FLEX

New-Standard

- DME&JDE Code: **DAOF5128F**
- Product Type: **Hydraulic adaptor**
- Standard: **ORFS**
- Structure: **Straight**
- Connection Type: **Male x Fixed Female**
- Thread Types: **UNF x NPTF**



PART NUMBER	F1 (Thread)	F2 (Thread)	C	D	L	S	Hex
#	UNF	NPTF	mm	mm	mm	-	-
DAOF5128F-0404	9/16"-18	1/4"-18	9.80	4.37	31.75	19 mm	Metric
DAOF5128F-0404IN	9/16"-18	1/4"-18	9.80	4.37	31.75	3/4"	Imperial
DAOF5128F-0606	11/16"-16	3/8"-18	11.20	6.71	33.00	22 mm	Metric
DAOF5128F-0606IN	11/16"-16	3/8"-18	11.20	6.71	33.00	7/8"	Imperial
DAOF5128F-0808	13/16"-16	1/2"-14	12.80	9.60	41.66	27 mm	Metric
DAOF5128F-0808IN	13/16"-16	1/2"-14	12.80	9.60	41.66	1-1/8"	Imperial
DAOF5128F-1008	1"-14	1/2"-14	15.50	12.50	43.50	27 mm	Metric
DAOF5128F-1008IN	1"-14	1/2"-14	15.50	12.50	43.50	1-1/8"	Imperial
DAOF5128F-1212	1-3/16"-12	3/4"-14	17.02	15.47	47.37	32 mm	Metric
DAOF5128F-1212IN	1-3/16"-12	3/4"-14	17.02	15.47	47.37	1-1/4"	Imperial
DAOF5128F-1616	1-7/16"-12	1"-11-1/2	17.50	20.60	51.00	41 mm	Metric
DAOF5128F-1616IN	1-7/16"-12	1"-11-1/2	17.50	20.60	51.00	1-1/2"	Imperial
DAOF5128F-2020	1-11/16"-12	1-1/4"-11-1/2	17.50	26.00	50.00	50 mm	Metric
DAOF5128F-2020IN	1-11/16"-12	1-1/4"-11-1/2	17.50	26.00	50.00	1-7/8"	Imperial

Certificate:



DAOF51241

Straight Connector ORFS Male - ORFS Swivel Female

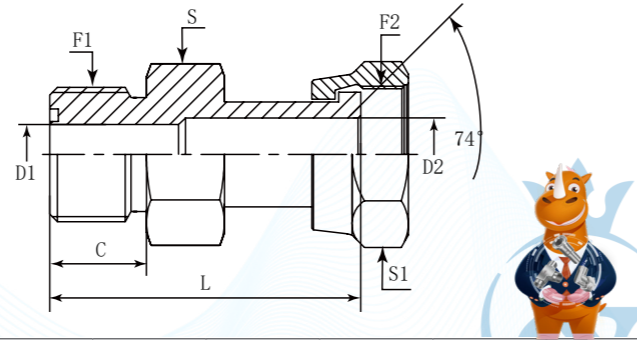
D	A	OF	5	1	241
Company	Product Range	Thread Types	Connection Type	Adaptor Structure	Connection Type
DME	Adaptor	ORFS UNF	Male + O Ring	Straight	ORFS Swivel Female

German Technology Equipment

SHIELD FLEX

New-Standard

- DME&JDE Code:** DAOF51241
- Product Type:** Hydraulic adaptor
- Standard:** ORFS
- Structure:** Straight
- Connection Type:** Male x Swivel Female
- Thread Types:** ORFS UNF x ORFS UNF 74°



PART NUMBER	F1 (Thread)	F2 (Thread)	C	D1	D2	L	S	S1	Hex
#	UNF	UNF	mm	mm	mm	mm	-	-	-
DAOF51241-0404	9/16"-18	9/16"-18	9.80	4.19	4.19	35.00	17 mm	17 mm	Metric
DAOF51241-0406	9/16"-18	11/16"-16	9.80	4.50	6.71	37.00	19 mm	22 mm	Metric
DAOF51241-0410	9/16"-18	1"-14	9.80	4.37	11.51	44.50	27 mm	30 mm	Metric
DAOF51241-0412	9/16"-18	1-3/16"-12	9.80	4.37	13.89	49.00	32 mm	36 mm	Metric
DAOF51241-0416	9/16"-18	1-7/16"-12	9.80	4.37	19.89	51.50	36 mm	41 mm	Metric
DAOF51241-0404IN	9/16"-18	9/16"-18	9.80	4.19	4.19	35.00	5/8"	11/16"	Imperial
DAOF51241-0406IN	9/16"-18	11/16"-16	9.80	4.50	6.71	37.00	3/4"	7/8"	Imperial
DAOF51241-0410IN	9/16"-18	1"-14	9.80	4.37	11.51	44.50	1-1/8"	1-1/8"	Imperial
DAOF51241-0412IN	9/16"-18	1-3/16"-12	9.80	4.37	13.89	49.00	1-1/4"	1-3/8"	Imperial
DAOF51241-0416IN	9/16"-18	1-7/16"-12	9.80	4.37	19.89	51.50	1-3/8"	1-5/8"	Imperial
DAOF51241-0604	11/16"-16	9/16"-18	11.20	6.71	4.19	36.50	19 mm	17 mm	Metric
DAOF51241-0606	11/16"-16	11/16"-16	11.20	6.71	6.71	38.50	19 mm	22 mm	Metric
DAOF51241-0608	11/16"-16	13/16"-16	11.20	6.71	9.09	40.00	19 mm	24 mm	Metric
DAOF51241-0610	11/16"-16	1"-14	11.20	6.71	11.51	46.00	27 mm	30 mm	Metric
DAOF51241-0612	11/16"-16	1-3/16"-12	11.20	6.71	13.89	50.80	32 mm	36 mm	Metric
DAOF51241-0604IN	11/16"-16	9/16"-18	11.20	6.71	4.19	36.50	3/4"	11/16"	Imperial
DAOF51241-0606IN	11/16"-16	11/16"-16	11.20	6.71	6.71	38.50	3/4"	7/8"	Imperial
DAOF51241-0608IN	11/16"-16	13/16"-16	11.20	6.71	9.09	40.00	3/4"	15/16"	Imperial
DAOF51241-0610IN	11/16"-16	1"-14	11.20	6.71	11.51	46.00	1-1/8"	1-1/8"	Imperial
DAOF51241-0612IN	11/16"-16	1-3/16"-12	11.20	6.71	13.89	50.80	1-1/4"	1-3/8"	Imperial
DAOF51241-0806	13/16"-16	11/16"-16	12.80	9.60	6.71	40.50	22	22 mm	Metric
DAOF51241-0808	13/16"-16	13/16"-16	12.80	9.09	9.09	43.50	22	24 mm	Metric

Web: <https://www.dmejde.com>
E-mail: info@dmejde.com



DAOF51241-0810	13/16"-16	1"-14	12.80	9.60	11.51	48.00	27	30 mm	Metric
DAOF51241-0812	13/16"-16	1-3/16"-12	12.80	9.60	13.89	52.00	32	36 mm	Metric
DAOF51241-0816	13/16"-16	1-7/16"-12	12.80	9.60	19.89	54.00	36	41 mm	Metric
DAOF51241-0806IN	13/16"-16	11/16"-16	12.80	9.60	6.71	40.50	7/8"	7/8"	Imperial
DAOF51241-0808IN	13/16"-16	13/16"-16	12.80	9.09	9.09	43.50	7/8"	15/16"	Imperial
DAOF51241-0810IN	13/16"-16	1"-14	12.80	9.60	11.51	48.00	1-1/8"	1-1/8"	Imperial
DAOF51241-0812IN	13/16"-16	1-3/16"-12	12.80	9.60	13.89	52.00	1-1/4"	1-3/8"	Imperial
DAOF51241-0816IN	13/16"-16	1-7/16"-12	12.80	9.60	19.89	54.00	1-3/8"	1-5/8"	Imperial
DAOF51241-1008	1"-14	13/16"-16	15.49	12.50	9.09	48.50	27	24 mm	Metric
DAOF51241-1010	1"-14	1"-14	15.49	11.51	11.51	52.00	27	30 mm	Metric
DAOF51241-1012	1"-14	1-3/16"-12	15.49	12.29	13.89	56.50	32	36 mm	Metric
DAOF51241-1008IN	1"-14	13/16"-16	15.49	12.50	9.09	48.50	1-1/8"	15/16"	Imperial
DAOF51241-1010IN	1"-14	1"-14	15.49	11.51	11.51	52.00	1-1/8"	1-1/8"	Imperial
DAOF51241-1012IN	1"-14	1-3/16"-12	15.49	12.29	13.89	56.50	1-1/4"	1-3/8"	Imperial
DAOF51241-1208	1-3/16"-12	13/16"-16	17.02	15.47	9.09	51.00	32	24 mm	Metric
DAOF51241-1210	1-3/16"-12	1"-14	17.02	15.47	11.51	55.00	32	30 mm	Metric
DAOF51241-1212	1-3/16"-12	1-3/16"-12	17.02	13.89	13.89	58.00	32	36 mm	Metric
DAOF51241-1216	1-3/16"-12	1-7/16"-12	17.02	15.47	19.89	60.50	36	41 mm	Metric
DAOF51241-1208IN	1-3/16"-12	13/16"-16	17.02	15.47	9.09	51.00	1-1/4"	15/16"	Imperial
DAOF51241-1210IN	1-3/16"-12	1"-14	17.02	15.47	11.51	55.00	1-1/4"	1-1/8"	Imperial
DAOF51241-1212IN	1-3/16"-12	1-3/16"-12	17.02	13.89	13.89	58.00	1-1/4"	1-3/8"	Imperial
DAOF51241-1216IN	1-3/16"-12	1-7/16"-12	17.02	15.47	19.89	60.50	1-3/8"	1-5/8"	Imperial
DAOF51241-1608	1-7/16"-12	13/16"-16	17.50	20.60	9.09	53.00	38	24 mm	Metric
DAOF51241-1612	1-7/16"-12	1-3/16"-12	17.50	20.60	13.89	60.00	38	36 mm	Metric
DAOF51241-1616	1-7/16"-12	1-7/16"-12	17.50	19.89	19.89	62.00	38	41 mm	Metric
DAOF51241-1620	1-7/16"-12	1-11/16"-12	17.50	20.60	26.01	60.00	41	50 mm	Metric
DAOF51241-1608IN	1-7/16"-12	13/16"-16	17.50	20.60	9.09	53.00	1-1/2"	15/16"	Imperial
DAOF51241-1612IN	1-7/16"-12	1-3/16"-12	17.50	20.60	13.89	60.00	1-1/2"	1-3/8"	Imperial
DAOF51241-1616IN	1-7/16"-12	1-7/16"-12	17.50	19.89	19.89	62.00	1-1/2"	1-5/8"	Imperial
DAOF51241-1620IN	1-7/16"-12	1-11/16"-12	17.50	20.60	26.01	60.00	1-1/2"	1-7/8"	Imperial
DAOF51241-2016	1-11/16"-12	1-7/16"-12	17.50	26.00	19.89	61.50	46	41 mm	Metric
DAOF51241-2020	1-11/16"-12	1-11/16"-12	17.50	26.00	26.00	66.50	48	50 mm	Metric
DAOF51241-2024	1-11/16"-12	2"-12	17.50	26.00	32.00	66.00	50	60 mm	Metric
DAOF51241-2016IN	1-11/16"-12	1-7/16"-12	17.50	26.00	19.89	61.50	1-3/4"	1-5/8"	Imperial
DAOF51241-2020IN	1-11/16"-12	1-11/16"-12	17.50	26.00	26.00	66.50	1-7/8"	1-7/8"	Imperial
DAOF51241-2024IN	1-11/16"-12	2"-12	17.50	26.00	32.00	66.00	2"	2-1/4"	Imperial
DAOF51241-2424	2"-12	2"-12	17.50	32.00	32.00	66.00	55	60 mm	Metric
DAOF51241-2424IN	2"-12	2"-12	17.50	32.00	32.00	66.00	2-1/8"	2-1/4"	Imperial



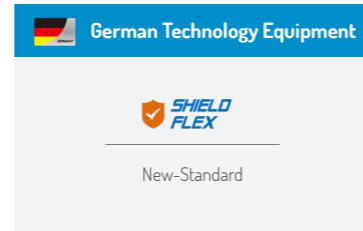
Web: <https://www.dmejde.com>
E-mail: info@dmejde.com



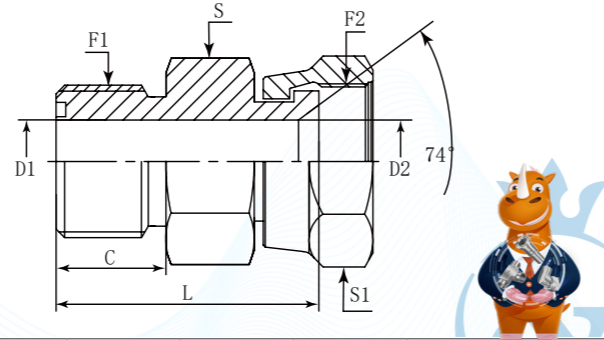
DAOF51251

Straight Connector ORFS Male - JIC 74° Swivel Female

D	A	OF	5	1	251
Company	Product Range	Thread Types	Connection Type	Adaptor Structure	Connection Type
DME	Adaptor	ORFS UNF	Male + O Ring	Straight	JIC Swivel Female



- DME&JDE Code: **DAOF51251**
- Product Type: **Hydraulic adaptor**
- Standard: **ORFS**
- Structure: **Straight**
- Connection Type: **Male x Swivel Female**
- Thread Types: **UNF x UNF 74°**



PART NUMBER	F1 (Thread)	F2 (Thread)	C	D1	D2	L	S	S1	Hex
#	UNF	UNF	mm	mm	mm	mm	-	-	-
DAOF51251-0404	9/16"-18	7/16"-20	9.80	4.37	4.37	25.70	17 mm	14 mm	Metric
DAOF51251-0606	11/16"-16	9/16"-18	11.20	6.71	6.71	30.23	19 mm	19 mm	Metric
DAOF51251-0808	13/16"-16	3/4"-16	12.80	9.50	9.50	34.24	22 mm	22 mm	Metric
DAOF51251-1010	1"-14	7/8"-14	15.49	12.29	12.29	38.00	27 mm	27 mm	Metric
DAOF51251-1210	1-3/16"-12	7/8"-14	17.02	15.47	12.29	42.50	32 mm	27 mm	Metric
DAOF51251-1212	1-3/16"-12	1-1/16"-12	17.02	15.47	15.47	43.35	32 mm	32 mm	Metric
DAOF51251-1616	1-7/16"-12	1-5/16"-12	17.50	20.50	20.50	47.40	41 mm	41 mm	Metric
DAOF51251-2020	1-11/16"-12	1-5/8"-12	17.50	26.00	26.00	50.00	46 mm	50 mm	Metric
DAOF51251-2424	2"-12	1-7/8"-12	17.50	32.00	32.00	52.00	55 mm	60 mm	Metric
DAOF51251-0404IN	9/16"-18	7/16"-20	9.80	4.37	4.37	25.70	5/8"	9/16"	Imperial
DAOF51251-0606IN	11/16"-16	9/16"-18	11.20	6.71	6.71	30.23	3/4"	11/16"	Imperial
DAOF51251-0808IN	13/16"-16	3/4"-16	12.80	9.50	9.50	34.24	7/8"	7/8"	Imperial
DAOF51251-1010IN	1"-14	7/8"-14	15.49	12.29	12.29	38.00	1-1/16"	1"	Imperial
DAOF51251-1210IN	1-3/16"-12	7/8"-14	17.02	15.47	12.29	42.50	1-1/4"	1"	Imperial
DAOF51251-1212IN	1-3/16"-12	1-1/16"-12	17.02	15.47	15.47	43.35	1-1/4"	1-1/4"	Imperial
DAOF51251-1616IN	1-7/16"-12	1-5/16"-12	17.50	20.50	20.50	47.40	1-1/2"	1-1/2"	Imperial
DAOF51251-2020IN	1-11/16"-12	1-5/8"-12	17.50	26.00	26.00	50.00	1-3/4"	2"	Imperial
DAOF51251-2424IN	2"-12	1-7/8"-12	17.50	32.00	32.00	52.00	2-1/8"	2-1/2"	Imperial

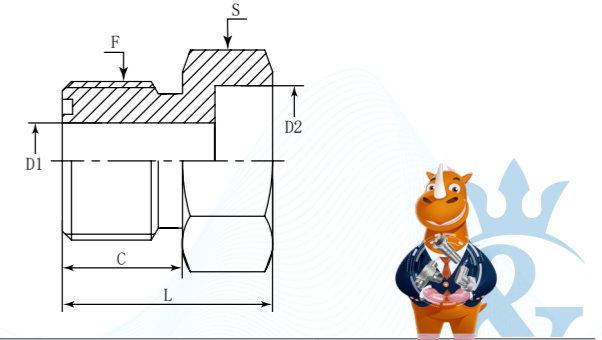
DAOF5100B

Straight Connector ORFS Male - Metric / Imperial Tube - Socket Welding-SW

D	A	OF	5	1	00	B
Company	Product Range	Thread Types	Sealing Method	Adaptor Structure	Sealing Type	Welding Type
DME	Adaptor	ORFS UNF	Male + O Ring	Straight	Welding	Socket



- DME&JDE Code: **DAOF5100B**
- Product Type: **Hydraulic adaptor**
- Standard: **ORFS**
- Structure: **Straight**
- Connection Type: **Male**
- Thread Types: **UNF**
- Sealing Method: **Welding**



PART NUMBER	F (Thread)	C	D1	D2	L	S	Hex
#	UNF	mm	mm	mm	mm	-	-
DAOF5100B-0406	9/16"-18	9.80	4.37	6.50	21.84	17 mm	Metric
DAOF5100B-0410	9/16"-18	9.80	4.37	9.53	22.86	19 mm	Metric
DAOF5100B-0406IN	9/16"-18	9.80	4.37	6.50	21.84	5/8"	Imperial
DAOF5100B-0410IN	9/16"-18	9.80	4.37	9.53	22.86	3/4"	Imperial
DAOF5100B-0612	11/16"-16	11.20	6.71	12.85	22.86	22 mm	Metric
DAOF5100B-0612IN	11/16"-16	11.20	6.71	12.85	22.86	7/8"	Imperial
DAOF5100B-0810	13/16"-16	12.80	7.54	9.68	24.64	22 mm	Metric
DAOF5100B-0816	13/16"-16	12.80	9.60	16.03	24.64	22 mm	Metric
DAOF5100B-0820	13/16"-16	12.80	9.60	19.23	28.60	27 mm	Metric
DAOF5100B-0810IN	13/16"-16	12.80	7.54	9.68	24.64	7/8"	Imperial
DAOF5100B-0816IN	13/16"-16	12.80	9.60	16.03	24.64	7/8"	Imperial
DAOF5100B-0820IN	13/16"-16	12.80	9.60	19.23	28.60	1-1/16"	Imperial
DAOF5100B-1016	1"-14	15.49	12.29	16.03	27.18	27 mm	Metric
DAOF5100B-1020	1"-14	15.49	12.29	19.23	31.25	32 mm	Metric
DAOF5100B-1016IN	1"-14	15.49	12.29	16.03	27.18	1-1/16"	Imperial
DAOF5100B-1020IN	1"-14	15.49	12.29	19.23	31.25	1-1/4"	Imperial
DAOF5100B-1216	1-3/16"-12	17.02	12.29	16.03	30.00	32 mm	Metric
DAOF5100B-1220	1-3/16"-12	17.02	15.47	19.23	33.50	32 mm	Metric
DAOF5100B-1225	1-3/16"-12	17.02	15.47	25.58	35.05	41 mm	Metric
DAOF5100B-1216IN	1-3/16"-12	17.02	12.29	16.03	30.00	1-1/4"	Imperial
DAOF5100B-1220IN	1-3/16"-12	17.02	15.47	19.23	33.50	1-1/4"	Imperial
DAOF5100B-1225IN	1-3/16"-12	17.02	15.47	25.58	35.05	1-1/2"	Imperial
DAOF5100B-1620	1-7/16"-12	17.50	15.47	19.23	37.10	41 mm	Metric
DAOF5100B-1625	1-7/16"-12	17.50	20.50	25.58	38.10	41 mm	Metric
DAOF5100B-1632	1-7/16"-12	17.50	20.60	31.95	38.60	46 mm	Metric
DAOF5100B-1620IN	1-7/16"-12	17.50	15.47	19.23	37.10	1-1/2"	Imperial
DAOF5100B-1625IN	1-7/16"-12	17.50	20.50	25.58	38.10	1-1/2"	Imperial
DAOF5100B-1632IN	1-7/16"-12	17.50	20.60	31.95	38.60	1-3/4"	Imperial
DAOF5100B-2025	1-11/16"-12	17.50	20.60	25.58	38.61	46 mm	Metric
DAOF5100B-2032	1-11/16"-12	17.50	26.01	31.95	38.60	46 mm	Metric
DAOF5100B-2038	1-11/16"-12	17.50	26.01	38.30	38.60	55 mm	Metric
DAOF5100B-2025IN	1-11/16"-12	17.50	20.60	25.58	38.61	1-3/4"	Imperial
DAOF5100B-2032IN	1-11/16"-12	17.50	26.01	31.95	38.60	1-3/4"	Imperial
DAOF5100B-2038IN	1-11/16"-12	17.50	26.01	38.30	38.60	2-1/8"	Imperial
DAOF5100B-2438	2"-12	17.50	32.00	38.30	38.60	55 mm	Metric
DAOF5100B-2438IN	2"-12	17.50	32.00	38.30	38.60	2-1/8"	Imperial

DAOF51000

ORFS Male Plug

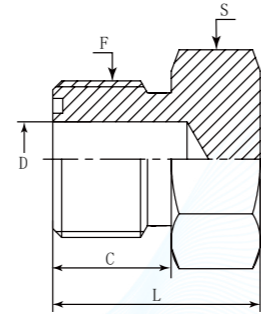
D	A	OF	S	1	000
Company	Product Range	Thread Types	Sealing Type	Adaptor Structure	Other Features
DME	Adaptor	ORFS UNF	Male + O Ring	Straight	Nut/Plug

German Technology Equipment

SHIELD FLEX

New-Standard

- DME&JDE Code: **DAOF51000**
- Product Type: **Hydraulic adaptor**
- Standard: **ORFS**
- Connection Type: **Male**
- Thread types: **UNF**
- Other Features: **Nut/Plug**



PART NUMBER	F (Thread)	C	D	L	S	Hex
#	UNF	mm	mm	mm	-	-
DAOF51000-0400	9/16"-18	9.80	4.37	16.70	17 mm	Metric
DAOF51000-0400IN	9/16"-18	9.80	4.37	16.70	5/8"	Imperial
DAOF51000-0600	11/16"-16	11.20	6.71	19.10	19 mm	Metric
DAOF51000-0600IN	11/16"-16	11.20	6.71	19.10	3/4"	Imperial
DAOF51000-0800	13/16"-16	12.80	9.60	21.70	22 mm	Metric
DAOF51000-0800IN	13/16"-16	12.80	9.60	21.70	7/8"	Imperial
DAOF51000-1000	1"-14	15.49	12.29	25.90	27 mm	Metric
DAOF51000-1000IN	1"-14	15.49	12.29	25.90	1-1/16"	Imperial
DAOF51000-1200	1-3/16"-12	17.02	15.47	27.40	32 mm	Metric
DAOF51000-1200IN	1-3/16"-12	17.02	15.47	27.40	1-1/4"	Imperial
DAOF51000-1600	1-7/16"-12	17.50	20.60	27.90	41 mm	Metric
DAOF51000-1600IN	1-7/16"-12	17.50	20.60	27.90	1-1/2"	Imperial
DAOF51000-2000	1-11/16"-12	17.50	26.00	27.90	46 mm	Metric
DAOF51000-2000IN	1-11/16"-12	17.50	26.00	27.90	1-3/4"	Imperial
DAOF51000-2400	2"-12	17.50	32.00	27.90	55 mm	Metric
DAOF51000-2400IN	2"-12	17.50	32.00	27.90	2-1/8"	Imperial
DAOF51000-3200	2-1/2"-12	22.25	45.00	35.50	70 mm	Metric
DAOF51000-3200IN	2-1/2"-12	22.25	45.00	35.50	2-3/4"	Imperial

DAOF11305

Straight Connector ORFS Swivel Female - SAE Male O Ring

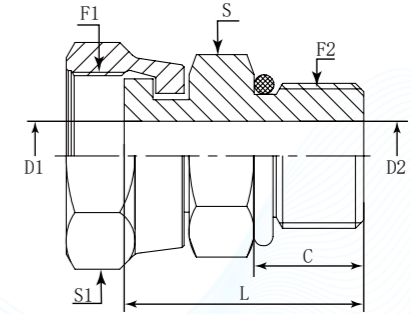
D	A	OF	1	1	30	5
Company	Product Range	Thread Types	Connection Type	Adaptor Structure	Thread Types	Connection Type
DME	Adaptor	ORFS UNF	Swivel Female	Straight	SAE UNF	Male O Ring

German Technology Equipment

SHIELD FLEX

New-Standard

- DME&JDE Code: **DAOF11305**
- Product Type: **Hydraulic adaptor**
- Standard: **ORFS**
- Structure: **Straight**
- Connection Type: **Swivel Female x Male**
- Thread Types: **ORFS UNF x SAE UNF + O Ring**
- Sealing Method: **O Ring**



PART NUMBER	F1 (Thread)	F2 (Thread)	C	D1	D2	L	S	S1	Hex
#	UNF	UNF	mm	mm	mm	mm	-	-	-
DAOF11305-0404	9/16"-18	7/16"-20	11.00	4.19	4.19	37.00	17 mm	17 mm	Metric
DAOF11305-0404IN	9/16"-18	7/16"-20	11.00	4.19	4.19	37.00	5/8"	11/16"	Imperial
DAOF11305-0606	11/16"-16	9/16"-18	11.99	6.71	6.71	39.30	19 mm	22 mm	Metric
DAOF11305-0606IN	11/16"-16	9/16"-18	11.99	6.71	6.71	39.30	3/4"	13/16"	Imperial
DAOF11305-0806	13/16"-16	9/16"-18	11.99	9.09	7.54	47.00	22 mm	24 mm	Metric
DAOF11305-0808	13/16"-16	3/4"-16	14.00	9.09	9.09	45.50	22 mm	24 mm	Metric
DAOF11305-0806IN	13/16"-16	9/16"-18	11.99	9.09	7.54	47.00	7/8"	15/16"	Imperial
DAOF11305-0808IN	13/16"-16	3/4"-16	14.00	9.09	9.09	45.50	7/8"	15/16"	Imperial
DAOF11305-1008	1"-14	3/4"-16	14.00	11.50	10.00	56.10	27 mm	30 mm	Metric
DAOF11305-1010	1"-14	7/8"-14	16.00	11.50	12.29	53.85	27 mm	30 mm	Metric
DAOF11305-1008IN	1"-14	3/4"-16	14.00	11.50	10.00	56.10	1-1/16"	1-1/8"	Imperial
DAOF11305-1010IN	1"-14	7/8"-14	16.00	11.50	12.29	53.85	1-1/16"	1-1/8"	Imperial
DAOF11305-1210	1-3/16"-12	7/8"-14	16.00	13.89	12.29	59.50	32 mm	36 mm	Metric
DAOF11305-1212	1-3/16"-12	1-1/16"-12	18.49	13.89	15.47	59.60	32 mm	36 mm	Metric
DAOF11305-1210IN	1-3/16"-12	7/8"-14	16.00	13.89	12.29	59.50	1-1/4"	1-3/8"	Imperial
DAOF11305-1212IN	1-3/16"-12	1-1/16"-12	18.49	13.89	15.47	59.60	1-1/4"	1-3/8"	Imperial
DAOF11305-1616	1-7/16"-12	1-5/16"-12	18.49	19.89	19.89	62.60	41 mm	41 mm	Metric
DAOF11305-1616IN	1-7/16"-12	1-5/16"-12	18.49	19.89	19.89	62.60	1-1/2"	1-5/8"	Imperial
DAOF11305-2020	1-11/16"-12	1-5/8"-12	18.49	26.01	26.01	67.51	50 mm	50 mm	Metric
DAOF11305-2020IN	1-11/16"-12	1-5/8"-12	18.49	26.01	26.01	67.51	1-7/8"	1-7/8"	Imperial
DAOF11305-2424	2"-12	1-7/8"-12	18.50	32.00	32.00	67.50	55 mm	60 mm	Metric
DAOF11305-2424IN	2"-12	1-7/8"-12	18.50	32.00	32.00	67.50	2-1/8"	2-1/4"	Imperial

DAOF31245

Straight Connector ORFS Swivel Female - ORFS Male

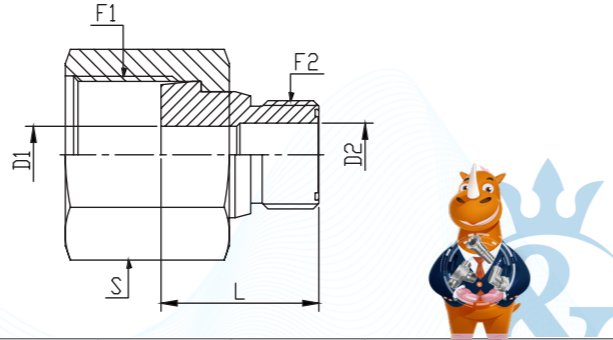
D	A	OF	3	1	24	5
Company	Product Range	Thread Types	Connection Type	Adaptor Structure	Thread Types	Sealing Type
DME	Adaptor	ORFS UNF	Female	Straight	ORFS UNF	Male+O Ring

German Technology Equipment

SHIELD FLEX

New-Standard

- DME&JDE Code:** DAOF31245
- Product Type:** Hydraulic adaptor
- Standard:** ORFS
- Structure:** Straight
- Connection Type:** Swivel Female x Male
- Thread Types:** UNF x UNF



PART NUMBER	F1 (Thread)	F2 (Thread)	D1	D2	L	S	Hex
#	UNF	UNF	mm	mm	mm	-	-
DAOF31245-0404	9/16"-18	9/16"-18	4.19	4.19	18.60	17 mm	Metric
DAOF31245-0406	9/16"-18	11/16"-16	4.20	4.20	17.80	17 mm	Metric
DAOF31245-0408	9/16"-18	13/16"-16	4.19	4.19	19.40	17 mm	Metric
DAOF31245-0404IN	9/16"-18	9/16"-18	4.19	4.19	18.60	11/16"	Imperial
DAOF31245-0406IN	9/16"-18	11/16"-16	4.20	4.20	17.80	11/16"	Imperial
DAOF31245-0408IN	9/16"-18	13/16"-16	4.19	4.19	19.40	11/16"	Imperial
DAOF31245-0604	11/16"-16	9/16"-18	4.37	4.37	19.56	22 mm	Metric
DAOF31245-0606	11/16"-16	11/16"-16	6.71	6.71	20.50	22 mm	Metric
DAOF31245-0608	11/16"-16	13/16"-16	6.71	9.60	23.30	22 mm	Metric
DAOF31245-0612	11/16"-16	1-3/16"-12	6.71	15.47	27.00	22 mm	Metric
DAOF31245-0604IN	11/16"-16	9/16"-18	4.37	4.37	19.56	13/16"	Imperial
DAOF31245-0606IN	11/16"-16	11/16"-16	6.71	6.71	20.50	13/16"	Imperial
DAOF31245-0608IN	11/16"-16	13/16"-16	6.71	9.60	23.30	13/16"	Imperial
DAOF31245-0612IN	11/16"-16	1-3/16"-12	6.71	15.47	27.00	13/16"	Imperial
DAOF31245-0804	13/16"-16	9/16"-18	4.37	4.37	21.84	24 mm	Metric
DAOF31245-0806	13/16"-16	11/16"-16	6.71	6.71	22.35	24 mm	Metric
DAOF31245-0808	13/16"-16	13/16"-16	9.60	9.60	24.00	24 mm	Metric
DAOF31245-0810	13/16"-16	1"-14	9.09	12.29	26.40	24 mm	Metric
DAOF31245-0812	13/16"-16	1-3/16"-12	9.09	15.47	27.50	24 mm	Metric
DAOF31245-0804IN	13/16"-16	9/16"-18	4.37	4.37	21.84	15/16"	Imperial
DAOF31245-0806IN	13/16"-16	11/16"-16	6.71	6.71	22.35	15/16"	Imperial
DAOF31245-0808IN	13/16"-16	13/16"-16	9.60	9.60	24.00	15/16"	Imperial
DAOF31245-0810IN	13/16"-16	1"-14	9.09	12.29	26.40	15/16"	Imperial
DAOF31245-0812IN	13/16"-16	1-3/16"-12	9.09	15.47	27.50	15/16"	Imperial

Web: <https://www.dmejde.com>
E-mail: info@dmejde.com



DAOF31245-1004	1"-14	9/16"-18	4.37	4.37	22.86	30 mm	Metric
DAOF31245-1006	1"-14	11/16"-16	6.71	6.71	24.20	30 mm	Metric
DAOF31245-1008	1"-14	13/16"-16	9.60	9.60	25.65	30 mm	Metric
DAOF31245-1010	1"-14	1"-14	11.51	11.51	28.50	30 mm	Metric
DAOF31245-1012	1"-14	1-3/16"-12	15.47	15.47	27.00	30 mm	Metric
DAOF31245-1004IN	1"-14	9/16"-18	4.37	4.37	22.86	1-1/8"	Imperial
DAOF31245-1006IN	1"-14	11/16"-16	6.71	6.71	24.20	1-1/8"	Imperial
DAOF31245-1008IN	1"-14	13/16"-16	9.60	9.60	25.65	1-1/8"	Imperial
DAOF31245-1010IN	1"-14	1"-14	11.51	11.51	28.50	1-1/8"	Imperial
DAOF31245-1012IN	1"-14	1-3/16"-12	15.47	15.47	27.00	1-1/8"	Imperial
DAOF31245-1204	1-3/16"-12	9/16"-18	4.37	4.37	24.90	36 mm	Metric
DAOF31245-1206	1-3/16"-12	11/16"-16	6.71	6.71	26.16	36 mm	Metric
DAOF31245-1208	1-3/16"-12	13/16"-16	9.60	9.60	27.69	36 mm	Metric
DAOF31245-1210	1-3/16"-12	1"-14	12.29	12.29	30.40	36 mm	Metric
DAOF31245-1216	1-3/16"-12	1-7/16"-12	15.47	15.47	31.50	36 mm	Metric
DAOF31245-1204IN	1-3/16"-12	9/16"-18	4.37	4.37	24.90	1-3/8"	Imperial
DAOF31245-1206IN	1-3/16"-12	11/16"-16	6.71	6.71	26.16	1-3/8"	Imperial
DAOF31245-1208IN	1-3/16"-12	13/16"-16	9.60	9.60	27.69	1-3/8"	Imperial
DAOF31245-1210IN	1-3/16"-12	1"-14	12.29	12.29	30.40	1-3/8"	Imperial
DAOF31245-1216IN	1-3/16"-12	1-7/16"-12	15.47	15.47	31.50	1-3/8"	Imperial
DAOF31245-1604	1-7/16"-12	9/16"-18	4.37	4.37	26.21	41 mm	Metric
DAOF31245-1606	1-7/16"-12	11/16"-16	6.71	6.71	27.61	41 mm	Metric
DAOF31245-1608	1-7/16"-12	13/16"-16	9.60	9.60	29.21	41 mm	Metric
DAOF31245-1610	1-7/16"-12	1"-14	12.29	12.29	31.90	41 mm	Metric
DAOF31245-1612	1-7/16"-12	1-3/16"-12	15.47	15.47	33.00	41 mm	Metric
DAOF31245-1616	1-7/16"-12	1-7/16"-12	19.89	19.89	33.50	41 mm	Metric
DAOF31245-1604IN	1-7/16"-12	9/16"-18	4.37	4.37	26.21	1-5/8"	Imperial
DAOF31245-1606IN	1-7/16"-12	11/16"-16	6.71	6.71	27.61	1-5/8"	Imperial
DAOF31245-1608IN	1-7/16"-12	13/16"-16	9.60	9.60	29.21	1-5/8"	Imperial
DAOF31245-1610IN	1-7/16"-12	1"-14	12.29	12.29	31.90	1-5/8"	Imperial
DAOF31245-1612IN	1-7/16"-12	1-3/16"-12	15.47	15.47	33.00	1-5/8"	Imperial
DAOF31245-1616IN	1-7/16"-12	1-7/16"-12	19.89	19.89	33.50	1-5/8"	Imperial
DAOF31245-2012	1-11/16"-12	1-3/16"-12	15.47	15.47	33.53	50 mm	Metric
DAOF31245-2016	1-11/16"-12	1-7/16"-12	20.60	20.60	38.46	50 mm	Metric
DAOF31245-2012IN	1-11/16"-12	1-3/16"-12	15.47	15.47	33.53	1-7/8"	Imperial
DAOF31245-2016IN	1-11/16"-12	1-7/16"-12	20.60	20.60	38.46	1-7/8"	Imperial
DAOF31245-2412	2"-12	1-3/16"-12	15.50	15.50	33.53	60 mm	Metric
DAOF31245-2416	2"-12	1-7/16"-12	20.60	20.60	34.04	60 mm	Metric
DAOF31245-2420	2"-12	1-11/16"-12	26.00	26.00	34.04	60 mm	Metric
DAOF31245-2412IN	2"-12	1-3/16"-12	15.50	15.50	33.53	2-1/4"	Imperial
DAOF31245-2416IN	2"-12	1-7/16"-12	20.60	20.60	34.04	2-1/4"	Imperial
DAOF31245-2420IN	2"-12	1-11/16"-12	26.00	26.00	34.04	2-1/4"	Imperial
DAOF31245-3224	2-1/2"-12	2"-12	32.00	32.00	40.50	73 mm	Metric
DAOF31245-3224IN	2-1/2"-12	2"-12	32.00	32.00	40.50	2-7/8"	Imperial



Web: <https://www.dmejde.com>
E-mail: info@dmejde.com



DAOF1105M

Straight Connector ORFS Female Swivel - BSPP 60° Male Cone

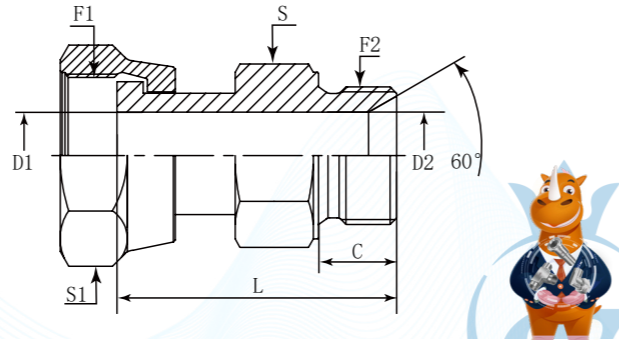
D	A	OF	1	1	05	M
Company	Product Range	Thread Types	Connection Type	Adaptor Structure	Thread Types	Connection Type
DME	Adaptor	ORFS UNF	Swivel Female	Straight	BSPP	Male

German Technology Equipment

SHIELD FLEX

New-Standard

- DME&JDE Code:** DAOF1105M
- Product Type:** Hydraulic adaptor
- Standard:** ORFS
- Structure:** Straight
- Connection Type:** Female Swivel x Male
- Thread Types:** UNF x BSPP 60° Cone



PART NUMBER	F1 (Thread)	F2 (Thread)	C	D1	D2	L	S	S1
#	UNF	BSPP	mm	mm	mm	mm	mm	mm
DAOF1105M-0404	9/16"-18	1/4"-19	11.00	4.19	4.19	34.50	19.00	19.00
DAOF1105M-0406	9/16"-18	3/8"-19	12.00	4.19	7.90	38.00	22.00	19.00
DAOF1105M-0604	11/16"-16	1/4"-19	11.00	6.71	4.70	39.20	19.00	20.64
DAOF1105M-0606	11/16"-16	3/8"-19	12.00	6.71	7.90	38.50	22.00	20.64
DAOF1105M-0608	11/16"-16	1/2"-14	14.00	6.71	11.10	41.00	27.00	22.00
DAOF1105M-0806	13/16"-16	3/8"-19	12.00	9.09	7.90	42.50	22.00	23.81
DAOF1105M-0808	13/16"-16	1/2"-14	14.00	9.09	11.10	44.30	27.00	23.81
DAOF1105M-0812	13/16"-16	3/4"-14	16.00	9.09	16.70	49.00	32.00	23.81
DAOF1105M-1008	1"-14	1/2"-14	14.00	11.10	11.10	47.50	27.00	30.00
DAOF1105M-1012	1"-14	3/4"-14	16.00	11.51	16.70	51.00	32.00	30.00
DAOF1105M-1212	1-3/16"-12	3/4"-14	16.00	13.89	16.70	55.00	32.00	36.00
DAOF1105M-1216	1-3/16"-12	1"-11	19.00	13.89	22.20	60.00	41.00	36.00
DAOF1105M-1616	1-7/16"-12	1"-11	19.00	19.90	22.20	61.00	41.00	41.00
DAOF1105M-1620	1-7/16"-12	1-1/4"-11	20.00	19.90	28.60	66.00	50.00	41.00

DAOF1125M

Straight Connector ORFS Swivel Female - JIC 74° Male

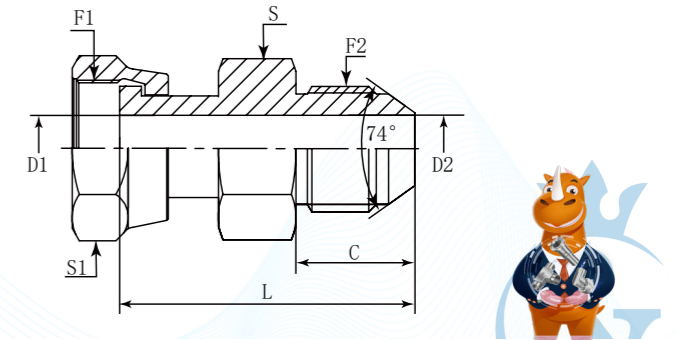
D	A	OF	1	1	25	M
Company	Product Range	Thread Types	Connection Type	Adaptor Structure	Thread Types	Connection Type
DME	Adaptor	ORFS UNF	Swivel Female	Straight	JIC UNF	Male

German Technology Equipment

SHIELD FLEX

New-Standard

- DME&JDE Code:** DAOF1125M
- Product Type:** Hydraulic adaptor
- Standard:** ORFS
- Structure:** Straight
- Connection Type:** Swivel Female x Male
- Thread Types:** ORFS UNF x JIC UNF 74°



PART NUMBER	F1 (Thread)	F2 (Thread)	C	D1	D2	L	S	S1	Hex
#	UNF	UNF	mm	mm	mm	mm	-	-	-
DAOF1125M-0404	9/16"-18	7/16"-20	13.97	4.19	4.19	40.10	17 mm	17 mm	Metric
DAOF1125M-0406	9/16"-18	9/16"-18	14.12	4.19	7.54	40.20	17 mm	17 mm	Metric
DAOF1125M-0404IN	9/16"-18	7/16"-20	13.97	4.19	4.19	40.10	5/8"	11/16"	Imperial
DAOF1125M-0406IN	9/16"-18	9/16"-18	14.12	4.19	7.54	40.20	5/8"	11/16"	Imperial
DAOF1125M-0604	11/16"-16	7/16"-20	13.97	6.71	4.37	42.20	19 mm	22 mm	Metric
DAOF1125M-0606	11/16"-16	9/16"-18	14.12	6.71	6.71	42.00	19 mm	22 mm	Metric
DAOF1125M-0604IN	11/16"-16	7/16"-20	13.97	6.71	4.37	42.20	3/4"	13/16"	Imperial
DAOF1125M-0606IN	11/16"-16	9/16"-18	14.12	6.71	6.71	42.00	3/4"	13/16"	Imperial
DAOF1125M-0804	13/16"-16	7/16"-20	13.97	9.09	4.37	49.30	22 mm	24 mm	Metric
DAOF1125M-0806	13/16"-16	9/16"-18	14.12	9.09	7.54	49.00	22 mm	24 mm	Metric
DAOF1125M-0808	13/16"-16	3/4"-16	16.69	9.09	9.93	48.26	22 mm	24 mm	Metric
DAOF1125M-0812	13/16"-16	1-1/16"-12	21.95	9.09	15.47	55.73	27 mm	24 mm	Metric
DAOF1125M-0804IN	13/16"-16	7/16"-20	13.97	9.09	4.37	49.30	7/8"	15/16"	Imperial
DAOF1125M-0806IN	13/16"-16	9/16"-18	14.12	9.09	7.54	49.00	7/8"	15/16"	Imperial
DAOF1125M-0808IN	13/16"-16	3/4"-16	16.69	9.09	9.93	48.26	7/8"	15/16"	Imperial
DAOF1125M-0812IN	13/16"-16	1-1/16"-12	21.95	9.09	15.47	55.73	1-1/16"	15/16"	Imperial
DAOF1125M-1010	1"-14	7/8"-14	19.25	11.51	12.29	57.10	27 mm	30 mm	Metric
DAOF1125M-1010IN	1"-14	7/8"-14	19.25	11.51	12.29	57.10	1-1/16"	1-1/8"	Imperial
DAOF1125M-1208	1-3/16"-12	3/4"-16	16.69	13.89	9.93	58.00	32 mm	36 mm	Metric
DAOF1125M-1212	1-3/16"-12	1-1/16"-12	21.95	13.89	15.47	63.50	32 mm	36 mm	Metric
DAOF1125M-1208IN	1-3/16"-12	3/4"-16	16.69	13.89	9.93	58.00	1-1/4"	1-3/8"	Imperial
DAOF1125M-1212IN	1-3/16"-12	1-1/16"-12	21.95	13.89	15.47	63.50	1-1/4"	1-3/8"	Imperial
DAOF1125M-1610	1-7/16"-12	7/8"-14	19.25	19.89	12.29	64.00	41 mm	41 mm	Metric
DAOF1125M-1612	1-7/16"-12	1-1/16"-12	21.95	19.89	15.47	67.00	41 mm	41 mm	Metric
DAOF1125M-1616	1-7/16"-12	1-5/16"-12	23.14	19.89	19.89	67.31	41 mm	41 mm	Metric
DAOF1125M-1610IN	1-7/16"-12	7/8"-14	19.25	19.89	12.29	64.00	1-1/2"	1-5/8"	Imperial
DAOF1125M-1612IN	1-7/16"-12	1-1/16"-12	21.95	19.89	15.47	67.00	1-1/2"	1-5/8"	Imperial
DAOF1125M-1616IN	1-7/16"-12	1-5/16"-12	23.14	19.89	19.89	67.31	1-1/2"	1-5/8"	Imperial
DAOF1125M-2020	1-11/16"-12	1-5/8"-12	24.33	26.01	27.38	73.35	50 mm	50 mm	Metric
DAOF1125M-2020IN	1-11/16"-12	1-5/8"-12	24.33	26.01	27.38	73.35	1-7/8"	1-7/8"	Imperial
DAOF1125M-2424	2"-12	1-7/8"-12	27.51	32.00	32.00	71.00	50 mm	60 mm	Metric
DAOF1125M-2424IN	2"-12	1-7/8"-12	27.51	32.00	32.00	71.00	2"	2-1/4"	Imperial

DAOF1107M

Straight Connector ORFS Swivel Female - BSPT Male 60° Cone

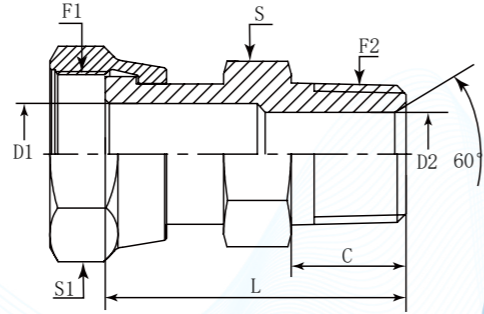
D	A	OF	1	1	07	M
Company	Product Range	Thread Types	Connection Type	Adaptor Structure	Thread Types	Connection Type
DME	Adaptor	ORFS UNF	Swivel Female	Straight	BSPT	Male

German Technology Equipment

SHIELD FLEX

New-Standard

- DME&JDE Code:** DAOF1107M
- Product Type:** Hydraulic adaptor
- Standard:** ORFS
- Structure:** Straight
- Connection Type:** Swivel Female x Male
- Thread Types:** UNF x BSPT 60° Cone



PART NUMBER	F1 (Thread)	F2 (Thread)	C	D1	D2	L	S	S1
#	UNF	BSPT	mm	mm	mm	mm	mm	mm
DAOF1107M-0402	9/16"-18	1/8"-28	10.00	4.19	4.19	35.50	15.88	17.45
DAOF1107M-0404	9/16"-18	1/4"-19	14.00	4.19	6.00	39.50	15.88	17.45
DAOF1107M-0604	11/16"-16	1/4"-19	14.00	6.00	6.00	41.50	19.00	20.62
DAOF1107M-0606	11/16"-16	3/8"-19	15.00	6.71	9.00	42.50	19.05	20.62
DAOF1107M-0608	11/16"-16	1/2"-14	19.00	6.71	12.00	47.00	22.22	20.62
DAOF1107M-0806	13/16"-16	3/8"-19	15.00	9.00	9.00	46.00	22.22	23.81
DAOF1107M-0808	13/16"-16	1/2"-14	19.00	9.09	12.00	50.00	22.22	23.81
DAOF1107M-1008	1"-14	1/2"-14	19.00	11.51	11.51	54.50	25.40	30.00
DAOF1107M-1208	1-3/16"-12	1/2"-14	19.00	13.89	12.00	58.50	31.75	34.92
DAOF1107M-1212	1-3/16"-12	3/4"-14	20.00	13.89	16.70	59.50	31.75	34.92
DAOF1107M-1216	1-3/16"-12	1"-11	24.00	13.89	22.20	65.50	34.93	34.93
DAOF1107M-1612	1-7/16"-12	3/4"-14	20.00	19.89	16.70	65.50	38.10	41.28
DAOF1107M-1616	1-7/16"-12	1"-11	24.00	19.89	22.20	68.50	38.10	41.28



DAOF1106Q

Straight Connector ORFS Male - BSPT Male + O Ring + Retaining Ring

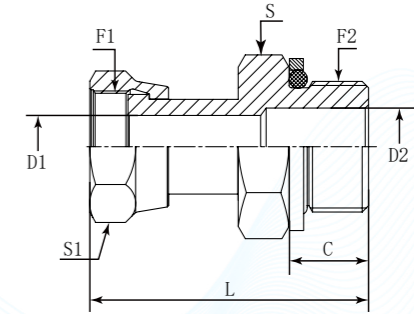
D	A	OF	1	1	06	0
Company	Product Range	Thread Types	Connection Type	Adaptor Structure	Thread Types	Connection & Sealing Method
DME	Adaptor	ORFS UNF	Male	Straight	BSPP	Male + O Ring + Retaining Ring

German Technology Equipment

SHIELD FLEX

New-Standard

- DME&JDE Code:** DAOF1106Q
- Product Type:** Hydraulic adaptor
- Standard:** ORFS
- Structure:** Straight
- Connection Type:** Male x Male
- Thread Types:** UNF x BSPP



PART NUMBER	F1 (Thread)	F2 (Thread)	C	D1	D2	L	S	S1
#	UNF	BSPP	mm	mm	mm	mm	mm	mm
DAOF1106Q-0402	9/16"-18	1/8"-28	6.70	4.19	4.19	39.00	17	17
DAOF1106Q-0404	9/16"-18	1/4"-19	10.20	4.19	7.50	43.50	19	17
DAOF1106Q-0604	11/16"-16	1/4"-19	10.20	6.71	6.71	48.50	19	22
DAOF1106Q-0606	11/16"-16	3/8"-19	10.20	6.71	9.90	50.00	24	22
DAOF1106Q-0608	11/16"-16	1/2"-14	12.20	6.71	12.30	53.00	27	22
DAOF1106Q-0804	13/16"-16	1/4"-19	10.20	9.09	7.50	54.50	22	24
DAOF1106Q-0806	13/16"-16	3/8"-19	10.20	9.09	9.09	55.00	24	24
DAOF1106Q-0808	13/16"-16	1/2"-14	12.20	9.09	12.30	59.00	27	24
DAOF1106Q-1006	1"-14	3/8"-19	10.00	11.51	9.90	59.50	24	30
DAOF1106Q-1008	1"-14	1/2"-14	12.20	11.51	11.51	61.50	27	30
DAOF1106Q-1010	1"-14	3/4"-14	14.50	11.51	14.00	66.00	36	30
DAOF1106Q-1208	1-3/16"-12	1/2"-14	12.20	13.89	12.30	67.50	30	36
DAOF1106Q-1212	1-3/16"-12	3/4"-14	14.50	13.89	13.89	68.50	36	36
DAOF1106Q-1216	1-3/16"-12	1"-11	15.50	13.89	21.50	73.50	41	36
DAOF1106Q-1612	1-7/16"-12	3/4"-14	14.50	19.89	15.50	72.00	36	41
DAOF1106Q-1616	1-7/16"-12	1"-11	15.50	19.89	21.50	74.00	41	41
DAOF1106Q-1620	1-7/16"-12	1-1/4"-11	17.50	19.89	27.50	78.50	50	41
DAOF1106Q-2016	1-11/16"-12	1"-11	15.50	26.01	21.50	76.00	41	50
DAOF1106Q-2020	1-11/16"-12	1-1/4"-11	17.50	26.01	27.50	79.00	50	50
DAOF1106Q-2024	1-11/16"-12	1-1/2"-11	19.50	26.01	33.00	82.00	60	50
DAOF1106Q-2424	2"-12	1-1/2"-11	19.50	32.00	33.00	82.00	60	57



DAOF11061

Straight Connector ORFS Swivel Female - BSPP Male with ED Ring

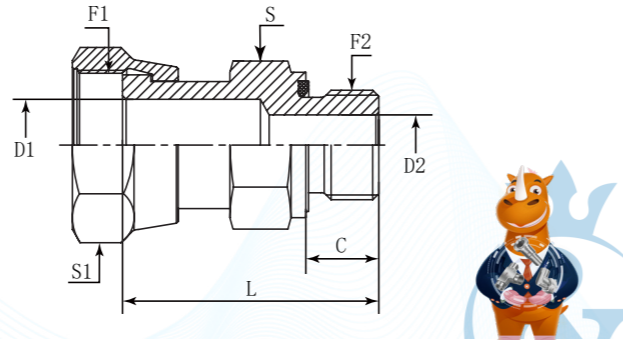
D	A	OF	1	1	061
Company	Product Range	Thread Types	Connection Type	Adaptor Structure	Connection & Sealing Method
DME	Adaptor	ORFS UNF	Swivel Female	Straight	BSPP Male with ED Ring

German Technology Equipment

SHIELD FLEX

New-Standard

- DME&JDE Code:** DAOF11061
- Product Type:** Hydraulic adaptor
- Standard:** ORFS
- Structure:** Straight
- Connection Type:** Swivel Female x Male
- Thread Types:** UNF x BSPP
- Sealing Method:** ED Ring



PART NUMBER	F1 (Thread)	F2 (Thread)	C	D1	D2	L	S	S1
#	UNF	BSPP	mm	mm	mm	mm	mm	mm
DAOF11061-0404	9/16"-18	1/4"-19	12.00	4.19	4.19	38.00	19	17
DAOF11061-0604	11/16"-16	1/4"-19	12.00	6.71	5.00	40.00	19	22
DAOF11061-0606	11/16"-16	3/8"-19	12.00	6.71	8.00	40.00	22	22
DAOF11061-0804	13/16"-16	1/4"-19	12.00	9.09	5.00	47.00	22	24
DAOF11061-0806	13/16"-16	3/8"-19	12.00	9.00	8.00	47.00	22	24
DAOF11061-0808	13/16"-16	1/2"-14	14.00	9.09	12.00	49.00	27	24
DAOF11061-1208	1-3/16"-12	1/2"-14	14.00	14.00	12.00	55.00	30	36
DAOF11061-1212	1-3/16"-12	3/4"-14	16.00	14.00	16.00	57.00	32	36
DAOF11061-1616	1-7/16"-12	1"-11	18.00	20.00	20.00	67.00	41	41

DAOF1128M

Straight Connector ORFS Swivel Female - NPTF 60° Male

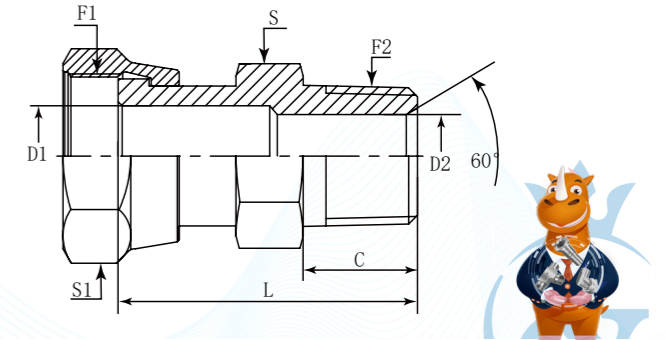
D	A	OF	1	1	28	M
Company	Product Range	Thread Types	Connection Type	Adaptor Structure	Thread Types	Connection Type
DME	Adaptor	ORFS UNF	Swivel Female	Straight	NPTF	Male

German Technology Equipment

SHIELD FLEX

New-Standard

- DME&JDE Code:** DAOF1128M
- Product Type:** Hydraulic adaptor
- Standard:** ORFS
- Structure:** Straight
- Connection Type:** Swivel Female x Male
- Thread Types:** UNF x NPTF 60°



PART NUMBER	F1 (Thread)	F2 (Thread)	C	D1	D2	L	S	S1	Hex
#	UNF	NPTF	mm	mm	mm	mm	-	-	-
DAOF1128M-0404	9/16"-18	1/4"-18	14.22	4.19	7.14	38.50	17 mm	17 mm	Metric
DAOF1128M-0404IN	9/16"-18	1/4"-18	14.22	4.19	7.14	38.50	5/8"	11/16"	Imperial
DAOF1128M-0604	11/16"-16	1/4"-18	14.22	6.71	7.14	41.91	19 mm	22 mm	Metric
DAOF1128M-0606	11/16"-16	3/8"-18	14.22	6.71	10.31	42.42	19 mm	22 mm	Metric
DAOF1128M-0608	11/16"-16	1/2"-14	19.05	6.71	12.00	48.00	22 mm	22 mm	Metric
DAOF1128M-0604IN	11/16"-16	1/4"-18	14.22	6.71	7.14	41.91	3/4"	13/16"	Imperial
DAOF1128M-0606IN	11/16"-16	3/8"-18	14.22	6.71	10.31	42.42	3/4"	13/16"	Imperial
DAOF1128M-0608IN	11/16"-16	1/2"-14	19.05	6.71	12.00	48.00	7/8"	13/16"	Imperial
DAOF1128M-0806	13/16"-16	3/8"-18	14.22	9.09	9.09	45.70	22 mm	24 mm	Metric
DAOF1128M-0808	13/16"-16	1/2"-14	19.05	9.09	13.49	54.61	22 mm	24 mm	Metric
DAOF1128M-0806IN	13/16"-16	3/8"-18	14.22	9.09	9.09	45.70	7/8"	15/16"	Imperial
DAOF1128M-0808IN	13/16"-16	1/2"-14	19.05	9.09	13.49	54.61	7/8"	15/16"	Imperial
DAOF1128M-1008	1"-14	1/2"-14	19.05	11.51	13.49	54.50	27 mm	30 mm	Metric
DAOF1128M-1008IN	1"-14	1/2"-14	19.05	11.51	13.49	54.50	1"	1-3/16"	Imperial
DAOF1128M-1212	1-3/16"-12	3/4"-14	19.05	13.89	18.26	58.50	32 mm	36 mm	Metric
DAOF1128M-1216	1-3/16"-12	1"-11-1/2	23.88	13.89	20.00	65.50	36 mm	36 mm	Metric
DAOF1128M-1212IN	1-3/16"-12	3/4"-14	19.05	13.89	18.26	58.50	1-1/4"	1-3/8"	Imperial
DAOF1128M-1216IN	1-3/16"-12	1"-11-1/2	23.88	13.89	20.00	65.50	1-3/8"	1-3/8"	Imperial
DAOF1128M-1616	1-7/16"-12	1"-11-1/2	23.88	19.89	23.83	68.50	41 mm	41 mm	Metric
DAOF1128M-1616IN	1-7/16"-12	1"-11-1/2	23.88	19.89	23.83	68.50	1-1/2"	1-5/8"	Imperial
DAOF1128M-2020	1-11/16"-12	1-1/4"-11-1/2	24.64	26.01	31.75	70.00	46 mm	50 mm	Metric
DAOF1128M-2020IN	1-11/16"-12	1-1/4"-11-1/2	24.64	26.01	31.75	70.00	1-3/4"	1-7/8"	Imperial
DAOF1128M-2424	2"-12	1-1/2"-11-1/2	25.40	32.00	38.10	75.00	55 mm	60 mm	Metric
DAOF1128M-2424IN	2"-12	1-1/2"-11-1/2	25.40	32.00	38.10	75.00	2-1/8"	2-1/4"	Imperial



DAOF31000

ORFS Female Cap

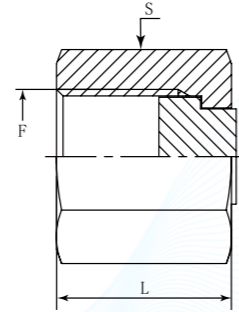
D	A	OF	3	1	000
Company	Product Range	Thread Types	Adaptor Structure	Adaptor Structure	Other Features
DME	Adaptor	ORFS UNF	Slip-on female	Straight	Nut/Plug

German Technology Equipment

SHIELD FLEX

New-Standard

- DME&JDE Code: DAOF31000
- Product Type: Hydraulic adaptor
- Standard: ORFS
- Connection Type: Female
- Thread Types: UNF
- Other Features: Nut/Plug



PART NUMBER	F (Thread)	L	S	Hex
-	UNF	mm	-	-
DAOF31000-0400	9/16"-18	14.80	17 mm	Metric
DAOF31000-0400IN	9/16"-18	14.80	11/16"	Imperial
DAOF31000-0600	11/16"-16	17.02	22 mm	Metric
DAOF31000-0600IN	11/16"-16	17.02	13/16"	Imperial
DAOF31000-0800	13/16"-16	31.00	24 mm	Metric
DAOF31000-0800IN	13/16"-16	31.00	15/16"	Imperial
DAOF31000-1000	1"-14	23.50	30 mm	Metric
DAOF31000-1000IN	1"-14	23.50	1-1/8"	Imperial
DAOF31000-1200	1-3/16"-12	26.01	36 mm	Metric
DAOF31000-1200IN	1-3/16"-12	26.01	1-3/8"	Imperial
DAOF31000-1600	1-7/16"-12	27.80	41 mm	Metric
DAOF31000-1600IN	1-7/16"-12	27.80	1-5/8"	Imperial
DAOF31000-2000	1-11/16"-12	27.81	50 mm	Metric
DAOF31000-2000IN	1-11/16"-12	27.81	1-7/8"	Imperial
DAOF31000-2400	2"-12	27.81	60 mm	Metric
DAOF31000-2400IN	2"-12	27.81	2-1/4"	Imperial
DAOF31000-3200	2-1/2"-12	35.60	73 mm	Metric
DAOF31000-3200IN	2-1/2"-12	35.60	2-7/8"	Imperial

DAOF11241

Straight Connector Connector ORFS Swivel Female

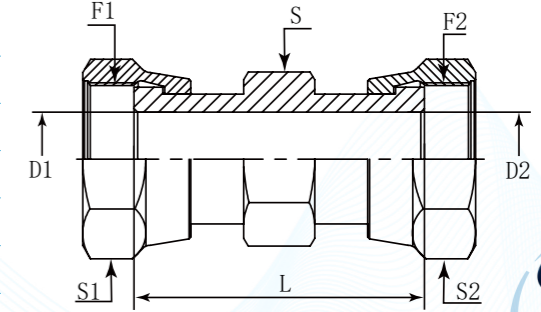
D	A	OF	1	1	241
Company	Product Range	Thread Types	Connection Type	Adaptor Structure	Connection Type
DME	Adaptor	ORFS UNF	Swivel Female	Straight	ORFS Swivel Female

German Technology Equipment

SHIELD FLEX

New-Standard

- DME&JDE Code: DAOF11241
- Product Type: Hydraulic adaptor
- Standard: ORFS
- Structure: Straight
- Connection Type: Swivel Female x Swivel Female
- Thread Types: UNF x UNF



PART NUMBER	F1 (Thread)	F2 (Thread)	D1	D2	L	S	S1	S2	Hex
#	UNF	UNF	mm	mm	mm	-	-	-	-
DAOF11241-0404	9/16"-18	9/16"-18	4.19	4.19	40.00	17 mm	17 mm	17 mm	Metric
DAOF11241-0404IN	9/16"-18	9/16"-18	4.19	4.19	40.00	5/8"	11/16"	11/16"	Imperial
DAOF11241-0606	11/16"-16	11/16"-16	6.71	6.71	46.00	19 mm	22 mm	22 mm	Metric
DAOF11241-0606IN	11/16"-16	11/16"-16	6.71	6.71	46.00	3/4"	13/16"	13/16"	Imperial
DAOF11241-0808	13/16"-16	13/16"-16	9.09	9.09	53.80	22 mm	24 mm	24 mm	Metric
DAOF11241-0808IN	13/16"-16	13/16"-16	9.09	9.09	53.80	7/8"	15/16"	15/16"	Imperial
DAOF11241-1010	1"-14	1"-14	11.51	11.51	61.00	27 mm	30 mm	30 mm	Metric
DAOF11241-1010IN	1"-14	1"-14	11.51	11.51	61.00	1-1/16"	1-1/8"	1-1/8"	Imperial
DAOF11241-1212	1-3/16"-12	1-3/16"-12	13.89	13.89	68.00	32 mm	36 mm	36 mm	Metric
DAOF11241-1212IN	1-3/16"-12	1-3/16"-12	13.89	13.89	68.00	1-1/4"	1-3/8"	1-3/8"	Imperial
DAOF11241-1616	1-7/16"-12	1-7/16"-12	19.90	19.90	70.00	36 mm	41 mm	41 mm	Metric
DAOF11241-1616IN	1-7/16"-12	1-7/16"-12	19.90	19.90	70.00	1-3/8"	1-1/2"	1-1/2"	Imperial
DAOF11241-2020	1-11/16"-12	1-11/16"-12	26.01	26.01	76.00	46 mm	50 mm	50 mm	Metric
DAOF11241-2020IN	1-11/16"-12	1-11/16"-12	26.01	26.01	76.00	1-3/4"	1-7/8"	1-7/8"	Imperial
DAOF11241-2424	2"-12	2"-12	32.00	32.00	80.00	55 mm	60 mm	60 mm	Metric
DAOF11241-2424IN	2"-12	2"-12	32.00	32.00	80.00	2-1/8"	2-1/4"	2-1/4"	Imperial



DAOF1128F

Straight Connector ORFS Swivel Female - NPTF Fixed Male

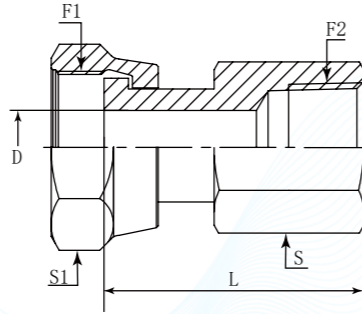
D	A	OF	1	1	05	M
Company	Product Range	Thread Types	Connection Type	Adaptor Structure	Thread Types	Connection Type
DME	Adaptor	ORFS UNF	Swivel Female	Straight	BSP	Male

German Technology Equipment

SHIELD FLEX

New-Standard

- DME&JDE Code: **DAOF1128F**
- Product Type: **Hydraulic adaptor**
- Standard: **ORFS**
- Structure: **Straight**
- Connection Type: **Swivel Female x Fixed Male**
- Thread Types: **UNF x NPTF**



PART NUMBER	F1 (Thread)	F2 (Thread)	C	D	L	S	Hex
#	UNF	NPTF	mm	mm	mm	-	-
DAOF1128F-0404	9/16"-18	1/4"-18	4.19	41.70	19 mm	17 mm	Metric
DAOF1128F-0404IN	9/16"-18	1/4"-18	4.19	41.70	3/4"	11/16"	Imperial
DAOF1128F-0606	11/16"-16	3/8"-18	6.71	42.00	22 mm	22 mm	Metric
DAOF1128F-0606IN	11/16"-16	3/8"-18	6.71	42.00	7/8"	13/16"	Imperial
DAOF1128F-1212	1-3/16"-12	3/4"-14	13.89	28.45	36 mm	36 mm	Metric
DAOF1128F-1212IN	1-3/16"-12	3/4"-14	13.89	28.45	1-3/8"	1-3/8"	Imperial
DAOF1128F-1616	1-7/16"-12	1"-11-1/2	19.89	65.00	41 mm	41 mm	Metric
DAOF1128F-1616IN	1-7/16"-12	1"-11-1/2	19.89	65.00	1-1/2"	1-1/2"	Imperial
DAOF1128F-2020	1-11/16"-12	1-1/4"-11-1/2	26.01	66.80	50 mm	50 mm	Metric
DAOF1128F-2020IN	1-11/16"-12	1-1/4"-11-1/2	26.01	66.80	2"	1-7/8"	Imperial
DAOF1128F-2424	2"-12	1-1/2"-11-1/2	32.00	67.00	60 mm	60 mm	Metric
DAOF1128F-2424IN	2"-12	1-1/2"-11-1/2	32.00	67.00	2-1/2"	2-1/4"	Imperial



DAOF5124T

Straight Connector Bulkhead ORFS Male - ORFS Male

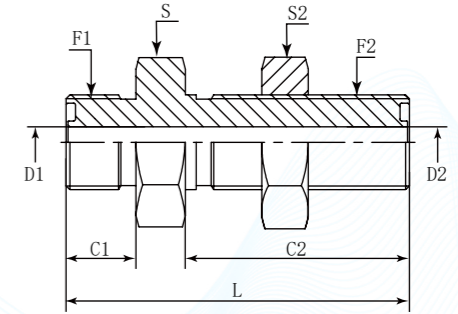
D	A	OF	5	1	24	T
Company	Product Range	Thread Types	Connection Type	Adaptor Structure	Thread Types	Connection Type
DME	Adaptor	ORFS UNF	Male	Straight	ORFS UNF	Male Bulkhead

German Technology Equipment

SHIELD FLEX

New-Standard

- DME&JDE Code: **DAOF5124T**
- Product Type: **Hydraulic adaptor**
- Standard: **ORFS**
- Structure: **Straight**
- Connection Type: **Male x Male**
- Thread Types: **UNF x UNF**
- Other Features: **Bulkhead**



PART NUMBER	F1 (Thread)	F2 (Thread)	C1	C2	D1	D2	L	S	S2	Hex
#	UNF	UNF	mm	mm	mm	mm	mm	-	-	-
DAOF5124T-0404	9/16"-18	9/16"-18	9.80	31.50	4.37	4.37	48.26	22 mm	22 mm	Metric
DAOF5124T-0404IN	9/16"-18	9/16"-18	9.80	31.50	4.37	4.37	48.26	13/16"	13/16"	Imperial
DAOF5124T-0606	11/16"-16	11/16"-16	11.00	34.00	6.50	6.50	53.10	27 mm	27 mm	Metric
DAOF5124T-0608	11/16"-16	13/16"-16	11.20	36.58	6.71	9.60	56.82	27 mm	30 mm	Metric
DAOF5124T-0606IN	11/16"-16	11/16"-16	11.00	34.00	6.50	6.50	53.10	1"	1"	Imperial
DAOF5124T-0608IN	11/16"-16	13/16"-16	11.20	36.58	6.71	9.60	56.82	1-1/8"	1-1/8"	Imperial
DAOF5124T-0806	13/16"-16	11/16"-16	13.00	34.00	9.50	6.50	55.50	30 mm	27 mm	Metric
DAOF5124T-0808	13/16"-16	13/16"-16	12.80	36.50	9.60	9.60	58.40	30 mm	30 mm	Metric
DAOF5124T-0806IN	13/16"-16	11/16"-16	13.00	34.00	9.50	6.50	55.50	1"	1"	Imperial
DAOF5124T-0808IN	13/16"-16	13/16"-16	12.80	36.50	9.60	9.60	58.40	1-1/8"	1-1/8"	Imperial
DAOF5124T-1010	1"-14	1"-14	15.49	40.64	12.29	12.29	66.55	36 mm	36 mm	Metric
DAOF5124T-1010IN	1"-14	1"-14	15.49	40.64	12.29	12.29	66.55	1-5/16"	1-5/16"	Imperial
DAOF5124T-1212	1-3/16"-12	1-3/16"-12	17.02	41.66	15.47	15.47	69.09	41 mm	41 mm	Metric
DAOF5124T-1212IN	1-3/16"-12	1-3/16"-12	17.02	41.66	15.47	15.47	69.09	1-1/2"	1-1/2"	Imperial
DAOF5124T-1616	1-7/16"-12	1-7/16"-12	17.50	42.16	20.60	20.60	70.10	46 mm	46 mm	Metric
DAOF5124T-1616IN	1-7/16"-12	1-7/16"-12	17.50	42.16	20.60	20.60	70.10	1-3/4"	1-3/4"	Imperial
DAOF5124T-2020	1-11/16"-12	1-11/16"-12	17.50	42.16	26.00	26.00	70.10	50 mm	50 mm	Metric
DAOF5124T-2020IN	1-11/16"-12	1-11/16"-12	17.50	42.16	26.00	26.00	70.10	2"	2"	Imperial
DAOF5124T-2424	2"-12	2"-12	17.50	42.16	32.00	32.00	70.10	60 mm	60 mm	Metric
DAOF5124T-2424IN	2"-12	2"-12	17.50	42.16	32.00	32.00	70.10	2-3/8"	2-3/8"	Imperial



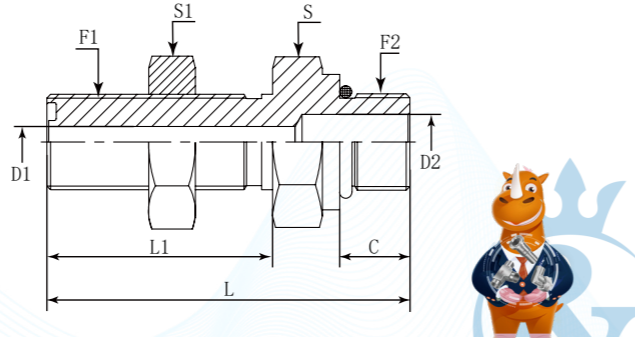
DAOFT1305

Straight Connector Bulkhead ORFS Male - SAE Male O Ring

D	A	OF	T	1	30	M
Company	Product Range	Thread Types	Connection Type	Adaptor Structure	Thread Types	Connection Type
DME	Adaptor	ORFS UNF	Bulkhead Male	Straight	SAE UNF	Male O Ring



DME&JDE Code:	DAOFT1305
Product Type	Hydraulic adaptor
Standard:	ORFS
Structure:	Straight
Connection Type:	Male x Male
Thread Types:	ORFS UNF x SAE UNF + O Ring
Sealing Method:	O Ring
Other Features:	Bulkhead



PART NUMBER	F1 (Thread)	F2 (Thread)	C	D1	D2	L1	L	S	S1	Hex
#	UNF	UNF	mm	mm	mm	mm	mm	-	-	-
DAOFT1305-0404	9/16"-18	7/16"-20	11.00	4.37	4.37	31.50	53.50	22 mm	22 mm	Metric
DAOFT1305-0404IN	9/16"-18	7/16"-20	11.00	4.37	4.37	31.50	53.50	13/16"	13/16"	Imperial
DAOFT1305-0604	11/16"-16	7/16"-20	11.00	6.71	6.71	34.04	57.50	27 mm	27 mm	Metric
DAOFT1305-0606	11/16"-16	9/16"-18	11.99	6.71	6.71	34.04	58.70	27 mm	27 mm	Metric
DAOFT1305-0604IN	11/16"-16	7/16"-20	11.00	6.71	6.71	34.04	57.50	1"	1"	Imperial
DAOFT1305-0606IN	11/16"-16	9/16"-18	11.99	6.71	6.71	34.04	58.70	1"	1"	Imperial
DAOFT1305-0808IN	11/16"-16	3/4"-16	14.00	9.60	9.60	36.58	69.50	1-1/8"	1-1/8"	Imperial
DAOFT1305-1008	1"-14	3/4"-16	14.00	12.29	9.60	40.64	72.50	36 mm	36 mm	Metric
DAOFT1305-1010	1"-14	7/8"-14	16.00	12.29	12.29	40.64	74.50	36 mm	36 mm	Metric
DAOFT1305-1008IN	1"-14	3/4"-16	14.00	12.29	9.60	40.64	72.50	1-5/16"	1-5/16"	Imperial
DAOFT1305-1010IN	1"-14	7/8"-14	16.00	12.29	12.29	40.64	74.50	1-5/16"	1-5/16"	Imperial
DAOFT1305-1212	1-3/16"-12	1-1/16"-12	18.50	15.47	15.47	41.66	80.00	41 mm	41 mm	Metric
DAOFT1305-1212IN	1-3/16"-12	1-1/16"-12	18.50	15.47	15.47	41.66	80.00	1-1/2"	1-1/2"	Imperial
DAOFT1305-1616	1-7/16"-12	1-5/16"-12	18.50	20.60	20.60	42.16	18.50	46 mm	46 mm	Metric
DAOFT1305-1616IN	1-7/16"-12	1-5/16"-12	18.50	20.60	20.60	42.16	18.50	1-3/4"	1-3/4"	Imperial

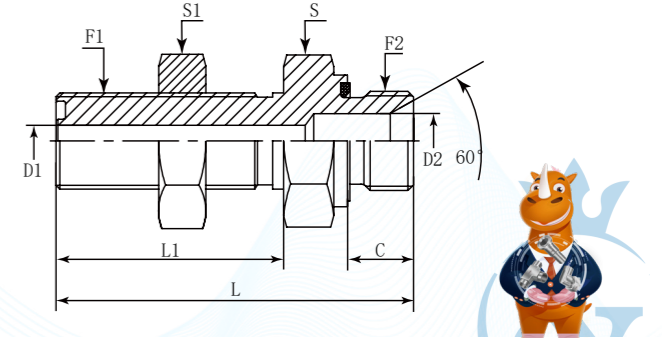
DAOFT1061

Straight Connector Bulkhead ORFS Male - BSPP 60° Male 60° with ED Ring

D	A	OF	T	1	06	061
Company	Product Range	Thread Types	Connection Type	Adaptor Structure	Thread Types	Connection Type
DME	Adaptor	ORFS UNF	Bulkhead Male	Straight	BSPP	BSPP Male with ED Ring



DME&JDE Code:	DAOFT1061
Product Type	Hydraulic adaptor
Standard:	ORFS
Structure:	Straight
Connection Type:	Male x Male
Thread Types:	UNF x BSPP 60°
Other Features:	Bulkhead
Sealing Method:	ED Ring



PART NUMBER	F1 (Thread)	F2 (Thread)	C	D1	D2	L1	L	S	S1
#	UNF	BSPP	mm	mm	mm	mm	mm	mm	mm
DAOFT1061-0406	9/16"-18	3/8"-19	12.00	4.50	8.00	31.50	54.00	22.00	22.00
DAOFT1061-0606	11/16"-18	3/8"-19	12.00	6.50	8.00	34.00	57.50	27.00	27.00
DAOFT1061-0806	13/16"-16	3/8"-19	12.00	9.50	8.00	36.50	62.50	30.00	30.00
DAOFT1061-1212	1-3/16"-12	3/4"-14	16.00	15.50	15.50	41.70	71.00	41.00	41.00
DAOFT1061-1616	1-7/16"-12	1"-11	18.00	20.00	20.00	42.20	75.50	46.00	46.00

DAOFT128M

Straight Connector Bulkhead ORFS Male - NPTF Male 60°

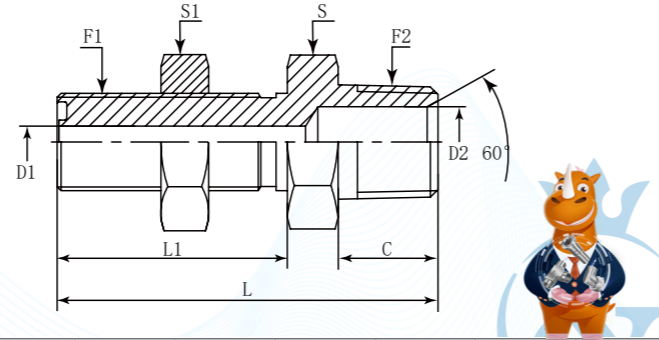
D	A	OF	T	1	28	M
Company	Product Range	Thread Types	Connection Type	Adaptor Structure	Thread Types	Connection Type
DME	Adaptor	ORFS UNF	Bulkhead Male	Straight	NPTF	Male

German Technology Equipment

SHIELD FLEX

New-Standard

- DME&JDE Code: **DAOFT128M**
- Product Type: **Hydraulic adaptor**
- Standard: **ORFS**
- Structure: **Straight**
- Connection Type: **Male x Male**
- Thread Types: **UNF x NPTF 60°**
- Other Features: **Bulkhead**



PART NUMBER	F1 (Thread)	F2 (Thread)	C	D1	D2	L1	L	S	S1	Hex
#	UNF	NPTF	mm	mm	mm	mm	mm	-	-	-
DAOFT128M-0404	9/16"-18	1/4"-18	14.22	4.37	7.14	31.50	53.00	22 mm	22 mm	Metric
DAOFT128M-0404IN	9/16"-18	1/4"-18	14.22	4.37	7.14	31.50	53.00	13/16"	13/16"	Imperial
DAOFT128M-0606	11/16"-16	3/8"-18	14.22	6.71	10.31	34.04	56.10	27 mm	27 mm	Metric
DAOFT128M-0606IN	11/16"-16	3/8"-18	14.22	6.71	10.31	34.04	56.10	1"	1"	Imperial
DAOFT128M-0808	13/16"-16	1/2"-14	19.05	9.60	13.49	36.58	65.00	30 mm	30 mm	Metric
DAOFT128M-0808IN	13/16"-16	1/2"-14	19.05	9.60	13.49	36.58	65.00	1-1/8"	1-1/8"	Imperial
DAOFT128M-1212	1-3/16"-12	3/4"-14	19.05	15.47	18.26	41.66	71.10	41 mm	41 mm	Metric
DAOFT128M-1212IN	1-3/16"-12	3/4"-14	19.05	15.47	18.26	41.66	71.10	1-1/2"	1-1/2"	Imperial
DAOFT128M-1616	1-7/16"-12	1"-11-1/2	23.88	20.60	20.60	42.16	76.50	46 mm	46 mm	Metric
DAOFT128M-1616IN	1-7/16"-12	1"-11-1/2	23.88	20.60	20.60	42.16	76.50	1-3/4"	1-3/4"	Imperial

DAOF5130J

Straight Long Connector ORFS Male - SAE Male + O Ring

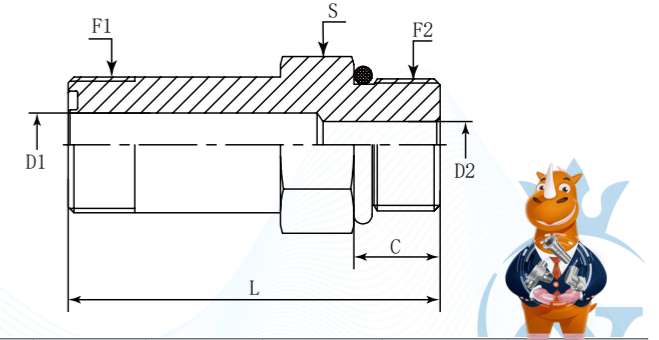
D	A	OF	5	1	30	J
Company	Product Range	Thread Types	Connection Type	Adaptor Structure	Thread Types	Connection Type
DME	Adaptor	ORFS UNF	Male	Straight	SAE UNF	Male + Long O Ring

German Technology Equipment

SHIELD FLEX

New-Standard

- DME&JDE Code: **DAOF5130J**
- Product Type: **Hydraulic adaptor**
- Standard: **ORFS**
- Structure: **Straight**
- Connection Type: **Male x Male**
- Thread Types: **ORFS UNF x SAE UNF + O Ring**
- Sealing Method: **Long O Ring**



PART NUMBER	F1 (Thread)	F2 (Thread)	C	D1	D2	L	S	Hex
#	UNF	UNF	mm	mm	mm	mm	-	-
DAOF5130J-0404	9/16"-18	7/16"-20	11.00	4.50	4.50	52.58	17 mm	Metric
DAOF5130J-0404IN	9/16"-18	7/16"-20	11.00	4.50	4.50	52.58	5/8"	Imperial
DAOF5130J-0606	11/16"-16	9/16"-18	11.99	6.71	6.71	63.00	19 mm	Metric
DAOF5130J-0608	11/16"-16	3/4"-16	14.00	6.71	9.60	66.30	22 mm	Metric
DAOF5130J-0606IN	11/16"-16	9/16"-18	11.99	6.71	6.71	63.00	3/4"	Imperial
DAOF5130J-0608IN	11/16"-16	3/4"-16	14.00	6.71	9.60	66.30	7/8"	Imperial
DAOF5130J-0808	13/16"-16	3/4"-16	14.00	9.60	9.60	67.80	22 mm	Metric
DAOF5130J-0808IN	13/16"-16	3/4"-16	14.00	9.60	9.60	67.80	7/8"	Imperial
DAOF5130J-1008	1"-14	3/4"-16	14.00	12.29	10.00	75.00	27 mm	Metric
DAOF5130J-1010	1"-14	7/8"-14	16.00	12.29	12.29	79.50	27 mm	Metric
DAOF5130J-1008IN	1"-14	3/4"-16	14.00	12.29	10.00	75.00	1-1/16"	Imperial
DAOF5130J-1010IN	1"-14	7/8"-14	16.00	12.29	12.29	79.50	1-1/16"	Imperial
DAOF5130J-1210	1-3/16"-12	7/8"-14	16.00	15.47	12.29	92.96	32 mm	Metric
DAOF5130J-1212	1-3/16"-12	1-1/16"-12	18.49	15.47	15.47	95.50	32 mm	Metric
DAOF5130J-1210IN	1-3/16"-12	7/8"-14	16.00	15.47	12.29	92.96	1-1/4"	Imperial
DAOF5130J-1212IN	1-3/16"-12	1-1/16"-12	18.49	15.47	15.47	95.50	1-1/4"	Imperial
DAOF5130J-1612	1-7/16"-12	1-1/16"-12	18.49	20.60	15.47	105.10	41 mm	Metric
DAOF5130J-1616	1-7/16"-12	1-5/16"-12	18.49	20.60	20.60	105.10	41 mm	Metric
DAOF5130J-1612IN	1-7/16"-12	1-1/16"-12	18.49	20.60	15.47	105.10	1-1/2"	Imperial
DAOF5130J-1616IN	1-7/16"-12	1-5/16"-12	18.49	20.60	20.60	105.10	1-1/2"	Imperial
DAOF5130J-2020	1-11/16"-12	1-5/8"-12	18.49	26.00	26.00	120.85	50 mm	Metric
DAOF5130J-2020IN	1-11/16"-12	1-5/8"-12	18.49	26.00	26.00	120.85	1-7/8"	Imperial
DAOF5130J-2424	2"-12	1-7/8"-12	18.50	32.00	32.00	133.50	55 mm	Metric
DAOF5130J-2424IN	2"-12	1-7/8"-12	18.50	32.00	32.00	133.50	2-1/8"	Imperial



DAOFLN

ORFS Bulkhead Nut

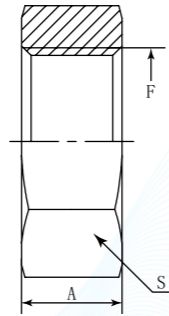
D	A	OF	LN
Company	Product Range	Thread Types	Other Features
DME	Adaptor	ORFS UNF	Bulkhead Nut

German Technology Equipment

SHIELD FLEX

New-Standard

- DME&JDE Code: **DAOFLN**
- Product Type: **Hydraulic adaptor**
- Adaptor Standard: **ORFS**
- Thread types: **UNF**
- Other Features: **Bulkhead**



PART NUMBER	F (Thread)	A	S	Hex
#	UNF	mm	-	-
DAOFLN-0400	9/16"-18	6.90	22 mm	Metric
DAOFLN-0400IN	9/16"-18	6.90	13/16"	Imperial
DAOFLN-0600	11/16"-16	8.00	27 mm	Metric
DAOFLN-0600IN	11/16"-16	8.00	1"	Imperial
DAOFLN-0800	13/16"-16	8.90	30 mm	Metric
DAOFLN-0800IN	13/16"-16	8.90	1-3/16"	Imperial
DAOFLN-1000	1"-14	10.40	36 mm	Metric
DAOFLN-1000IN	1"-14	10.40	1-5/16"	Imperial
DAOFLN-1200	1-3/16"-12	10.40	41 mm	Metric
DAOFLN-1200IN	1-3/16"-12	10.40	1-1/2"	Imperial
DAOFLN-1600	1-7/16"-12	10.40	46 mm	Metric
DAOFLN-1600IN	1-7/16"-12	10.40	1-3/4"	Imperial
DAOFLN-2000	1-11/16"-12	10.40	50 mm	Metric
DAOFLN-2000IN	1-11/16"-12	10.40	2"	Imperial
DAOFLN-2400	2"-12	10.40	60 mm	Metric
DAOFLN-2400IN	2"-12	10.40	2-3/8"	Imperial



DAOF54245

45° Adjustable Elbow ORFS Male – ORFS Male

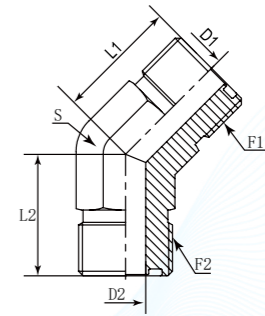
D	A	OF	5	4	24	5
Company	Product Range	Thread Types	Connection Type	Adaptor Structure	Thread Types	Connection Type
DME	Adaptor	ORFS UNF	Male	45° Elbow	ORFS UNF	Male

German Technology Equipment

SHIELD FLEX

New-Standard

- DME&JDE Code: **DAOF54245**
- Product Type: **Hydraulic adaptor**
- Standard: **ORFS**
- Structure: **45° Elbow**
- Connection Type: **Adjustable Male x Male**
- Thread Types: **UNF x UNF**



PART NUMBER	F1 (Thread)	F2 (Thread)	D1	D2	L1	L2	S	Hex
#	UNF	UNF	mm	mm	mm	mm	-	-
DAOF54245-0404	9/16"-18	9/16"-18	4.37	4.37	18.00	18.00	14 mm	Metric
DAOF54245-0404IN	9/16"-18	9/16"-18	4.37	4.37	18.00	18.00	9/16"	Imperial
DAOF54245-0604	11/16"-16	9/16"-18	6.71	4.37	19.50	19.00	19 mm	Metric
DAOF54245-0606	11/16"-16	11/16"-16	6.71	6.71	19.50	19.50	19 mm	Metric
DAOF54245-0604IN	11/16"-16	9/16"-18	6.71	4.37	19.50	19.00	3/4"	Imperial
DAOF54245-0606IN	11/16"-16	11/16"-16	6.71	6.71	19.50	19.50	3/4"	Imperial
DAOF54245-0806	13/16"-16	11/16"-16	9.60	6.71	20.30	20.00	19 mm	Metric
DAOF54245-0808	13/16"-16	13/16"-16	9.60	9.60	20.30	20.30	19 mm	Metric
DAOF54245-0806IN	13/16"-16	11/16"-16	9.60	6.71	20.30	20.00	3/4"	Imperial
DAOF54245-0808IN	13/16"-16	13/16"-16	9.60	9.60	20.30	20.30	3/4"	Imperial
DAOF54245-1008	1"-14	13/16"-16	12.29	9.60	25.00	25.00	27 mm	Metric
DAOF54245-1010	1"-14	1"-14	12.29	12.29	25.00	25.00	27 mm	Metric
DAOF54245-1008IN	1"-14	13/16"-16	12.29	9.60	25.00	25.00	1-1/8"	Imperial
DAOF54245-1010IN	1"-14	1"-14	12.29	12.29	25.00	25.00	1-1/8"	Imperial
DAOF54245-1208	1-3/16"-12	13/16"-16	15.47	9.60	25.90	25.90	30 mm	Metric
DAOF54245-1212	1-3/16"-12	1-3/16"-12	15.47	15.47	25.90	25.90	30 mm	Metric
DAOF54245-1208IN	1-3/16"-12	13/16"-16	15.47	9.60	25.90	25.90	1-3/16"	Imperial
DAOF54245-1212IN	1-3/16"-12	1-3/16"-12	15.47	15.47	25.90	25.90	1-3/16"	Imperial
DAOF54245-1612	1-7/16"-12	1-3/16"-12	20.60	15.47	30.00	30.00	36 mm	Metric
DAOF54245-1616	1-7/16"-12	1-7/16"-12	20.60	20.60	30.00	30.00	36 mm	Metric
DAOF54245-1612IN	1-7/16"-12	1-3/16"-12	20.60	15.47	30.00	30.00	1-3/8"	Imperial
DAOF54245-1616IN	1-7/16"-12	1-7/16"-12	20.60	20.60	30.00	30.00	1-3/8"	Imperial
DAOF54245-2016	1-11/16"-12	1-7/16"-12	26.00	20.60	32.00	32.00	41 mm	Metric
DAOF54245-2020	1-11/16"-12	1-11/16"-12	26.00	26.00	32.00	32.00	41 mm	Metric
DAOF54245-2016IN	1-11/16"-12	1-7/16"-12	26.00	20.60	32.00	32.00	1-1/2"	Imperial
DAOF54245-2020IN	1-11/16"-12	1-11/16"-12	26.00	26.00	32.00	32.00	1-1/2"	Imperial



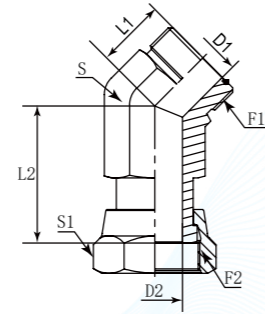
DAOF54241

45° Elbow Connector ORFS Male - ORFS Swivel Female

D	A	OF	5	4	241
Company	Product Range	Thread Types	Connection Type	Adaptor Structure	Connection Type
DME	Adaptor	ORFS UNF	Male	45° Elbow	ORFS Swivel Female



DME&JDE Code:	DAOF54241
Product Type	Hydraulic adaptor
Standard:	ORFS
Structure:	45° Elbow
Connection Type:	Male x Swivel Female
Thread Types:	UNF x UNF



PART NUMBER	F1 (Thread)	F2 (Thread)	L1	L2	D1	D2	S	S1	Hex
#	UNF	UNF	mm	mm	mm	mm	-	-	-
DAOF54241-0404	9/16"-18	9/16"-18	16.00	25.15	4.37	4.19	14 mm	17 mm	Metric
DAOF54241-0404IN	9/16"-18	9/16"-18	16.00	25.15	4.37	4.19	9/16"	11/16"	Imperial
DAOF54241-0606	11/16"-16	11/16"-16	19.00	28.50	6.71	6.71	19 mm	22 mm	Metric
DAOF54241-0606IN	11/16"-16	11/16"-16	19.00	28.50	6.71	6.71	3/4"	13/16"	Imperial
DAOF54241-0808	13/16"-16	13/16"-16	20.50	33.52	9.60	9.09	19 mm	24 mm	Metric
DAOF54241-0808IN	13/16"-16	13/16"-16	20.50	33.52	9.60	9.09	3/4"	15/16"	Imperial
DAOF54241-1010	1"-14	1"-14	23.50	36.58	12.29	11.51	27 mm	30 mm	Metric
DAOF54241-1010IN	1"-14	1"-14	23.50	36.58	12.29	11.51	1-1/16"	1-1/8"	Imperial
DAOF54241-1212	1-3/16"-12	1-3/16"-12	26.00	39.00	15.47	13.89	30 mm	36 mm	Metric
DAOF54241-1212IN	1-3/16"-12	1-3/16"-12	26.00	39.00	15.47	13.89	1-3/16"	1-3/8"	Imperial
DAOF54241-1616	1-7/16"-12	1-7/16"-12	30.00	47.50	20.50	20.00	36 mm	41 mm	Metric
DAOF54241-1616IN	1-7/16"-12	1-7/16"-12	30.00	47.50	20.50	20.00	1-7/16"	1-5/8"	Imperial
DAOF54241-2020	1-11/16"-12	1-11/16"-12	32.00	50.30	26.00	26.00	41 mm	50 mm	Metric
DAOF54241-2020IN	1-11/16"-12	1-11/16"-12	32.00	50.30	26.00	26.00	1-5/8"	1-7/8"	Imperial
DAOF54241-2424	2"-12	2"-12	36.80	52.30	32.00	32.00	50 mm	60 mm	Metric
DAOF54241-2424IN	2"-12	2"-12	36.80	52.30	32.00	32.00	1-7/8"	2-1/4"	Imperial



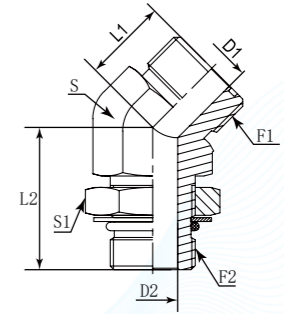
DAOF54305

45° Adjustable Elbow ORFS Male - SAE Male O Ring

D	A	OF	5	4	30	5
Company	Product Range	Thread Types	Connection Type	Adaptor Structure	Thread Types	Connection Type
DME	Adaptor	ORFS UNF	Male	45° Elbow	SAE UNF	Male O Ring



DME&JDE Code:	DAOF54305
Product Type	Hydraulic adaptor
Standard:	ORFS
Structure:	45° Elbow
Connection Type:	Adjustable Male x Male
Thread Types:	ORFS UNF x SAE UNF + O Ring
Sealing Method:	O Ring



PART NUMBER	F1 (Thread)	F2 (Thread)	L1	L2	D1	D2	S	S1	Hex
#	UNF	UNF	mm	mm	mm	mm	-	-	-
DAOF54305-0404	9/16"-18	7/16"-20	16.00	30.00	4.37	4.37	14 mm	17 mm	Metric
DAOF54305-0406	9/16"-18	9/16"-18	17.30	33.00	4.37	6.71	19 mm	19 mm	Metric
DAOF54305-0408	9/16"-18	3/4"-16	17.30	36.30	4.37	9.60	19 mm	24 mm	Metric
DAOF54305-0404IN	9/16"-18	7/16"-20	16.00	30.00	4.37	4.37	9/16"	5/8"	Imperial
DAOF54305-0406IN	9/16"-18	9/16"-18	17.30	33.00	4.37	6.71	3/4"	3/4"	Imperial
DAOF54305-0408IN	9/16"-18	3/4"-16	17.30	36.30	4.37	9.60	3/4"	15/16"	Imperial
DAOF54305-0604	11/16"-16	7/16"-20	18.80	31.00	6.71	4.37	19 mm	17 mm	Metric
DAOF54305-0606	11/16"-16	9/16"-18	18.80	33.00	6.71	6.71	19 mm	19 mm	Metric
DAOF54305-0608	11/16"-16	3/4"-16	18.80	36.30	6.71	9.60	19 mm	24 mm	Metric
DAOF54305-0610	11/16"-16	7/8"-14	20.00	44.70	6.71	12.29	27 mm	27 mm	Metric
DAOF54305-0612	11/16"-16	1-1/16"-12	20.00	50.00	6.71	15.47	27 mm	36 mm	Metric
DAOF54305-0604IN	11/16"-16	7/16"-20	18.80	31.00	6.71	4.37	3/4"	5/8"	Imperial
DAOF54305-0606IN	11/16"-16	9/16"-18	18.80	33.00	6.71	6.71	3/4"	3/4"	Imperial
DAOF54305-0608IN	11/16"-16	3/4"-16	18.80	36.30	6.71	9.60	3/4"	15/16"	Imperial
DAOF54305-0610IN	11/16"-16	7/8"-14	20.00	44.70	6.71	12.29	1-1/16"	1-1/16"	Imperial
DAOF54305-0612IN	11/16"-16	1-1/16"-12	20.00	50.00	6.71	15.47	1-1/16"	1-3/8"	Imperial
DAOF54305-0806	13/16"-16	9/16"-18	20.30	32.30	9.60	6.71	19 mm	19 mm	Metric
DAOF54305-0808	13/16"-16	3/4"-16	20.30	36.30	9.50	10.00	19 mm	24 mm	Metric



DAOF54305-0810	13/16"-16	7/8"-14	20.80	44.70	9.60	12.29	27 mm	27 mm	Metric
DAOF54305-0812	13/16"-16	1-1/16"-12	22.50	50.00	9.60	15.50	30 mm	36 mm	Metric
DAOF54305-0806IN	13/16"-16	9/16"-18	20.30	32.30	9.60	6.71	3/4"	3/4"	Imperial
DAOF54305-0808IN	13/16"-16	3/4"-16	20.30	36.30	9.50	10.00	3/4"	15/16"	Imperial
DAOF54305-0810IN	13/16"-16	7/8"-14	20.80	44.70	9.60	12.29	1-1/16"	1-1/16"	Imperial
DAOF54305-0812IN	13/16"-16	1-1/16"-12	22.50	50.00	9.60	15.50	1-3/16"	1-3/8"	Imperial
DAOF54305-1008	1"-14	3/4"-16	23.50	40.20	12.50	10.00	27 mm	24 mm	Metric
DAOF54305-1010	1"-14	7/8"-14	23.40	44.70	12.29	12.29	27 mm	27 mm	Metric
DAOF54305-1012	1"-14	1-1/16"-12	24.50	50.00	12.50	15.47	30 mm	36 mm	Metric
DAOF54305-1008IN	1"-14	3/4"-16	23.50	40.20	12.50	10.00	1-1/16"	15/16"	Imperial
DAOF54305-1010IN	1"-14	7/8"-14	23.40	44.70	12.29	12.29	1-1/16"	1-1/16"	Imperial
DAOF54305-1012IN	1"-14	1-1/16"-12	24.50	50.00	12.50	15.47	1-3/16"	1-3/8"	Imperial
DAOF54305-1208	1-3/16"-12	3/4"-16	26.00	41.50	15.50	10.00	30 mm	24 mm	Metric
DAOF54305-1210	1-3/16"-12	7/8"-14	25.90	44.70	15.47	12.29	30 mm	27 mm	Metric
DAOF54305-1212	1-3/16"-12	1-1/16"-12	25.90	50.00	15.47	15.47	30 mm	36 mm	Metric
DAOF54305-1216	1-3/16"-12	1-5/16"-12	29.50	52.30	15.47	20.60	36 mm	41 mm	Metric
DAOF54305-1208IN	1-3/16"-12	3/4"-16	26.00	41.50	15.50	10.00	1-3/16"	15/16"	Imperial
DAOF54305-1210IN	1-3/16"-12	7/8"-14	25.90	44.70	15.47	12.29	1-3/16"	1-1/16"	Imperial
DAOF54305-1212IN	1-3/16"-12	1-1/16"-12	25.90	50.00	15.47	15.47	1-3/16"	1-3/8"	Imperial
DAOF54305-1216IN	1-3/16"-12	1-5/16"-12	29.50	52.30	15.47	20.60	1-7/16"	1-5/8"	Imperial
DAOF54305-1612	1-7/16"-12	1-1/16"-12	30.00	51.70	20.50	15.47	36 mm	36 mm	Metric
DAOF54305-1616	1-7/16"-12	1-5/16"-12	30.00	52.50	20.50	21.50	36 mm	41 mm	Metric
DAOF54305-1620	1-7/16"-12	1-5/8"-12	32.00	53.60	20.60	26.00	41 mm	50 mm	Metric
DAOF54305-1612IN	1-7/16"-12	1-1/16"-12	30.00	51.70	20.50	15.47	1-7/16"	1-3/8"	Imperial
DAOF54305-1616IN	1-7/16"-12	1-5/16"-12	30.00	52.50	20.50	21.50	1-7/16"	1-5/8"	Imperial
DAOF54305-1620IN	1-7/16"-12	1-5/8"-12	32.00	53.60	20.60	26.00	1-5/8"	1-7/8"	Imperial
DAOF54305-2016	1-11/16"-12	1-5/16"-12	32.00	53.50	26.00	21.50	41 mm	41 mm	Metric
DAOF54305-2020	1-11/16"-12	1-5/8"-12	32.00	53.60	26.00	27.50	41 mm	50 mm	Metric
DAOF54305-2016IN	1-11/16"-12	1-5/16"-12	32.00	53.50	26.00	21.50	1-5/8"	1-5/8"	Imperial
DAOF54305-2020IN	1-11/16"-12	1-5/8"-12	32.00	53.60	26.00	27.50	1-5/8"	1-7/8"	Imperial
DAOF54305-2424	2"-12	1-7/8"-12	36.80	53.60	32.00	32.00	50 mm	55 mm	Metric
DAOF54305-2424IN	2"-12	1-7/8"-12	36.80	53.60	32.00	32.00	1-7/8"	2-1/8"	Imperial



DAOF5406Q

45° Adjustable Elbow ORFS Male - BSPP Male + O Ring + Retaining Ring

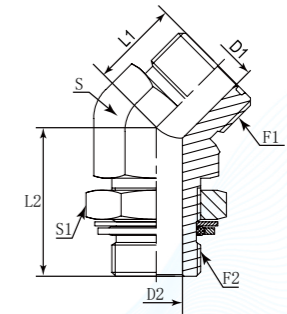
D	A	OF	5	4	06	M
Company	Product Range	Thread Types	Connection Type	Adaptor Structure	Thread Types	Connection Type
DME	Adaptor	ORFS UNF	Male	45° Elbow	BSPP	Male + O Ring + Retaining Ring

German Technology Equipment

SHIELD FLEX

New-Standard

- DME&JDE Code:** DAOF5406Q
- Product Type:** Hydraulic adaptor
- Standard:** ORFS
- Structure:** 45° Elbow
- Connection Type:** Adjustable Male x Male
- Thread Types:** UNF x BSPP
- Sealing Method:** O Ring + Retaining Ring



PART NUMBER	F1 (Thread)	F2 (Thread)	L1	L2	D1	D2	S	S1
#	UNF	BSPP	mm	mm	mm	mm	mm	mm
DAOF5406Q-0402	9/16"-18	1/8"-28	16.00	26.50	4.37	4.40	14.00	14.00
DAOF5406Q-0404	9/16"-18	1/4"-19	16.00	29.00	4.37	7.50	14.00	19.00
DAOF5406Q-0406	9/16"-18	3/8"-19	17.30	33.00	4.37	9.90	19.00	22.00
DAOF5406Q-0604	11/16"-16	1/4"-19	18.80	31.00	6.71	7.50	19.00	19.00
DAOF5406Q-0606	11/16"-16	3/8"-19	18.80	33.00	6.71	9.90	19.00	22.00
DAOF5406Q-0608	11/16"-16	1/2"-14	18.80	38.50	6.71	12.30	22.00	27.00
DAOF5406Q-0804	13/16"-16	1/4"-19	20.30	32.30	9.60	7.50	19.00	19.00
DAOF5406Q-0806	13/16"-16	3/8"-19	20.30	33.00	9.60	9.90	19.00	22.00
DAOF5406Q-0808	13/16"-16	1/2"-14	21.50	36.50	9.50	12.30	22.00	27.00
DAOF5406Q-1008	1"-14	1/2"-14	23.40	40.40	12.29	12.30	27.00	27.00
DAOF5406Q-1012	1"-14	3/4"-14	24.40	50.00	12.29	15.50	27.00	36.00
DAOF5406Q-1212	1-3/16"-12	3/4"-14	25.90	50.00	15.47	15.50	30.00	36.00
DAOF5406Q-1216	1-3/16"-12	1"-11	29.50	52.30	15.47	21.50	36.00	41.00
DAOF5406Q-1616	1-7/16"-12	1"-11	30.00	51.80	20.60	20.60	36.00	41.00
DAOF5406Q-1620	1-7/16"-12	1-1/4"-11	32.00	53.50	20.60	26.00	41.00	50.00
DAOF5406Q-2016	1-11/16"-12	1"-11	32.00	53.50	26.00	21.50	41.00	41.00
DAOF5406Q-2020	1-11/16"-12	1-1/4"-11	32.00	53.50	26.00	26.00	41.00	50.00
DAOF5406Q-2024	1-11/16"-12	1-1/2"-11	36.80	53.60	26.00	33.00	48.00	55.00



DAOF54065

45° Adjustable Elbow ORFS Male - BSPP Male + O Ring

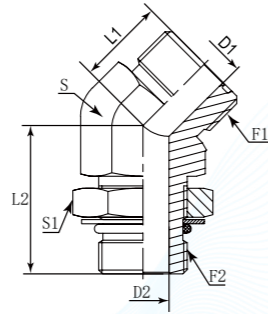
D	A	OF	5	4	06	5
Company	Product Range	Thread Types	Connection Type	Adaptor Structure	Thread Types	Connection Type
DME	Adaptor	ORFS UNF	Male	45° Elbow	BSPP	Male + O Ring

German Technology Equipment

SHIELD FLEX

New-Standard

- DME&JDE Code:** DAOF54065
- Product Type:** Hydraulic adaptor
- Standard:** ORFS
- Structure:** 45° Elbow
- Connection Type:** Adjustable Male × Male
- Thread Types:** UNF × BSPP + O Ring
- Sealing Method:** O Ring



PART NUMBER	F1 (Thread)	F2 (Thread)	L1	L2	D1	D2	S	S1
#	UNF	BSPP	mm	mm	mm	mm	mm	mm
DAOF54065-0402	9/16"-18	1/8"-28	16.00	26.50	4.37	4.40	14.00	14.00
DAOF54065-0404	9/16"-18	1/4"-19	16.00	29.00	4.37	7.50	14.00	19.00
DAOF54065-0406	9/16"-18	3/8"-19	17.30	33.00	4.37	9.90	19.00	22.00
DAOF54065-0604	11/16"-16	1/4"-19	18.80	31.00	6.71	7.50	19.00	19.00
DAOF54065-0606	11/16"-16	3/8"-19	18.80	33.00	6.71	9.90	19.00	22.00
DAOF54065-0608	11/16"-16	1/2"-14	18.80	38.50	6.71	12.30	22.00	27.00
DAOF54065-0804	13/16"-16	1/4"-19	20.30	32.30	9.60	7.50	19.00	19.00
DAOF54065-0806	13/16"-16	3/8"-19	20.30	33.00	9.60	9.90	19.00	22.00
DAOF54065-0808	13/16"-16	1/2"-14	21.50	36.50	9.50	12.30	22.00	27.00
DAOF54065-1008	1"-14	1/2"-14	23.40	40.40	12.29	12.30	27.00	27.00
DAOF54065-1012	1"-14	3/4"-14	24.40	50.00	12.29	15.50	27.00	36.00
DAOF54065-1212	1-3/16"-12	3/4"-14	25.90	50.00	15.47	15.50	30.00	36.00
DAOF54065-1216	1-3/16"-12	1"-11	29.50	52.30	15.47	21.50	36.00	41.00
DAOF54065-1616	1-7/16"-12	1"-11	30.00	51.80	20.60	20.60	36.00	41.00
DAOF54065-1620	1-7/16"-12	1-1/4"-11	32.00	53.50	20.60	26.00	41.00	50.00
DAOF54065-2016	1-11/16"-12	1"-11	32.00	53.50	26.00	21.50	41.00	41.00
DAOF54065-2020	1-11/16"-12	1-1/4"-11	32.00	53.50	26.00	26.00	41.00	50.00
DAOF54065-2024	1-11/16"-12	1-1/2"-11	36.80	53.60	26.00	33.00	48.00	55.00

DAOF5452Q

45° Adjustable Elbow ORFS Male - Metric Male + O Ring + Retaining Ring

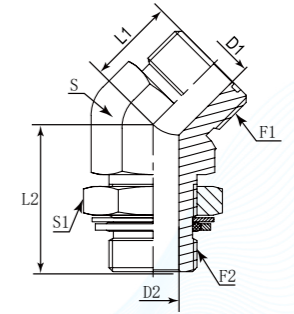
D	A	OF	5	4	52	Q
Company	Product Range	Thread Types	Connection Type	Adaptor Structure	Thread Types	Connection Type
DME	Adaptor	ORFS UNF	Male	45° Elbow	Metric	Male + O Ring + Retaining Ring

German Technology Equipment

SHIELD FLEX

New-Standard

- DME&JDE Code:** DAOF5452Q
- Product Type:** Hydraulic adaptor
- Standard:** ORFS
- Structure:** 45° Elbow
- Connection Type:** Adjustable Male × Male
- Thread Types:** UNF × Metric
- Sealing Method:** O Ring + Retaining Ring



PART NUMBER	F1 (Thread)	F2 (Thread)	L1	L2	D1	D2	S	S1
#	UNF	Metric	mm	mm	mm	mm	mm	mm
DAOF5452Q-0412	9/16"-18	M12X1.5	16.00	30.00	4.37	4.37	14.00	17.00
DAOF5452Q-0414	9/16"-18	M14X1.5	18.50	29.50	4.37	6.00	14.00	19.00
DAOF5452Q-0614	11/16"-16	M14X1.5	18.80	31.00	6.71	6.00	19.00	19.00
DAOF5452Q-0616	11/16"-16	M16X1.5	19.00	33.00	6.71	7.00	19.00	22.00
DAOF5452Q-0814	13/16"-16	M14X1.5	20.50	31.00	9.60	6.00	19.00	19.00
DAOF5452Q-0818	13/16"-16	M18X1.5	20.50	36.50	9.60	9.00	19.00	24.00
DAOF5452Q-1022	1"-14	M22X1.5	23.50	45.00	12.29	12.00	27.00	27.00
DAOF5452Q-1227	1-3/16"-12	M27X2	26.00	50.00	15.47	15.00	30.00	32.00
DAOF5452Q-1633	1-7/16"-12	M33X2	30.00	52.50	20.60	20.00	36.00	41.00
DAOF5452Q-2042	1-11/16"-12	M42X2	32.00	53.50	26.00	26.00	41.00	50.00
DAOF5452Q-2448	2"-12	M48X2	37.00	53.50	32.00	32.00	48.00	55.00

Certificate: ISO 9001, ISO 14001, MSHA, DAKKS, DEKRA, DIN, SE, MA, WSF



DAOF54525

45° Adjustable Elbow ORFS Male - Metric Male + O Ring

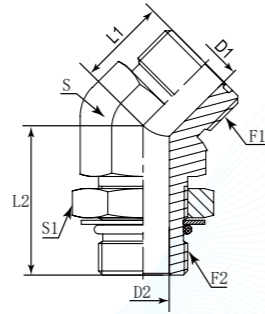
D	A	OF	5	4	52	M
Company	Product Range	Thread Types	Connection Type	Adaptor Structure	Thread Types	Connection Type
DME	Adaptor	ORFS UNF	Male	45° Elbow	Metric	Male + O Ring

German Technology Equipment

SHIELD FLEX

New-Standard

- DME&JDE Code: **DAOF54525**
- Product Type: **Hydraulic adaptor**
- Standard: **ORFS**
- Structure: **45° Elbow**
- Connection Type: **Adjustable Male x Male**
- Thread Types: **UNF x Metric 60° + O Ring**
- Sealing Method: **O Ring**



PART NUMBER	F1 (Thread)	F2 (Thread)	L1	L2	D1	D2	S	S1
#	UNF	Metric	mm	mm	mm	mm	mm	mm
DAOF54525-0412	9/16"-18	M12X1.5	16.00	30.00	4.37	4.37	14.00	17.00
DAOF54525-0414	9/16"-18	M14X1.5	18.50	29.50	4.37	6.00	14.00	19.00
DAOF54525-0614	11/16"-16	M14X1.5	18.80	31.00	6.71	6.00	19.00	19.00
DAOF54525-0616	11/16"-16	M16X1.5	19.00	33.00	6.71	7.00	19.00	22.00
DAOF54525-0814	13/16"-16	M14X1.5	20.50	31.00	9.60	6.00	19.00	19.00
DAOF54525-0818	13/16"-16	M18X1.5	20.50	36.50	9.60	9.00	19.00	24.00
DAOF54525-1022	1"-14	M22X1.5	23.50	45.00	12.29	12.00	27.00	27.00
DAOF54525-1227	1-3/16"-12	M27X2	26.00	50.00	15.47	15.00	30.00	32.00
DAOF54525-1633	1-7/16"-12	M33X2	30.00	52.50	20.60	20.00	36.00	41.00
DAOF54525-2042	1-11/16"-12	M42X2	32.00	53.50	26.00	26.00	41.00	50.00
DAOF54525-2448	2"-12	M48X2	37.00	53.50	32.00	32.00	48.00	55.00

DAOF5428M

45° Elbow Connector ORFS Male - NPTF Male

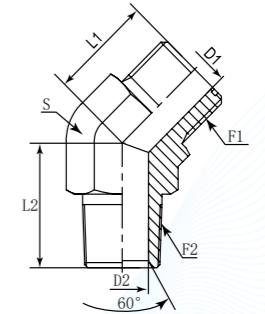
D	A	OF	5	4	28	M
Company	Product Range	Thread Types	Connection Type	Adaptor Structure	Thread Types	Connection Type
DME	Adaptor	ORFS UNF	Male	45° Elbow	NPTF	Male

German Technology Equipment

SHIELD FLEX

New-Standard

- DME&JDE Code: **DAOF5428M**
- Product Type: **Hydraulic adaptor**
- Standard: **ORFS**
- Structure: **45° Elbow**
- Connection Type: **Male x Male**
- Thread Types: **UNF x NPTF**



PART NUMBER	F1 (Thread)	F2 (Thread)	L1	L2	D1	D2	S	Hex
#	UNF	NPTF	mm	mm	mm	mm	-	-
DAOF5428M-0402	9/16"-18	1/8"-27	16.00	17.00	4.37	4.78	14 mm	Metric
DAOF5428M-0404	9/16"-18	1/4"-18	16.00	21.80	4.37	7.14	14 mm	Metric
DAOF5428M-0402IN	9/16"-18	1/8"-27	16.00	17.00	4.37	4.78	9/16"	Imperial
DAOF5428M-0404IN	9/16"-18	1/4"-18	16.00	21.80	4.37	7.14	9/16"	Imperial
DAOF5428M-0604	11/16"-16	1/4"-18	18.80	21.80	6.71	7.14	19 mm	Metric
DAOF5428M-0606	11/16"-16	3/8"-18	18.80	24.10	6.71	10.31	19 mm	Metric
DAOF5428M-0608	11/16"-16	1/2"-14	20.00	29.70	6.71	13.49	22 mm	Metric
DAOF5428M-0604IN	11/16"-16	1/4"-18	18.80	21.80	6.71	7.14	3/4"	Imperial
DAOF5428M-0606IN	11/16"-16	3/8"-18	18.80	24.10	6.71	10.31	3/4"	Imperial
DAOF5428M-0608IN	11/16"-16	1/2"-14	20.00	29.70	6.71	13.49	7/8"	Imperial
DAOF5428M-0806	13/16"-16	3/8"-18	20.30	24.10	9.60	10.31	19 mm	Metric
DAOF5428M-0808	13/16"-16	1/2"-14	20.30	29.70	9.60	13.49	22 mm	Metric
DAOF5428M-0812	13/16"-16	3/4"-14	20.83	30.50	9.50	18.26	27 mm	Metric
DAOF5428M-0806IN	13/16"-16	3/8"-18	20.30	24.10	9.60	10.31	3/4"	Imperial
DAOF5428M-0808IN	13/16"-16	1/2"-14	20.30	29.70	9.60	13.49	7/8"	Imperial
DAOF5428M-0812IN	13/16"-16	3/4"-14	20.83	30.50	9.50	18.26	1-1/16"	Imperial
DAOF5428M-1008	1"-14	1/2"-14	23.40	29.90	12.29	13.49	27 mm	Metric
DAOF5428M-1008IN	1"-14	1/2"-14	23.40	29.90	12.29	13.49	1-1/16"	Imperial
DAOF5428M-1208	1-3/16"-12	1/2"-14	25.90	33.00	15.50	13.49	30 mm	Metric
DAOF5428M-1212	1-3/16"-12	3/4"-14	25.90	33.00	15.47	18.26	30 mm	Metric
DAOF5428M-1208IN	1-3/16"-12	1/2"-14	25.90	33.00	15.50	13.49	1-3/16"	Imperial
DAOF5428M-1212IN	1-3/16"-12	3/4"-14	25.90	33.00	15.47	18.26	1-3/16"	Imperial
DAOF5428M-1612	1-7/16"-12	3/4"-14	30.00	36.50	20.60	18.26	36 mm	Metric
DAOF5428M-1616	1-7/16"-12	1"-11-1/2	30.00	39.60	20.60	23.83	36 mm	Metric
DAOF5428M-1612IN	1-7/16"-12	3/4"-14	30.00	36.50	20.60	18.26	1-7/16"	Imperial
DAOF5428M-1616IN	1-7/16"-12	1"-11-1/2	30.00	39.60	20.60	23.83	1-7/16"	Imperial
DAOF5428M-2016	1-11/16"-12	1"-11-1/2	32.00	41.67	26.00	23.83	41 mm	Metric
DAOF5428M-2020	1-11/16"-12	1-1/4"-11-1/2	32.00	42.40	26.00	31.75	41 mm	Metric
DAOF5428M-2016IN	1-11/16"-12	1"-11-1/2	32.00	41.67	26.00	23.83	1-5/8"	Imperial
DAOF5428M-2020IN	1-11/16"-12	1-1/4"-11-1/2	32.00	42.40	26.00	31.75	1-5/8"	Imperial
DAOF5428M-2424	2"-12	1-1/2"-11-1/2	36.80	50.00	32.00	38.10	50 mm	Metric
DAOF5428M-2424IN	2"-12	1-1/2"-11-1/2	36.80	50.00	32.00	38.10	1-7/8"	Imperial



DAOF5424T

45° Bulkhead Elbow ORFS Male - ORFS Male

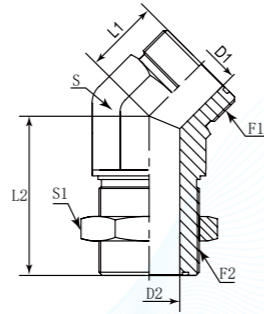
D	A	OF	5	4	24	T
Company	Product Range	Thread Types	Connection Type	Adaptor Structure	Thread Types	Connection Type
DME	Adaptor	ORFS UNF	Male	45° Elbow	ORFS UNF	Bulkhead Male

German Technology Equipment

SHIELD FLEX

New-Standard

- DME&JDE Code:** DAOF5424T
- Product Type:** Hydraulic adaptor
- Standard:** ORFS
- Structure:** 45° Elbow
- Connection Type:** Male x Male
- Thread Types:** UNF x UNF
- Other Features:** Bulkhead



PART NUMBER	F1 (Thread)	F2 (Thread)	L1	L2	D1	D2	S	S1	Hex
#	UNF	UNF	mm	mm	mm	mm	-	-	-
DAOF5424T-0404	9/16"-18	9/16"-18	16.00	43.90	4.37	4.37	14 mm	22 mm	Metric
DAOF5424T-0404IN	9/16"-18	9/16"-18	16.00	43.90	4.37	4.37	9/16"	13/16"	Imperial
DAOF5424T-0606	11/16"-16	11/16"-16	18.80	48.50	6.71	6.71	19 mm	27 mm	Metric
DAOF5424T-0606IN	11/16"-16	11/16"-16	18.80	48.50	6.71	6.71	3/4"	1"	Imperial
DAOF5424T-0808	13/16"-16	13/16"-16	20.30	51.10	9.60	9.60	19 mm	30 mm	Metric
DAOF5424T-0808IN	13/16"-16	13/16"-16	20.30	51.10	9.60	9.60	3/4"	1-1/8"	Imperial
DAOF5424T-1010	1"-14	1"-14	23.50	56.50	12.50	12.50	27 mm	36 mm	Metric
DAOF5424T-1010IN	1"-14	1"-14	23.50	56.50	12.50	12.50	1-1/16"	1-5/16"	Imperial
DAOF5424T-1212	1-3/16"-12	1-3/16"-12	25.90	60.70	15.47	15.47	30 mm	41 mm	Metric
DAOF5424T-1212IN	1-3/16"-12	1-3/16"-12	25.90	60.70	15.47	15.47	1-3/16"	1-1/2"	Imperial
DAOF5424T-1616	1-7/16"-12	1-7/16"-12	30.00	65.30	20.60	20.60	36 mm	46 mm	Metric
DAOF5424T-1616IN	1-7/16"-12	1-7/16"-12	30.00	65.30	20.60	20.60	1-7/16"	1-3/4"	Imperial
DAOF5424T-2020	1-11/16"-12	1-11/16"-12	32.00	67.10	26.00	26.00	41 mm	50 mm	Metric
DAOF5424T-2020IN	1-11/16"-12	1-11/16"-12	32.00	67.10	26.00	26.00	1-5/8"	2"	Imperial
DAOF5424T-2424	2"-12	2"-12	36.80	67.10	32.00	32.00	48 mm	60 mm	Metric
DAOF5424T-2424IN	2"-12	2"-12	36.80	67.10	32.00	32.00	1-7/8"	2-3/8"	Imperial



DAOF59245

90° Elbow Connector ORFS Male - ORFS Male

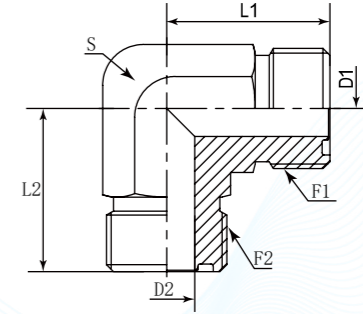
D	A	OF	5	9	24	5
Company	Product Range	Thread Types	Connection Type	Adaptor Structure	Thread Types	Connection Type
DME	Adaptor	ORFS UNF	Male	90° Elbow	ORFS UNF	Male

German Technology Equipment

SHIELD FLEX

New-Standard

- DME&JDE Code:** DAOF59245
- Product Type:** Hydraulic adaptor
- Standard:** ORFS
- Structure:** 90° Elbow
- Connection Type:** Male x Male
- Thread Types:** UNF x UNF



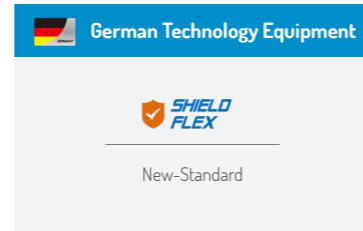
PART NUMBER	F1 (Thread)	F2 (Thread)	L1	L2	D1	D2	S	Hex
#	UNF	UNF	mm	mm	mm	mm	-	-
DAOF59245-0404	9/16"-18	9/16"-18	21.60	21.60	4.50	4.50	14 mm	Metric
DAOF59245-0404IN	9/16"-18	9/16"-18	21.60	21.60	4.50	4.50	9/16"	Imperial
DAOF59245-0604	11/16"-16	9/16"-18	25.00	25.00	6.71	4.37	19 mm	Metric
DAOF59245-0606	11/16"-16	11/16"-16	24.90	24.90	6.71	6.71	19 mm	Metric
DAOF59245-0604IN	11/16"-16	9/16"-18	25.00	25.00	6.71	4.37	3/4"	Imperial
DAOF59245-0606IN	11/16"-16	11/16"-16	24.90	24.90	6.71	6.71	3/4"	Imperial
DAOF59245-0806	13/16"-16	11/16"-16	28.00	28.00	9.60	6.71	19 mm	Metric
DAOF59245-0808	13/16"-16	13/16"-16	28.00	28.00	9.60	9.60	19 mm	Metric
DAOF59245-0806IN	13/16"-16	11/16"-16	28.00	28.00	9.60	6.71	3/4"	Imperial
DAOF59245-0808IN	13/16"-16	13/16"-16	28.00	28.00	9.60	9.60	3/4"	Imperial
DAOF59245-1008	1"-14	13/16"-16	33.30	33.30	12.29	9.60	27 mm	Metric
DAOF59245-1010	1"-14	1"-14	33.30	33.30	12.29	12.29	27 mm	Metric
DAOF59245-1008IN	1"-14	13/16"-16	33.30	33.30	12.29	9.60	1-1/16"	Imperial
DAOF59245-1010IN	1"-14	1"-14	33.30	33.30	12.29	12.29	1-1/16"	Imperial
DAOF59245-1208	1-3/16"-12	13/16"-16	37.30	34.50	15.47	9.60	30 mm	Metric
DAOF59245-1212	1-3/16"-12	1-3/16"-12	37.50	37.50	15.50	15.50	30 mm	Metric
DAOF59245-1208IN	1-3/16"-12	13/16"-16	37.30	34.50	15.47	9.60	1-3/16"	Imperial
DAOF59245-1212IN	1-3/16"-12	1-3/16"-12	37.50	37.50	15.50	15.50	1-3/16"	Imperial
DAOF59245-1612	1-7/16"-12	1-3/16"-12	41.70	41.70	20.60	15.47	36 mm	Metric
DAOF59245-1616	1-7/16"-12	1-7/16"-12	41.70	41.70	20.60	20.60	36 mm	Metric
DAOF59245-1612IN	1-7/16"-12	1-3/16"-12	41.70	41.70	20.60	15.47	1-7/16"	Imperial
DAOF59245-1616IN	1-7/16"-12	1-7/16"-12	41.70	41.70	20.60	20.60	1-7/16"	Imperial
DAOF59245-2016	1-11/16"-12	1-7/16"-12	44.70	44.70	26.00	20.60	41 mm	Metric
DAOF59245-2020	1-11/16"-12	1-11/16"-12	44.70	44.70	26.00	26.00	41 mm	Metric
DAOF59245-2016IN	1-11/16"-12	1-7/16"-12	44.70	44.70	26.00	20.60	1-5/8"	Imperial
DAOF59245-2020IN	1-11/16"-12	1-11/16"-12	44.70	44.70	26.00	26.00	1-5/8"	Imperial
DAOF59245-2420	2"-12	1-11/16"-12	48.80	48.80	32.00	26.00	50 mm	Metric
DAOF59245-2424	2"-12	2"-12	48.80	48.80	32.00	32.00	50 mm	Metric
DAOF59245-2420IN	2"-12	1-11/16"-12	48.80	48.80	32.00	26.00	1-7/8"	Imperial
DAOF59245-2424IN	2"-12	2"-12	48.80	48.80	32.00	32.00	1-7/8"	Imperial



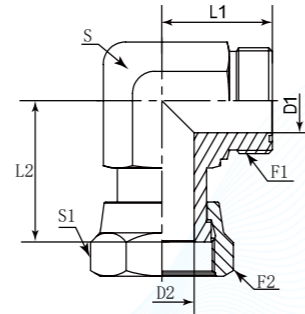
DAOF59241

90° Elbow Connector ORFS Male - ORFS Swivel Female

D	A	OF	5	9	241
Company	Product Range	Thread Types	Connection Type	Adaptor Structure	Connection Type
DME	Adaptor	ORFS UNF	Male	90° Elbow	ORFS Swivel Female



DME&JDE Code:	DAOF59241
Product Type	Hydraulic adaptor
Standard:	ORFS
Structure:	90° Elbow
Connection Type:	Male x Swivel Female
Thread Types:	UNF x UNF



PART NUMBER	F1 (Thread)	F2 (Thread)	L1	L2	D1	D2	S	S1	Hex
#	UNF	UNF	mm	mm	mm	mm	-	-	-
DAOF59241-0404	9/16"-18	9/16"-18	21.59	26.41	4.37	4.19	14 mm	17 mm	Metric
DAOF59241-0406	9/16"-18	11/16"-16	23.50	29.21	4.37	6.71	19 mm	22 mm	Metric
DAOF59241-0404IN	9/16"-18	9/16"-18	21.59	26.41	4.37	4.19	9/16"	11/16"	Imperial
DAOF59241-0406IN	9/16"-18	11/16"-16	23.50	29.21	4.37	6.71	3/4"	13/16"	Imperial
DAOF59241-0606	11/16"-16	11/16"-16	24.89	29.21	6.71	6.71	19 mm	22 mm	Metric
DAOF59241-0606IN	11/16"-16	11/16"-16	24.89	29.21	6.71	6.71	3/4"	13/16"	Imperial
DAOF59241-0806	13/16"-16	11/16"-16	27.94	33.80	9.60	6.71	19 mm	22 mm	Metric
DAOF59241-0808	13/16"-16	13/16"-16	28.00	38.00	9.60	9.09	19 mm	24 mm	Metric
DAOF59241-0812	13/16"-16	1-3/16"-12	34.50	46.30	9.60	13.89	30 mm	36 mm	Metric
DAOF59241-0806IN	13/16"-16	11/16"-16	27.94	33.80	9.60	6.71	3/4"	13/16"	Imperial
DAOF59241-0808IN	13/16"-16	13/16"-16	28.00	38.00	9.60	9.09	3/4"	15/16"	Imperial
DAOF59241-0812IN	13/16"-16	1-3/16"-12	34.50	46.30	9.60	13.89	1-3/16"	1-3/8"	Imperial
DAOF59241-1010	1"-14	1"-14	33.27	41.15	12.29	11.51	27 mm	30 mm	Metric
DAOF59241-1010IN	1"-14	1"-14	33.27	41.15	12.29	11.51	1-1/16"	1-1/8"	Imperial
DAOF59241-1212	1-3/16"-12	1-3/16"-12	37.50	46.50	15.50	14.00	30 mm	36 mm	Metric
DAOF59241-1212IN	1-3/16"-12	1-3/16"-12	37.50	46.50	15.50	14.00	1-3/16"	1-3/8"	Imperial
DAOF59241-1616	1-7/16"-12	1-7/16"-12	41.66	53.34	20.60	19.89	36 mm	41 mm	Metric
DAOF59241-1616IN	1-7/16"-12	1-7/16"-12	41.66	53.34	20.60	19.89	1-7/16"	1-5/8"	Imperial
DAOF59241-2020	1-11/16"-12	1-11/16"-12	44.70	58.17	26.00	26.00	41 mm	50 mm	Metric
DAOF59241-2020IN	1-11/16"-12	1-11/16"-12	44.70	58.17	26.00	26.00	1-5/8"	1-7/8"	Imperial
DAOF59241-2420	2"-12	1-11/16"-12	49.00	61.00	32.00	26.01	48 mm	50 mm	Metric
DAOF59241-2424	2"-12	2"-12	48.80	61.20	32.00	32.00	48 mm	60 mm	Metric
DAOF59241-2420IN	2"-12	1-11/16"-12	49.00	61.00	32.00	26.01	1-7/8"	1-7/8"	Imperial
DAOF59241-2424IN	2"-12	2"-12	48.80	61.20	32.00	32.00	1-7/8"	2-1/4"	Imperial



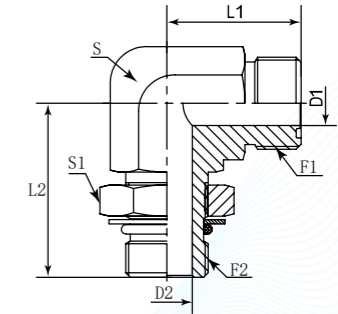
DAOF59305

90° Adjustable Elbow ORFS Male - SAE Male O Ring

D	A	OF	5	9	30	M
Company	Product Range	Thread Types	Connection Type	Adaptor Structure	Thread Types	Connection Type
DME	Adaptor	ORFS UNF	Male	90° Elbow	SAE UNF	Male O Ring



DME&JDE Code:	DAOF59305
Product Type	Hydraulic adaptor
Standard:	ORFS
Structure:	90° Elbow
Connection Type:	Male x Male
Thread Types:	ORFS UNF x SAE UNF
Sealing Method:	O Ring



PART NUMBER	F1 (Thread)	F2 (Thread)	L1	L2	D1	D2	S	S1	Hex
#	UNF	UNF	mm	mm	mm	mm	-	-	-
DAOF59305-0402	9/16"-18	5/16"-24	21.59	26.84	4.37	1.57	14 mm	11 mm	Metric
DAOF59305-0403	9/16"-18	3/8"-24	21.59	29.80	4.37	3.18	14 mm	14 mm	Metric
DAOF59305-0404	9/16"-18	7/16"-20	21.50	32.70	4.37	4.37	14 mm	17 mm	Metric
DAOF59305-0405	9/16"-18	1/2"-20	21.60	32.80	4.37	6.00	14 mm	17 mm	Metric
DAOF59305-0406	9/16"-18	9/16"-18	23.37	36.83	4.37	6.71	19 mm	19 mm	Metric
DAOF59305-0408	9/16"-18	3/4"-16	24.60	40.60	4.37	9.60	19 mm	24 mm	Metric
DAOF59305-0402IN	9/16"-18	5/16"-24	21.59	26.84	4.37	1.57	9/16"	7/16"	Imperial
DAOF59305-0403IN	9/16"-18	3/8"-24	21.59	29.80	4.37	3.18	9/16"	9/16"	Imperial
DAOF59305-0404IN	9/16"-18	7/16"-20	21.50	32.70	4.37	4.37	9/16"	5/8"	Imperial
DAOF59305-0405IN	9/16"-18	1/2"-20	21.60	32.80	4.37	6.00	9/16"	5/8"	Imperial
DAOF59305-0406IN	9/16"-18	9/16"-18	23.37	36.83	4.37	6.71	3/4"	3/4"	Imperial
DAOF59305-0408IN	9/16"-18	3/4"-16	24.60	40.60	4.37	9.60	3/4"	15/16"	Imperial
DAOF59305-0602	11/16"-16	5/16"-24	25.00	30.40	6.71	1.57	19 mm	11 mm	Metric
DAOF59305-0604	11/16"-16	7/16"-20	25.00	35.00	6.50	4.50	19 mm	17 mm	Metric
DAOF59305-0606	11/16"-16	9/16"-18	24.90	36.80	6.71	6.71	19 mm	19 mm	Metric
DAOF59305-0608	11/16"-16	3/4"-16	26.50	40.60	6.50	10.00	19 mm	24 mm	Metric
DAOF59305-0610	11/16"-16	7/8"-14	30.00	50.00	6.50	12.50	27 mm	27 mm	Metric
DAOF59305-0612	11/16"-16	1-1/16"-12	31.80	55.10	6.71	15.47	30 mm	36 mm	Metric
DAOF59305-0616	11/16"-16	1-5/16"-12	35.60	59.70	6.71	20.60	36 mm	41 mm	Metric
DAOF59305-0602IN	11/16"-16	5/16"-24	25.00	30.40	6.71	1.57	3/4"	7/16"	Imperial
DAOF59305-0604IN	11/16"-16	7/16"-20	25.00	35.00	6.50	4.50	3/4"	5/8"	Imperial
DAOF59305-0606IN	11/16"-16	9/16"-18	24.90	36.80	6.71	6.71	3/4"	3/4"	Imperial
DAOF59305-0608IN	11/16"-16	3/4"-16	26.50	40.60	6.50	10.00	3/4"	15/16"	Imperial
DAOF59305-0610IN	11/16"-16	7/8"-14	30.00	50.00	6.50	12.50	1-1/16"	1-1/16"	Imperial
DAOF59305-0612IN	11/16"-16	1-1/16"-12	31.80	55.10	6.71	15.47	1-3/16"	1-3/8"	Imperial
DAOF59305-0616IN	11/16"-16	1-5/16"-12	35.60	59.70	6.71	20.60	1-7/16"	1-5/8"	Imperial
DAOF59305-0804	13/16"-16	7/16"-20	28.00	35.00	9.50	4.50	19 mm	17 mm	Metric



DAOF59305-0806	13/16"-16	9/16"-18	28.00	36.60	9.60	6.71	19 mm	19 mm	Metric
DAOF59305-0808	13/16"-16	3/4"-16	28.00	40.60	9.60	9.60	19 mm	24 mm	Metric
DAOF59305-0810	13/16"-16	7/8"-14	31.50	50.00	9.60	12.50	27 mm	27 mm	Metric
DAOF59305-0812	13/16"-16	1-1/16"-12	34.00	55.00	9.60	15.47	30 mm	36 mm	Metric
DAOF59305-0804IN	13/16"-16	7/16"-20	28.00	35.00	9.50	4.50	3/4"	5/8"	Imperial
DAOF59305-0806IN	13/16"-16	9/16"-18	28.00	36.60	9.60	6.71	3/4"	3/4"	Imperial
DAOF59305-0808IN	13/16"-16	3/4"-16	28.00	40.60	9.60	9.60	3/4"	15/16"	Imperial
DAOF59305-0810IN	13/16"-16	7/8"-14	31.50	50.00	9.60	12.50	1-1/16"	1-1/16"	Imperial
DAOF59305-0812IN	13/16"-16	1-1/16"-12	34.00	55.00	9.60	15.47	1-3/16"	1-3/8"	Imperial
DAOF59305-1008	1"-14	3/4"-16	33.50	46.00	12.50	10.00	27 mm	24 mm	Metric
DAOF59305-1010	1"-14	7/8"-14	33.30	50.00	12.29	12.29	27 mm	27 mm	Metric
DAOF59305-1012	1"-14	1-1/16"-12	35.80	55.10	12.29	15.47	30 mm	36 mm	Metric
DAOF59305-1008IN	1"-14	3/4"-16	33.50	46.00	12.50	10.00	1-1/16"	15/16"	Imperial
DAOF59305-1010IN	1"-14	7/8"-14	33.30	50.00	12.29	12.29	1-1/16"	1-1/16"	Imperial
DAOF59305-1012IN	1"-14	1-1/16"-12	35.80	55.10	12.29	15.47	1-3/16"	1-3/8"	Imperial
DAOF59305-1208	1-3/16"-12	3/4"-16	37.50	46.50	15.50	10.00	30 mm	24 mm	Metric
DAOF59305-1210	1-3/16"-12	7/8"-14	37.50	50.90	15.50	12.50	30 mm	27 mm	Metric
DAOF59305-1212	1-3/16"-12	1-1/16"-12	37.50	55.00	15.50	15.50	30 mm	36 mm	Metric
DAOF59305-1216	1-3/16"-12	1-5/16"-12	41.00	59.70	15.47	21.50	36 mm	41 mm	Metric
DAOF59305-1220	1-3/16"-12	1-5/8"-12	44.20	62.20	15.47	26.01	41 mm	50 mm	Metric
DAOF59305-1208IN	1-3/16"-12	3/4"-16	37.50	46.50	15.50	10.00	1-3/16"	15/16"	Imperial
DAOF59305-1210IN	1-3/16"-12	7/8"-14	37.50	50.90	15.50	12.50	1-3/16"	1-1/16"	Imperial
DAOF59305-1212IN	1-3/16"-12	1-1/16"-12	37.50	55.00	15.50	15.50	1-3/16"	1-3/8"	Imperial
DAOF59305-1216IN	1-3/16"-12	1-5/16"-12	41.00	59.70	15.47	21.50	1-7/16"	1-5/8"	Imperial
DAOF59305-1220IN	1-3/16"-12	1-5/8"-12	44.20	62.20	15.47	26.01	1-5/8"	1-7/8"	Imperial
DAOF59305-1610	1-7/16"-12	7/8"-14	41.50	54.60	20.50	12.50	36 mm	27 mm	Metric
DAOF59305-1612	1-7/16"-12	1-1/16"-12	41.70	58.90	20.60	15.47	36 mm	36 mm	Metric
DAOF59305-1614	1-7/16"-12	1-3/16"-12	41.66	58.93	20.60	18.00	36 mm	41 mm	Metric
DAOF59305-1616	1-7/16"-12	1-5/16"-12	41.70	59.70	20.60	20.60	36 mm	41 mm	Metric
DAOF59305-1620	1-7/16"-12	1-5/8"-12	44.70	62.20	20.50	27.50	41 mm	50 mm	Metric
DAOF59305-1624	1-7/16"-12	1-7/8"-12	48.80	65.80	20.60	32.00	50 mm	55 mm	Metric
DAOF59305-1610IN	1-7/16"-12	7/8"-14	41.50	54.60	20.50	12.50	1-7/16"	1-1/16"	Imperial
DAOF59305-1612IN	1-7/16"-12	1-1/16"-12	41.70	58.90	20.60	15.47	1-7/16"	1-3/8"	Imperial
DAOF59305-1614IN	1-7/16"-12	1-3/16"-12	41.66	58.93	20.60	18.00	1-7/16"	1-1/2"	Imperial
DAOF59305-1616IN	1-7/16"-12	1-5/16"-12	41.70	59.70	20.60	20.60	1-7/16"	1-5/8"	Imperial
DAOF59305-1620IN	1-7/16"-12	1-5/8"-12	44.70	62.20	20.50	27.50	1-5/8"	1-7/8"	Imperial
DAOF59305-1624IN	1-7/16"-12	1-7/8"-12	48.80	65.80	20.60	32.00	1-7/8"	2-1/8"	Imperial
DAOF59305-2012	1-11/16"-12	1-1/16"-12	44.70	61.10	26.00	15.47	41 mm	36 mm	Metric
DAOF59305-2016	1-11/16"-12	1-5/16"-12	44.70	62.20	26.00	21.50	41 mm	41 mm	Metric
DAOF59305-2020	1-11/16"-12	1-5/8"-12	44.50	62.00	26.00	27.50	41 mm	50 mm	Metric
DAOF59305-2024	1-11/16"-12	1-7/8"-12	48.80	65.80	26.00	32.00	50 mm	55 mm	Metric
DAOF59305-2012IN	1-11/16"-12	1-1/16"-12	44.70	61.10	26.00	15.47	1-5/8"	1-3/8"	Imperial
DAOF59305-2016IN	1-11/16"-12	1-5/16"-12	44.70	62.20	26.00	21.50	1-5/8"	1-5/8"	Imperial
DAOF59305-2020IN	1-11/16"-12	1-5/8"-12	44.50	62.00	26.00	27.50	1-5/8"	1-7/8"	Imperial
DAOF59305-2024IN	1-11/16"-12	1-7/8"-12	48.80	65.80	26.00	32.00	1-7/8"	2-1/8"	Imperial
DAOF59305-2420	2"-12	1-5/8"-12	49.00	66.00	32.00	27.50	50 mm	50 mm	Metric
DAOF59305-2424	2"-12	1-7/8"-12	49.00	66.00	32.00	33.50	50 mm	55 mm	Metric
DAOF59305-2420IN	2"-12	1-5/8"-12	49.00	66.00	32.00	27.50	1-7/8"	1-7/8"	Imperial
DAOF59305-2424IN	2"-12	1-7/8"-12	49.00	66.00	32.00	33.50	1-7/8"	2-1/8"	Imperial

DAOF5906Q

90° Adjustable Elbow ORFS Male - BSPP Male + O Ring + Retaining Ring

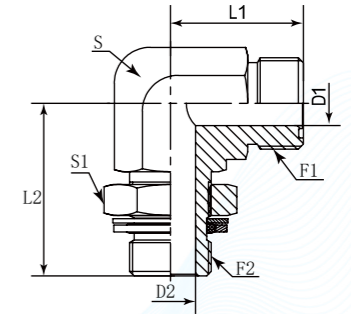
D	A	OF	5	9	06	Q
Company	Product Range	Thread Types	Connection Type	Adaptor Structure	Thread Types	Connection Type
DME	Adaptor	ORFS UNF	Male	90° Elbow	BSPP	Male + O Ring + Retaining Ring

German Technology Equipment

SHIELD FLEX

New-Standard

- DME&JDE Code:** DAOF5906Q
- Product Type:** Hydraulic adaptor
- Standard:** ORFS
- Structure:** 90° Elbow
- Connection Type:** Adjustable Male x Male
- Thread Types:** UNF x BSPP
- Sealing Method:** O Ring + Retaining Ring



PART NUMBER	F1 (Thread)	F2 (Thread)	C1	C2	D1	D2	L	S
#	UNF	BSPP	mm	mm	mm	mm	mm	mm
DAOF5906Q-0402	9/16"-18	1/8"-28	21.50	30.00	4.37	4.40	14.00	14.00
DAOF5906Q-0404	9/16"-18	1/4"-19	23.50	35.00	4.37	7.50	14.00	19.00
DAOF5906Q-0406	9/16"-18	3/8"-19	25.00	38.00	4.37	9.90	19.00	22.00
DAOF5906Q-0604	11/16"-16	1/4"-19	25.00	36.00	6.71	7.50	19.00	19.00
DAOF5906Q-0606	11/16"-16	3/8"-19	26.50	38.00	6.71	9.90	19.00	22.00
DAOF5906Q-0608	11/16"-16	1/2"-14	29.50	48.00	6.71	12.30	22.00	27.00
DAOF5906Q-0804	13/16"-16	1/4"-19	28.00	35.00	9.60	7.50	19.00	19.00
DAOF5906Q-0806	13/16"-16	3/8"-19	28.00	36.50	9.60	9.90	19.00	22.00
DAOF5906Q-0808	13/16"-16	1/2"-14	31.00	48.00	9.60	12.30	27.00	27.00
DAOF5906Q-0812	13/16"-16	3/4"-14	30.70	49.00	9.60	15.50	27.00	36.00
DAOF5906Q-1006	1"-14	3/8"-19	35.50	43.00	12.29	9.90	27.00	22.00
DAOF5906Q-1008	1"-14	1/2"-14	33.50	48.00	12.29	12.30	27.00	27.00
DAOF5906Q-1010	1"-14	5/8"-14	37.00	48.00	12.29	14.00	27.00	32.00
DAOF5906Q-1012	1"-14	3/4"-14	36.00	51.50	12.29	15.50	30.00	36.00
DAOF5906Q-1208	1-3/16"-12	1/2"-14	37.50	49.00	15.47	12.30	30.00	27.00
DAOF5906Q-1212	1-3/16"-12	3/4"-14	37.50	51.50	15.47	15.50	30.00	36.00
DAOF5906Q-1216	1-3/16"-12	1"-11	41.50	58.00	15.47	21.50	36.00	41.00
DAOF5906Q-1612	1-7/16"-12	3/4"-14	42.00	57.50	20.60	15.50	36.00	36.00
DAOF5906Q-1616	1-7/16"-12	1"-11	42.00	58.00	20.60	21.50	36.00	41.00
DAOF5906Q-1620	1-7/16"-12	1-1/4"-11	44.50	60.50	20.60	27.50	41.00	50.00
DAOF5906Q-2016	1-11/16"-12	1"-11	44.70	60.50	26.00	21.50	41.00	41.00
DAOF5906Q-2020	1-11/16"-12	1-1/4"-11	44.70	60.50	26.00	27.50	41.00	50.00
DAOF5906Q-2024	1-11/16"-12	1-1/2"-11	49.00	64.50	26.00	33.00	48.00	55.00
DAOF5906Q-2424	2"-12	1-1/2"-11	49.00	64.50	32.00	33.00	48.00	55.00

DAOF59065

90° Adjustable Elbow ORFS Male - BSPP Male + O Ring

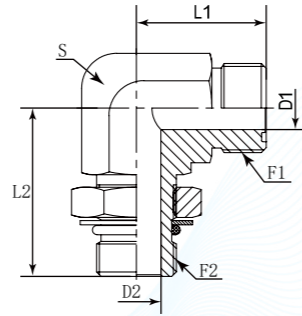
D	A	OF	5	9	06	5
Company	Product Range	Thread Types	Connection Type	Adaptor Structure	Thread Types	Connection Type
DME	Adaptor	ORFS UNF	Male	90° Elbow	BSPP	Male + O Ring

German Technology Equipment

SHIELD FLEX

New-Standard

- DME&JDE Code:** DAOF59065
- Product Type:** Hydraulic adaptor
- Standard:** ORFS
- Structure:** 90° Elbow
- Connection Type:** Adjustable Male x Male
- Thread Types:** UNF x BSPP + O Ring
- Sealing Method:** O Ring



PART NUMBER	F1 (Thread)	F2 (Thread)	L1	L2	D1	D2	S	S1
#	UNF	BSPP	mm	mm	mm	mm	mm	mm
DAOF59065-0402	9/16"-18	1/8"-28	21.50	30.00	4.37	4.40	14.00	14.00
DAOF59065-0404	9/16"-18	1/4"-19	23.50	35.00	4.37	7.50	14.00	19.00
DAOF59065-0406	9/16"-18	3/8"-19	25.00	38.00	4.37	9.90	19.00	22.00
DAOF59065-0604	11/16"-16	1/4"-19	25.00	36.00	6.71	7.50	19.00	19.00
DAOF59065-0606	11/16"-16	3/8"-19	26.50	38.00	6.71	9.90	19.00	22.00
DAOF59065-0608	11/16"-16	1/2"-14	29.50	48.00	6.71	12.30	22.00	27.00
DAOF59065-0804	13/16"-16	1/4"-19	28.00	35.00	9.60	7.50	19.00	19.00
DAOF59065-0806	13/16"-16	3/8"-19	28.00	36.50	9.60	9.90	19.00	22.00
DAOF59065-0808	13/16"-16	1/2"-14	31.00	48.00	9.60	12.30	27.00	27.00
DAOF59065-0812	13/16"-16	3/4"-14	30.70	49.00	9.60	15.50	27.00	36.00
DAOF59065-1006	1"-14	3/8"-19	35.50	43.00	12.29	9.90	27.00	22.00
DAOF59065-1008	1"-14	1/2"-14	33.50	48.00	12.29	12.30	27.00	27.00
DAOF59065-1010	1"-14	5/8"-14	37.00	48.00	12.29	14.00	27.00	32.00
DAOF59065-1012	1"-14	3/4"-14	36.00	51.50	12.29	15.50	30.00	36.00
DAOF59065-1208	1-3/16"-12	1/2"-14	37.50	49.00	15.47	12.30	30.00	27.00
DAOF59065-1212	1-3/16"-12	3/4"-14	37.50	51.50	15.47	15.50	30.00	36.00
DAOF59065-1216	1-3/16"-12	1"-11	41.50	58.00	15.47	21.50	36.00	41.00
DAOF59065-1612	1-7/16"-12	3/4"-14	42.00	57.50	20.60	15.50	36.00	36.00
DAOF59065-1616	1-7/16"-12	1"-11	42.00	58.00	20.60	21.50	36.00	41.00
DAOF59065-1620	1-7/16"-12	1-1/4"-11	44.50	60.50	20.60	27.50	41.00	50.00
DAOF59065-2016	1-11/16"-12	1"-11	44.70	60.50	26.00	21.50	41.00	41.00
DAOF59065-2020	1-11/16"-12	1-1/4"-11	44.70	60.50	26.00	27.50	41.00	50.00
DAOF59065-2024	1-11/16"-12	1-1/2"-11	49.00	64.50	26.00	33.00	48.00	55.00
DAOF59065-2424	2"-12	1-1/2"-11	49.00	64.50	32.00	33.00	48.00	55.00



DAOF5952Q

90° Adjustable Elbow ORFS Male - Metric Male + O Ring + Retaining Ring

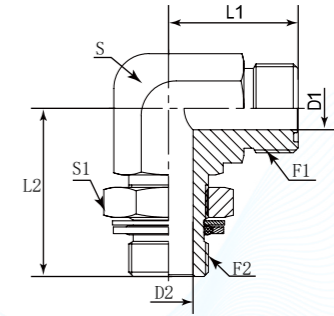
D	A	OF	5	9	52	Q
Company	Product Range	Thread Types	Connection Type	Adaptor Structure	Thread Types	Connection Type
DME	Adaptor	ORFS UNF	Male	90° Elbow	Metric	Male + O Ring + Retaining Ring

German Technology Equipment

SHIELD FLEX

New-Standard

- DME&JDE Code:** DAOF5952Q
- Product Type:** Hydraulic adaptor
- Standard:** ORFS
- Structure:** 90° Elbow
- Connection Type:** Adjustable Male x Male
- Thread Types:** UNF x Metric
- Sealing Method:** O Ring + Retaining Ring



PART NUMBER	F1 (Thread)	F2 (Thread)	L1	L2	D1	D2	S	S1
#	UNF	Metric	mm	mm	mm	mm	mm	mm
DAOF5952Q-0410	9/16"-18	M10X1	21.50	32.50	4.37	3.00	14.00	14.00
DAOF5952Q-0412	9/16"-18	M12X1.5	21.50	32.50	4.37	4.00	14.00	17.00
DAOF5952Q-0614	11/16"-16	M14X1.5	25.00	36.00	6.71	6.00	19.00	19.00
DAOF5952Q-0616	11/16"-16	M16X1.5	25.00	37.00	6.71	7.00	19.00	22.00
DAOF5952Q-0618	11/16"-16	M18X1.5	25.00	40.00	6.71	9.00	19.00	24.00
DAOF5952Q-0622	11/16"-16	M22X1.5	29.90	49.00	6.71	12.00	27.00	27.00
DAOF5952Q-0816	13/16"-16	M16X1.5	28.00	37.00	9.60	7.00	19.00	22.00
DAOF5952Q-0818	13/16"-16	M18X1.5	28.00	41.00	9.60	9.00	19.00	24.00
DAOF5952Q-0822	13/16"-16	M22X1.5	31.50	49.00	9.60	12.00	27.00	27.00
DAOF5952Q-1018	1"-14	M18X1.5	33.50	48.00	12.29	9.00	27.00	24.00
DAOF5952Q-1022	1"-14	M22X1.5	33.50	49.00	12.29	12.00	27.00	27.00
DAOF5952Q-1227	1-3/16"-12	M27X2	37.50	55.50	15.47	15.00	30.00	32.00
DAOF5952Q-1233	1-3/16"-12	M33X2	41.50	60.00	15.50	20.00	36.00	41.00
DAOF5952Q-1627	1-7/16"-12	M27X2	41.50	59.50	20.50	15.00	36.00	32.00
DAOF5952Q-1633	1-7/16"-12	M33X2	42.00	60.00	20.60	20.00	36.00	41.00
DAOF5952Q-2033	1-11/16"-12	M33X2	44.70	62.50	26.00	20.00	41.00	41.00
DAOF5952Q-2042	1-11/16"-12	M42X2	44.50	63.00	26.00	26.00	41.00	50.00
DAOF5952Q-2448	2"-12	M48X2	47.90	66.00	32.00	32.00	48.00	55.00



DAOF59525

90° Adjustable Elbow ORFS Male - Metric Male + O Ring

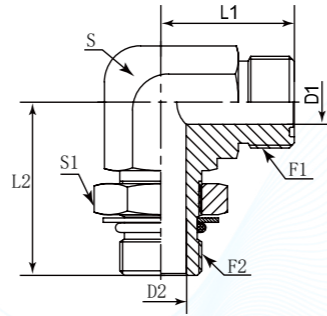
D	A	OF	5	9	52	5
Company	Product Range	Thread Types	Connection Type	Adaptor Structure	Thread Types	Connection Type
DME	Adaptor	ORFS UNF	Male	90° Elbow	Metric	Male + O Ring

German Technology Equipment

SHIELD FLEX

New-Standard

- DME&JDE Code:** DAOF59525
- Product Type:** Hydraulic adaptor
- Standard:** ORFS
- Structure:** 90° Elbow
- Connection Type:** Adjustable Male x Male
- Thread Types:** UNF x Metric + O Ring
- Sealing Method:** O Ring



PART NUMBER	F1 (Thread)	F2 (Thread)	L1	L2	D1	D2	S	S1
#	UNF	Metric	mm	mm	mm	mm	mm	mm
DAOF59525-0410	9/16"-18	M10X1	21.50	32.50	4.37	3.00	14.00	14.00
DAOF59525-0412	9/16"-18	M12X1.5	21.50	32.50	4.37	4.00	14.00	17.00
DAOF59525-0614	11/16"-16	M14X1.5	25.00	36.00	6.71	6.00	19.00	19.00
DAOF59525-0616	11/16"-16	M16X1.5	25.00	37.00	6.71	7.00	19.00	22.00
DAOF59525-0618	11/16"-16	M18X1.5	25.00	40.00	6.71	9.00	19.00	24.00
DAOF59525-0622	11/16"-16	M22X1.5	29.90	49.00	6.71	12.00	27.00	27.00
DAOF59525-0816	13/16"-16	M16X1.5	28.00	37.00	9.60	7.00	19.00	22.00
DAOF59525-0818	13/16"-16	M18X1.5	28.00	41.00	9.60	9.00	19.00	24.00
DAOF59525-0822	13/16"-16	M22X1.5	31.50	49.00	9.60	12.00	27.00	27.00
DAOF59525-1018	1"-14	M18X1.5	33.50	48.00	12.29	9.00	27.00	24.00
DAOF59525-1022	1"-14	M22X1.5	33.50	49.00	12.29	12.00	27.00	27.00
DAOF59525-1227	1-3/16"-12	M27X2	37.50	55.50	15.47	15.00	30.00	32.00
DAOF59525-1233	1-3/16"-12	M33X2	41.50	60.00	15.50	20.00	36.00	41.00
DAOF59525-1627	1-7/16"-12	M27X2	41.50	59.50	20.50	15.00	36.00	32.00
DAOF59525-1633	1-7/16"-12	M33X2	42.00	60.00	20.60	20.00	36.00	41.00
DAOF59525-2033	1-11/16"-12	M33X2	44.70	62.50	26.00	20.00	41.00	41.00
DAOF59525-2042	1-11/16"-12	M42X2	44.50	63.00	26.00	26.00	41.00	50.00
DAOF59525-2448	2"-12	M48X2	47.90	66.00	32.00	32.00	48.00	55.00

DAOF5928M

90° Elbow Connector ORFS Male - NPTF Male 60°

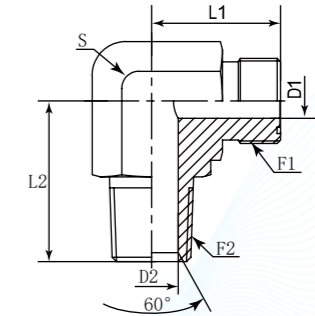
D	A	OF	5	9	28	M
Company	Product Range	Thread Types	Connection Type	Adaptor Structure	Thread Types	Connection Type
DME	Adaptor	ORFS UNF	Male	90° Elbow	NPTF	Male

German Technology Equipment

SHIELD FLEX

New-Standard

- DME&JDE Code:** DAOF5928M
- Product Type:** Hydraulic adaptor
- Standard:** ORFS
- Structure:** 90° Elbow
- Connection Type:** Male x Male
- Thread Types:** UNF x NPTF 60°



PART NUMBER	F1 (Thread)	F2 (Thread)	L1	L2	D1	D2	S	Hex
#	UNF	NPTF	mm	mm	mm	mm	-	-
DAOF5928M-0402	9/16"-18	1/8"-27	21.60	19.80	4.37	4.78	14 mm	Metric
DAOF5928M-0404	9/16"-18	1/4"-18	21.60	28.50	4.37	7.14	14 mm	Metric
DAOF5928M-0406	9/16"-18	3/8"-18	24.60	31.00	4.37	10.31	19 mm	Metric
DAOF5928M-0408	9/16"-18	1/2"-14	27.70	37.30	4.37	13.49	22 mm	Metric
DAOF5928M-0402IN	9/16"-18	1/8"-27	21.60	19.80	4.37	4.78	9/16"	Imperial
DAOF5928M-0404IN	9/16"-18	1/4"-18	21.60	28.50	4.37	7.14	9/16"	Imperial
DAOF5928M-0406IN	9/16"-18	3/8"-18	24.60	31.00	4.37	10.31	3/4"	Imperial
DAOF5928M-0408IN	9/16"-18	1/2"-14	27.70	37.30	4.37	13.49	7/8"	Imperial
DAOF5928M-0602	11/16"-16	1/8"-27	24.90	22.86	6.71	4.78	19 mm	Metric
DAOF5928M-0604	11/16"-16	1/4"-18	24.90	27.70	6.71	7.14	19 mm	Metric
DAOF5928M-0606	11/16"-16	3/8"-18	24.90	31.00	6.71	10.31	19 mm	Metric
DAOF5928M-0608	11/16"-16	1/2"-14	29.21	37.34	6.71	13.49	22 mm	Metric
DAOF5928M-0612	11/16"-16	3/4"-14	33.50	40.40	6.71	18.26	27 mm	Metric
DAOF5928M-0602IN	11/16"-16	1/8"-27	24.90	22.86	6.71	4.78	3/4"	Imperial
DAOF5928M-0604IN	11/16"-16	1/4"-18	24.90	27.70	6.71	7.14	3/4"	Imperial
DAOF5928M-0606IN	11/16"-16	3/8"-18	24.90	31.00	6.71	10.31	3/4"	Imperial
DAOF5928M-0608IN	11/16"-16	1/2"-14	29.21	37.34	6.71	13.49	7/8"	Imperial

Certificate:



DAOF5928M-0612IN	11/16"-16	3/4"-14	33.50	40.40	6.71	18.26	1-1/16"	Imperial
DAOF5928M-0804	13/16"-16	1/4"-18	27.90	31.00	9.60	7.14	19 mm	Metric
DAOF5928M-0806	13/16"-16	3/8"-18	27.90	31.00	9.60	10.31	19 mm	Metric
DAOF5928M-0808	13/16"-16	1/2"-14	27.97	37.30	9.60	13.49	19 mm	Metric
DAOF5928M-0812	13/16"-16	3/4"-14	33.50	40.40	9.60	18.26	22 mm	Metric
DAOF5928M-0804IN	13/16"-16	1/4"-18	27.90	31.00	9.60	7.14	27 mm	Metric
DAOF5928M-0806IN	13/16"-16	3/8"-18	27.90	31.00	9.60	10.31	3/4"	Imperial
DAOF5928M-0808IN	13/16"-16	1/2"-14	27.97	37.30	9.60	13.49	7/8"	Imperial
DAOF5928M-0812IN	13/16"-16	3/4"-14	33.50	40.40	9.60	18.26	1-1/16"	Imperial
DAOF5928M-1008	1"-14	1/2"-14	33.30	37.30	12.29	13.49	27 mm	Metric
DAOF5928M-1012	1"-14	3/4"-14	35.80	40.40	12.29	18.26	27 mm	Metric
DAOF5928M-1016	1"-14	1"-11-1/2	39.60	50.00	12.29	23.83	33 mm	Metric
DAOF5928M-1008IN	1"-14	1/2"-14	33.30	37.30	12.29	13.49	1-1/16"	Imperial
DAOF5928M-1012IN	1"-14	3/4"-14	35.80	40.40	12.29	18.26	1-1/16"	Imperial
DAOF5928M-1016IN	1"-14	1"-11-1/2	39.60	50.00	12.29	23.83	1-5/16"	Imperial
DAOF5928M-1206	1-3/16"-12	3/8"-18	37.30	37.50	15.47	10.31	30 mm	Metric
DAOF5928M-1208	1-3/16"-12	1/2"-14	37.30	40.40	15.47	13.49	30 mm	Metric
DAOF5928M-1212	1-3/16"-12	3/4"-14	37.30	40.40	15.47	18.26	30 mm	Metric
DAOF5928M-1216	1-3/16"-12	1"-11-1/2	41.20	50.00	15.47	23.83	33 mm	Metric
DAOF5928M-1206IN	1-3/16"-12	3/8"-18	37.30	37.50	15.47	10.31	1-3/16"	Imperial
DAOF5928M-1208IN	1-3/16"-12	1/2"-14	37.30	40.40	15.47	13.49	1-3/16"	Imperial
DAOF5928M-1212IN	1-3/16"-12	3/4"-14	37.30	40.40	15.47	18.26	1-3/16"	Imperial
DAOF5928M-1216IN	1-3/16"-12	1"-11-1/2	41.20	50.00	15.47	23.83	1-5/16"	Imperial
DAOF5928M-1616	1-7/16"-12	1"-11-1/2	41.70	50.00	20.60	23.83	36 mm	Metric
DAOF5928M-1616IN	1-7/16"-12	1"-11-1/2	41.70	50.00	20.60	23.83	1-7/16"	Imperial
DAOF5928M-2016	1-11/16"-12	1"-11-1/2	44.70	59.70	26.00	23.83	41 mm	Metric
DAOF5928M-2020	1-11/16"-12	1-1/4"-11-1/2	44.70	60.50	26.00	31.75	41 mm	Metric
DAOF5928M-2016IN	1-11/16"-12	1"-11-1/2	44.70	59.70	26.00	23.83	1-5/8"	Imperial
DAOF5928M-2020IN	1-11/16"-12	1-1/4"-11-1/2	44.70	60.50	26.00	31.75	1-5/8"	Imperial
DAOF5928M-2424	2"-12	1-1/2"-11-1/2	48.80	67.00	32.00	38.10	50 mm	Metric
DAOF5928M-2424IN	2"-12	1-1/2"-11-1/2	48.80	67.00	32.00	38.10	1-7/8"	Imperial



DAOF5907M

90° Elbow Connector ORFS Male - BSPT Male

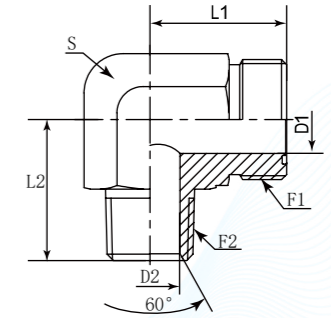
D	A	OF	5	9	07	M
Company	Product Range	Thread Types	Connection Type	Adaptor Structure	Thread Types	Connection Type
DME	Adaptor	ORFS UNF	Male	90° Elbow	BSPT	Male

German Technology Equipment

SHIELD FLEX

New-Standard

- DME&JDE Code:** DAOF5907M
- Product Type:** Hydraulic adaptor
- Standard:** ORFS
- Structure:** 90° Elbow
- Connection Type:** Male x Male
- Thread Types:** UNF x BSPT



PART NUMBER	F1 (Thread)	F2 (Thread)	D1	D2	L1	L2	S
#	UNF	BSPT	mm	mm	mm	mm	mm
DAOF5907M-0404	9/16"-18	1/4"-19	4.37	6.00	23.50	27.70	14.00
DAOF5907M-0606	11/16"-16	3/8"-19	6.71	9.00	26.50	31.00	19.00
DAOF5907M-0808	13/16"-16	1/2"-14	9.60	12.00	31.00	37.50	22.00
DAOF5907M-1010	1"-14	5/8"-14	12.29	14.00	37.00	39.00	27.00
DAOF5907M-1212	1-3/16"-12	3/4"-14	15.47	16.70	37.50	42.00	30.00
DAOF5907M-1616	1-7/16"-12	1"-11	20.60	22.20	42.00	50.00	36.00
DAOF5907M-2020	1-11/16"-12	1-1/4"-11	26.00	28.60	49.00	60.50	48.00
DAOF5907M-2424	2"-12	1-1/2"-11	32.00	33.30	49.00	67.10	48.00



DAOF5924T

90° Elbow Bulkhead Connector ORFS Male - ORFS Male

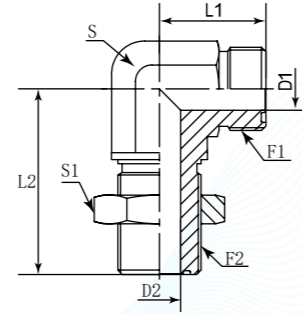
D	A	OF	5	9	24	T
Company	Product Range	Thread Types	Connection Type	Adaptor Structure	Thread Types	Connection Type
DME	Adaptor	ORFS UNF	Male	90° Elbow	ORFS UNF	Bulkhead Male

German Technology Equipment

SHIELD FLEX

New-Standard

- DME&JDE Code:** DAOF5924T
- Product Type:** Hydraulic adaptor
- Standard:** ORFS
- Structure:** 90° Elbow
- Connection Type:** Male x Male
- Thread Types:** UNF x UNF
- Other Features:** Bulkhead



PART NUMBER	F1 (Thread)	F2 (Thread)	L1	L2	D1	D2	S	S1	Hex
#	UNF	UNF	mm	mm	mm	mm	-	-	-
DAOF5924T-0404	9/16"-18	9/16"-18	22.60	47.00	4.37	4.37	14 mm	22 mm	Metric
DAOF5924T-0404IN	9/16"-18	9/16"-18	22.60	47.00	4.37	4.37	9/16"	13/16"	Imperial
DAOF5924T-0606	11/16"-16	11/16"-16	26.00	52.00	6.50	6.50	19 mm	27 mm	Metric
DAOF5924T-0606IN	11/16"-16	11/16"-16	26.00	52.00	6.50	6.50	3/4"	1"	Imperial
DAOF5924T-0808	13/16"-16	13/16"-16	29.00	55.40	9.60	9.60	19 mm	30 mm	Metric
DAOF5924T-0808IN	13/16"-16	13/16"-16	29.00	55.40	9.60	9.60	3/4"	1-1/8"	Imperial
DAOF5924T-1010	1"-14	1"-14	34.50	63.00	12.50	12.50	27 mm	36 mm	Metric
DAOF5924T-1010IN	1"-14	1"-14	34.50	63.00	12.50	12.50	1-1/16"	1-5/16"	Imperial
DAOF5924T-1212	1-3/16"-12	1-3/16"-12	38.50	67.20	15.47	15.47	30 mm	41 mm	Metric
DAOF5924T-1212IN	1-3/16"-12	1-3/16"-12	38.50	67.20	15.47	15.47	1-3/16"	1-1/2"	Imperial
DAOF5924T-1616	1-7/16"-12	1-7/16"-12	42.40	71.10	20.60	20.60	36 mm	46 mm	Metric
DAOF5924T-1616IN	1-7/16"-12	1-7/16"-12	42.40	71.10	20.60	20.60	1-7/16"	1-3/4"	Imperial
DAOF5924T-2020	1-11/16"-12	1-11/16"-12	45.50	75.40	26.00	26.00	41 mm	50 mm	Metric
DAOF5924T-2020IN	1-11/16"-12	1-11/16"-12	45.50	75.40	26.00	26.00	1-5/8"	2"	Imperial
DAOF5924T-2424	2"-12	2"-12	49.50	79.50	32.00	32.00	50 mm	60 mm	Metric
DAOF5924T-2424IN	2"-12	2"-12	49.50	79.50	32.00	32.00	1-7/8"	2-3/8"	Imperial



DAOF19305

90° Adjustable Elbow ORFS Female Swivel - SAE Male O Ring

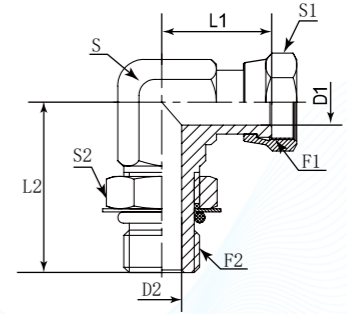
D	A	OF	1	9	30	5
Company	Product Range	Thread Types	Connection Type	Adaptor Structure	Thread Types	Connection Type
DME	Adaptor	ORFS UNF	Male	90° Elbow	SAE UNF	Male O Ring

German Technology Equipment

SHIELD FLEX

New-Standard

- DME&JDE Code:** DAOF19305
- Product Type:** Hydraulic adaptor
- Standard:** ORFS
- Structure:** 90° Elbow
- Connection Type:** Swivel Female x Adjustable Male
- Thread Types:** ORFS UNF x SAE UNF + O Ring
- Sealing Method:** O Ring



PART NUMBER	F1 (Thread)	F2 (Thread)	L1	L2	D1	D2	S	S1	S2	Hex
#	UNF	UNF	mm	mm	mm	mm	-	-	-	-
DAOF19305-0404	9/16"-18	7/16"-20	26.41	32.80	4.19	4.37	14 mm	17 mm	17 mm	Metric
DAOF19305-0406	9/16"-18	9/16"-18	28.90	36.80	4.19	6.71	19 mm	17 mm	19 mm	Metric
DAOF19305-0404IN	9/16"-18	7/16"-20	26.41	32.80	4.19	4.37	9/16"	11/16"	5/8"	Imperial
DAOF19305-0406IN	9/16"-18	9/16"-18	28.90	36.80	4.19	6.71	3/4"	11/16"	3/4"	Imperial
DAOF19305-0606	11/16"-16	9/16"-18	31.00	36.80	6.71	6.71	19 mm	22 mm	19 mm	Metric
DAOF19305-0606IN	11/16"-16	9/16"-18	31.00	36.80	6.71	6.71	3/4"	13/16"	3/4"	Imperial
DAOF19305-0808	13/16"-16	3/4"-16	38.00	40.50	9.09	9.60	19 mm	24 mm	24 mm	Metric
DAOF19305-0808IN	13/16"-16	3/4"-16	38.00	40.50	9.09	9.60	3/4"	15/16"	15/16"	Imperial
DAOF19305-1010	1"-14	7/8"-14	41.20	50.00	11.51	12.50	27 mm	30 mm	27 mm	Metric
DAOF19305-1010IN	1"-14	7/8"-14	41.20	50.00	11.51	12.50	1-1/16"	1-1/8"	1-1/16"	Imperial
DAOF19305-1212	1-3/16"-12	1-1/16"-12	46.50	55.00	14.00	15.47	30 mm	36 mm	36 mm	Metric
DAOF19305-1212IN	1-3/16"-12	1-1/16"-12	46.50	55.00	14.00	15.47	1-3/16"	1-3/8"	1-3/8"	Imperial
DAOF19305-1616	1-7/16"-12	1-5/16"-12	53.50	59.50	20.00	21.50	36 mm	41 mm	41 mm	Metric
DAOF19305-1616IN	1-7/16"-12	1-5/16"-12	53.50	59.50	20.00	21.50	1-7/16"	1-5/8"	1-5/8"	Imperial
DAOF19305-2020	1-11/16"-12	1-5/8"-12	58.17	62.20	26.01	26.01	41 mm	50 mm	50 mm	Metric
DAOF19305-2020IN	1-11/16"-12	1-5/8"-12	58.17	62.20	26.01	26.01	1-5/8"	1-7/8"	1-7/8"	Imperial
DAOF19305-2424	2"-12	1-7/8"-12	58.80	66.00	32.00	32.00	50 mm	60 mm	55 mm	Metric
DAOF19305-2424IN	2"-12	1-7/8"-12	58.80	66.00	32.00	32.00	1-7/8"	2-1/4"	2-1/8"	Imperial



DAOF1906Q

90° Adjustable Elbow ORFS Female Swivel - BSPP Male + O Ring + Retaining Ring

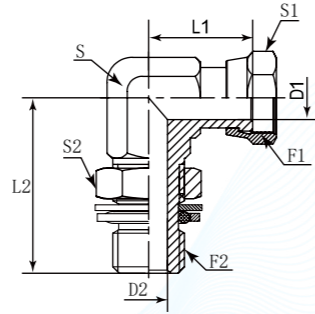
D	A	OF	1	9	06	0
Company	Product Range	Thread Types	Connection Type	Adaptor Structure	Thread Types	Connection Type
DME	Adaptor	ORFS UNF	Swivel Female	90° Elbow	BSPP	Male + O Ring + Retaining Ring

German Technology Equipment

SHIELD FLEX

New-Standard

- DME&JDE Code:** DAOF1906Q
- Product Type:** Hydraulic adaptor
- Standard:** ORFS
- Structure:** 90° Elbow
- Connection Type:** Swivel Female x Adjustable Male
- Thread Types:** UNF x BSPP
- Sealing Method:** O Ring + Retaining Ring



PART NUMBER	F1 (Thread)	F2 (Thread)	D1	D2	L1	L2	S	S1	S2
#	UNF	BSPP	mm	mm	mm	mm	mm	mm	mm
DAOF1906Q-0404	9/16"-18	1/4"-19	4.19	7.50	26.41	35.00	14.00	17.46	19.00
DAOF1906Q-0606	11/16"-16	3/8"-19	6.71	9.90	29.21	38.00	19.00	20.62	22.00
DAOF1906Q-0808	13/16"-16	1/2"-14	9.09	12.30	38.00	48.00	22.00	23.81	27.00
DAOF1906Q-1212	1-3/16"-12	3/4"-14	13.89	15.50	46.30	51.50	30.00	34.93	36.00
DAOF1906Q-1616	1-7/16"-12	1"-11	19.89	21.50	53.34	58.00	36.00	41.28	41.00
DAOF1906Q-2020	1-11/16"-12	1-1/4"-11	26.01	27.50	58.17	60.50	41.00	47.60	50.00
DAOF1906Q-2424	2"-12	1-1/2"-11	32.00	33.00	61.20	64.50	48.00	57.15	55.00



DAOF59251

90° Elbow ORFS Male - JIC Swivel Female 74°

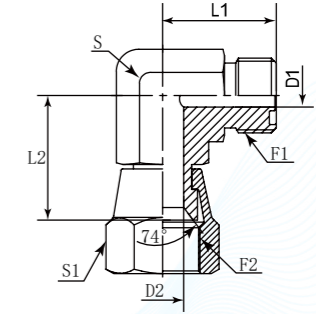
D	A	OF	5	9	251
Company	Product Range	Thread Types	Connection Type	Adaptor Structure	JIC Swivel Female
DME	Adaptor	ORFS UNF	Male	90° Elbow	JIC Swivel Female

German Technology Equipment

SHIELD FLEX

New-Standard

- DME&JDE Code:** DAOF59251
- Product Type:** Hydraulic adaptor
- Standard:** ORFS
- Structure:** 90° Elbow
- Connection Type:** Male x Swivel Female
- Thread Types:** ORFS UNF x JIC UNF 74°



PART NUMBER	F1 (Thread)	F2 (Thread)	D1	D2	L1	L2	S	S1	Hex
#	UNF	UNF	mm	mm	mm	mm	mm	mm	mm
DAOF59251-0404	9/16"-18	7/16"-20	4.37	4.37	21.50	22.00	14 mm	14 mm	Metric
DAOF59251-0404IN	9/16"-18	7/16"-20	4.37	4.37	21.50	22.00	9/16"	9/16"	Imperial
DAOF59251-0606	11/16"-16	9/16"-18	6.71	7.54	25.00	23.90	19 mm	19 mm	Metric
DAOF59251-0606IN	11/16"-16	9/16"-18	6.71	7.54	25.00	23.90	3/4"	5/8"	Imperial
DAOF59251-0808	13/16"-16	3/4"-16	9.60	9.93	28.00	24.50	19 mm	22 mm	Metric
DAOF59251-0808IN	13/16"-16	3/4"-16	9.60	9.93	28.00	24.50	3/4"	7/8"	Imperial
DAOF59251-1212	1-3/16"-12	1-1/16"-12	15.50	15.47	37.50	32.00	30 mm	32 mm	Metric
DAOF59251-1212IN	1-3/16"-12	1-1/16"-12	15.50	15.47	37.50	32.00	1-1/4"	1-1/4"	Imperial
DAOF59251-1616	1-7/16"-12	1-5/16"-12	20.50	21.44	41.70	36.50	36 mm	41 mm	Metric
DAOF59251-1616IN	1-7/16"-12	1-5/16"-12	20.50	21.44	41.70	36.50	1-3/8"	1-1/2"	Imperial
DAOF59251-2020	1-11/16"-12	1-5/8"-12	26.00	27.42	44.70	42.80	41 mm	50 mm	Metric
DAOF59251-2020IN	1-11/16"-12	1-5/8"-12	26.00	27.42	44.70	42.80	1-1/2"	2"	Imperial
DAOF59251-2424	2"-12	1-7/8"-12	32.00	33.32	48.80	47.14	48 mm	60 mm	Metric
DAOF59251-2424IN	2"-12	1-7/8"-12	32.00	33.32	48.80	47.14	1-7/8"	2-1/4"	Imperial



DAOF5930J

90° Adjustable Long Elbow ORFS Male - SAE Male O Ring

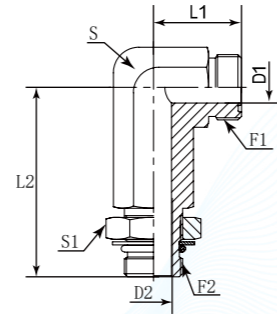
D	A	OF	5	9	30	J
Company	Product Range	Thread Types	Connection Type	Adaptor Structure	Thread Types	Connection Type
DME	Adaptor	ORFS UNF	Male	90° Elbow	SAE UNF	Male Long O Ring

German Technology Equipment

SHIELD FLEX

New-Standard

- DME&JDE Code: **DAOF5930J**
- Product Type: **Hydraulic adaptor**
- Standard: **ORFS**
- Structure: **90° Elbow**
- Connection Type: **Adjustable Male x Male**
- Thread Types: **ORFS UNF x SAE UNF**
- Sealing Method: **Long O Ring**



PART NUMBER	F1 (Thread)	F2 (Thread)	L1	L2	D1	D2	S	S1	Hex
#	UNF	UNF	mm	mm	mm	mm	-	-	-
DAOF5930J-0404	9/16"-18	7/16"-20	21.59	56.64	4.37	4.37	14 mm	17 mm	Metric
DAOF5930J-0404IN	9/16"-18	7/16"-20	21.59	56.64	4.37	4.37	9/16"	5/8"	Imperial
DAOF5930J-0606	11/16"-16	9/16"-18	25.00	66.30	6.71	6.71	19 mm	19 mm	Metric
DAOF5930J-0606IN	11/16"-16	9/16"-18	25.00	66.30	6.71	6.71	3/4"	3/4"	Imperial
DAOF5930J-0808	13/16"-16	3/4"-16	28.00	74.90	9.50	9.60	19 mm	24 mm	Metric
DAOF5930J-0808IN	13/16"-16	3/4"-16	28.00	74.90	9.50	9.60	3/4"	15/16"	Imperial
DAOF5930J-1010	1"-14	7/8"-14	33.30	89.20	12.29	12.29	27 mm	27 mm	Metric
DAOF5930J-1012	1"-14	1-1/16"-12	35.80	100.84	12.29	15.47	30 mm	36 mm	Metric
DAOF5930J-1010IN	1"-14	7/8"-14	33.30	89.20	12.29	12.29	1-1/16"	1-1/16"	Imperial
DAOF5930J-1012IN	1"-14	1-1/16"-12	35.80	100.84	12.29	15.47	1-3/16"	1-3/8"	Imperial
DAOF5930J-1212	1-3/16"-12	1-1/16"-12	37.30	100.84	15.47	15.47	30 mm	36 mm	Metric
DAOF5930J-1216	1-3/16"-12	1-5/16"-12	41.20	114.60	15.47	20.60	36 mm	41 mm	Metric
DAOF5930J-1212IN	1-3/16"-12	1-1/16"-12	37.30	100.84	15.47	15.47	1-3/16"	1-3/8"	Imperial
DAOF5930J-1216IN	1-3/16"-12	1-5/16"-12	41.20	114.60	15.47	20.60	1-7/16"	1-5/8"	Imperial
DAOF5930J-1616	1-7/16"-12	1-5/16"-12	41.70	114.60	20.60	20.60	36 mm	41 mm	Metric
DAOF5930J-1616IN	1-7/16"-12	1-5/16"-12	41.70	114.60	20.60	20.60	1-7/16"	1-5/8"	Imperial
DAOF5930J-2020	1-11/16"-12	1-5/8"-12	44.70	126.50	26.00	26.01	41 mm	50 mm	Metric
DAOF5930J-2020IN	1-11/16"-12	1-5/8"-12	44.70	126.50	26.00	26.01	1-5/8"	1-7/8"	Imperial
DAOF5930J-2424	2"-12	1-7/8"-12	48.80	139.20	32.00	32.00	50 mm	55 mm	Metric
DAOF5930J-2424IN	2"-12	1-7/8"-12	48.80	139.20	32.00	32.00	1-7/8"	2-1/8"	Imperial



DAOF59305-LL

90° Adjustable X-Long Elbow ORFS Male - SAE Male O Ring

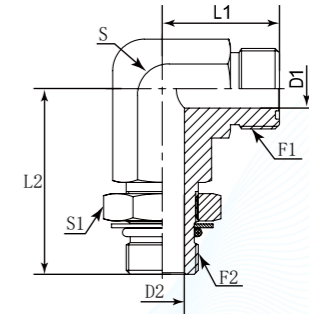
D	A	OF	5	9	30	5	LL
Company	Product Range	Thread Types	Connection Type	Adaptor Structure	Thread Types	Connection Type	X-Long
DME	Adaptor	ORFS UNF	Male	90° Elbow	SAE UNF	Male O Ring	

German Technology Equipment

SHIELD FLEX

New-Standard

- DME&JDE Code: **DAOF59305-LL**
- Product Type: **Hydraulic adaptor**
- Standard: **ORFS**
- Structure: **90° Elbow**
- Connection Type: **Adjustable Male x Male**
- Thread Types: **ORFS x SAE + X-Long O Ring**
- Sealing Method: **X-Long O Ring**



PART NUMBER	F1 (Thread)	F2 (Thread)	D1	D2	L1	L2	S	S1	S1
#	UNF	UNF	mm	mm	mm	mm	-	-	-
DAOF59305-LL-0404	9/16"-18	7/16"-20	4.37	4.37	21.59	71.00	14 mm	17 mm	Metric
DAOF59305-LL-0404IN	9/16"-18	7/16"-20	4.37	4.37	21.59	71.00	9/16"	5/8"	Imperial
DAOF59305-LL-0808	13/16"-16	3/4"-16	9.60	9.60	27.90	88.90	19 mm	24 mm	Metric
DAOF59305-LL-0808IN	13/16"-16	3/4"-16	9.60	9.60	27.90	88.90	3/4"	15/16"	Imperial
DAOF59305-LL-1212	1-3/16"-12	1-1/16"-12	15.50	15.50	37.50	114.30	32 mm	36 mm	Metric
DAOF59305-LL-1212IN	1-3/16"-12	1-1/16"-12	15.50	15.50	37.50	114.30	1-1/4"	1-3/8"	Imperial
DAOF59305-LL-1616	1-7/16"-12	1-5/16"-12	20.60	20.60	41.66	127.00	36 mm	36 mm	Metric
DAOF59305-LL-1616IN	1-7/16"-12	1-5/16"-12	20.60	20.60	41.66	127.00	1-3/8"	1-3/8"	Imperial
DAOF59305-LL-2020	1-11/16"-12	1-5/8"-12	26.00	27.50	44.50	140.00	41 mm	41 mm	Metric
DAOF59305-LL-2020IN	1-11/16"-12	1-5/8"-12	26.00	27.50	44.50	140.00	1-5/8"	1-5/8"	Imperial
DAOF59305-LL-2424	2"-11	1-7/8"-12	32.00	33.50	49.00	156.00	50 mm	55 mm	Metric
DAOF59305-LL-2424IN	2"-11	1-7/8"-12	32.00	33.50	49.00	156.00	1-7/8"	2-1/8"	Imperial



DAOF5906Y

90° Adjustable Long Elbow ORFS Male - BSPP Male + O Ring + Retaining Ring

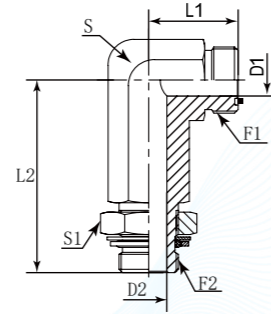
D	A	OF	5	9	06	Y
Company	Product Range	Thread Types	Connection Type	Adaptor Structure	Thread Types	Connection Type
DME	Adaptor	ORFS UNF	Male	90° Elbow	BSPP UNF	Male + Long O Ring + Retaining Ring

German Technology Equipment

SHIELD FLEX

New-Standard

- DME&JDE Code:** DAOF5906Y
- Product Type:** Hydraulic adaptor
- Standard:** ORFS
- Structure:** 90° Elbow
- Connection Type:** Adjustable Male x Male
- Thread Types:** UNF x BSPP
- Sealing Method:** Long O Ring + Retaining Ring



PART NUMBER	F1 (Thread)	F2 (Thread)	L1	L2	D1	D2	S	S1
#	UNF	BSPP	mm	mm	mm	mm	mm	mm
DAOF5906Y-0404	9/16"-18	1/4"-19	23.50	59.00	4.37	7.50	14.00	19.00
DAOF5906Y-0406	9/16"-18	3/8"-19	25.00	62.00	4.37	9.90	19.00	22.00
DAOF5906Y-0606	11/16"-16	3/8"-19	26.50	67.00	6.71	9.90	19.00	22.00
DAOF5906Y-0608	11/16"-16	1/2"-14	29.50	77.00	6.71	12.30	22.00	27.00
DAOF5906Y-0806	13/16"-16	3/8"-19	28.00	73.00	9.60	9.90	19.00	22.00
DAOF5906Y-0808	13/16"-16	1/2"-14	31.00	82.00	9.60	12.30	22.00	27.00
DAOF5906Y-1008	1"-14	1/2"-14	33.50	87.00	12.29	12.30	27.00	27.00
DAOF5906Y-1012	1"-14	3/4"-14	36.00	90.00	12.29	15.50	27.00	32.00
DAOF5906Y-1212	1-3/16"-12	3/4"-14	37.50	97.00	15.47	15.50	30.00	32.00
DAOF5906Y-1216	1-3/16"-12	1"-11	41.50	104.00	15.47	21.50	36.00	41.00
DAOF5906Y-1616	1-7/16"-12	1"-11	42.00	112.00	20.60	21.50	36.00	41.00
DAOF5906Y-1620	1-7/16"-12	1-1/4"-11	45.00	114.00	20.60	27.50	41.00	50.00
DAOF5906Y-2020	1-11/16"-12	1-1/4"-11	45.00	124.00	26.00	27.50	41.00	50.00
DAOF5906Y-2024	1-11/16"-12	1-1/2"-11	49.00	128.00	26.00	33.00	48.00	55.00
DAOF5906Y-2424	2"-12	1-1/2"-11	49.00	137.00	32.00	33.00	48.00	55.00



DAOF5906J

90° Adjustable Long Elbow ORFS Male - BSPP Male + O Ring

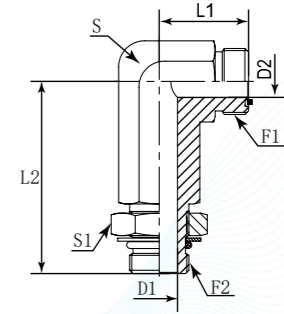
D	A	OF	5	9	06	J
Company	Product Range	Thread Types	Connection Type	Adaptor Structure	Thread Types	Connection Type
DME	Adaptor	ORFS UNF	Male	90° Elbow	BSPP	Male + O Ring

German Technology Equipment

SHIELD FLEX

New-Standard

- DME&JDE Code:** DAOF5906J
- Product Type:** Hydraulic adaptor
- Standard:** ORFS
- Structure:** 90° Elbow
- Connection Type:** Adjustable Male x Male
- Thread Types:** UNF x BSPP
- Sealing Method:** Long O Ring



PART NUMBER	F1 (Thread)	F2 (Thread)	L1	L2	D1	D2	S	S1
#	UNF	BSPP	mm	mm	mm	mm	mm	mm
DAOF5906J-0404	9/16"-18	1/4"-19	23.50	59.00	4.37	7.50	14.00	19.00
DAOF5906J-0406	9/16"-18	3/8"-19	25.00	62.00	4.37	9.90	19.00	22.00
DAOF5906J-0606	11/16"-16	3/8"-19	26.50	67.00	6.71	9.90	19.00	22.00
DAOF5906J-0608	11/16"-16	1/2"-14	29.50	77.00	6.71	12.30	22.00	27.00
DAOF5906J-0806	13/16"-16	3/8"-19	28.00	73.00	9.60	9.90	19.00	22.00
DAOF5906J-0808	13/16"-16	1/2"-14	31.00	82.00	9.60	12.30	22.00	27.00
DAOF5906J-1008	1"-14	1/2"-14	33.50	87.00	12.29	12.30	27.00	27.00
DAOF5906J-1012	1"-14	3/4"-14	36.00	90.00	12.29	15.50	27.00	32.00
DAOF5906J-1212	1-3/16"-12	3/4"-14	37.50	97.00	15.47	15.50	30.00	32.00
DAOF5906J-1216	1-3/16"-12	1"-11	41.50	104.00	15.47	21.50	36.00	41.00
DAOF5906J-1616	1-7/16"-12	1"-11	42.00	112.00	20.60	21.50	36.00	41.00
DAOF5906J-1620	1-7/16"-12	1-1/4"-11	45.00	114.00	20.60	27.50	41.00	50.00
DAOF5906J-2020	1-11/16"-12	1-1/4"-11	45.00	124.00	26.00	27.50	41.00	50.00
DAOF5906J-2024	1-11/16"-12	1-1/2"-11	49.00	128.00	26.00	33.00	48.00	55.00
DAOF5906J-2424	2"-12	1-1/2"-11	49.00	137.00	32.00	33.00	48.00	55.00



DAOF5952Y

90° Adjustable Long Elbow ORFS Male - Metric Male + O Ring + Retaining Ring

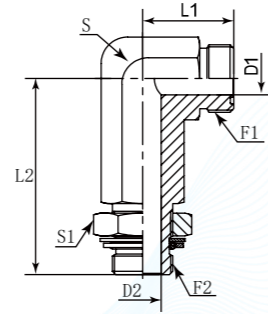
D	A	OF	5	9	06	Y
Company	Product Range	Thread Types	Connection Type	Adaptor Structure	Thread Types	Connection Type
DME	Adaptor	ORFS UNF	Male	90° Elbow	Metric	Male + Long O Ring + Retaining Ring

German Technology Equipment

SHIELD FLEX

New-Standard

- DME&JDE Code: DAOF5952Y
- Product Type: Hydraulic adaptor
- Standard: ORFS
- Structure: 90° Elbow
- Connection Type: Adjustable Male x Male
- Thread Types: UNF x Metric
- Sealing Method: Long O Ring + Retaining Ring



PART NUMBER	F1 (Thread)	F2 (Thread)	L1	L2	D1	D2	S	S1
#	UNF	Metric	mm	mm	mm	mm	mm	mm
DAOF5952Y-0412	9/16"-18	M12X1.5	21.50	56.50	4.37	4.37	14.00	17.00
DAOF5952Y-0616	11/16"-16	M16X1.5	25.00	67.00	6.71	7.00	19.00	22.00
DAOF5952Y-0818	13/16"-16	M18X1.5	28.00	75.00	9.60	9.00	19.00	24.00
DAOF5952Y-1022	1"-14	M22X1.5	33.50	89.00	12.29	12.00	27.00	27.00
DAOF5952Y-1227	1-3/16"-12	M27X2	37.50	100.00	15.47	15.00	30.00	32.00
DAOF5952Y-1633	1-7/16"-12	M33X2	42.00	113.00	20.60	20.00	36.00	41.00
DAOF5952Y-2042	1-11/16"-12	M42X2	45.00	125.00	26.00	26.00	41.00	50.00
DAOF5952Y-2448	2"-12	M48X2	49.00	139.00	32.00	32.00	48.00	55.00

DAOF5952J

90° Adjustable Long Elbow ORFS Male - Metric Male + O Ring

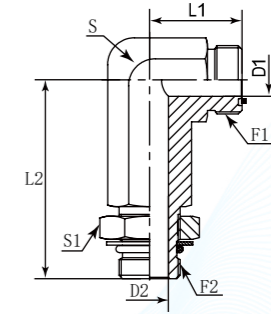
D	A	OF	5	9	52	J
Company	Product Range	Thread Types	Connection Type	Adaptor Structure	Thread Types	Connection Type
DME	Adaptor	ORFS UNF	Male	90° Elbow	Metric	Male Long O Ring

German Technology Equipment

SHIELD FLEX

New-Standard

- DME&JDE Code: DAOF5952J
- Product Type: Hydraulic adaptor
- Standard: ORFS
- Structure: 90° Elbow
- Connection Type: Adjustable Male x Male
- Thread Types: UNF x Metric
- Sealing Method: Long O Ring



PART NUMBER	F1 (Thread)	F2 (Thread)	L1	L2	D1	D2	S	S1
#	UNF	Metric	mm	mm	mm	mm	mm	mm
DAOF5952J-0412	9/16"-18	M12X1.5	21.50	56.50	4.37	4.37	14.00	17.00
DAOF5952J-0616	11/16"-16	M16X1.5	25.00	67.00	6.71	7.00	19.00	22.00
DAOF5952J-0818	13/16"-16	M18X1.5	28.00	75.00	9.60	9.00	19.00	24.00
DAOF5952J-1022	1"-14	M22X1.5	33.50	89.00	12.29	12.00	27.00	27.00
DAOF5952J-1227	1-3/16"-12	M27X2	37.50	100.00	15.47	15.00	30.00	32.00
DAOF5952J-1633	1-7/16"-12	M33X2	42.00	113.00	20.60	20.00	36.00	41.00
DAOF5952J-2042	1-11/16"-12	M42X2	45.00	125.00	26.00	26.00	41.00	50.00
DAOF5952J-2448	2"-12	M48X2	49.00	139.00	32.00	32.00	48.00	55.00



DAOF5T245

Tee Connector ORFS Male

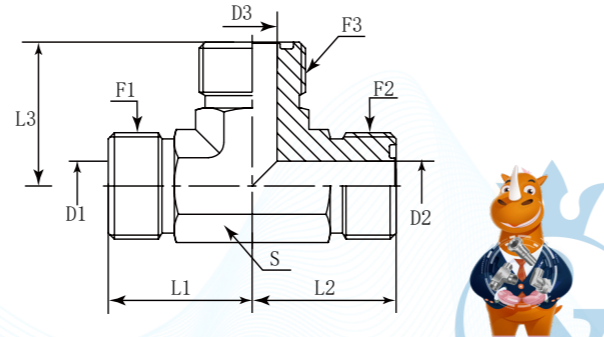
D	A	OF	5	T	24	5
Company	Product Range	Thread Types	Sealing Type	Adaptor Structure	Thread Types	Connection Type
DME	Adaptor	ORFS UNF	Male	Branch Tee	ORFS	Male+O Ring

German Technology Equipment

SHIELD FLEX

New-Standard

- DME&JDE Code: DAOF5T245
- Product Type: Hydraulic adaptor
- Standard: ORFS
- Structure: Tee
- Connection Type: Male x Male x Male
- Thread Types: UNF x UNF x UNF
- Sealing Method: O Ring



PART NUMBER	F1 (Thread)	F2 (Thread)	F3 (Thread)	L1	L2	L3	D1	D2	D3	S	Hex
#	UNF	UNF	UNF	mm	mm	mm	mm	mm	mm	-	-
DAOF5T245-0404	9/16"-18	9/16"-18	9/16"-18	21.60	21.60	21.60	4.37	4.37	4.37	14 mm	Metric
DAOF5T245-0404IN	9/16"-18	9/16"-18	9/16"-18	21.60	21.60	21.60	4.37	4.37	4.37	9/16"	Imperial
DAOF5T245-0606	11/16"-16	11/16"-16	11/16"-16	25.00	25.00	25.00	6.71	6.71	6.71	19 mm	Metric
DAOF5T245-060608	11/16"-16	11/16"-16	13/16"-16	26.50	26.50	28.00	6.50	6.50	9.60	19 mm	Metric
DAOF5T245-060806	11/16"-16	13/16"-16	11/16"-16	24.89	27.90	24.89	6.50	9.50	6.50	19 mm	Metric
DAOF5T245-060808	11/16"-16	13/16"-16	13/16"-16	26.30	27.90	27.90	6.71	9.60	9.60	19 mm	Metric
DAOF5T245-0606IN	11/16"-16	11/16"-16	11/16"-16	25.00	25.00	25.00	6.71	6.71	6.71	3/4"	Imperial
DAOF5T245-060608IN	11/16"-16	11/16"-16	13/16"-16	26.50	26.50	28.00	6.50	6.50	9.60	3/4"	Imperial
DAOF5T245-060806IN	11/16"-16	13/16"-16	11/16"-16	24.89	27.90	24.89	6.50	9.50	6.50	3/4"	Imperial
DAOF5T245-060808IN	11/16"-16	13/16"-16	13/16"-16	26.30	27.90	27.90	6.71	9.60	9.60	3/4"	Imperial
DAOF5T245-0808	13/16"-16	13/16"-16	13/16"-16	28.00	28.00	28.00	9.60	9.60	9.60	19 mm	Metric
DAOF5T245-080810	13/16"-16	13/16"-16	1"-14	30.73	30.73	33.30	9.60	9.60	12.29	27 mm	Metric
DAOF5T245-0808IN	13/16"-16	13/16"-16	13/16"-16	28.00	28.00	28.00	9.60	9.60	9.60	3/4"	Imperial
DAOF5T245-080810IN	13/16"-16	13/16"-16	1"-14	30.73	30.73	33.30	9.60	9.60	12.29	1-1/16"	Imperial
DAOF5T245-1010	1"-14	1"-14	1"-14	33.50	33.50	33.50	12.50	12.50	12.50	27 mm	Metric
DAOF5T245-101012	1"-14	1"-14	1-3/16"-12	35.81	35.81	37.34	12.50	12.50	15.50	30 mm	Metric
DAOF5T245-1010IN	1"-14	1"-14	1"-14	33.50	33.50	33.50	12.50	12.50	12.50	1-1/16"	Imperial
DAOF5T245-101012IN	1"-14	1"-14	1-3/16"-12	35.81	35.81	37.34	12.50	12.50	15.50	1-3/16"	Imperial
DAOF5T245-121208	1-3/16"-12	1-3/16"-12	13/16"-16	37.30	37.30	34.30	15.47	15.47	9.60	30 mm	Metric
DAOF5T245-1212	1-3/16"-12	1-3/16"-12	1-3/16"-12	37.50	37.50	37.50	15.50	15.50	15.50	30 mm	Metric
DAOF5T245-121216	1-3/16"-12	1-3/16"-12	1-7/16"-12	41.10	41.10	41.60	15.47	15.47	20.60	36 mm	Metric
DAOF5T245-121208IN	1-3/16"-12	1-3/16"-12	13/16"-16	37.30	37.30	34.30	15.47	15.47	9.60	1-3/16"	Imperial
DAOF5T245-1212IN	1-3/16"-12	1-3/16"-12	1-3/16"-12	37.50	37.50	37.50	15.50	15.50	15.50	1-3/16"	Imperial
DAOF5T245-121216IN	1-3/16"-12	1-3/16"-12	1-7/16"-12	41.10	41.10	41.60	15.47	15.47	20.60	1-7/16"	Imperial
DAOF5T245-1616	1-7/16"-12	1-7/16"-12	1-7/16"-12	41.50	41.50	41.50	20.50	20.50	20.50	36 mm	Metric
DAOF5T245-1616IN	1-7/16"-12	1-7/16"-12	1-7/16"-12	41.50	41.50	41.50	20.50	20.50	20.50	1-7/16"	Imperial
DAOF5T245-202016	1-11/16"-12	1-11/16"-12	1-7/16"-12	44.70	44.70	44.70	26.00	26.00	20.50	41 mm	Metric
DAOF5T245-2020	1-11/16"-12	1-11/16"-12	1-11/16"-12	44.70	44.70	44.70	26.00	26.00	26.00	41 mm	Metric
DAOF5T245-202016IN	1-11/16"-12	1-11/16"-12	1-7/16"-12	44.70	44.70	44.70	26.00	26.00	20.50	1-5/8"	Imperial
DAOF5T245-2020IN	1-11/16"-12	1-11/16"-12	1-11/16"-12	44.70	44.70	44.70	26.00	26.00	26.00	1-5/8"	Imperial
DAOF5T245-2424	2"-12	2"-12	2"-12	48.80	48.80	48.80	32.00	32.00	32.00	48 mm	Metric
DAOF5T245-2424IN	2"-12	2"-12	2"-12	48.80	48.80	48.80	32.00	32.00	32.00	1-7/8"	Imperial
DAOF5T245-3232	2-1/2"-12	2-1/2"-12	2-1/2"-12	63.30	63.30	63.30	45.00	45.00	45.00	63 mm	Metric
DAOF5T245-3232IN	2-1/2"-12	2-1/2"-12	2-1/2"-12	63.30	63.30	63.30	45.00	45.00	45.00	2-1/2"	Imperial

DAOF5T28M

Branch Tee Connector ORFS Male - NPTF Male

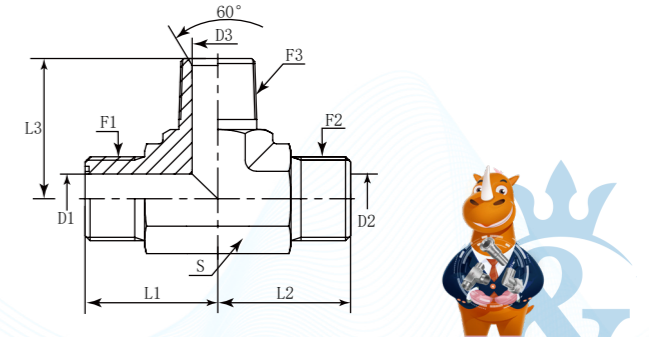
D	A	OF	5	T	28	M
Company	Product Range	Thread Types	Connection Type	Adaptor Structure	Thread Types	Connection Type
DME	Adaptor	ORFS UNF	Male	Branch Tee	NPTF	Male

German Technology Equipment

SHIELD FLEX

New-Standard

- DME&JDE Code: DAOF5T28M
- Product Type: Hydraulic adaptor
- Standard: ORFS
- Structure: Branch Tee
- Connection Type: Male x Male x Male
- Thread Types: UNF x UNF x NPTF



PART NUMBER	F1 (Thread)	F2 (Thread)	F3 (Thread)	L1	L2	L3	D1	D2	D3	S	Hex
#	UNF	UNF	NPTF	mm	mm	mm	mm	mm	mm	-	-
DAOF5T28M-0402	9/16"-18	9/16"-18	1/8"-27	21.60	21.60	19.80	4.37	4.37	4.78	14 mm	Metric
DAOF5T28M-0404	9/16"-18	9/16"-18	1/4"-18	21.60	21.60	28.45	4.37	4.37	7.14	14 mm	Metric
DAOF5T28M-0402IN	9/16"-18	9/16"-18	1/8"-27	21.60	21.60	19.80	4.37	4.37	4.78	9/16"	Imperial
DAOF5T28M-0404IN	9/16"-18	9/16"-18	1/4"-18	21.60	21.60	28.45	4.37	4.37	7.14	9/16"	Imperial
DAOF5T28M-0604	11/16"-16	11/16"-16	1/4"-18	24.90	24.90	27.70	6.71	6.71	7.14	19 mm	Metric
DAOF5T28M-0606	11/16"-16	11/16"-16	3/8"-18	24.90	24.90	31.00	6.71	6.71	10.31	19 mm	Metric
DAOF5T28M-0604IN	11/16"-16	11/16"-16	1/4"-18	24.90	24.90	27.70	6.71	6.71	7.14	3/4"	Imperial
DAOF5T28M-0606IN	11/16"-16	11/16"-16	3/8"-18	24.90	24.90	31.00	6.71	6.71	10.31	3/4"	Imperial
DAOF5T28M-0806	13/16"-16	13/16"-16	3/8"-18	27.90	27.90	31.00	9.60	9.60	10.31	19 mm	Metric
DAOF5T28M-0808	13/16"-16	13/16"-16	1/2"-14	27.90	27.90	37.30	9.60	9.60	13.49	22 mm	Metric
DAOF5T28M-0806IN	13/16"-16	13/16"-16	3/8"-18	27.90	27.90	31.00	9.60	9.60	10.31	3/4"	Imperial
DAOF5T28M-0808IN	13/16"-16	13/16"-16	1/2"-14	27.90	27.90	37.30	9.60	9.60	13.49	7/8"	Imperial
DAOF5T28M-1008	1"-14	1"-14	1/2"-14	33.30	33.30	37.30	12.29	12.29	13.49	27 mm	Metric
DAOF5T28M-1008IN	1"-14	1"-14	1/2"-14	33.30	33.30	37.30	12.29	12.29	13.49	1-1/16"	Imperial
DAOF5T28M-1208	1-3/16"-12	1-3/16"-12	1/2"-14	37.30	37.30	40.40	15.47	15.47	13.49	30 mm	Metric
DAOF5T28M-1212	1-3/16"-12	1-3/16"-12	3/4"-14	37.30	37.30	40.40	15.47	15.47	18.26	30 mm	Metric
DAOF5T28M-1208IN	1-3/16"-12	1-3/16"-12	1/2"-14	37.30	37.30	40.40	15.47	15.47	13.49	1-3/16"	Imperial
DAOF5T28M-1212IN	1-3/16"-12	1-3/16"-12	3/4"-14	37.30	37.30	40.40	15.47	15.47	18.26	1-3/16"	Imperial
DAOF5T28M-1616	1-7/16"-12	1-7/16"-12	1"-11-1/2	41.70	41.70	50.00	20.60	20.60	23.83	36 mm	Metric
DAOF5T28M-1616IN	1-7/16"-12	1-7/16"-12	1"-11-1/2	41.70	41.70	50.00	20.60	20.60	23.83	1-7/16"	Imperial
DAOF5T28M-2020	1-11/16"-12	1-11/16"-12	1-1/4"-11-1/2	44.70	44.70	60.50	26.00	26.00	31.75	41 mm	Metric
DAOF5T28M-2020IN	1-11/16"-12	1-11/16"-12	1-1/4"-11-1/2	44.70	44.70	60.50	26.00	26.00	31.75	1-5/8"	Imperial
DAOF5T28M-2424	2"-12	2"-12	1-1/2"-11-1/2	48.80	48.80	67.00	32.00	32.00	38.10	48 mm	Metric
DAOF5T28M-2424IN	2"-12	2"-12	1-1/2"-11-1/2	48.80	48.80	67.00	32.00	32.00	38.10	1-7/8"	Imperial



DAOF5T241

Branch Tee Connector ORFS Male - ORFS Swivel Female

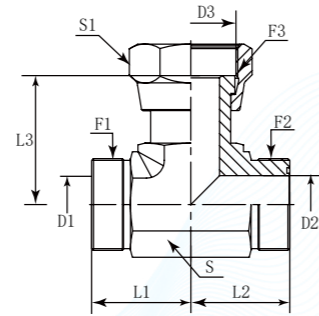
D	A	OF	5	T	241
Company	Product Range	Thread Types	Sealing Type	Adaptor Structure	Connection Type
DME	Adaptor	ORFS UNF	Male	Branch Tee	ORFS Swivel Female

German Technology Equipment

SHIELD FLEX

New-Standard

- DME&JDE Code: **DAOF5T241**
- Product Type: **Hydraulic adaptor**
- Standard: **ORFS**
- Structure: **Tee**
- Connection Type: **Male x Male x Swivel Female**
- Thread Types: **UNF x UNF x UNF**



PART NUMBER	F1 (Thread)	F2 (Thread)	F3 (Thread)	L1	L2	L3	D1	D2	D3	S	S1	Hex
#	UNF	UNF	UNF	mm	mm	mm	mm	mm	mm	-	-	-
DAOF5T241-0404	9/16"-18	9/16"-18	9/16"-18	21.59	21.59	26.40	4.37	4.37	4.19	14 mm	17 mm	Metric
DAOF5T241-0404IN	9/16"-18	9/16"-18	9/16"-18	21.59	21.59	26.40	4.37	4.37	4.19	9/16"	11/16"	Imperial
DAOF5T241-0606	11/16"-16	11/16"-16	11/16"-16	24.89	24.89	29.21	6.71	6.71	6.71	19 mm	22 mm	Metric
DAOF5T241-0606IN	11/16"-16	11/16"-16	11/16"-16	24.89	24.89	29.21	6.71	6.71	6.71	3/4"	13/16"	Imperial
DAOF5T241-0808	13/16"-16	13/16"-16	13/16"-16	28.00	28.00	38.00	9.60	9.60	9.09	19 mm	24 mm	Metric
DAOF5T241-0808IN	13/16"-16	13/16"-16	13/16"-16	28.00	28.00	38.00	9.60	9.60	9.09	3/4"	15/16"	Imperial
DAOF5T241-1010	1"-14	1"-14	1"-14	33.27	33.27	41.20	12.29	12.29	11.51	27 mm	30 mm	Metric
DAOF5T241-1010IN	1"-14	1"-14	1"-14	33.27	33.27	41.20	12.29	12.29	11.51	1-1/16"	1-1/8"	Imperial
DAOF5T241-1212	1-3/16"-12	1-3/16"-12	1-3/16"-12	37.30	37.30	46.30	15.47	15.47	13.89	30 mm	36 mm	Metric
DAOF5T241-1212IN	1-3/16"-12	1-3/16"-12	1-3/16"-12	37.30	37.30	46.30	15.47	15.47	13.89	1-3/16"	1-3/8"	Imperial
DAOF5T241-1616	1-7/16"-12	1-7/16"-12	1-7/16"-12	41.50	41.50	53.50	20.50	20.50	20.00	36 mm	41 mm	Metric
DAOF5T241-1616IN	1-7/16"-12	1-7/16"-12	1-7/16"-12	41.50	41.50	53.50	20.50	20.50	20.00	1-7/16"	1-5/8"	Imperial
DAOF5T241-2020	1-11/16"-12	1-11/16"-12	1-11/16"-12	44.50	44.50	58.00	26.00	26.00	26.01	41 mm	50 mm	Metric
DAOF5T241-2020IN	1-11/16"-12	1-11/16"-12	1-11/16"-12	44.50	44.50	58.00	26.00	26.00	26.01	1-5/8"	1-7/8"	Imperial
DAOF5T241-2424	2"-12	2"-12	2"-12	48.80	48.80	61.21	32.00	32.00	32.00	50 mm	60 mm	Metric
DAOF5T241-2424IN	2"-12	2"-12	2"-12	48.80	48.80	61.21	32.00	32.00	32.00	1-7/8"	2-1/4"	Imperial



DAOF5T24T

Branch Tee Bulkhead Connector ORFS Male - ORFS Male

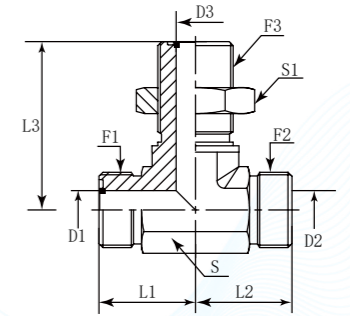
D	A	OF	5	T	24	T
Company	Product Range	Thread Types	Connection Type	Adaptor Structure	Thread Types	Connection Type
DME	Adaptor	ORFS UNF	Male	Branch Tee	ORFS UNF	Bulkhead Male

German Technology Equipment

SHIELD FLEX

New-Standard

- DME&JDE Code: **DAOF5T24T**
- Product Type: **Hydraulic adaptor**
- Standard: **ORFS**
- Structure: **Branch Tee**
- Connection Type: **Male x Male x Male**
- Thread Types: **UNF x UNF x UNF**
- Other Features: **Bulkhead**



PART NUMBER	F1 (Thread)	F2 (Thread)	F3 (Thread)	L1	L2	L3	D1	D2	D3	S	S1	Hex
#	UNF	UNF	UNF	mm	mm	mm	mm	mm	mm	-	-	-
DAOF5T24T-0404	9/16"-18	9/16"-18	9/16"-18	22.60	22.60	47.00	4.37	4.37	4.37	14 mm	22 mm	Metric
DAOF5T24T-0404IN	9/16"-18	9/16"-18	9/16"-18	22.60	22.60	47.00	4.37	4.37	4.37	9/16"	13/16"	Imperial
DAOF5T24T-0606	11/16"-16	11/16"-16	11/16"-16	26.00	26.00	52.00	6.71	6.71	6.71	19 mm	27 mm	Metric
DAOF5T24T-0606IN	11/16"-16	11/16"-16	11/16"-16	26.00	26.00	52.00	6.71	6.71	6.71	3/4"	1"	Imperial
DAOF5T24T-0808	13/16"-16	13/16"-16	13/16"-16	29.00	29.00	55.40	9.60	9.60	9.60	19 mm	30 mm	Metric
DAOF5T24T-0808IN	13/16"-16	13/16"-16	13/16"-16	29.00	29.00	55.40	9.60	9.60	9.60	3/4"	1-1/8"	Imperial
DAOF5T24T-1010	1"-14	1"-14	1"-14	34.50	34.50	63.00	12.29	12.29	12.29	27 mm	36 mm	Metric
DAOF5T24T-1010IN	1"-14	1"-14	1"-14	34.50	34.50	63.00	12.29	12.29	12.29	1-1/16"	1-5/16"	Imperial
DAOF5T24T-1212	1-3/16"-12	1-3/16"-12	1-3/16"-12	38.50	38.50	67.20	15.47	15.47	15.47	30 mm	41 mm	Metric
DAOF5T24T-1212IN	1-3/16"-12	1-3/16"-12	1-3/16"-12	38.50	38.50	67.20	15.47	15.47	15.47	1-3/16"	1-1/2"	Imperial
DAOF5T24T-1616	1-7/16"-12	1-7/16"-12	1-7/16"-12	42.40	42.40	71.10	20.60	20.60	20.60	36 mm	46 mm	Metric
DAOF5T24T-1616IN	1-7/16"-12	1-7/16"-12	1-7/16"-12	42.40	42.40	71.10	20.60	20.60	20.60	1-7/16"	1-3/4"	Imperial
DAOF5T24T-2020	1-11/16"-12	1-11/16"-12	1-11/16"-12	45.50	45.50	75.40	26.00	26.00	26.00	41 mm	50 mm	Metric
DAOF5T24T-2020IN	1-11/16"-12	1-11/16"-12	1-11/16"-12	45.50	45.50	75.40	26.00	26.00	26.00	1-5/8"	2"	Imperial
DAOF5T24T-2424	2"-12	2"-12	2"-12	49.50	49.50	79.50	32.00	32.00	32.00	48 mm	60 mm	Metric
DAOF5T24T-2424IN	2"-12	2"-12	2"-12	49.50	49.50	79.50	32.00	32.00	32.00	1-7/8"	2-3/8"	Imperial



DAOF5T305

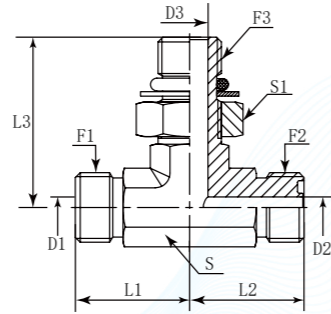
Branch Adjustable Tee ORFS Male - SAE Male O Ring

D	A	OF	5	T	30	5
Company	Product Range	Thread Types	Sealing Type	Adaptor Structure	Thread Types	Connection Type
DME	Adaptor	ORFS UNF	Male	Branch Tee	SAE UNF	Male O Ring

German Technology Equipment

New-Standard

- DME&JDE Code: **DAOF5T305**
- Product Type: **Hydraulic adaptor**
- Standard: **ORFS**
- Structure: **Branch Tee**
- Connection Type: **Adjustable Male x Male x Male**
- Thread Types: **ORFS UNF x ORFS UNF x SAE UNF + O Ring**
- Sealing Method: **O Ring**



PART NUMBER	F1 (Thread)	F2 (Thread)	F3 (Thread)	L1	L2	L3	D1	D2	D3	S	S1	Hex
#	UNF	UNF	UNF	mm	mm	mm	mm	mm	mm	-	-	-
DAOF5T305-0404	9/16"-18	9/16"-18	7/16"-20	21.60	21.60	32.80	4.37	4.37	4.37	14 mm	17 mm	Metric
DAOF5T305-0406	9/16"-18	9/16"-18	9/16"-18	23.40	23.40	36.80	4.37	4.37	6.71	19 mm	19 mm	Metric
DAOF5T305-0404IN	9/16"-18	9/16"-18	7/16"-20	21.60	21.60	32.80	4.37	4.37	4.37	9/16"	5/8"	Imperial
DAOF5T305-0406IN	9/16"-18	9/16"-18	9/16"-18	23.40	23.40	36.80	4.37	4.37	6.71	3/4"	3/4"	Imperial
DAOF5T305-0604	11/16"-16	11/16"-16	7/16"-20	24.90	24.90	34.80	6.71	6.71	4.37	19 mm	17 mm	Metric
DAOF5T305-0606	11/16"-16	11/16"-16	9/16"-18	24.90	24.90	36.80	6.71	6.71	6.71	19 mm	19 mm	Metric
DAOF5T305-0608	11/16"-16	11/16"-16	3/4"-16	26.40	26.40	40.60	6.71	6.71	9.60	19 mm	24 mm	Metric
DAOF5T305-0604IN	11/16"-16	11/16"-16	7/16"-20	24.90	24.90	34.80	6.71	6.71	4.37	3/4"	5/8"	Imperial
DAOF5T305-0606IN	11/16"-16	11/16"-16	9/16"-18	24.90	24.90	36.80	6.71	6.71	6.71	3/4"	3/4"	Imperial
DAOF5T305-0608IN	11/16"-16	11/16"-16	3/4"-16	26.40	26.40	40.60	6.71	6.71	9.60	3/4"	15/16"	Imperial
DAOF5T305-0806	13/16"-16	13/16"-16	9/16"-18	28.00	28.00	36.60	9.60	9.60	6.71	19 mm	19 mm	Metric
DAOF5T305-0808	13/16"-16	13/16"-16	3/4"-16	27.94	27.94	40.60	9.60	9.60	9.60	19 mm	24 mm	Metric
DAOF5T305-0806IN	13/16"-16	13/16"-16	9/16"-18	28.00	28.00	36.60	9.60	9.60	6.71	3/4"	3/4"	Imperial
DAOF5T305-0808IN	13/16"-16	13/16"-16	3/4"-16	27.94	27.94	40.60	9.60	9.60	9.60	3/4"	15/16"	Imperial
DAOF5T305-1008	1"-14	1"-14	3/4"-16	33.30	33.30	46.00	12.29	12.29	9.60	27 mm	24 mm	Metric
DAOF5T305-1010	1"-14	1"-14	7/8"-14	33.30	33.30	50.00	12.29	12.29	12.29	27 mm	27 mm	Metric
DAOF5T305-1008IN	1"-14	1"-14	3/4"-16	33.30	33.30	46.00	12.29	12.29	9.60	1-1/16"	15/16"	Imperial
DAOF5T305-1010IN	1"-14	1"-14	7/8"-14	33.30	33.30	50.00	12.29	12.29	12.29	1-1/16"	1-1/16"	Imperial
DAOF5T305-1210	1-3/16"-12	1-3/16"-12	7/8"-14	37.30	37.30	51.10	15.50	15.50	12.50	30 mm	27 mm	Metric
DAOF5T305-1212	1-3/16"-12	1-3/16"-12	1-1/16"-12	37.30	37.30	55.10	15.47	15.47	15.47	30 mm	36 mm	Metric
DAOF5T305-1216	1-3/16"-12	1-3/16"-12	1-5/16"-12	41.20	41.20	59.70	15.47	15.47	20.60	36 mm	41 mm	Metric
DAOF5T305-1210IN	1-3/16"-12	1-3/16"-12	7/8"-14	37.30	37.30	51.10	15.50	15.50	12.50	1-3/16"	1-1/16"	Imperial
DAOF5T305-1212IN	1-3/16"-12	1-3/16"-12	1-1/16"-12	37.30	37.30	55.10	15.47	15.47	15.47	1-3/16"	1-3/8"	Imperial
DAOF5T305-1216IN	1-3/16"-12	1-3/16"-12	1-5/16"-12	41.20	41.20	59.70	15.47	15.47	20.60	1-7/16"	1-5/8"	Imperial
DAOF5T305-1612	1-7/16"-12	1-7/16"-12	1-1/16"-12	41.70	41.70	58.50	20.60	20.60	15.47	36 mm	36 mm	Metric
DAOF5T305-1616	1-7/16"-12	1-7/16"-12	1-5/16"-12	41.50	41.50	59.70	20.50	20.50	21.50	36 mm	41 mm	Metric
DAOF5T305-1620	1-7/16"-12	1-7/16"-12	1-5/8"-12	44.70	44.70	62.20	20.50	20.50	26.00	41 mm	50 mm	Metric
DAOF5T305-1612IN	1-7/16"-12	1-7/16"-12	1-1/16"-12	41.70	41.70	58.50	20.60	20.60	15.47	1-7/16"	1-3/8"	Imperial
DAOF5T305-1616IN	1-7/16"-12	1-7/16"-12	1-5/16"-12	41.50	41.50	59.70	20.50	20.50	21.50	1-7/16"	1-5/8"	Imperial
DAOF5T305-1620IN	1-7/16"-12	1-7/16"-12	1-5/8"-12	44.70	44.70	62.20	20.50	20.50	26.00	1-5/8"	1-7/8"	Imperial
DAOF5T305-2016	1-11/16"-12	1-11/16"-12	1-5/16"-12	44.70	44.70	62.20	26.00	26.00	20.60	41 mm	41 mm	Metric
DAOF5T305-2020	1-11/16"-12	1-11/16"-12	1-5/8"-12	44.70	44.70	62.20	26.00	26.00	27.50	41 mm	50 mm	Metric
DAOF5T305-2016IN	1-11/16"-12	1-11/16"-12	1-5/16"-12	44.70	44.70	62.20	26.00	26.00	20.60	1-5/8"	1-5/8"	Imperial
DAOF5T305-2020IN	1-11/16"-12	1-11/16"-12	1-5/8"-12	44.70	44.70	62.20	26.00	26.00	27.50	1-5/8"	1-7/8"	Imperial
DAOF5T305-2424	2"-12	2"-12	1-7/8"-12	48.80	48.80	65.80	32.00	32.00	32.00	50 mm	55 mm	Metric
DAOF5T305-2424IN	2"-12	2"-12	1-7/8"-12	48.80	48.80	65.80	32.00	32.00	32.00	1-7/8"	2-1/8"	Imperial



DAOF5T06Q

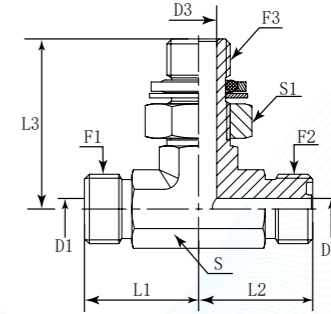
Branch Adjustable Tee ORFS Male - BSPP Male + O Ring + Retaining Ring

D	A	OF	5	T	06	0
Company	Product Range	Thread Types	Connection Type	Adaptor Structure	Thread Types	Connection Type
DME	Adaptor	ORFS UNF	Male	Branch Tee	BSPP	Male + O Ring + Retaining Ring

German Technology Equipment

New-Standard

- DME&JDE Code: **DAOF5T06Q**
- Product Type: **Hydraulic adaptor**
- Standard: **ORFS**
- Structure: **Branch Tee**
- Connection Type: **Adjustable Male x Male x Male**
- Thread Types: **UNF x UNF x BSPP**
- Sealing Method: **O Ring + Retaining Ring**



PART NUMBER	F1 (Thread)	F2 (Thread)	F3 (Thread)	L1	L2	L3	D1	D2	D3	S	S1
#	UNF	UNF	BSPP	mm	mm	mm	mm	mm	mm	mm	mm
DAOF5T06Q-0402	9/16"-18	9/16"-18	1/8"-28	21.50	21.50	30.00	4.37	4.37	4.40	14	14
DAOF5T06Q-0404	9/16"-18	9/16"-18	1/4"-19	23.50	23.50	35.00	4.37	4.37	7.50	14	19
DAOF5T06Q-0604	11/16"-16	11/16"-16	1/4"-19	25.00	25.00	36.00	6.71	6.71	7.50	19	19
DAOF5T06Q-0606	11/16"-16	11/16"-16	3/8"-19	26.50	26.50	38.00	6.71	6.71	9.90	19	22
DAOF5T06Q-0608	11/16"-16	11/16"-16	1/2"-14	29.50	29.50	48.00	6.71	6.71	12.30	22	27
DAOF5T06Q-0804	13/16"-16	13/16"-16	1/4"-19	28.00	28.00	35.00	9.60	9.60	7.50	19	19
DAOF5T06Q-0806	13/16"-16	13/16"-16	3/8"-19	28.00	28.00	36.50	9.60	9.60	9.90	19	22
DAOF5T06Q-0808	13/16"-16	13/16"-16	1/2"-14	31.00	31.00	48.00	9.50	9.50	12.30	27	27
DAOF5T06Q-1008	1"-14	1"-14	1/2"-14	33.50	33.50	48.00	12.29	12.29	12.30	27	27
DAOF5T06Q-1012	1"-14	1"-14	3/4"-14	36.00	36.00	51.50	12.50	12.50	15.50	30	36
DAOF5T06Q-1212	1-3/16"-12	1-3/16"-12	3/4"-14	37.50	37.50	51.50	15.47	15.47	15.50	30	36
DAOF5T06Q-1216	1-3/16"-12	1-3/16"-12	1"-11	41.50	41.50	58.00	15.47	15.47	21.50	36	41
DAOF5T06Q-1616	1-7/16"-12	1-7/16"-12	1"-11	42.00	42.00	58.00	20.60	20.60	21.50	36	41
DAOF5T06Q-2020	1-11/16"-12	1-11/16"-12	1-1/4"-11	45.00	45.00	60.50	26.00	26.00	27.50	41	50
DAOF5T06Q-2424	2"-12	2"-12	1-1/2"-11	49.00	49.00	64.50	32.00	32.00	33.00	48	55



DAOF5T065

Branch Adjustable Tee ORFS Male - BSPP Male + O Ring

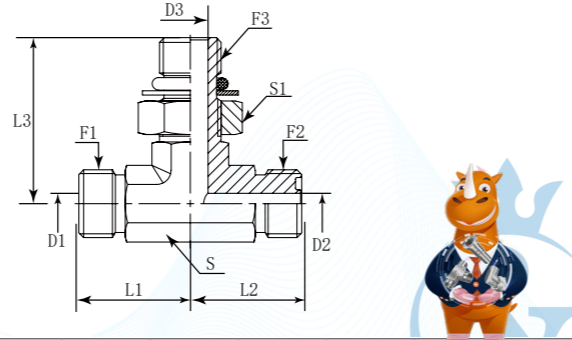
D	A	OF	5	T	06	5
Company	Product Range	Thread Types	Sealing Type	Adaptor Structure	Thread Types	Connection Type
DME	Adaptor	ORFS UNF	Male	Branch Tee	BSPP	Male + O Ring

German Technology Equipment

SHIELD FLEX

New-Standard

- DME&JDE Code: **DAOF5T065**
- Product Type: **Hydraulic adaptor**
- Standard: **ORFS**
- Structure: **Branch Tee**
- Connection Type: **Adjustable Male x Male x Male**
- Thread Types: **UNF x UNF x BSPP + O Ring**
- Sealing Method: **O Ring**



PART NUMBER	F1 (Thread)	F2 (Thread)	F3(Thread)	L1	L2	L3	D1	D2	D3	S	S1
#	UNF	UNF	BSPP	mm	mm	mm	mm	mm	mm	mm	mm
DAOF5T065-0402	9/16"-18	9/16"-18	1/8"-28	21.5	21.5	30	4.37	4.37	4.4	14	14
DAOF5T065-0404	9/16"-18	9/16"-18	1/4"-19	23.5	23.5	35	4.37	4.37	7.5	14	19
DAOF5T065-0604	11/16"-16	11/16"-16	1/4"-19	25	25	36	6.71	6.71	7.5	19	19
DAOF5T065-0606	11/16"-16	11/16"-16	3/8"-19	26.5	26.5	38	6.71	6.71	9.9	19	22
DAOF5T065-0608	11/16"-16	11/16"-16	1/2"-14	29.5	29.5	48	6.71	6.71	12.3	22	27
DAOF5T065-0804	13/16"-16	13/16"-16	1/4"-19	28	28	35	9.6	9.6	7.5	19	19
DAOF5T065-0806	13/16"-16	13/16"-16	3/8"-19	28	28	36.5	9.6	9.6	9.9	19	22
DAOF5T065-0808	13/16"-16	13/16"-16	1/2"-14	31	31	48	9.5	9.5	12.3	27	27
DAOF5T065-1008	1"-14	1"-14	1/2"-14	33.5	33.5	48	12.29	12.29	12.3	27	27
DAOF5T065-1012	1"-14	1"-14	3/4"-14	36	36	51.5	12.5	12.5	15.5	30	36
DAOF5T065-1212	1-3/16"-12	1-3/16"-12	3/4"-14	37.5	37.5	51.5	15.47	15.47	15.5	30	36
DAOF5T065-1216	1-3/16"-12	1-3/16"-12	1"-11	41.5	41.5	58	15.47	15.47	21.5	36	41
DAOF5T065-1616	1-7/16"-12	1-7/16"-12	1"-11	42	42	58	20.6	20.6	21.5	36	41
DAOF5T065-2020	1-11/16"-12	1-11/16"-12	1-1/4"-11	45	45	60.5	26	26	27.5	41	50
DAOF5T065-2424	2"-12	2"-12	1-1/2"-11	49	49	64.5	32	32	33	48	55

DAOF5T52Q

Branch Adjustable Tee ORFS Male - Metric Male + O Ring + Retaining Ring

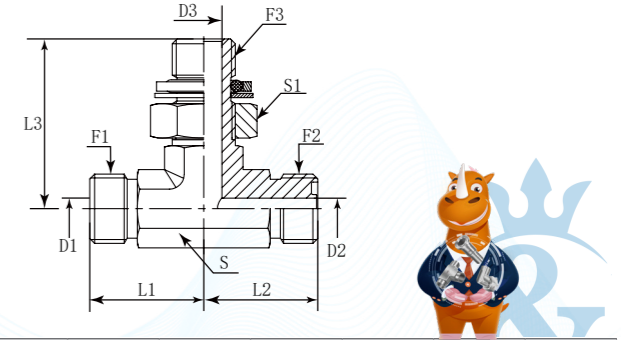
D	A	OF	5	T	52	0
Company	Product Range	Thread Types	Connection Type	Adaptor Structure	Thread Types	Connection Type
DME	Adaptor	ORFS UNF	Male	Branch Tee	Metric	Male + O Ring + Retaining Ring

German Technology Equipment

SHIELD FLEX

New-Standard

- DME&JDE Code: **DAOF5T52Q**
- Product Type: **Hydraulic adaptor**
- Standard: **ORFS**
- Structure: **Branch Tee**
- Connection Type: **Adjustable Male x Male x Male**
- Thread Types: **UNF x UNF x Metric**
- Sealing Method: **O Ring + Retaining Ring**



PART NUMBER	F1 (Thread)	F2 (Thread)	F3(Thread)	L1	L2	L3	D1	D2	D3	S	S1
#	UNF	UNF	METRIC	mm	mm	mm	mm	mm	mm	mm	mm
DAOF5T52Q-0410	9/16"-18	9/16"-18	M10X1	21.50	21.50	32.50	4.37	4.37	3.00	14	14
DAOF5T52Q-0412	9/16"-18	9/16"-18	M12X1.5	21.50	21.50	32.50	4.37	4.37	4.00	14	17
DAOF5T52Q-0614	11/16"-16	11/16"-16	M14X1.5	25.00	25.00	36.00	6.71	6.71	6.00	19	19
DAOF5T52Q-0616	11/16"-16	11/16"-16	M16X1.5	25.00	25.00	37.00	6.71	6.71	7.00	19	22
DAOF5T52Q-0816	13/16"-16	13/16"-16	M16X1.5	28.00	28.00	37.00	9.60	9.60	7.00	19	22
DAOF5T52Q-0818	13/16"-16	13/16"-16	M18X1.5	28.00	28.00	40.00	9.60	9.60	9.00	19	24
DAOF5T52Q-0822	13/16"-16	13/16"-16	M22X1.5	31.50	31.50	49.00	9.60	9.60	12.00	27	27
DAOF5T52Q-1018	1"-14	1"-14	M18X1.5	33.50	33.50	48.00	12.29	12.29	9.00	27	24
DAOF5T52Q-1022	1"-14	1"-14	M22X1.5	33.50	33.50	49.00	12.29	12.29	12.00	27	27
DAOF5T52Q-1227	1-3/16"-12	1-3/16"-12	M27X2	37.50	37.50	55.50	15.47	15.47	15.00	30	32
DAOF5T52Q-1233	1-3/16"-12	1-3/16"-12	M33X2	41.50	41.50	60.00	15.50	15.50	20.00	36	41
DAOF5T52Q-1633	1-7/16"-12	1-7/16"-12	M33X2	42.00	42.00	60.00	20.60	20.60	20.00	36	41
DAOF5T52Q-2033	1-11/16"-12	1-11/16"-12	M33X2	44.70	44.70	62.50	26.00	26.00	20.00	41	41
DAOF5T52Q-2448	2"-12	2"-12	M48X2	47.90	47.90	66.00	32.00	32.00	32.00	48	55

DAOF5T525

Branch Adjustable Tee ORFS Male - Metric Male + O Ring

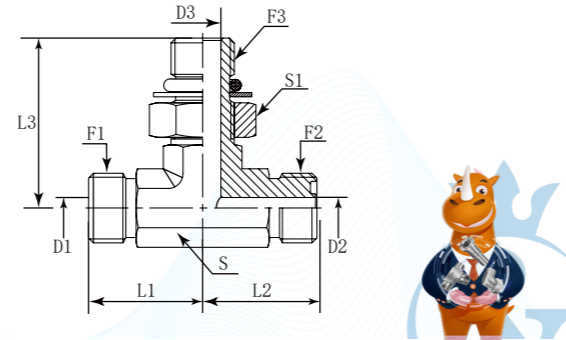
D	A	OF	5	T	52	5
Company	Product Range	Thread Types	Sealing Type	Adaptor Structure	Thread Types	Connection Type
DME	Adaptor	ORFS UNF	Male	Branch Tee	Metric	Male + O Ring

German Technology Equipment

SHIELD FLEX

New-Standard

- DME&JDE Code: **DAOF5T525**
- Product Type: **Hydraulic adaptor**
- Standard: **ORFS**
- Structure: **Branch Tee**
- Connection Type: **Adjustable Male x Male x Male**
- Thread Types: **UNF x UNF x Metric + O Ring**
- Sealing Method: **O Ring**



PART NUMBER	F1 (Thread)	F2 (Thread)	F3(Thread)	L1	L2	L3	D1	D2	D3	S	S1
#	UNF	UNF	METRIC	mm	mm	mm	mm	mm	mm	mm	mm
DAOF5T525-0410	9/16"-18	9/16"-18	M10X1	21.50	21.50	32.50	4.37	4.37	3.00	14	14
DAOF5T525-0412	9/16"-18	9/16"-18	M12X1.5	21.50	21.50	32.50	4.37	4.37	4.00	14	17
DAOF5T525-0614	11/16"-16	11/16"-16	M14X1.5	25.00	25.00	36.00	6.71	6.71	6.00	19	19
DAOF5T525-0616	11/16"-16	11/16"-16	M16X1.5	25.00	25.00	37.00	6.71	6.71	7.00	19	22
DAOF5T525-0816	13/16"-16	13/16"-16	M16X1.5	28.00	28.00	37.00	9.60	9.60	7.00	19	22
DAOF5T525-0818	13/16"-16	13/16"-16	M18X1.5	28.00	28.00	40.00	9.60	9.60	9.00	19	24
DAOF5T525-0822	13/16"-16	13/16"-16	M22X1.5	31.50	31.50	49.00	9.60	9.60	12.00	27	27
DAOF5T525-1018	1"-14	1"-14	M18X1.5	33.50	33.50	48.00	12.29	12.29	9.00	27	24
DAOF5T525-1022	1"-14	1"-14	M22X1.5	33.50	33.50	49.00	12.29	12.29	12.00	27	27
DAOF5T525-1227	1-3/16"-12	1-3/16"-12	M27X2	37.50	37.50	55.50	15.47	15.47	15.00	30	32
DAOF5T525-1233	1-3/16"-12	1-3/16"-12	M33X2	41.50	41.50	60.00	15.50	15.50	20.00	36	41
DAOF5T525-1633	1-7/16"-12	1-7/16"-12	M33X2	42.00	42.00	60.00	20.60	20.60	20.00	36	41
DAOF5T525-2033	1-11/16"-12	1-11/16"-12	M33X2	44.70	44.70	62.50	26.00	26.00	20.00	41	41
DAOF5T525-2448	2"-12	2"-12	M48X2	47.90	47.90	66.00	32.00	32.00	32.00	48	55

DAOF3T245

Branch Tee ORFS Swivel Female - ORFS Male

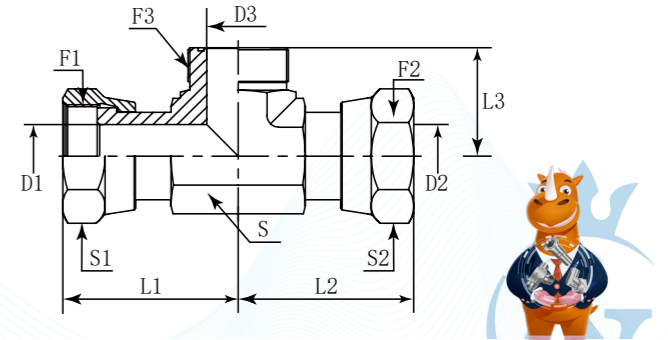
D	A	OF	3	T	24	5
Company	Product Range	Thread Types	Connection Type	Adaptor Structure	Thread Types	Sealing Type
DME	Adaptor	ORFS UNF	Swivel Female	Branch Tee	ORFS UNF	Male+O Ring

German Technology Equipment

SHIELD FLEX

New-Standard

- DME&JDE Code: **DAOF3T245**
- Product Type: **Hydraulic adaptor**
- Standard: **ORFS**
- Structure: **Branch Tee**
- Connection Type: **Swivel Female x Swivel Female x Male**
- Thread Types: **UNF x UNF x UNF**
- Sealing Method: **O Ring**

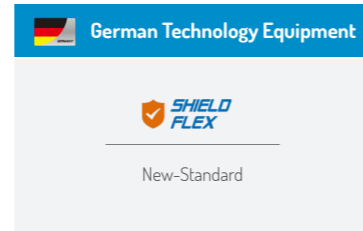


PART NUMBER	F1 (Thread)	F2 (Thread)	F3 (Thread)	D1	D2	D3	L1	L2	L3	S	S1	S2	Hex
#	UNF	UNF	UNF	mm	mm	mm	mm	mm	mm	-	-	-	-
DAOF3T245-0404	9/16"-18	9/16"-18	9/16"-18	4.19	4.19	4.37	34.60	34.60	21.50	14 mm	17 mm	17 mm	Metric
DAOF3T245-0404IN	9/16"-18	9/16"-18	9/16"-18	4.19	4.19	4.37	34.60	34.60	21.50	9/16"	11/16"	11/16"	Imperial
DAOF3T245-0606	11/16"-16	11/16"-16	11/16"-16	6.71	6.71	6.50	38.70	38.70	24.90	19 mm	22 mm	22 mm	Metric
DAOF3T245-0606IN	11/16"-16	11/16"-16	11/16"-16	6.71	6.71	6.50	38.70	38.70	24.90	3/4"	7/8"	7/8"	Imperial
DAOF3T245-0808	13/16"-16	13/16"-16	13/16"-16	9.09	9.09	9.60	49.00	49.00	28.96	19 mm	24 mm	24 mm	Metric
DAOF3T245-0808IN	13/16"-16	13/16"-16	13/16"-16	9.09	9.09	9.60	49.00	49.00	28.96	3/4"	15/16"	15/16"	Imperial
DAOF3T245-1212	1-3/16"-12	1-3/16"-12	1-3/16"-12	14.00	14.00	15.50	60.80	60.80	37.30	30 mm	36 mm	36 mm	Metric
DAOF3T245-1212IN	1-3/16"-12	1-3/16"-12	1-3/16"-12	14.00	14.00	15.50	60.80	60.80	37.30	1-3/16"	1-3/8"	1-3/8"	Imperial
DAOF3T245-1616	1-7/16"-12	1-7/16"-12	1-7/16"-12	18.89	19.89	20.50	68.20	68.20	41.70	36 mm	41 mm	41 mm	Metric
DAOF3T245-1616IN	1-7/16"-12	1-7/16"-12	1-7/16"-12	18.89	19.89	20.50	68.20	68.20	41.70	1-7/16"	1-5/8"	1-5/8"	Imperial
DAOF3T245-2020	1-11/16"-12	1-11/16"-12	1-11/16"-12	26.01	26.01	26.00	72.80	72.80	44.70	41 mm	50 mm	50 mm	Metric
DAOF3T245-2020IN	1-11/16"-12	1-11/16"-12	1-11/16"-12	26.01	26.01	26.00	72.80	72.80	44.70	1-5/8"	1-7/8"	1-7/8"	Imperial
DAOF3T245-2424	2"-12	2"-12	2"-12	32.00	32.00	32.00	76.10	76.10	48.80	50 mm	60 mm	60 mm	Metric
DAOF3T245-2424IN	2"-12	2"-12	2"-12	32.00	32.00	32.00	76.10	76.10	48.80	1-7/8"	2-1/4"	2-1/4"	Imperial

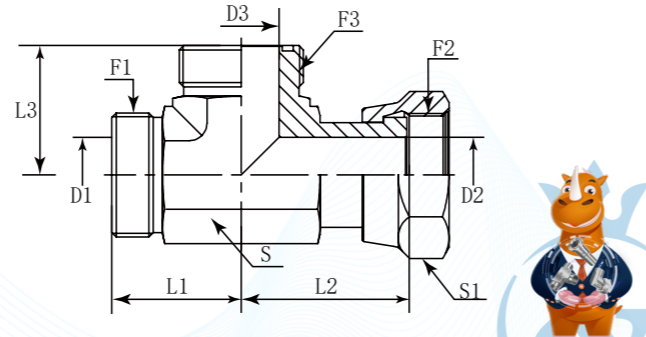
DAOF5L241

Run Tee Connector ORFS Male - ORFS Swivel Female

D	A	OF	5	L	241
Company	Product Range	Thread Types	Connection Type	Adaptor Structure	Connection Type
DME	Adaptor	ORFS UNF	Male	Run Tee	ORFS Swivel Female



- DME&JDE Code:** DAOF5L241
- Product Type:** Hydraulic adaptor
- Standard:** ORFS
- Structure:** Run Tee
- Connection Type:** Male x Swivel Female x Male
- Thread Types:** UNF x UNF x UNF



PART NUMBER	F1 (Thread)	F2 (Thread)	F3 (Thread)	L1	L2	L3	D1	D2	D3	S	S1	Hex
#	UNF	UNF	UNF	mm	mm	mm	mm	mm	mm	-	-	-
DAOF5L241-0404	9/16"-18	9/16"-18	9/16"-18	21.60	26.40	21.60	4.37	4.19	4.37	14 mm	17 mm	Metric
DAOF5L241-0404IN	9/16"-18	9/16"-18	9/16"-18	21.60	26.40	21.60	4.37	4.19	4.37	9/16"	11/16"	Imperial
DAOF5L241-0606	11/16"-16	11/16"-16	11/16"-16	24.89	29.21	24.89	6.71	6.71	6.71	19 mm	22 mm	Metric
DAOF5L241-0606IN	11/16"-16	11/16"-16	11/16"-16	24.89	29.21	24.89	6.71	6.71	6.71	3/4"	13/16"	Imperial
DAOF5L241-0808	13/16"-16	13/16"-16	13/16"-16	27.94	37.85	27.94	9.60	9.09	9.60	19 mm	24 mm	Metric
DAOF5L241-0808IN	13/16"-16	13/16"-16	13/16"-16	27.94	37.85	27.94	9.60	9.09	9.60	3/4"	15/16"	Imperial
DAOF5L241-1010	1"-14	1"-14	1"-14	33.50	41.00	33.50	12.50	11.51	12.50	27 mm	30 mm	Metric
DAOF5L241-1010IN	1"-14	1"-14	1"-14	33.50	41.00	33.50	12.50	11.51	12.50	1-1/16"	1-1/8"	Imperial
DAOF5L241-1212	1-3/16"-12	1-3/16"-12	1-3/16"-12	37.50	46.50	37.50	15.47	13.89	15.47	30 mm	36 mm	Metric
DAOF5L241-1212IN	1-3/16"-12	1-3/16"-12	1-3/16"-12	37.50	46.50	37.50	15.47	13.89	15.47	1-3/16"	1-3/8"	Imperial
DAOF5L241-1616	1-7/16"-12	1-7/16"-12	1-7/16"-12	41.66	53.34	41.66	20.50	19.89	20.50	36 mm	41 mm	Metric
DAOF5L241-1616IN	1-7/16"-12	1-7/16"-12	1-7/16"-12	41.66	53.34	41.66	20.50	19.89	20.50	1-7/16"	1-5/8"	Imperial
DAOF5L241-2020	1-11/16"-12	1-11/16"-12	1-11/16"-12	44.70	58.17	44.70	26.00	26.01	26.00	41 mm	50 mm	Metric
DAOF5L241-2020IN	1-11/16"-12	1-11/16"-12	1-11/16"-12	44.70	58.17	44.70	26.00	26.01	26.00	1-5/8"	1-7/8"	Imperial
DAOF5L241-2424	2"-12	2"-12	2"-12	48.80	61.21	48.80	32.00	32.00	32.00	50 mm	60 mm	Metric
DAOF5L241-2424IN	2"-12	2"-12	2"-12	48.80	61.21	48.80	32.00	32.00	32.00	1-7/8"	2-1/4"	Imperial



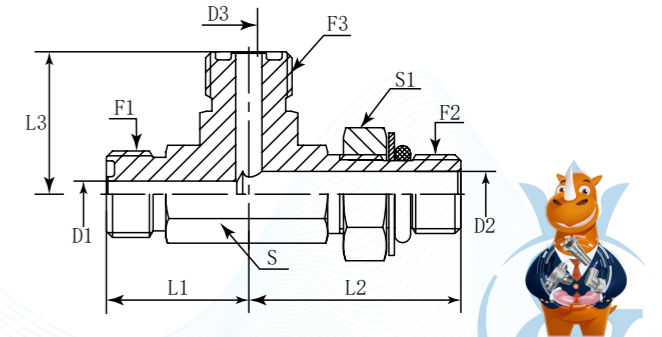
DAOF5L305

Run Adjustable Tee ORFS Male - SAE Male O Ring

D	A	OF	5	L	30	5
Company	Product Range	Thread Types	Connection Type	Adaptor Structure	Thread Types	Connection Type
DME	Adaptor	ORFS UNF	Male	Run Tee	SAE UNF	Male O Ring



- DME&JDE Code:** DAOF5L305
- Product Type:** Hydraulic adaptor
- Standard:** ORFS
- Structure:** Run Tee
- Connection Type:** Adjustable Male x Male x Male
- Thread Types:** ORFS UNF x ORFS UNF x SAE UNF + O Ring
- Sealing Method:** O Ring



PART NUMBER	F1 (Thread)	F2 (Thread)	F3 (Thread)	L1	L2	L3	D1	D2	D3	S	S1	Hex
#	UNF	UNF	UNF	mm	mm	mm	mm	mm	mm	-	-	-
DAOF5L305-0404	9/16"-18	7/16"-20	9/16"-18	21.60	32.80	21.60	4.37	4.37	4.37	14 mm	17 mm	Metric
DAOF5L305-0406	9/16"-18	9/16"-18	9/16"-18	23.50	36.80	23.50	4.37	6.71	4.37	19 mm	19 mm	Metric
DAOF5L305-0408	9/16"-18	3/4"-16	9/16"-18	25.00	40.60	25.00	4.37	9.60	4.37	19 mm	24 mm	Metric
DAOF5L305-0404IN	9/16"-18	7/16"-20	9/16"-18	21.60	32.80	21.60	4.37	4.37	4.37	9/16"	5/8"	Imperial
DAOF5L305-0406IN	9/16"-18	9/16"-18	9/16"-18	23.50	36.80	23.50	4.37	6.71	4.37	3/4"	3/4"	Imperial
DAOF5L305-0408IN	9/16"-18	3/4"-16	9/16"-18	25.00	40.60	25.00	4.37	9.60	4.37	3/4"	15/16"	Imperial
DAOF5L305-0604	11/16"-16	7/16"-20	11/16"-16	25.00	35.00	25.00	6.50	4.50	6.50	19 mm	17 mm	Metric
DAOF5L305-0606	11/16"-16	9/16"-18	11/16"-16	24.90	36.80	24.90	6.71	6.71	6.71	19 mm	19 mm	Metric
DAOF5L305-0608	11/16"-16	3/4"-16	11/16"-16	26.40	40.60	26.40	6.71	9.60	6.71	19 mm	24 mm	Metric
DAOF5L305-0604IN	11/16"-16	7/16"-20	11/16"-16	25.00	35.00	25.00	6.50	4.50	6.50	3/4"	5/8"	Imperial
DAOF5L305-0606IN	11/16"-16	9/16"-18	11/16"-16	24.90	36.80	24.90	6.71	6.71	6.71	3/4"	3/4"	Imperial
DAOF5L305-0608IN	11/16"-16	3/4"-16	11/16"-16	26.40	40.60	26.40	6.71	9.60	6.71	3/4"	15/16"	Imperial
DAOF5L305-0806	13/16"-16	9/16"-18	13/16"-16	28.00	36.80	28.00	9.60	6.71	9.60	19 mm	19 mm	Metric
DAOF5L305-0808	13/16"-16	3/4"-16	13/16"-16	27.90	40.60	27.90	9.60	9.60	9.60	19 mm	24 mm	Metric
DAOF5L305-0810	13/16"-16	7/8"-14	13/16"-16	30.70	50.00	30.70	9.60	12.29	9.60	27 mm	27 mm	Metric
DAOF5L305-0812	13/16"-16	1-1/16"-12	13/16"-16	33.50	55.10	33.50	9.60	15.47	9.60	30 mm	36 mm	Metric

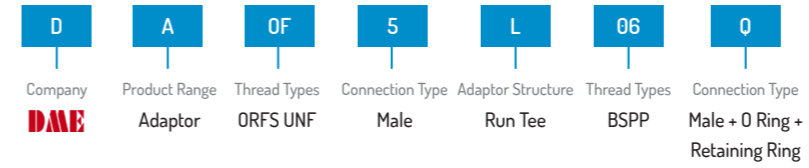


DAOF5L305-0806IN	13/16"-16	9/16"-18	13/16"-16	28.00	36.80	28.00	9.60	6.71	9.60	3/4"	3/4"	Imperial
DAOF5L305-0808IN	13/16"-16	3/4"-16	13/16"-16	27.90	40.60	27.90	9.60	9.60	9.60	3/4"	15/16"	Imperial
DAOF5L305-0810IN	13/16"-16	7/8"-14	13/16"-16	30.70	50.00	30.70	9.60	12.29	9.60	1-1/16"	1-1/16"	Imperial
DAOF5L305-0812IN	13/16"-16	1-1/16"-12	13/16"-16	33.50	55.10	33.50	9.60	15.47	9.60	1-3/16"	1-3/8"	Imperial
DAOF5L305-1008	1"-14	3/4"-16	1"-14	33.50	46.00	33.50	12.50	9.60	12.50	27 mm	24 mm	Metric
DAOF5L305-1010	1"-14	7/8"-14	1"-14	33.30	50.00	33.30	12.29	12.29	12.29	27 mm	27 mm	Metric
DAOF5L305-1012	1"-14	1-1/16"-12	1"-14	35.81	55.12	35.81	12.29	12.29	12.29	30 mm	36 mm	Metric
DAOF5L305-1008IN	1"-14	3/4"-16	1"-14	33.50	46.00	33.50	12.50	9.60	12.50	1-1/16"	15/16"	Imperial
DAOF5L305-1010IN	1"-14	7/8"-14	1"-14	33.30	50.00	33.30	12.29	12.29	12.29	1-1/16"	1-1/16"	Imperial
DAOF5L305-1012IN	1"-14	1-1/16"-12	1"-14	35.81	55.12	35.81	12.29	12.29	12.29	1-3/16"	1-3/8"	Imperial
DAOF5L305-1208	1-3/16"-12	3/4"-16	1-3/16"-12	37.34	48.50	37.34	15.47	9.60	15.47	30 mm	24 mm	Metric
DAOF5L305-1212	1-3/16"-12	1-1/16"-12	1-3/16"-12	37.30	55.10	37.30	15.47	15.47	15.47	30 mm	36 mm	Metric
DAOF5L305-1216	1-3/16"-12	1-5/16"-12	1-3/16"-12	41.20	59.70	41.20	15.47	20.60	15.47	36 mm	41 mm	Metric
DAOF5L305-1208IN	1-3/16"-12	3/4"-16	1-3/16"-12	37.34	48.50	37.34	15.47	9.60	15.47	1-3/16"	15/16"	Imperial
DAOF5L305-1212IN	1-3/16"-12	1-1/16"-12	1-3/16"-12	37.30	55.10	37.30	15.47	15.47	15.47	1-3/16"	1-3/8"	Imperial
DAOF5L305-1216IN	1-3/16"-12	1-5/16"-12	1-3/16"-12	41.20	59.70	41.20	15.47	20.60	15.47	1-7/16"	1-5/8"	Imperial
DAOF5L305-1612	1-7/16"-12	1-1/16"-12	1-7/16"-12	41.70	58.50	41.70	20.60	15.47	20.60	36 mm	36 mm	Metric
DAOF5L305-1616	1-7/16"-12	1-5/16"-12	1-7/16"-12	41.50	59.50	41.50	20.50	21.50	20.50	36 mm	41 mm	Metric
DAOF5L305-1620	1-7/16"-12	1-5/8"-12	1-7/16"-12	44.70	62.20	44.70	20.60	26.01	20.60	41 mm	50 mm	Metric
DAOF5L305-1612IN	1-7/16"-12	1-1/16"-12	1-7/16"-12	41.70	58.50	41.70	20.60	15.47	20.60	1-7/16"	1-3/8"	Imperial
DAOF5L305-1616IN	1-7/16"-12	1-5/16"-12	1-7/16"-12	41.50	59.50	41.50	20.50	21.50	20.50	1-7/16"	1-5/8"	Imperial
DAOF5L305-1620IN	1-7/16"-12	1-5/8"-12	1-7/16"-12	44.70	62.20	44.70	20.60	26.01	20.60	1-5/8"	1-7/8"	Imperial
DAOF5L305-2016	1-11/16"-12	1-5/16"-12	1-11/16"-12	44.70	62.20	44.70	26.00	20.60	26.00	41 mm	41 mm	Metric
DAOF5L305-2020	1-11/16"-12	1-5/8"-12	1-11/16"-12	44.50	62.20	44.50	26.00	27.50	26.00	41 mm	50 mm	Metric
DAOF5L305-2016IN	1-11/16"-12	1-5/16"-12	1-11/16"-12	44.70	62.20	44.70	26.00	20.60	26.00	1-5/8"	1-5/8"	Imperial
DAOF5L305-2020IN	1-11/16"-12	1-5/8"-12	1-11/16"-12	44.50	62.20	44.50	26.00	27.50	26.00	1-5/8"	1-7/8"	Imperial
DAOF5L305-2424	2"-12	1-7/8"-12	2"-12	48.80	65.80	48.80	32.00	32.00	32.00	50 mm	55 mm	Metric
DAOF5L305-2424IN	2"-12	1-7/8"-12	2"-12	48.80	65.80	48.80	32.00	32.00	32.00	1-7/8"	2-1/8"	Imperial

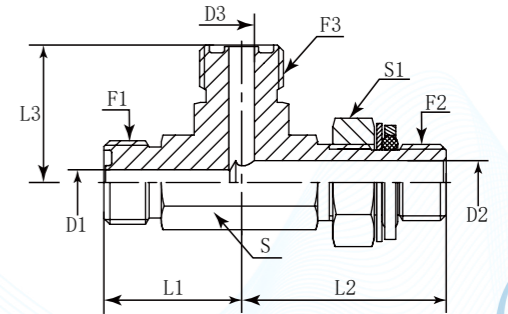


DAOF5L06Q

Run Adjustable Tee ORFS Male - BSPP Male + O Ring + Retaining Ring



- DME&JDE Code:** DAOF5L06Q
- Product Type:** Hydraulic adaptor
- Standard:** ORFS
- Structure:** Run Tee
- Connection Type:** Adjustable Male x Male x Male
- Thread Types:** UNF x BSPP x UNF
- Sealing Method:** O Ring + Retaining Ring



PART NUMBER	F1 (Thread)	F2 (Thread)	F3 (Thread)	L1	L2	L3	D1	D2	D3	S	S1
#	UNF	BSPP	UNF	mm	mm	mm	mm	mm	mm	mm	mm
DAOF5L06Q-0402	9/16"-18	1/8"-28	9/16"-18	21.50	30.00	21.50	4.37	4.40	4.37	14	14
DAOF5L06Q-0404	9/16"-18	1/4"-19	9/16"-18	23.50	35.00	23.50	4.37	7.50	4.37	14	19
DAOF5L06Q-0604	11/16"-16	1/4"-19	11/16"-16	25.00	36.00	25.00	6.71	7.50	6.71	19	19
DAOF5L06Q-0606	11/16"-16	3/8"-19	11/16"-16	26.50	38.00	26.50	6.50	9.90	6.50	19	22
DAOF5L06Q-0608	11/16"-16	1/2"-14	11/16"-16	29.50	48.00	29.50	6.71	12.30	6.71	22	27
DAOF5L06Q-0804	13/16"-16	1/4"-19	13/16"-16	28.00	35.00	28.00	9.60	7.50	9.60	19	19
DAOF5L06Q-0806	13/16"-16	3/8"-19	13/16"-16	28.00	36.50	28.00	9.60	9.90	9.60	19	22
DAOF5L06Q-0808	13/16"-16	1/2"-14	13/16"-16	31.00	48.00	31.00	9.60	12.30	9.60	22	27
DAOF5L06Q-1008	1"-14	1/2"-14	1"-14	33.50	48.00	33.50	12.29	12.30	12.29	27	27
DAOF5L06Q-1012	1"-14	3/4"-14	1"-14	36.00	51.50	36.00	12.29	15.50	12.29	30	36
DAOF5L06Q-1212	1-3/16"-12	3/4"-14	1-3/16"-12	37.50	51.50	37.50	15.47	15.50	15.47	30	36
DAOF5L06Q-1616	1-7/16"-12	1"-11	1-7/16"-12	42.00	58.00	42.00	20.60	21.50	20.60	36	41
DAOF5L06Q-2020	1-11/16"-12	1-1/4"-11	1-11/16"-12	45.00	60.50	45.00	26.00	27.50	26.00	41	50
DAOF5L06Q-2424	2"-12	1-1/2"-11	2"-12	49.00	64.50	49.00	32.00	33.00	32.00	48	55



DAOF5L065

Run Adjustable Tee ORFS Male - BSPP Male + O Ring

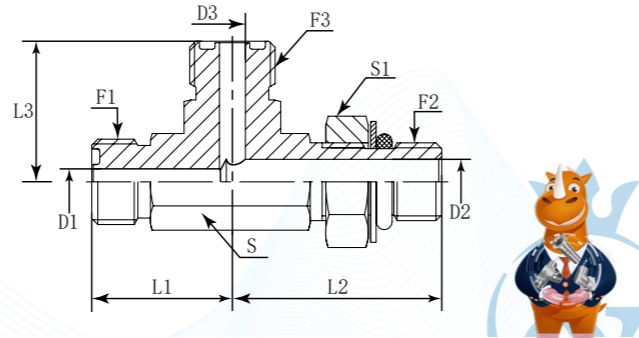
D	A	OF	5	L	06	5
Company	Product Range	Thread Types	Connection Type	Adaptor Structure	Thread Types	Connection Type
DME	Adaptor	ORFS UNF	Male	Run Tee	BSPP	Male + O Ring

German Technology Equipment

SHIELD FLEX

New-Standard

- DME&JDE Code: **DAOF5L065**
- Product Type: **Hydraulic adaptor**
- Standard: **ORFS**
- Structure: **Run Tee**
- Connection Type: **Adjustable Male x Male x Male**
- Thread Types: **UNF x BSPP x UNF + O Ring**
- Sealing Method: **O Ring**



PART NUMBER	F1 (Thread)	F2 (Thread)	F3 (Thread)	L1	L2	L3	D1	D2	D3	S	S1
#	UNF	BSPP	UNF	mm	mm	mm	mm	mm	mm	mm	mm
DAOF5L065-0402	9/16"-18	1/8"-28	9/16"-18	21.50	30.00	21.50	4.37	4.40	4.37	14	14
DAOF5L065-0404	9/16"-18	1/4"-19	9/16"-18	23.50	35.00	23.50	4.37	7.50	4.37	14	19
DAOF5L065-0604	11/16"-16	1/4"-19	11/16"-16	25.00	36.00	25.00	6.71	7.50	6.71	19	19
DAOF5L065-0606	11/16"-16	3/8"-19	11/16"-16	26.50	38.00	26.50	6.50	9.90	6.50	19	22
DAOF5L065-0608	11/16"-16	1/2"-14	11/16"-16	29.50	48.00	29.50	6.71	12.30	6.71	22	27
DAOF5L065-0804	13/16"-16	1/4"-19	13/16"-16	28.00	35.00	28.00	9.60	7.50	9.60	19	19
DAOF5L065-0806	13/16"-16	3/8"-19	13/16"-16	28.00	36.50	28.00	9.60	9.90	9.60	19	22
DAOF5L065-0808	13/16"-16	1/2"-14	13/16"-16	31.00	48.00	31.00	9.60	12.30	9.60	22	27
DAOF5L065-1008	1"-14	1/2"-14	1"-14	33.50	48.00	33.50	12.29	12.30	12.29	27	27
DAOF5L065-1012	1"-14	3/4"-14	1"-14	36.00	51.50	36.00	12.29	15.50	12.29	30	36
DAOF5L065-1212	1-3/16"-12	3/4"-14	1-3/16"-12	37.50	51.50	37.50	15.47	15.50	15.47	30	36
DAOF5L065-1616	1-7/16"-12	1"-11	1-7/16"-12	42.00	58.00	42.00	20.60	21.50	20.60	36	41
DAOF5L065-2020	1-11/16"-12	1-1/4"-11	1-11/16"-12	45.00	60.50	45.00	26.00	27.50	26.00	41	50
DAOF5L065-2424	2"-12	1-1/2"-11	2"-12	49.00	64.50	49.00	32.00	33.00	32.00	48	55

DAOF5L52Q

Run Adjustable Tee ORFS Male - Metric Male + O Ring + Retaining Ring

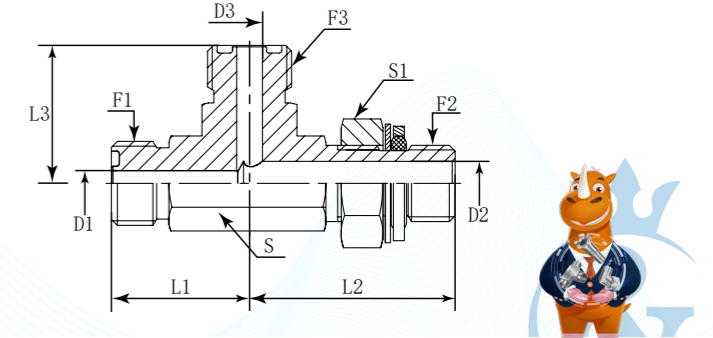
D	A	OF	5	L	52	0
Company	Product Range	Thread Types	Connection Type	Adaptor Structure	Thread Types	Connection Type
DME	Adaptor	ORFS UNF	Male	Run Tee	Metric	Male + O Ring + Retaining Ring

German Technology Equipment

SHIELD FLEX

New-Standard

- DME&JDE Code: **DAOF5L52Q**
- Product Type: **Hydraulic adaptor**
- Standard: **ORFS**
- Structure: **Run Tee**
- Connection Type: **Adjustable Male x Male x Male**
- Thread Types: **UNF x Metric x UNF**
- Sealing Method: **O Ring + Retaining Ring**



PART NUMBER	F1 (Thread)	F2 (Thread)	F3 (Thread)	L1	L2	L3	D1	D2	D3	S	S1
#	UNF	METRIC	UNF	mm	mm	mm	mm	mm	mm	mm	mm
DAOF5L52Q-0410	9/16"-18	M10X1	9/16"-18	21.50	32.50	21.50	4.37	3.00	4.37	14	14
DAOF5L52Q-0412	9/16"-18	M12X1.5	9/16"-18	21.50	32.50	21.50	4.37	4.00	4.37	14	17
DAOF5L52Q-0614	11/16"-16	M14X1.5	11/16"-16	25.00	36.00	25.00	6.71	6.00	6.71	19	19
DAOF5L52Q-0616	11/16"-16	M16X1.5	11/16"-16	25.00	37.00	25.00	6.71	7.00	6.71	19	22
DAOF5L52Q-0816	13/16"-16	M16X1.5	13/16"-16	28.00	37.00	28.00	9.60	7.00	9.60	19	22
DAOF5L52Q-0818	13/16"-16	M18X1.5	13/16"-16	28.00	40.00	28.00	9.60	9.00	9.60	19	24
DAOF5L52Q-0822	13/16"-16	M22X1.5	13/16"-16	31.50	49.00	31.50	9.60	12.00	9.60	27	27
DAOF5L52Q-1018	1"-14	M18X1.5	1"-14	33.50	48.00	33.50	12.29	9.00	12.29	27	24
DAOF5L52Q-1022	1"-14	M22X1.5	1"-14	33.50	49.00	33.50	12.29	12.00	12.29	27	27
DAOF5L52Q-1227	1-3/16"-12	M27X2	1-3/16"-12	37.50	55.50	37.50	15.47	15.00	15.47	30	32
DAOF5L52Q-1233	1-3/16"-12	M33X2	1-3/16"-12	41.50	60.00	41.50	15.50	20.00	15.50	36	41
DAOF5L52Q-1633	1-7/16"-12	M33X2	1-7/16"-12	42.00	60.00	42.00	20.60	20.00	20.60	36	41
DAOF5L52Q-2033	1-11/16"-12	M33X2	1-11/16"-12	44.70	62.50	44.70	26.00	20.00	26.00	41	41
DAOF5L52Q-2448	2"-12	M48X2	2"-12	47.90	66.00	47.90	32.00	32.00	32.00	48	55



DAOF5L525

Run Adjustable Tee ORFS Male - Metric Male + O Ring

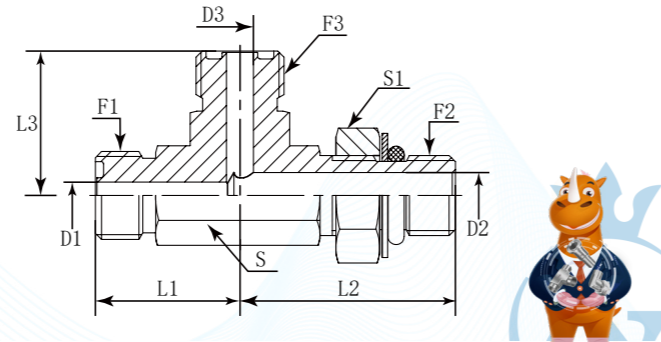
D	A	OF	5	L	52	5
Company	Product Range	Thread Types	Connection Type	Adaptor Structure	Thread Types	Connection Type
DME	Adaptor	ORFS UNF	Male	Run Tee	Metric	Male + O Ring

German Technology Equipment

SHIELD FLEX

New-Standard

- DME&JDE Code: **DAOF5L525**
- Product Type: **Hydraulic adaptor**
- Standard: **ORFS**
- Structure: **Run Tee**
- Connection Type: **Adjustable Male x Male x Male**
- Thread Types: **UNF x Metric x UNF + O Ring**



PART NUMBER	F1 (Thread)	F2 (Thread)	F3 (Thread)	L1	L2	L3	D1	D2	D3	S	S1
#	UNF	METRIC	UNF	mm	mm	mm	mm	mm	mm	mm	mm
DAOF5L525-0410	9/16"-18	M10X1	9/16"-18	21.50	32.50	21.50	4.37	3.00	4.37	14	14
DAOF5L525-0412	9/16"-18	M12X1.5	9/16"-18	21.50	32.50	21.50	4.37	4.00	4.37	14	17
DAOF5L525-0614	11/16"-16	M14X1.5	11/16"-16	25.00	36.00	25.00	6.71	6.00	6.71	19	19
DAOF5L525-0616	11/16"-16	M16X1.5	11/16"-16	25.00	37.00	25.00	6.71	7.00	6.71	19	22
DAOF5L525-0816	13/16"-16	M16X1.5	13/16"-16	28.00	37.00	28.00	9.60	7.00	9.60	19	22
DAOF5L525-0818	13/16"-16	M18X1.5	13/16"-16	28.00	40.00	28.00	9.60	9.00	9.60	19	24
DAOF5L525-0822	13/16"-16	M22X1.5	13/16"-16	31.50	49.00	31.50	9.60	12.00	9.60	27	27
DAOF5L525-1018	1"-14	M18X1.5	1"-14	33.50	48.00	33.50	12.29	9.00	12.29	27	24
DAOF5L525-1022	1"-14	M22X1.5	1"-14	33.50	49.00	33.50	12.29	12.00	12.29	27	27
DAOF5L525-1227	1-3/16"-12	M27X2	1-3/16"-12	37.50	55.50	37.50	15.47	15.00	15.47	30	32
DAOF5L525-1233	1-3/16"-12	M33X2	1-3/16"-12	41.50	60.00	41.50	15.50	20.00	15.50	36	41
DAOF5L525-1633	1-7/16"-12	M33X2	1-7/16"-12	42.00	60.00	42.00	20.60	20.00	20.60	36	41
DAOF5L525-2033	1-11/16"-12	M33X2	1-11/16"-12	44.70	62.50	44.70	26.00	20.00	26.00	41	41
DAOF5L525-2448	2"-12	M48X2	2"-12	47.90	66.00	47.90	32.00	32.00	32.00	48	55

DAOF5L24T

Run Tee Bulkhead Connector ORFS Male - ORFS Male

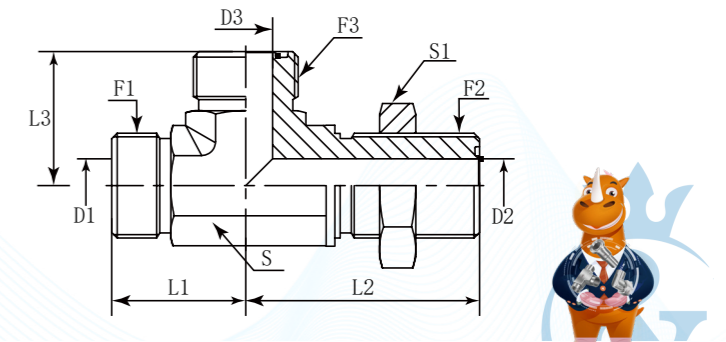
D	A	OF	5	L	24	T
Company	Product Range	Thread Types	Connection Type	Adaptor Structure	Thread Types	Connection Type
DME	Adaptor	ORFS UNF	Male	Run Tee	ORFS UNF	Bulkhead Male

German Technology Equipment

SHIELD FLEX

New-Standard

- DME&JDE Code: **DAOF5L24T**
- Product Type: **Hydraulic adaptor**
- Standard: **ORFS**
- Structure: **Run Tee**
- Connection Type: **Male x Male x Male**
- Thread Types: **UNF x UNF x UNF**
- Other Features: **Bulkhead**



PART NUMBER	F1 (Thread)	F2 (Thread)	F3 (Thread)	L1	L2	L3	D1	D2	D3	S	S1	Hex
#	UNF	UNF	UNF	mm	mm	mm	mm	mm	mm	-	-	-
DAOF5L24T-0404	9/16"-18	9/16"-18	9/16"-18	22.60	47.00	22.60	4.37	4.37	4.37	14 mm	22 mm	Metric
DAOF5L24T-0404IN	9/16"-18	9/16"-18	9/16"-18	22.60	47.00	22.60	4.37	4.37	4.37	9/16"	13/16"	Imperial
DAOF5L24T-0606	11/16"-16	11/16"-16	11/16"-16	26.00	52.00	26.00	6.71	6.71	6.71	19 mm	27 mm	Metric
DAOF5L24T-0606IN	11/16"-16	11/16"-16	11/16"-16	26.00	52.00	26.00	6.71	6.71	6.71	3/4"	1"	Imperial
DAOF5L24T-0808	13/16"-16	13/16"-16	13/16"-16	29.00	55.40	29.00	9.60	9.60	9.60	19 mm	30 mm	Metric
DAOF5L24T-0808IN	13/16"-16	13/16"-16	13/16"-16	29.00	55.40	29.00	9.60	9.60	9.60	3/4"	1-1/8"	Imperial
DAOF5L24T-1010	1"-14	1"-14	1"-14	34.50	63.00	34.50	12.29	12.29	12.29	27 mm	36 mm	Metric
DAOF5L24T-1010IN	1"-14	1"-14	1"-14	34.50	63.00	34.50	12.29	12.29	12.29	1-1/16"	1-5/16"	Imperial
DAOF5L24T-1212	1-3/16"-12	1-3/16"-12	1-3/16"-12	38.60	67.30	38.60	15.47	15.47	15.47	30 mm	41 mm	Metric
DAOF5L24T-1212IN	1-3/16"-12	1-3/16"-12	1-3/16"-12	38.60	67.30	38.60	15.47	15.47	15.47	1-3/16"	1-1/2"	Imperial
DAOF5L24T-1616	1-7/16"-12	1-7/16"-12	1-7/16"-12	42.40	71.20	42.40	20.60	20.60	20.60	36 mm	46 mm	Metric
DAOF5L24T-1616IN	1-7/16"-12	1-7/16"-12	1-7/16"-12	42.40	71.20	42.40	20.60	20.60	20.60	1-7/16"	1-3/4"	Imperial
DAOF5L24T-2020	1-11/16"-12	1-11/16"-12	1-11/16"-12	45.50	75.40	45.50	26.00	26.00	26.00	41 mm	50 mm	Metric
DAOF5L24T-2020IN	1-11/16"-12	1-11/16"-12	1-11/16"-12	45.50	75.40	45.50	26.00	26.00	26.00	1-5/8"	2"	Imperial
DAOF5L24T-2424	2"-12	2"-12	2"-12	49.50	79.50	49.50	32.00	32.00	32.00	50 mm	60 mm	Metric
DAOF5L24T-2424IN	2"-12	2"-12	2"-12	49.50	79.50	49.50	32.00	32.00	32.00	1-7/8"	2-3/8"	Imperial



DAOF3L245

Run Tee ORFS Swivel Female - ORFS Male

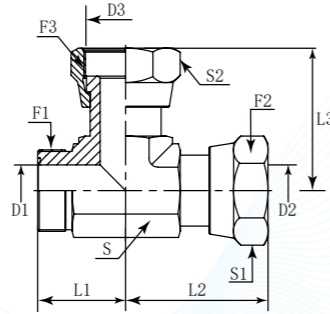
D	A	OF	3	L	24	5
Company	Product Range	Thread Types	Connection Type	Adaptor Structure	Thread Types	Connection Type
DME	Adaptor	ORFS UNF	Swivel Female	Run Tee	ORFS UNF	Male + O Ring

German Technology Equipment

SHIELD FLEX

New-Standard

- DME&JDE Code:** DAOF3L245
- Product Type:** Hydraulic adaptor
- Standard:** ORFS
- Structure:** Run Tee
- Connection Type:** Male x Swivel Female x Swivel Female
- Thread Types:** UNF x UNF x UNF
- Sealing Method:** O Ring



PART NUMBER	F1 (Thread)	F2 (Thread)	F3 (Thread)	D1	D2	D3	L1	L2	L3	S	S1	S2	Hex
#	UNF	UNF	UNF	mm	mm	mm	mm	mm	mm	-	-	-	-
DAOF3L245-0404	9/16"-18	9/16"-18	9/16"-18	4.37	4.19	4.19	21.60	34.60	34.60	14 mm	17 mm	17 mm	Metric
DAOF3L245-0404IN	9/16"-18	9/16"-18	9/16"-18	4.37	4.19	4.19	21.60	34.60	34.60	9/16"	11/16"	11/16"	Imperial
DAOF3L245-0606	11/16"-16	11/16"-16	11/16"-16	6.71	6.71	6.71	24.90	38.70	38.70	19 mm	22 mm	22 mm	Metric
DAOF3L245-0606IN	11/16"-16	11/16"-16	11/16"-16	6.71	6.71	6.71	24.90	38.70	38.70	3/4"	7/8"	7/8"	Imperial
DAOF3L245-0808	13/16"-16	13/16"-16	13/16"-16	9.60	9.09	9.09	27.90	49.00	49.00	19 mm	24 mm	24 mm	Metric
DAOF3L245-0808IN	13/16"-16	13/16"-16	13/16"-16	9.60	9.09	9.09	27.90	49.00	49.00	3/4"	15/16"	15/16"	Imperial
DAOF3L245-1010	1"-14	1"-14	1"-14	12.29	11.51	11.51	33.27	54.30	54.30	27 mm	30 mm	30 mm	Metric
DAOF3L245-1010IN	1"-14	1"-14	1"-14	12.29	11.51	11.51	33.27	54.30	54.30	1-1/16"	1-1/8"	1-1/8"	Imperial
DAOF3L245-1212	1-3/16"-12	1-3/16"-12	1-3/16"-12	15.47	13.89	13.89	37.30	60.80	60.80	32 mm	36 mm	36 mm	Metric
DAOF3L245-1212IN	1-3/16"-12	1-3/16"-12	1-3/16"-12	15.47	13.89	13.89	37.30	60.80	60.80	1-1/4"	1-3/8"	1-3/8"	Imperial
DAOF3L245-1616	1-7/16"-12	1-7/16"-12	1-7/16"-12	20.60	19.89	19.89	41.70	68.20	68.20	36 mm	41 mm	41 mm	Metric
DAOF3L245-1616IN	1-7/16"-12	1-7/16"-12	1-7/16"-12	20.60	19.89	19.89	41.70	68.20	68.20	1-3/8"	1-5/8"	1-5/8"	Imperial

DAOF5X245

Cross Connector ORFS Male

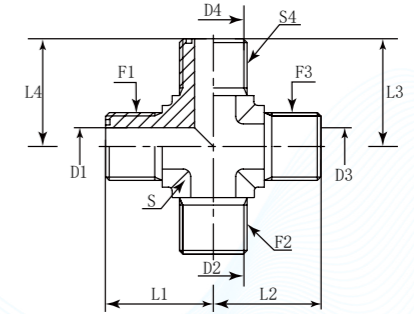
D	A	OF	5	X	24	5
Company	Product Range	Thread Types	Connection Type	Adaptor Structure	Thread Types	Connection Type
DME	Adaptor	ORFS UNF	Male	Cross	ORFS UNF	Male

German Technology Equipment

SHIELD FLEX

New-Standard

- DME&JDE Code:** DAOF5X245
- Product Type:** Hydraulic adaptor
- Standard:** ORFS
- Structure:** Cross
- Connection Type:** Male x Male x Male x Male
- Thread Types:** UNF x UNF x UNF x UNF



PART NUMBER	F1 (Thread)	F2 (Thread)	F3 (Thread)	F4 (Thread)	L1	L2	L3	L4	D1	D2	D3	D4	S	Hex
#	UNF	UNF	UNF	UNF	mm	mm	mm	mm	mm	mm	mm	mm	-	-
DAOF5X245-0404	9/16"-18	9/16"-18	9/16"-18	9/16"-18	21.60	21.60	21.60	21.60	4.50	4.50	4.50	4.50	14 mm	Metric
DAOF5X245-0404IN	9/16"-18	9/16"-18	9/16"-18	9/16"-18	21.60	21.60	21.60	21.60	4.50	4.50	4.50	4.50	9/16"	Imperial
DAOF5X245-0606	11/16"-16	11/16"-16	11/16"-16	11/16"-16	24.90	24.90	24.90	24.90	6.50	6.50	6.50	6.50	19 mm	Metric
DAOF5X245-0606IN	11/16"-16	11/16"-16	11/16"-16	11/16"-16	24.90	24.90	24.90	24.90	6.50	6.50	6.50	6.50	3/4"	Imperial
DAOF5X245-0808	13/16"-16	13/16"-16	13/16"-16	13/16"-16	28.00	28.00	28.00	28.00	9.60	9.60	9.60	9.60	19 mm	Metric
DAOF5X245-0808IN	13/16"-16	13/16"-16	13/16"-16	13/16"-16	28.00	28.00	28.00	28.00	9.60	9.60	9.60	9.60	3/4"	Imperial
DAOF5X245-1010	1"-14	1"-14	1"-14	1"-14	33.30	33.30	33.30	33.30	12.29	12.29	12.29	12.29	27 mm	Metric
DAOF5X245-1010IN	1"-14	1"-14	1"-14	1"-14	33.30	33.30	33.30	33.30	12.29	12.29	12.29	12.29	1-1/8"	Imperial
DAOF5X245-1212	1-3/16"-12	1-3/16"-12	1-3/16"-12	1-3/16"-12	37.50	37.50	37.50	37.50	15.50	15.50	15.50	15.50	30 mm	Metric
DAOF5X245-1212IN	1-3/16"-12	1-3/16"-12	1-3/16"-12	1-3/16"-12	37.50	37.50	37.50	37.50	15.50	15.50	15.50	15.50	1-3/16"	Imperial
DAOF5X245-1616	1-7/16"-12	1-7/16"-12	1-7/16"-12	1-7/16"-12	41.50	41.50	41.50	41.50	20.50	20.50	20.50	20.50	36 mm	Metric
DAOF5X245-1616IN	1-7/16"-12	1-7/16"-12	1-7/16"-12	1-7/16"-12	41.50	41.50	41.50	41.50	20.50	20.50	20.50	20.50	1-3/8"	Imperial
DAOF5X245-2020	1-11/16"-12	1-11/16"-12	1-11/16"-12	1-11/16"-12	44.70	44.70	44.70	44.70	26.00	26.00	26.00	26.00	41 mm	Metric
DAOF5X245-2020IN	1-11/16"-12	1-11/16"-12	1-11/16"-12	1-11/16"-12	44.70	44.70	44.70	44.70	26.00	26.00	26.00	26.00	1-5/8"	Imperial
DAOF5X245-2424	2"-12	2"-12	2"-12	2"-12	48.80	48.80	48.80	48.80	32.00	32.00	32.00	32.00	48 mm	Metric
DAOF5X245-2424IN	2"-12	2"-12	2"-12	2"-12	48.80	48.80	48.80	48.80	32.00	32.00	32.00	32.00	1-7/8"	Imperial





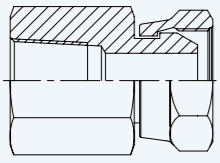
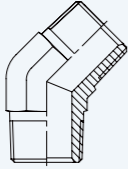
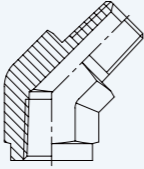
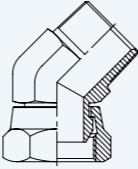
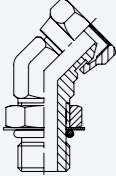
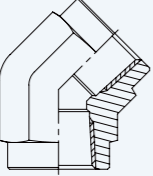
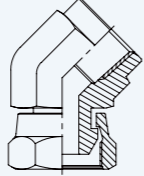
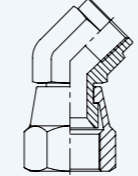
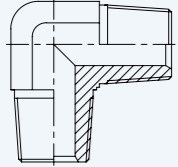
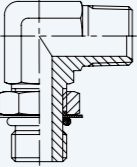
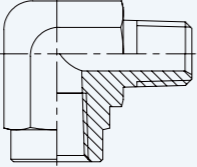
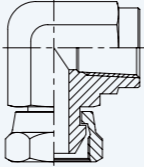
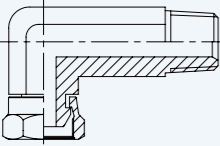
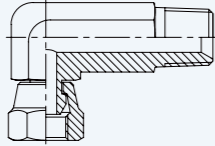
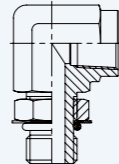
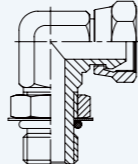
Hydraulic Adaptors

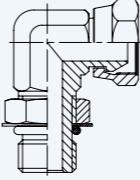
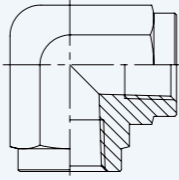
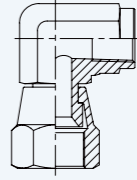
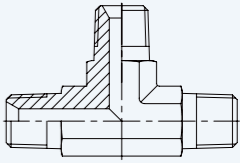
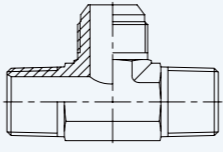
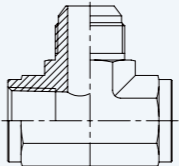
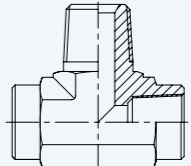
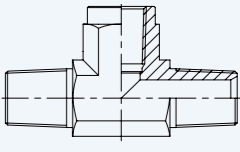
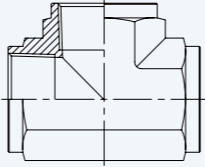
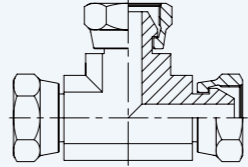
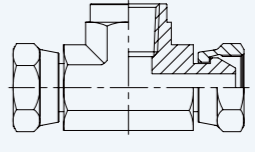
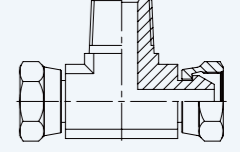
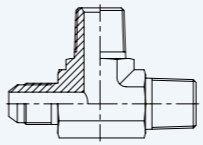
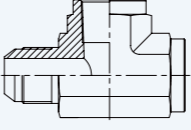
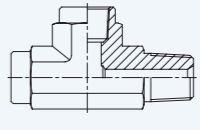
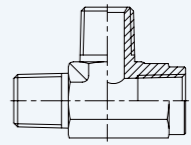
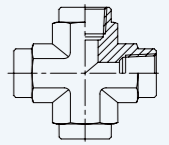
NPTF »



<p>DANPM128M P497</p> <p>Straight Connector NPTF Male 60° - NPTF Male 60°</p>	<p>DANPM1061 P500</p> <p>Straight Connector NPTF Male 60° - BSPP 60° Male with ED Ring</p>	<p>DANPM1305 P501</p> <p>Straight Connector NPTF Male 60° - SAE Male O Ring</p>	<p>DANPM1000 P503</p> <p>NPTF Male Plug</p>
<p>DANPM128FR P504</p> <p>Straight Bushing Connector NPTF Male 60° - NPTF Female</p>	<p>DANPM128F P506</p> <p>Straight Connector NPTF Male 60° - NPTF Female</p>	<p>DANPM105F P508</p> <p>Straight Connector NPTF Male 60° - BSPP Female</p>	<p>DANPM1081 P509</p> <p>Straight Connector NPTF Male 60° - BSPP Swivel Female 60° Cone</p>
<p>DANPM1091 P510</p> <p>Straight Connector NPTF Male 60° - NPSM Swivel Female 60°</p>	<p>DANPF152Q P512</p> <p>Straight Connector NPTF Female - Metric Male 24° + O Ring + Retaining Ring</p>	<p>DANPF1305 P513</p> <p>Straight Connector NPTF Female - SAE Male O Ring</p>	<p>DANPF106Q P516</p> <p>Straight Connector NPTF Male 60° - BSPP Swivel Female 60° Cone</p>
<p>DANPS1305 P517</p> <p>Straight Connector NPSM Swivel Female 60° - SAE Male + O Ring</p>	<p>DANPF128F P519</p> <p>Hexagon Straight Coupling NPTF Female - NPTF Female</p>	<p>DANP31000 P521</p> <p>Hexagon Socket Plug NPTF Male</p>	<p>DANP21000-HHP P522</p> <p>Hexagon Socket Plug NPTF Male</p>



<p>DANPF1091 P523</p>  <p>Straight Connector NPTF Female - NPSM Swivel Female 60°</p>	<p>DANPM428M P525</p>  <p>45° Elbow Connector NPTF Male 60° - NPTF Male 60°</p>	<p>DANPM428F P526</p>  <p>45° Elbow Connector NPTF Male 60° - NPTF Female</p>	<p>DANPM4091 P527</p>  <p>45° Elbow Connector NPTF Male - NPSM Swivel Female 60°</p>
<p>DANPS4305 P528</p>  <p>45° Adjustable Elbow NPSM Swivel Female 60° - SAE Male O Ring</p>	<p>DANPF428F P531</p>  <p>45° Elbow Connector NPTF Female - NPTF Female</p>	<p>DANPF4091 P532</p>  <p>45° Elbow Connector NPTF Female - NPSM Swivel Female 60°</p>	<p>DANPF4251 P533</p>  <p>45° Elbow Connector NPTF Female - JIC Swivel Female 74°</p>
<p>DANPM928M P534</p>  <p>90° Elbow Connector NPTF Male 60° - NPTF Male 60°</p>	<p>DANPM9305 P535</p>  <p>90° Adjustable Elbow NPTF Male 60° - SAE Male O Ring</p>	<p>DANPM928F P536</p>  <p>90° Elbow Connector NPTF Male 60° - NPTF Female</p>	<p>DANPF9091 P538</p>  <p>90° Elbow Connector NPTF Male - NPSM Swivel Female 60° Cone</p>
<p>DANPP9091 P539</p>  <p>90° Long Elbow Connector NPTF Male 60° - NPSM Swivel Female 60° Cone</p>	<p>DANPM9091-LL P540</p>  <p>90° X-Long Elbow Connector NPTF Male 60° - NPSM Swivel Female 60° Cone</p>	<p>DANPF9305 P541</p>  <p>90° Adjustable Elbow NPTF Female - SAE Male + O Ring</p>	<p>DANPS9305 P542</p>  <p>90° Adjustable Elbow NPSM Swivel Female 60° - SAE Male O Ring</p>

<p>DANPS906Q P544</p>  <p>90° Adjustable Elbow NPSM Swivel Female 60° - BSPP Male + O Ring + Retaining Ring</p>	<p>DANPF928F P545</p>  <p>90° Elbow Connector NPTF Female - NPTF Female</p>	<p>DANPF9251 P546</p>  <p>90° Elbow Connector NPTF Female - JIC Swivel Female 74°</p>	<p>DANPMT28M P547</p>  <p>Branch Tee Connector NPTF Male 60° - NPTF Male 60°</p>
<p>DANPMT25M P548</p>  <p>Branch Tee Connector NPTF Male 60° - JIC Male 74°</p>	<p>DANPFT25M P549</p>  <p>Branch Tee Connector NPTF Female - JIC Male 74°</p>	<p>DANPFT28M P550</p>  <p>Branch Tee Connector NPTF Female - NPTF Male 60°</p>	<p>DANPMT28F P551</p>  <p>Branch Tee Connector NPTF Male 60° - NPTF Female</p>
<p>DANPFT28F P552</p>  <p>Branch Tee Connector NPTF Female - NPTF Female</p>	<p>DANPST091 P553</p>  <p>Branch Tee Connector NPSM Swivel Female 60° - NPSM Swivel Female 60°</p>	<p>DANPST28F P554</p>  <p>Branch Tee Connector NPSM Swivel Female 60° - NPTF Female</p>	<p>DANPST28M P555</p>  <p>Branch Tee Connector NPSM Swivel Female 60° - NPTF Male 60°</p>
<p>DANPML25M P556</p>  <p>Run Tee Connector NPTF Male 60° - JIC Male 74°</p>	<p>DANPFL25M P557</p>  <p>Run Tee Connector NPTF Male 60° - JIC Male 74°</p>	<p>DANPFL28M P558</p>  <p>Run Tee Connector NPTF Female - NPTF Male 60°</p>	<p>DANPML28F P559</p>  <p>Run Tee Connector NPTF Male 60° - NPTF Female</p>
<p>DANPFX28F P560</p>  <p>Run Tee Connector NPTF Male 60° - NPTF Female</p>			

DANPM128M

Straight Connector NPTF Male 60° - NPTF Male 60°

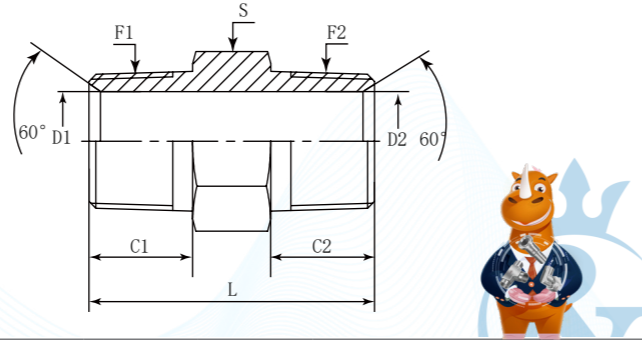
D	A	NP	M	1	28	M
Company	Product Range	Thread Types	Connection Type	Adaptor Structure	Thread Types	Connection Type
DME	Adaptor	NPTF	Male	Straight	NPTF	Male

German Technology Equipment

SHIELD FLEX

New-Standard

- DME&JDE Code:** DANPM128M
- Product Type:** Hydraulic Adaptor
- Standard:** NPTF
- Structure:** Straight
- Connection Type:** Male x Male
- Thread Types:** NPTF 60° x NPTF 60°



PART NUMBER	F1 (Thread)	F2 (Thread)	C1	C2	D1	D2	L	S	Hex
#	NPTF	NPTF	mm	mm	mm	mm	mm	-	-
DANPM128M-0202	1/8"-27	1/8"-27	9.65	9.65	4.78	4.78	26.90	11 mm	Metric
DANPM128M-0202IN	1/8"-27	1/8"-27	9.65	9.65	4.78	4.78	26.90	7/16"	Imperial
DANPM128M-0402	1/4"-18	1/8"-27	14.22	9.65	7.14	4.78	32.00	17 mm	Metric
DANPM128M-0404	1/4"-18	1/4"-18	14.22	14.22	7.14	7.14	36.84	17 mm	Metric
DANPM128M-0402IN	1/4"-18	1/8"-27	14.22	9.65	7.14	4.78	32.00	5/8"	Imperial
DANPM128M-0404IN	1/4"-18	1/4"-18	14.22	14.22	7.14	7.14	36.84	5/8"	Imperial
DANPM128M-0602	3/8"-18	1/8"-27	14.22	9.65	10.31	4.78	32.00	19 mm	Metric
DANPM128M-0604	3/8"-18	1/4"-18	14.22	14.22	10.31	7.14	36.83	19 mm	Metric
DANPM128M-0606	3/8"-18	3/8"-18	14.22	14.22	10.31	10.31	36.26	19 mm	Metric
DANPM128M-0602IN	3/8"-18	1/8"-27	14.22	9.65	10.31	4.78	32.00	3/4"	Imperial
DANPM128M-0604IN	3/8"-18	1/4"-18	14.22	14.22	10.31	7.14	36.83	3/4"	Imperial
DANPM128M-0606IN	3/8"-18	3/8"-18	14.22	14.22	10.31	10.31	36.26	3/4"	Imperial
DANPM128M-0802	1/2"-14	1/8"-27	19.05	9.65	13.49	4.78	38.60	22 mm	Metric
DANPM128M-0804	1/2"-14	1/4"-18	19.05	14.22	13.49	7.14	43.20	22 mm	Metric
DANPM128M-0806	1/2"-14	3/8"-18	19.05	14.22	13.49	10.31	43.20	22 mm	Metric

DANPM128M-0808	1/2"-14	1/2"-14	19.05	19.05	13.49	13.49	48.00	22 mm	Metric
DANPM128M-0802IN	1/2"-14	1/8"-27	19.05	9.65	13.49	4.78	38.60	7/8"	Imperial
DANPM128M-0804IN	1/2"-14	1/4"-18	19.05	14.22	13.49	7.14	43.20	7/8"	Imperial
DANPM128M-0806IN	1/2"-14	3/8"-18	19.05	14.22	13.49	10.31	43.20	7/8"	Imperial
DANPM128M-0808IN	1/2"-14	1/2"-14	19.05	19.05	13.49	13.49	48.00	7/8"	Imperial
DANPM128M-1204	3/4"-14	1/4"-18	19.05	14.22	18.26	7.14	45.00	27 mm	Metric
DANPM128M-1206	3/4"-14	3/8"-18	19.05	14.22	18.26	10.31	45.00	27 mm	Metric
DANPM128M-1208	3/4"-14	1/2"-14	19.05	19.05	18.26	13.49	49.80	27 mm	Metric
DANPM128M-1212	3/4"-14	3/4"-14	19.05	19.05	18.26	18.26	49.78	27 mm	Metric
DANPM128M-1204IN	3/4"-14	1/4"-18	19.05	14.22	18.26	7.14	45.00	1-1/8"	Imperial
DANPM128M-1206IN	3/4"-14	3/8"-18	19.05	14.22	18.26	10.31	45.00	1-1/8"	Imperial
DANPM128M-1208IN	3/4"-14	1/2"-14	19.05	19.05	18.26	13.49	49.80	1-1/8"	Imperial
DANPM128M-1212IN	3/4"-14	3/4"-14	19.05	19.05	18.26	18.26	49.78	1-1/8"	Imperial
DANPM128M-1604	1"-11-1/2	1/4"-18	23.88	14.22	23.83	7.14	49.80	36 mm	Metric
DANPM128M-1606	1"-11-1/2	3/8"-18	23.88	14.22	23.83	10.31	49.80	36 mm	Metric
DANPM128M-1608	1"-11-1/2	1/2"-14	23.88	19.05	23.83	13.49	53.09	36 mm	Metric
DANPM128M-1612	1"-11-1/2	3/4"-14	23.88	19.05	23.83	18.26	54.61	36 mm	Metric
DANPM128M-1616	1"-11-1/2	1"-11-1/2	23.88	23.88	23.83	23.83	59.44	36 mm	Metric
DANPM128M-1604IN	1"-11-1/2	1/4"-18	23.88	14.22	23.83	7.14	49.80	1-3/8"	Imperial
DANPM128M-1606IN	1"-11-1/2	3/8"-18	23.88	14.22	23.83	10.31	49.80	1-3/8"	Imperial
DANPM128M-1608IN	1"-11-1/2	1/2"-14	23.88	19.05	23.83	13.49	53.09	1-3/8"	Imperial
DANPM128M-1612IN	1"-11-1/2	3/4"-14	23.88	19.05	23.83	18.26	54.61	1-3/8"	Imperial
DANPM128M-1616IN	1"-11-1/2	1"-11-1/2	23.88	23.88	23.83	23.83	59.44	1-3/8"	Imperial
DANPM128M-2008	1-1/4"-11-1/2	1/2"-14	24.64	19.05	31.75	13.49	57.50	46 mm	Metric
DANPM128M-2012	1-1/4"-11-1/2	3/4"-14	24.64	19.05	31.75	18.26	57.40	46 mm	Metric
DANPM128M-2016	1-1/4"-11-1/2	1"-11-1/2	24.64	23.88	31.75	23.83	62.30	46 mm	Metric
DANPM128M-2020	1-1/4"-11-1/2	1-1/4"-11-1/2	24.64	24.64	31.75	31.75	63.00	46 mm	Metric



DANPM128M-2008IN	1-1/4"-11-1/2	1/2"-14	24.64	19.05	31.75	13.49	57.50	1-3/4"	Imperial
DANPM128M-2012IN	1-1/4"-11-1/2	3/4"-14	24.64	19.05	31.75	18.26	57.40	1-3/4"	Imperial
DANPM128M-2016IN	1-1/4"-11-1/2	1"-11-1/2	24.64	23.88	31.75	23.83	62.30	1-3/4"	Imperial
DANPM128M-2020IN	1-1/4"-11-1/2	1-1/4"-11-1/2	24.64	24.64	31.75	31.75	63.00	1-3/4"	Imperial
DANPM128M-2412	1-1/2"-11-1/2	3/4"-14	25.40	19.05	38.10	18.26	60.45	50 mm	Metric
DANPM128M-2416	1-1/2"-11-1/2	1"-11-1/2	25.40	23.88	38.10	23.83	64.80	50 mm	Metric
DANPM128M-2420	1-1/2"-11-1/2	1-1/4"-11-1/2	25.40	24.64	38.10	31.75	66.29	50 mm	Metric
DANPM128M-2424	1-1/2"-11-1/2	1-1/2"-11-1/2	25.40	25.40	38.10	38.10	66.30	50 mm	Metric
DANPM128M-2412IN	1-1/2"-11-1/2	3/4"-14	25.40	19.05	38.10	18.26	60.45	2"	Imperial
DANPM128M-2416IN	1-1/2"-11-1/2	1"-11-1/2	25.40	23.88	38.10	23.83	64.80	2"	Imperial
DANPM128M-2420IN	1-1/2"-11-1/2	1-1/4"-11-1/2	25.40	24.64	38.10	31.75	66.29	2"	Imperial
DANPM128M-2424IN	1-1/2"-11-1/2	1-1/2"-11-1/2	25.40	25.40	38.10	38.10	66.30	2"	Imperial
DANPM128M-3212	2"-11-1/2	3/4"-14	26.16	19.05	49.23	18.26	64.50	65 mm	Metric
DANPM128M-3216	2"-11-1/2	1"-11-1/2	26.16	23.88	49.23	23.83	69.30	65 mm	Metric
DANPM128M-3220	2"-11-1/2	1-1/4"-11-1/2	26.16	24.64	49.23	31.75	70.10	65 mm	Metric
DANPM128M-3224	2"-11-1/2	1-1/2"-11-1/2	26.16	25.40	49.23	38.10	70.87	65 mm	Metric
DANPM128M-3232	2"-11-1/2	2"-11-1/2	26.20	26.20	49.23	49.23	71.63	65 mm	Metric
DANPM128M-3212IN	2"-11-1/2	3/4"-14	26.16	19.05	49.23	18.26	64.50	2-1/2"	Imperial
DANPM128M-3216IN	2"-11-1/2	1"-11-1/2	26.16	23.88	49.23	23.83	69.30	2-1/2"	Imperial
DANPM128M-3220IN	2"-11-1/2	1-1/4"-11-1/2	26.16	24.64	49.23	31.75	70.10	2-1/2"	Imperial
DANPM128M-3224IN	2"-11-1/2	1-1/2"-11-1/2	26.16	25.40	49.23	38.10	70.87	2-1/2"	Imperial
DANPM128M-3232IN	2"-11-1/2	2"-11-1/2	26.20	26.20	49.23	49.23	71.63	2-1/2"	Imperial
DANPM128M-4040	2-1/2"-8	2-1/2"-8	38.86	38.86	59.00	59.00	96.40	85 mm	Metric
DANPM128M-4040IN	2-1/2"-8	2-1/2"-8	38.86	38.86	59.00	59.00	96.40	3-1/4"	Imperial
DANPM128M-4848	3"-8	3"-8	41.40	41.40	70.64	70.64	103.50	90 mm	Metric
DANPM128M-4848IN	3"-8	3"-8	41.40	41.40	70.64	70.64	103.50	3-9/16"	Imperial

DANPM1061

Straight Connector NPTF Male 60° - BSPP 60° Male with ED Ring

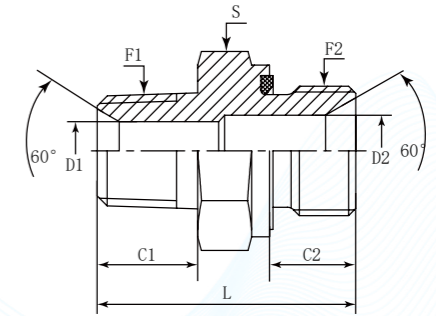
D	A	NP	M	1	061
Company	Product Range	Thread Types	Connection Type	Adaptor Structure	Connection Type
DME	Adaptor	NPTF	Male	Straight	BSPP Male with ED Ring

German Technology Equipment

SHIELD FLEX

New-Standard

- DME&JDE Code:** DANPM1061
- Product Type:** Hydraulic Adaptor
- Standard:** NPTF
- Structure:** Straight
- Connection Type:** Male x Male
- Thread Types:** NPTF 60° x BSPP 60°
- Sealing Method:** ED Ring



PART NUMBER	F1 (Thread)	F2 (Thread)	C1	C2	D1	D2	L	S
#	NPTF	BSPP	mm	mm	mm	mm	mm	mm
DANPM1061-0404	1/4"-18	1/4"-19	14.22	12.00	6.00	6.00	35.50	19.00
DANPM1061-0606	3/8"-18	3/8"-19	14.22	12.00	10.31	7.90	36.00	22.00
DANPM1061-0808	1/2"-14	1/2"-14	19.05	14.00	13.49	11.10	43.00	27.00
DANPM1061-1212	3/4"-14	3/4"-14	19.05	16.00	20.65	17.50	50.00	32.00

DANPM1305

Straight Connector NPTF Male 60° - SAE Male O Ring

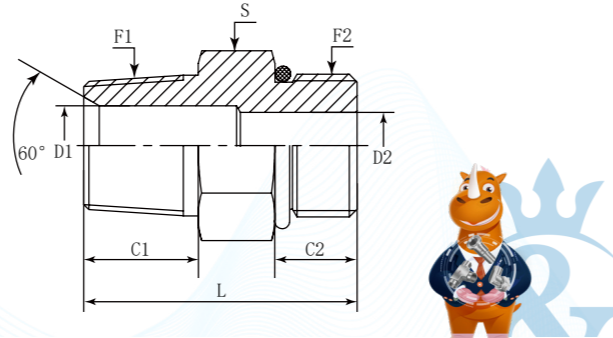
D	A	NP	M	1	30	5
Company	Product Range	Thread Types	Connection Type	Adaptor Structure	Thread Types	Connection Type
DME	Adaptor	NPTF	Male	Straight	SAE UNF	Male O Ring

German Technology Equipment

SHIELD FLEX

New-Standard

- DME&JDE Code: **DANPM1305**
- Product Type: **Hydraulic Adaptor**
- Standard: **NPTF**
- Structure: **Straight**
- Connection Type: **Male x Male**
- Thread Types: **NPTF 60° x SAE UNF**
- Sealing Method: **O Ring**



PART NUMBER	F1 (Thread)	F2 (Thread)	C1	C2	D1	D2	L	S	Hex
#	NPTF	UNF	mm	mm	mm	mm	mm	-	-
DANPM1305-0202	1/8"-27	5/16"-24	9.65	7.54	4.78	1.57	25.65	11 mm	Metric
DANPM1305-0203	1/8"-27	3/8"-24	9.65	7.54	4.78	3.18	25.50	12 mm	Metric
DANPM1305-0204	1/8"-27	7/16"-20	9.65	9.14	4.37	4.37	26.70	14 mm	Metric
DANPM1305-0205	1/8"-27	1/2"-20	9.65	9.14	4.78	4.78	26.90	17 mm	Metric
DANPM1305-0206	1/8"-27	9/16"-18	9.65	9.93	4.78	7.54	28.70	17 mm	Metric
DANPM1305-0202IN	1/8"-27	5/16"-24	9.65	7.54	4.78	1.57	25.65	7/16"	Imperial
DANPM1305-0203IN	1/8"-27	3/8"-24	9.65	7.54	4.78	3.18	25.50	1/2"	Imperial
DANPM1305-0204IN	1/8"-27	7/16"-20	9.65	9.14	4.37	4.37	26.70	9/16"	Imperial
DANPM1305-0205IN	1/8"-27	1/2"-20	9.65	9.14	4.78	4.78	26.90	5/8"	Imperial
DANPM1305-0206IN	1/8"-27	9/16"-18	9.65	9.93	4.78	7.54	28.70	11/16"	Imperial
DANPM1305-0403	1/4"-18	3/8"-24	14.22	7.54	7.14	3.18	29.70	14 mm	Metric
DANPM1305-0404	1/4"-18	7/16"-20	14.22	9.14	7.14	4.37	31.30	14 mm	Metric
DANPM1305-0405	1/4"-18	1/2"-20	14.22	9.14	5.94	5.94	31.20	17 mm	Metric
DANPM1305-0406	1/4"-18	9/16"-18	14.22	9.93	7.14	7.54	32.80	17 mm	Metric
DANPM1305-0408	1/4"-18	3/4"-16	14.22	11.13	7.14	9.93	34.54	22 mm	Metric
DANPM1305-0410	1/4"-18	7/8"-14	14.22	12.70	7.14	12.29	36.83	27 mm	Metric
DANPM1305-0403IN	1/4"-18	3/8"-24	14.22	7.54	7.14	3.18	29.70	9/16"	Imperial
DANPM1305-0404IN	1/4"-18	7/16"-20	14.22	9.14	7.14	4.37	31.30	9/16"	Imperial
DANPM1305-0405IN	1/4"-18	1/2"-20	14.22	9.14	5.94	5.94	31.20	5/8"	Imperial
DANPM1305-0406IN	1/4"-18	9/16"-18	14.22	9.93	7.14	7.54	32.80	11/16"	Imperial
DANPM1305-0408IN	1/4"-18	3/4"-16	14.22	11.13	7.14	9.93	34.54	7/8"	Imperial
DANPM1305-0410IN	1/4"-18	7/8"-14	14.22	12.70	7.14	12.29	36.83	1"	Imperial
DANPM1305-0604	3/8"-18	7/16"-20	14.22	9.14	10.31	4.37	33.30	19 mm	Metric
DANPM1305-0606	3/8"-18	9/16"-18	14.22	9.93	10.31	7.54	32.00	22 mm	Metric
DANPM1305-0608	3/8"-18	3/4"-16	14.22	11.13	9.93	9.93	35.30	22 mm	Metric
DANPM1305-0610	3/8"-18	7/8"-14	14.22	12.70	10.31	12.29	38.10	27 mm	Metric
DANPM1305-0612	3/8"-18	1-1/16"-12	14.22	15.09	10.31	15.47	41.21	32 mm	Metric
DANPM1305-0604IN	3/8"-18	7/16"-20	14.22	9.14	10.31	4.37	33.30	3/4"	Imperial

DANPM1305-0606IN	3/8"-18	9/16"-18	14.22	9.93	10.31	7.54	32.00	13/16"	Imperial
DANPM1305-0608IN	3/8"-18	3/4"-16	14.22	11.13	9.93	9.93	35.30	7/8"	Imperial
DANPM1305-0610IN	3/8"-18	7/8"-14	14.22	12.70	10.31	12.29	38.10	1"	Imperial
DANPM1305-0612IN	3/8"-18	1-1/16"-12	14.22	15.09	10.31	15.47	41.21	1-1/4"	Imperial
DANPM1305-0806	1/2"-14	9/16"-18	19.05	9.93	13.49	7.54	39.10	22 mm	Metric
DANPM1305-0808	1/2"-14	3/4"-16	19.05	11.13	13.49	9.93	38.81	22 mm	Metric
DANPM1305-0810	1/2"-14	7/8"-14	19.05	12.70	13.49	12.29	41.91	27 mm	Metric
DANPM1305-0812	1/2"-14	1-1/16"-12	19.05	15.09	13.49	15.47	46.74	32 mm	Metric
DANPM1305-0816	1/2"-14	1-5/16"-12	19.05	15.09	13.49	21.44	46.84	41 mm	Metric
DANPM1305-0806IN	1/2"-14	9/16"-18	19.05	9.93	13.49	7.54	39.10	7/8"	Imperial
DANPM1305-0808IN	1/2"-14	3/4"-16	19.05	11.13	13.49	9.93	38.81	7/8"	Imperial
DANPM1305-0810IN	1/2"-14	7/8"-14	19.05	12.70	13.49	12.29	41.91	1"	Imperial
DANPM1305-0812IN	1/2"-14	1-1/16"-12	19.05	15.09	13.49	15.47	46.74	1-1/4"	Imperial
DANPM1305-0816IN	1/2"-14	1-5/16"-12	19.05	15.09	13.49	21.44	46.84	1-1/2"	Imperial
DANPM1305-1204	3/4"-14	7/16"-20	19.05	9.14	18.26	4.37	40.50	27 mm	Metric
DANPM1305-1206	3/4"-14	9/16"-18	19.05	9.93	18.26	7.54	41.30	27 mm	Metric
DANPM1305-1208	3/4"-14	3/4"-16	19.05	11.13	18.26	9.93	41.50	27 mm	Metric
DANPM1305-1210	3/4"-14	7/8"-14	19.05	12.70	18.26	12.29	43.10	27 mm	Metric
DANPM1305-1212	3/4"-14	1-1/16"-12	19.05	15.09	18.26	15.47	43.94	32 mm	Metric
DANPM1305-1216	3/4"-14	1-5/16"-12	19.05	15.09	18.26	21.44	49.80	41 mm	Metric
DANPM1305-1220	3/4"-14	1-5/8"-12	19.05	15.09	18.26	27.38	50.00	50 mm	Metric
DANPM1305-1204IN	3/4"-14	7/16"-20	19.05	9.14	18.26	4.37	40.50	1-1/16"	Imperial
DANPM1305-1206IN	3/4"-14	9/16"-18	19.05	9.93	18.26	7.54	41.30	1-1/16"	Imperial
DANPM1305-1208IN	3/4"-14	3/4"-16	19.05	11.13	18.26	9.93	41.50	1-1/16"	Imperial
DANPM1305-1210IN	3/4"-14	7/8"-14	19.05	12.70	18.26	12.29	43.10	1-1/8"	Imperial
DANPM1305-1212IN	3/4"-14	1-1/16"-12	19.05	15.09	18.26	15.47	43.94	1-1/4"	Imperial
DANPM1305-1216IN	3/4"-14	1-5/16"-12	19.05	15.09	18.26	21.44	49.80	1-1/2"	Imperial
DANPM1305-1220IN	3/4"-14	1-5/8"-12	19.05	15.09	18.26	27.38	50.00	1-7/8"	Imperial
DANPM1305-1606	1"-11-1/2	9/16"-18	23.88	9.93	23.83	7.54	46.00	36 mm	Metric
DANPM1305-1608	1"-11-1/2	3/4"-16	23.88	11.13	23.83	9.93	47.00	36 mm	Metric
DANPM1305-1612	1"-11-1/2	1-1/16"-12	23.88	15.09	23.83	15.47	50.90	36 mm	Metric
DANPM1305-1614	1"-11-1/2	1-3/16"-12	23.88	15.09	23.83	18.26	45.20	36 mm	Metric
DANPM1305-1616	1"-11-1/2	1-5/16"-12	23.88	15.09	23.83	21.44	53.80	41 mm	Metric
DANPM1305-1620	1"-11-1/2	1-5/8"-12	23.88	15.09	23.83	27.38	54.66	50 mm	Metric
DANPM1305-1624	1"-11-1/2	1-7/8"-12	23.88	15.09	23.83	33.32	56.39	55 mm	Metric
DANPM1305-1606IN	1"-11-1/2	9/16"-18	23.88	9.93	23.83	7.54	46.00	1-3/8"	Imperial
DANPM1305-1608IN	1"-11-1/2	3/4"-16	23.88	11.13	23.83	9.93	47.00	1-3/8"	Imperial
DANPM1305-1612IN	1"-11-1/2	1-1/16"-12	23.88	15.09	23.83	15.47	50.90	1-3/8"	Imperial
DANPM1305-1614IN	1"-11-1/2	1-3/16"-12	23.88	15.09	23.83	18.26	45.20	1-3/8"	Imperial
DANPM1305-1616IN	1"-11-1/2	1-5/16"-12	23.88	15.09	23.83	21.44	53.80	1-1/2"	Imperial
DANPM1305-1620IN	1"-11-1/2	1-5/8"-12	23.88	15.09	23.83	27.38	54.66	1-7/8"	Imperial
DANPM1305-1624IN	1"-11-1/2	1-7/8"-12	23.88	15.09	23.83	33.32	56.39	2 1/8"	Imperial
DANPM1305-2016	1-1/4"-11-1/2	1-5/16"-12	24.64	15.09	31.75	21.44	56.80	46 mm	Metric
DANPM1305-2020	1-1/4"-11-1/2	1-5/8"-12	24.64	15.09	31.75	27.38	54.86	50 mm	Metric
DANPM1305-2016IN	1-1/4"-11-1/2	1-5/16"-12	24.64	15.09	31.75	21.44	56.80	1-3/4"	Imperial
DANPM1305-2020IN	1-1/4"-11-1/2	1-5/8"-12	24.64	15.09	31.75	27.38	54.86	1-7/8"	Imperial
DANPM1305-2420	1-1/2"-11-1/2	1-5/8"-12	25.40	15.09	38.10	27.38	60.96	50 mm	Metric
DANPM1305-2424	1-1/2"-11-1/2	1-7/8"-12	25.40	15.09	38.10	33.32	58.10	55 mm	Metric
DANPM1305-2420IN	1-1/2"-11-1/2	1-5/8"-12	25.40	15.09	38.10	27.38	60.96	2"	Imperial
DANPM1305-2424IN	1-1/2"-11-1/2	1-7/8"-12	25.40	15.09	38.10	33.32	58.10	2-1/8"	Imperial
DANPM1305-3232	2"-11-1/2	2-1/2"-12	26.16	15.09	49.23	45.24	63.00	70 mm	Metric
DANPM1305-3232IN	2"-11-1/2	2-1/2"-12	26.16	15.09	49.23	45.24	63.00	2-3/4"	Imperial



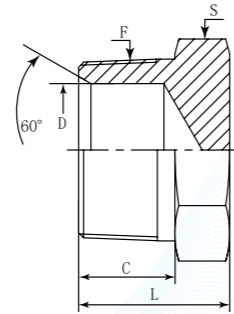
DANPM1000

NPTF Male Plug

D	A	NP	M	1	000
Company	Product Range	Thread Types	Connection Type	Adaptor Structure	Other Features
DME	Adaptor	NPTF	Male	Straight	Nut/Plug



DME&JDE Code:	DANPM1000
Product Type:	Hydraulic Adaptor
Standard:	NPTF
Connection Type:	Male
Thread Types:	NPTF
Other Features:	Nut/Plug



PART NUMBER	F (Thread)	C	D	L	S	Hex
#	NPTF	mm	mm	mm	-	-
DANPM1000-0200	1/8"-27	9.65	4.78	14.25	11 mm	Metric
DANPM1000-0200IN	1/8"-27	9.65	4.78	14.25	7/16"	Imperial
DANPM1000-0200 Without Hole	1/8"-27	9.65	N/A	14.25	7/16"	Imperial
DANPM1000-0400	1/4"-18	14.22	7.14	18.82	14 mm	Metric
DANPM1000-0400IN	1/4"-18	14.22	7.14	18.82	9/16"	Imperial
DANPM1000-0400 Without Hole	1/4"-18	14.22	N/A	18.82	9/16"	Imperial
DANPM1000-0600	3/8"-18	14.22	10.31	19.60	17 mm	Metric
DANPM1000-0600IN	3/8"-18	14.22	10.31	19.60	11/16"	Imperial
DANPM1000-0600 Without Hole	3/8"-18	14.22	N/A	19.60	11/16"	Imperial
DANPM1000-0800	1/2"-14	19.05	13.49	24.44	22 mm	Metric
DANPM1000-0800IN	1/2"-14	19.05	13.49	24.44	7/8"	Imperial
DANPM1000-0800 Without Hole	1/2"-14	19.05	N/A	24.44	7/8"	Imperial
DANPM1000-1200	3/4"-14	19.05	18.26	28.75	27 mm	Metric
DANPM1000-1200IN	3/4"-14	19.05	18.26	28.75	1-1/8"	Imperial
DANPM1000-1200 Without Hole	3/4"-14	19.05	N/A	28.75	1-1/8"	Imperial
DANPM1000-1600	1"-11-1/2	23.88	23.83	34.58	36 mm	Metric
DANPM1000-1600IN	1"-11-1/2	23.88	23.83	34.58	1-3/8"	Imperial
DANPM1000-1600 Without Hole	1"-11-1/2	23.88	N/A	34.58	1-3/8"	Imperial
DANPM1000-2000	1-1/4"-11-1/2	24.64	31.75	36.34	46 mm	Metric
DANPM1000-2000IN	1-1/4"-11-1/2	24.64	31.75	36.34	1-3/4"	Imperial
DANPM1000-2000 Without Hole	1-1/4"-11-1/2	24.64	N/A	36.34	1-3/4"	Imperial
DANPM1000-2400	1-1/2"-11-1/2	25.40	38.10	39.90	50 mm	Metric
DANPM1000-2400IN	1-1/2"-11-1/2	25.40	38.10	39.90	2"	Imperial
DANPM1000-2400 Without Hole	1-1/2"-11-1/2	25.40	N/A	39.90	2"	Imperial
DANPM1000-3200	2"-11-1/2	26.16	49.23	43.50	60 mm	Metric
DANPM1000-3200IN	2"-11-1/2	26.16	49.23	43.50	2-1/2"	Imperial
DANPM1000-3200 Without Hole	2"-11-1/2	26.16	N/A	43.50	2-1/2"	Imperial
DANPM1000-4000	2-1/2"-8	38.86	59.00	57.50	85 mm	Metric
DANPM1000-4000IN	2-1/2"-8	38.86	59.00	57.50	3-1/4"	Imperial
DANPM1000-4000 Without Hole	2-1/2"-8	38.86	N/A	57.50	3-1/4"	Imperial

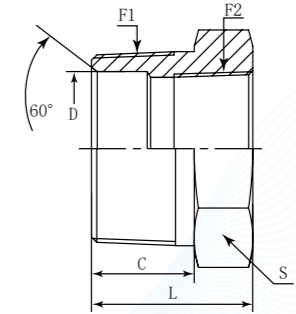
DANPM128FR

Straight Bushing Connector NPTF Male 60° - NPTF Female

D	A	NP	M	1	28	F	R
Company	Product Range	Thread Types	Connection Type	Adaptor Structure	Thread Types	Connection Type	Other Features
DME	Adaptor	NPTF	Male	Straight	NPTF	Female	Bushing



DME&JDE Code:	DANPM128FR
Product Type:	Hydraulic Adaptor
Standard:	NPTF
Structure:	Straight
Connection Type:	Male x Female
Thread Types:	NPTF 60° x NPTF
Other Features:	Bushing



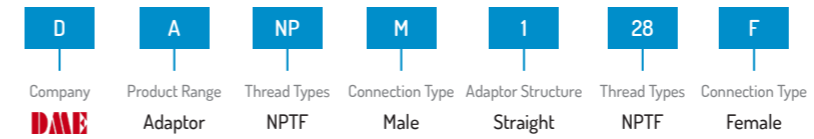
PART NUMBER	F1 (Thread)	F2 (Thread)	C	D	L	S	Hex
#	NPTF	NPTF	mm	mm	mm	-	-
DANPM128FR-0402	1/4"-18	1/8"-27	14.22	7.14	21.59	17 mm	Metric
DANPM128FR-0402IN	1/4"-18	1/8"-27	14.22	7.14	21.59	5/8"	Imperial
DANPM128FR-0602	3/8"-18	1/8"-27	14.22	10.31	21.59	19 mm	Metric
DANPM128FR-0604	3/8"-18	1/4"-18	14.22	10.31	21.59	19 mm	Metric
DANPM128FR-0602IN	3/8"-18	1/8"-27	14.22	10.31	21.59	3/4"	Imperial
DANPM128FR-0604IN	3/8"-18	1/4"-18	14.22	10.31	21.59	3/4"	Imperial
DANPM128FR-0802	1/2"-14	1/8"-27	19.05	13.49	27.94	22 mm	Metric
DANPM128FR-0804	1/2"-14	1/4"-18	19.05	13.49	27.90	22 mm	Metric
DANPM128FR-0806	1/2"-14	3/8"-18	19.05	13.49	27.90	22 mm	Metric
DANPM128FR-0802IN	1/2"-14	1/8"-27	19.05	13.49	27.94	7/8"	Imperial
DANPM128FR-0804IN	1/2"-14	1/4"-18	19.05	13.49	27.90	7/8"	Imperial
DANPM128FR-0806IN	1/2"-14	3/8"-18	19.05	13.49	27.90	7/8"	Imperial
DANPM128FR-1202	3/4"-14	1/8"-27	19.05	18.26	29.70	27 mm	Metric
DANPM128FR-1204	3/4"-14	1/4"-18	19.05	18.26	29.72	27 mm	Metric
DANPM128FR-1206	3/4"-14	3/8"-18	19.05	18.26	29.70	27 mm	Metric
DANPM128FR-1208	3/4"-14	1/2"-14	19.05	18.26	29.72	27 mm	Metric
DANPM128FR-1202IN	3/4"-14	1/8"-27	19.05	18.26	29.70	1-1/8"	Imperial
DANPM128FR-1204IN	3/4"-14	1/4"-18	19.05	18.26	29.72	1-1/8"	Imperial
DANPM128FR-1206IN	3/4"-14	3/8"-18	19.05	18.26	29.70	1-1/8"	Imperial
DANPM128FR-1208IN	3/4"-14	1/2"-14	19.05	18.26	29.72	1-1/8"	Imperial
DANPM128FR-1602	1"-11-1/2	1/8"-27	23.88	23.83	34.50	36 mm	Metric
DANPM128FR-1604	1"-11-1/2	1/4"-18	23.88	23.83	34.50	36 mm	Metric
DANPM128FR-1606	1"-11-1/2	3/8"-18	23.88	23.83	34.54	36 mm	Metric
DANPM128FR-1608	1"-11-1/2	1/2"-14	23.88	23.83	34.54	36 mm	Metric
DANPM128FR-1612	1"-11-1/2	3/4"-14	23.88	23.83	34.54	36 mm	Metric



DANPM128FR-1602IN	1"-11-1/2	1/8"-27	23.88	23.83	34.50	1-3/8"	Imperial
DANPM128FR-1604IN	1"-11-1/2	1/4"-18	23.88	23.83	34.50	1-3/8"	Imperial
DANPM128FR-1606IN	1"-11-1/2	3/8"-18	23.88	23.83	34.54	1-3/8"	Imperial
DANPM128FR-1608IN	1"-11-1/2	1/2"-14	23.88	23.83	34.54	1-3/8"	Imperial
DANPM128FR-1612IN	1"-11-1/2	3/4"-14	23.88	23.83	34.54	1-3/8"	Imperial
DANPM128FR-2004	1-1/4"-11-1/2	1/4"-18	24.64	31.75	37.30	46 mm	Metric
DANPM128FR-2006	1-1/4"-11-1/2	3/8"-18	24.64	31.75	37.30	46 mm	Metric
DANPM128FR-2008	1-1/4"-11-1/2	1/2"-14	24.64	31.75	37.34	46 mm	Metric
DANPM128FR-2012	1-1/4"-11-1/2	3/4"-14	24.64	31.75	37.34	46 mm	Metric
DANPM128FR-2016	1-1/4"-11-1/2	1"-11-1/2	24.64	31.75	37.34	46 mm	Metric
DANPM128FR-2004IN	1-1/4"-11-1/2	1/4"-18	24.64	31.75	37.30	1-3/4"	Imperial
DANPM128FR-2006IN	1-1/4"-11-1/2	3/8"-18	24.64	31.75	37.30	1-3/4"	Imperial
DANPM128FR-2008IN	1-1/4"-11-1/2	1/2"-14	24.64	31.75	37.34	1-3/4"	Imperial
DANPM128FR-2012IN	1-1/4"-11-1/2	3/4"-14	24.64	31.75	37.34	1-3/4"	Imperial
DANPM128FR-2016IN	1-1/4"-11-1/2	1"-11-1/2	24.64	31.75	37.34	1-3/4"	Imperial
DANPM128FR-2404	1-1/2"-11-1/2	1/4"-18	25.40	38.10	39.88	50 mm	Metric
DANPM128FR-2406	1-1/2"-11-1/2	3/8"-18	25.40	38.10	39.90	50 mm	Metric
DANPM128FR-2408	1-1/2"-11-1/2	1/2"-14	25.40	38.10	39.90	50 mm	Metric
DANPM128FR-2412	1-1/2"-11-1/2	3/4"-14	25.40	38.10	39.88	50 mm	Metric
DANPM128FR-2416	1-1/2"-11-1/2	1"-11-1/2	25.40	38.10	39.88	50 mm	Metric
DANPM128FR-2420	1-1/2"-11-1/2	1-1/4"-11-1/2	25.40	38.10	39.88	50 mm	Metric
DANPM128FR-2404IN	1-1/2"-11-1/2	1/4"-18	25.40	38.10	39.88	2"	Imperial
DANPM128FR-2406IN	1-1/2"-11-1/2	3/8"-18	25.40	38.10	39.90	2"	Imperial
DANPM128FR-2408IN	1-1/2"-11-1/2	1/2"-14	25.40	38.10	39.90	2"	Imperial
DANPM128FR-2412IN	1-1/2"-11-1/2	3/4"-14	25.40	38.10	39.88	2"	Imperial
DANPM128FR-2416IN	1-1/2"-11-1/2	1"-11-1/2	25.40	38.10	39.88	2"	Imperial
DANPM128FR-2420IN	1-1/2"-11-1/2	1-1/4"-11-1/2	25.40	38.10	39.88	2"	Imperial
DANPM128FR-3204	2"-11-1/2	1/4"-18	26.16	49.23	44.45	60 mm	Metric
DANPM128FR-3206	2"-11-1/2	3/8"-18	26.16	49.23	44.45	60 mm	Metric
DANPM128FR-3208	2"-11-1/2	1/2"-14	26.16	49.23	44.45	60 mm	Metric
DANPM128FR-3212	2"-11-1/2	3/4"-14	26.16	49.23	44.50	60 mm	Metric
DANPM128FR-3216	2"-11-1/2	1"-11-1/2	26.16	49.23	44.50	60 mm	Metric
DANPM128FR-3220	2"-11-1/2	1-1/4"-11-1/2	26.16	49.23	44.45	60 mm	Metric
DANPM128FR-3224	2"-11-1/2	1-1/2"-11-1/2	26.16	49.23	44.45	60 mm	Metric
DANPM128FR-3204IN	2"-11-1/2	1/4"-18	26.16	49.23	44.45	2-1/2"	Imperial
DANPM128FR-3206IN	2"-11-1/2	3/8"-18	26.16	49.23	44.45	2-1/2"	Imperial
DANPM128FR-3208IN	2"-11-1/2	1/2"-14	26.16	49.23	44.45	2-1/2"	Imperial
DANPM128FR-3212IN	2"-11-1/2	3/4"-14	26.16	49.23	44.50	2-1/2"	Imperial
DANPM128FR-3216IN	2"-11-1/2	1"-11-1/2	26.16	49.23	44.50	2-1/2"	Imperial
DANPM128FR-3220IN	2"-11-1/2	1-1/4"-11-1/2	26.16	49.23	44.45	2-1/2"	Imperial
DANPM128FR-3224IN	2"-11-1/2	1-1/2"-11-1/2	26.16	49.23	44.45	2-1/2"	Imperial
DANPM128FR-4032	2-1/2"-8	2"-11-1/2	38.86	59.00	60.19	75 mm	Metric
DANPM128FR-4032IN	2-1/2"-8	2"-11-1/2	38.86	59.00	60.19	3"	Imperial
DANPM128FR-4832	3"-8	2"-11-1/2	41.40	70.64	61.80	95 mm	Metric
DANPM128FR-4832IN	3"-8	2"-11-1/2	41.40	70.64	61.80	3-3/4"	Imperial

DANPM128F

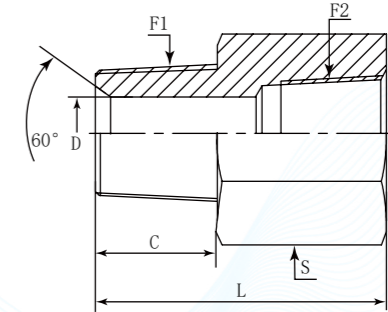
Straight Connector NPTF Male 60° - NPTF Female



German Technology Equipment

New-Standard

- DME&JDE Code:** DANPM128F
- Product Type:** Hydraulic Adaptor
- Standard:** NPTF
- Structure:** Straight
- Connection Type:** Male x Female
- Thread Types:** NPTF 60° x NPTF

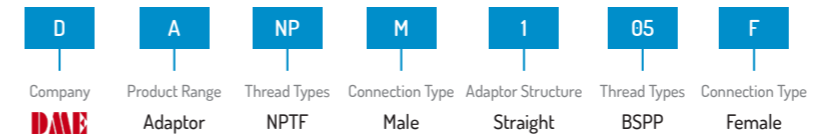


PART NUMBER	F1 (Thread)	F2 (Thread)	C	D	L	S	Hex
#	NPTF	NPTF	mm	mm	mm	-	-
DANPM128F-0202	1/8"-27	1/8"-27	9.65	4.78	26.40	17 mm	Metric
DANPM128F-0204	1/8"-27	1/4"-18	9.65	4.78	30.70	19 mm	Metric
DANPM128F-0206	1/8"-27	3/8"-18	9.65	4.78	32.00	22 mm	Metric
DANPM128F-0208	1/8"-27	1/2"-14	9.65	4.78	38.00	27 mm	Metric
DANPM128F-0202IN	1/8"-27	1/8"-27	9.65	4.78	26.40	5/8"	Imperial
DANPM128F-0204IN	1/8"-27	1/4"-18	9.65	4.78	30.70	3/4"	Imperial
DANPM128F-0206IN	1/8"-27	3/8"-18	9.65	4.78	32.00	7/8"	Imperial
DANPM128F-0208IN	1/8"-27	1/2"-14	9.65	4.78	38.00	1-1/8"	Imperial
DANPM128F-0402	1/4"-18	1/8"-27	14.22	7.14	30.90	17 mm	Metric
DANPM128F-0404	1/4"-18	1/4"-18	14.22	7.14	35.30	19 mm	Metric
DANPM128F-0406	1/4"-18	3/8"-18	14.22	7.14	36.60	22 mm	Metric
DANPM128F-0408	1/4"-18	1/2"-14	14.22	7.14	42.70	27 mm	Metric
DANPM128F-0412	1/4"-18	3/4"-14	14.22	7.14	44.20	36 mm	Metric
DANPM128F-0416	1/4"-18	1"-11-1/2	14.22	7.14	50.50	41 mm	Metric
DANPM128F-0402IN	1/4"-18	1/8"-27	14.22	7.14	30.90	5/8"	Imperial
DANPM128F-0404IN	1/4"-18	1/4"-18	14.22	7.14	35.30	3/4"	Imperial
DANPM128F-0406IN	1/4"-18	3/8"-18	14.22	7.14	36.60	7/8"	Imperial
DANPM128F-0408IN	1/4"-18	1/2"-14	14.22	7.14	42.70	1-1/8"	Imperial
DANPM128F-0412IN	1/4"-18	3/4"-14	14.22	7.14	44.20	1-3/8"	Imperial
DANPM128F-0416IN	1/4"-18	1"-11-1/2	14.22	7.14	50.50	1-5/8"	Imperial
DANPM128F-0602	3/8"-18	1/8"-27	14.22	10.31	36.32	19 mm	Metric
DANPM128F-0604	3/8"-18	1/4"-18	14.22	10.31	36.30	19 mm	Metric
DANPM128F-0606	3/8"-18	3/8"-18	14.22	10.31	36.60	22 mm	Metric
DANPM128F-0608	3/8"-18	1/2"-14	14.22	10.31	42.70	27 mm	Metric
DANPM128F-0612	3/8"-18	3/4"-14	14.22	10.31	44.20	36 mm	Metric
DANPM128F-0602IN	3/8"-18	1/8"-27	14.22	10.31	36.32	3/4"	Imperial
DANPM128F-0604IN	3/8"-18	1/4"-18	14.22	10.31	36.30	3/4"	Imperial
DANPM128F-0606IN	3/8"-18	3/8"-18	14.22	10.31	36.60	7/8"	Imperial
DANPM128F-0608IN	3/8"-18	1/2"-14	14.22	10.31	42.70	1-1/8"	Imperial

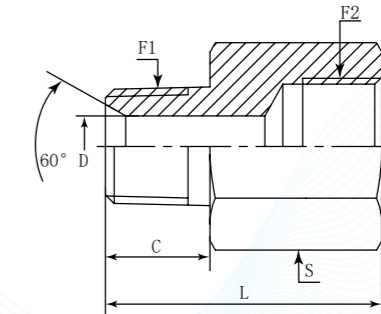
DANPM128F-0612IN	3/8"-18	3/4"-14	14.22	10.31	44.20	1-3/8"	Imperial
DANPM128F-0804	1/2"-14	1/4"-18	19.05	13.49	41.66	22 mm	Metric
DANPM128F-0806	1/2"-14	3/8"-18	19.05	13.49	42.20	22 mm	Metric
DANPM128F-0808	1/2"-14	1/2"-14	19.05	13.49	47.50	27 mm	Metric
DANPM128F-0812	1/2"-14	3/4"-14	19.05	13.49	49.00	32 mm	Metric
DANPM128F-0816	1/2"-14	1-11-1/2"	19.05	13.49	55.40	36 mm	Metric
DANPM128F-0804IN	1/2"-14	1/4"-18	19.05	13.49	41.66	41 mm	Metric
DANPM128F-0806IN	1/2"-14	3/8"-18	19.05	13.49	42.20	7/8"	Imperial
DANPM128F-0808IN	1/2"-14	1/2"-14	19.05	13.49	47.50	1-1/8"	Imperial
DANPM128F-0812IN	1/2"-14	3/4"-14	19.05	13.49	49.00	1-3/8"	Imperial
DANPM128F-0816IN	1/2"-14	1-11-1/2"	19.05	13.49	55.40	1-5/8"	Imperial
DANPM128F-1204	3/4"-14	1/4"-18	19.05	18.26	40.60	27 mm	Metric
DANPM128F-1206	3/4"-14	3/8"-18	19.05	18.26	41.40	27 mm	Metric
DANPM128F-1208	3/4"-14	1/2"-14	19.05	18.26	49.30	27 mm	Metric
DANPM128F-1212	3/4"-14	3/4"-14	19.05	18.26	49.00	36 mm	Metric
DANPM128F-1216	3/4"-14	1"-11-1/2"	19.05	18.26	55.40	41 mm	Metric
DANPM128F-1220	3/4"-14	1-1/4"-11-1/2"	19.05	18.26	57.66	50 mm	Metric
DANPM128F-1204IN	3/4"-14	1/4"-18	19.05	18.26	40.60	1-1/8"	Imperial
DANPM128F-1206IN	3/4"-14	3/8"-18	19.05	18.26	41.40	1-1/8"	Imperial
DANPM128F-1208IN	3/4"-14	1/2"-14	19.05	18.26	49.30	1-1/8"	Imperial
DANPM128F-1212IN	3/4"-14	3/4"-14	19.05	18.26	49.00	1-3/8"	Imperial
DANPM128F-1216IN	3/4"-14	1"-11-1/2"	19.05	18.26	55.40	1-5/8"	Imperial
DANPM128F-1220IN	3/4"-14	1-1/4"-11-1/2"	19.05	18.26	57.66	2"	Imperial
DANPM128F-1612	1"-11-1/2"	3/4"-14	23.88	23.83	53.80	36 mm	Metric
DANPM128F-1616	1"-11-1/2"	1"-11-1/2"	23.88	23.83	60.20	41 mm	Metric
DANPM128F-1620	1"-11-1/2"	1-1/4"-11-1/2"	23.88	23.83	62.50	50 mm	Metric
DANPM128F-1624	1"-11-1/2"	1-1/2"-11-1/2"	23.88	23.83	62.70	60 mm	Metric
DANPM128F-1632	1"-11-1/2"	2"-11-1/2"	23.88	23.83	65.00	73 mm	Metric
DANPM128F-1612IN	1"-11-1/2"	3/4"-14	23.88	23.83	53.80	1-3/8"	Imperial
DANPM128F-1616IN	1"-11-1/2"	1"-11-1/2"	23.88	23.83	60.20	1-5/8"	Imperial
DANPM128F-1620IN	1"-11-1/2"	1-1/4"-11-1/2"	23.88	23.83	62.50	2"	Imperial
DANPM128F-1624IN	1"-11-1/2"	1-1/2"-11-1/2"	23.88	23.83	62.70	2-3/8"	Imperial
DANPM128F-1632IN	1"-11-1/2"	2"-11-1/2"	23.88	23.83	65.00	2-7/8"	Imperial
DANPM128F-2012	1-1/4"-11-1/2"	3/4"-14	24.64	31.75	54.60	46 mm	Metric
DANPM128F-2016	1-1/4"-11-1/2"	1"-11-1/2"	24.64	31.75	63.30	46 mm	Metric
DANPM128F-2020	1-1/4"-11-1/2"	1-1/4"-11-1/2"	24.64	31.75	63.30	50 mm	Metric
DANPM128F-2024	1-1/4"-11-1/2"	1-1/2"-11-1/2"	24.64	31.75	63.50	60 mm	Metric
DANPM128F-2032	1-1/4"-11-1/2"	2"-11-1/2"	24.64	31.75	66.80	73 mm	Metric
DANPM128F-2012IN	1-1/4"-11-1/2"	3/4"-14	24.64	31.75	54.60	1-3/4"	Imperial
DANPM128F-2016IN	1-1/4"-11-1/2"	1"-11-1/2"	24.64	31.75	63.30	1-3/4"	Imperial
DANPM128F-2020IN	1-1/4"-11-1/2"	1-1/4"-11-1/2"	24.64	31.75	63.30	2"	Imperial
DANPM128F-2024IN	1-1/4"-11-1/2"	1-1/2"-11-1/2"	24.64	31.75	63.50	2-3/8"	Imperial
DANPM128F-2032IN	1-1/4"-11-1/2"	2"-11-1/2"	24.64	31.75	66.80	2-7/8"	Imperial
DANPM128F-2420	1-1/2"-11-1/2"	1-1/4"-11-1/2"	25.40	38.10	64.00	50 mm	Metric
DANPM128F-2424	1-1/2"-11-1/2"	1-1/2"-11-1/2"	25.40	38.10	64.30	60 mm	Metric
DANPM128F-2432	1-1/2"-11-1/2"	2"-11-1/2"	25.40	38.10	66.80	73 mm	Metric
DANPM128F-2420IN	1-1/2"-11-1/2"	1-1/4"-11-1/2"	25.40	38.10	64.00	2"	Imperial
DANPM128F-2424IN	1-1/2"-11-1/2"	1-1/2"-11-1/2"	25.40	38.10	64.30	2-3/8"	Imperial
DANPM128F-2432IN	1-1/2"-11-1/2"	2"-11-1/2"	25.40	38.10	66.80	2-7/8"	Imperial
DANPM128F-3232	2"-11-1/2"	2"-11-1/2"	26.16	49.23	67.56	73 mm	Metric
DANPM128F-3232IN	2"-11-1/2"	2"-11-1/2"	26.16	49.23	67.56	2-7/8"	Imperial
DANPM128F-4032	2-1/2"-8	2"-11-1/2"	38.86	59.00	80.00	85 mm	Metric
DANPM128F-4032IN	2-1/2"-8	2"-11-1/2"	38.86	59.00	80.00	3-1/4"	Imperial

DANPM105F

Straight Connector NPTF Male 60° - BSPP Female



- DME&JDE Code:** DANPM105F
- Product Type:** Hydraulic Adaptor
- Standard:** NPTF
- Structure:** Straight
- Connection Type:** Male x Female
- Thread Types:** NPTF 60° x BSPP



PART NUMBER	F1 (Thread)	F2 (Thread)	C	D	L	S
#	NPTF	BSPP	mm	mm	mm	mm
DANPM105F-0202	1/8"-27	1/8"-28	9.65	4.78	28.00	14.00
DANPM105F-0204	1/8"-27	1/4"-19	9.65	4.78	30.50	19.00
DANPM105F-0402	1/4"-18	1/8"-28	14.22	7.14	29.50	17.00
DANPM105F-0404	1/4"-18	1/4"-19	14.22	7.14	33.50	19.00
DANPM105F-0406	1/4"-18	3/8"-19	14.22	7.14	36.50	22.00
DANPM105F-0604	3/8"-18	1/4"-19	14.22	10.31	35.50	19.00
DANPM105F-0606	3/8"-18	3/8"-19	14.22	10.31	36.50	22.00
DANPM105F-0804	1/2"-14	1/4"-19	19.05	13.49	30.00	22.00
DANPM105F-0806	1/2"-14	3/8"-19	19.05	13.49	37.00	22.00
DANPM105F-0808	1/2"-14	1/2"-14	19.05	13.49	46.50	27.00
DANPM105F-1204	3/4"-14	1/4"-19	19.05	18.26	30.00	28.58
DANPM105F-1206	3/4"-14	3/8"-19	19.05	18.26	30.00	28.58
DANPM105F-1208	3/4"-14	1/2"-14	19.05	18.26	41.00	28.58
DANPM105F-1212	3/4"-14	3/4"-14	19.05	18.26	46.00	32.00
DANPM105F-1216	3/4"-14	1"-11	19.05	18.26	51.50	41.00
DANPM105F-1606	1"-11-1/2"	3/8"-19	23.88	23.83	35.00	36.00
DANPM105F-1608	1"-11-1/2"	1/2"-14	23.88	23.83	35.00	36.00
DANPM105F-1612	1"-11-1/2"	3/4"-14	23.88	23.83	51.00	38.00
DANPM105F-1616	1"-11-1/2"	1"-11	23.88	23.83	57.50	41.28
DANPM105F-2008	1-1/4"-11-1/2"	1/2"-14	24.64	31.75	38.00	44.45
DANPM105F-2020	1-1/4"-11-1/2"	1-1/4"-11	24.64	31.75	62.50	50.00
DANPM105F-2416	1-1/2"-11-1/2"	1"-11	25.40	38.10	40.50	50.00
DANPM105F-2420	1-1/2"-11-1/2"	1-1/4"-11	25.40	38.10	55.00	50.80
DANPM105F-2424	1-1/2"-11-1/2"	1-1/2"-11	25.40	38.10	62.00	55.00
DANPM105F-3216	2"-11-1/2"	1"-11	26.16	49.23	46.00	65.00
DANPM105F-3220	2"-11-1/2"	1-1/4"-11	26.16	49.23	46.00	65.00
DANPM105F-3232	2"-11-1/2"	2"-11	26.16	49.23	72.40	70.00
DANPM105F-4040	2-1/2"-8	2-1/2"-11	38.86	59.00	88.00	90.00
DANPM105F-4832	3"-8	2"-11	41.40	70.64	78.00	90.00

DANPM1081

Straight Connector NPTF Male 60° - BSPP Swivel Female 60° Cone

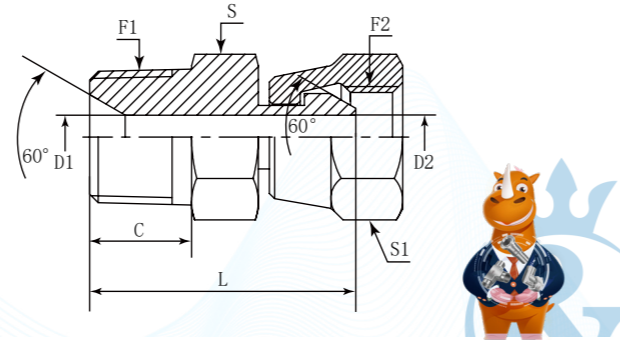
D	A	NP	M	1	081
Company	Product Range	Thread Types	Connection Type	Adaptor Structure	Connection Type
DME	Adaptor	NPTF	Male	Straight	BSPP Swivel Female

German Technology Equipment

SHIELD FLEX

New-Standard

- DME&JDE Code: **DANPM1081**
- Product Type: **Hydraulic Adaptor**
- Standard: **NPTF**
- Structure: **Straight**
- Connection Type: **Male x Swivel Female**
- Thread Types: **NPTF 60° x BSPP 60° Cone**



PART NUMBER	F1 (Thread)	F2 (Thread)	C	D1	D2	L	S	S
#	NPTF	BSPP	mm	mm	mm	mm	mm	mm
DANPM1081-0202	1/8"-27	1/8"-28	9.65	3.50	3.50	27.00	14	14
DANPM1081-0404	1/4"-18	1/4"-19	14.22	7.14	4.70	34.00	17	19
DANPM1081-0406	1/4"-18	3/8"-19	14.22	7.14	7.90	34.50	19	22
DANPM1081-0604	3/8"-18	1/4"-19	14.22	10.31	4.70	33.50	19	19
DANPM1081-0606	3/8"-18	3/8"-19	14.22	10.31	7.90	34.50	19	22
DANPM1081-0608	3/8"-18	1/2"-14	14.22	10.31	11.10	38.00	22	27
DANPM1081-0806	1/2"-14	3/8"-19	19.05	13.49	15.20	39.50	22	22
DANPM1081-0808	1/2"-14	1/2"-14	19.05	13.49	11.10	43.00	22	27
DANPM1081-1208	3/4"-14	1/2"-14	19.05	18.26	11.10	45.50	30	27
DANPM1081-1212	3/4"-14	3/4"-14	19.05	18.26	16.70	49.00	32	32
DANPM1081-1216	3/4"-14	1"-11	19.05	18.26	22.20	51.50	38	41
DANPM1081-1612	1"-11-1/2	3/4"-14	23.88	23.83	16.70	54.00	36	32
DANPM1081-1616	1"-11-1/2	1"-11	23.88	23.83	22.20	56.50	38	41
DANPM1081-2020	1-1/4"-11-1/2	1-1/4"-11-1/2	24.64	31.75	28.60	60.50	46	50

DANPM1091

Straight Connector NPTF Male 60° - NPSM Swivel Female 60°

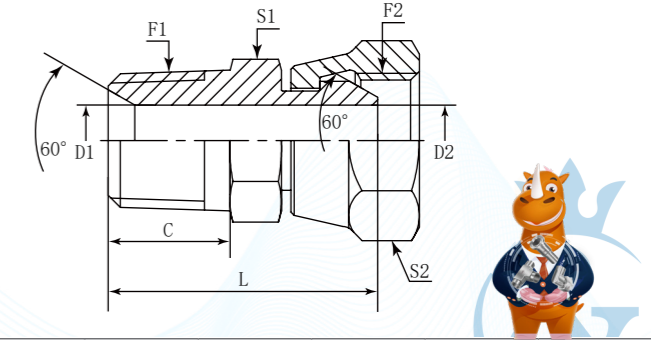
D	A	NP	M	1	091
Company	Product Range	Thread Types	Connection Type	Adaptor Structure	Connection Type
DME	Adaptor	NPTF	Male	Straight	NPSM Swivel Female

German Technology Equipment

SHIELD FLEX

New-Standard

- DME&JDE Code: **DANPM1091**
- Product Type: **Hydraulic Adaptor**
- Standard: **NPTF**
- Structure: **Straight**
- Connection Type: **Male x Swivel Female**
- Thread Types: **NPTF 60° x NPSM 60°**



PART NUMBER	F1 (Thread)	F2 (Thread)	C	D1	D2	L	S1	S2	Hex
#	NPTF	NPSM	mm	mm	mm	mm	-	-	-
DANPM1091-0202	1/8"-27	1/8"-27	9.65	4.78	2.79	24.86	14 mm	14 mm	Metric
DANPM1091-0204	1/8"-27	1/4"-18	9.65	4.78	5.33	26.67	17 mm	19 mm	Metric
DANPM1091-0202IN	1/8"-27	1/8"-27	9.65	4.78	2.79	24.86	9/16"	9/16"	Imperial
DANPM1091-0204IN	1/8"-27	1/4"-18	9.65	4.78	5.33	26.67	11/16"	11/16"	Imperial
DANPM1091-0402	1/4"-18	1/8"-27	14.22	7.14	3.51	30.15	17 mm	14 mm	Metric
DANPM1091-0404	1/4"-18	1/4"-18	14.22	7.14	5.33	31.24	17 mm	19 mm	Metric
DANPM1091-0406	1/4"-18	3/8"-18	14.22	7.14	8.13	33.27	17 mm	22 mm	Metric
DANPM1091-0408	1/4"-18	1/2"-14	14.22	7.14	11.18	36.20	22 mm	27 mm	Metric
DANPM1091-0402IN	1/4"-18	1/8"-27	14.22	7.14	3.51	30.15	11/16"	9/16"	Imperial
DANPM1091-0404IN	1/4"-18	1/4"-18	14.22	7.14	5.33	31.24	11/16"	11/16"	Imperial
DANPM1091-0406IN	1/4"-18	3/8"-18	14.22	7.14	8.13	33.27	11/16"	7/8"	Imperial
DANPM1091-0408IN	1/4"-18	1/2"-14	14.22	7.14	11.18	36.20	7/8"	1"	Imperial
DANPM1091-0602	3/8"-18	1/8"-27	14.22	10.31	3.51	29.50	19 mm	14 mm	Metric
DANPM1091-0604	3/8"-18	1/4"-18	14.22	10.31	5.33	33.27	14 mm	19 mm	Metric
DANPM1091-0606	3/8"-18	3/8"-18	14.22	10.31	8.13	33.02	22 mm	22 mm	Metric
DANPM1091-0608	3/8"-18	1/2"-14	14.22	10.31	11.18	39.12	22 mm	27 mm	Metric
DANPM1091-0612	3/8"-18	3/4"-14	14.22	10.31	15.49	38.20	32 mm	32 mm	Metric
DANPM1091-0602IN	3/8"-18	1/8"-27	14.22	10.31	3.51	29.50	3/4"	9/16"	Imperial
DANPM1091-0604IN	3/8"-18	1/4"-18	14.22	10.31	5.33	33.27	9/16"	11/16"	Imperial
DANPM1091-0606IN	3/8"-18	3/8"-18	14.22	10.31	8.13	33.02	7/8"	7/8"	Imperial
DANPM1091-0608IN	3/8"-18	1/2"-14	14.22	10.31	11.18	39.12	7/8"	1"	Imperial
DANPM1091-0612IN	3/8"-18	3/4"-14	14.22	10.31	15.49	38.20	1-1/4"	1-1/4"	Imperial
DANPM1091-0804	1/2"-14	1/4"-18	19.05	13.49	5.33	38.89	22 mm	19 mm	Metric

Certificate:

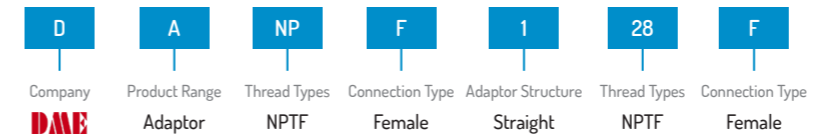


DANPM1091-0806	1/2"-14	3/8"-18	19.05	13.49	8.13	39.62	22 mm	22 mm	Metric
DANPM1091-0808	1/2"-14	1/2"-14	19.05	13.49	11.18	42.64	27 mm	27 mm	Metric
DANPM1091-0812	1/2"-14	3/4"-14	19.05	13.49	15.49	44.20	32 mm	32 mm	Metric
DANPM1091-0804IN	1/2"-14	1/4"-18	19.05	13.49	5.33	38.89	7/8"	11/16"	Imperial
DANPM1091-0806IN	1/2"-14	3/8"-18	19.05	13.49	8.13	39.62	7/8"	7/8"	Imperial
DANPM1091-0808IN	1/2"-14	1/2"-14	19.05	13.49	11.18	42.64	1"	1"	Imperial
DANPM1091-0812IN	1/2"-14	3/4"-14	19.05	13.49	15.49	44.20	1-1/4"	1-1/4"	Imperial
DANPM1091-1206	3/4"-14	3/8"-18	19.05	18.26	8.13	40.00	27 mm	22 mm	Metric
DANPM1091-1208	3/4"-14	1/2"-14	19.05	18.26	11.18	42.00	27 mm	27 mm	Metric
DANPM1091-1212	3/4"-14	3/4"-14	19.05	15.49	15.49	44.45	32 mm	32 mm	Metric
DANPM1091-1216	3/4"-14	1"-11-1/2	19.05	18.26	19.81	46.00	36 mm	41 mm	Metric
DANPM1091-1220	3/4"-14	1-1/4"-11-1/2	19.05	18.26	25.65	47.25	46 mm	50 mm	Metric
DANPM1091-1206IN	3/4"-14	3/8"-18	19.05	18.26	8.13	40.00	1-1/8"	7/8"	Imperial
DANPM1091-1208IN	3/4"-14	1/2"-14	19.05	18.26	11.18	42.00	1-1/8"	1"	Imperial
DANPM1091-1212IN	3/4"-14	3/4"-14	19.05	15.49	15.49	44.45	1-1/4"	1-1/4"	Imperial
DANPM1091-1216IN	3/4"-14	1"-11-1/2	19.05	18.26	19.81	46.00	1-3/8"	1-1/2"	Imperial
DANPM1091-1220IN	3/4"-14	1-1/4"-11-1/2	19.05	18.26	25.65	47.25	1-3/4"	1-7/8"	Imperial
DANPM1091-1608	1"-11-1/2	1/2"-14	23.88	23.83	11.18	46.50	36 mm	27 mm	Metric
DANPM1091-1612	1"-11-1/2	3/4"-14	23.88	23.83	15.49	48.20	41 mm	32 mm	Metric
DANPM1091-1616	1"-11-1/2	1"-11-1/2	23.88	23.83	19.81	51.77	41 mm	41 mm	Metric
DANPM1091-1620	1"-11-1/2	1-1/4"-11-1/2	23.88	23.83	25.65	52.50	46 mm	50 mm	Metric
DANPM1091-1624	1"-11-1/2	1-1/2"-11-1/2	23.88	23.83	31.75	55.26	55 mm	55 mm	Metric
DANPM1091-1608IN	1"-11-1/2	1/2"-14	23.88	23.83	11.18	46.50	1-3/8"	1"	Imperial
DANPM1091-1612IN	1"-11-1/2	3/4"-14	23.88	23.83	15.49	48.20	1-1/2"	1-1/4"	Imperial
DANPM1091-1616IN	1"-11-1/2	1"-11-1/2	23.88	23.83	19.81	51.77	1-1/2"	1-1/2"	Imperial
DANPM1091-1620IN	1"-11-1/2	1-1/4"-11-1/2	23.88	23.83	25.65	52.50	1-3/4"	1-7/8"	Imperial
DANPM1091-1624IN	1"-11-1/2	1-1/2"-11-1/2	23.88	23.83	31.75	55.26	2-1/8"	2-1/8"	Imperial
DANPM1091-2008	1-1/4"-11-1/2	1/2"-14	24.64	31.75	11.18	52.50	50 mm	27 mm	Metric
DANPM1091-2016	1-1/4"-11-1/2	1"-11-1/2	24.64	31.75	19.81	52.07	50 mm	41 mm	Metric
DANPM1091-2020	1-1/4"-11-1/2	1-1/4"-11-1/2	24.64	31.75	25.65	56.09	50 mm	50 mm	Metric
DANPM1091-2024	1-1/4"-11-1/2	1-1/2"-11-1/2	24.64	31.75	31.75	61.00	55 mm	55 mm	Metric
DANPM1091-2008IN	1-1/4"-11-1/2	1/2"-14	24.64	31.75	11.18	52.50	1-7/8"	1"	Imperial
DANPM1091-2016IN	1-1/4"-11-1/2	1"-11-1/2	24.64	31.75	19.81	52.07	1-7/8"	1-1/2"	Imperial
DANPM1091-2020IN	1-1/4"-11-1/2	1-1/4"-11-1/2	24.64	31.75	25.65	56.09	1-7/8"	1-7/8"	Imperial
DANPM1091-2024IN	1-1/4"-11-1/2	1-1/2"-11-1/2	24.64	31.75	31.75	61.00	2-1/8"	2-1/8"	Imperial
DANPM1091-2420	1-1/2"-11-1/2	1-1/4"-11-1/2	25.40	38.10	25.65	58.70	55 mm	50 mm	Metric
DANPM1091-2424	1-1/2"-11-1/2	1-1/2"-11-1/2	25.40	38.10	31.75	61.83	55 mm	55 mm	Metric
DANPM1091-2432	1-1/2"-11-1/2	2"-11-1/2	25.40	38.10	43.69	61.70	60 mm	65 mm	Metric
DANPM1091-2420IN	1-1/2"-11-1/2	1-1/4"-11-1/2	25.40	38.10	25.65	58.70	2-1/8"	1-7/8"	Imperial
DANPM1091-2424IN	1-1/2"-11-1/2	1-1/2"-11-1/2	25.40	38.10	31.75	61.83	2-1/8"	2-1/8"	Imperial
DANPM1091-2432IN	1-1/2"-11-1/2	2"-11-1/2	25.40	38.10	43.69	61.70	2-3/8"	2-5/8"	Imperial
DANPM1091-3232	2"-11-1/2	2"-11-1/2	26.16	49.23	43.69	62.48	65 mm	70 mm	Metric
DANPM1091-3232IN	2"-11-1/2	2"-11-1/2	26.16	49.23	43.69	62.48	2-5/8"	2-5/8"	Imperial

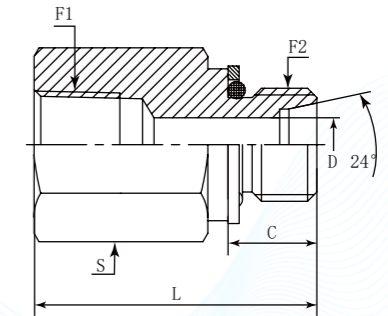
DANPF152Q



Straight Connector NPTF Female - Metric Male 24° + O Ring + Retaining Ring



- DME&JDE Code:** DANPF152Q
- Product Type:** Hydraulic Adaptor
- Standard:** NPTF
- Structure:** Straight
- Connection Type:** Female x Male
- Thread Types:** NPTF x Metric 24° Cone
- Sealing Method:** O Ring + Retaining Ring



PART NUMBER	F1 (Thread)	F2 (Thread)	C	D	L	S
#	NPTF	Metric	mm	mm	mm	mm
DANPF152Q-0212	1/8"-27	M12X1.5	11.00	4.00	31.00	17.00
DANPF152Q-0216	1/8"-27	M16X1.5	11.50	8.00	32.00	22.00
DANPF152Q-0410	1/4"-18	M10X1	8.00	3.50	30.00	19.00
DANPF152Q-0412	1/4"-18	M12X1.5	11.00	4.00	32.90	19.00
DANPF152Q-0414	1/4"-18	M14X1.5	11.00	6.00	35.00	19.00
DANPF152Q-0416	1/4"-18	M16X1.5	11.50	8.00	37.50	22.00
DANPF152Q-0418	1/4"-18	M18X1.5	12.50	10.00	38.50	24.00
DANPF152Q-0612	3/8"-18	M12X1.5	11.00	4.00	38.00	22.00
DANPF152Q-0614	3/8"-18	M14X1.5	11.00	6.00	38.00	22.00
DANPF152Q-0616	3/8"-18	M16X1.5	11.50	8.00	38.50	22.00
DANPF152Q-0618	3/8"-18	M18X1.5	12.50	10.00	40.50	24.00
DANPF152Q-0620	3/8"-18	M20X1.5	12.50	10.00	40.50	24.00
DANPF152Q-0622	3/8"-18	M22X1.5	14.00	12.00	38.50	27.00
DANPF152Q-0816	1/2"-14	M16X1.5	11.50	8.00	40.00	27.00
DANPF152Q-0818	1/2"-14	M18X1.5	12.50	10.00	41.50	27.00
DANPF152Q-0820	1/2"-14	M20X1.5	12.50	8.00	41.00	27.00
DANPF152Q-0822	1/2"-14	M22X1.5	14.00	12.00	42.50	27.00
DANPF152Q-1222	3/4"-14	M22X1.5	14.00	12.00	46.50	36.00
DANPF152Q-1226	3/4"-14	M26X1.5	16.00	15.00	46.00	36.00
DANPF152Q-1227	3/4"-14	M27X1.5	16.00	15.00	48.00	36.00
DANPF152Q-1230	3/4"-14	M30X2	16.00	19.00	45.30	36.00
DANPF152Q-1633	1"-11-1/2	M33X2	16.00	20.00	53.50	41.00

DANPF1305

Straight Connector NPTF Female - SAE Male O Ring

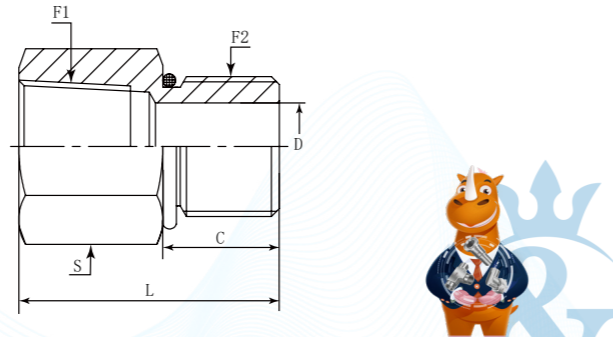
D	A	BP	F	1	30	M
Company	Product Range	Thread Types	Connection Type	Adaptor Structure	Thread Types	Connection Type
DME	Adaptor	NPTF	Female	Straight	SAE UNF	Male O Ring

German Technology Equipment

SHIELD FLEX

New-Standard

- DME&JDE Code: **DANPF1305**
- Product Type: **Hydraulic Adaptor**
- Standard: **NPTF**
- Structure: **Straight**
- Connection Type: **Female x Male**
- Thread Types: **NPTF x SAE UNF**
- Sealing Method: **O Ring**



PART NUMBER	F1 (Thread)	F2 (Thread)	C	D	L	S	Hex
#	NPTF	UNF	mm	mm	mm	-	-
DANPF1305-0202	1/8"-27	5/16"-24	7.54	1.57	24.13	14 mm	Metric
DANPF1305-0203	1/8"-27	3/8"-24	7.54	3.18	24.10	14 mm	Metric
DANPF1305-0204	1/8"-27	7/16"-20	9.14	4.37	25.40	14 mm	Metric
DANPF1305-0205	1/8"-27	1/2"-20	9.14	5.94	25.15	17 mm	Metric
DANPF1305-0206	1/8"-27	9/16"-18	9.93	7.54	26.00	17 mm	Metric
DANPF1305-0208	1/8"-27	3/4"-16	11.13	9.93	27.90	22 mm	Metric
DANPF1305-0210	1/8"-27	7/8"-14	12.70	10.70	20.50	27 mm	Metric
DANPF1305-0212	1/8"-27	1-1/16"-12	15.09	15.47	27.70	32 mm	Metric
DANPF1305-0202IN	1/8"-27	5/16"-24	7.54	1.57	24.13	9/16"	Imperial
DANPF1305-0203IN	1/8"-27	3/8"-24	7.54	3.18	24.10	9/16"	Imperial
DANPF1305-0204IN	1/8"-27	7/16"-20	9.14	4.37	25.40	9/16"	Imperial
DANPF1305-0205IN	1/8"-27	1/2"-20	9.14	5.94	25.15	5/8"	Imperial
DANPF1305-0206IN	1/8"-27	9/16"-18	9.93	7.54	26.00	11/16"	Imperial
DANPF1305-0208IN	1/8"-27	3/4"-16	11.13	9.93	27.90	7/8"	Imperial
DANPF1305-0210IN	1/8"-27	7/8"-14	12.70	10.70	20.50	1"	Imperial
DANPF1305-0212IN	1/8"-27	1-1/16"-12	15.09	15.47	27.70	1-1/4"	Imperial
DANPF1305-0402	1/4"-18	5/16"-24	7.54	1.57	31.24	19 mm	Metric
DANPF1305-0403	1/4"-18	3/8"-24	7.54	3.18	30.80	19 mm	Metric
DANPF1305-0404	1/4"-18	7/16"-20	9.14	4.37	29.46	19 mm	Metric
DANPF1305-0405	1/4"-18	1/2"-20	9.14	5.94	29.50	19 mm	Metric
DANPF1305-0406	1/4"-18	9/16"-18	9.93	7.54	27.69	19 mm	Metric
DANPF1305-0408	1/4"-18	3/4"-16	11.13	9.93	25.90	22 mm	Metric
DANPF1305-0410	1/4"-18	7/8"-14	12.70	12.29	20.57	27 mm	Metric
DANPF1305-0412	1/4"-18	1-1/16"-12	15.09	15.47	27.70	32 mm	Metric

Certificate:



DANPF1305-0416	1/4"-18	1-5/16"-12	15.09	10.94	28.85	41 mm	Metric
DANPF1305-0402IN	1/4"-18	5/16"-24	7.54	1.57	31.24	3/4"	Imperial
DANPF1305-0403IN	1/4"-18	3/8"-24	7.54	3.18	30.80	3/4"	Imperial
DANPF1305-0404IN	1/4"-18	7/16"-20	9.14	4.37	29.46	3/4"	Imperial
DANPF1305-0405IN	1/4"-18	1/2"-20	9.14	5.94	29.50	3/4"	Imperial
DANPF1305-0406IN	1/4"-18	9/16"-18	9.93	7.54	27.69	3/4"	Imperial
DANPF1305-0408IN	1/4"-18	3/4"-16	11.13	9.93	25.90	7/8"	Imperial
DANPF1305-0410IN	1/4"-18	7/8"-14	12.70	12.29	20.57	1"	Imperial
DANPF1305-0412IN	1/4"-18	1-1/16"-12	15.09	15.47	27.70	1-1/4"	Imperial
DANPF1305-0416IN	1/4"-18	1-5/16"-12	15.09	10.94	28.85	1-1/2"	Imperial
DANPF1305-0604	3/8"-18	7/16"-20	9.14	4.37	34.30	22 mm	Metric
DANPF1305-0606	3/8"-18	9/16"-18	9.93	7.54	33.81	22 mm	Metric
DANPF1305-0608	3/8"-18	3/4"-16	11.13	9.93	32.50	22 mm	Metric
DANPF1305-0610	3/8"-18	7/8"-14	12.70	12.29	35.56	27 mm	Metric
DANPF1305-0612	3/8"-18	1-1/16"-12	15.09	15.47	38.10	32 mm	Metric
DANPF1305-0616	3/8"-18	1-5/16"-12	15.09	21.44	28.58	41 mm	Metric
DANPF1305-0604IN	3/8"-18	7/16"-20	9.14	4.37	34.30	7/8"	Imperial
DANPF1305-0606IN	3/8"-18	9/16"-18	9.93	7.54	33.81	7/8"	Imperial
DANPF1305-0608IN	3/8"-18	3/4"-16	11.13	9.93	32.50	7/8"	Imperial
DANPF1305-0610IN	3/8"-18	7/8"-14	12.70	12.29	35.56	1"	Imperial
DANPF1305-0612IN	3/8"-18	1-1/16"-12	15.09	15.47	38.10	1-1/4"	Imperial
DANPF1305-0616IN	3/8"-18	1-5/16"-12	15.09	21.44	28.58	1-1/2"	Imperial
DANPF1305-0806	1/2"-14	9/16"-18	9.93	7.54	38.10	27 mm	Metric
DANPF1305-0808	1/2"-14	3/4"-16	11.13	9.93	37.30	27 mm	Metric
DANPF1305-0810	1/2"-14	7/8"-14	12.70	12.29	39.30	27 mm	Metric
DANPF1305-0812	1/2"-14	1-1/16"-12	15.09	15.47	35.81	32 mm	Metric
DANPF1305-0814	1/2"-14	1-3/16"-12	15.09	18.26	26.92	36 mm	Metric
DANPF1305-0816	1/2"-14	1-5/16"-12	15.09	21.44	43.70	41 mm	Metric
DANPF1305-0820	1/2"-14	1-5/8"-12	15.09	16.48	30.40	50 mm	Metric
DANPF1305-0806IN	1/2"-14	9/16"-18	9.93	7.54	38.10	1-1/8"	Imperial
DANPF1305-0808IN	1/2"-14	3/4"-16	11.13	9.93	37.30	1-1/8"	Imperial
DANPF1305-0810IN	1/2"-14	7/8"-14	12.70	12.29	39.30	1-1/8"	Imperial
DANPF1305-0812IN	1/2"-14	1-1/16"-12	15.09	15.47	35.81	1-1/4"	Imperial
DANPF1305-0814IN	1/2"-14	1-3/16"-12	15.09	18.26	26.92	1-3/8"	Imperial
DANPF1305-0816IN	1/2"-14	1-5/16"-12	15.09	21.44	43.70	1-1/2"	Imperial
DANPF1305-0820IN	1/2"-14	1-5/8"-12	15.09	16.48	30.40	1-7/8"	Imperial
DANPF1305-1206	3/4"-14	9/16"-18	9.93	7.54	43.00	36 mm	Metric
DANPF1305-1208	3/4"-14	3/4"-16	11.13	9.93	45.21	36 mm	Metric
DANPF1305-1210	3/4"-14	7/8"-14	12.70	12.29	42.20	36 mm	Metric
DANPF1305-1212	3/4"-14	1-1/16"-12	15.09	15.47	43.69	36 mm	Metric
DANPF1305-1214	3/4"-14	1-3/16"-12	15.09	18.26	45.20	36 mm	Metric
DANPF1305-1216	3/4"-14	1-5/16"-12	15.09	21.34	41.12	41 mm	Metric
DANPF1305-1220	3/4"-14	1-5/8"-12	15.09	27.38	45.20	50 mm	Metric

Certificate:



DANPF1305-1224	3/4"-14	1-7/8"-12	15.09	23.04	32.25	55 mm	Metric
DANPF1305-1206IN	3/4"-14	9/16"-18	9.93	7.54	43.00	1-3/8"	Imperial
DANPF1305-1208IN	3/4"-14	3/4"-16	11.13	9.93	45.21	1-3/8"	Imperial
DANPF1305-1210IN	3/4"-14	7/8"-14	12.70	12.29	42.20	1-3/8"	Imperial
DANPF1305-1212IN	3/4"-14	1-1/16"-12	15.09	15.47	43.69	1-3/8"	Imperial
DANPF1305-1214IN	3/4"-14	1-3/16"-12	15.09	18.26	45.20	1-3/8"	Imperial
DANPF1305-1216IN	3/4"-14	1-5/16"-12	15.09	21.34	41.12	1-1/2"	Imperial
DANPF1305-1220IN	3/4"-14	1-5/8"-12	15.09	27.38	45.20	1-7/8"	Imperial
DANPF1305-1224IN	3/4"-14	1-7/8"-12	15.09	23.04	32.25	2-1/8"	Imperial
DANPF1305-1612	1"-11-1/2	1-1/16"-12	15.09	15.47	51.60	41 mm	Metric
DANPF1305-1616	1"-11-1/2	1-5/16"-12	15.09	21.44	49.53	41 mm	Metric
DANPF1305-1620	1"-11-1/2	1-5/8"-12	15.09	27.38	25.40	50 mm	Metric
DANPF1305-1624	1"-11-1/2	1-7/8"-12	15.09	28.37	32.26	55 mm	Metric
DANPF1305-1632	1"-11-1/2	2-1/2"-12	15.09	29.36	36.40	70 mm	Metric
DANPF1305-1612IN	1"-11-1/2	1-1/16"-12	15.09	15.47	51.60	1-5/8"	Imperial
DANPF1305-1616IN	1"-11-1/2	1-5/16"-12	15.09	21.44	49.53	1-5/8"	Imperial
DANPF1305-1620IN	1"-11-1/2	1-5/8"-12	15.09	27.38	25.40	1-7/8"	Imperial
DANPF1305-1624IN	1"-11-1/2	1-7/8"-12	15.09	28.37	32.26	2-1/8"	Imperial
DANPF1305-1632IN	1"-11-1/2	2-1/2"-12	15.09	29.36	36.40	2-3/4"	Imperial
DANPF1305-2012	1-1/4"-11-1/2	1-1/16"-12	15.09	15.47	54.61	50 mm	Metric
DANPF1305-2016	1-1/4"-11-1/2	1-5/16"-12	15.09	21.44	54.61	50 mm	Metric
DANPF1305-2020	1-1/4"-11-1/2	1-5/8"-12	15.09	27.38	50.00	50 mm	Metric
DANPF1305-2024	1-1/4"-11-1/2	1-7/8"-12	15.09	33.32	54.86	55 mm	Metric
DANPF1305-2032	1-1/4"-11-1/2	2-1/2"-12	15.09	45.00	50.80	70 mm	Metric
DANPF1305-2012IN	1-1/4"-11-1/2	1-1/16"-12	15.09	15.47	54.61	2"	Imperial
DANPF1305-2016IN	1-1/4"-11-1/2	1-5/16"-12	15.09	21.44	54.61	2"	Imperial
DANPF1305-2020IN	1-1/4"-11-1/2	1-5/8"-12	15.09	27.38	50.00	2"	Imperial
DANPF1305-2024IN	1-1/4"-11-1/2	1-7/8"-12	15.09	33.32	54.86	2-1/8"	Imperial
DANPF1305-2032IN	1-1/4"-11-1/2	2-1/2"-12	15.09	45.00	50.80	2-3/4"	Imperial
DANPF1305-2416	1-1/2"-11-1/2	1-5/16"-12	15.09	21.44	58.42	60 mm	Metric
DANPF1305-2420	1-1/2"-11-1/2	1-5/8"-12	15.09	27.38	51.30	60 mm	Metric
DANPF1305-2424	1-1/2"-11-1/2	1-7/8"-12	15.09	33.32	54.86	60 mm	Metric
DANPF1305-2432	1-1/2"-11-1/2	2-1/2"-12	15.09	45.00	50.80	70 mm	Metric
DANPF1305-2416IN	1-1/2"-11-1/2	1-5/16"-12	15.09	21.44	58.42	2-3/8"	Imperial
DANPF1305-2420IN	1-1/2"-11-1/2	1-5/8"-12	15.09	27.38	51.30	2-3/8"	Imperial
DANPF1305-2424IN	1-1/2"-11-1/2	1-7/8"-12	15.09	33.32	54.86	2-3/8"	Imperial
DANPF1305-2432IN	1-1/2"-11-1/2	2-1/2"-12	15.09	45.00	50.80	2-3/4"	Imperial
DANPF1305-3220	2"-11-1/2	1-5/8"-12	15.09	27.38	60.96	70 mm	Metric
DANPF1305-3232	2"-11-1/2	2-1/2"-12	15.09	45.24	56.90	73 mm	Metric
DANPF1305-3220IN	2"-11-1/2	1-5/8"-12	15.09	27.38	60.96	2-3/4"	Imperial
DANPF1305-3232IN	2"-11-1/2	2-1/2"-12	15.09	45.24	56.90	2-7/8"	Imperial



DANPF106Q

Straight NPTF Fixed Female - BSPP Male + O Ring + Retaining Ring

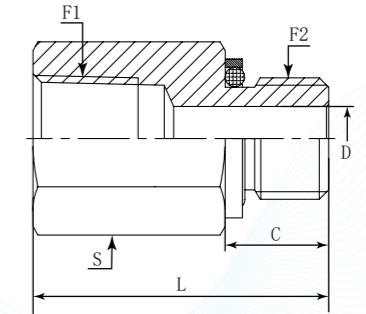
D	A	NP	F	1	06	0
Company	Product Range	Thread Types	Connection Type	Adaptor Structure	Thread Types	Connection Type
DME	Adaptor	NPTF	Female	Straight	BSPP	Male + O Ring + Retaining Ring

German Technology Equipment

SHIELD FLEX

New-Standard

- DME&JDE Code:** DANPF106Q
- Product Type:** Hydraulic Adaptor
- Standard:** NPTF
- Structure:** Straight
- Connection Type:** Fixed Female x Male
- Thread Types:** NPTF x BSPP
- Sealing Method:** O Ring + Retaining Ring



PART NUMBER	F1 (Thread)	F2 (Thread)	C	D	L	S
#	NPTF	BSPP	mm	mm	mm	mm
DANPF106Q-0202	1/8"-27	1/8"-28	7.60	4.40	25.00	17.00
DANPF106Q-0204	1/8"-27	1/4"-19	11.20	7.50	28.50	19.00
DANPF106Q-0402	1/4"-18	1/8"-28	7.60	4.40	30.00	19.00
DANPF106Q-0404	1/4"-18	1/4"-19	11.20	7.50	32.00	19.00
DANPF106Q-0406	1/4"-18	3/8"-19	11.20	9.90	31.00	22.00
DANPF106Q-0604	3/8"-18	1/4"-19	11.20	7.50	31.00	22.00
DANPF106Q-0606	3/8"-18	3/8"-19	11.20	9.90	31.00	22.00
DANPF106Q-0608	3/8"-18	1/2"-14	14.50	12.30	35.00	27.00
DANPF106Q-0806	1/2"-14	3/8"-19	11.20	9.90	36.50	27.00
DANPF106Q-0808	1/2"-14	1/2"-14	14.50	12.30	38.50	27.00
DANPF106Q-0812	1/2"-14	3/4"-14	14.50	15.50	39.50	36.00
DANPF106Q-1208	3/4"-14	1/2"-14	14.50	12.30	40.00	36.00
DANPF106Q-1212	3/4"-14	3/4"-14	14.50	15.50	40.00	36.00
DANPF106Q-1616	1"-11-1/2	1"-11	18.60	21.50	54.50	41.00
DANPF106Q-2016	1-1/4"-11-1/2	1"-11	18.60	21.50	54.00	50.00
DANPF106Q-2020	1-1/4"-11-1/2	1-1/4"-11	18.60	27.50	54.00	50.00
DANPF106Q-2424	1-1/2"-11-1/2	1-1/2"-11	18.60	33.00	54.50	60.33



DANPS1305

Straight Connector NPSM Swivel Female 60° - SAE Male + O Ring

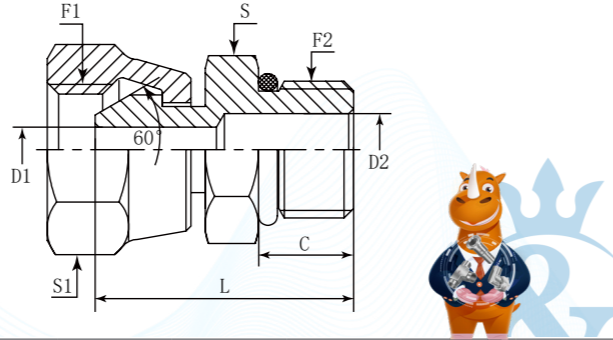
D	A	NPS	1	1	30	5
Company	Product Range	Thread Types	Connection Type	Adaptor Structure	Thread Types	Connection Type
DME	Adaptor	NPSM	Swivel Female	Straight	SAE UNF	Male + O Ring

German Technology Equipment

SHIELD FLEX

New-Standard

- DME&JDE Code:** DANPS1305
- Product Type:** Hydraulic Adaptor
- Standard:** NPTF
- Structure:** Straight
- Connection Type:** Swivel Female x Male
- Thread Types:** NPSM 60° x SAE + O Ring
- Sealing Method:** O Ring



PART NUMBER	F1 (Thread)	F2 (Thread)	C	D1	D2	L	S	S1	Hex
#	NPSM	UNF	mm	mm	mm	mm	-	-	-
DANPS1305-0204	1/8"-27	7/16"-20	9.14	2.79	4.37	25.4	14 mm	14 mm	Metric
DANPS1305-0204IN	1/8"-27	7/16"-20	9.14	2.79	4.37	25.4	9/16"	9/16"	Imperial
DANPS1305-0404	1/4"-18	7/16"-20	9.14	5.33	4.37	28.19	14 mm	19 mm	Metric
DANPS1305-0405	1/4"-18	1/2"-20	9.14	5.33	5.33	27.70	17 mm	19 mm	Metric
DANPS1305-0406	1/4"-18	9/16"-18	9.93	5.33	7.54	28.96	17 mm	19 mm	Metric
DANPS1305-0408	1/4"-18	3/4"-16	11.13	5.33	9.93	29.70	22 mm	19 mm	Metric
DANPS1305-0404IN	1/4"-18	7/16"-20	9.14	5.33	4.37	28.19	9/16"	11/16"	Imperial
DANPS1305-0405IN	1/4"-18	1/2"-20	9.14	5.33	5.33	27.70	5/8"	11/16"	Imperial
DANPS1305-0406IN	1/4"-18	9/16"-18	9.93	5.33	7.54	28.96	11/16"	11/16"	Imperial
DANPS1305-0408IN	1/4"-18	3/4"-16	11.13	5.33	9.93	29.70	7/8"	11/16"	Imperial
DANPS1305-0604	3/8"-18	7/16"-20	10.41	8.13	4.37	29.21	17 mm	22 mm	Metric
DANPS1305-0605	3/8"-18	1/2"-20	9.14	8.13	5.94	28.50	17 mm	22 mm	Metric
DANPS1305-0606	3/8"-18	9/16"-18	9.93	8.13	7.54	29.70	17 mm	22 mm	Metric
DANPS1305-0608	3/8"-18	3/4"-16	11.13	8.13	9.93	31.24	22 mm	22 mm	Metric
DANPS1305-0610	3/8"-18	7/8"-14	12.70	8.64	12.29	32.00	27 mm	22 mm	Metric
DANPS1305-0612	3/8"-18	1-1/16"-12	15.09	8.13	15.47	35.81	32 mm	22 mm	Metric
DANPS1305-0604IN	3/8"-18	7/16"-20	10.41	8.13	4.37	29.21	11/16"	7/8"	Imperial
DANPS1305-0605IN	3/8"-18	1/2"-20	9.14	8.13	5.94	28.50	11/16"	7/8"	Imperial
DANPS1305-0606IN	3/8"-18	9/16"-18	9.93	8.13	7.54	29.70	11/16"	7/8"	Imperial
DANPS1305-0608IN	3/8"-18	3/4"-16	11.13	8.13	9.93	31.24	7/8"	7/8"	Imperial
DANPS1305-0610IN	3/8"-18	7/8"-14	12.70	8.64	12.29	32.00	1"	7/8"	Imperial
DANPS1305-0612IN	3/8"-18	1-1/16"-12	15.09	8.13	15.47	35.81	1-1/4"	7/8"	Imperial
DANPS1305-0804	1/2"-14	7/16"-20	9.14	11.18	4.37	30.70	22 mm	27 mm	Metric

Web: <https://www.dmejde.com>
E-mail: info@dmejde.com



Certificate:

DANPS1305-0805	1/2"-14	1/2"-20	9.14	11.18	5.94	33.00	22 mm	27 mm	Metric
DANPS1305-0806	1/2"-14	9/16"-18	9.93	11.18	7.54	32.80	22 mm	27 mm	Metric
DANPS1305-0808	1/2"-14	3/4"-16	11.13	11.18	9.93	33.00	22 mm	27 mm	Metric
DANPS1305-0810	1/2"-14	7/8"-14	12.70	11.18	12.29	35.56	27 mm	27 mm	Metric
DANPS1305-0812	1/2"-14	1-1/16"-12	15.09	11.18	15.47	36.83	32 mm	27 mm	Metric
DANPS1305-0816	1/2"-14	1-5/16"-12	15.09	11.18	21.44	40.42	41 mm	27 mm	Metric
DANPS1305-0804IN	1/2"-14	7/16"-20	9.14	11.18	4.37	30.70	13/16"	1"	Imperial
DANPS1305-0805IN	1/2"-14	1/2"-20	9.14	11.18	5.94	33.00	13/16"	1"	Imperial
DANPS1305-0806IN	1/2"-14	9/16"-18	9.93	11.18	7.54	32.80	13/16"	1"	Imperial
DANPS1305-0808IN	1/2"-14	3/4"-16	11.13	11.18	9.93	33.00	7/8"	1"	Imperial
DANPS1305-0810IN	1/2"-14	7/8"-14	12.70	11.18	12.29	35.56	1"	1"	Imperial
DANPS1305-0812IN	1/2"-14	1-1/16"-12	15.09	11.18	15.47	36.83	1-1/4"	1"	Imperial
DANPS1305-0816IN	1/2"-14	1-5/16"-12	15.09	11.18	21.44	40.42	1-1/2"	1"	Imperial
DANPS1305-1208	3/4"-14	3/4"-16	11.13	15.49	9.93	35.80	27 mm	32 mm	Metric
DANPS1305-1210	3/4"-14	7/8"-14	12.70	16.13	12.29	34.80	27 mm	32 mm	Metric
DANPS1305-1212	3/4"-14	1-1/16"-12	15.09	15.47	15.47	40.60	32 mm	32 mm	Metric
DANPS1305-1214	3/4"-14	1-3/16"-12	15.09	15.49	18.26	40.90	36 mm	32 mm	Metric
DANPS1305-1216	3/4"-14	1-5/16"-12	15.09	15.49	21.44	43.94	41 mm	32 mm	Metric
DANPS1305-1220	3/4"-14	1-5/8"-12	15.09	15.49	27.38	42.20	50 mm	32 mm	Metric
DANPS1305-1208IN	3/4"-14	3/4"-16	11.13	15.49	9.93	35.80	1"	1-1/4"	Imperial
DANPS1305-1210IN	3/4"-14	7/8"-14	12.70	16.13	12.29	34.80	1"	1-1/4"	Imperial
DANPS1305-1212IN	3/4"-14	1-1/16"-12	15.09	15.47	15.47	40.60	1-1/4"	1-1/4"	Imperial
DANPS1305-1214IN	3/4"-14	1-3/16"-12	15.09	15.49	18.26	40.90	1-3/8"	1-1/4"	Imperial
DANPS1305-1216IN	3/4"-14	1-5/16"-12	15.09	15.49	21.44	43.94	1-1/2"	1-1/4"	Imperial
DANPS1305-1220IN	3/4"-14	1-5/8"-12	15.09	15.49	27.38	42.20	1-7/8"	1-1/4"	Imperial
DANPS1305-1612	1"-11-1/2	1-1/16"-12	15.09	19.81	15.47	43.00	32 mm	41 mm	Metric
DANPS1305-1614	1"-11-1/2	1-3/16"-12	15.09	19.81	18.26	43.00	36 mm	41 mm	Metric
DANPS1305-1616	1"-11-1/2	1-5/16"-12	15.09	19.81	21.44	43.50	41 mm	41 mm	Metric
DANPS1305-1620	1"-11-1/2	1-5/8"-12	15.09	19.81	27.38	45.78	50 mm	41 mm	Metric
DANPS1305-1612IN	1"-11-1/2	1-1/16"-12	15.09	19.81	15.47	43.00	1-1/4"	1-1/2"	Imperial
DANPS1305-1614IN	1"-11-1/2	1-3/16"-12	15.09	19.81	18.26	43.00	1-3/8"	1-1/2"	Imperial
DANPS1305-1616IN	1"-11-1/2	1-5/16"-12	15.09	19.81	21.44	43.50	1-1/2"	1-1/2"	Imperial
DANPS1305-1620IN	1"-11-1/2	1-5/8"-12	15.09	19.81	27.38	45.78	1-7/8"	1-1/2"	Imperial
DANPS1305-2016	1-1/4"-11-1/2	1-5/16"-12	15.09	25.65	21.44	46.55	46 mm	50 mm	Metric
DANPS1305-2020	1-1/4"-11-1/2	1-5/8"-12	15.09	25.65	25.65	45.50	50 mm	50 mm	Metric
DANPS1305-2024	1-1/4"-11-1/2	1-7/8"-12	15.09	25.65	33.32	49.50	55 mm	50 mm	Metric
DANPS1305-2016IN	1-1/4"-11-1/2	1-5/16"-12	15.09	25.65	21.44	46.55	1-11/16"	1-7/8"	Imperial
DANPS1305-2020IN	1-1/4"-11-1/2	1-5/8"-12	15.09	25.65	25.65	45.50	1-7/8"	1-7/8"	Imperial
DANPS1305-2024IN	1-1/4"-11-1/2	1-7/8"-12	15.09	25.65	33.32	49.50	2-1/8"	1-7/8"	Imperial
DANPS1305-2424	1-7/8"-12	1-7/8"-12	18.93	45.34	33.32	49.53	55 mm	55 mm	Metric
DANPS1305-2424IN	1-7/8"-12	1-7/8"-12	18.93	45.34	33.32	49.53	2-1/8"	2-1/8"	Imperial
DANPS1305-3232	2-1/2"-12	2"-11-1/2	15.09	43.69	45.25	53.70	70 mm	65 mm	Metric
DANPS1305-3232IN	2-1/2"-12	2"-11-1/2	15.09	43.69	45.25	53.70	2-3/4"	2-5/8"	Imperial

Certificate:

Web: <https://www.dmejde.com>
E-mail: info@dmejde.com



DANPF128F

Hexagon Straight Coupling NPTF Female - NPTF Female

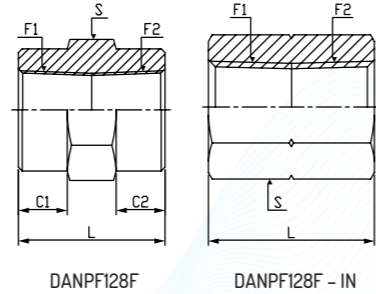
D	A	NP	F	1	28	F
Company	Product Range	Thread Types	Connection Type	Adaptor Structure	Thread Types	Connection Type
DME	Adaptor	NPTF	Female	Hexagon Straight	NPTF	Female

German Technology Equipment

SHIELD FLEX

New-Standard

- DME&JDE Code:** DANPF128F
- Product Type:** Hydraulic Adaptor
- Standard:** NPTF
- Connection Type:** Female x Female
- Thread Types:** NPTF x NPTF
- Sealing Method:** O Ring
- Other Features:** Hexagon



PART NUMBER	F1 (Thread)	F2 (Thread)	C1	C2	L	S	Hex
#	NPTF	NPTF	mm	mm	mm	-	-
DANPF128F-0202	1/8"-27	1/8"-27	6.35	6.35	19.05	17 mm	Metric
DANPF128F-0202IN	1/8"-27	1/8"-27	6.35	6.35	19.05	5/8"	Imperial
DANPF128F-0402	1/4"-18	1/8"-27	10.92	10.92	28.70	19 mm	Metric
DANPF128F-0404	1/4"-18	1/4"-18	10.92	10.92	28.70	19 mm	Metric
DANPF128F-0402IN	1/4"-18	1/8"-27	10.92	10.92	28.70	3/4"	Imperial
DANPF128F-0404IN	1/4"-18	1/4"-18	10.92	10.92	28.70	3/4"	Imperial
DANPF128F-0602	3/8"-18	1/8"-27	10.92	10.92	28.70	22 mm	Metric
DANPF128F-0604	3/8"-18	1/4"-18	10.90	10.90	28.70	22 mm	Metric
DANPF128F-0606	3/8"-18	3/8"-18	10.92	10.92	28.70	22 mm	Metric
DANPF128F-0602IN	3/8"-18	1/8"-27	10.92	10.92	28.70	7/8"	Imperial
DANPF128F-0604IN	3/8"-18	1/4"-18	10.90	10.90	28.70	7/8"	Imperial
DANPF128F-0606IN	3/8"-18	3/8"-18	10.92	10.92	28.70	7/8"	Imperial
DANPF128F-0802	1/2"-14	1/8"-27	14.22	14.22	38.10	27 mm	Metric
DANPF128F-0804	1/2"-14	1/4"-18	14.22	14.22	38.10	27 mm	Metric
DANPF128F-0806	1/2"-14	3/8"-18	14.22	14.22	38.10	27 mm	Metric
DANPF128F-0808	1/2"-14	1/2"-14	14.22	14.22	38.10	27 mm	Metric
DANPF128F-0802IN	1/2"-14	1/8"-27	14.22	14.22	38.10	1-1/8"	Imperial
DANPF128F-0804IN	1/2"-14	1/4"-18	14.22	14.22	38.10	1-1/8"	Imperial

DANPF128F-0806IN	1/2"-14	3/8"-18	14.22	14.22	38.10	1-1/8"	Imperial
DANPF128F-0808IN	1/2"-14	1/2"-14	14.22	14.22	38.10	1-1/8"	Imperial
DANPF128F-1204	3/4"-14	1/4"-18	14.22	14.22	38.90	36 mm	Metric
DANPF128F-1206	3/4"-14	3/8"-18	14.22	14.22	38.90	36 mm	Metric
DANPF128F-1208	3/4"-14	1/2"-14	14.22	14.22	38.90	36 mm	Metric
DANPF128F-1212	3/4"-14	3/4"-14	14.22	14.22	38.86	36 mm	Metric
DANPF128F-1204IN	3/4"-14	1/4"-18	14.22	14.22	38.90	1-3/8"	Imperial
DANPF128F-1206IN	3/4"-14	3/8"-18	14.22	14.22	38.90	1-3/8"	Imperial
DANPF128F-1208IN	3/4"-14	1/2"-14	14.22	14.22	38.90	1-3/8"	Imperial
DANPF128F-1212IN	3/4"-14	3/4"-14	14.22	14.22	38.86	1-3/8"	Imperial
DANPF128F-1606	1"-11-1/2	3/8"-18	17.53	17.53	48.00	41 mm	Metric
DANPF128F-1608	1"-11-1/2	1/2"-14	17.53	17.53	48.00	41 mm	Metric
DANPF128F-1612	1"-11-1/2	3/4"-14	17.53	17.53	48.00	41 mm	Metric
DANPF128F-1616	1"-11-1/2	1"-11-1/2	17.53	17.53	48.01	41 mm	Metric
DANPF128F-1606IN	1"-11-1/2	3/8"-18	17.53	17.53	48.00	1-5/8"	Imperial
DANPF128F-1608IN	1"-11-1/2	1/2"-14	17.53	17.53	48.00	1-5/8"	Imperial
DANPF128F-1612IN	1"-11-1/2	3/4"-14	17.53	17.53	48.00	1-5/8"	Imperial
DANPF128F-1616IN	1"-11-1/2	1"-11-1/2	17.53	17.53	48.01	1-5/8"	Imperial
DANPF128F-2012	1-1/4"-11-1/2	3/4"-14	17.53	17.53	49.00	50 mm	Metric
DANPF128F-2016	1-1/4"-11-1/2	1"-11-1/2	17.53	17.53	49.00	50 mm	Metric
DANPF128F-2020	1-1/4"-11-1/2	1-1/4"-11-1/2	17.50	17.50	49.02	50 mm	Metric
DANPF128F-2012IN	1-1/4"-11-1/2	3/4"-14	17.53	17.53	49.00	2"	Imperial
DANPF128F-2016IN	1-1/4"-11-1/2	1"-11-1/2	17.53	17.53	49.00	2"	Imperial
DANPF128F-2020IN	1-1/4"-11-1/2	1-1/4"-11-1/2	17.50	17.50	49.02	2"	Imperial
DANPF128F-2416	1-1/2"-11-1/2	1-11-1/2	17.53	17.53	49.02	60 mm	Metric
DANPF128F-2420	1-1/2"-11-1/2	1-1/4"-11-1/2	17.53	17.53	49.02	60 mm	Metric
DANPF128F-2424	1-1/2"-11-1/2	1-1/2"-11-1/2	17.50	17.50	49.02	60 mm	Metric
DANPF128F-2416IN	1-1/2"-11-1/2	1-11-1/2	17.53	17.53	49.02	2-3/8"	Imperial
DANPF128F-2420IN	1-1/2"-11-1/2	1-1/4"-11-1/2	17.53	17.53	49.02	2-3/8"	Imperial
DANPF128F-2424IN	1-1/2"-11-1/2	1-1/2"-11-1/2	17.50	17.50	49.02	2-3/8"	Imperial
DANPF128F-3224	2"-11-1/2	1-1/2"-11-1/2	16.00	16.00	49.78	73 mm	Metric
DANPF128F-3232	2"-11-1/2	2"-11-1/2	16.00	16.00	49.78	73 mm	Metric
DANPF128F-3224IN	2"-11-1/2	1-1/2"-11-1/2	16.00	16.00	49.78	2-7/8"	Imperial
DANPF128F-3232IN	2"-11-1/2	2"-11-1/2	16.00	16.00	49.78	2-7/8"	Imperial



DANP31000

Hexagon Socket Plug NPTF Male

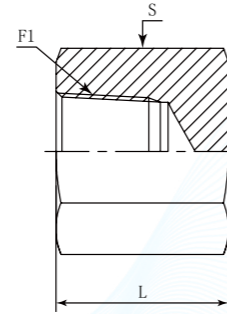
D	A	NP	3	1	000
Company	Product Range	Thread Types	Adaptor Structure	Adaptor Structure	Other Features
DME	Adaptor	NPTF	Male	Straight	Nut/Plug

German Technology Equipment

SHIELD FLEX

New-Standard

- DME&JDE Code: **DANP31000**
- Product Type: **Hydraulic Adaptor**
- Standard: **NPTF**
- Connection Type: **Slip-on Female**
- Thread Types: **NPTF**
- Other Features: **Nut/Plug**



PART NUMBER	F1 (Thread)	L	S	Hex
#	NPTF	mm	-	-
DANP31000-02	1/8"-27	17.00-19.00	14 mm	Metric
DANP31000-02IN	1/8"-27	17.00-19.00	9/16"	Imperial
DANP31000-04	1/4"-18	23.10	19 mm	Metric
DANP31000-04IN	1/4"-18	23.10	3/4"	Imperial
DANP31000-06	3/8"-18	20.60	17 mm	Metric
DANP31000-06IN	3/8"-18	20.60	11/16"	Imperial
DANP31000-08	1/2"-14	25.40	27 mm	Metric
DANP31000-08IN	1/2"-14	25.40	1"	Imperial
DANP31000-12	3/4"-14	28.70	30 mm	Metric
DANP31000-12IN	3/4"-14	28.70	1-3/16"	Imperial
DANP31000-16	1"-11-1/2	29.21	41 mm	Metric
DANP31000-16IN	1"-11-1/2	29.21	1-1/2"	Imperial
DANP31000-20	1-1/4"-11-1/2	31.80	50 mm	Metric
DANP31000-20IN	1-1/4"-11-1/2	31.80	2"	Imperial
DANP31000-24	1-1/2"-11-1/2	39.12	60 mm	Metric
DANP31000-24IN	1-1/2"-11-1/2	39.12	2-3/8"	Imperial
DANP31000-32	2"-11-1/2	34.80	73 mm	Metric
DANP31000-32IN	2"-11-1/2	34.80	2-7/8"	Imperial

DANP21000-HHP

Hexagon Socket Plug NPTF Male

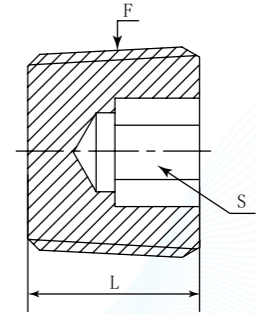
D	A	NP	2	1	000	HHP
Company	Product Range	Thread Types	Connection Type	Adaptor Structure	Other Features	Plug Head Type
DME	Adaptor	NPTF	Male	Straight	Nut/Plug	Hexagon Head

German Technology Equipment

SHIELD FLEX

New-Standard

- DME&JDE Code: **DANP21000-HHP**
- Product Type: **Hydraulic Adaptor**
- Standard: **NPTF**
- Connection Type: **Male**
- Thread Types: **NPTF**
- Other Features: **Nut/Plug**



PART NUMBER	F (Thread)	L	S
#	NPTF	mm	mm
DANP21000-HHP-0100	1/16"-27	7.90	1/6"
DANP21000-HHP-0200	1/8"-27	7.90	3/16"
DANP21000-HHP-0400	1/4"-18	12.10	1/4"
DANP21000-HHP-0600	3/8"-18	12.10	5/16"
DANP21000-HHP-0800	1/2"-14	16.00	3/8"
DANP21000-HHP-1200	3/4"-14	16.26	9/16"
DANP21000-HHP-1600	1"-11-1/2	20.07	5/8"
DANP21000-HHP-2000	1-1/4"-11-1/2	21.10	3/4"
DANP21000-HHP-2400	1-1/2"-11-1/2	21.10	1"
DANP21000-HHP-3200	2"-11-1/2	22.10	3/4"



DANPF1091

Straight Connector NPTF Female - NPSM Swivel Female 60°

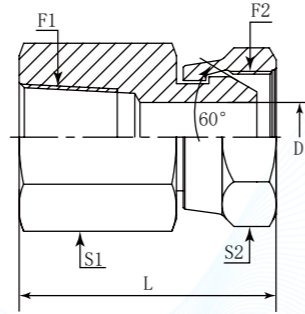
D	A	NP	F	1	091
Company	Product Range	Thread Types	Connection Type	Adaptor Structure	Connection Type
DME	Adaptor	NPTF	Female	Straight	NPSM Swivel Female

German Technology Equipment

SHIELD FLEX

New-Standard

- DME&JDE Code:** DANPF1091
- Product Type:** Hydraulic Adaptor
- Standard:** NPTF
- Structure:** Straight
- Connection Type:** Female x Swivel Female
- Thread Types:** NPTF x NPSM 60°



PART NUMBER	F1 (Thread)	F2 (Thread)	D	L	S1	S2	Hex
#	NPTF	NPSM	mm	mm	-	-	-
DANPF1091-0202	1/8"-27	1/8"-27	2.79	22.35	14 mm	14 mm	Metric
DANPF1091-0204	1/8"-27	1/4"-18	5.33	27.90	14 mm	19 mm	Metric
DANPF1091-0202IN	1/8"-27	1/8"-27	2.79	22.35	9/16"	9/16"	Imperial
DANPF1091-0204IN	1/8"-27	1/4"-18	5.33	27.90	9/16"	11/16"	Imperial
DANPF1091-0402	1/4"-18	1/8"-27	2.79	29.72	17 mm	14 mm	Metric
DANPF1091-0404	1/4"-18	1/4"-18	5.33	31.24	17 mm	19 mm	Metric
DANPF1091-0406	1/4"-18	3/8"-18	8.13	32.30	17 mm	22 mm	Metric
DANPF1091-0402IN	1/4"-18	1/8"-27	2.79	29.72	11/16"	9/16"	Imperial
DANPF1091-0404IN	1/4"-18	1/4"-18	5.33	31.24	11/16"	11/16"	Imperial
DANPF1091-0406IN	1/4"-18	3/8"-18	8.13	32.30	11/16"	7/8"	Imperial
DANPF1091-0604	3/8"-18	1/4"-18	5.33	32.76	22 mm	19 mm	Metric
DANPF1091-0606	3/8"-18	3/8"-18	8.13	33.27	22 mm	22 mm	Metric
DANPF1091-0608	3/8"-18	1/2"-14	11.18	38.10	22 mm	27 mm	Metric
DANPF1091-0604IN	3/8"-18	1/4"-18	5.33	32.76	7/8"	11/16"	Imperial
DANPF1091-0606IN	3/8"-18	3/8"-18	8.13	33.27	7/8"	7/8"	Imperial
DANPF1091-0608IN	3/8"-18	1/2"-14	11.18	38.10	7/8"	1"	Imperial

DANPF1091-0804	1/2"-14	1/4"-18	5.33	39.62	27 mm	19 mm	Metric
DANPF1091-0806	1/2"-14	3/8"-18	8.64	36.83	27 mm	22 mm	Metric
DANPF1091-0808	1/2"-14	1/2"-14	11.18	39.62	27 mm	27 mm	Metric
DANPF1091-0812	1/2"-14	3/4"-14	15.49	41.10	32 mm	32 mm	Metric
DANPF1091-0804IN	1/2"-14	1/4"-18	5.33	39.62	1"	11/16"	Imperial
DANPF1091-0806IN	1/2"-14	3/8"-18	8.64	36.83	1"	7/8"	Imperial
DANPF1091-0808IN	1/2"-14	1/2"-14	11.18	39.62	1"	1"	Imperial
DANPF1091-0812IN	1/2"-14	3/4"-14	15.49	41.10	1-1/4"	1-1/4"	Imperial
DANPF1091-1206	3/4"-14	3/8"-18	8.13	42.80	32 mm	22 mm	Metric
DANPF1091-1208	3/4"-14	1/2"-14	11.68	41.40	32 mm	27 mm	Metric
DANPF1091-1212	3/4"-14	3/4"-14	15.49	41.15	32 mm	32 mm	Metric
DANPF1091-1216	3/4"-14	1"-11-1/2	19.81	46.50	41 mm	41 mm	Metric
DANPF1091-1206IN	3/4"-14	3/8"-18	8.13	42.80	1-1/4"	7/8"	Imperial
DANPF1091-1208IN	3/4"-14	1/2"-14	11.68	41.40	1-1/4"	1"	Imperial
DANPF1091-1212IN	3/4"-14	3/4"-14	15.49	41.15	1-1/4"	1-1/4"	Imperial
DANPF1091-1216IN	3/4"-14	1"-11-1/2	19.81	46.50	1-1/2"	1-1/2"	Imperial
DANPF1091-1612	1"-11-1/2	3/4"-14	15.49	48.30	41 mm	32 mm	Metric
DANPF1091-1616	1"-11-1/2	1"-11-1/2	19.81	50.80	41 mm	41 mm	Metric
DANPF1091-1620	1"-11-1/2	1-1/4"-11-1/2	25.65	50.30	50 mm	50 mm	Metric
DANPF1091-1612IN	1"-11-1/2	3/4"-14	15.49	48.30	1-1/2"	1-1/4"	Imperial
DANPF1091-1616IN	1"-11-1/2	1"-11-1/2	19.81	50.80	1-1/2"	1-1/2"	Imperial
DANPF1091-1620IN	1"-11-1/2	1-1/4"-11-1/2	25.65	50.30	1-7/8"	1-7/8"	Imperial
DANPF1091-2020	1-1/4"-11-1/2	1-1/4"-11-1/2	25.65	50.30	50 mm	50 mm	Metric
DANPF1091-2020IN	1-1/4"-11-1/2	1-1/4"-11-1/2	25.65	50.30	1-7/8"	1-7/8"	Imperial
DANPF1091-2420	1-1/2"-11-1/2	1-1/4"-11-1/2	25.65	52.50	55 mm	50 mm	Metric
DANPF1091-2424	1-1/2"-11-1/2	1-1/2"-11-1/2	31.75	55.37	55 mm	55 mm	Metric
DANPF1091-2420IN	1-1/2"-11-1/2	1-1/4"-11-1/2	25.65	52.50	2-1/8"	1-7/8"	Imperial
DANPF1091-2424IN	1-1/2"-11-1/2	1-1/2"-11-1/2	31.75	55.37	2-1/8"	2-1/8"	Imperial
DANPF1091-3232	2"-11-1/2	2"-11-1/2	43.69	57.15	65 mm	70 mm	Metric
DANPF1091-3232IN	2"-11-1/2	2"-11-1/2	43.69	57.15	2-5/8"	2-5/8"	Imperial



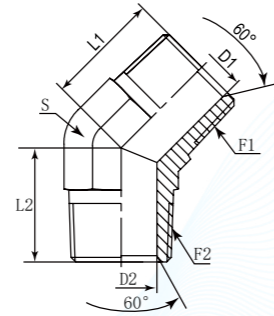
DANPM428M

45° Elbow Connector NPTF Male 60° - NPTF Male 60°

D	A	NP	M	4	28	M
Company	Product Range	Thread Types	Connection Type	Adaptor Structure	Thread Types	Connection Type
DME	Adaptor	NPTF	Male	45° Elbow	NPTF	Male



DME&JDE Code:	DANPM428M
Product Type	Hydraulic Adaptor
Standard:	NPTF
Structure:	45° Elbow
Connection Type:	Male x Male
Thread Types:	NPTF 60° x NPTF 60°



PART NUMBER	F1 (Thread)	F2 (Thread)	L1	L2	D1	D2	S	Hex
#	NPTF	NPTF	mm	mm	mm	mm	-	-
DANPM428M-0202	1/8"-27	1/8"-27	16.20	16.20	4.78	4.78	11 mm	Metric
DANPM428M-0202IN	1/8"-27	1/8"-27	16.20	16.20	4.78	4.78	7/16"	Imperial
DANPM428M-0404	1/4"-18	1/4"-18	21.80	21.80	7.14	7.14	14 mm	Metric
DANPM428M-0404IN	1/4"-18	1/4"-18	21.80	21.80	7.14	7.14	9/16"	Imperial
DANPM428M-0604	3/8"-18	1/4"-18	24.10	24.10	10.31	7.14	19 mm	Metric
DANPM428M-0606	3/8"-18	3/8"-18	24.10	24.10	10.31	10.31	19 mm	Metric
DANPM428M-0604IN	3/8"-18	1/4"-18	24.10	24.10	10.31	7.14	3/4"	Imperial
DANPM428M-0606IN	3/8"-18	3/8"-18	24.10	24.10	10.31	10.31	3/4"	Imperial
DANPM428M-0808	1/2"-14	1/2"-14	29.70	29.70	13.49	13.49	22 mm	Metric
DANPM428M-0808IN	1/2"-14	1/2"-14	29.70	29.70	13.49	13.49	7/8"	Imperial
DANPM428M-1208	3/4"-14	1/2"-14	30.50	30.50	18.26	13.49	27 mm	Metric
DANPM428M-1212	3/4"-14	3/4"-14	30.50	30.50	18.26	18.26	27 mm	Metric
DANPM428M-1208IN	3/4"-14	1/2"-14	30.50	30.50	18.26	13.49	1-1/16"	Imperial
DANPM428M-1212IN	3/4"-14	3/4"-14	30.50	30.50	18.26	18.26	1-1/16"	Imperial
DANPM428M-1616	1"-11-1/2	1"-11-1/2	37.60	37.60	23.83	23.83	33 mm	Metric
DANPM428M-1616IN	1"-11-1/2	1"-11-1/2	37.60	37.60	23.83	23.83	1-5/16"	Imperial
DANPM428M-2020	1-1/4"-11-1/2	1-1/4"-11-1/2	42.40	42.40	31.75	31.75	41 mm	Metric
DANPM428M-2020IN	1-1/4"-11-1/2	1-1/4"-11-1/2	42.40	42.40	31.75	31.75	1-5/8"	Imperial
DANPM428M-2424	1-1/2"-11-1/2	1-1/2"-11-1/2	44.96	44.96	38.10	38.10	50 mm	Metric
DANPM428M-2424IN	1-1/2"-11-1/2	1-1/2"-11-1/2	44.96	44.96	38.10	38.10	1-7/8"	Imperial
DANPM428M-3232	2"-11-1/2	2"-11-1/2	53.60	53.60	49.23	49.23	60 mm	Metric
DANPM428M-3232IN	2"-11-1/2	2"-11-1/2	53.60	53.60	49.23	49.23	2-1/2"	Imperial

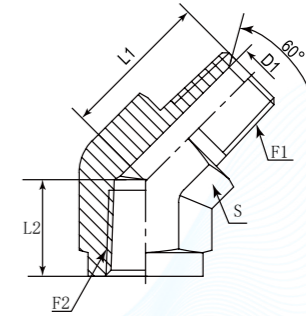
DANPM428F

45° Elbow Connector NPTF Male 60° - NPTF Female

D	A	NP	M	4	28	F
Company	Product Range	Thread Types	Connection Type	Adaptor Structure	Thread Types	Connection Type
DME	Adaptor	NPTF	Male	45° Elbow	NPTF	Female



DME&JDE Code:	DANPM428F
Product Type	Hydraulic Adaptor
Standard:	NPTF
Structure:	45° Elbow
Connection Type:	Male x Female
Thread Types:	NPTF 60° x NPTF



PART NUMBER	F1 (Thread)	F2 (Thread)	L1	L2	D1	S	Hex
#	NPTF	NPTF	mm	mm	mm	-	-
DANPM428F-0202	1/8"-27	1/8"-27	18.30	11.90	4.78	14 mm	Metric
DANPM428F-0202IN	1/8"-27	1/8"-27	18.30	11.90	4.78	9/16"	Imperial
DANPM428F-0404	1/4"-18	1/4"-18	26.70	15.80	7.14	19 mm	Metric
DANPM428F-0404IN	1/4"-18	1/4"-18	26.70	15.80	7.14	3/4"	Imperial
DANPM428F-0604	3/8"-18	1/4"-18	26.90	18.00	10.31	22 mm	Metric
DANPM428F-0606	3/8"-18	3/8"-18	26.90	18.30	10.31	22 mm	Metric
DANPM428F-0604IN	3/8"-18	1/4"-18	26.90	18.00	10.31	7/8"	Imperial
DANPM428F-0606IN	3/8"-18	3/8"-18	26.90	18.30	10.31	7/8"	Imperial
DANPM428F-0808	1/2"-14	1/2"-14	34.00	23.10	13.49	27 mm	Metric
DANPM428F-0808IN	1/2"-14	1/2"-14	34.00	23.10	13.49	1-1/16"	Imperial
DANPM428F-1212	3/4"-14	3/4"-14	35.10	24.60	18.26	33 mm	Metric
DANPM428F-1212IN	3/4"-14	3/4"-14	35.10	24.60	18.26	1-5/16"	Imperial
DANPM428F-1616	1"-11-1/2	1"-11-1/2	43.70	28.50	23.83	41 mm	Metric
DANPM428F-1620	1"-11-1/2	1-1/4"-11-1/2	45.70	41.40	23.83	50 mm	Metric
DANPM428F-1616IN	1"-11-1/2	1"-11-1/2	43.70	28.50	23.83	1-5/8"	Imperial
DANPM428F-1620IN	1"-11-1/2	1-1/4"-11-1/2	45.70	41.40	23.83	1-7/8"	Imperial
DANPM428F-2020	1-1/4"-11-1/2	1-1/4"-11-1/2	45.70	41.40	31.75	50 mm	Metric
DANPM428F-2020IN	1-1/4"-11-1/2	1-1/4"-11-1/2	45.70	41.40	31.75	1-7/8"	Imperial
DANPM428F-2424	1-1/2"-11-1/2	1-1/2"-11-1/2	52.30	42.90	38.10	65 mm	Metric
DANPM428F-2424IN	1-1/2"-11-1/2	1-1/2"-11-1/2	52.30	42.90	38.10	2-9/16"	Imperial
DANPM428F-3232	2"-11-1/2	2"-11-1/2	54.61	55.63	49.23	70 mm	Metric
DANPM428F-3232IN	2"-11-1/2	2"-11-1/2	54.61	55.63	49.23	2-13/16"	Imperial

DANPM4091

45° Elbow Connector NPTF Male - NPSM Swivel Female 60°

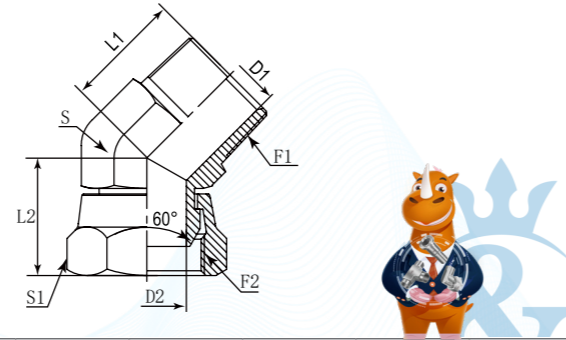
D	A	NP	M	4	091
Company	Product Range	Thread Types	Connection Type	Adaptor Structure	Connection Type
DME	Adaptor	NPTF	Male	45° Elbow	NPSM Swivel Female

German Technology Equipment

SHIELD FLEX

New-Standard

- DME&JDE Code:** DANPM4091
- Product Type:** Hydraulic Adaptor
- Standard:** NPTF
- Structure:** 45° Elbow
- Connection Type:** Male x Swivel Female
- Thread Types:** NPTF x NPSM 60°



PART NUMBER	F1 (Thread)	F2 (Thread)	L1	L2	D1	D2	S	S1	Hex
#	NPTF	NPSM	mm	mm	mm	mm	-	-	-
DANPM4091-0202	1/8"-27	1/8"-27	16.30	16.20	4.78	2.79	11 mm	14 mm	Metric
DANPM4091-0204	1/8"-27	1/4"-18	17.00	18.50	4.78	5.33	14 mm	19 mm	Metric
DANPM4091-0202IN	1/8"-27	1/8"-27	16.30	16.20	4.78	2.79	7/16"	9/16"	Imperial
DANPM4091-0204IN	1/8"-27	1/4"-18	17.00	18.50	4.78	5.33	9/16"	11/16"	Imperial
DANPM4091-0402	1/4"-18	1/8"-27	21.80	16.00	7.14	2.79	14 mm	14 mm	Metric
DANPM4091-0404	1/4"-18	1/4"-18	21.80	18.50	7.14	5.33	14 mm	19 mm	Metric
DANPM4091-0406	1/4"-18	3/8"-18	24.13	20.57	7.14	8.13	19 mm	22 mm	Metric
DANPM4091-0408	1/4"-18	1/2"-14	24.89	22.35	7.14	11.18	22 mm	27 mm	Metric
DANPM4091-0402IN	1/4"-18	1/8"-27	21.80	16.00	7.14	2.79	9/16"	9/16"	Imperial
DANPM4091-0404IN	1/4"-18	1/4"-18	21.80	18.50	7.14	5.33	9/16"	11/16"	Imperial
DANPM4091-0406IN	1/4"-18	3/8"-18	24.13	20.57	7.14	8.13	3/4"	7/8"	Imperial
DANPM4091-0408IN	1/4"-18	1/2"-14	24.89	22.35	7.14	11.18	7/8"	1"	Imperial
DANPM4091-0604	3/8"-18	1/4"-18	24.10	20.07	10.31	5.33	19 mm	19 mm	Metric
DANPM4091-0606	3/8"-18	3/8"-18	24.10	20.57	10.31	8.13	19 mm	22 mm	Metric
DANPM4091-0608	3/8"-18	1/2"-14	24.10	22.35	10.31	11.18	22 mm	27 mm	Metric
DANPM4091-0604IN	3/8"-18	1/4"-18	24.10	20.07	10.31	5.33	3/4"	11/16"	Imperial
DANPM4091-0606IN	3/8"-18	3/8"-18	24.10	20.57	10.31	8.13	3/4"	7/8"	Imperial

Web: <https://www.dmejde.com>
E-mail: info@dmejde.com



DANPM4091-0608IN	3/8"-18	1/2"-14	24.10	22.35	10.31	11.18	7/8"	1"	Imperial
DANPM4091-0804	1/2"-14	1/4"-18	29.70	20.07	13.49	5.33	22 mm	19 mm	Metric
DANPM4091-0806	1/2"-14	3/8"-18	29.70	20.57	13.49	8.13	22 mm	22 mm	Metric
DANPM4091-0808	1/2"-14	1/2"-14	29.70	22.35	13.49	11.18	22 mm	27 mm	Metric
DANPM4091-0812	1/2"-14	3/4"-14	30.48	23.83	13.49	15.49	27 mm	32 mm	Metric
DANPM4091-0804IN	1/2"-14	1/4"-18	29.70	20.07	13.49	5.33	7/8"	11/16"	Imperial
DANPM4091-0806IN	1/2"-14	3/8"-18	29.70	20.57	13.49	8.13	7/8"	7/8"	Imperial
DANPM4091-0808IN	1/2"-14	1/2"-14	29.70	22.35	13.49	11.18	7/8"	1"	Imperial
DANPM4091-0812IN	1/2"-14	3/4"-14	30.48	23.83	13.49	15.49	1-1/16"	1-1/4"	Imperial
DANPM4091-1206	3/4"-14	3/8"-18	30.48	21.86	18.26	8.13	27 mm	22 mm	Metric
DANPM4091-1208	3/4"-14	1/2"-14	30.50	23.64	18.26	11.18	27 mm	27 mm	Metric
DANPM4091-1212	3/4"-14	3/4"-14	30.50	25.90	18.26	15.49	27 mm	32 mm	Metric
DANPM4091-1216	3/4"-14	1"-11-1/2	32.77	29.21	18.26	19.81	33 mm	41 mm	Metric
DANPM4091-1206IN	3/4"-14	3/8"-18	30.48	21.86	18.26	8.13	1-1/16"	7/8"	Imperial
DANPM4091-1208IN	3/4"-14	1/2"-14	30.50	23.64	18.26	11.18	1-1/16"	1"	Imperial
DANPM4091-1212IN	3/4"-14	3/4"-14	30.50	25.90	18.26	15.49	1-1/16"	1-1/4"	Imperial
DANPM4091-1216IN	3/4"-14	1"-11-1/2	32.77	29.21	18.26	19.81	1-5/16"	1-1/2"	Imperial
DANPM4091-1612	1"-11-1/2	3/4"-14	37.60	28.45	23.83	15.49	33 mm	32 mm	Metric
DANPM4091-1616	1"-11-1/2	1"-11-1/2	37.60	29.21	23.83	19.81	33 mm	41 mm	Metric
DANPM4091-1620	1"-11-1/2	1-1/4"-11-1/2	41.65	31.25	23.83	25.65	41 mm	50 mm	Metric
DANPM4091-1612IN	1"-11-1/2	3/4"-14	37.60	28.45	23.83	15.49	1-5/16"	1-1/4"	Imperial
DANPM4091-1616IN	1"-11-1/2	1"-11-1/2	37.60	29.21	23.83	19.81	1-5/16"	1-1/2"	Imperial
DANPM4091-1620IN	1"-11-1/2	1-1/4"-11-1/2	41.65	31.25	23.83	25.65	1-5/8"	1-7/8"	Imperial
DANPM4091-2016	1-1/4"-11-1/2	1"-11-1/2	42.40	31.20	31.75	19.81	41 mm	41 mm	Metric
DANPM4091-2020	1-1/4"-11-1/2	1-1/4"-11-1/2	42.40	31.20	31.75	25.65	41 mm	50 mm	Metric
DANPM4091-2016IN	1-1/4"-11-1/2	1"-11-1/2	42.40	31.20	31.75	19.81	1-5/8"	1-1/2"	Imperial
DANPM4091-2020IN	1-1/4"-11-1/2	1-1/4"-11-1/2	42.40	31.20	31.75	25.65	1-5/8"	1-7/8"	Imperial
DANPM4091-2424	1-1/2"-11-1/2	1-1/2"-11-1/2	45.00	34.30	38.10	31.75	50 mm	55 mm	Metric
DANPM4091-2424IN	1-1/2"-11-1/2	1-1/2"-11-1/2	45.00	34.30	38.10	31.75	1-7/8"	2-1/8"	Imperial
DANPM4091-3232	2"-11-1/2	2"-11-1/2	53.60	41.90	49.23	43.69	60 mm	70 mm	Metric
DANPM4091-3232IN	2"-11-1/2	2"-11-1/2	53.60	41.90	49.23	43.69	2-1/2"	2-5/8"	Imperial



Web: <https://www.dmejde.com>
E-mail: info@dmejde.com



DANPS4305

45° Adjustable Elbow NPSM Swivel Female 60° - SAE Male O Ring

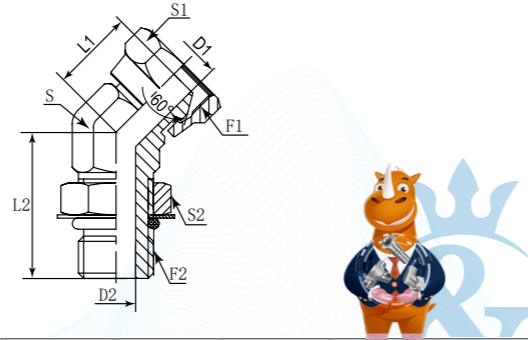
D	A	NPS	4	30	5
Company	Product Range	Thread Types	Adaptor Structure	Thread Types	Connection Type
DME	Adaptor	NPSM	45° Elbow	SAE UNF	Male O Ring

German Technology Equipment

SHIELD FLEX

New-Standard

- DME&JDE Code: **DANPS4305**
- Product Type: **Hydraulic Adaptor**
- Standard: **NPTF**
- Structure: **45° Adjustable Elbow**
- Connection Type: **Swivel Female x Male**
- Thread Types: **NPSM 60° x UNF + O Ring**
- Sealing Method: **O Ring**



PART NUMBER	F1 (Thread)	F2 (Thread)	L1	L2	D1	D2	S	S1	S2	Hex
#	NPSM	UNF	mm	mm	mm	mm	-	-	-	-
DANPS4305-0404	1/4"-18	7/16"-20	15.50	26.70	5.33	4.37	14 mm	19 mm	14 mm	Metric
DANPS4305-0406	1/4"-18	9/16"-18	20.57	29.00	5.33	7.54	14 mm	19 mm	17 mm	Metric
DANPS4305-0408	1/4"-18	3/4"-16	20.07	33.00	5.33	9.93	19 mm	19 mm	22 mm	Metric
DANPS4305-0404IN	1/4"-18	7/16"-20	15.50	26.70	5.33	4.37	9/16"	11/16"	9/16"	Imperial
DANPS4305-0406IN	1/4"-18	9/16"-18	20.57	29.00	5.33	7.54	9/16"	11/16"	11/16"	Imperial
DANPS4305-0408IN	1/4"-18	3/4"-16	20.07	33.00	5.33	9.93	3/4"	11/16"	7/8"	Imperial
DANPS4305-0604	3/8"-18	7/16"-20	18.96	26.16	8.13	4.37	14 mm	22 mm	14 mm	Metric
DANPS4305-0606	3/8"-18	9/16"-18	21.08	28.96	8.13	7.54	14 mm	22 mm	17 mm	Metric
DANPS4305-0608	3/8"-18	3/4"-16	20.57	33.00	8.13	9.93	19 mm	22 mm	22 mm	Metric
DANPS4305-0610	3/8"-18	7/8"-14	19.22	38.60	8.13	12.29	22 mm	22 mm	27 mm	Metric
DANPS4305-0612	3/8"-18	1-1/16"-12	23.80	43.90	8.13	15.47	27 mm	22 mm	32 mm	Metric
DANPS4305-0604IN	3/8"-18	7/16"-20	18.96	26.16	8.13	4.37	9/16"	7/8"	9/16"	Imperial
DANPS4305-0606IN	3/8"-18	9/16"-18	21.08	28.96	8.13	7.54	9/16"	7/8"	11/16"	Imperial
DANPS4305-0608IN	3/8"-18	3/4"-16	20.57	33.00	8.13	9.93	3/4"	7/8"	7/8"	Imperial
DANPS4305-0610IN	3/8"-18	7/8"-14	19.22	38.60	8.13	12.29	7/8"	7/8"	1"	Imperial
DANPS4305-0612IN	3/8"-18	1-1/16"-12	23.80	43.90	8.13	15.47	1-1/16"	7/8"	1-1/4"	Imperial
DANPS4305-0804	1/2"-14	7/16"-20	23.90	28.20	11.18	4.37	19 mm	27 mm	14 mm	Metric
DANPS4305-0808	1/2"-14	3/4"-16	22.61	33.00	11.18	9.93	19 mm	27 mm	22 mm	Metric
DANPS4305-0810	1/2"-14	7/8"-14	22.35	38.60	11.18	12.29	22 mm	27 mm	27 mm	Metric

Web: <https://www.dmejde.com>
E-mail: info@dmejde.com



DANPS4305-0812	1/2"-14	1-1/16"-12	25.90	43.90	11.18	15.47	27 mm	27 mm	32 mm	Metric
DANPS4305-0804IN	1/2"-14	7/16"-20	23.90	28.20	11.18	4.37	3/4"	1"	9/16"	Imperial
DANPS4305-0808IN	1/2"-14	3/4"-16	22.61	33.00	11.18	9.93	3/4"	1"	7/8"	Imperial
DANPS4305-0810IN	1/2"-14	7/8"-14	22.35	38.60	11.18	12.29	7/8"	1"	1"	Imperial
DANPS4305-0812IN	1/2"-14	1-1/16"-12	25.90	43.90	11.18	15.47	1-1/16"	1"	1-1/4"	Imperial
DANPS4305-1006	7/8"-14	9/16"-18	19.22	38.60	8.13	12.29	22 mm	22 mm	22 mm	Metric
DANPS4305-1008	7/8"-14	3/4"-16	22.35	38.60	11.18	12.29	22 mm	22 mm	27 mm	Metric
DANPS4305-1012	7/8"-14	1-1/16"-12	25.90	39.90	16.13	12.29	27 mm	32 mm	22 mm	Metric
DANPS4305-1006IN	7/8"-14	9/16"-18	19.22	38.60	8.13	12.29	7/8"	7/8"	7/8"	Imperial
DANPS4305-1008IN	7/8"-14	3/4"-16	22.35	38.60	11.18	12.29	7/8"	7/8"	1"	Imperial
DANPS4305-1012IN	7/8"-14	1-1/16"-12	25.90	39.90	16.13	12.29	1-1/16"	1-1/4"	7/8"	Imperial
DANPS4305-1210	3/4"-14	7/8"-14	25.90	39.90	16.13	12.29	27 mm	32 mm	27 mm	Metric
DANPS4305-1212	3/4"-14	1-1/16"-12	25.90	43.90	15.49	15.47	27 mm	32 mm	32 mm	Metric
DANPS4305-1216	3/4"-14	1-5/16"-12	25.65	47.20	15.75	21.44	33 mm	32 mm	41 mm	Metric
DANPS4305-1210IN	3/4"-14	7/8"-14	25.90	39.90	16.13	12.29	1-1/16"	1-1/4"	1"	Imperial
DANPS4305-1212IN	3/4"-14	1-1/16"-12	25.90	43.90	15.49	15.47	1-1/16"	1-1/4"	1-1/4"	Imperial
DANPS4305-1216IN	3/4"-14	1-5/16"-12	25.65	47.20	15.75	21.44	1-5/16"	1-1/4"	1-1/2"	Imperial
DANPS4305-1612	1"-11-1/2	1-1/16"-12	25.65	47.20	15.75	21.44	33 mm	32 mm	41 mm	Metric
DANPS4305-1616	1"-11-1/2	1-5/16"-12	29.21	47.20	19.81	21.44	33 mm	41 mm	41 mm	Metric
DANPS4305-1620	1"-11-1/2	1-5/8"-12	31.20	48.50	25.65	21.44	41 mm	50 mm	41 mm	Metric
DANPS4305-1612IN	1"-11-1/2	1-1/16"-12	25.65	47.20	15.75	21.44	1-5/16"	1-1/4"	1-1/2"	Imperial
DANPS4305-1616IN	1"-11-1/2	1-5/16"-12	29.21	47.20	19.81	21.44	1-5/16"	1-1/2"	1-1/2"	Imperial
DANPS4305-1620IN	1"-11-1/2	1-5/8"-12	31.20	48.50	25.65	21.44	1-5/8"	1-7/8"	1-1/2"	Imperial
DANPS4305-2016	1-1/4"-11-1/2	1-5/16"-12	31.20	48.50	25.65	21.44	41 mm	50 mm	41 mm	Metric
DANPS4305-2020	1-1/4"-11-1/2	1-5/8"-12	31.25	48.50	25.65	27.38	41 mm	50 mm	50 mm	Metric
DANPS4305-2024	1-1/4"-11-1/2	1-7/8"-12	36.82	48.50	31.75	27.38	50 mm	55 mm	50 mm	Metric
DANPS4305-2016IN	1-1/4"-11-1/2	1-5/16"-12	31.20	48.50	25.65	21.44	1-5/8"	1-7/8"	1-1/2"	Imperial
DANPS4305-2020IN	1-1/4"-11-1/2	1-5/8"-12	31.25	48.50	25.65	27.38	1-5/8"	1-7/8"	1-7/8"	Imperial
DANPS4305-2024IN	1-1/4"-11-1/2	1-7/8"-12	36.82	48.50	31.75	27.38	1-7/8"	2-1/8"	1-7/8"	Imperial
DANPS4305-2420	1-1/2"-11-1/2	1-5/8"-12	36.82	48.50	31.75	27.38	50 mm	55 mm	55 mm	Metric
DANPS4305-2424	1-1/2"-11-1/2	1-7/8"-12	34.30	48.51	31.75	33.32	50 mm	55 mm	55 mm	Metric
DANPS4305-2420IN	1-1/2"-11-1/2	1-5/8"-12	36.82	48.50	31.75	27.38	1-7/8"	2-1/8"	2-1/8"	Imperial
DANPS4305-2424IN	1-1/2"-11-1/2	1-7/8"-12	34.30	48.51	31.75	33.32	1-7/8"	2-1/8"	2-1/8"	Imperial

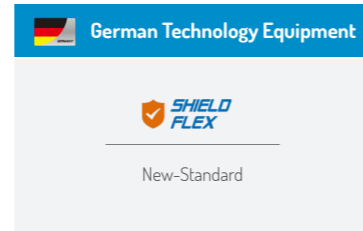
Web: <https://www.dmejde.com>
E-mail: info@dmejde.com



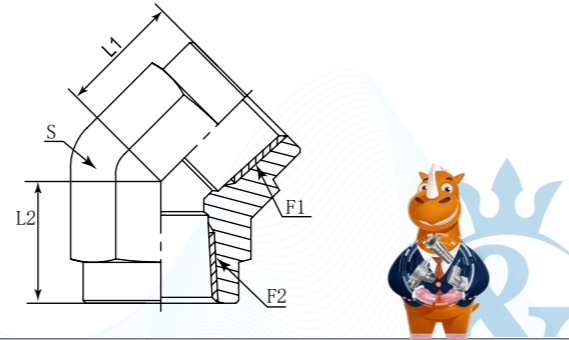
DANPF428F

45° Elbow Connector NPTF Female - NPTF Female

D	A	NP	F	4	28	F
Company	Product Range	Thread Types	Connection Type	Adaptor Structure	Thread Types	Connection Type
DME	Adaptor	NPTF	Female	45° Elbow	NPTF	Female



DME&JDE Code:	DANPF428F
Product Type	Hydraulic Adaptor
Standard:	NPTF
Structure:	45° Elbow
Connection Type:	Female x Female
Thread Types:	NPTF x NPTF



PART NUMBER	F1 (Thread)	F2 (Thread)	L1/L2	L2	S	Hex
#	NPTF	NPTF	mm	mm	-	-
DANPF428F-0202	1/8"-27	1/8"-27	12.70	12.70	14 mm	Metric
DANPF428F-0202IN	1/8"-27	1/8"-27	12.70	12.70	9/16"	Imperial
DANPF428F-0404	1/4"-18	1/4"-18	17.50	17.50	19 mm	Metric
DANPF428F-0404IN	1/4"-18	1/4"-18	17.50	17.50	3/4"	Imperial
DANPF428F-0606	3/8"-18	3/8"-18	19.10	19.10	22 mm	Metric
DANPF428F-0606IN	3/8"-18	3/8"-18	19.10	19.10	7/8"	Imperial
DANPF428F-0808	1/2"-14	1/2"-14	23.90	23.90	27 mm	Metric
DANPF428F-0808IN	1/2"-14	1/2"-14	23.90	23.90	1-1/16"	Imperial
DANPF428F-1212	3/4"-14	3/4"-14	25.40	25.40	33 mm	Metric
DANPF428F-1212IN	3/4"-14	3/4"-14	25.40	25.40	1-5/16"	Imperial
DANPF428F-1616	1"-11-1/2	1"-11-1/2	30.20	30.20	41 mm	Metric
DANPF428F-1616IN	1"-11-1/2	1"-11-1/2	30.20	30.20	1-5/8"	Imperial
DANPF428F-2020	1-1/4"-11-1/2	1-1/4"-11-1/2	36.60	36.60	50 mm	Metric
DANPF428F-2020IN	1-1/4"-11-1/2	1-1/4"-11-1/2	36.60	36.60	1-7/8"	Imperial
DANPF428F-2424	1-1/2"-11-1/2	1-1/2"-11-1/2	37.08	37.08	55 mm	Metric
DANPF428F-2424IN	1-1/2"-11-1/2	1-1/2"-11-1/2	37.08	37.08	2-1/8"	Imperial

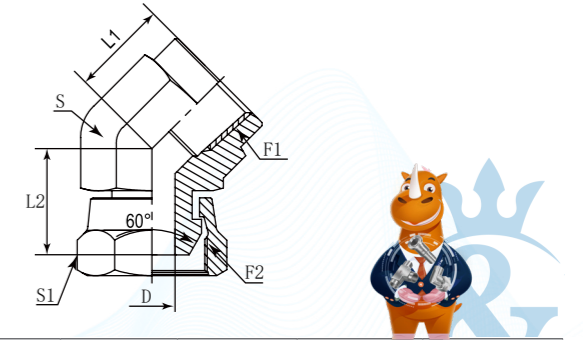
DANPF4091

45° Elbow Connector NPTF Female - NPSM Swivel Female 60°

D	A	NP	F	4	091
Company	Product Range	Thread Types	Connection Type	Adaptor Structure	Connection Type
DME	Adaptor	NPTF	Female	45° Elbow	NPSM Swivel Female



DME&JDE Code:	DANPF4091
Product Type	Hydraulic Adaptor
Standard:	NPTF
Structure:	45° Elbow
Connection Type:	Female x Swivel Female
Thread Types:	NPTF x NPSM 60°

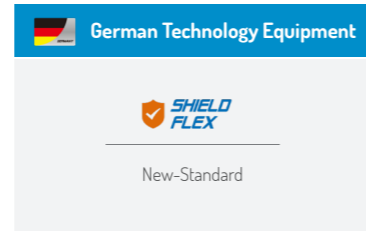


PART NUMBER	F1 (Thread)	F2 (Thread)	L1	L2	D	S	S1	Hex
#	NPTF	NPSM	mm	mm	mm	-	-	-
DANPF4091-0202	1/8"-27	1/8"-27	11.90	15.50	2.79	14 mm	14 mm	Metric
DANPF4091-0204	1/8"-27	1/4"-18	11.90	18.50	5.33	14 mm	19 mm	Metric
DANPF4091-0202IN	1/8"-27	1/8"-27	11.90	15.50	2.79	9/16"	9/16"	Imperial
DANPF4091-0204IN	1/8"-27	1/4"-18	11.90	18.50	5.33	9/16"	11/16"	Imperial
DANPF4091-0402	1/4"-18	1/8"-27	17.50	17.80	2.79	19 mm	14 mm	Metric
DANPF4091-0404	1/4"-18	1/4"-18	17.53	19.30	5.59	19 mm	19 mm	Metric
DANPF4091-0406	1/4"-18	3/8"-18	17.50	20.50	8.13	19 mm	22 mm	Metric
DANPF4091-0402IN	1/4"-18	1/8"-27	17.50	17.80	2.79	3/4"	9/16"	Imperial
DANPF4091-0404IN	1/4"-18	1/4"-18	17.53	19.30	5.59	3/4"	11/16"	Imperial
DANPF4091-0406IN	1/4"-18	3/8"-18	17.50	20.50	8.13	3/4"	7/8"	Imperial
DANPF4091-0604	3/8"-18	1/4"-18	19.05	19.56	5.33	22 mm	17 mm	Metric
DANPF4091-0606	3/8"-18	3/8"-18	19.05	19.56	8.13	22 mm	22 mm	Metric
DANPF4091-0608	3/8"-18	1/2"-14	19.05	22.35	11.18	22 mm	27 mm	Metric
DANPF4091-0604IN	3/8"-18	1/4"-18	19.05	19.56	5.33	7/8"	11/16"	Imperial
DANPF4091-0606IN	3/8"-18	3/8"-18	19.05	19.56	8.13	7/8"	7/8"	Imperial
DANPF4091-0608IN	3/8"-18	1/2"-14	19.05	22.35	11.18	7/8"	1"	Imperial
DANPF4091-0806	1/2"-14	3/8"-18	23.10	21.86	8.13	27 mm	22 mm	Metric
DANPF4091-0808	1/2"-14	1/2"-14	23.10	23.64	11.18	27 mm	27 mm	Metric
DANPF4091-0806IN	1/2"-14	3/8"-18	23.10	21.86	8.13	1-1/16"	7/8"	Imperial
DANPF4091-0808IN	1/2"-14	1/2"-14	23.10	23.64	11.18	1-1/16"	1"	Imperial
DANPF4091-1208	3/4"-14	1/2"-14	25.40	24.38	11.18	33 mm	27 mm	Metric
DANPF4091-1212	3/4"-14	3/4"-14	25.40	25.65	15.49	33 mm	32 mm	Metric
DANPF4091-1208IN	3/4"-14	1/2"-14	25.40	24.38	11.18	1-5/16"	1"	Imperial
DANPF4091-1212IN	3/4"-14	3/4"-14	25.40	25.65	15.49	1-5/16"	1-1/4"	Imperial
DANPF4091-1612	1"-11-1/2	3/4"-14	30.22	25.65	15.49	41 mm	32 mm	Metric
DANPF4091-1616	1"-11-1/2	1"-11-1/2	30.22	30.00	19.81	41 mm	41 mm	Metric
DANPF4091-1612IN	1"-11-1/2	3/4"-14	30.22	25.65	15.49	1-5/8"	1-1/4"	Imperial
DANPF4091-1616IN	1"-11-1/2	1"-11-1/2	30.22	30.00	19.81	1-5/8"	1-1/2"	Imperial
DANPF4091-2020	1-1/4"-11-1/2	1-1/4"-11-1/2	36.58	33.64	25.65	50 mm	50 mm	Metric
DANPF4091-2020IN	1-1/4"-11-1/2	1-1/4"-11-1/2	36.58	33.64	25.65	1-7/8"	1-7/8"	Imperial
DANPF4091-2424	1-1/2"-11-1/2	1-1/2"-11-1/2	37.08	37.08	32	65 mm	55 mm	Metric
DANPF4091-2424IN	1-1/2"-11-1/2	1-1/2"-11-1/2	37.08	37.08	32	2-5/8"	2-1/8"	Imperial
DANPF4091-3232	2"-11-1/2	2"-11-1/2	55.60	44.01	43.69	70 mm	70 mm	Metric
DANPF4091-3232IN	2"-11-1/2	2"-11-1/2	55.60	44.01	43.69	2-13/16"	2-5/8"	Imperial

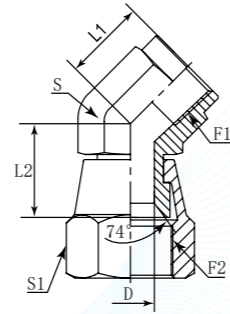
DANPF4251

45° Elbow Connector NPTF Female - JIC Swivel Female 74°

D	A	NP	F	4	251
Company	Product Range	Thread Types	Connection Type	Adaptor Structure	Connection Type
DME	Adaptor	NPTF	Female	45° Elbow	JIC UNF Swivel Female



DME&JDE Code:	DANPF4251
Product Type	Hydraulic Adaptor
Standard:	NPTF
Structure:	45° Elbow
Connection Type:	Female x Swivel Female
Thread Types:	NPTF x JIC UNF 74°



PART NUMBER	F1 (Thread)	F2 (Thread)	D	L1	L2	S	S1	Hex
#	NPTF	UNF	mm	mm	mm	-	-	-
DANPF4251-0404	1/4"-18	7/16"-20	7.54	21.08	15.75	19 mm	14 mm	Metric
DANPF4251-0406	1/4"-18	9/16"-18	7.54	19.05	15.75	19 mm	19 mm	Metric
DANPF4251-0404IN	1/4"-18	7/16"-20	7.54	21.08	15.75	3/4"	9/16"	Imperial
DANPF4251-0406IN	1/4"-18	9/16"-18	7.54	19.05	15.75	3/4"	11/16"	Imperial
DANPF4251-0606	3/8"-18	9/16"-18	7.54	19.05	18.92	22 mm	19 mm	Metric
DANPF4251-0608	3/8"-18	3/4"-16	9.93	19.05	21.79	22 mm	22 mm	Metric
DANPF4251-0606IN	3/8"-18	9/16"-18	7.54	19.05	18.92	7/8"	11/16"	Imperial
DANPF4251-0608IN	3/8"-18	3/4"-16	9.93	19.05	21.79	7/8"	7/8"	Imperial
DANPF4251-0808	1/2"-14	3/4"-16	9.93	21.77	21.79	27 mm	22 mm	Metric
DANPF4251-0808IN	1/2"-14	3/4"-16	9.93	21.77	21.79	1-1/8"	7/8"	Imperial
DANPF4251-1212	3/4"-14	1-1/16"-12	15.47	25.40	23.88	33 mm	32 mm	Metric
DANPF4251-1212IN	3/4"-14	1-1/16"-12	15.47	25.40	23.88	1-5/16"	1-1/4"	Imperial
DANPF4251-1616	1"-11-1/2	1-5/16"-12	21.44	30.22	29.36	41 mm	41 mm	Metric
DANPF4251-1616IN	1"-11-1/2	1-5/16"-12	21.44	30.22	29.36	1-5/8"	1-1/2"	Imperial
DANPF4251-2020	1-1/4"-11-1/2	1-5/8"-12	27.42	36.58	35.66	48 mm	50 mm	Metric
DANPF4251-2020IN	1-1/4"-11-1/2	1-5/8"-12	27.42	36.58	35.66	1-7/8"	2"	Imperial



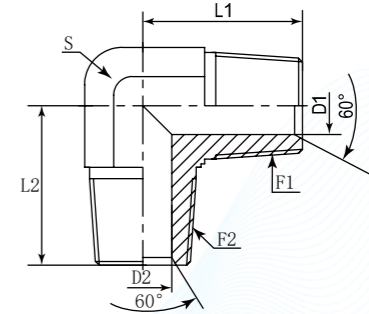
DANPM928M

90° Elbow Connector NPTF Male 60° - NPTF Male 60°

D	A	NP	M	9	28	M
Company	Product Range	Thread Types	Connection Type	Adaptor Structure	Thread Types	Connection Type
DME	Adaptor	NPTF	Male	90° Elbow	NPTF	Male



DME&JDE Code:	DANPM928M
Product Type	Hydraulic Adaptor
Standard:	NPTF
Structure:	90° Elbow
Connection Type:	Male x Male
Thread Types:	NPTF 60° x NPTF 60°



PART NUMBER	F1 (Thread)	F2 (Thread)	D1	D2	L1	L2	S	Hex
#	NPTF	NPTF	mm	mm	mm	mm	-	-
DANPM928M-0202	1/8"-27	1/8"-27	4.78	4.78	19.81	19.81	11 mm	Metric
DANPM928M-0202IN	1/8"-27	1/8"-27	4.78	4.78	19.81	19.81	7/16"	Imperial
DANPM928M-0402	1/4"-18	1/8"-27	7.14	4.78	27.70	22.40	14 mm	Metric
DANPM928M-0404	1/4"-18	1/4"-18	7.14	7.14	27.70	27.70	14 mm	Metric
DANPM928M-0402IN	1/4"-18	1/8"-27	7.14	4.78	27.70	22.40	9/16"	Imperial
DANPM928M-0404IN	1/4"-18	1/4"-18	7.14	7.14	27.70	27.70	9/16"	Imperial
DANPM928M-0604	3/8"-18	1/4"-18	10.31	7.14	30.99	30.99	19 mm	Metric
DANPM928M-0606	3/8"-18	3/8"-18	10.31	10.31	30.99	30.99	19 mm	Metric
DANPM928M-0604IN	3/8"-18	1/4"-18	10.31	7.14	30.99	30.99	3/4"	Imperial
DANPM928M-0606IN	3/8"-18	3/8"-18	10.31	10.31	30.99	30.99	3/4"	Imperial
DANPM928M-0804	1/2"-14	1/4"-18	13.49	7.14	37.30	32.50	22 mm	Metric
DANPM928M-0806	1/2"-14	3/8"-18	13.49	10.31	37.30	32.50	22 mm	Metric
DANPM928M-0808	1/2"-14	1/2"-14	13.49	13.49	37.30	37.30	22 mm	Metric
DANPM928M-0804IN	1/2"-14	1/4"-18	13.49	7.14	37.30	32.50	7/8"	Imperial
DANPM928M-0806IN	1/2"-14	3/8"-18	13.49	10.31	37.30	32.50	7/8"	Imperial
DANPM928M-0808IN	1/2"-14	1/2"-14	13.49	13.49	37.30	37.30	7/8"	Imperial
DANPM928M-1208	3/4"-14	1/2"-14	18.26	13.49	40.40	40.40	27 mm	Metric
DANPM928M-1212	3/4"-14	3/4"-14	18.26	18.26	40.40	40.40	27 mm	Metric
DANPM928M-1208IN	3/4"-14	1/2"-14	18.26	13.49	40.40	40.40	1-1/16"	Imperial
DANPM928M-1212IN	3/4"-14	3/4"-14	18.26	18.26	40.40	40.40	1-1/16"	Imperial
DANPM928M-1608	1"-11-1/2	1/2"-14	23.83	13.49	50.00	45.20	33 mm	Metric
DANPM928M-1612	1"-11-1/2	3/4"-14	23.83	18.26	50.00	45.20	33 mm	Metric
DANPM928M-1616	1"-11-1/2	1"-11-1/2	23.83	23.83	50.00	50.00	33 mm	Metric
DANPM928M-1608IN	1"-11-1/2	1/2"-14	23.83	13.49	50.00	45.20	1-5/16"	Imperial
DANPM928M-1612IN	1"-11-1/2	3/4"-14	23.83	18.26	50.00	45.20	1-5/16"	Imperial
DANPM928M-1616IN	1"-11-1/2	1"-11-1/2	23.83	23.83	50.00	50.00	1-5/16"	Imperial
DANPM928M-2016	1-1/4"-11-1/2	1"-11-1/2	31.75	23.83	60.50	59.70	41 mm	Metric
DANPM928M-2020	1-1/4"-11-1/2	1-1/4"-11-1/2	31.75	31.75	60.50	60.50	41 mm	Metric
DANPM928M-2016IN	1-1/4"-11-1/2	1"-11-1/2	31.75	23.83	60.50	59.70	1-5/8"	Imperial
DANPM928M-2020IN	1-1/4"-11-1/2	1-1/4"-11-1/2	31.75	31.75	60.50	60.50	1-5/8"	Imperial
DANPM928M-2424	1-1/2"-11-1/2	1-1/2"-11-1/2	38.10	38.10	67.10	67.10	50 mm	Metric
DANPM928M-2424IN	1-1/2"-11-1/2	1-1/2"-11-1/2	38.10	38.10	67.10	67.10	1-7/8"	Imperial
DANPM928M-3232	2"-11-1/2	2"-11-1/2	49.23	49.23	76.20	76.20	60 mm	Metric
DANPM928M-3232IN	2"-11-1/2	2"-11-1/2	49.23	49.23	76.20	76.20	2-1/2"	Imperial



DANPM9305

90° Adjustable Elbow NPTF Male 60° - SAE Male O Ring

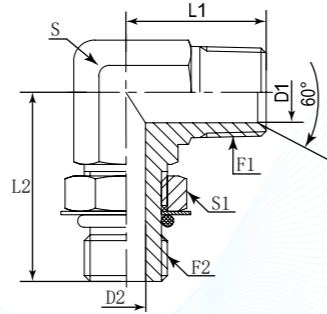
D	A	NP	M	9	30	5
Company	Product Range	Thread Types	Connection Type	Adaptor Structure	Thread Types	Connection Type
DME	Adaptor	NPTF	Male	90° Elbow	SAE UNF	Male O Ring

German Technology Equipment

SHIELD FLEX

New-Standard

- DME&JDE Code: DANPM9305
- Product Type: Hydraulic Adaptor
- Standard: NPTF
- Structure: 90° Elbow
- Connection Type: Male x Male
- Thread Types: NPTF 60° x SAE UNF + O Ring
- Sealing Method: O Ring



PART NUMBER	F1 (Thread)	F2 (Thread)	L1	L2	D1	D2	S	S1	Hex
#	NPTF	UNF	mm	mm	mm	mm	-	-	-
DANPM9305-0204	1/8"-27	7/16"-20	19.80	26.2	4.78	4.37	11 mm	14 mm	Metric
DANPM9305-0205	1/8"-27	1/2"-20	19.80	28.70	4.78	5.94	14 mm	17 mm	Metric
DANPM9305-0204IN	1/8"-27	7/16"-20	19.80	26.2	4.78	4.37	7/16"	9/16"	Imperial
DANPM9305-0205IN	1/8"-27	1/2"-20	19.80	28.70	4.78	5.94	9/16"	5/8"	Imperial
DANPM9305-0404	1/4"-18	7/16"-20	27.70	30.20	7.14	4.37	14 mm	14 mm	Metric
DANPM9305-0405	1/4"-18	1/2"-20	27.70	28.70	7.14	5.94	14 mm	17 mm	Metric
DANPM9305-0406	1/4"-18	9/16"-18	27.70	31.80	7.14	7.54	14 mm	17 mm	Metric
DANPM9305-0404IN	1/4"-18	7/16"-20	27.70	30.20	7.14	4.37	9/16"	9/16"	Imperial
DANPM9305-0405IN	1/4"-18	1/2"-20	27.70	28.70	7.14	5.94	9/16"	5/8"	Imperial
DANPM9305-0406IN	1/4"-18	9/16"-18	27.70	31.80	7.14	7.54	9/16"	11/16"	Imperial
DANPM9305-0604	3/8"-18	7/16"-20	31.00	32.00	10.31	4.37	19 mm	14 mm	Metric
DANPM9305-0606	3/8"-18	9/16"-18	31.00	33.50	10.31	7.54	19 mm	17 mm	Metric
DANPM9305-0608	3/8"-18	3/4"-16	31.00	36.80	10.31	9.93	19 mm	22 mm	Metric
DANPM9305-0604IN	3/8"-18	7/16"-20	31.00	32.00	10.31	4.37	3/4"	9/16"	Imperial
DANPM9305-0606IN	3/8"-18	9/16"-18	31.00	33.50	10.31	7.54	3/4"	11/16"	Imperial
DANPM9305-0608IN	3/8"-18	3/4"-16	31.00	36.80	10.31	9.93	3/4"	7/8"	Imperial
DANPM9305-0808	1/2"-14	3/4"-16	37.30	39.10	13.49	9.93	22 mm	22 mm	Metric
DANPM9305-0810	1/2"-14	7/8"-14	37.30	43.20	13.49	12.29	22 mm	27 mm	Metric
DANPM9305-0808IN	1/2"-14	3/4"-16	37.30	39.10	13.49	9.93	7/8"	7/8"	Imperial
DANPM9305-0810IN	1/2"-14	7/8"-14	37.30	43.20	13.49	12.29	7/8"	1"	Imperial
DANPM9305-1210	3/4"-14	7/8"-14	40.40	45.20	18.26	12.29	27 mm	27 mm	Metric
DANPM9305-1212	3/4"-14	1-1/16"-12	40.40	49.30	18.26	15.47	27 mm	32 mm	Metric
DANPM9305-1214	3/4"-14	1-3/16"-12	42.00	50.80	18.26	18.26	33 mm	36 mm	Metric
DANPM9305-1216	3/4"-14	1-5/16"-12	42.90	52.10	18.26	21.44	33 mm	41 mm	Metric
DANPM9305-1210IN	3/4"-14	7/8"-14	40.40	45.20	18.26	12.29	1-1/16"	1"	Imperial
DANPM9305-1212IN	3/4"-14	1-1/16"-12	40.40	49.30	18.26	15.47	1-1/16"	1-1/4"	Imperial
DANPM9305-1214IN	3/4"-14	1-3/16"-12	42.00	50.80	18.26	18.26	1-5/16"	1-3/8"	Imperial
DANPM9305-1216IN	3/4"-14	1-5/16"-12	42.90	52.10	18.26	21.44	1-5/16"	1-1/2"	Imperial
DANPM9305-1612	1"-11-1/2	1-1/16"-12	50.00	52.10	23.83	15.47	33 mm	32 mm	Metric
DANPM9305-1616	1"-11-1/2	1-5/16"-12	50.00	52.10	23.83	21.44	33 mm	41 mm	Metric
DANPM9305-1612IN	1"-11-1/2	1-1/16"-12	50.00	52.10	23.83	15.47	1-5/16"	1-1/4"	Imperial
DANPM9305-1616IN	1"-11-1/2	1-5/16"-12	50.00	52.10	23.83	21.44	1-5/16"	1-1/2"	Imperial
DANPM9305-2020	1-1/4"-11-1/2	1-5/8"-12	60.50	57.20	31.75	27.38	41 mm	50 mm	Metric
DANPM9305-2020IN	1-1/4"-11-1/2	1-5/8"-12	60.50	57.20	31.75	27.38	1-5/8"	1-7/8"	Imperial
DANPM9305-2420	1-1/2"-11-1/2	1-5/8"-12	67.10	60.70	38.10	27.38	50 mm	50 mm	Metric
DANPM9305-2424	1-1/2"-11-1/2	1-7/8"-12	67.10	60.70	38.10	33.32	50 mm	55 mm	Metric
DANPM9305-2420IN	1-1/2"-11-1/2	1-5/8"-12	67.10	60.70	38.10	27.38	1-7/8"	1-7/8"	Imperial
DANPM9305-2424IN	1-1/2"-11-1/2	1-7/8"-12	67.10	60.70	38.10	33.32	1-7/8"	2-1/8"	Imperial
DANPM9305-3232	2"-11-1/2	2-1/2"-12	76.20	73.40	49.23	45.24	60 mm	70 mm	Metric
DANPM9305-3232IN	2"-11-1/2	2-1/2"-12	76.20	73.40	49.23	45.24	2-1/2"	2-3/4"	Imperial



DANPM928F

90° Elbow Connector NPTF Male 60° - NPTF Female

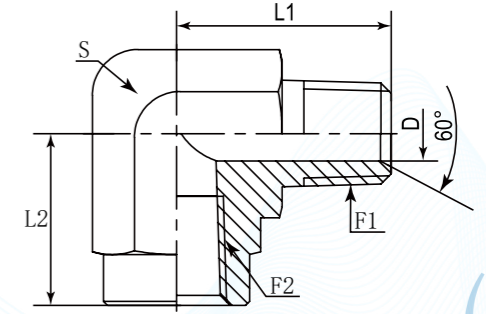
D	A	NP	M	9	28	F
Company	Product Range	Thread Types	Connection Type	Adaptor Structure	Thread Types	Connection Type
DME	Adaptor	NPTF	Male	90° Elbow	NPTF	Female

German Technology Equipment

SHIELD FLEX

New-Standard

- DME&JDE Code: DANPM928F
- Product Type: Hydraulic Adaptor
- Standard: NPTF
- Structure: 90° Elbow
- Connection Type: Male x Female
- Thread Types: NPTF 60° x NPTF



PART NUMBER	F1 (Thread)	F2 (Thread)	D	L1	L2	S	Hex
#	NPTF	NPTF	mm	mm	mm	-	-
DANPM928F-0202	1/8"-27	1/8"-27	4.78	19.80	16.80	14 mm	Metric
DANPM928F-0204	1/8"-27	1/4"-18	4.78	22.90	22.40	19 mm	Metric
DANPM928F-0206	1/8"-27	3/8"-18	4.78	26.50	25.90	22 mm	Metric
DANPM928F-0202IN	1/8"-27	1/8"-27	4.78	19.80	16.80	9/16"	Imperial
DANPM928F-0204IN	1/8"-27	1/4"-18	4.78	22.90	22.40	3/4"	Imperial
DANPM928F-0206IN	1/8"-27	3/8"-18	4.78	26.50	25.90	7/8"	Imperial
DANPM928F-0402	1/4"-18	1/8"-27	7.14	27.70	17.00	14 mm	Metric
DANPM928F-0404	1/4"-18	1/4"-18	7.14	27.70	22.40	19 mm	Metric
DANPM928F-0406	1/4"-18	3/8"-18	7.14	31.10	25.90	22 mm	Metric
DANPM928F-0408	1/4"-18	1/2"-14	7.14	32.50	31.20	27 mm	Metric
DANPM928F-0402IN	1/4"-18	1/8"-27	7.14	27.70	17.00	9/16"	Imperial
DANPM928F-0404IN	1/4"-18	1/4"-18	7.14	27.70	22.40	3/4"	Imperial
DANPM928F-0406IN	1/4"-18	3/8"-18	7.14	31.10	25.90	7/8"	Imperial
DANPM928F-0408IN	1/4"-18	1/2"-14	7.14	32.50	31.20	1-1/16"	Imperial
DANPM928F-0602	3/8"-18	1/8"-27	10.31	28.00	22.35	19 mm	Metric
DANPM928F-0604	3/8"-18	1/4"-18	10.31	31.10	25.70	22 mm	Metric
DANPM928F-0606	3/8"-18	3/8"-18	10.31	30.99	25.91	22 mm	Metric
DANPM928F-0608	3/8"-18	1/2"-14	10.31	32.50	31.20	27 mm	Metric
DANPM928F-0602IN	3/8"-18	1/8"-27	10.31	28.00	22.35	3/4"	Imperial
DANPM928F-0604IN	3/8"-18	1/4"-18	10.31	31.10	25.70	7/8"	Imperial



DANPM928F-0606IN	3/8"-18	3/8"-18	10.31	30.99	25.91	7/8"	Imperial
DANPM928F-0608IN	3/8"-18	1/2"-14	10.31	32.50	31.20	1-1/16"	Imperial
DANPM928F-0804	1/2"-14	1/4"-18	13.49	37.30	25.40	22 mm	Metric
DANPM928F-0806	1/2"-14	3/8"-18	13.49	37.30	25.90	22 mm	Metric
DANPM928F-0808	1/2"-14	1/2"-14	13.49	37.30	31.20	27 mm	Metric
DANPM928F-0812	1/2"-14	3/4"-14	13.49	40.40	34.50	33 mm	Metric
DANPM928F-0804IN	1/2"-14	1/4"-18	13.49	37.30	25.40	7/8"	Imperial
DANPM928F-0806IN	1/2"-14	3/8"-18	13.49	37.30	25.90	7/8"	Imperial
DANPM928F-0808IN	1/2"-14	1/2"-14	13.49	37.30	31.20	1-1/16"	Imperial
DANPM928F-0812IN	1/2"-14	3/4"-14	13.49	40.40	34.50	1-5/16"	Imperial
DANPM928F-1206	3/4"-14	3/8"-18	18.26	40.40	26.40	27 mm	Metric
DANPM928F-1208	3/4"-14	1/2"-14	18.26	40.40	31.20	27 mm	Metric
DANPM928F-1212	3/4"-14	3/4"-14	18.26	40.40	34.50	33 mm	Metric
DANPM928F-1216	3/4"-14	1"-11-1/2	18.26	46.30	41.10	41 mm	Metric
DANPM928F-1206IN	3/4"-14	3/8"-18	18.26	40.40	26.40	1-1/16"	Imperial
DANPM928F-1208IN	3/4"-14	1/2"-14	18.26	40.40	31.20	1-1/16"	Imperial
DANPM928F-1212IN	3/4"-14	3/4"-14	18.26	40.40	34.50	1-5/16"	Imperial
DANPM928F-1216IN	3/4"-14	1"-11-1/2	18.26	46.30	41.10	1-5/8"	Imperial
DANPM928F-1612	1"-11-1/2	3/4"-14	23.83	46.70	34.50	33 mm	Metric
DANPM928F-1616	1"-11-1/2	1"-11-1/2	23.83	50.00	41.20	41 mm	Metric
DANPM928F-1620	1"-11-1/2	1-1/4"-11-1/2	23.83	59.70	43.20	50 mm	Metric
DANPM928F-1612IN	1"-11-1/2	3/4"-14	23.83	46.70	34.50	1-5/16"	Imperial
DANPM928F-1616IN	1"-11-1/2	1"-11-1/2	23.83	50.00	41.20	1-5/8"	Imperial
DANPM928F-1620IN	1"-11-1/2	1-1/4"-11-1/2	23.83	59.70	43.20	1-7/8"	Imperial
DANPM928F-2016	1-1/4"-11-1/2	1"-11-1/2	31.75	60.50	42.67	41 mm	Metric
DANPM928F-2020	1-1/4"-11-1/2	1-1/4"-11-1/2	31.75	60.50	43.20	50 mm	Metric
DANPM928F-2024	1-1/4"-11-1/2	1-1/2"-11-1/2	31.75	66.29	52.82	65 mm	Metric
DANPM928F-2016IN	1-1/4"-11-1/2	1"-11-1/2	31.75	60.50	42.67	1-5/8"	Imperial
DANPM928F-2020IN	1-1/4"-11-1/2	1-1/4"-11-1/2	31.75	60.50	43.20	1-7/8"	Imperial
DANPM928F-2024IN	1-1/4"-11-1/2	1-1/2"-11-1/2	31.75	66.29	52.82	2-9/16"	Imperial
DANPM928F-2420	1-1/2"-11-1/2	1-1/4"-11-1/2	38.10	67.10	43.20	50 mm	Metric
DANPM928F-2424	1-1/2"-11-1/2	1-1/2"-11-1/2	38.10	67.10	52.80	65 mm	Metric
DANPM928F-2420IN	1-1/2"-11-1/2	1-1/4"-11-1/2	38.10	67.10	43.20	1-7/8"	Imperial
DANPM928F-2424IN	1-1/2"-11-1/2	1-1/2"-11-1/2	38.10	67.10	52.80	2-9/16"	Imperial
DANPM928F-3232	2"-11-1/2	2"-11-1/2	49.23	76.20	60.70	70 mm	Metric
DANPM928F-3232IN	2"-11-1/2	2"-11-1/2	49.23	76.20	60.70	2-13/16"	Imperial

DANPF9091

90° Elbow Connector NPTF Male - NPSM Swivel Female 60° Cone

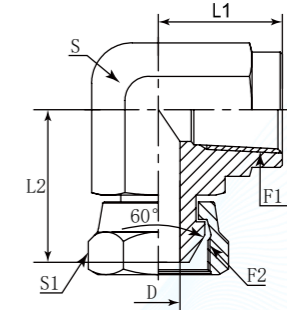
D	A	NP	F	9	091
Company	Product Range	Thread Types	Connection Type	Adaptor Structure	Connection Type
DME	Adaptor	NPTF	Female	90° Elbow	NPSM Swivel Female

German Technology Equipment

SHIELD FLEX

New-Standard

- DME&JDE Code:** DANPF9091
- Product Type:** Hydraulic Adaptor
- Standard:** NPTF
- Structure:** 90° Elbow
- Connection Type:** Female x Swivel Female
- Thread Types:** NPTF x NPSM 60° Cone



PART NUMBER	F1 (Thread)	F2 (Thread)	L1	L2	D	S	S1	Hex
#	NPTF	NPSM	mm	mm	mm	-	-	-
DANPF9091-0202	1/8"-27	1/8"-27	16.76	20.32	2.79	14 mm	14 mm	Metric
DANPF9091-0204	1/8"-27	1/4"-18	16.80	20.14	5.33	14 mm	19 mm	Metric
DANPF9091-0202IN	1/8"-27	1/8"-27	16.76	20.32	2.79	9/16"	9/16"	Imperial
DANPF9091-0204IN	1/8"-27	1/4"-18	16.80	20.14	5.33	9/16"	11/16"	Imperial
DANPF9091-0402	1/4"-18	1/8"-27	22.40	22.35	2.79	19 mm	14 mm	Metric
DANPF9091-0404	1/4"-18	1/4"-18	22.40	25.00	5.33	19 mm	19 mm	Metric
DANPF9091-0406	1/4"-18	3/8"-18	22.40	25.65	8.13	19 mm	22 mm	Metric
DANPF9091-0402IN	1/4"-18	1/8"-27	22.40	22.35	2.79	3/4"	9/16"	Imperial
DANPF9091-0404IN	1/4"-18	1/4"-18	22.40	25.00	5.33	3/4"	11/16"	Imperial
DANPF9091-0406IN	1/4"-18	3/8"-18	22.40	25.65	8.13	3/4"	7/8"	Imperial
DANPF9091-0606	3/8"-18	3/8"-18	25.90	26.92	8.13	22 mm	22 mm	Metric
DANPF9091-0608	3/8"-18	1/2"-14	25.90	28.70	11.18	22 mm	27 mm	Metric
DANPF9091-0606IN	3/8"-18	3/8"-18	25.90	26.92	8.13	7/8"	7/8"	Imperial
DANPF9091-0608IN	3/8"-18	1/2"-14	25.90	28.70	11.18	7/8"	1"	Imperial
DANPF9091-0804	1/2"-14	1/4"-18	31.20	29.50	5.33	27 mm	19 mm	Metric
DANPF9091-0806	1/2"-14	3/8"-18	31.20	30.50	8.13	27 mm	22 mm	Metric
DANPF9091-0808	1/2"-14	1/2"-14	31.20	31.40	11.18	27 mm	27 mm	Metric
DANPF9091-0812	1/2"-14	3/4"-14	31.20	31.50	15.49	27 mm	32 mm	Metric
DANPF9091-0804IN	1/2"-14	1/4"-18	31.20	29.50	5.33	1-1/16"	11/16"	Imperial
DANPF9091-0806IN	1/2"-14	3/8"-18	31.20	30.50	8.13	1-1/16"	7/8"	Imperial
DANPF9091-0808IN	1/2"-14	1/2"-14	31.20	31.40	11.18	1-1/16"	1"	Imperial
DANPF9091-0812IN	1/2"-14	3/4"-14	31.20	31.50	15.49	1-1/16"	1-1/4"	Imperial
DANPF9091-1208	3/4"-14	1/2"-14	34.50	37.30	11.18	33 mm	27 mm	Metric
DANPF9091-1212	3/4"-14	3/4"-14	34.50	37.30	15.50	33 mm	32 mm	Metric
DANPF9091-1216	3/4"-14	1"-11-1/2	34.56	37.73	19.81	33 mm	41 mm	Metric
DANPF9091-1208IN	3/4"-14	1/2"-14	34.50	37.30	11.18	1-5/16"	1"	Imperial
DANPF9091-1212IN	3/4"-14	3/4"-14	34.50	37.30	15.50	1-5/16"	1-1/4"	Imperial
DANPF9091-1216IN	3/4"-14	1"-11-1/2	34.56	37.73	19.81	1-5/16"	1-1/2"	Imperial
DANPF9091-1612	1"-11-1/2	3/4"-14	41.20	41.20	15.49	41 mm	32 mm	Metric
DANPF9091-1616	1"-11-1/2	1"-11-1/2	41.20	43.90	19.81	41 mm	41 mm	Metric
DANPF9091-1612IN	1"-11-1/2	3/4"-14	41.20	41.20	15.49	1-5/8"	1-1/4"	Imperial
DANPF9091-1616IN	1"-11-1/2	1"-11-1/2	41.20	43.90	19.81	1-5/8"	1-1/2"	Imperial
DANPF9091-2016	1-1/4"-11-1/2	1"-11-1/2	43.20	46.00	19.81	50 mm	41 mm	Metric
DANPF9091-2020	1-1/4"-11-1/2	1-1/4"-11-1/2	43.20	46.50	25.65	50 mm	50 mm	Metric
DANPF9091-2016IN	1-1/4"-11-1/2	1"-11-1/2	43.20	46.00	19.81	1-7/8"	1-1/2"	Imperial
DANPF9091-2020IN	1-1/4"-11-1/2	1-1/4"-11-1/2	43.20	46.50	25.65	1-7/8"	1-7/8"	Imperial
DANPF9091-2424	1-1/2"-11-1/2	1-1/2"-11-1/2	52.80	61.21	31.75	65 mm	55 mm	Metric
DANPF9091-2424IN	1-1/2"-11-1/2	1-1/2"-11-1/2	52.80	61.21	31.75	2-9/16"	2-1/8"	Imperial
DANPF9091-3232	2"-11-1/2	2"-11-1/2	60.70	65.28	43.69	70 mm	65 mm	Metric
DANPF9091-3232IN	2"-11-1/2	2"-11-1/2	60.70	65.28	43.69	2-13/16"	2-5/8"	Imperial

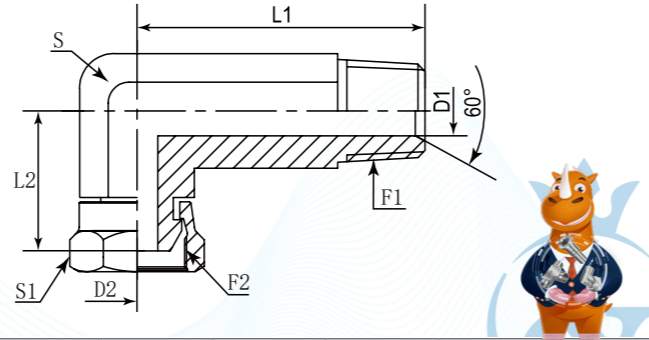
DANPP9091

90° Long Elbow Connector NPTF Male 60° - NPSM Swivel Female 60° Cone

D	A	NP	P	9	091
Company	Product Range	Thread Types	Connection Type	Adaptor Structure	Connection Type
DME	Adaptor	NPTF	Long +Male	90° Elbow	NPSM Swivel Female



- DME&JDE Code:** DANPP9091
- Product Type:** Hydraulic Adaptor
- Standard:** NPTF
- Structure:** 90° Elbow
- Connection Type:** Male x Swivel Female
- Thread Types:** NPTF 60° x NPSM 60° Cone



PART NUMBER	F1 (Thread)	F2 (Thread)	L1	L2	D1	D2	S	S1	S1
#	NPTF	NPSM	mm	mm	mm	mm	-	-	-
DANPP9091-0202	1/8"-27	1/8"-27	41.70	18.80	4.78	2.79	11 mm	14 mm	Metric
DANPP9091-0202IN	1/8"-27	1/8"-27	41.70	18.80	4.78	2.79	7/16"	9/16"	Imperial
DANPP9091-0404	1/4"-18	1/4"-18	7.14	5.33	57.15	23.88	14 mm	19 mm	Metric
DANPP9091-0404IN	1/4"-18	1/4"-18	7.14	5.33	57.15	23.88	9/16"	11/16"	Imperial
DANPP9091-0606	3/8"-18	3/8"-18	70.10	28.45	10.31	8.13	19 mm	22 mm	Metric
DANPP9091-0608	3/8"-18	1/2"-14	76.20	28.19	10.31	11.18	22 mm	27 mm	Metric
DANPP9091-0606IN	3/8"-18	3/8"-18	70.10	28.45	10.31	8.13	3/4"	7/8"	Imperial
DANPP9091-0608IN	3/8"-18	1/2"-14	76.20	28.19	10.31	11.18	7/8"	1"	Imperial
DANPP9091-0806	1/2"-14	3/8"-18	81.00	26.41	13.49	8.13	22 mm	22 mm	Metric
DANPP9091-0808	1/2"-14	1/2"-14	81.00	28.19	13.49	11.18	22 mm	27 mm	Metric
DANPP9091-0806IN	1/2"-14	3/8"-18	81.00	26.41	13.49	8.13	7/8"	7/8"	Imperial
DANPP9091-0808IN	1/2"-14	1/2"-14	81.00	28.19	13.49	11.18	7/8"	1"	Imperial
DANPP9091-1212	3/4"-14	3/4"-14	93.00	33.02	18.26	16.13	27 mm	32 mm	Metric
DANPP9091-1212IN	3/4"-14	3/4"-14	93.00	33.02	18.26	16.13	1-1/16"	1-1/4"	Imperial
DANPP9091-1616	1"-11-1/2	1"-11-1/2	110.00	39.12	23.83	19.81	33 mm	41 mm	Metric
DANPP9091-1616IN	1"-11-1/2	1"-11-1/2	110.00	39.12	23.83	19.81	1-5/16"	1-1/2"	Imperial

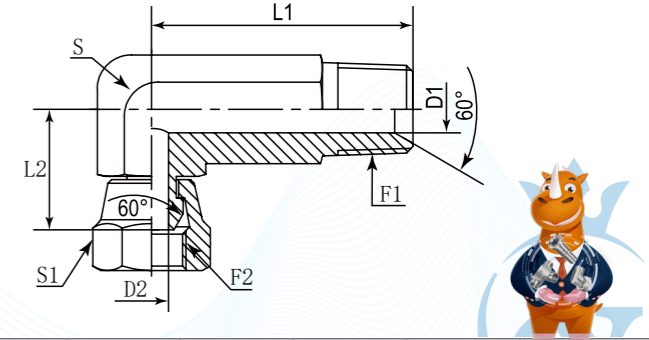
DANPM9091-LL

90° X-Long Elbow Connector NPTF Male 60° - NPSM Swivel Female 60° Cone

D	A	NP	M	9	091	LL
Company	Product Range	Thread Types	Connection Type	Adaptor Structure	Connection Type	Elbow Type
DME	Adaptor	NPTF	Male	90° Elbow	NPSM Swivel Female	X-Long



- DME&JDE Code:** DANPM9091-LL
- Product Type:** Hydraulic Adaptor
- Standard:** NPTF
- Structure:** 90° Elbow
- Connection Type:** Male x Swivel Female
- Thread Types:** NPTF 60° x NPSM 60° Cone



PART NUMBER	F1 (Thread)	F2 (Thread)	D1	D2	L1	L2	S	S1	Cross Number
#	NPTF	NPSM	mm	mm	mm	mm	mm	mm	-
DANPM9091-LL-0202	1/8"-27	1/8"-27	4.78	2.79	41.66	18.80	11.10	14.27	1501-LL-0202
DANPM9091-LL-0404	1/4"-18	1/4"-18	7.14	5.33	57.15	23.88	14.28	17.48	1501-LL-0404
DANPM9091-LL-0606	3/8"-18	3/8"-18	10.31	8.13	70.10	28.45	19.05	22.23	1501-LL-0606
DANPM9091-LL-0608	3/8"-18	1/2"-14	10.31	11.18	76.20	28.19	22.22	25.40	1501-LL-0608
DANPM9091-LL-0806	1/2"-14	3/8"-18	13.49	8.13	81.00	26.41	22.22	22.23	1501-LL-0806
DANPM9091-LL-0808	1/2"-14	1/2"-14	13.49	11.18	81.00	28.19	22.22	25.40	1501-LL-0808
DANPM9091-LL-1212	3/4"-14	3/4"-14	18.26	16.13	93.00	33.02	26.97	31.75	1501-LL-1212
DANPM9091-LL-1616	1"-11-1/2	1"-11-1/2	23.83	19.81	110.00	39.12	33.32	38.10	1501-LL-1616



DANPF9305

90° Adjustable Elbow NPTF Female - SAE Male + O Ring

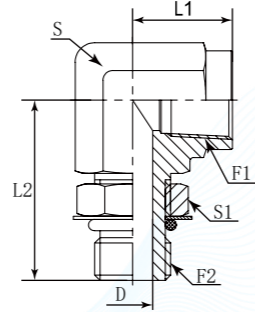
D	A	NP	F	9	30	5
Company	Product Range	Thread Types	Connection Type	Adaptor Structure	Thread Types	Sealing Type
DME	Adaptor	NPTF	Female	90° Elbow	SAE	Male + O Ring

German Technology Equipment

SHIELD FLEX

New-Standard

- DME&JDE Code: DANPF9305
- Product Type: Hydraulic Adaptor
- Standard: NPTF
- Structure: 90° Elbow
- Connection Type: Adjustable Female x Male
- Thread Types: NPTF 60° x UNF + O Ring
- Sealing Method: O Ring



PART NUMBER	F1 (Thread)	F2 (Thread)	L1	L2	D	S	S1	Hex
#	NPTF	UNF	mm	mm	mm	-	-	-
DANPF9305-0204IN	1/8"-27	7/16"-20	16.80	30.23	4.37	9/16"	9/16"	Imperial
DANPF9305-0205IN	1/8"-27	1/2"-20	16.80	30.2	5.94	9/16"	5/8"	Imperial
DANPF9305-0404IN	1/4"-18	7/16"-20	22.40	32	4.37	3/4"	9/16"	Imperial
DANPF9305-0406IN	1/4"-18	9/16"-18	22.40	33.5	7.54	3/4"	11/16"	Imperial
DANPF9305-0408IN	1/4"-18	3/4"-16	22.40	36.83	9.93	3/4"	7/8"	Imperial
DANPF9305-0410IN	1/4"-18	7/8"-14	25.9	43.2	12.29	7/8"	1"	Imperial
DANPF9305-0604IN	3/8"-18	7/16"-20	25.9	32	4.37	7/8"	9/16"	Imperial
DANPF9305-0606IN	3/8"-18	9/16"-18	25.9	35.8	7.54	7/8"	11/16"	Imperial
DANPF9305-0608IN	3/8"-18	3/4"-16	26	39.1	9.93	7/8"	7/8"	Imperial
DANPF9305-0610IN	3/8"-18	7/8"-14	25.9	43.2	12.29	7/8"	1"	Imperial
DANPF9305-0806IN	1/2"-14	9/16"-18	31.2	38	7.54	1-1/16"	11/16"	Imperial
DANPF9305-0808IN	1/2"-14	3/4"-16	31.2	41.1	9.93	1-1/16"	7/8"	Imperial
DANPF9305-0810IN	1/2"-14	7/8"-14	31.2	45.2	12.29	1-1/16"	1"	Imperial
DANPF9305-0812IN	1/2"-14	1-1/16"-12	31.2	49.3	15.47	1-1/16"	1-1/4"	Imperial
DANPF9305-0814IN	1/2"-14	1-3/16"-12	36.1	52.1	18.26	1-5/16"	1-3/8"	Imperial
DANPF9305-1208IN	3/4"-14	3/4"-16	27.94	49.3	9.93	1-5/16"	7/8"	Imperial
DANPF9305-1210IN	3/4"-14	7/8"-14	27.94	48	12.29	1-5/16"	1"	Imperial
DANPF9305-1212IN	3/4"-14	1-1/16"-12	27.94	52.1	15.47	1-5/16"	1-1/4"	Imperial
DANPF9305-1214IN	3/4"-14	1-3/16"-12	36.10	52.1	18.26	1-5/16"	1-3/8"	Imperial
DANPF9305-1216IN	3/4"-14	1-5/16"-12	34.50	52.1	21.44	1-5/16"	1-1/2"	Imperial
DANPF9305-1616IN	1"-11-1/2	1-5/16"-12	41.20	57.2	21.44	1-5/8"	1-1/2"	Imperial
DANPF9305-1620IN	1"-11-1/2	1-5/8"-12	41.15	57.15	27.38	1-5/8"	1-7/8"	Imperial
DANPF9305-2016IN	1-1/4"-11-1/2	1-5/16"-12	43.20	60.71	21.44	1-7/8"	1-1/2"	Imperial
DANPF9305-2020IN	1-1/4"-11-1/2	1-5/8"-12	43.20	60.7	27.38	1-7/8"	1-7/8"	Imperial
DANPF9305-2424IN	1-1/2"-11-1/2	1-7/8"-12	52.80	73.4	33.32	2-9/16"	2-1/8"	Imperial
DANPF9305-3232IN	2"-11-1/2	2-1/2"-12	60.70	77.8	45.24	2-13/16"	2-3/4"	Imperial

DANPS9305

90° Adjustable Elbow NPSM Swivel Female 60° - SAE Male O Ring

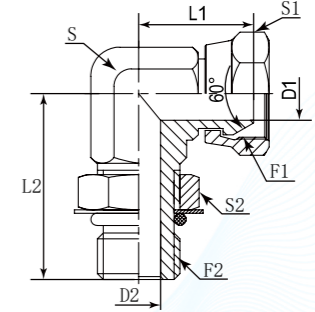
D	A	NPS	9	30	5
Company	Product Range	Thread Types	Adaptor Structure	Thread Types	Connection Type
DME	Adaptor	NPSM	90° Elbow	SAE UNF	Male O Ring

German Technology Equipment

SHIELD FLEX

New-Standard

- DME&JDE Code: DANPS9305
- Product Type: Hydraulic Adaptor
- Standard: NPTF
- Structure: 90° Elbow
- Connection Type: Adjustable Swivel Female x Male
- Thread Types: NPSM 60° x SAE UNF
- Sealing Method: O Ring



PART NUMBER	F1 (Thread)	F2 (Thread)	L1	L2	D1	D2	S	S1	S2	Hex
#	NPSM	UNF	mm	mm	mm	mm	-	-	-	-
DANPS9305-0204	1/8"-27	7/16"-20	17.80	26.20	2.79	4.37	11 mm	14 mm	14 mm	Metric
DANPS9305-0204IN	1/8"-27	7/16"-20	17.80	26.20	2.79	4.37	7/16"	9/16"	9/16"	Imperial
DANPS9305-0404	1/4"-18	7/16"-20	20.14	30.20	5.33	4.37	14 mm	19 mm	14 mm	Metric
DANPS9305-0406	1/4"-18	9/16"-18	22.35	31.80	5.33	7.54	14 mm	19 mm	17 mm	Metric
DANPS9305-0408	1/4"-18	3/4"-16	24.63	36.80	5.33	9.93	19 mm	19 mm	22 mm	Metric
DANPS9305-0410	1/4"-18	7/8"-14	26.23	43.20	5.33	12.29	22 mm	19 mm	27 mm	Metric
DANPS9305-0404IN	1/4"-18	7/16"-20	20.14	30.20	5.33	4.37	9/16"	11/16"	9/16"	Imperial
DANPS9305-0406IN	1/4"-18	9/16"-18	22.35	31.80	5.33	7.54	9/16"	11/16"	11/16"	Imperial
DANPS9305-0408IN	1/4"-18	3/4"-16	24.63	36.80	5.33	9.93	3/4"	11/16"	7/8"	Imperial
DANPS9305-0410IN	1/4"-18	7/8"-14	26.23	43.20	5.33	12.29	7/8"	11/16"	1"	Imperial
DANPS9305-0604	3/8"-18	7/16"-20	24.20	32.00	8.13	4.37	19 mm	22 mm	14 mm	Metric
DANPS9305-0606	3/8"-18	9/16"-18	22.86	31.75	8.13	7.54	14 mm	22 mm	17 mm	Metric
DANPS9305-0608	3/8"-18	3/4"-16	25.20	36.80	8.13	9.93	19 mm	22 mm	22 mm	Metric
DANPS9305-0610	3/8"-18	7/8"-14	26.92	43.20	8.13	12.29	22 mm	22 mm	27 mm	Metric
DANPS9305-0612	3/8"-18	1-1/16"-12	32.00	49.30	8.13	15.47	27 mm	22 mm	32 mm	Metric
DANPS9305-0604IN	3/8"-18	7/16"-20	24.20	32.00	8.13	4.37	3/4"	7/8"	9/16"	Imperial
DANPS9305-0606IN	3/8"-18	9/16"-18	22.86	31.75	8.13	7.54	9/16"	7/8"	11/16"	Imperial
DANPS9305-0608IN	3/8"-18	3/4"-16	25.20	36.80	8.13	9.93	3/4"	7/8"	7/8"	Imperial
DANPS9305-0610IN	3/8"-18	7/8"-14	26.92	43.20	8.13	12.29	7/8"	7/8"	1"	Imperial
DANPS9305-0612IN	3/8"-18	1-1/16"-12	32.00	49.30	8.13	15.47	1-1/16"	7/8"	1-1/4"	Imperial



DANPS9305-0804	1/2"-14	7/16"-20	26.50	32.00	11.18	4.37	19 mm	27 mm	14 mm	Metric
DANPS9305-0806	1/2"-14	9/16"-18	26.42	35.81	11.18	7.54	19 mm	27 mm	17 mm	Metric
DANPS9305-0808	1/2"-14	3/4"-16	26.41	36.83	11.18	9.93	19 mm	27 mm	22 mm	Metric
DANPS9305-0810	1/2"-14	7/8"-14	28.19	43.20	11.18	12.29	22 mm	27 mm	27 mm	Metric
DANPS9305-0812	1/2"-14	1-1/16"-12	33.78	49.20	11.18	15.47	27 mm	27 mm	32 mm	Metric
DANPS9305-0804IN	1/2"-14	7/16"-20	26.50	32.00	11.18	4.37	3/4"	1"	9/16"	Imperial
DANPS9305-0806IN	1/2"-14	9/16"-18	26.42	35.81	11.18	7.54	3/4"	1"	11/16"	Imperial
DANPS9305-0808IN	1/2"-14	3/4"-16	26.41	36.83	11.18	9.93	3/4"	1"	7/8"	Imperial
DANPS9305-0810IN	1/2"-14	7/8"-14	28.19	43.20	11.18	12.29	7/8"	1"	1"	Imperial
DANPS9305-0812IN	1/2"-14	1-1/16"-12	33.78	49.20	11.18	15.47	1-1/16"	1"	1-1/4"	Imperial
DANPS9305-1208	3/4"-14	3/4"-16	33.02	41.20	15.49	9.93	27 mm	32 mm	22 mm	Metric
DANPS9305-1210	3/4"-14	7/8"-14	32.50	45.21	15.49	12.29	27 mm	32 mm	27 mm	Metric
DANPS9305-1212	3/4"-14	1-1/16"-12	33.30	49.20	15.49	15.47	27 mm	32 mm	32 mm	Metric
DANPS9305-1214	3/4"-14	1-3/16"-12	35.60	50.80	15.49	18.26	33 mm	32 mm	36 mm	Metric
DANPS9305-1216	3/4"-14	1-5/16"-12	35.50	52.10	15.49	21.44	33 mm	32 mm	41 mm	Metric
DANPS9305-1220	3/4"-14	1-5/8"-12	40.50	57.20	15.49	27.38	41 mm	32 mm	50 mm	Metric
DANPS9305-1208IN	3/4"-14	3/4"-16	33.02	41.20	15.49	9.93	1-1/16"	1-1/4"	7/8"	Imperial
DANPS9305-1210IN	3/4"-14	7/8"-14	32.50	45.21	15.49	12.29	1-1/16"	1-1/4"	1"	Imperial
DANPS9305-1212IN	3/4"-14	1-1/16"-12	33.30	49.20	15.49	15.47	1-1/16"	1-1/4"	1-1/4"	Imperial
DANPS9305-1214IN	3/4"-14	1-3/16"-12	35.60	50.80	15.49	18.26	1-5/16"	1-1/4"	1-3/8"	Imperial
DANPS9305-1216IN	3/4"-14	1-5/16"-12	35.50	52.10	15.49	21.44	1-5/16"	1-1/4"	1-1/2"	Imperial
DANPS9305-1220IN	3/4"-14	1-5/8"-12	40.50	57.20	15.49	27.38	1-5/8"	1-1/4"	1-7/8"	Imperial
DANPS9305-1612	1"-11-1/2	1-1/16"-12	39.12	52.10	19.81	15.47	33 mm	41 mm	32 mm	Metric
DANPS9305-1616	1"-11-1/2	1-5/16"-12	39.12	52.10	19.81	21.44	33 mm	41 mm	41 mm	Metric
DANPS9305-1620	1"-11-1/2	1-5/8"-12	44.50	57.20	19.81	27.38	41 mm	41 mm	50 mm	Metric
DANPS9305-1612IN	1"-11-1/2	1-1/16"-12	39.12	52.10	19.81	15.47	1-5/16"	1-1/2"	1-1/4"	Imperial
DANPS9305-1616IN	1"-11-1/2	1-5/16"-12	39.12	52.10	19.81	21.44	1-5/16"	1-1/2"	1-1/2"	Imperial
DANPS9305-1620IN	1"-11-1/2	1-5/8"-12	44.50	57.20	19.81	27.38	1-5/8"	1-1/2"	1-7/8"	Imperial
DANPS9305-2020	1-1/4"-11-1/2	1-5/8"-12	45.20	57.20	25.65	27.38	41 mm	50 mm	50 mm	Metric
DANPS9305-2020IN	1-1/4"-11-1/2	1-5/8"-12	45.20	57.20	25.65	27.38	1-5/8"	1-7/8"	1-7/8"	Imperial
DANPS9305-2424	1-1/2"-11-1/2	1-7/8"-12	48.01	60.70	31.75	33.32	50 mm	55 mm	55 mm	Metric
DANPS9305-2424IN	1-1/2"-11-1/2	1-7/8"-12	48.01	60.70	31.75	33.32	1-7/8"	2-1/8"	2-1/8"	Imperial
DANPS9305-3232	2"-11-1/2	2-1/2"-12	61.60	73.40	43.69	45.24	60 mm	65 mm	70 mm	Metric
DANPS9305-3232IN	2"-11-1/2	2-1/2"-12	61.60	73.40	43.69	45.24	2-1/2"	2-5/8"	2-3/4"	Imperial

DANPS906Q

90° Adjustable Elbow NPSM Swivel Female 60° - BSPP Male + O Ring + Retaining Ring

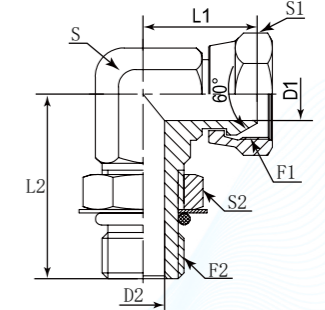
D	A	NPS	9	06	0
Company	Product Range	Thread Types	Adaptor Structure	Thread Types	Connection Type
DME	Adaptor	NPSM	90° Elbow	BSPP	Male + O Ring + Retaining Ring

German Technology Equipment

SHIELD FLEX

New-Standard

- DME&JDE Code:** DANPS906Q
- Product Type:** Hydraulic Adaptor
- Standard:** NPTF
- Structure:** 90° Elbow
- Connection Type:** Adjustable Swivel Female x Male
- Thread Types:** NPSM 60° x BSPP
- Sealing Method:** O Ring + Retaining Ring



PART NUMBER	F1 (Thread)	F2 (Thread)	D1	D2	L1	L2	S	S1	S1
#	NPSM	BSPP	mm	mm	mm	mm	mm	mm	mm
DANPS906Q-0202	1/8"-27	1/8"-28	2.79	4.40	17.80	26.00	11.00	14.27	14.00
DANPS906Q-0204	1/8"-27	1/4"-19	2.79	7.50	20.60	31.50	14.00	14.27	19.00
DANPS906Q-0402	1/4"-18	1/8"-28	5.33	4.40	20.14	28.00	14.00	17.48	14.00
DANPS906Q-0404	1/4"-18	1/4"-19	5.33	7.50	20.14	31.50	14.00	17.48	19.00
DANPS906Q-0406	1/4"-18	3/8"-19	5.33	9.90	24.63	36.50	19.00	17.48	22.00
DANPS906Q-0604	3/8"-18	1/4"-19	8.13	7.50	22.86	31.50	14.00	22.23	19.00
DANPS906Q-0606	3/8"-18	3/8"-19	8.13	9.90	25.20	36.50	19.00	22.23	22.00
DANPS906Q-0806	1/2"-14	3/8"-19	11.18	9.90	26.41	36.50	19.00	25.40	22.00
DANPS906Q-0808	1/2"-14	1/2"-14	11.18	12.30	28.19	43.00	22.00	25.40	27.00
DANPS906Q-1208	3/4"-14	1/2"-14	15.49	12.30	32.50	45.50	27.00	31.75	27.00
DANPS906Q-1212	3/4"-14	3/4"-14	15.49	15.50	32.50	49.00	27.00	31.75	36.00
DANPS906Q-1612	1"-11-1/2	3/4"-14	19.81	15.50	39.12	52.00	33.00	38.10	36.00
DANPS906Q-1616	1"-11-1/2	1"-11	19.81	21.50	39.12	52.00	33.00	38.10	41.00
DANPS906Q-2016	1-1/4"-11-1/2	1"-11	25.65	21.50	45.20	57.00	41.00	47.63	41.00
DANPS906Q-2020	1-1/4"-11-1/2	1-1/4"-11	25.65	27.50	45.20	57.00	41.00	47.63	50.00
DANPS906Q-2420	1-1/2"-11-1/2	1-1/4"-11	31.75	27.50	48.00	61.00	48.00	53.98	50.00
DANPS906Q-2424	1-1/2"-11-1/2	1-1/2"-11	31.75	33.00	48.00	61.00	48.00	53.98	55.00
DANPS906Q-3224	2"-11-1/2	1-1/2"-11	43.69	33.00	61.60	75.00	63.50	66.68	55.00
DANPS906Q-3232	2"-11-1/2	2"-11	43.69	45.00	61.60	75.00	63.50	66.68	70.00

DANPF928F

90° Elbow Connector NPTF Female - NPTF Female

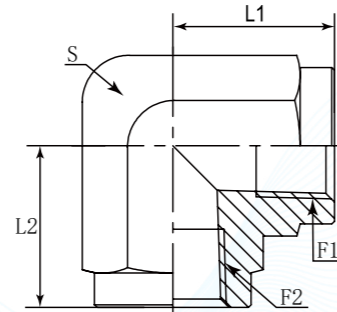
D	A	NP	F	9	28	F
Company	Product Range	Thread Types	Connection Type	Adaptor Structure	Thread Types	Connection Type
DME	Adaptor	NPTF	Female	90° Elbow	NPTF	Female

German Technology Equipment

SHIELD FLEX

New-Standard

- DME&JDE Code: **DANPF928F**
- Product Type: **Hydraulic Adaptor**
- Standard: **NPTF**
- Structure: **90° Elbow**
- Connection Type: **Female x Female**
- Thread Types: **NPTF x NPTF**



PART NUMBER	F1 (Thread)	F2 (Thread)	L1	L2	S	Hex
#	NPTF	NPTF	mm	mm	-	-
DANPF928F-0202	1/8"-27	1/8"-27	16.80	16.80	14 mm	Metric
DANPF928F-0202IN	1/8"-27	1/8"-27	16.80	16.80	9/16"	Imperial
DANPF928F-0402	1/4"-18	1/8"-27	22.40	22.40	19 mm	Metric
DANPF928F-0404	1/4"-18	1/4"-18	22.40	22.40	19 mm	Metric
DANPF928F-0402IN	1/4"-18	1/8"-27	22.40	22.40	3/4"	Imperial
DANPF928F-0404IN	1/4"-18	1/4"-18	22.40	22.40	3/4"	Imperial
DANPF928F-0604	3/8"-18	1/4"-18	25.90	25.90	22 mm	Metric
DANPF928F-0606	3/8"-18	3/8"-18	25.90	25.90	22 mm	Metric
DANPF928F-0604IN	3/8"-18	1/4"-18	25.90	25.90	7/8"	Imperial
DANPF928F-0606IN	3/8"-18	3/8"-18	25.90	25.90	7/8"	Imperial
DANPF928F-0804	1/2"-14	1/4"-18	31.20	31.20	27 mm	Metric
DANPF928F-0806	1/2"-14	3/8"-18	31.20	25.70	27 mm	Metric
DANPF928F-0808	1/2"-14	1/2"-14	31.20	31.20	27 mm	Metric
DANPF928F-0804IN	1/2"-14	1/4"-18	31.20	31.20	1-1/16"	Imperial
DANPF928F-0806IN	1/2"-14	3/8"-18	31.20	25.70	1-1/16"	Imperial
DANPF928F-0808IN	1/2"-14	1/2"-14	31.20	31.20	1-1/16"	Imperial
DANPF928F-1206	3/4"-14	3/8"-18	34.50	34.20	33 mm	Metric
DANPF928F-1208	3/4"-14	1/2"-14	34.50	34.30	33 mm	Metric
DANPF928F-1212	3/4"-14	3/4"-14	34.50	34.50	33 mm	Metric
DANPF928F-1206IN	3/4"-14	3/8"-18	34.50	34.20	1-5/16"	Imperial
DANPF928F-1208IN	3/4"-14	1/2"-14	34.50	34.30	1-5/16"	Imperial
DANPF928F-1212IN	3/4"-14	3/4"-14	34.50	34.50	1-5/16"	Imperial
DANPF928F-1608	1"-11-1/2	1/2"-14	41.20	41.20	41 mm	Metric
DANPF928F-1612	1"-11-1/2	3/4"-14	41.20	41.20	41 mm	Metric
DANPF928F-1616	1"-11-1/2	1"-11-1/2	41.20	41.20	41 mm	Metric
DANPF928F-1608IN	1"-11-1/2	1/2"-14	41.20	41.20	1-5/8"	Imperial
DANPF928F-1612IN	1"-11-1/2	3/4"-14	41.20	41.20	1-5/8"	Imperial
DANPF928F-1616IN	1"-11-1/2	1"-11-1/2	41.20	41.20	1-5/8"	Imperial
DANPF928F-2012	1-1/4"-11-1/2	3/4"-14	43.20	38.50	50 mm	Metric
DANPF928F-2016	1-1/4"-11-1/2	1"-11-1/2	43.20	43.20	50 mm	Metric
DANPF928F-2020	1-1/4"-11-1/2	1-1/4"-11-1/2	43.20	43.20	50 mm	Metric
DANPF928F-2012IN	1-1/4"-11-1/2	3/4"-14	43.20	38.50	1-7/8"	Imperial
DANPF928F-2016IN	1-1/4"-11-1/2	1"-11-1/2	43.20	43.20	1-7/8"	Imperial
DANPF928F-2020IN	1-1/4"-11-1/2	1-1/4"-11-1/2	43.20	43.20	1-7/8"	Imperial
DANPF928F-2420	1-1/2"-11-1/2	1-1/4"-11-1/2	52.80	52.50	65 mm	Metric
DANPF928F-2424	1-1/2"-11-1/2	1-1/2"-11-1/2	52.80	52.80	65 mm	Metric
DANPF928F-2420IN	1-1/2"-11-1/2	1-1/4"-11-1/2	52.80	52.50	2-9/16"	Imperial
DANPF928F-2424IN	1-1/2"-11-1/2	1-1/2"-11-1/2	52.80	52.80	2-9/16"	Imperial
DANPF928F-3232	2"-11-1/2	2"-11-1/2	60.70	60.70	70 mm	Metric
DANPF928F-3232IN	2"-11-1/2	2"-11-1/2	60.70	60.70	2-13/16"	Imperial



DANPF9251

90° Elbow Connector NPTF Female - JIC Swivel Female 74°

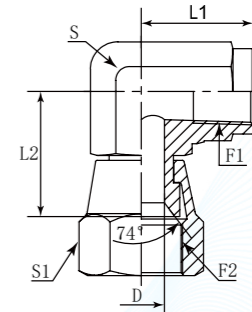
D	A	NP	F	9	251
Company	Product Range	Thread Types	Connection Type	Adaptor Structure	Connection Type
DME	Adaptor	NPTF	Female	90° Elbow	JIC UNF Swivel Female

German Technology Equipment

SHIELD FLEX

New-Standard

- DME&JDE Code: **DANPF9251**
- Product Type: **Hydraulic Adaptor**
- Standard: **NPTF**
- Structure: **90° Elbow**
- Connection Type: **Female x Swivel Female**
- Thread Types: **NPTF x JIC UNF 74°**



PART NUMBER	F1 (Thread)	F2 (Thread)	D	L1	L2	S	S1	Hex
#	NPTF	UNF	mm	mm	mm	-	-	-
DANPF9251-0204	1/8"-27	7/16"-20	4.37	16.80	20.20	14 mm	14 mm	Metric
DANPF9251-0204IN	1/8"-27	7/16"-20	4.37	16.80	20.20	9/16"	9/16"	Imperial
DANPF9251-0402	1/4"-18	5/16"-24	1.57	22.35	21.53	19 mm	12 mm	Metric
DANPF9251-0404	1/4"-18	7/16"-20	4.37	22.40	21.50	19 mm	14 mm	Metric
DANPF9251-0406	1/4"-18	9/16"-18	7.54	22.40	22.22	19 mm	19 mm	Metric
DANPF9251-0402IN	1/4"-18	5/16"-24	1.57	22.35	21.53	3/4"	1/2"	Imperial
DANPF9251-0404IN	1/4"-18	7/16"-20	4.37	22.40	21.50	3/4"	9/16"	Imperial
DANPF9251-0406IN	1/4"-18	9/16"-18	7.54	22.40	22.22	3/4"	5/8"	Imperial
DANPF9251-0604	3/8"-18	7/16"-20	4.37	25.90	23.50	22 mm	14 mm	Metric
DANPF9251-0606	3/8"-18	9/16"-18	7.54	25.90	25.40	22 mm	19 mm	Metric
DANPF9251-0608	3/8"-18	3/4"-16	9.93	25.90	27.60	22 mm	22 mm	Metric
DANPF9251-0604IN	3/8"-18	7/16"-20	4.37	25.90	23.50	7/8"	9/16"	Imperial
DANPF9251-0606IN	3/8"-18	9/16"-18	7.54	25.90	25.40	7/8"	5/8"	Imperial
DANPF9251-0608IN	3/8"-18	3/4"-16	9.93	25.90	27.60	7/8"	7/8"	Imperial
DANPF9251-0806	1/2"-14	9/16"-18	7.54	31.20	27.10	27 mm	19 mm	Metric
DANPF9251-0808	1/2"-14	3/4"-16	9.93	31.20	28.41	27 mm	22 mm	Metric
DANPF9251-0810	1/2"-14	7/8"-14	12.29	31.24	28.45	27 mm	27 mm	Metric
DANPF9251-0806IN	1/2"-14	9/16"-18	7.54	31.20	27.10	1-1/8"	5/8"	Imperial
DANPF9251-0808IN	1/2"-14	3/4"-16	9.93	31.20	28.41	1-1/8"	7/8"	Imperial
DANPF9251-0810IN	1/2"-14	7/8"-14	12.29	31.24	28.45	1-1/8"	1"	Imperial
DANPF9251-1212	3/4"-14	1-1/16"-12	15.47	34.50	32.97	33 mm	32 mm	Metric
DANPF9251-1212IN	3/4"-14	1-1/16"-12	15.47	34.50	32.97	1-5/16"	1-1/4"	Imperial
DANPF9251-1616	1"-11-1/2	1-5/16"-12	21.44	41.20	42.00	41 mm	41 mm	Metric
DANPF9251-1616IN	1"-11-1/2	1-5/16"-12	21.44	41.20	42.00	1-1/2"	1-1/2"	Imperial
DANPF9251-2020	1-1/4"-11-1/2	1-5/8"-12	27.38	43.20	45.69	48 mm	50 mm	Metric
DANPF9251-2020IN	1-1/4"-11-1/2	1-5/8"-12	27.38	43.20	45.69	1-7/8"	2"	Imperial



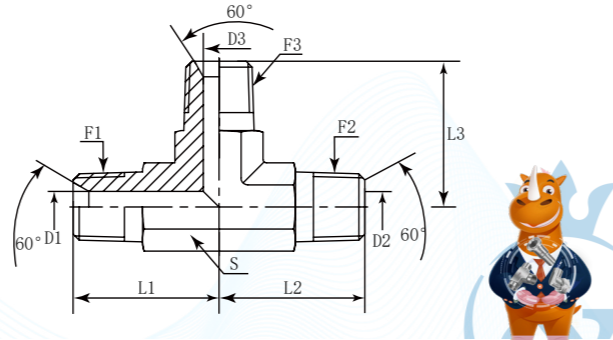
DANPMT28M

Branch Tee Connector NPTF Male 60° – NPTF Male 60°

D	A	NP	M	T	28	M
Company	Product Range	Thread Types	Connection Type	Adaptor Structure	Thread Types	Connection Type
DME	Adaptor	NPTF	Male	Branch Tee	NPTF	Male



- DME&JDE Code:** DANPMT28M
- Product Type:** Hydraulic Adaptor
- Standard:** NPTF
- Structure:** Branch Tee
- Connection Type:** Male x Male x Male
- Thread Types:** NPTF 60° x NPTF 60° x NPTF 60°



PART NUMBER	F1 (Thread)	F2 (Thread)	F3 (Thread)	L1	L2	L3	D1	D2	D3	S	Hex
#	NPTF	NPTF	NPTF	mm	mm	mm	mm	mm	mm	-	-
DANPMT28M-0202	1/8"-27	1/8"-27	1/8"-27	19.80	19.80	19.80	4.78	4.78	4.78	11 mm	Metric
DANPMT28M-0202IN	1/8"-27	1/8"-27	1/8"-27	19.80	19.80	19.80	4.78	4.78	4.78	7/16"	Imperial
DANPMT28M-0404	1/4"-18	1/4"-18	1/4"-18	27.70	27.70	27.70	7.14	7.14	7.14	14 mm	Metric
DANPMT28M-0404IN	1/4"-18	1/4"-18	1/4"-18	27.70	27.70	27.70	7.14	7.14	7.14	9/16"	Imperial
DANPMT28M-0606	3/8"-18	3/8"-18	3/8"-18	31.00	31.00	31.00	10.31	10.31	10.31	19 mm	Metric
DANPMT28M-0606IN	3/8"-18	3/8"-18	3/8"-18	31.00	31.00	31.00	10.31	10.31	10.31	3/4"	Imperial
DANPMT28M-0808	1/2"-14	1/2"-14	1/2"-14	37.30	37.30	37.30	13.49	13.49	13.49	22 mm	Metric
DANPMT28M-0808IN	1/2"-14	1/2"-14	1/2"-14	37.30	37.30	37.30	13.49	13.49	13.49	7/8"	Imperial
DANPMT28M-1212	3/4"-14	3/4"-14	3/4"-14	40.40	40.40	40.40	18.26	18.26	18.26	27 mm	Metric
DANPMT28M-1212IN	3/4"-14	3/4"-14	3/4"-14	40.40	40.40	40.40	18.26	18.26	18.26	1-1/16"	Imperial
DANPMT28M-1616	1"-11-1/2	1"-11-1/2	1"-11-1/2	50.00	50.00	50.00	23.83	23.83	23.83	33 mm	Metric
DANPMT28M-1616IN	1"-11-1/2	1"-11-1/2	1"-11-1/2	50.00	50.00	50.00	23.83	23.83	23.83	1-5/16"	Imperial
DANPMT28M-2020	1-1/4"-11-1/2	1-1/4"-11-1/2	1-1/4"-11-1/2	60.50	60.50	60.50	31.75	31.75	31.75	41 mm	Metric
DANPMT28M-2020IN	1-1/4"-11-1/2	1-1/4"-11-1/2	1-1/4"-11-1/2	60.50	60.50	60.50	31.75	31.75	31.75	1-5/8"	Imperial
DANPMT28M-2424	1-1/2"-11-1/2	1-1/2"-11-1/2	1-1/2"-11-1/2	67.10	67.10	67.10	38.10	38.10	38.10	50 mm	Metric
DANPMT28M-2424IN	1-1/2"-11-1/2	1-1/2"-11-1/2	1-1/2"-11-1/2	67.10	67.10	67.10	38.10	38.10	38.10	1-7/8"	Imperial
DANPMT28M-3232	2"-11-1/2	2"-11-1/2	2"-11-1/2	76.10	76.10	76.10	49.23	49.23	49.23	60 mm	Metric
DANPMT28M-3232IN	2"-11-1/2	2"-11-1/2	2"-11-1/2	76.10	76.10	76.10	49.23	49.23	49.23	2-1/2"	Imperial

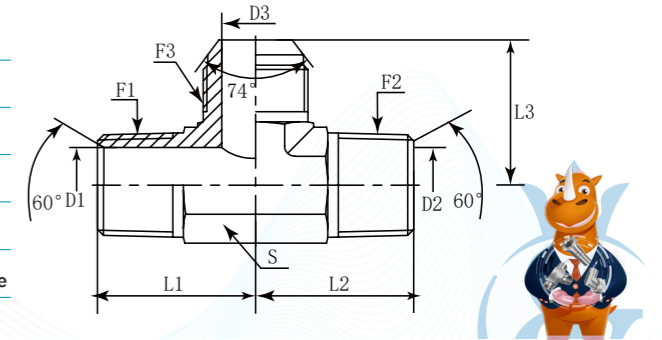
DANPMT25M

Branch Tee Connector NPTF Male 60° - JIC Male 74°

D	A	NP	M	T	25	M
Company	Product Range	Thread Types	Connection Type	Adaptor Structure	Thread Types	Connection Type
DME	Adaptor	NPTF	Male	Branch Tee	JIC UNF	Male



- DME&JDE Code:** DANPMT25M
- Product Type:** Hydraulic Adaptor
- Standard:** NPTF
- Structure:** Branch Tee
- Connection Type:** Male x Male
- Thread Types:** NPTF 60° Cone x NPTF 60° Cone x JIC UNF 74° Cone



PART NUMBER	F1 (Thread)	F2 (Thread)	F3 (Thread)	D1	D2	D3	L1	L2	L3	S	Hex
#	NPTF	NPTF	UNF	mm	mm	mm	mm	mm	mm	-	-
DANPMT25M-0404	1/4"-18	1/4"-18	7/16"-20	7.14	7.14	4.37	27.70	27.70	26.70	14 mm	Metric
DANPMT25M-0406	1/4"-18	1/4"-18	9/16"-20	7.14	7.14	7.54	27.70	27.70	26.90	14 mm	Metric
DANPMT25M-0404IN	1/4"-18	1/4"-18	7/16"-20	7.14	7.14	4.37	27.70	27.70	26.70	9/16"	Imperial
DANPMT25M-0406IN	1/4"-18	1/4"-18	9/16"-20	7.14	7.14	7.54	27.70	27.70	26.90	9/16"	Imperial
DANPMT25M-0606	3/8"-18	3/8"-18	9/16"-18	10.31	10.31	7.54	31.00	31.00	28.96	19 mm	Metric
DANPMT25M-0606IN	3/8"-18	3/8"-18	9/16"-18	10.31	10.31	7.54	31.00	31.00	28.96	3/4"	Imperial
DANPMT25M-0808	1/2"-14	1/2"-14	3/4"-16	13.49	13.49	9.93	37.34	37.34	33.80	22 mm	Metric
DANPMT25M-0810	1/2"-14	1/2"-14	7/8"-14	12.00	12.00	13.69	37.34	37.34	36.80	22 mm	Metric
DANPMT25M-0808IN	1/2"-14	1/2"-14	3/4"-16	13.49	13.49	9.93	37.34	37.34	33.80	7/8"	Imperial
DANPMT25M-0810IN	1/2"-14	1/2"-14	7/8"-14	12.00	12.00	13.69	37.34	37.34	36.80	7/8"	Imperial
DANPMT25M-1212	3/4"-14	3/4"-14	1-1/16"-12	18.26	18.26	15.47	40.40	40.40	42.20	27 mm	Metric
DANPMT25M-1216	3/4"-14	3/4"-14	1-5/16"-12	18.26	18.26	21.44	45.20	45.20	46.00	33 mm	Metric
DANPMT25M-1212IN	3/4"-14	3/4"-14	1-1/16"-12	18.26	18.26	15.47	40.40	40.40	42.20	1-1/8"	Imperial
DANPMT25M-1216IN	3/4"-14	3/4"-14	1-5/16"-12	18.26	18.26	21.44	45.20	45.20	46.00	1-5/16"	Imperial
DANPMT25M-1616	1"-11-1/2	1"-11-1/2	1-5/16"-12	23.83	23.83	21.44	50.00	50.00	46.00	33 mm	Metric
DANPMT25M-1616IN	1"-11-1/2	1"-11-1/2	1-5/16"-12	23.83	23.83	21.44	50.00	50.00	46.00	1-5/16"	Imperial

DANPFT25M

Branch Tee Connector NPTF Female - JIC Male 74°

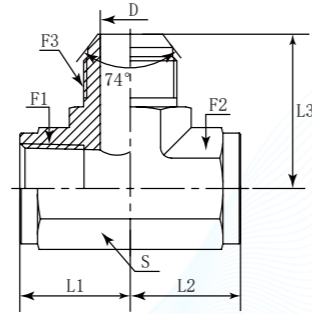
D	A	NP	F	T	25	M
Company	Product Range	Thread Types	Connection Type	Adaptor Structure	Thread Types	Connection Type
DME	Adaptor	NPTF	Female	Branch Tee	JIC	Male

German Technology Equipment

SHIELD FLEX

New-Standard

- DME&JDE Code: DANPFT25M
- Product Type: Hydraulic Adaptor
- Standard: NPTF
- Structure: Branch Tee
- Connection Type: Female x Female x Male
- Thread Types: NPTF x NPTF x UNF 74° Cone



PART NUMBER	F1 (Thread)	F2 (Thread)	F3 (Thread)	D	L1	L2	L3	S	Hex
#	NPTF	NPTF	UNF	mm	mm	mm	mm	-	-
DANPFT25M-0204	1/8"-27	1/8"-27	7/16"-20	4.37	16.80	16.80	27.40	14 mm	Metric
DANPFT25M-0204IN	1/8"-27	1/8"-27	7/16"-20	4.37	16.80	16.80	27.40	9/16"	Imperial
DANPFT25M-0406	1/4"-18	1/4"-18	9/16"-18	7.54	22.40	22.40	31.20	19 mm	Metric
DANPFT25M-0406IN	1/4"-18	1/4"-18	9/16"-18	7.54	22.40	22.40	31.20	3/4"	Imperial
DANPFT25M-0608	3/8"-18	3/8"-18	3/4"-16	9.93	25.90	25.90	36.10	22 mm	Metric
DANPFT25M-0608IN	3/8"-18	3/8"-18	3/4"-16	9.93	25.90	25.90	36.10	7/8"	Imperial
DANPFT25M-0808	1/2"-14	1/2"-14	3/4"-16	9.93	31.20	31.20	38.60	27 mm	Metric
DANPFT25M-0810	1/2"-14	1/2"-14	7/8"-14	12.29	31.20	31.20	41.70	27 mm	Metric
DANPFT25M-0808IN	1/2"-14	1/2"-14	3/4"-16	9.93	31.20	31.20	38.60	1-1/8"	Imperial
DANPFT25M-0810IN	1/2"-14	1/2"-14	7/8"-14	12.29	31.20	31.20	41.70	1-1/8"	Imperial
DANPFT25M-1212	3/4"-14	3/4"-14	1-1/16"-12	15.47	34.50	34.50	48.00	33 mm	Metric
DANPFT25M-1212IN	3/4"-14	3/4"-14	1-1/16"-12	15.47	34.50	34.50	48.00	1-5/16"	Imperial
DANPFT25M-1616	1"-11-1/2	1"-11-1/2	1-5/16"-12	21.44	41.15	41.15	55.12	41 mm	Metric
DANPFT25M-1616IN	1"-11-1/2	1"-11-1/2	1-5/16"-12	21.44	41.15	41.15	55.12	1-1/2"	Imperial

DANPFT28M

Branch Tee Connector NPTF Female - NPTF Male 60°

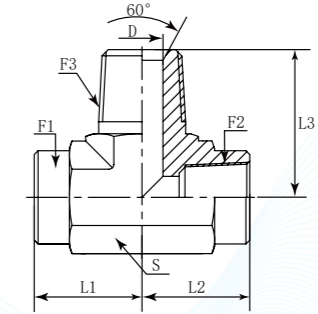
D	A	NP	F	T	28	M
Company	Product Range	Thread Types	Connection Type	Adaptor Structure	Thread Types	Connection Type
DME	Adaptor	NPTF	Female	Branch Tee	NPTF	Male

German Technology Equipment

SHIELD FLEX

New-Standard

- DME&JDE Code: DANPFT28M
- Product Type: Hydraulic Adaptor
- Standard: NPTF
- Structure: Branch Tee
- Connection Type: Female x Female x Male
- Thread Types: NPTF x NPTF x NPTF



PART NUMBER	F1 (Thread)	F2 (Thread)	F3 (Thread)	L1	L2	L3	D	S	Hex
#	NPTF	NPTF	NPTF	mm	mm	mm	mm	-	-
DANPFT28M-0202	1/8"-27	1/8"-27	1/8"-27	16.80	16.80	19.80	4.78	14 mm	Metric
DANPFT28M-0202IN	1/8"-27	1/8"-27	1/8"-27	16.80	16.80	19.80	4.78	9/16"	Imperial
DANPFT28M-0402	1/4"-18	1/4"-18	1/8"-27	27.70	27.70	17.00	7.14	19 mm	Metric
DANPFT28M-0404	1/4"-18	1/4"-18	1/4"-18	22.40	22.40	27.70	7.14	19 mm	Metric
DANPFT28M-0402IN	1/4"-18	1/4"-18	1/8"-27	27.70	27.70	17.00	7.14	3/4"	Imperial
DANPFT28M-0404IN	1/4"-18	1/4"-18	1/4"-18	22.40	22.40	27.70	7.14	3/4"	Imperial
DANPFT28M-0606	3/8"-18	3/8"-18	3/8"-18	25.90	25.90	31.00	10.31	22 mm	Metric
DANPFT28M-0606IN	3/8"-18	3/8"-18	3/8"-18	25.90	25.90	31.00	10.31	7/8"	Imperial
DANPFT28M-0808	1/2"-14	1/2"-14	1/2"-14	31.20	31.20	37.30	13.49	27 mm	Metric
DANPFT28M-0808IN	1/2"-14	1/2"-14	1/2"-14	31.20	31.20	37.30	13.49	1-1/16"	Imperial
DANPFT28M-1208	3/4"-14	3/4"-14	1/2"-14	40.40	40.40	31.20	18.26	27 mm	Metric
DANPFT28M-1212	3/4"-14	3/4"-14	3/4"-14	34.50	34.50	40.30	18.26	33 mm	Metric
DANPFT28M-1208IN	3/4"-14	3/4"-14	1/2"-14	40.40	40.40	31.20	18.26	1-1/16"	Imperial
DANPFT28M-1212IN	3/4"-14	3/4"-14	3/4"-14	34.50	34.50	40.30	18.26	1-5/16"	Imperial
DANPFT28M-1616	1"-11-1/2	1"-11-1/2	1"-11-1/2	41.20	41.20	50.00	23.83	41 mm	Metric
DANPFT28M-1616IN	1"-11-1/2	1"-11-1/2	1"-11-1/2	41.20	41.20	50.00	23.83	1-5/8"	Imperial
DANPFT28M-2020	1-1/4"-11-1/2	1-1/4"-11-1/2	1-1/4"-11-1/2	43.20	43.20	60.50	31.75	50 mm	Metric
DANPFT28M-2020IN	1-1/4"-11-1/2	1-1/4"-11-1/2	1-1/4"-11-1/2	43.20	43.20	60.50	31.75	1-7/8"	Imperial
DANPFT28M-2424	1-1/2"-11-1/2	1-1/2"-11-1/2	1-1/2"-11-1/2	52.80	52.80	67.10	38.10	65 mm	Metric
DANPFT28M-2424IN	1-1/2"-11-1/2	1-1/2"-11-1/2	1-1/2"-11-1/2	52.80	52.80	67.10	38.10	2-9/16"	Imperial
DANPFT28M-3232	2"-11-1/2	2"-11-1/2	2"-11-1/2	60.70	60.70	76.20	49.23	70 mm	Metric
DANPFT28M-3232IN	2"-11-1/2	2"-11-1/2	2"-11-1/2	60.70	60.70	76.20	49.23	2-13/16"	Imperial



DANPMT28F

(1) Branch Tee Connector NPTF Male 60° – NPTF Female

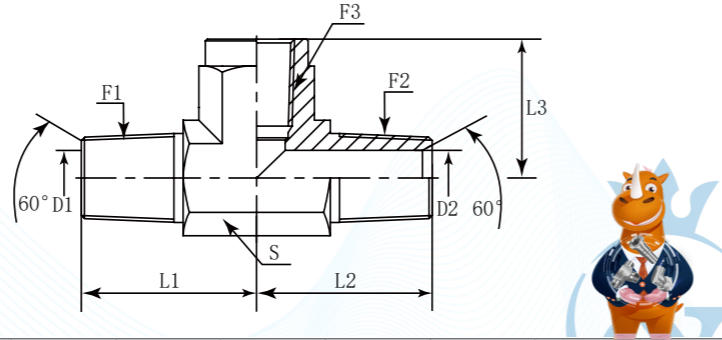
D	A	NP	M	T	28	F
Company	Product Range	Thread Types	Connection Type	Adaptor Structure	Thread Types	Connection Type
DME	Adaptor	NPTF	Male	Branch Tee	Female	Female

German Technology Equipment

SHIELD FLEX

New-Standard

- DME&JDE Code: **DANPMT28F**
- Product Type: **Hydraulic Adaptor**
- Standard: **NPTF**
- Structure: **Branch Tee**
- Connection Type: **Male x Male x Female**
- Thread Types: **NPTF x NPTF x NPTF**



PART NUMBER	F1 (Thread)	F2 (Thread)	F3 (Thread)	L1	L2	L3	D1	D2	S	Hex
#	NPTF	NPTF	NPTF	mm	mm	mm	mm	mm	-	-
DANPMT28F-0202	1/8"-27	1/8"-27	1/8"-27	19.80	19.80	16.80	4.78	4.78	14 mm	Metric
DANPMT28F-0202IN	1/8"-27	1/8"-27	1/8"-27	19.80	19.80	16.80	4.78	4.78	9/16"	Imperial
DANPMT28F-0404	1/4"-18	1/4"-18	1/4"-18	27.70	27.70	22.40	7.14	7.14	19 mm	Metric
DANPMT28F-0404IN	1/4"-18	1/4"-18	1/4"-18	27.70	27.70	22.40	7.14	7.14	3/4"	Imperial
DANPMT28F-0606	3/8"-18	3/8"-18	3/8"-18	31.00	31.00	25.90	10.31	10.31	22 mm	Metric
DANPMT28F-0606IN	3/8"-18	3/8"-18	3/8"-18	31.00	31.00	25.90	10.31	10.31	7/8"	Imperial
DANPMT28F-0808	1/2"-14	1/2"-14	1/2"-14	37.30	37.30	31.20	13.49	13.49	27 mm	Metric
DANPMT28F-0808IN	1/2"-14	1/2"-14	1/2"-14	37.30	37.30	31.20	13.49	13.49	1-1/16"	Imperial
DANPMT28F-1212	3/4"-14	3/4"-14	3/4"-14	40.40	40.40	34.50	18.26	18.26	33 mm	Metric
DANPMT28F-1212IN	3/4"-14	3/4"-14	3/4"-14	40.40	40.40	34.50	18.26	18.26	1-5/16"	Imperial
DANPMT28F-1616	1"-11-1/2	1"-11-1/2	1"-11-1/2	50.00	50.00	41.20	23.83	23.83	41 mm	Metric
DANPMT28F-1616IN	1"-11-1/2	1"-11-1/2	1"-11-1/2	50.00	50.00	41.20	23.83	23.83	1-5/8"	Imperial
DANPMT28F-2020	1-1/4"-11-1/2	1-1/4"-11-1/2	1-1/4"-11-1/2	60.50	60.50	43.20	31.75	31.75	50 mm	Metric
DANPMT28F-2020IN	1-1/4"-11-1/2	1-1/4"-11-1/2	1-1/4"-11-1/2	60.50	60.50	43.20	31.75	31.75	1-7/8"	Imperial
DANPMT28F-2424	1-1/2"-11-1/2	1-1/2"-11-1/2	1-1/2"-11-1/2	67.10	67.10	52.80	38.10	38.10	65 mm	Metric
DANPMT28F-2424IN	1-1/2"-11-1/2	1-1/2"-11-1/2	1-1/2"-11-1/2	67.10	67.10	52.80	38.10	38.10	2-9/16"	Imperial

DANPFT28F

Branch Tee Connector NPTF Female - NPTF Female

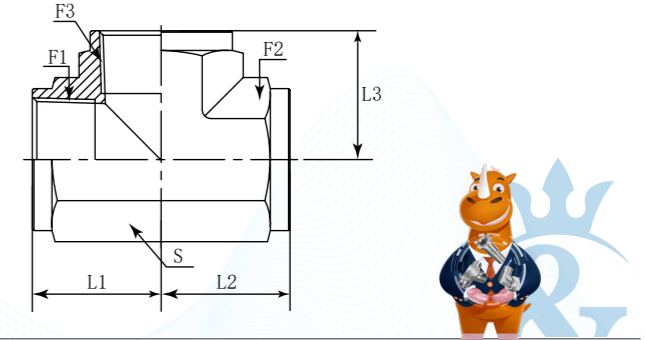
D	A	NP	F	T	28	F
Company	Product Range	Thread Types	Connection Type	Adaptor Structure	Thread Types	Connection Type
DME	Adaptor	NPTF	Female	Branch Tee	NPTF	Female

German Technology Equipment

SHIELD FLEX

New-Standard

- DME&JDE Code: **DANPFT28F**
- Product Type: **Hydraulic Adaptor**
- Standard: **NPTF**
- Structure: **Branch Tee**
- Connection Type: **Female x Female x Female**
- Thread Types: **NPTF x NPTF x NPTF**



PART NUMBER	F1 (Thread)	F2 (Thread)	F3 (Thread)	L1	L2	L3	S	Hex
#	NPTF	NPTF	NPTF	mm	mm	mm	-	-
DANPFT28F-0202	1/8"-27	1/8"-27	1/8"-27	16.80	16.80	16.80	14 mm	Metric
DANPFT28F-0202IN	1/8"-27	1/8"-27	1/8"-27	16.80	16.80	16.80	9/16"	Imperial
DANPFT28F-0402	1/4"-18	1/4"-18	1/8"-27	22.35	22.35	22.35	19 mm	Metric
DANPFT28F-0404	1/4"-18	1/4"-18	1/4"-18	22.35	22.35	22.35	19 mm	Metric
DANPFT28F-0402IN	1/4"-18	1/4"-18	1/8"-27	22.35	22.35	22.35	3/4"	Imperial
DANPFT28F-0404IN	1/4"-18	1/4"-18	1/4"-18	22.35	22.35	22.35	3/4"	Imperial
DANPFT28F-0606	3/8"-18	3/8"-18	3/8"-18	25.91	25.91	25.91	22 mm	Metric
DANPFT28F-0606IN	3/8"-18	3/8"-18	3/8"-18	25.91	25.91	25.91	7/8"	Imperial
DANPFT28F-0808	1/2"-14	1/2"-14	1/2"-14	31.24	31.24	31.24	27 mm	Metric
DANPFT28F-0808IN	1/2"-14	1/2"-14	1/2"-14	31.24	31.24	31.24	1-1/16"	Imperial
DANPFT28F-1212	3/4"-14	3/4"-14	3/4"-14	34.54	34.54	34.54	33 mm	Metric
DANPFT28F-1212IN	3/4"-14	3/4"-14	3/4"-14	34.54	34.54	34.54	1-5/16"	Imperial
DANPFT28F-1616	1"-11-1/2	1"-11-1/2	1"-11-1/2	41.20	41.20	41.20	41 mm	Metric
DANPFT28F-1616IN	1"-11-1/2	1"-11-1/2	1"-11-1/2	41.20	41.20	41.20	1-5/8"	Imperial
DANPFT28F-2020	1-1/4"-11-1/2	1-1/4"-11-1/2	1-1/4"-11-1/2	43.20	43.20	43.20	50 mm	Metric
DANPFT28F-2020IN	1-1/4"-11-1/2	1-1/4"-11-1/2	1-1/4"-11-1/2	43.20	43.20	43.20	1-7/8"	Imperial
DANPFT28F-2424	1-1/2"-11-1/2	1-1/2"-11-1/2	1-1/2"-11-1/2	52.80	52.80	52.80	65 mm	Metric
DANPFT28F-2424IN	1-1/2"-11-1/2	1-1/2"-11-1/2	1-1/2"-11-1/2	52.80	52.80	52.80	2-9/16"	Imperial
DANPFT28F-3232	2"-11-1/2	2"-11-1/2	2"-11-1/2	60.70	60.70	60.70	70 mm	Metric
DANPFT28F-3232IN	2"-11-1/2	2"-11-1/2	2"-11-1/2	60.70	60.70	60.70	2-13/16"	Imperial



DANPST091

Branch Tee Connector NPSM Swivel Female 60° – NPSM Swivel Female 60°

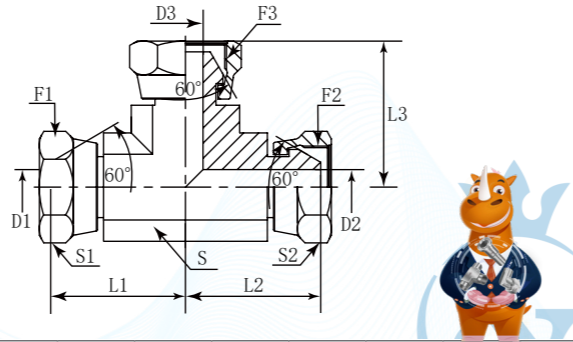
D	A	NPS	T	091
Company	Product Range	Thread Types	Adaptor Structure	Connection Type
DME	Adaptor	NPSM	Branch Tee	NPSM Swivel Female

German Technology Equipment

SHIELD FLEX

New-Standard

- DME&JDE Code: **DANPST091**
- Product Type: **Hydraulic Adaptor**
- Standard: **NPTF**
- Structure: **Branch Tee**
- Connection Type: **Swivel Female x Swivel Female x Swivel Female**
- Thread Types: **NPSM x NPSM x NPSM**



PART NUMBER	F1 (Thread)	F2 (Thread)	F3 (Thread)	L1	L2	L3	D1	D2	D3	S	S1	S2	S3	Hex
#	NPSM	NPSM	NPSM	mm	mm	mm	mm	mm	mm	-	-	-	-	-
DANPST091-0202	1/8"-27	1/8"-27	1/8"-27	17.78	17.78	17.78	2.79	2.79	2.79	11 mm	14 mm	14 mm	14 mm	Metric
DANPST091-0202IN	1/8"-27	1/8"-27	1/8"-27	17.78	17.78	17.78	2.79	2.79	2.79	7/16"	9/16"	9/16"	9/16"	Imperial
DANPST091-0404	1/4"-18	1/4"-18	1/4"-18	22.35	22.35	22.35	5.33	5.33	5.33	14 mm	19 mm	19 mm	19 mm	Metric
DANPST091-0404IN	1/4"-18	1/4"-18	1/4"-18	22.35	22.35	22.35	5.33	5.33	5.33	9/16"	11/16"	11/16"	11/16"	Imperial
DANPST091-0606	3/8"-18	3/8"-18	3/8"-18	25.15	25.15	25.15	8.13	8.13	8.13	19 mm	22 mm	22 mm	22 mm	Metric
DANPST091-0606IN	3/8"-18	3/8"-18	3/8"-18	25.15	25.15	25.15	8.13	8.13	8.13	3/4"	7/8"	7/8"	7/8"	Imperial
DANPST091-0808	1/2"-14	1/2"-14	1/2"-14	28.20	28.20	28.20	11.18	11.18	11.18	22 mm	27 mm	27 mm	27 mm	Metric
DANPST091-0808IN	1/2"-14	1/2"-14	1/2"-14	28.20	28.20	28.20	11.18	11.18	11.18	7/8"	1"	1"	1"	Imperial
DANPST091-1212	3/4"-14	3/4"-14	3/4"-14	33.02	33.02	33.02	15.49	15.49	15.49	27 mm	32 mm	32 mm	32 mm	Metric
DANPST091-1212IN	3/4"-14	3/4"-14	3/4"-14	33.02	33.02	33.02	15.49	15.49	15.49	1-1/16"	1-1/4"	1-1/4"	1-1/4"	Imperial
DANPST091-1616	1"-11-1/2	1"-11-1/2	1"-11-1/2	38.60	38.60	38.60	19.81	19.81	19.81	33 mm	41 mm	41 mm	41 mm	Metric
DANPST091-1616IN	1"-11-1/2	1"-11-1/2	1"-11-1/2	38.60	38.60	38.60	19.81	19.81	19.81	1-5/16"	1-1/2"	1-1/2"	1-1/2"	Imperial
DANPST091-2020	1-1/4"-11-1/2	1-1/4"-11-1/2	1-1/4"-11-1/2	46.00	46.00	46.00	25.65	25.65	25.65	41 mm	50 mm	50 mm	50 mm	Metric
DANPST091-2020IN	1-1/4"-11-1/2	1-1/4"-11-1/2	1-1/4"-11-1/2	46.00	46.00	46.00	25.65	25.65	25.65	1-5/8"	1-7/8"	1-7/8"	1-7/8"	Imperial

DANPST28F

Branch Tee Connector NPSM Swivel Female 60° – NPTF Female

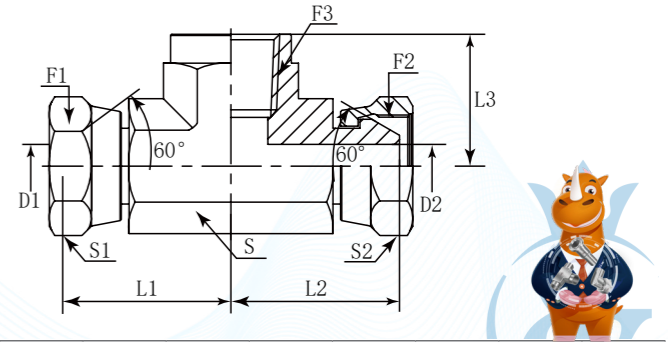
D	A	NPS	T	28	F
Company	Product Range	Thread Types	Adaptor Structure	Thread Types	Connection Type
DME	Adaptor	NPSM	Branch Tee	NPTF	Female

German Technology Equipment

SHIELD FLEX

New-Standard

- DME&JDE Code: **DANPST28F**
- Product Type: **Hydraulic Adaptor**
- Standard: **NPTF**
- Structure: **Branch Tee**
- Connection Type: **Swivel Female x Swivel Female x Female**
- Thread Types: **NPSM x NPSM x NPTF**



PART NUMBER	F1 (Thread)	F2 (Thread)	F3 (Thread)	L1	L2	L3	D1	D2	S	S1	S2	Hex
#	NPSM	NPSM	NPTF	mm	mm	mm	mm	mm	-	-	-	-
DANPST28F-0404	1/4"-18	1/4"-18	1/4"-18	23.50	23.50	22.40	5.33	5.33	19 mm	19 mm	19 mm	Metric
DANPST28F-0406	1/4"-18	1/4"-18	3/8"-18	25.90	25.90	25.91	5.33	5.33	22 mm	19 mm	19 mm	Metric
DANPST28F-0404IN	1/4"-18	1/4"-18	1/4"-18	23.50	23.50	22.40	5.33	5.33	3/4"	11/16"	11/16"	Imperial
DANPST28F-0406IN	1/4"-18	1/4"-18	3/8"-18	25.90	25.90	25.91	5.33	5.33	7/8"	11/16"	11/16"	Imperial
DANPST28F-0604	3/8"-18	3/8"-18	1/4"-18	25.65	25.65	22.40	8.13	8.13	19 mm	22 mm	22 mm	Metric
DANPST28F-0606	3/8"-18	3/8"-18	3/8"-18	26.00	26.00	25.90	8.13	8.13	22 mm	22 mm	22 mm	Metric
DANPST28F-0608	3/8"-18	3/8"-18	1/2"-14	29.72	29.72	31.24	8.13	8.13	27 mm	22 mm	22 mm	Metric
DANPST28F-0604IN	3/8"-18	3/8"-18	1/4"-18	25.65	25.65	22.40	8.13	8.13	3/4"	7/8"	7/8"	Imperial
DANPST28F-0606IN	3/8"-18	3/8"-18	3/8"-18	26.00	26.00	25.90	8.13	8.13	7/8"	7/8"	7/8"	Imperial
DANPST28F-0608IN	3/8"-18	3/8"-18	1/2"-14	29.72	29.72	31.24	8.13	8.13	1-1/16"	7/8"	7/8"	Imperial
DANPST28F-0808	1/2"-14	1/2"-14	1/2"-14	31.20	31.20	31.20	11.18	11.18	27 mm	27 mm	27 mm	Metric
DANPST28F-0812	1/2"-14	1/2"-14	3/4"-14	37.30	37.30	34.50	11.18	11.18	33 mm	27 mm	27 mm	Metric
DANPST28F-0808IN	1/2"-14	1/2"-14	1/2"-14	31.20	31.20	31.20	11.18	11.18	1-1/16"	1"	1"	Imperial
DANPST28F-0812IN	1/2"-14	1/2"-14	3/4"-14	37.30	37.30	34.50	11.18	11.18	1-5/16"	1"	1"	Imperial
DANPST28F-1212	3/4"-14	3/4"-14	3/4"-14	35.31	35.31	34.50	15.49	15.49	33 mm	32 mm	32 mm	Metric
DANPST28F-1216	3/4"-14	3/4"-14	1"-11-1/2	40.26	40.26	41.15	15.49	15.49	41 mm	32 mm	32 mm	Metric
DANPST28F-1212IN	3/4"-14	3/4"-14	3/4"-14	35.31	35.31	34.50	15.49	15.49	1-5/16"	1-1/4"	1-1/4"	Imperial
DANPST28F-1216IN	3/4"-14	3/4"-14	1"-11-1/2	40.26	40.26	41.15	15.49	15.49	1-5/8"	1-1/4"	1-1/4"	Imperial
DANPST28F-1612	1"-11-1/2	1"-11-1/2	3/4"-14	37.30	37.30	34.54	19.81	19.81	33 mm	32 mm	32 mm	Metric
DANPST28F-1616	1"-11-1/2	1"-11-1/2	1"-11-1/2	43.90	43.90	41.20	19.81	19.81	41 mm	41 mm	41 mm	Metric
DANPST28F-1612IN	1"-11-1/2	1"-11-1/2	3/4"-14	37.30	37.30	34.54	19.81	19.81	1-5/16"	1-1/4"	1-1/4"	Imperial
DANPST28F-1616IN	1"-11-1/2	1"-11-1/2	1"-11-1/2	43.90	43.90	41.20	19.81	19.81	1-5/8"	1-1/2"	1-1/2"	Imperial
DANPST28F-2020	1-1/4"-11-1/2	1-1/4"-11-1/2	1-1/4"-11-1/2	46.48	46.48	43.18	25.65	25.65	50 mm	50 mm	50 mm	Metric
DANPST28F-2020IN	1-1/4"-11-1/2	1-1/4"-11-1/2	1-1/4"-11-1/2	46.48	46.48	43.18	25.65	25.65	1-7/8"	1-7/8"	1-7/8"	Imperial
DANPST28F-2424	1-1/2"-11-1/2	1-1/2"-11-1/2	1-1/2"-11-1/2	61.21	61.21	52.8	31.75	31.75	65 mm	55 mm	55 mm	Metric
DANPST28F-2424IN	1-1/2"-11-1/2	1-1/2"-11-1/2	1-1/2"-11-1/2	61.21	61.21	52.8	31.75	31.75	2-9/16"	2-1/8"	2-1/8"	Imperial

DANPST28M

Branch Tee Connector NPSM Swivel Female 60° – NPTF Male 60°

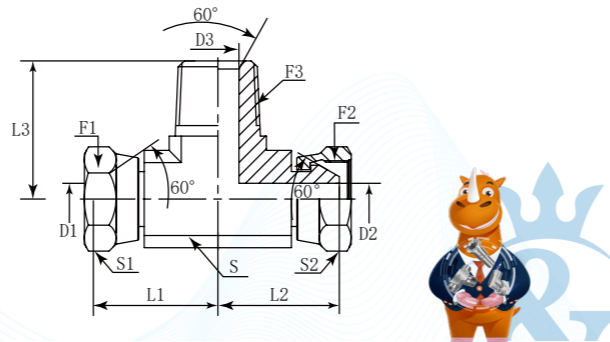
D	A	NPS	T	28	M
Company	Product Range	Thread Types	Adaptor Structure	Thread Types	Connection Type
DME	Adaptor	NPSM	Branch Tee	NPTF	Male

German Technology Equipment

SHIELD FLEX

New-Standard

- DME&JDE Code: **DANPST28M**
- Product Type: **Hydraulic Adaptor**
- Standard: **NPTF**
- Structure: **Branch Tee**
- Connection Type: **Swivel Female × Swivel Female × Female**
- Thread Types: **NPSM × NPSM × NPTF**



PART NUMBER	F1 (Thread)	F2 (Thread)	F3 (Thread)	L1	L2	L3	D1	D2	D3	S	S1	S2	Hex
#	NPSM	NPSM	NPTF	mm	mm	mm	mm	mm	mm	-	-	-	-
DANPST28M-0202	1/8"-27	1/8"-27	1/8"-27	17.80	17.80	18.30	2.79	2.79	4.78	11 mm	14 mm	14 mm	Metric
DANPST28M-0202IN	1/8"-27	1/8"-27	1/8"-27	17.80	17.80	18.30	2.79	2.79	4.78	7/16"	9/16"	9/16"	Imperial
DANPST28M-0404	1/4"-18	1/4"-18	1/4"-18	22.35	22.35	27.70	5.33	5.33	7.14	14 mm	19 mm	19 mm	Metric
DANPST28M-0406	1/4"-18	1/4"-18	3/8"-18	24.00	24.00	31.00	5.33	5.33	10.31	19 mm	19 mm	19 mm	Metric
DANPST28M-0408	1/4"-18	1/4"-18	1/2"-14	24.30	24.30	37.30	5.33	5.33	13.49	22 mm	19 mm	19 mm	Metric
DANPST28M-0404IN	1/4"-18	1/4"-18	1/4"-18	22.35	22.35	27.70	5.33	5.33	7.14	9/16"	11/16"	11/16"	Imperial
DANPST28M-0406IN	1/4"-18	1/4"-18	3/8"-18	24.00	24.00	31.00	5.33	5.33	10.31	3/4"	11/16"	11/16"	Imperial
DANPST28M-0408IN	1/4"-18	1/4"-18	1/2"-14	24.30	24.30	37.30	5.33	5.33	13.49	7/8"	11/16"	11/16"	Imperial
DANPST28M-0604	3/8"-18	3/8"-18	1/4"-18	25.00	25.00	31.00	8.13	8.13	7.14	19 mm	22 mm	22 mm	Metric
DANPST28M-0606	3/8"-18	3/8"-18	3/8"-18	22.60	22.60	31.00	8.13	8.13	10.31	19 mm	22 mm	22 mm	Metric
DANPST28M-0608	3/8"-18	3/8"-18	1/2"-14	26.41	26.41	37.30	8.13	8.13	13.49	22 mm	22 mm	22 mm	Metric
DANPST28M-0604IN	3/8"-18	3/8"-18	1/4"-18	25.00	25.00	31.00	8.13	8.13	7.14	3/4"	7/8"	7/8"	Imperial
DANPST28M-0606IN	3/8"-18	3/8"-18	3/8"-18	22.60	22.60	31.00	8.13	8.13	10.31	3/4"	7/8"	7/8"	Imperial
DANPST28M-0608IN	3/8"-18	3/8"-18	1/2"-14	26.41	26.41	37.30	8.13	8.13	13.49	7/8"	7/8"	7/8"	Imperial
DANPST28M-0806	1/2"-14	1/2"-14	3/8"-18	28.19	28.19	37.30	11.18	11.18	10.31	22 mm	27 mm	27 mm	Metric
DANPST28M-0808	1/2"-14	1/2"-14	1/2"-14	28.20	28.20	37.30	11.18	11.18	13.49	22 mm	27 mm	27 mm	Metric
DANPST28M-0812	1/2"-14	1/2"-14	3/4"-14	33.78	33.78	40.40	11.18	11.18	18.26	27 mm	27 mm	27 mm	Metric
DANPST28M-0806IN	1/2"-14	1/2"-14	3/8"-18	28.19	28.19	37.30	11.18	11.18	10.31	7/8"	1"	1"	Imperial
DANPST28M-0808IN	1/2"-14	1/2"-14	1/2"-14	28.20	28.20	37.30	11.18	11.18	13.49	7/8"	1"	1"	Imperial
DANPST28M-0812IN	1/2"-14	1/2"-14	3/4"-14	33.78	33.78	40.40	11.18	11.18	18.26	1-1/16"	1"	1"	Imperial
DANPST28M-1212	3/4"-14	3/4"-14	3/4"-14	33.00	33.00	40.40	15.49	15.49	18.26	27 mm	32 mm	32 mm	Metric
DANPST28M-1216	3/4"-14	3/4"-14	1"-11-1/2	36.30	36.30	50.00	15.49	15.49	23.83	33 mm	32 mm	32 mm	Metric
DANPST28M-1212IN	3/4"-14	3/4"-14	3/4"-14	33.00	33.00	40.40	15.49	15.49	18.26	1-1/16"	1-1/4"	1-1/4"	Imperial
DANPST28M-1216IN	3/4"-14	3/4"-14	1"-11-1/2	36.30	36.30	50.00	15.49	15.49	23.83	1-5/16"	1-1/4"	1-1/4"	Imperial
DANPST28M-1612	1"-11-1/2	1"-11-1/2	3/4"-14	39.62	39.62	50.00	19.81	19.81	18.26	33 mm	41 mm	41 mm	Metric
DANPST28M-1616	1"-11-1/2	1"-11-1/2	1"-11-1/2	39.12	39.12	50.00	19.81	19.81	23.83	33 mm	41 mm	41 mm	Metric
DANPST28M-1612IN	1"-11-1/2	1"-11-1/2	3/4"-14	39.62	39.62	50.00	19.81	19.81	18.26	1-5/16"	1-1/2"	1-1/2"	Imperial
DANPST28M-1616IN	1"-11-1/2	1"-11-1/2	1"-11-1/2	39.12	39.12	50.00	19.81	19.81	23.83	1-5/16"	1-1/2"	1-1/2"	Imperial
DANPST28M-2020	1-1/4"-11-1/2	1-1/4"-11-1/2	1-1/4"-11-1/2	43.90	43.90	60.50	25.65	25.65	31.75	41 mm	50 mm	50 mm	Metric
DANPST28M-2020IN	1-1/4"-11-1/2	1-1/4"-11-1/2	1-1/4"-11-1/2	43.90	43.90	60.50	25.65	25.65	31.75	1-5/8"	1-7/8"	1-7/8"	Imperial
DANPST28M-2424	1-1/2"-11-1/2	1-1/2"-11-1/2	1-1/2"-11-1/2	48.01	48.01	67.10	31.75	31.75	38.10	50 mm	55 mm	55 mm	Metric
DANPST28M-2424IN	1-1/2"-11-1/2	1-1/2"-11-1/2	1-1/2"-11-1/2	48.01	48.01	67.10	31.75	31.75	38.10	1-7/8"	2-1/8"	2-1/8"	Imperial

DANPML25M

Run Tee Connector NPTF Male 60° – JIC Male 74°

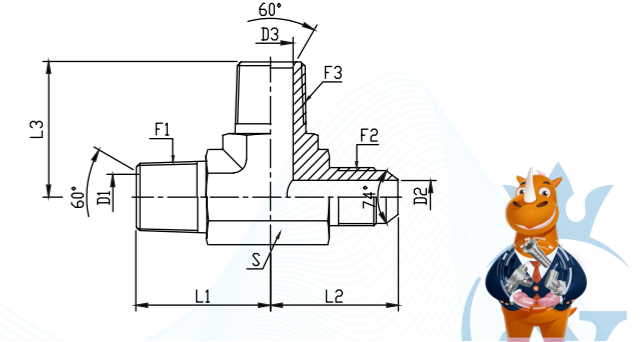
D	A	NP	M	L	25	M
Company	Product Range	Thread Types	Connection Type	Adaptor Structure	Thread Types	Connection Type
DME	Adaptor	NPTF	Male	Run Tee	JIC UNF	Male

German Technology Equipment

SHIELD FLEX

New-Standard

- DME&JDE Code: **DANPML25M**
- Product Type: **Hydraulic Adaptor**
- Standard: **NPTF**
- Structure: **Run Tee**
- Connection Type: **Male × Male × Male**
- Thread Types: **NPTF × UNF × NPTF**



PART NUMBER	F1 (Thread)	F2 (Thread)	F3 (Thread)	D1	D2	D3	L1	L2	L3	S	Hex
#	NPTF	UNF	NPTF	mm	mm	mm	mm	mm	mm	-	-
DANPML25M-0204	1/8"-27	7/16"-20	1/8"-27	4.78	4.37	4.78	19.80	22.60	19.80	11 mm	Metric
DANPML25M-0204IN	1/8"-27	7/16"-20	1/8"-27	4.78	4.37	4.78	19.80	22.60	19.80	7/16"	Imperial
DANPML25M-0406	1/4"-18	9/16"-18	1/4"-18	7.14	7.54	7.14	27.70	26.90	27.70	14 mm	Metric
DANPML25M-0406IN	1/4"-18	9/16"-18	1/4"-18	7.14	7.54	7.14	27.70	26.90	27.70	9/16"	Imperial
DANPML25M-0606	3/8"-18	9/16"-18	3/8"-18	10.31	7.54	10.31	31.00	28.96	31.00	19 mm	Metric
DANPML25M-0608	3/8"-18	3/4"-16	3/8"-18	10.31	9.93	10.31	31.00	31.80	31.00	19 mm	Metric
DANPML25M-0606IN	3/8"-18	9/16"-18	3/8"-18	10.31	7.54	10.31	31.00	28.96	31.00	3/4"	Imperial
DANPML25M-0608IN	3/8"-18	3/4"-16	3/8"-18	10.31	9.93	10.31	31.00	31.80	31.00	3/4"	Imperial
DANPML25M-0808	1/2"-14	3/4"-16	1/2"-14	13.49	9.93	13.49	37.30	31.80	37.30	22 mm	Metric
DANPML25M-0810	1/2"-14	7/8"-14	1/2"-14	13.49	12.29	13.49	37.30	36.80	37.30	22 mm	Metric
DANPML25M-0808IN	1/2"-14	3/4"-16	1/2"-14	13.49	9.93	13.49	37.30	31.80	37.30	7/8"	Imperial
DANPML25M-0810IN	1/2"-14	7/8"-14	1/2"-14	13.49	12.29	13.49	37.30	36.80	37.30	7/8"	Imperial
DANPML25M-1212	3/4"-14	1-1/16"-12	3/4"-14	18.26	15.47	18.26	40.39	42.16	40.39	27 mm	Metric
DANPML25M-1212IN	3/4"-14	1-1/16"-12	3/4"-14	18.26	15.47	18.26	40.39	42.16	40.39	1-1/8"	Imperial
DANPML25M-1616	1"-11-1/2	1-5/16"-12	1"-11-1/2	23.83	21.44	23.83	50.04	45.97	50.04	33 mm	Metric
DANPML25M-1616IN	1"-11-1/2	1-5/16"-12	1"-11-1/2	23.83	21.44	23.83	50.04	45.97	50.04	1-5/16"	Imperial
DANPML25M-2020	1-1/4"-11-1/2	1-5/8"-12	1-1/4"-11-1/2	31.75	27.38	31.75	60.45	52.32	60.45	41 mm	Metric
DANPML25M-2020IN	1-1/4"-11-1/2	1-5/8"-12	1-1/4"-11-1/2	31.75	27.38	31.75	60.45	52.32	60.45	1-1/2"	Imperial
DANPML25M-2424	1-1/2"-11-1/2	1-7/8"-12	1-1/2"-11-1/2	38.10	33.32	38.10	67.10	59.20	67.10	48 mm	Metric
DANPML25M-2424IN	1-1/2"-11-1/2	1-7/8"-12	1-1/2"-11-1/2	38.10	33.32	38.10	67.10	59.20	67.10	1-7/8"	Imperial

DANPFL25M

Run Tee Connector NPTF Female – JIC Male 74°

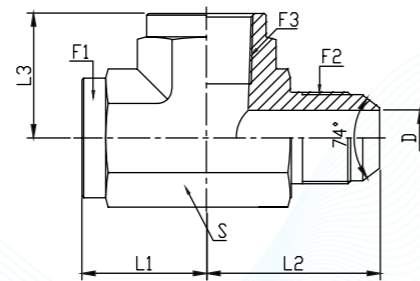
D	A	NP	F	L	25	M
Company	Product Range	Thread Types	Connection Type	Adaptor Structure	Thread Types	Connection Type
DME	Adaptor	NPTF	Female	Run Tee	JIC UNF	Male

German Technology Equipment

SHIELD FLEX

New-Standard

- DME&JDE Code: **DANPFL25M**
- Product Type: **Hydraulic Adaptor**
- Standard: **NPTF**
- Structure: **Run Tee**
- Connection Type: **Male x Female x Female**
- Thread Types: **NPTF x UNF x NPTF**



PART NUMBER	F1 (Thread)	F2 (Thread)	F3 (Thread)	D	L1	L2	L3	S	Hex
#	NPTF	UNF	NPTF	mm	mm	mm	mm	-	-
DANPFL25M-0204	1/8"-28	7/16"-20	1/8"-28	4.37	16.80	27.40	16.80	14 mm	Metric
DANPFL25M-0204IN	1/8"-28	7/16"-20	1/8"-28	4.37	16.80	27.40	16.80	9/16"	Imperial
DANPFL25M-0404	1/4"-18	7/16"-20	1/4"-18	4.37	22.35	31.00	22.35	19 mm	Metric
DANPFL25M-0406	1/4"-18	9/16"-18	1/4"-18	7.54	22.40	31.20	22.40	19 mm	Metric
DANPFL25M-0404IN	1/4"-18	7/16"-20	1/4"-18	4.37	22.35	31.00	22.35	3/4"	Imperial
DANPFL25M-0406IN	1/4"-18	9/16"-18	1/4"-18	7.54	22.40	31.20	22.40	3/4"	Imperial
DANPFL25M-0608	3/8"-18	3/4"-16	3/8"-18	9.93	25.90	36.10	25.90	22 mm	Metric
DANPFL25M-0608IN	3/8"-18	3/4"-16	3/8"-18	9.93	25.90	36.10	25.90	7/8"	Imperial
DANPFL25M-0808	1/2"-14	3/4"-16	1/2"-14	9.93	31.24	38.61	31.24	27 mm	Metric
DANPFL25M-0810	1/2"-14	7/8"-14	1/2"-14	12.29	31.20	41.70	31.20	27 mm	Metric
DANPFL25M-0808IN	1/2"-14	3/4"-16	1/2"-14	9.93	31.24	38.61	31.24	1-1/8"	Imperial
DANPFL25M-0810IN	1/2"-14	7/8"-14	1/2"-14	12.29	31.20	41.70	31.20	1-1/8"	Imperial
DANPFL25M-1212	3/4"-14	1-1/16"-12	3/4"-14	15.47	34.50	48.00	34.50	33 mm	Metric
DANPFL25M-1212IN	3/4"-14	1-1/16"-12	3/4"-14	15.47	34.50	48.00	34.50	1-5/16"	Imperial
DANPFL25M-1616	1"-11-1/2	1-5/16"-12	1"-11-1/2	21.44	41.15	55.12	41.15	41 mm	Metric
DANPFL25M-1616IN	1"-11-1/2	1-5/16"-12	1"-11-1/2	21.44	41.15	55.12	41.15	1-1/2"	Imperial
DANPFL25M-2020	1-1/4"-11-1/2	1-5/8"-12	1-1/4"-11-1/2	27.38	43.20	59.20	43.20	48 mm	Metric
DANPFL25M-2020IN	1-1/4"-11-1/2	1-5/8"-12	1-1/4"-11-1/2	27.38	43.20	59.20	43.20	1-7/8"	Imperial
DANPFL25M-2424	1-1/2"-11-1/2	1-7/8"-12	1-1/2"-11-1/2	33.32	52.80	73.40	52.80	65 mm	Metric
DANPFL25M-2424IN	1-1/2"-11-1/2	1-7/8"-12	1-1/2"-11-1/2	33.32	52.80	73.40	52.80	2-5/8"	Imperial

DANPFL28M

Run Tee Connector NPTF Female – NPTF Male 60°

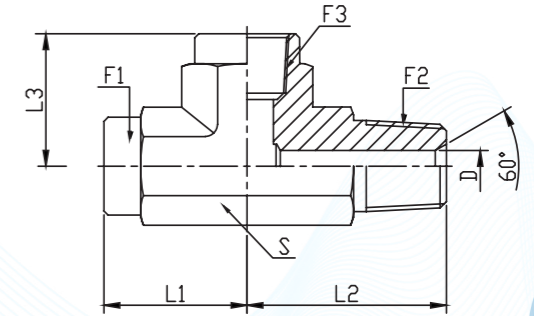
D	A	NP	F	L	28	M
Company	Product Range	Thread Types	Connection Type	Adaptor Structure	Thread Types	Connection Type
DME	Adaptor	NPTF	Female	Run Tee	NPTF	Male

German Technology Equipment

SHIELD FLEX

New-Standard

- DME&JDE Code: **DANPFL28M**
- Product Type: **Hydraulic Adaptor**
- Standard: **NPTF**
- Structure: **Run Tee**
- Connection Type: **Female x Male x Male**
- Thread Types: **NPTF x NPTF x NPTF**



PART NUMBER	F1 (Thread)	F2 (Thread)	F3 (Thread)	L2	L1	L3	D	S	Hex
#	NPTF	NPTF	NPTF	mm	mm	mm	mm	-	-
DANPFL28M-0202	1/8"-27	1/8"-27	1/8"-27	19.80	16.80	16.80	4.78	14 mm	Metric
DANPFL28M-0204	1/4"-18	1/8"-27	1/4"-18	22.86	22.35	22.35	4.78	19 mm	Metric
DANPFL28M-0202IN	1/8"-27	1/8"-27	1/8"-27	19.80	16.80	16.80	4.78	9/16"	Imperial
DANPFL28M-0204IN	1/4"-18	1/8"-27	1/4"-18	22.86	22.35	22.35	4.78	3/4"	Imperial
DANPFL28M-0404	1/4"-18	1/4"-18	1/4"-18	27.69	22.35	22.35	7.14	19 mm	Metric
DANPFL28M-0404IN	1/4"-18	1/4"-18	1/4"-18	27.69	22.35	22.35	7.14	3/4"	Imperial
DANPFL28M-0606	3/8"-18	3/8"-18	3/8"-18	30.99	25.91	25.91	10.31	22 mm	Metric
DANPFL28M-0606IN	3/8"-18	3/8"-18	3/8"-18	30.99	25.91	25.91	10.31	7/8"	Imperial
DANPFL28M-0808	1/2"-14	1/2"-14	1/2"-14	37.34	31.24	31.24	13.49	27 mm	Metric
DANPFL28M-0808IN	1/2"-14	1/2"-14	1/2"-14	37.34	31.24	31.24	13.49	1-1/16"	Imperial
DANPFL28M-1212	3/4"-14	3/4"-14	3/4"-14	40.39	34.54	34.54	18.26	33 mm	Metric
DANPFL28M-1212IN	3/4"-14	3/4"-14	3/4"-14	40.39	34.54	34.54	18.26	1-5/16"	Imperial
DANPFL28M-1616	1"-11-1/2	1"-11-1/2	1"-11-1/2	50.00	41.20	41.20	23.83	41 mm	Metric
DANPFL28M-1616IN	1"-11-1/2	1"-11-1/2	1"-11-1/2	50.00	41.20	41.20	23.83	1-5/8"	Imperial
DANPFL28M-2020	1-1/4"-11-1/2	1-1/4"-11-1/2	1-1/4"-11-1/2	60.50	43.20	43.20	31.75	50 mm	Metric
DANPFL28M-2020IN	1-1/4"-11-1/2	1-1/4"-11-1/2	1-1/4"-11-1/2	60.50	43.20	43.20	31.75	1-7/8"	Imperial
DANPFL28M-2424	1-1/2"-11-1/2	1-1/2"-11-1/2	1-1/2"-11-1/2	67.10	52.80	52.80	38.10	65 mm	Metric
DANPFL28M-2424IN	1-1/2"-11-1/2	1-1/2"-11-1/2	1-1/2"-11-1/2	67.10	52.80	52.80	38.10	2-9/16"	Imperial
DANPFL28M-3232	2"-11-1/2	2"-11-1/2	2"-11-1/2	76.20	60.70	60.70	49.23	70 mm	Metric
DANPFL28M-3232IN	2"-11-1/2	2"-11-1/2	2"-11-1/2	76.20	60.70	60.70	49.23	2-13/16"	Imperial



DANPML28F

Run Tee Connector NPTF Male 60° – NPTF Female

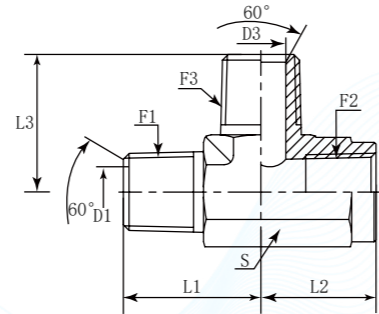
D	A	NP	M	L	28	F
Company	Product Range	Thread Types	Connection Type	Adaptor Structure	Thread Types	Connection Type
DME	Adaptor	NPTF	Male	Run Tee	NPTF	Female

German Technology Equipment

SHIELD FLEX

New-Standard

- DME&JDE Code:** DANPML28F
- Product Type:** Hydraulic Adaptor
- Standard:** NPTF
- Structure:** Run Tee
- Connection Type:** Male x Female x Male
- Thread Types:** NPTF x NPTF x NPTF



PART NUMBER	F1 (Thread)	F2 (Thread)	F3 (Thread)	L1	L2	L3	D1	D3	S	Hex
#	NPTF	NPTF	NPTF	mm	mm	mm	mm	mm	-	-
DANPML28F-0202	1/8"-27	1/8"-27	1/8"-27	19.80	16.80	19.80	4.78	4.78	14 mm	Metric
DANPML28F-0202IN	1/8"-27	1/8"-27	1/8"-27	19.80	16.80	19.80	4.78	4.78	9/16"	Imperial
DANPML28F-0404	1/4"-18	1/4"-18	1/4"-18	27.70	22.40	27.70	7.14	7.14	19 mm	Metric
DANPML28F-0404IN	1/4"-18	1/4"-18	1/4"-18	27.70	22.40	27.70	7.14	7.14	3/4"	Imperial
DANPML28F-0606	3/8"-18	3/8"-18	3/8"-18	31.00	25.90	31.00	10.31	10.31	22 mm	Metric
DANPML28F-0606IN	3/8"-18	3/8"-18	3/8"-18	31.00	25.90	31.00	10.31	10.31	7/8"	Imperial
DANPML28F-0808	1/2"-14	1/2"-14	1/2"-14	37.30	31.20	37.30	13.49	13.49	27 mm	Metric
DANPML28F-0808IN	1/2"-14	1/2"-14	1/2"-14	37.30	31.20	37.30	13.49	13.49	1-1/16"	Imperial
DANPML28F-1212	3/4"-14	3/4"-14	3/4"-14	40.40	34.50	40.40	18.26	18.26	33 mm	Metric
DANPML28F-1212IN	3/4"-14	3/4"-14	3/4"-14	40.40	34.50	40.40	18.26	18.26	1-5/16"	Imperial
DANPML28F-1616	1"-11-1/2	1"-11-1/2	1"-11-1/2	50.00	41.20	50.00	23.83	23.83	41 mm	Metric
DANPML28F-1616IN	1"-11-1/2	1"-11-1/2	1"-11-1/2	50.00	41.20	50.00	23.83	23.83	1-5/8"	Imperial
DANPML28F-2020	1-1/4"-11-1/2	1-1/4"-11-1/2	1-1/4"-11-1/2	60.50	43.20	60.50	31.75	31.75	50 mm	Metric
DANPML28F-2020IN	1-1/4"-11-1/2	1-1/4"-11-1/2	1-1/4"-11-1/2	60.50	43.20	60.50	31.75	31.75	1-7/8"	Imperial
DANPML28F-2424	1-1/2"-11-1/2	1-1/2"-11-1/2	1-1/2"-11-1/2	67.10	52.80	67.10	38.10	38.10	65 mm	Metric
DANPML28F-2424IN	1-1/2"-11-1/2	1-1/2"-11-1/2	1-1/2"-11-1/2	67.10	52.80	67.10	38.10	38.10	2-9/16"	Imperial
DANPML28F-3232	2"-11-1/2	2"-11-1/2	2"-11-1/2	76.20	60.70	76.20	49.23	49.23	70 mm	Metric
DANPML28F-3232IN	2"-11-1/2	2"-11-1/2	2"-11-1/2	76.20	60.70	76.20	49.23	49.23	2-13/16"	Imperial

DANPFX28F

Cross Connector NPTF Female

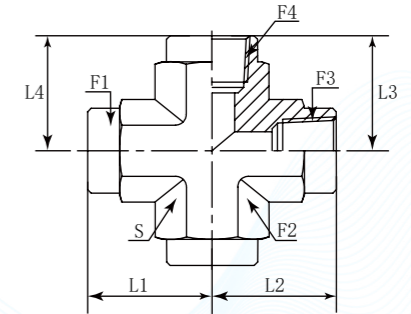
D	A	NP	F	X	28	F
Company	Product Range	Thread Types	Connection Type	Adaptor Structure	Thread Types	Connection Type
DME	Adaptor	NPTF	Female	Cross	NPTF	Female

German Technology Equipment

SHIELD FLEX

New-Standard

- DME&JDE Code:** DANPFX28F
- Product Type:** Hydraulic Adaptor
- Standard:** NPTF
- Structure:** Cross
- Connection Type:** Female x Female x Female x Female
- Thread Types:** NPTF x NPTF x NPTF x NPTF



PART NUMBER	F1 (Thread)	F2 (Thread)	F3 (Thread)	F4 (Thread)	L1	L2	L3	L4	S	Hex
#	NPTF	NPTF	NPTF	NPTF	mm	mm	mm	mm	-	-
DANPFX28F-0202	1/8"-27	1/8"-27	1/8"-27	1/8"-27	16.80	16.80	16.80	16.80	14 mm	Metric
DANPFX28F-0202IN	1/8"-27	1/8"-27	1/8"-27	1/8"-27	16.80	16.80	16.80	16.80	9/16"	Imperial
DANPFX28F-0404	1/4"-18	1/4"-18	1/4"-18	1/4"-18	22.40	22.40	22.40	22.40	19 mm	Metric
DANPFX28F-0404IN	1/4"-18	1/4"-18	1/4"-18	1/4"-18	22.40	22.40	22.40	22.40	3/4"	Imperial
DANPFX28F-0606	3/8"-18	3/8"-18	3/8"-18	3/8"-18	25.90	25.90	25.90	25.90	22 mm	Metric
DANPFX28F-0606IN	3/8"-18	3/8"-18	3/8"-18	3/8"-18	25.90	25.90	25.90	25.90	7/8"	Imperial
DANPFX28F-0808	1/2"-14	1/2"-14	1/2"-14	1/2"-14	31.20	31.20	31.20	31.20	27 mm	Metric
DANPFX28F-0808IN	1/2"-14	1/2"-14	1/2"-14	1/2"-14	31.20	31.20	31.20	31.20	1-1/16"	Imperial
DANPFX28F-1212	3/4"-14	3/4"-14	3/4"-14	3/4"-14	34.50	34.50	34.50	34.50	33 mm	Metric
DANPFX28F-1212IN	3/4"-14	3/4"-14	3/4"-14	3/4"-14	34.50	34.50	34.50	34.50	1-5/16"	Imperial
DANPFX28F-1616	1"-11-1/2	1"-11-1/2	1"-11-1/2	1"-11-1/2	41.20	41.20	41.20	41.20	41 mm	Metric
DANPFX28F-1616IN	1"-11-1/2	1"-11-1/2	1"-11-1/2	1"-11-1/2	41.20	41.20	41.20	41.20	1-5/8"	Imperial
DANPFX28F-2020	1-1/4"-11-1/2	1-1/4"-11-1/2	1-1/4"-11-1/2	1-1/4"-11-1/2	43.20	43.20	43.20	43.20	48 mm	Metric
DANPFX28F-2020IN	1-1/4"-11-1/2	1-1/4"-11-1/2	1-1/4"-11-1/2	1-1/4"-11-1/2	43.20	43.20	43.20	43.20	1-7/8"	Imperial
DANPFX28F-2424	1-1/2"-11-1/2	1-1/2"-11-1/2	1-1/2"-11-1/2	1-1/2"-11-1/2	52.80	52.80	52.80	52.80	65 mm	Metric
DANPFX28F-2424IN	1-1/2"-11-1/2	1-1/2"-11-1/2	1-1/2"-11-1/2	1-1/2"-11-1/2	52.80	52.80	52.80	52.80	2-9/16"	Imperial
DANPFX28F-3232	2"-11-1/2	2"-11-1/2	2"-11-1/2	2"-11-1/2	60.70	60.70	60.70	60.70	71 mm	Metric
DANPFX28F-3232IN	2"-11-1/2	2"-11-1/2	2"-11-1/2	2"-11-1/2	60.70	60.70	60.70	60.70	2-13/16"	Imperial





Hydraulic Adaptors

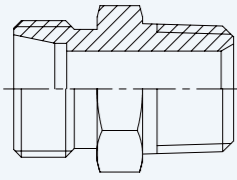
DIN 2353 >>



<p>DU P567</p> <p>Straight Connector</p>	<p>DU-LH P568</p> <p>Straight Connector Large Hexagon</p>	<p>DL P569</p> <p>Connector 90° Elbow</p>	<p>DUR P570</p> <p>Straight Connector</p>
<p>DUR-LH P571</p> <p>Reducing Straight Connector Large Hexagon</p>	<p>DT P572</p> <p>Connector Tee</p>	<p>DC P573</p> <p>Connector Cross</p>	<p>DTR P574</p> <p>Reducing Tee</p>
<p>DBU P576</p> <p>Bulkhead Connector</p>	<p>DBL P577</p> <p>Bulkhead Connector Elbow</p>	<p>DOM-U P578</p> <p>Male Connector (JIC Male) with O Ring</p>	<p>DOM-M P580</p> <p>DIN2353 Male Connector Metric Male with O Ring</p>
<p>DMC-G P581</p> <p>Bulkhead Connector</p>	<p>DMC-G-60 P583</p> <p>Male Connector (BSPP Male) with 60° Cone Seal</p>	<p>DMC-R P584</p> <p>Male Connector (BSPT 60° Male) with Form C Stud End</p>	<p>DMC-M P586</p> <p>Metric Male Connector with Cutting Face</p>

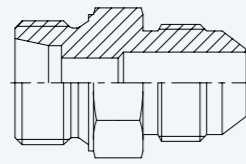


DMC-N
P587



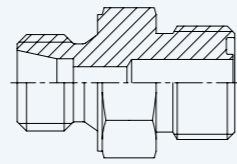
Male Connector (NPTF 60° Male) with Form C Stud End

DMC-JC
P589



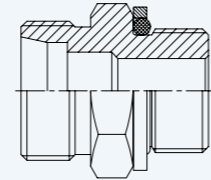
Male Connector (JIC male)

DMC-FS
P591



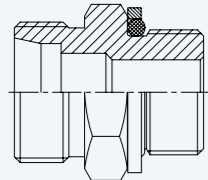
DIN2353 Male Connector DRFS Male

DMC-GQ
P592



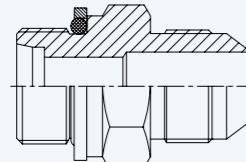
DIN 2353 Male Connector (BSPP Male) with O Ring and Retaining Ring

DMC-MQ
P593



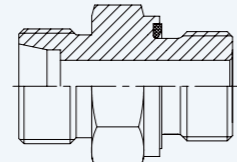
DIN 2353 Male Connector Metric Male with O Ring and Retaining Ring

DMCQ-JC
P594



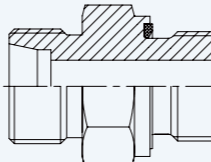
DIN 2353 Male Connector O Ring and Retaining Ring (JIC male)

DMC-GED
P596



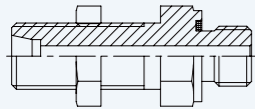
Male Connector (BSPP Male) with ED Ring

DMC-MED
P598



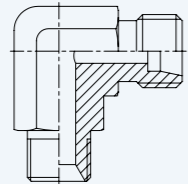
Metric Male Connector with ED Ring

DBMC-GED
P600



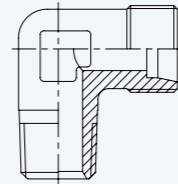
Male Bulkhead Connector (BSPP) with ED Ring

DLM-G
P601



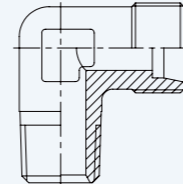
DIN 2353 90° Elbow BSPP Male

DLM-R
P602



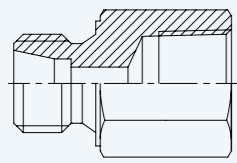
90° Elbow BSPT Male

DLM-N
P603



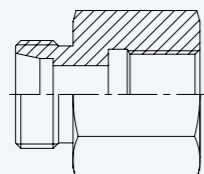
90° Elbow NPTF Male

DFC-N
P604



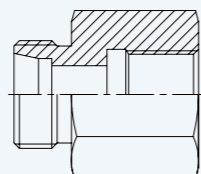
Female Connector NPTF Female

DFC-G
P605



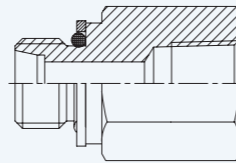
Female Connector BSPP Female

DFC-M
P606



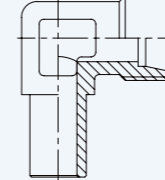
Female Connector Metric Female

DQFC-N
P607



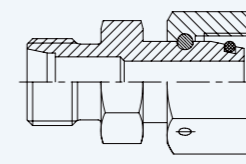
Male Connector (NPTF Male) with Form X Tapped Holes

DLA
P608



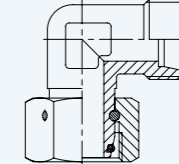
Adjustable 90° Elbow with Standard Pipe

DED
P609



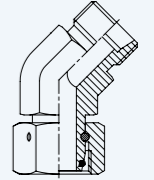
Swivel Female Connector with 24° Cone

DEW
P610



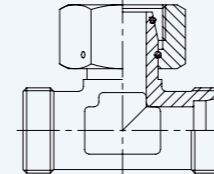
Swivel Adjustable 90° Elbow With 24° Cone

DEV
P611



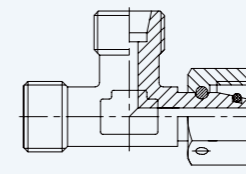
DIN 2353 Adjustable 45° Male Stud Elbow

DET
P612



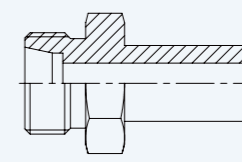
Swivel Adjustable Branch Tee with 24° Cone

DEL
P613



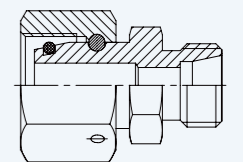
Swivel Adjustable Run Tee with 24° Cone

DR
P614



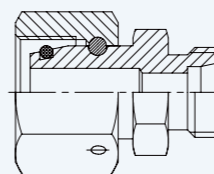
Reducer Straight Adapter Male 24° - Standpipe

DRED-L
P615



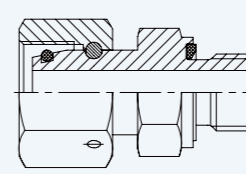
Swivel Reducing Connector with 24° Cone L Series

DRED-S
P616



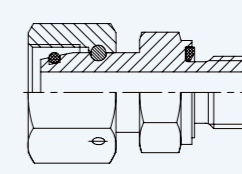
Swivel Reducing Connector with 24° Cone S Series

DEGE-G
P617



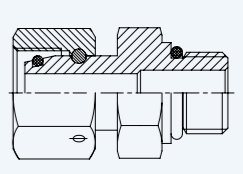
Swivel Female Connector (BSPP Male) with 24° Cone and ED Ring

DEGE-M
P618



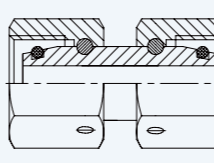
Swivel Female Connector (Metric Male) with 24° Cone and ED Ring

DEGE-U
P619



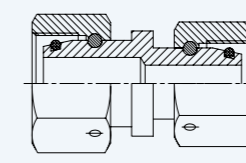
DIN 2353 Swivel Female Connector SAE MALE with O Ring

DUE
P620



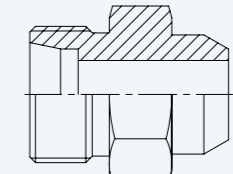
Swivel Female Connector with 24° Cone

DUER
P621



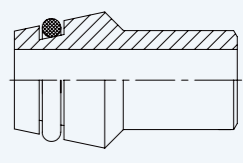
DIN 2353 Swivel Female Reducing Coupling with 24° Cone

DAS
P622



Welding Connector

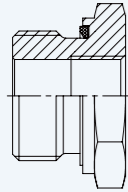
DAK
P623



Welding Nipple with O Ring

MFAD-ED

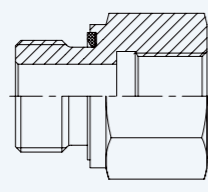
P624



Male Female Bushing Connector
BSPP with ED Ring

MFAE-ED

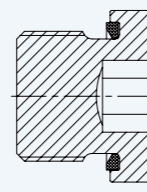
P625



Male Female Connector BSPP
with ED Ring

DVSTI-GED

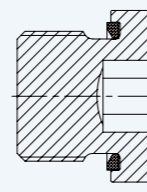
P626



Blanking Plug BSPP for Port with
ED Ring

DVSTI-MED

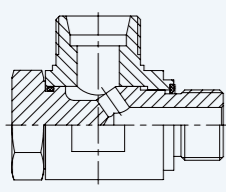
P627



Blanking Plug Metric for Port
with ED Ring

DSVW-G

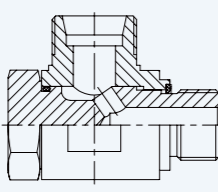
P628



Banjo Coupling BSPP with ED
Ring

DSVW-M

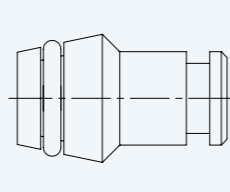
P629



Banjo Coupling Metric with ED
Ring

DVKA

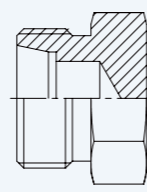
P630



Blank Plug with O Ring Port with
ED Ring

DCA

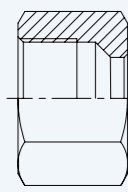
P631



Tube Cap

DN

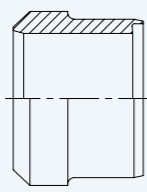
P632



Tube Nut

DS

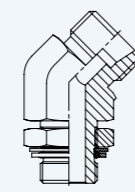
P633



Cutting Ring

DL4-GQ

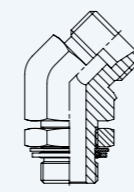
P634



DIN 2353 Adjustable Elbow 45° BSPP
Male O Ring and Retaining Ring

DL4-MQ

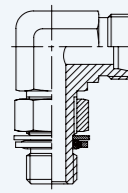
P635



DIN 2353 Adjustable Elbow 45° Metric
Male O Ring and Retaining Ring

DL-GQ

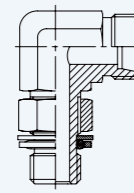
P636



Adjustable Elbow BSPP Male
ORB

DL-MQ

P637



Adjustable Elbow Metric Male
ORB

DLN

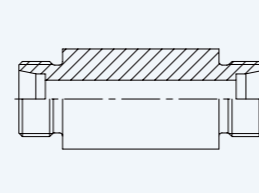
P638



Bulkhead Nut

DBUW

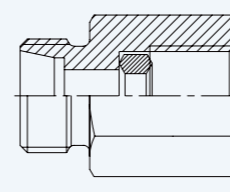
P639



Long Hexagon Metric Male

DGC

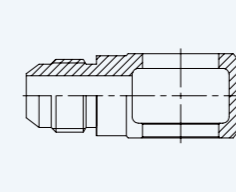
P640



Female Connector Metric
Female With DK1

MJ-BJBP

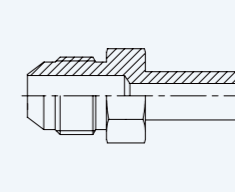
P641



Straight Connector JIC Male -
Banjo BSP

DA-J

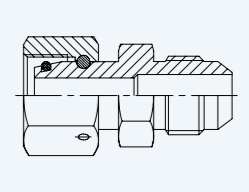
P642



Welding Elbows

DEGE-JC

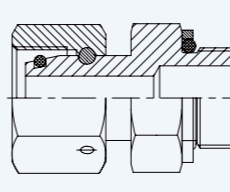
P643



Swivel Female Connector JIC
Male with 24° Cone

DEGE-GQ

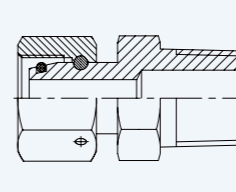
P644



Swivel Female Connector BSPP
Male with 24° Cone and O Ring
+ Retaining Ring

DEGE-N

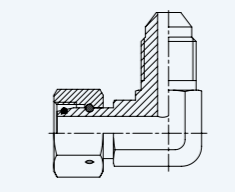
P645



Swivel Female Connector (NPTF
Male) with 24° Cone

DEWGE

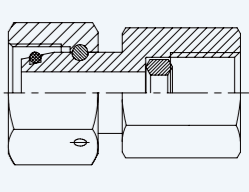
P646



DIN 2353 Swivel Adjustable
90° Elbow JIC Male

DGE

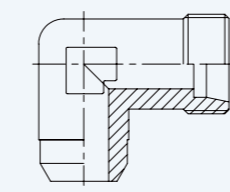
P647



Swivel Connector (Metric
Female) with 24° Cone and DK1

DLS

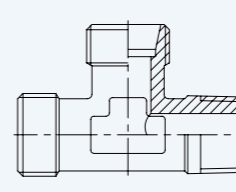
P648



Welding Elbows

DTLM

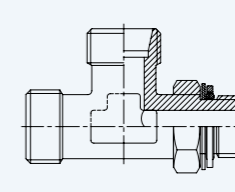
P649



Adjustable Run Tee with BSPT
Male

DTL-MQ

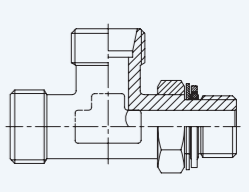
P650



DIN 2353 Adjustable Run Tee with
Metric Male O Ring and Retaining Ring

DTL-GQ

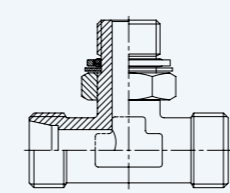
P651



DIN 2353 Adjustable Run Tee with BSPP
Male + O Ring + Retaining Ring

DTT-MQ

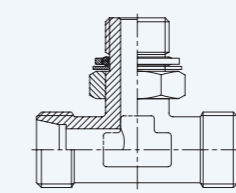
P652



DIN 2353 Adjustable Branch Tee
with Metric Male O Ring and
Retaining Ring

DTT-GQ

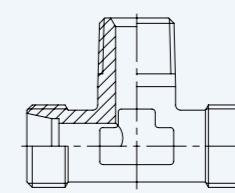
P653



DIN 2353 Adjustable Branch
Tee with BSPP Male + O Ring +
Retaining Ring

DTTM

P654



Adjustable Branch Tee with
BSPT Male

DU

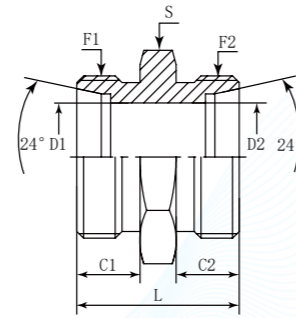
Straight Connector

German Technology Equipment

SHIELD FLEX

New-Standard

- DME&JDE Code: **DU**
- Product Type: **Hydraulic adaptor**
- Standard: **DIN 2353**
- Structure: **Straight**
- Thread Types: **Metric x Metric**



Filter the F1 Thread through selecting the -XX options

PART NUMBER	F1 (Thread)	F2 (Thread)	C1	C2	D1	D2	L	S
#	Metric	Metric	mm	mm	mm	mm	mm	mm
DU-06L	M12X1.5	M12X1.5	10.00	10.00	4.00	4.00	24.00	12.00
DU-06LL	M10X1	M10X1	8.00	8.00	4.50	4.50	20.00	11.00
DU-06S	M14X1.5	M14X1.5	12.00	12.00	4.00	4.00	30.00	14.00
DU-08L	M14X1.5	M14X1.5	10.00	10.00	6.00	6.00	25.00	14.00
DU-08LL	M12X1	M12X1	9.00	9.00	6.00	6.00	23.00	12.00
DU-08S	M16X1.5	M16X1.5	12.00	12.00	5.00	5.00	32.00	17.00
DU-10L	M16X1.5	M16X1.5	11.00	11.00	8.00	8.00	27.00	17.00
DU-10S	M18X1.5	M18X1.5	12.00	12.00	7.00	7.00	32.00	19.00
DU-12L	M18X1.5	M18X1.5	11.00	11.00	10.00	10.00	28.00	19.00
DU-12S	M20X1.5	M20X1.5	12.00	12.00	8.00	8.00	34.00	22.00
DU-14S	M22X1.5	M22X1.5	14.00	14.00	10.00	10.00	38.00	24.00
DU-15L	M22X1.5	M22X1.5	12.00	12.00	12.00	12.00	30.00	24.00
DU-16S	M24X1.5	M24X1.5	14.00	14.00	12.00	12.00	38.00	27.00
DU-18L	M26X1.5	M26X1.5	12.00	12.00	15.00	15.00	31.00	27.00
DU-20S	M30X2	M30X2	16.00	16.00	16.00	16.00	44.00	32.00
DU-22L	M30X2	M30X2	14.00	14.00	19.00	19.00	35.00	32.00
DU-25S	M36X2	M36X2	18.00	18.00	20.00	20.00	50.00	41.00
DU-28L	M36X2	M36X2	14.00	14.00	24.00	24.00	36.00	41.00
DU-30S	M42X2	M42X2	20.00	20.00	25.00	25.00	54.00	46.00
DU-38S	M52X2	M52X2	22.00	22.00	32.00	32.00	61.00	55.00

DU-LH

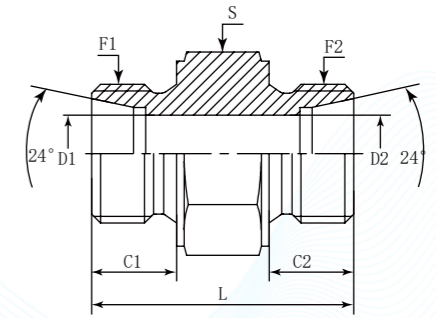
Straight Connector Large Hexagon

German Technology Equipment

SHIELD FLEX

New-Standard

- DME&JDE Code: **DU-LH**
- Product Type: **Hydraulic adaptor**
- Standard: **DIN 2353**
- Structure: **Straight**
- Thread Types: **Metric x Metric**
- Other Features: **Hexagon**



PART NUMBER	F1/F2 (Thread)	C1/C2	D1/D2	L	S
#	Metric	mm	mm	mm	mm
DU-LH-04LL	M8X1	8.00	8.00	24.00	12.00
DU-LH-06L	M12X1.5	10.00	4.00	30.00	17.00
DU-LH-08L	M14X1.5	10.00	6.00	30.00	19.00
DU-LH-10L	M16X1.5	11.00	8.00	32.00	22.00
DU-LH-12L	M18X1.5	11.00	10.00	34.00	24.00
DU-LH-12S	M20X1.5	12.00	8.00	36.50	27.00
DU-LH-15L	M22X1.5	12.00	12.00	37.00	27.00
DU-LH-16S	M24X1.5	14.00	12.00	40.00	30.00
DU-LH-18L	M26X1.5	12.00	15.00	39.00	32.00
DU-LH-22L	M30X2	14.00	19.00	42.00	36.00
DU-LH-25S	M36X2	18.00	20.00	53.00	46.00
DU-LH-28L	M36X2	14.00	24.00	44.50	46.00
DU-LH-30A	M30X1.5	14.00	19.00	44.00	36.00
DU-LH-30S	M42X2	20.00	25.00	56.00	50.00
DU-LH-35L	M45X2	16.00	30.00	52.00	55.00
DU-LH-M27	M27X2	12.00	15.00	39.00	32.00
DU-LH-M27A	M27X1.5	12.00	15.00	39.00	32.00

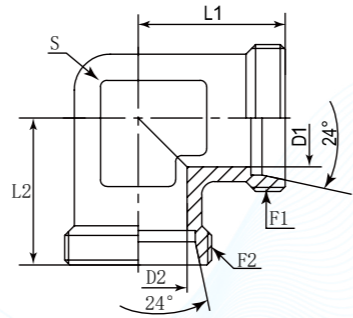


DL

Connector 90° Elbow



- DME&JDE Code: DL
- Product Type: Hydraulic adaptor
- Standard: DIN 2353
- Structure: 90° Elbow
- Thread Types: Metric x Metric



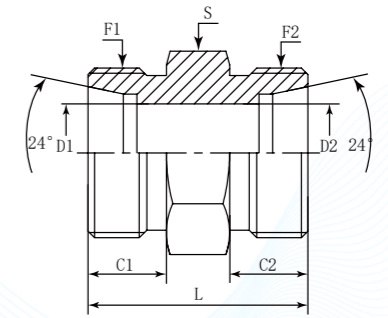
PART NUMBER	F1 (Thread)	F2 (Thread)	L1	L2	D1	D2	S
#	Metric	Metric	mm	mm	mm	mm	mm
DL-04LL	M8X1	M8X1	15.10	15.10	3.00	3.00	9.00
DL-06L	M12X1.5	M12X1.5	19.00	19.00	4.00	4.00	12.00
DL-06LL	M10X1	M10X1	15.00	15.00	4.50	4.50	9.00
DL-06S	M14X1.5	M14X1.5	23.00	23.00	4.00	4.00	12.00
DL-08L	M14X1.5	M14X1.5	21.00	21.00	6.00	6.00	12.00
DL-08LL	M12X1	M12X1	17.00	17.00	6.00	6.00	12.00
DL-08S	M16X1.5	M16X1.5	24.00	24.00	5.00	5.00	14.00
DL-10L	M16X1.5	M16X1.5	22.00	22.00	8.00	8.00	14.00
DL-10S	M18X1.5	M18X1.5	25.00	25.00	7.00	7.00	17.00
DL-12L	M18X1.5	M18X1.5	24.00	24.00	10.00	10.00	17.00
DL-12S	M20X1.5	M20X1.5	29.00	29.00	8.00	8.00	17.00
DL-14S	M22X1.5	M22X1.5	30.00	30.00	10.00	10.00	19.00
DL-15L	M22X1.5	M22X1.5	28.00	28.00	12.00	12.00	19.00
DL-16S	M24X1.5	M24X1.5	33.00	33.00	12.00	12.00	24.00
DL-18L	M26X1.5	M26X1.5	31.00	31.00	15.00	15.00	24.00
DL-20S	M30X2	M30X2	37.00	37.00	16.00	16.00	27.00
DL-22L	M30X2	M30X2	35.00	35.00	19.00	19.00	27.00
DL-25S	M36X2	M36X2	42.00	42.00	20.00	20.00	36.00
DL-28L	M36X2	M36X2	38.00	38.00	24.00	24.00	36.00
DL-30S	M42X2	M42X2	49.00	49.00	25.00	25.00	41.00
DL-35L	M45X2	M45X2	45.00	45.00	30.00	30.00	41.00
DL-38S	M52X2	M52X2	57.00	57.00	32.00	32.00	50.00
DL-42L	M52X2	M52X2	51.00	51.00	36.00	36.00	50.00

DUR

Straight Connector



- DME&JDE Code: DUR
- Product Type: Hydraulic adaptor
- Standard: DIN 2353
- Structure: Straight
- Thread Types: Metric x Metric



PART NUMBER	F1 (Thread)	F2 (Thread)	C	L	D1	D2	S	S1
#	Metric	Metric	mm	mm	mm	mm	mm	mm
DUR-08L-06L	M14X1.5	M12X1.5	10.00	10.00	6.00	4.00	25.00	14.00
DUR-10L-06L	M16X1.5	M12X1.5	11.00	10.00	8.00	4.00	26.00	17.00
DUR-10L-08L	M16X1.5	M14X1.5	11.00	10.00	6.00	6.00	26.00	17.00
DUR-12L-06L	M18X1.5	M12X1.5	11.00	10.00	10.00	4.00	27.00	19.00
DUR-12L-08L	M18X1.5	M14X1.5	11.00	10.00	10.00	6.00	27.00	19.00
DUR-12L-10L	M18X1.5	M16X1.5	11.00	11.00	8.00	8.00	28.00	19.00
DUR-12S-08S	M20X1.5	M16X1.5	12.00	12.00	8.00	5.00	34.00	22.00
DUR-12S-10S	M20X1.5	M18X1.5	12.00	12.00	7.00	7.00	34.00	24.00
DUR-12S-12L	M20X1.5	M18X1.5	12.00	11.00	8.00	10.00	33.00	22.00
DUR-14S-10S	M22X1.5	M18X1.5	14.00	12.00	10.00	7.00	36.00	24.00
DUR-14S-12S	M22X1.5	M20X1.5	14.00	12.00	8.00	8.00	36.00	24.00
DUR-15L-08L	M22X1.5	M14X1.5	12.00	10.00	12.00	6.00	28.00	24.00
DUR-15L-10L	M22X1.5	M16X1.5	12.00	11.00	12.00	8.00	29.00	24.00
DUR-15L-12L	M22X1.5	M18X1.5	12.00	11.00	12.00	10.00	29.00	24.00
DUR-16S-12S	M24X1.5	M20X1.5	14.00	12.00	12.00	8.00	36.00	27.00
DUR-16S-14S	M24X1.5	M22X1.5	14.00	14.00	12.00	10.00	38.00	27.00
DUR-16S-15L	M24X1.5	M22X1.5	14.00	12.00	12.00	12.00	36.00	27.00
DUR-18L-10L	M26X1.5	M16X1.5	12.00	11.00	15.00	8.00	30.00	27.00
DUR-18L-12L	M26X1.5	M18X1.5	12.00	11.00	15.00	10.00	30.00	27.00
DUR-18L-15L	M26X1.5	M22X1.5	12.00	12.00	12.00	12.00	31.00	27.00
DUR-18L-16S	M26X1.5	M24X1.5	12.00	14.00	15.00	12.00	36.00	27.00
DUR-20S-10S	M30X2	M18X1.5	16.00	12.00	7.00	7.00	40.00	32.00
DUR-20S-12S	M30X2	M20X1.5	16.00	12.00	16.00	8.00	40.00	32.00
DUR-20S-16S	M30X2	M24X1.5	16.00	14.00	16.00	12.00	42.00	32.00
DUR-22L-12L	M30X2	M18X1.5	14.00	11.00	10.00	10.00	32.00	32.00
DUR-22L-15L	M30X2	M22X1.5	14.00	12.00	19.00	12.00	33.00	32.00
DUR-22L-18L	M30X2	M26X1.5	14.00	12.00	15.00	15.00	33.00	32.00
DUR-25S-16S	M36X2	M24X1.5	18.00	14.00	20.00	12.00	46.00	41.00
DUR-25S-20S	M36X2	M30X2	18.00	16.00	16.00	16.00	48.00	41.00
DUR-28L-18L	M36X2	M26X1.5	14.00	12.00	24.00	15.00	34.00	41.00
DUR-28L-22L	M36X2	M30X2	14.00	14.00	24.00	19.00	36.00	41.00
DUR-30S-20S	M42X2	M30X2	20.00	16.00	25.00	16.00	50.00	46.00
DUR-30S-25S	M42X2	M36X2	20.00	18.00	20.00	20.00	52.00	46.00
DUR-35L-22L	M45X2	M30X2	16.00	14.00	19.00	19.00	39.00	46.00
DUR-35L-28L	M45X2	M36X2	16.00	14.00	30.00	24.00	39.00	46.00
DUR-38S-25S	M52X2	M36X2	22.00	18.00	32.00	20.00	57.00	55.00
DUR-38S-30S	M52X2	M42X2	22.00	20.00	32.00	25.00	59.00	55.00
DUR-42L-28L	M52X2	M36X2	16.00	14.00	36.00	24.00	44.50	55.00



DUR-LH

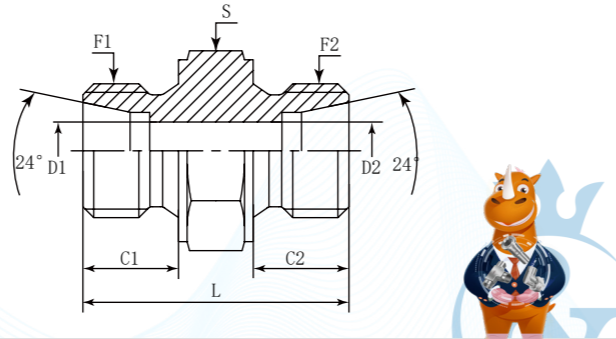
Reducing Straight Connector Large Hexagon

German Technology Equipment

SHIELD FLEX

New-Standard

- DME&JDE Code: **DUR-LH**
- Product Type: **Hydraulic adaptor**
- Standard: **DIN 2353**
- Structure: **Straight**
- Thread Types: **Metric x Metric**
- Other Features: **Hexagon**



PART NUMBER	F1 (Thread)	F2 (Thread)	C1	C2	D1	D2	L	S
#	Metric	Metric	mm	mm	mm	mm	mm	mm
DUR-LH-08L-06L	M14X1.5	M12X1.5	10.00	10.00	6.00	4.00	30.00	19.00
DUR-LH-10L-08L	M16X1.5	M14X1.5	11.00	10.00	8.00	6.00	31.00	22.00
DUR-LH-12L-08L	M18X1.5	M14X1.5	11.00	10.00	10.00	6.00	33.00	24.00
DUR-LH-12L-10L	M18X1.5	M16X1.5	11.00	11.00	10.00	8.00	34.00	24.00
DUR-LH-12S-08L	M20X1.5	M14X1.5	12.00	10.00	8.00	6.00	34.00	27.00
DUR-LH-12S-10L	M20X1.5	M16X1.5	12.00	11.00	8.00	8.00	35.50	27.00
DUR-LH-12S-12L	M20X1.5	M18X1.5	12.00	11.00	8.00	10.00	35.50	27.00
DUR-LH-15L-08L	M22X1.5	M14X1.5	12.00	10.00	12.00	6.00	34.50	27.00
DUR-LH-15L-10L	M22X1.5	M16X1.5	12.00	11.00	12.00	8.00	35.50	27.00
DUR-LH-15L-12L	M22X1.5	M18X1.5	12.00	11.00	12.00	10.00	35.00	27.00
DUR-LH-15L-12S	M22X1.5	M20X1.5	12.00	12.00	12.00	8.00	36.50	27.00
DUR-LH-16S-12L	M24X1.5	M18X1.5	14.00	11.00	12.00	10.00	37.00	30.00
DUR-LH-16S-15L	M24X1.5	M22X1.5	14.00	12.00	12.00	12.00	38.00	30.00
DUR-LH-18L-12L	M26X1.5	M18X1.5	12.00	11.00	15.00	10.00	38.00	32.00
DUR-LH-18L-15L	M26X1.5	M22X1.5	12.00	12.00	15.00	12.00	39.00	32.00
DUR-LH-25S-22L	M36X2	M30X2	18.00	14.00	19.00	19.00	50.00	46.00
DUR-LH-28L-22L	M36X2	M30X2	14.00	14.00	24.00	19.00	46.00	46.00

DT

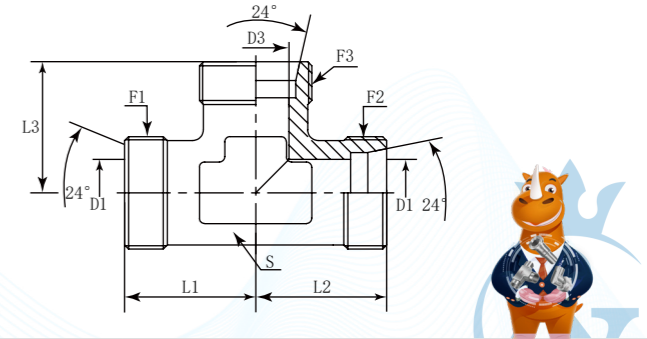
Connector Tee

German Technology Equipment

SHIELD FLEX

New-Standard

- DME&JDE Code: **DT**
- Product Type: **Hydraulic adaptor**
- Standard: **DIN 2353**
- Structure: **Tee**
- Thread Types: **Metric x Metric x Metric**



PART NUMBER	F1 (Thread)	F2 (Thread)	F3 (Thread)	D1	D2	D3	L1	L2	L3	S
#	METRIC	METRIC	METRIC	mm	mm	mm	mm	mm	mm	mm
DT-04LL	M8X1	M8X1	M8X1	3.00	3.00	3.00	15.00	15.00	15.00	9
DT-06LL	M10X1	M10X1	M10X1	4.50	4.50	4.50	15.00	15.00	15.00	9
DT-06S	M14X1.5	M14X1.5	M14X1.5	4.00	4.00	4.00	23.00	23.00	23.00	12
DT-06L	M12X1.5	M12X1.5	M12X1.5	4.00	4.00	4.00	19.00	19.00	19.00	12
DT-08LL	M12X1	M12X1	M12X1	6.00	6.00	6.00	17.50	17.50	17.50	12
DT-08L	M14X1.5	M14X1.5	M14X1.5	6.00	6.00	6.00	21.00	21.00	21.00	12
DT-08S	M16X1.5	M16X1.5	M16X1.5	5.00	5.00	5.00	24.00	24.00	24.00	14
DT-10L	M16X1.5	M16X1.5	M16X1.5	8.00	8.00	8.00	22.00	22.00	22.00	14
DT-10S	M18X1.5	M18X1.5	M18X1.5	7.00	7.00	7.00	25.00	25.00	25.00	17
DT-12L	M18X1.5	M18X1.5	M18X1.5	10.00	10.00	10.00	24.00	24.00	24.00	17
DT-12S	M20X1.5	M20X1.5	M20X1.5	8.00	8.00	8.00	29.00	29.00	29.00	17
DT-14S	M22X1.5	M22X1.5	M22X1.5	10.00	10.00	10.00	30.00	30.00	30.00	19
DT-15L	M22X1.5	M22X1.5	M22X1.5	12.00	12.00	12.00	28.00	28.00	28.00	19
DT-16S	M24X1.5	M24X1.5	M24X1.5	12.00	12.00	12.00	33.00	33.00	33.00	24
DT-18L	M26X1.5	M26X1.5	M26X1.5	15.00	15.00	15.00	31.00	31.00	31.00	24
DT-20S	M30X2	M30X2	M30X2	16.00	16.00	16.00	37.00	37.00	37.00	27
DT-22L	M30X2	M30X2	M30X2	19.00	19.00	19.00	35.00	35.00	35.00	27
DT-25S	M36X2	M36X2	M36X2	20.00	20.00	20.00	42.00	42.00	42.00	36
DT-28L	M36X2	M36X2	M36X2	24.00	24.00	24.00	38.00	38.00	38.00	36
DT-30S	M42X2	M42X2	M42X2	25.00	25.00	25.00	49.00	49.00	49.00	41
DT-35L	M45X2	M45X2	M45X2	30.00	30.00	30.00	45.00	45.00	45.00	41
DT-38S	M52X2	M52X2	M52X2	32.00	32.00	32.00	57.00	57.00	57.00	50
DT-42L	M52X2	M52X2	M52X2	36.00	36.00	36.00	51.00	51.00	51.00	50

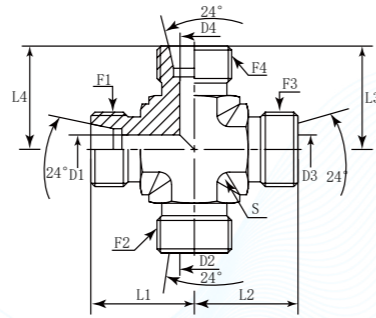


DC

Connector Cross



- DME&JDE Code: DC
- Product Type: Hydraulic adaptor
- Standard: DIN 2353
- Structure: Cross
- Thread Types: Metric x Metric



PART NUMBER	F1 (Thread)	F2 (Thread)	F3 (Thread)	F4 (Thread)	D1	D2	D3	D4	L1	L2	L3	L4	S
#	METRIC	METRIC	METRIC	METRIC	mm	mm	mm	mm	mm	mm	mm	mm	mm
DC-06L	M12X1.5	M12X1.5	M12X1.5	M12X1.5	4.00	4.00	4.00	4.00	19.00	19.00	19.00	19.00	14
DC-06S	M14X1.5	M14X1.5	M14X1.5	M14X1.5	4.00	4.00	4.00	4.00	23.00	23.00	23.00	23.00	14
DC-08L	M14X1.5	M14X1.5	M14X1.5	M14X1.5	6.00	6.00	6.00	6.00	21.00	21.00	21.00	21.00	14
DC-08S	M16X1.5	M16X1.5	M16X1.5	M16X1.5	5.00	5.00	5.00	5.00	24.00	24.00	24.00	24.00	19
DC-10L	M16X1.5	M16X1.5	M16X1.5	M16X1.5	8.00	8.00	8.00	8.00	22.00	22.00	22.00	22.00	19
DC-10S	M18X1.5	M18X1.5	M18X1.5	M18X1.5	7.00	7.00	7.00	7.00	25.00	25.00	25.00	25.00	19
DC-12L	M18X1.5	M18X1.5	M18X1.5	M18X1.5	10.00	10.00	10.00	10.00	24.00	24.00	24.00	24.00	19
DC-12S	M20X1.5	M20X1.5	M20X1.5	M20X1.5	8.00	8.00	8.00	8.00	29.00	29.00	29.00	29.00	19
DC-14S	M22X1.5	M22X1.5	M22X1.5	M22X1.5	10.00	10.00	10.00	10.00	30.00	30.00	30.00	30.00	19
DC-15L	M22X1.5	M22X1.5	M22X1.5	M22X1.5	12.00	12.00	12.00	12.00	28.00	28.00	28.00	28.00	19
DC-16S	M24X1.5	M24X1.5	M24X1.5	M24X1.5	12.00	12.00	12.00	12.00	33.00	33.00	33.00	33.00	27
DC-18L	M26X1.5	M26X1.5	M26X1.5	M26X1.5	15.00	15.00	15.00	15.00	31.00	31.00	31.00	31.00	27
DC-20S	M30X2	M30X2	M30X2	M30X2	16.00	16.00	16.00	16.00	37.00	37.00	37.00	37.00	27
DC-22L	M30X2	M30X2	M30X2	M30X2	19.00	19.00	19.00	19.00	35.00	35.00	35.00	35.00	30
DC-25S	M36X2	M36X2	M36X2	M36X2	20.00	20.00	20.00	20.00	42.00	42.00	42.00	42.00	36
DC-28L	M36X2	M36X2	M36X2	M36X2	24.00	24.00	24.00	24.00	38.00	38.00	38.00	38.00	36
DC-30S	M42X2	M42X2	M42X2	M42X2	25.00	25.00	25.00	25.00	49.00	49.00	49.00	49.00	41
DC-35L	M45X2	M45X2	M45X2	M45X2	30.00	30.00	30.00	30.00	45.00	45.00	45.00	45.00	41
DC-38S	M52X2	M52X2	M52X2	M52X2	32.00	32.00	32.00	32.00	57.00	57.00	57.00	57.00	50
DC-42L	M52X2	M52X2	M52X2	M52X2	36.00	36.00	36.00	36.00	51.00	51.00	51.00	51.00	50

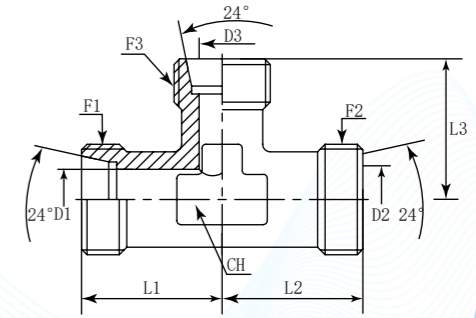


DTR

Reducing Tee



- DME&JDE Code: DTR
- Product Type: Hydraulic adaptor
- Standard: DIN 2353
- Structure: Tee
- Connection Type: Male x Male x Male
- Thread Types: Metric x Metric x Metric



PART NUMBER	F1 (Thread)	F2 (Thread)	F3 (Thread)	D1	D2	D3	L1	L2	L3	CH
#	METRIC	METRIC	METRIC	mm	mm	mm	mm	mm	mm	mm
DTR-06L-08L-06L	M12X1.5	M14X1.5	M12X1.5	4	6	4	21	21	21	12
DTR-06L-10L-06L	M12X1.5	M16X1.5	M12X1.5	4	8	4	21	22	21	14
DTR-08L-06L-08L	M14X1.5	M12X1.5	M14X1.5	6	4	6	21	21	21	12
DTR-08L-10L-08L	M14X1.5	M16X1.5	M14X1.5	6	8	6	21	22	21	14
DTR-08L-12L-08L	M14X1.5	M18X1.5	M14X1.5	8	10	8	23	24	23	17
DTR-10L-06L-10L	M16X1.5	M12X1.5	M16X1.5	8	4	8	22	21	22	14
DTR-10L-08L-10L	M16X1.5	M14X1.5	M16X1.5	8	6	8	22	21	22	14
DTR-10L-10L-06L	M16X1.5	M16X1.5	M12X1.5	8	8	4	22	22	21	14
DTR-10L-15L-10L	M16X1.5	M22X1.5	M16X1.5	8	12	8	27	28	27	19
DTR-10S-06S-10S	M18X1.5	M14X1.5	M18X1.5	7	4	7	25	25	25	17
DTR-12L-06L-12L	M18X1.5	M12X1.5	M18X1.5	10	4	10	24	23	24	17
DTR-12L-08L-08L	M18X1.5	M14X1.5	M14X1.5	10	8	8	24	23	23	17
DTR-12L-08L-12L	M18X1.5	M14X1.5	M18X1.5	10	8	10	24	23	24	17
DTR-12L-10L-10L	M18X1.5	M16X1.5	M16X1.5	10	8	8	24	24	24	17
DTR-12L-10L-12L	M18X1.5	M16X1.5	M18X1.5	10	8	10	24	24	24	17
DTR-12L-12L-10L	M18X1.5	M18X1.5	M16X1.5	10	10	8	24	24	24	17
DTR-12L-15L-12L	M18X1.5	M22X1.5	M18X1.5	10	12	10	27	28	27	19
DTR-12L-18L-12L	M22X1.5	M26X1.5	M22X1.5	12	15	12	31	31	30	24
DTR-12S-08S-08S	M20X1.5	M16X1.5	M16X1.5	8	5	5	25	25	25	17
DTR-12S-08S-12S	M20X1.5	M16X1.5	M20X1.5	8	5	8	29	25	29	17
DTR-12S-10S-12S	M20X1.5	M18X1.5	M20X1.5	8	7	8	29	25	29	17



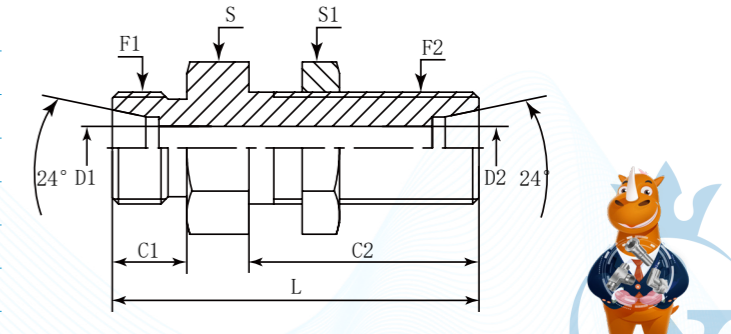
DTR-12S-16S-12S	M20X1.5	M24X1.5	M20X1.5	8	12	8	31	33	31	24
DTR-15L-06L-15L	M22X1.5	M12X1.5	M22X1.5	12	4	12	28	25	28	19
DTR-15L-10L-15L	M22X1.5	M16X1.5	M22X1.5	12	8	12	28	27	28	19
DTR-15L-12L-12L	M22X1.5	M18X1.5	M18X1.5	12	10	10	28	27	27	19
DTR-15L-12L-15L	M22X1.5	M18X1.5	M22X1.5	12	10	12	28	27	28	19
DTR-15L-15L-12L	M22X1.5	M22X1.5	M18X1.5	12	12	10	28	28	27	19
DTR-16S-06S-16S	M24X1.5	M14X1.5	M24X1.5	12	4	12	33	31	33	24
DTR-16S-08S-16S	M24X1.5	M16X1.5	M24X1.5	12	5	12	33	31	33	24
DTR-16S-10S-16S	M24X1.5	M18X1.5	M24X1.5	12	7	12	33	31	33	24
DTR-16S-12S-16S	M24X1.5	M20X1.5	M24X1.5	12	8	12	33	31	33	24
DTR-16S-20S-16S	M24X1.5	M30X2	M24X1.5	12	16	12	36	37	36	27
DTR-18L-10L-10L	M26X1.5	M16X1.5	M16X1.5	15	8	8	31	30	30	24
DTR-18L-10L-18L	M26X1.5	M16X1.5	M26X1.5	15	8	15	31	30	31	24
DTR-18L-12L-18L	M26X1.5	M18X1.5	M26X1.5	15	10	15	31	30	31	24
DTR-18L-15L-18L	M26X1.5	M22X1.5	M26X1.5	15	12	15	31	31	31	24
DTR-18L-18L-10L	M26X1.5	M26X1.5	M16X1.5	15	15	8	31	31	30	24
DTR-20S-10S-20S	M30X2	M18X1.5	M30X2	16	7	16	37	34	37	27
DTR-20S-12S-20S	M30X2	M20X1.5	M30X2	16	8	16	37	34	37	27
DTR-20S-16S-20S	M30X2	M24X1.5	M30X2	16	12	16	37	36	37	27
DTR-20S-25S-20S	M30X2	M36X2	M30X2	16	20	16	40	42	40	36
DTR-22L-10L-22L	M30X2	M16X1.5	M30X2	19	8	19	35	33	35	27
DTR-22L-12L-22L	M30X2	M18X1.5	M30X2	19	10	19	35	33	35	27
DTR-22L-15L-15L	M30X2	M22X1.5	M22X1.5	19	12	12	35	34	34	27
DTR-22L-15L-22L	M30X2	M22X1.5	M30X2	19	12	19	35	34	35	27
DTR-22L-18L-18L	M30X2	M26X1.5	M26X1.5	19	15	15	35	34	34	27
DTR-22L-18L-22L	M30X2	M26X1.5	M30X2	19	15	19	35	34	35	27
DTR-22L-22L-18L	M30X2	M30X2	M26X1.5	19	19	15	35	35	34	27
DTR-25S-16S-25S	M36X2	M24X1.5	M36X2	20	12	20	42	39	42	36
DTR-25S-20S-25S	M36X2	M30X2	M36X2	20	16	20	42	40	42	36
DTR-25S-30S-25S	M36X2	M42X2	M36X2	20	25	20	47	49	47	41
DTR-28L-10L-28L	M36X2	M16X1.5	M36X2	24	8	24	38	36	38	36
DTR-28L-12L-28L	M36X2	M18X1.5	M36X2	24	10	24	38	36	38	36
DTR-28L-15L-28L	M36X2	M22X1.5	M36X2	24	12	24	38	37	38	36
DTR-28L-18L-28L	M36X2	M26X1.5	M36X2	24	15	24	38	37	38	36
DTR-28L-22L-22L	M36X2	M30X2	M30X2	24	19	19	38	38	38	36
DTR-28L-22L-28L	M36X2	M30X2	M36X2	24	19	24	38	38	38	36

DBU

Bulkhead Connector



- DME&JDE Code:** DBU
- Product Type:** Hydraulic adaptor
- Standard:** DIN 2353
- Structure:** Straight
- Connection Type:** Male
- Thread Types:** Metric
- Other Features:** Bulkhead



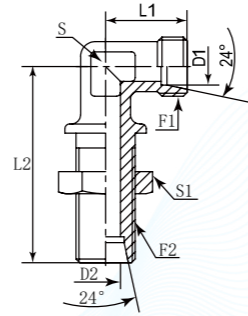
PART NUMBER	F1/F2 (Thread)	C1	C2	D1/D2	L	S	S1
#	Metric	mm	mm	mm	mm	mm	mm
DBU-06L	M12X1.5	10.00	34.00	4.00	48.00	17.00	17.00
DBU-06S	M14X1.5	12.00	36.00	4.00	55.00	19.00	19.00
DBU-08L	M14X1.5	10.00	34.00	6.00	49.00	19.00	19.00
DBU-08S	M16X1.5	12.00	36.00	5.00	56.00	22.00	22.00
DBU-10L	M16X1.5	11.00	35.00	8.00	52.00	22.00	22.00
DBU-10S	M18X1.5	12.00	37.00	7.00	59.00	24.00	24.00
DBU-12L	M18X1.5	11.00	36.00	10.00	53.00	24.00	24.00
DBU-12S	M20X1.5	12.00	38.00	8.00	60.00	27.00	27.00
DBU-14S	M22X1.5	14.00	40.00	10.00	65.00	30.00	30.00
DBU-15L	M22X1.5	12.00	38.00	12.00	57.00	27.00	30.00
DBU-16S	M24X1.5	14.00	40.00	12.00	65.00	32.00	32.00
DBU-18L	M26X1.5	12.00	40.00	15.00	61.00	32.00	36.00
DBU-20S	M30X2	16.00	44.00	16.00	72.00	41.00	41.00
DBU-22L	M30X2	14.00	42.00	19.00	66.00	36.00	41.00
DBU-25S	M36X2	18.00	47.00	20.00	79.00	46.00	46.00
DBU-28L	M36X2	14.00	43.00	24.00	70.00	41.00	46.00
DBU-30S	M42X2	20.00	51.00	25.00	86.00	50.00	50.00
DBU-35L	M45X2	16.00	47.00	30.00	76.00	50.00	55.00
DBU-38S	M52X2	22.00	53.00	32.00	91.00	65.00	65.00
DBU-42L	M52X2	16.00	47.00	36.00	77.00	60.00	65.00

DBL

Bulkhead Connector Elbow



- DME&JDE Code: DBL
- Product Type: Hydraulic adaptor
- Standard: DIN 2353
- Structure: 90° Elbow
- Connection Type: Male
- Thread Types: Metric
- Other Features: Bulkhead



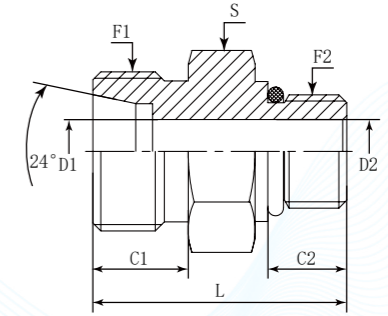
PART NUMBER	F1/F2 (Thread)	D1/D2	L1	L2	S	S1
#	Metric	mm	mm	mm	mm	mm
DBL-06L	M12X1.5	4.00	19.00	48.00	12.00	17.00
DBL-06S	M14X1.5	4.00	23.00	53.00	12.00	19.00
DBL-08L	M14X1.5	6.00	21.00	51.00	12.00	19.00
DBL-08S	M16X1.5	5.00	24.00	54.00	14.00	22.00
DBL-10L	M16X1.5	8.00	22.00	53.00	14.00	22.00
DBL-10S	M18X1.5	7.00	25.00	57.00	17.00	24.00
DBL-12L	M18X1.5	10.00	24.00	56.00	17.00	24.00
DBL-12S	M20X1.5	8.00	29.00	59.00	17.00	27.00
DBL-14S	M22X1.5	10.00	30.00	63.00	19.00	30.00
DBL-15L	M22X1.5	12.00	28.00	61.00	19.00	30.00
DBL-16S	M24X1.5	12.00	33.00	64.00	24.00	32.00
DBL-18L	M26X1.5	15.00	31.00	64.00	24.00	36.00
DBL-20S	M30X2	16.00	37.00	74.00	27.00	41.00
DBL-22L	M30X2	19.00	35.00	72.00	27.00	41.00
DBL-25S	M36X2	20.00	42.00	81.00	36.00	46.00
DBL-28L	M36X2	24.00	38.00	77.00	36.00	46.00
DBL-30S	M42X2	25.00	49.00	90.00	41.00	50.00
DBL-35L	M45X2	30.00	45.00	86.00	48.00	55.00
DBL-38S	M52X2	32.00	57.00	96.00	50.00	65.00
DBL-42L	M52X2	36.00	51.00	90.00	50.00	65.00

DOM-U

Male Connector(JIC Male) with O Ring



- DME&JDE Code: DOM-U
- Product Type: Hydraulic adaptor
- Standard: DIN 2353
- Structure: Straight
- Connection Type: Male
- Thread Type: Metric x UNF
- Sealing Type: O Ring



PART NUMBER	F1 (Thread)	F2 (Thread)	C1	C2	D1	D2	L	S
#	METRIC	UNF	mm	mm	mm	mm	mm	mm
DOM-06L-04U	M12X1.5	7/16"-20	10.00	9.14	4.00	4.00	26.00	14
DOM-06L-06U	M12X1.5	9/16"-18	10.00	9.93	4.00	7.54	29.50	17
DOM-06S-05U	M14X1.5	1/2"-20	12.00	9.14	4.00	5.94	29.00	17
DOM-08L-04U	M14X1.5	7/16"-20	10.00	9.14	6.00	4.37	26.00	14
DOM-08L-05U	M14X1.5	1/2"-20	10.00	9.14	5.94	5.94	26.70	17
DOM-08L-06U	M14X1.5	9/16"-18	10.00	9.93	6.00	6.00	27.50	17
DOM-08L-08U	M14X1.5	3/4"-16	10.00	11.13	6.00	9.93	30.00	22
DOM-08S-04U	M16X1.5	7/16"-20	12.00	9.14	4.37	4.37	31.00	17
DOM-08S-05U	M16X1.5	1/2"-20	12.00	9.14	5.94	5.94	31.00	17
DOM-08S-06U	M16X1.5	9/16"-18	12.00	9.93	5.00	7.54	31.00	19
DOM-10L-04U	M16X1.5	7/16"-20	11.00	9.14	4.37	4.37	27.00	17
DOM-10L-05U	M16X1.5	1/2"-20	11.00	9.14	8.00	5.94	27.00	17
DOM-10L-06U	M16X1.5	9/16"-18	11.00	9.93	8.00	8.00	31.00	19
DOM-10L-08U	M16X1.5	3/4"-16	11.00	11.13	8.00	8.00	30.00	24
DOM-10L-10U	M16X1.5	7/8"-14	11.00	12.70	8.00	8.00	34.00	27
DOM-10S-06U	M18X1.5	9/16"-18	12.00	10.00	7.00	7.00	32.00	19
DOM-10S-08U	M18X1.5	3/4"-16	12.00	11.13	7.00	9.93	36.00	22
DOM-12L-04U	M18X1.5	7/16"-20	11.00	9.14	10.00	4.37	27.50	19
DOM-12L-06U	M18X1.5	9/16"-18	11.00	9.93	7.54	7.54	28.00	19
DOM-12L-08U	M18X1.5	3/4"-16	11.00	11.13	10.00	10.00	31.00	24
DOM-12L-10U	M18X1.5	7/8"-14	11.00	12.70	10.00	10.00	34.00	27
DOM-12S-04U	M20X1.5	7/16"-20	12.00	9.14	8.00	4.37	31.00	22

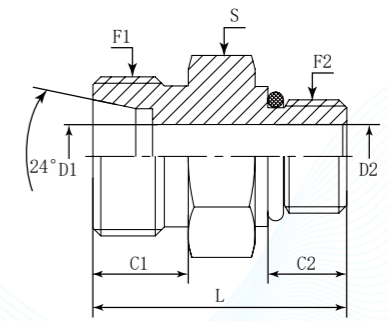
DOM-12S-05U	M20X1.5	1/2"-20	12.00	9.14	8.00	5.94	32.00	22
DOM-12S-06U	M20X1.5	9/16"-18	12.00	9.93	8.00	8.00	32.00	22
DOM-12S-08U	M20X1.5	3/4"-16	12.00	11.13	8.00	9.93	36.00	24
DOM-12S-10U	M20X1.5	7/8"-14	12.00	12.70	8.00	12.30	38.00	27
DOM-12S-12U	M20X1.5	1 1/16"-12	12.00	15.09	8.00	15.47	40.50	32
DOM-14S-08U	M22X1.5	3/4"-16	14.00	11.13	9.93	9.93	35.00	24
DOM-15L-06U	M22X1.5	9/16"-18	12.00	9.93	12.00	7.54	32.00	24
DOM-15L-08U	M22X1.5	3/4"-16	12.00	11.13	12.00	9.93	32.00	24
DOM-15L-10U	M22X1.5	7/8"-14	12.00	12.70	12.00	12.00	35.00	27
DOM-15L-12U	M22X1.5	1 1/16"-12	12.00	15.09	12.00	15.47	40.00	32
DOM-16S-08U	M24X1.5	3/4"-16	14.00	11.13	12.00	9.93	35.00	24
DOM-16S-10U	M24X1.5	7/8"-14	14.00	12.70	12.00	12.00	40.00	27
DOM-16S-12U	M24X1.5	1 1/16"-12	14.00	15.09	12.00	12.00	42.00	32
DOM-18L-08U	M26X1.5	3/4"-16	12.00	11.13	15.00	9.93	33.00	27
DOM-18L-10U	M26X1.5	7/8"-14	12.00	12.70	12.30	12.30	35.00	27
DOM-20S-06U	M30X2	9/16"-18	16.00	9.93	16.00	7.54	41.00	32
DOM-20S-08U	M30X2	3/4"-16	16.00	11.13	16.00	9.93	42.50	32
DOM-20S-10U	M30X2	7/8"-14	16.00	12.70	16.00	12.29	44.00	32
DOM-20S-12U	M30X2	1 1/16"-12	16.00	15.09	15.47	15.47	46.00	32
DOM-22L-08U	M30X2	3/4"-16	14.00	11.13	19.00	9.93	35.50	32
DOM-22L-10U	M30X2	7/8"-14	14.00	12.70	19.00	12.29	37.00	32
DOM-22L-12U	M30X2	1 1/16"-12	14.00	15.09	19.00	15.47	39.00	32
DOM-22L-16U	M30X2	1 5/16"-12	14.00	15.09	19.00	19.00	40.00	41
DOM-25S-10U	M36X2	7/8"-14	18.00	12.70	20.00	12.29	47.00	36
DOM-25S-12U	M36X2	1 1/16"-12	18.00	15.09	20.00	15.00	50.00	36
DOM-25S-16U	M36X2	1 5/16"-12	18.00	15.09	20.00	20.00	50.00	41
DOM-28L-10U	M36X2	7/8"-14	14.00	12.70	24.00	12.30	38.50	41
DOM-28L-12U	M36X2	1 1/16"-12	14.00	15.09	24.00	15.47	40.00	41
DOM-28L-16U	M36X2	1 5/16"-12	14.00	15.09	21.44	21.44	40.00	41
DOM-30S-16U	M42X2	1 5/16"-12	20.00	15.09	25.00	21.44	52.00	46
DOM-30S-20U	M42X2	1 5/8"-12	20.00	15.09	25.00	27.38	52.00	50
DOM-35L-16U	M45X2	1 5/16"-12	16.00	15.09	30.00	21.44	43.00	46
DOM-35L-20U	M45X2	1 5/8"-12	16.00	15.09	30.00	27.38	43.00	50
DOM-38S-20U	M52X2	1 5/8"-12	22.00	15.09	32.00	27.38	56.50	55
DOM-38S-24U	M52X2	1 7/8"-12	22.00	15.09	32.00	32.00	57.00	55
DOM-42L-20U	M52X2	1 5/8"-12	16.00	15.09	36.00	27.38	45.00	55
DOM-42L-24U	M52X2	1 7/8"-12	16.00	15.09	36.00	33.32	45.00	55

DOM-M

DIN2353 Male Connector Metric Male with O Ring



- DME&JDE Code:** DOM-M
- Product Type:** Hydraulic adaptor
- Standard:** DIN 2353
- Structure:** Straight
- Connection Type:** Male x Male
- Thread Type:** Metric x UNF
- Sealing Type:** O Ring



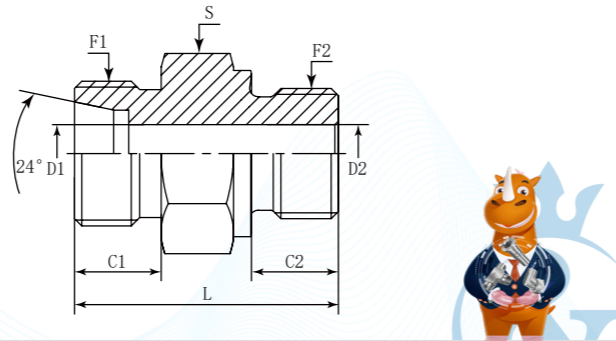
PART NUMBER	F1 (Thread)	F2 (Thread)	C1	C2	D1	D2	L	S
#	METRIC	UNF	mm	mm	mm	mm	mm	mm
DOM-06L-M10	M12X1.5	M10X1	10.00	8.50	4.00	4.00	25.00	14
DOM-06S-M10	M14X1.5	M10X1	12.00	9.50	3.00	3.00	28.00	14
DOM-06S-M12	M14X1.5	M12X1.5	12.00	11.00	3.00	4.00	30.00	17
DOM-08L-M12	M14X1.5	M12X1.5	10.00	11.00	6.00	6.00	28.00	17
DOM-08S-M12	M16X1.5	M12X1.5	12.00	11.00	4.00	4.00	31.00	17
DOM-08S-M14	M16X1.5	M14X1.5	12.00	11.00	6.00	6.00	32.00	19
DOM-10L-M12	M16X1.5	M12X1.5	11.00	11.00	6.00	6.00	29.00	17
DOM-10L-M14	M16X1.5	M14X1.5	11.00	11.00	6.00	7.50	30.00	19
DOM-10S-M16	M18X1.5	M16X1.5	12.00	12.50	7.00	7.00	34.50	22
DOM-10S-M18	M18X1.5	M18X1.5	12.00	14.00	7.00	9.00	36.00	24
DOM-12L-M14	M18X1.5	M14X1.5	11.00	11.00	10.00	7.50	30.50	19
DOM-12L-M16	M18X1.5	M16X1.5	11.00	12.50	10.00	7.00	31.00	22
DOM-12S-M18	M20X1.5	M18X1.5	12.00	14.00	8.00	8.00	36.50	24
DOM-14S-M18	M22X1.5	M18X1.5	14.00	14.00	10.00	9.00	38.50	24
DOM-14S-M20	M22X1.5	M20X1.5	14.00	10.00	10.00	10.00	39.00	24
DOM-15L-M18	M22X1.5	M18X1.5	12.00	12.50	11.00	11.00	33.00	24
DOM-15L-M27	M22X1.5	M27X2	12.00	16.00	12.00	18.00	39.50	32
DOM-16S-M22	M24X1.5	M22X1.5	14.00	15.00	12.00	12.00	39.00	27
DOM-18L-M22	M26X1.5	M22X1.5	12.00	15.00	14.00	12.00	35.00	27
DOM-20S-M27	M30X2	M27X2	16.00	18.50	15.00	15.00	49.50	32
DOM-22L-M27	M30X2	M27X2	14.00	16.00	18.00	18.00	40.00	32
DOM-22L-M33	M30X2	M33X2	14.00	16.00	19.00	23.00	41.00	41
DOM-25S-M30	M36X2	M30X2	18.00	18.50	20.00	17.00	48.00	36
DOM-25S-M33	M36X2	M33X2	18.00	18.50	20.00	20.00	49.00	41
DOM-28L-M33	M36X2	M33X2	14.00	16.00	24.00	23.00	41.00	41
DOM-28L-M42	M36X2	M42X2	14.00	16.00	24.00	30.00	41.00	50
DOM-28L-M48	M36X2	M48X2	14.00	17.50	24.00	36.00	44.00	55
DOM-30S-M33	M42X2	M33X2	20.00	18.50	25.00	20.00	53.50	46
DOM-30S-M42	M42X2	M42X2	20.00	19.00	25.00	26.00	56.00	50
DOM-35L-M42	M45X2	M42X2	16.00	16.00	30.00	30.00	45.00	50
DOM-35L-M48	M45X2	M48X2	16.00	17.50	30.00	36.00	46.00	55
DOM-38S-M42	M52X2	M42X2	22.00	19.00	32.00	26.00	57.00	55
DOM-38S-M48	M52X2	M48X2	22.00	21.50	32.00	32.00	59.50	55
DOM-42L-M48	M52X2	M48X2	16.00	17.50	36.00	36.00	46.00	55

DMC-G

Male Connector (BSPP Male) with Cutting Face



- DME&JDE Code:** DMC-G
- Product Type:** Hydraulic adaptor
- Standard:** DIN 2353
- Structure:** Straight
- Connection Type:** Male x Male
- Thread Types:** Metric x BSPP + Cutting Face



PART NUMBER	F1 (Thread)	F2 (Thread)	C	L	D1	D2	S	S1
#	Metric	BSPP	mm	mm	mm	mm	mm	mm
DMC-06L-01G	M12X1.5	1/8"-28	10.00	8.00	4.00	4.00	23.50	14.00
DMC-06L-02G	M12X1.5	1/4"-19	10.00	12.00	4.00	7.50	29.00	19.00
DMC-06L-03G	M12X1.5	3/8"-19	10.00	12.00	4.00	9.90	30.50	22.00
DMC-06S-02G	M14X1.5	1/4"-19	12.00	12.00	4.00	7.50	32.00	19.00
DMC-08L-01G	M14X1.5	1/8"-28	10.00	8.00	6.00	4.00	25.00	14.00
DMC-08L-02G	M14X1.5	1/4"-19	10.00	12.00	6.00	6.00	29.00	19.00
DMC-08L-03G	M14X1.5	3/8"-19	10.00	12.00	6.00	6.00	30.50	22.00
DMC-08L-04G	M14X1.5	1/2"-14	10.00	14.00	6.00	12.00	33.00	27.00
DMC-08S-02G	M16X1.5	1/4"-19	12.00	12.00	5.00	7.50	34.00	19.00
DMC-10L-01G	M16X1.5	1/8"-28	11.00	8.00	8.00	4.00	26.00	17.00
DMC-10L-02G	M16X1.5	1/4"-19	11.00	12.00	7.50	7.50	30.00	19.00
DMC-10L-03G	M16X1.5	3/8"-19	11.00	12.00	8.00	8.00	31.50	22.00
DMC-10L-04G	M16X1.5	1/2"-14	11.00	14.00	8.00	8.00	34.00	27.00
DMC-10S-02G	M18X1.5	1/4"-19	12.00	12.00	7.00	7.00	34.00	19.00
DMC-10S-04G	M18X1.5	1/2"-14	12.00	14.00	7.00	7.00	39.00	27.00
DMC-12L-02G	M18X1.5	1/4"-19	11.00	12.00	10.00	7.50	31.00	19.00
DMC-12L-03G	M18X1.5	3/8"-19	11.00	12.00	9.00	9.00	31.50	22.00

Web: <https://www.dmejde.com>
E-mail: info@dmejde.com



DMC-12L-04G	M18X1.5	1/2"-14	11.00	14.00	10.00	10.00	34.00	27.00
DMC-12S-03G	M20X1.5	3/8"-19	12.00	12.00	8.00	8.00	36.50	22.00
DMC-12S-04G	M20X1.5	1/2"-14	12.00	14.00	8.00	12.30	39.00	27.00
DMC-14S-04G	M22X1.5	1/2"-14	14.00	14.00	10.00	10.00	41.00	27.00
DMC-15L-03G	M22X1.5	3/8"-19	12.00	12.00	12.00	9.90	32.50	24.00
DMC-15L-04G	M22X1.5	1/2"-14	12.00	14.00	12.00	12.00	35.00	27.00
DMC-15L-06G	M22X1.5	3/4"-14	12.00	16.00	12.00	15.50	38.00	32.00
DMC-16S-03G	M24X1.5	3/8"-19	14.00	12.00	12.00	9.00	39.00	27.00
DMC-16S-04G	M24X1.5	1/2"-14	14.00	14.00	12.00	12.00	41.00	27.00
DMC-16S-06G	M24X1.5	3/4"-14	14.00	16.00	12.00	15.50	45.00	32.00
DMC-18L-04G	M26X1.5	1/2"-14	12.00	14.00	15.00	12.30	36.00	27.00
DMC-18L-06G	M26X1.5	3/4"-14	12.00	16.00	15.00	15.00	38.00	32.00
DMC-20S-04G	M30X2	1/2"-14	16.00	14.00	16.00	12.30	45.00	32.00
DMC-20S-06G	M30X2	3/4"-14	16.00	16.00	15.50	15.50	47.00	32.00
DMC-20S-08G	M30X2	1"-11	16.00	18.00	16.00	21.50	51.00	41.00
DMC-22L-04G	M30X2	1/2"-14	14.00	14.00	19.00	12.30	38.00	32.00
DMC-22L-06G	M30X2	3/4"-14	14.00	16.00	19.00	15.50	40.00	32.00
DMC-22L-08G	M30X2	1"-11	14.00	18.00	19.00	23.00	43.00	41.00
DMC-25S-04G	M36X2	1/2"-14	18.00	14.00	20.00	12.00	49.00	41.00
DMC-25S-06G	M36X2	3/4"-14	18.00	16.00	20.00	15.50	51.00	41.00
DMC-25S-08G	M36X2	1"-11	18.00	18.00	20.00	20.00	53.00	41.00
DMC-28L-06G	M36X2	3/4"-14	14.00	16.00	24.00	15.50	41.00	41.00
DMC-28L-08G	M36X2	1"-11	14.00	18.00	24.00	21.50	43.00	41.00
DMC-30S-06G	M42X2	3/4"-14	20.00	16.00	25.00	15.50	53.00	46.00
DMC-30S-08G	M42X2	1"-11	20.00	18.00	25.00	21.50	55.00	46.00
DMC-35L-08G	M45X2	1"-11	16.00	18.00	30.00	21.50	47.00	46.00
DMC-35L-10G	M45X2	1 1/4"-11	16.00	20.00	30.00	30.00	48.00	50.00
DMC-38S-08G	M52X2	1"-11	22.00	18.00	32.00	21.50	60.00	55.00
DMC-38S-10G	M52X2	1-1/4"-11	22.00	20.00	32.00	25.00	62.00	55.00
DMC-38S-12G	M52X2	1-1/2"-11	22.00	22.00	32.00	32.00	64.00	55.00
DMC-42L-12G	M52X2	1-1/2"-11	16.00	22.00	36.00	36.00	52.00	55.00



Web: <https://www.dmejde.com>
E-mail: info@dmejde.com



DMC-G-60

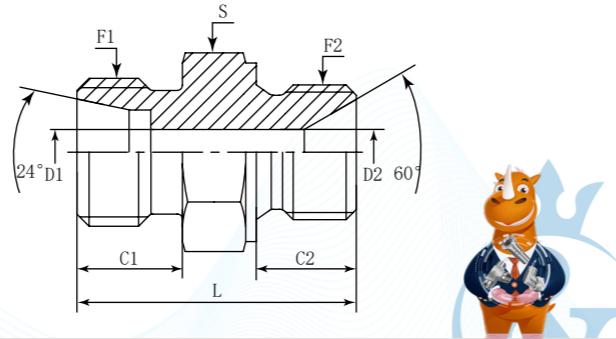
Male Connector (BSPP Male) with 60° Cone Seal

German Technology Equipment

SHIELD FLEX

New-Standard

- DME&JDE Code: **DMC-G-60**
- Product Type: **Hydraulic adaptor**
- Standard: **DIN 2353**
- Structure: **Straight**
- Connection Type: **Male x Male**
- Thread Types: **Metric x BSPP 60° Cone**



PART NUMBER	F1 (Thread)	F2 (Thread)	C1	C2	D1	D2	L	S
#	Metric	BSPP	mm	mm	mm	mm	mm	mm
DMC-06L-01G-60	M12X1.5	1/8"-28	10.00	8.00	3.50	3.50	23.00	14.00
DMC-06L-02G-60	M12X1.5	1/4"-19	10.00	9.00	3.50	3.50	26.00	19.00
DMC-08L-02G-60	M14X1.5	1/4"-19	10.00	9.00	3.50	6.00	26.00	19.00
DMC-08L-03G-60	M14X1.5	3/8"-19	10.00	12.00	6.00	6.00	30.00	22.00
DMC-10L-03G-60	M16X1.5	3/8"-19	11.00	12.00	8.00	8.00	31.00	22.00
DMC-10S-04G-60	M18X1.5	1/2"-14	12.00	14.00	11.10	7.00	36.00	27.00
DMC-12L-04G-60	M18X1.5	1/2"-14	11.00	14.00	10.00	10.00	35.00	27.00
DMC-12S-04G-60	M20X1.5	1/2"-14	12.00	14.00	11.10	8.00	36.00	27.00
DMC-16S-03G-60	M24X1.5	3/8"-19	14.00	12.00	7.90	12.00	36.00	27.00
DMC-16S-04G-60	M24X1.5	1/2"-14	14.00	14.00	11.10	11.10	38.00	27.00
DMC-18L-04G-60	M26X1.5	1/2"-14	12.00	14.00	11.10	15.00	39.00	27.00
DMC-20S-06G-60	M30X2	3/4"-14	16.00	16.00	16.00	16.00	43.00	32.00

DMC-R

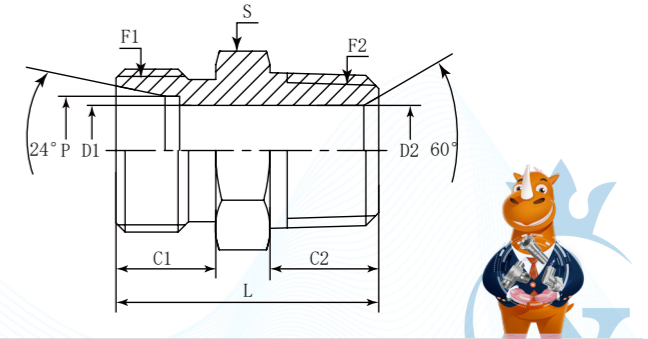
Male Connector (BSPT 60° Male) with Form C Stud End

German Technology Equipment

SHIELD FLEX

New-Standard

- DME&JDE Code: **DMC-R**
- Product Type: **Hydraulic adaptor**
- Standard: **DIN 2353**
- Structure: **Straight**
- Connection Type: **Male x Male**
- Thread Type: **Metric x BSPT 60°**



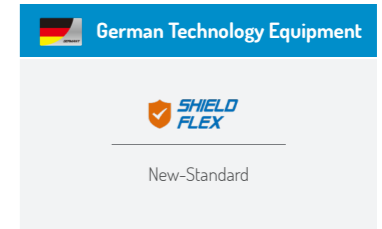
PART NUMBER	F1 (Thread)	F2 (Thread)	P	C1	C2	D1	D2	L	S
#	Metric	BSPT	mm	mm	mm	mm	mm	mm	mm
DMC-04LL-01R	M8X1	1/8"-28	4.10	8.00	10.00	3.00	4.50	23.50	12.00
DMC-06L-01R	M12X1.5	1/8"-28	6.00	10.00	10.00	4.00	4.00	24.00	12.00
DMC-06L-02R	M12X1.5	1/4"-19	6.00	10.00	14.00	4.00	6.00	28.00	17.00
DMC-06L-03R	M12X1.5	3/8"-19	6.00	10.00	15.00	4.00	9.00	32.00	19.00
DMC-06LL-01R	M10X1	1/8"-28	6.00	8.00	8.00	4.50	4.50	20.00	11.00
DMC-06S-01R	M14X1.5	1/8"-28	6.00	12.00	10.00	4.00	4.00	28.00	14.00
DMC-06S-02R	M14X1.5	1/4"-19	6.00	12.00	14.00	4.00	5.94	33.00	17.00
DMC-08L-01R	M14X1.5	1/8"-28	8.00	10.00	10.00	6.00	4.50	26.00	14.00
DMC-08L-02R	M14X1.5	1/4"-19	8.00	10.00	14.00	5.94	5.94	30.00	17.00
DMC-08L-03R	M14X1.5	3/8"-19	8.00	10.00	15.00	6.00	9.00	32.50	19.00
DMC-08L-04R	M14X1.5	1/2"-14	8.00	10.00	19.00	6.00	12.00	36.00	22.00
DMC-08LL-01R	M12X1	1/8"-28	8.00	9.00	10.00	4.50	4.50	25.00	12.00
DMC-08S-02R	M16X1.5	1/4"-19	8.00	12.00	14.00	5.00	5.00	32.00	17.00
DMC-10L-01R	M16X1.5	1/8"-28	10.00	11.00	10.00	8.00	4.50	26.00	17.00
DMC-10L-02R	M16X1.5	1/4"-19	10.00	11.00	14.00	6.00	6.00	28.50	17.00
DMC-10L-03R	M16X1.5	3/8"-19	10.00	11.00	14.00	8.00	8.00	31.00	19.00
DMC-10L-04R	M16X1.5	1/2"-14	10.00	11.00	14.00	8.00	12.00	32.00	22.00



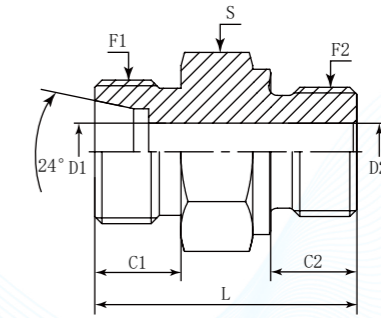
DMC-10S-02R	M18X1.5	1/4"-19	10.00	12.00	14.00	6.00	6.00	34.00	19.00
DMC-10S-03R	M18X1.5	3/8"-19	10.00	12.00	15.00	7.00	7.00	35.00	19.00
DMC-10S-04R	M18X1.5	1/2"-14	10.00	12.00	19.00	7.00	12.00	41.00	22.00
DMC-12L-02R	M18X1.5	1/4"-19	12.00	11.00	12.50	10.00	6.00	30.00	19.00
DMC-12L-03R	M18X1.5	3/8"-19	12.00	11.00	12.00	9.00	9.00	30.00	19.00
DMC-12L-04R	M18X1.5	1/2"-14	12.00	11.00	16.00	10.00	10.00	33.00	24.00
DMC-12S-02R	M20X1.5	1/4"-19	12.00	12.00	14.00	8.00	6.00	36.00	22.00
DMC-12S-03R	M20X1.5	3/8"-19	12.00	12.00	15.00	8.00	8.00	35.00	22.00
DMC-12S-04R	M20X1.5	1/2"-14	12.00	12.00	14.00	8.00	12.00	36.00	22.00
DMC-14S-03R	M22X1.5	3/8"-19	14.00	14.00	15.00	9.00	9.00	38.00	24.00
DMC-14S-04R	M22X1.5	1/2"-14	14.00	14.00	19.00	10.00	12.00	43.00	24.00
DMC-15L-04R	M22X1.5	1/2"-14	15.00	12.00	16.00	12.00	12.00	34.00	24.00
DMC-16S-03R	M24X1.5	3/8"-19	16.00	14.00	15.00	12.00	9.00	39.50	27.00
DMC-16S-04R	M24X1.5	1/2"-14	16.00	14.00	16.00	12.00	12.00	40.00	27.00
DMC-18L-04R	M26X1.5	1/2"-14	18.00	12.00	19.00	15.00	12.00	38.50	27.00
DMC-18L-06R	M26X1.5	3/4"-14	18.00	12.00	16.00	15.00	15.00	35.00	32.00
DMC-20S-04R	M30X2	1/2"-14	20.00	16.00	19.00	16.00	12.00	46.00	32.00
DMC-20S-06R	M30X2	3/4"-14	20.00	16.00	20.00	16.00	16.00	48.00	32.00
DMC-22L-06R	M30X2	3/4"-14	22.00	14.00	20.00	16.70	16.70	41.00	32.00
DMC-25S-04R	M36X2	1/2"-14	25.00	18.00	19.00	20.00	12.00	50.00	41.00
DMC-25S-06R	M36X2	3/4"-14	25.00	18.00	20.00	20.00	16.70	51.00	41.00
DMC-25S-08R	M36X2	1"-11	25.00	18.00	24.00	20.00	22.20	56.00	41.00
DMC-28L-08R	M36X2	1"-11	28.00	14.00	24.00	23.00	23.00	48.00	41.00
DMC-30S-08R	M42X2	1"-11	30.00	20.00	24.00	25.00	22.20	58.00	46.00
DMC-30S-10R	M42X2	1-1/4"-11	30.00	20.00	25.00	25.00	28.60	60.00	46.00
DMC-35L-10R	M45X2	1-1/4"-11	35.30	16.00	25.00	28.60	28.60	51.00	46.00
DMC-38S-12R	M52X2	1-1/2"-11	38.30	22.00	25.00	32.00	32.00	64.00	55.00
DMC-42L-12R	M52X2	1-1/2"-11	42.30	16.00	25.00	36.00	33.30	52.00	55.00

DMC-M

Metric Male Connector with Cutting Face



- DME&JDE Code:** DMC-M
- Product Type:** Hydraulic adaptor
- Standard:** DIN 2353
- Structure:** Straight
- Connection Type:** Male x Male
- Thread Type:** Metric x Metric



Filter the F1 Thread through selecting the -XX options

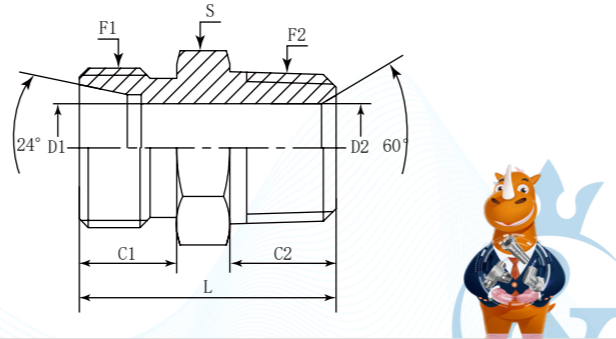
PART NUMBER	F1 (Thread)	F2 (Thread)	C1	C2	D1	D2	L	S
#	Metric	Metric	mm	mm	mm	mm	mm	mm
DMC-06L-M10	M12X1.5	M10X1	10.00	8.00	4.00	4.00	23.50	14.00
DMC-06S-M12	M14X1.5	M12X1.5	12.00	12.00	4.00	4.00	32.00	17.00
DMC-08L-M12	M14X1.5	M12X1.5	10.00	12.00	6.00	6.00	29.00	17.00
DMC-08L-M14	M14X1.5	M14X1.5	10.00	12.00	6.00	6.00	29.00	19.00
DMC-08L-M16	M14X1.5	M16X1.5	10.00	12.00	6.00	8.00	30.00	22.00
DMC-08L-M18	M14X1.5	M18X1.5	10.00	12.00	6.00	8.00	30.50	24.00
DMC-08L-M22	M14X1.5	M22X1.5	10.00	14.00	6.00	14.00	33.00	27.00
DMC-08S-M14	M16X1.5	M14X1.5	12.00	12.00	5.00	5.00	34.00	19.00
DMC-10L-M14	M16X1.5	M14X1.5	11.00	12.00	6.00	6.00	30.00	19.00
DMC-10L-M16	M16X1.5	M16X1.5	11.00	12.00	8.00	8.00	31.00	22.00
DMC-10L-M18	M16X1.5	M18X1.5	11.00	12.00	8.00	8.00	31.50	24.00
DMC-10L-M22	M16X1.5	M22X1.5	11.00	14.00	8.00	14.00	35.00	27.00
DMC-10S-M16	M18X1.5	M16X1.5	12.00	12.00	7.00	7.00	34.50	22.00
DMC-12L-M14	M18X1.5	M14X1.5	11.00	12.00	10.00	7.50	30.00	19.00
DMC-12L-M16	M18X1.5	M16X1.5	11.00	12.00	8.00	8.00	31.50	22.00
DMC-12L-M18	M18X1.5	M18X1.5	11.00	12.00	10.00	10.00	31.50	24.00
DMC-12L-M22	M18X1.5	M22X1.5	11.00	14.00	10.00	10.00	35.00	27.00
DMC-12S-M18	M20X1.5	M18X1.5	12.00	12.00	8.00	8.00	36.50	24.00
DMC-14S-M20	M22X1.5	M20X1.5	14.00	14.00	10.00	10.00	41.00	27.00
DMC-15L-M18	M22X1.5	M18X1.5	12.00	12.00	10.00	10.00	32.50	24.00
DMC-15L-M22	M22X1.5	M22X1.5	12.00	14.00	12.00	12.00	36.00	27.00
DMC-16S-M22	M24X1.5	M22X1.5	14.00	14.00	12.00	12.00	41.00	27.00
DMC-18L-M22	M26X1.5	M22X1.5	12.00	14.00	15.00	15.00	36.00	27.00
DMC-18L-M26	M26X1.5	M26X1.5	12.00	16.00	15.00	15.00	38.00	32.00
DMC-20S-M27	M30X2	M27X2	16.00	16.00	16.00	16.00	47.00	32.00
DMC-25S-M33	M36X2	M33X2	18.00	18.00	20.00	20.00	53.00	41.00
DMC-22L-M26	M30X2	M26X1.5	14.00	16.00	17.00	17.00	40.00	32.00
DMC-28L-M33	M36X2	M33X2	14.00	18.00	23.00	23.00	43.00	41.00
DMC-30S-M42	M42X2	M42X2	20.00	20.00	25.00	25.00	57.00	50.00
DMC-35L-M42	M45X2	M42X2	16.00	20.00	30.00	30.00	48.00	50.00
DMC-38S-M48	M52X2	M48X2	22.00	22.00	32.00	32.00	64.00	55.00
DMC-42L-M48	M52X2	M48X2	16.00	22.00	36.00	36.00	52.00	55.00

DMC-N

Male Connector (NPTF 60°Male) with Form C Stud End



- DME&JDE Code:** DMC-N
- Product Type:** Hydraulic adaptor
- Standard:** DIN 2353
- Structure:** Straight
- Connection Type:** Male x Male
- Thread Types:** Metric x NPTF 60°



PART NUMBER	F1 (Thread)	F2 (Thread)	C1	C2	D1	D2	L	S
#	Metric	NPTF	mm	mm	mm	mm	mm	mm
DMC-04LL-01N	M8X1	1/8"-27	8.00	9.65	3.00	3.00	23.50	12.00
DMC-06L-01N	M12X1.5	1/8"-27	10.00	9.65	4.00	4.00	24.00	12.00
DMC-06L-02N	M12X1.5	1/4"-18	10.00	14.22	4.00	7.14	31.50	14.00
DMC-06LL-01N	M10X1	1/8"-27	8.00	9.65	4.50	4.50	22.00	11.00
DMC-06LL-02N	M10X1	1/4"-18	8.00	14.22	4.50	7.14	29.50	14.00
DMC-06S-02N	M14X1.5	1/4"-18	12.00	14.22	4.00	7.14	34.50	17.00
DMC-08L-01N	M14X1.5	1/8"-27	10.00	9.65	6.00	4.00	26.00	14.00
DMC-08L-02N	M14X1.5	1/4"-18	10.00	14.22	6.00	7.14	30.00	17.00
DMC-08L-03N	M14X1.5	3/8"-18	10.00	14.22	6.00	10.31	32.00	19.00
DMC-08L-04N	M14X1.5	1/2"-14	10.00	19.05	6.00	13.49	36.00	22.00
DMC-08LL-01N	M12X1	1/8"-27	9.00	9.65	4.78	4.78	25.00	12.00
DMC-08S-02N	M16X1.5	1/4"-18	12.00	14.22	5.00	7.14	32.00	17.00
DMC-08S-03N	M16X1.5	3/8"-18	12.00	14.22	5.00	10.31	36.00	19.00
DMC-08S-04N	M16X1.5	1/2"-14	12.00	19.05	5.00	13.49	41.00	22.00
DMC-10L-01N	M16X1.5	1/8"-27	11.00	9.65	8.00	4.00	26.00	17.00
DMC-10L-02N	M16X1.5	1/4"-18	11.00	14.22	8.00	7.14	31.00	17.00
DMC-10L-03N	M16X1.5	3/8"-18	11.00	14.22	8.00	10.31	32.00	19.00
DMC-10L-04N	M16X1.5	1/2"-14	11.00	19.05	8.00	13.49	37.00	22.00
DMC-10S-02N	M18X1.5	1/4"-18	12.00	14.22	7.00	7.00	34.00	19.00
DMC-10S-03N	M18X1.5	3/8"-18	12.00	14.22	7.00	10.31	35.00	19.00
DMC-10S-04N	M18X1.5	1/2"-14	12.00	19.05	7.00	13.49	41.00	22.00
DMC-12L-02N	M18X1.5	1/4"-18	11.00	14.22	10.00	7.14	32.00	19.00
DMC-12L-03N	M18X1.5	3/8"-18	11.00	14.22	10.00	10.00	32.00	19.00
DMC-12L-04N	M18X1.5	1/2"-14	11.00	19.05	10.00	13.49	37.00	22.00

Web: <https://www.dmejde.com>
E-mail: info@dmejde.com



DMC-12L-06N	M18X1.5	3/4"-14	11.00	19.05	10.00	18.26	38.00	27.00
DMC-12S-02N	M20X1.5	1/4"-18	12.00	14.22	7.14	7.14	37.00	22.00
DMC-12S-03N	M20X1.5	3/8"-18	12.00	14.22	8.00	10.31	37.20	22.00
DMC-12S-04N	M20X1.5	1/2"-14	12.00	19.05	8.00	13.49	42.00	22.00
DMC-12S-06N	M20X1.5	3/4"-14	12.00	19.05	8.00	18.26	40.00	27.00
DMC-14S-03N	M22X1.5	3/8"-18	14.00	14.22	10.00	10.00	38.00	24.00
DMC-14S-04N	M22X1.5	1/2"-14	14.00	19.05	10.00	13.49	44.00	24.00
DMC-15L-03N	M22X1.5	3/8"-18	12.00	14.22	12.00	10.31	33.00	24.00
DMC-15L-04N	M22X1.5	1/2"-14	12.00	19.05	12.00	12.00	38.00	24.00
DMC-15L-06N	M22X1.5	3/4"-14	12.00	19.05	12.00	18.26	39.00	30.00
DMC-16S-03N	M24X1.5	3/8"-18	14.00	14.22	12.00	10.31	39.00	27.00
DMC-16S-04N	M24X1.5	1/2"-14	14.00	19.05	12.00	13.49	44.00	27.00
DMC-16S-06N	M24X1.5	3/4"-14	14.00	19.05	12.00	18.26	46.00	32.00
DMC-16S-08N	M24X1.5	1"-11-1/2	4.00	23.88	12.00	23.83	52.00	36.00
DMC-18L-03N	M26X1.5	3/8"-18	12.00	14.22	15.00	10.31	37.00	27.00
DMC-18L-04N	M26X1.5	1/2"-14	12.00	19.05	15.00	13.49	41.00	27.00
DMC-18L-06N	M26X1.5	3/4"-14	12.00	19.05	15.00	18.26	38.00	27.00
DMC-20S-04N	M30X2	1/2"-14	16.00	19.05	13.50	13.50	46.00	32.00
DMC-20S-06N	M30X2	3/4"-14	16.00	19.05	16.00	18.26	48.00	32.00
DMC-20S-08N	M30X2	1"-11-1/2	16.00	23.88	16.00	21.00	51.50	36.00
DMC-22L-04N	M30X2	1/2"-14	14.00	19.05	19.00	13.49	41.00	32.00
DMC-22L-06N	M30X2	3/4"-14	14.00	19.05	18.26	18.26	41.00	32.00
DMC-22L-08N	M30X2	1"-11-1/2	14.00	23.88	19.00	19.00	49.50	36.00
DMC-25S-06N	M36X2	3/4"-14	18.00	19.05	20.00	18.26	51.00	41.00
DMC-25S-08N	M36X2	1"-11-1/2	18.00	23.88	20.00	23.83	56.00	41.00
DMC-25S-10N	M36X2	1-1/4"-11-1/2	18.00	24.64	20.00	31.75	56.50	46.00
DMC-25S-12N	M36X2	1-1/2"-11-1/2	18.00	25.40	20.00	38.10	60.50	50.00
DMC-28L-06N	M36X2	3/4"-14	14.00	19.05	24.00	18.26	42.00	41.00
DMC-28L-08N	M36X2	1"-11-1/2	14.00	23.88	23.83	23.83	48.00	41.00
DMC-28L-10N	M36X2	1-1/4"-11-1/2	14.00	24.64	24.00	31.75	48.00	46.00
DMC-30S-06N	M42X2	3/4"-14	20.00	19.05	25.00	18.26	53.00	46.00
DMC-30S-08N	M42X2	1"-11-1/2	20.00	23.88	25.00	23.83	58.00	46.00
DMC-30S-10N	M42X2	1-1/4"-11-1/2	20.00	25.50	25.00	25.00	60.00	46.00
DMC-30S-12N	M42X2	1-1/2"-11-1/2	20.00	25.40	25.00	38.10	62.00	50.80
DMC-35L-08N	M45X2	1"-11-1/2	16.00	23.88	30.00	23.83	49.00	46.00
DMC-35L-10N	M45X2	1-1/4"-11-1/2	16.00	24.64	30.00	30.00	51.00	46.00
DMC-38S-10N	M52X2	1-1/4"-11-1/2	22.00	24.64	31.75	31.75	64.00	55.00
DMC-38S-12N	M52X2	1-1/2"-11-1/2	22.00	25.40	32.00	38.10	64.50	55.00
DMC-42L-10N	M52X2	1-1/4"-11-1/2	16.00	24.64	36.00	31.75	55.00	55.00
DMC-42L-12N	M52X2	1-1/2"-11-1/2	16.00	25.40	36.00	38.10	52.50	55.00



Web: <https://www.dmejde.com>
E-mail: info@dmejde.com

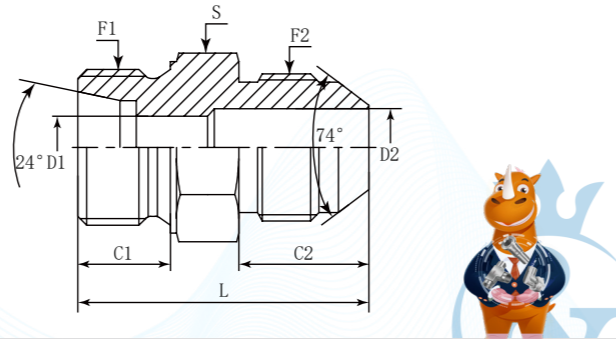


DMC-JC

Male Connector (JIC male)



- DME&JDE Code:** DMC-JC
- Product Type:** Hydraulic adaptor
- Standard:** DIN 2353
- Structure:** Straight
- Connection Type:** Male x Male
- Thread Types:** Metric x UNF



PART NUMBER	F1 (Thread)	F2 (Thread)	C	L	D1	D2	S	S1
#	Metric	UNF	mm	mm	mm	mm	mm	mm
DMC-04LL-04JC	M8X1	7/16"-20	8.00	13.97	3.00	4.37	29.00	12.00
DMC-06L-04JC	M12X1.5	7/16"-20	10.00	13.97	4.00	4.00	30.00	14.00
DMC-06S-04JC	M14X1.5	7/16"-20	12.00	13.97	4.00	4.00	33.00	19.00
DMC-06S-06JC	M14X1.5	9/16"-18	12.00	14.12	4.00	7.54	35.00	19.00
DMC-08L-04JC	M14X1.5	7/16"-20	10.00	13.97	6.00	4.37	30.00	14.00
DMC-08L-06JC	M14X1.5	9/16"-18	10.00	14.22	6.00	7.54	31.00	15.88
DMC-08LL-04JC	M12X1	7/16"-20	9.00	13.97	4.37	4.37	31.00	17.00
DMC-08LL-06JC	M12X1	9/16"-18	9.00	14.12	6.00	7.54	31.00	17.00
DMC-08S-04JC	M16X1.5	7/16"-20	12.00	13.97	4.37	4.37	36.00	22.00
DMC-08S-06JC	M16X1.5	9/16"-18	12.00	14.12	5.00	7.54	36.00	22.00
DMC-10L-04JC	M16X1.5	7/16"-20	11.00	13.97	8.00	4.37	32.00	22.00
DMC-10L-06JC	M16X1.5	9/16"-18	11.00	14.12	7.54	7.54	32.50	17.00
DMC-10L-08JC	M16X1.5	3/4"-16	11.00	16.69	8.00	9.93	37.50	22.00
DMC-10LL-04JC	M14X1.5	7/16"-20	11.00	13.97	8.00	4.37	32.00	19.00
DMC-10S-04JC	M18X1.5	7/16"-20	12.00	13.97	7.00	4.37	35.00	24.00
DMC-10S-06JC	M18X1.5	9/16"-18	12.00	14.12	7.00	7.00	35.00	24.00
DMC-10S-08JC	M18X1.5	3/4"-16	12.00	16.69	7.00	9.93	38.00	24.00
DMC-12L-06JC	M18X1.5	9/16"-18	11.00	14.12	10.00	7.54	32.00	19.00
DMC-12L-08JC	M18X1.5	3/4"-16	11.00	16.69	9.93	9.93	39.00	24.00

Web: <https://www.dmejde.com>
E-mail: info@dmejde.com



DMC-12S-06JC	M20X1.5	9/16"-18	12.00	14.12	7.54	7.54	36.10	22.00
DMC-12S-08JC	M20X1.5	3/4"-16	12.00	16.69	8.00	9.93	38.50	22.00
DMC-12S-10JC	M20X1.5	7/8"-14	12.00	19.25	8.00	12.29	41.50	27.00
DMC-14S-06JC	M22X1.5	9/16"-18	14.00	14.12	10.00	7.54	40.00	27.00
DMC-14S-08JC	M22X1.5	3/4"-16	14.00	16.69	9.93	9.93	41.00	27.00
DMC-14S-10JC	M22X1.5	7/8"-14	14.00	19.25	10.00	12.29	43.50	27.00
DMC-15L-06JC	M22X1.5	9/16"-18	12.00	14.12	12.00	7.54	36.00	27.00
DMC-15L-08JC	M22X1.5	3/4"-16	12.00	16.69	12.00	9.93	39.00	27.00
DMC-15L-10JC	M22X1.5	7/8"-14	12.00	19.25	12.00	12.00	38.50	24.00
DMC-15L-12JC	M22X1.5	1-1/16"-12	12.00	21.95	12.00	15.47	44.50	27.00
DMC-16L-12JC	M24X1.5	1-1/16"-12	12.00	21.95	12.00	15.47	45.00	30.00
DMC-16S-08JC	M24X1.5	3/4"-16	14.00	16.69	12.00	9.93	42.00	30.00
DMC-16S-10JC	M24X1.5	7/8"-14	14.00	19.25	12.00	12.00	45.50	30.00
DMC-16S-12JC	M24X1.5	1-1/16"-12	14.00	21.95	12.00	15.47	47.50	30.00
DMC-18L-08JC	M26X1.5	3/4"-16	12.00	16.69	15.00	9.93	41.00	32.00
DMC-18L-10JC	M26X1.5	7/8"-14	12.00	19.25	15.00	12.29	43.50	32.00
DMC-18L-12JC	M26X1.5	1-1/16"-12	12.00	21.95	15.00	15.00	48.00	32.00
DMC-20S-10JC	M30X2	7/8"-14	16.00	19.25	16.00	12.29	49.00	36.00
DMC-20S-12JC	M30X2	1-1/16"-12	16.00	21.95	15.47	15.47	50.00	36.00
DMC-22L-12JC	M30X2	1-1/16"-12	14.00	21.95	19.00	15.47	47.80	36.00
DMC-22L-16JC	M30X2	1-5/16"-12	14.00	23.14	19.00	21.44	49.00	36.00
DMC-25S-12JC	M36X2	1-1/16"-12	18.00	21.95	20.00	15.47	54.00	41.00
DMC-25S-16JC	M36X2	1-5/16"-12	18.00	23.14	20.00	20.00	53.50	41.00
DMC-25S-20JC	M36X2	1-5/8"-12	18.00	24.33	20.00	27.38	54.50	46.00
DMC-27L-20JC	M38X1.5	1-5/8"-12	14.00	24.33	23.00	23.00	52.00	46.00
DMC-27L-24JC	M38X1.5	1-7/8"-12	14.00	27.51	23.00	33.32	56.00	50.00
DMC-28L-16JC	M36X2	1-5/16"-12	14.00	23.14	24.00	21.44	51.00	41.00
DMC-30S-16JC	M42X2	1-5/16"-12	20.00	23.14	25.00	21.44	58.00	50.00
DMC-35L-20JC	M45X2	1-5/8"-12	16.00	24.33	30.00	27.38	57.00	55.00
DMC-38S-20JC	M52X2	1-5/8"-12	22.00	24.33	32.00	27.38	64.00	60.00
DMC-38S-32JC	M52X2	2-1/2"-12	22.00	33.86	32.00	45.25	74.50	65.00
DMC-42L-20JC	M52X2	1-5/8"-12	16.00	24.33	36.00	27.38	58.00	60.00



Web: <https://www.dmejde.com>
E-mail: info@dmejde.com

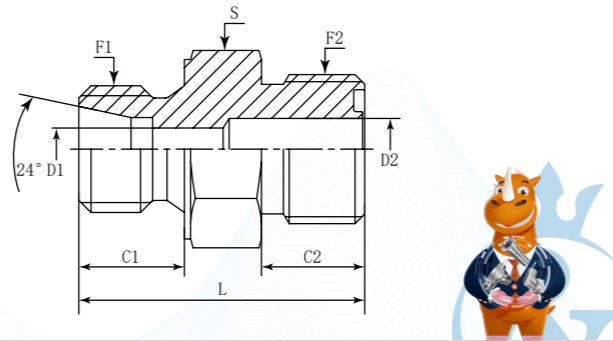


DMC-FS

DIN2353 Male Connector ORFS Male



- DME&JDE Code: **DMC-FS**
- Product Type: **Hydraulic adaptor**
- Standard: **DIN 2353**
- Structure: **Straight**
- Connection Type: **Male x Male**
- Thread Types: **Metric x UNF**



PART NUMBER	F1 (Thread)	F2 (Thread)	C1	C2	D1	D2	L	S
#	METRIC	UNF	mm	mm	mm	mm	mm	mm
DMC-06L-04FS	M12 x 1.5	9/16"-18	10.00	9.80	4.00	4.00	30.00	17
DMC-06S-04FS	M14 x 1.5	9/16"-18	12.00	9.80	4.00	4.00	32.50	19
DMC-08L-04FS	M14 x 1.5	9/16"-18	10.00	9.80	4.37	4.37	30.00	19
DMC-08L-06FS	M14 x 1.5	11/16"-16	10.00	11.20	6.00	6.00	31.50	19
DMC-08S-04FS	M16 x 1.5	9/16"-18	12.00	9.80	4.37	4.37	32.50	22
DMC-08S-06FS	M16 x 1.5	11/16"-16	12.00	11.20	5.00	5.00	34.00	22
DMC-10L-06FS	M16 x 1.5	11/16"-16	11.00	11.20	6.71	6.71	32.00	22
DMC-10L-08FS	M16 x 1.5	13/16"-16	11.00	12.80	8.00	8.00	34.00	22
DMC-10S-06FS	M18 x 1.5	11/16"-16	12.00	11.20	6.71	6.71	34.00	24
DMC-12L-06FS	M18 x 1.5	11/16"-16	11.00	11.20	10.00	6.71	32.50	24
DMC-12L-08FS	M18 x 1.5	13/16"-16	11.00	12.80	9.60	9.60	34.00	24
DMC-12L-12FS	M18 x 1.5	13/16"-12	11.00	17.02	10.00	15.47	41.50	32
DMC-12S-08FS	M20 x 1.5	13/16"-16	12.00	12.80	8.00	8.00	37.00	27
DMC-12S-10FS	M20 x 1.5	1"-14	12.00	15.49	8.00	12.29	39.50	27
DMC-14S-08FS	M22 x 1.5	13/16"-16	14.00	12.80	9.60	9.60	39.00	27
DMC-14S-10FS	M22 x 1.5	1"-14	14.00	15.50	10.00	12.50	44.00	27
DMC-15L-08FS	M22 x 1.5	13/16"-16	12.00	12.80	12.00	9.60	37.00	27
DMC-15L-10FS	M22 x 1.5	1"-14	12.00	15.50	12.00	12.00	39.00	27
DMC-16S-10FS	M24 x 1.5	1"-14	14.00	15.50	12.00	12.00	44.00	27
DMC-18L-08FS	M26 x 1.5	13/16"-16	12.00	13.00	15.00	9.50	42.00	32
DMC-18L-12FS	M26 x 1.5	13/16"-12	12.00	17.02	15.00	15.00	42.00	32
DMC-20S-12FS	M30 x 2	13/16"-12	16.00	17.02	15.47	15.47	47.00	36
DMC-22L-12FS	M30 x 2	13/16"-12	14.00	17.02	19.00	15.47	45.00	36
DMC-22L-16FS	M30 x 2	17/16"-12	14.00	17.50	19.00	19.00	46.00	38
DMC-25S-12FS	M36 x 2	13/16"-12	18.00	17.02	20.00	15.47	52.00	42
DMC-25S-16FS	M36 x 2	17/16"-12	18.00	17.50	20.00	20.00	52.50	42
DMC-28L-12FS	M36 x 2	13/16"-12	14.00	17.02	24.00	15.47	48.00	42
DMC-28L-16FS	M36 x 2	17/16"-12	14.00	17.50	24.00	20.60	48.50	42
DMC-28L-20FS	M36 x 2	111/16"-12	14.00	17.50	24.00	26.00	48.00	46
DMC-30S-16FS	M42 x 2	17/16"-12	20.00	17.50	25.00	20.60	54.50	50
DMC-30S-20FS	M42 x 2	111/16"-12	20.00	17.50	25.00	25.00	54.00	46
DMC-35L-16FS	M45 x 2	17/16"-12	16.00	17.50	30.00	20.60	53.50	55
DMC-35L-24FS	M45 x 2	2"-12	16.00	17.50	30.00	32.00	51.50	55
DMC-38S-24FS	M52 x 2	2"-12	22.00	17.50	32.00	32.00	57.50	55
DMC-42L-24FS	M52 x 2	2"-12	16.00	17.50	36.00	32.00	51.50	55

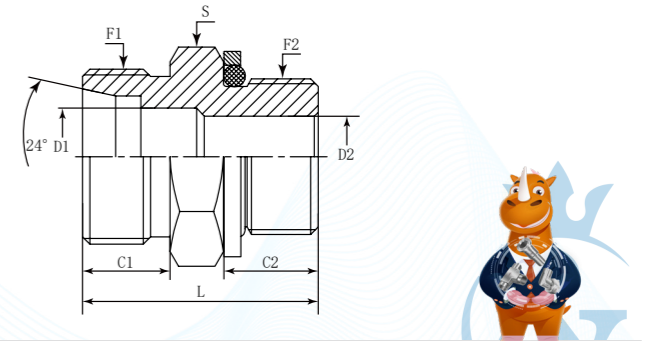


DMC-GQ

DIN 2353 Male Connector (BSPP Male) with O Ring and Retaining Ring



- DME&JDE Code: **DMC-GQ**
- Product Type: **Hydraulic adaptor**
- Standard: **DIN 2353**
- Structure: **Straight**
- Connection Type: **Male x Male**
- Thread Type: **Metric x BSPP**
- Sealing Method: **O Ring + Retaining Ring**



PART NUMBER	F1 (Thread)	F2 (Thread)	C1	C2	D1	D2	L	S
#	METRIC	BSPP	mm	mm	mm	mm	mm	mm
DMC-06L-01GQ	M12X1.5	1/8"-28	10.00	7.60	4.00	4.00	22.50	14
DMC-06L-02GQ	M12X1.5	1/4"-19	10.00	11.20	4.00	7.50	30.00	19
DMC-06S-02GQ	M14X1.5	1/4"-19	12.00	11.20	4.00	6.50	30.00	19
DMC-08L-02GQ	M14X1.5	1/4"-19	10.00	11.20	6.00	6.00	27.00	19
DMC-08S-02GQ	M14X1.5	3/8"-19	10.00	11.20	6.00	6.00	30.00	22
DMC-08S-02GQ	M16X1.5	1/4"-19	12.00	11.20	5.00	7.50	32.00	19
DMC-10L-02GQ	M16X1.5	1/4"-19	11.00	11.20	7.50	7.50	29.00	19
DMC-10L-03GQ	M16X1.5	3/8"-19	11.00	11.20	8.00	8.00	30.00	22
DMC-10S-02GQ	M18X1.5	1/4"-19	12.00	11.20	7.00	7.00	32.00	19
DMC-10S-03GQ	M18X1.5	3/8"-19	12.00	11.20	7.00	9.90	32.50	22
DMC-12L-03GQ	M18X1.5	3/8"-19	11.00	11.20	9.90	9.90	30.00	22
DMC-12L-04GQ	M18X1.5	1/2"-14	11.00	14.50	10.00	12.00	34.50	27
DMC-12S-03GQ	M20X1.5	3/8"-19	12.00	11.20	8.00	8.00	36.00	22
DMC-12S-04GQ	M20X1.5	1/2"-14	12.00	14.50	8.00	12.00	39.00	27
DMC-14S-04GQ	M22X1.5	1/2"-14	14.00	14.50	10.00	12.00	39.00	27
DMC-15L-03GQ	M22X1.5	3/8"-19	12.00	11.20	12.00	7.50	31.00	24
DMC-15L-04GQ	M22X1.5	1/2"-14	12.00	14.50	12.00	12.00	34.50	27
DMC-16S-04GQ	M24X1.5	1/2"-14	14.00	14.50	12.00	12.00	38.50	27
DMC-18L-04GQ	M26X1.5	1/2"-14	12.00	14.50	15.00	12.00	36.00	27
DMC-18L-06GQ	M26X1.5	3/4"-14	12.00	14.50	15.00	15.00	37.50	36
DMC-20S-06GQ	M30X2	3/4"-14	16.00	15.50	16.00	16.00	45.00	36
DMC-22L-06GQ	M30X2	3/4"-14	14.00	15.50	19.00	15.50	39.50	36
DMC-25S-06GQ	M36X2	3/4"-14	18.00	15.50	20.00	15.50	49.50	41
DMC-25S-08GQ	M36X2	1"-11	18.00	18.60	20.00	20.00	50.50	41
DMC-28L-08GQ	M36X2	1"-11	14.00	18.60	24.00	21.50	41.00	41
DMC-30S-10GQ	M42X2	11/4"-11	20.00	18.60	25.00	27.50	53.10	50
DMC-35L-10GQ	M45X2	11/4"-11	16.00	18.60	30.00	27.50	48.00	50
DMC-38S-12GQ	M52X2	11/2"-11	22.00	18.60	32.00	32.00	58.10	55
DMC-42L-12GQ	M52X2	11/2"-11	16.00	18.60	36.00	33.00	49.50	55

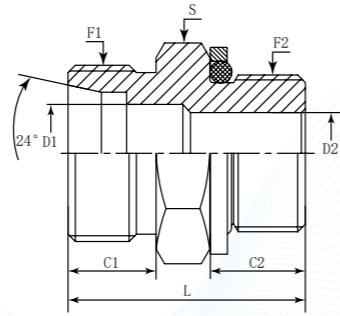


DMC-MQ

DIN 2353 Male Connector Metric Male with O Ring and Retaining Ring



- DME&JDE Code: **DMC-MQ**
- Product Type: **Hydraulic adaptor**
- Standard: **DIN 2353**
- Structure: **Straight**
- Connection Type: **Male x Male**
- Thread Types: **Metric x Metric**
- Sealing Method: **O Ring + Retaining Ring**



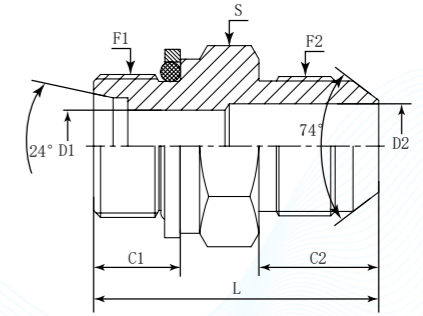
PART NUMBER	F1 (Thread)	F2 (Thread)	C1	C2	D1	D2	L	S
#	METRIC	METRIC	mm	mm	mm	mm	mm	mm
DMC-06L-M10Q	M12X1.5	M10X1	10.00	8.00	4.00	4.00	23.50	14
DMC-06S-M12Q	M14X1.5	M12X1.5	12.00	11.00	4.00	6.00	29.50	17
DMC-08L-M12Q	M14X1.5	M12X1.5	10.00	11.00	6.00	6.00	26.50	17
DMC-08S-M14Q	M16X1.5	M14X1.5	12.00	11.00	5.00	5.00	31.50	19
DMC-10L-M14Q	M16X1.5	M14X1.5	11.00	11.00	7.50	7.50	30.00	19
DMC-10L-M22Q	M16X1.5	M22X1.5	11.00	13.00	8.00	14.00	34.50	27
DMC-10S-M16Q	M18X1.5	M16X1.5	12.00	11.50	7.00	9.00	33.50	22
DMC-12L-M16Q	M18X1.5	M16X1.5	11.00	11.50	10.00	7.00	31.00	22
DMC-12L-M22Q	M18X1.5	M22X1.5	11.00	13.00	10.00	14.00	34.50	27
DMC-12S-M18Q	M20X1.5	M18X1.5	12.00	14.00	8.00	8.00	36.00	24
DMC-14S-M20Q	M22X1.5	M20X1.5	14.00	14.00	10.00	12.00	39.50	27
DMC-15L-M18Q	M22X1.5	M18X1.5	12.00	12.00	10.00	10.00	33.00	24
DMC-15L-M22Q	M22X1.5	M22X1.5	12.00	13.00	12.00	12.00	35.00	27
DMC-16S-M22Q	M24X1.5	M22X1.5	14.00	13.00	12.00	12.00	37.00	27
DMC-18L-M22Q	M26X1.5	M22X1.5	12.00	13.00	14.00	14.00	35.00	27
DMC-20S-M27Q	M30X2	M27X2	16.00	18.50	16.00	16.00	47.00	32
DMC-22L-M22Q	M30X2	M22X1.5	14.00	13.00	19.00	14.00	38.00	32
DMC-22L-M26Q	M30X2	M26X1.5	14.00	16.00	19.00	17.00	40.50	32
DMC-22L-M27Q	M30X2	M27X2	14.00	18.00	18.00	13.00	40.50	32
DMC-25S-M33Q	M36X2	M33X2	18.00	18.50	20.00	20.00	51.50	41
DMC-28L-M33Q	M36X2	M33X2	14.00	16.00	23.00	23.00	41.00	41
DMC-30S-M42Q	M42X2	M42X2	20.00	16.00	25.00	30.00	54.00	50
DMC-35L-M42Q	M45X2	M42X2	16.00	16.00	30.00	30.00	45.00	50
DMC-38S-M48Q	M52X2	M48X2	22.00	17.50	32.00	36.00	61.50	55
DMC-42L-M48Q	M52X2	M48X2	16.00	17.50	36.00	36.00	49.50	55

DMCQ-JC

DIN 2353 Male Connector O Ring and Retaining Ring (JIC male)



- DME&JDE Code: **DMCQ-JC**
- Product Type: **Hydraulic adaptor**
- Standard: **DIN 2353**
- Structure: **Straight**
- Connection Type: **Male x Male**
- Thread Type: **Metric x UNF**
- Sealing Method: **O Ring + Retaining Ring**



PART NUMBER	F1 (Thread)	F2 (Thread)	C1	C2	D1	D2	L	S
#	METRIC	UNF	mm	mm	mm	mm	mm	mm
DMCQ-06LL-04JC	M10X1	7/16"-20	8.00	13.97	4.37	4.37	30.50	14
DMCQ-06L-04JC	M12X1.5	7/16"-20	11.00	13.97	4.00	4.00	35.00	19
DMCQ-06S-04JC	M14X1.5	7/16"-20	12.00	13.97	4.00	4.00	34.00	17
DMCQ-08LL-04JC	M12X1	7/16"-20	11.00	13.97	5.30	4.37	32.50	17
DMCQ-08LL-06JC	M12X1	9/16"-18	11.00	14.12	5.30	7.54	33.00	17
DMCQ-08L-04JC	M14X1.5	7/16"-20	11.00	13.97	6.00	4.37	35.00	19
DMCQ-08L-06JC	M14X1.5	9/16"-18	11.00	14.12	6.00	7.54	35.00	19
DMCQ-08S-04JC	M16X1.5	7/16"-20	12.00	13.97	4.37	4.37	34.00	17
DMCQ-08S-06JC	M16X1.5	9/16"-18	11.50	14.12	5.00	5.00	34.50	22
DMCQ-10LL-04JC	M14X1.5	7/16"-20	11.00	13.97	8.00	4.37	33.50	19
DMCQ-10L-06JC	M16X1.5	9/16"-18	11.00	14.12	7.54	7.54	35.00	22
DMCQ-10L-08JC	M16X1.5	3/4"-16	11.00	16.69	8.00	8.00	38.00	22
DMCQ-10S-06JC	M18X1.5	9/16"-18	12.50	14.12	7.00	7.00	35.50	24
DMCQ-10S-08JC	M18X1.5	3/4"-16	12.00	16.69	7.00	9.93	38.00	22
DMCQ-12L-06JC	M18X1.5	9/16"-18	12.00	14.12	10.00	7.54	37.50	24
DMCQ-12L-08JC	M18X1.5	3/4"-16	11.00	16.69	9.93	9.93	37.00	24

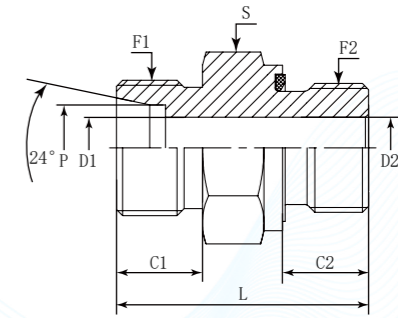
DMCQ-12S-06JC	M20X1.5	9/16"-18	12.50	14.12	7.54	7.54	36.00	27
DMCQ-12S-08JC	M20X1.5	3/4"-16	12.50	16.69	8.00	9.93	38.50	27
DMCQ-12S-10JC	M20X1.5	7/8"-14	12.50	19.25	8.00	12.29	42.50	27
DMCQ-14S-06JC	M22X1.5	9/16"-18	14.00	14.12	10.00	7.54	37.00	27
DMCQ-14S-10JC	M22X1.5	7/8"-14	14.00	19.25	10.00	12.29	44.00	24
DMCQ-15L-06JC	M22X1.5	9/16"-18	14.00	14.12	12.00	7.54	39.50	27
DMCQ-15L-08JC	M22X1.5	3/4"-16	12.00	16.69	12.00	9.93	39.00	27
DMCQ-15L-10JC	M22X1.5	7/8"-14	13.00	19.25	12.00	12.00	44.50	27
DMCQ-15L-12JC	M22X1.5	11/16"-12	13.00	21.95	12.00	15.47	47.00	27
DMCQ-16S-08JC	M24X1.5	3/4"-16	14.00	16.69	12.00	9.93	43.50	32
DMCQ-16S-10JC	M24X1.5	7/8"-14	14.00	19.25	12.00	12.00	46.00	30
DMCQ-16S-12JC	M24X1.5	11/16"-12	14.00	21.95	12.00	15.47	49.50	32
DMCQ-18L-10JC	M26X1.5	7/8"-14	14.00	19.25	15.00	12.29	46.50	32
DMCQ-18L-12JC	M26X1.5	11/16"-12	14.00	21.95	15.00	15.00	49.50	32
DMCQ-18L-16JC	M26X1.5	15/16"-12	14.00	23.14	15.00	21.44	53.50	36
DMCQ-20S-12JC	M30X2	11/16"-12	16.00	21.95	15.47	15.47	52.00	36
DMCQ-20S-16JC	M30X2	15/16"-12	16.00	23.14	16.00	21.44	51.50	36
DMCQ-22L-12JC	M30X2	11/16"-12	16.00	21.95	19.00	15.47	52.00	36
DMCQ-25S-12JC	M36X2	11/16"-12	17.00	21.95	20.00	15.47	50.00	41
DMCQ-25S-16JC	M36X2	15/16"-12	17.00	23.14	20.00	21.44	53.00	41
DMCQ-28L-16JC	M36X2	15/16"-12	14.00	23.14	24.00	21.44	53.50	41
DMCQ-30S-16JC	M42X2	15/16"-12	17.50	23.14	25.00	21.44	54.50	50
DMCQ-30S-20JC	M42X2	15/8"-12	17.50	24.33	25.00	27.38	56.00	50
DMCQ-35L-20JC	M45X2	15/8"-12	16.00	24.33	30.00	27.38	51.00	46
DMCQ-38S-20JC	M52X2	15/8"-12	22.00	24.33	32.00	27.38	67.00	60
DMCQ-38S-24JC	M52X2	21/2"-12	22.00	27.50	32.00	32.00	70.00	60
DMCQ-42L-24JC	M52X2	17/8"-12	16.00	27.50	36.00	33.32	58.50	55

DMC-GED

Male Connector (BSPP Male) with ED Ring



- DME&JDE Code:** DMC-GED
- Product Type:** Hydraulic adaptor
- Standard:** DIN 2353
- Structure:** Straight
- Connection Type:** Male x Male
- Thread Types:** Metric x BSPP + ED Ring
- Sealing Method:** ED Rings



PART NUMBER	F1 (Thread)	F1 (Thread)	P	C1	C2	D1	D2	L	S
#	Metric	BSPP	mm	mm	mm	mm	mm	mm	mm
DMC-04LL-01GED	M8X1	1/8"-28	4.10	8.00	8.00	3.00	3.00	21.50	14.00
DMC-06L-01GED	M12X1.5	1/8"-28	6.00	10.00	8.00	4.00	4.00	23.50	14.00
DMC-06L-02GED	M12X1.5	1/4"-19	6.00	10.00	12.00	4.00	6.00	29.00	19.00
DMC-06L-03GED	M12X1.5	3/8"-19	6.00	10.00	12.00	4.00	9.00	30.50	22.00
DMC-06LL-01GED	M10X1	1/8"-28	6.00	8.00	8.00	4.00	4.00	21.50	14.00
DMC-06S-02GED	M14X1.5	1/4"-19	6.00	12.00	12.00	4.00	7.50	32.00	19.00
DMC-08L-01GED	M14X1.5	1/8"-28	8.00	10.00	8.00	6.00	4.00	24.50	14.00
DMC-08L-02GED	M14X1.5	1/4"-19	8.00	10.00	12.00	6.00	6.00	29.00	19.00
DMC-08L-03GED	M14X1.5	3/8"-19	8.00	10.00	12.00	6.00	9.00	30.50	22.00
DMC-08L-04GED	M14X1.5	1/2"-14	8.00	10.00	14.00	6.00	12.00	33.00	27.00
DMC-08LL-01GED	M12X1	1/8"-28	8.00	9.00	8.00	6.00	4.00	23.50	14.00
DMC-08S-02GED	M16X1.5	1/4"-19	8.00	12.00	12.00	5.00	5.00	34.00	19.00
DMC-08S-03GED	M16X1.5	3/8"-19	8.00	12.00	12.00	5.00	9.00	34.50	22.00
DMC-10L-01GED	M16X1.5	1/8"-28	10.00	11.00	8.00	8.00	4.40	26.00	17.00
DMC-10L-02GED	M16X1.5	1/4"-19	10.00	11.00	12.00	6.00	6.00	30.00	19.00
DMC-10L-03GED	M16X1.5	3/8"-19	10.00	11.00	12.00	8.00	8.00	31.50	22.00
DMC-10L-04GED	M16X1.5	1/2"-14	10.00	11.00	14.00	8.00	12.00	34.00	27.00
DMC-10S-02GED	M18X1.5	1/4"-19	10.00	12.00	12.00	7.00	5.00	34.00	19.00
DMC-10S-03GED	M18X1.5	3/8"-19	10.00	12.00	12.00	7.00	9.90	34.50	22.00
DMC-10S-04GED	M18X1.5	1/2"-14	10.00	12.00	14.00	7.00	12.30	39.00	27.00
DMC-12L-02GED	M18X1.5	1/4"-19	12.00	11.00	12.00	7.50	7.50	31.00	19.00
DMC-12L-03GED	M18X1.5	3/8"-19	12.00	11.00	12.00	10.00	10.00	31.50	22.00
DMC-12L-04GED	M18X1.5	1/2"-14	12.00	11.00	14.00	10.00	10.00	34.00	27.00
DMC-12L-06GED	M18X1.5	3/4"-14	12.00	11.00	16.00	10.00	16.70	37.00	32.00
DMC-12S-02GED	M20X1.5	1/4"-19	12.00	12.00	12.00	6.00	6.00	36.00	22.00
DMC-12S-03GED	M20X1.5	3/8"-19	12.00	12.00	12.00	8.00	8.00	36.50	22.00

DMC-12S-04GED	M20X1.5	1/2"-14	12.00	12.00	14.00	8.00	12.00	39.00	27.00
DMC-12S-06GED	M20X1.5	3/4"-14	12.00	12.00	16.00	8.00	16.00	43.00	32.00
DMC-14S-02GED	M22X1.5	1/4"-19	14.00	14.00	12.00	10.00	5.00	38.00	24.00
DMC-14S-03GED	M22X1.5	3/8"-19	14.00	14.00	12.00	9.00	9.00	33.50	24.00
DMC-14S-04GED	M22X1.5	1/2"-14	14.00	14.00	14.00	10.00	10.00	41.00	27.00
DMC-15L-03GED	M22X1.5	3/8"-19	15.00	12.00	12.00	12.00	9.00	31.50	24.00
DMC-15L-04GED	M22X1.5	1/2"-14	15.00	12.00	14.00	12.00	12.00	35.00	27.00
DMC-15L-06GED	M22X1.5	3/4"-14	15.00	12.00	16.00	12.00	12.00	38.00	32.00
DMC-16L-04GED	M22X1.5	1/2"-14	16.00	12.00	14.00	12.00	12.00	36.00	27.00
DMC-16S-02GED	M24X1.5	1/4"-19	16.00	14.00	12.00	12.00	5.00	38.50	27.00
DMC-16S-03GED	M24X1.5	3/8"-19	16.00	14.00	12.00	12.00	9.00	38.50	27.00
DMC-16S-04GED	M24X1.5	1/2"-14	16.00	14.00	14.00	12.00	12.00	41.00	27.00
DMC-16S-06GED	M24X1.5	3/4"-14	16.00	14.00	16.00	12.00	16.00	45.00	32.00
DMC-16S-08GED	M24X1.5	1"-11	16.00	14.00	18.00	12.00	20.00	48.00	41.00
DMC-18L-03GED	M26X1.5	3/8"-19	18.00	12.00	12.00	15.00	9.00	34.00	27.00
DMC-18L-04GED	M26X1.5	1/2"-14	18.00	12.00	14.00	12.00	12.00	36.00	27.00
DMC-18L-06GED	M26X1.5	3/4"-14	18.00	12.00	16.00	15.00	15.00	38.00	32.00
DMC-18L-08GED	M26X1.5	1"-11	18.00	12.00	18.00	15.00	20.00	41.00	41.00
DMC-20S-04GED	M30X2	1/2"-14	20.00	16.00	14.00	16.00	12.30	45.00	32.00
DMC-20S-06GED	M30X2	3/4"-14	20.00	16.00	16.00	16.00	16.00	47.00	32.00
DMC-20S-08GED	M30X2	1"-11	20.00	16.00	18.00	16.00	20.00	49.00	41.00
DMC-22L-04GED	M30X2	1/2"-14	22.00	14.00	14.00	19.00	12.00	38.00	32.00
DMC-22L-06GED	M30X2	3/4"-14	22.00	14.00	16.00	18.00	18.00	40.00	32.00
DMC-22L-08GED	M30X2	1"-11	22.00	14.00	18.00	19.00	21.50	43.00	41.00
DMC-25S-04GED	M36X2	1/2"-14	25.00	18.00	14.00	20.00	12.30	49.00	41.00
DMC-25S-06GED	M36X2	3/4"-14	25.00	18.00	16.00	20.00	15.50	51.00	41.00
DMC-25S-08GED	M36X2	1"-11	25.00	18.00	18.00	20.00	20.00	53.00	41.00
DMC-25S-10GED	M36X2	1-1/4"-11	25.00	18.00	20.00	20.00	25.00	55.00	50.00
DMC-28L-06GED	M36X2	3/4"-14	28.00	14.00	16.00	24.00	15.50	41.00	41.00
DMC-28L-08GED	M36X2	1"-11	28.00	14.00	18.00	23.00	23.00	43.00	41.00
DMC-28L-10GED	M36X2	1-1/4"-11	28.00	14.00	20.00	24.00	28.00	46.00	50.00
DMC-30S-06GED	M42X2	3/4"-14	30.00	20.00	16.00	25.00	15.50	53.00	46.00
DMC-30S-08GED	M42X2	1"-11	30.00	20.00	18.00	25.00	20.00	55.00	46.00
DMC-30S-10GED	M42X2	1-1/4"-11	30.00	20.00	20.00	25.00	25.00	57.00	50.00
DMC-35L-08GED	M45X2	1"-11	35.30	16.00	18.00	30.00	21.50	46.50	46.00
DMC-35L-10GED	M45X2	1-1/4"-11	35.30	16.00	20.00	30.00	30.00	48.00	50.00
DMC-35L-12GED	M45X2	1-1/2"-11	35.30	16.00	22.00	30.00	35.00	52.00	55.00
DMC-38S-08GED	M52X2	1"-11	38.30	22.00	18.00	32.00	20.00	60.00	55.00
DMC-38S-10GED	M52X2	1-1/4"-11	38.30	22.00	20.00	32.00	25.00	62.00	55.00
DMC-38S-12GED	M52X2	1-1/2"-11	38.30	22.00	22.00	32.00	32.00	64.00	55.00
DMC-42L-10GED	M52X2	1-1/4"-11	42.30	16.00	20.00	36.00	30.00	50.00	55.00
DMC-42L-12GED	M52X2	1-1/2"-11	42.30	16.00	22.00	36.00	36.00	52.00	55.00

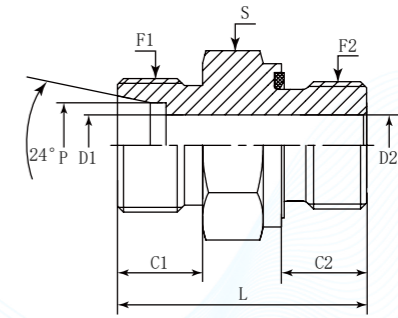


DMC-MED

Metric Male Connector with ED Ring



- DME&JDE Code:** DMC-MED
- Product Type:** Hydraulic adaptor
- Standard:** DIN 2353
- Structure:** Straight
- Connection Type:** Male x Male
- Thread Types:** Metric x Metric
- Sealing Method:** ED Rings



PART NUMBER	F1 (Thread)	F2 (Thread)	P	C1	C2	D1	D2	L	S
#	Metric	Metric	mm	mm	mm	mm	mm	mm	mm
DMC-06L-M10ED	M12X1.5	M10X1	6.00	10.00	8.00	4.00	4.00	23.50	14.00
DMC-06L-M12ED	M12X1.5	M12X1.5	6.00	10.00	12.00	4.00	4.00	30.00	17.00
DMC-08L-M10ED	M14X1.5	M10X1	8.00	10.00	8.00	4.00	4.00	24.50	14.00
DMC-08L-M12ED	M14X1.5	M12X1.5	8.00	10.00	12.00	6.00	6.00	29.00	17.00
DMC-08L-M14ED	M14X1.5	M14X1.5	8.00	10.00	12.00	6.00	6.00	29.00	19.00
DMC-08L-M16ED	M14X1.5	M16X1.5	8.00	10.00	12.00	6.00	6.00	30.50	22.00
DMC-08L-M18ED	M14X1.5	M18X1.5	8.00	10.00	12.00	6.00	10.00	30.50	24.00
DMC-08S-M14ED	M16X1.5	M14X1.5	8.00	12.00	12.00	5.00	5.00	34.00	19.00
DMC-10L-M12ED	M16X1.5	M12X1.5	10.00	11.00	12.00	6.00	6.00	30.00	17.00
DMC-10L-M14ED	M16X1.5	M14X1.5	10.00	11.00	12.00	6.00	6.00	30.00	19.00
DMC-10L-M16ED	M16X1.5	M16X1.5	10.00	11.00	12.00	8.00	8.00	31.50	22.00
DMC-10L-M18ED	M16X1.5	M18X1.5	10.00	11.00	12.00	8.00	10.00	31.50	24.00
DMC-10L-M22ED	M16X1.5	M22X1.5	10.00	11.00	14.00	8.00	12.00	35.00	27.00
DMC-10S-M16ED	M18X1.5	M16X1.5	10.00	12.00	12.00	7.00	7.00	34.50	22.00
DMC-12L-M12ED	M18X1.5	M12X1.5	12.00	11.00	12.00	10.00	5.00	31.00	19.00
DMC-12L-M14ED	M18X1.5	M14X1.5	12.00	11.00	12.00	10.00	7.50	31.50	19.00
DMC-12L-M16ED	M18X1.5	M16X1.5	12.00	11.00	12.00	9.00	9.00	31.50	22.00
DMC-12L-M18ED	M18X1.5	M18X1.5	12.00	11.00	12.00	10.00	10.00	31.50	24.00



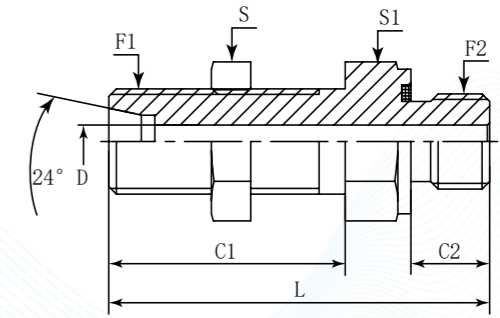
DMC-12L-M22ED	M18X1.5	M22X1.5	12.00	11.00	14.00	10.00	10.00	35.00	27.00
DMC-12S-M14ED	M20X1.5	M14X1.5	12.00	12.00	12.00	8.00	7.00	35.00	22.00
DMC-12S-M16ED	M20X1.5	M16X1.5	12.00	12.00	12.00	8.00	8.00	35.00	22.00
DMC-12S-M18ED	M20X1.5	M18X1.5	12.00	12.00	12.00	8.00	8.00	36.50	24.00
DMC-12S-M20ED	M20X1.5	M20X1.5	12.00	12.00	14.00	8.00	10.00	39.00	27.00
DMC-12S-M22ED	M20X1.5	M22X1.5	12.00	12.00	14.00	8.00	12.00	39.00	27.00
DMC-14S-M20ED	M22X1.5	M20X1.5	14.00	14.00	14.00	10.00	10.00	41.00	27.00
DMC-15L-M12ED	M22X1.5	M12X1.5	15.00	12.00	12.00	12.00	5.00	32.00	24.00
DMC-15L-M14ED	M22X1.5	M14X1.5	15.00	12.00	12.00	12.00	7.00	33.00	24.00
DMC-15L-M16ED	M22X1.5	M16X1.5	15.00	12.00	12.00	12.00	8.00	32.50	24.00
DMC-15L-M18ED	M22X1.5	M18X1.5	15.00	12.00	12.00	10.00	10.00	32.50	24.00
DMC-15L-M22ED	M22X1.5	M22X1.5	15.00	12.00	14.00	12.00	12.00	36.00	27.00
DMC-16L-M22ED	M22X1.5	M22X1.5	16.00	12.00	14.00	12.00	12.00	36.00	27.00
DMC-16L-M27ED	M22X1.5	M27X2	16.00	12.00	16.00	12.00	15.50	41.00	32.00
DMC-16S-M18ED	M24X1.5	M18X1.5	16.00	14.00	12.00	10.00	10.00	38.50	27.00
DMC-16S-M22ED	M24X1.5	M22X1.5	16.00	14.00	14.00	12.00	12.00	41.00	27.00
DMC-18L-M18ED	M26X1.5	M18X1.5	18.00	12.00	12.00	15.00	9.00	34.50	27.00
DMC-18L-M22ED	M26X1.5	M22X1.5	18.00	12.00	14.00	14.00	14.00	36.00	27.00
DMC-18L-M26ED	M26X1.5	M26X1.5	18.00	12.00	16.00	15.00	15.00	38.00	32.00
DMC-20S-M22ED	M30X2	M22X1.5	20.00	16.00	14.00	13.00	13.00	45.00	32.00
DMC-20S-M27ED	M30X2	M27X2	20.00	16.00	16.00	15.50	15.50	47.00	32.00
DMC-22L-M22ED	M30X2	M22X1.5	22.00	14.00	14.00	19.00	12.00	38.00	32.00
DMC-22L-M26ED	M30X2	M26X1.5	22.00	14.00	16.00	18.00	18.00	40.00	32.00
DMC-25S-M27ED	M36X2	M27X2	25.00	18.00	16.00	20.00	15.50	51.00	41.00
DMC-28L-M33ED	M36X2	M33X2	28.00	14.00	18.00	24.00	24.00	43.00	41.00
DMC-30S-M33ED	M42X2	M33X2	30.00	20.00	18.00	25.00	20.00	55.00	46.00
DMC-30S-M42ED	M42X2	M42X2	30.00	20.00	20.00	25.00	25.00	57.00	50.00
DMC-35L-M42ED	M45X2	M42X2	35.30	16.00	20.00	30.00	30.00	48.00	50.00
DMC-38S-M48ED	M52X2	M48X2	38.30	22.00	22.00	32.00	32.00	64.00	55.00
DMC-42L-M48ED	M52X2	M48X2	42.30	16.00	22.00	36.00	36.00	52.00	55.00

DBMC-GED

Male Bulkhead Connector (BSPP) with ED Ring



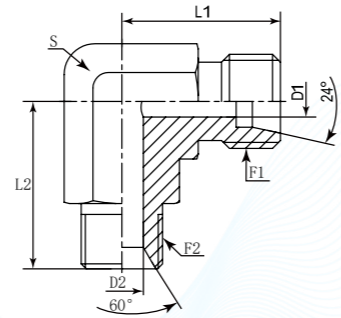
- DME&JDE Code:** DBMC-GED
- Product Type:** Hydraulic adaptor
- Standard:** DIN 2353
- Structure:** Straight
- Connection Type:** Male x Male
- Thread Types:** Metric x BSPP
- Sealing Method:** ED Rings
- Other Features:** Bulkhead



PART NUMBER	F1 (Thread)	F2 (Thread)	C1	C2	D	L	S	S1
#	Metric	BSPP	mm	mm	mm	mm	mm	mm
DBMC-10S-03GED	M18X1.5	3/8"-19	37.00	12.00	7.00	59.50	24.00	24.00
DBMC-12S-04GED	M20X1.5	1/2"-14	38.00	14.00	8.00	64.00	27.00	27.00
DBMC-35L-10GED	M45X2	1-1/4"-11	47.00	20.00	30.00	82.00	50.00	55.00

DLM-G

DIN 2353 90° Elbow BSPP Male

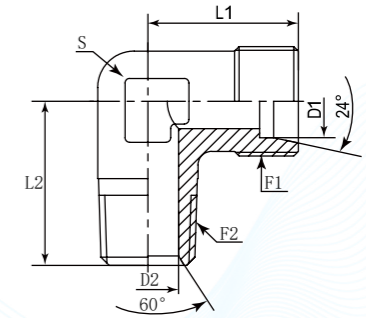


- DME&JDE Code:** DLM-G
- Product Type:** Hydraulic adaptor
- Standard:** DIN 2353
- Structure:** 90° Elbow
- Connection Type:** Male x Male
- Thread Type:** Metric x BSPP

PART NUMBER	F1 (Thread)	F2 (Thread)	D1	D2	L1	L2	S
#	METRIC	BSPP	mm	mm	mm	mm	mm
DLM-04LL-01G	M8X1	1/8"-28	3.00	4.00	15.00	17.00	9
DLM-06LL-01G	M10X1	1/8"-28	4.00	3.50	19.00	20.00	11
DLM-06L-01G	M12X1.5	1/8"-28	4.00	3.50	19.00	22.50	12
DLM-06L-02G	M12X1.5	1/4"-19	4.00	4.70	21.00	24.00	12
DLM-06S-02G	M14X1.5	1/4"-19	4.00	4.70	23.00	26.00	12
DLM-08LL-01G	M12X1	1/8"-28	6.00	3.50	17.00	20.00	12
DLM-08L-01G	M14X1.5	1/8"-28	6.00	3.50	21.00	22.50	12
DLM-08L-02G	M14X1.5	1/4"-19	6.00	4.70	21.00	24.00	12
DLM-08L-03G	M14X1.5	3/8"-19	6.00	7.90	24.00	28.00	17
DLM-08L-04G	M14X1.5	1/2"-14	6.00	11.10	24.00	34.00	19
DLM-08S-02G	M16X1.5	1/4"-19	5.00	4.70	24.00	27.00	14
DLM-10L-03G	M16X1.5	3/8"-19	8.00	7.90	25.00	28.00	17
DLM-10L-04G	M16X1.5	1/2"-14	8.00	11.10	24.00	34.00	19
DLM-10S-03G	M18X1.5	3/8"-19	7.00	7.90	25.00	28.00	17
DLM-12L-03G	M18X1.5	3/8"-19	10.00	7.90	24.00	28.00	17
DLM-12L-04G	M18X1.5	1/2"-14	10.00	11.10	24.00	30.00	22
DLM-12S-03G	M20X1.5	3/8"-19	8.00	7.90	29.00	28.00	19
DLM-12S-04G	M20X1.5	1/2"-14	8.00	11.10	29.00	32.00	19
DLM-14S-03G	M22X1.5	3/8"-19	10.00	7.90	30.00	30.00	19
DLM-14S-04G	M22X1.5	1/2"-14	10.00	11.10	30.00	34.00	19
DLM-15L-04G	M22X1.5	1/2"-14	12.00	11.10	28.00	34.00	19
DLM-15L-06G	M22X1.5	3/4"-14	12.00	16.70	33.00	38.00	27
DLM-16S-04G	M24X1.5	1/2"-14	12.00	11.10	33.00	36.00	24
DLM-16S-06G	M24X1.5	3/4"-14	12.00	16.70	33.00	40.00	27
DLM-18L-04G	M26X1.5	1/2"-14	15.00	11.10	31.00	36.00	24
DLM-18L-06G	M26X1.5	3/4"-14	15.00	16.70	34.00	42.00	27
DLM-20S-04G	M30X2	1/2"-14	16.00	11.10	37.00	41.00	27
DLM-20S-06G	M30X2	3/4"-14	16.00	16.70	37.00	42.00	27
DLM-22L-06G	M30X2	3/4"-14	19.00	16.70	35.00	38.50	27
DLM-25S-08G	M36X2	1"-11	20.00	22.20	42.00	48.00	36
DLM-28L-08G	M36X2	1"-11	24.00	22.20	38.00	48.00	36
DLM-30S-10G	M42X2	1 1/4"-11	25.00	28.60	49.00	55.00	41
DLM-35L-10G	M45X2	1 1/4"-11	30.00	28.60	45.00	55.00	41
DLM-38S-12G	M52X2	1 1/2"-11	32.00	33.30	57.00	61.00	50
DLM-42L-12G	M52X2	1 1/2"-11	36.00	33.30	51.00	61.00	50

DLM-R

90° Elbow BSPT Male



- DME&JDE Code:** DLM-R
- Product Type:** Hydraulic adaptor
- Standard:** DIN 2353
- Structure:** 90° Elbow
- Connection Type:** Male x Male
- Thread Types:** Metric x BSPT

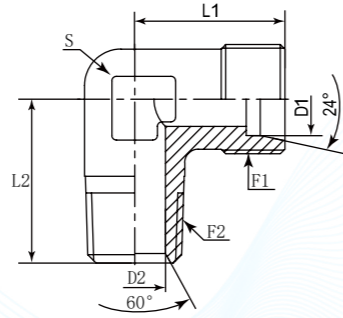
PART NUMBER	F1 (Thread)	F2 (Thread)	L1	L2	D1	D2	S
#	Metric	BSPT	mm	mm	mm	mm	mm
DLM-04LL-01R	M8X1	1/8"-28	15.00	17.00	3.00	4.00	9.00
DLM-06L-01R	M12X1.5	1/8"-28	19.00	20.00	4.00	4.50	12.00
DLM-06L-02R	M12X1.5	1/4"-19	21.00	26.00	4.00	6.00	12.00
DLM-06LL-01R	M10X1	1/8"-28	15.00	17.00	4.50	4.50	9.00
DLM-06S-02R	M14X1.5	1/4"-19	23.00	26.00	4.00	6.00	12.00
DLM-08L-01R	M14X1.5	1/8"-28	21.00	26.00	6.00	4.50	12.00
DLM-08L-02R	M14X1.5	1/4"-19	21.00	26.00	6.00	6.00	12.00
DLM-08L-03R	M14X1.5	3/8"-19	24.00	28.00	6.00	9.00	17.00
DLM-08L-04R	M14X1.5	1/2"-14	24.00	34.00	6.00	12.00	19.00
DLM-08LL-01R	M12X1	1/8"-28	17.00	20.00	6.00	4.50	12.00
DLM-08S-02R	M16X1.5	1/4"-19	24.00	27.00	5.00	6.00	14.00
DLM-10L-01R	M16X1.5	1/8"-28	22.00	27.00	8.00	4.50	14.00
DLM-10L-02R	M16X1.5	1/4"-19	22.00	27.00	8.00	6.00	14.00
DLM-10L-03R	M16X1.5	3/8"-19	24.00	28.00	8.00	9.00	17.00
DLM-10L-04R	M16X1.5	1/2"-14	24.00	34.00	8.00	12.00	19.00
DLM-10S-03R	M18X1.5	3/8"-19	25.00	28.00	7.00	9.00	17.00
DLM-12L-02R	M18X1.5	1/4"-19	24.00	28.00	10.00	6.00	17.00
DLM-12L-03R	M18X1.5	3/8"-19	24.00	28.00	10.00	9.00	17.00
DLM-12L-04R	M18X1.5	1/2"-14	24.00	32.00	10.00	12.00	22.00
DLM-12S-03R	M20X1.5	3/8"-19	29.00	28.00	8.00	9.00	19.00
DLM-12S-04R	M20X1.5	1/2"-14	29.00	32.00	8.00	12.00	19.00
DLM-14S-03R	M22X1.5	3/8"-19	30.00	30.00	10.00	9.00	19.00
DLM-14S-04R	M22X1.5	1/2"-14	30.00	34.00	10.00	12.00	19.00
DLM-15L-03R	M22X1.5	3/8"-19	28.00	30.00	12.00	9.00	19.00
DLM-15L-04R	M22X1.5	1/2"-14	28.00	34.00	12.00	12.00	19.00
DLM-16S-03R	M24X1.5	3/8"-19	33.00	37.00	12.00	9.00	24.00
DLM-16S-04R	M24X1.5	1/2"-14	33.00	36.00	12.00	12.00	24.00
DLM-18L-04R	M26X1.5	1/2"-14	31.00	36.00	15.00	12.00	24.00
DLM-18L-06R	M26X1.5	3/4"-14	34.00	42.00	15.00	16.70	27.00
DLM-20S-04R	M30X2	1/2"-14	37.00	41.00	16.00	12.00	27.00
DLM-20S-06R	M30X2	3/4"-14	37.00	42.00	16.00	16.70	27.00
DLM-22L-06R	M30X2	3/4"-14	35.00	42.00	19.00	16.70	27.00
DLM-25S-06R	M36X2	3/4"-14	42.00	45.00	20.00	16.70	36.00
DLM-25S-08R	M36X2	1"-11	42.00	48.00	20.00	22.20	36.00
DLM-28L-08R	M36X2	1"-11	38.00	48.00	24.00	22.20	36.00
DLM-30S-08R	M42X2	1"-11	49.00	55.00	25.00	22.20	41.00
DLM-30S-10R	M42X2	1-1/4"-11	49.00	55.00	25.00	28.60	41.00
DLM-35L-10R	M45X2	1-1/4"-11	45.00	55.00	30.00	28.60	41.00
DLM-38S-12R	M52X2	1-1/2"-11	57.00	61.00	32.00	33.30	50.00
DLM-42L-12R	M52X2	1-1/2"-11	51.00	61.00	36.00	33.30	50.00

DLM-N

90° Elbow NPTF Male



- DME&JDE Code:** DLM-N
- Product Type:** Hydraulic adaptor
- Standard:** DIN 2353
- Structure:** 90° Elbow
- Connection Type:** Male x Male
- Thread Type:** Metric x NPTF



PART NUMBER	F1 (Thread)	F2 (Thread)	L1	L2	D1	D2	S
#	Metric	NPTF	mm	mm	mm	mm	mm
DLM-04LL-01N	M8X1	1/8"-27	15.00	17.00	3.00	4.00	9.00
DLM-06L-01N	M12X1.5	1/8"-27	19.00	20.00	4.00	4.78	12.00
DLM-06L-02N	M12X1.5	1/4"-18	21.00	26.00	4.00	7.14	12.00
DLM-06L-03N	M12X1.5	3/8"-18	24.00	28.00	4.00	10.31	17.00
DLM-06LL-01N	M10X1	1/8"-27	15.00	17.00	4.00	4.78	9.00
DLM-06S-02N	M14X1.5	1/4"-18	23.00	26.00	4.00	7.14	12.00
DLM-08L-01N	M14X1.5	1/8"-27	21.00	26.00	6.00	4.78	12.00
DLM-08L-02N	M14X1.5	1/4"-18	21.00	26.00	6.00	7.14	12.00
DLM-08L-03N	M14X1.5	3/8"-18	24.00	28.00	6.00	10.31	17.00
DLM-08L-04N	M14X1.5	1/2"-14	24.00	34.00	6.00	13.49	19.00
DLM-08S-02N	M16X1.5	1/4"-18	24.00	27.00	5.00	7.14	14.00
DLM-10L-01N	M16X1.5	1/8"-27	22.00	27.00	8.00	4.78	14.00
DLM-10L-02N	M16X1.5	1/4"-18	22.00	27.00	8.00	7.14	14.00
DLM-10L-03N	M16X1.5	3/8"-18	25.00	28.00	8.00	10.31	17.00
DLM-10L-04N	M16X1.5	1/2"-14	24.00	34.00	8.00	13.49	19.00
DLM-10S-03N	M18X1.5	3/8"-18	25.00	28.00	7.00	10.31	17.00
DLM-12L-02N	M18X1.5	1/4"-18	24.00	28.00	10.00	7.14	17.00
DLM-12L-03N	M18X1.5	3/8"-18	24.00	28.00	10.00	10.31	17.00
DLM-12L-04N	M18X1.5	1/2"-14	24.00	34.00	10.00	13.49	22.00
DLM-12S-02N	M20X1.5	1/4"-18	29.00	29.00	8.00	7.14	19.00
DLM-12S-03N	M20X1.5	3/8"-18	29.00	28.00	8.00	10.31	19.00
DLM-12S-04N	M20X1.5	1/2"-14	29.00	36.00	8.00	13.49	19.00
DLM-12S-06N	M20X1.5	3/4"-14	29.00	40.40	8.00	16.70	27.00
DLM-14S-03N	M22X1.5	3/8"-18	30.00	30.00	10.00	10.31	19.00
DLM-14S-04N	M22X1.5	1/2"-14	30.00	34.00	10.00	13.49	19.00
DLM-15L-03N	M22X1.5	3/8"-18	28.00	30.00	12.00	10.31	19.00
DLM-15L-04N	M22X1.5	1/2"-14	28.00	34.00	12.00	13.49	19.00
DLM-15L-06N	M22X1.5	3/4"-14	34.00	38.50	12.00	16.70	27.00
DLM-16S-03N	M24X1.5	3/8"-18	33.00	34.00	12.00	10.31	24.00
DLM-16S-04N	M24X1.5	1/2"-14	33.00	36.00	12.00	13.49	24.00
DLM-16S-06N	M24X1.5	3/4"-14	33.00	40.40	12.00	18.26	27.00
DLM-18L-04N	M26X1.5	1/2"-14	31.00	36.00	15.00	13.49	24.00
DLM-18L-06N	M26X1.5	3/4"-14	34.00	42.00	15.00	18.26	27.00
DLM-20S-04N	M30X2	1/2"-14	37.00	42.00	16.00	13.49	27.00
DLM-20S-06N	M30X2	3/4"-14	37.00	40.40	16.00	18.26	27.00
DLM-20S-08N	M30X2	1"-1-1/2	42.00	48.00	16.00	23.83	36.00
DLM-22L-06N	M30X2	3/4"-14	35.00	38.50	19.00	18.26	27.00
DLM-25S-04N	M36X2	1/2"-14	42.00	45.00	20.00	13.49	36.00
DLM-25S-06N	M36X2	3/4"-14	42.00	45.00	20.00	18.26	36.00
DLM-25S-08N	M36X2	1"-11-1/2	42.00	48.00	20.00	23.83	36.00
DLM-28L-08N	M36X2	1"-11-1/2	38.00	48.00	24.00	22.20	36.00
DLM-30S-08N	M42X2	1"-11-1/2	49.00	55.00	25.00	23.83	41.00
DLM-30S-10N	M42X2	1-1/4"-11-1/2	49.00	55.00	25.00	31.75	41.00
DLM-35L-10N	M45X2	1-1/4"-11-1/2	45.00	55.00	30.00	31.75	41.00
DLM-38S-12N	M52X2	1-1/2"-11-1/2	57.00	61.00	32.00	38.10	50.00
DLM-42L-12N	M52X2	1-1/2"-11-1/2	51.00	61.00	36.00	38.10	50.00

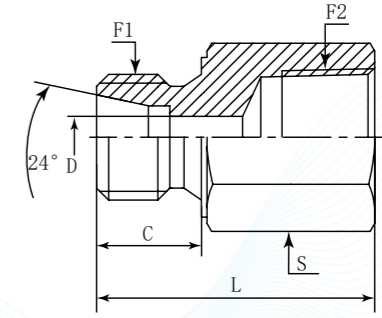


DFC-N

Female Connector NPTF Female



- DME&JDE Code:** DFC-N
- Product Type:** Hydraulic adaptor
- Standard:** DIN 2353
- Structure:** Straight
- Connection Type:** Female x Female
- Thread Types:** Metric x NPTF



PART NUMBER	F1(Thread)	F2(Thread)	C	D	L	S
#	Metric	NPTF	mm	mm	mm	mm
DFC-06L-01N	M12X1.5	1/8"-27	10.00	4.00	26.00	14.00
DFC-06L-02N	M12X1.5	1/4"-18	10.00	4.00	30.00	19.00
DFC-06L-03N	M12X1.5	3/8"-18	10.00	4.00	30.00	22.00
DFC-08L-02N	M14X1.5	1/4"-18	10.00	6.00	31.00	19.00
DFC-10L-02N	M16X1.5	1/4"-18	11.00	8.00	31.00	19.00
DFC-12L-04N	M18X1.5	1/2"-14	11.00	10.00	38.00	27.00
DFC-12S-02N	M20X1.5	1/4"-18	12.00	8.00	33.00	22.00
DFC-15L-06N	M22X1.5	3/4"-14	12.00	12.00	42.00	36.00
DFC-18L-06N	M26X1.5	3/4"-14	12.00	15.00	42.00	36.00



DFC-G

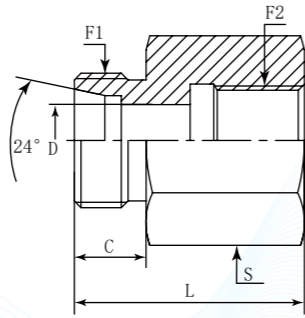
Female Connector BSPP Female

German Technology Equipment

SHIELD FLEX

New-Standard

- DME&JDE Code: DFC-G
- Product Type: Hydraulic adaptor
- Standard: DIN 2353
- Structure: Straight
- Connection Type: Female x Female
- Thread Type: Metric x BSPP



PART NUMBER	F1 (Thread)	F2 (Thread)	C	D	L	S
#	Metric	BSPP	mm	mm	mm	mm
DFC-06L-01G	M12X1.5	1/8"-28	10.00	4.00	26.00	14.00
DFC-06L-02G	M12X1.5	1/4"-19	10.00	4.00	31.00	19.00
DFC-06L-03G	M12X1.5	3/8"-19	10.00	4.00	32.00	22.00
DFC-06S-02G	M14X1.5	1/4"-19	12.00	4.00	33.00	19.00
DFC-06S-04G	M14X1.5	1/2"-14	12.00	4.00	38.00	27.00
DFC-08L-02G	M14X1.5	1/4"-19	10.00	6.00	31.00	19.00
DFC-08L-03G	M14X1.5	3/8"-19	10.00	6.00	32.00	22.00
DFC-08L-04G	M14X1.5	1/2"-14	10.00	6.00	36.00	27.00
DFC-08S-02G	M16X1.5	1/4"-19	12.00	5.00	33.00	19.00
DFC-08S-04G	M16X1.5	1/2"-14	12.00	5.00	37.00	27.00
DFC-10L-02G	M16X1.5	1/4"-19	11.00	8.00	32.00	19.00
DFC-10L-03G	M16X1.5	3/8"-19	11.00	8.00	33.00	22.00
DFC-10L-04G	M16X1.5	1/2"-14	11.00	8.00	37.00	27.00
DFC-10S-03G	M18X1.5	3/8"-19	12.00	7.00	34.00	22.00
DFC-10S-04G	M18X1.5	1/2"-14	12.00	7.00	38.00	27.00
DFC-12L-02G	M18X1.5	1/4"-19	11.00	10.00	32.00	19.00
DFC-12L-03G	M18X1.5	3/8"-19	11.00	10.00	33.00	22.00
DFC-12L-04G	M18X1.5	1/2"-14	11.00	10.00	37.00	27.00
DFC-12S-03G	M20X1.5	3/8"-19	12.00	8.00	34.00	24.00
DFC-12S-04G	M20X1.5	1/2"-14	12.00	8.00	38.00	27.00
DFC-14S-04G	M22X1.5	1/2"-14	14.00	10.00	40.00	30.00
DFC-15L-02G	M22X1.5	1/4"-19	12.00	12.00	33.00	24.00
DFC-15L-03G	M22X1.5	3/8"-19	12.00	12.00	34.00	24.00
DFC-15L-04G	M22X1.5	1/2"-14	12.00	12.00	38.00	27.00
DFC-16S-04G	M24X1.5	1/2"-14	14.00	12.00	40.00	30.00
DFC-18L-04G	M26X1.5	1/2"-14	12.00	15.00	38.00	27.00
DFC-20S-06G	M30X2	3/4"-14	16.00	16.00	45.00	36.00
DFC-22L-06G	M30X2	3/4"-14	14.00	19.00	43.00	36.00
DFC-25S-08G	M36X2	1"-11	18.00	20.00	49.00	41.00
DFC-28L-08G	M36X2	1"-11	14.00	24.00	45.50	41.00
DFC-30S-10G	M42X2	1-1/4"-11	20.00	25.00	55.50	55.00
DFC-35L-10G	M45X2	1-1/4"-11	16.00	30.00	51.50	55.00
DFC-38S-12G	M52X2	1-1/2"-11	22.00	32.00	60.00	60.00
DFC-42L-12G	M52X2	1-1/2"-11	16.00	36.00	53.50	60.00

DFC-M

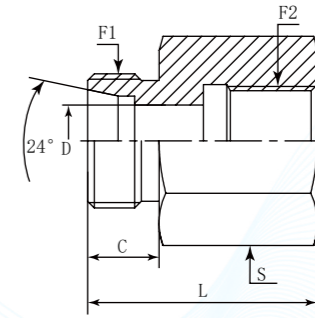
Female Connector Metric Female

German Technology Equipment

SHIELD FLEX

New-Standard

- DME&JDE Code: DFC-M
- Product Type: Hydraulic adaptor
- Standard: DIN 2353
- Structure: Straight
- Connection Type: Female x Female
- Thread Types: Metric x Metric



PART NUMBER	F1 (Thread)	F2 (Thread)	C	D	L	S
#	Metric	Metric	mm	mm	mm	mm
DFC-06L-M10	M12X1.5	M10X1	10.00	4.00	26.00	14.00
DFC-06S-M12	M14X1.5	M12X1.5	12.00	4.00	33.00	17.00
DFC-08L-M12	M14X1.5	M12X1.5	10.00	6.00	31.00	17.00
DFC-08S-M14	M16X1.5	M14X1.5	12.00	5.00	33.00	19.00
DFC-10L-M14	M16X1.5	M14X1.5	11.00	6.00	32.00	19.00
DFC-10S-M16	M18X1.5	M16X1.5	12.00	7.00	34.00	22.00
DFC-12L-M16	M18X1.5	M16X1.5	11.00	8.00	33.00	22.00
DFC-12S-M18	M20X1.5	M18X1.5	12.00	8.00	34.00	24.00
DFC-14S-M20	M22X1.5	M20X1.5	14.00	10.00	40.00	27.00
DFC-15L-M18	M22X1.5	M18X1.5	12.00	10.00	38.00	24.00
DFC-16S-M22	M24X1.5	M22X1.5	14.00	12.00	40.00	30.00
DFC-18L-M22	M26X1.5	M22X1.5	12.00	14.00	38.00	30.00
DFC-20S-M27	M30X2	M27X2	16.00	15.00	45.00	36.00
DFC-22L-M26	M30X2	M26X1.5	14.00	17.00	42.00	32.00
DFC-25S-M33	M36X2	M33X2	18.00	20.00	49.00	41.00
DFC-28L-M33	M36X2	M33X2	14.00	23.00	45.00	41.00
DFC-30S-M42	M42X2	M42X2	20.00	25.00	56.00	55.00
DFC-35L-M42	M45X2	M42X2	16.00	30.00	51.00	55.00
DFC-38S-M48	M52X2	M48X2	22.00	32.00	60.00	60.00
DFC-42L-M48	M52X2	M48X2	16.00	36.00	54.00	60.00

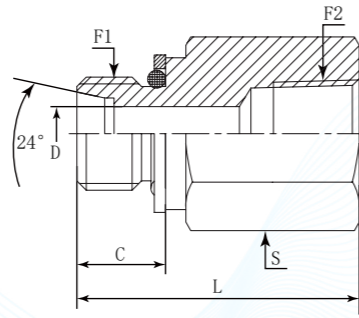


DQFC-N

Male Connector (NPTF Male) with Form X Tapped Holes



- DME&JDE Code: DQFC-N
- Product Type: Hydraulic adaptor
- Standard: DIN 2353
- Structure: Straight
- Connection Type: Male x Male
- Thread Type: Metric x NPTF



PART NUMBER	F1 (Thread)	F2 (Thread)	C	D	L	S
#	METRIC	NPTF	mm	mm	mm	mm
DANPF152Q-0212DU	M12X1.5	1/8"-27	11.00	4.00	30.50	17
DANPF152Q-0216DU	M16X1.5	1/8"-27	11.50	8.00	32.00	22
DANPF152Q-0410DU	M10X1	1/4"-18	8.00	4.50	30.00	19
DANPF152Q-0412DU	M12X1.5	1/4"-18	11.00	4.00	32.90	19
DANPF152Q-0414DU	M14X1.5	1/4"-18	11.00	6.00	35.00	19
DANPF152Q-0416DU	M16X1.5	1/4"-18	11.50	8.00	37.50	22
DANPF152Q-0418DU	M18X1.5	1/4"-18	12.50	10.00	38.50	24
DANPF152Q-0612DU	M12X1.5	3/8"-18	11.00	4.00	38.00	22
DANPF152Q-0614DU	M14X1.5	3/8"-18	11.00	6.00	38.00	22
DANPF152Q-0616DU	M16X1.5	3/8"-18	11.50	8.00	38.50	22
DANPF152Q-0618DU	M18X1.5	3/8"-18	12.50	10.00	40.50	24
DANPF152Q-0620DU	M20X1.5	3/8"-18	12.50	8.00	40.50	24
DANPF152Q-0622DU	M22X1.5	3/8"-18	14.00	12.00	38.50	27
DANPF152Q-0816DU	M16X1.5	1/2"-14	11.50	8.00	40.00	27
DANPF152Q-0818DU	M18X1.5	1/2"-14	12.50	10.00	41.50	27
DANPF152Q-0822DU	M22X1.5	1/2"-14	14.00	12.00	42.50	27
DANPF152Q-1222DU	M22X1.5	3/4"-14	14.00	12.00	46.50	36
DANPF152Q-1226DU	M26X1.5	3/4"-14	16.00	15.00	46.00	36
DANPF152Q-1227DU	M27X2	3/4"-14	16.00	15.00	48.00	36
DANPF152Q-1230DU	M30X2	3/4"-14	16.00	19.00	45.30	36
DANPF152Q-1633DU	M33X2	1"-11-1/2	16.00	20.00	53.50	41

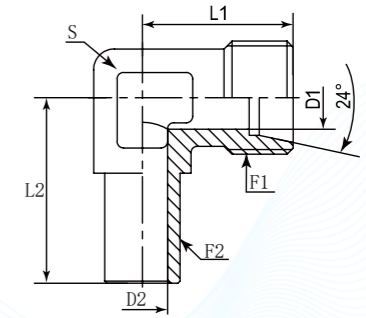


DLA

Adjustable 90° Elbow with Standard Pipe



- DME&JDE Code: DLA
- Product Type: Hydraulic adaptor
- Standard: DIN 2353
- Structure: 90° Elbow
- Connection Type: Adjustable Male
- Thread Types: Metric



PART NUMBER	F1 (Thread)	L1	L2	D1	D2	S
#	Metric	mm	mm	mm	mm	mm
DLA-06L	M12X1.5	19.00	26.00	4.00	3.50	12.00
DLA-06S	M14X1.5	23.00	27.00	4.00	3.00	12.00
DLA-08L	M14X1.5	21.00	27.50	6.00	5.50	12.00
DLA-08S	M16X1.5	24.00	27.50	5.00	4.00	14.00
DLA-10L	M16X1.5	22.00	29.00	8.00	6.00	14.00
DLA-10S	M18X1.5	25.00	30.00	7.00	7.00	17.00
DLA-12L	M18X1.5	24.00	29.50	10.00	8.00	17.00
DLA-12S	M20X1.5	29.00	31.00	8.00	8.00	17.00
DLA-14S	M22X1.5	30.00	35.00	10.00	9.00	19.00
DLA-15L	M22X1.5	28.00	32.50	12.00	12.00	19.00
DLA-16S	M24X1.5	33.00	36.50	12.00	10.00	24.00
DLA-18L	M26X1.5	31.00	35.50	15.00	14.00	24.00
DLA-20S	M30X2	37.00	44.50	16.00	14.00	27.00
DLA-22L	M30X2	35.00	38.50	19.00	18.00	27.00
DLA-25S	M36X2	42.00	50.00	20.00	19.00	36.00
DLA-28L	M36X2	38.00	41.50	24.00	23.00	36.00
DLA-30S	M42X2	49.00	61.50	25.00	25.00	41.00
DLA-35L	M45X2	45.00	51.00	30.00	30.00	41.00
DLA-38S	M52X2	57.00	73.50	32.00	32.00	50.00
DLA-42L	M52X2	51.00	60.00	36.00	36.00	50.00

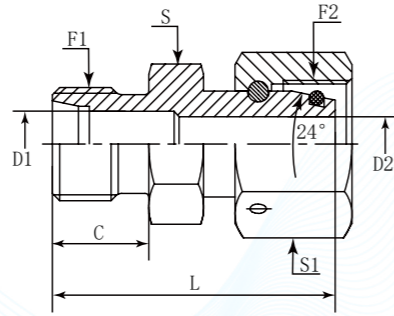


DED

Swivel Female Connector with 24° Cone



- DME&JDE Code: DED
- Product Type: Hydraulic adaptor
- Standard: DIN 2353
- Structure: Straight
- Connection Type: Swivel Female x Male
- Thread Type: Metric x Metric 24° Cone



PART NUMBER	F1 (Thread)	F2 (Thread)	C	D1	D2	L	S	S1
#	Metric	Metric	mm	mm	mm	mm	mm	mm
DED-06L	M12X1.5	M12X1.5	10.00	3.00	3.00	31.00	12.00	14.00
DED-08L	M14X1.5	M14X1.5	10.00	6.00	4.00	32.50	17.00	17.00
DED-08S	M16X1.5	M16X1.5	12.00	4.00	4.00	34.50	17.00	19.00
DED-10L	M16X1.5	M16X1.5	11.00	8.00	6.00	33.50	17.00	19.00
DED-10S	M18X1.5	M18X1.5	12.00	7.00	5.00	35.50	19.00	22.00
DED-12L	M18X1.5	M18X1.5	11.00	10.00	7.50	34.50	19.00	22.00
DED-12S	M20X1.5	M20X1.5	12.00	8.00	8.00	37.50	22.00	24.00
DED-15L	M22X1.5	M22X1.5	12.00	12.00	10.00	36.50	24.00	27.00
DED-16S	M24X1.5	M24X1.5	14.00	12.00	10.00	40.50	27.00	30.00
DED-18L	M26X1.5	M26X1.5	12.00	15.00	12.50	38.00	27.00	32.00
DED-20S	M30X2	M30X2	16.00	16.00	14.00	47.50	32.00	36.00
DED-22L	M30X2	M30X2	14.00	19.00	14.00	45.00	32.00	36.00
DED-25S	M36X2	M36X2	18.00	20.00	18.00	55.50	41.00	46.00
DED-30S	M42X2	M42X2	20.00	25.00	22.00	57.50	46.00	50.00
DED-38S	M52X2	M52X2	22.00	32.00	30.00	66.00	55.00	60.00

Web: <https://www.dmejde.com>
E-mail: info@dmejde.com

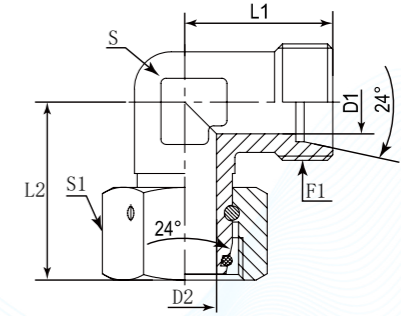


DEW

Swivel Adjustable 90° Elbow With 24° Cone



- DME&JDE Code: DEW
- Product Type: Hydraulic adaptor
- Standard: DIN 2353
- Structure: 90° Elbow
- Connection Type: Adjustable Swivel Female x Male
- Thread Types: Metric x Metric 24° Cone



PART NUMBER	F1/F2 (Thread)	L1	L2	D1	D2	S	S1
#	Metric	mm	mm	mm	mm	mm	mm
DEW-06L	M12X1.5	19.00	25.00	4.00	3.00	12.00	14.00
DEW-06S	M14X1.5	23.00	25.50	4.00	3.00	12.00	17.00
DEW-08L	M14X1.5	21.00	25.50	6.00	4.00	12.00	17.00
DEW-08S	M16X1.5	24.00	27.00	5.00	4.00	14.00	19.00
DEW-10L	M16X1.5	22.00	27.00	8.00	6.00	14.00	19.00
DEW-10S	M18X1.5	25.00	30.00	7.00	6.00	17.00	22.00
DEW-12L	M18X1.5	24.00	28.50	10.00	7.50	17.00	22.00
DEW-12S	M20X1.5	29.00	31.00	8.00	8.00	17.00	24.00
DEW-14S	M22X1.5	30.00	34.00	10.00	10.00	19.00	27.00
DEW-15L	M22X1.5	28.00	32.50	12.00	10.00	19.00	27.00
DEW-16S	M24X1.5	33.00	34.50	12.00	10.00	24.00	30.00
DEW-18L	M26X1.5	31.00	33.50	15.00	12.50	24.00	32.00
DEW-20S	M30X2	37.00	42.00	16.00	14.00	27.00	36.00
DEW-22L	M30X2	35.00	37.00	19.00	17.00	27.00	36.00
DEW-25S	M36X2	42.00	48.00	20.00	18.00	36.00	46.00
DEW-28L	M36X2	38.00	40.00	24.00	22.00	36.00	41.00
DEW-30S	M42X2	49.00	52.50	25.00	22.00	41.00	50.00
DEW-35L	M45X2	45.00	51.00	30.00	28.00	41.00	50.00
DEW-38S	M52X2	57.00	63.00	32.00	29.00	50.00	60.00
DEW-42L	M52X2	51.00	56.50	36.00	34.00	50.00	60.00

Web: <https://www.dmejde.com>
E-mail: info@dmejde.com



DEV

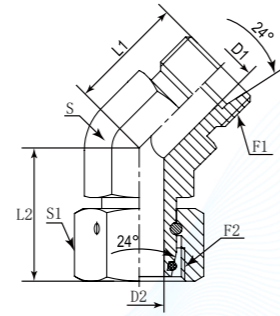
DIN 2353 Adjustable 45° Male Stud Elbow

German Technology Equipment

SHIELD FLEX

New-Standard

- DME&JDE Code: DEV
- Product Type: Hydraulic adaptor
- Standard: DIN 2353
- Structure: 45° Elbow
- Connection Type: Adjustable male x Female
- Thread Type: Metric x Metric



PART NUMBER	F1 (Thread)	F2 (Thread)	D1	D2	L1	L2	S	S1
#	METRIC	METRIC	mm	mm	mm	mm	mm	mm
DEV-06L	M12X1.5	M12X1.5	4.00	3.00	24.00	23.50	14	14
DEV-06S	M14X1.5	M14X1.5	4.00	3.00	16.00	24.50	14	17
DEV-08L	M14X1.5	M14X1.5	6.00	4.00	19.00	26.00	14	17
DEV-08S	M16X1.5	M16X1.5	5.00	4.00	19.00	25.00	19	19
DEV-10L	M16X1.5	M16X1.5	8.00	6.00	19.00	27.00	19	19
DEV-10S	M18X1.5	M18X1.5	7.00	6.00	21.00	27.50	19	22
DEV-12L	M18X1.5	M18X1.5	10.00	7.50	21.00	29.50	19	22
DEV-12S	M20X1.5	M20X1.5	8.00	8.00	24.00	28.50	19	24
DEV-14S	M22X1.5	M22X1.5	10.00	10.00	24.00	31.00	19	27
DEV-15L	M22X1.5	M22X1.5	12.00	10.00	22.00	33.10	22	27
DEV-16S	M24X1.5	M24X1.5	12.00	10.00	24.00	34.00	19	30
DEV-18L	M26X1.5	M26X1.5	15.00	12.50	24.00	33.00	27	32
DEV-20S	M30X2	M30X2	16.00	14.00	26.50	42.00	27	36
DEV-22L	M30X2	M30X2	19.00	17.00	26.00	36.00	30	36
DEV-25S	M36X2	M36X2	20.00	18.00	30.50	47.50	36	46
DEV-28L	M36X2	M36X2	24.00	22.00	30.50	39.00	36	41
DEV-30S	M42X2	M42X2	25.00	22.00	37.00	52.50	50	50
DEV-35L	M45X2	M45X2	20.00	28.00	37.00	48.50	50	50
DEV-38S	M52X2	M52X2	32.00	29.00	37.00	60.50	50	50
DEV-42L	M52X2	M52X2	36.00	34.00	37.00	53.50	50	60

DET

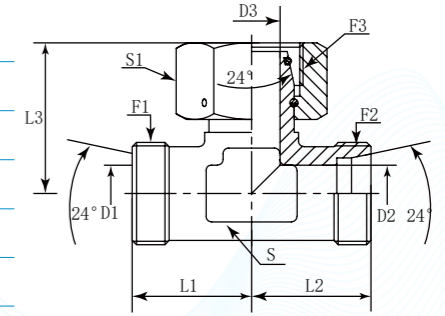
Swivel Adjustable Branch Tee with 24° Cone

German Technology Equipment

SHIELD FLEX

New-Standard

- DME&JDE Code: DET
- Product Type: Hydraulic adaptor
- Standard: DIN 2353
- Structure: Branch Tee
- Connection Type: Adjustable Male x Male x Swivel Female
- Thread Types: Metric 24° Cone x Metric 24° Cone x Metric 24° Cone



PART NUMBER	F1 (Thread)	F2 (Thread)	F3 (Thread)	L1	L2	L3	D1	D2	D3	S	S1
#	METRIC	METRIC	METRIC	mm	mm	mm	mm	mm	mm	mm	mm
DET-06L	M12X1.5	M12X1.5	M12X1.5	19.00	19.00	25.00	4.00	4.00	3.00	12	14
DET-06S	M14X1.5	M14X1.5	M14X1.5	23.00	23.00	25.50	4.00	4.00	3.00	12	17
DET-08L	M14X1.5	M14X1.5	M14X1.5	21.00	21.00	25.50	6.00	6.00	4.00	12	17
DET-08S	M16X1.5	M16X1.5	M16X1.5	24.00	24.00	27.00	5.00	5.00	4.00	14	19
DET-10L	M16X1.5	M16X1.5	M16X1.5	22.00	22.00	27.00	8.00	8.00	6.00	14	19
DET-10S	M18X1.5	M18X1.5	M18X1.5	25.00	25.00	30.00	7.00	7.00	6.00	17	22
DET-12L	M18X1.5	M18X1.5	M18X1.5	24.00	24.00	28.50	10.00	10.00	7.50	17	22
DET-12S	M20X1.5	M20X1.5	M20X1.5	29.00	29.00	31.00	8.00	8.00	8.00	17	24
DET-14S	M22X1.5	M22X1.5	M22X1.5	30.00	30.00	34.00	10.00	10.00	10.00	19	27
DET-15L	M22X1.5	M22X1.5	M22X1.5	28.00	28.00	32.50	12.00	12.00	10.00	19	27
DET-16S	M24X1.5	M24X1.5	M24X1.5	33.00	33.00	34.50	12.00	12.00	11.00	24	30
DET-18L	M26X1.5	M26X1.5	M26X1.5	31.00	31.00	33.00	15.00	15.00	12.50	24	32
DET-20S	M30X2	M30X2	M30X2	37.00	37.00	42.00	16.00	16.00	14.00	27	36
DET-22L	M30X2	M30X2	M30X2	35.00	35.00	38.50	19.00	19.00	17.00	27	36
DET-25S	M36X2	M36X2	M36X2	42.00	42.00	50.00	20.00	20.00	20.00	36	46
DET-28L	M36X2	M36X2	M36X2	38.00	38.00	40.00	24.00	24.00	22.00	36	41
DET-30S	M42X2	M42X2	M42X2	49.00	49.00	52.50	25.00	25.00	22.00	41	50
DET-35L	M45X2	M45X2	M45X2	45.00	45.00	51.00	30.00	30.00	28.00	48	50
DET-38S	M52X2	M52X2	M52X2	57.00	57.00	63.00	32.00	32.00	29.00	50	60
DET-42L	M52X2	M52X2	M52X2	51.00	51.00	56.50	36.00	36.00	34.00	50	60

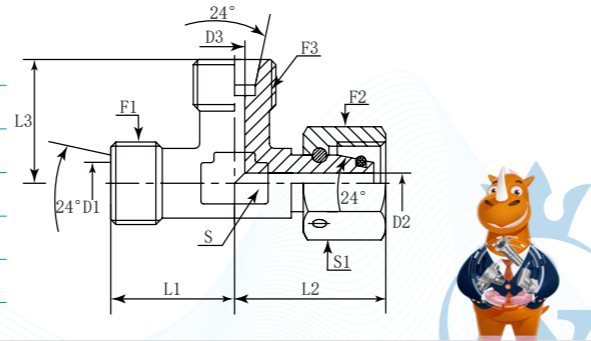


DEL

Swivel Adjustable Run Tee with 24° Cone



- DME&JDE Code: DEL
- Product Type: Hydraulic adaptor
- Standard: DIN 2353
- Structure: Run Tee
- Connection Type: Adjustable Male x Swivel Female x Male
- Thread Type: Metric 24° Cone x Metric 24° Cone x Metric 24° Cone



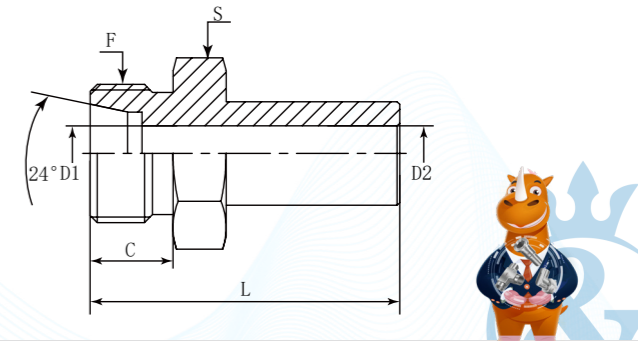
PART NUMBER	F1 (Thread)	F2 (Thread)	F3 (Thread)	L1	L2	L3	D1	D2	D3	D2	D3
#	METRIC	METRIC	METRIC	mm	mm	mm	mm	mm	mm	mm	mm
DEL-06L	M12 x 1.5	M12 x 1.5	M12 x 1.5	19.00	25.00	19.00	4.00	3.00	4.00	12	14
DEL-06S	M14 x 1.5	M14 x 1.5	M14 x 1.5	23.00	25.50	23.00	4.00	3.00	4.00	12	17
DEL-08L	M14 x 1.5	M14 x 1.5	M14 x 1.5	21.00	25.50	21.00	6.00	4.00	6.00	12	17
DEL-08S	M16 x 1.5	M16 x 1.5	M16 x 1.5	24.00	27.00	24.00	5.00	4.00	5.00	14	19
DEL-10L	M16 x 1.5	M16 x 1.5	M16 x 1.5	22.00	27.00	22.00	8.00	6.00	8.00	14	19
DEL-10S	M18 x 1.5	M18 x 1.5	M18 x 1.5	25.00	30.00	25.00	7.00	6.00	7.00	17	22
DEL-12L	M18 x 1.5	M18 x 1.5	M18 x 1.5	24.00	28.50	24.00	10.00	7.50	10.00	17	22
DEL-12S	M20 x 1.5	M20 x 1.5	M20 x 1.5	29.00	31.00	29.00	8.00	8.00	8.00	17	24
DEL-14S	M22 x 1.5	M22 x 1.5	M22 x 1.5	30.00	34.00	30.00	10.00	10.00	10.00	19	27
DEL-15L	M22 x 1.5	M22 x 1.5	M22 x 1.5	28.00	32.50	28.00	12.00	10.00	12.00	19	27
DEL-16S	M24 x 1.5	M24 x 1.5	M24 x 1.5	33.00	34.50	33.00	12.00	11.00	12.00	24	30
DEL-18L	M26 x 1.5	M26 x 1.5	M26 x 1.5	31.00	33.00	31.00	15.00	12.50	15.00	24	32
DEL-20S	M30 x 2	M30 x 2	M30 x 2	37.00	42.00	37.00	16.00	14.00	16.00	27	36
DEL-22L	M30 x 2	M30 x 2	M30 x 2	35.00	37.00	35.00	19.00	17.00	19.00	27	36
DEL-25S	M36 x 2	M36 x 2	M36 x 2	42.00	50.00	42.00	20.00	20.00	20.00	36	46
DEL-28L	M36 x 2	M36 x 2	M36 x 2	38.00	40.00	38.00	24.00	22.00	24.00	36	41
DEL-30S	M42 x 2	M42 x 2	M42 x 2	49.00	52.50	49.00	25.00	22.00	25.00	41	50
DEL-35L	M45 x 2	M45 x 2	M45 x 2	45.00	51.00	45.00	30.00	28.00	30.00	41	50
DEL-38S	M52 x 2	M52 x 2	M52 x 2	57.00	63.00	57.00	32.00	29.00	32.00	50	60
DEL-42L	M52 x 2	M52 x 2	M52 x 2	51.00	56.50	51.00	36.00	34.00	36.00	50	60

DR

Reducer Straight Adapter Male 24° - Standpipe



- DME&JDE Code: DR
- Product Type: Hydraulic adaptor
- Standard: DIN 2353
- Structure: Straight
- Connection Type: Male
- Thread Types: Metric



PART NUMBER	F (Thread)	D1	D2	C	L	S
#	Metric	mm	mm	mm	mm	mm
DR-08L-06L	M14X1.5	6	6	10	30.5	14
DR-08S-06S	M16X1.5	5	6	12	35	17
DR-10L-08L	M16X1.5	8	8	11	34.5	17
DR-10S-08S	M18X1.5	7	8	12	38	19
DR-12L-10L	M18X1.5	10	10	11	35.5	19
DR-12S-10S	M20X1.5	8	10	12	39.5	22
DR-14S-12S	M22X1.5	10	12	14	44	24
DR-15L-12L	M22X1.5	12	12	12	37	22
DR-16S-14S	M24X1.5	12	14	14	48	27
DR-18L-15L	M26X1.5	15	15	12	40.5	27
DR-20S-16S	M30X2	16	16	16	54	32
DR-22L-18L	M30X2	19	18	14	42	32
DR-25S-20S	M36X2	20	20	18	60	36
DR-28L-22L	M36X2	24	22	14	44	36
DR-30S-25S	M42X2	25	25	20	66.5	46
DR-35L-28L	M45X2	30	28	16	52.5	46
DR-38S-30S	M52X2	32	30	22	74.5	55
DR-42L-35L	M52X2	36	35	16	54.5	55

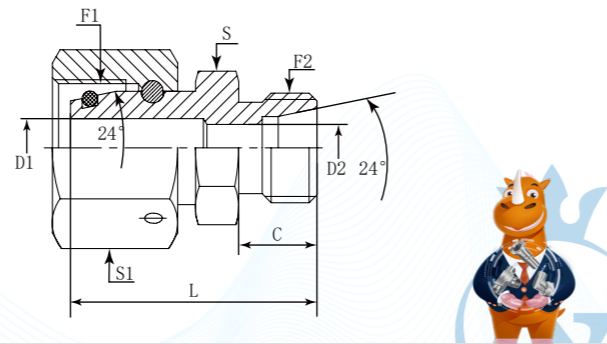


DRED-L

Swivel Reducing Connector with 24° Cone L Series



- DME&JDE Code: **DRED-L**
- Product Type: **Hydraulic adaptor**
- Standard: **DIN 2353**
- Structure: **Straight**
- Connection Type: **Swivel Female x Male**
- Thread Type: **Metric 24° Cone x Metric 24° Cone**



PART NUMBER	F1 (Thread)	F2 (Thread)	C	L	D1	D2	S	S1
#	Metric	Metric	mm	mm	mm	mm	mm	mm
DRED-06L-04LL	M12X1.5	M8X1	8.00	29.00	3.00	3.00	14.00	14.00
DRED-06L-06LL	M12X1.5	M10X1	8.00	29.00	3.00	4.50	12.00	14.00
DRED-08L-06L	M14X1.5	M12X1.5	10.00	29.00	4.00	4.00	12.00	17.00
DRED-10L-06L	M16X1.5	M12X1.5	10.00	30.50	4.00	4.00	14.00	19.00
DRED-10L-08L	M16X1.5	M14X1.5	10.00	31.00	6.00	6.00	17.00	19.00
DRED-12L-06L	M18X1.5	M12X1.5	10.00	32.00	7.50	4.00	17.00	22.00
DRED-12L-08L	M18X1.5	M14X1.5	10.00	31.00	7.50	6.00	17.00	22.00
DRED-12L-10L	M18X1.5	M16X1.5	11.00	33.00	7.50	7.50	17.00	22.00
DRED-15L-06L	M22X1.5	M12X1.5	10.00	34.00	10.00	4.00	19.00	27.00
DRED-15L-08L	M22X1.5	M14X1.5	10.00	34.00	10.00	6.00	19.00	27.00
DRED-15L-10L	M22X1.5	M16X1.5	11.00	35.50	10.00	8.00	19.00	27.00
DRED-15L-12L	M22X1.5	M18X1.5	11.00	35.50	10.00	10.00	19.00	27.00
DRED-18L-06L	M26X1.5	M12X1.5	10.00	36.00	12.50	4.00	24.00	32.00
DRED-18L-08L	M26X1.5	M14X1.5	10.00	36.00	12.50	6.00	27.00	32.00
DRED-18L-10L	M26X1.5	M16X1.5	11.00	37.00	12.50	8.00	24.00	32.00
DRED-18L-12L	M26X1.5	M18X1.5	11.00	37.50	12.50	10.00	24.00	32.00
DRED-18L-15L	M26X1.5	M22X1.5	12.00	36.50	12.00	12.00	24.00	32.00
DRED-22L-08L	M30X2	M14X1.5	10.00	37.50	17.00	6.00	27.00	36.00
DRED-22L-10L	M30X2	M16X1.5	11.00	38.00	14.00	8.00	27.00	36.00
DRED-22L-12L	M30X2	M18X1.5	11.00	39.00	14.00	10.00	27.00	36.00
DRED-22L-15L	M30X2	M22X1.5	12.00	39.00	17.00	12.00	27.00	36.00
DRED-22L-18L	M30X2	M26X1.5	12.00	41.00	15.00	15.00	27.00	36.00
DRED-28L-08L	M36X2	M14X1.5	10.00	40.50	22.00	6.00	36.00	41.00
DRED-28L-10L	M36X2	M16X1.5	11.00	41.50	22.00	8.00	36.00	41.00
DRED-28L-12L	M36X2	M18X1.5	11.00	41.50	22.00	10.00	36.00	41.00
DRED-28L-15L	M36X2	M22X1.5	12.00	42.50	22.00	12.00	36.00	41.00
DRED-28L-18L	M36X2	M26X1.5	12.00	42.50	22.00	15.00	36.00	41.00
DRED-28L-22L	M36X2	M30X2	14.00	44.50	22.00	19.00	36.00	41.00
DRED-35L-15L	M45X2	M22X1.5	12.00	46.00	28.00	12.00	41.00	50.00
DRED-35L-18L	M45X2	M26X1.5	12.00	46.00	28.00	15.00	41.00	50.00
DRED-35L-22L	M45X2	M30X2	14.00	47.50	28.00	19.00	46.00	50.00
DRED-35L-28L	M45X2	M36X2	14.00	46.00	28.00	24.00	41.00	50.00
DRED-42L-10L	M52X2	M16X1.5	11.00	47.50	34.00	8.00	50.00	60.00
DRED-42L-12L	M52X2	M18X1.5	11.00	47.50	34.00	10.00	50.00	60.00
DRED-42L-15L	M52X2	M22X1.5	12.00	48.50	34.00	12.00	50.00	60.00
DRED-42L-18L	M52X2	M26X1.5	12.00	48.50	34.00	15.00	50.00	60.00
DRED-42L-22L	M52X2	M30X2	14.00	50.00	34.00	19.00	50.00	60.00
DRED-42L-28L	M52X2	M36X2	14.00	50.00	34.00	24.00	50.00	60.00
DRED-42L-35L	M52X2	M45X2	16.00	52.00	34.00	30.00	50.00	60.00

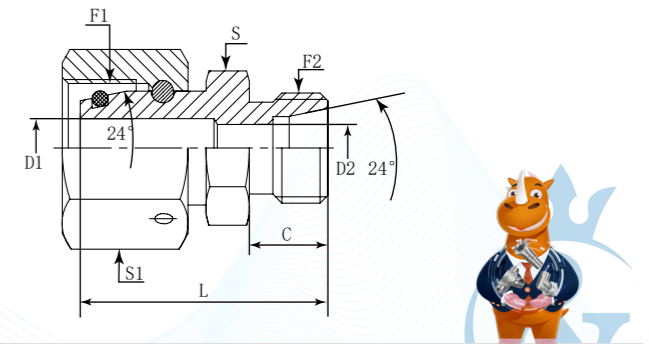


DRED-S

Swivel Reducing Connector with 24° Cone S Series



- DME&JDE Code: **DRED-S**
- Product Type: **Hydraulic adaptor**
- Standard: **DIN 2353**
- Structure: **Straight**
- Connection Type: **Swivel Female x Male**
- Thread Types: **Metric 24° Cone x Metric 24° Cone**



PART NUMBER	F1 (Thread)	F2 (Thread)	C	L	D1	D2	S	S1
#	Metric	Metric	mm	mm	mm	mm	mm	mm
DRED-08S-06S	M16X1.5	M14X1.5	12.00	34.00	4.00	4.00	14.00	19.00
DRED-10S-06S	M18X1.5	M14X1.5	12.00	35.50	5.00	4.00	17.00	22.00
DRED-10S-08S	M18X1.5	M16X1.5	12.00	35.50	5.00	5.00	17.00	22.00
DRED-12S-06S	M20X1.5	M14X1.5	12.00	34.50	8.00	4.00	17.00	24.00
DRED-12S-08S	M20X1.5	M16X1.5	12.00	34.50	8.00	5.00	17.00	24.00
DERD-12S-10S	M20X1.5	M18X1.5	12.00	35.50	8.00	7.00	19.00	24.00
DRED-14S-06S	M22X1.5	M14X1.5	12.00	38.50	8.00	4.00	19.00	27.00
DRED-14S-08S	M22X1.5	M16X1.5	12.00	38.50	8.00	5.00	19.00	27.00
DERD-14S-10S	M22X1.5	M18X1.5	12.00	38.00	7.00	7.00	19.00	27.00
DRED-14S-12S	M22X1.5	M20X1.5	12.00	43.00	8.00	8.00	22.00	27.00
DRED-16S-08S	M24X1.5	M16X1.5	12.00	36.50	10.00	5.00	22.00	30.00
DERD-16S-10S	M24X1.5	M18X1.5	12.00	36.50	10.00	7.00	22.00	30.00
DRED-16S-12S	M24X1.5	M20X1.5	12.00	37.00	10.00	8.00	22.00	30.00
DRED-16S-14S	M24X1.5	M22X1.5	14.00	43.00	10.00	10.00	24.00	30.00
DRED-20S-08S	M30X2	M16X1.5	12.00	42.00	14.00	5.00	27.00	36.00
DERD-20S-10S	M30X2	M18X1.5	12.00	42.00	14.00	7.00	27.00	36.00
DRED-20S-12S	M30X2	M20X1.5	12.00	40.00	14.00	8.00	27.00	36.00
DRED-20S-14S	M30X2	M22X1.5	14.00	42.00	14.00	10.00	27.00	36.00
DRED-20S-16S	M30X2	M24X1.5	14.00	42.00	14.00	12.00	27.00	36.00
DRED-25S-08S	M36X2	M16X1.5	12.00	45.50	18.00	5.00	32.00	46.00
DERD-25S-10S	M36X2	M18X1.5	12.00	46.50	18.00	7.00	32.00	46.00
DRED-25S-12S	M36X2	M20X1.5	12.00	46.50	18.00	8.00	32.00	46.00
DRED-25S-14S	M36X2	M22X1.5	14.00	48.00	18.00	10.00	32.00	46.00
DRED-25S-20S	M36X2	M30X2	16.00	50.00	18.00	16.00	32.00	46.00
DRED-30S-08S	M42X2	M16X1.5	12.00	47.00	22.00	5.00	41.00	50.00
DRED-30S-12S	M42X2	M20X1.5	12.00	45.50	22.00	8.00	41.00	50.00
DRED-30S-20S	M42X2	M30X2	16.00	49.50	22.00	16.00	41.00	50.00
DRED-30S-25S	M42X2	M36X2	18.00	51.50	22.00	20.00	41.00	50.00
DRED-38S-12S	M52X2	M20X1.5	12.00	54.50	30.00	8.00	50.00	60.00
DRED-38S-14S	M52X2	M22X1.5	14.00	56.50	30.00	10.00	50.00	60.00
DRED-38S-16S	M52X2	M24X1.5	14.00	56.50	30.00	12.00	50.00	60.00
DRED-38S-20S	M52X2	M30X2	16.00	58.50	30.00	16.00	50.00	60.00
DRED-38S-25S	M52X2	M36X2	18.00	60.50	30.00	20.00	50.00	60.00
DRED-38S-30S	M52X2	M42X2	20.00	60.50	30.00	25.00	50.00	60.00



DEGE-G

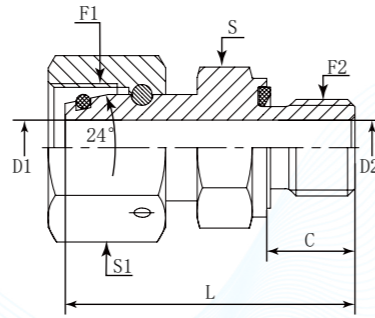
Swivel Female Connector (BSPP Male) with 24° Cone and ED Ring

German Technology Equipment

SHIELD FLEX

New-Standard

- DME&JDE Code: **DEGE-G**
- Product Type: **Hydraulic adaptor**
- Standard: **DIN 2353**
- Structure: **Straight**
- Connection Type: **Swivel Female x Male**
- Thread Type: **Metric 24° Cone x BSPP**
- Sealing Method: **ED Rings**



PART NUMBER	F1 (Thread)	F2 (Thread)	C	L	D1	D2	S	S1
#	Metric	BSPP	mm	mm	mm	mm	mm	mm
DEGE-06L-01G	M12X1.5	1/8"-28	8.00	30.50	3.00	3.00	14.00	14.00
DEGE-06L-02G	M12X1.5	1/4"-19	12.00	37.00	3.00	3.00	19.00	14.00
DEGE-06S-02G	M14X1.5	1/4"-19	12.00	36.50	3.00	3.00	19.00	17.00
DEGE-08L-02G	M14X1.5	1/4"-19	12.00	41.50	4.00	4.00	19.00	17.00
DEGE-08S-02G	M16X1.5	1/4"-19	12.00	41.50	4.00	4.00	19.00	19.00
DEGE-10L-02G	M16X1.5	1/4"-19	12.00	39.50	6.00	6.00	19.00	19.00
DEGE-10S-02G	M18X1.5	1/4"-19	12.00	38.50	6.00	6.00	19.00	22.00
DEGE-10S-03G	M18X1.5	3/8"-19	12.00	42.50	6.00	9.90	22.00	22.00
DEGE-12L-02G	M18X1.5	1/4"-19	12.00	39.50	7.50	7.50	19.00	22.00
DEGE-12L-03G	M18X1.5	3/8"-19	12.00	46.00	7.50	7.50	22.00	22.00
DEGE-12L-04G	M18X1.5	1/2"-14	14.00	43.50	8.00	8.00	27.00	22.00
DEGE-12S-03G	M20X1.5	3/8"-19	12.00	44.00	8.00	8.00	22.00	24.00
DEGE-12S-04G	M20X1.5	1/2"-14	14.00	40.50	8.00	12.00	27.00	24.00
DEGE-14S-04G	M22X1.5	1/2"-14	14.00	44.50	10.00	10.00	27.00	27.00
DEGE-15L-04G	M22X1.5	1/2"-14	14.00	46.00	12.00	12.00	27.00	27.00
DEGE-16S-04G	M24X1.5	1/2"-14	14.00	49.00	10.00	10.00	27.00	30.00
DEGE-18L-04G	M26X1.5	1/2"-14	14.00	45.50	12.50	12.50	27.00	32.00
DEGE-20S-06G	M30X2	3/4"-14	16.00	50.00	14.00	14.00	32.00	36.00
DEGE-20S-08G	M30X2	1"-11	18.00	56.50	14.00	20.00	41.00	36.00
DEGE-22L-04G	M30X2	1/2"-14	14.00	44.50	17.00	12.50	27.00	36.00
DEGE-22L-06G	M30X2	3/4"-14	16.00	47.50	17.00	17.00	32.00	36.00
DEGE-25S-08G	M36X2	1"-11	18.00	60.00	18.00	18.00	41.00	46.00
DEGE-28L-08G	M36X2	1"-11	18.00	53.00	22.00	22.00	41.00	41.00
DEGE-30S-10G	M42X2	1-1/4"-11	20.00	65.50	22.00	27.50	50.00	50.00
DEGE-35L-10G	M45X2	1-1/4"-11	20.00	60.00	27.50	27.50	50.00	50.00
DEGE-38S-12G	M52X2	1-1/2"-11	22.00	82.00	29.00	29.00	55.00	60.00
DEGE-42L-12G	M52X2	1-1/2"-11	22.00	63.00	34.00	29.00	55.00	60.00

DEGE-M

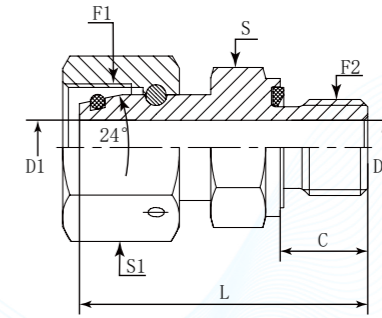
Swivel Female Connector (Metric Male) with 24° Cone and ED Ring

German Technology Equipment

SHIELD FLEX

New-Standard

- DME&JDE Code: **DEGE-M**
- Product Type: **Hydraulic adaptor**
- Standard: **DIN 2353**
- Structure: **Straight**
- Connection Type: **Swivel Female x Male**
- Thread Types: **Metric 24° Cone x Metric**
- Sealing Method: **ED Rings**



PART NUMBER	F1 (Thread)	F2 (Thread)	C	L	D1	D2	S	S1
#	Metric	Metric	mm	mm	mm	mm	mm	mm
DEGE-06L-M10	M12X1.5	M10X1	8.00	30.50	3.00	3.00	14.00	14.00
DEGE-06S-M12	M14X1.5	M12X1.5	12.00	37.00	3.00	3.00	17.00	17.00
DEGE-08L-M12	M14X1.5	M12X1.5	12.00	38.50	4.00	4.00	17.00	17.00
DEGE-08S-M14	M16X1.5	M14X1.5	12.00	36.50	4.00	4.00	19.00	19.00
DEGE-10L-M14	M16X1.5	M14X1.5	12.00	39.50	6.00	6.00	19.00	19.00
DEGE-10S-M16	M18X1.5	M16X1.5	12.00	39.00	6.00	6.00	22.00	22.00
DEGE-12S-M18	M20X1.5	M18X1.5	12.00	44.00	8.00	8.00	24.00	24.00
DEGE-15L-M18	M22X1.5	M18X1.5	12.00	43.50	11.00	11.00	24.00	27.00
DEGE-18L-M22	M26X1.5	M22X1.5	14.00	45.50	12.00	12.00	27.00	32.00
DEGE-20S-M27	M30X2	M27X2	16.00	57.00	14.00	14.00	32.00	36.00
DEGE-28L-M33	M36X2	M33X2	18.00	53.00	22.00	20.00	41.00	41.00
DEGE-35L-M42	M45X2	M42X2	20.00	60.00	28.00	28.00	50.00	50.00
DEGE-38S-M48	M52X2	M48X2	22.00	79.50	30.00	30.00	55.00	60.00
DEGE-42L-M48	M52X2	M48X2	22.00	64.00	32.00	32.00	55.00	60.00

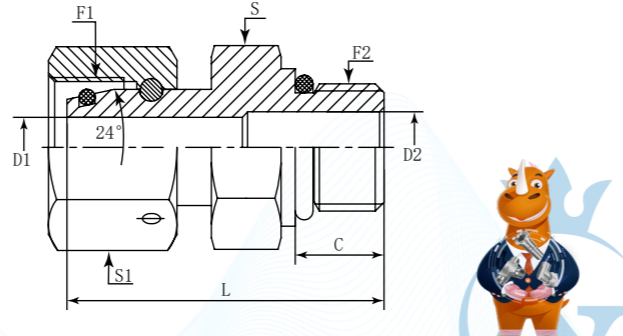


DEGE-U

DIN 2353 Swivel Female Connector SAE MALE with O Ring



- DME&JDE Code: **DEGE-M**
- Product Type: **Hydraulic adaptor**
- Standard: **DIN 2353**
- Structure: **Straight**
- Connection Type: **Swivel Female x Male**
- Thread Type: **Metric x UNF**
- Sealing Method: **O Ring**



Technical Data of DEGE-U

PART NUMBER #	F1 (Thread) METRIC	F2 (Thread) UNF	C mm	D1 mm	D2 mm	L mm	S mm	S1 mm
DEGE-06L-04U	M12 x 1.5	7/16"-20	9.14	3	3	30	14	14
DEGE-06L-05U	M12 x 1.5	1/2"-20	9.14	3	5.94	30	14	14
DEGE-06S-04U	M14 x 1.5	7/16"-20	9.14	3	4.37	31	14	17
DEGE-08L-04U	M14 x 1.5	7/16"-20	9.14	4	4	30	14	17
DEGE-08L-06U	M14 x 1.5	9/16"-18	9.93	4	7.54	31	17	17
DEGE-08S-04U	M16 x 1.5	7/16"-20	9.14	4	4	31	14	19
DEGE-08S-06U	M16 x 1.5	9/16"-18	9.93	4	7.54	32	17	19
DEGE-10L-05U	M16 x 1.5	1/2"-20	9.14	5.94	5.94	31	17	19
DEGE-10L-06U	M16 x 1.5	9/16"-18	9.93	6	7.54	32	17	19
DEGE-10L-08U	M16 x 1.5	3/4"-16	11.13	6	9.93	35.5	19	19
DEGE-10S-06U	M18 x 1.5	9/16"-18	9.93	6	6	33	19	22
DEGE-10S-08U	M18 x 1.5	3/4"-16	11.13	6	9.93	35	19	22
DEGE-12L-06U	M18 x 1.5	9/16"-18	9.93	7.5	7.5	35	19	22
DEGE-12L-08U	M18 x 1.5	3/4"-16	11.13	7.5	9.93	37.5	19	22
DEGE-12S-06U	M20 x 1.5	9/16"-18	9.93	7.54	7.54	36	19	24
DEGE-12S-08U	M20 x 1.5	3/4"-16	11.13	8	9.93	37	19	24
DEGE-14S-10U	M22 x 1.5	7/8"-14	12.7	8	12.29	43	24	27
DEGE-15L-06U	M22 x 1.5	9/16"-18	9.93	10	7.54	36	22	27
DEGE-15L-08U	M22 x 1.5	3/4"-16	11.13	9.93	9.93	36.5	19	27
DEGE-15L-10U	M22 x 1.5	7/8"-14	12.7	10	12.29	42	24	27
DEGE-16S-08U	M24 x 1.5	3/4"-16	11.13	9.93	9.93	38	22	30
DEGE-16S-10U	M24 x 1.5	7/8"-14	12.7	10	12.29	42	24	30
DEGE-16S-12U	M24 x 1.5	1"1/16-12	15.09	10	15.47	45	27	30
DEGE-18L-08U	M26 x 1.5	3/4"-16	11.13	9.93	9.93	40	27	32
DEGE-18L-10U	M26 x 1.5	7/8"-14	12.7	12.29	12.29	42	27	32
DEGE-18L-12U	M26 x 1.5	1"1/16-12	15.09	12.5	15.47	45	30	32
DEGE-20S-10U	M30 x 2	7/8"-14	12.7	12.29	12.29	46	30	36
DEGE-20S-12U	M30 x 2	1"1/16-12	15.09	14	14	49	30	36
DEGE-22L-12U	M30 x 2	1"1/16-12	15.09	15.47	15.47	47	32	36
DEGE-22L-16U	M30 x 2	1"5/16-12	15.09	17	21.44	55	36	36
DEGE-25S-16U	M36 x 2	1"5/16-12	15.09	18	21.44	55	36	46
DEGE-28L-16U	M36 x 2	1"5/16-12	15.09	21.44	21.44	53	41	41
DEGE-28L-20U	M36 x 2	1"5/8-12	15.09	22	27.38	54.5	41	41
DEGE-30S-12U	M42 x 2	1"1/16-12	15.09	22	15.47	53.5	41	50
DEGE-30S-20U	M42 x 2	1"5/8-12	15.09	22	27.38	57	46	50
DEGE-30S-24U	M42 x 2	1"7/8-12	15.09	22	33.32	62	50	50
DEGE-35L-20U	M45 x 2	1"5/8-12	15.09	27.38	27.38	54.5	46	50
DEGE-35L-24U	M45 x 2	1"7/8-12	15.09	28	33.32	60	50	50
DEGE-38S-24U	M52 x 2	1"7/8-12	15.09	30	33.32	75	50	50
DEGE-38S-32U	M52 x 2	2"1/2-12	15.09	30	45.25	79	65	60
DEGE-42L-24U	M52 x 2	1"7/8-12	15.09	33.32	33.32	60	55	60
DEGE-42L-32U	M52 x 2	2"1/2-12	15.09	34	45.25	70	65	60

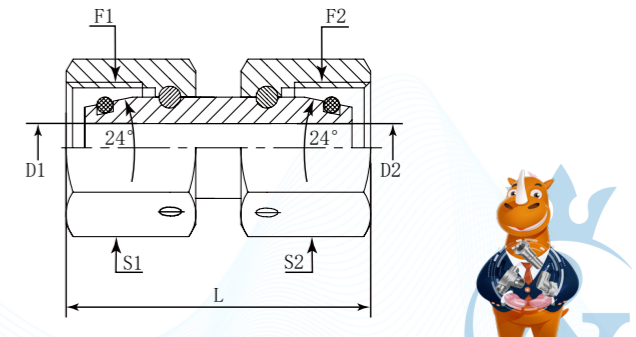


DUE

Swivel Female Connector with 24° Cone



- DME&JDE Code: **DUE**
- Product Type: **Hydraulic adaptor**
- Standard: **DIN 2353**
- Structure: **Straight**
- Connection Type: **Swivel Female x Swivel Female**
- Thread Types: **Metric 24° Cone x Metric 24° Cone**
- Sealing Method: **ED Rings**



PART NUMBER #	F1/F2 (Thread) Metric	D1/D2 mm	L mm	S1/S2 mm
DUE-06L	M12X1.5	3.00	30.00	14.00
DUE-06S	M14X1.5	3.00	32.00	17.00
DUE-08L	M14X1.5	4.00	33.00	17.00
DUE-08S	M16X1.5	4.00	33.00	19.00
DUE-10L	M16X1.5	6.00	33.00	19.00
DUE-10S	M18X1.5	6.00	33.00	22.00
DUE-12L	M18X1.5	7.50	33.00	22.00
DUE-12S	M20X1.5	8.00	37.00	24.00
DUE-14S	M22X1.5	8.00	39.00	27.00
DUE-15L	M22X1.5	10.00	37.00	27.00
DUE-16S	M24X1.5	10.00	39.00	30.00
DUE-18L	M26X1.5	12.50	36.00	32.00
DUE-20S	M30X2	14.00	53.50	36.00
DUE-22L	M30X2	17.00	42.00	36.00
DUE-25S	M36X2	18.00	55.00	46.00
DUE-28L	M36X2	22.00	45.00	41.00
DUE-30S	M42X2	22.00	52.00	50.00
DUE-35L	M45X2	28.00	48.00	50.00
DUE-38S	M52X2	30.00	61.00	60.00
DUE-42L	M52X2	34.00	48.00	60.00



DUER

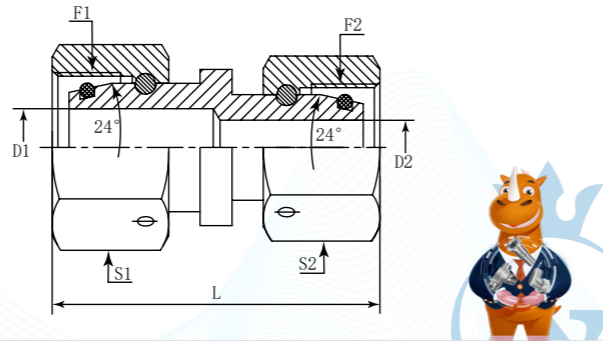
DIN 2353 Swivel Female Reducing Coupling with 24° Cone

German Technology Equipment

SHIELD FLEX

New-Standard

- DME&JDE Code: **DUER**
- Product Type: **Hydraulic adaptor**
- Standard: **DIN 2353**
- Structure: **Straight**
- Connection Type: **Swivel Female × Swivel Female**
- Thread Type: **Metric 24° Cone × Metric 24° Cone**



PART NUMBER	F1 (Thread)	F2 (Thread)	D1	D2	L	S1	S2
#	METRIC	METRIC	mm	mm	mm	mm	mm
DUER-08L-06L	M14X1.5	M12X1.5	3	3	32.5	17	14
DUER-08S-06S	M16X1.5	M14X1.5	3	3	33.5	19	17
DUER-10L-06L	M16X1.5	M12X1.5	6	3	33	19	14
DUER-10L-08L	M16X1.5	M14X1.5	6	4	32.5	19	17
DUER-10S-06S	M18X1.5	M14X1.5	6	3	34.5	22	17
DUER-10S-08S	M18X1.5	M16X1.5	6	4	34.5	22	19
DUER-12L-06L	M18X1.5	M12X1.5	7.5	3	36	22	14
DUER-12L-08L	M18X1.5	M14X1.5	7.5	4	35.5	22	17
DUER-12L-10L	M18X1.5	M16X1.5	6	6	36	22	19
DUER-12S-06S	M20X1.5	M14X1.5	8	3	37	24	17
DUER-12S-08S	M20X1.5	M16X1.5	8	4	36.5	24	19
DUER-12S-10S	M20X1.5	M18X1.5	8	6	37.5	24	22
DUER-15L-08L	M22X1.5	M14X1.5	10	4	36	27	17
DUER-15L-10L	M22X1.5	M16X1.5	10	6	36.5	27	19
DUER-15L-12L	M22X1.5	M18X1.5	10	7.5	39.5	27	22
DUER-16S-10S	M24X1.5	M18X1.5	10	6	38	30	22
DUER-16S-12S	M24X1.5	M20X1.5	10	8	40	30	24
DUER-18L-10L	M26X1.5	M16X1.5	12.5	6	37	32	19
DUER-18L-12L	M26X1.5	M18X1.5	12.5	7.5	40	32	22
DUER-18L-15L	M26X1.5	M22X1.5	12.5	10	40	32	27
DUER-20S-12S	M30X2	M20X1.5	14	8	41	36	24
DUER-20S-16S	M30X2	M24X1.5	14	10	41	36	30
DUER-22L-12L	M30X2	M18X1.5	17	7.5	41.5	36	22
DUER-22L-15L	M30X2	M22X1.5	17	10	41.5	36	27
DUER-22L-18L	M30X2	M26X1.5	17	12.5	41.5	36	32
DUER-25S-16S	M36X2	M24X1.5	18	10	47.5	46	30
DUER-25S-20S	M36X2	M30X2	18	14	48.5	46	36
DUER-28L-15L	M36X2	M22X1.5	22	10	43.5	41	27
DUER-28L-18L	M36X2	M26X1.5	22	12.5	43.5	41	32
DUER-28L-22L	M36X2	M30X2	22	17	45	41	36
DUER-30S-16S	M42X2	M24X1.5	22	10	46.5	50	30
DUER-30S-20S	M42X2	M30X2	22	14	47.5	50	36
DUER-30S-25S	M42X2	M36X2	22	18	54	50	46
DUER-35L-18L	M45X2	M26X1.5	28	12.5	45	50	32
DUER-35L-22L	M45X2	M30X2	28	17	46.5	50	36
DUER-35L-28L	M45X2	M36X2	28	22	48.5	50	41
DUER-38S-20S	M52X2	M30X2	30	14	54	60	36
DUER-38S-25S	M52X2	M36X2	30	18	60.5	60	46
DUER-38S-30S	M52X2	M42X2	30	22	59.5	60	50
DUER-42L-22L	M52X2	M30X2	34	17	48	60	36
DUER-42L-28L	M52X2	M36X2	34	22	50	60	41
DUER-42L-35L	M52X2	M45X2	34	28	51.5	60	50



DAS

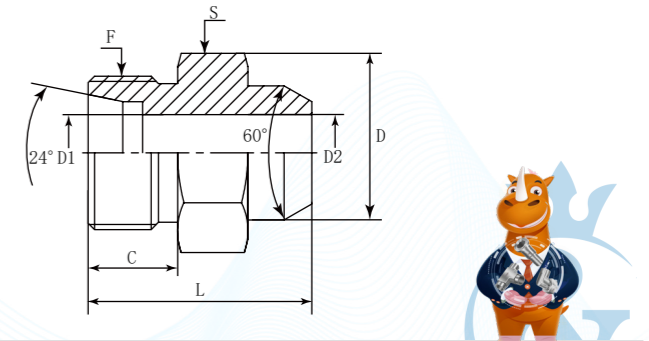
Welding Connector

German Technology Equipment

SHIELD FLEX

New-Standard

- DME&JDE Code: **DAS**
- Product Type: **Hydraulic adaptor**
- Standard: **DIN 2353**
- Structure: **Straight**
- Connection Type: **Male**
- Thread Types: **Metric**
- Sealing Method: **Welding**



PART NUMBER	F (Thread)	C	D	D1/D2	L	S
#	Metric	mm	mm	mm	mm	mm
DAS-06L	M12X1.5	10.00	10.00	4.00	21.00	12.00
DAS-06S	M14X1.5	12.00	11.00	4.00	26.00	14.00
DAS-08L	M14X1.5	10.00	12.00	6.00	23.00	14.00
DAS-08S	M16X1.5	12.00	13.00	5.00	28.00	17.00
DAS-10L	M16X1.5	11.00	14.00	8.00	25.00	17.00
DAS-12L	M18X1.5	11.00	16.00	10.00	25.00	19.00
DAS-12S	M20X1.5	12.00	17.00	8.00	32.00	22.00
DAS-15L	M22X1.5	12.00	19.00	12.00	29.00	22.00
DAS-16S	M24X1.5	14.00	21.00	12.00	35.00	27.00
DAS-18L	M26X1.5	12.00	22.00	15.00	31.00	27.00
DAS-20S	M30X2	16.00	26.00	16.00	40.00	32.00
DAS-22L	M30X2	14.00	27.00	19.00	36.00	32.00
DAS-25S	M36X2	18.00	31.00	20.00	44.00	41.00
DAS-30S	M42X2	20.00	36.00	25.00	49.00	46.00
DAS-35L	M45X2	16.00	40.00	30.00	43.00	46.00
DAS-38S	M52X2	22.00	44.00	32.00	54.00	55.00
DAS-42L	M52X2	16.00	46.00	36.00	46.00	55.00



DAK

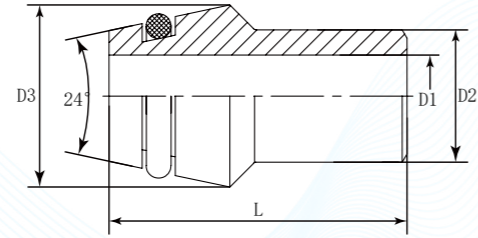
Welding Nipple with O Ring

German Technology Equipment

SHIELD FLEX

New-Standard

- DME&JDE Code: **DAK**
- Product Type: **Hydraulic adaptor**
- Standard: **DIN 2353**
- Structure: **Straight**
- Sealing Method: **Welding and O Rings**



PART NUMBER	L	D1	D2	D3
#	mm	mm	mm	mm
DAK-06L	31.00	3.00	6.00	9.00
DAK-06S	31.00	2.50	6.00	9.00
DAK-08L	31.00	5.00	8.00	11.00
DAK-08S	31.00	4.00	8.00	11.00
DAK-10L	32.50	7.00	10.00	14.00
DAK-10S	32.50	6.00	10.00	14.00
DAK-12L	32.50	8.00	12.00	16.00
DAK-12S	32.50	7.00	12.00	16.00
DAK-15L	34.00	10.00	15.00	18.00
DAK-16S	39.00	11.00	16.00	20.00
DAK-18L	35.50	13.00	18.00	21.00
DAK-20S	45.00	14.00	20.00	24.00
DAK-22L	38.50	17.00	22.00	25.00
DAK-28L	41.50	23.00	28.00	31.00

MFAD-ED

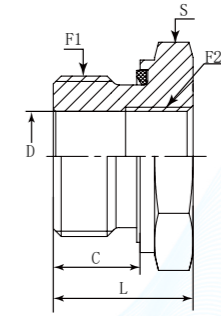
Male Female Bushing Connector BSPP with ED Ring

German Technology Equipment

SHIELD FLEX

New-Standard

- DME&JDE Code: **MFAD-ED**
- Product Type: **Hydraulic adaptor**
- Standard: **DIN 2353**
- Structure: **Straight**
- Connection Type: **Male x Female**
- Thread Types: **BSPP x BSPP**
- Sealing Method: **ED Rings**



PART NUMBER	F1 (Thread)	F2 (Thread)	C	D	L	S
#	BSPP	BSPP	mm	mm	mm	mm
MFAD-03ED-01G	3/8"-19	1/8"-28	12.00	8.00	22.50	22.00
MFAD-04ED-01G	1/2"-14	1/8"-28	14.00	8.57	24.00	27.00
MFAD-04ED-02G	1/2"-14	1/4"-19	14.00	11.45	24.00	27.00
MFAD-06ED-02G	3/4"-14	1/4"-19	16.00	11.45	26.00	32.00
MFAD-06ED-03G	3/4"-14	3/8"-19	16.00	14.95	26.00	32.00
MFAD-08ED-02G	1"-11	1/4"-19	18.00	11.45	29.00	41.00
MFAD-08ED-03G	1"-11	3/8"-19	18.00	14.95	29.00	41.00
MFAD-08ED-04G	1"-11	1/2"-14	18.00	18.63	29.00	41.00
MFAD-10ED-04G	1-1/4"-11	1/2"-14	20.00	18.63	32.00	50.00
MFAD-10ED-06G	1-1/4"-11	3/4"-14	20.00	24.12	32.00	50.00
MFAD-12ED-04G	1-1/2"-11	1/2"-14	22.00	18.63	36.00	55.00
MFAD-12ED-06G	1-1/2"-11	3/4"-14	22.00	24.12	36.00	55.00
MFAD-12ED-08G	1-1/2"-11	1"-11	22.00	30.29	36.00	55.00
MFAD-16ED-08G	2"-11	1"-11	22.00	30.29	41.00	70.00
MFAD-16ED-10G	2"-11	1-1/4"-11	22.00	38.96	41.00	70.00



MFAE-ED

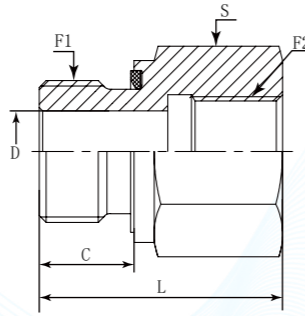
Male Female Connector BSPP with ED Ring

German Technology Equipment

SHIELD FLEX

New-Standard

- DME&JDE Code: **MFAE-ED**
- Product Type: **Hydraulic adaptor**
- Standard: **DIN 2353**
- Structure: **Straight**
- Connection Type: **Male x Female**
- Thread Types: **Metric x BSPP**
- Sealing Method: **ED Rings**



PART NUMBER	F1 (Thread)	F2 (Thread)	C	D	L	S
#	Metric	BSPP	mm	mm	mm	mm
MFAE-01ED-01G	1/8"-28	1/8"-28	8.00	4.00	23.50	14.00
MFAE-01ED-02G	1/8"-28	1/4"-19	8.00	4.00	31.00	19.00
MFAE-01ED-03G	1/8"-28	3/8"-19	8.00	4.00	32.00	24.00
MFAE-02ED-01G	1/4"-19	1/8"-28	12.00	5.00	28.00	19.00
MFAE-02ED-02G	1/4"-19	1/4"-19	12.00	5.00	35.50	19.00
MFAE-02ED-03G	1/4"-19	3/8"-19	12.00	6.00	36.00	24.00
MFAE-02ED-04G	1/4"-19	1/2"-14	12.00	5.00	40.00	27.00
MFAE-02ED-06G	1/4"-19	3/4"-14	12.00	5.00	43.00	36.00
MFAE-03ED-02G	3/8"-19	1/4"-19	12.00	8.00	36.00	22.00
MFAE-03ED-04G	3/8"-19	1/2"-14	12.00	8.00	41.00	30.00
MFAE-03ED-06G	3/8"-19	3/4"-14	12.00	8.00	44.00	36.00
MFAE-04ED-03G	1/2"-14	3/8"-19	14.00	12.30	36.00	27.00
MFAE-04ED-04G	1/2"-14	1/2"-14	14.00	12.00	39.00	27.00
MFAE-04ED-06G	1/2"-14	3/4"-14	14.00	12.00	46.00	36.00
MFAE-04ED-08G	1/2"-14	1"-11	14.00	12.00	49.00	41.00
MFAE-06ED-04G	3/4"-14	1/2"-14	16.00	16.00	41.00	32.00
MFAE-06ED-06G	3/4"-14	3/4"-14	16.00	16.00	48.00	32.00
MFAE-06ED-10G	3/4"-14	1-1/4"-11	16.00	16.00	55.00	55.00
MFAE-06ED-12G	3/4"-14	1-1/2"-11	16.00	16.00	57.00	60.00
MFAE-08ED-06G	1"-11	3/4"-14	18.00	20.00	47.00	41.00
MFAE-08ED-10G	1"-11	1-1/4"-11	18.00	20.00	57.00	55.00
MFAE-08ED-12G	1"-11	1-1/2"-11	18.00	20.00	59.00	60.00
MFAE-10ED-06G	1-1/4"-11	3/4"-14	20.00	25.00	50.00	50.00
MFAE-10ED-08G	1-1/4"-11	1"-11	20.00	25.00	52.00	50.00
MFAE-10ED-12G	1-1/4"-11	1-1/2"-11	20.00	25.00	60.00	60.00
MFAE-12ED-10G	1-1/2"-11	1-1/4"-11	22.00	32.00	58.00	55.00
MFAE-12ED-16G	1-1/2"-11	2"-11	22.00	32.00	66.00	70.00

DVSTI-GED

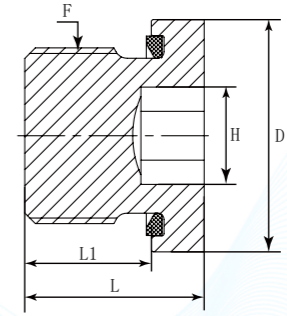
Blanking Plug BSPP for Port with ED Ring

German Technology Equipment

SHIELD FLEX

New-Standard

- DME&JDE Code: **DVSTI-GED**
- Product Type: **Hydraulic adaptor**
- Standard: **DIN 2353**
- Sealing Method: **ED Rings**
- Other Features: **Nut/Plug**



PART NUMBER	F (Thread)	D	L1	L	H
#	BSPP	mm	mm	mm	mm
DVSTI-01GED	1/8"-28	14.00	8.00	12.00	5.00
DVSTI-02GED	1/4"-19	19.00	12.00	17.00	6.00
DVSTI-03GED	3/8"-19	22.00	12.00	17.00	8.00
DVSTI-04GED	1/2"-14	27.00	14.00	19.00	10.00
DVSTI-06GED	3/4"-14	32.00	16.00	21.00	12.00
DVSTI-08GED	1"-11	39.90	16.00	22.50	17.00
DVSTI-10GED	1-1/4"-11	49.90	16.00	22.50	22.00
DVSTI-12GED	1-1/2"-11	55.00	16.00	22.50	24.00
DVSTI-16GED	2"-11	70.50	20.00	29.00	32.00



DVSTI-MED

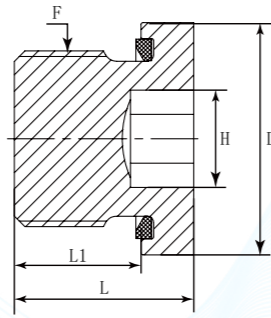
Blanking Plug Metric for Port with ED Ring

German Technology Equipment

SHIELD FLEX

New-Standard

- DME&JDE Code: DVSTI-MED
- Product Type: Hydraulic adaptor
- Adaptor Standard: DIN 2353
- Thread Types: Metric
- Sealing Method: ED Rings
- Other Features: Nut/Plug



PART NUMBER	F (Thread)	D	L1	L	H
#	Metric	mm	mm	mm	mm
DVSTI-M08ED	M8X1	12.00	8.00	12.00	4.00
DVSTI-M10ED	M10X1	14.00	8.00	12.00	5.00
DVSTI-M12ED	M12X1.5	17.00	12.00	17.00	6.00
DVSTI-M14ED	M14X1.5	19.00	12.00	17.00	6.00
DVSTI-M16ED	M16X1.5	21.90	12.00	17.00	8.00
DVSTI-M18ED	M18X1.5	23.90	12.00	17.00	8.00
DVSTI-M22ED	M22X1.5	27.00	14.00	19.00	10.00
DVSTI-M24ED	M24X1.5	29.80	14.00	19.30	10.00
DVSTI-M27ED	M27X2	31.90	16.00	21.00	12.00
DVSTI-M30ED	M30X2	39.90	16.00	22.50	17.00
DVSTI-M33ED	M33X2	39.90	16.00	22.50	17.00
DVSTI-M48ED	M48X2	55.00	16.00	22.50	24.00
DVSTI-M60ED	M60X2	70.00	18.00	25.00	27.00

Web: <https://www.dmejde.com>
E-mail: info@dmejde.com



DSVW-G

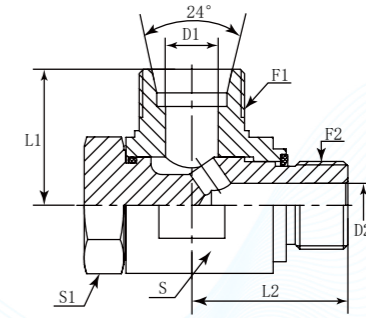
Banjo Coupling BSPP with ED Ring

German Technology Equipment

SHIELD FLEX

New-Standard

- DME&JDE Code: DSVW-G
- Product Type: Hydraulic adaptor
- Standard: DIN 2353
- Connection Type: Male x Male
- Thread Types: Metric x BSPP
- Sealing Method: ED Rings
- Other Features: Banjo



PART NUMBER	F1 (Thread)	F2 (Thread)	L1	L2	D1	D2	S1	S2
#	Metric	BSPP	mm	mm	mm	mm	mm	mm
DSVW-06L-01G	M12X1.5	1/8"-28	19	18.5	4	4	17	17
DSVW-06S-02G	M14X1.5	1/4"-19	23.5	26	4	5	22	19
DSVW-08L-02G	M14X1.5	1/4"-19	21.5	26	6	6	22	19
DSVW-08S-02G	M16X1.5	1/4"-19	23.5	26	5	5	22	19
DSVW-10L-02G	M16X1.5	1/4"-19	22.5	26	8	6	22	19
DSVW-10S-03G	M18X1.5	3/8"-19	26	28.5	7	8	27	24
DSVW-12L-03G	M18X1.5	3/8"-19	25	28.5	10	9	27	24
DSVW-12S-03G	M20X1.5	3/8"-19	26	28.5	8	8	27	24
DSVW-14S-04G	M22X1.5	1/2"-14	31	35.5	10	12	32	30
DSVW-15L-04G	M22X1.5	1/2"-14	29	35.5	12	12	32	30
DSVW-16S-04G	M24X1.5	1/2"-14	31	35.5	12	12	32	30
DSVW-18L-04G	M26X1.5	1/2"-14	29	35.5	15	12	32	30
DSVW-20S-06G	M30X2	3/4"-14	36	40	16	16	41	36
DSVW-22L-06G	M30X2	3/4"-14	34	40	19	18	41	36
DSVW-25S-08G	M36X2	1"-11	42.5	48.5	20	20	50	46
DSVW-28L-08G	M36X2	1"-11	38.5	48.5	24	23	50	46
DSVW-30S-10G	M42X2	1-1/4"-11	49.5	55.5	25	25	60	55
DSVW-35L-10G	M45X2	1-1/4"-11	45.5	55.5	30	30	60	55
DSVW-38S-12G	M52X2	1-1/2"-11	56.5	62.5	32	32	70	60
DSVW-42L-12G	M52X2	1-1/2"-11	50.5	62.5	36	36	70	60

Web: <https://www.dmejde.com>
E-mail: info@dmejde.com



DSVW-M

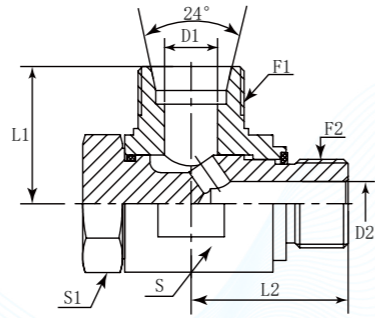
Banjo Coupling Metric with ED Ring

German Technology Equipment

SHIELD FLEX

New-Standard

- DME&JDE Code: DSVW-M
- Product Type: Hydraulic adaptor
- Standard: DIN 2353
- Adaptor Connection Type: Male x Male
- Thread Types: Metric x Metric
- Sealing Method: ED Rings
- Other Features: Banjo



PART NUMBER	F1 (Thread)	F2 (Thread)	C	L	D1	D2	S	S1
#	Metric	Metric	mm	mm	mm	mm	mm	mm
DSVW-08L-M12	M14X1.5	M12X1.5	23.10	26.00	6.00	7.00	22.00	19.00
DSVW-10L-M14	M16X1.5	M14X1.5	23.10	26.00	8.00	7.00	22.00	19.00
DSVW-12L-M16	M18X1.5	M16X1.5	25.00	28.50	10.00	9.00	27.00	24.00

DVKA

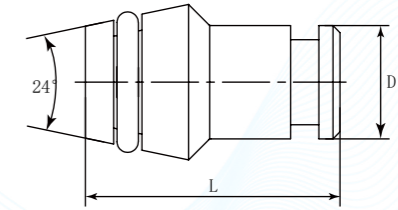
Blank Plug with O Ring Port with ED Ring

German Technology Equipment

SHIELD FLEX

New-Standard

- DME&JDE Code: DVKA
- Product Type: Hydraulic adaptor
- Standard: DIN 2353
- Sealing Method: ED Rings, O Rings



PART NUMBER	D	L
#	mm	mm
DVKA-06L/S	6.00	18.50
DVKA-08L/S	8.00	18.50
DVKA-10L/S	10.00	20.00
DVKA-12L/S	12.00	20.50
DVKA-14S	14.00	20.50
DVKA-15L	15.00	20.50
DVKA-16S	16.00	23.50
DVKA-18L	18.00	22.50
DVKA-20S	20.00	28.50
DVKA-22L	22.00	25.00
DVKA-25S	25.00	29.00
DVKA-28L	28.00	25.50
DVKA-30S	30.00	30.50
DVKA-35L	35.00	30.00
DVKA-38S	38.00	33.00
DVKA-42L	42.00	30.00

DCA

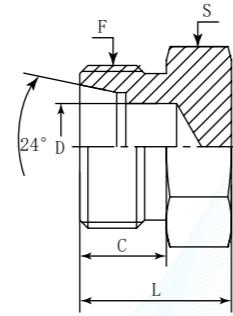
Tube Cap

German Technology Equipment

SHIELD FLEX

New-Standard

- DME&JDE Code: **DCA**
- Product Type: **Hydraulic adaptor**
- Standard: **DIN 2353**
- Connection Type: **Male**
- Thread types: **Metric**
- Other Features: **Nut/Plug**



PART NUMBER	F (Thread)	C	D	L	S
#	Metric	mm	mm	mm	mm
DCA-06L	M12X1.5	10.00	4.00	14.00	12.00
DCA-06S	M14X1.5	12.00	4.00	18.00	14.00
DCA-08L	M14X1.5	10.00	6.00	15.00	14.00
DCA-08S	M16X1.5	12.00	5.00	20.00	17.00
DCA-10L	M16X1.5	11.00	8.00	16.00	17.00
DCA-10S	M18X1.5	12.00	7.00	20.00	19.00
DCA-12L	M18X1.5	11.00	10.00	17.00	19.00
DCA-12S	M20X1.5	12.00	8.00	22.00	22.00
DCA-14S	M22X1.5	14.00	10.00	24.00	24.00
DCA-15L	M22X1.5	12.00	12.00	18.00	24.00
DCA-16S	M24X1.5	14.00	12.00	24.00	27.00
DCA-18L	M26X1.5	12.00	15.00	19.00	27.00
DCA-20S	M30X2	16.00	16.00	28.00	32.00
DCA-22L	M30X2	14.00	19.00	21.00	32.00
DCA-25S	M36X2	18.00	20.00	32.00	41.00
DCA-28L	M36X2	14.00	24.00	22.00	41.00
DCA-30S	M42X2	20.00	25.00	34.00	46.00
DCA-35L	M45X2	16.00	30.00	25.00	46.00
DCA-38S	M52X2	22.00	32.00	39.00	55.00
DCA-42L	M52X2	16.00	36.00	27.00	55.00

DN

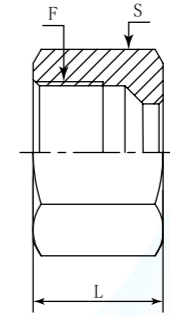
Tube Nut

German Technology Equipment

SHIELD FLEX

New-Standard

- DME&JDE Code: **DN**
- Product Type: **Hydraulic adaptor**
- Adaptor Standard: **DIN 2353**
- Thread Types: **Metric**
- Other Features: **Nut/Plug**



Technical Data of DN			
PART NUMBER	F (Thread)	L	S
#	Metric	mm	mm
DN-06L	M12 × 1.5	15.50	14.00
DN-06LL	M10 × 1	12.50	12.00
DN-06S	M14 × 1.5	16.50	17.00
DN-08L	M14 × 1.5	14.50	17.00
DN-08LL	M12 × 1	13.00	14.00
DN-08S	M16 × 1.5	16.50	19.00
DN-10L	M16 × 1.5	15.50	19.00
DN-10S	M18 × 1.5	17.50	22.00
DN-12L	M18 × 1.5	16.50	22.00
DN-12S	M20 × 1.5	17.50	24.00
DN-14S	M22 × 1.5	20.50	27.00
DN-15L	M22 × 1.5	17.00	27.00
DN-16S	M24 × 1.5	20.50	30.00
DN-18L	M26 × 1.5	18.00	32.00
DN-20S	M30 × 2	25.00	36.00
DN-22L	M30 × 2	20.00	36.00
DN-25S	M36 × 2	27.00	46.00
DN-28L	M36 × 2	21.00	41.00
DN-30S	M42 × 2	29.00	50.00
DN-35L	M45 × 2	24.00	50.00
DN-38S	M52 × 2	32.50	60.00
DN-42L	M52 × 2	24.00	60.00

Certificate:



DS

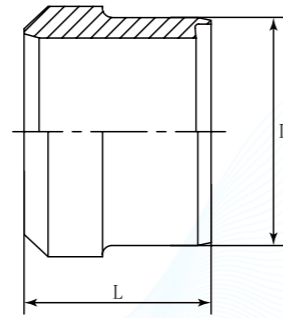
Cutting Ring

German Technology Equipment

SHIELD FLEX

New-Standard

- DME&JDE Code: DS
- Product Type: Hydraulic adaptor
- Standard: DIN 2353



PART NUMBER	L	D
#	mm	mm
DS-06L/S	9.00	8.00
DS-08L/S	9.50	10.10
DS-10L/S	10.00	12.10
DS-12L/S	10.20	14.20
DS-15L	10.50	17.35
DS-16S	10.50	18.35
DS-18L	11.00	20.35
DS-20S	12.50	22.80
DS-22L	11.00	24.35
DS-25S	13.00	27.90
DS-28L	11.50	30.35
DS-30S	13.00	32.90
DS-35L	13.50	37.80
DS-38S	13.50	40.90
DS-42L	13.50	44.90

Web: <https://www.dmejde.com>
E-mail: info@dmejde.com



DL4-GQ

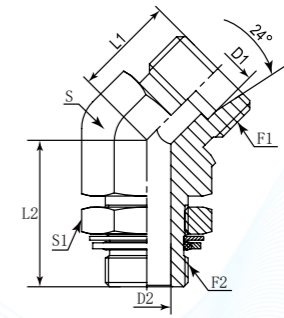
DIN 2353 Adjustable Elbow 45° BSPP Male O Ring and Retaining Ring

German Technology Equipment

SHIELD FLEX

New-Standard

- DME&JDE Code: DL4-GQ
- Product Type: Hydraulic adaptor
- Standard: DIN 2353
- Structure: 45° Elbow
- Connection Type: Male x Male
- Thread Types: Metric 24° Cone x BSPP
- Sealing Method: O Ring + Retaining Ring



PART NUMBER	F1 (Thread)	F2 (Thread)	D1	D2	L1	L2	S	S1
#	METRIC	BSPP	mm	mm	mm	mm	mm	mm
DL4-06L-01GQ	M12X1.5	1/8"-28	4	4.4	17	27	14	14
DL4-06L-02GQ	M12X1.5	1/4"-19	4	7.5	24	29	14	19
DL4-06S-02GQ	M14X1.5	1/4"-19	4	7.5	16	27	14	14
DL4-08L-02GQ	M14X1.5	1/4"-19	6	7.5	19	29	14	19
DL4-08L-03GQ	M14X1.5	3/8"-19	6	9.9	19	33	19	22
DL4-08S-02GQ	M16X1.5	1/4"-19	5	7.5	19	29	14	19
DL4-10L-02GQ	M16X1.5	1/4"-19	8	7.5	19	29	14	19
DL4-10L-03GQ	M16X1.5	3/8"-19	8	9.9	20	33	19	22
DL4-10L-04GQ	M16X1.5	1/2"-14	10	12.3	19	38.5	22	27
DL4-10S-02GQ	M18X1.5	1/4"-19	7	7.5	21	29	14	19
DL4-10S-03GQ	M18X1.5	3/8"-19	7	9.9	20	33	19	22
DL4-12L-03GQ	M18X1.5	3/8"-19	10	9.9	21	33	19	22
DL4-12L-04GQ	M18X1.5	1/2"-14	12	12.3	21	38.5	22	27
DL4-12S-03GQ	M20X1.5	3/8"-19	8	9.9	24	33	19	22
DL4-12S-04GQ	M20X1.5	1/2"-14	8	12.3	24	38.5	22	27
DL4-14S-04GQ	M22X1.5	1/2"-14	10	10.5	24	38.5	22	27
DL4-15L-03GQ	M22X1.5	3/8"-19	12	9.9	22	33	19	22
DL4-15L-04GQ	M22X1.5	1/2"-14	12	12.3	22	38.5	22	27
DL4-16S-04GQ	M24X1.5	1/2"-14	12	12.3	24	38.5	22	27
DL4-18L-04GQ	M26X1.5	1/2"-14	15	12.3	24	38.5	22	27
DL4-18L-06GQ	M26X1.5	3/4"-14	15	15.5	24	44	27	36
DL4-20S-06GQ	M30X2	3/4"-14	16	15.5	26.5	44	27	36
DL4-22L-06GQ	M30X2	3/4"-14	19	15.5	26	46	27	36
DL4-25S-06GQ	M36X2	3/4"-14	20	15.5	30.5	46	27	36
DL4-25S-08GQ	M36X2	1"-11	20	21.5	30.5	52	36	41
DL4-28L-08GQ	M36X2	1"-11	24	21.5	30.5	52	36	41
DL4-30S-08GQ	M42X2	1"-11	25	21.5	37	54	36	41
DL4-30S-10GQ	M42X2	1 1/4"-11	25	27.5	37	48.5	41	50
DL4-35L-10GQ	M45X2	1 1/4"-11	20	27.5	37	48.5	41	50
DL4-38S-10GQ	M52X2	1 1/4"-11	32	27.5	37	48.5	41	50
DL4-38S-12GQ	M52X2	1 1/2"-11	32	33	37	49	48	55
DL4-42L-12GQ	M52X2	1 1/2"-11	36	33	37	49	48	55

Web: <https://www.dmejde.com>
E-mail: info@dmejde.com

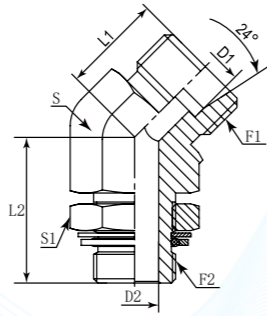


DL4-MQ

DIN 2353 Adjustable Elbow 45° Metric Male O Ring and Retaining Ring



- DME&JDE Code: DL4-MQ
- Product Type: Hydraulic adaptor
- Standard: DIN 2353
- Structure: 45° Elbow
- Connection Type: Adjustable × Male
- Thread Type: Metric 24° Cone × Metric
- Sealing Method: O Ring + Retaining Ring



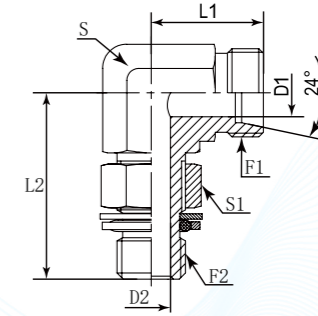
PART NUMBER	F1 (Thread)	F2 (Thread)	D1	D2	L1	L2	S	S1
#	METRIC	METRIC	mm	mm	mm	mm	mm	mm
DL4-06L-M10Q	M12X1.5	M10X1	4	4.5	17	27	14	14
DL4-06L-M14Q	M12X1.5	M14X1.5	4	7.5	24	29	14	19
DL4-06S-M12Q	M14X1.5	M12X1.5	4	4	16	27	14	17
DL4-06S-M14Q	M14X1.5	M14X1.5	4	6	16	27	14	19
DL4-08L-M12Q	M14X1.5	M12X1.5	6	4	19	27	14	17
DL4-08L-M14Q	M14X1.5	M14X1.5	6	7.5	19	29	14	19
DL4-08L-M16Q	M14X1.5	M16X1.5	6	9	19	33	19	22
DL4-08S-M14Q	M16X1.5	M14X1.5	5	6	19	29	14	19
DL4-10L-M14Q	M16X1.5	M14X1.5	8	7.5	19	29	14	19
DL4-10L-M16Q	M16X1.5	M16X1.5	8	9	20	33	19	27
DL4-10L-M22Q	M16X1.5	M22X1.5	10	14	19	38.5	22	27
DL4-10S-M14Q	M18X1.5	M14X1.5	7	6	21	29	14	19
DL4-10S-M16Q	M18X1.5	M16X1.5	7	7	20	33	19	22
DL4-12L-M16Q	M18X1.5	M16X1.5	10	9	21	33	19	22
DL4-12L-M22Q	M18X1.5	M22X1.5	12	14	21	38.5	22	27
DL4-12S-M16Q	M20X1.5	M16X1.5	8	7	24	33	19	22
DL4-12S-M18Q	M20X1.5	M18X1.5	8	9	21	33	22	24
DL4-12S-M22Q	M20X1.5	M22X1.5	8	12	24	38.5	22	27
DL4-14S-M20Q	M22X1.5	M20X1.5	10	10	24	39	22	27
DL4-15L-M16Q	M22X1.5	M16X1.5	12	9	22	33	19	22
DL4-15L-M18Q	M22X1.5	M18X1.5	12	11	24	36	22	24
DL4-15L-M22Q	M22X1.5	M22X1.5	12	14	24	42	27	27
DL4-16S-M22Q	M24X1.5	M22X1.5	12	12	24	38.5	22	27
DL4-18L-M22Q	M26X1.5	M22X1.5	15	14	24	38.5	22	27
DL4-18L-M27Q	M26X1.5	M27X2	15	18	24	44	27	32
DL4-20S-M27Q	M30X2	M27X2	16	15	26.5	44	27	32
DL4-22L-M27Q	M30X2	M27X2	19	18	26	46	27	32
DL4-25S-M27Q	M36X2	M27X2	20	15	30.5	46	27	32
DL4-25S-M33Q	M36X2	M33X2	20	20	30.5	52	36	41
DL4-28L-M33Q	M36X2	M33X2	24	23	30.5	52	36	41
DL4-30S-M33Q	M42X2	M33X2	25	20	37	54	36	41
DL4-30S-M42Q	M42X2	M42X2	25	26	37	48.5	41	50
DL4-35L-M42Q	M45X2	M42X2	20	30	37	48.5	41	50
DL4-38S-M42Q	M52X2	M42X2	32	26	37	48.5	41	50
DL4-38S-M48Q	M52X2	M48X2	32	32	37	49	48	55
DL4-42L-M48Q	M52X2	M48X2	36	36	37	49	48	55

DL-GQ

Adjustable Elbow BSPP Male ORB



- DME&JDE Code: DL-GQ
- Product Type: Hydraulic adaptor
- Standard: DIN 2353
- Structure: 90° Elbow
- Connection Type: Adjustable Male × Male
- Thread Types: Metric × BSPP + O Ring + Retaining Ring
- Sealing Method: O Ring + Retaining Ring



PART NUMBER	F1 (Thread)	F2 (Thread)	L1	L2	D1	D2	S	S1
#	Metric	BSPP	mm	mm	mm	mm	mm	mm
DL-06L-01GQ	M12X1.5	1/8"-28	19.00	26.00	4.00	4.40	12.00	14.00
DL-06S-02GQ	M14X1.5	1/4"-19	23.00	32.00	4.00	6.00	14.00	19.00
DL-08L-02GQ	M14X1.5	1/4"-19	21.00	32.00	6.00	7.50	14.00	19.00
DL-08L-03GQ	M14X1.5	3/8"-19	24.00	37.00	6.00	9.90	19.00	22.00
DL-08S-02GQ	M16X1.5	1/4"-19	24.00	32.00	5.00	7.50	14.00	19.00
DL-08S-03GQ	M16X1.5	3/8"-19	24.00	37.00	5.00	9.90	19.00	22.00
DL-10L-02GQ	M16X1.5	1/4"-19	22.00	32.00	8.00	7.50	14.00	19.00
DL-10L-03GQ	M16X1.5	3/8"-19	26.00	37.00	8.00	9.90	19.00	22.00
DL-10S-03GQ	M18X1.5	3/8"-19	25.00	37.00	7.00	9.90	19.00	22.00
DL-12L-02GQ	M18X1.5	1/4"-19	24.00	37.00	10.00	7.50	19.00	22.00
DL-12L-03GQ	M18X1.5	3/8"-19	24.00	37.00	10.00	9.90	19.00	22.00
DL-12L-04GQ	M18X1.5	1/2"-14	27.00	44.00	10.00	12.30	22.00	27.00
DL-12S-03GQ	M20X1.5	3/8"-19	29.00	37.00	8.00	9.90	22.00	22.00
DL-12S-04GQ	M20X1.5	1/2"-14	29.00	43.00	8.00	12.30	22.00	27.00
DL-14S-04GQ	M22X1.5	1/2"-14	30.00	44.00	10.00	10.50	22.00	27.00
DL-15L-03GQ	M22X1.5	3/8"-19	28.00	39.00	12.00	9.90	22.00	22.00
DL-15L-04GQ	M22X1.5	1/2"-14	28.00	44.00	12.00	12.30	22.00	27.00
DL-16S-04GQ	M24X1.5	1/2"-14	33.00	47.00	12.00	12.30	27.00	27.00
DL-18L-04GQ	M26X1.5	1/2"-14	33.00	47.00	15.00	12.30	27.00	27.00
DL-18L-06GQ	M26X1.5	3/4"-14	33.00	47.00	15.00	15.00	27.00	36.00
DL-20S-06GQ	M30X2	3/4"-14	37.00	51.00	16.00	15.50	30.00	36.00
DL-22L-06GQ	M30X2	3/4"-14	35.50	49.00	19.00	15.50	30.00	36.00
DL-25S-08GQ	M36X2	1"-11	42.00	59.00	20.00	21.50	36.00	41.00
DL-28L-08GQ	M36X2	1"-11	40.00	59.00	24.00	21.50	36.00	41.00
DL-30S-10GQ	M42X2	1-1/4"-11	49.00	59.00	25.00	27.50	41.00	50.00
DL-35L-10GQ	M45X2	1-1/4"-11	49.00	61.00	30.00	27.50	48.00	50.00
DL-38S-12GQ	M52X2	1-1/2"-11	57.00	66.00	32.00	33.00	55.00	55.00
DL-42L-12GQ	M52X2	1-1/2"-11	51.00	66.00	36.00	33.00	55.00	55.00



DL-MQ

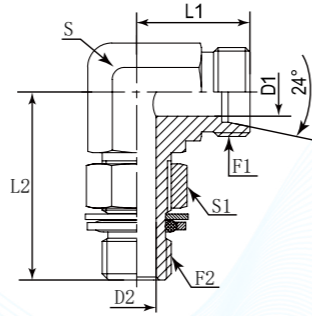
Adjustable Elbow Metric Male ORB

German Technology Equipment

SHIELD FLEX

New-Standard

- DME&JDE Code: **DL-MQ**
- Product Type: **Hydraulic adaptor**
- Standard: **DIN 2353**
- Structure: **90° Elbow**
- Connection Type: **Adjustable Male x Male**
- Thread Type: **Metric x Metric + O Ring + Retaining Ring**
- Sealing Method: **O Ring + Retaining Ring**



PART NUMBER	F1 (Thread)	F2 (Thread)	L1	L2	D1	D2	S	S1
#	Metric	Metric	mm	mm	mm	mm	mm	mm
DL-06L-M10Q	M12X1.5	M10X1	20.00	28.50	4.00	4.00	14.00	14.00
DL-06S-M12Q	M14X1.5	M12X1.5	23.00	32.00	4.00	4.00	14.00	17.00
DL-08L-M12Q	M14X1.5	M12X1.5	22.00	32.00	6.00	4.00	14.00	17.00
DL-08S-M14Q	M16X1.5	M14X1.5	25.00	36.00	5.00	6.00	19.00	19.00
DL-10L-M14Q	M16X1.5	M14X1.5	24.00	36.00	8.00	6.00	19.00	19.00
DL-10S-M16Q	M18X1.5	M16X1.5	25.00	38.00	7.00	7.00	19.00	22.00
DL-12L-M16Q	M18X1.5	M16X1.5	24.00	38.00	10.00	9.00	19.00	22.00
DL-12S-M18Q	M20X1.5	M18X1.5	29.00	40.00	8.00	9.00	22.00	24.00
DL-14S-M20Q	M22X1.5	M20X1.5	30.00	44.00	10.00	10.00	22.00	27.00
DL-15L-M18Q	M22X1.5	M18X1.5	28.00	40.00	12.00	11.00	22.00	24.00
DL-16S-M22Q	M24X1.5	M22X1.5	33.00	43.00	12.00	12.00	27.00	27.00
DL-18L-M22Q	M26X1.5	M22X1.5	31.00	46.00	15.00	14.00	27.00	27.00
DL-20S-M27Q	M30X2	M27X2	37.00	55.00	16.00	17.00	32.00	32.00
DL-22L-M27Q	M30X2	M27X2	35.50	50.50	19.00	15.00	30.00	32.00
DL-25S-M33Q	M36X2	M33X2	42.00	56.50	20.00	20.00	36.00	41.00
DL-28L-M33Q	M36X2	M33X2	40.00	56.50	24.00	23.00	36.00	41.00
DL-30S-M42Q	M42X2	M42X2	49.00	60.00	25.00	26.00	41.00	50.00
DL-35L-M42Q	M45X2	M42X2	49.00	62.00	30.00	30.00	48.00	50.00
DL-38S-M48Q	M52X2	M48X2	57.00	70.00	32.00	32.00	55.00	55.00
DL-42L-M48Q	M52X2	M48X2	52.00	70.00	36.00	36.00	55.00	55.00

DLN

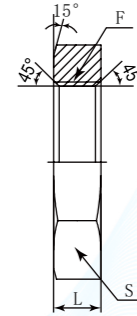
Bulkhead Nut

German Technology Equipment

SHIELD FLEX

New-Standard

- DME&JDE Code: **DLN**
- Product Type: **Hydraulic adaptor**
- Standard: **DIN 2353**
- Other Features: **Bulkhead**



PART NUMBER	F (Thread)	L	S
#	Metric	mm	mm
DLN-06L	M12X1.5	6.00	17.00
DLN-10L-08S	M16X1.5	6.00	22.00
DLN-12L-10S	M18X1.5	6.00	24.00
DLN-12S	M20X1.5	6.00	27.00
DLN-15L-14S	M22X1.5	7.00	30.00
DLN-16S	M24X1.5	7.00	32.00
DLN-18L	M26X1.5	8.00	36.00
DLN-22L H41	M30X2	8.00	41.00
DLN-22L-20S	M30X2	8.00	41.00
DLN-28L-25S	M36X2	9.00	46.00
DLN-30S	M42X2	9.00	50.00
DLN-35L	M45X2	9.00	55.00

DBUW

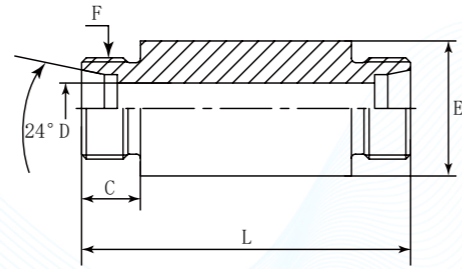
Long Hexagon Metric Male

German Technology Equipment

SHIELD FLEX

New-Standard

- DME&JDE Code: **DBUW**
- Product Type: **Hydraulic adaptor**
- Standard: **DIN 2353**
- Structure: **Straight**
- Connection Type: **Male**
- Thread types: **Metric**
- Other Features: **Hexagon**



PART NUMBER	F (Thread)	C	D	E	L
#	Metric	mm	mm	mm	mm
DBUW-06L	M12X1.5	10.00	4.00	18.00	70.00
DBUW-08L	M14X1.5	10.00	6.00	20.00	70.00
DBUW-10L	M16X1.5	11.00	8.00	22.00	72.00
DBUW-12L	M18X1.5	11.00	10.00	25.00	72.00
DBUW-12S	M20X1.5	12.00	8.00	28.00	74.00
DBUW-15L	M22X1.5	12.00	12.00	28.00	84.00
DBUW-16S	M24X1.5	14.00	12.00	35.00	88.00
DBUW-20S	M30X2	16.00	16.00	38.00	92.00

DGC

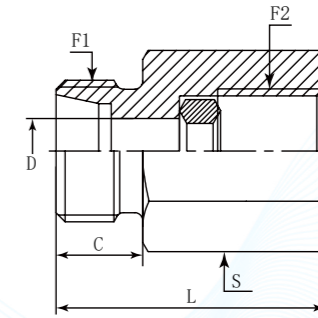
Female Connector Metric Female With DK1

German Technology Equipment

SHIELD FLEX

New-Standard

- DME&JDE Code: **DGC**
- Product Type: **Hydraulic adaptor**
- Standard: **DIN 2353**
- Structure: **Straight**
- Connection Type: **Female x Female**
- Thread Types: **Metric x BSPP**



PART NUMBER	F1 (Thread)	F2 (Thread)	C	D	L	S
#	Metric	BSPP	mm	mm	mm	mm
DGC-06L-02G	M12X1.5	1/4"-19	10.00	4.00	28.00	19.00
DGC-06S-04G	M14X1.5	1/2"-14	12.00	4.00	38.00	27.00
DGC-08L-02G	M14X1.5	1/4"-19	10.00	6.00	28.00	19.00
DGC-08S-04G	M16X1.5	1/2"-14	12.00	5.00	38.00	27.00
DGC-10L-02G	M16X1.5	1/4"-19	11.00	8.00	29.00	19.00
DGC-10S-04G	M18X1.5	1/2"-14	12.00	7.00	38.00	27.00
DGC-12L-02G	M18X1.5	1/4"-19	11.00	10.00	30.00	19.00
DGC-12S-04G	M20X1.5	1/2"-14	12.00	8.00	38.00	27.00

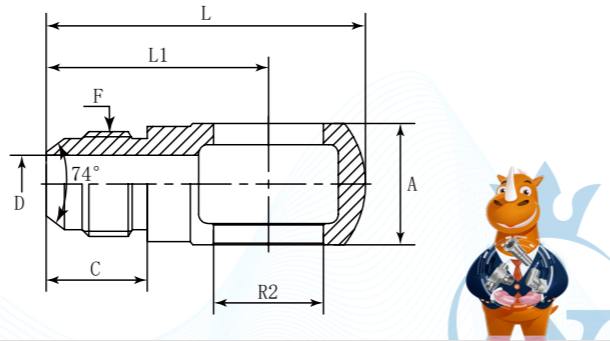


MJ-BJBP

Straight Connector JIC Male - Banjo BSP



- DME&JDE Code: MJ-BJBP
- Product Type: Hydraulic adaptor
- Standard: DIN 2353
- Structure: Straight
- Connection Type: Male
- Thread types: UNF
- Other Features: Banjo



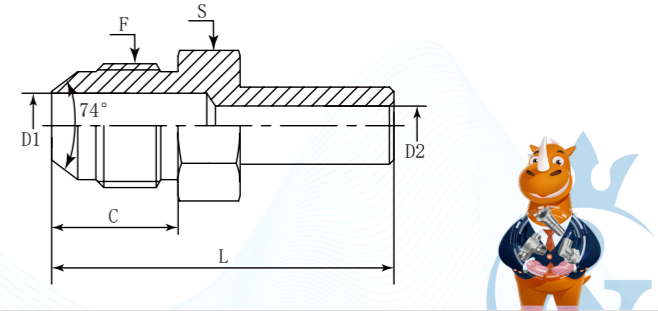
PART NUMBER	F (Thread)	A	C	D	R2	L1	L
#	UNF	mm	mm	mm	mm	mm	mm
MJ-BJBP-0402	7/16"-20	10.20	13.97	4.37	9.90	26.00	34.50
MJ-BJBP-0404	7/16"-20	15.00	13.97	4.37	13.30	29.00	41.00
MJ-BJBP-0504	1/2"-20	15.00	13.97	5.94	13.30	29.00	41.00
MJ-BJBP-0604	9/16"-18	15.00	14.12	7.54	13.30	29.00	41.00
MJ-BJBP-0606	9/16"-18	20.00	14.12	7.54	16.70	31.60	46.10
MJ-BJBP-0808	3/4"-16	25.00	16.69	9.93	21.00	41.70	58.70
MJ-BJBP-1008	7/8"-14	25.00	19.25	12.29	21.00	42.00	61.00
MJ-BJBP-1012	7/8"-14	31.00	19.25	12.29	26.50	45.00	69.00
MJ-BJBP-1212	1-1/16"-12	31.00	21.95	15.47	26.50	48.00	72.00
MJ-BJBP-1216	1-1/16"-12	42.00	21.95	15.47	33.30	57.00	87.00

DA-J

Welding Elbows



- DME&JDE Code: DA-J
- Product Type: Hydraulic adaptor
- Standard: DIN 2353
- Structure: straight
- Connection Type: Male
- Thread types: UNF
- Sealing Method: Welding



PART NUMBER	F (Thread)	C	D1	D2	L	S
#	UNF	mm	mm	mm	mm	mm
DA-06L-04J	7/16"-20	13.97	4.37	3.50	39.00	12.70
DA-08L-04J	7/16"-20	13.97	4.37	4.37	40.50	12.70
DA-08L-06J	9/16"-18	14.12	7.54	4.50	42.00	15.88
DA-10L-04J	7/16"-20	13.97	4.37	6.00	41.00	12.70
DA-10L-06J	9/16"-18	14.12	7.54	6.00	42.00	15.88
DA-10L-08J	3/4"-16	16.69	9.93	6.00	45.00	20.64
DA-12L-05J	1/2"-20	13.97	5.94	8.00	46.50	14.28
DA-12L-06J	9/16"-18	14.12	7.54	7.54	47.20	15.88
DA-12L-08J	3/4"-16	16.69	9.93	8.00	50.00	20.64
DA-15L-08J	3/4"-16	16.69	9.93	11.00	47.50	20.64
DA-15L-10J	7/8"-14	19.25	11.00	11.00	51.00	23.83
DA-18L-10J	7/8"-14	19.25	12.29	14.00	49.00	23.83
DA-18L-12J	1-1/16"-12	21.95	15.47	14.00	52.50	28.58
DA-22L-12J	1-1/16"-12	21.95	15.47	18.00	55.50	28.58
DA-22L-16J	1-5/16"-12	23.14	21.44	18.00	56.50	34.93
DA-28L-16J	1-5/16"-12	23.14	21.44	23.00	57.10	34.93
DA-35L-20J	1-5/8"-12	24.33	27.38	29.50	67.80	42.86
DA-35L-24J	1-7/8"-12	27.51	33.32	29.50	72.00	50.80



DEGE-JC

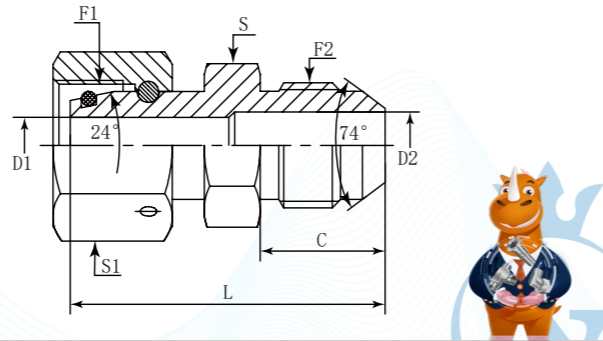
Swivel Female Connector JIC Male with 24° Cone

German Technology Equipment

SHIELD FLEX

New-Standard

- DME&JDE Code: **DEGE-JC**
- Product Type: **Hydraulic adaptor**
- Standard: **DIN 2353**
- Structure: **Straight**
- Connection Type: **Swivel Female × Male**
- Thread Types: **Metric × JIC UNF 24° Cone**



PART NUMBER	F1 (Thread)	F2 (Thread)	C	D1	D2	L	S	S1
#	Metric	UNF	mm	mm	mm	mm	mm	mm
DEGE-06L-04JC	M12X1.5	7/16"-20	13.97	3.00	3.00	35.00	14.00	14.00
DEGE-06L-05JC	M12X1.5	1/2"-20	13.97	3.00	5.94	35.00	14.00	14.00
DEGE-06S-04JC	M14X1.5	7/16"-20	13.97	3.00	4.37	36.00	14.00	17.00
DEGE-08L-04JC	M14X1.5	7/16"-20	13.97	4.00	4.00	35.00	14.00	17.00
DEGE-08L-06JC	M14X1.5	9/16"-18	14.12	4.00	7.54	36.00	17.00	17.00
DEGE-08S-04JC	M16X1.5	7/16"-20	13.97	4.00	4.00	36.00	14.00	19.00
DEGE-08S-06JC	M16X1.5	9/16"-18	14.12	4.00	7.54	37.00	17.00	19.00
DEGE-10L-05JC	M16X1.5	1/2"-20	13.97	5.94	5.94	36.00	17.00	19.00
DEGE-10L-06JC	M16X1.5	9/16"-18	14.12	6.00	7.54	37.00	17.00	19.00
DEGE-10L-08JC	M16X1.5	3/4"-16	16.69	6.00	9.93	40.50	19.00	19.00
DEGE-10S-06JC	M18X1.5	9/16"-18	14.12	6.00	6.00	38.00	19.00	22.00
DEGE-10S-08JC	M18X1.5	3/4"-16	16.69	6.00	9.93	40.50	19.00	22.00
DEGE-12L-06JC	M18X1.5	9/16"-18	14.12	7.50	7.50	40.00	19.00	22.00
DEGE-12L-08JC	M18X1.5	3/4"-16	16.69	7.50	9.93	42.50	19.00	22.00
DEGE-12S-06JC	M20X1.5	9/16"-18	14.12	7.54	7.54	41.00	19.00	24.00
DEGE-12S-08JC	M20X1.5	3/4"-16	16.69	8.00	9.93	43.50	19.00	24.00
DEGE-14S-10JC	M22X1.5	7/8"-14	19.25	8.00	12.29	48.50	24.00	27.00
DEGE-15L-06JC	M22X1.5	9/16"-18	14.12	10.00	7.54	41.00	22.00	27.00
DEGE-15L-08JC	M22X1.5	3/4"-16	16.69	9.93	9.93	41.50	19.00	27.00
DEGE-15L-10JC	M22X1.5	7/8"-14	19.25	10.00	12.29	47.00	24.00	27.00
DEGE-16S-08JC	M24X1.5	3/4"-16	16.69	9.93	9.93	43.00	22.00	30.00
DEGE-16S-10JC	M24X1.5	7/8"-14	19.25	10.00	12.29	47.50	24.00	30.00
DEGE-16S-12JC	M24X1.5	1-1/16"-12	21.95	10.00	15.47	50.00	27.00	30.00
DEGE-18L-08JC	M26X1.5	3/4"-16	16.69	9.93	9.93	45.00	27.00	32.00
DEGE-18L-10JC	M26X1.5	7/8"-14	19.25	12.29	12.29	47.50	27.00	32.00
DEGE-18L-12JC	M26X1.5	1-1/16"-12	21.95	12.50	15.47	50.00	30.00	32.00
DEGE-20S-10JC	M30X2	7/8"-14	19.25	12.29	12.29	51.50	30.00	36.00
DEGE-20S-12JC	M30X2	1-1/16"-12	21.95	14.00	14.00	54.50	30.00	36.00
DEGE-22L-12JC	M30X2	1-1/16"-12	21.95	15.47	15.47	53.00	32.00	36.00
DEGE-22L-16JC	M30X2	1-5/16"-12	23.14	17.00	21.44	55.50	36.00	36.00
DEGE-25S-16J	M36X2	1-5/16"-12	23.14	18.00	21.44	60.50	36.00	46.00
DEGE-28L-20JC	M36X2	1-5/8"-12	24.33	22.00	27.38	59.50	41.27	41.00
DEGE-30S-12JC	M42X2	1-1/16"-12	21.95	22.00	15.47	58.50	41.00	50.00
DEGE-30S-20JC	M42X2	1-5/8"-12	24.33	22.00	27.38	62.00	46.00	50.00
DEGE-30S-24JC	M42X2	1-7/8"-12	27.51	22.00	33.32	67.00	50.00	50.00
DEGE-35L-20JC	M45X2	1-5/8"-12	24.33	27.38	27.38	59.50	46.00	50.00
DEGE-35L-24JC	M45X2	1-7/8"-12	27.51	28.00	33.32	65.50	50.00	50.00
DEGE-38S-32JC	M52X2	2-1/2"-12	33.86	30.00	45.25	87.50	65.00	60.00
DEGE-42L-24JC	M52X2	1-7/8"-12	27.51	33.32	33.32	65.50	55.00	60.00
DEGE-42L-32JC	M52X2	2-1/2"-12	33.86	34.00	45.25	75.50	65.00	60.00

DEGE-GQ

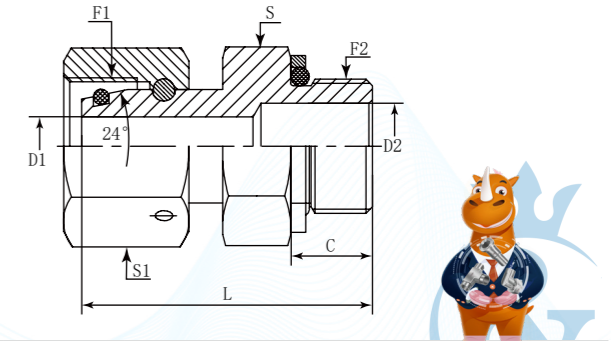
Swivel Female Connector BSPP Male with 24° Cone and O Ring + Retaining Ring

German Technology Equipment

SHIELD FLEX

New-Standard

- DME&JDE Code: **DEGE-GQ**
- Product Type: **Hydraulic adaptor**
- Standard: **DIN 2353**
- Structure: **straight**
- Connection Type: **Swivel Female × Male**
- Thread types: **Metric × BSPP 24° Cone+ O Ring + Retaining Ring**
- Sealing Method: **O Ring + Retaining Ring**



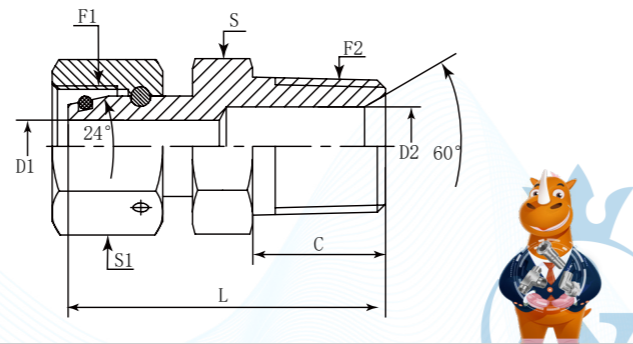
PART NUMBER	F1 (Thread)	F2 (Thread)	C	L	D1	D2	S	S1
#	Metric	BSPP	mm	mm	mm	mm	mm	mm
DEGE-10L-03GQ	M16X1.5	3/8"-19	11.20	6.00	9.90	33.50	22.00	19.00
DEGE-10S-02GQ	M18X1.5	1/4"-19	11.20	6.00	7.50	35.00	19.00	22.00
DEGE-12S-04GQ	M20X1.5	1/2"-14	14.50	8.00	12.30	40.00	30.00	24.00

DEGE-N

Swivel Female Connector (NPTF Male) with 24° Cone



- DME&JDE Code: **DEGE-N**
- Product Type: **Hydraulic adaptor**
- Standard: **DIN 2353**
- Structure: **Straight**
- Connection Type: **Swivel Female × Male**
- Thread Types: **Metric × NPTF 24° Cone**



PART NUMBER	F1 (Thread)	F2 (Thread)	C	D1	D2	L	S	S1
#	Metric	NPTF	mm	mm	mm	mm	mm	mm
DEGE-06L-01N	M12X1.5	1/8"-27	9.65	3.00	4.78	31.00	14.00	14.00
DEGE-06S-02N	M14X1.5	1/4"-18	14.22	3.00	7.14	37.00	17.00	17.00
DEGE-08L-02N	M14X1.5	1/4"-18	14.22	4.00	7.14	37.00	17.00	17.00
DEGE-08S-02N	M16X1.5	1/4"-18	14.22	4.00	7.14	36.00	14.00	19.00
DEGE-10L-02N	M16X1.5	1/4"-18	14.22	6.00	6.00	38.50	17.00	19.00
DEGE-10S-03N	M18X1.5	3/8"-18	14.22	6.00	10.31	38.00	19.00	22.00
DEGE-12L-02N	M18X1.5	1/4"-18	14.22	7.14	7.14	40.00	19.00	22.00
DEGE-12L-03N	M18X1.5	3/8"-18	14.22	7.50	10.31	40.00	19.00	22.00
DEGE-12S-03N	M20X1.5	3/8"-18	14.22	8.00	10.31	41.00	19.00	24.00
DEGE-14S-04N	M22X1.5	1/2"-14	19.05	8.00	13.49	47.50	22.00	27.00
DEGE-15L-04N	M22X1.5	1/2"-14	19.05	10.00	13.49	46.00	22.20	27.00
DEGE-16S-04N	M24X1.5	1/2"-14	19.05	10.00	13.49	46.00	22.00	30.00
DEGE-18L-04N	M26X1.5	1/2"-14	19.05	12.50	12.50	48.00	27.00	32.00
DEGE-20S-06N	M30X2	3/4"-14	19.05	14.00	18.26	51.50	30.00	36.00
DEGE-22L-06N	M30X2	3/4"-14	19.05	17.00	17.00	50.00	31.75	36.00
DEGE-25S-08N	M36X2	1"-11-1/2	23.88	18.00	23.83	61.20	36.00	46.00
DEGE-28L-08N	M36X2	1"-11-1/2	23.88	22.00	23.83	58.50	36.00	41.00
DEGE-30S-10N	M42X2	1-1/4"-11-1/2	24.64	22.00	31.75	62.00	46.00	50.00
DEGE-35L-10N	M45X2	1-1/4"-11-1/2	24.64	28.00	31.75	60.00	46.00	50.00
DEGE-38S-12N	M52X2	1-1/2"-11-1/2	25.40	30.00	38.10	79.50	50.00	60.00
DEGE-42L-12N	M52X2	1-1/2"-11-1/2	25.40	34.00	38.10	64.00	55.00	60.00

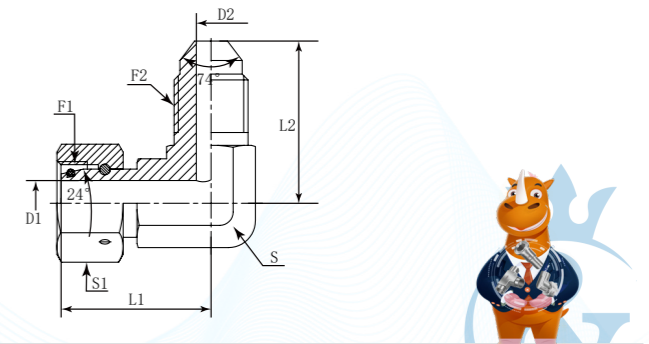


DEWGE

DIN 2353 Swivel Adjustable 90° Elbow JIC Male



- DME&JDE Code: **DEWGE**
- Product Type: **Hydraulic adaptor**
- Standard: **DIN 2353**
- Structure: **90° Elbow**
- Connection Type: **Adjustable Swivel Female × Male**
- Thread types: **Metric × UNF**



PART NUMBER	F1 (Thread)	F2 (Thread)	D1	D2	L1	L2	S	S1
#	METRIC	UNF	mm	mm	mm	mm	mm	mm
DEWGE-06L-04JC	M12X1.5	7/16"-20	3	4.37	23.5	22.61	11.1	14
DEWGE-06S-04JC	M14X1.5	7/16"-20	3	4.37	24	22.61	11	17
DEWGE-08S-06JC	M16X1.5	9/16"-18	4	7.54	27	27	14	19
DEWGE-08L-06JC	M14X1.5	9/16"-18	4	7.54	25.5	27	14	17
DEWGE-10S-06JC	M18X1.5	9/16"-18	6	7.54	30	29	19	22
DEWGE-10L-06JC	M16X1.5	9/16"-18	6	7.54	27	27	14	19
DEWGE-12L-08JC	M18X1.5	3/4"-16	7.5	9.93	28.5	31.5	19	22
DEWGE-12S-08JC	M20X1.5	3/4"-16	8	9.93	31	31.5	19	24
DEWGE-15L-10JC	M22X1.5	7/8"-14	10	12.29	33	36.5	22	27
DEWGE-16S-10JC	M24X1.5	7/8"-14	10	12.29	34.5	36.5	22	30
DEWGE-18L-12JC	M26X1.5	1-1/16"-12	12.5	15.47	36	42	27	32
DEWGE-20S-12JC	M30X2	1-1/16"-12	14	15.47	42	42	27	36
DEWGE-30S-20JC	M42X2	1-5/8"-12	22	27.38	52.5	52	41	50
DEWGE-22L-16JC	M30X2	1-5/16"-12	17	21.44	40.5	46	33	36
DEWGE-25S-16JC	M36X2	1-5/16"-12	18	21.44	47	46	33	46
DEWGE-28L-16JC	M36X2	1-5/16"-12	22	21.44	42	46	33	41
DEWGE-35L-20JC	M45X2	1-5/8"-12	28	27.38	51	52	41	50
DEWGE-42L-24JC	M52X2	1-7/8"-12	34	33.32	55.5	59	48	60



DGE

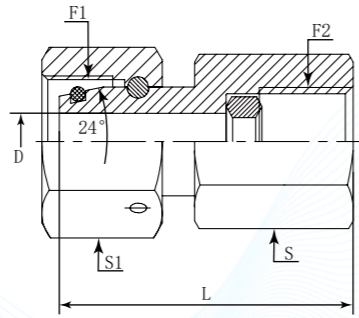
Swivel Connector (Metric Female) with 24° Cone and DKI

German Technology Equipment

SHIELD FLEX

New-Standard

- DME&JDE Code: **DGE**
- Product Type: **Hydraulic adaptor**
- Standard: **DIN 2353**
- Structure: **Straight**
- Connection Type: **Swivel Female × Swivel Female**
- Thread Types: **Metric 24° Cone × BSPP**



PART NUMBER	F1 (Thread)	F2 (Thread)	C	D	L	S
#	Metric	BSPP	mm	mm	mm	mm
DGE-06L-02G	M12X1.5	1/4"-19	3.00	35.00	19.00	14.00
DGE-08L-02G	M14X1.5	1/4"-19	4.00	36.00	19.00	17.00
DGE-08S-02G	M16X1.5	1/4"-19	4.00	36.00	19.00	19.00
DGE-08S-04G	M16X1.5	1/2"-14	4.00	42.50	27.00	19.00
DGE-10L-02G	M16X1.5	1/4"-19	6.00	35.00	19.00	19.00
DGE-10S-04G	M18X1.5	1/2"-14	6.00	42.50	27.00	22.00
DGE-12L-02G	M18X1.5	1/4"-19	5.50	36.50	19.00	22.00
DGE-12S-04G	M20X1.5	1/2"-14	8.00	45.00	27.00	24.00



DLS

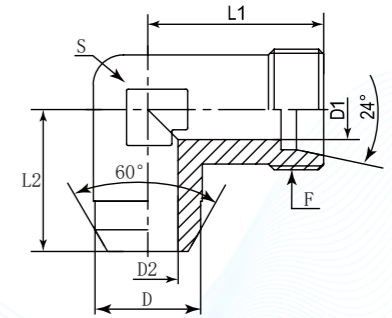
Welding Elbows

German Technology Equipment

SHIELD FLEX

New-Standard

- DME&JDE Code: **DLS**
- Product Type: **Hydraulic adaptor**
- Standard: **DIN 2353**
- Adaptor structure: **90° Elbow**
- Adaptor Connection Type: **Male**
- Thread Types: **Metric**
- Sealing Method: **Welding**



PART NUMBER	F (Thread)	L1	L2	D1	D2	D	S
#	Metric	mm	mm	mm	mm	mm	mm
DLS-08L	M14X1.5	21.00	23.00	6.00	6.00	12.00	12.00
DLS-10L	M16X1.5	22.00	22.00	8.00	8.00	14.00	14.00
DLS-12S	M20X1.5	29.00	29.00	8.00	8.00	17.00	17.00
DLS-15L	M22X1.5	28.00	28.00	12.00	12.00	19.00	19.00
DLS-16S	M24X1.5	32.00	25.00	12.00	12.00	21.00	22.00
DLS-20S	M30X2	37.00	37.00	16.00	16.00	26.00	27.00
DLS-22L	M30X2	35.00	35.00	19.00	19.00	27.00	27.00
DLS-25S	M36X2	42.00	42.00	20.00	20.00	31.00	36.00
DLS-30S	M42X2	49.00	49.00	25.00	25.00	36.00	41.00
DLS-42L	M52X2	51.00	51.00	36.00	36.00	46.00	50.00

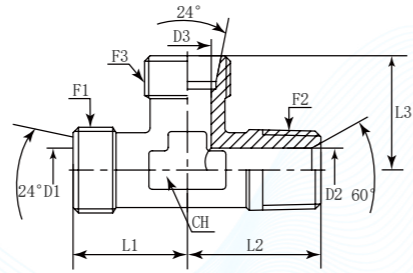


DTLM

Adjustable Run Tee with BSPT Male



- DME&JDE Code: **DTLM**
- Product Type: **Hydraulic adaptor**
- Standard: **DIN 2353**
- Structure: **Run Tee**
- Connection Type: **Adjustable male x Male x male**
- Thread types: **Metric x BSPT x Metric**



PART NUMBER	F1 (Thread)	F2 (Thread)	F3 (Thread)	D1	D2	D3	L1	L2	L3	CH
#	METRIC	BSPT	METRIC	mm	mm	mm	mm	mm	mm	mm
DTLM-06L-01R	M12X1.5	1/8"-28	M12X1.5	4.00	4.50	4.00	19.00	20.00	19.00	12.00
DTLM-06L-02R	M12X1.5	1/4"-19	M12X1.5	4.00	6.00	4.00	21.00	26.00	21.00	12.00
DTLM-06S-02R	M14X1.5	1/4"-19	M14X1.5	4.00	6.00	4.00	23.00	26.00	23.00	12.00
DTLM-08L-02R	M14X1.5	1/4"-19	M14X1.5	6.00	6.00	6.00	21.00	26.00	21.00	12.00
DTLM-08L-03R	M14X1.5	3/8"-19	M14X1.5	6.00	9.00	6.00	24.00	28.00	24.00	17.00
DTLM-08S-02R	M16X1.5	1/4"-19	M16X1.5	5.00	6.00	5.00	24.00	27.00	24.00	14.00
DTLM-10L-02R	M16X1.5	1/4"-19	M16X1.5	8.00	6.00	8.00	22.00	27.00	22.00	14.00
DTLM-10L-03R	M16X1.5	3/8"-19	M16X1.5	8.00	9.00	8.00	24.00	28.00	24.00	17.00
DTLM-10L-04R	M16X1.5	1/2"-14	M16X1.5	8.00	12.00	8.00	24.00	34.00	24.00	19.00
DTLM-10S-03R	M18X1.5	3/8"-19	M18X1.5	7.00	9.00	7.00	25.00	28.00	25.00	17.00
DTLM-12L-03R	M18X1.5	3/8"-19	M18X1.5	10.00	9.00	10.00	24.00	28.00	24.00	17.00
DTLM-12L-04R	M18X1.5	1/2"-14	M18X1.5	10.00	12.00	10.00	24.00	32.00	24.00	22.00
DTLM-12S-03R	M20X1.5	3/8"-19	M20X1.5	8.00	9.00	8.00	29.00	29.00	29.00	17.00
DTLM-12S-04R	M20X1.5	1/2"-14	M20X1.5	8.00	12.00	8.00	29.00	32.00	29.00	19.00
DTLM-14S-03R	M22X1.5	3/8"-19	M22X1.5	10.00	9.00	10.00	30.00	30.00	30.00	19.00
DTLM-14S-04R	M22X1.5	1/2"-14	M22X1.5	10.00	12.00	10.00	30.00	34.00	30.00	19.00
DTLM-15L-03R	M22X1.5	3/8"-19	M22X1.5	12.00	9.00	12.00	28.00	30.00	28.00	19.00
DTLM-15L-04R	M22X1.5	1/2"-14	M22X1.5	12.00	12.00	12.00	28.00	34.00	28.00	19.00
DTLM-16S-03R	M24X1.5	3/8"-19	M24X1.5	12.00	9.00	12.00	33.00	37.00	33.00	24.00
DTLM-16S-04R	M24X1.5	1/2"-14	M24X1.5	12.00	12.00	12.00	33.00	36.00	33.00	24.00
DTLM-18L-04R	M26X1.5	1/2"-14	M26X1.5	15.00	12.00	15.00	31.00	36.00	31.00	24.00
DTLM-18L-06R	M26X1.5	3/4"-14	M26X1.5	15.00	16.70	15.00	34.00	42.00	34.00	27.00
DTLM-20S-04R	M30X2	1/2"-14	M30X2	16.00	12.00	16.00	37.00	41.00	37.00	27.00
DTLM-20S-06R	M30X2	3/4"-14	M30X2	16.00	16.70	16.00	37.00	42.00	37.00	27.00
DTLM-22L-06R	M30X2	3/4"-14	M30X2	19.00	16.70	19.00	35.00	42.00	35.00	27.00
DTLM-25S-06R	M36X2	3/4"-14	M36X2	20.00	16.70	20.00	42.00	46.00	42.00	36.00
DTLM-25S-08R	M36X2	1"-11	M36X2	20.00	22.20	20.00	42.00	48.00	42.00	36.00
DTLM-28L-08R	M36X2	1"-11	M36X2	24.00	22.20	24.00	38.00	48.00	38.00	36.00
DTLM-30S-08R	M42X2	1"-11	M42X2	25.00	22.20	25.00	49.00	55.00	49.00	41.00
DTLM-30S-10R	M42X2	1-1/4"-11	M42X2	25.00	28.60	25.00	49.00	55.00	49.00	41.00
DTLM-35L-10R	M45X2	1-1/4"-11	M45X2	30.00	28.60	30.00	45.00	55.00	45.00	41.00
DTLM-38S-12R	M52X2	1-1/2"-11	M52X2	32.00	33.30	32.00	57.00	61.00	57.00	50.00
DTLM-42L-12R	M52X2	1-1/2"-11	M52X2	36.00	33.30	36.00	51.00	61.00	51.00	50.00

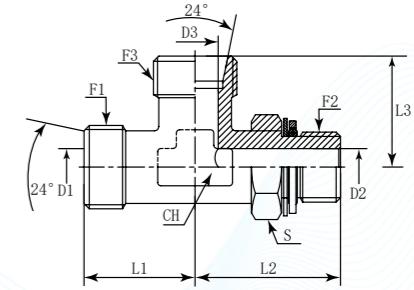


DTL-MQ

DIN 2353 Adjustable Run Tee with Metric Male O Ring and Retaining Ring



- DME&JDE Code: **DTL-MQ**
- Product Type: **Hydraulic adaptor**
- Standard: **DIN 2353**
- Structure: **Run Tee**
- Connection Type: **Adjustable Male x Male x Male**
- Thread Types: **Metric x Metric x Metric**
- Sealing Method: **O Ring + Retaining Ring**



PART NUMBER	F1 (Thread)	F2 (Thread)	F3 (Thread)	D1	D2	D3	L1	L2	L3	CH	S
#	METRIC	METRIC	METRIC	mm	mm	mm	mm	mm	mm	mm	mm
DTL-06L-M10Q	M12X1.5	M10X1	M12X1.5	4.00	4.40	4.00	19.00	26.00	19.00	12.00	14
DTL-06S-M12Q	M14X1.5	M12X1.5	M14X1.5	4.00	6.00	4.00	23.00	31.00	23.00	14.00	17
DTL-06S-M14Q	M14X1.5	M14X1.5	M14X1.5	4.00	7.50	4.00	23.00	32.00	23.00	14.00	19
DTL-08L-M12Q	M14X1.5	M12X1.5	M14X1.5	6.00	6.00	6.00	21.00	31.00	21.00	14.00	17
DTL-08L-M14Q	M14X1.5	M14X1.5	M14X1.5	6.00	7.50	6.00	21.00	32.00	21.00	14.00	19
DTL-08L-M16Q	M14X1.5	M16X1.5	M14X1.5	6.00	9.90	6.00	24.00	37.00	24.00	19.00	22
DTL-08S-M14Q	M16X1.5	M14X1.5	M16X1.5	5.00	7.50	5.00	24.00	32.00	24.00	19.00	19
DTL-08S-M16Q	M16X1.5	M16X1.5	M16X1.5	5.00	9.90	5.00	24.00	37.00	24.00	19.00	22
DTL-10L-M14Q	M16X1.5	M14X1.5	M16X1.5	8.00	7.50	8.00	22.00	32.00	22.00	14.00	19
DTL-10L-M16Q	M16X1.5	M16X1.5	M16X1.5	8.00	9.90	8.00	26.00	37.00	26.00	19.00	22
DTL-10L-M20Q	M16X1.5	M20X1.5	M16X1.5	8.00	12.30	8.00	27.00	44.00	27.00	22.00	27
DTL-10S-M16Q	M18X1.5	M16X1.5	M18X1.5	7.00	9.90	7.00	25.00	37.00	25.00	19.00	22
DTL-12L-M14Q	M18X1.5	M14X1.5	M18X1.5	10.00	7.50	10.00	24.00	37.00	24.00	19.00	19
DTL-12L-M16Q	M18X1.5	M16X1.5	M18X1.5	10.00	9.90	10.00	24.00	37.00	24.00	19.00	22
DTL-12L-M20Q	M18X1.5	M20X1.5	M18X1.5	10.00	12.30	10.00	27.00	44.00	27.00	22.00	27
DTL-12S-M16Q	M20X1.5	M16X1.5	M20X1.5	8.00	9.90	8.00	29.00	37.00	29.00	22.00	22
DTL-12S-M18Q	M20X1.5	M18X1.5	M20X1.5	8.00	9.00	8.00	29.00	38.00	29.00	19.00	24
DTL-12S-M20Q	M20X1.5	M20X1.5	M20X1.5	8.00	12.30	8.00	29.00	43.00	29.00	22.00	27
DTL-14S-M20Q	M22X1.5	M20X1.5	M22X1.5	10.00	12.30	10.00	30.00	44.00	30.00	22.00	27
DTL-15L-M16Q	M22X1.5	M16X1.5	M22X1.5	12.00	9.90	12.00	28.00	39.00	28.00	22.00	22
DTL-15L-M18Q	M22X1.5	M18X1.5	M22X1.5	12.00	9.00	12.00	28.00	40.00	28.00	24.00	27
DTL-15L-M20Q	M22X1.5	M20X1.5	M22X1.5	12.00	12.30	12.00	28.00	44.00	28.00	22.00	27
DTL-16S-M16Q	M24X1.5	M16X1.5	M24X1.5	12.00	9.90	12.00	33.00	41.50	33.00	27.00	22
DTL-16S-M20Q	M24X1.5	M20X1.5	M24X1.5	12.00	12.30	12.00	33.00	47.00	33.00	27.00	27
DTL-16S-M22Q	M24X1.5	M22X1.5	M24X1.5	12.00	12.00	12.00	33.00	48.00	33.00	27.00	27
DTL-18L-M20Q	M26X1.5	M20X1.5	M26X1.5	15.00	12.30	15.00	31.00	47.00	31.00	27.00	27
DTL-18L-M22Q	M26X1.5	M22X1.5	M26X1.5	15.00	12.00	15.00	31.00	46.00	31.00	27.00	27
DTL-18L-M26Q	M26X1.5	M26X1.5	M26X1.5	15.00	15.00	15.00	33.00	47.00	33.00	27.00	36
DTL-20S-M26Q	M30X2	M26X1.5	M30X2	16.00	15.50	16.00	37.00	51.00	37.00	30.00	36
DTL-20S-M27Q	M30X2	M27X2	M30X2	16.00	15.00	16.00	37.00	50.50	37.00	27.00	32
DTL-22L-M26Q	M30X2	M26X1.5	M30X2	19.00	15.50	19.00	35.50	49.00	35.50	30.00	36
DTL-22L-M27Q	M30X2	M27X2	M30X2	19.00	15.00	19.00	35.00	50.50	35.00	27.00	32
DTL-22L-M33Q	M30X2	M33X2	M30X2	19.00	21.50	19.00	40.00	59.00	40.00	36.00	41
DTL-25S-M26Q	M36X2	M26X1.5	M36X2	20.00	15.50	20.00	42.00	57.50	42.00	36.00	36
DTL-25S-M33Q	M36X2	M33X2	M36X2	20.00	21.50	20.00	42.00	56.00	42.00	36.00	41
DTL-28L-M33Q	M36X2	M33X2	M36X2	24.00	21.50	24.00	40.00	59.00	40.00	36.00	41
DTL-28L-M42Q	M36X2	M42X2	M36X2	24.00	27.50	24.00	44.50	60.50	44.50	41.00	50
DTL-30S-M33Q	M42X2	M33X2	M42X2	25.00	21.50	25.00	49.00	57.00	49.00	41.00	41
DTL-30S-M42Q	M42X2	M42X2	M42X2	25.00	27.50	25.00	49.00	65.00	49.00	48.00	50
DTL-35L-M42Q	M45X2	M42X2	M45X2	30.00	27.50	30.00	45.00	65.00	45.00	48.00	50
DTL-38S-M48Q	M52X2	M48X2	M52X2	32.00	33.00	32.00	57.00	66.00	57.00	55.00	55
DTL-42L-M48Q	M52X2	M48X2	M52X2	36.00	33.00	36.00	51.00	66.00	51.00	55.00	55



DTL-GQ

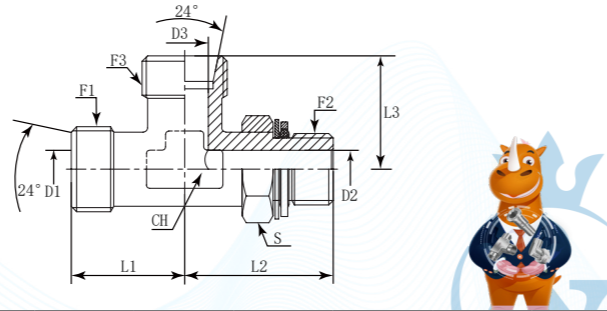
DIN 2353 Adjustable Run Tee with BSPP Male + O Ring + Retaining Ring

German Technology Equipment

SHIELD FLEX

New-Standard

- DME&JDE Code: **DTL-GQ**
- Product Type: **Hydraulic adaptor**
- Standard: **DIN 2353**
- Structure: **Run Tee**
- Connection Type: **Adjustable Male x Male x Male**
- Thread types: **Metric x BSPP x Metric**
- Sealing Method: **O Ring + Retaining Ring**



PART NUMBER	F1 (Thread)	F2 (Thread)	F3 (Thread)	D1	D2	D3	L1	L2	L3	CH	S
#	METRIC	METRIC	BSPP	mm	mm	mm	mm	mm	mm	mm	mm
DTT-06L-01GQ	M12X1.5	M12X1.5	1/8"-28	4.00	4.00	4.40	19.00	19.00	26.00	12.00	14
DTT-06S-02GQ	M14X1.5	M14X1.5	1/4"-19	4.00	4.00	7.50	23.00	23.00	32.00	14.00	19
DTT-08L-02GQ	M14X1.5	M14X1.5	1/4"-19	6.00	6.00	7.50	21.00	21.00	32.00	14.00	19
DTT-08L-03GQ	M14X1.5	M14X1.5	3/8"-19	6.00	6.00	9.90	24.00	24.00	37.00	19.00	22
DTT-08S-02GQ	M16X1.5	M16X1.5	1/4"-19	5.00	5.00	7.50	24.00	24.00	32.00	19.00	19
DTT-08S-03GQ	M16X1.5	M16X1.5	3/8"-19	5.00	5.00	9.90	24.00	24.00	37.00	19.00	22
DTT-10L-02GQ	M16X1.5	M16X1.5	1/4"-19	8.00	8.00	7.50	22.00	22.00	32.00	19.00	19
DTT-10L-03GQ	M16X1.5	M16X1.5	3/8"-19	8.00	8.00	9.90	26.00	26.00	37.00	19.00	22
DTT-10L-04GQ	M16X1.5	M16X1.5	1/2"-14	8.00	8.00	12.30	27.00	27.00	44.00	22.00	27
DTT-10S-03GQ	M18X1.5	M18X1.5	3/8"-19	7.00	7.00	9.90	25.00	25.00	37.00	19.00	22
DTT-12L-02GQ	M18X1.5	M18X1.5	1/4"-19	10.00	10.00	7.50	24.00	24.00	37.00	19.00	19
DTT-12L-03GQ	M18X1.5	M18X1.5	3/8"-19	10.00	10.00	9.90	24.00	24.00	37.00	19.00	22
DTT-12L-04GQ	M18X1.5	M18X1.5	1/2"-14	10.00	10.00	12.30	27.00	27.00	44.00	22.00	27
DTT-12S-03GQ	M20X1.5	M20X1.5	3/8"-19	8.00	8.00	9.90	29.00	29.00	37.00	22.00	22
DTT-12S-04GQ	M20X1.5	M20X1.5	1/2"-14	8.00	8.00	12.30	29.00	29.00	43.00	22.00	27
DTT-14S-04GQ	M22X1.5	M22X1.5	1/2"-14	10.00	10.00	12.30	30.00	30.00	44.00	22.00	27
DTT-15L-03GQ	M22X1.5	M22X1.5	3/8"-19	12.00	12.00	9.90	28.00	28.00	39.00	22.00	22
DTT-15L-04GQ	M22X1.5	M22X1.5	1/2"-14	12.00	12.00	12.30	28.00	28.00	44.00	22.00	27
DTT-16S-03GQ	M24X1.5	M24X1.5	3/8"-19	12.00	12.00	9.90	33.00	33.00	41.50	27.00	22
DTT-16S-04GQ	M24X1.5	M24X1.5	1/2"-14	12.00	12.00	12.30	33.00	33.00	47.00	27.00	27
DTT-18L-04GQ	M26X1.5	M26X1.5	1/2"-14	15.00	15.00	12.30	31.00	31.00	47.00	27.00	27
DTT-18L-06GQ	M26X1.5	M26X1.5	3/4"-14	15.00	15.00	15.00	33.00	33.00	47.00	27.00	36
DTT-20S-06GQ	M30X2	M30X2	3/4"-14	16.00	16.00	15.50	37.00	37.00	51.00	30.00	36
DTT-22L-06GQ	M30X2	M30X2	3/4"-14	19.00	19.00	15.50	35.00	35.00	51.00	30.00	36
DTT-22L-08GQ	M36X2	M36X2	1"-11	24.00	24.00	21.50	40.00	40.00	59.00	36.00	41
DTT-25S-06GQ	M36X2	M36X2	3/4"-14	20.00	20.00	15.50	42.00	42.00	57.50	36.00	36
DTT-25S-08GQ	M36X2	M36X2	1"-11	20.00	20.00	21.50	42.00	42.00	56.00	36.00	41
DTT-28L-08GQ	M36X2	M36X2	1"-11	24.00	24.00	21.50	38.00	38.00	56.00	36.00	41
DTT-28L-10GQ	M36X2	M36X2	1-1/4"-11	24.00	24.00	27.50	44.50	44.50	60.50	41.00	50
DTT-30S-08GQ	M42X2	M42X2	1"-11	25.00	25.00	21.50	49.00	49.00	57.00	41.00	41
DTT-30S-10GQ	M42X2	M42X2	1-1/4"-11	25.00	25.00	27.50	49.00	49.00	59.00	41.00	50
DTT-35L-10GQ	M45X2	M45X2	1-1/4"-11	30.00	30.00	27.50	45.00	45.00	65.00	48.00	50
DTT-38S-12GQ	M52X2	M52X2	1-1/2"-11	32.00	32.00	33.00	57.00	57.00	66.00	55.00	55
DTT-42L-12GQ	M52X2	M52X2	1-1/2"-11	36.00	36.00	33.00	51.00	51.00	66.00	55.00	55

DTT-MQ

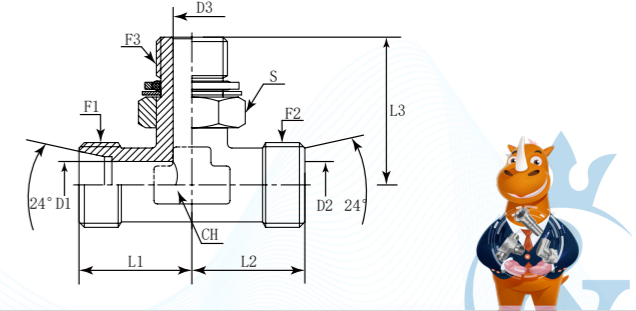
DIN 2353 Adjustable Branch Tee with Metric Male O Ring and Retaining Ring

German Technology Equipment

SHIELD FLEX

New-Standard

- DME&JDE Code: **DTT-MQ**
- Product Type: **Hydraulic adaptor**
- Standard: **DIN 2353**
- Structure: **Branch Tee**
- Connection Type: **Adjustable Male x Male x Male**
- Thread Types: **Metric x Metric x Metric**
- Sealing Method: **O Ring + Retaining Ring**



PART NUMBER	F1 (Thread)	F2 (Thread)	F3 (Thread)	D1	D2	D3	L1	L2	L3	CH	S
#	METRIC	METRIC	METRIC	mm	mm	mm	mm	mm	mm	mm	mm
DTT-06L-M10Q	M12X1.5	M12X1.5	M10X1	4	4	4.4	19	19	26	12	14
DTT-06S-M12Q	M14X1.5	M14X1.5	M12X1.5	4	4	6	23	23	31	14	17
DTT-06S-M14Q	M14X1.5	M14X1.5	M14X1.5	4	4	7.5	23	23	32	14	19
DTT-08L-M12Q	M14X1.5	M14X1.5	M12X1.5	6	6	6	21	21	31	14	17
DTT-08L-M14Q	M14X1.5	M14X1.5	M14X1.5	6	6	7.5	21	21	32	14	19
DTT-08L-M16Q	M14X1.5	M14X1.5	M16X1.5	6	6	9.9	24	24	37	19	22
DTT-08S-M14Q	M16X1.5	M16X1.5	M14X1.5	5	5	7.5	24	24	32	19	19
DTT-08S-M16Q	M16X1.5	M16X1.5	M16X1.5	5	5	9.9	24	24	37	19	22
DTT-10L-M14Q	M16X1.5	M16X1.5	M14X1.5	8	8	7.5	22	22	32	14	19
DTT-10L-M16Q	M16X1.5	M16X1.5	M16X1.5	8	8	9.9	26	26	37	19	22
DTT-10L-M20Q	M16X1.5	M16X1.5	M20X1.5	8	8	12.3	27	27	44	22	27
DTT-10S-M16Q	M18X1.5	M18X1.5	M16X1.5	7	7	9.9	25	25	37	19	22
DTT-12L-M14Q	M18X1.5	M18X1.5	M14X1.5	10	10	7.5	24	24	37	19	19
DTT-12L-M16Q	M18X1.5	M18X1.5	M16X1.5	10	10	9.9	24	24	37	19	22
DTT-12L-M20Q	M18X1.5	M18X1.5	M20X1.5	10	10	12.3	27	27	44	22	27
DTT-12S-M16Q	M20X1.5	M20X1.5	M16X1.5	8	8	9.9	29	29	37	22	22
DTT-12S-M18Q	M20X1.5	M20X1.5	M18X1.5	8	8	9	29	29	38	19	24
DTT-12S-M20Q	M20X1.5	M20X1.5	M20X1.5	8	8	12.3	29	29	43	22	27
DTT-14S-M20Q	M22X1.5	M22X1.5	M20X1.5	10	10	12.3	30	30	44	22	27
DTT-15L-M16Q	M22X1.5	M22X1.5	M16X1.5	12	12	9.9	28	28	39	22	22
DTT-15L-M18Q	M22X1.5	M22X1.5	M18X1.5	12	12	9	28	28	40	24	27
DTT-15L-M20Q	M22X1.5	M22X1.5	M20X1.5	12	12	12.3	28	28	44	22	27
DTT-16S-M16Q	M24X1.5	M24X1.5	M16X1.5	12	12	9.9	33	33	41.5	27	22
DTT-16S-M20Q	M24X1.5	M24X1.5	M20X1.5	12	12	12.3	33	33	47	27	27
DTT-16S-M22Q	M24X1.5	M24X1.5	M22X1.5	12	12	12	33	33	48	27	27
DTT-18L-M20Q	M26X1.5	M26X1.5	M20X1.5	15	15	12.3	31	31	47	27	27
DTT-18L-M22Q	M26X1.5	M26X1.5	M22X1.5	15	15	12	31	31	46	27	27
DTT-18L-M26Q	M26X1.5	M26X1.5	M26X1.5	15	15	15	33	33	47	27	36
DTT-20S-M26Q	M30X2	M30X2	M26X1.5	16	16	15.5	37	37	51	30	36
DTT-20S-M27Q	M30X2	M30X2	M27X2	16	16	15	37	37	50.5	27	32
DTT-22L-M26Q	M30X2	M30X2	M26X1.5	19	19	15.5	35.5	35.5	49	30	36
DTT-22L-M27Q	M30X2	M30X2	M27X2	19	19	15	35	35	50.5	27	32
DTT-22L-M33Q	M30X2	M30X2	M33X2	19	19	21.5	40	40	59	36	41
DTT-25S-M26Q	M36X2	M36X2	M26X1.5	20	20	15.5	42	42	57.5	36	36
DTT-25S-M33Q	M36X2	M36X2	M33X2	20	20	21.5	42	42	56	36	41
DTT-28L-M33Q	M36X2	M36X2	M33X2	24	24	21.5	40	40	59	36	41
DTT-28L-M42Q	M36X2	M36X2	M42X2	24	24	27.5	44.5	44.5	60.5	41	50
DTT-30S-M33Q	M42X2	M42X2	M33X2	25	25	21.5	49	49	57	41	41
DTT-30S-M42Q	M42X2	M42X2	M42X2	25	25	27.5	49	49	65	48	50
DTT-35L-M42Q	M45X2	M45X2	M42X2	30	30	27.5	45	45	65	48	50
DTT-38S-M48Q	M52X2	M52X2	M48X2	32	32	33	57	57	66	55	55
DTT-42L-M48Q	M52X2	M52X2	M48X2	36	36	33	51	51	66	55	55

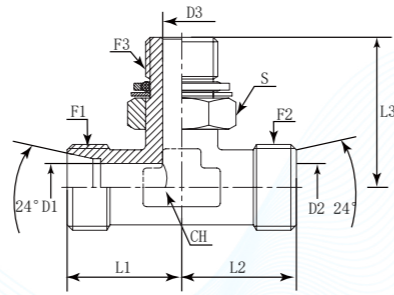


DTT-GQ

DIN 2353 Adjustable Branch Tee with BSPP Male + O Ring + Retaining Ring



- DME&JDE Code: **DTT-GQ**
- Product Type: **Hydraulic adaptor**
- Standard: **DIN 2353**
- Structure: **Branch Tee**
- Connection Type: **Adjustable Male x Male x Male**
- Thread types: **Metric x Metric x BSPP**
- Sealing Method: **O Ring + Retaining Ring**



PART NUMBER	F1 (Thread)	F2 (Thread)	F3 (Thread)	D1	D2	D3	L1	L2	L3	CH	S
#	METRIC	METRIC	BSPP	mm	mm	mm	mm	mm	mm	mm	mm
DTT-06L-01GQ	M12X1.5	M12X1.5	1/8"-28	4	4	4.4	19	19	26	12	14
DTT-06S-02GQ	M14X1.5	M14X1.5	1/4"-19	4	4	7.5	23	23	32	14	19
DTT-08L-02GQ	M14X1.5	M14X1.5	1/4"-19	6	6	7.5	21	21	32	14	19
DTT-08L-03GQ	M14X1.5	M14X1.5	3/8"-19	6	6	9.9	24	24	37	19	22
DTT-08S-02GQ	M16X1.5	M16X1.5	1/4"-19	5	5	7.5	24	24	32	19	19
DTT-08S-03GQ	M16X1.5	M16X1.5	3/8"-19	5	5	9.9	24	24	37	19	22
DTT-10L-02GQ	M16X1.5	M16X1.5	1/4"-19	8	8	7.5	22	22	32	19	19
DTT-10L-03GQ	M16X1.5	M16X1.5	3/8"-19	8	8	9.9	26	26	37	19	22
DTT-10L-04GQ	M16X1.5	M16X1.5	1/2"-14	8	8	12.3	27	27	44	22	27
DTT-10S-03GQ	M18X1.5	M18X1.5	3/8"-19	7	7	9.9	25	25	37	19	22
DTT-12L-02GQ	M18X1.5	M18X1.5	1/4"-19	10	10	7.5	24	24	37	19	19
DTT-12L-03GQ	M18X1.5	M18X1.5	3/8"-19	10	10	9.9	24	24	37	19	22
DTT-12L-04GQ	M18X1.5	M18X1.5	1/2"-14	10	10	12.3	27	27	44	22	27
DTT-12S-03GQ	M20X1.5	M20X1.5	3/8"-19	8	8	9.9	29	29	37	22	22
DTT-12S-04GQ	M20X1.5	M20X1.5	1/2"-14	8	8	12.3	29	29	43	22	27
DTT-14S-04GQ	M22X1.5	M22X1.5	1/2"-14	10	10	12.3	30	30	44	22	27
DTT-15L-03GQ	M22X1.5	M22X1.5	3/8"-19	12	12	9.9	28	28	39	22	22
DTT-15L-04GQ	M22X1.5	M22X1.5	1/2"-14	12	12	12.3	28	28	44	22	27
DTT-16S-03GQ	M24X1.5	M24X1.5	3/8"-19	12	12	9.9	33	33	41.5	27	22
DTT-16S-04GQ	M24X1.5	M24X1.5	1/2"-14	12	12	12.3	33	33	47	27	27
DTT-18L-04GQ	M26X1.5	M26X1.5	1/2"-14	15	15	12.3	31	31	47	27	27
DTT-18L-06GQ	M26X1.5	M26X1.5	3/4"-14	15	15	15	33	33	47	27	36
DTT-20S-06GQ	M30X2	M30X2	3/4"-14	16	16	15.5	37	37	51	30	36
DTT-22L-06GQ	M30X2	M30X2	3/4"-14	19	19	15.5	35	35	51	30	36
DTT-22L-08GQ	M36X2	M36X2	1"-11	24	24	21.5	40	40	59	36	41
DTT-25S-06GQ	M36X2	M36X2	3/4"-14	20	20	15.5	42	42	57.5	36	36
DTT-25S-08GQ	M36X2	M36X2	1"-11	20	20	21.5	42	42	56	36	41
DTT-28L-08GQ	M36X2	M36X2	1"-11	24	24	21.5	38	38	56	36	41
DTT-28L-10GQ	M36X2	M36X2	1 1/4"-11	24	24	27.5	44.5	44.5	60.5	41	50
DTT-30S-08GQ	M42X2	M42X2	1"-11	25	25	21.5	49	49	57	41	41
DTT-30S-10GQ	M42X2	M42X2	1 1/4"-11	25	25	27.5	49	49	59	41	50
DTT-35L-10GQ	M45X2	M45X2	1 1/4"-11	30	30	27.5	45	45	65	48	50
DTT-38S-12GQ	M52X2	M52X2	1 1/2"-11	32	32	33	57	57	66	55	55
DTT-42L-12GQ	M52X2	M52X2	1 1/2"-11	36	36	33	51	51	66	55	55

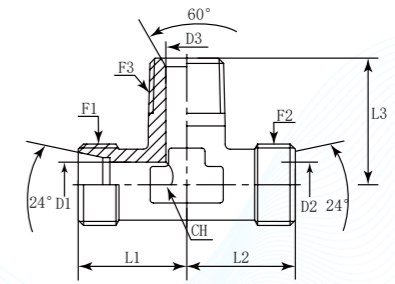


DTTM

Adjustable Branch Tee with BSPT Male



- DME&JDE Code: **DTTM**
- Product Type: **Hydraulic adaptor**
- Standard: **DIN 2353**
- Structure: **Branch Tee**
- Connection Type: **Adjustable Male x Male x Male**
- Thread Types: **Metric x Metric x BSPT**



PART NUMBER	F1 (Thread)	F2 (Thread)	F3 (Thread)	D1	D2	D3	L1	L2	L3	CH
#	METRIC	METRIC	BSPT	mm	mm	mm	mm	mm	mm	mm
DTTM-06L-01R	M12X1.5	M12X1.5	1/8"-27	4.00	4.00	4.50	19.00	19.00	20.00	12.00
DTTM-06L-02R	M12X1.5	M12X1.5	1/4"-19	4.00	4.00	6.00	21.00	21.00	36.00	12.00
DTTM-06S-02R	M14X1.5	M14X1.5	1/4"-19	4.00	4.00	6.00	23.00	23.00	26.00	12.00
DTTM-08L-02R	M14X1.5	M14X1.5	1/4"-19	6.00	6.00	6.00	21.00	21.00	26.00	12.00
DTTM-08L-03R	M14X1.5	M14X1.5	3/8"-19	6.00	6.00	9.00	24.00	24.00	28.00	17.00
DTTM-08S-02R	M16X1.5	M16X1.5	1/4"-19	5.00	5.00	6.00	24.00	24.00	27.00	14.00
DTTM-10L-02R	M16X1.5	M16X1.5	1/4"-19	8.00	8.00	6.00	22.00	22.00	27.00	14.00
DTTM-10L-03R	M16X1.5	M16X1.5	3/8"-19	8.00	8.00	9.00	24.00	24.00	28.00	17.00
DTTM-10L-04R	M16X1.5	M16X1.5	1/2"-14	8.00	8.00	12.00	24.00	24.00	34.00	19.00
DTTM-10S-03R	M18X1.5	M18X1.5	3/8"-19	7.00	7.00	9.00	25.00	25.00	28.00	17.00
DTTM-12L-03R	M18X1.5	M18X1.5	3/8"-19	10.00	10.00	9.00	24.00	24.00	28.00	17.00
DTTM-12L-04R	M18X1.5	M18X1.5	1/2"-14	10.00	10.00	12.00	24.00	24.00	32.00	22.00
DTTM-12S-03R	M20X1.5	M20X1.5	3/8"-19	8.00	8.00	9.00	29.00	29.00	29.00	17.00
DTTM-12S-04R	M20X1.5	M20X1.5	1/2"-14	8.00	8.00	12.00	29.00	29.00	32.00	19.00
DTTM-14S-03R	M22X1.5	M22X1.5	3/8"-19	10.00	10.00	9.00	30.00	30.00	30.00	19.00
DTTM-14S-04R	M22X1.5	M22X1.5	1/2"-14	10.00	10.00	12.00	30.00	30.00	34.00	19.00
DTTM-15L-03R	M22X1.5	M22X1.5	3/8"-19	12.00	12.00	9.00	28.00	28.00	30.00	19.00
DTTM-15L-04R	M22X1.5	M22X1.5	1/2"-14	12.00	12.00	12.00	28.00	28.00	34.00	19.00
DTTM-16S-03R	M24X1.5	M24X1.5	3/8"-19	12.00	12.00	9.00	33.00	33.00	37.00	24.00
DTTM-16S-04R	M24X1.5	M24X1.5	1/2"-14	12.00	12.00	12.00	33.00	33.00	36.00	24.00
DTTM-18L-04R	M26X1.5	M26X1.5	1/2"-14	15.00	15.00	12.00	31.00	31.00	36.00	24.00
DTTM-18L-06R	M26X1.5	M26X1.5	3/4"-14	15.00	15.00	16.70	34.00	34.00	42.00	27.00
DTTM-20S-04R	M30X2	M30X2	1/2"-14	16.00	16.00	12.00	37.00	37.00	41.00	27.00
DTTM-20S-06R	M30X2	M30X2	3/4"-14	16.00	16.00	16.70	37.00	37.00	42.00	27.00
DTTM-22L-06R	M30X2	M30X2	3/4"-14	19.00	19.00	16.70	35.00	35.00	42.00	27.00
DTTM-25S-06R	M36X2	M36X2	3/4"-14	20.00	20.00	16.70	42.00	42.00	45.00	36.00
DTTM-25S-08R	M36X2	M36X2	1"-11	20.00	20.00	22.20	42.00	42.00	48.00	36.00
DTTM-28L-08R	M36X2	M36X2	1"-11	24.00	24.00	22.20	38.00	38.00	48.00	36.00
DTTM-30S-08R	M42X2	M42X2	1"-11	25.00	25.00	22.20	49.00	49.00	55.00	41.00
DTTM-30S-10R	M42X2	M42X2	1-1/4"-11	25.00	25.00	28.60	49.00	49.00	55.00	41.00
DTTM-35L-10R	M45X2	M45X2	1-1/4"-11	30.00	30.00	28.60	45.00	45.00	55.00	41.00
DTTM-38S-12R	M52X2	M52X2	1-1/2"-11	32.00	32.00	33.30	57.00	57.00	61.00	50.00
DTTM-42L-12R	M52X2	M52X2	1-1/2"-11	36.00	36.00	33.30	51.00	51.00	61.00	50.00





Hydraulic Adaptors

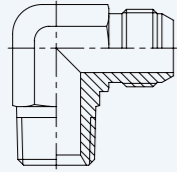
JIS >>



<p>DAJSBM105JM P658</p> <p>Straight Connector JIS BSPP Male 60° Cone</p>	<p>DAJSM152JM P659</p> <p>Straight Connector JIS Metric Male 60° Cone</p>	<p>DAJSBM105M P660</p> <p>Straight Connector JIS BSPP Male 60° - BSPP Male 60° Cone</p>	<p>DAJSBM107M P661</p> <p>Straight Connector JIS BSPP Male 60° - BSPT Male 60°</p>
<p>DAJSM128M P662</p> <p>Straight Connector JIS Metric Male 60° - NPTF Male 60°</p>	<p>DAJSM107M P663</p> <p>Straight Connector JIS Metric Male 60° - BSPT Male 60°</p>	<p>DAJSBM1305 P664</p> <p>Straight Connector JIS BSPP Male 60° Cone - SAE Male + O Ring</p>	<p>DAJSBM1000 P665</p> <p>JIS Male Plug BSPP 60° Cone</p>
<p>DAJSM1000 P666</p> <p>Plug JIS Male O Ring</p>	<p>DAJSM1251 P667</p> <p>Straight Connector JIS Metric Male 60° - JIC Swivel Female 74°</p>	<p>DAJSBM105F P668</p> <p>Straight Connector JIS BSPP Male 60° Cone - BSPP Female</p>	<p>DAJSB31000 P669</p> <p>JIS BSPP Female Cap Swivel 60° Cone</p>
<p>DAJS31000 P670</p> <p>JIS Metric Female Cap Swivel 60° Cone</p>	<p>DAJSM407M P671</p> <p>45° Elbow JIS Metric Male 60° Cone - BSPT Male 60°</p>	<p>DAJSM452Q P672</p> <p>45° Adjustable Elbow JIS Metric Male 60° - Metric Male + O Ring + Retaining Ring</p>	<p>DAJSBM407M P673</p> <p>45° Elbow JIS BSPP Male 60° Cone - BSPT Male 60°</p>

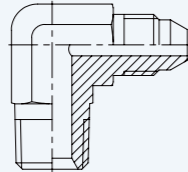


DAJSBM907M
P674



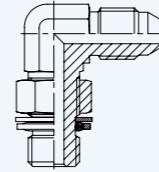
90° Elbow JIS BSPP Male 60° - BSPT Male 60° Cone

DAJSM907M
P675



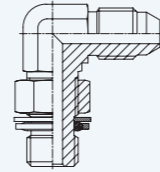
90° Elbow JIS Metric Male 60° Cone - BSPT Male 60°

DAJSBM906Q
P676



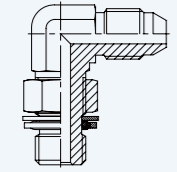
Adjustable 90° Elbow JIS BSPP Male 60° - BSPP Male + O Ring + Retaining Ring

DAJSM906Q
P678



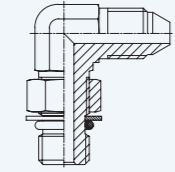
90° Elbow JIS Metric Male 60° Cone - BSPP Male + O Ring + Retaining Ring

DAJSM952Q
P679



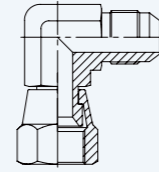
Adjustable 90° Elbow JIS Metric Male 60° - Metric Male + O Ring + Retaining Ring

DAJSBM9305
P680



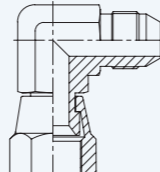
Adjustable 90° Elbow JIS BSPP Male 60° - SAE Male + O Ring

DAJSM9071
P681



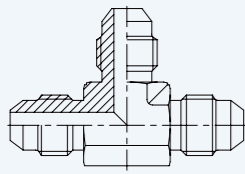
90° Elbow JIS Metric Male 60° Cone - Metric Swivel Female 60°

DAJSBM9041
P682



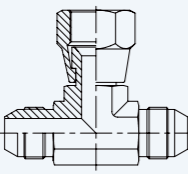
90° Elbow JIS BSPP Male 60° Cone - BSPP Swivel Female 60°

DAJSMT52JM
P683



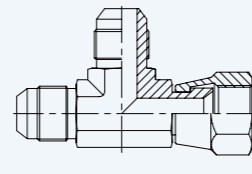
Branch Tee Connector JIS Metric Male 60° - JIS Metric Male 60°

DAJSMT071
P684



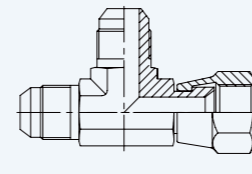
Branch Tee JIS Metric Male 60° Cone - Metric Swivel Female 60°

DAJSML071
P685



Run Tee JIS Metric Male 60° Cone - Metric Swivel Female 60°

DAJSBML041
P686



Run Tees JIS BSPP Female 60° Cone - BSPP Male 60°

DAJSBM105JM

Straight Connector JIS BSPP Male 60° Cone

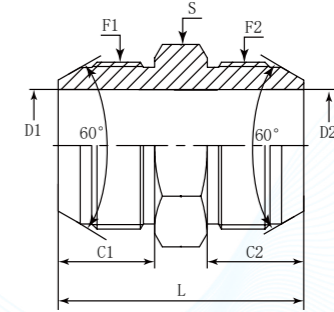
D	A	JSB	M	1	05J	M
Company	Product Range	Thread Types	Connection Type	Adaptor Structure	Thread Types	Connection Type
DME	Adaptor	JIS BSPP	Male	Straight	JIS BSPP	Male

German Technology Equipment

SHIELD FLEX

New-Standard

- DME&JDE Code: **DAJSBM105JM**
- Product Type: **Hydraulic adaptor**
- Standard: **JIS**
- Structure: **Straight**
- Connection Type: **Male x Male**
- Thread Types: **JIS BSPP 60° Cone x JIS BSPP 60° Cone**



Filter the F1 Thread through selecting the -XX options

PART NUMBER	F1/F2 (Thread)	C1/C2	D1/D2	L	S	Cross Number
#	BSPP	mm	mm	mm	mm	-
DAJSBM105JM-0404	1/4"-19	16.00	4.00	38.00	17.00	1S-04
DAJSBM105JM-0606	3/8"-19	18.00	8.50	42.00	19.00	1S-06
DAJSBM105JM-0808	1/2"-14	20.00	9.30	48.00	22.00	1S-08
DAJSBM105JM-1212	3/4"-14	22.00	16.70	54.00	30.00	1S-12
DAJSBM105JM-1616	1"-11	24.00	20.00	59.00	36.00	1S-16
DAJSBM105JM-2020	1-1/4"-11	27.00	28.00	67.00	46.00	1S-20
DAJSBM105JM-2424	1-1/2"-11	27.00	34.00	69.00	50.00	1S-24
DAJSBM105JM-3232	2"-11	30.00	46.00	77.00	65.00	1S-32

Certificate:



DAJSM152JM

Straight Connector JIS Metric Male 60° Cone

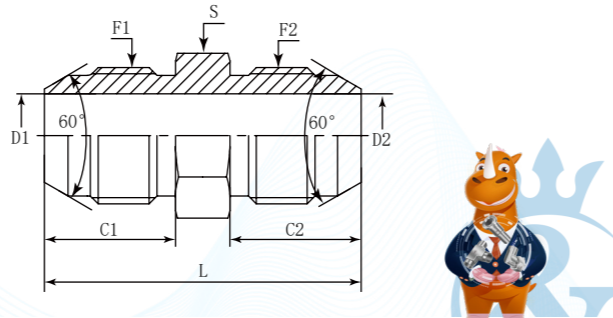
German Technology Equipment

SHIELD FLEX

New-Standard

- D** Company: **DME**
- A** Product Range: Adaptor
- JS** Thread Types: JIS Metric
- M** Connection Type: Male
- 1** Adaptor Structure: Straight
- 52J** Thread Types: JIS Metric
- M** Connection Type: Male

- DME&JDE Code:** DAJSM152JM
- Product Type:** Hydraulic adaptor
- Standard:** JIS
- Structure:** Straight
- Connection Type:** Male x Male
- Thread Types:** JIS Metric 60° Cone x JIS Metric 60° Cone



PART NUMBER	F1/F2 (Thread)	C1/C2	D1/D2	L	S	Cross Number
#	Metric	mm	mm	mm	mm	-
DAJSM152JM-1414	M14X1.5	17.00	5.00	40.00	17.00	1K-14
DAJSM152JM-1616	M16X1.5	18.00	7.00	42.00	17.00	1K-16
DAJSM152JM-1818	M18X1.5	18.00	8.50	42.00	19.00	1K-18
DAJSM152JM-2020	M20X1.5	20.00	10.00	48.00	22.00	1K-20
DAJSM152JM-2222	M22X1.5	20.00	12.00	48.00	24.00	1K-22
DAJSM152JM-2424	M24X1.5	21.50	15.00	53.00	27.00	1K-24
DAJSM152JM-3030	M30X1.5	26.00	18.50	63.00	32.00	1K-30
DAJSM152JM-3333	M33X1.5	30.00	20.00	71.00	36.00	1K-33



DAJSBM105M

Straight Connector JIS BSPP Male 60° - BSPP Male 60° Cone

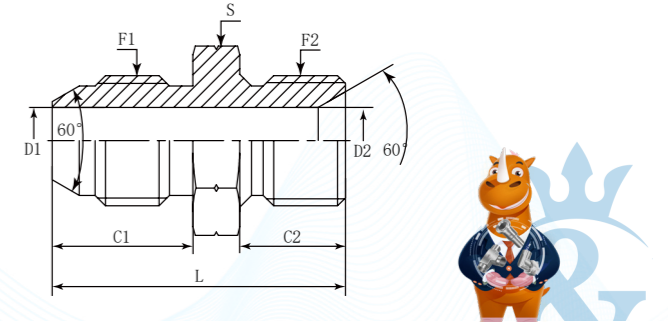
German Technology Equipment

SHIELD FLEX

New-Standard

- D** Company: **DME**
- A** Product Range: Adaptor
- JSB** Thread Types: JIS BSPP
- M** Connection Type: Male
- 1** Adaptor Structure: Straight
- 05** Thread Types: JIS BSPP
- M** Connection Type: Male

- DME&JDE Code:** DAJSBM105M
- Product Type:** Hydraulic adaptor
- Standard:** JIS
- Structure:** Straight
- Connection Type:** Male x Male
- Thread Types:** JIS BSPP 60° x BSPP 60° Cone



PART NUMBER	F1 (Thread)	F2 (Thread)	C1	C2	D1	D2	L	S
#	BSPP	BSPP	mm	mm	mm	mm	mm	mm
DAJSBM105M-0404	1/4"-19	1/4"-19	16.00	12.00	4.00	4.00	34.00	19.00
DAJSBM105M-0406	1/4"-19	3/8"-19	16.00	13.50	4.00	8.50	34.00	19.00
DAJSBM105M-0604	3/8"-19	1/4"-19	18.00	12.00	8.50	4.00	36.00	19.00
DAJSBM105M-0606	3/8"-19	3/8"-19	18.00	13.50	8.50	8.50	37.50	22.00
DAJSBM105M-0608	1/2"-14	3/8"-19	18.00	16.00	11.00	8.50	44.00	27.00
DAJSBM105M-0806	3/8"-19	1/2"-14	20.00	13.50	8.50	11.00	41.50	22.00
DAJSBM105M-0808	1/2"-14	1/2"-14	20.00	16.00	11.00	11.00	46.00	27.00
DAJSBM105M-0812	3/4"-14	1/2"-14	20.00	18.50	16.70	11.00	49.50	32.00
DAJSBM105M-1206	3/8"-19	3/4"-14	22.00	13.50	8.50	16.70	45.50	30.00
DAJSBM105M-1208	1/2"-14	3/4"-14	22.00	16.00	11.00	20.00	48.00	30.00
DAJSBM105M-1212	3/4"-14	3/4"-14	22.00	18.50	16.70	16.70	51.50	32.00
DAJSBM105M-1216	1"-11	3/4"-14	22.00	20.50	20.00	16.70	55.50	41.00
DAJSBM105M-1608	1/2"-14	1"-11	24.00	16.00	11.00	20.00	51.00	36.00
DAJSBM105M-1612	3/4"-14	1"-11	24.00	18.50	16.70	20.00	53.50	36.00
DAJSBM105M-1616	1"-11	1"-11	24.00	20.50	20.00	20.00	57.50	41.00



DAJSBM107M

Straight Connector JIS BSPP Male 60° - BSPT Male 60°

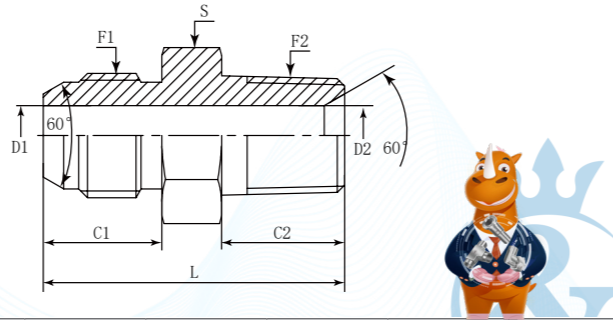
German Technology Equipment

SHIELD FLEX

New-Standard

- D** Company: **DME**
- A** Product Range: Adaptor
- JSB** Thread Types: JIS BSPP
- M** Connection Type: Male
- 1** Adaptor Structure: Straight
- 07** Thread Types: BSPT
- M** Connection Type: Male

- DME&JDE Code:** DAJSBM107M
- Product Type:** Hydraulic adaptor
- Standard:** JIS
- Structure:** Straight
- Connection Type:** Male x Male
- Thread Types:** JIS BSPP 60° x BSPT 60°



PART NUMBER	F1 (Thread)	F2 (Thread)	C1	C2	D1	D2	L	S
#	BSPP	BSPT	mm	mm	mm	mm	mm	mm
DAJSBM107M-0404	1/4"-19	1/4"-19	16.00	14.50	4.50	6.00	38.00	17.00
DAJSBM107M-0606	3/8"-19	3/8"-19	18.00	15.00	8.50	8.50	39.00	19.00
DAJSBM107M-0808	1/2"-14	1/2"-14	20.00	19.00	9.30	12.00	47.00	22.00
DAJSBM107M-1212	3/4"-14	3/4"-14	22.00	20.00	16.00	16.00	52.00	30.00
DAJSBM107M-1616	1"-11	1"-11	24.00	25.50	20.00	22.20	62.50	41.00
DAJSBM107M-2020	1-1/4"-11	1-1/4"-11	27.00	25.00	28.00	28.00	65.00	46.00
DAJSBM107M-2424	1-1/2"-11	1-1/2"-11	27.00	25.00	33.30	33.30	67.00	50.00
DAJSBM107M-3232	2"-11	2"-11	30.00	30.00	46.00	46.00	77.00	65.00

DAJSM128M

Straight Connector JIS Metric Male 60° - NPTF Male 60°

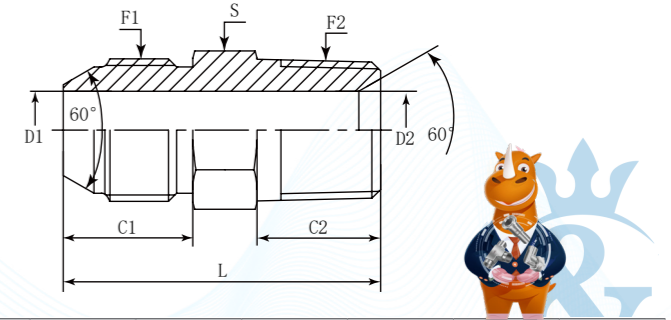
German Technology Equipment

SHIELD FLEX

New-Standard

- D** Company: **DME**
- A** Product Range: Adaptor
- JS** Thread Types: JIS Metric
- M** Connection Type: Male
- 1** Adaptor Structure: Straight
- 28** Thread Types: NPTF
- M** Connection Type: Male

- DME&JDE Code:** DAJSM128M
- Product Type:** Hydraulic adaptor
- Standard:** JIS
- Structure:** Straight
- Connection Type:** Male x Male
- Thread Types:** JIS Metric 60° x NPTF 60°



PART NUMBER	F1 (Thread)	F2 (Thread)	C1	C2	D1	D2	L	S	Cross Number
#	Metric	NPTF	mm	mm	mm	mm	mm	mm	-
DAJSM128M-1404	M14X1.5	1/4"-18	17.00	14.22	5.00	7.14	38.00	17.00	1KN-1404
DAJSM128M-1406	M14X1.5	3/8"-18	17.00	14.22	5.00	10.31	39.00	19.00	1KN-1406
DAJSM128M-1606	M16X1.5	3/8"-18	18.00	14.22	7.00	10.31	40.00	19.00	1KN-1606
DAJSM128M-1608	M16X1.5	1/2"-14	18.00	19.05	7.00	13.49	45.50	22.00	1KN-1608
DAJSM128M-1806	M18X1.5	3/8"-18	18.00	14.22	8.50	10.31	40.00	19.00	1KN-1806
DAJSM128M-2006	M20X1.5	3/8"-18	20.00	14.22	10.00	10.00	44.00	22.00	1KN-2006
DAJSM128M-2008	M20X1.5	1/2"-14	20.00	19.05	10.00	13.49	47.50	22.00	1KN-2008
DAJSM128M-2208	M22X1.5	1/2"-14	20.00	19.05	12.00	12.00	47.50	24.00	1KN-2208
DAJSM128M-2408	M24X1.5	1/2"-14	21.50	19.05	13.49	13.49	50.50	27.00	1KN-2408
DAJSM128M-2412	M24X1.5	3/4"-14	21.50	19.05	15.00	18.26	51.00	30.00	1KN-2412
DAJSM128M-3012	M30X1.5	3/4"-14	26.00	19.05	18.26	18.26	56.00	32.00	1KN-3012
DAJSM128M-3316	M33X1.5	1"-11-1/2	30.00	23.88	20.00	23.88	66.50	36.00	1KN-3316



DAJSM107M

Straight Connector JIS Metric Male 60° - BSPT Male 60°

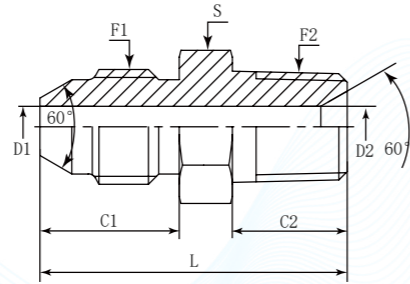
German Technology Equipment

SHIELD FLEX

New-Standard

- D** Company: **DME**
- A** Product Range: Adaptor
- JS** Thread Types: JIS Metric
- M** Connection Type: Male
- 1** Adaptor Structure: Straight
- 07** Thread Types: BSPT
- M** Connection Type: Male

- DME&JDE Code:** DAJSM107M
- Product Type:** Hydraulic adaptor
- Standard:** JIS
- Structure:** Straight
- Connection Type:** Male x Male
- Thread Types:** JIS BSPP 60° x BSPT 60°



PART NUMBER	F1 (Thread)	F2 (Thread)	C1	C2	D1	D2	L	S	Cross Number
#	Metric	BSPT	mm	mm	mm	mm	mm	mm	-
DAJSM107M-1204	M12X1.5	1/4"-19	16.00	14.00	4.50	6.00	36.50	17.00	1KT-1204SP
DAJSM107M-1402	M14X1.5	1/8"-28	17.00	10.00	4.50	4.50	33.00	17.00	1KT-1402SP
DAJSM107M-1404	M14X1.5	1/4"-19	17.00	14.00	5.00	5.00	37.50	17.00	1KT-1404SP
DAJSM107M-1406	M14X1.5	3/8"-19	17.00	15.00	5.00	9.00	37.50	17.00	1KT-1406SP
DAJSM107M-1604	M16X1.5	1/4"-19	18.00	14.00	6.00	6.00	38.00	17.00	1KT-1604SP
DAJSM107M-1606	M16X1.5	3/8"-19	18.00	15.00	7.00	7.00	39.00	19.00	1KT-1606SP
DAJSM107M-1806	M18X1.5	3/8"-19	18.00	15.00	8.50	9.00	39.00	19.00	1KT-1806SP
DAJSM107M-1808	M18X1.5	1/2"-14	18.00	19.00	8.50	12.00	45.50	22.00	1KT-1808SP
DAJSM107M-2006	M20X1.5	3/8"-19	20.00	15.00	10.00	9.00	43.00	24.00	1KT-2006SP
DAJSM107M-2208	M22X1.5	1/2"-14	20.00	19.00	12.00	12.00	48.00	24.00	1KT-2208SP
DAJSM107M-2408	M24X1.5	1/2"-14	21.50	19.00	15.00	12.00	50.50	27.00	1KT-2408SP
DAJSM107M-2412	M24X1.5	3/4"-14	21.50	20.00	15.00	16.70	51.50	30.00	1KT-2412SP
DAJSM107M-3012	M30X1.5	3/4"-14	26.00	20.00	18.50	16.70	57.00	32.00	1KT-3012SP
DAJSM107M-3316	M33X1.5	1"-11	30.00	24.00	20.00	22.20	65.00	36.00	1KT-3316SP

DAJSBM1305

Straight Connector JIS BSPP Male 60° Cone - SAE Male + O Ring

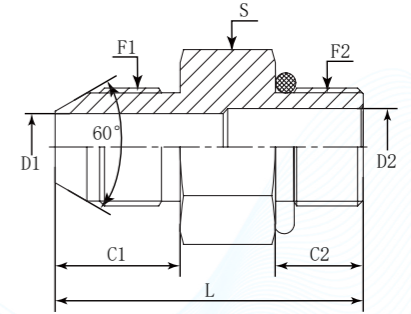
German Technology Equipment

SHIELD FLEX

New-Standard

- D** Company: **DME**
- A** Product Range: Adaptor
- JSB** Thread Types: JIS BSPP
- M** Connection Type: Male
- 1** Adaptor Structure: Straight
- 30** Thread Types: SAE
- 5** Connection & Sealing Method: Male + O Ring

- DME&JDE Code:** DAJSBM1305
- Product Type:** Hydraulic adaptor
- Standard:** JIS
- Structure:** Straight
- Connection Type:** Male x Male
- Thread Types:** JIS BSPP 60° Cone x UNF



PART NUMBER	F1 (Thread)	F2 (Thread)	C1	C2	D1	D2	L	S
#	BSPP	UNF	mm	mm	mm	mm	mm	mm
DAJSBM1305-0404	1/4"-19	7/16"-20	16.00	9.10	4.00	4.00	31.00	14
DAJSBM1305-0406	1/4"-19	9/16"-18	16.00	9.90	4.00	7.54	32.00	17
DAJSBM1305-0604	3/8"-19	7/16"-20	18.00	9.10	8.50	4.37	33.00	17
DAJSBM1305-0606	3/8"-19	9/16"-18	18.00	9.90	8.50	7.54	34.00	17
DAJSBM1305-0806	1/2"-14	9/16"-18	20.00	11.10	9.30	7.54	38.00	22
DAJSBM1305-0808	1/2"-14	3/4"-16	20.00	11.10	9.30	9.30	39.00	22
DAJSBM1305-1210	3/4"-14	7/8"-14	22.00	1.70	16.00	12.29	44.50	30
DAJSBM1305-1212	3/4"-14	1-1/16"-12	22.00	15.10	15.47	15.47	48.00	32
DAJSBM1305-1612	1"-11	1-1/16"-12	24.00	15.10	20.00	15.47	50.00	36
DAJSBM1305-1616	1"-11	1-5/16"-12	24.00	15.10	20.00	21.44	50.00	38
DAJSBM1305-2016	1-1/4"-11	1-5/16"-12	7.00	15.10	28.00	21.44	55.00	46
DAJSBM1305-2020	1-1/4"-11	1-5/8"-12	27.00	15.10	27.38	27.38	57.00	50
DAJSBM1305-2420	1-1/2"-11	1-5/8"-12	27.00	15.10	34.00	27.38	57.00	50
DAJSBM1305-2424	1-1/2"-11	1-7/8"-12	27.00	15.10	33.32	33.32	57.00	55



DAJSBM1000

JIS Male Plug BSPP 60° Cone

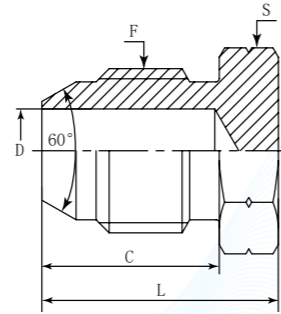
D	A	JSB	M	1	000
Company	Product Range	Thread Types	Connection Type	Adaptor Structure	Other Features
DME	Adaptor	JIS BSPP	Male	Straight	Nut/Plug

German Technology Equipment

SHIELD FLEX

New-Standard

- DME&JDE Code: **DAJSBM1000**
- Product Type: **Hydraulic adaptor**
- Adaptor Standard: **JIS**
- Adaptor Connection Type: **Male**
- Thread Types: **JIS BSPP 60° Cone**
- Other Features: **Nut/Plug**



PART NUMBER	F (Thread)	C	D	L	S	Cross Number
#	BSPP	mm	mm	mm	mm	-
DAJSBM1000-0200	1/8"-28	12.00	3.20	18.00	14.00	4S-02
DAJSBM1000-0400	1/4"-19	16.00	4.00	24.00	17.00	4S-04
DAJSBM1000-0600	3/8"-19	18.00	8.50	24.00	19.00	4S-06
DAJSBM1000-0800	1/2"-14	20.00	9.30	28.00	22.00	4S-08
DAJSBM1000-1200	3/4"-14	22.00	16.70	32.00	30.00	4S-12
DAJSBM1000-1600	1"-11	24.00	20.00	35.00	36.00	4S-16
DAJSBM1000-2000	1-1/4"-11	27.00	28.00	40.00	46.00	4S-20
DAJSBM1000-2400	1-1/2"-11	27.00	34.00	42.00	50.00	4S-24
DAJSBM1000-3200	2"-11	30.00	46.00	47.00	65.00	4S-32

DAJSM1000

JIS Metric Male Plug 60° Cone

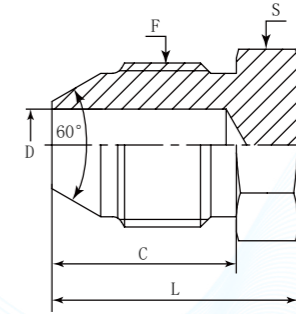
D	A	JS	M	1	000
Company	Product Range	Thread Types	Connection Type	Adaptor Structure	Other Features
DME	Adaptor	JIS Metric	Male	Straight	Nut/Plug

German Technology Equipment

SHIELD FLEX

New-Standard

- DME&JDE Code: **DAJSM1000**
- Product Type: **Hydraulic adaptor**
- Standard: **JIS**
- Connection Type: **Male**
- Thread Types: **JIS Metric 60° Cone**
- Other Features: **Nut/Plug**



PART NUMBER	F (Thread)	C	D	L	S	Cross Number
#	Metric	mm	mm	mm	mm	-
DAJSM1000-1200	M12X1.5	17.00	3.00	22.00	14.00	4K-12
DAJSM1000-1400	M14X1.5	17.00	5.00	23.00	17.00	4K-14
DAJSM1000-1600	M16X1.5	18.00	7.00	24.00	17.00	4K-16
DAJSM1000-1800	M18X1.5	18.00	8.50	25.00	19.00	4K-18
DAJSM1000-2000	M20X1.5	20.00	10.00	28.00	22.00	4K-20
DAJSM1000-2200	M22X1.5	20.00	12.00	28.00	24.00	4K-22
DAJSM1000-2400	M24X1.5	21.50	15.00	31.50	27.00	4K-24
DAJSM1000-2600	M26X1.5	22.00	16.70	32.00	30.00	4K-26
DAJSM1000-3000	M30X1.5	26.00	18.50	37.00	32.00	4K-30
DAJSM1000-3300	M33X1.5	30.00	20.00	41.00	36.00	4K-33
DAJSM1000-4200	M42X1.5	27.00	28.00	41.00	46.00	4K-42



DAJSO1000

Plug JIS Male O Ring

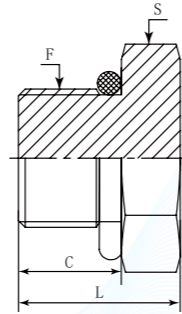
D	A	JS	O	1	000
Company	Product Range	Thread Types	Sealing Method	Adaptor Structure	Other Features
DME	Adaptor	JIS Metric	O rings	Straight	Nut/Plug

German Technology Equipment

SHIELD FLEX

New-Standard

- DME&JDE Code: **DAJSO1000**
- Product Type: **Hydraulic adaptor**
- Standard: **JIS**
- Connection Type: **Male**
- Thread Types: **BSPP**
- Sealing Method: **O Rings**
- Other Features: **Nut/Plug**



PART NUMBER	F (Thread)	C	L	S
#	BSPP	mm	mm	mm
DAJSO1000-0200	1/8"-28	7.60	13.50	14.00
DAJSO1000-0400	1/4"-19	11.20	15.00	17.00
DAJSO1000-0600	3/8"-19	12.00	22.00	24.00
DAJSO1000-1000	5/8"-14	14.50	23.00	32.00
DAJSO1000-1200	3/4"-14	14.50	27.00	36.00
DAJSO1000-1600	1"-11	18.60	30.00	46.00
DAJSO1000-2000	1-1/4"-11	18.60	32.00	50.00

Web: <https://www.dmejde.com>
E-mail: info@dmejde.com



Certificate:

DAJSM1251

Straight Connector JIS Metric Male 60° - JIC Swivel Female 74°

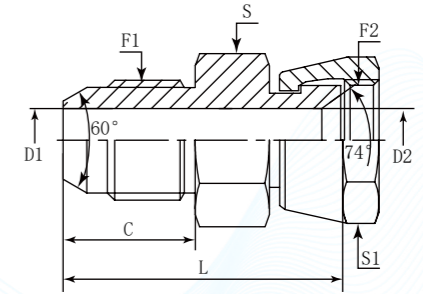
D	A	JS	M	1	251
Company	Product Range	Thread Types	Connection Type	Adaptor Structure	Connection Type
DME	Adaptor	JIS Metric	Male	Straight	JIC Swivel Female

German Technology Equipment

SHIELD FLEX

New-Standard

- DME&JDE Code: **DAJSM1251**
- Product Type: **Hydraulic adaptor**
- Standard: **JIS**
- Structure: **Straight**
- Connection Type: **Male x Swivel Female**
- Thread Types: **JIS Metric 60° x JIC UNF 74°**



PART NUMBER	F1 (Thread)	F2 (Thread)	C	D1	D2	L	S	S1
#	Metric	UNF	mm	mm	mm	mm	mm	mm
DAJSM1251-1404	M14X1.5	7/16"-20	17.00	4.37	4.37	32.50	17.00	14.27
DAJSM1251-1606	M16X1.5	9/16"-18	18.00	7.00	7.00	34.00	17.00	17.45
DAJSM1251-1806	M18X1.5	9/16"-18	18.00	7.54	7.54	37.00	19.00	17.45
DAJSM1251-2008	M20X1.5	3/4"-16	20.00	9.93	9.93	39.50	22.00	22.23
DAJSM1251-2208	M22X1.5	3/4"-16	20.00	12.00	9.93	39.50	24.00	22.23
DAJSM1251-2410	M24X1.5	7/8"-14	21.50	15.00	12.29	43.50	27.00	25.40
DAJSM1251-3010	M30X1.5	7/8"-14	26.00	18.50	12.29	49.00	32.00	25.40
DAJSM1251-3012	M30X1.5	1-1/16"-12	26.00	18.50	15.47	50.00	32.00	31.75
DAJSM1251-3312	M33X1.5	1-1/16"-12	30.00	20.00	15.47	54.00	36.00	31.75
DAJSM1251-3316	M33X1.5	1-5/16"-12	30.00	20.00	21.44	55.50	36.00	38.10

Web: <https://www.dmejde.com>
E-mail: info@dmejde.com



Certificate:

DAJSBM105F

Straight Connector JIS BSPP Male 60° Cone – BSPP Female

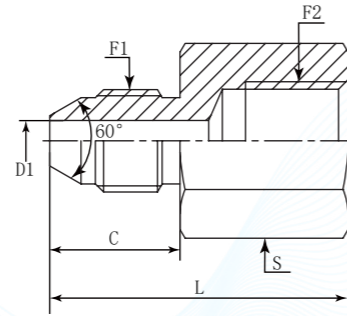
D	A	JSB	M	1	05	F
Company	Product Range	Thread Types	Connection Type	Adaptor Structure	Thread Types	Connection Type
DME	Adaptor	JIS BSPP	Male	Straight	JIS BSPP	Female

German Technology Equipment

SHIELD FLEX

New-Standard

- DME&JDE Code: **DAJSBM105F**
- Product Type: **Hydraulic adaptor**
- Standard: **JIS**
- Structure: **Straight**
- Connection Type: **Male x Female**
- Thread Types: **JIS BSPP 60° Cone x JIS BSPP**



PART NUMBER	F1 (Thread)	F2 (Thread)	C	D	L	S
#	BSPP	BSPP	mm	mm	mm	mm
DAJSBM105F-0202	1/8"-28	1/8"-28	12.00	3.20	27.50	14
DAJSBM105F-0204	1/8"-28	1/4"-19	12.00	3.20	32.00	19
DAJSBM105F-0404	1/4"-19	1/4"-19	16.00	4.00	36.00	19
DAJSBM105F-0406	1/4"-19	3/8"-19	16.00	4.00	36.00	22
DAJSBM105F-0408	1/4"-19	1/2"-14	16.00	4.00	40.00	27
DAJSBM105F-0412	1/4"-19	3/4"-14	16.00	4.00	45.00	32
DAJSBM105F-0608	3/8"-19	1/2"-14	18.00	8.50	39.50	27
DAJSBM105F-0808	1/2"-14	1/2"-14	20.00	9.30	44.00	27
DAJSBM105F-0812	1/2"-14	3/4"-14	20.00	9.30	48.50	32
DAJSBM105F-0816	1/2"-14	1"-11	20.00	9.30	54.00	41
DAJSBM105F-1216	3/4"-14	1"-11	22.00	16.00	56.00	41



DAJSB31000

JIS BSPP Female Cap Swivel 60° Cone

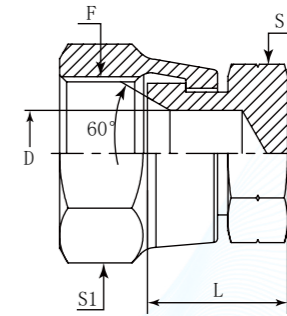
D	A	JSB	3	1	000
Company	Product Range	Thread Types	Adaptor Structure	Adaptor Structure	Other Features
DME	Adaptor	JIS BSPP	Slip-on Female	Straight	Nut/Plug

German Technology Equipment

SHIELD FLEX

New-Standard

- DME&JDE Code: **DAJSB31000**
- Product Type: **Hydraulic adaptor**
- Standard: **JIS**
- Connection Type: **Slip-on Female**
- Thread Types: **JIS BSPP Cap Swivel 60° Cone**
- Other Features: **Nut/Plug**



PART NUMBER	F (Thread)	D	L	S	S1	Cross Number
#	BSPP	mm	mm	mm	mm	-
DAJSB31000-0400	1/4"-19	4.00	14.50	17.00	19.00	9S-04
DAJSB31000-0600	3/8"-19	6.90	15.50	19.00	22.00	9S-06
DAJSB31000-0800	1/2"-14	9.50	19.00	22.00	27.00	9S-08
DAJSB31000-1000	5/8"-14	9.50	21.00	27.00	30.00	9S-10
DAJSB31000-1200	3/4"-14	15.00	23.50	32.00	32.00	9S-12
DAJSB31000-1600	1"-11	20.00	25.00	36.00	42.00	9S-16
DAJSB31000-2000	1-1/4"-11	26.00	30.00	50.00	50.00	9S-20



DAJS31000

JIS Metric Female Cap Swivel 60° Cone

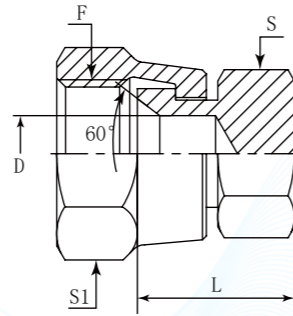
D	A	JS	3	1	000
Company	Product Range	Thread Types	Connection Type	Adaptor Structure	Other Features
DME	Adaptor	JIS Metric	Male	Straight	Nut/Plug

German Technology Equipment

SHIELD FLEX

New-Standard

- DME&JDE Code: **DAJS31000**
- Product Type: **Hydraulic adaptor**
- Standard: **JIS**
- Structure: **Straight**
- Connection Type: **Female**
- Thread Types: **JIS Metric Cap Swivel 60° Cone**
- Other Features: **Nut/Plug**



PART NUMBER	F (Thread)	D	L	S	S1	Cross Number
#	Metric	mm	mm	mm	mm	-
DAJS31000-1400	M14X1.5	4.00	15.00	19.00	19.00	9K-14
DAJS31000-1600	M16X1.5	5.50	17.50	22.00	22.00	9K-16
DAJS31000-1800	M18X1.5	7.00	18.50	24.00	24.00	9K-18
DAJS31000-2000	M20X1.5	9.50	18.50	24.00	24.00	9K-20
DAJS31000-2200	M22X1.5	9.50	21.00	27.00	27.00	9K-22
DAJS31000-2400	M24X1.5	12.50	22.50	32.00	32.00	9K-24
DAJS31000-2600	M26X1.5	15.00	23.50	32.00	32.00	9K-26
DAJS31000-3000	M30X1.5	14.00	25.00	36.00	36.00	9K-30
DAJS31000-3300	M33X1.5	18.50	25.50	41.00	41.00	9K-33



DAJSM407M

45° Elbow JIS Metric Male 60° Cone - BSPT Male 60°

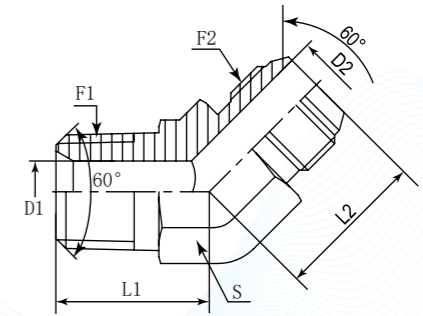
D	A	JS	M	4	07	M
Company	Product Range	Thread Types	Connection Type	Adaptor Structure	Thread Types	Connection Type
DME	Adaptor	JIS Metric	Male	45° Elbow	BSPT	Male

German Technology Equipment

SHIELD FLEX

New-Standard

- DME&JDE Code: **DAJSM407M**
- Product Type: **Hydraulic adaptor**
- Standard: **JIS**
- Structure: **45° Elbow**
- Connection Type: **Male x Male**
- Thread Types: **JIS Metric 60° Cone x BSPT 60°**



PART NUMBER	F1 (Thread)	F2 (Thread)	D1	D2	L1	L2	S	Cross Number
#	Metric	BSPT	mm	mm	mm	mm	mm	-
DAJSM407M-1404	M14X1.5	1/4"-19	5.00	6.00	25.00	21.00	14.00	1KT4-1404SP
DAJSM407M-1406	M14X1.5	3/8"-19	5.00	9.00	25.50	23.00	17.00	1KT4-1406SP
DAJSM407M-1606	M16X1.5	3/8"-19	7.00	9.00	26.00	23.00	17.00	1KT4-1606SP
DAJSM407M-1806	M18X1.5	3/8"-19	8.50	9.00	25.00	24.00	19.00	1KT4-1806SP
DAJSM407M-2006	M20X1.5	3/8"-19	10.00	9.00	30.00	24.00	19.00	1KT4-2006SP
DAJSM407M-2206	M22X1.5	3/8"-19	12.00	9.00	31.00	25.00	22.00	1KT4-2206SP
DAJSM407M-2208	M22X1.5	1/2"-14	12.00	12.00	31.00	30.00	22.00	1KT4-2208SP
DAJSM407M-2408	M24X1.5	1/2"-14	15.00	12.00	33.00	29.50	27.00	1KT4-2408SP
DAJSM407M-2412	M24X1.5	3/4"-14	15.00	16.70	33.00	30.50	27.00	1KT4-2412SP
DAJSM407M-3012	M30X1.5	3/4"-14	18.50	16.70	39.00	31.50	30.00	1KT4-3012SP
DAJSM407M-3316	M33X1.5	1"-11	20.00	22.20	37.50	38.00	33.00	1KT4-3316SP



DAJSM452Q

45° Adjustable Elbow JIS Metric Male 60° - Metric Male + O Ring + Retaining Ring

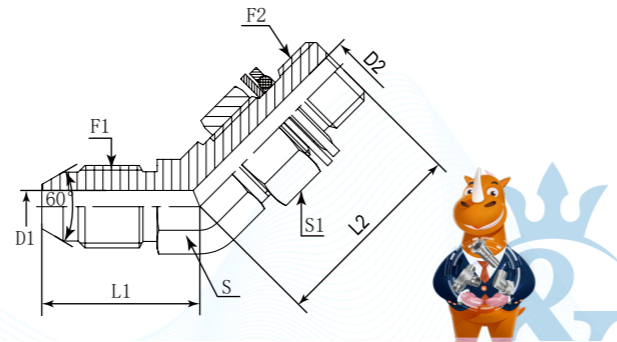
D	A	JS	M	4	52	0
Company	Product Range	Thread Types	Connection Type	Adaptor Structure	Thread Types	Connection Type
DME	Adaptor	JIS Metric	Male	45° Elbow	Metric	Male + O Ring + Retaining Ring

German Technology Equipment

SHIELD FLEX

New-Standard

- DME&JDE Code: **DAJSM452Q**
- Product Type: **Hydraulic adaptor**
- Standard: **JIS**
- Structure: **45° Elbow**
- Connection Type: **Adjustable Male x Male**
- Thread Types: **JIS Metric 60° Cone x Metric**
- Sealing Method: **O Ring + Retaining Ring**



PART NUMBER	F1 (Thread)	F2 (Thread)	D1	D2	L1	L2	S	S1
#	Metric	Metric	mm	mm	mm	mm	mm	mm
DAJSM452Q-1412	M14X1.5	M12X1.5	6.00	6.00	27.00	35.00	17.00	17.00
DAJSM452Q-1816	M18X1.5	M16X1.5	8.50	7.00	30.80	36.50	19.00	22.00
DAJSM452Q-1820	M18X1.5	M20X1.5	8.50	12.00	33.00	43.00	22.00	27.00
DAJSM452Q-2220	M22X1.5	M20X1.5	12.00	12.00	35.50	43.00	22.00	27.00

DAJSBM407M

45° Elbow JIS BSPP Male 60° Cone - BSPT Male 60°

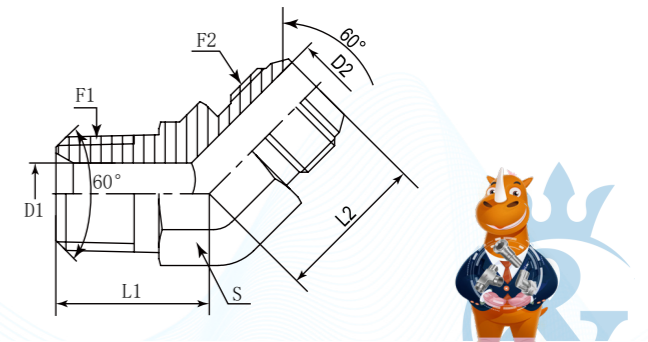
D	A	JSB	M	4	07	M
Company	Product Range	Thread Types	Connection Type	Adaptor Structure	Thread Types	Connection Type
DME	Adaptor	JIS BSPP	Male	45° Elbow	BSPT	Male

German Technology Equipment

SHIELD FLEX

New-Standard

- DME&JDE Code: **DAJSBM407M**
- Product Type: **Hydraulic adaptor**
- Standard: **JIS**
- Structure: **45° Elbow**
- Connection Type: **Male x Male**
- Thread Types: **JIS BSPP 60° Cone x BSPT 60°**



PART NUMBER	F1 (Thread)	F2 (Thread)	D1	D2	L1	L2	S
#	BSPP	BSPT	mm	mm	mm	mm	mm
DAJSBM407M-0404	1/4"-19	1/4"-19	6.00	4.00	21.80	20.80	14.00
DAJSBM407M-0406	3/8"-19	1/4"-19	9.00	4.00	26.00	21.00	17.00
DAJSBM407M-0604	1/4"-19	3/8"-19	6.00	8.50	24.50	23.00	17.00
DAJSBM407M-0606	3/8"-19	3/8"-19	9.00	8.50	24.10	22.10	19.00
DAJSBM407M-0608	1/2"-14	3/8"-19	12.00	8.50	30.50	25.00	22.00
DAJSBM407M-0804	1/4"-19	1/2"-14	6.00	12.00	26.50	29.50	22.00
DAJSBM407M-0806	3/8"-19	1/2"-14	9.00	9.00	28.50	29.50	22.00
DAJSBM407M-0808	1/2"-14	1/2"-14	12.00	9.30	31.00	29.50	22.00
DAJSBM407M-0812	3/4"-14	1/2"-14	16.70	9.30	34.00	30.00	27.00
DAJSBM407M-1212	3/4"-14	3/4"-14	16.70	16.00	30.50	32.50	27.00
DAJSBM407M-1216	1"-11	3/4"-14	22.20	16.00	37.50	32.00	33.00
DAJSBM407M-1616	1"-11	1"-11	22.20	20.00	37.30	37.30	33.00
DAJSBM407M-2020	1-1/4"-11	1-1/4"-11	28.00	28.00	44.50	43.00	41.00
DAJSBM407M-2424	1-1/2"-11	1-1/2"-11	33.30	33.30	47.50	47.00	48.00
DAJSBM407M-3232	2"-11	2"-11	46.00	46.00	54.00	53.00	63.00



DAJSBM907M

90° Elbow JIS BSPP Male 60° - BSPT Male 60° Cone

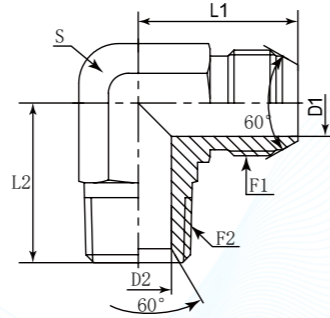
D	A	JSB	M	9	07	M
Company	Product Range	Thread Types	Connection Type	Adaptor Structure	Thread Types	Connection Type
DME	Adaptor	JIS BSPP	Male	90° Elbow	BSPT	Male

German Technology Equipment

SHIELD FLEX

New-Standard

- DME&JDE Code: **DAJSBM907M**
- Product Type: **Hydraulic adaptor**
- Standard: **JIS**
- Structure: **90° Elbow**
- Connection Type: **Male x Male**
- Thread Types: **JIS BSPP 60° x BSPT 60° Cone**



PART NUMBER	F1 (Thread)	F2 (Thread)	D1	D2	L1	L2	S
#	BSPP	BSPT	mm	mm	mm	mm	mm
DAJSBM907M-0204	1/4"-19	1/8"-28	4.5	4.5	26	22	14
DAJSBM907M-0404	1/4"-19	1/4"-19	4	6	27.5	26	14
DAJSBM907M-0406	3/8"-19	1/4"-19	8.5	6	31.5	26.5	17
DAJSBM907M-0604	1/4"-19	3/8"-19	4	8.5	30	28.5	17
DAJSBM907M-0606	3/8"-19	3/8"-19	8.5	9	31	31	19
DAJSBM907M-0608	1/2"-14	3/8"-19	9	9	38	32.5	22
DAJSBM907M-0806	3/8"-19	1/2"-14	8.5	12	36	36	22
DAJSBM907M-0808	1/2"-14	1/2"-14	9.3	12	38	36	22
DAJSBM907M-0812	3/4"-14	1/2"-14	16	16	43	39.5	27
DAJSBM907M-1208	1/2"-14	3/4"-14	9.3	16.7	41	43.5	27
DAJSBM907M-1212	3/4"-14	3/4"-14	16	16.7	40	41	27
DAJSBM907M-1612	3/4"-14	1"-11	16	22.2	47	50	33
DAJSBM907M-1616	1"-11	1"-11	20	22.2	48.5	50	33
DAJSBM907M-2020	1-1/4"-11	1-1/4"-11	28	28	57	56.5	41
DAJSBM907M-2424	1-1/2"-11	1-1/2"-11	33.3	33.3	61	62.5	48
DAJSBM907M-3232	2"-11	2"-11	46	46	73.2	74.2	63

DAJSM907M

90° Elbow JIS Metric Male 60° Cone - BSPT Male 60°

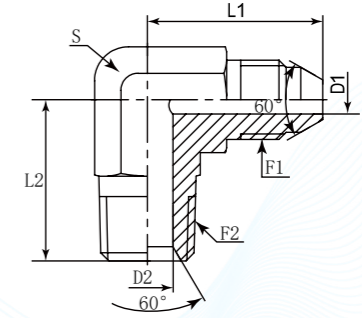
D	A	JS	M	9	07	M
Company	Product Range	Thread Types	Connection Type	Adaptor Structure	Thread Types	Connection Type
DME	Adaptor	JIS Metric	Male	90° Elbow	BSPT	Male

German Technology Equipment

SHIELD FLEX

New-Standard

- DME&JDE Code: **DAJSM907M**
- Product Type: **Hydraulic adaptor**
- Standard: **JIS**
- Structure: **90° Elbow**
- Connection Type: **Male x Male**
- Thread Types: **JIS Metric 60° Cone x BSPT 60°**



PART NUMBER	F1 (Thread)	F2 (Thread)	D1	D2	L1	L2	S	Cross Number
#	Metric	BSPT	mm	mm	mm	mm	mm	-
DAJSM907M-1402	M14X1.5	1/8"-28	5.00	4.50	28.50	22.00	14.00	1KT9-1402SP
DAJSM907M-1404	M14X1.5	1/4"-19	5.00	6.00	29.00	25.50	14.00	1KT9-1404SP
DAJSM907M-1406	M14X1.5	3/8"-19	5.00	9.00	30.00	31.00	19.00	1KT9-1406SP
DAJSM907M-1606	M16X1.5	3/8"-19	7.00	9.00	31.50	28.50	19.00	1KT9-1606SP
DAJSM907M-1806	M18X1.5	3/8"-19	8.50	9.00	33.80	29.50	19.00	1KT9-1806SP
DAJSM907M-2006	M20X1.5	3/8"-19	10.00	9.00	36.00	30.50	19.00	1KT9-2006SP
DAJSM907M-2206	M22X1.5	3/8"-19	12.00	9.00	38.00	32.50	22.00	1KT9-2206SP
DAJSM907M-2208	M22X1.5	1/2"-14	12.00	12.00	38.00	36.00	22.00	1KT9-2208SP
DAJSM907M-2408	M24X1.5	1/2"-14	15.00	12.00	43.00	40.50	27.00	1KT9-2408SP
DAJSM907M-2412	M24X1.5	3/4"-14	15.00	16.70	42.50	40.50	27.00	1KT9-2412SP
DAJSM907M-3012	M30X1.5	3/4"-14	18.50	16.70	48.00	45.30	30.00	1KT9-3012SP
DAJSM907M-3316	M33X1.5	1"-11	20.00	22.20	47.00	50.00	33.00	1KT9-3316SP



DAJSBM906Q

Adjustable 90° Elbow JIS BSPP Male 60° - BSPP Male + O Ring + Retaining Ring

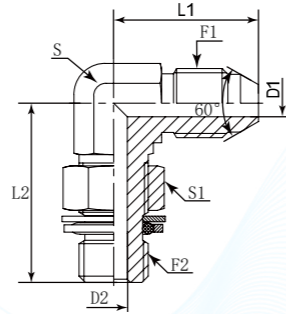
D	A	JSB	M	9	06	Q
Company	Product Range	Thread Types	Connection Type	Adaptor Structure	Thread Types	Connection Type
DME	Adaptor	JIS BSPP	Male	90° Elbow	BSPT	Male + O Ring + Retaining Ring

German Technology Equipment

SHIELD FLEX

New-Standard

- DME&JDE Code: **DAJSBM906Q**
- Product Type: **Hydraulic adaptor**
- Standard: **JIS**
- Structure: **90° Elbow**
- Connection Type: **Adjustable Male x Male**
- Thread Types: **JIS BSPP 60° x BSPP**
- Sealing Method: **O Ring + Retaining Ring**



PART NUMBER	F1 (Thread)	F2 (Thread)	D1	D2	L1	L2	S	S1	Cross Number
#	BSPP	BSPP	mm	mm	mm	mm	mm	mm	-
DAJSBM906Q-0404	1/4"-19	1/4"-19	4.00	7.50	27.00	31.50	14.00	19.00	15G9-0404
DAJSBM906Q-0606	3/8"-19	3/8"-19	8.50	9.90	31.00	36.50	19.00	22.00	15G9-0606
DAJSBM906Q-0808	1/2"-14	1/2"-14	9.30	12.30	37.00	43.00	22.00	27.00	15G9-0808
DAJSBM906Q-1212	3/4"-14	3/4"-14	16.00	15.50	43.00	49.30	27.00	32.00	15G9-1212
DAJSBM906Q-1616	1"-11	1"-11	20.00	21.50	48.50	53.00	33.00	41.00	15G9-1616
DAJSBM906Q-2020	1-1/4"-11	1-1/4"-11	28.00	27.50	52.00	58.00	41.00	50.00	15G9-2020

DAJSM906Q

90° Elbow JIS Metric Male 60° Cone - BSPP Male + O Ring + Retaining Ring

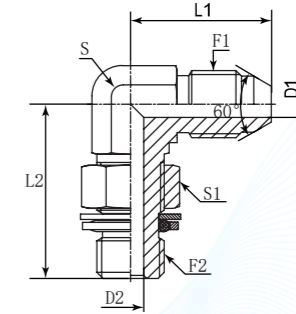
D	A	JS	M	9	06	Q
Company	Product Range	Thread Types	Connection Type	Adaptor Structure	Thread Types	Connection & Sealing Method
DME	Adaptor	JIS Metric	Male	90° Elbow	BSPP	Male + O Ring + Retaining Ring

German Technology Equipment

SHIELD FLEX

New-Standard

- DME&JDE Code: **DAJSM906Q**
- Product Type: **Hydraulic adaptor**
- Standard: **JIS**
- Structure: **90° Elbow**
- Connection Type: **Adjustable Male x Male**
- Thread Types: **JIS Metric 60° x BSPP**
- Sealing Method: **O Ring + Retaining Ring**



PART NUMBER	F1 (Thread)	F2 (Thread)	D1	D2	L1	L2	S	S1
#	METRIC	BSPP	mm	mm	mm	mm	mm	mm
DAJSM906Q-1404	M14X1.5	1/4"-19	7.00	7.50	30.60	31.50	19	19
DAJSM906Q-1406	M14X1.5	3/8"-19	7.00	9.90	30.60	36.50	19	22
DAJSM906Q-1606	M16X1.5	3/8"-19	7.00	9.90	30.80	36.50	19	22
DAJSM906Q-1806	M18X1.5	3/8"-19	8.50	9.90	31.00	36.50	19	22
DAJSM906Q-2006	M20X1.5	3/8"-19	10.00	9.90	35.50	38.00	22	22
DAJSM906Q-2208	M22X1.5	1/2"-14	12.00	12.30	35.50	44.00	22	27
DAJSM906Q-2408	M24X1.5	1/2"-14	15.00	12.30	42.00	43.00	27	27
DAJSM906Q-3012	M30X1.5	3/4"-14	18.50	15.50	46.00	49.00	33	36
DAJSM906Q-3316	M33X1.5	1"-11	20.00	21.50	46.50	52.00	33	41



DAJSM952Q

Adjustable 90° Elbow JIS Metric Male 60° - Metric Male + O Ring + Retaining Ring

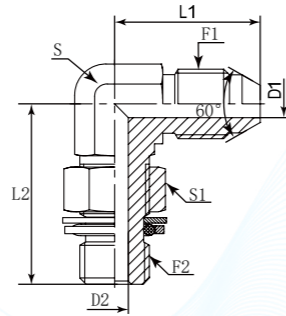
D	A	JS	M	9	52	Q
Company	Product Range	Thread Types	Connection Type	Adaptor Structure	Thread Types	Connection Type
DME	Adaptor	JIS Metric	Male	90° Elbow	Metric	Male + O Ring + Retaining Ring

German Technology Equipment

SHIELD FLEX

New-Standard

- DME&JDE Code: **DAJSM952Q**
- Product Type: **Hydraulic adaptor**
- Standard: **JIS**
- Structure: **90° Elbow**
- Connection Type: **Adjustable Male x Male**
- Thread Types: **JIS Metric 60° x Metric**
- Sealing Method: **O Ring + Retaining Ring**



PART NUMBER	F1 (Thread)	F2 (Thread)	D1	D2	L1	L2	S	S1
#	Metric	Metric	mm	mm	mm	mm	mm	mm
DAJSM952Q-1614	M16X1.5	M14X1.5	7.00	6.00	30.00	35.00	17.00	19.00
DAJSM952Q-1814	M18X1.5	M14X1.5	8.50	6.00	30.00	36.50	19.00	19.00
DAJSM952Q-1816	M18X1.5	M16X1.5	8.50	7.00	30.00	36.50	19.00	22.00
DAJSM952Q-2018	M20X1.5	M18X1.5	10.00	9.00	36.00	41.50	22.00	24.00
DAJSM952Q-2220	M22X1.5	M20X1.5	12.00	12.00	36.00	45.00	22.00	27.00

DAJSBM9305

Adjustable 90° Elbow JIS BSPP Male 60° - SAE Male + O Ring

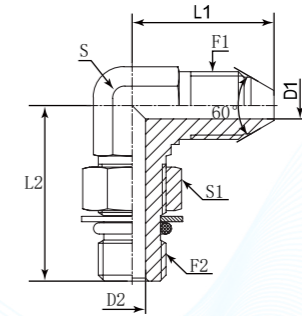
D	A	JS	M	9	30	5
Company	Product Range	Thread Types	Connection Type	Adaptor Structure	Thread Types	Connection & Sealing Method
DME	Adaptor	JIS Metric	Male	90° Elbow	SAE UNF	Male + O Ring

German Technology Equipment

SHIELD FLEX

New-Standard

- DME&JDE Code: **DAJSBM9305**
- Product Type: **Hydraulic adaptor**
- Standard: **JIS**
- Structure: **90° Elbow**
- Connection Type: **Adjustable Male x Male**
- Thread Types: **BSPP x UNF**
- Sealing Method: **O Rings**



PART NUMBER	F1 (Thread)	F2 (Thread)	D1	D2	L1	L2	S	S1
#	BSPP	UNF	mm	mm	mm	mm	mm	mm
DAJSBM9305-0404	1/4"-19	7/16"-20	4.00	4.37	28.00	30.50	14	17
DAJSBM9305-0406	1/4"-19	9/16"-18	4.00	7.54	28.00	31.80	14	19
DAJSBM9305-0604	3/8"-19	7/16"-20	8.50	4.37	29.00	31.50	16	17
DAJSBM9305-0606	3/8"-19	9/16"-18	8.50	7.54	29.00	33.30	16	19
DAJSBM9305-0608	3/8"-19	3/4"-16	8.50	9.93	32.00	37.50	19	24
DAJSBM9305-0806	1/2"-14	9/16"-18	9.30	7.54	38.00	37.00	22	19
DAJSBM9305-0808	1/2"-14	3/4"-16	9.30	9.93	38.00	40.00	22	24
DAJSBM9305-1210	3/4"-14	7/8"-14	16.00	12.29	43.00	47.00	27	27
DAJSBM9305-1212	3/4"-14	1-1/16"-12	16.00	15.47	43.00	51.00	27	32
DAJSBM9305-1612	1"-11	1-1/16"-12	20.00	15.47	48.50	54.50	33	32
DAJSBM9305-1616	1"-11	1-5/16"-12	20.00	21.44	48.50	54.50	33	41
DAJSBM9305-2016	1-1/4"-11	1-5/16"-12	28.00	21.44	57.00	59.50	41	41
DAJSBM9305-2020	1-1/4"-11	1-5/8"-12	28.00	27.38	57.00	59.50	41	50
DAJSBM9305-2420	1-1/2"-11	1-5/8"-12	34.00	27.38	61.00	63.00	48	50
DAJSBM9305-2424	1-1/2"-11	1-7/8"-12	34.00	33.32	61.00	63.00	48	55

Certificate: **ISO 9001** **ISO 14001** **MSHA** **DAkks** **DEKRA** **DIN** **SE** **MA** **USF**



DAJSM9071

90° Elbow JIS Metric Male 60° Cone - Metric Swivel Female 60°

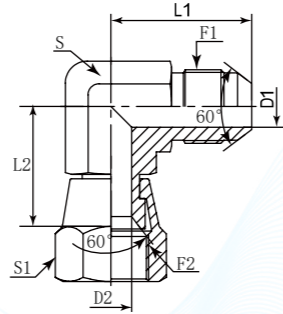
D	A	JS	M	9	071
Company	Product Range	Thread Types	Connection Type	Adaptor Structure	Connection Type
DME	Adaptor	JIS Metric	Male	90° Elbow	Metric Swivel Female

German Technology Equipment

SHIELD FLEX

New-Standard

- DME&JDE Code: **DAJSM9071**
- Product Type: **Hydraulic adaptor**
- Standard: **JIS**
- Structure: **90° Elbow**
- Connection Type: **Male x Swivel Female**
- Thread Types: **JIS Metric 60° Cone x Metric 60°**



PART NUMBER	F1 (Thread)	F2 (Thread)	D1	D2	L1	L2	S	S1	Cross Number
#	Metric	Metric	mm	mm	mm	mm	mm	mm	-
DAJSM9071-1414	M14X1.5	M14X1.5	5.00	4.00	29.00	22.50	14.00	19.00	2K9-14
DAJSM9071-1616	M16X1.5	M16X1.5	7.00	7.00	31.50	24.50	16.00	22.00	2K9-16
DAJSM9071-1818	M18X1.5	M18X1.5	8.50	8.50	33.80	27.30	19.00	24.00	2K9-18
DAJSM9071-2222	M22X1.5	M22X1.5	12.00	12.00	38.00	29.50	22.00	27.00	2K9-22
DAJSM9071-2424	M24X1.5	M24X1.5	15.00	12.50	41.50	32.00	27.00	32.00	2K9-24
DAJSM9071-3030	M30X1.5	M30X1.5	18.50	14.00	48.00	38.00	30.00	36.00	2K9-30
DAJSM9071-3333	M33X1.5	M33X1.5	20.00	18.50	55.00	45.50	33.00	41.00	2K9-33



DAJSBM9041

90° Elbow JIS BSPP Male 60° Cone - BSPP Swivel Female 60°

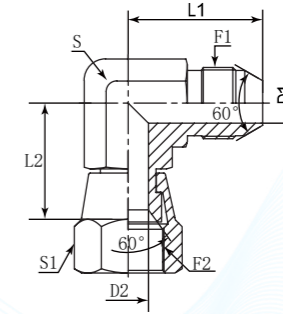
D	A	JSB	M	9	041
Company	Product Range	Thread Types	Connection Type	Adaptor Structure	Connection Type
DME	Adaptor	JIS BSPP	Male	90° Elbow	BSPP Swivel Female

German Technology Equipment

SHIELD FLEX

New-Standard

- DME&JDE Code: **DAJSBM9041**
- Product Type: **Hydraulic adaptor**
- Standard: **JIS**
- Structure: **90° Elbow**
- Connection Type: **Male x Swivel Female**
- Thread Types: **JIS BSPP 60° Cone x BSPP 60°**



PART NUMBER	F1 (Thread)	F2 (Thread)	D1	D2	L1	L2	S	S1
#	BSPP	BSPP	mm	mm	mm	mm	mm	mm
DAJSBM9041-0404	1/4"-19	1/4"-19	4.00	4.00	27.00	20.00	14	19
DAJSBM9041-0606	3/8"-19	3/8"-19	8.50	6.90	31.75	22.00	19	22
DAJSBM9041-0808	1/2"-14	1/2"-14	9.30	9.50	37.00	24.50	22	27
DAJSBM9041-1212	3/4"-14	3/4"-14	16.70	15.00	42.00	30.00	27	32
DAJSBM9041-1616	1"-11	1"-11	20.00	20.00	47.00	44.00	36	41
DAJSBM9041-2020	1-1/4"-11	1-1/4"-11	28.00	26.00	52.00	50.00	50	50
DAJSBM9041-2424	1-1/2"-11	1-1/2"-11	34.00	33.00	60.50	53.00	55	55
DAJSBM9041-3232	2"-11	2"-11	46.00	46.00	75.00	60.00	65	70



DAJSMT52JM

Branch Tee Connector JIS Metric Male 60° - JIS Metric Male 60°

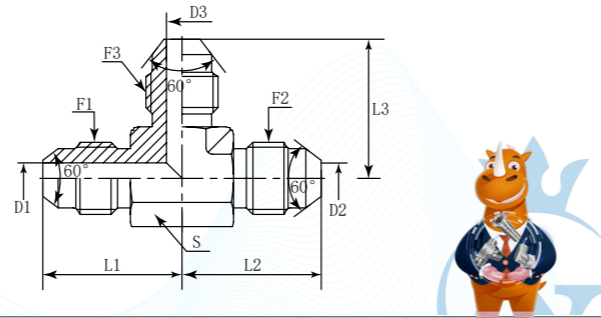
D	A	JS	M	T	52J	M
Company	Product Range	Thread Types	Connection Type	Adaptor Structure	Thread Types	Connection Type
DME	Adaptor	JIS Metric	Male	Branch Tee	JIS Metric	Male

German Technology Equipment

SHIELD FLEX

New-Standard

- DME&JDE Code: **DAJSMT52JM**
- Product Type: **Hydraulic adaptor**
- Standard: **JIS**
- Structure: **Branch Tee**
- Connection Type: **Male x Male x Male**
- Thread Types: **JIS Metric 60° x JIS Metric 60° x JIS Metric 60°**



PART NUMBER	F1 (Thread)	F2 (Thread)	F3 (Thread)	D1	D2	D3	L1	L2	L3	S
#	METRIC	METRIC	METRIC	mm	mm	mm	mm	mm	mm	mm
DAJSMT52JM-141420	M14X1.5	M14X1.5	M20X1.5	5.00	5.00	10.0	34.00	34.00	37.00	22
DAJSMT52JM-181818	M18X1.5	M18X1.5	M18X1.5	8.50	8.50	8.50	30.80	30.80	30.80	19
DAJSMT52JM-222222	M22X1.5	M22X1.5	M22X1.5	12.00	12.00	12.0	35.50	35.50	35.50	22
DAJSMT52JM-242424	M24X1.5	M24X1.5	M24X1.5	15.00	15.0	15.0	39.50	39.50	39.50	27
DAJSMT52JM-303030	M30X1.5	M30X1.5	M30X1.5	18.00	18.0	18.0	46.00	46.00	46.00	33

DAJSMT071

Branch Tee JIS Metric Male 60° Cone - Metric Swivel Female 60°

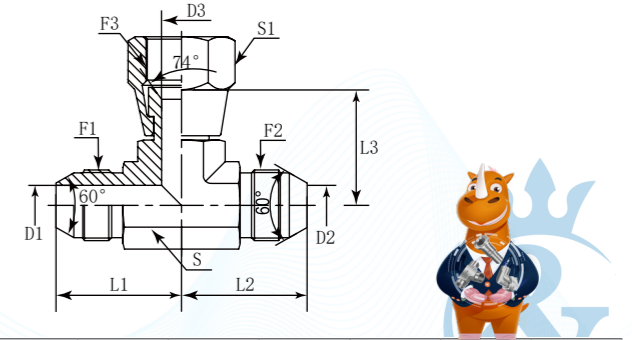
D	A	JS	M	T	071
Company	Product Range	Thread Types	Connection Type	Adaptor Structure	Connection Type
DME	Adaptor	JIS Metric	Male	Branch Tee	Metric Swivel Female

German Technology Equipment

SHIELD FLEX

New-Standard

- DME&JDE Code: **DAJSMT071**
- Product Type: **Hydraulic adaptor**
- Standard: **JIS**
- Structure: **Branch Tee**
- Connection Type: **Male x Male x Swivel Female**
- Thread Types: **JIS Metric 60° Cone x JIS Metric 60° Cone x Metric 60°**



PART NUMBER	F1 (Thread)	F2 (Thread)	F3 (Thread)	D1	D2	D3	L1	L2	L3	S	S1
#	METRIC	METRIC	METRIC	mm	mm	mm	mm	mm	mm	mm	mm
DAJSMT071-1414	M14X1.5	M14X1.5	M14X1.5	6.00	6.00	4.00	27.00	27.00	19.50	17	19
DAJSMT071-1818	M18X1.5	M18X1.5	M18X1.5	8.50	8.50	8.50	30.80	30.80	24.30	19	24
DAJSMT071-2222	M22X1.5	M22X1.5	M22X1.5	12.00	12.00	9.50	35.50	35.50	27.00	22	27
DAJSMT071-2424	M24X1.5	M24X1.5	M24X1.5	15.00	15.00	12.50	39.50	39.50	29.50	27	32
DAJSMT071-3030	M30X1.5	M30X1.5	M30X1.5	18.00	18.00	18.00	46.00	46.00	35.60	33	36



DAJSML071

Run Tee JIS Metric Male 60° Cone - Metric Swivel Female 60°

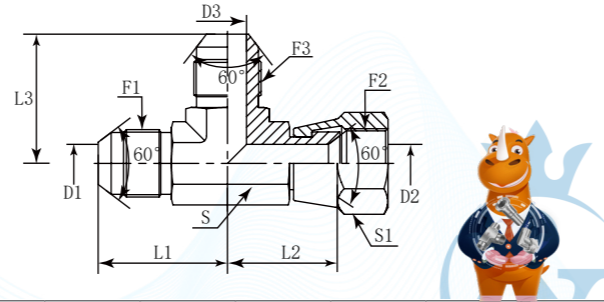
D	A	JS	M	L	071
Company	Product Range	Thread Types	Connection Type	Adaptor Structure	Connection Type
DME	Adaptor	JIS Metric	Male	Run Tee	Metric Swivel Female

German Technology Equipment

SHIELD FLEX

New-Standard

- DME&JDE Code: **DAJSML071**
- Product Type: **Hydraulic adaptor**
- Standard: **JIS**
- Structure: **Run Tee**
- Connection Type: **Male x Swivel Female x Male**
- Thread Types: **JIS Metric 60° Cone x Metric 60° x JIS Metric 60° Cone**



PART NUMBER	F1 (Thread)	F2 (Thread)	F3 (Thread)	D1	D2	D3	L1	L2	L3	S	S1
#	METRIC	METRIC	METRIC	mm	mm	mm	mm	mm	mm	mm	mm
DAJSML071-1414	M14X1.5	M14X1.5	M14X1.5	6.00	4.00	6.00	27.00	19.50	27.00	17	19
DAJSML071-1818	M18X1.5	M18X1.5	M18X1.5	8.50	8.50	8.50	30.80	24.30	30.80	19	24
DAJSML071-2222	M22X1.5	M22X1.5	M22X1.5	12.00	9.50	12.00	35.50	27.00	35.50	22	27
DAJSML071-2424	M24X1.5	M24X1.5	M24X1.5	15.00	12.50	15.00	39.50	29.50	39.50	27	32
DAJSML071-3030	M30X1.5	M30X1.5	M30X1.5	18.00	18.00	18.00	46.00	35.60	46.00	33	36

DAJSBML041

Run Tees JIS BSPP Female 60° Cone - BSPP Male 60°

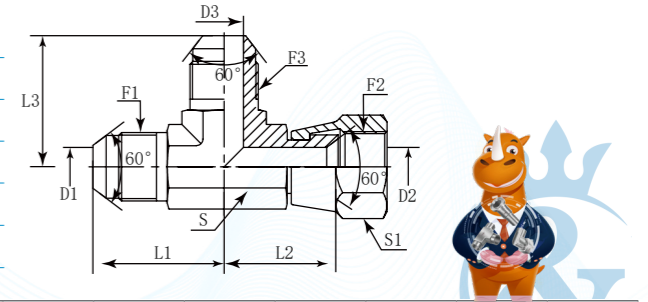
D	A	JSB	M	L	041
Company	Product Range	Thread Types	Connection Type	Adaptor Structure	Connection Type
DME	Adaptor	JIS BSPP	Male	Run Tee	BSPP Swivel Female

German Technology Equipment

SHIELD FLEX

New-Standard

- DME&JDE Code: **DAJSBML041**
- Product Type: **Hydraulic adaptor**
- Standard: **JIS**
- Structure: **Run Tee**
- Connection Type: **Female x Male x Female**
- Thread Types: **JIS BSPP 60° Cone x BSPP 60° x JIS BSPP 60° Cone**



PART NUMBER	F1 (Thread)	F2 (Thread)	F3 (Thread)	D1	D2	D3	L1	L2	L3	S	S1
#	BSPP	BSPP	BSPP	mm	mm	mm	mm	mm	mm	mm	mm
DAJSBML041-0404	1/4"-19	1/4"-19	1/4"-19	5.00	4.00	5.00	26.90	20.50	26.90	14	19
DAJSBML041-0606	3/8"-19	3/8"-19	3/8"-19	7.00	7.00	7.00	31.50	24.50	31.50	19	22
DAJSBML041-0808	1/2"-14	1/2"-14	1/2"-14	11.00	10.00	11.00	38.00	26.50	38.00	22	27
DAJSBML041-1212	3/4"-14	3/4"-14	3/4"-14	16.00	15.00	16.00	42.20	30.20	42.20	27	32
DAJSBML041-1616	1"-11	1"-11	1"-11	22.20	22.20	22.20	47.00	44.00	47.00	33	41
DAJSBML041-2020	1-1/4"-11	1-1/4"-11	1-1/4"-11	28.60	26.00	28.60	52.30	50.00	52.30	41	50
DAJSBML041-2424	1-1/2"-11	1-1/2"-11	1-1/2"-11	33.30	33.30	33.30	60.50	53.30	60.50	48	55
DAJSBML041-3232	2"-11	2"-11	2"-11	46.00	46.00	46.00	75.00	60.00	75.00	65	70





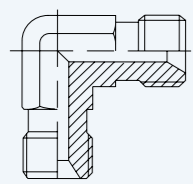
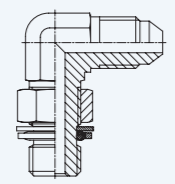
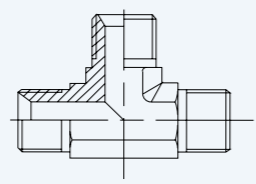
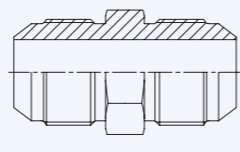
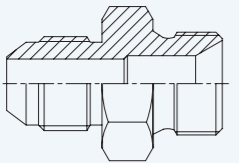
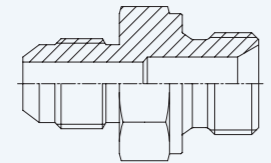
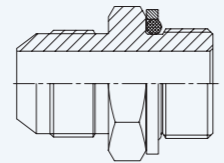
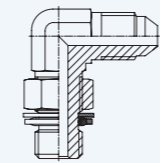
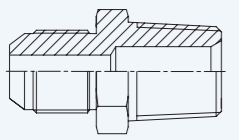
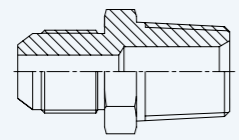
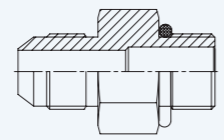
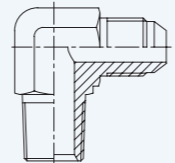
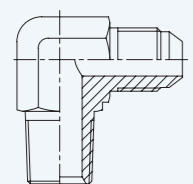
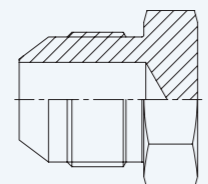
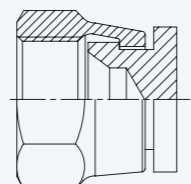
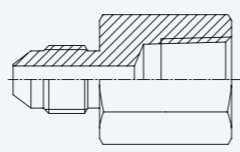
Hydraulic Adaptors

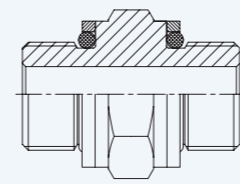
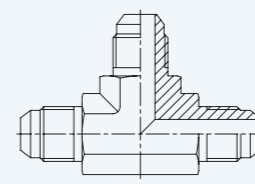
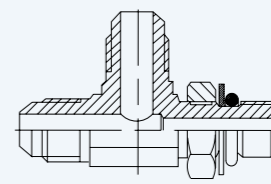
Metric >>



<p>DAMM152M P691</p> <p>Straight Connector Metric Male 60° Cone - Metric Male 60° Cone</p>	<p>DAMM1061 P692</p> <p>Straight Connector Metric Male 60° Cone - BSPP Male Gaptive Seal</p>	<p>DAMM128M P693</p> <p>Straight Connector Metric Male 60° Cone - NPTF Male 60°</p>	<p>DAMM1021 P694</p> <p>Straight Connector Metric Male 60° Cone - Metric Female 60° Cone</p>
<p>DAMM1081 P695</p> <p>Straight Connector Metric Male 60° Cone - BSPP Female 60° Cone</p>	<p>DAMM1251 P696</p> <p>Straight Connector Metric Male 60° Cone - JIC Female 74° Cone</p>	<p>DAMM107M P697</p> <p>Straight Connector Metric Male 60° - BSPT Male 60°</p>	<p>DAMM107M-LH P698</p> <p>Straight Connector Metric Male 60° - BSPT Male 60° Large Hexagon</p>
<p>DAJMM152M P699</p> <p>Metric Male 74° Cone - Metric Male Bonded Seal Type</p>	<p>DAJMM128M P700</p> <p>Metric Male 74° Cone -NPTF Male</p>	<p>DAMM1000 P701</p> <p>Male Plug Metric Male 60°</p>	<p>DAMM152F P702</p> <p>Straight Connector Metric Male 60°Cone - Metric Fixed Female</p>
<p>DAMM128F P703</p> <p>Straight Connector Metric Male 60° Cone - NPTF Fixed Female</p>	<p>DAMM105F P705</p> <p>Straight Connector Metric Male 60° Cone - BSPP Fixed Female</p>	<p>DAMF1305 P706</p> <p>Straight Connector Metric Female - SAE Male O Ring</p>	<p>DAMF152F P707</p> <p>Straight Connector Metric Fixed Female</p>

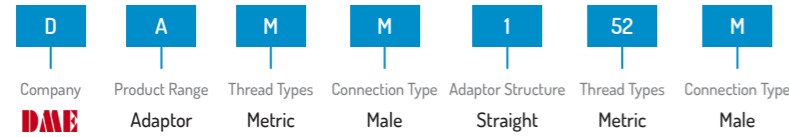


<p>DAMM952M P708</p>  <p>90° Elbow Metric Male 60° Cone - Metric Male 60° Cone</p>	<p>DAJCMM906Q P709</p>  <p>90° Adjustable Elbow Metric Male 74° Cone - BSPP Male + O Ring + Retaining Ring</p>	<p>DAMMT52M P710</p>  <p>Branch Tee Connector Metric 60° Male - Metric 60° Male</p>	<p>DAJCMM152JCM P711</p>  <p>Straight Connector Metric Male 74° Cone</p>
<p>DAJCMM105M P712</p>  <p>Straight Connector Metric Male 74° Cone - BSPP Male 60°</p>	<p>DAJCMM152M P713</p>  <p>Straight Connector Metric Male 74° Cone - Metric Male 60° Cone</p>	<p>DAJCMM106Q P714</p>  <p>Straight Connector Metric Male 74° Cone - BSPP Male + O Ring</p>	<p>DAJCMM952Q P715</p>  <p>90° Elbow Metric Male 74° Cone - Metric Male + O Ring + Retaining Ring</p>
<p>DAJCMM107M P716</p>  <p>Straight Connector Metric Male 74° Cone - BSPT Male</p>	<p>DAJCMM128M P717</p>  <p>Straight Connector Metric Male 74° Cone - NPTF Male</p>	<p>DAJCMM1305 P718</p>  <p>Straight Connector Metric Male 74° Cone - SAE Male O Ring</p>	<p>DAJCMM907M P719</p>  <p>90° Elbow Metric Male 74° Cone - BSPT Male</p>
<p>DAJCMM928M P720</p>  <p>90° Elbow Metric Male 74° Cone - NPTF Male</p>	<p>DAJCMM1000 P721</p>  <p>Metric Male 74° Cone Plug</p>	<p>DAJCMM31000 P722</p>  <p>Metric Female 74° Cone Plug</p>	<p>DAJCMM128F P723</p>  <p>Straight Connector Metric Male 74° Cone - NPTF Female</p>

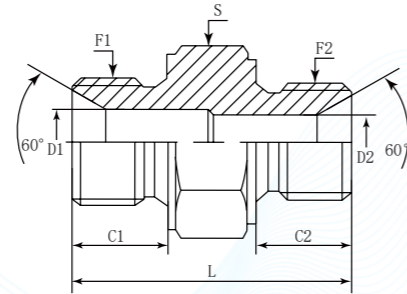
<p>DAMM0152M0 P724</p>  <p>Straight Connector Metric Male L + O Ring</p>	<p>DAJCMMT52JCM P725</p>  <p>Branch Tee Metric Male 74° - Metric Male 74°</p>	<p>DAJMML065 P726</p>  <p>Run Tee Connector Metric Male 84° Cone - Adjustable BSPP Male O Ring</p>
--	---	--

DAMM152M

Straight Connector Metric Male 60° Cone - Metric Male 60° Cone



- DME&JDE Code: **DAMM152M**
- Product Type: **Hydraulic adaptor**
- Standard: **Metric**
- Structure: **Straight**
- Connection Type: **Male x Male**
- Thread Types: **Metric 60° Cone x Metric 60° Cone**



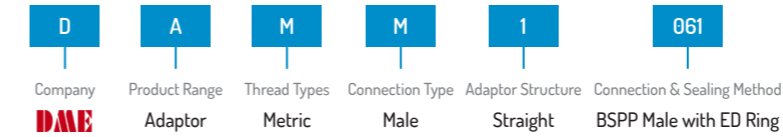
Filter the F1 Thread through selecting the -XX options

PART NUMBER	F1 (Thread)	F2 (Thread)	C1	C2	D1	D2	L	S
#	Metric	Metric	mm	mm	mm	mm	mm	mm
DAMM152M-0808	M8X1	M8X1	8.00	8.00	3.00	3.00	24.00	14.00
DAMM152M-1008	M10X1	M8X1	8.00	8.00	3.00	3.00	25.00	14.00
DAMM152M-1010	M10X1	M10X1	8.00	8.00	3.50	3.50	25.00	14.00
DAMM152M-1210	M12X1.5	M10X1	10.00	8.00	4.00	4.00	27.00	17.00
DAMM152M-1212	M12X1.5	M12X1.5	10.00	10.00	5.00	5.00	29.00	17.00
DAMM152M-1412	M14X1.5	M12X1.5	12.00	10.00	5.00	5.00	33.00	19.00
DAMM152M-1414	M14X1.5	M14X1.5	11.00	11.00	6.00	6.00	34.00	19.00
DAMM152M-1612	M16X1.5	M12X1.5	12.00	10.00	8.00	5.00	34.00	22.00
DAMM152M-1614	M16X1.5	M14X1.5	12.00	12.00	6.00	6.00	35.00	22.00
DAMM152M-1616	M16X1.5	M16X1.5	12.00	12.00	8.00	8.00	36.00	22.00
DAMM152M-1812	M18X1.5	M12X1.5	12.00	10.00	10.00	5.00	34.00	24.00
DAMM152M-1816	M18X1.5	M16X1.5	12.00	12.00	8.00	8.00	36.00	24.00
DAMM152M-1818	M18X1.5	M18X1.5	12.00	12.00	10.00	10.00	36.00	24.00
DAMM152M-2018	M20X1.5	M18X1.5	14.00	12.00	10.00	10.00	38.00	27.00
DAMM152M-2020	M20X1.5	M20X1.5	14.00	14.00	12.00	12.00	41.00	27.00
DAMM152M-2216	M22X1.5	M16X1.5	14.00	12.00	14.10	8.00	39.50	27.00
DAMM152M-2218	M22X1.5	M18X1.5	14.00	12.00	14.10	10.00	39.50	27.00
DAMM152M-2222	M22X1.5	M22X1.5	14.00	14.00	14.10	14.10	41.50	27.00
DAMM152M-2420	M24X1.5	M20X1.5	14.00	14.00	15.00	12.00	43.00	30.00
DAMM152M-2422	M24X1.5	M22X1.5	14.00	14.00	14.10	14.10	43.00	30.00
DAMM152M-2424	M24X1.5	M24X1.5	14.00	14.00	15.00	15.00	43.00	30.00
DAMM152M-2618	M26X1.5	M18X1.5	16.00	12.00	15.00	10.00	43.00	32.00
DAMM152M-2622	M26X1.5	M22X1.5	16.00	14.00	14.10	14.10	45.00	32.00
DAMM152M-2626	M26X1.5	M26X1.5	16.00	16.00	15.00	15.00	47.00	32.00
DAMM152M-3030	M30X2	M30X2	18.00	18.00	19.50	19.50	49.00	36.00

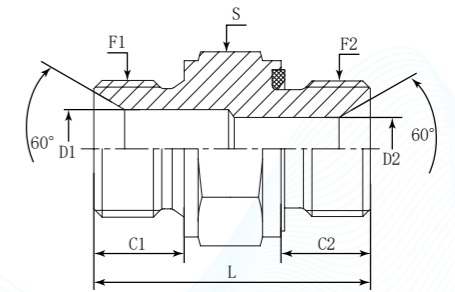


DAMM1061

Straight Connector Metric Male 60° Cone - BSPP Male Gaptive Seal



- DME&JDE Code: **DAMM1061**
- Product Type: **Hydraulic adaptor**
- Standard: **Metric**
- Structure: **Straight**
- Connection Type: **Male x Male**
- Thread Types: **Metric 60° Cone x BSPP**



PART NUMBER	F1 (Thread)	F2 (Thread)	C1	C2	D1	D2	L	S
#	METRIC	BSPP	mm	mm	mm	mm	mm	mm
DAMM1061-1204	M12X1.5	1/4"-19	10.00	12.00	4.00	6.00	32.00	19
DAMM1061-1404	M14X1.5	1/4"-19	11.00	12.00	6.00	6.00	33.00	19
DAMM1061-1406	M14X1.5	3/8"-19	12.00	12.00	6.00	7.90	35.00	22
DAMM1061-1604	M16X1.5	1/4"-19	11.00	12.00	8.00	6.00	34.50	22
DAMM1061-1606	M16X1.5	3/8"-19	12.00	12.00	8.00	7.90	35.50	22
DAMM1061-1608	M16X1.5	1/2"-14	12.00	12.00	8.00	12.00	35.50	24
DAMM1061-1806	M18X1.5	3/8"-19	14.00	12.00	10.00	7.90	39.50	27
DAMM1061-1808	M18X1.5	1/2"-14	12.00	14.00	10.00	12.00	40.00	27
DAMM1061-2008	M20X1.5	1/2"-14	12.00	14.00	12.00	12.00	40.00	27
DAMM1061-2206	M22X1.5	3/8"-19	14.00	14.00	14.10	7.90	42.00	27
DAMM1061-2208	M22X1.5	1/2"-14	14.00	14.00	14.10	12.00	42.00	27
DAMM1061-2212	M22X1.5	3/4"-14	16.00	14.00	14.10	16.70	45.00	32
DAMM1061-2412	M24X1.5	3/4"-14	14.00	16.00	15.00	16.70	45.00	32
DAMM1061-2608	M26X1.5	1/2"-14	14.00	16.00	15.00	12.00	45.00	32
DAMM1061-2612	M26X1.5	3/4"-14	16.00	16.00	15.00	16.70	47.00	32
DAMM1061-3012	M30X1.5	3/4"-14	18.00	16.00	19.00	16.70	49.00	36
DAMM1061-3016	M30X1.5	1"-11	18.00	18.00	19.00	22.20	53.00	41
DAMM1061-3316	M33X1.5	1"-11	19.00	18.00	21.50	22.20	54.00	41



DAMM128M

Straight Connector Metric Male 60° Cone - NPTF Male 60°

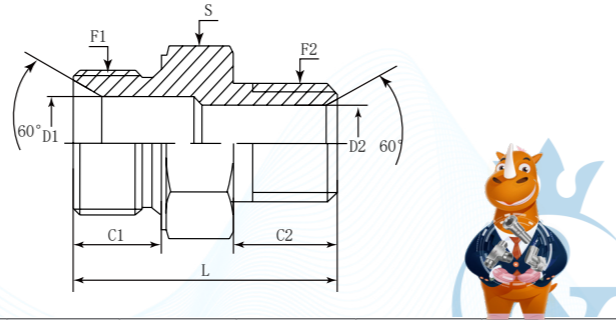
D	A	M	M	1	28	M
Company	Product Range	Thread Types	Connection Type	Adaptor Structure	Thread Types	Connection Type
DME	Adaptor	Metric	Male	Straight	NPTF	Male

German Technology Equipment

SHIELD FLEX

New-Standard

- DME&JDE Code: **DAMM128M**
- Product Type: **Hydraulic adaptor**
- Standard: **Metric**
- Structure: **Straight**
- Connection Type: **Male x Male**
- Thread Types: **Metric 60° Cone x NPTF 60°**



PART NUMBER	F1 (Thread)	F2 (Thread)	C	L	D1	D2	S	S1
#	Metric	NPTF	mm	mm	mm	mm	mm	mm
DAMM128M-0804	M8X1	1/4"-18	8.00	14.22	3.00	7.14	30.00	15.88
DAMM128M-1204	M12X1.5	1/4"-18	10.00	14.22	6.00	7.14	32.00	17.00
DAMM128M-1206	M12X1.5	3/8"-18	10.00	14.22	6.00	10.31	33.00	19.00
DAMM128M-1208	M12X1.5	1/2"-14	10.00	19.05	6.00	13.49	39.00	22.00
DAMM128M-1808	M18X1.5	1/2"-14	12.00	19.05	10.00	13.49	41.00	24.00

DAMM1021

Straight Connector Metric Male 60° Cone - Metric Female 60° Cone

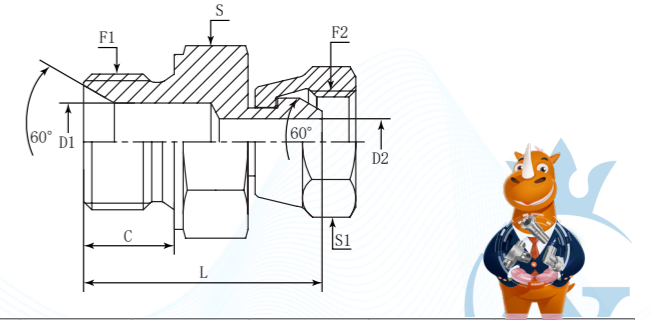
D	A	M	M	1	021
Company	Product Range	Thread Types	Connection Type	Adaptor Structure	Connection Type
DME	Adaptor	Metric	Male	Straight	Metric Swivel Female 60° Cone

German Technology Equipment

SHIELD FLEX

New-Standard

- DME&JDE Code: **DAMM1021**
- Product Type: **Hydraulic adaptor**
- Standard: **Metric**
- Structure: **Straight**
- Connection Type: **Male x Female**
- Thread Types: **Metric 60° Cone x Metric 60° Cone**



PART NUMBER	F1 (Thread)	F2 (Thread)	C	D1	D2	L	S	S1
#	METRIC	METRIC	mm	mm	mm	mm	mm	mm
DAMM1021-1212	M12X1.5	M12X1.5	10.00	4.00	4.00	28.00	17	17
DAMM1021-1414	M14X1.5	M14X1.5	11.00	6.00	4.70	29.50	19	19
DAMM1021-1616	M16X1.5	M16X1.5	12.00	8.00	6.00	32.00	22	22
DAMM1021-1618	M16X1.5	M18X1.5	12.00	8.00	8.00	33.00	22	24
DAMM1021-1816	M18X1.5	M16X1.5	12.00	10.00	6.00	33.00	24	24
DAMM1021-1818	M18X1.5	M18X1.5	12.00	10.00	8.00	32.00	24	22
DAMM1021-1820	M18X1.5	M20X1.5	12.00	10.00	10.00	34.50	24	27
DAMM1021-1822	M18X1.5	M22X1.5	12.00	10.00	11.00	35.00	24	27
DAMM1021-2018	M20X1.5	M18X1.5	14.00	12.00	8.00	38.50	27	27
DAMM1021-2020	M20X1.5	M20X1.5	14.00	12.00	10.00	37.00	27	24
DAMM1021-2022	M20X1.5	M22X1.5	14.00	12.00	11.00	39.00	27	27
DAMM1021-2218	M22X1.5	M18X1.5	14.00	14.10	8.00	39.00	27	27
DAMM1021-2220	M22X1.5	M20X1.5	14.00	14.10	10.00	37.00	27	24
DAMM1021-2222	M22X1.5	M22X1.5	14.00	14.10	11.00	38.50	27	27
DAMM1021-2727	M27X2	M27X2	16.00	15.00	15.00	42.50	32	32
DAMM1021-3030	M30X2	M30X2	18.00	19.00	19.00	46.50	36	36



DAMM1081

Straight Connector Metric Male 60° Cone - BSPP Female 60° Cone

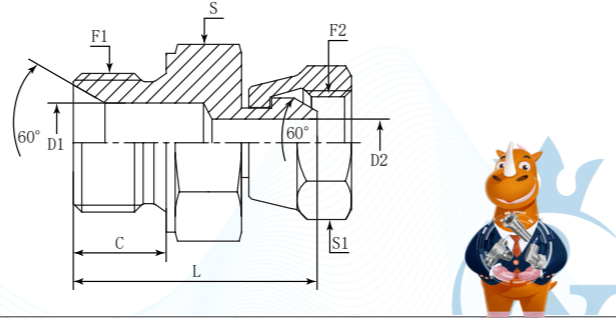
D	A	M	M	1	081
Company	Product Range	Thread Types	Connection Type	Adaptor Structure	Connection Type
DME	Adaptor	Metric	Male	Straight	BSPP Swivel Female

German Technology Equipment

SHIELD FLEX

New-Standard

- DME&JDE Code: **DAMM1081**
- Product Type: **Hydraulic adaptor**
- Standard: **Metric**
- Structure: **Straight**
- Connection Type: **Male x Female**
- Thread Types: **Metric 60° Cone x BSPP 60° Cone**



PART NUMBER	F1 (Thread)	F2 (Thread)	C	D1	D2	L	S	S1
#	METRIC	BSPP	mm	mm	mm	mm	mm	mm
DAMM1081-1204	M12X1.5	1/4"-19	10.00	4.00	4.00	28.00	17	19
DAMM1081-1404	M14X1.5	1/4"-19	11.00	6.00	4.70	29.00	19	19
DAMM1081-1406	M14X1.5	3/8"-19	11.00	6.00	7.10	30.20	19	22
DAMM1081-1408	M14X1.5	1/2"-14	11.00	6.00	11.10	32.00	19	27
DAMM1081-1604	M16X1.5	1/4"-19	12.00	8.00	4.70	32.00	22	19
DAMM1081-1606	M16X1.5	3/8"-19	12.00	8.00	7.10	33.20	22	22
DAMM1081-1608	M16X1.5	1/2"-14	12.00	8.00	11.10	35.00	22	27
DAMM1081-1612	M16X1.5	3/4"-14	12.00	8.00	16.70	38.10	27	32
DAMM1081-1806	M18X1.5	3/8"-19	12.00	10.00	7.10	33.20	24	22
DAMM1081-1808	M18X1.5	1/2"-14	12.00	10.00	11.10	35.00	24	27
DAMM1081-2006	M20X1.5	3/8"-19	14.00	12.00	7.10	37.20	27	22
DAMM1081-2008	M20X1.5	1/2"-14	14.00	12.00	11.10	39.00	27	27
DAMM1081-2012	M20X1.5	3/4"-14	14.00	12.00	16.70	40.10	27	32
DAMM1081-2206	M22X1.5	3/8"-19	14.00	14.10	7.10	37.20	27	22
DAMM1081-2208	M22X1.5	1/2"-14	14.00	14.10	11.10	39.00	27	27
DAMM1081-2212	M22X1.5	3/4"-14	14.00	14.10	16.70	40.10	27	32
DAMM1081-2606	M26X1.5	3/8"-19	16.00	15.00	7.10	40.20	32	22
DAMM1081-2608	M26X1.5	1/2"-14	16.00	15.00	11.10	42.00	32	27
DAMM1081-2612	M26X1.5	3/4"-14	16.00	15.00	16.70	43.10	32	32
DAMM1081-3006	M30X2	3/8"-19	18.00	19.00	7.10	42.20	36	22
DAMM1081-3008	M30X2	1/2"-14	18.00	19.00	11.10	44.00	36	27

DAMM1251

Straight Connector Metric Male 60° Cone - JIC Female 74° Cone

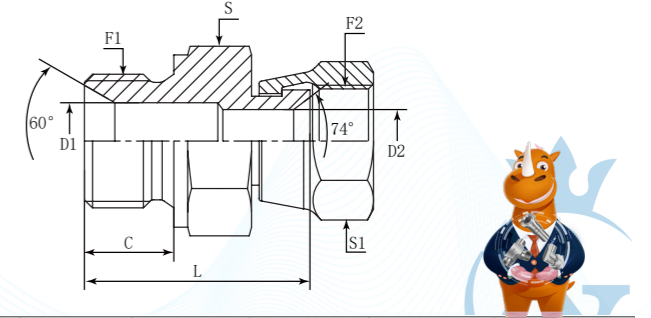
D	A	M	M	1	251
Company	Product Range	Thread Types	Connection Type	Adaptor Structure	Connection Type
DME	Adaptor	Metric	Male	Straight	JIC Swivel Female

German Technology Equipment

SHIELD FLEX

New-Standard

- DME&JDE Code: **DAMM1251**
- Product Type: **Hydraulic adaptor**
- Standard: **Metric**
- Structure: **Straight**
- Connection Type: **Male x Female**
- Thread Types: **Metric 60° Cone x UNF 74° Cone**



PART NUMBER	F1 (Thread)	F2 (Thread)	C	D1	D2	L	S	S1
#	METRIC	UNF	mm	mm	mm	mm	mm	mm
DAMM1251-1004	M10X1	7/16"-20	8.00	4.00	4.37	22.00	14	17
DAMM1251-1205	M12X1.5	1/2"-20	10.00	4.00	5.94	24.50	17	17
DAMM1251-1406	M14X1.5	9/16"-18	11.00	6.00	7.54	25.50	19	19
DAMM1251-1608	M16X1.5	3/4"-16	12.00	8.00	9.93	30.50	22	24
DAMM1251-1808	M18X1.5	3/4"-16	12.00	10.00	9.93	30.50	24	24
DAMM1251-1810	M18X1.5	7/8"-14	12.00	10.00	12.29	31.00	24	27
DAMM1251-2210	M22X1.5	7/8"-14	14.00	14.10	12.29	35.00	27	27
DAMM1251-2712	M27X1.5	1-1/16"-12	16.00	15.00	15.47	39.50	32	32
DAMM1251-3016	M30X1.5	1-5/16"-12	18.00	21.50	21.44	41.50	36	41
DAMM1251-4520	M45X1.5	1-5/8"-12	20.00	30.00	27.38	49.00	55	50
DAMM1251-5224	M52X1.5	1-7/8"-12	20.00	38.00	33.32	49.50	60	55



DAMM107M

Straight Connector Metric Male 60° - BSPT Male 60°

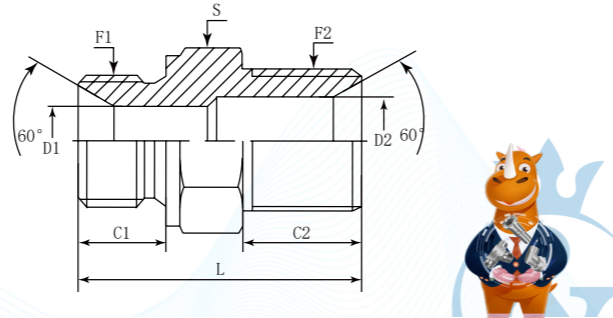
D	A	M	M	1	07	M
Company	Product Range	Thread Types	Connection Type	Adaptor Structure	Thread Types	Connection Type
DME	Adaptor	Metric	Male	Straight	BSPT	Male

German Technology Equipment

SHIELD FLEX

New-Standard

- DME&JDE Code: **DAMM107M**
- Product Type: **Hydraulic adaptor**
- Standard: **Metric**
- Structure: **Straight**
- Connection Type: **Male x Male**
- Thread Types: **Metric 60° x BSPT 60°**



PART NUMBER	F1 (Thread)	F2 (Thread)	C1	C2	D1	D2	L	S
#	Metric	BSPT	mm	mm	mm	mm	mm	mm
DAMM107M-1002	M10X1	1/8"-28	8.00	10.00	4.00	4.00	26.00	14.00
DAMM107M-1404	M14X1.5	1/4"-19	10.00	14.00	6.00	6.00	31.00	14.00
DAMM107M-1604	M16X1.5	1/4"-19	11.00	14.00	7.00	7.00	32.00	17.00
DAMM107M-1804	M18X1.5	1/4"-19	11.00	14.00	10.00	7.00	33.00	19.00
DAMM107M-1806	M18X1.5	3/8"-19	11.00	15.00	10.00	10.00	34.00	19.00
DAMM107M-1808	M18X1.5	1/2"-14	12.00	19.00	10.00	13.00	41.50	24.00
DAMM107M-2204	M22X1.5	1/4"-19	14.00	14.00	14.10	7.00	36.00	24.00
DAMM107M-2206	M22X1.5	3/8"-19	14.00	15.00	14.10	10.00	41.00	27.00
DAMM107M-2208	M22X1.5	1/2"-14	18.00	19.00	14.10	13.00	41.00	24.00
DAMM107M-2608	M26X1.5	1/2"-14	16.00	19.00	15.00	13.00	40.00	27.00
DAMM107M-2612	M26X1.5	3/4"-14	12.00	20.00	15.00	15.00	41.00	27.00
DAMM107M-3012	M30X1.5	3/4"-14	14.00	20.00	18.00	18.00	43.00	32.00

DAMM107M-LH

Straight Connector Metric Male 60° - BSPT Male 60° Large Hexagon

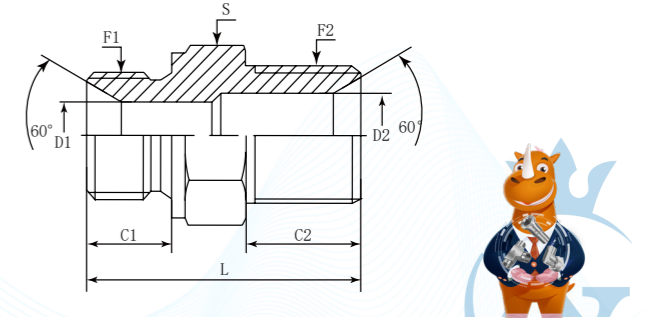
D	A	M	M	1	07	M	H
Company	Product Range	Thread Types	Connection Type	Adaptor Structure	Thread Types	Connection Type	Nut Type
DME	Adaptor	Metric	Male	Straight	BSPT	Straight	Large Hexagon

German Technology Equipment

SHIELD FLEX

New-Standard

- DME&JDE Code: **DAMM107M-LH**
- Product Type: **Hydraulic adaptor**
- Standard: **Metric**
- Structure: **Straight**
- Connection Type: **Male x Male**
- Thread Types: **Metric 60° x BSPT 60° + Large Hexagon**
- Other Features: **Hexagon**



PART NUMBER	F1 (Thread)	F2 (Thread)	C1	C2	D1	D2	L	S
#	Metric	BSPT	mm	mm	mm	mm	mm	mm
DAMM107M-LH-1404	M14X1.5	1/4"-19	12.00	14.00	6.00	6.00	32.00	17.00
DAMM107M-LH-1606	M16X1.5	3/8"-19	12.00	15.00	8.00	8.00	37.00	22.00
DAMM107M-LH-2008	M20X1.5	1/2"-14	14.00	19.00	12.00	12.00	23.50	27.00
DAMM107M-LH-2208	M22X1.5	1/2"-14	14.00	19.00	14.10	13.00	45.00	27.00
DAMM107M-LH-2412	M24X1.5	3/4"-14	14.00	20.00	15.00	16.70	45.00	30.00
DAMM107M-LH-2616	M26X1.5	1"-11	16.00	24.00	15.00	22.20	50.00	32.00
DAMM107M-LH-3016	M30X2	1"-11	18.00	24.00	19.50	22.20	53.00	36.00
DAMM107M-LH-3316	M33X2	1"-11	18.00	24.00	21.50	21.50	54.00	41.00
DAMM107M-LH-3616	M36X2	1"-11	18.00	24.00	25.00	22.40	55.00	46.00

DAJMM152M

Metric Male 74° Cone - Metric Male Bonded Seal Type

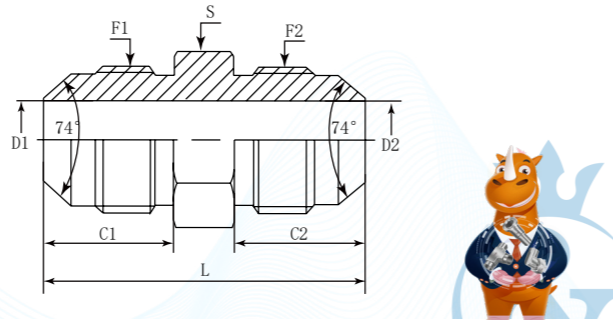
D	A	JM	M	1	52	M
Company	Product Range	Thread Types	Connection Type	Adaptor Structure	Thread Types	Connection Type
DME	Adaptor	Metric 74°	Male	Straight	Metric	Male

German Technology Equipment

SHIELD FLEX

New-Standard

- DME&JDE Code: **DAJMM152M**
- Product Type: **Hydraulic adaptor**
- Standard: **Metric**
- Structure: **Straight**
- Connection Type: **Male x Male**
- Thread Types: **Metric 74° Cone x Metric Bonded Seal Type**



PART NUMBER	F1 (Thread)	F2 (Thread)	C1	C2	D1	D2	L	S
#	Metric	Metric	mm	mm	mm	mm	mm	mm
DAJMM152M-1414	M14X1.5	M14X1.5	17.00	17.00	5.00	5.00	40.00	17.00
DAJMM152M-1616	M16X1.5	M16X1.5	18.00	18.00	7.00	7.00	42.00	17.00
DAJMM152M-1818	M18X1.5	M18X1.5	18.00	18.00	8.50	8.50	42.00	19.00
DAJMM152M-2222	M22X1.5	M22X1.5	20.00	20.00	12.00	12.00	48.00	24.00

DAJMM128M

Metric Male 74° Cone -NPTF Male

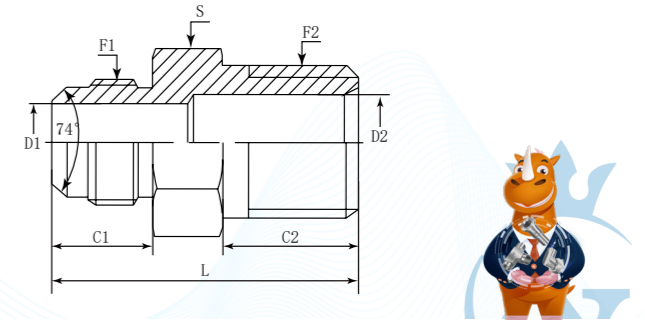
D	A	JM	M	1	28	M
Company	Product Range	Thread Types	Connection Type	Adaptor Structure	Thread Types	Connection Type
DME	Adaptor	Metric 74°	Male	Straight	NPTF	Male

German Technology Equipment

SHIELD FLEX

New-Standard

- DME&JDE Code: **DAJMM128M**
- Product Type: **Hydraulic adaptor**
- Standard: **Metric**
- Structure: **Straight**
- Connection Type: **Male x Male**
- Thread Types: **Metric 74° Cone x NPTF**



PART NUMBER	F1 (Thread)	F2 (Thread)	C1	C2	D1	D2	L	S
#	Metric	NPTF	mm	mm	mm	mm	mm	mm
DAJMM128M-1606	M16X1.5	3/8"-18	18.00	14.22	7.00	10.31	40.00	19.00
DAJMM128M-1806	M18X1.5	3/8"-18	18.00	14.22	8.50	10.31	40.00	19.00
DAJMM128M-2206	M22X1.5	3/8"-18	20.00	14.22	12.00	10.31	42.20	24.00
DAJMM128M-3012	M30X1.5	3/4"-14	26.00	19.05	18.50	18.26	56.00	32.00



DAMM1000

Male Plug Metric Male 60°

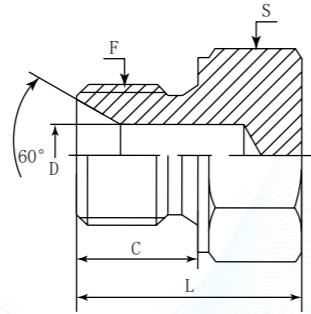
D	A	M	M	1	000
Company	Product Range	Thread Types	Connection Type	Adaptor Structure	Other Features
DME	Adaptor	Metric	Male	Straight	Nut/Plug

German Technology Equipment

SHIELD FLEX

New-Standard

- DME&JDE Code: **DAMM1000**
- Product Type: **Hydraulic adaptor**
- Standard: **Metric**
- Connection Type: **Male x Male**
- Thread Types: **Metric 60°**
- Other Features: **Nut/Plug**



PART NUMBER	F (Thread)	C	D	L	S
#	Metric	mm	mm	mm	mm
DAMM1000-0800	M8X1	8.00	2.00	14.00	13.00
DAMM1000-1000	M10X1	8.00	4.00	16.00	14.00
DAMM1000-1200	M12X1.5	10.00	4.00	18.00	17.00
DAMM1000-1400	M14X1.5	12.00	6.00	22.00	19.00
DAMM1000-1600	M16X1.5	12.00	8.00	22.00	22.00
DAMM1000-1800	M18X1.5	12.00	10.00	20.00	24.00
DAMM1000-2000	M20X1.5	14.00	12.00	24.00	27.00
DAMM1000-2200	M22X1.5	14.00	14.10	24.00	27.00
DAMM1000-2400	M24X1.5	14.00	15.00	25.00	30.00
DAMM1000-2600	M26X1.5	16.00	15.00	28.00	32.00
DAMM1000-3000	M30X2	18.00	19.00	30.00	36.00
DAMM1000-3600	M36X2	18.00	25.00	32.00	46.00
DAMM1000-4200	M42X2	20.00	28.60	34.00	50.00



DAMM152F

Straight Connector Metric Male 60°Cone - Metric Fixed Female

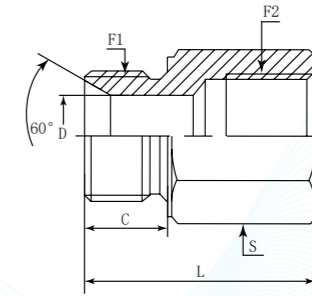
D	A	M	M	1	52	F
Company	Product Range	Thread Types	Connection Type	Adaptor Structure	Thread Types	Connection Type
DME	Adaptor	Metric	Male	Straight	Metric	Fixed Female

German Technology Equipment

SHIELD FLEX

New-Standard

- DME&JDE Code: **DAMM152F**
- Product Type: **Hydraulic adaptor**
- Standard: **Metric**
- Structure: **Straight**
- Connection Type: **Male x Fixed Female**
- Thread Types: **Metric 60° Cone x Metric**



PART NUMBER	F1 (Thread)	F2 (Thread)	C	D	L	S
#	Metric	Metric	mm	mm	mm	mm
DAMM152F-0806	M8X1	M6X1	8.00	3.00	25.00	13.00
DAMM152F-1008	M10X1	M8X1	8.00	3.50	8.00	14.00
DAMM152F-1410	M14X1.5	M10X1	12.00	6.00	30.00	19.00
DAMM152F-1612	M16X1.5	M12X1.5	12.00	8.00	31.50	22.00
DAMM152F-1812	M18X1.5	M12X1.5	12.00	10.00	22.00	24.00
DAMM152F-1814	M18X1.5	M14X1.5	12.00	10.00	32.50	24.00
DAMM152F-1816	M18X1.5	M16X1.5	12.00	10.00	33.00	24.00
DAMM152F-1827	M18X1.5	M27X2	12.00	10.00	40.00	32.00
DAMM152F-2014	M20X1.5	M14X1.5	14.00	12.00	35.00	27.00
DAMM152F-2016	M20X1.5	M16X1.5	14.00	12.00	36.50	27.00
DAMM152F-2214	M22X1.5	M14X1.5	14.00	14.10	35.00	27.00
DAMM152F-2218	M22X1.5	M18X1.5	14.00	14.10	36.00	27.00
DAMM152F-2222	M22X1.5	M22X1.5	14.00	14.10	39.00	27.00
DAMM152F-2418	M24X1.5	M18X1.5	14.00	15.00	36.00	30.00
DAMM152F-2420	M24X1.5	M20X1.5	14.00	15.00	41.00	30.00
DAMM152F-2620	M26X1.5	M20X1.5	16.00	15.00	43.00	32.00
DAMM152F-2622	M26X1.5	M22X1.5	16.00	15.00	44.00	32.00
DAMM152F-2718	M27X2	M18X1.5	16.00	15.00	40.00	32.00
DAMM152F-3022	M30X2	M22X1.5	18.00	19.50	45.00	36.00
DAMM152F-3026	M30X2	M26X1.5	18.00	19.50	48.00	36.00
DAMM152F-3314	M33X2	M14X1.5	18.00	21.50	35.00	41.00
DAMM152F-3630	M36X2	M30X2	18.00	25.00	49.00	46.00
DAMM152F-4214	M42X2	M14X1.5	20.00	32.00	37.00	50.00
DAMM152F-4842	M48X2	M42X2	20.00	32.00	56.00	55.00



DAMM128F

Straight Connector Metric Male 60° Cone - NPTF Fixed Female

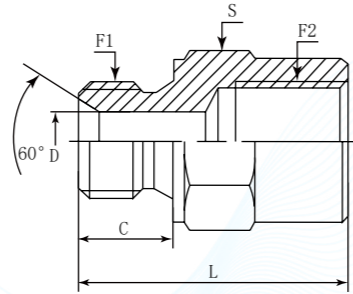
D	A	M	M	1	28	F
Company	Product Range	Thread Types	Connection Type	Adaptor Structure	Thread Types	Connection Type
DME	Adaptor	Metric	Male	Straight	NPTF	Female

German Technology Equipment

SHIELD FLEX

New-Standard

- DME&JDE Code: **DAMM128F**
- Product Type: **Hydraulic adaptor**
- Standard: **Metric**
- Structure: **Straight**
- Connection Type: **Male x Fixed Female**
- Thread Types: **Metric 60° Cone x NPTF**



PART NUMBER	F1 (Thread)	F2 (Thread)	C	D	L	S
#	Metric	NPTF	mm	mm	mm	mm
DAMM128F-0402	M4X0.7	1/8"-27	8.00	1.00	26.50	14.00
DAMM128F-0602	M6X1	1/8"-27	8.00	2.00	26.50	14.00
DAMM128F-0802	M8X1	1/8"-27	8.50	3.00	26.50	14.00
DAMM128F-1002	M10X1	1/8"-27	8.00	4.00	22.00	15.88
DAMM128F-1004	M10X1	1/4"-18	8.00	4.00	28.00	19.00
DAMM128F-1008	M10X1	1/2"-14	8.00	4.00	37.00	28.58
DAMM128F-1202	M12X1.5	1/8"-27	10.00	4.00	25.50	17.00
DAMM128F-1204	M12X1.5	1/4"-18	10.00	4.00	30.00	19.00
DAMM128F-1206	M12X1.5	3/8"-18	10.00	6.00	33.00	22.00
DAMM128F-1404	M14X1.5	1/4"-18	12.00	6.00	32.00	19.00
DAMM128F-1406	M14X1.5	3/8"-18	12.00	6.00	35.00	22.00
DAMM128F-1602	M16X1.5	1/8"-27	12.00	8.00	26.50	22.00
DAMM128F-1604	M16X1.5	1/4"-18	12.00	8.00	34.50	22.00
DAMM128F-1606	M16X1.5	3/8"-18	12.00	8.00	31.00	22.00

Certificate: ISO 9001, ISO 14001, MSHA, DAkkS, DEKRA, DIN, SE, MA, WSF

DAMM128F-1608	M16X1.5	1/2"-14	12.00	8.00	37.00	28.58
DAMM128F-1804	M18X1.5	1/4"-18	12.00	10.00	35.00	24.00
DAMM128F-1806	M18X1.5	3/8"-18	12.00	10.00	32.00	24.00
DAMM128F-1808	M18X1.5	1/2"-14	12.00	10.00	37.00	28.58
DAMM128F-2004	M20X1.5	1/4"-18	14.00	12.00	35.00	26.97
DAMM128F-2006	M20X1.5	3/8"-18	14.00	12.00	34.00	26.97
DAMM128F-2008	M20X1.5	1/2"-14	14.00	12.00	39.00	28.58
DAMM128F-2204	M22X1.5	1/4"-18	14.00	14.10	36.00	26.97
DAMM128F-2206	M22X1.5	3/8"-18	14.00	14.10	36.00	26.97
DAMM128F-2208	M22X1.5	1/2"-14	14.00	14.10	39.00	28.58
DAMM128F-2212	M22X1.5	3/4"-14	14.00	14.10	42.50	34.93
DAMM128F-2408	M24X1.5	1/2"-14	14.00	15.00	39.00	30.00
DAMM128F-2412	M24X1.5	3/4"-14	14.00	15.00	39.00	34.93
DAMM128F-2604	M26X1.5	1/4"-18	16.00	15.00	38.00	32.00
DAMM128F-2608	M26X1.5	1/2"-14	16.00	15.00	41.00	32.00
DAMM128F-2612	M26X1.5	3/4"-14	16.00	15.00	41.60	34.93
DAMM128F-2712	M27X2	3/4"-14	16.00	15.00	41.60	34.93
DAMM128F-3008	M30X1.5	1/2"-14	18.00	21.50	46.00	36.00
DAMM128F-3012	M30X2	3/4"-14	18.00	21.50	48.50	36.00
DAMM128F-3316	M33X2	1"-11-1/2	16.00	23.00	47.00	41.28
DAMM128F-4024	M40X2	1-1/2"-11-1/2	20.00	26.60	58.50	60.00
DAMM128F-4216	M42X2	1"-11-1/2	20.00	28.60	51.00	50.00
DAMM128F-4220	M42X2	1-1/4"-11-1/2	20.00	28.60	57.50	50.80
DAMM128F-4224	M42X2	1-1/2"-11-1/2	20.00	28.60	59.00	60.00
DAMM128F-4824	M48X2	1-1/2"-11-1/2	20.00	32.00	58.50	60.00

Certificate: ISO 9001, ISO 14001, MSHA, DAkkS, DEKRA, DIN, SE, MA, WSF



DAMM105F

Straight Connector Metric Male 60° Cone - BSPP Fixed Female

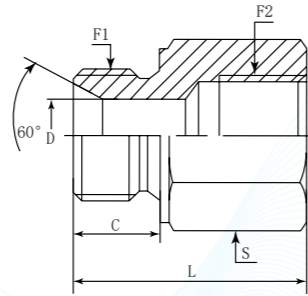
German Technology Equipment

SHIELD FLEX

New-Standard

- D** Company: **DME**
- A** Product Range: Adaptor
- M** Thread Types: Metric
- M** Connection Type: Male
- 1** Adaptor Structure: Straight
- 05** Thread Types: BSPP
- F** Connection Type: Female

- DME&JDE Code:** DAMM105F
- Product Type:** Hydraulic adaptor
- Standard:** Metric
- Structure:** Straight
- Connection Type:** Male x Fixed Female
- Thread Types:** Metric 60° Cone x BSPP



PART NUMBER	F1 (Thread)	F2 (Thread)	C	D	L	S
#	Metric	BSPP	mm	mm	mm	mm
DAMM105F-1204	M12X1.5	1/4"-19	10.00	4.00	30.00	19.00
DAMM105F-1404	M14X1.5	1/4"-19	12.00	6.00	31.00	19.00
DAMM105F-1604	M16X1.5	1/4"-19	12.00	8.00	31.00	22.00
DAMM105F-1606	M16X1.5	3/8"-19	12.00	8.00	32.50	22.00
DAMM105F-1608	M16X1.5	1/2"-14	12.00	8.00	38.00	27.00
DAMM105F-1804	M18X1.5	1/4"-19	12.00	10.00	31.00	24.00
DAMM105F-1806	M18X1.5	3/8"-19	12.00	10.00	32.00	24.00
DAMM105F-1808	M18X1.5	1/2"-14	12.00	10.00	38.00	27.00
DAMM105F-2204	M22X1.5	1/4"-19	14.00	14.10	26.00	27.00
DAMM105F-2206	M22X1.5	3/8"-19	14.00	14.10	35.00	27.00
DAMM105F-2208	M22X1.5	1/2"-14	14.00	14.10	38.00	27.00

DAMF1305

Straight Connector Metric Female - SAE Male O Ring

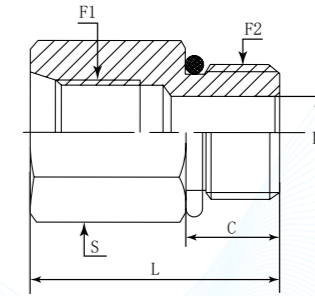
German Technology Equipment

SHIELD FLEX

New-Standard

- D** Company: **DME**
- A** Product Range: Adaptor
- M** Thread Types: Metric
- F** Connection Type: Female
- 1** Adaptor Structure: Straight
- 30** Thread Types: SAE UNF
- 5** Connection Type: Male O Ring

- DME&JDE Code:** DAMF1305
- Product Type:** Hydraulic adaptor
- Standard:** Metric
- Structure:** Straight
- Connection Type:** Female x Male
- Thread Types:** Metric x SAE UNF + O Ring
- Sealing Method:** O Rings



PART NUMBER	F1 (Thread)	F2 (Thread)	C	D	L	S
#	Metric	UNF	mm	mm	mm	mm
DAMF1305-1206	M12X1.5	9/16"-18	12.00	7.49	30.00	17.00
DAMF1305-1404	M14X1.5	7/16"-20	9.10	4.40	33.00	22.23
DAMF1305-1405	M14X1.5	1/2"-20	9.14	5.94	31.50	20.64
DAMF1305-1806	M18X1.5	9/16"-18	9.93	7.54	36.83	25.40
DAMF1305-2208	M22X1.5	3/4"-16	11.13	9.93	38.10	28.58
DAMF1305-3312	M33X2	11/16"-12	15.09	15.47	46.00	41.28
DAMF1305-4820	M48X2	15/8"-12	15.09	27.38	47.75	57.15



DAMF152F

Straight Connector Metric Fixed Female

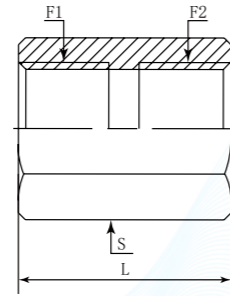
D	A	M	F	1	52	F
Company	Product Range	Thread Types	Connection Type	Adaptor Structure	Thread Types	Connection Type
DME	Adaptor	Metric	Female	Straight	Metric	Female

German Technology Equipment

SHIELD FLEX

New-Standard

- DME&JDE Code: **DAMF152F**
- Product Type: **Hydraulic adaptor**
- Standard: **Metric**
- Structure: **Straight**
- Connection Type: **Fixed Female**
- Thread Types: **Metric x Metric**



PART NUMBER	F1 (Thread)	F2 (Thread)	L	S
#	Metric	Metric	mm	mm
DAMF152F-0808	M8X1	M8X1	20.00	14.00
DAMF152F-1010	M10X1	M10X1	20.00	17.00
DAMF152F-1210	M12X1.5	M10X1	30.00	19.00
DAMF152F-1212	M12X1.5	M12X1.5	30.00	19.00
DAMF152F-1412	M14X1.5	M12X1.5	30.00	19.00
DAMF152F-1414	M14X1.5	M14X1.5	30.00	19.00
DAMF152F-1612	M16X1.5	M12X1.5	30.00	24.00
DAMF152F-1614	M16X1.5	M14X1.5	31.00	24.00
DAMF152F-1616	M16X1.5	M16X1.5	30.00	22.00
DAMF152F-1816	M18X1.5	M16X1.5	33.00	24.00
DAMF152F-1818	M18X1.5	M18X1.5	30.00	24.00
DAMF152F-2018	M20X1.5	M18X1.5	36.00	27.00
DAMF152F-2020	M20X1.5	M20X1.5	32.00	27.00
DAMF152F-2216	M22X1.5	M16X1.5	35.00	27.00
DAMF152F-2220	M22X1.5	M20X1.5	38.00	27.00
DAMF152F-2222	M22X1.5	M22X1.5	31.00	27.00
DAMF152F-2422	M24X1.5	M22X1.5	38.00	32.00
DAMF152F-2424	M24X1.5	M24X1.5	38.00	32.00
DAMF152F-2626	M26X1.5	M26X1.5	40.00	36.00

Web: <https://www.dmejde.com>
E-mail: info@dmejde.com



DAMM952M

90° Elbow Metric Male 60° Cone - Metric Male 60° Cone

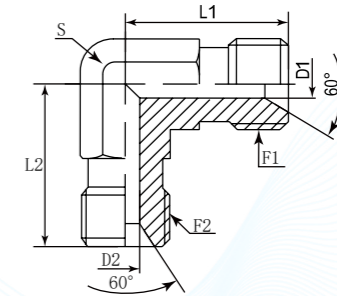
D	A	M	M	9	52	M
Company	Product Range	Thread Types	Connection Type	Adaptor Structure	Thread Types	Connection Type
DME	Adaptor	Metric	Male	90° Elbow	Metric	Male

German Technology Equipment

SHIELD FLEX

New-Standard

- DME&JDE Code: **DAMM952M**
- Product Type: **Hydraulic adaptor**
- Standard: **Metric**
- Structure: **90° Elbow**
- Connection Type: **Male x Male**
- Thread Types: **Metric 60° Cone x Metric 60° Cone**



PART NUMBER	F1/F2 (Thread)	D1/D2	L1/L2	S
#	Metric	mm	mm	mm
DAMM952M-1212	M12X1.5	4.00	20.00	11.00
DAMM952M-1616	M16X1.5	8.00	29.00	19.00
DAMM952M-1818	M18X1.5	10.00	29.00	19.00
DAMM952M-2020	M20X1.5	12.00	34.00	22.00
DAMM952M-2222	M22X1.5	14.10	35.00	22.00
DAMM952M-2626	M26X1.5	15.00	42.00	27.00
DAMM952M-3030	M30X1.5	21.50	46.50	33.00

Web: <https://www.dmejde.com>
E-mail: info@dmejde.com



DAJCMM906Q

90° Adjustable Elbow Metric Male 74° Cone - BSPP Male + O Ring + Retaining Ring

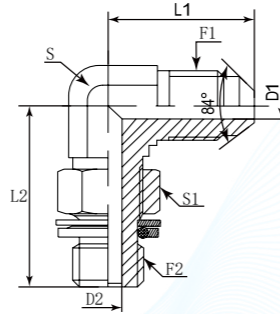
D	A	JSM	M	9	06	0
Company	Product Range	Thread Types	Connection Type	Adaptor Structure	Thread Types	Connection Type
DME	Adaptor	JIC Metric	Male	90° Elbow	BSPP	Male + O Ring + Retaining Ring

German Technology Equipment

SHIELD FLEX

New-Standard

- DME&JDE Code: **DAJCMM906Q**
- Product Type: **Hydraulic adaptor**
- Standard: **Metric**
- Structure: **90° Elbow**
- Connection Type: **Male x Male**
- Thread Types: **Metric 74° Cone x BSPP**
- Sealing Method: **O Ring + Retaining Ring**



PART NUMBER	F1 (Thread)	F2 (Thread)	D1	D2	L1	L2	S	S1
#	Metric	BSPP	mm	mm	mm	mm	mm	mm
DAJCMM906Q-1404	M14X1.5	1/4"-19	5.50	7.50	27.00	31.80	14.00	17.00
DAJCMM906Q-1406	M14X1.5	3/8"-19	5.00	9.90	30.00	36.50	19.00	22.00
DAJCMM906Q-1408	M14X1.5	1/2"-14	5.00	12.30	34.00	43.00	22.00	27.00
DAJCMM906Q-1606	M16X1.5	3/8"-19	7.00	9.90	31.50	36.50	19.00	22.00
DAJCMM906Q-1608	M16X1.5	1/2"-14	7.00	12.30	35.00	43.00	22.00	27.00
DAJCMM906Q-2208	M22X1.5	1/2"-14	12.00	12.30	38.00	43.00	22.00	27.00
DAJCMM906Q-2408	M24X1.5	1/2"-14	15.00	12.30	43.00	46.00	27.00	27.00
DAJCMM906Q-2412	M24X1.5	3/4"-14	15.00	15.50	43.00	49.00	27.00	36.00
DAJCMM906Q-3312	M33X1.5	3/4"-14	20.00	15.50	47.00	52.00	33.00	36.00
DAJCMM906Q-3316	M33X1.5	1"-11	20.00	21.50	47.00	52.00	33.00	36.00

DAMMT52M

Branch Tee Connector Metric 60° Male - Metric 60° Male

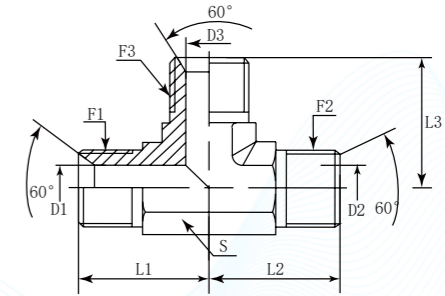
D	A	M	M	T	52	M
Company	Product Range	Thread Types	Connection Type	Adaptor Structure	Thread Types	Connection Type
DME	Adaptor	Metric	Male	Branch Tee	Metric	Male

German Technology Equipment

SHIELD FLEX

New-Standard

- DME&JDE Code: **DAMMT52M**
- Product Type: **Hydraulic adaptor**
- Standard: **Metric**
- Structure: **Branch Tee**
- Connection Type: **Male x Male x Male**
- Thread Types: **Metric 60° x Metric 60° x Metric 60°**



PART NUMBER	F1 (Thread)	F2 (Thread)	F3 (Thread)	D1	D2	D3	L1	L2	L3	S
#	METRIC	METRIC	METRIC	mm	mm	mm	mm	mm	mm	mm
DAMMT52M-161616	M16X1.5	M16X1.5	M16X1.5	8.00	8.00	8.00	29.00	29.00	29.00	19
DAMMT52M-181818	M18X1.5	M18X1.5	M18X1.5	10.00	10.00	10.00	29.00	29.00	29.00	19
DAMMT52M-202020	M20X1.5	M20X1.5	M20X1.5	12.00	12.00	12.00	34.00	34.00	34.00	22
DAMMT52M-222222	M22X1.5	M22X1.5	M22X1.5	14.10	14.10	14.10	35.00	35.00	35.00	22
DAMMT52M-262626	M26X1.5	M26X1.5	M26X1.5	15.00	15.00	15.00	42.00	42.00	42.00	27
DAMMT52M-303030	M30X1.5	M30X1.5	M30X1.5	21.50	21.50	21.50	46.50	46.50	46.50	33



DAJCMM152JCM

Straight Connector Metric Male 74° Cone

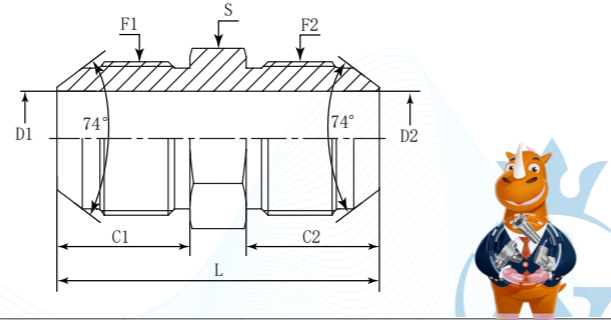
German Technology Equipment

SHIELD FLEX

New-Standard

D Company: **DME**
A Product Range: Adaptor
JSM Thread Types: Metric 74° Cone
M Connection Type: Male
1 Adaptor Structure: Straight
52 Thread Types: Metric
JCM Thread Types: Metric 74° Cone

- DME&JDE Code: **DAJCMM152JCM**
- Product Type: **Hydraulic adaptor**
- Standard: **Metric**
- Structure: **Straight**
- Connection Type: **Male x Male**
- Thread Types: **Metric 74° Cone x Metric 74° Cone**
- Sealing Method: **ED Rings**



PART NUMBER	F1 (Thread)	F2 (Thread)	C1	C2	D1	D2	L	S
#	METRIC	METRIC	mm	mm	mm	mm	mm	mm
DAJCMM152JCM-1010	M10X1	M10X1	12.00	12.00	3.20	3.20	30.00	12
DAJCMM152JCM-1212	M12X1.5	M12X1.5	15.70	15.70	5.00	5.00	37.50	14
DAJCMM152JCM-1414	M14X1.5	M14X1.5	17.00	17.00	5.00	5.00	40.00	17
DAJCMM152JCM-1616	M16X1.5	M16X1.5	18.00	18.00	7.00	7.00	42.00	17
DAJCMM152JCM-1818	M18X1.5	M18X1.5	18.00	18.00	8.50	8.50	42.00	19
DAJCMM152JCM-2222	M22X1.5	M22X1.5	19.50	19.50	12.00	12.00	47.00	24
DAJCMM152JCM-2424	M24X1.5	M24X1.5	20.00	20.00	15.00	15.00	50.00	27
DAJCMM152JCM-2727	M27X1.5	M27X1.5	20.00	20.00	16.70	16.70	50.00	30
DAJCMM152JCM-3030	M30X2	M30X2	23.00	23.00	18.50	18.50	57.00	32
DAJCMM152JCM-3333	M33X2	M33X2	26.00	26.00	20.00	20.00	63.00	36
DAJCMM152JCM-3636	M36X2	M36X2	26.00	26.00	26.00	26.00	63.00	38
DAJCMM152JCM-3939	M39X2	M39X2	26.00	26.00	27.00	27.00	65.00	41
DAJCMM152JCM-4242	M42X2	M42X2	28.50	28.50	28.00	28.00	70.00	46
DAJCMM152JCM-4545	M45X2	M45X2	28.50	28.50	33.00	33.00	70.00	46

DAJCMM105M

Straight Connector Metric Male 74° Cone – BSPP Male 60°

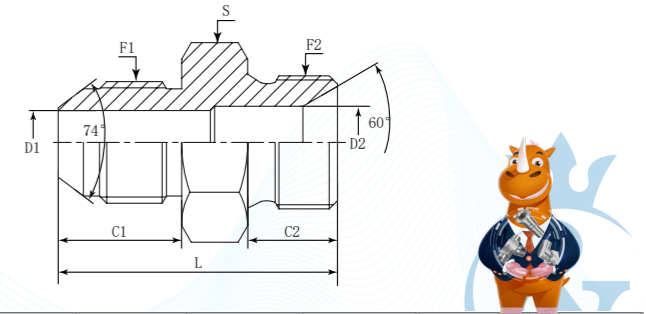
German Technology Equipment

SHIELD FLEX

New-Standard

D Company: **DME**
A Product Range: Adaptor
JCM Thread Types: Metric 74° Cone
M Connection Type: Male
1 Adaptor Structure: Straight
05 Thread Types: BSPP
M Connection Type: Male

- DME&JDE Code: **DAJCMM105M**
- Product Type: **Hydraulic adaptor**
- Standard: **Metric**
- Structure: **Straight**
- Connection Type: **Male x Male**
- Thread Types: **Metric 74° Cone x BSPP 60° Cone**



PART NUMBER	F1 (Thread)	F2 (Thread)	C1	C2	D1	D2	L	S
#	METRIC	BSPP	mm	mm	mm	mm	mm	mm
DAJCMM105M-1202	M12X1.5	1/8"-28	15.70	10.00	5.00	3.50	32.00	14
DAJCMM105M-1404	M14X1.5	1/4"-19	17.00	12.00	5.00	4.70	35.00	19
DAJCMM105M-1606	M16X1.5	3/8"-19	18.00	13.50	7.00	7.90	39.50	22
DAJCMM105M-1806	M18X1.5	3/8"-19	18.00	13.50	8.50	7.90	39.50	22
DAJCMM105M-2208	M22X1.5	1/2"-14	19.50	16.00	12.00	11.10	45.50	27
DAJCMM105M-2410	M24X1.5	5/8"-14	20.00	17.50	15.00	14.00	47.50	30
DAJCMM105M-2712	M27X1.5	3/4"-14	20.00	18.50	16.70	16.70	49.50	32
DAJCMM105M-3012	M30X2	3/4"-14	23.00	18.50	18.50	16.70	52.50	32
DAJCMM105M-3316	M33X2	1"-11	26.00	20.50	20.00	22.20	59.50	41
DAJCMM105M-3916	M39X2	1"-11	26.00	20.50	27.00	22.20	59.50	41
DAJCMM105M-4520	M45X2	1-1/4"-11	28.50	20.50	33.00	28.60	64.00	50



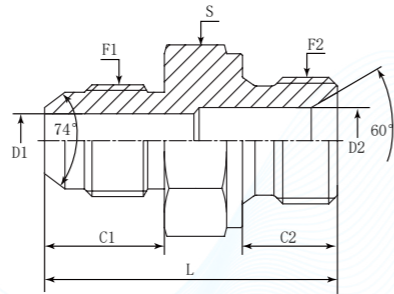
DAJCMM152M

Straight Connector Metric Male 74° Cone – Metric Male 60° Cone

D	A	JCM	M	1	52	M
Company	Product Range	Thread Types	Connection Type	Adaptor Structure	Thread Types	Connection Type
DME	Adaptor	Metric 74° Cone	Male	Straight	Metric	Male



- DME&JDE Code:** DAJCMM152M
- Product Type:** Hydraulic adaptor
- Standard:** Metric
- Structure:** Straight
- Connection Type:** Male x Male
- Thread Types:** Metric 74° Cone x Metric 60° Cone



PART NUMBER	F1 (Thread)	F2 (Thread)	C1	C2	D1	D2	L	S
#	METRIC	METRIC	mm	mm	mm	mm	mm	mm
DAJCMM152M-1210	M12X1.5	M10X1	15.70	8.00	5.00	4.00	34.50	17
DAJCMM152M-1212	M12X1.5	M12X1.5	15.70	10.00	5.00	4.00	35.00	17
DAJCMM152M-1412	M14X1.5	M12X1.5	17.00	10.00	5.00	4.00	37.00	22
DAJCMM152M-1414	M14X1.5	M14X1.5	17.00	12.00	5.00	6.00	38.00	19
DAJCMM152M-1612	M16X1.5	M12X1.5	18.00	10.00	7.00	4.00	38.00	22
DAJCMM152M-1616	M16X1.5	M16X1.5	18.00	12.00	7.00	8.00	40.00	22
DAJCMM152M-1816	M18X1.5	M16X1.5	18.00	12.00	8.50	8.00	40.00	22
DAJCMM152M-1818	M18X1.5	M18X1.5	18.00	12.00	8.50	10.00	40.00	24
DAJCMM152M-2216	M22X1.5	M16X1.5	19.50	12.00	12.00	8.00	41.50	22
DAJCMM152M-2218	M22X1.5	M18X1.5	19.50	12.00	12.00	10.00	41.50	24
DAJCMM152M-2222	M22X1.5	M22X1.5	19.50	14.00	12.00	14.10	43.00	27
DAJCMM152M-2422	M24X1.5	M22X1.5	20.00	14.00	15.00	14.10	43.50	27
DAJCMM152M-2424	M24X1.5	M24X1.5	20.00	14.00	15.00	15.50	45.00	30
DAJCMM152M-2727	M27X1.5	M27X1.5	20.00	16.00	16.70	15.00	47.00	32
DAJCMM152M-3030	M30X1.5	M30X1.5	23.00	18.00	18.50	21.50	53.00	36
DAJCMM152M-3333	M33X2	M33X2	26.00	19.00	20.00	22.20	57.00	41

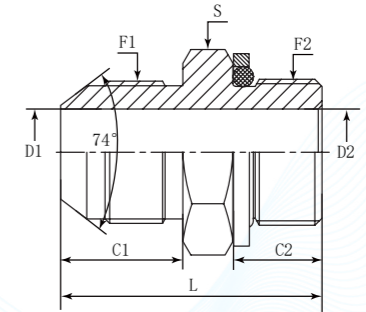
DAJCMM106Q

Straight Connector Metric Male 74° Cone – BSPP Male + O Ring

D	A	JCM	M	1	06	0
Company	Product Range	Thread Types	Connection Type	Adaptor Structure	Thread Types	Connection & Sealing Method
DME	Adaptor	Metric 74° Cone	Male	Straight	BSPP	Male + Retaining Ring + O Ring



- DME&JDE Code:** DAJCMM106Q
- Product Type:** Hydraulic adaptor
- Standard:** Metric
- Structure:** Straight
- Connection Type:** Male x Male
- Thread Types:** Metric 74° Cone x BSPP
- Sealing Method:** O Ring + Retaining Ring



PART NUMBER	F1 (Thread)	F2 (Thread)	C1	C2	D1	D2	L	S
#	METRIC	BSPP	mm	mm	mm	mm	mm	mm
DAJCMM106Q-1404	M14X1.5	1/4"-19	17.00	11.00	5.00	7.50	36.00	19
DAJCMM106Q-1606	M16X1.5	3/8"-19	18.00	11.50	7.00	9.90	40.00	22
DAJCMM106Q-1806	M18X1.5	3/8"-19	18.00	11.50	8.50	9.90	40.00	22
DAJCMM106Q-1808	M18X1.5	1/2"-14	18.00	14.00	8.50	12.30	43.00	27
DAJCMM106Q-2208	M22X1.5	1/2"-14	19.50	14.00	12.00	12.30	44.50	27
DAJCMM106Q-2712	M27X1.5	3/4"-14	20.00	15.50	16.70	15.50	49.50	32
DAJCMM106Q-3012	M30X1.5	3/4"-14	23.00	15.50	18.50	15.50	52.50	32
DAJCMM106Q-3916	M39X2	1"-11	26.00	18.00	27.00	21.50	60.00	41
DAJCMM106Q-4520	M45X2	1-1/4"-11	28.50	20.00	33.00	27.50	66.50	50



DAJCMM952Q

90° Elbow Metric Male 74° Cone – Metric Male + O Ring + Retaining Ring

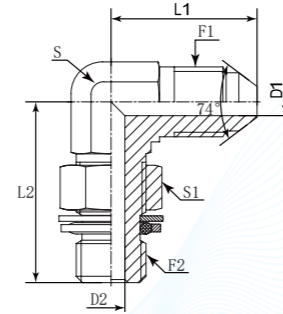
D	A	JCM	M	9	52	Q
Company	Product Range	Thread Types	Connection Type	Adaptor Structure	Thread Types	Connection & Sealing Method
DME	Adaptor	Metric 74° Cone	Male	90° Elbow	Metric	Male + O Ring + Retaining Ring

German Technology Equipment

SHIELD FLEX

New-Standard

- DME&JDE Code: **DAJCMM952Q**
- Product Type: **Hydraulic adaptor**
- Standard: **Metric**
- Structure: **90° Elbow**
- Connection Type: **Male x Male**
- Thread Types: **Metric 74° Cone x Metric**
- Sealing Method: **O Ring + Retaining Ring**



PART NUMBER	F1 (Thread)	F2 (Thread)	D1	D2	L1	L2	S	S1
#	METRIC	METRIC	mm	mm	mm	mm	mm	mm
DAJCMM952Q-1412	M14X1.5	M12X1.5	5.00	6.00	30.20	32.00	14	17
DAJCMM952Q-1614	M16X1.5	M14X1.5	7.00	6.00	32.00	35.50	16	19
DAJCMM952Q-1816	M18X1.5	M16X1.5	8.50	7.00	34.00	36.00	19	22
DAJCMM952Q-2218	M22X1.5	M18X1.5	12.00	9.00	37.50	39.50	22	24
DAJCMM952Q-2722	M27X1.5	M22X1.5	16.70	12.00	41.50	43.50	27	27
DAJCMM952Q-3027	M30X1.5	M27X2	18.50	15.00	45.80	50.00	30	32
DAJCMM952Q-3327	M33X2	M27X2	20.00	15.00	49.50	52.00	33	32
DAJCMM952Q-3633	M36X2	M33X2	26.00	20.00	51.50	54.00	36	41
DAJCMM952Q-3933	M39X2	M33X2	27.00	20.00	55.50	57.20	41	41
DAJCMM952Q-4542	M45X2	M42X2	33.00	26.00	62.50	61.00	48	50

DAJCMM107M

Straight Connector Metric Male 74° Cone – BSPT Male

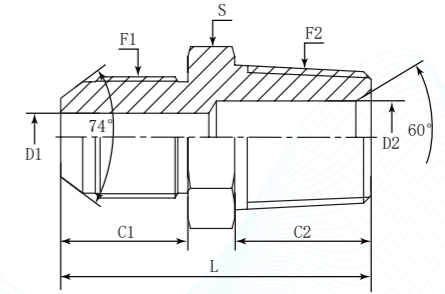
D	A	JCM	M	1	07	M
Company	Product Range	Thread Types	Connection Type	Adaptor Structure	Thread Types	Connection Type
DME	Adaptor	Metric 74° Cone	Male	Straight	BSPT	Male

German Technology Equipment

SHIELD FLEX

New-Standard

- DME&JDE Code: **DAJCMM107M**
- Product Type: **Hydraulic adaptor**
- Standard: **Metric**
- Structure: **Straight**
- Connection Type: **Male x Male**
- Thread Types: **Metric 74° Cone x BSPT 60° Cone**



PART NUMBER	F1 (Thread)	F2 (Thread)	C1	C2	D1	D2	L	S
#	METRIC	BSPP	mm	mm	mm	mm	mm	mm
DAJCMM107M-1002	M10X1	1/8"-28	12.00	10.00	3.20	3.50	28.00	12
DAJCMM107M-1404	M14X1.5	1/4"-19	17.00	14.50	5.00	6.00	37.50	17
DAJCMM107M-1406	M14X1.5	3/8"-19	17.00	15.00	5.00	9.00	38.00	17
DAJCMM107M-1604	M16X1.5	1/4"-19	18.00	14.50	7.00	6.00	38.50	17
DAJCMM107M-1606	M16X1.5	3/8"-19	18.00	15.00	7.00	9.00	39.00	17
DAJCMM107M-1804	M18X1.5	1/4"-19	18.00	14.50	8.50	6.00	38.50	19
DAJCMM107M-1806	M18X1.5	3/8"-19	18.00	15.00	8.50	9.00	39.00	19
DAJCMM107M-2208	M22X1.5	1/2"-14	19.50	20.00	12.00	12.00	47.50	24
DAJCMM107M-2708	M27X1.5	1/2"-14	20.00	20.00	16.70	12.00	50.00	30
DAJCMM107M-2712	M27X1.5	3/4"-14	20.00	20.00	16.70	16.70	50.00	30
DAJCMM107M-3012	M30X1.5	3/4"-14	23.00	20.00	18.50	16.70	54.00	32
DAJCMM107M-3312	M33X2	3/4"-14	26.00	20.00	20.00	16.70	57.00	36
DAJCMM107M-3616	M36X2	1"-11	26.00	25.50	26.00	22.20	61.50	38
DAJCMM107M-3916	M39X2	1"-11	26.00	25.50	27.00	22.20	64.50	41
DAJCMM107M-4520	M45X2	1-1/4"-11	28.50	25.50	33.00	28.60	68.00	46



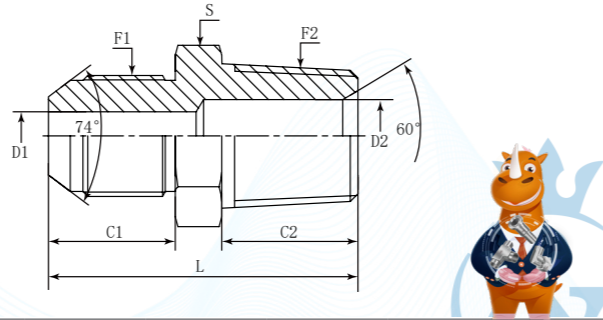
DAJCMM128M

Straight Connector Metric Male 74° Cone – NPTF Male

D	A	JCM	M	1	28	M
Company	Product Range	Thread Types	Connection Type	Adaptor Structure	Thread Types	Connection Type
DME	Adaptor	Metric 74° Cone	Male	Straight	NPTF	Male



- DME&JDE Code:** DAJCMM128M
- Product Type:** Hydraulic adaptor
- Standard:** Metric
- Structure:** Straight
- Connection Type:** Male x Male
- Thread Types:** Metric 74° Cone x NPTF 60° Cone



PART NUMBER	F1 (Thread)	F2 (Thread)	C1	C2	D1	D2	L	S
#	METRIC	NPTF	mm	mm	mm	mm	mm	mm
DAJCMM128M-1202	M12X1.5	1/8"-27	15.70	10.50	5.00	4.78	32.00	14
DAJCMM128M-1204	M12X1.5	1/4"-18	15.70	15.00	5.00	7.14	36.50	14
DAJCMM128M-1402	M14X1.5	1/8"-27	17.00	10.50	5.00	4.78	33.00	17
DAJCMM128M-1404	M14X1.5	1/4"-18	17.00	15.00	5.00	7.14	38.00	17
DAJCMM128M-1604	M16X1.5	1/4"-18	18.00	15.00	7.00	7.14	39.00	17
DAJCMM128M-1606	M16X1.5	3/8"-18	18.00	16.00	7.00	10.31	40.00	19
DAJCMM128M-1804	M18X1.5	1/4"-18	18.00	15.00	8.50	7.14	39.00	19
DAJCMM128M-1806	M18X1.5	3/8"-18	18.00	16.00	8.50	10.31	40.00	19
DAJCMM128M-1808	M18X1.5	1/2"-14	18.00	19.50	8.50	13.49	45.50	22
DAJCMM128M-2206	M22X1.5	3/8"-18	19.50	16.00	12.00	10.31	43.50	24
DAJCMM128M-2208	M22X1.5	1/2"-14	19.50	19.50	12.00	13.49	47.00	24
DAJCMM128M-2706	M27X1.5	3/8"-18	20.00	16.50	16.70	10.31	46.00	30
DAJCMM128M-2708	M27X1.5	1/2"-14	20.00	19.50	16.70	13.49	49.50	30
DAJCMM128M-2712	M27X1.5	3/4"-14	20.00	19.50	16.70	18.26	49.50	30
DAJCMM128M-2716	M27X1.5	1"-11 1/2	20.00	25.50	16.70	23.83	56.50	36
DAJCMM128M-3012	M30X1.5	3/4"-14	23.00	19.50	18.50	18.26	53.50	32
DAJCMM128M-3312	M33X2	3/4"-14	26.00	19.50	20.00	18.26	56.50	36
DAJCMM128M-3616	M36X2	1"-11-1/2	26.00	25.50	26.00	23.83	63.00	41
DAJCMM128M-3916	M39X2	1"-11-1/2	26.00	25.50	27.00	23.83	64.50	41
DAJCMM128M-4516	M45X2	1"-11-1/2	28.50	25.50	33.00	23.83	67.00	46
DAJCMM128M-4520	M45X2	1-1/4"-11-1/2	28.50	26.50	33.00	31.75	68.00	46
DAJCMM128M-4524	M45X2	1-1/2"-11-1/2	28.50	27.50	33.00	38.10	71.00	50

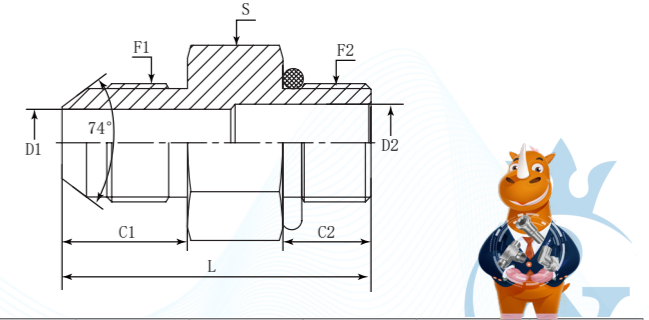
DAJCMM1305

Straight Connector Metric Male 74° Cone – SAE Male O Ring

D	A	JCM	M	1	30	5
Company	Product Range	Thread Types	Connection Type	Adaptor Structure	Thread Types	Connection & Sealing Method
DME	Adaptor	Metric 74° Cone	Male	Straight	SAE	Male + O Ring



- DME&JDE Code:** DAJCMM1305
- Product Type:** Hydraulic adaptor
- Standard:** Metric
- Structure:** Straight
- Connection Type:** Male x Male
- Thread Types:** Metric 74° Cone x SAE UNF
- Sealing Method:** O Rings



PART NUMBER	F1 (Thread)	F2 (Thread)	C1	C2	D1	D2	L	S
#	METRIC	UNF	mm	mm	mm	mm	mm	mm
DAJCMM1305-1606	M16X1.5	9/16"-18	18.00	9.90	7.00	7.54	35.00	17
DAJCMM1305-1808	M18X1.5	3/4"-18	18.00	11.10	8.50	9.93	37.00	22
DAJCMM1305-2210	M22X1.5	7/8"-14	19.50	12.70	16.70	12.29	42.00	27
DAJCMM1305-2712	M27X1.5	1-1/16"-12	20.00	15.10	18.50	15.47	46.00	32
DAJCMM1305-3012	M30X1.5	1-1/16"-12	23.00	15.10	18.50	15.47	49.00	32
DAJCMM1305-3316	M33X2	1-5/16"-12	26.00	15.10	20.00	21.44	54.00	38
DAJCMM1305-3916	M39X2	1-5/16"-12	26.00	15.10	27.00	21.44	58.00	41
DAJCMM1305-4220	M42X2	1-5/8"-12	28.50	15.10	28.00	27.38	58.00	50

DAJCMM907M

90° Elbow Metric Male 74° Cone - BSPT Male

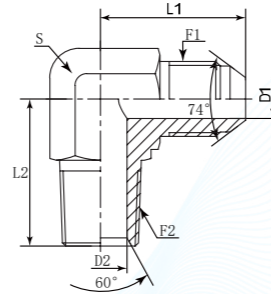
D	A	JCM	M	9	07	M
Company	Product Range	Thread Types	Connection Type	Adaptor Structure	Thread Types	Connection Type
DME	Adaptor	Metric 74° Cone	Male	90° Elbow	BSPT	Male

German Technology Equipment

SHIELD FLEX

New-Standard

- DME&JDE Code: **DAJCMM907M**
- Product Type: **Hydraulic adaptor**
- Standard: **Metric**
- Structure: **90° Elbow**
- Connection Type: **Male x Male**
- Thread Types: **Metric 74° Cone x BSPT 60° Cone**



PART NUMBER	F1 (Thread)	F2 (Thread)	D1	D2	L1	L2	S
#	METRIC	BSPT	mm	mm	mm	mm	mm
DAJCMM907M-1404	M14X1.5	1/4"-19	5.00	6.00	30.20	25.50	14
DAJCMM907M-1604	M16X1.5	1/4"-19	7.00	6.00	32.00	26.50	16
DAJCMM907M-1806	M18X1.5	3/8"-19	8.50	9.00	34.00	29.00	19
DAJCMM907M-1808	M18X1.5	1/2"-14	8.50	12.00	36.00	36.00	22
DAJCMM907M-2208	M22X1.5	1/2"-14	12.00	12.00	37.50	36.00	22
DAJCMM907M-2708	M27X1.5	1/2"-14	16.70	12.00	41.50	39.50	27
DAJCMM907M-2712	M27X1.5	3/4"-14	16.70	16.70	41.50	44.00	27
DAJCMM907M-3012	M30X1.5	3/4"-14	18.50	16.70	45.80	45.50	30
DAJCMM907M-3312	M33X2	3/4"-14	20.00	16.70	49.50	47.50	33
DAJCMM907M-3616	M36X2	1"-11	26.00	22.20	51.50	52.00	36
DAJCMM907M-3916	M39X2	1"-11	27.00	22.20	55.50	55.50	41
DAJCMM907M-4520	M45X2	1 1/4"-11	33.00	28.60	62.50	61.00	48

DAJCMM928M

90° Elbow Metric Male 74° Cone - NPTF Male

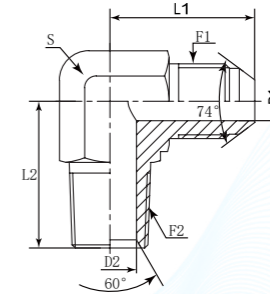
D	A	JCM	M	9	28	M
Company	Product Range	Thread Types	Connection Type	Adaptor Structure	Thread Types	Connection Type
DME	Adaptor	Metric 74° Cone	Male	90° Elbow	NPTF	Male

German Technology Equipment

SHIELD FLEX

New-Standard

- DME&JDE Code: **DAJCMM928M**
- Product Type: **Hydraulic adaptor**
- Standard: **Metric**
- Structure: **90° Elbow**
- Connection Type: **Male x Male**
- Thread Types: **Metric 74° Cone x NPTF 60° Cone**



PART NUMBER	F1 (Thread)	F2 (Thread)	D1	D2	L1	L2	S
#	METRIC	NPTF	mm	mm	mm	mm	mm
DAJCMM928M-1202	M12X1.5	1/8"-27	5.00	4.78	25.50	21.00	14
DAJCMM928M-1204	M12X1.5	1/4"-18	5.00	7.14	28.00	25.50	14
DAJCMM928M-1402	M14X1.5	1/8"-27	5.00	4.78	30.20	23.50	17
DAJCMM928M-1404	M14X1.5	1/4"-18	5.00	7.14	30.20	25.50	17
DAJCMM928M-1604	M16X1.5	1/4"-18	7.00	7.14	32.00	26.50	19
DAJCMM928M-1606	M16X1.5	3/8"-18	7.00	10.31	32.00	30.00	19
DAJCMM928M-1608	M16X1.5	1/2"-14	7.00	13.49	36.00	36.70	19
DAJCMM928M-1804	M18X1.5	1/4"-18	8.50	7.14	34.00	28.70	22
DAJCMM928M-1806	M18X1.5	3/8"-18	8.50	10.31	34.00	31.00	22
DAJCMM928M-2206	M22X1.5	3/8"-18	12.00	10.31	37.50	32.50	27
DAJCMM928M-2208	M22X1.5	1/2"-14	12.00	13.49	37.50	36.70	27
DAJCMM928M-2708	M27X1.5	1/2"-14	16.70	13.49	41.50	40.00	32
DAJCMM928M-2712	M27X1.5	3/4"-14	16.70	18.26	41.50	44.00	32
DAJCMM928M-2716	M27X1.5	1"-11-1/2	16.70	23.83	45.00	49.00	32
DAJCMM928M-3012	M30X1.5	3/4"-14	18.50	18.26	45.80	45.00	36
DAJCMM928M-3616	M36X2	1"-11-1/2	26.00	23.83	51.50	51.50	41
DAJCMM928M-3916	M39X2	1"-11-1/2	27.00	23.83	55.50	54.50	46
DAJCMM928M-4220	M45X2	1-1/4"-11-1/2	28.00	31.75	57.00	54.50	50
DAJCMM928M-4516	M45X2	1"-11-1/2	33.00	23.83	62.50	58.50	55
DAJCMM928M-4520	M45X2	1-1/4"-11-1/2	33.00	31.75	62.50	58.50	55
DAJCMM928M-4524	M45X2	1-1/2"-11-1/2	33.00	38.10	62.50	63.00	55



DAJCMM1000

Metric Male 74° Cone Plug

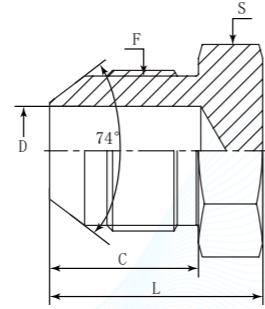
D	A	JCM	M	1	000
Company	Product Range	Thread Types	Connection Type	Adaptor Structure	Other Features
DME	Adaptor	Metric 74° Cone	Male	Straight	Nut/Plug

German Technology Equipment

SHIELD FLEX

New-Standard

- DME&JDE Code: **DAJCMM1000**
- Product Type: **Hydraulic adaptor**
- Standard: **Metric**
- Structure: **Straight**
- Connection Type: **Male**
- Thread Types: **Metric**
- Other Features: **Nut/Plug**



PART NUMBER	F1 (Thread)	C	D	L	S
#	METRIC	mm	mm	mm	mm
DAJCMM1000-1000	M10X1	12.00	3.20	18.00	12
DAJCMM1000-1200	M12X1.5	15.70	5.00	21.50	14
DAJCMM1000-1400	M14X1.5	17.00	5.00	23.00	17
DAJCMM1000-1600	M16X1.5	18.00	7.00	24.00	17
DAJCMM1000-1800	M18X1.5	18.00	8.50	24.00	19
DAJCMM1000-2200	M22X1.5	19.50	12.00	27.50	24
DAJCMM1000-2400	M24X1.5	20.00	15.00	30.00	27
DAJCMM1000-2700	M27X1.5	20.00	16.70	30.00	30
DAJCMM1000-3000	M30X1.5	23.00	18.50	34.00	32
DAJCMM1000-3300	M33X2	26.00	20.00	37.00	36
DAJCMM1000-3600	M36X2	26.00	26.00	38.00	38
DAJCMM1000-3900	M39X2	26.00	27.00	39.00	41
DAJCMM1000-4200	M42X2	28.50	28.00	41.50	46
DAJCMM1000-4500	M45X2	28.50	33.00	41.50	46



DAJCMM31000

Metric Female 74° Cone Plug

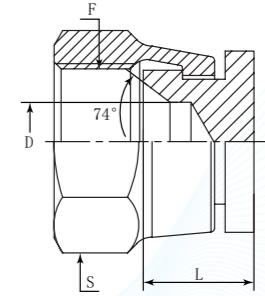
D	A	JCM	M	3	1	000
Company	Product Range	Thread Types	Connection Type	Adaptor Structure	Adaptor Structure	Other Features
DME	Adaptor	Metric 74° Cone	Male	Slip-on Female	Straight	Nut/Plug

German Technology Equipment

SHIELD FLEX

New-Standard

- DME&JDE Code: **DAJCMM31000**
- Product Type: **Hydraulic adaptor**
- Standard: **Metric**
- Structure: **Straight**
- Connection Type: **Female**
- Thread Types: **Metric**
- Other Features: **Nut/Plug**



PART NUMBER	F1 (Thread)	D	L	S
#	METRIC	mm	mm	mm
DAJCMM31000-1400	M14X1.5	4.00	11.00	19
DAJCMM31000-1600	M16X1.5	5.50	12.00	22
DAJCMM31000-1800	M18X1.5	7.00	13.00	24
DAJCMM31000-2200	M22X1.5	9.50	14.00	27
DAJCMM31000-2700	M27X1.5	15.00	17.00	32
DAJCMM31000-3000	M30X1.5	14.00	17.00	36
DAJCMM31000-3600	M36X2	25.00	20.00	41
DAJCMM31000-3900	M39X2	27.00	21.00	46
DAJCMM31000-4500	M45X2	33.00	23.00	50
DAJCMM31000-5200	M52X2	38.00	27.00	60
DAJCMM31000-6000	M60X2	54.60	30.00	70



DAJCMM128F

Straight Connector Metric Male 74° Cone – NPTF Female

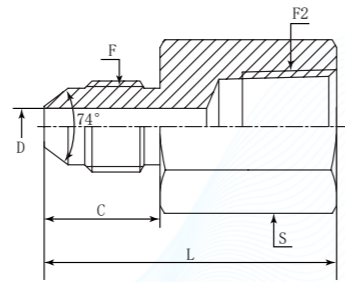
D	A	JSM	M	1	28	F
Company	Product Range	Thread Types	Connection Type	Adaptor Structure	Thread Types	Connection Type
DME	Adaptor	Metric 74° Cone	Male	Straight	NPTF	Female

German Technology Equipment

SHIELD FLEX

New-Standard

- DME&JDE Code: **DAJCMM128F**
- Product Type: **Hydraulic adaptor**
- Standard: **Metric**
- Structure: **Straight**
- Connection Type: **Male x Female**
- Thread Types: **Metric 74° Cone x NPTF**



PART NUMBER	F1 (Thread)	F2 (Thread)	C	D	L	S
#	METRIC	NPTF	mm	mm	mm	mm
DAJCMM128F-1202	M12X1.5	1/8"-27	15.70	5.00	31.90	14
DAJCMM128F-1404	M14X1.5	1/4"-18	17.00	5.00	38.30	19
DAJCMM128F-1606	M16X1.5	3/8"-18	18.00	7.00	41.00	22
DAJCMM128F-1806	M18X1.5	3/8"-18	18.00	8.50	40.90	22
DAJCMM128F-2208	M22X1.5	1/2"-14	19.50	12.00	48.40	30
DAJCMM128F-2712	M27X1.5	3/4"-14	20.00	16.70	50.40	36
DAJCMM128F-3616	M36X2	1"-11-1/2	25.00	26.00	61.60	41
DAJCMM128F-4220	M42X2	1-1/4"-11-1/2	28.50	28.00	67.40	50

Web: <https://www.dmejde.com>
E-mail: info@dmejde.com



DAMMO152MO

Straight Connector Metric Male L + O Ring

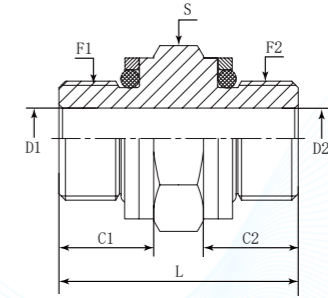
D	A	M	M	O	1	52	M	O
Company	Product Range	Connection Type	Connection Type	seal Type	Adaptor Structure	Connection & Sealing Method	Connection Type	seal Type
DME	Adaptor	Male	Male	O Ring	Straight	Male + O Ring	Male	O Ring

German Technology Equipment

SHIELD FLEX

New-Standard

- DME&JDE Code: **DAMMO152MO**
- Product Type: **Hydraulic adaptor**
- Standard: **Metric**
- Structure: **Straight**
- Connection Type: **Male x Male**
- Thread Types: **Metric x Metric**
- Sealing Method: **O Rings**



PART NUMBER	F1 (Thread)	F2 (Thread)	C1	C2	D1	D2	L	S
#	METRIC	METRIC	mm	mm	mm	mm	mm	mm
DAMMO152MO-1010	M10X1	M10X1	8.50	8.50	3.20	3.20	28.00	14
DAMMO152MO-1212	M12X1.5	M12X1.5	11.00	11.00	5.00	5.00	33.00	17
DAMMO152MO-1414	M14X1.5	M14X1.5	11.00	11.00	5.00	5.00	33.00	19
DAMMO152MO-1616	M16X1.5	M16X1.5	11.50	11.50	7.00	7.00	34.00	22
DAMMO152MO-1818	M18X1.5	M18X1.5	12.50	12.50	8.50	8.50	36.00	24
DAMMO152MO-2222	M22X1.5	M22X1.5	13.00	13.00	12.00	12.00	39.00	27
DAMMO152MO-2727	M27X2	M27X2	16.00	16.00	16.70	16.70	45.00	32
DAMMO152MO-3333	M33X2	M33X2	16.00	16.00	20.00	20.00	48.00	41
DAMMO152MO-4242	M42X2	M42X2	16.00	16.00	28.00	28.00	50.00	50
DAMMO152MO-4848	M48X2	M48X2	17.50	17.50	32.00	32.00	53.00	55

Web: <https://www.dmejde.com>
E-mail: info@dmejde.com



DAJCMMT52JCM

Branch Tee Metric Male 74° – Metric Male 74°

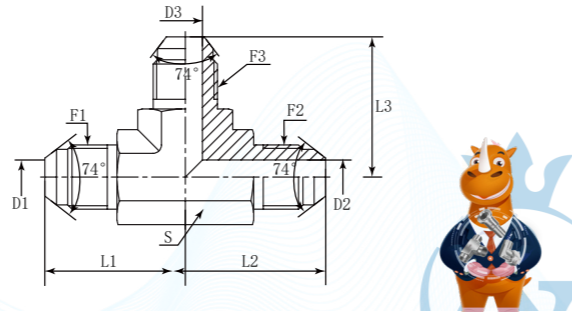
D	A	JCM	M	T	52	JCM
Company	Product Range	Thread Types	Connection Type	Adaptor Structure	Thread Types	Thread Types
DME	Adaptor	Metric 74° Cone	Male	Branch Tee	Metric	Metric 74° Cone

German Technology Equipment

SHIELD FLEX

New-Standard

- DME&JDE Code: **DAJCMMT52JCM**
- Product Type: **Hydraulic adaptor**
- Standard: **Metric**
- Structure: **Branch Tee**
- Connection Type: **Male × Male × Male**
- Thread Types: **Metric 74° Cone × Metric 74° Cone × Metric 74° Cone**



PART NUMBER	F1 (Thread)	F2 (Thread)	F3 (Thread)	D1	D2	D3	L1	L2	L3	S
#	METRIC	METRIC	METRIC	mm	mm	mm	mm	mm	mm	mm
DAJCMMT52JCM-1414	M14X1.5	M14X1.5	M14X1.5	5.00	5.00	5.00	27.00	27.00	27.00	14
DAJCMMT52JCM-1616	M16X1.5	M16X1.5	M16X1.5	7.00	7.00	7.00	29.50	29.50	29.50	16
DAJCMMT52JCM-1818	M18X1.5	M18X1.5	M18X1.5	8.50	8.50	8.50	34.00	34.00	34.00	19
DAJCMMT52JCM-2222	M22X1.5	M22X1.5	M22X1.5	12.00	12.00	12.00	37.50	37.50	37.50	22
DAJCMMT52JCM-2727	M27X1.5	M27X1.5	M27X1.5	16.70	16.70	16.70	41.50	41.50	41.50	27
DAJCMMT52JCM-3030	M30X1.5	M27X1.5	M27X1.5	18.50	18.50	18.50	42.80	42.80	42.80	30
DAJCMMT52JCM-3333	M33X2	M33X2	M33X2	20.00	20.00	20.00	49.50	49.50	49.50	33

DAJMML065

Run Tee Connector Metric Male 84° Cone - Adjustable BSPP Male O Ring

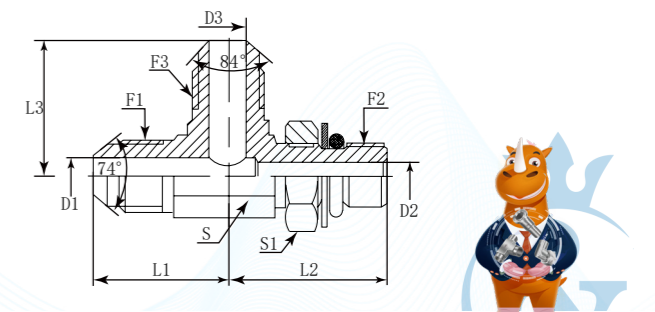
D	A	M	M	L	06	5
Company	Product Range	Connection Type	Connection Type	Adaptor Structure	Thread Types	Connection Type
DME	Adaptor	Metric 84°	Male	Run Tee	BSPP	Male O Ring

German Technology Equipment

SHIELD FLEX

New-Standard

- DME&JDE Code: **DAJMML065**
- Product Type: **Hydraulic adaptor**
- Standard: **Metric**
- Structure: **Run Tee**
- Connection Type: **Male × Adjustable Male**
- Thread Types: **UNF 74° Cone × BSPP + O Ring × Metric 84° Cone**
- Sealing Method: **O Rings**



PART NUMBER	F1 (Thread)	F2 (Thread)	F3 (Thread)	D1	D2	D3	L1	L2	L3	S	S1
#	UNF	BSPP	METRIC	mm	mm	mm	mm	mm	mm	mm	mm
DAJMML065-0604	7/16"-20	1/4"-19	M14X1.5	4.37	7.50	7.54	28.50	31.50	28.50	14.00	19.00



Hydraulic Adaptors

Test Point »



<p>TP-DAJCM1251-BPF P729</p> <p>Test Point JIC Male - JIC Swivel Female with BSP Gage Port</p>	<p>TP-DAOF51241-BPF P730</p> <p>Test Point ORFS Male - ORFS Swivel Female with BSP Gage Port</p>	<p>TP-DAJSM1071-BPF P731</p> <p>Test Point Metric Male - Metric Swivel Female with BSP Gage Port BSP</p>	<p>TP-DANPM1091-BPF P732</p> <p>Test Point NPTF Male - NPSM Swivel Female with BSP Gage Port</p>
<p>TP-DAJCM1251-NPF P733</p> <p>Test Point JIC Male - JIC Swivel Female with NPTF Gage Port</p>	<p>TP-DAJCM1251-UNF P734</p> <p>Test Point JIC Male 74° - JIC Swivel Female 74° with JIC Gage Port</p>	<p>TP-DAOF51241-NPF P735</p> <p>Test Point ORFS Male - ORFS Swivel Female with NPTF Gage Port</p>	<p>TP-DAOF51241-UNF P736</p> <p>Test Point ORFS Male - ORFS Swivel Female with JIC Gage Port</p>
<p>TP-DABPM1081-BPF P737</p> <p>Test Point BSP Male - BSP Swivel Female with BSP Gage Port BSP</p>	<p>TP-DAJCM1305-NPF P738</p> <p>Test Point JIC Male - JIC Male + O Ring with NPTF Gage Port</p>		



TP-DAJCM1251-BPF

Test Point JIC Male - JIC Swivel Female with BSP Gage Port

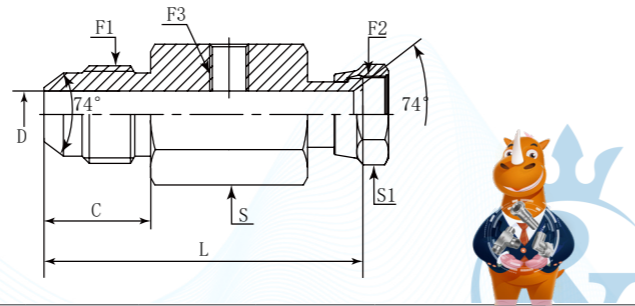
TP	D	A	JC	M	1	251	BPF
Test Point	Company	Product Range	Thread Types	Connection Type	Adaptor Structure	Connection Type	Accessory
	DME	Adaptor	JIC	Male	Straight	JIC Swivel Female	BSP Female Gage Port

German Technology Equipment

SHIELD FLEX

New-Standard

- DME&JDE Code: TP-DAJCM1251-BPF
- Product Type: Hydraulic adaptor
- Standard: Test Point Adaptor
- Structure: Straight
- Connection Type: Male x Swivel Female x Female
- Thread Types: JIC UNF x JIC UNF x BSPP Gage Port



Filter the F1 Thread through selecting the -XX options

PART NUMBER	F1 (Thread)	F2 (Thread)	F3 (Thread)	C	D	L	S	S1
#	UNF	UNF	BSPP	mm	mm	mm	mm	mm
TP-DAJCM1251-BPF-040402	7/16"-20	7/16"-20	1/8"-28	13.97	4.37	42.00	1"	9/16"
TP-DAJCM1251-BPF-050502	1/2"-20	1/2"-20	1/8"-28	13.97	5.94	42.90	1"	5/8"
TP-DAJCM1251-BPF-060602	9/16"-18	9/16"-18	1/8"-28	14.12	7.54	44.00	1"	11/16"
TP-DAJCM1251-BPF-080802	3/4"-16	3/4"-16	1/8"-28	16.69	9.93	48.00	1"	7/8"
TP-DAJCM1251-BPF-101002	7/8"-14	7/8"-14	1/8"-28	19.25	12.29	51.50	1"	1"
TP-DAJCM1251-BPF-121202	1-1/16"-12	1-1/16"-12	1/8"-28	21.95	15.47	55.00	1-1/8"	1-1/4"
TP-DAJCM1251-BPF-141402	1-3/16"-12	1-3/16"-12	1/8"-28	23.00	18.00	56.60	1-1/4"	1-3/8"
TP-DAJCM1251-BPF-161602	1-5/16"-12	1-5/16"-12	1/8"-28	23.14	21.44	57.50	1-3/8"	1-1/2"
TP-DAJCM1251-BPF-202002	1-5/8"-12	1-5/8"-12	1/8"-28	24.33	27.38	60.00	1-11/16"	2"

TP-DAOF51241-BPF

Test Point ORFS Male - ORFS Swivel Female with BSP Gage Port

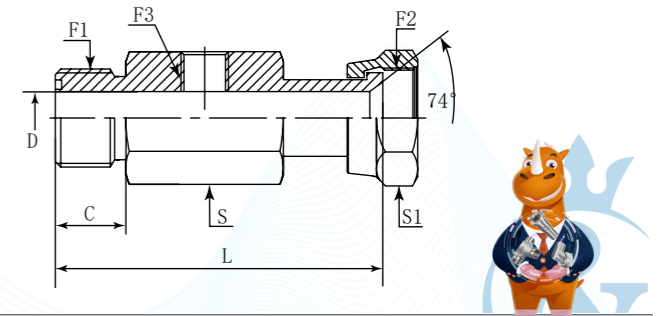
TP	D	A	OF	5	1	241	BPF
Test Point	Company	Product Range	Thread Types	Connection Type	Adaptor Structure	Connection Type	Accessory
	DME	Adaptor	ORFS	Male	Straight	ORFS Swivel Female	BSP Female Gage Port

German Technology Equipment

SHIELD FLEX

New-Standard

- DME&JDE Code: TP-DAOF51241-BPF
- Product Type: Hydraulic adaptor
- Standard: Test Point Adaptor
- Structure: Straight
- Connection Type: Male x Swivel Female x Female
- Thread Types: UNF x UNF x BSPP Gage Port



Filter the F1 Thread through selecting the -XX options

PART NUMBER	F1 (Thread)	F2 (Thread)	F3 (Thread)	C	D	L	S	S1
#	UNF	UNF	BSPP	mm	mm	mm	mm	mm
TP-DAOF51241-BPF-040402	9/16"-18	9/16"-18	1/8"-28	9.80	4.19	46.50	1"	11/16"
TP-DAOF51241-BPF-060602	11/16"-16	11/16"-16	1/8"-28	11.20	6.71	50.00	1"	13/16"
TP-DAOF51241-BPF-080802	13/16"-16	13/16"-16	1/8"-28	12.80	9.09	54.50	1"	15/16"
TP-DAOF51241-BPF-101002	1"-14	1"-14	1/8"-28	15.49	11.51	60.50	1-1/16"	1-1/8"
TP-DAOF51241-BPF-121202	1-3/16"-12	1-3/16"-12	1/8"-28	17.02	13.89	65.50	1-1/4"	1-3/8"
TP-DAOF51241-BPF-161602	1-7/16"-12	1-7/16"-12	1/8"-28	17.50	19.89	70.00	1-1/2"	1-5/8"
TP-DAOF51241-BPF-202002	1-11/16"-12	1-11/16"-12	1/8"-28	17.50	26.00	70.00	1-7/8"	1-7/8"



TP-DAJSM1071-BPF

Test Point Metric Male - Metric Swivel Female with BSP Gage Port BSP

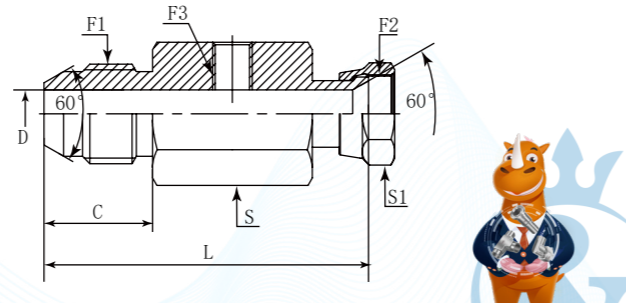
TP	D	A	JS	M	1	071	BPF
Test Point	Company DME	Product Range Adaptor	Thread Types JIS Metric	Connection Type Male	Adaptor Structure Straight	Connection Type Metric Swivel Female	Accessory BSP Female Gage Port

German Technology Equipment

SHIELD FLEX

New-Standard

- DME&JDE Code: TP-DAJSM1071-BPF
- Product Type: Hydraulic adaptor
- Standard: Test Point
- Structure: Straight
- Connection Type: Male x Swivel Female x Female
- Thread Types: Metric x Metric x BSPP Gage Port



Filter the F1 Thread through selecting the -XX options

PART NUMBER	F1 (Thread)	F2 (Thread)	F3 (Thread)	C	D	L	S	S1
#	Metric	Metric	BSPP	mm	mm	mm	mm	mm
TP-DAJSM1071-BPF-141402	M14X1.5	M14X1.5	1/8"-28	17.00	4.00	46.50	25.40	19.00
TP-DAJSM1071-BPF-181802	M18X1.5	M18X1.5	1/8"-28	18.00	7.00	49.50	25.40	24.00
TP-DAJSM1071-BPF-222202	M22X1.5	M22X1.5	1/8"-28	20.00	9.50	51.50	25.40	27.00
TP-DAJSM1071-BPF-242402	M24X1.5	M24X1.5	1/8"-28	21.50	12.50	53.50	27.00	32.00
TP-DAJSM1071-BPF-262602	M26X1.5	M26X1.5	1/8"-28	22.00	13.00	54.50	30.00	32.00
TP-DAJSM1071-BPF-303002	M30X1.5	M30X1.5	1/8"-28	26.00	14.00	59.50	33.00	36.00



TP-DANPM1091-BPF

Test Point NPTF Male - NPSM Swivel Female with BSP Gage Port

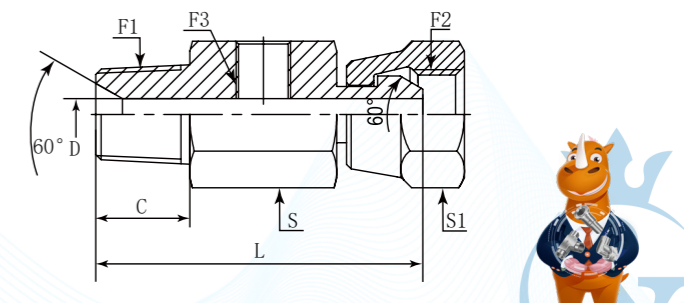
TP	D	A	NP	M	1	091	BPF
Test Point	Company DME	Product Range Adaptor	Thread Types NPTF	Connection Type Male	Adaptor Structure Straight	Connection Type NPSM Swivel Female	Accessory BSP Female Gage Port

German Technology Equipment

SHIELD FLEX

New-Standard

- DME&JDE Code: TP-DANPM1091-BPF
- Product Type: Hydraulic adaptor
- Standard: Test Point Adaptor
- Structure: Straight
- Connection Type: Male x Swivel Female x Female
- Thread Types: NPTF x NPSM x BSP Gage Port



Filter the F1 Thread through selecting the -XX options

PART NUMBER	F1 (Thread)	F2 (Thread)	F3 (Thread)	C	D	L	S	S1
#	NPTF	NPSM	BSPP	mm	mm	mm	mm	mm
TP-DANPM1091-BPF-060602	3/8"-18	3/8"-18	1/8"-28	14.22	8.13	44.63	25.40	22.23



TP-DAJCM1251-NPF

Test Point JIC Male - JIC Swivel Female with NPTF Gage Port

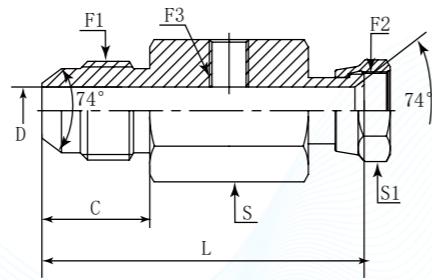
TP	D	A	JC	M	1	251	NPF
Test Point	Company DME	Product Range Adaptor	Thread Types JIC UNF	Connection Type Male	Adaptor Structure Straight	Connection Type JIC Swivel Female	Accessory NPTF Female Gage Port

German Technology Equipment

SHIELD FLEX

New-Standard

- DME&JDE Code: TP-DAJCM1251-NPF
- Product Type: Hydraulic adaptor
- Standard: Test Point Adaptor
- Structure: Straight
- Connection Type: Male x Swivel Female x Female
- Thread Types: JIC x JIC x NPTF Gage Port



Filter the F1 Thread through selecting the -XX options

PART NUMBER	F1 (Thread)	F2 (Thread)	F3 (Thread)	C	D	L	S	S1
#	UNF	UNF	NPTF	mm	mm	mm	mm	mm
TP-DAJCM1251-NPF-040404	7/16"-20	7/16"-20	1/4"-18	13.97	4.37	50.00	19.05	14.27
TP-DAJCM1251-NPF-060604	9/16"-18	9/16"-18	1/4"-18	14.12	7.54	64.50	22.20	17.45
TP-DAJCM1251-NPF-080804	3/4"-16	3/4"-16	1/4"-18	16.69	9.93	64.50	22.22	22.23
TP-DAJCM1251-NPF-101004	7/8"-14	7/8"-14	1/4"-18	19.25	12.29	65.25	22.20	25.40
TP-DAJCM1251-NPF-121204	1-1/16"-12	1-1/16"-12	1/4"-18	21.95	15.47	72.40	26.97	31.75
TP-DAJCM1251-NPF-161604	1-5/16"-12	1-5/16"-12	1/4"-18	25.93	21.44	81.71	33.30	38.10
TP-DAJCM1251-NPF-202004	1-5/8"-12	1-5/8"-12	1/4"-18	24.33	27.38	65.08	42.86	50.80
TP-DAJCM1251-NPF-242404	1-7/8"-12	1-7/8"-12	1/4"-18	27.51	33.32	70.00	47.62	57.15

Certificate:



TP-DAJCM1251-UNF

Test Point JIC Male 74° - JIC Swivel Female 74° with JIC Gage Port

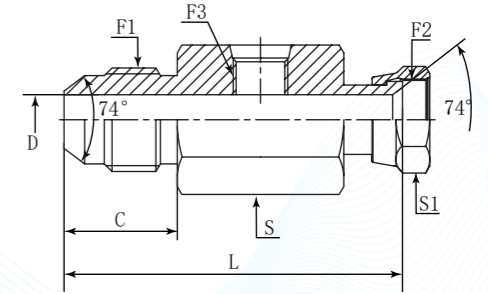
TP	D	A	JC	M	1	251	UNF
Test Point	Company DME	Product Range Adaptor	Thread Types JIC UNF	Connection Type Male	Adaptor Structure Straight	Connection Type JIC Swivel Female	Accessory UNF Gage Port

German Technology Equipment

SHIELD FLEX

New-Standard

- DME&JDE Code: TP-DAJCM1251-UNF
- Product Type: Hydraulic adaptor
- Standard: Test Point Adaptor
- Structure: Straight
- Connection Type: Male x Swivel Female x Female
- Thread Types: UNF x UNF x UNF Gage Port



Filter the F1 Thread through selecting the -XX options

PART NUMBER	F1 (Thread)	F2 (Thread)	F3 (Thread)	C1	C2	D	L	S	S1
#	UNF	UNF	UNF	mm	mm	mm	mm	mm	mm
TP-DAJCM1251-UNF-040404	7/16"-20	7/16"-20	7/16"-20	13.97	8.03	4.37	42.00	25.40	14.27
TP-DAJCM1251-UNF-060604	9/16"-18	9/16"-18	7/16"-20	14.12	9.91	7.54	44.03	25.40	17.45
TP-DAJCM1251-UNF-080804	3/4"-16	3/4"-16	7/16"-20	16.69	11.20	9.93	47.90	25.40	22.23
TP-DAJCM1251-UNF-101004	7/8"-14	7/8"-14	7/16"-20	19.25	11.96	12.29	51.21	25.40	25.40
TP-DAJCM1251-UNF-121204	1-1/16"-12	1-1/16"-12	7/16"-20	21.95	12.85	15.47	54.80	28.58	31.75
TP-DAJCM1251-UNF-161604	1-5/16"-12	1-5/16"-12	7/16"-20	23.14	14.37	21.44	57.50	34.93	38.10
TP-DAJCM1251-UNF-202004	1-5/8"-12	1-5/8"-12	7/16"-20	24.33	15.75	27.38	60.08	42.86	50.80

Certificate:



TP-DAOF51241-NPF

Test Point ORFS Male - ORFS Swivel Female with NPTF Gage Port

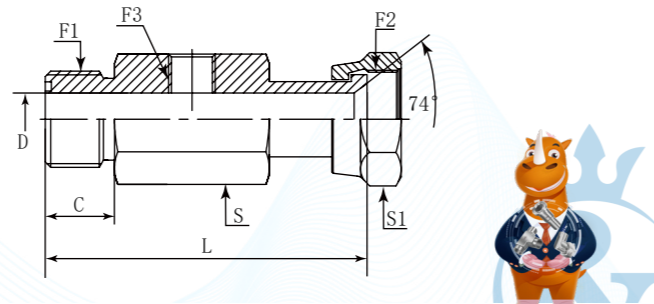
TP	D	A	OF	5	1	241	NPF
Test Point	Company DME	Product Range Adaptor	Thread Types ORFS	Connection Type Male	Adaptor Structure Straight	Connection Type ORFS Swivel Female	Accessory NPTF Female Gage Port

German Technology Equipment

SHIELD FLEX

New-Standard

- DME&JDE Code: TP-DAOF51241-NPF
- Product Type: Hydraulic adaptor
- Standard: Test Point Adaptor
- Structure: Straight
- Connection Type: Male x Swivel Female x Female
- Thread Types: UNF x UNF x NPTF Gage Port



Filter the F1 Thread through selecting the -XX options

PART NUMBER	F1 (Thread)	F2 (Thread)	F3 (Thread)	C	D	L	S	S1
#	UNF	UNF	NPTF	mm	mm	mm	mm	mm
TP-DAOF51241-NPF-040404	9/16"-18	9/16"-18	1/4"-18	9.80	4.19	51.30	25.40	17.46
TP-DAOF51241-NPF-060604	11/16"-16	11/16"-16	1/4"-18	11.20	6.71	54.90	25.40	20.62
TP-DAOF51241-NPF-080804	13/16"-16	13/16"-16	1/4"-18	12.80	9.09	59.52	25.40	23.81
TP-DAOF51241-NPF-101004	1"-14	1"-14	1/4"-18	15.49	11.51	65.40	27.00	28.58
TP-DAOF51241-NPF-121204	1-3/16"-12	1-3/16"-12	1/4"-18	17.02	13.89	70.50	32.00	34.92
TP-DAOF51241-NPF-161604	1-7/16"-12	1-7/16"-12	1/4"-18	17.50	19.89	73.00	41.27	41.28

Certificate:



TP-DAOF51241-UNF

Test Point ORFS Male - ORFS Swivel Female with JIC Gage Port

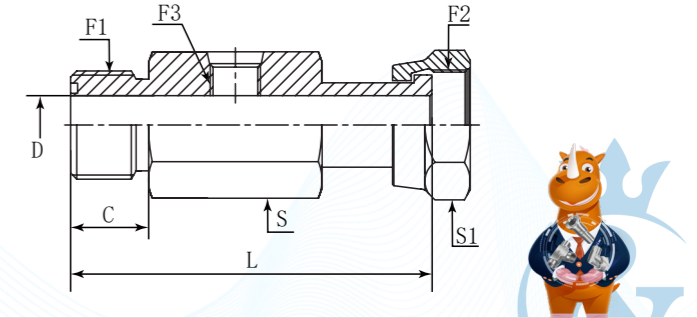
TP	D	A	OF	5	1	241	UNF
Test Point	Company DME	Product Range Adaptor	Thread Types ORFS	Connection Type Male	Adaptor Structure Straight	Connection Type ORFS Swivel Female	Accessory UNF Female Gage Port

German Technology Equipment

SHIELD FLEX

New-Standard

- DME&JDE Code: TP-DAOF51241-UNF
- Product Type: Hydraulic adaptor
- Standard: Test Point Adaptor
- Structure: Straight
- Connection Type: Male x Swivel Female x Female
- Thread Types: UNF x UNF x UNF Gage Port



Filter the F1 Thread through selecting the -XX options

PART NUMBER	F1 (Thread)	F2 (Thread)	F3 (Thread)	C1	C2	D	L	S	S1
#	UNF	UNF	UNF	mm	mm	mm	mm	mm	mm
TP-DAOF51241-UNF-040404	9/16"-18	9/16"-18	7/16"-20	9.80	16.51	4.19	51.30	25.40	17.46
TP-DAOF51241-UNF-060604	11/16"-16	11/16"-16	7/16"-20	11.20	18.67	6.71	54.90	25.40	20.62
TP-DAOF51241-UNF-080804	13/16"-16	13/16"-16	7/16"-20	12.80	21.72	9.09	59.52	25.40	23.81
TP-DAOF51241-UNF-080806	13/16"-16	13/16"-16	9/16"-18	12.80	21.72	9.09	59.50	25.40	23.81
TP-DAOF51241-UNF-101004	1"-14	1"-14	7/16"-20	15.49	24.89	11.51	65.40	27	28.58
TP-DAOF51241-UNF-121204	1-3/16"-12	1-3/16"-12	7/16"-20	17.02	28.45	13.89	70.50	32	34.92
TP-DAOF51241-UNF-161604	1-7/16"-12	1-7/16"-12	7/16"-20	17.50	30.48	19.89	73.00	41.27	41.28
TP-DAOF51241-UNF-242404	2"-12	2"-12	7/16"-20	17.50	30.48	32.00	76.00	53.98	57.15

Certificate:



TP-DABPM1081-BPF

Test Point BSP Male - BSP Swivel Female with BSP Gage Port BSP

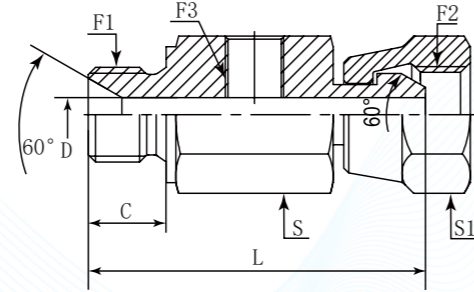
TP	D	A	BP	M	1	081	BPF
Test Point	Company	Product Range	Thread Types	Connection Type	Adaptor Structure	Connection Type	Accessory
	DME	Adaptor	BSP	Male	Straight	BSP Swivel Female	BSP Female Gage Port

German Technology Equipment

SHIELD FLEX

New-Standard

- DME&JDE Code: TP-DABPM1081-BPF
- Product Type: Hydraulic adaptor
- Standard: Test Point
- Structure: Straight
- Connection Type: Male x Swivel Female x Female
- Thread Types: BSPP x BSPP x BSP Gage Port



Filter the F1 Thread through selecting the -XX options

PART NUMBER	F1 (Thread)	F2 (Thread)	F3 (Thread)	C	D	L	S	S1
#	BSPP	BSPP	BSPP	mm	mm	mm	mm	mm
TP-DABPM1081-BPF-080802	1/2"-14	1/2"-14	1/8"-28	14.00	11.10	50.00	27.00	27.00
TP-DABPM1081-BPF-121202	3/4"-14	3/4"-14	1/8"-28	16.00	16.70	54.50	32.00	32.00
TP-DABPM1081-BPF-121204	3/4"-14	3/4"-14	1/4"-19	16.00	16.70	54.50	32.00	32.00
TP-DABPM1081-BPF-161602	1"-11	1"-11	1/8"-28	19.00	22.20	59.50	41.00	41.00
TP-DABPM1081-BPF-161604	1"-11	1"-11	1/4"-19	19.00	22.20	59.50	41.00	41.00

TP-DAJCM1305-NPF

Test Point JIC Male - JIC Male + O Ring with NPTF Gage Port

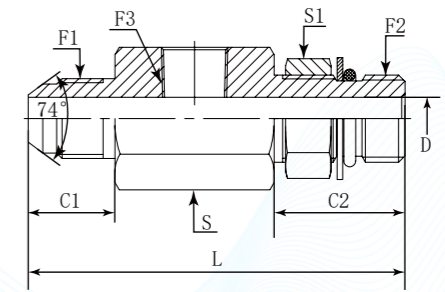
TP	D	A	JC	M	1	30	5	NPF
Test Point	Company	Product Range	Thread Types	Connection Type	Adaptor Structure	Thread Types	Connection Type	Accessory
	DME	Adaptor	JIC	Male	Straight	JIC	Male + O Ring	NPTF Female Gage Port

German Technology Equipment

SHIELD FLEX

New-Standard

- DME&JDE Code: TP-DAJCM1305-NPF
- Product Type: Hydraulic adaptor
- Standard: Test Point Adaptor
- Structure: Straight
- Connection Type: Male x Male x Female
- Thread Types: UNF x UNF + O Ring x NPTF Gage Port
- Sealing Method: O Rings



Filter the F1 Thread through selecting the -XX options

PART NUMBER	F1 (Thread)	F2 (Thread)	F3 (Thread)	C1	C2	D	L	S	S1
#	UNF	UNF	NPTF	mm	mm	mm	mm	mm	mm
TP-DAJCM1305-NPF-080804	3/4"-16	3/4"-16	1/4"-18	18.69	24.22	9.93	79.40	22.22	22.22
TP-DAJCM1305-NPF-121204	1-1/16"-12	1-1/16"-12	1/4"-18	24.74	32.17	15.47	91.90	26.97	31.75





Captive Flange



Split Flange



Straight



45° Elbow



90° Elbow

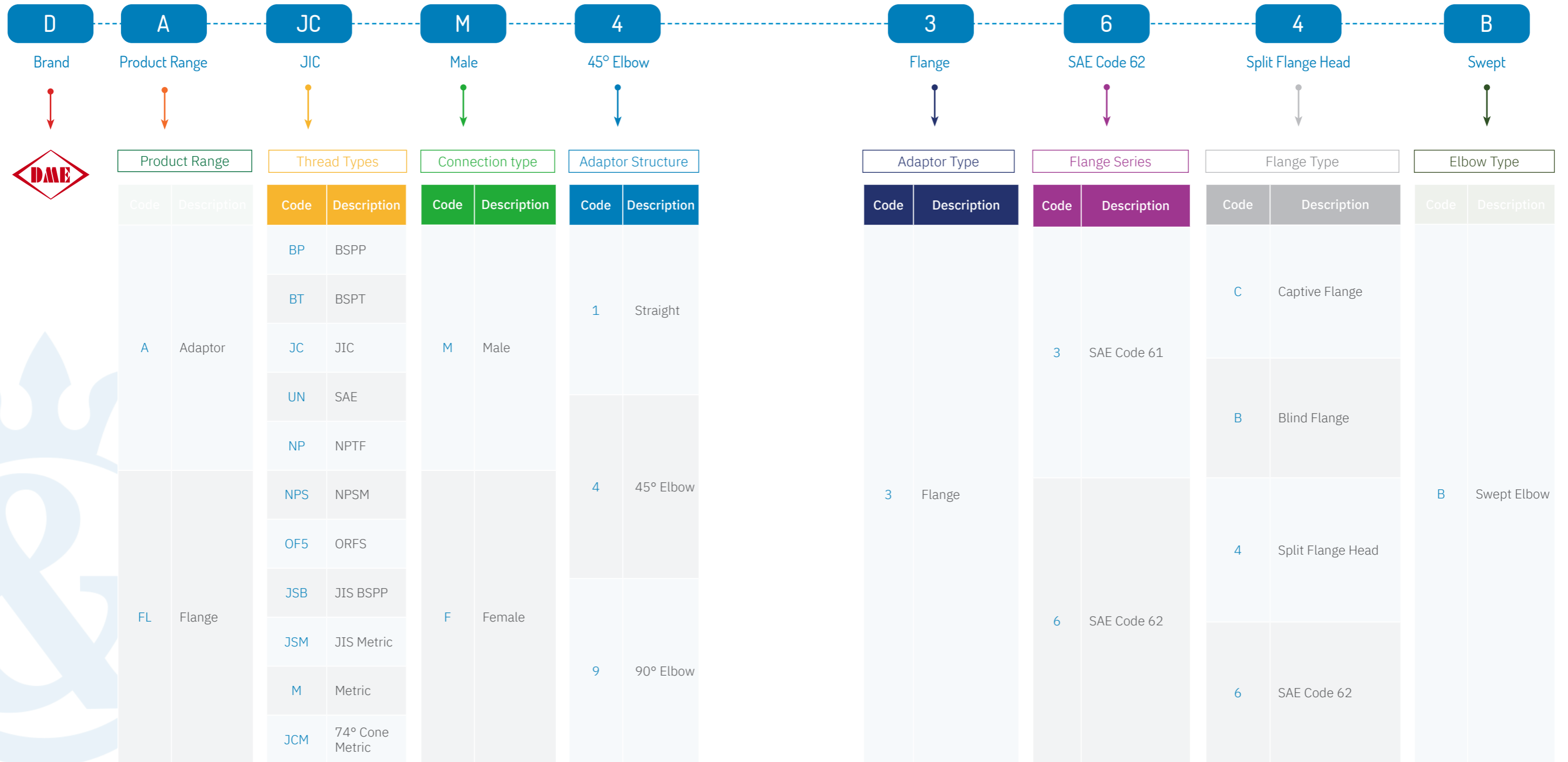
Hydraulic Flange & Adaptor

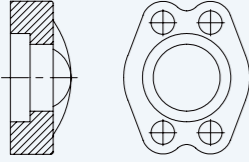
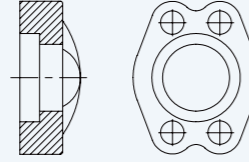
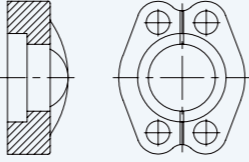
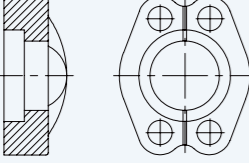
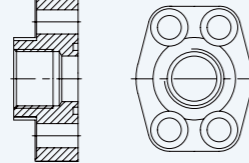
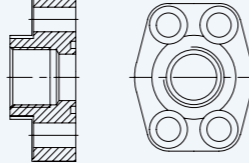
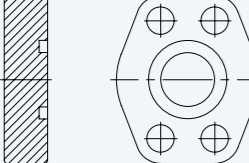
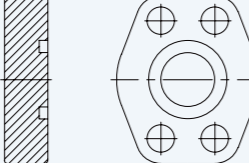
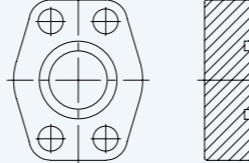
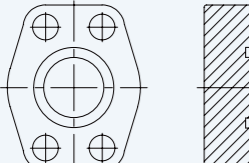
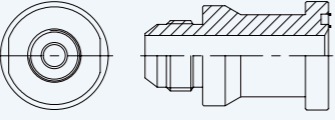
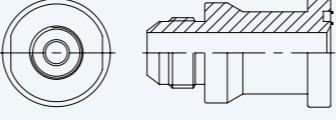
Hydraulic flange & adaptors are used in the most demanding applications, including high pressure, shock and vibration, especially in larger sizes. It can save labor times and costs as well as reduce tool limitation during installation, which makes installation efficient, easy can flexible.

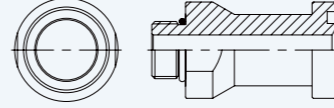
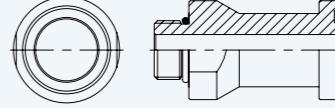
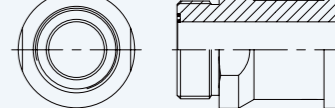
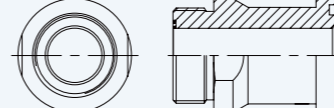
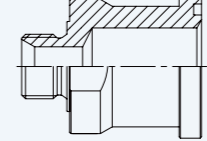
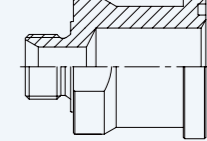


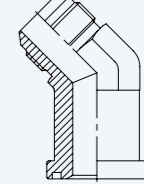
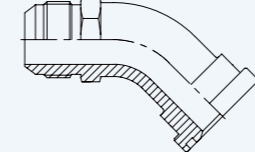
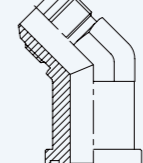
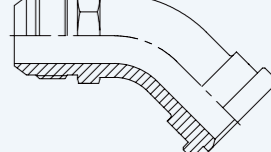
DME&JDE supplies full ranges of hydraulic flanges and adaptors for your fluid power transmission. Just select the perfect one for your line or you can contact our specialist for further production recommendation and solution design.

CODE SYSTEM

e.g. DAJCM4364-B

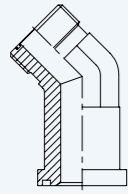


<p>DFLC3 P746</p>  <p>Captive Flange SAE Code 61</p>	<p>DFLC6 P747</p>  <p>Captive Flange SAE Code 62</p>	<p>DFL3 P748</p>  <p>Split Flange SAE Code 61</p>
<p>DFL6 P749</p>  <p>Split Flange SAE Code 62</p>	<p>DFL3BP P750</p>  <p>4 Bolt Thread Flange, BSPP Female Code 61</p>	<p>DFL6BP P751</p>  <p>4 Bolt Thread Flange, BSPP Female Code 62</p>
<p>DFLB3 P752</p>  <p>Blind Flanges Zero Pressure SAE Code 61</p>	<p>DFLB6 P753</p>  <p>Blind Flanges Zero Pressure SAE Code 62</p>	<p>DFLBP3 P754</p>  <p>Blind Flanges Low Pressure SAE Code 61</p>
<p>DFLBP6 P755</p>  <p>Blind Flanges Low Pressure SAE Code 62</p>	<p>DAJCM1334 P756</p>  <p>Straight JIC Male 74° - Flange SAE Code 61</p>	<p>DAJCM1364 P757</p>  <p>Straight Connector JIC Male - Flange SAE Code 62</p>

<p>DAUNM1334 P758</p>  <p>Straight Connector SAE Male + O Ring - Flange SAE Code 61</p>	<p>DAUNM1364 P759</p>  <p>Straight Connector SAE Male + O Ring - Flange SAE Code 62</p>	<p>DAOF51334 P760</p>  <p>Straight Connector ORFS Male - Flange SAE Code 61</p>
<p>DAOF51364 P761</p>  <p>Straight Connector ORFS Male - Flange SAE Code 62</p>	<p>DABPM1334 P762</p>  <p>Straight Connector BSPP Male 60° - Flange SAE Code 61</p>	<p>DABPM1364 P763</p>  <p>Straight Connector BSPP Male 60° - Flange SAE Code 62</p>
<p>DFLOP3 P764</p>  <p>SAE Flange Plug with O Ring Code 61</p>	<p>DFLOP6 P765</p>  <p>SAE Flange Plug with O Ring Code 62</p>	<p>DAJCM4334 P767</p>  <p>45° Forged Elbows JIC Male 74° - Flange SAE Code 61</p>
<p>DAJCM4334-B P768</p>  <p>45° Swept Elbows JIC Male 74° - Flange SAE Code 61</p>	<p>DAJCM4364 P769</p>  <p>45° Forged Elbow JIC Male 74° - Flange SAE Code 62</p>	<p>DAJCM4364-B P770</p>  <p>45° Swept Elbow JIC Male 74° - Flange SAE Code 62</p>

DAOF54334

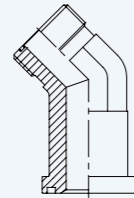
P771



45° Forged Elbows ORFS Male
- Flange SAE Code 61

DAOF54364

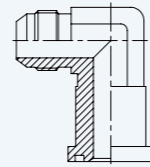
P772



45° Forged Elbows ORFS Male
- Flange SAE Code 62

DAJCM9334

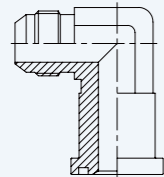
P773



90° Forged Elbow JIC Male 74°
- Flange SAE Code 61

DAJCM9364

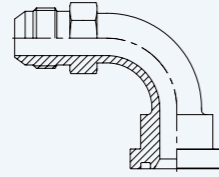
P774



90° Forged Elbow JIC Male 74°
- Flange SAE Code 62

DAJCM9334-B

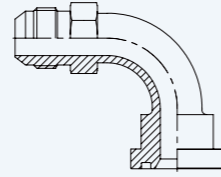
P775



90° Swept Elbows JIC Male 74°
- Flange SAE Code 61

DAJCM9364-B

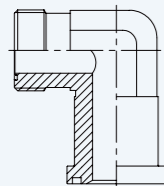
P776



90° Swept Elbows JIC Male 74°
- Flange SAE Code 62

DAOF59334

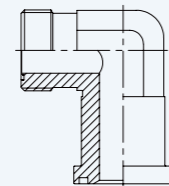
P777



90° Forged Elbow ORFS Male
- Flange SAE Code 61

DAOF59364

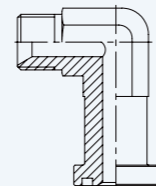
P778



90° Forged Elbow ORFS Male
- Flange SAE Code 62

DABPM9334

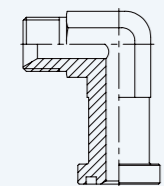
P779



90° Forged Elbow ORFS Male
- Flange SAE Code 62

DABPM9364

P780



90° Forged Elbows BSPP Male 60°
- Flange SAE Code 62

DFLC3

Captive Flange SAE Code 61

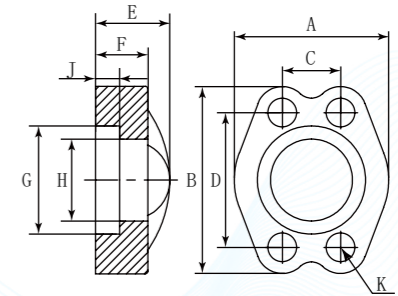
D	FL	C	3
Company	Product Range	Flange Type	Flange Series
DME	Flange	Captive	SAE Code 61

German Technology Equipment

SHIELD FLEX

New-Standard

- DME&JDE Code: **DFLC3**
- Product Type: **Flange**
- Flange Type: **Captive flange**
- Connection Type: **Flange Code 61**



PART NUMBER	Flange Size	A	B	C	D	E	F	G	H	J	K
#		mm	mm	mm	mm	mm	mm	mm	mm	mm	mm
DFLC3-08	0.5	46	53.8	17.48	38.1	19.1	12.7	30.96	24.3	6.22	8.7
DFLC3-12	0.75	52.3	65	22.23	47.63	22.4	14.2	39.89	32.1	6.22	10.3
DFLC3-16	1	58.7	69.9	26.19	52.37	23.9	15.7	45.24	38.5	7.49	10.3
DFLC3-20	1.25	73.2	79.2	30.18	58.72	22.4	14.2	51.59	43.7	7.49	11.9
DFLC3-24	1.5	82.6	93.7	35.71	69.85	25.4	15.7	61.11	50.8	7.49	13.5
DFLC3-32	2	96.8	101.6	42.88	77.77	26.2	15.7	72.24	62.7	9.02	13.5
DFLC3-40	2.5	108.7	114.3	50.8	88.9	38.1	19.1	84.94	74.9	9.02	13.5
DFLC3-48	3	131.1	134.9	61.93	106.38	41.1	22.4	102.39	90.9	9.02	16.7
DFLC3-56	3.5	139.7	152.4	69.85	120.65	28.4	22.4	115.09	102.4	10.72	16.7
DFLC3-64	4	152.4	162.1	77.77	130.18	35.1	25.4	127.79	115.1	10.72	16.7

DFLC6

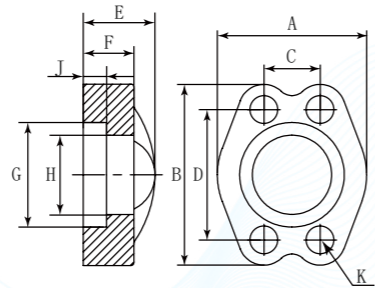
Captive Flange SAE Code 62

D	FL	C	6
Company	Product Range	Flange Type	Flange Series
DME	Flange	Captive	SAE Code 62

German Technology Equipment

SHIELD FLEX

New-Standard



- DME&JDE Code: DFCL6
- Product Type: Flange
- Flange Type: Captive flange
- Connection Type: Flange Code 62

PART NUMBER	Flange Size	A	B	C	D	E	F	G	H	J	K
#		mm	mm	mm	mm	mm	mm	mm	mm	mm	mm
DFCL6-08	0.5	47.2	56.4	18.24	40.49	22.4	15.7	32.54	24.6	7.24	8.7
DFCL6-12	0.75	60.5	71.4	23.83	50.8	28.4	19.1	42.06	32.5	8.26	10.3
DFCL6-16	1	69.9	81	27.79	57.15	33.3	23.9	48.41	38.9	9.02	11.9
DFCL6-20	1.25	77.7	95.3	31.75	66.68	38.1	26.9	54.76	44.5	9.78	13.5
DFCL6-24	1.5	95.3	112.8	36.53	79.38	42.9	30.2	64.29	51.6	12.07	16.7
DFCL6-32	2	114.3	133.4	44.45	96.82	52.3	36.6	80.16	67.6	12.07	19.8

DFL3

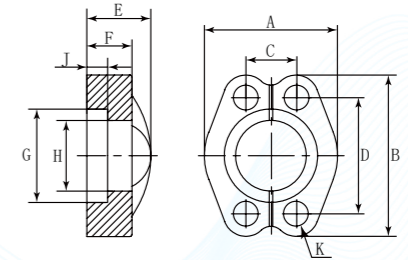
Split Flange SAE Code 61

D	FL	3
Company	Product Range	Flange Series
DME	Flange	SAE Code 61

German Technology Equipment

SHIELD FLEX

New-Standard



- DME&JDE Code: DFL3
- Product Type: Flange
- Flange Type: Split flange
- Connection Type: Flange Code 61

PART NUMBER	Flange Size	A	B	C	D	E	F	G	H	J	K
#		mm	mm	mm	mm	mm	mm	mm	mm	mm	mm
DFL3-08	0.5	45.97	5385.00	17.48	38.10	19.05	12.70	30.96	24.26	6.22	9.00
DFL3-12	0.75	52.32	65.02	22.25	47.63	22.35	14.22	38.89	32.13	6.22	11.00
DFL3-16	1	58.67	69.85	26.16	52.30	23.88	15.75	45.24	38.48	7.49	11.00
DFL3-20	1.25	73.15	79.25	30.18	58.72	22.35	14.22	51.59	43.69	7.49	12.00
DFL3-24	1.5	82.55	93.73	35.71	69.85	25.40	15.75	61.11	50.80	7.49	13.50
DFL3-32	2	96.77	101.60	42.88	77.77	26.16	15.75	72.24	62.74	9.02	13.50
DFL3-40	2.5	108.71	114.30	50.80	88.90	38.10	19.05	84.94	74.93	9.02	13.50
DFL3-48	3	131.06	134.87	61.93	106.38	42.40	22.35	102.39	90.93	9.02	17.50



DFL6

Split Flange SAE Code 62

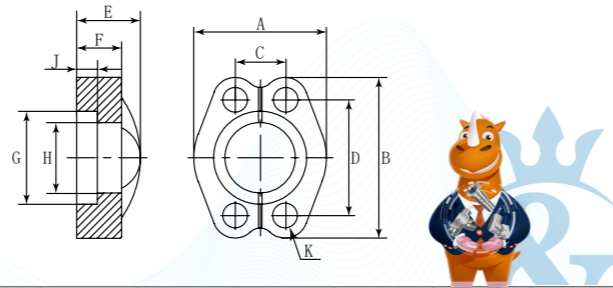
D	FL	6
Company	Product Range	Flange Series
DME	Flange	SAE Code 62

German Technology Equipment

SHIELD FLEX

New-Standard

- DME&JDE Code: **DFL6**
- Product Type: **Flange**
- Flange Type: **Split flange**
- Connection Type: **Flange Code 62**



PART NUMBER	Flange Size	A	B	C	D	E	F	G	H	J	K
#		mm	mm	mm	mm	mm	mm	mm	mm	mm	mm
DFL6-08	0.5	47.19	56.39	18.24	40.49	22.35	15.75	32.54	24.64	7.24	9.00
DFL6-12	0.75	59.89	71.37	23.83	50.8	28.45	19.05	42.06	32.51	8.26	11.00
DFL6-16	1	69.44	81.03	27.79	57.15	33.27	23.88	48.41	38.86	9.02	13.00
DFL6-20	1.25	76.96	95.25	31.75	66.68	38.1	26.92	54.76	44.45	9.78	15.00
DFL6-24	1.5	94.95	112.78	36.53	79.38	42.93	30.23	64.29	51.56	12.07	17.00
DFL6-32	2	113.54	133.35	44.45	96.82	52.32	36.58	80.16	67.56	12.07	21.00

Web: <https://www.dmejde.com>
E-mail: info@dmejde.com



DFL3BP

4 Bolt Thread Flange, BSPP Female Code 61

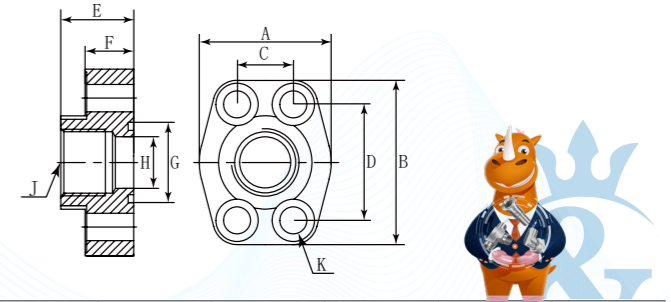
D	FL	3	BP
Company	Product Range	Flange Series	Thread types
DME	Flange	SAE Code 61	BSPP

German Technology Equipment

SHIELD FLEX

New-Standard

- DME&JDE Code: **DFL3BP**
- Product Type: **Flange**
- Flange Type: **4 bolt thread captive flange**
- Connection Type: **Flange Code 61**
- Thread Types: **BSPP female**



PART NUMBER	A	B	C	D	E	F	G	H	J (Thread)
#	BSP	Inch	mm	mm	mm	mm	mm	mm	BSPP
DFL3BP-08	46	54.1	17.48	38.1	36.1	16	25.4	12.7	1/2"-14
DFL3BP-12	51.6	65	22.23	47.63	36	18	31.75	19.1	3/4"-14
DFL3BP-16	57.9	70	26.19	52.37	38	18	39.62	25.45	1"-11
DFL3BP-20	72.3	79	30.18	58.72	41	21	44.45	31.8	1-1/4"-11
DFL3BP-24	81.8	93.5	35.71	69.85	45	25	53.72	38.15	1-1/2"-11
DFL3BP-32	95.3	101.6	42.88	77.77	45	25	63.25	50.85	2"-11

Web: <https://www.dmejde.com>
E-mail: info@dmejde.com



DFL6BP

4 Bolt Thread Flange, BSPP Female Code 62

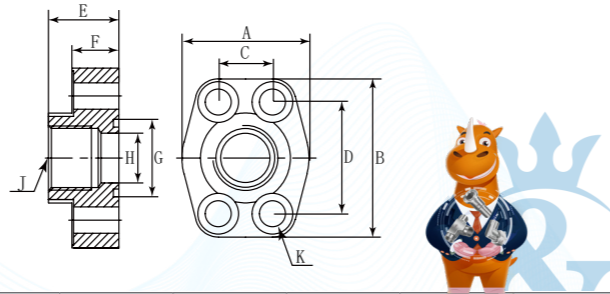
D	FL	6	BP
Company	Product Range	Flange Series	Thread types
DME	Flange	SAE Code 62	BSPP

German Technology Equipment

SHIELD FLEX

New-Standard

- DME&JDE Code: **DFL6BP**
- Product Type: **Flange**
- Flange Type: **4 bolt thread captive flange**
- Connection Type: **Female Code 62**
- Thread Types: **BSPP female**



PART NUMBER	A	B	C	D	E	F	G	H	J (Thread)
#	BSP	Inch	mm	mm	mm	mm	mm	mm	BSPP
DFL6BP-08	46	56.1	18.24	40.49	36.1	16	25.4	12.75	1/2"-14
DFL6BP-12	60	71	23.8	50.8	35	21	31.75	19.1	3/4"-14
DFL6BP-16	70	81	27.76	57.15	42	25	39.62	25.45	1"-11
DFL6BP-20	78	95	31.75	66.68	45	27	44.45	31.8	1-1/4"-11
DFL6BP-24	95	112.5	36.5	79.38	50	30	53.72	38.1	1-1/2"-11
DFL6BP-32	114	132.5	44.45	96.82	65	37	63.25	50.85	2"-11

DFLB3

Blind Flanges Zero Pressure SAE Code 61

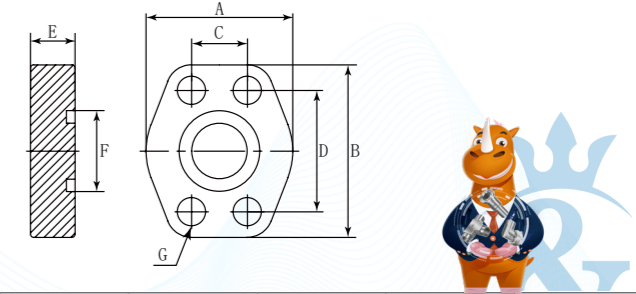
D	FL	B	3
Company	Product Range	Flange Series	Flange Series
DME	Flange	Blind	SAE Code 61

German Technology Equipment

SHIELD FLEX

New-Standard

- DME&JDE Code: **DFLB3**
- Product Type: **Flange**
- Flange Type: **Blind flange**
- Connection Type: **Flange Code 61**



PART NUMBER	A	B	C	D	E	F	G	Cross Number
#	mm	mm	mm	mm	mm	mm	mm	
DFLB3-08	46	54.1	17.48	38.1	14	25.4	9	AX3-08
DFLB3-12	52.32	65.02	22.23	47.63	14	31.75	11	AX3-12
DFLB3-16	58.67	69.85	26.19	52.4	16	39.62	11	AX3-16
DFLB3-20	73.15	79.25	30.18	58.76	14	44.45	12	AX3-20
DFLB3-24	82.55	93.73	35.71	69.85	16	53.72	13.49	AX3-24
DFLB3-32	96.77	101.6	42.88	77.8	16	63.25	13.49	AX3-32
DFLB3-40	108.71	114.3	50.8	88.9	19	76.07	13.49	AX3-40
DFLB3-48	131.06	134.87	61.93	106.38	22	91.82	17.5	AX3-48



DFLB6

Blind Flanges Zero Pressure SAE Code 62

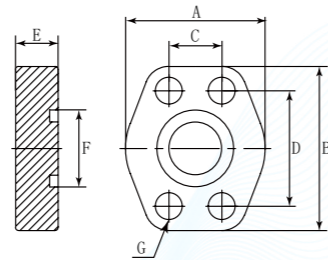
D	FL	B	6
Company	Product Range	Flange Type	Flange Series
DME	Flange	Blind	SAE Code 62

German Technology Equipment

SHIELD FLEX

New-Standard

- DME&JDE Code: **DFLB6**
- Product Type: **Flange**
- Flange Type: **Blind flange**
- Connection Type: **Flange Code 62**



PART NUMBER	A	B	C	D	E	F	G	Cross Number
#	mm	mm	mm	mm	mm	mm	mm	
DFLB6-08	49.3	56.5	18.2	40.5	14	25.5	9	AX6-08
DFLB6-12	63.5	71.37	23.8	50.8	19	31.75	11	AX6-12
DFLB6-16	69.85	81.03	27.76	57.15	24	39.62	13	AX6-16
DFLB6-20	77.72	95.25	31.75	66.68	27	44.45	15	AX6-20
DFLB6-24	95.25	112.78	36.5	79.38	30	53.72	17	AX6-24
DFLB6-32	114.3	133.35	44.45	96.82	37	63.25	21	AX6-32

DFLBP3

Blind Flanges Low Pressure SAE Code 61

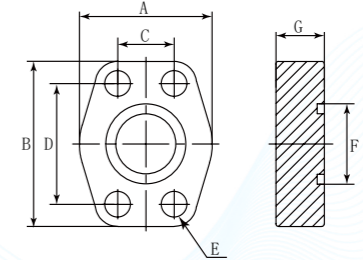
D	FL	B	P	3
Company	Product Range	Flange Type	Flange Pressure Type	Flange Series
DME	Flange	Blind	Low Pressure	SAE Code 61

German Technology Equipment

SHIELD FLEX

New-Standard

- DME&JDE Code: **DFLBP3**
- Product Type: **Flange**
- Flange Type: **Blind flange**
- Connection Type: **Flange Code 61**



PART NUMBER	A	B	C	D	E	F	G	Cross Number
#	mm	mm	mm	mm	mm	mm	mm	
DFLBP3-08	46	54.1	17.48	38.1	14	25.4	19.05	
DFLBP3-12	52.4	65.1	22.23	47.63	11	31.75	19.05	
DFLBP3-16	58.75	69.85	26.19	52.4	11	39.62	22.35	
DFLBP3-20	73.03	79.38	30.18	58.76	12	44.45	23.88	
DFLBP3-24	82.55	93.68	35.71	69.85	13.5	53.72	30.23	
DFLBP3-32	96.85	101.6	42.88	77.8	13.5	63.25	36.58	



DFLBP6

Blind Flanges Low Pressure SAE Code 62

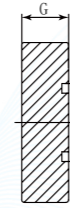
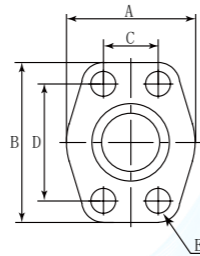
D	FL	B	P	6
Company	Product Range	Flange Type	Flange Pressure Type	Flange Series
DME	Flange	Blind	Low Pressure	SAE Code 62

German Technology Equipment

SHIELD FLEX

New-Standard

- DME&JDE Code: **DFLBP6**
- Product Type: **Flange**
- Flange Type: **Blind flange**
- Connection Type: **Flange Code 62**



PART NUMBER	A	B	C	D	E	F	G
#	mm	mm	mm	mm	mm	mm	mm
DFLBP6-08	49.3	56.5	18.2	40.5	14	25.5	31.75
DFLBP6-12	63.5	74.93	23.8	50.8	11	31.75	31.75
DFLBP6-16	69.85	81.03	27.76	57.15	13	39.62	38.1
DFLBP6-20	77.72	95.25	31.75	66.68	15	44.45	39.75
DFLBP6-24	95.25	112.78	36.5	79.38	17	53.72	46.1
DFLBP6-32	114.3	133.35	44.45	96.82	21	63.25	46.1

DAJCM1334

Straight JIC Male 74° – Flange SAE Code 61

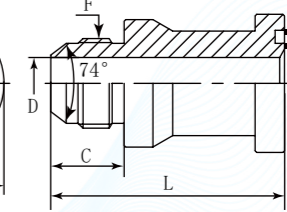
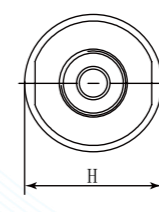
D	A	JC	M	1	3	3	4
Company	Product Range	Flange Types	Connection Type	Adaptor Structure	Adaptor Type	Flange Series	Flange Head Type
DME	Adaptor	JIC	Male	Straight	Flange	SAE Code 61	Slip Flange Head

German Technology Equipment

SHIELD FLEX

New-Standard

- DME&JDE Code: **DAJCM1334**
- Product Type: **Hydraulic adaptor, Flange**
- Standard: **JIC**
- Structure: **Straight**
- Connection Types: **Male x Flange SAE Code 61**
- Thread Types: **JIC 74° Cone x SAE Code 61 Flange**



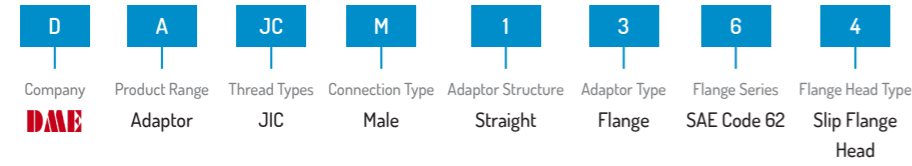
PART NUMBER	F (Thread)	C	D	L	S
#	UNF	mm	mm	mm	mm
DAJCM1334-0808	3/4"-16	16.69	10	66.04	28.5
DAJCM1334-0812	3/4"-16	16.69	10	69.85	34.85
DAJCM1334-1212	1-1/16"-12	21.95	15.52	69.85	34.85
DAJCM1334-1216	1-1/16"-12	21.95	15.52	71.12	41.2
DAJCM1334-1220	1-1/16"-12	21.95	15.52	69.93	44.37
DAJCM1334-1224	1-1/16"-12	21.95	15.52	83.34	53.9
DAJCM1334-1616	1-5/16"-12	23.14	21.44	71.12	41.2
DAJCM1334-1620	1-5/16"-12	23.14	21.44	71.12	44.37
DAJCM1334-1624	1-5/16"-12	23.14	21.44	84.53	53.9
DAJCM1334-1632	1-5/16"-12	23.14	21.44	90.25	66.6
DAJCM1334-2020	1-5/8"-12	24.3	27.38	71.1	44.37
DAJCM1334-2032	1-5/8"-12	24.33	27.38	91.44	66.6
DAJCM1334-2420	1-7/8"-12	27.51	33.48	86.36	47.55
DAJCM1334-2424	1-7/8"-12	27.51	33.48	88.9	53.9
DAJCM1334-2432	1-7/8"-12	27.51	33.48	94.62	66.6
DAJCM1334-3224	2-1/2"-12	33.86	38.1	106.68	66.6
DAJCM1334-3232	2-1/2"-12	33.86	45.24	100.97	66.6

Certificate: **ISO 9001** **ISO 14001** **MSHA** **DAkks** **DEKRA** **DIN** **SE** **MA** **USF**

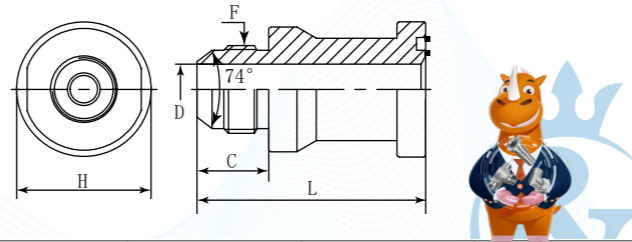


DAJCM1364

Straight Connector JIC Male – Flange SAE Code 62



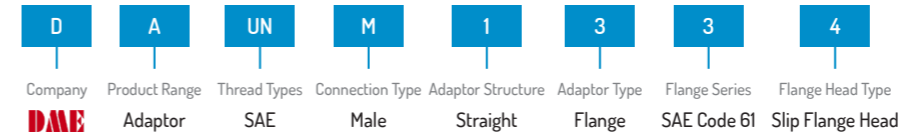
- DME&JDE Code: **DAJCM1364**
- Product Type: **Hydraulic adaptor, Flange**
- Standard: **JIC**
- Structure: **Straight**
- Connection Types: **Male × Flange SAE Code 62**
- Thread Types: **UNF 74° Cone × SAE Code 62 Flange**



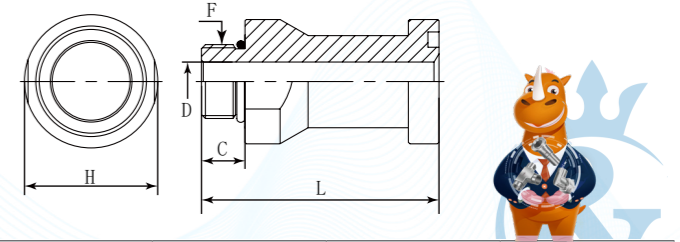
PART NUMBER	F (Thread)	C	D	L	S
#	UNF	mm	mm	mm	mm
DAJCM1364-0808	3/4"-16	16.69	10.82	66.19	28.5
DAJCM1364-0812	3/4"-16	16.69	10.82	56.64	34.85
DAJCM1364-1212	1-1/16"-12	21.95	15.52	69.85	34.85
DAJCM1364-1216	1-1/16"-12	21.95	15.52	71.12	41.2
DAJCM1364-1612	1-5/16"-12	23.1	15.52	69.9	34.85
DAJCM1364-1616	1-5/16"-12	23.1	21.44	71.1	41.2
DAJCM1364-1620	1-5/16"-12	23.14	21.44	77.47	44.37
DAJCM1364-1624	1-5/16"-12	23.14	21.44	87.71	53.9
DAJCM1364-2016	1-5/8"-12	24.33	27.38	71.12	41.2
DAJCM1364-2020	1-5/8"-12	24.3	27.38	77.5	44.37
DAJCM1364-2024	1-5/8"-12	24.33	27.38	88.9	53.9
DAJCM1364-2420	1-7/8"-12	27.5	27.38	83.8	47.55
DAJCM1364-2424	1-7/8"-12	27.51	33.48	88.9	53.9
DAJCM1364-2432	1-7/8"-12	27.51	33.48	100.97	66.6
DAJCM1364-3224	2-1/2"-12	33.86	38.1	125.48	66.6
DAJCM1364-3232	2-1/2"-12	33.86	45.24	107.32	66.6

DAUNM1334

Straight Connector SAE Male + O Ring – Flange SAE Code 61



- DME&JDE Code: **DAUNM1334**
- Product Type: **Hydraulic adaptor, Flange**
- Standard: **Straight**
- Connection Types: **Male × Flange SAE Code 61**
- Thread Types: **UNF + O Ring × SAE Code 61 Flange**
- Sealing Method: **O Ring**



PART NUMBER	F (Thread)	C	D	L	H
#	UNF	mm	mm	mm	mm
DAUNM1334-0808	3/4"-16	14	10.72	63.2	28.5
DAUNM1334-1212	1-1/16"-12	18.49	16.66	66.4	34.85
DAUNM1334-1616	1-5/16"-12	18.49	22.23	66.4	41.2
DAUNM1334-2020	1-5/8"-12	18.49	27.76	79.6	47.55
DAUNM1334-2424	1-7/8"-12	18.49	34.14	79.86	53.9
DAUNM1334-3232	2-1/2"-12	18.49	46.05	92.3	69.77



DAUNM1364

Straight Connector SAE Male + O Ring – Flange SAE Code 62

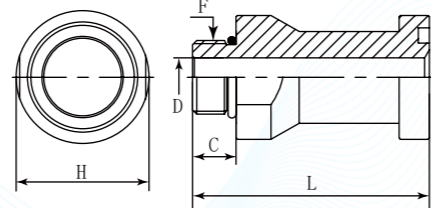
German Technology Equipment



New-Standard

- D** Company: **DME**
- A** Product Range: Adaptor
- UN** Thread Types: SAE
- M** Connection Type: Male
- 1** Adaptor Structure: Straight
- 3** Adaptor Type: Flange
- 6** Flange Series: SAE Code 62
- 4** Flange Head Type: Slip Flange Head

- DME&JDE Code:** DAUNM1364
- Product Type:** Hydraulic adaptor, Flange
- Standard:** SAE
- Structure:** Straight
- Connection Types:** Male x Flange SAE Code 62
- Thread Types:** UNF + O Ring x SAE Code 62 Flange



PART NUMBER	F (Thread)	C	D	L	H
#	UNF	mm	mm	mm	mm
DAUNM1364-0808	3/4"-16	14	9.93	63.5	28.5
DAUNM1364-1212	1-1/16"-12	18.49	15.47	66.55	34.85
DAUNM1364-1612	1-5/16"-12	18.49	15.52	66.6	34.85
DAUNM1364-1616	1-5/16"-12	18.49	21.44	66.6	41.2
DAUNM1364-2020	1-5/8"-12	18.49	27.38	76.2	47.55
DAUNM1364-2424	1-7/8"-12	18.49	33.32	81.03	53.9
DAUNM1364-3232	2-1/2"-12	18.49	45.24	95.25	69.77



DAOF51334

Straight Connector ORFS Male – Flange SAE Code 61

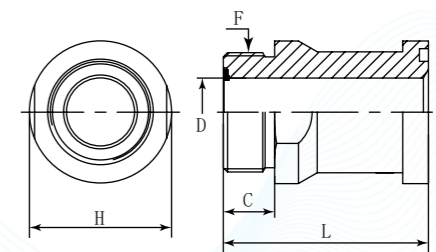
German Technology Equipment



New-Standard

- D** Company: **DME**
- A** Product Range: Adaptor
- OF** Thread Types: ORFS
- 5** Connection Type: Male
- 1** Adaptor Structure: Straight
- 3** Adaptor Type: Flange
- 3** Flange Series: SAE Code 61
- 4** Flange Head Type: Slip Flange Head

- DME&JDE Code:** DAOF51334
- Product Type:** Hydraulic adaptor, Flange
- Standard:** ORFS
- Structure:** Straight
- Connection Types:** Male x Flange SAE Code 61
- Thread Types:** UNF x SAE Code 61 Flange



PART NUMBER	F (Thread)	C	D	L	H
#	UNF	mm	mm	mm	mm
DAOF51334-0808	13/16"-16	13	9.5	62.35	28.5
DAOF51334-1212	1-3/16"-12	16.99	15.49	69.85	34.85
DAOF51334-1216	1-3/16"-12	16.99	15.49	71.12	41.2
DAOF51334-1612	1-7/16"-12	17.5	15.49	69.85	41.2
DAOF51334-1616	1-7/16"-12	17.5	20.6	71.1	41.2
DAOF51334-1620	1-7/16"-12	17.5	20.5	71.1	44.37
DAOF51334-2020	1-11/16"-12	17.5	26	64.3	44.37
DAOF51334-2024	1-11/16"-12	17.5	26	88.9	53.9
DAOF51334-2424	2"-12	17.5	32	88.9	53.9
DAOF51334-2432	2"-12	17.5	32	84.61	66.6
DAOF51334-3232	1-1/2"-12	22.25	45	89.36	66.6



DAOF51364

Straight Connector ORFS Male – Flange SAE Code 62

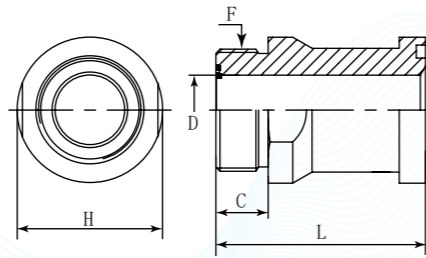
German Technology Equipment

SHIELD FLEX

New-Standard

- D**
Company
DME
- A**
Product Range
Adaptor
- OF**
Thread Types
ORFS
- 5**
Connection Type
Male
- 1**
Adaptor Structure
Straight
- 3**
Adaptor Type
Flange
- 6**
Flange Series
SAE Code 62
- 4**
Flange Head Type
Slip Flange Head

- DME&JDE Code:** DAOF51364
- Product Type:** Hydraulic adaptor, Flange
- Standard:** ORFS
- Structure:** Straight
- Connection Types:** Male × Flange SAE Code 62
- Thread Types:** ORFS UNF × SAE Code 62 Flange



PART NUMBER	F (Thread)	C	D	L	H
#	UNF	mm	mm	mm	mm
DAOF51364-0808	13/16"-16	13	9.5	62.5	28.5
DAOF51364-1212	1-3/16"-12	17.02	15.47	69.9	34.85
DAOF51364-1216	1-3/16"-12	16.99	15.49	71.12	41.2
DAOF51364-1612	1-7/16"-12	17.5	15.47	69.85	41.2
DAOF51364-1616	1-7/16"-12	17.5	20.6	72.6	41.2
DAOF51364-1620	1-7/16"-12	17.5	20.6	77.5	44.37
DAOF51364-2020	1-11/16"-12	17.5	26	77.5	44.37
DAOF51364-2424	2"-12	17.5	32	88.9	53.9
DAOF51364-3232	2-1/2"-12	22.25	45	89.36	66.6

Web: <https://www.dmejde.com>
E-mail: info@dmejde.com



DABPM1334

Straight Connector BSPP Male 60° – Flange SAE Code 61

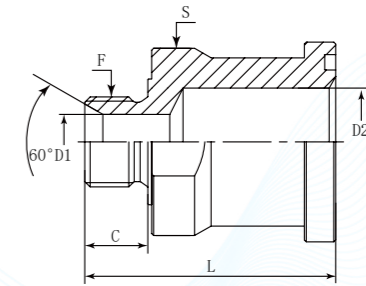
German Technology Equipment

SHIELD FLEX

New-Standard

- D**
Company
DME
- A**
Product Range
Adaptor
- BP**
Thread Types
BSPP
- M**
Connection Type
Male
- 1**
Adaptor Structure
Straight
- 3**
Adaptor Type
Flange
- 3**
Flange Series
SAE Code 61
- 4**
Flange Head Type
Slip Flange Head

- DME&JDE Code:** DABPM1334
- Product Type:** Hydraulic adaptor, Flange
- Standard:** BSPP
- Structure:** Straight
- Connection Types:** Male × Flange SAE Code 61
- Thread Types:** BSPP 60° Cone × SAE Code 61 Flange



PART NUMBER	F (Thread)	C	D1	D2	L	S
#	BSPP	mm	mm	mm	mm	mm
DABPM1334-0808	1/2"-14	14	10	10	64.35	29
DABPM1334-1212	3/4"-14	16	16.7	16.7	64.9	32
DABPM1334-1220	3/4"-14	16	16.7	27.38	53.8	50
DABPM1334-1616	1"-11	19	22.2	22.2	68	41
DABPM1334-2020	1-1/4"-11	20	28.6	28.6	67.8	50
DABPM1334-2424	1-1/2"-11	22	33.3	33.3	84.4	55
DABPM1334-3232	2"-11	25	46	46	92.1	67
DABPM1334-3240	2"-11	25	46	46	95	70

Web: <https://www.dmejde.com>
E-mail: info@dmejde.com



DABPM1364

Straight Connector BSPP Male 60° – Flange SAE Code 62

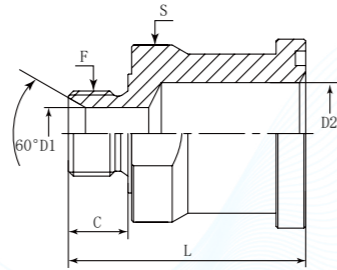
German Technology Equipment

SHIELD FLEX

New-Standard

- D** Company: **DME**
- A** Product Range: Adaptor
- BP** Thread Types: BSPP
- M** Connection Type: Male
- 1** Adaptor Structure: Straight
- 3** Adaptor Type: Flange
- 6** Flange Series: SAE Code 62
- 4** Flange Head Type: Slip Flange Head

- DME&JDE Code:** DABPM1364
- Product Type:** Hydraulic adaptor, Flange
- Standard:** BSPP
- Structure:** Straight
- Connection Types:** Male × Flange SAE Code 62
- Thread Types:** BSPP 60° Cone × SAE Code 62 Flange



PART NUMBER	F (Thread)	C	D1	D2	L	S
#	BSPP	mm	mm	mm	mm	mm
DABPM1364-0808	1/2"-14	14	10	10	64.35	28.5
DABPM1364-1212	3/4"-14	16	16.7	16.7	63.9	34.85
DABPM1364-1220	3/4"-14	16	16.7	27.38	70.2	44.37
DABPM1364-1616	1"-11	19	22.2	22.2	68	41.2
DABPM1364-2020	1-1/4"-11	20	28.6	28.6	74.2	50
DABPM1364-2424	1-1/2"-11	22	33.3	33.3	86.6	55
DABPM1364-3232	2"-11	25	46	46	99.5	67
DABPM1364-3240	2"-11	25	46	46	95	70

DFLOP3

SAE Flange Plug with O Ring Code 61

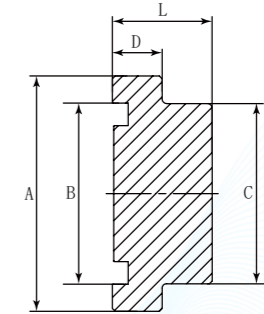
German Technology Equipment

SHIELD FLEX

New-Standard

- D** Company: **DME**
- FL** Product Range: Flange
- OP** Flange Type: Plug with O Ring
- 3** Flange Series: Code 61

- DME&JDE Code:** DFLOP3
- Product Type:** Flange
- Flange Type:** Plug with O Ring flange
- Connection Type:** Flange Code 61



PART NUMBER	A	B	C	D	L
#	mm	mm	mm	mm	mm
DFLOP3-08	30.2	25.4	24	6.8	16
DFLOP3-12	38.1	31.75	31.75	6.73	14.22
DFLOP3-16	44.45	39.62	37.97	8	14.22
DFLOP3-20	50.8	44.45	43.05	8	14.22
DFLOP3-24	60.33	53.72	50.17	8	15.75
DFLOP3-32	71.42	63.25	62.2	9.53	15.75
DFLOP3-40	84.1	75.3	74	9.6	40



DFLOP6

SAE Flange Plug with O Ring Code 62

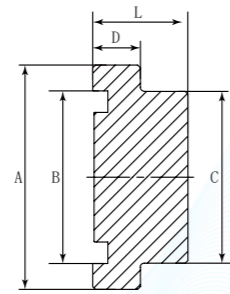
D	FL	OP	6
Company	Product Range	Flange Type	Flange Series
DME	Flange	Plug with O Ring	Code 62

German Technology Equipment

SHIELD FLEX

New-Standard

- DME&JDE Code: **DFLOP6**
- Product Type: **Flange**
- Flange Type: **Plug with O Ring flange**
- Connection Type: **Flange Code 61**



PART NUMBER	A	B	C	D	L
#	mm	mm	mm	mm	mm
DFLOP6-08	31.8	25.4	24	7.8	18
DFLOP6-12	41.28	31.75	31.75	8.76	17.53
DFLOP6-16	47.63	39.62	38.1	9.53	20.57
DFLOP6-20	53.98	44.45	43.6	10.29	25.4
DFLOP6-24	63.5	53.72	50.55	12.57	30.23
DFLOP6-32	79.38	63.25	66.42	12.57	38.1



DAJCM4334

45° Forged Elbows JIC Male 74° – Flange SAE Code 61

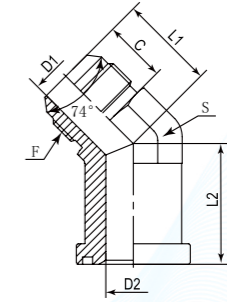
D	A	JC	M	4	3	3	4
Company	Product Range	Thread Types	Connection Type	Adaptor Structure	Adaptor Type	Flange Series	Flange Head Type
DME	Adaptor	JIC	Male	45° Elbow	Flange	SAE Code 61	Slip Flange Head

German Technology Equipment

SHIELD FLEX

New-Standard

- DME&JDE Code: **DAJCM4334**
- Product Type: **Hydraulic adaptor, Flange**
- Standard: **JIC**
- Structure: **45° Forged Elbow**
- Connection Types: **Male × Flange SAE Code 61**
- Thread Types: **JIC 74° Cone × SAE Code 61 Flange**



PART NUMBER	F (Thread)	C	D1	D2	L1	L2	S
#	UNF	mm	mm	mm	mm	mm	mm
DAJCM4334-1212	1-1/16"-12	29.50	33.48	33.48	45.00	60.50	47.63
DAJCM4334-1216	1-1/16"-12	24.33	15.52	21.44	37.30	47.00	33.30
DAJCM4334-1616	1-5/16"-12	24.33	21.44	21.44	37.30	47.00	33.30
DAJCM4334-1624	1-5/16"-12	24.33	21.44	33.48	41.50	60.50	47.63
DAJCM4334-2020	1-5/8"-12	25.00	27.38	27.38	40.38	51.82	41.28
DAJCM4334-2424	1-7/8"-12	29.50	33.48	33.48	45.00	60.50	47.63
DAJCM4334-3232	2-1/2"-12	35.00	45.24	45.24	56.39	76.20	63.50



DAJCM4334-B

45° Swept Elbows JIC Male 74° – Flange SAE Code 61

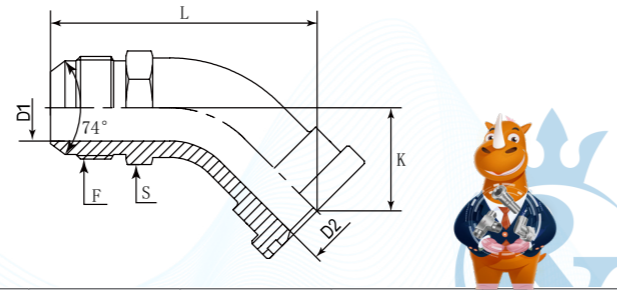
D	A	JC	M	4	3	3	4	B
Company	Product Range	Thread Types	Connection Type	Adaptor Structure	Adaptor Type	Flange Series	Flange Head Type	Elbow Type
DME	Adaptor	JIC	Male	45° Elbow	Flange	SAE Code 61	Slip Flange Head	Swept

German Technology Equipment

SHIELD FLEX

New-Standard

- DME&JDE Code: **DAJCM4334-B**
- Product Type: **Hydraulic adaptor, Flange**
- Standard: **JIC**
- Structure: **45° Swept Elbows**
- Connection Types: **Male × Flange SAE Code 61**
- Thread Types: **JIC 74° Cone × SAE Code 61 Flange**



PART NUMBER	F (Thread)	D1	D2	L	K	S
#	UNF	mm	mm	mm	mm	mm
DAJCM4334-0808B	3/4"-16	9.3	9.3	78	25	22.23
DAJCM4334-1212B	1-1/16"-12	15.52	15.52	80	26	28.58
DAJCM4334-1216B	1-1/16"-12	15.52	15.52	109	31.5	28.58
DAJCM4334-1612B	1-5/16"-12	15.52	15.52	112	31.5	34.93
DAJCM4334-1616B	1-5/16"-12	21	21	114.5	33.5	34.93
DAJCM4334-1620B	1-5/16"-12	21	21	123.2	35.4	34.93
DAJCM4334-2016B	1-5/8"-12	21	21	98	31	42.86
DAJCM4334-2024B	1-5/8"-12	27.38	27.38	108	37	42.86
DAJCM4334-3224B	2-1/2"-12	33.48	33.48	158	55	70
DAJCM4334-3232B	2-1/2"-12	45.24	45.24	158	56	70

Web: <https://www.dmejde.com>
E-mail: info@dmejde.com



DAJCM4364

45° Forged Elbow JIC Male 74° – Flange SAE Code 62

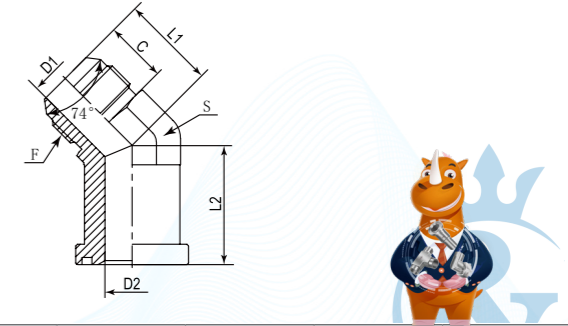
D	A	JC	M	4	3	6	4
Company	Product Range	Thread Types	Connection Type	Adaptor Structure	Adaptor Type	Flange Series	Flange Head Type
DME	Adaptor	JIC	Male	45° Elbow	Flange	SAE Code 62	Slip Flange Head

German Technology Equipment

SHIELD FLEX

New-Standard

- DME&JDE Code: **DAJCM4364**
- Product Type: **Hydraulic adaptor, Flange**
- Standard: **JIC**
- Structure: **45° Forged Elbow**
- Connection Types: **Male × Flange SAE Code 62**
- Thread Types: **JIC 74° Cone × SAE Code 62 Flange**



PART NUMBER	F (Thread)	C	D1	D2	L1	L2	S
#	UNF	mm	mm	mm	mm	mm	mm
DAJCM4364-1212	1-1/16"-12	24.5	15.52	15.52	32.5	40.5	27
DAJCM4364-1616	1-5/16"-12	23.14	21.44	21.44	38	47	33.3
DAJCM4364-2020	1-5/8"-12	25	27.38	27.38	40.4	51.8	41.28
DAJCM4364-2424	1-7/8"-12	29.5	33.48	33.48	45	60.5	47.63
DAJCM4364-3232	2-1/2"-12	35	45.24	45.24	56.39	76.5	63.5

Web: <https://www.dmejde.com>
E-mail: info@dmejde.com



DAJCM4364-B

45° Swept Elbow JIC Male 74° – Flange SAE Code 62

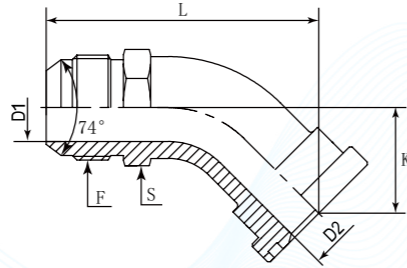
D	A	JC	M	4	3	6	4	B
Company	Product Range	Thread Types	Connection Type	Adaptor Structure	Adaptor Type	Flange Series	Flange Head Type	Elbow Type
DME	Adaptor	JIC	Male	45° Elbow	Flange	SAE Code 62	Slip Flange Head	Swept

German Technology Equipment

SHIELD FLEX

New-Standard

- DME&JDE Code: **DAJCM4364-B**
- Product Type: **Hydraulic adaptor, Flange**
- Standard: **JIC**
- Structure: **45° Swept Elbow**
- Connection Types: **Male × Flange SAE Code 62**
- Thread Types: **JIC 74° Cone × SAE Code 62 Flange**



PART NUMBER	F (Thread)	D1	D2	L	K	S
#	UNF	mm	mm	mm	mm	mm
DAJCM4364-1212B	1-1/16"-12	15.5	15.5	85	29	28.58
DAJCM4364-1220B	1-1/16"-12	15.47	15.47	95	42	28.57
DAJCM4364-1616B	1-5/16"-12	20	20	105	42	34.93
DAJCM4364-1620B	1-5/16"-12	21	21	118.6	44	34.93
DAJCM4364-1624B	1-5/16"-12	21.44	21.44	105	41	34.93
DAJCM4364-2016B	1-5/8"-12	20	20	122	42	42.86
DAJCM4364-2020B	1-5/8"-12	26	26	126	44	42.86
DAJCM4364-2024B	1-5/8"-12	27.38	27.38	118	46	42.86
DAJCM4364-2420B	1-7/8"-12	26	26	125	36	50.8



DAOF54334

45° Forged Elbows ORFS Male – Flange SAE Code 61

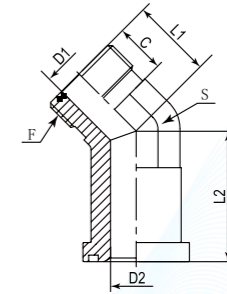
D	A	OF	5	4	3	3	4
Company	Product Range	Thread Types	Connection Type	Adaptor Structure	Adaptor Type	Flange Series	Flange Head Type
DME	Adaptor	ORFS	Male	45° Elbow	Flange	SAE Code 61	Slip Flange Head

German Technology Equipment

SHIELD FLEX

New-Standard

- DME&JDE Code: **DAOF54334**
- Product Type: **Hydraulic adaptor, Flange**
- Standard: **ORFS**
- Structure: **45° Elbow**
- Connection Types: **Male × Flange SAE Code 61**
- Thread Types: **ORFS UNF × SAE Code 61 Flange**



PART NUMBER	F1 (Thread)	C	D1	D2	L1	L2	S
#	UNF	mm	mm	mm	mm	mm	mm
DAOF54334-1212	1-3/16"-12	17.02	15.5	15.5	32.51	40.13	30.18
DAOF54334-1616	1-7/16"-12	17.5	20.6	20.6	38	47	33.3
DAOF54334-2020	1-11/16"-12	17.5	26	26	40	52	41.27
DAOF54334-2424	2"-12	17.5	32	32	45.2	60.5	47.63
DAOF54334-3232	2-1/2"-12	22.25	45	45	46	76.5	63.5



DAOF54364

45° Forged Elbows ORFS Male – Flange SAE Code 62

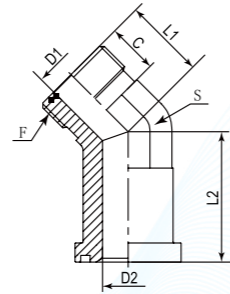
D	A	OF	5	4	3	6	4
Company	Product Range	Thread Types	Connection Type	Adaptor Structure	Adaptor Type	Flange Series	Flange Head Type
DME	Adaptor	ORFS	Male	45° Elbow	Flange	SAE Code 62	Slip Flange Head

German Technology Equipment

SHIELD FLEX

New-Standard

- DME&JDE Code: **DAOF54364**
- Product Type: **Hydraulic adaptor, Flange**
- Standard: **ORFS**
- Structure: **45° Swept Elbows**
- Connection Types: **Male x Flange SAE Code 62**
- Thread Types: **ORFS UNF x SAE Code 62 Flange**



PART NUMBER	F1 (Thread)	C	D1	D2	L1	L2	S
#	UNF	mm	mm	mm	mm	mm	mm
DAOF54364-1212	1-3/16"-12	17.02	15.5	15.5	32.51	40.13	30.18
DAOF54364-1616	1-7/16"-12	17.5	20.6	20.6	37.3	47	33.35
DAOF54364-2020	1-11/16"-12	17.5	26	26	40	52	41.27
DAOF54364-2424	2"-12	29.5	32	32	45.2	60.5	47.63
DAOF54364-3232	2-1/2"-12	22.25	45	45	46	76.5	63.5

Web: <https://www.dmejde.com>
E-mail: info@dmejde.com



DAJCM9334

90° Forged Elbow JIC Male 74° – Flange SAE Code 61

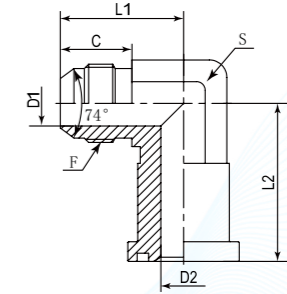
D	A	JC	M	9	3	3	4
Company	Product Range	Thread Types	Connection Type	Adaptor Structure	Adaptor Type	Flange Series	Flange Head Type
DME	Adaptor	JIC	Male	90° Elbow	Flange	SAE Code 61	Slip Flange Head

German Technology Equipment

SHIELD FLEX

New-Standard

- DME&JDE Code: **DAJCM9334**
- Product Type: **Hydraulic adaptor, Flange**
- Standard: **JIC**
- Structure: **90° Forged Elbow**
- Connection Types: **Male x Flange SAE Code 61**
- Thread Types: **JIC 74° Cone x SAE Code 61 Flange**



PART NUMBER	F (Thread)	C	D1	D2	L1	L2	S
#	UNF	mm	mm	mm	mm	mm	mm
DAJCM9334-0808	3/4"-16	16.7	10	10	37.08	54.1	22.23
DAJCM9334-0812	3/4"-16	24.5	10.01	15.52	42.16	54.1	27
DAJCM9334-1212	1-1/16"-12	24.5	15.52	15.52	42.16	54.1	26.97
DAJCM9334-1216	1-1/16"-12	24.5	15.52	21.44	46	60.2	33.33
DAJCM9334-1220	1-1/16"-12	24.5	15.52	27.38	50.04	66.55	41.28
DAJCM9334-1224	1-1/16"-12	29.5	15.52	33.48	59.2	80	47.63
DAJCM9334-1612	1-5/16"-12	24.5	15.52	15.52	42.2	54.1	27
DAJCM9334-1616	1-5/16"-12	24.33	21.44	21.44	45.97	60.2	33.33
DAJCM9334-1620	1-5/16"-12	24.33	21.44	27.38	52.32	66.55	41.27
DAJCM9334-1624	1-5/16"-12	25	21.44	33.48	59.18	80.01	47.63
DAJCM9334-2016	1-5/8"-12	24.33	21.44	21.44	45.97	60.2	33.35
DAJCM9334-2020	1-5/8"-12	25	27.38	27.38	52.32	66.55	41.28
DAJCM9334-2024	1-5/8"-12	29.5	27.38	33.48	59.2	80	47.6
DAJCM9334-2420	1-7/8"-12	27.5	27.38	27.38	52.3	66.6	41.27
DAJCM9334-2424	1-7/8"-12	29.5	33.48	33.48	59.18	80	47.63
DAJCM9334-2432	1-7/8"-12	35	33.48	45.24	77.7	107.95	63.5
DAJCM9334-3224	2-1/2"-12	33.9	33.48	33.48	65.5	80	47.6
DAJCM9334-3232	2-1/2"-12	35	45.24	45.24	77.72	107.95	63.5
DAJCM9334-3240	2-1/2"-12	33.86	45.24	45.24	77.72	107.95	63.5

Web: <https://www.dmejde.com>
E-mail: info@dmejde.com



DAJCM9364

90° Forged Elbow JIC Male 74° – Flange SAE Code 62

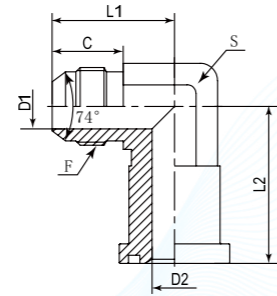
D	A	JC	M	9	3	6	4
Company	Product Range	Thread Types	Connection Type	Adaptor Structure	Adaptor Type	Flange Series	Flange Head Type
DME	Adaptor	JIC	Male	90° Elbow	Flange	SAE Code 62	Slip Flange Head

German Technology Equipment

SHIELD FLEX

New-Standard

- DME&JDE Code: **DAJCM9364**
- Product Type: **Hydraulic adaptor, Flange**
- Standard: **JIC**
- Structure: **90° Forged Elbow**
- Connection Types: **Male x Flange SAE Code 62**
- Thread Types: **JIC 74° Cone x SAE Code 62 Flange**



PART NUMBER	F (Thread)	C	D1	D2	L1	L2	S
#	UNF	mm	mm	mm	mm	mm	mm
DAJCM9364-0808	3/4"-16	16.7	10	10	37.1	54.1	22.23
DAJCM9364-0812	3/4"-16	24.5	10	15.52	42.16	54.1	26.97
DAJCM9364-1212	1-1/16"-12	24.5	15.52	15.52	42.16	54.1	27
DAJCM9364-1216	1-1/16"-12	24.4	15.52	21.44	45.97	60.2	33.35
DAJCM9364-1612	1-5/16"-12	24.5	15.52	15.52	42.16	54.1	27
DAJCM9364-1616	1-5/16"-12	23.14	21.44	21.44	45.97	60.2	33.33
DAJCM9364-1620	1-5/16"-12	23.14	21.44	21.44	52.3	70.1	41.27
DAJCM9364-1624	1-5/16"-12	25	21.44	33.48	54.7	80	47.6
DAJCM9364-2016	1-5/8"-12	24.33	21.44	21.44	45.97	60.2	41.27
DAJCM9364-2020	1-5/8"-12	25	27.38	27.38	52.32	70.1	41.28
DAJCM9364-2024	1-5/8"-12	29.5	27.38	33.48	59.2	80	47.6
DAJCM9364-2420	1-7/8"-12	27.51	33	27.38	55.5	70.1	47.6
DAJCM9364-2424	1-7/8"-12	29.5	33.48	33.48	59.18	80.01	47.63
DAJCM9364-2432	1-7/8"-12	35	33.48	45.24	77.7	107.95	63.5
DAJCM9364-3224	2-1/2"-12	35	45.24	33.48	77.72	107.95	63.5
DAJCM9364-3232	2-1/2"-12	35	45.24	45.24	77.7	107.95	63.5

DAJCM9334-B

90° Swept Elbows JIC Male 74° – Flange SAE Code 61

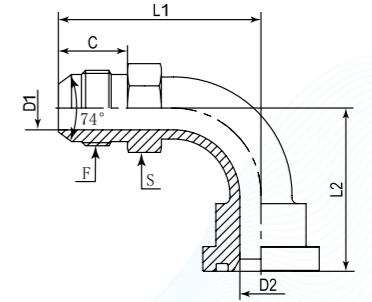
D	A	JC	M	9	3	3	4	B
Company	Product Range	Thread Types	Connection Type	Adaptor Structure	Adaptor Type	Flange Series	Flange Head Type	Elbow Type
DME	Adaptor	JIC	Male	90° Elbow	Flange	SAE Code 61	Slip Flange Head	Swept

German Technology Equipment

SHIELD FLEX

New-Standard

- DME&JDE Code: **DAJCM9334-B**
- Product Type: **Hydraulic adaptor, Flange**
- Standard: **JIC**
- Structure: **90° Swept Elbows**
- Connection Types: **Male x Flange SAE Code 61**
- Thread Types: **JIC 74° Cone x SAE Code 61 Flange**



PART NUMBER	F (Thread)	C	D1	D2	L1	L2	S
#	UNF	mm	mm	mm	mm	mm	mm
DAJCM9334-0808B	3/4"-16	16.69	9.3	9.3	60	46	22.23
DAJCM9334-0812B	3/4"-16	16.69	9.3	9.3	60	47	22.23
DAJCM9334-1212B	1-1/16"-12	21.95	15.52	15.52	70	53.8	28.57
DAJCM9334-1216B	1-1/16"-12	21.95	15	15	88	64	28.57
DAJCM9334-1220B	1-1/16"-12	21.95	15	15	90.1	70	28.57
DAJCM9334-1612B	1-5/16"-12	23.14	15.52	15.52	75	53.8	34.93
DAJCM9334-1616B	1-5/16"-12	23.14	21	21	86.1	60	34.93
DAJCM9334-1620B	1-5/16"-12	23.14	20	20	88	67	34.93
DAJCM9334-1624B	1-5/16"-12	23.14	21.44	21.44	88	82.5	34.93
DAJCM9334-2016B	1-5/8"-12	24.33	21.33	21.33	90	66	42.86
DAJCM9334-2020B	1-5/8"-12	24.33	27.38	27.38	98	76	42.93
DAJCM9334-2024B	1-5/8"-12	24.33	27.38	27.38	102	102.11	42.86
DAJCM9334-2424B	1-7/8"-12	27.51	33.32	33.32	116.08	102.11	50.8
DAJCM9334-3232B	2-1/2"-12	35	45.24	45.24	147	123	70



DAJCM9364-B

90° Swept Elbows JIC Male 74° – Flange SAE Code 62

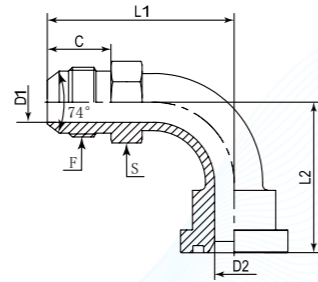
D	A	JC	M	9	3	6	4	B
Company	Product Range	Thread Types	Connection Type	Adaptor Structure	Adaptor Type	Flange Series	Flange Head Type	Elbow Type
DME	Adaptor	JIC	Male	90° Elbow	Flange	SAE Code 62	Slip Flange Head	Swept

German Technology Equipment

SHIELD FLEX

New-Standard

- DME&JDE Code: **DAJCM9364-B**
- Product Type: **Hydraulic adaptor, Flange**
- Standard: **JIC**
- Structure: **90° Swept Elbows**
- Connection Types: **Male x Flange SAE Code 62**
- Thread Types: **JIC 74° Cone x SAE Code 62 Flange**



PART NUMBER	F (Thread)	C	D1	D2	L1	L2	S
#	UNF	mm	mm	mm	mm	mm	mm
DAJCM9364-0808B	3/4"-16	16.69	9.3	9.3	60	46	22.23
DAJCM9364-1212B	1-1/16"-12	21.95	15.5	15.5	71.88	57.91	28.58
DAJCM9364-1216B	1-1/16"-12	21.95	15	15	89.1	72.9	28.58
DAJCM9364-1612B	1-5/16"-12	23.14	15.5	15.5	74.42	57.91	34.93
DAJCM9364-1616B	1-5/16"-12	23.14	20	20	86.11	72.9	34.93
DAJCM9364-1620B	1-5/16"-12	23.14	20	20	88	78	34.93
DAJCM9364-1624B	1-5/16"-12	23.14	21.44	21.44	88	83	34.93
DAJCM9364-2016B	1-5/8"-12	24.33	20	20	89.92	72.9	42.86
DAJCM9364-2020B	1-5/8"-12	24.33	26	26	101.09	87.88	42.86
DAJCM9364-2024B	1-5/8"-12	24.33	26	26	110	96	42.86
DAJCM9364-2420B	1-7/8"-12	27.51	26	26	109.98	87.88	50.8
DAJCM9364-2424B	1-7/8"-12	27.51	33.48	33.48	116.08	102.11	50.8
DAJCM9364-2432B	1-7/8"-12	27.51	33.48	33.48	137.5	123	50.8

DAOF59334

90° Forged Elbow ORFS Male – Flange SAE Code 61

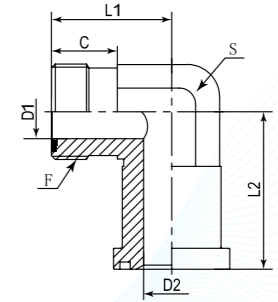
D	A	OF	5	9	3	3	4
Company	Product Range	Thread Types	Connection Type	Adaptor Structure	Adaptor Type	Flange Series	Flange Head Type
DME	Adaptor	ORFS	Male	90° Elbow	Flange	SAE Code 61	Slip Flange Head

German Technology Equipment

SHIELD FLEX

New-Standard

- DME&JDE Code: **DAOF59334**
- Product Type: **Hydraulic adaptor, Flange**
- Standard: **ORFS**
- Structure: **90° Forged Elbow**
- Connection Types: **Male x Flange SAE Code 61**
- Thread Types: **ORFS UNF x SAE Code 61 Flange**



PART NUMBER	F (Thread)	C	D1	D2	L1	L2	S
#	UNF	mm	mm	mm	mm	mm	Inch
DAOF59334-1212	1-3/16"-12	17.02	15.52	15.52	42.16	54.1	1-3/16"
DAOF59334-1216	1-3/16"-12	24	15.5	20.6	46	60.2	1-5/16"
DAOF59334-1612	1-7/16"-12	25.2	20.6	15.52	46	54.5	1-7/16"
DAOF59334-1616	1-7/16"-12	25.2	20.6	20.6	46	60.2	1-7/16"
DAOF59334-1620	1-7/16"-12	25.2	20.6	20.6	52.3	66.55	1-5/8"
DAOF59334-2016	1-11/16"-12	25	21.44	21.44	52.3	65	1-5/8"
DAOF59334-2020	1-11/16"-12	25	26	26	52.32	66.55	1-5/8"
DAOF59334-2024	1-11/16"-12	25	26	26	59.2	80	1-7/8"
DAOF59334-2420	2"-12	29.5	27.38	27.38	59.18	72.5	1-7/8"
DAOF59334-2424	2"-12	29.5	32	33.48	59.18	80.01	1-7/8"



DAOF59364

90° Forged Elbow ORFS Male – Flange SAE Code 62

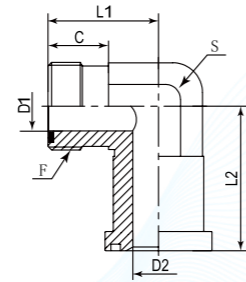
D	A	OF	5	9	3	6	4
Company	Product Range	Thread Types	Connection Type	Adaptor Structure	Adaptor Type	Flange Series	Flange Head Type
DME	Adaptor	ORFS	Male	90° Elbow	Flange	SAE Code 62	Slip Flange Head

German Technology Equipment

SHIELD FLEX

New-Standard

- DME&JDE Code: DAOF59364
- Product Type: Hydraulic adaptor, Flange
- Standard: ORFS
- Structure: 90° Forged Elbow
- Connection Types: Male x Flange SAE Code 62
- Thread Types: ORFS UNF x SAE Code 62 Flange



PART NUMBER	F (Thread)	C	D1	D2	L1	L2	S
#	UNF	mm	mm	mm	mm	mm	Inch
DAOF59364-1212	1-3/16"-12	17.02	15.47	15.47	42.2	54.1	1-3/16"
DAOF59364-1216	1-3/16"-12	24	15.47	21.44	46	60.2	1-5/16"
DAOF59364-1612	1-7/16"-12	25.2	20.6	15.52	46	59.5	1-5/16"
DAOF59364-1616	1-7/16"-12	25.5	20.6	20.6	46	60.2	1-5/16"
DAOF59364-1620	1-7/16"-12	25.2	20.6	27.38	53.33	70.1	1-5/8"
DAOF59364-2016	1-11/16"-12	24.33	26	21.44	45.97	60.2	1-5/8"
DAOF59364-2020	1-11/16"-12	25	26	26	52.32	70.1	1-5/8"
DAOF59364-2024	1-11/16"-12	25	26	33.48	59.2	80	1-7/8"
DAOF59364-2424	2"-12	29.5	32	32	59.18	80.01	1-7/8"

DABPM9334

90° Forged Elbow ORFS Male – Flange SAE Code 62

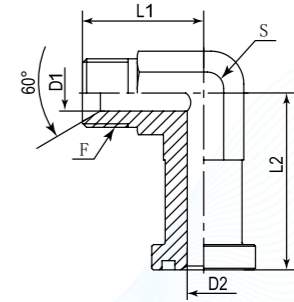
D	A	BP	M	9	3	3	4
Company	Product Range	Thread Types	Connection Type	Adaptor Structure	Adaptor Type	Flange Series	Flange Head Type
DME	Adaptor	BSPP	Male	90° Elbow	Flange	SAE Code 61	Slip Flange Head

German Technology Equipment

SHIELD FLEX

New-Standard

- DME&JDE Code: DABPM9334
- Product Type: Hydraulic adaptor, Flange
- Standard: BSPP
- Structure: 90° Forged Elbow
- Connection Types: Male x Flange SAE Code 61
- Thread Types: BSPP 60° Cone x SAE Code 61 Flange



PART NUMBER	F (Thread)	D1	D2	L1	L2	S
#	BSPP	mm	mm	mm	mm	mm
DABPM9334-0808	1/2"-14	11.1	10	37.2	54.1	22.23
DABPM9334-0812	1/2"-14	11.1	15.52	42.1	54.1	27
DABPM9334-1212	3/4"-14	16.7	15.52	42.1	54.1	27
DABPM9334-1216	3/4"-14	16.7	21.44	46	60.2	33.35
DABPM9334-1612	1"-11	22.2	15.52	46	59	33.35
DABPM9334-1616	1"-11	22.2	21.44	46	60.2	33.35
DABPM9334-1620	1"-11	22.2	27.38	52.3	66.55	41.28
DABPM9334-2020	1-1/4"-11	27.38	27.38	52.3	66.55	41.28
DABPM9334-2424	1-1/2"-11	33.3	33.3	60.5	80	47.6



DABPM9364

90° Forged Elbows BSPP Male 60° – Flange SAE Code 62

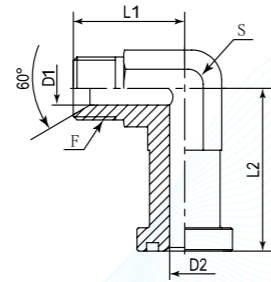
D	A	BP	M	9	3	6	4
Company	Product Range	Thread Types	Connection Type	Adaptor Structure	Adaptor Type	Flange Series	Flange Head Type
DME	Adaptor	BSPP	Male	90° Elbow	Flange	SAE Code 62	Slip Flange Head

German Technology Equipment

SHIELD FLEX

New-Standard

- DME&JDE Code: DABPM9364
- Product Type: Hydraulic adaptor, Flange
- Standard: BSPP
- Structure: 90° Forged Elbow
- Connection Types: Male x Flange SAE Code 62
- Thread Types: BSPP 60° Cone x SAE Code 62 Flange



PART NUMBER	F (Thread)	D1	D2	L1	L2	S
#	BSPP	mm	mm	mm	mm	mm
DABPM9364-0808	1/2"-14	11.1	10	37.1	54.1	22.23
DABPM9364-0812	1/2"-14	11.1	15.52	42.1	54.1	27
DABPM9364-1212	3/4"-14	16.7	15.52	42.1	54.1	27
DABPM9364-1216	3/4"-14	16.7	21.44	46	60.2	33.35
DABPM9364-1612	1"-11	22.2	15.52	46	60	33.3
DABPM9364-1616	1"-11	22.2	21.44	46	60.2	33.35
DABPM9364-1620	1"-11	22.2	27.38	52.3	70.1	41.28
DABPM9364-2020	1-1/4"-11	27.38	27.38	52.3	70.1	41.28
DABPM9364-2424	1-1/2"-11	33.3	33.3	60.5	80.01	47.6

Web: <https://www.dmejde.com>
E-mail: info@dmejde.com

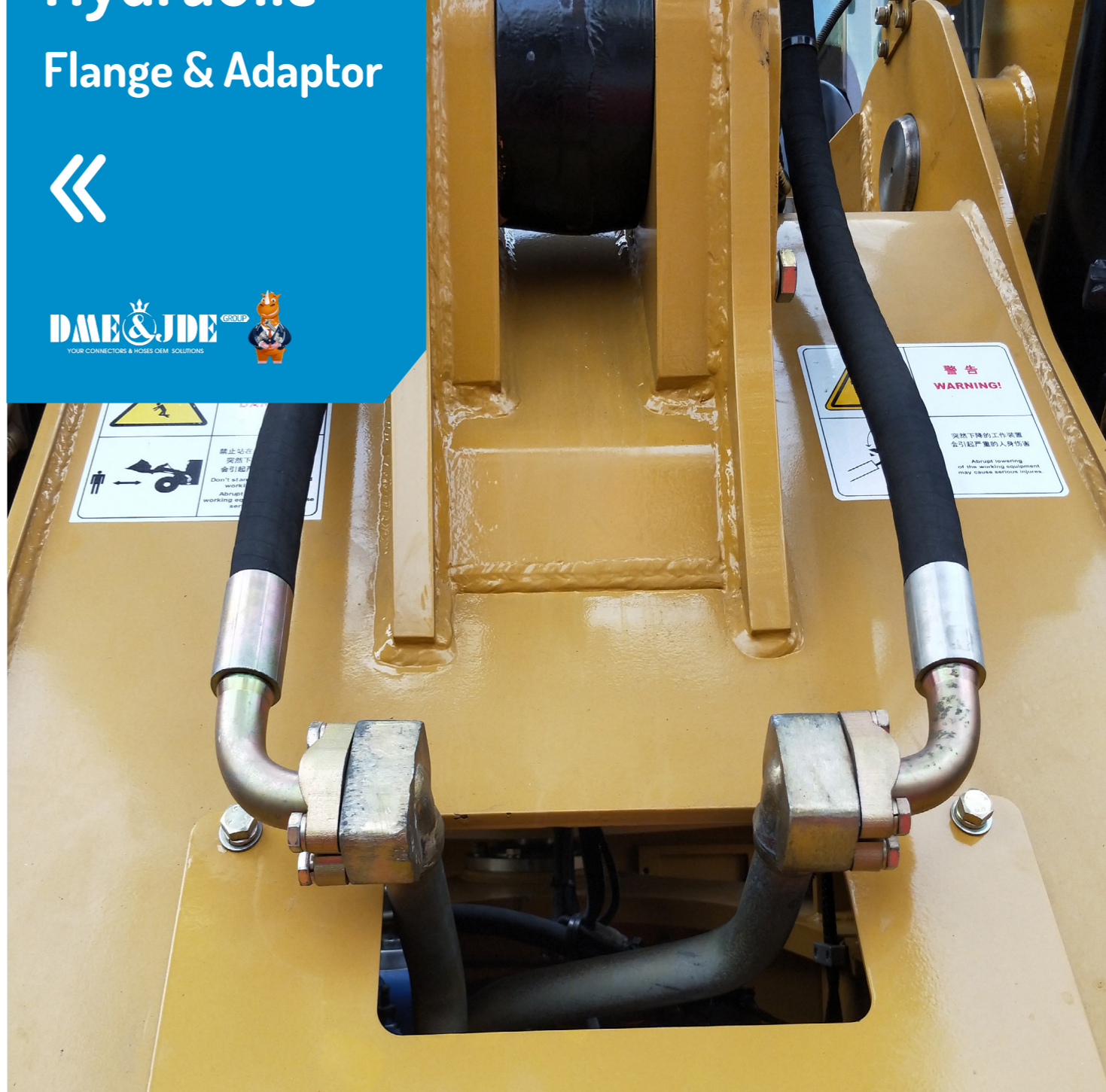


Hydraulic Flange & Adaptor

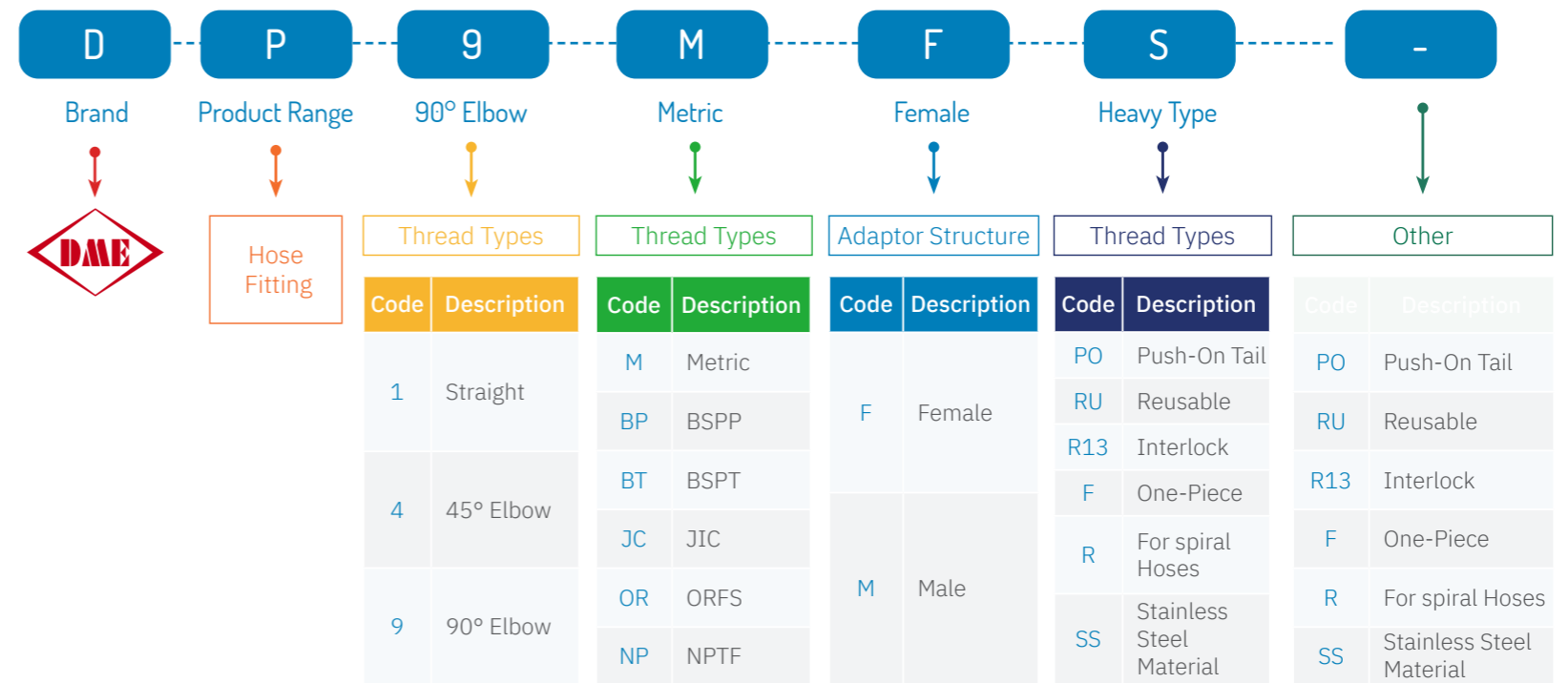
«

DME&JDE GROUP

YOUR CONNECTORS & HOSES OEM SOLUTIONS



CODE SYSTEM (e.g. DP9MFS)



Hose Fitting

Hose fitting is a connecting part that connects flexible hoses to equipment ports. It supplies reliable connection and sealing for fluid power transmission.

DME&JDE Hose Fitting are with different fitting sizes and configurations for your fluid transmission line. No matter what your application, what pressure and what types of hoses, we can satisfy your requirements and enhance equipment performance. You can get not only the satisfied fittings, but also technical know-how and widest support system.



Ferrule



Insert Hose Fitting



Interlock



Push-On



Reusable



Suction Tail



One Piece



Hose Fitting Ferrule »

<p>DPF1T P785</p>  <p>No-Skive Ferrule for SAE100 R1AT or EN853 1SN/EN857 1SC</p>	<p>DPF2T P786</p>  <p>No-Skive Ferrule for SAE100 R1AT/ R2AT or EN853 1SN/2SN</p>	<p>DPF4T P787</p>  <p>Skive Ferrule For SAE100 R9 R12 4SP 4SH Hose</p>	<p>DPF4T-NK P788</p>  <p>No-Skive Ferrule For SAE100 R9 R12 4SP 4SH Hose</p>
<p>DPF5T P789</p>  <p>No-Skive Ferrule For SAE100 R5 Hose</p>	<p>DPFR7 P790</p>  <p>No Skive Ferrule for SAE 100 R7 Hose</p>	<p>DPFR13 P791</p>  <p>Double Skive Ferrule for Heavy Duty Spiral Hose SAE R13/R15</p>	<p>DPF01SN P792</p>  <p>Ferrule For SAE100 R1AT/EN 853 1SN Hose</p>
<p>DPF04H P793</p>  <p>Ferrule For 4SP, 4SH/12-16, R12/06-16 Hose</p>	<p>DPFTF0 P794</p>  <p>Ferrule for Teflon Hose</p>	<p>DPF02SN P795</p>  <p>Ferrule For SAE100 R2AT/EN 853 2SN Hose</p>	

DPF1T

No-Skive Ferrule for SAE100 R1AT or EN853 1SN/EN857 1SC

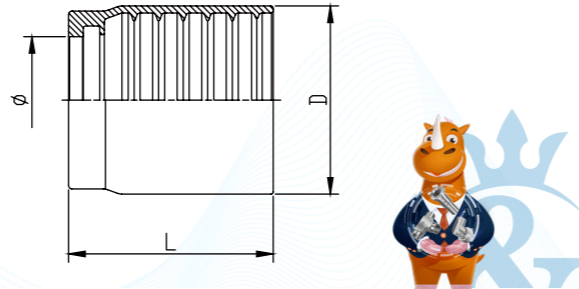
D	P	F	1T
Company	Product Range	Hose Fitting Type	Available Hose Type
DME	Hose Fitting	Ferrule	SAE100 R1AT or EN853 1SN/EN857 1SC

German Technology Equipment

SHIELD FLEX

New-Standard

- DME&JDE Code: **DPF1T**
- Product Type: **Hose Fitting**
- Hose Fitting Type: **Ferrule**
- Available Hose Type: **SAE100 R1AT or EN853 1SN/EN857 1SC**



PART NUMBER	ø	D	L
#	Inch	mm	mm
DPF1T-03	3/16"	17.50	24.50
DPF1T-04	1/4"	21.00	30.00
DPF1T-05	5/16"	21.50	30.00
DPF1T-06	3/8"	24.30	32.00
DPF1T-08	1/2"	28.00	34.00
DPF1T-10	5/8"	31.30	37.00
DPF1T-12	3/4"	35.50	42.00
DPF1T-16	1"	43.50	51.00

DPF2T

No-Skive Ferrule for SAE100 R1AT/R2AT or EN853 1SN/2SN

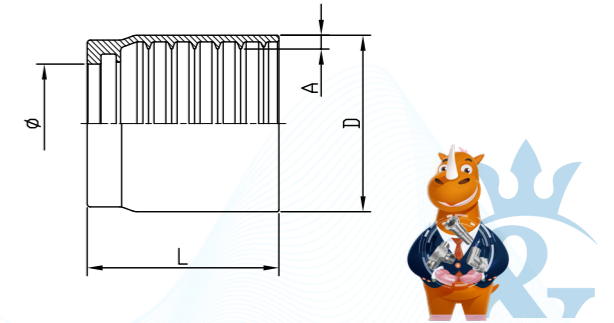
D	P	F	2T
Company	Product Range	Hose Fitting Type	Available Hose Type
DME	Hose Fitting	Ferrule	SAE100 R1AT/R2AT or EN853 1SN/2SN

German Technology Equipment

SHIELD FLEX

New-Standard

- DME&JDE Code: **DPF2T**
- Product Type: **Hose Fitting**
- Hose Fitting Type: **Ferrule**
- Available Hose Type: **SAE100 R1AT/R2AT or EN853 1SN/2SN**



PART NUMBER	ø	A	D	L
#	Inch	mm	mm	mm
DPF2T-03	3/16"	3.35	21	23
DPF2T-04	1/4"	3.55	23	30.5
DPF2T-05	5/16"	3.35	24	30
DPF2T-06	3/8"	3.20	26	32
DPF2T-08	1/2"	3.00	29	34
DPF2T-10	5/8"	3.35	33	37
DPF2T-12	3/4"	3.25	37	42
DPF2T-16	1"	4.05	47	51
DPF2T-20	1-1/4"	4.60	59	59
DPF2T-24	1-1/2"	5.50	67	67
DPF2T-32	2"	5.75	80	72

DPF4T

Skive Ferule For SAE100 R9 R12 4SP 4SH Hose

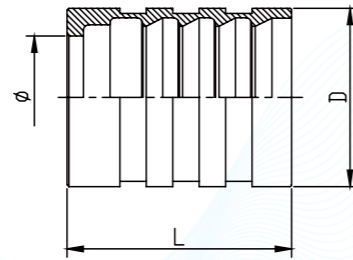
D	P	F	4T
Company	Product Range	Hose Fitting Type	Available Hose Type
DME	Hose Fitting	Ferrule	SAE100 R9 R12 4SP 4SH

German Technology Equipment

SHIELD FLEX

New-Standard

- DME&JDE Code: DPF4T
- Product Type: Hose Fitting
- Hose Fitting Type: Ferrule
- Available Hose Type: SAE100 R9 R12 4SP 4SH



PART NUMBER	ø	D	L
#	Inch	mm	mm
DPF4T-06	3/8"	25.50	33.50
DPF4T-08	1/2"	30.00	37.00
DPF4T-10	5/8"	34.00	40.00
DPF4T-12	3/4"	37.4	40.00
DPF4T-16	1"	46.00	60.00
DPF4T-20	1-1/4"	56.00	66.00
DPF4T-24	1-1/2"	65.00	76.50
DPF4T-32	2"	80.00	80.00

DPF4T-NK

No-Skive Ferule For SAE100 R9 R12 4SP 4SH Hose

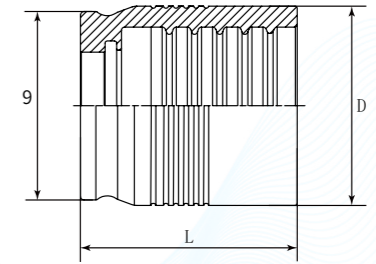
D	P	F	4T	NK
Company	Product Range	Hose Fitting Type	Available Hose Type	Ferrule Type
DME	Hose Fitting	Ferrule	SAE100 R9 R12 4SP 4SH	No-Skive

German Technology Equipment

SHIELD FLEX

New-Standard

- DME&JDE Code: DPF4T-NK
- Product Type: Hose Fitting
- Hose Fitting Type: Ferrule
- Available Hose Type: SAE100 R9 R12 4SP 4SH



PART NUMBER	ø	D	L
#	Inch	mm	mm
DPF4T-NK-06	3/8"	30.00	31.00
DPF4T-NK-08	1/2"	34.80	34.00
DPF4T-NK-10	5/8"	40.00	37.00
DPF4T-NK-12	3/4"	44.50	42.00
DPF4T-NK-16	1"	50.80	56.00

DPF5T

No-Skive Ferrule For SAE100 R5 Hose

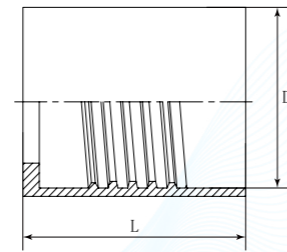
D	P	F	5T
Company	Product Range	Hose Fitting Type	Available Hose Type
DME	Hose Fitting	Ferrule	SAE100 R5

German Technology Equipment

SHIELD FLEX

New-Standard

- DME&JDE Code: **DPF5T**
- Product Type: **Hose Fitting**
- Hose Fitting Type: **Ferrule**
- Available Hose Type: **SAE100 R5**



PART NUMBER	Ø	D	L
#	Inch	mm	mm
DPF5T-03	3/16"	18.70	27.00
DPF5T-04	1/4"	19.50	30.00
DPF5T-05	5/16"	21.60	32.00
DPF5T-06	3/8"	25.00	32.00
DPF5T-08	1/2"	28.50	34.00
DPF5T-10	5/8"	33.00	37.00

DPFR7

No Skive Ferrule for SAE 100 R7 Hose

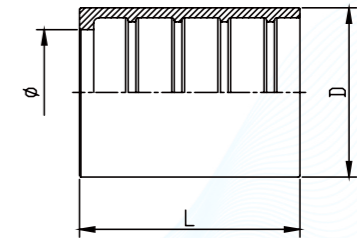
D	P	F	R7
Company	Product Range	Hose Fitting Type	Available Hose Type
DME	Hose Fitting	Ferrule	SAE 100 R7

German Technology Equipment

SHIELD FLEX

New-Standard

- DME&JDE Code: **DPFR7**
- Product Type: **Hose Fitting**
- Hose Fitting Type: **Ferrule**
- Available Hose Type: **SAE 100 R7**



PART NUMBER	Ø	D	L
#	Inch	mm	mm
DPFR7-03	3/16"	14.20	27.00
DPFR7-04	1/4"	17.00	29.00
DPFR7-05	5/16"	18.80	31.00
DPFR7-06	3/8"	21.00	31.00
DPFR7-08	1/2"	25.50	34.00
DPFR7-10	5/8"	31.50	36.00
DPFR7-12	3/4"	33.00	43.00



DPFR13

Double Skive Ferrule for Heavy Duty Spiral Hose SAE R13/R15

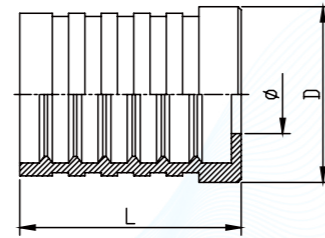
D	P	F	R13
Company	Product Range	Hose Fitting Type	Available Hose Type
DME	Hose Fitting	Ferrule	SAE R13/R15

German Technology Equipment

SHIELD FLEX

New-Standard

- DME&JDE Code: **DPFR13**
- Product Type: **Hose Fitting**
- Hose Fitting Type: **Ferrule**
- Available Hose Type: **SAE R13/R15**



PART NUMBER	Ø	D	L
#	Inch	mm	mm
DPFR13-10	5/8"	36.00	43.50
DPFR13-12	3/4"	40.00	53.00
DPFR13-16	1"	49.00	66.00
DPFR13-20	1-1/4"	60.00	88.50
DPFR13-24	1-1/2"	69.30	102.00
DPFR13-32	2"	86.50	108.00

Web: <https://www.dmejde.com>
E-mail: info@dmejde.com



DPF01SN

Ferrule For SAE100 R1AT/EN 853 1SN Hose

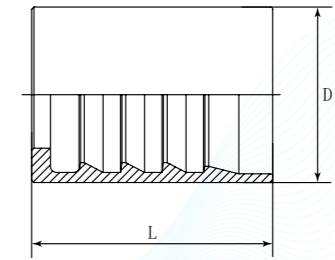
D	P	F	01SN
Company	Product Range	Hose Fitting Type	Available Hose Type
DME	Hose Fitting	Ferrule	SAE100 RIAT/EN 853 1SN

German Technology Equipment

SHIELD FLEX

New-Standard

- DME&JDE Code: **DPF01SN**
- Product Type: **Hose Fitting**
- Hose Fitting Type: **Ferrule**
- Available Hose Type: **SAE100 R1AT/EN 853 1SN**



PART NUMBER	Ø	D	L
#	Inch	mm	mm
DPF01SN-03	3/16"	17.50	24.50
DPF01SN-04	1/4"	19.80	30.00
DPF01SN-05	5/16"	20.80	31.00
DPF01SN-06	3/8"	23.30	32.00
DPF01SN-08	1/2"	27.00	34.00
DPF01SN-10	5/8"	30.00	37.00
DPF01SN-12	3/4"	34.00	43.00
DPF01SN-16	1"	42.60	50.00
DPF01SN-20	1-1/4"	52.00	59.00
DPF01SN-24	1-1/2"	58.00	74.00
DPF01SN-32	2"	72.00	78.00

Web: <https://www.dmejde.com>
E-mail: info@dmejde.com



DPF04H

Ferrule For 4SP, 4SH/12-16, R12/06-16 Hose

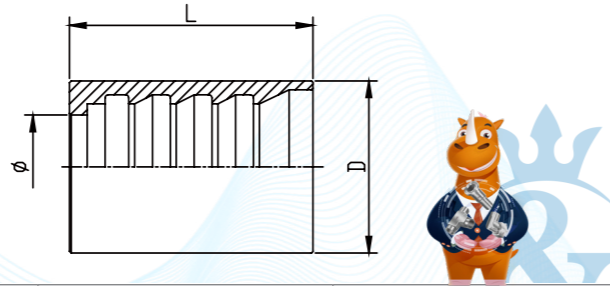
German Technology Equipment



New-Standard

- D**
Company
DME
- P**
Product Range
Hose Fitting
- F**
Hose Fitting Type
Ferrule
- 04H**
Available Hose Type
4SP, 4SH/12-16, R12/06-16

- DME&JDE Code: **DPF04H**
- Product Type: **Hose Fitting**
- Hose Fitting Type: **Ferrule**
- Available Hose Type: **4SP, 4SH/12-16, R12/06-16**



PART NUMBER	Ø	D	L
#	Inch	mm	mm
DPF04H-04	1/4"	6.00	37.50
DPF04H-06	3/8"	10.00	39.00
DPF04H-08	1/2"	12.00	41.00
DPF04H-10	5/8"	16.00	43.00
DPF04H-12	3/4"	20.00	51.00
DPF04H-16	1"	25.00	61.50
DPF04H-20	1-1/4"	32.00	67.50
DPF04H-24	1-1/2"	40.00	75.00
DPF04H-32	2"	50.00	79.00

Web: <https://www.dmejde.com>
E-mail: info@dmejde.com



DPFTFO

Ferrule for Teflon Hose

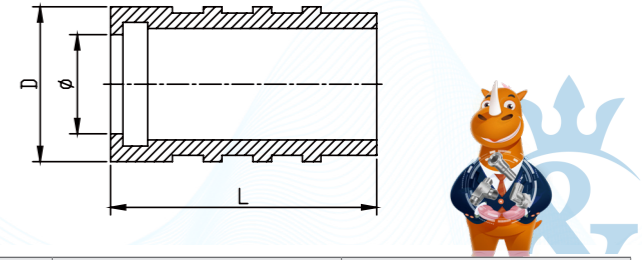
German Technology Equipment



New-Standard

- D**
Company
DME
- P**
Product Range
Hose Fitting
- F**
Hose Fitting Type
Ferrule
- TFO**
Available Hose Type
Teflon

- DME&JDE Code: **DPFTFO**
- Product Type: **Hose Fitting**
- Hose Fitting Type: **Ferrule**
- Available Hose Type: **Teflon**



PART NUMBER	Ø	D	L
#	Inch	mm	mm
DPFTFO-04	1/4"	16.00	31.00
DPFTFO-05	5/16"	17.00	30.00
DPFTFO-06	3/8"	22.00	32.00
DPFTFO-08	1/2"	25.00	33.00
DPFTFO-10	5/8"	29.00	37.00
DPFTFO-12	3/4"	34.00	42.00
DPFTFO-16	1"	40.00	50.00

Web: <https://www.dmejde.com>
E-mail: info@dmejde.com



DPF02SN

Ferrule For SAE100 R2AT/EN 853 2SN Hose

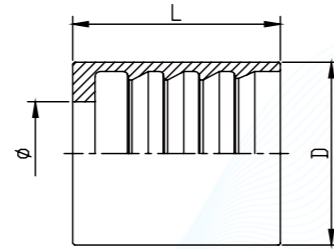
D	P	F	02SN
Company	Product Range	Fitting Type	Available Hose Type
DME	Hose Fitting Type	Ferrule	SAE100 R2AT/EN 853 2SN

German Technology Equipment

SHIELD FLEX

New-Standard

- DME&JDE Code: **DPF02SN**
- Product Type: **Hose Fitting**
- Hose Fitting Type: **Ferrule**
- Available Hose Type: **SAE100 R2AT/EN 853 2SN**



PART NUMBER	Ø	D	L
#	Inch	mm	mm
DPF02SN-04	1/4"	6.00	30.00
DPF02SN-05	5/16"	8.00	31.00
DPF02SN-06	3/8"	10.00	32.00
DPF02SN-08	1/2"	12.00	34.00
DPF02SN-10	5/8"	16.00	37.00
DPF02SN-12	3/4"	20.00	43.00
DPF02SN-16	1"	25.00	50.00
DPF02SN-20	1-1/4"	32.00	59.00
DPF02SN-24	1-1/2"	40.00	74.00
DPF02SN-32	2"	50.00	78.00

Certificate:



Hose Fitting

Ferrule



DME&JDE GROUP

YOUR CONNECTORS & HOSES OEM SOLUTIONS





Hose Fitting

Insert Hose Fitting »

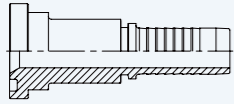


<p>DP1BPM P801</p> <p>Straight Connector BSPP Male 60° Cone Seat Or Bonded Seal - Braided Hose And Spiral Hose</p>	<p>DP1JCM P802</p> <p>Straight Connector JIC Male 74° Cone - Braided Hose And Spiral Hose</p>	<p>DP1MML P803</p> <p>Straight Connector Metric Male 24° Cone Light Type - Braided Hose And Spiral Hose</p>	<p>DP1MMS P804</p> <p>Straight Connector Metric Male 24° Cone Heavy Type - Braided Hose And Spiral Hose</p>
<p>DP1ORM P805</p> <p>Straight Connector ORFS Male - Braided Hose And Spiral Hose</p>	<p>DP1NPM P806</p> <p>Straight Connector NPTF Male - Braided Hose And Spiral Hose</p>	<p>DP1ORF P807</p> <p>Straight Connector ORFS Female - Braided Hose And Spiral Hose</p>	<p>DP1MFF P808</p> <p>Straight Connector Metric Female - Braided Hose And Spiral Hose</p>
<p>DP1MFS P809</p> <p>Straight Connector Metric Female 24° Cone Heavy Type - Braided Hose And Spiral Hose</p>	<p>DP1MFL P810</p> <p>Straight Connector Metric Female 24° Cone Light Type - Braided Hose And Spiral Hose</p>	<p>DP1KSF P811</p> <p>Straight Connector JIS Metric Female 60° Cone - Braided Hose And Spiral Hose</p>	<p>DP1BPF P812</p> <p>Straight Connector BSPP Swivel Female 60° Cone - Braided Hose And Spiral Hose</p>
<p>DP1JCF P813</p> <p>Straight Connector JIC Swivel Female 74° Cone - Braided Hose And Spiral Hose</p>	<p>DP1TYF P814</p> <p>Straight Connector JIS BSPP Swivel Female 60° Cone - Braided Hose And Spiral Hose</p>	<p>DP1NPS P815</p> <p>Straight Connector NPSM Swivel Female 60° Cone - Braided Hose And Spiral Hose</p>	<p>DP1FL P816</p> <p>Straight Connector SAE Flange Code 61 - Braided Hose And Spiral Hose</p>



DP1FS

P817



Straight Connector SAE Flange Code 62 - Braided Hose And Spiral Hose

DP1MP

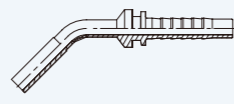
P818



Straight Connector Metric Standard Pipe DIN Type

DP4MP

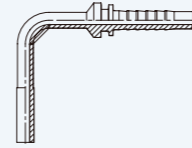
P819



45° Elbow Metric Standard Pipe DIN Type - Braided Hose And Spiral Hose

DP9MP

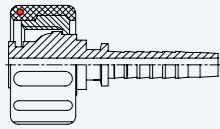
P820



Straight Connector Metric Male 24° Cone Heavy Type - Braided Hose And Spiral Hose

DP1WF

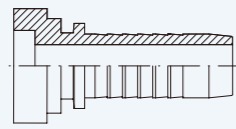
P821



Straight Connector Metric Female - Braided Hose And Spiral Hose

DPSTS

P822



Socket Weld - Braided Hose And Spiral Hose

DDC

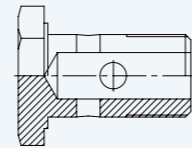
P823



Pushlock Hose Joiner

BJBMP

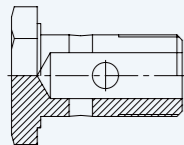
P824



Banjo Bolt Metric Male

BJBM

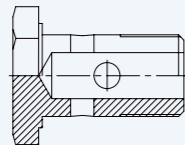
P825



Banjo Bolt Metric Male

BJBBP

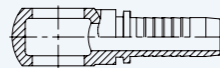
P826



Banjo Bolt BSPP Male

BJM

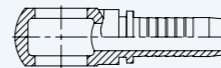
P827



Banjo Metric

BJBP

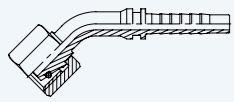
P828



Banjo BSPP

DP4MFL

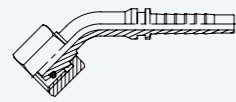
P829



45° Elbow Metric Female 24° Cone Light Type - Braided Hose And Spiral Hose

DP4MFS

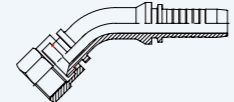
P830



45° Elbow Metric Female 24° Cone Heavy Type - Braided Hose And Spiral Hose

DP4KSF

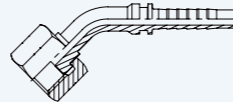
P831



45° Elbow Metric Female 60° Cone - Braided Hose And Spiral Hose

DP4ORF

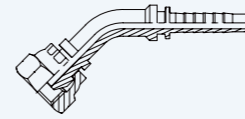
P832



45° Elbow ORFS Female - Braided Hose And Spiral Hose

DP4BPF

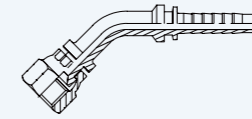
P833



45° Elbow BSPP Swivel Female 60° Cone - Braided Hose And Spiral Hose

DP4JCF

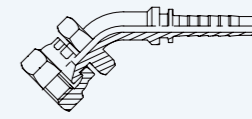
P834



45° Elbow JIC Swivel Female 74° Cone - Braided Hose And Spiral Hose

DP4TYF

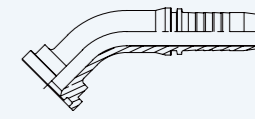
P835



45° Elbow JIS BSPP Swivel Female 60° Cone - Braided Hose And Spiral Hose

DP4FL

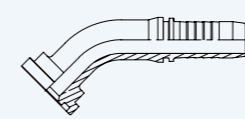
P836



45° Elbow SAE Flange Code 61 - Braided Hose And Spiral Hose

DP4FS

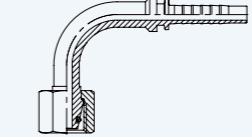
P837



45° Elbow SAE Flange Code 62 - Braided Hose And Spiral Hose

DP9MFL

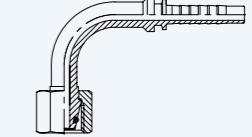
P838



90° Elbow Metric Female 24° Cone Light Type - Braided Hose And Spiral Hose

DP9MFS

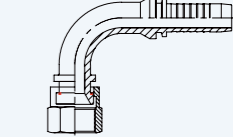
P839



90° Elbow Metric Female 24° Cone Heavy Type - Braided Hose And Spiral Hose

DP9KSF

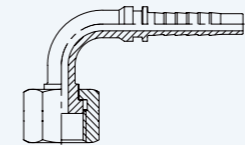
P840



90° Elbow JIS Metric Female 60° Cone - Braided Hose And Spiral Hose

DP9ORF

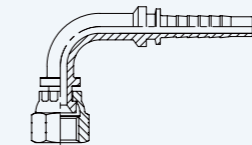
P841



90° Elbow ORFS Female - Braided Hose And Spiral Hose

DP9JCF

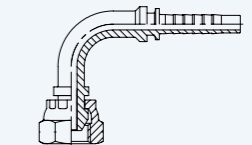
P842



90° Elbow JIC Swivel Female 74° Cone - Braided Hose And Spiral Hose

DP9BPF

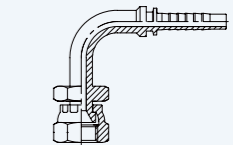
P843



90° Elbow BSPP Swivel Female 60° Cone - Braided Hose And Spiral Hose

DP9TYF

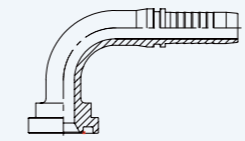
P844



90° Elbow JIS BSPP Swivel Female 60° Cone - Braided Hose And Spiral Hose

DP9FL

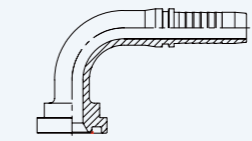
P845



90° Elbow SAE Flange Code 61 - Braided Hose And Spiral Hose

DP9FS

P846



90° Elbow SAE Flange Code 62 - Braided Hose And Spiral Hose

DP1BPM

Straight Connector BSPP Male 60° Cone Seat Or Bonded Seal – Braided Hose And Spiral Hose

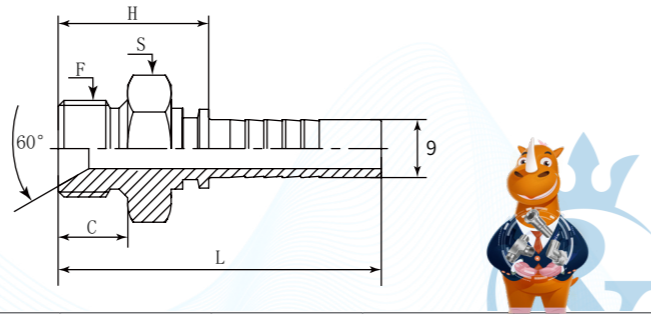
D	P	I	BP	M
Company	Product Range	Fitting Structure	Thread Types	Connection Type
DME	Hose Fitting	Straight	BSPP	Male

German Technology Equipment

SHIELD FLEX

New-Standard

- DME&JDE Code: **DP1BPM**
- Product Type: **Hose Fitting**
- Hose Fitting Type: **Insert**
- Thread Type: **BSPP 60° Cone Seat Or Bonded Seal**
- Structure: **Straight**
- Connection Type: **Male**



PART NUMBER	F (Thread)	Ø	H	C	L	S
#	BSPP	Inch	mm	mm	mm	mm
DP1BPM-0204	1/8"-28	1/4"	20.50	10.00	49.00	14
DP1BPM-0404	1/4"-19	1/4"	26.00	10.00	50.00	19
DP1BPM-0406	1/4"-19	3/8"	26.00	10.00	52.30	19
DP1BPM-0604	3/8"-19	1/4"	28.50	12.00	53.50	22
DP1BPM-0606	3/8"-19	3/8"	28.50	12.00	55.80	22
DP1BPM-0608	3/8"-19	1/2"	29.00	12.00	57.80	22
DP1BPM-0806	1/2"-14	3/8"	32.00	14.00	58.30	27
DP1BPM-0808	1/2"-14	1/2"	33.00	14.00	60.30	27
DP1BPM-1208	3/4"-14	1/2"	38.00	16.00	64.30	32
DP1BPM-1210	3/4"-14	5/8"	38.00	16.00	67.30	32
DP1BPM-1212	3/4"-14	3/4"	39.00	16.00	77.30	32
DP1BPM-1612	1"-11	3/4"	42.00	18.00	77.30	41
DP1BPM-1616	1"-11	1"	43.50	18.00	86.00	41
DP1BPM-2016	1-1/4"-11	1"	46.50	20.50	94.50	50
DP1BPM-2020	1-1/4"-11	1-1/4"	47.00	20.50	102.50	50
DP1BPM-2420	1-1/2"-11	1-1/4"	50.00	22.00	111.00	55
DP1BPM-2424	1-1/2"-11	1-1/2"	51.00	22.00	115.00	55
DP1BPM-3232	2"-11	2"	53.50	24.00	124.00	70

DP1JCM

Straight Connector JIC Male 74° Cone – Braided Hose And Spiral Hose

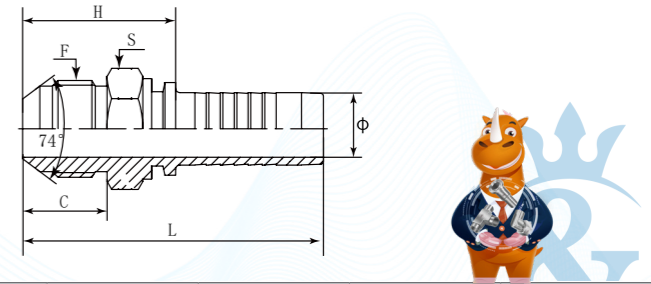
D	P	I	JC	M
Company	Product Range	Fitting Structure	Thread Types	Connection Type
DME	Hose Fitting	Straight	JIC	Male

German Technology Equipment

SHIELD FLEX

New-Standard

- DME&JDE Code: **DP1JCM**
- Product Type: **Hose Fitting**
- Hose Fitting Type: **Insert**
- Thread Type: **JIC 74° Cone**
- Structure: **Straight**
- Connection Type: **Male**



PART NUMBER	F (Thread)	Ø	C	H	L	S
#	UNF	Inch	mm	mm	mm	mm
DP1JCM-0404	7/16"-20	1/4"	14.00	26.20	54.00	12
DP1JCM-0504	1/2"-20	1/4"	14.00	26.20	54.00	14
DP1JCM-0604	9/16"-18	1/4"	14.10	26.20	54.00	17
DP1JCM-0606	9/16"-18	3/8"	14.10	27.20	57.00	17
DP1JCM-0806	3/4"-16	3/8"	16.70	31.00	60.80	22
DP1JCM-0808	3/4"-16	1/2"	16.70	31.70	63.00	22
DP1JCM-1008	7/8"-14	1/2"	19.30	34.70	66.00	24
DP1JCM-1010	7/8"-14	5/8"	19.30	35.20	69.00	24
DP1JCM-1012	7/8"-14	3/4"	19.30	37.60	77.20	27
DP1JCM-1208	1-1/16"-12	1/2"	21.90	39.00	70.30	27
DP1JCM-1210	1-1/16"-12	5/8"	21.90	39.50	73.30	27
DP1JCM-1212	1-1/16"-12	3/4"	21.90	40.40	80.00	27
DP1JCM-1216	1-1/16"-12	1"	21.90	41.60	89.10	32
DP1JCM-1612	1-5/16"-12	3/4"	23.10	42.20	81.80	36
DP1JCM-1616	1-5/16"-12	1"	23.10	43.00	90.50	36
DP1JCM-2016	1-5/8"-12	1"	24.30	47.30	94.50	46
DP1JCM-2020	1-5/8"-12	1-1/4"	24.30	48.50	102.50	46
DP1JCM-2420	1-7/8"-12	1-1/4"	27.50	67.50	121.50	50
DP1JCM-2424	1-7/8"-12	1-1/2"	27.50	53.50	121.50	50
DP1JCM-3232	2-1/2"-12	2"	33.90	72.00	144.00	65

DP1MML

Straight Connector Metric Male 24° Cone Light Type – Braided Hose And Spiral Hose

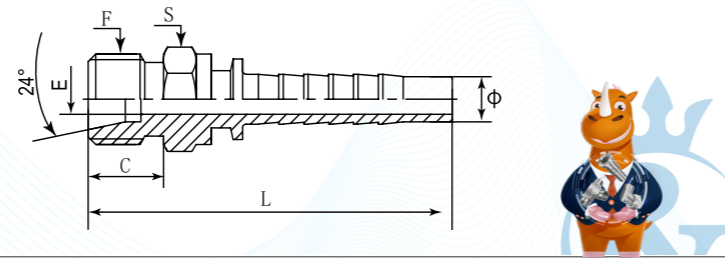
D	P	I	M	M	L
Company	Product Range	Fitting Structure	Thread Types	Connection Type	Pressure Grade
DME	Hose Fitting	Straight	Metric	Male	Light Type

German Technology Equipment

SHIELD FLEX

New-Standard

- DME&JDE Code: **DP1MML**
- Product Type: **Hose Fitting**
- Hose Fitting Type: **Insert**
- Thread Type: **Metric 24° Cone Light Type**
- Structure: **Straight**
- Connection Type: **Male**



PART NUMBER	F (Thread)	Cone 24°	Ø	C	E	L	S
#	Metric	-	Inch	mm	mm	mm	mm
DP1MML-1204	M12X1.5	06L	1/4"	10.00	6.00	48.30	14
DP1MML-1404	M14X1.5	08L	1/4"	10.00	8.00	48.00	14
DP1MML-1604	M16X1.5	10L	1/4"	11.00	10.00	51.00	17
DP1MML-1606	M16X1.5	10L	3/8"	11.00	10.00	53.30	17
DP1MML-1806	M18X1.5	12L	3/8"	11.00	12.00	53.30	19
DP1MML-2206	M22X1.5	15L	3/8"	12.00	15.00	57.00	24
DP1MML-2208	M22X1.5	15L	1/2"	12.00	15.00	56.00	24
DP1MML-2610	M26X1.5	18L	5/8"	13.00	18.00	60.30	27
DP1MML-2612	M26X1.5	18L	3/4"	12.00	18.00	70.00	27
DP1MML-3012	M30X2	22L	3/4"	14.00	22.00	69.30	32
DP1MML-3612	M36X2	28L	3/4"	14.00	28.00	85.00	36
DP1MML-3616	M36X2	28L	1"	14.00	28.00	88.00	36
DP1MML-4520	M45X2	35L	1-1/4"	19.00	35.00	97.00	46
DP1MML-5220	M52X2	42L	1-1/4"	16.00	42.00	107.00	55
DP1MML-5224	M52X2	42L	1-1/2"	16.00	42.00	113.00	55

DP1MMS

Straight Connector Metric Male 24° Cone Heavy Type – Braided Hose And Spiral Hose

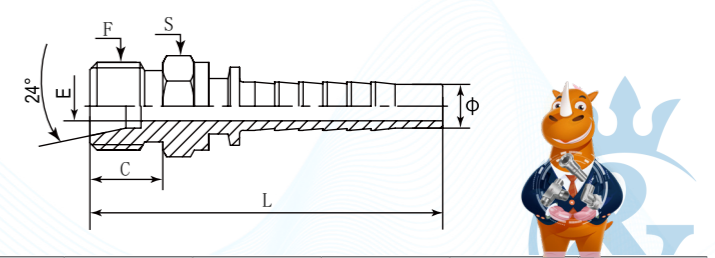
D	P	I	M	M	S
Company	Product Range	Fitting Structure	Thread Types	Connection Type	Pressure Grade
DME	Hose Fitting	Straight	Metric	Male	Heavy Type

German Technology Equipment

SHIELD FLEX

New-Standard

- DME&JDE Code: **DP1MMS**
- Product Type: **Hose Fitting**
- Hose Fitting Type: **Insert**
- Thread Type: **Metric 24° Cone Heavy Type**
- Structure: **Straight**
- Connection Type: **Male**



PART NUMBER	F (Thread)	Cone 24°	Ø	C	E	L	S
#	Metric	-	Inch	mm	mm	mm	mm
DP1MMS-1404	M14X1.5	06S	1/4"	12.00	6.00	51.50	14
DP1MMS-1604	M16X1.5	08S	1/4"	12.00	8.00	53.50	17
DP1MMS-1804	M18X1.5	10S	1/4"	12.00	10.00	54.00	19
DP1MMS-2006	M20X1.5	12S	3/8"	12.00	12.00	58.30	22
DP1MMS-2208	M22X1.5	14S	1/2"	14.00	14.00	60.30	24
DP1MMS-2408	M24X1.5	16S	1/2"	14.00	16.00	63.30	27
DP1MMS-3010	M30X2	20S	5/8"	16.00	20.00	69.30	32
DP1MMS-3012	M30X2	20S	3/4"	16.00	20.00	77.30	32
DP1MMS-3612	M36X2	25S	3/4"	18.00	25.00	79.30	41
DP1MMS-3616	M36X2	25S	1"	18.00	25.00	92.00	36
DP1MMS-4216	M42X2	30S	1"	20.00	30.00	96.00	46
DP1MMS-4220	M42X2	30S	1-1/4"	20.00	30.00	103.00	46
DP1MMS-5220	M52X2	38S	1-1/4"	22.00	38.00	107.00	55
DP1MMS-5224	M52X2	38S	1-1/2"	22.00	38.00	117.00	55



DP1ORM

Straight Connector ORFS Male – Braided Hose And Spiral Hose

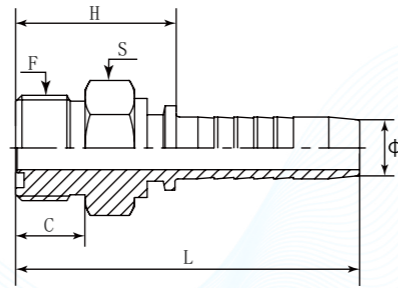
D	P	I	OR	M
Company	Product Range	Fitting Structure	Standard	Connection Type
DME	Hose Fitting	Straight	ORFS	Male

German Technology Equipment

SHIELD FLEX

New-Standard

- DME&JDE Code: **DP1ORM**
- Product Type: **Hose Fitting**
- Hose Fitting Type: **Insert**
- Thread Type: **UNF**
- Structure: **Straight**
- Connection Type: **Male**



PART NUMBER	F (Thread)	Ø	H	C	L	S
#	UNF	Inch	mm	mm	mm	mm
DP1ORM-0404	9/16"-18	1/4"	23.50	9.80	50.70	17
DP1ORM-0604	11/16"-16	1/4"	26.00	11.20	53.20	19
DP1ORM-0606	11/16"-16	3/8"	26.00	11.20	55.50	19
DP1ORM-0806	13/16"-16	3/8"	28.00	12.80	58.50	22
DP1ORM-0808	13/16"-16	1/2"	29.00	12.80	60.30	22
DP1ORM-1008	1"-14	1/2"	33.50	15.49	65.20	27
DP1ORM-1010	1"-14	5/8"	33.50	15.49	68.20	27
DP1ORM-1208	1-3/16"-12	1/2"	35.00	17.02	66.70	32
DP1ORM-1210	1-3/16"-12	5/8"	35.00	17.02	69.70	32
DP1ORM-1212	1-3/16"-12	3/4"	36.00	17.02	75.70	32
DP1ORM-1612	1-7/16"-12	3/4"	36.50	17.50	76.20	41
DP1ORM-1616	1-7/16"-12	1"	38.00	17.50	84.90	41
DP1ORM-2020	1-11/16"-12	1-1/4"	40.00	17.50	101.00	46
DP1ORM-2424	2"-12	1-1/2"	43.00	17.50	113.50	55



DP1NPM

Straight Connector NPTF Male – Braided Hose And Spiral Hose

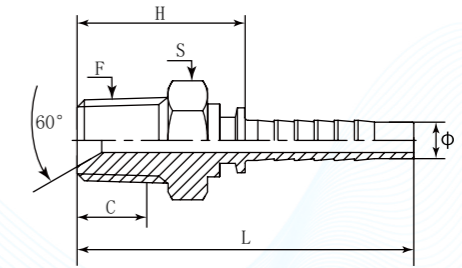
D	P	I	NP	M
Company	Product Range	Fitting Structure	Thread Types	Connection Type
DME	Hose Fitting	Straight	NPTF	Male

German Technology Equipment

SHIELD FLEX

New-Standard

- DME&JDE Code: **DP1NPM**
- Product Type: **Hose Fitting**
- Hose Fitting Type: **Insert**
- Thread Type: **NPTF**
- Structure: **Straight**
- Connection Type: **Male**



PART NUMBER	F (Thread)	Ø	H	C	L	S
#	NPTF	Inch	mm	mm	mm	mm
DP1NPM-0204	1/8"-27	1/4"	22.20	10.50	50.00	12
DP1NPM-0404	1/4"-18	1/4"	27.70	15.00	55.50	17
DP1NPM-0406	1/4"-18	3/8"	27.20	15.00	57.00	17
DP1NPM-0604	3/8"-18	1/4"	29.20	16.00	57.00	19
DP1NPM-0606	3/8"-18	3/8"	29.50	16.00	59.20	19
DP1NPM-0608	3/8"-18	1/2"	30.70	16.00	62.00	19
DP1NPM-0804	1/2"-14	1/4"	33.90	19.50	61.70	22
DP1NPM-0806	1/2"-14	3/8"	34.20	19.50	64.00	22
DP1NPM-0808	1/2"-14	1/2"	34.70	19.50	66.00	22
DP1NPM-0810	1/2"-14	5/8"	37.00	19.50	70.80	24
DP1NPM-0812	1/2"-14	3/4"	38.40	19.50	78.00	27
DP1NPM-1208	3/4"-14	1/2"	37.80	19.50	69.10	27
DP1NPM-1210	3/4"-14	5/8"	38.00	19.50	71.80	27
DP1NPM-1212	3/4"-14	3/4"	38.40	19.50	78.00	27
DP1NPM-1612	1"-11-1/2	3/4"	44.40	25.50	84.00	36
DP1NPM-1616	1"-11-1/2	1"	44.50	25.50	92.00	36
DP1NPM-2016	1-1/4"-11-1/2	1"	47.50	26.50	95.00	46
DP1NPM-2020	1-1/4"-11-1/2	1-1/4"	49.00	26.50	103.00	46
DP1NPM-2424	1-1/2"-11-1/2	1-1/2"	51.00	27.50	119.00	50
DP1NPM-3232	2"-11-1/2	2"	55.00	27.50	127.00	65



DP1ORF

Straight Connector ORFS Female – Braided Hose And Spiral Hose

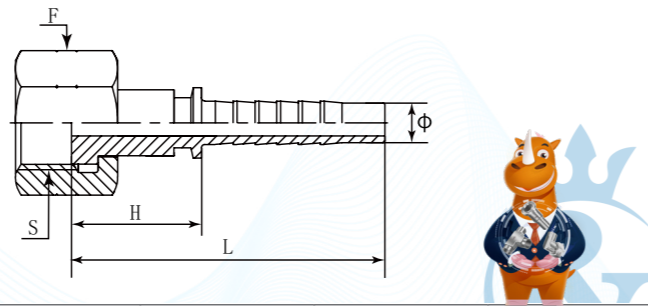
D	P	I	OR	F
Company	Product Range	Fitting Structure	Thread Types	Connection Type
DME	Hose Fitting	Straight	ORFS	Female

German Technology Equipment

SHIELD FLEX

New-Standard

- DME&JDE Code: **DP1ORF**
- Product Type: **Hose Fitting**
- Hose Fitting Type: **Insert**
- Thread Type: **UNF**
- Structure: **Straight**
- Connection Type: **Female**



PART NUMBER	F (Thread)	Ø	H	L	S
#	UNF	Inch	mm	mm	mm
DP1ORF-0404	9/16"-18	1/4"	21.00	49.50	19
DP1ORF-0604	11/16"-16	1/4"	23.00	51.50	22
DP1ORF-0606	11/16"-16	3/8"	23.00	53.50	22
DP1ORF-0806	13/16"-16	3/8"	26.00	56.50	27
DP1ORF-0808	13/16"-16	1/2"	26.50	59.50	27
DP1ORF-1008	1"-14	1/2"	30.00	63.00	30
DP1ORF-1010	1"-14	5/8"	30.00	66.00	30
DP1ORF-1210	1-3/16"-12	5/8"	33.00	69.00	36
DP1ORF-1212	1-3/16"-12	3/4"	33.50	74.50	36
DP1ORF-1616	1-7/16"-12	1"	35.50	90.50	41
DP1ORF-2020	1-11/16"-12	1-1/4"	36.00	97.00	50
DP1ORF-2424	2"-12	1-1/2"	36.50	107.00	60

DP1MFF

Straight Connector Metric Female - Braided Hose And Spiral Hose

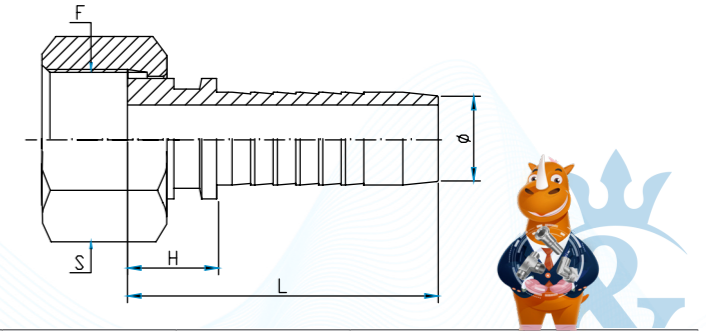
D	P	I	M	F	F
Company	Product Range	Fitting Structure	Thread Types	Connection Type	Sealing Method
DME	Hose Fitting	Straight	Metric	Female	O-Ring

German Technology Equipment

SHIELD FLEX

New-Standard

- DME&JDE Code: **DP1MFF**
- Product Type: **Hose Fitting**
- Hose Fitting Type: **Insert**
- Thread Type: **UNF**
- Structure: **Straight**
- Connection Type: **Female**
- Sealing Method: **O rings**



PART NUMBER	F (Thread)	Ø	H	L	S
#	Metric	mm	mm	mm	mm
DP1MFF-1404	M14×1.5	1/4"	15.5	44.0	19
DP1MFF-1604	M16×1.5	1/4"	15.0	43.5	19
DP1MFF-1804	M18×1.5	1/4"	16.0	44.5	22
DP1MFF-2006	M20×1.5	3/8"	17.0	47.0	27
DP1MFF-2208	M22×1.5	1/2"	17.5	48.8	27
DP1MFF-2408	M24×1.5	1/2"	17.5	48.8	30
DP1MFF-3010	M30×2	5/8"	19.2	58.8	36
DP1MFF-3012	M30×2	3/4"	19.2	58.8	36
DP1MFF-3612	M36×2	3/4"	20.7	60.3	46
DP1MFF-3616	M36×2	1"	20.7	69.0	46
DP1MFF-4216	M42×2	1"	26.0	73.2	50
DP1MFF-4220	M42×2	1-1/4"	26.0	80.0	50
DP1MFF-5220	M52×2	1-1/4"	26.0	80.0	60
DP1MFF-5224	M52×2	1-1/2"	26.0	94.0	60



DP1MFS

Straight Connector Metric Female 24° Cone Heavy Type – Braided Hose And Spiral Hose

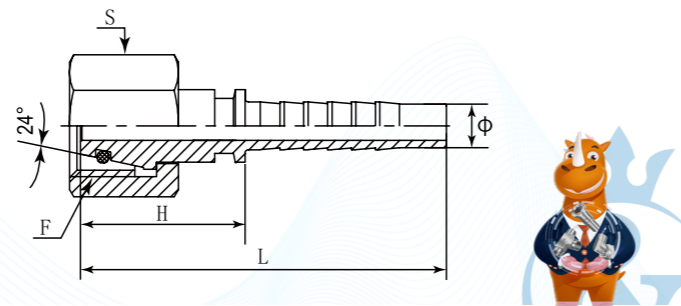
D	P	I	M	F	S
Company	Product Range	Fitting Structure	Thread Types	Connection Type	Pressure Grade
DME	Hose Fitting	Straight	Metric	Female	Heavy Type

German Technology Equipment

SHIELD FLEX

New-Standard

- DME&JDE Code: **DP1MFS**
- Product Type: **Hose Fitting**
- Hose Fitting Type: **Insert**
- Thread Type: **Metric 24° Cone Heavy Type**
- Structure: **Straight**
- Connection Type: **Female**



PART NUMBER	F (Thread)	Cone 24°	Ø	H	L	S
#	Metric	-	mm	mm	mm	mm
DP1MFS-1404	M14X1.5	06S	1/4"	22.70	50.50	17
DP1MFS-1604	M16X1.5	08S	1/4"	24.20	52.00	19
DP1MFS-1804	M18X1.5	10S	1/4"	24.70	52.50	22
DP1MFS-2006	M20X1.5	12S	3/8"	25.50	55.30	24
DP1MFS-2208	M22X1.5	14S	1/2"	27.00	58.30	27
DP1MFS-2408	M24X1.5	16S	1/2"	27.00	58.30	30
DP1MFS-3010	M30X2	20S	5/8"	33.50	67.30	36
DP1MFS-3012	M30X2	20S	3/4"	33.70	73.30	36
DP1MFS-3612	M36X2	25S	3/4"	30.70	70.30	46
DP1MFS-3616	M36X2	25S	1"	32.50	79.00	46
DP1MFS-4216	M42X2	30S	1"	35.50	82.00	50
DP1MFS-4220	M42X2	38S	1-1/4"	35.50	90.00	50
DP1MFS-5220	M52X2	38S	1-1/4"	35.00	89.00	60
DP1MFS-5224	M52X2	38S	1-1/2"	48.00	118.00	60

DP1MFL

Straight Connector Metric Female 24° Cone Light Type – Braided Hose And Spiral Hose

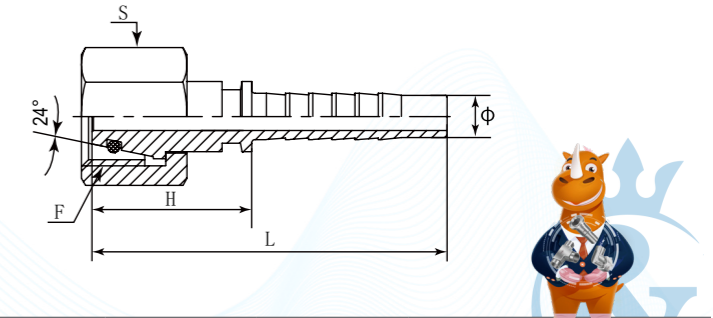
D	P	I	M	F	L
Company	Product Range	Fitting Structure	Thread Types	Connection Type	Pressure Grade
DME	Hose Fitting	Straight	Metric	Female	Light Type

German Technology Equipment

SHIELD FLEX

New-Standard

- DME&JDE Code: **DP1MFL**
- Product Type: **Hose Fitting**
- Hose Fitting Type: **Insert**
- Thread Type: **Metric 24° Cone Light Type**
- Structure: **Straight**
- Connection Type: **Female**



PART NUMBER	F (Thread)	Cone 24°	Ø	H	L	S
#	Metric	-	mm	mm	mm	mm
DP1MFL-1204	M12X1.5	06L	1/4"	22.70	49.50	14
DP1MFL-1404	M14X1.5	08L	1/4"	22.70	50.50	17
DP1MFL-1406	M14X1.5	10L	3/8"	23.00	52.80	17
DP1MFL-1604	M16X1.5	10L	1/4"	21.70	49.50	19
DP1MFL-1606	M16X1.5	10L	3/8"	24.80	54.60	19
DP1MFL-1806	M18X1.5	12L	3/8"	25.50	55.30	22
DP1MFL-2206	M22X1.5	15L	3/8"	25.50	55.30	27
DP1MFL-2208	M22X1.5	15L	1/2"	26.00	57.30	27
DP1MFL-2210	M22X1.5	18L	5/8"	25.00	58.80	27
DP1MFL-2610	M26X1.5	18L	5/8"	31.50	65.30	32
DP1MFL-2612	M26X1.5	18L	3/4"	28.00	68.00	32
DP1MFL-3012	M30X2	22L	3/4"	32.20	71.80	36
DP1MFL-3612	M36X2	28L	3/4"	34.70	74.30	41
DP1MFL-3616	M36X2	28L	1"	34.80	82.00	41
DP1MFL-4520	M45X2	35L	1-1/4"	35.00	89.00	55
DP1MFL-5220	M52X2	42L	1-1/4"	39.00	100.00	60
DP1MFL-5224	M52X2	42L	1-1/2"	38.00	106.00	60

Certificate: **ISO 9001** **ISO 14001** **MSHA** **DAkks** **DEKRA** **DIN** **SE** **MA** **USF**

DP1KSF

Straight Connector JIS Metric Female 60° Cone – Braided Hose And Spiral Hose

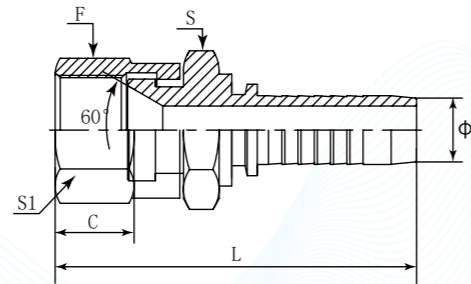
D	P	I	KS	F
Company	Product Range	Fitting Structure	Thread Types	Connection Type
DME	Hose Fitting	Straight	JIS Metric	Female

German Technology Equipment



New-Standard

- DME&JDE Code: **DP1KSF**
- Product Type: **Hose Fitting**
- Hose Fitting Type: **Insert**
- Thread Type: **JIS Metric 60° Cone**
- Structure: **Straight**
- Connection Type: **Female**



PART NUMBER	F (Thread)	Ø	C	L	S	S1
#	Metric	Inch	mm	mm	mm	mm
DP1KSF-1204	M12X1.5	1/4"	9.00	48.50	17.00	17
DP1KSF-1404	M14X1.5	1/4"	10.50	51.50	19.00	19
DP1KSF-1406	M14X1.5	3/8"	10.50	51.00	19.00	19
DP1KSF-1604	M16X1.5	1/4"	10.00	52.50	17.00	22
DP1KSF-1605	M16X1.5	5/16"	10.00	54.00	17.00	22
DP1KSF-1606	M16X1.5	3/8"	10.00	54.00	17.00	22
DP1KSF-1806	M18X1.5	3/8"	11.50	54.00	24.00	24
DP1KSF-1808	M18X1.5	1/2"	11.50	57.50	24.00	24
DP1KSF-2008	M20X1.5	1/2"	12.00	61.50	27.00	24
DP1KSF-2208	M22X1.5	1/2"	14.00	58.50	27.00	27
DP1KSF-2408	M24X1.5	1/2"	15.00	60.50	30.00	30
DP1KSF-2410	M24X1.5	5/8"	15.00	64.00	30.00	30
DP1KSF-3012	M30X1.5	3/4"	18.30	69.50	36.00	36
DP1KSF-3312	M33X1.5	3/4"	21.30	72.00	41.00	41
DP1KSF-3316	M33X1.5	1"	21.30	87.00	41.00	41
DP1KSF-3620	M36X1.5	1-1/4"	20.00	96.50	46.00	46
DP1KSF-4224	M42X1.5	1-1/2"	18.80	107.00	55.00	55

DP1BPF

Straight Connector BSPP Swivel Female 60° Cone – Braided Hose And Spiral Hose

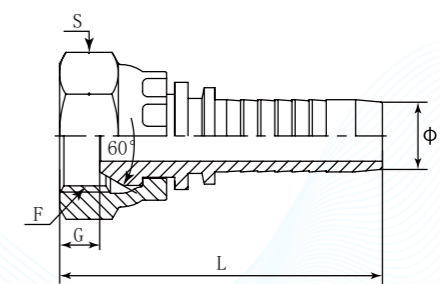
D	P	I	BP	F
Company	Product Range	Fitting Structure	Thread Types	Connection Type
DME	Hose Fitting	Straight	BSPP	Swivel Female

German Technology Equipment



New-Standard

- DME&JDE Code: **DP1BPF**
- Product Type: **Hose Fitting**
- Hose Fitting Type: **Insert**
- Thread Type: **BSPP 60° Cone**
- Structure: **Straight**
- Connection Type: **Swivel Female**



PART NUMBER	F (Thread)	Ø	G	L	S
#	BSPP	mm	mm	mm	mm
DP1BPF-0204	G 1/8"	1/4"	4.3	46.5	14
DP1BPF-0404	G 1/4"	1/4"	5.2	47.2	19
DP1BPF-0604	G 3/8"	1/4"	5.2	49.2	22
DP1BPF-0606	G 3/8"	3/8"	6	50.2	22
DP1BPF-0806	G 1/2"	3/8"	6.5	53.2	27
DP1BPF-0808	G 1/2"	1/2"	6.5	55.7	27
DP1BPF-1008	G 5/8"	1/2"	9.7	57.2	30
DP1BPF-1010	G 5/8"	5/8"	9.7	58.7	30
DP1BPF-1212	G 3/4"	3/4"	8.7	67.6	32
DP1BPF-1616	G 1"	1"	10.5	84.8	41
DP1BPF-2020	G 1-1/4"	1-1/4"	10.1	93.9	50
DP1BPF-2424	G 1-1/2"	1-1/2"	12.5	106.5	55
DP1BPF-3232	G 2"	2"	16.1	113	70



DP1JCF

Straight Connector JIC Swivel Female 74° Cone – Braided Hose And Spiral Hose

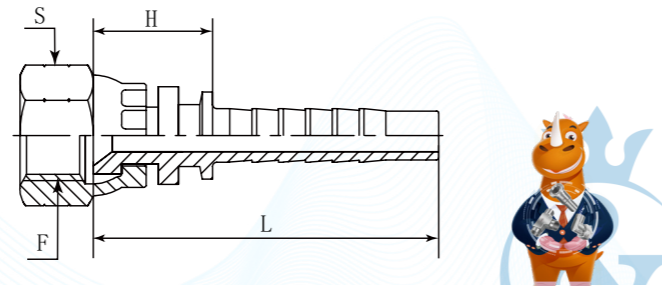
D	P	I	JC	F
Company	Product Range	Fitting Structure	Thread Types	Connection Type
DME	Hose Fitting	Straight	JIC	Swivel Female

German Technology Equipment

SHIELD FLEX

New-Standard

- DME&JDE Code: **DP1JCF**
- Product Type: **Hose Fitting**
- Hose Fitting Type: **Insert**
- Thread Type: **JIC 74° Cone**
- Structure: **Straight**
- Connection Type: **Swivel Female**



PART NUMBER	F (Thread)	Ø	H	L	S
#	UNF	mm	mm	mm	mm
DP1JCF-0404	7/16"-20	1/4"	15.20	43.00	17
DP1JCF-0504	1/2"-20	1/4"	15.20	43.00	17
DP1JCF-0505	1/2"-20	5/16"	15.50	45.20	17
DP1JCF-0604	9/16"-18	1/4"	14.70	42.50	19
DP1JCF-0606	9/16"-18	1/4"	15.70	45.50	19
DP1JCF-0806	3/4"-16	3/8"	17.70	47.50	24
DP1JCF-0808	3/4"-16	1/2"	18.20	49.50	24
DP1JCF-1008	7/8"-14	1/2"	19.20	50.50	27
DP1JCF-1010	7/8"-14	5/8"	19.70	53.50	27
DP1JCF-1012	7/8"-14	3/4"	20.70	60.30	27
DP1JCF-1208	1-1/16"-12	1/2"	20.50	51.80	32
DP1JCF-1210	1-1/16"-12	5/8"	21.20	55.00	32
DP1JCF-1212	1-1/16"-12	3/4"	21.40	61.00	32
DP1JCF-1216	1-1/16"-12	1"	22.20	69.70	32
DP1JCF-1612	1-5/16"-12	3/4"	21.70	61.30	41
DP1JCF-1616	1-5/16"-12	1"	22.50	70.00	41
DP1JCF-2016	1-5/8"-12	1"	24.50	72.00	50
DP1JCF-2020	1-5/8"-12	1-1/4"	26.00	80.00	50
DP1JCF-2420	1-7/8"-12	1-1/4"	26.50	80.50	55
DP1JCF-2424	1-7/8"-12	1-1/2"	26.50	94.50	55
DP1JCF-3232	2-1/2"-12	2"	27.00	99.00	70

DP1TYF

Straight Connector JIS BSPP Swivel Female 60° Cone – Braided Hose And Spiral Hose

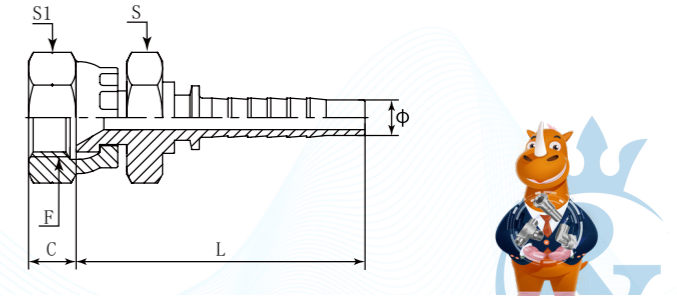
D	P	I	TY	M
Company	Product Range	Fitting Structure	Thread Types	Connection Type
DME	Hose Fitting	Straight	JIS BSPP	Swivel Female

German Technology Equipment

SHIELD FLEX

New-Standard

- DME&JDE Code: **DP1TYF**
- Product Type: **Hose Fitting**
- Hose Fitting Type: **Insert**
- Thread Type: **JIC BSPP 60° Cone**
- Structure: **Straight**
- Connection Type: **Swivel Female**



PART NUMBER	F (Thread)	Ø	C	L	S	S1
#	BSPP	Inch	mm	mm	mm	mm
DP1TYF-0404	1/4"-19	1/4"	8.00	48.50	19.00	19
DP1TYF-0604	3/8"-19	1/4"	9.00	51.50	22.00	22
DP1TYF-0606	3/8"-19	3/8"	9.00	53.00	22.00	22
DP1TYF-0806	1/2"-14	3/8"	12.00	58.00	27.00	27
DP1TYF-0808	1/2"-14	1/2"	12.00	57.80	27.00	27
DP1TYF-1010	5/8"-14	1/2"	11.50	66.50	30.00	30
DP1TYF-1210	3/4"-14	5/8"	13.50	66.50	32.00	32
DP1TYF-1212	3/4"-14	3/4"	13.50	71.00	32.00	32
DP1TYF-1616	1"-11	1"	16.00	80.50	41.00	41
DP1TYF-2020	1-1/4"-11	1-1/4"	18.50	104.00	50.00	50
DP1TYF-2424	1-1/2"-11	1-1/2"	19.00	115.00	55.00	55
DP1TYF-3232	2"-11	2"	23.00	122.50	70.00	70

DP1NPS

Straight Connector NPSM Swivel Female 60° Cone – Braided Hose And Spiral Hose

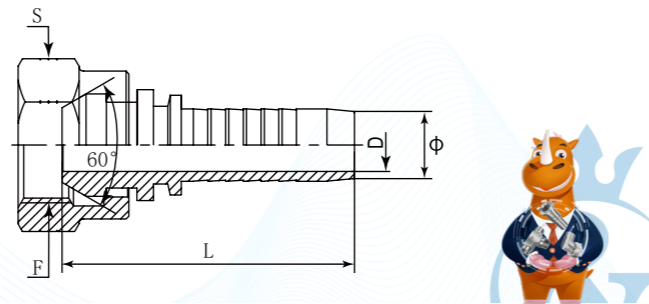
D	P	1	NPS
Company	Product Range	Fitting Structure	Thread Types
DME	Hose Fitting	Straight	NPSM

German Technology Equipment

SHIELD FLEX

New-Standard

- DME&JDE Code: **DP1NPS**
- Product Type: **Hose Fitting**
- Hose Fitting Type: **Insert**
- Thread Type: **NPTF 60° Cone**
- Structure: **Straight**
- Connection Type: **Swivel Female**



PART NUMBER	F (Thread)	Ø	L	S
#	NPSM	Inch	mm	mm
DP1NPS-0404	1/4"-18	1/4"	45.50	19
DP1NPS-0606	3/8"-18	3/8"	49.70	22
DP1NPS-0806	1/2"-14	3/8"	53.20	27
DP1NPS-0808	1/2"-14	1/2"	55.70	27
DP1NPS-1212	3/4"-14	3/4"	67.60	32
DP1NPS-1616	1"-11-1/2	1"	84.80	41
DP1NPS-2020	1-1/4"-11-1/2	1-1/4"	93.90	50
DP1NPS-2424	1-1/2"-11-1/2	1-1/2"	106.50	55
DP1NPS-3232	2"-11-1/2	2"	113.00	70



DP1FL

Straight Connector SAE Flange Code 61 – Braided Hose And Spiral Hose

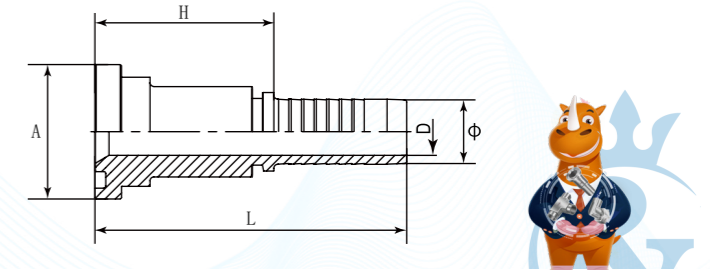
D	P	1	FL
Company	Product Range	Fitting Structure	Connection Type
DME	Hose Fitting	Straight	SAE Flange Code 61

German Technology Equipment

SHIELD FLEX

New-Standard

- DME&JDE Code: **DP1FL**
- Product Type: **Hose Fitting**
- Hose Fitting Type: **Insert**
- Structure: **Straight**
- Connection Type: **Flange Code 61**



PART NUMBER	Flange	Ø	H	L	A
#	-	Inch	mm	mm	mm
DP1FL-0808	8	1/2"	48.50	81.50	30.20
DP1FL-0810	8	5/8"	46.50	82.50	30.20
DP1FL-1212	12	3/4"	53.50	94.50	38.00
DP1FL-1612	16	3/4"	59.50	100.50	44.50
DP1FL-1616	16	1"	60.50	115.50	44.50
DP1FL-2016	20	1"	65.00	120.00	50.80
DP1FL-2020	20	1-1/4"	65.50	126.50	50.80
DP1FL-2420	24	1-1/4"	70.00	130.00	60.40
DP1FL-2424	24	1-1/2"	70.50	141.00	60.40
DP1FL-3232	32	2"	77.00	153.00	71.40



DP1FS

Straight Connector SAE Flange Code 62 – Braided Hose And Spiral Hose

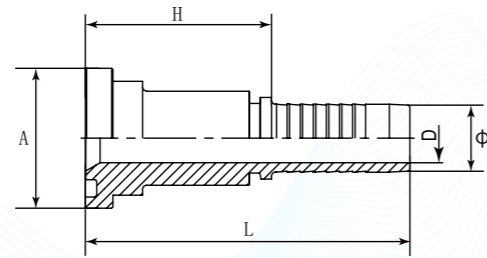
D	P	I	FS
Company	Product Range	Fitting Structure	Connection Type
DME	Hose Fitting	Straight	SAE Flange Code 62

German Technology Equipment

SHIELD FLEX

New-Standard

- DME&JDE Code: **DP1FS**
- Product Type: **Hose Fitting**
- Hose Fitting Type: **Insert**
- Structure: **Straight**
- Connection Type: **Flange Code 62**



PART NUMBER	Flange	Ø	H	L	A	D
#	-	Inch	mm	mm	mm	mm
DP1FS-0808	8	1/2"	49.50	82.50	31.80	9.00
DP1FS-0810	8	5/8"	53.00	89.00	31.80	9.00
DP1FS-1212	12	3/4"	60.00	89.80	41.20	15.00
DP1FS-1612	16	3/4"	62.50	103.50	47.80	9.60
DP1FS-1616	16	1"	66.50	104.00	47.80	20.00
DP1FS-2016	20	1"	70.50	120.00	53.90	26.00
DP1FS-2020	20	1-1/4"	71.00	132.00	53.90	10.40
DP1FS-2420	24	1-1/4"	80.50	141.50	63.50	12.70
DP1FS-2424	24	1-1/2"	81.00	151.50	63.50	12.70
DP1FS-3232	32	2"	100.00	176.00	79.40	12.70

Web: <https://www.dmejde.com>
E-mail: info@dmejde.com



DP1MP

Straight Connector Metric Standard Pipe DIN Type

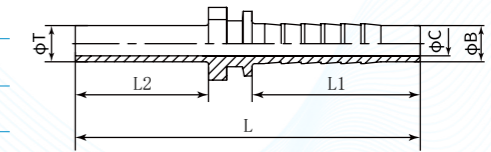
D	P	I	M	P
Company	Product Range	Fitting Structure	Thread Types	Connection Type
DME	Hose Fitting	Straight	Metric	Standard Pipe

German Technology Equipment

SHIELD FLEX

New-Standard

- DME&JDE Code: **DP1MP**
- Product Type: **Hose Fitting**
- Hose Fitting Type: **Insert**
- Thread Type: **Metric**
- Structure: **Straight**



PART NUMBER	T (Pipe Dia.)	B (Hose Bore)	L	L1	L2	C
#	mm	mm	mm	mm	mm	mm
DP1MP-0603	6L	3/16"	52	24	24	3
DP1MP-0604	6L	1/4"	57	28	25	3
DP1MP-0803	8L	3/16"	52	24	24	3
DP1MP-0804	8L	1/4"	58.5	28	25	4
DP1MP-0805	8L	5/16"	60.7	28	27	4.9
DP1MP-0806	8L	3/8"	60.8	29.5	26.5	6.9
DP1MP-1005	10L	5/16"	63.2	28	27	4.9
DP1MP-1006	10L	3/8"	63.3	29.5	26.5	6.9
DP1MP-1004	10S	1/4"	61	28	28	4
DP1MP-1206	12L	3/8"	62.8	29.5	26.5	6.9
DP1MP-1208	12L	1/2"	64.8	29.5	28	9.5
DP1MP-1204	12S	1/4"	59	28	26.5	4
DP1MP-1205	12S	5/16"	62.7	28	26	4.9
DP1MP-1406	14S	3/8"	67.5	29.5	33	7
DP1MP-1408	14S	1/2"	66.8	29.5	33	9.3
DP1MP-1506	15L	3/8"	64.8	29.5	27.5	6.9
DP1MP-1508	15L	1/2"	65	29.5	30	9.5
DP1MP-1608	16S	1/2"	68	29.5	35	9.3
DP1MP-1808	18L	1/2"	65	29.5	30.5	9.5
DP1MP-1810	18L	5/8"	68	34	30	13
DP1MP-1812	18L	3/4"	76	39	30	15
DP1MP-2008	20S	1/2"	74.5	29.5	39.5	9.5
DP1MP-2010	20S	5/8"	86.3	34	37.7	13
DP1MP-2012	20S	3/4"	92.1	39	40	15
DP1MP-2210	22L	5/8"	72.8	34	33	12
DP1MP-2212	22L	3/4"	83	39	37	15
DP1MP-2512	25S	3/4"	95.3	39	44.3	15
DP1MP-2516	25S	1"	93	47	39	19
DP1MP-2816	28L	1"	93	47	39	19
DP1MP-3016	30S	1"	95	47	41	19
DP1MP-3520	35L	1-1/4"	110	54.5	47	26
DP1MP-3820	38S	1-1/4"	110	54.5	47	26
DP1MP-4224	42L	1-1/2"	112.5	58	46	32

Web: <https://www.dmejde.com>
E-mail: info@dmejde.com



DP4MP

45° Elbow Metric Standard Pipe DIN Type – Braided Hose And Spiral Hose

D	P	4	M	P
Company	Product Range	Fitting Structure	Thread Types	Connection Type
DME	Hose Fitting	45° Elbow	Metric	Standard Pipe

German Technology Equipment

SHIELD FLEX

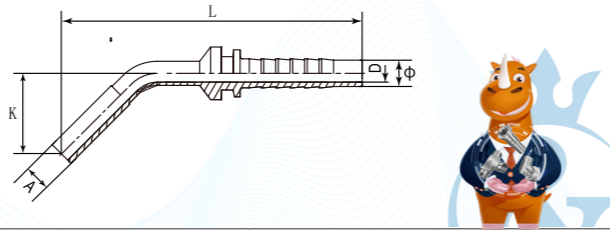
New-Standard

DME&JDE Code: **DP4MP**

Product Type: **Hose Fitting**

Hose Fitting Type: **Insert**

Structure: **45° Elbow**



PART NUMBER	A	Ø	D	L	K
#	mm	Inch	mm	mm	mm
DP4MP-0603	6	3/16"	2.50	58.00	14.00
DP4MP-0604	6	1/4"	4.00	75.50	26.50
DP4MP-0804	8	1/4"	4.00	78.00	28.00
DP4MP-1004	10	1/4"	4.00	82.50	29.50
DP4MP-1005	10	5/16"	4.90	80.70	17.00
DP4MP-1006	10	3/8"	6.90	82.80	27.14
DP4MP-1205	12	5/16"	4.90	83.00	18.00
DP4MP-1206	12	3/8"	6.90	81.80	17.00
DP4MP-1406	14	3/8"	6.90	84.00	18.00
DP4MP-1408	14	1/2"	9.30	100.70	33.70
DP4MP-1508	15	1/2"	9.30	99.30	31.50
DP4MP-1608	22	1/2"	15.00	120.10	30.00
DP4MP-1810	18	5/8"	13.00	102.80	24.00
DP4MP-2010	20	5/8"	13.00	106.00	25.00
DP4MP-2012	20	3/4"	15.00	123.60	28.00
DP4MP-2212	22	3/4"	15.00	125.00	29.00
DP4MP-2512	25	3/4"	15.00	127.00	30.00
DP4MP-2816	28	1"	20.00	151.50	33.00
DP4MP-3016	30	1"	20.00	155.00	35.00
DP4MP-3520	35	1-1/4"	26.00	174.00	52.00
DP4MP-3820	38	1-1/4"	26.00	176.00	54.00

DP9MP

90° Elbow Metric Standard Pipe DIN Type – Braided Hose And Spiral Hose

D	P	9	M	P
Company	Product Range	Fitting Structure	Thread Types	Connection Type
DME	Hose Fitting	90° Elbow	Metric	Standard Pipe

German Technology Equipment

SHIELD FLEX

New-Standard

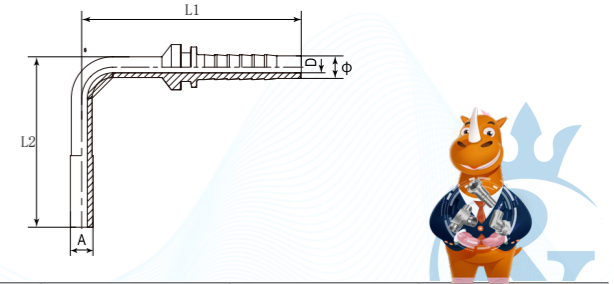
DME&JDE Code: **DP9MP**

Product Type: **Hose Fitting**

Hose Fitting Type: **Insert**

Structure: **90° Elbow**

Thread Types: **Metric**



PART NUMBER	A	Ø	D	L1	L2
#	mm	Inch	mm	mm	mm
DP9MP-0603	6	3/16"	3.00	49.00	32.00
DP9MP-0604	6	1/4"	4.00	52.00	32.00
DP9MP-0803	8	3/16"	3.00	54.00	34.00
DP9MP-0804	8	1/4"	4.00	57.00	34.00
DP9MP-0805	8	5/16"	4.90	54.70	34.00
DP9MP-1004	10	1/4"	4.00	60.00	40.00
DP9MP-1005	10	5/16"	4.90	56.70	40.00
DP9MP-1006	10	3/8"	6.90	56.80	40.00
DP9MP-1204	12	1/4"	4.00	62.00	44.00
DP9MP-1205	12	5/16"	4.90	63.20	44.00
DP9MP-1206	12	3/8"	6.90	65.00	45.00
DP9MP-1406	14	3/8"	6.90	68.30	46.00
DP9MP-1408	14	1/2"	9.30	74.80	46.00
DP9MP-1506	15	3/8"	6.90	70.00	46.00
DP9MP-1508	15	1/2"	6.90	72.00	46.00
DP9MP-1608	16	1/2"	9.30	75.00	46.00
DP9MP-1808	18	1/2"	9.30	76.00	48.00
DP9MP-1810	18	5/8"	13.00	78.00	50.00
DP9MP-2010	20	5/8"	13.00	82.00	55.00
DP9MP-2012	20	3/4"	15.00	89.00	70.00
DP9MP-2210	22	5/8"	13.00	92.00	70.00
DP9MP-2212	22	3/4"	15.00	95.60	70.00
DP9MP-2512	25	3/4"	15.00	102.00	75.00
DP9MP-2816	28	1"	20.00	120.70	83.50
DP9MP-3016	30	1"	22.00	125.00	85.00
DP9MP-3520	35	1-1/4"	24.00	130.00	88.00
DP9MP-3820	38	1-1/4"	28.00	140.00	90.00

Certificate:

DP1WF

Straight Connector Metric Female – Braided Hose And Spiral Hose

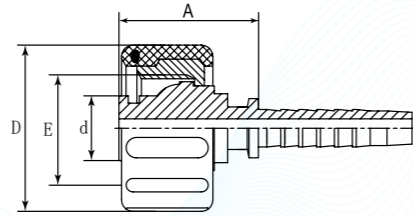
D	P	I	W	F
Company	Product Range	Fitting Structure	Medium	Connection Type
DME	Hose Fitting	Straight	Water	Female

German Technology Equipment

SHIELD FLEX

New-Standard

- DME&JDE Code: **DP1WF**
- Product Type: **Hose Fitting**
- Hose Fitting Type: **Insert**
- Structure: **Straight**
- Thread Types: **Metric**
- Connection Type: **Female**



PART NUMBER	E (Thread)	A	d	D
#	METRIC	mm	mm	mm
DP1WF-2204	M22X1.5	32.70	14.00	34.50
DP1WF-2205	M22X1.5	32.70	14.00	34.50
DP1WF-2206	M22X1.5	32.70	14.00	34.50

DPSTS

Socket Weld – Braided Hose And Spiral Hose

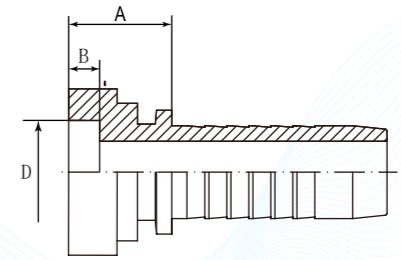
D	P	S	S	TS
Company	Product Range	Fitting Structure	Fitting Structure	Connection Type
DME	Hose Fitting	Socket	Socket	Weld Tube

German Technology Equipment

SHIELD FLEX

New-Standard

- DME&JDE Code: **DPSTS**
- Product Type: **Hose Fitting**
- Hose Fitting Type: **Insert**



PART NUMBER	D	Ø	A	B
#	mm	Inch	mm	mm
DPSTS-0806	8	3/8"	14.5	5
DPSTS-0906	9	3/8"	14.5	5
DPSTS-1006	10	3/8"	14.5	5
DPSTS-1008	10	1/2"	12.5	5
DPSTS-1308	13	1/2"	15	5
DPSTS-1510	15	3/8"	15.5	5
DPSTS-1612	16	3/4"	14	5
DPSTS-2012	20	3/4"	16.5	5
DPSTS-2216	22	1"	18	5



DDC

Pushlock Hose Joiner

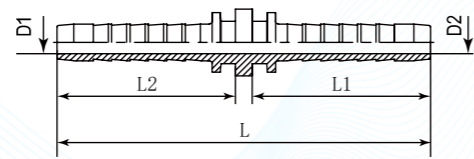
D **DC**
 Company Connection Type
DME Push lock

German Technology Equipment

SHIELD FLEX

New-Standard

- DME&JDE Code: **DDC**
- Product Type: **Hose Fitting**
- Hose Fitting Type: **Insert**
- Structure: **Straight**
- Connection Type: **Push lock**



PART NUMBER	D1	D2	L1	L2	L
#	mm	mm	mm	mm	mm
DDC-04	4.00	4.00	32.00	32.00	67.00
DDC-05	4.90	4.90	34.20	34.20	71.40
DDC-06	6.90	6.90	34.30	34.30	71.60
DDC-08	9.30	9.30	36.30	36.30	75.60
DDC-10	13.00	13.00	39.30	39.30	82.60
DDC-12	15.00	15.00	45.30	45.30	94.60
DDC-16	20.00	20.00	54.00	54.00	112.00
DDC-20	26.00	26.00	62.00	62.00	132.00
DDC-24	32.00	32.00	76.00	76.00	160.00
DDC-32	44.20	44.20	80.00	80.00	170.00

Web: <https://www.dmejde.com>
 E-mail: info@dmejde.com



BJBMP

Banjo Bolt Metric Male

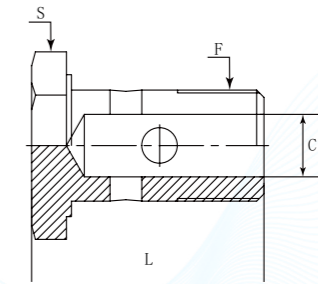
BJB **MP**
 Other Features Connection Type
 Banjo Bolt Metric Male

German Technology Equipment

SHIELD FLEX

New-Standard

- DME&JDE Code: **BJBMP**
- Product Type: **Hose Fitting**
- Hose Fitting Type: **Insert**
- Thread Type: **Metric**
- Connection Type: **Male**
- Other Features: **Banjo**



PART NUMBER	F (Thread)	C	L	S
#	Metric	mm	mm	mm
BJBMP-08	M8X1	4	23	12
BJBMP-12	M12X1.5	6	30	17
BJBMP-16	M16X1.5	9	45	22
BJBMP-18	M18X1.5	11	40	24
BJBMP-20	M20X1.5	11	48	27
BJBMP-22	M22X1.5	16	48.5	27
BJBMP-26	M26X1.5	18	55	32
BJBMP-30	M30X1.5	24	58	36
BJBMP-30	M30X1.5	24	58	36

Web: <https://www.dmejde.com>
 E-mail: info@dmejde.com



BJBM

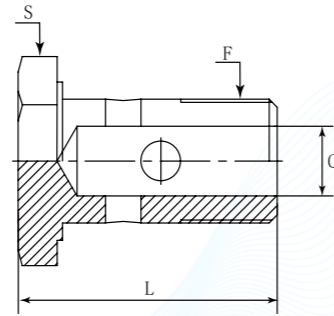
Banjo Bolt Metric Male

- BJB
Other Features
 Banjo Bolt
- M
Connection Type
 Metric Male

German Technology Equipment

New-Standard

- DME&JDE Code: BJBM
- Product Type: Hose Fitting
- Hose Fitting Type: Insert
- Thread Type: Metric
- Connection Type: Male
- Other Features: Banjo



PART NUMBER	F (Thread)	C	L	S
#	Metric	mm	mm	mm
BJBM-08	8X1	4	23	12
BJBM-10	10X1	4	25	17
BJBM-12	12X1.5	6	31	17
BJBM-14	14X1.5	8	35	19
BJBM-16	16X1.5	9	41	22
BJBM-18	18X1.5	10	44	24
BJBM-22	22X1.5	12.5	51.5	27
BJBM-26	26X1.5	16	55	32
BJBM-30	30X2	19	57	36

Web: <https://www.dmejde.com>
E-mail: info@dmejde.com



BJBBP

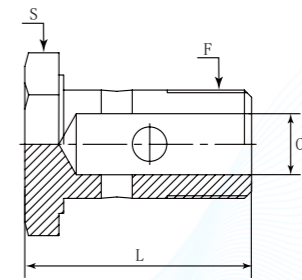
Banjo Bolt BSPP Male

- BJB
Other Features
 Banjo Bolt
- BP
Connection Type
 BSPP Male

German Technology Equipment

New-Standard

- DME&JDE Code: BJBBP
- Product Type: Hose Fitting
- Hose Fitting Type: Insert
- Thread Type: BSPP
- Connection Type: Male
- Other Features: Banjo



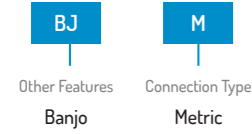
PART NUMBER	F (Thread)	C	L	S
#	BSPP	mm	mm	mm
BJBBP-02	1/8"	5	30	17
BJBBP-04	1/4"	6	33	19
BJBBP-06	3/8"	9	39	22
BJBBP-08	1/2"	11	52	27
BJBBP-10	5/8"	13	55	30
BJBBP-12	3/4"	15	59	32
BJBBP-16	1"	17.5	71	41

Web: <https://www.dmejde.com>
E-mail: info@dmejde.com



BJM

Banjo Metric

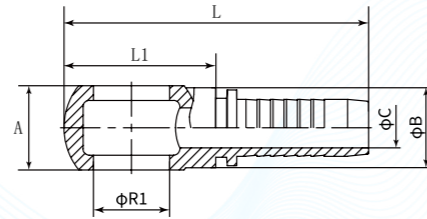


German Technology Equipment

SHIELD FLEX

New-Standard

- DME&JDE Code: **BJM**
- Product Type: **Hose Fitting**
- Hose Fitting Type: **Insert**
- Thread Type: **Metric**



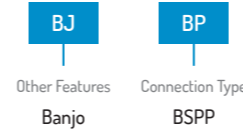
PART NUMBER	R1 (Thread)	B	L	L1	A	C
#	METRIC	mm	mm	mm	mm	mm
BJM-1003	10X1.5	3/16"	44.5	19	10	3
BJM-1004	10X1.5	1/4"	51.87	18.87	10.2	4
BJM-1204	12X1.5	1/4"	65.9	34	14	4
BJM-1205	12X1.5	5/16"	58.5	25.5	12.2	5.5
BJM-1206	12X1.5	3/8"	55	24.5	12	7
BJM-1404	14X1.5	1/4"	60.5	34	14	4
BJM-1405	14X1.5	5/16"	61	30.4	14	5.5
BJM-1406	14X1.5	3/8"	62.8	38	14	7
BJM-1604	16X1.5	1/4"	62.5	30	16	4
BJM-1605	16X1.5	5/16"	67	34	17	5.5
BJM-1606	16X1.5	3/8"	72.5	38	17	7
BJM-1804	18X1.5	1/4"	68	35.5	20	4
BJM-1805	18X1.5	5/16"	68	35.5	20	5.5
BJM-1806	16X1.5	3/8"	70.3	37.5	20	7
BJM-1808	18X1.5	1/2"	80.5	45.5	22	9.5
BJM-2206	22X1.5	3/8"	77.6	58.1	25	7
BJM-2208	22X1.5	1/2"	80.5	45.5	23.5	9.5
BJM-2210	22X1.5	5/8"	83.5	41.5	25	12
BJM-2612	26X1.5	3/4"	91.5	45.5	22	15
BJM-3012	30X1.5	3/4"	116	71	30	15
BJM-3016	30X1.5	1"	111	57	36	21
BJM-3020	30X1.5	1-1/4"	122	57	36	27

Web: <https://www.dmejde.com>
E-mail: info@dmejde.com



BJBP

Banjo BSPP

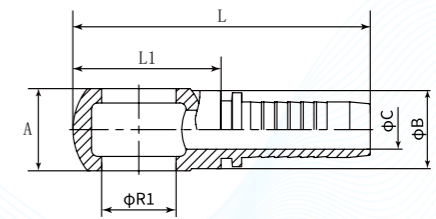


German Technology Equipment

SHIELD FLEX

New-Standard

- DME&JDE Code: **BJBP**
- Product Type: **Hose Fitting**
- Hose Fitting Type: **Insert**
- Thread Type: **BSPP**



PART NUMBER	R1 (Thread)	B	L	L1	A	C
#	BSPP	mm	mm	mm	mm	mm
BJBP-0204	1/8"	1/4"	58.5	26	16	4
BJBP-0404	1/4"	1/4"	65.9	34	14	4
BJBP-0406	1/4"	3/8"	61.5	27	15	7
BJBP-0604	3/8"	1/4"	64.5	32	15	7
BJBP-0605	3/8"	5/16"	67	34	17	5.5
BJBP-0606	3/8"	3/8"	72.5	38	17	7
BJBP-0806	1/2"	3/8"	80	45.5	23.5	7
BJBP-0808	1/2"	1/2"	80.5	45.5	23.5	9.5
BJBP-1212	3/4"	3/4"	99.8	53.8	29	15
BJBP-1616	1"	1"	126.5	72.5	38	19

Web: <https://www.dmejde.com>
E-mail: info@dmejde.com



DP4MFL

45° Elbow Metric Female 24° Cone Light Type – Braided Hose And Spiral Hose

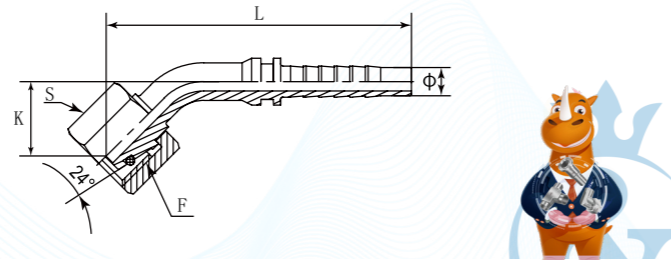
German Technology Equipment



New-Standard

- D**
Company
DME
- P**
Product Range
Hose Fitting
- 4**
Fitting Structure
45° Elbow
- M**
Thread Types
Metric
- F**
Connection Type
Female
- L**
Pressure Grade
Light Type

- DME&JDE Code:** DP4MFL
- Product Type:** Hose Fitting
- Hose Fitting Type:** Insert
- Thread Type:** Metric 24° Cone Light Type
- Structure:** 45° Elbow
- Connection Type:** Female



PART NUMBER	F (Thread)	Cone 24°	Ø	K	L	S
#	Metric	-	mm	mm	mm	mm
DP4MFL-1204	M12X1.5	06L	1/4"	20.00	70.80	14
DP4MFL-1404	M14X1.5	08L	1/4"	16.00	69.00	17
DP4MFL-1604	M16X1.5	10L	1/4"	17.00	65.80	19
DP4MFL-1606	M16X1.5	10L	3/8"	17.00	75.80	19
DP4MFL-1806	M18X1.5	12L	3/8"	23.00	74.80	22
DP4MFL-2206	M22X1.5	15L	3/8"	17.00	77.80	27
DP4MFL-2208	M22X1.5	15L	1/2"	25.80	83.30	27
DP4MFL-2610	M26X1.5	18L	5/8"	30.00	95.80	32
DP4MFL-2612	M26X1.5	22L	3/4"	30.00	107.60	32
DP4MFL-3012	M30X2	22L	3/4"	30.00	107.60	36
DP4MFL-3612	M36X2	22L	3/4"	38.00	107.60	46
DP4MFL-3616	M36X2	28L	1"	38.00	128.50	46
DP4MFL-4520	M45X2	35L	1-1/4"	45.00	147.00	55
DP4MFL-5220	M52X2	35L	1-1/4"	51.00	147.00	60
DP4MFL-5224	M52X2	42L	1-1/2"	51.00	164.00	60



DP4MFS

45° Elbow Metric Female 24° Cone Heavy Type – Braided Hose And Spiral Hose

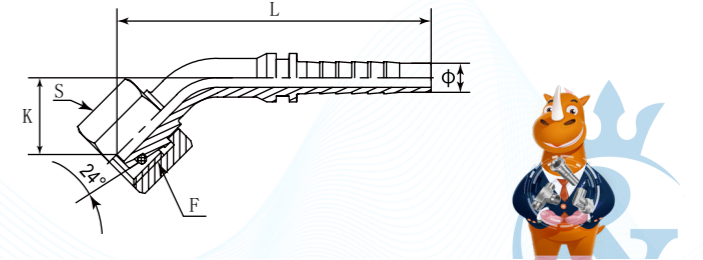
German Technology Equipment



New-Standard

- D**
Company
DME
- P**
Product Range
Hose Fitting
- 4**
Fitting Structure
45° Elbow
- M**
Thread Types
Metric
- F**
Connection Type
Female
- S**
Pressure Grade
Heavy Type

- DME&JDE Code:** DP4MFS
- Product Type:** Hose Fitting
- Hose Fitting Type:** Insert
- Thread Type:** Metric 24° Cone Heavy Type
- Structure:** 45° Elbow
- Connection Type:** Female



PART NUMBER	F (Thread)	Cone 24°	Ø	K	L	S
#	Metric	-	mm	mm	mm	mm
DP4MFS-1404	M14X1.5	06S	1/4"	16.00	65.80	17
DP4MFS-1604	M16X1.5	08S	1/4"	17.00	65.80	19
DP4MFS-1804	M18X1.5	10S	1/4"	20.60	70.80	22
DP4MFS-2006	M20X1.5	12S	3/8"	25.00	78.80	24
DP4MFS-2208	M22X1.5	14S	1/2"	24.00	97.00	27
DP4MFS-2408	M24X1.5	16S	1/2"	25.50	93.30	30
DP4MFS-3010	M30X2	20S	5/8"	24.00	101.80	36
DP4MFS-3012	M30X2	20S	3/4"	31.00	122.60	36
DP4MFS-3612	M36X2	25S	3/4"	36.00	131.00	46
DP4MFS-3616	M36X2	25S	1"	33.00	126.50	46
DP4MFS-4216	M42X2	30S	1"	41.00	136.50	50
DP4MFS-4220	M42X2	30S	1-1/4"	53.00	199.00	50
DP4MFS-5220	M52X2	38S	1-1/4"	54.00	200.00	60
DP4MFS-5224	M52X2	38S	1-1/2"	57.00	232.00	60



DP4KSF

45° Elbow Metric Female 60° Cone – Braided Hose And Spiral Hose

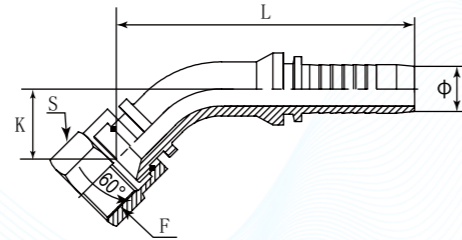
D	P	4	KS	F
Company	Product Range	Fitting Structure	Thread Types	Connection Type
DME	Hose Fitting	45° Elbow	JIS Metric	Female

German Technology Equipment

SHIELD FLEX

New-Standard

- DME&JDE Code: **DP4KSF**
- Product Type: **Hose Fitting**
- Hose Fitting Type: **Insert**
- Thread Type: **JIS Metric 60° Cone**
- Structure: **45° Elbow**
- Connection Type: **Female**



PART NUMBER	F (Thread)	Ø	L	K	S
#	Metric	Inch	mm	mm	mm
DP4KSF-1204	M12X1.5	1/4"	67.00	17.00	17
DP4KSF-1404	M14X1.5	1/4"	71.90	21.30	19
DP4KSF-1604	M16X1.5	1/4"	75.00	22.00	22
DP4KSF-1605	M16X1.5	5/16"	77.60	24.30	22
DP4KSF-1606	M16X1.5	3/8"	78.00	24.50	24
DP4KSF-1806	M18X1.5	3/8"	79.20	24.90	24
DP4KSF-1808	M18X1.5	1/2"	84.00	25.50	27
DP4KSF-2008	M20X1.5	1/2"	90.00	26.50	27
DP4KSF-2208	M22X1.5	1/2"	95.10	27.20	27
DP4KSF-2408	M24X1.5	1/2"	105.00	28.50	27
DP4KSF-2410	M24X1.5	5/8"	110.70	29.90	32
DP4KSF-3012	M30X1.5	3/4"	119.00	33.50	36
DP4KSF-3312	M33X1.5	3/4"	135.00	34.00	36
DP4KSF-3316	M33X1.5	1"	144.90	35.70	41
DP4KSF-3620	M36X1.5	1-1/4"	165.10	41.90	46
DP4KSF-4224	M42X1.5	1-1/2"	190.70	49.00	55



DP4ORF

45° Elbow ORFS Female – Braided Hose And Spiral Hose

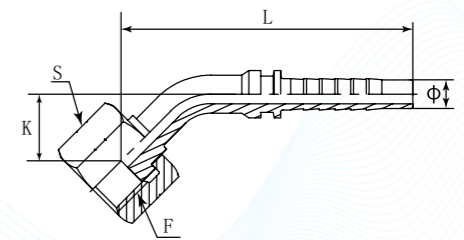
D	P	4	OR	F
Company	Product Range	Fitting Structure	Thread Types	Connection Type
DME	Hose Fitting	45° Elbow	ORFS	Female

German Technology Equipment

SHIELD FLEX

New-Standard

- DME&JDE Code: **DP4ORF**
- Product Type: **Hose Fitting**
- Hose Fitting Type: **Insert**
- Thread Type: **UNF**
- Structure: **45° Elbow**
- Connection Type: **Female**



PART NUMBER	F (Thread)	Ø	L	K	S
#	UNF	Inch	mm	mm	mm
DP4ORF-0404	9/16"-18	1/4"	64.00	14.00	19
DP4ORF-0604	11/16"-16	1/4"	65.50	15.00	22
DP4ORF-0606	11/16"-16	3/8"	79.00	17.00	22
DP4ORF-0806	13/16"-16	3/8"	81.50	18.00	27
DP4ORF-0808	13/16"-16	1/2"	91.00	23.00	27
DP4ORF-1008	1"-14	1/2"	93.00	23.00	30
DP4ORF-1010	1"-14	5/8"	109.50	26.00	30
DP4ORF-1210	1-3/16"-12	5/8"	11.50	27.00	36
DP4ORF-1212	1-3/16"-12	3/4"	123.50	27.00	36
DP4ORF-1616	1-7/16"-12	1"	157.50	30.00	41
DP4ORF-2020	1-11/16"-12	1-1/4"	187.50	44.00	50
DP4ORF-2424	2"-12	1-1/2"	219.50	36.50	60



DP4BPF

45° Elbow BSPP Swivel Female 60° Cone – Braided Hose And Spiral Hose

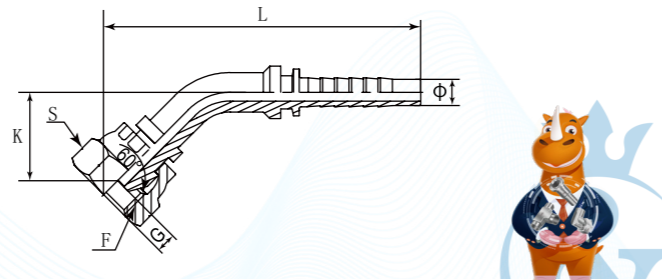
D	P	4	BP	F
Company	Product Range	Fitting Structure	Thread Types	Connection Type
DME	Hose Fitting	45° Elbow	BSPP	Swivel Female

German Technology Equipment

SHIELD FLEX

New-Standard

- DME&JDE Code: DP4BPF
- Product Type: Hose Fitting
- Hose Fitting Type: Insert
- Thread Type: BSPP 60° Cone
- Structure: 45° Elbow
- Connection Type: Swivel Female



PART NUMBER	F (Thread)	Ø	G	K	L	S
#	BSPP	mm	mm	mm	mm	mm
DP4BPF-0204	G 1/8"	1/4"	4.30	15.00	66.50	14
DP4BPF-0404	G 1/4"	1/4"	5.20	15.00	68.50	19
DP4BPF-0604	G 3/8"	1/4"	5.20	18.00	71.00	22
DP4BPF-0606	G 3/8"	3/8"	6.00	19.00	84.00	22
DP4BPF-0806	G 1/2"	3/8"	6.50	21.00	87.00	27
DP4BPF-0808	G 1/2"	1/2"	6.50	24.00	97.00	27
DP4BPF-1008	G 5/8"	1/2"	9.70	25.50	98.00	30
DP4BPF-1010	G 5/8"	5/8"	9.70	23.00	114.50	30
DP4BPF-1212	G 3/4"	3/4"	8.70	30.00	129.50	32
DP4BPF-1616	G 1"	1"	10.50	35.00	165.00	41
DP4BPF-2020	G 1-1/4"	1-1/4"	10.10	52.00	199.00	50
DP4BPF-2424	G 1-1/2"	1-1/2"	12.50	47.00	233.00	55
DP4BPF-3232	G 2"	2"	16.10	66.50	282.00	70



DP4JCF

45° Elbow JIC Swivel Female 74° Cone – Braided Hose And Spiral Hose

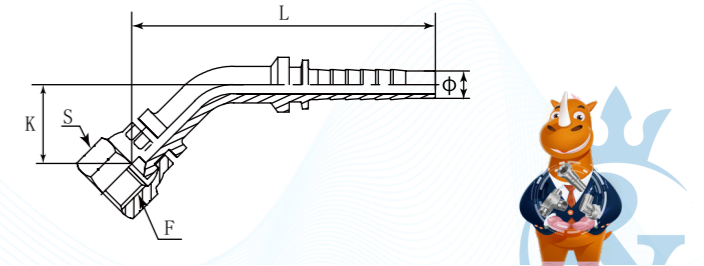
D	P	4	JC	F
Company	Product Range	Fitting Structure	Thread Types	Connection Type
DME	Hose Fitting	45° Elbow	JIC	Swivel Female

German Technology Equipment

SHIELD FLEX

New-Standard

- DME&JDE Code: DP4JCF
- Product Type: Hose Fitting
- Hose Fitting Type: Insert
- Thread Type: JIC 74° Cone
- Structure: 45° Elbow
- Connection Type: Swivel Female



PART NUMBER	F (Thread)	Ø	L	K	S
#	UNF	mm	mm	mm	mm
DP4JCF-0404	7/16"-20	1/4"	65.80	14.00	17
DP4JCF-0504	1/2"-20	1/4"	67.80	14.00	17
DP4JCF-0604	9/16"-18	1/4"	66.20	17.40	19
DP4JCF-0606	9/16"-18	3/8"	80.80	17.00	19
DP4JCF-0806	3/4"-16	3/8"	81.80	17.00	24
DP4JCF-0808	3/4"-16	1/2"	96.30	22.00	24
DP4JCF-1008	7/8"-14	1/2"	95.30	23.00	27
DP4JCF-1010	7/8"-14	5/8"	101.80	24.00	27
DP4JCF-1012	7/8"-14	3/4"	123.60	24.00	32
DP4JCF-1210	1-1/16"-12	5/8"	103.80	25.00	32
DP4JCF-1212	1-1/16"-12	3/4"	123.60	28.00	32
DP4JCF-1216	1-1/16"-12	1"	151.50	28.00	32
DP4JCF-1612	1-5/16"-12	3/4"	127.60	30.00	41
DP4JCF-1616	1-5/16"-12	1"	151.50	33.00	41
DP4JCF-2016	1-5/8"-12	1"	151.50	33.00	50
DP4JCF-2020	1-5/8"-12	1-1/4"	174.00	52.00	50
DP4JCF-2420	1-7/8"-12	1-1/4"	174.00	42.00	55
DP4JCF-2424	1-7/8"-12	1-1/2"	184.00	42.00	55
DP4JCF-3232	2-1/2"-12	2"	242.00	68.00	75



DP4TYF

45° Elbow JIS BSPP Swivel Female 60° Cone – Braided Hose And Spiral Hose

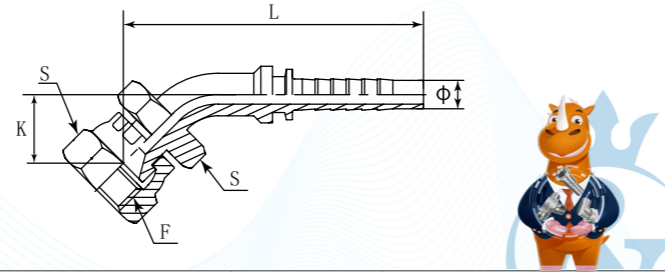
D	P	4	TY	F
Company	Product Range	Fitting Structure	Thread Types	Connection Type
DME	Hose Fitting	45° Elbow	JIS BSPP	Swivel Female

German Technology Equipment

SHIELD FLEX

New-Standard

- DME&JDE Code: DP4TYF
- Product Type: Hose Fitting
- Hose Fitting Type: Insert
- Thread Type: JIS BSPP 60° Cone
- Structure: 45° Elbow
- Connection Type: Swivel Female



PART NUMBER	F (Thread)	Ø	L	K	S	S1
#	BSPP	Inch	mm	mm	mm	mm
DP4TYF-0404	1/4"-19	1/4"	71.90	21.30	19	19
DP4TYF-0606	3/8"-19	3/8"	78.90	24.60	22	22
DP4TYF-0808	1/2"-14	1/2"	96.50	27.50	27	27
DP4TYF-1212	3/4"-14	3/4"	122.30	33.90	32	32
DP4TYF-1616	1"-11	1"	142.30	36.10	41	41
DP4TYF-2020	1-1/4"-11	1-1/4"	165.40	43.70	50	50
DP4TYF-2424	1-1/2"-11	1-1/2"	192.50	50.80	55	55
DP4TYF-3232	2"-11	2"	216.60	57.60	70	70

DP4FL

45° Elbow SAE Flange Code 61 – Braided Hose And Spiral Hose

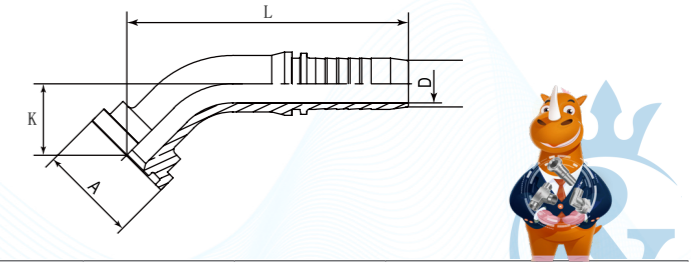
D	P	4	FL
Company	Product Range	Fitting Structure	Connection Type
DME	Hose Fitting	45° Elbow	SAE Flange Code 61

German Technology Equipment

SHIELD FLEX

New-Standard

- DME&JDE Code: DP4FL
- Product Type: Hose Fitting
- Hose Fitting Type: Insert
- Structure: 45° Elbow
- Connection Type: Flange Code 61



PART NUMBER	Flange	Ø	L	K	A	D
#	-	Inch	mm	mm	mm	mm
DP4FL-0808	8	1/2"	95.00	19.00	30.20	9.50
DP4FL-0810	8	5/8"	102.00	23.00	30.20	12.00
DP4FL-1212	12	3/4"	127.00	26.00	38.00	14.00
DP4FL-1612	16	3/4"	132.00	28.00	44.50	14.00
DP4FL-1616	16	1"	162.00	32.00	44.50	19.70
DP4FL-2016	20	1"	163.00	36.00	50.80	19.70
DP4FL-2020	20	1-1/4"	197.00	38.00	50.80	25.50
DP4FL-2420	24	1-1/4"	197.00	41.00	60.40	25.50
DP4FL-2424	24	1-1/2"	232.00	44.00	60.40	30.00
DP4FL-3232	32	2"	286.00	56.00	71.40	43.50



DP4FS

45° Elbow SAE Flange Code 62 – Braided Hose And Spiral Hose

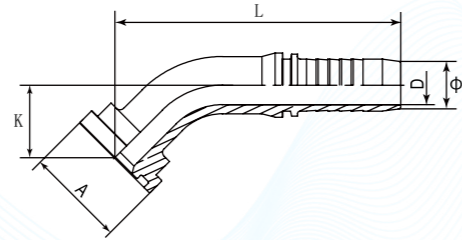
D	P	4	FS
Company	Product Range	Fitting Structure	Connection Type
DME	Hose Fitting	45° Elbow	SAE Flange Code 62

German Technology Equipment

SHIELD FLEX

New-Standard

- DME&JDE Code: DP4FS
- Product Type: Hose Fitting
- Hose Fitting Type: Insert
- Structure: 45° Elbow
- Connection Type: Flange Code 62



PART NUMBER	Flange	Ø	L	K	A	D
#	-	Inch	mm	mm	mm	mm
DP4FS-0808	8	1/2"	95.00	19.00	31.80	9.50
DP4FS-0810	8	5/8"	102.00	23.00	31.80	12.00
DP4FS-1212	12	3/4"	127.00	26.00	41.20	14.00
DP4FS-1612	16	3/4"	132.00	28.00	47.80	14.00
DP4FS-1616	16	1"	162.00	32.00	47.80	19.70
DP4FS-2016	20	1"	163.00	36.00	53.90	19.70
DP4FS-2020	20	1-1/4"	163.00	36.00	53.90	19.70
DP4FS-2420	24	1-1/4"	197.00	41.00	63.50	25.50
DP4FS-2424	24	1-1/2"	232.00	44.00	63.50	30.00
DP4FS-3232	32	2"	286.00	56.00	79.40	43.50

Web: <https://www.dmejde.com>
E-mail: info@dmejde.com



DP9MFL

90° Elbow Metric Female 24° Cone Light Type – Braided Hose And Spiral Hose

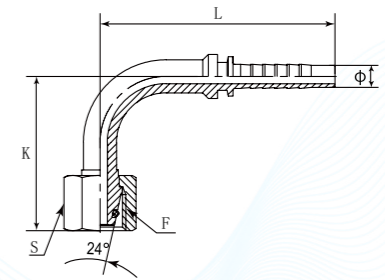
D	P	9	M	F	L
Company	Product Range	Fitting Structure	Thread Types	Connection Type	Pressure Type
DME	Hose Fitting	90° Elbow	Metric	Female	Light Type

German Technology Equipment

SHIELD FLEX

New-Standard

- DME&JDE Code: DP9MFL
- Product Type: Hose Fitting
- Hose Fitting Type: Insert
- Thread Type: Metric 24° Cone Light Type
- Structure: 90° Elbow
- Connection Type: Female



PART NUMBER	SFKL	Cone 24°	Ø	K	L	S
#	Metric	-	mm	mm	mm	mm
DP9MFL-1204	M12X1.5	06L	1/4"	30.30	58.40	14
DP9MFL-1404	M14X1.5	08L	1/4"	28.00	52.00	17
DP9MFL-1604	M16X1.5	10L	1/4"	30.00	52.00	19
DP9MFL-1606	M16X1.5	10L	3/8"	37.50	62.80	19
DP9MFL-1806	M18X1.5	12L	3/8"	37.00	66.80	22
DP9MFL-2206	M22X1.5	15L	3/8"	39.00	61.80	27
DP9MFL-2208	M22X1.5	15L	1/2"	41.00	71.30	27
DP9MFL-2610	M26X1.5	18L	5/8"	52.00	79.80	32
DP9MFL-2612	M26X1.5	18L	3/4"	58.00	97.00	32
DP9MFL-3012	M30X2	22L	3/4"	65.00	99.00	36
DP9MFL-3612	M36X2	28L	3/4"	68.00	100.00	41
DP9MFL-3616	M36X2	28L	1"	68.00	113.50	41
DP9MFL-4520	M45X2	35L	1-1/4"	85.00	135.00	50
DP9MFL-5220	M52X2	42L	1-1/4"	89.00	153.00	60
DP9MFL-5224	M52X2	42L	1-1/2"	99.00	180.00	60

Web: <https://www.dmejde.com>
E-mail: info@dmejde.com



DP9MFS

90° Elbow Metric Female 24° Cone Heavy Type – Braided Hose And Spiral Hose

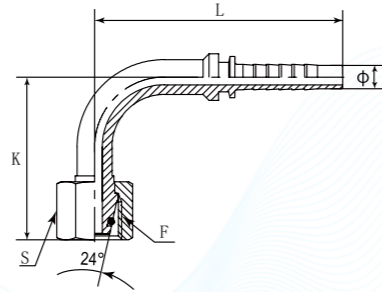
D	P	9	M	F	S
Company	Product Range	Fitting Structure	Thread Types	Connection Type	Pressure Grade
DME	Hose Fitting	90° Elbow	Metric	Female	Heavy Type

German Technology Equipment

SHIELD FLEX

New-Standard

- DME&JDE Code: **DP9MFS**
- Product Type: **Hose Fitting**
- Hose Fitting Type: **Insert**
- Thread Type: **Metric 24° Cone Heavy Type**
- Structure: **90° Elbow**
- Connection Type: **Female**



PART NUMBER	F (Thread)	Cone 24°	Ø	K	L	S
#	Metric		mm	mm	mm	mm
DP9MFS-1404	M14X1.5	06S	1/4"	30.00	58.80	17
DP9MFS-1604	M16X1.5	08S	1/4"	28.00	53.80	19
DP9MFS-1804	M18X1.5	10S	1/4"	38.00	58.80	22
DP9MFS-2006	M20X1.5	12S	3/8"	37.50	63.80	24
DP9MFS-2208	M22X1.5	14S	1/2"	50.00	71.30	27
DP9MFS-2408	M24X1.5	16S	1/2"	45.30	73.30	30
DP9MFS-2410	M24X1.5	16S	1/2"	56.30	89.80	30
DP9MFS-3010	M30X2	20S	5/8"	56.00	89.80	36
DP9MFS-3012	M30X2	20S	3/4"	59.00	99.00	36
DP9MFS-3612	M36X2	25S	3/4"	59.00	99.00	46
DP9MFS-3616	M36X2	25S	1"	68.00	108.50	46
DP9MFS-4216	M42X2	30S	1"	68.00	108.50	50
DP9MFS-4220	M42X2	30S	1-1/4"	86.00	153.00	50
DP9MFS-5220	M52X2	38S	1-1/4"	83.00	137.00	60
DP9MFS-5224	M52X2	38S	1-1/2"	96.00	180.00	60



DP9KSF

90° Elbow JIS Metric Female 60° Cone – Braided Hose And Spiral Hose

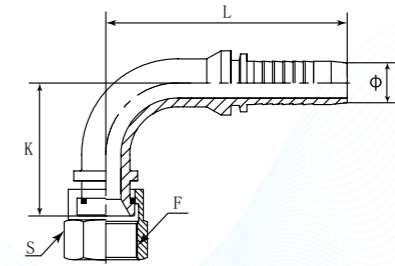
D	P	9	KS	F
Company	Product Range	Fitting Structure	Thread Types	Connection Type
DME	Hose Fitting	90° Elbow	JIC Metric	Female

German Technology Equipment

SHIELD FLEX

New-Standard

- DME&JDE Code: **DP9KSF**
- Product Type: **Hose Fitting**
- Hose Fitting Type: **Insert**
- Thread Type: **JIS Metric 60° Cone**
- Structure: **90° Elbow**
- Connection Type: **Female**



PART NUMBER	F (Thread)	Ø	L	K	S
#	Metric	Inch	mm	mm	mm
DP9KSF-1204	M12X1.5	1/4"	57.80	29.00	17
DP9KSF-1404	M14X1.5	1/4"	58.50	40.00	19
DP9KSF-1406	M14X1.5	3/8"	65.30	43.30	19
DP9KSF-1604	M16X1.5	1/4"	52.80	30.00	22
DP9KSF-1605	M16X1.5	5/16"	63.00	44.00	22
DP9KSF-1806	M18X1.5	3/8"	65.30	46.30	24
DP9KSF-1808	M18X1.5	1/2"	65.30	35.30	24
DP9KSF-2008	M20X1.5	1/2"	70.30	41.50	24
DP9KSF-2208	M22X1.5	1/2"	74.00	52.50	27
DP9KSF-2408	M24X1.5	1/2"	92.00	52.50	30
DP9KSF-2410	M24X1.5	5/8"	92.00	59.00	30
DP9KSF-3012	M30X1.5	3/4"	106.50	71.50	36
DP9KSF-3312	M33X1.5	3/4"	106.50	76.00	41
DP9KSF-3316	M33X1.5	1"	131.70	76.00	41
DP9KSF-3620	M36X1.5	1-1/4"	154.00	89.00	46
DP9KSF-4224	M42X1.5	1-1/2"	180.40	108.00	55



DP9ORF

90° Elbow ORFS Female – Braided Hose And Spiral Hose

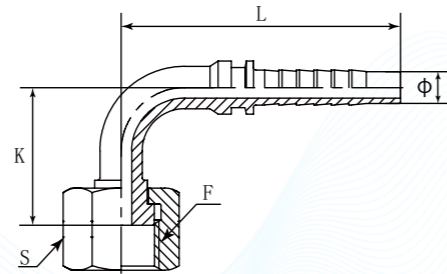
D	P	9	OR	F
Company	Product Range	Fitting Structure	Thread Types	Connection Type
DME	Hose Fitting	90° Elbow	ORFS	Female

German Technology Equipment

SHIELD FLEX

New-Standard

- DME&JDE Code: **DP9ORF**
- Product Type: **Hose Fitting**
- Hose Fitting Type: **Insert**
- Thread Type: **UNF**
- Structure: **90° Elbow**
- Connection Type: **Female**



PART NUMBER	F (Thread)	Ø	L	K	S
#	UNF	Inch	mm	mm	mm
DP9ORF-0404	9/16"-18	1/4"	52.00	26.00	19
DP9ORF-0604	11/16"-16	1/4"	52.00	23.00	22
DP9ORF-0606	11/16"-16	3/8"	64.00	32.00	22
DP9ORF-0806	13/16"-16	3/8"	64.00	32.00	27
DP9ORF-0808	13/16"-16	1/2"	74.00	40.00	27
DP9ORF-1008	1"-14	1/2"	74.00	40.00	30
DP9ORF-1010	1"-14	5/8"	85.00	45.00	30
DP9ORF-1210	1-3/16"-12	5/8"	85.00	49.00	36
DP9ORF-1212	1-3/16"-12	3/4"	99.00	51.00	36
DP9ORF-1616	1-7/16"-12	1"	129.00	62.00	41
DP9ORF-2020	1-11/16"-12	1-1/4"	153.00	73.00	50
DP9ORF-2424	2"-12	1-1/2"	179.00	84.00	60



DP9JCF

90° Elbow JIC Swivel Female 74° Cone – Braided Hose And Spiral Hose

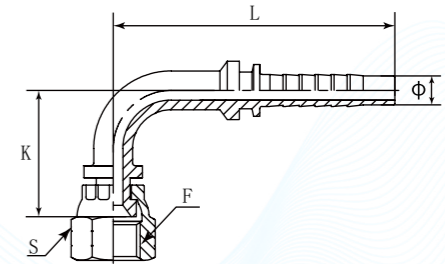
D	P	9	JC	F
Company	Product Range	Fitting Structure	Thread Types	Connection Type
DME	Hose Fitting	90° Elbow	JIC	Swivel Female

German Technology Equipment

SHIELD FLEX

New-Standard

- DME&JDE Code: **DP9JCF**
- Product Type: **Hose Fitting**
- Hose Fitting Type: **Insert**
- Thread Type: **JIC 74° Cone**
- Structure: **90° Elbow**
- Connection Type: **Swivel Female**



PART NUMBER	F (Thread)	Ø	L	K	S
#	UNF	mm	mm	mm	mm
DP9JCF-0404	7/16"-20	1/4"	57.80	29.00	17
DP9JCF-0504	1/2"-20	1/4"	52.80	26.00	17
DP9JCF-0604	9/16"-18	1/4"	52.80	27.00	19
DP9JCF-0606	9/16"-18	3/8"	62.80	35.50	19
DP9JCF-0806	3/4"-16	3/8"	66.30	38.50	24
DP9JCF-0808	3/4"-16	1/2"	70.30	41.50	24
DP9JCF-1008	7/8"-14	1/2"	75.30	46.50	27
DP9JCF-1010	7/8"-14	5/8"	79.30	46.00	27
DP9JCF-1012	7/8"-14	3/4"	95.60	54.00	27
DP9JCF-1208	1-1/16"-12	1/2"	71.30	45.00	32
DP9JCF-1210	1-1/16"-12	5/8"	78.80	49.00	32
DP9JCF-1212	1-1/16"-12	3/4"	95.60	54.00	32
DP9JCF-1216	1-1/16"-12	1"	120.00	70.50	32
DP9JCF-1612	1-5/16"-12	3/4"	102.30	62.00	41
DP9JCF-1616	1-5/16"-12	1"	120.00	71.00	41
DP9JCF-2016	1-5/8"-12	1"	120.00	71.00	50
DP9JCF-2020	1-5/8"-12	1-1/4"	146.00	84.50	50
DP9JCF-2420	1-7/8"-12	1-1/4"	146.00	84.50	55
DP9JCF-2424	1-7/8"-12	1-1/2"	167.00	101.00	55
DP9JCF-3232	2-1/2"-12	2"	205.00	124.00	75



DP9BPF

90° Elbow BSPP Swivel Female 60° Cone – Braided Hose And Spiral Hose

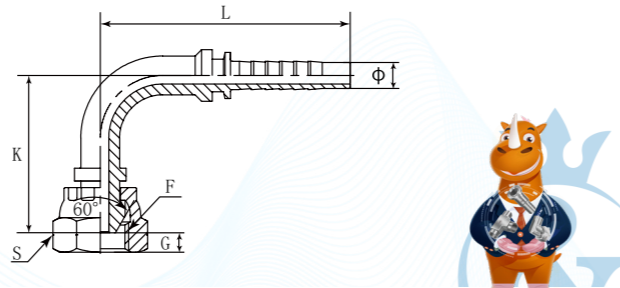
D	P	9	BP	F
Company	Product Range	Fitting Structure	Thread Types	Connection Type
DME	Hose Fitting	90° Elbow	BSPP	Swivel Female

German Technology Equipment

SHIELD FLEX

New-Standard

- DME&JDE Code: **DP9BPF**
- Product Type: **Hose Fitting**
- Hose Fitting Type: **Insert**
- Thread Type: **BSPP 60° Cone**
- Structure: **90° Elbow**
- Connection Type: **Swivel Female**



PART NUMBER	F (Thread)	Ø	G	K	L	S
#	BSPP	mm	mm	mm	mm	mm
DP9BPF-0204	G 1/8"	1/4"	4.30	26.00	52.00	14
DP9BPF-0404	G 1/4"	1/4"	5.20	29.00	52.00	19
DP9BPF-0604	G 3/8"	1/4"	5.20	31.00	52.00	22
DP9BPF-0606	G 3/8"	3/8"	6.00	38.00	64.00	22
DP9BPF-0806	G 1/2"	3/8"	6.50	40.50	64.00	27
DP9BPF-0808	G 1/2"	1/2"	6.50	45.00	74.00	27
DP9BPF-1008	G 5/8"	1/2"	9.70	45.00	74.00	30
DP9BPF-1010	G 5/8"	5/8"	9.70	45.00	85.00	30
DP9BPF-1212	G 3/4"	3/4"	8.70	57.00	99.00	32
DP9BPF-1616	G 1"	1"	10.50	72.50	129.00	41
DP9BPF-2020	G 1-1/4"	1-1/4"	10.10	87.50	153.00	50
DP9BPF-2424	G 1-1/2"	1-1/2"	12.50	100.00	179.00	55
DP9BPF-3232	G 2"	2"	16.10	130.00	218.00	70

DP9TYF

90° Elbow JIS BSPP Swivel Female 60° Cone – Braided Hose And Spiral Hose

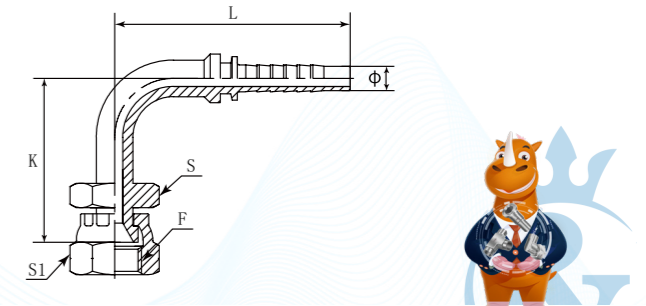
D	P	9	TY	F
Company	Product Range	Fitting Structure	Thread Types	Connection Type
DME	Hose Fitting	90° Elbow	JIS BSPP	Swivel Female

German Technology Equipment

SHIELD FLEX

New-Standard

- DME&JDE Code: **DP9TYF**
- Product Type: **Hose Fitting**
- Hose Fitting Type: **Insert**
- Thread Type: **JIS BSPP 60° Cone**
- Structure: **90° Elbow**
- Connection Type: **Swivel Female**



PART NUMBER	F (Thread)	Ø	L	K	S	S1
#	UNF	mm	mm	mm	mm	mm
DP9TYF-0404	1/4"-19	1/4"	58.50	38.00	19.00	19
DP9TYF-0606	3/8"-19	3/8"	65.60	38.00	22.00	22
DP9TYF-0808	1/2"-14	1/2"	74.00	45.00	27.00	27
DP9TYF-1010	5/8"-14	1/2"	92.50	61.00	30.00	30
DP9TYF-1212	3/4"-14	3/4"	106.50	69.00	32.00	32
DP9TYF-1616	1"-11	1"	131.70	76.50	41.00	41
DP9TYF-2020	1-1/4"-11	1-1/4"	152.50	92.50	50.00	50
DP9TYF-2424	1-1/2"-11	1-1/2"	180.40	110.50	55.00	55
DP9TYF-3232	2"-11	2"	207.80	133.80	70.00	70



DP9FL

90° Elbow SAE Flange Code 61 – Braided Hose And Spiral Hose

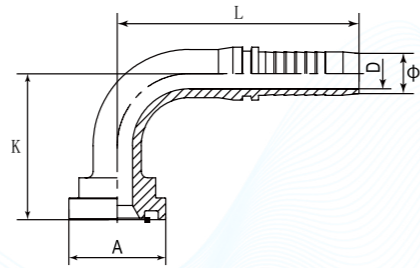
D	P	9	FL
Company	Product Range	Fitting Structure	Connection Type
DME	Hose Fitting	90° Elbow	SAE Flange Code 61

German Technology Equipment

SHIELD FLEX

New-Standard

- DME&JDE Code: DP9FL
- Product Type: Hose Fitting
- Hose Fitting Type: Insert
- Structure: 90° Elbow
- Connection Type: Flange Code 61



PART NUMBER	Flange	Ø	L	K	A
#	-	Inch	mm	mm	mm
DP9FL-0808	8	1/2"	74.00	40.00	30.20
DP9FL-0810	8	5/8"	85.00	53.00	30.20
DP9FL-1212	12	3/4"	99.00	58.00	38.00
DP9FL-1612	16	3/4"	99.00	62.00	44.50
DP9FL-1616	16	1"	129.00	70.00	44.50
DP9FL-2016	20	1"	129.00	75.00	50.80
DP9FL-2020	20	1-1/4"	153.00	90.00	50.80
DP9FL-2420	24	1-1/4"	153.00	95.00	60.40
DP9FL-2424	24	1-1/2"	179.00	104.00	60.40
DP9FL-3224	32	1-1/2"	179.00	115.00	71.40
DP9FL-3232	32	2"	218.00	138.00	71.40

DP9FS

90° Elbow SAE Flange Code 62 – Braided Hose And Spiral Hose

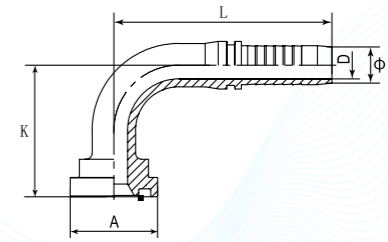
D	P	9	FS
Company	Product Range	Fitting Structure	Connection Type
DME	Hose Fitting	90° Elbow	SAE Flange Code 62

German Technology Equipment

SHIELD FLEX

New-Standard

- DME&JDE Code: DP9FS
- Product Type: Hose Fitting
- Hose Fitting Type: Insert
- Structure: 90° Elbow
- Connection Type: Flange Code 62



PART NUMBER	Flange	Ø	L	K	A
#	-	Inch	mm	mm	mm
DP9FS-0808	8	1/2"	74.00	40.00	31.80
DP9FS-0810	8	5/8"	85.00	53.00	31.80
DP9FS-1212	12	3/4"	99.00	58.00	41.20
DP9FS-1612	16	3/4"	99.00	62.00	47.80
DP9FS-1616	16	1"	129.00	70.00	47.80
DP9FS-2016	20	1"	129.00	75.00	53.90
DP9FS-2020	20	1 1/4"	153.00	90.00	53.90
DP9FS-2420	24	1 1/4"	153.00	95.00	63.50
DP9FS-2424	24	1 1/2"	179.00	104.00	63.50
DP9FS-3232	32	2"	218.00	138.00	79.40





Hose Fitting

Interlock >>

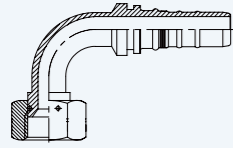


<p>DP1BPM-R13 P850</p> <p>Straight Connector BSPP Male 60° Cone - Interlock</p>	<p>DP1NPM-R13 P851</p> <p>Straight Connector NPTF Male 60° - Interlock</p>	<p>DP1BPF-R13 P852</p> <p>Straight Connector BSPP Female 60° Cone - Interlock</p>	<p>DP1ORF-R13 P853</p> <p>Straight Connector ORFS Female - Interlock</p>
<p>DP1MFS-R13 P854</p> <p>Straight Connector Metric Female 24° Cone + O Ring Heavy Type - Interlock</p>	<p>DP1JCF-R13 P855</p> <p>Straight Connector JIC Female 74° Cone - Interlock</p>	<p>DP1FL-R13 P856</p> <p>Straight Connector SAE Flange 3000 PSI - Interlock</p>	<p>DP1FS-R13 P857</p> <p>Straight Connector SAE Flange 6000 PSI - Interlock</p>
<p>DP1FSCAT-R13 P858</p> <p>Straight Connector SAE Flange 9000 PSI - Interlock</p>	<p>DP4BPF-R13 P859</p> <p>45° Elbow BSPP Female 60° Cone</p>	<p>DP4MFS-R13 P860</p> <p>45° Elbow Metric Female 24° Cone + O Ring Heavy Type - Interlock</p>	<p>DP4ORF-R13 P861</p> <p>45° Elbow ORFS Female - Interlock</p>
<p>DP4FL-R13 P862</p> <p>45° Elbow SAE Flange 3000 PSI - Interlock</p>	<p>DP4FS-R13 P863</p> <p>45° Elbow SAE Flange 6000 PSI - Interlock</p>	<p>DP4FSCAT-R13 P864</p> <p>45° Elbow SAE Flange 9000 PSI - Interlock</p>	<p>DP9BPF-R13 P865</p> <p>90° Elbow BSPP Female 60° Cone - Interlock</p>



DP9JCF-R13

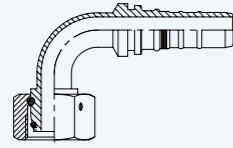
P866



90° Elbow JIC Female 74° Cone - Interlock

DP9MFS-R13

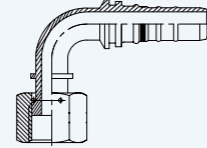
P867



90° Elbow Metric Female 24° Cone + O Ring Heavy Type - Interlock

DP90RF-R13

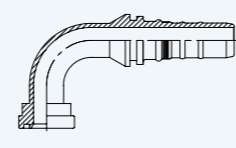
P868



90° Elbow ORFS Female - Interlock

DP9FL-R13

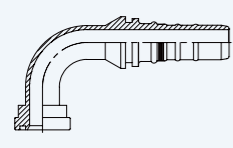
P869



90° Elbow SAE Flange 3000 PSI - Interlock

DP9FS-R13

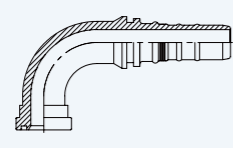
P870



90° Elbow SAE Flange 6000 PSI - Interlock

DP9FSCAT-R13

P871



90° Elbow SAE Flange 9000 PSI - Interlock

DP1BPM-R13

Straight Connector BSPP Male 60° Cone – Interlock

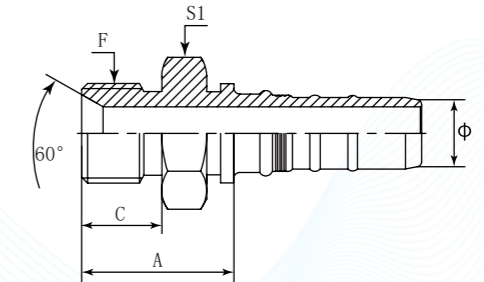
D	P	I	BP	M	R13
Company	Product Range	Fitting Structure	Thread Types	Connection Type	Hose Fitting
DME	Hose Fitting	Straight	BSPP	Male	Interlock

German Technology Equipment

SHIELD FLEX

New-Standard

- DME&JDE Code: **DP1BPM-R13**
- Product Type: **Hose Fitting**
- Hose Fitting Type: **Interlock**
- Thread Type: **BSPP 60° Cone**
- Structure: **Straight**
- Connection Type: **Male**



PART NUMBER	F (Thread)	Ø	A	C	S1
#	BSPP	Inch	mm	mm	mm
DP1BPM-R13-1212	3/4"-14	20.00	37.50	18.50	30
DP1BPM-R13-1616	1"-11	25.00	41.00	20.50	36
DP1BPM-R13-2020	1-1/4"-11	32.00	45.30	20.50	46
DP1BPM-R13-2424	1-1/2"-11	40.00	49.70	23.00	50
DP1BPM-R13-3232	2"-11	50.00	52.00	25.50	60



DP1NPM-R13

Straight Connector NPTF Male 60° – Interlock

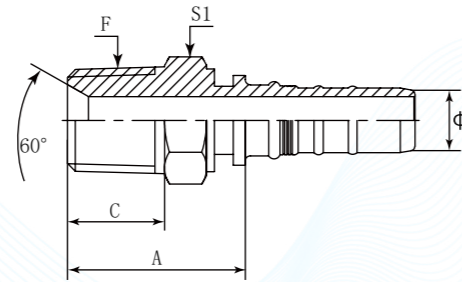
D	P	I	NP	M	R13
Company	Product Range	Fitting Structure	Thread Types	Connection Type	Hose Fitting
DME	Hose Fitting	Straight	NPTF	Male	Interlock

German Technology Equipment

SHIELD FLEX

New-Standard

- DME&JDE Code: **DP1NPM-R13**
- Product Type: **Hose Fitting**
- Hose Fitting Type: **Interlock**
- Thread Type: **NPTF 60°**
- Structure: **Straight**
- Connection Type: **Male**



PART NUMBER	F (Thread)	Ø	A	C	S1
#	NPTF	Inch	mm	mm	mm
DP1NPM-R13-1212	3/4"-14	20.00	37.50	19.50	30
DP1NPM-R13-1616	1"-11-1/2	25.00	45.90	25.50	38
DP1NPM-R13-2020	1-1/4"-11-1/2	32.00	51.30	26.50	46
DP1NPM-R13-2424	1-1/2"-11-1/2	40.00	54.20	27.50	50
DP1NPM-R13-3232	2"-11-1/2	50.00	56.50	27.50	65

DP1BPF-R13

Straight Connector BSPP Female 60° Cone – Interlock

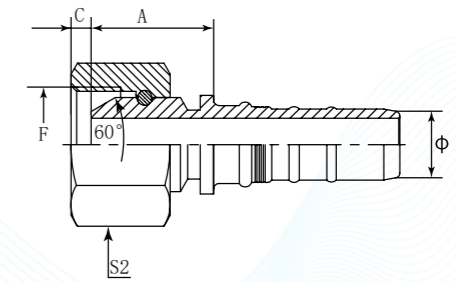
D	P	I	BP	F	R13
Company	Product Range	Fitting Structure	Thread Types	Connection Type	Hose Fitting
DME	Hose Fitting	Straight	BSPP	Female	Interlock

German Technology Equipment

SHIELD FLEX

New-Standard

- DME&JDE Code: **DP1BPF-R13**
- Product Type: **Hose Fitting**
- Hose Fitting Type: **Interlock**
- Thread Type: **BSPP 60° Cone**
- Structure: **Straight**
- Connection Type: **Female**



PART NUMBER	F (Thread)	Ø	A	C	S2
#	BSPP	Inch	mm	mm	mm
DP1BPF-R13-1212	3/4"-14	20.00	27.50	8.70	32
DP1BPF-R13-1616	1"-11	25.00	32.40	10.50	41
DP1BPF-R13-2020	1-1/4"-11	32.00	35.80	10.10	50
DP1BPF-R13-2424	1-1/2"-11	40.00	36.70	12.50	55
DP1BPF-R13-3232	2"-11	50.00	36.50	16.00	70

DP1ORF-R13

Straight Connector ORFS Female – Interlock

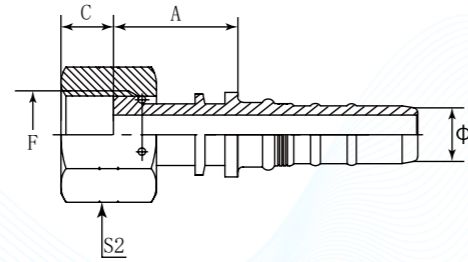
D	P	I	OR	F	R13
Company	Product Range	Fitting Structure	Thread Types	Connection Type	Hose Fitting
DME	Hose Fitting	Straight	ORFS UNF	Female	Interlock

German Technology Equipment

SHIELD FLEX

New-Standard

- DME&JDE Code: **DP1ORF-R13**
- Product Type: **Hose Fitting**
- Hose Fitting Type: **Interlock**
- Thread Type: **UNF**
- Structure: **Straight**
- Connection Type: **Female**



PART NUMBER	F (Thread)	Ø	A	C	S2
#	UNF	Inch	mm	mm	mm
DP1ORF-R13-1212	1-3/16"-12	20.00	41.00	15.00	36
DP1ORF-R13-1616	1-7/16"-12	25.00	44.40	15.00	41
DP1ORF-R13-2020	1-11/16"-12	32.00	47.80	15.00	50
DP1ORF-R13-2424	2"-12	40.00	48.20	15.00	60

DP1MFS-R13

Straight Connector Metric Female 24° Cone + O Ring Heavy Type – Interlock

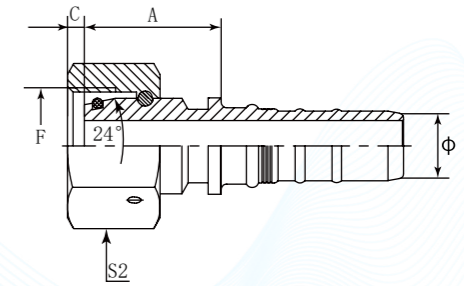
D	P	I	M	F	R13	S
Company	Product Range	Fitting Structure	Thread Types	Connection Type	Hose Fitting	Pressure Grade
DME	Hose Fitting	Straight	Metric	Female + O Ring	Interlock	Heavy Type

German Technology Equipment

SHIELD FLEX

New-Standard

- DME&JDE Code: **DP1MFS-R13**
- Product Type: **Hose Fitting**
- Hose Fitting Type: **Interlock**
- Thread Type: **Metric 24° Cone + O Ring Heavy Type**
- Structure: **Straight**
- Connection Type: **Female**
- Sealing Method: **O Rings**



PART NUMBER	F (Thread)	Ø	A	C	S2
#	Metric	Inch	mm	mm	mm
DP1MFS-R13-3012	M30X2	20.00	30.00	2.50	36
DP1MFS-R13-3612	M36X2	20.00	38.50	3.50	46
DP1MFS-R13-3616	M36X2	25.00	31.90	3.20	46
DP1MFS-R13-4212	M42X2	20.00	42.00	3.90	50
DP1MFS-R13-4216	M42X2	25.00	33.40	3.90	50
DP1MFS-R13-4220	M42X2	32.00	38.80	3.90	50
DP1MFS-R13-5220	M52X2	32.00	45.30	4.50	60
DP1MFS-R13-5224	M52X2	40.00	38.20	4.50	60



DP1JCF-R13

Straight Connector JIC Female 74° Cone – Interlock

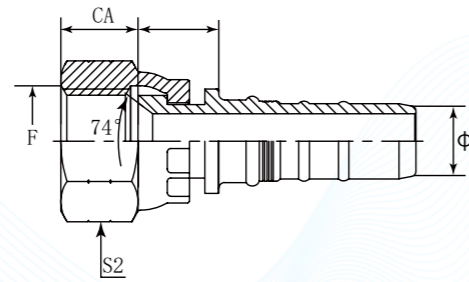
D	P	I	JC	F	R13
Company	Product Range	Fitting Structure	Thread Types	Connection Type	Hose Fitting
DME	Hose Fitting	Straight	JIC UNF	Female + O Ring	Interlock

German Technology Equipment

SHIELD FLEX

New-Standard

- DME&JDE Code: **DP1JCF-R13**
- Product Type: **Hose Fitting**
- Hose Fitting Type: **Interlock**
- Thread Type: **JIC UNF 74° Cone**
- Structure: **Straight**
- Connection Type: **Female**



PART NUMBER	F (Thread)	Ø	A	C	S2
#	UNF	Inch	mm	mm	mm
DP1JCF-R13-1212	1-1/16"-12	20.00	26.50	15.00	32
DP1JCF-R13-1616	1-5/16"-12	25.00	29.40	16.00	41
DP1JCF-R13-2020	1-5/8"-12	32.00	32.30	16.10	50
DP1JCF-R13-2424	1-7/8"-12	40.00	35.20	20.00	60
DP1JCF-R13-3232	2-1/2"-12	50.00	34.50	23.50	75

DP1FL-R13

Straight Connector SAE Flange 3000 PSI – Interlock

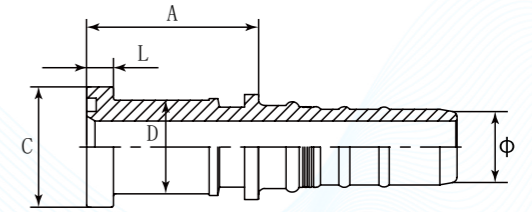
D	P	I	FL	R13
Company	Product Range	Fitting Structure	Connection Type	Hose Fitting
DME	Hose Fitting	Straight	SAE Flange 3000 PSI	Interlock

German Technology Equipment

SHIELD FLEX

New-Standard

- DME&JDE Code: **DP1FL-R13**
- Product Type: **Hose Fitting**
- Hose Fitting Type: **Interlock**
- Fitting Structure: **Straight**
- Connection Type: **Flange 3000 PSI**



PART NUMBER	Flange Size	Ø	A	C	D	L
#	-	Inch	mm	mm	mm	mm
DP1FL-R13-1212	3/4"	20.00	50.00	38.10	31.70	7.00
DP1FL-R13-1612	1"	20.00	54.00	44.40	38.00	8.20
DP1FL-R13-1616	1"	25.00	54.40	44.40	38.00	8.20
DP1FL-R13-2016	1-1/4"	25.00	59.40	50.80	43.20	8.20
DP1FL-R13-2020	1-1/4"	32.00	65.80	50.80	43.20	8.20
DP1FL-R13-2420	1-1/2"	32.00	71.80	60.30	50.30	8.20
DP1FL-R13-2424	1-1/2"	40.00	72.20	60.30	50.30	8.20
DP1FL-R13-3224	2"	40.00	74.20	71.40	62.20	9.80
DP1FL-R13-3232	2"	50.00	78.50	71.40	62.20	9.80



DP1FS-R13

Straight Connector SAE Flange 6000 PSI – Interlock

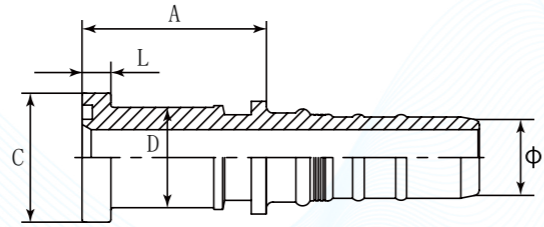
D	P	1	FS	R13
Company	Product Range	Fitting Structure	Connection Type	Hose Fitting
DME	Hose Fitting	Straight	SAE Flange 6000 PSI	Interlock

German Technology Equipment

SHIELD FLEX

New-Standard

- DME&JDE Code: **DP1FS-R13**
- Product Type: **Hose Fitting**
- Hose Fitting Type: **Interlock**
- Structure: **Straight**
- Connection Type: **Flange 6000 PSI**



PART NUMBER	Flange Size	Ø	A	C	D	L
#	-	Inch	mm	mm	mm	mm
DP1FS-R13-1212	3/4"	20.00	53.00	41.30	32.00	8.76
DP1FS-R13-1612	1"	20.00	58.00	47.60	38.00	9.53
DP1FS-R13-1616	1"	25.00	59.40	47.60	38.00	9.53
DP1FS-R13-2016	1-1/4"	25.00	67.40	54.00	44.00	10.29
DP1FS-R13-2020	1-1/4"	32.00	69.80	54.00	44.00	10.29
DP1FS-R13-2024	1-1/4"	40.00	74.70	54.00	44.00	10.29
DP1FS-R13-2420	1-1/2"	32.00	78.80	63.50	51.00	12.57
DP1FS-R13-2424	1-1/2"	40.00	78.70	63.50	51.00	12.57
DP1FS-R13-3224	2"	40.00	91.20	79.40	67.00	12.57
DP1FS-R13-3232	2"	50.00	91.00	79.40	67.00	12.57

Web: <https://www.dmejde.com>
E-mail: info@dmejde.com



DP1FSCAT-R13

Straight Connector SAE Flange 9000 PSI – Interlock

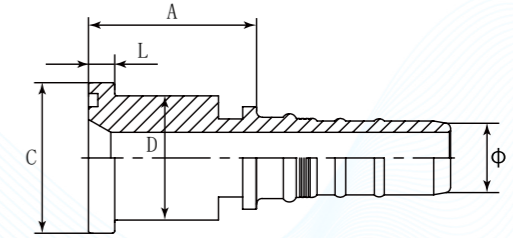
D	P	1	FSCAT	R13
Company	Product Range	Fitting Structure	Connection Type	Hose Fitting
DME	Hose Fitting	Straight	SAE Flange 9000 PSI	Interlock

German Technology Equipment

SHIELD FLEX

New-Standard

- DME&JDE Code: **DP1FSCAT-R13**
- Product Type: **Hose Fitting**
- Hose Fitting Type: **Interlock**
- Structure: **Straight**
- Connection Type: **Flange 9000 PSI**



PART NUMBER	Flange Size	Ø	A	C	D	L
#	-	Inch	mm	mm	mm	mm
DP1FSCAT-R13-1212	3/4"	20.00	58.50	41.30	32.00	14.30
DP1FSCAT-R13-1612	1"	20.00	63.00	47.60	38.00	14.30
DP1FSCAT-R13-1616	1"	25.00	64.40	47.60	38.00	14.30
DP1FSCAT-R13-2016	1-1/4"	25.00	66.80	54.00	43.00	14.30
DP1FSCAT-R13-2020	1-1/4"	32.00	73.80	54.00	43.00	14.30
DP1FSCAT-R13-2420	1-1/2"	32.00	80.60	63.50	51.00	14.30
DP1FSCAT-R13-2424	1-1/2"	40.00	80.70	63.50	51.00	14.30

Web: <https://www.dmejde.com>
E-mail: info@dmejde.com



DP4BPF-R13

45° Elbow BSPP Female 60° Cone

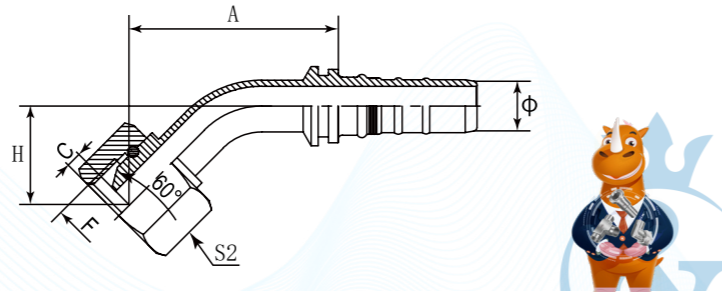
D	P	4	BP	F	R13
Company	Product Range	Fitting Structure	Thread Types	Connection Type	Hose Fitting
DME	Hose Fitting	45° Elbow	BSPP	Female	Interlock

German Technology Equipment

SHIELD FLEX

New-Standard

- DME&JDE Code: DP4BPF-R13
- Product Type: Hose Fitting
- Fitting Type: Interlock
- Thread Type: BSPP 60° Cone
- Structure: 45° Elbow
- Connection Type: Female



PART NUMBER	F (Female)	Ø	A	C	H	S2
#	BSPP	Inch	mm	mm	mm	mm
DP4BPF-R13-1212	3/4"-14	20.00	88.30	8.70	32.50	32.00
DP4BPF-R13-1616	1"-11	25.00	99.30	10.50	32.90	41.00
DP4BPF-R13-2020	1-1/4"-11	32.00	112.90	10.10	37.90	50.00
DP4BPF-R13-2424	1-1/2"-11	40.00	131.00	12.50	45.50	55.00
DP4BPF-R13-3232	2"-11	50.00	154.70	16.00	52.70	70.00

DP4MFS-R13

45° Elbow Metric Female 24° Cone + O Ring Heavy Type – Interlock

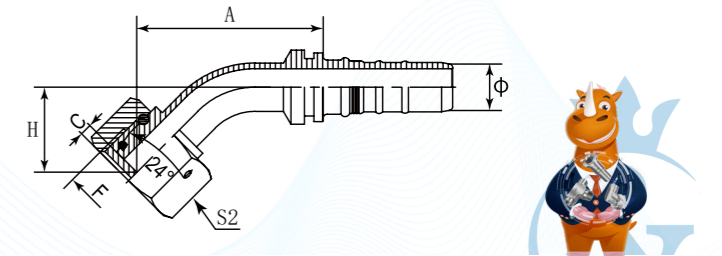
D	P	4	M	FS	R13
Company	Product Range	Fitting Structure	Thread Types	Connection Type	Hose Fitting
DME	Hose Fitting	45° Elbow	Metric	Female + O Ring Heavy Type	Interlock

German Technology Equipment

SHIELD FLEX

New-Standard

- DME&JDE Code: DP4MFS-R13
- Product Type: Hose Fitting
- Hose Fitting Type: Interlock
- Thread Type: Metric 24° Cone + O Ring Heavy Type
- Structure: 45° Elbow
- Connection Type: Female
- Sealing Method: O Rings



PART NUMBER	F (Thread)	Ø	A	C	H	S2
#	Metric	Inch	mm	mm	mm	mm
DP4MFS-R13-3612	M36X2	20.00	89.40	3.50	33.00	46.00
DP4MFS-R13-4216	M42X2	25.00	102.30	3.90	35.90	50.00
DP4MFS-R13-5220	M52X2	32.00	114.50	4.50	39.40	60.00

DP4ORF-R13

45° Elbow ORFS Female – Interlock

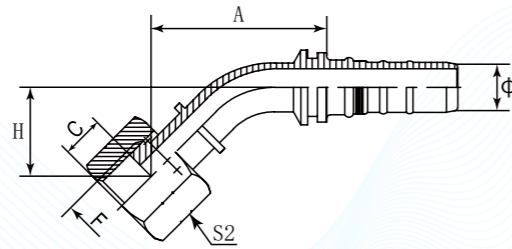
D	P	4	OR	F	R13
Company	Product Range	Fitting Structure	Thread Types	Connection Type	Hose Fitting
DME	Hose Fitting	45° Elbow	ORFS UNF	Female	Interlock

German Technology Equipment

SHIELD FLEX

New-Standard

- DME&JDE Code: **DP4ORF-R13**
- Product Type: **Hose Fitting**
- Hose Fitting Type: **Interlock**
- Thread Type: **UNF**
- Structure: **45° Elbow**
- Connection Type: **Female**



PART NUMBER	F (Thread)	Ø	A	C	H	S2
#	UNF	Inch	mm	mm	mm	mm
DP4ORF-R13-1212	1-3/16"-12	20.00	97.70	15.00	42.00	36
DP4ORF-R13-1616	1-7/16"-12	25.00	111.00	15.00	44.60	41
DP4ORF-R13-2020	1-11/16"-12	32.00	124.00	15.00	49.00	50
DP4ORF-R13-2424	2"-12	40.00	138.20	15.00	53.60	60

Web: <https://www.dmejde.com>
E-mail: info@dmejde.com



DP4FL-R13

45° Elbow SAE Flange 3000 PSI – Interlock

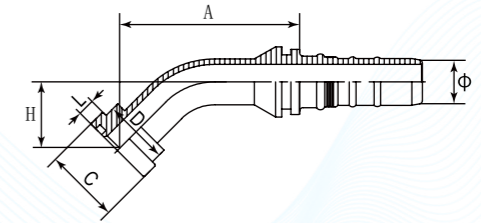
D	P	4	FL	R13
Company	Product Range	Fitting Structure	Connection Type	Hose Fitting
DME	Hose Fitting	45° Elbow	SAE Flange 3000 PSI	Interlock

German Technology Equipment

SHIELD FLEX

New-Standard

- DME&JDE Code: **DP4FL-R13**
- Product Type: **Hose Fitting**
- Hose Fitting Type: **Interlock**
- Structure: **45° Elbow**
- Connection Type: **Flange 3000 PSI**



PART NUMBER	Flange Size	Ø	A	C	D	H	L
#	-	Inch	mm	mm	mm	mm	mm
DP4FL-R13-1212	3/4"	20.00	85.80	38.10	31.70	28.90	7.00
DP4FL-R13-1612	1"	20.00	85.80	44.40	38.00	28.90	8.00
DP4FL-R13-1616	1"	25.00	96.10	44.40	38.00	29.70	8.00
DP4FL-R13-2016	1-1/4"	25.00	96.10	50.80	43.00	29.70	8.00
DP4FL-R13-2020	1-1/4"	32.00	108.80	50.80	43.00	33.80	8.00
DP4FL-R13-2420	1-1/2"	32.00	110.20	60.30	50.00	35.20	8.00
DP4FL-R13-2424	1-1/2"	40.00	123.70	60.30	50.00	39.10	8.00
DP4FL-R13-3224	2"	40.00	123.70	71.40	62.00	39.10	9.53
DP4FL-R13-3232	2"	50.00	148.30	71.40	62.00	46.30	9.53

Web: <https://www.dmejde.com>
E-mail: info@dmejde.com



DP4FS-R13

45° Elbow SAE Flange 6000 PSI – Interlock

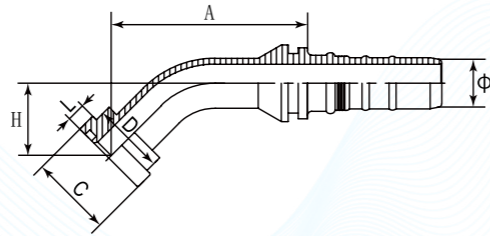
D	P	4	FS	R13
Company	Product Range	Fitting Structure	Connection Type	Hose Fitting
DME	Hose Fitting	45° Elbow	SAE Flange 6000 PSI	Interlock

German Technology Equipment

SHIELD FLEX

New-Standard

- DME&JDE Code: DP4FS-R13
- Product Type: Hose Fitting
- Hose Fitting Type: Interlock
- Structure: 45° Elbow
- Connection Type: Flange 6000 PSI



PART NUMBER	Flange Size	Ø	A	C	D	H	L
#	-	Inch	mm	mm	mm	mm	mm
DP4FS-R13-1212	3/4"	20.00	88.70	41.30	32.00	31.80	8.76
DP4FS-R13-1612	1"	20.00	90.80	47.60	38.00	33.20	9.53
DP4FS-R13-1616	1"	25.00	101.10	47.60	38.00	34.70	9.53
DP4FS-R13-2016	1-1/4"	25.00	103.90	54.00	44.00	37.50	10.29
DP4FS-R13-2020	1-1/4"	32.00	116.60	54.00	44.00	41.50	10.29
DP4FS-R13-2420	1-1/2"	32.00	120.10	63.50	51.00	45.10	12.57
DP4FS-R13-2424	1-1/2"	40.00	134.60	63.50	51.00	49.00	12.57
DP4FS-R13-3224	2"	40.00	140.20	79.40	67.00	54.70	12.57
DP4FS-R13-3232	2"	50.00	163.30	79.40	67.00	61.90	12.57

DP4FSCAT-R13

45° Elbow SAE Flange 9000 PSI – Interlock

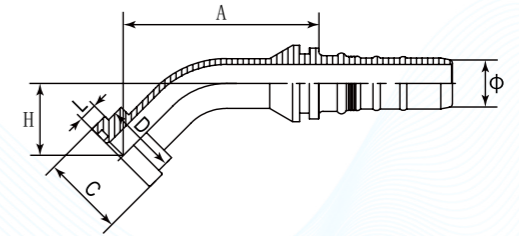
D	P	4	FSCAT	R13
Company	Product Range	Fitting Structure	Connection Type	Hose Fitting
DME	Hose Fitting	45° Elbow	SAE Flange 9000 PSI	Interlock

German Technology Equipment

SHIELD FLEX

New-Standard

- DME&JDE Code: DP4FSCAT-R13
- Product Type: Hose Fitting
- Hose Fitting Type: Interlock
- Structure: 45° Elbow
- Connection Type: Flange 9000 PSI



PART NUMBER	Flange Size	Ø	A	C	D	H	L
#	-	Inch	mm	mm	mm	mm	mm
DP4FSCAT-R13-1212	3/4"	20.00	92.60	41.30	32.00	35.60	14.30
DP4FSCAT-R13-1612	1"	20.00	93.70	47.60	38.00	36.70	14.30
DP4FSCAT-R13-1616	1"	25.00	103.90	47.60	38.00	37.50	14.30
DP4FSCAT-R13-2016	1-1/4"	25.00	104.60	54.00	43.00	38.20	14.30
DP4FSCAT-R13-2020	1-1/4"	32.00	117.30	54.00	43.00	42.30	14.30
DP4FSCAT-R13-2420	1-1/2"	32.00	118.00	63.50	51.00	43.00	14.30
DP4FSCAT-R13-2424	1-1/2"	40.00	132.50	63.50	51.00	46.90	14.30



DP9BPF-R13

90° Elbow BSPP Female 60° Cone – Interlock

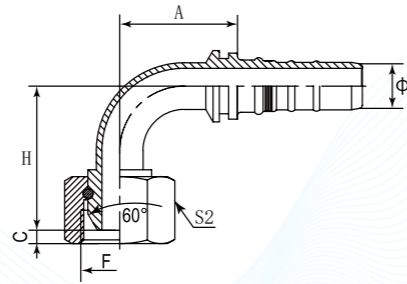
D	P	9	BP	F	R13
Company	Product Range	Fitting Structure	Thread Types	Connection Type	Hose Fitting
DME	Hose Fitting	90° Elbow	BSPP	Female	Interlock

German Technology Equipment

SHIELD FLEX

New-Standard

- DME&JDE Code: DP9BPF-R13
- Product Type: Hose Fitting
- Hose Fitting Type: Interlock
- Thread Type: BSPP 60° Cone
- Structure: 90° Elbow
- Connection Type: Female



PART NUMBER	F (Thread)	Ø	A	C	H	S2
#	BSPP	Inch	mm	mm	mm	mm
DP9BPF-R13-1212	3/4"-14	20.00	73.80	8.70	67.10	32
DP9BPF-R13-1616	1"-11	25.00	91.90	10.50	72.00	41
DP9BPF-R13-2020	1-1/4"-11	32.00	105.80	10.10	88.30	50
DP9BPF-R13-2424	1-1/2"-11	40.00	124.20	12.50	103.00	55
DP9BPF-R13-3232	2"-11	50.00	148.80	16.00	123.30	70

DP9JCF-R13

90° Elbow JIC Female 74° Cone – Interlock

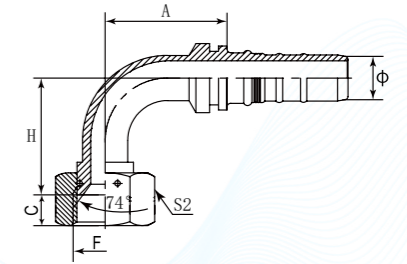
D	P	9	JC	F	R13
Company	Product Range	Fitting Structure	Thread Types	Connection Type	Hose Fitting
DME	Hose Fitting	90° Elbow	JIC UNF	Female	Interlock

German Technology Equipment

SHIELD FLEX

New-Standard

- DME&JDE Code: DP9JCF-R13
- Product Type: Hose Fitting
- Hose Fitting Type: Interlock
- Thread Type: JIC UNF 74° Cone
- Structure: 90° Elbow
- Connection Type: Female



PART NUMBER	F (Thread)	Ø	A	C	H	S2
#	UNF	Inch	mm	mm	mm	mm
DP9JCF-R13-1212	1-3/16"-12	20.00	73.80	15.00	64.50	32
DP9JCF-R13-1616	1-5/16"-12	25.00	88.90	16.00	72.50	41
DP9JCF-R13-2020	1-5/8"-12	32.00	105.80	16.10	81.50	50
DP9JCF-R13-2424	1-7/8"-12	40.00	124.20	20.00	101.00	55
DP9JCF-R13-3232	2-1/2"-12	50.00	150.30	23.50	121.30	75



DP9MFS-R13

90° Elbow Metric Female 24° Cone + O Ring Heavy Type – Interlock

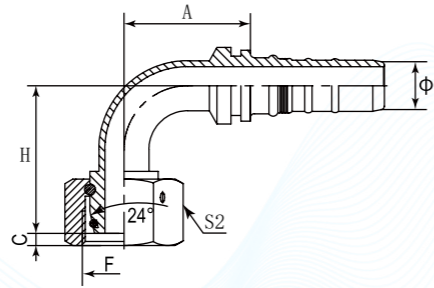
D	P	9	M	FS	R13
Company	Product Range	Fitting Structure	Thread Types	Connection Type	Hose Fitting
DME	Hose Fitting	90° Elbow	Metric	Female + O Ring Heavy Type	Interlock

German Technology Equipment

SHIELD FLEX

New-Standard

- DME&JDE Code: DP9MFS-R13
- Product Type: Hose Fitting
- Hose Fitting Type: Interlock
- Thread Type: Metric 24° Cone + O Ring Heavy Type
- Structure: 90° Elbow
- Connection Type: Female
- Sealing Method: O Rings



PART NUMBER	F (Thread)	Ø	A	C	H	S2
#	Metric	Inch	mm	mm	mm	mm
DP9MFS-R13-3612	M36X2	20.00	74.50	3.50	67.80	46
DP9MFS-R13-3616	M36X2	25.00	88.90	3.20	79.50	46
DP9MFS-R13-4216	M42X2	25.00	88.90	3.90	80.50	50
DP9MFS-R13-4220	M42X2	32.00	105.80	3.90	91.50	50
DP9MFS-R13-5220	M52X2	32.00	105.80	4.50	86.50	60
DP9MFS-R13-5224	M52X2	40.00	124.20	4.50	104.50	60

DP9ORF-R13

90° Elbow ORFS Female – Interlock

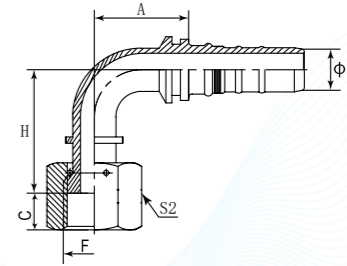
D	P	9	OR	F	R13
Company	Product Range	Fitting Structure	Thread Types	Connection Type	Hose Fitting
DME	Hose Fitting	90° Elbow	ORFS UNF	Female	Interlock

German Technology Equipment

SHIELD FLEX

New-Standard

- DME&JDE Code: DP9ORF-R13
- Product Type: Hose Fitting
- Hose Fitting Type: Interlock
- Thread Type: UNF
- Structure: 90° Elbow
- Connection Type: Female



PART NUMBER	F (Thread)	Ø	A	C	H	S2
#	UNF	Inch	mm	mm	mm	mm
DP9ORF-R13-1212	1-3/16"-12	20.00	73.80	15.00	80.50	36
DP9ORF-R13-1616	1-7/16"-12	25.00	88.90	15.00	88.50	41
DP9ORF-R13-2020	1-11/16"-12	32.00	105.80	15.00	100.00	50
DP9ORF-R13-2424	2"-12	40.00	123.20	15.00	114.50	60



DP9FL-R13

90° Elbow SAE Flange 3000 PSI – Interlock

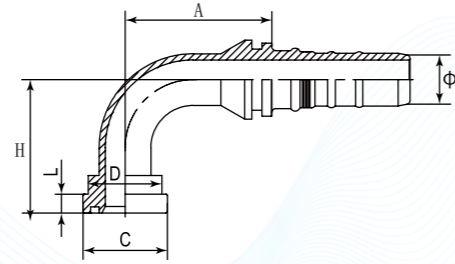
D	P	9	FL	R13
Company	Product Range	Fitting Structure	Connection Type	Hose Fitting
DME	Hose Fitting	90° Elbow	SAE Flange 3000 PSI	Interlock

German Technology Equipment

SHIELD FLEX

New-Standard

- DME&JDE Code: DP9FL-R13
- Product Type: Hose Fitting
- Hose Fitting Type: Interlock
- Structure: 90° Elbow
- Connection Type: Flange 3000 PSI



PART NUMBER	Flange Size	Ø	A	C	D	H	L
#	-	Inch	mm	mm	mm	mm	mm
DP9FL-R13-1212	3/4"	20.00	75.00	38.10	31.70	62.00	7.00
DP9FL-R13-1612	1"	20.00	75.00	44.40	38.00	62.00	8.00
DP9FL-R13-1616	1"	25.00	88.90	44.40	38.00	67.50	8.00
DP9FL-R13-2016	1-1/4"	25.00	88.90	50.80	43.00	67.50	8.00
DP9FL-R13-2020	1-1/4"	32.00	105.80	50.80	43.00	78.50	8.00
DP9FL-R13-2420	1-1/2"	32.00	105.80	60.30	50.00	80.50	8.00
DP9FL-R13-2424	1-1/2"	40.00	123.20	60.30	50.00	94.00	8.00
DP9FL-R13-3224	2"	40.00	123.20	71.40	62.00	94.00	9.53
DP9FL-R13-3232	2"	50.00	150.30	71.40	62.00	114.30	9.53

DP9FS-R13

90° Elbow SAE Flange 6000 PSI – Interlock

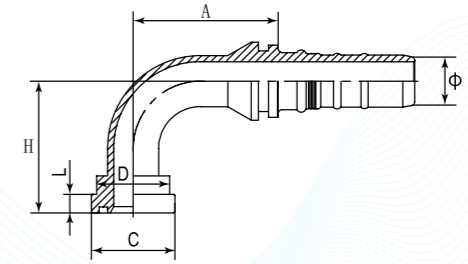
D	P	9	FS	R13
Company	Product Range	Fitting Structure	Connection Type	Hose Fitting
DME	Hose Fitting	90° Elbow	SAE Flange 6000 PSI	Interlock

German Technology Equipment

SHIELD FLEX

New-Standard

- DME&JDE Code: DP9FS-R13
- Product Type: Hose Fitting
- Hose Fitting Type: Interlock
- Structure: 90° Elbow
- Connection Type: Flange 6000 PSI



PART NUMBER	Flange Size	Ø	A	C	D	H	L
#	-	Inch	mm	mm	mm	mm	mm
DP9FS-R13-1212	3/4"	20.00	75.00	41.30	32.00	66.00	8.76
DP9FS-R13-1612	1"	20.00	75.00	47.60	38.00	68.00	9.53
DP9FS-R13-1616	1"	25.00	88.90	47.60	38.00	73.50	9.53
DP9FS-R13-2016	1-1/4"	25.00	88.90	54.00	44.00	78.50	10.29
DP9FS-R13-2020	1-1/4"	32.00	105.80	54.00	44.00	86.50	10.29
DP9FS-R13-2420	1-1/2"	32.00	105.80	63.50	51.00	89.50	12.57
DP9FS-R13-2424	1-1/2"	40.00	124.20	63.50	51.00	103.00	12.57
DP9FS-R13-3224	2"	40.00	124.20	79.40	67.00	103.00	12.57
DP9FS-R13-3232	2"	50.00	150.30	79.40	67.00	123.30	12.57



DP9FSCAT-R13

90° Elbow SAE Flange 9000 PSI – Interlock

D	P	9	FSCAT	R13
Company	Product Range	Fitting Structure	Connection Type	Hose Fitting
DME	Hose Fitting	90° Elbow	SAE Flange 9000 PSI	Interlock

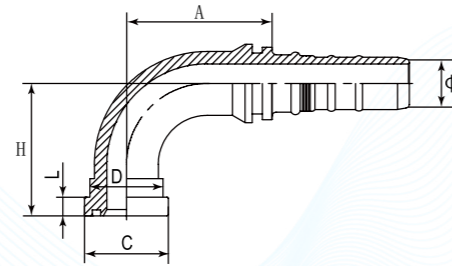
DME&JDE Code: DP9FSCAT-R13

Product Type: Hose Fitting

Hose Fitting Type: Interlock

Structure: 90° Elbow

Connection Type: Flange 9000 PSI



German Technology Equipment

SHIELD FLEX

New-Standard

PART NUMBER	Flange Size	Ø	A	C	D	H	L
#	-	Inch	mm	mm	mm	mm	mm
DP9FSCAT-R13-1212	3/4"	20.00	75.00	41.30	32.00	71.50	14.30
DP9FSCAT-R13-1612	1"	20.00	75.00	47.60	38.00	73.00	14.30
DP9FSCAT-R13-1616	1"	25.00	88.90	47.60	38.00	78.50	14.30
DP9FSCAT-R13-2016	1-1/4"	25.00	88.90	54.00	43.00	79.50	14.30
DP9FSCAT-R13-2020	1-1/4"	32.00	105.80	54.00	43.00	90.50	14.30
DP9FSCAT-R13-2420	1-1/2"	32.00	105.80	63.50	51.00	91.50	14.30
DP9FSCAT-R13-2424	1-1/2"	40.00	124.20	63.50	51.00	105.00	14.30



Hose Fitting

Interlock



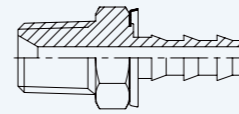


Hose Fitting

Push-on >>

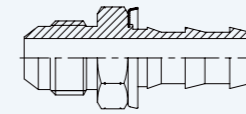


DP1NPM-PO
P875



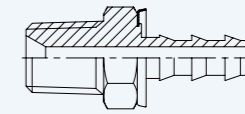
Straight NPTF Male 60° - Push On Tail

DP1JCM-PO
P876



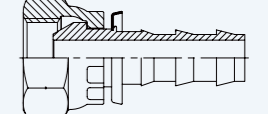
Straight JIC Male 74° Cone - Push On Tail

DP1BTM-PO
P877



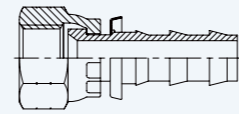
Straight BSPT Male 60° Cone - Push On Tail

DP1BPF-PO
P878



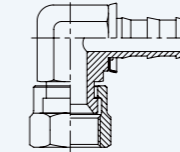
Straight BSPP Swivel Female 60° - Push On Tail

DP1JCF-PO
P879



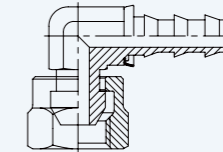
Straight JIC Swivel Female 74° - Push On Tail

DP9JCF-PO
P880



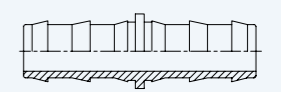
90° Elbow JIC Swivel Female 74° Cone - Push On Tail

DP9BPF-PO
P881



90° Elbow BSPP Swivel Female 60° - Push On Tail

DDC-PO
P882



Push On Hose Joiner



DP1NPM-PO

Straight NPTF Male 60° – Push On Tail

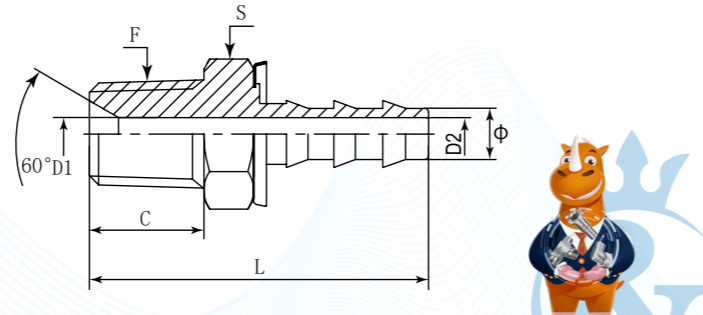
D	P	I	NP	M	PO
Company	Product Range	Fitting Structure	Thread Types	Connection Type	Hose Fitting Type
DME	Hose Fitting	Straight	NPTF	Male	Push On Tail

German Technology Equipment

SHIELD FLEX

New-Standard

- DME&JDE Code: DP1NPM-PO
- Product Type: Hose Fitting
- Hose Fitting Type: Push-On
- Thread Type: NPTF 60° Cone
- Structure: Straight
- Connection Type: Male



PART NUMBER	F (Thread)	Ø	C	D1	D2	L	S
#	NPTF	Inch	mm	mm	mm	mm	mm
DP1NPM-0204PO	1/8"-27	6.70	10.50	4.30	4.30	38.40	12.00
DP1NPM-0404PO	1/4"-18	6.70	15.00	4.30	4.30	44.40	17.00
DP1NPM-0606PO	3/8"-18	9.90	16.00	7.50	7.50	51.90	19.00
DP1NPM-0608PO	3/8"-18	13.20	16.00	9.90	9.90	53.60	19.00
DP1NPM-0806PO	1/2"-14	9.90	19.50	7.50	7.50	55.90	22.00
DP1NPM-0808PO	1/2"-14	13.20	19.50	9.90	9.90	57.60	22.00
DP1NPM-1210PO	3/4"-14	16.25	19.50	15.00	12.40	71.30	27.00
DP1NPM-1212PO	3/4"-14	19.50	19.50	15.40	15.40	71.70	27.00
DP1NPM-1616PO	1"-11-1/2	25.60	25.50	20.80	20.80	87.30	36.00

DP1JCM-PO

Straight JIC Male 74° Cone – Push On Tail

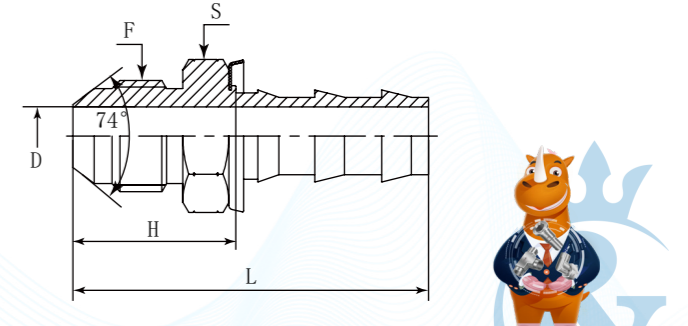
D	P	I	JC	M	PO
Company	Product Range	Fitting Structure	Thread Types	Connection Type	Hose Fitting Type
DME	Hose Fitting	Straight	JIC UNF	Male	Push On Tail

German Technology Equipment

SHIELD FLEX

New-Standard

- DME&JDE Code: DP1JCM-PO
- Product Type: Hose Fitting
- Hose Fitting Type: Push-On
- Fitting Thread Type: JIC UNF 74° Cone
- Structure: Straight
- Connection Type: Male



PART NUMBER	F (Thread)	Ø	D	H	L	S
#	UNF	Inch	mm	mm	mm	mm
DP1JCM-0404PO	7/16"-20	6.70	4.30	22.00	40.00	12.00
DP1JCM-0604PO	9/16"-18	6.70	4.30	22.00	40.00	17.00
DP1JCM-0606PO	9/16"-18	9.90	7.50	22.00	40.00	17.00
DP1JCM-0806PO	3/4"-16	9.90	7.50	27.20	48.40	22.00
DP1JCM-0808PO	3/4"-16	13.20	9.90	27.20	52.70	22.00
DP1JCM-1010PO	7/8"-14	16.25	12.20	30.00	69.00	24.00
DP1JCM-1012PO	7/8"-14	19.50	15.50	29.40	68.00	24.00
DP1JCM-1208PO	1-1/16"-12	13.20	9.90	34.50	60.00	30.00
DP1JCM-1210PO	1-1/16"-12	16.25	12.20	34.00	73.00	30.00
DP1JCM-1212PO	1-1/16"-12	19.50	15.50	33.40	72.00	30.00



DP1BTM-PO

Straight BSPT Male 60° Cone – Push On Tail

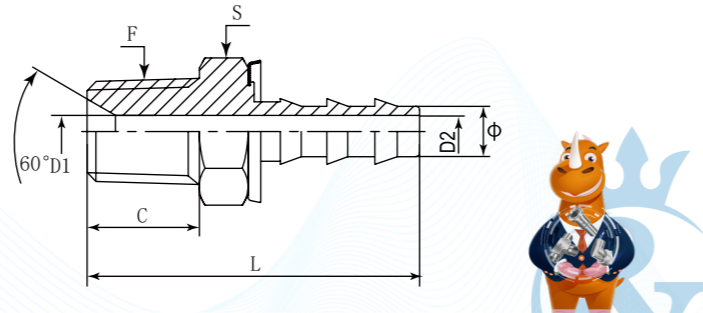
D	P	I	BT	M	PO
Company	Product Range	Fitting Structure	Thread Types	Connection Type	Hose Fitting Type
DME	Hose Fitting	Straight	BSPT	Male	Push On Tail

German Technology Equipment

SHIELD FLEX

New-Standard

- DME&JDE Code: DP1BTM-PO
- Product Type: Hose Fitting
- Hose Fitting Type: Push-On
- Thread Type: BSPT 60° Cone
- Structure: Straight
- Connection Type: Male



PART NUMBER	F (Thread)	Ø	C	D1	D2	L	S
#	BSPT	Inch	mm	mm	mm	mm	mm
DP1BTM-0204PO	1/8"-28	6.70	10.50	4.30	4.30	38.40	12.00
DP1BTM-0404PO	1/4"-19	6.70	15.00	4.30	4.30	44.40	17.00
DP1BTM-0606PO	3/8"-19	9.90	16.00	7.50	7.50	51.90	19.00
DP1BTM-0608PO	3/8"-19	13.20	16.00	9.90	9.90	53.60	19.00
DP1BTM-0806PO	1/2"-14	9.90	19.50	7.50	7.50	55.90	22.00
DP1BTM-0808PO	1/2"-14	13.20	19.50	9.90	9.90	57.60	22.00
DP1BTM-1210PO	3/4"-14	16.25	19.50	15.00	12.40	71.30	27.00
DP1BTM-1212PO	3/4"-14	19.50	19.50	15.40	15.40	71.70	27.00
DP1BTM-1616PO	1"-11	25.60	25.50	20.80	20.80	87.30	36.00



DP1BPF-PO

Straight BSPP Swivel Female 60° – Push On Tail

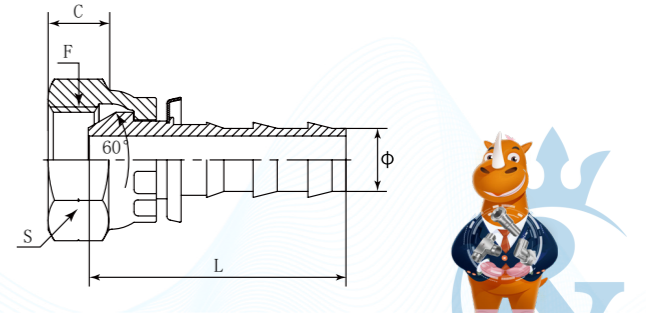
D	P	I	BP	F	PO
Company	Product Range	Fitting Structure	Thread Types	Connection Type	Hose Fitting Type
DME	Hose Fitting	Straight	BSPP	Swivel Female	Push On Tail

German Technology Equipment

SHIELD FLEX

New-Standard

- DME&JDE Code: DP1BPF-PO
- Product Type: Hose Fitting
- Hose Fitting Type: Push-On
- Thread Type: BSPP 60°
- Structure: Straight
- Connection Type: Swivel Female



PART NUMBER	F (Thread)	Ø	C	L	S
#	BSPP	Inch	mm	mm	mm
DP1BPF-0404PO	1/4"-19	6.70	8.50	33.90	19.00
DP1BPF-0406PO	1/4"-19	9.90	8.50	39.20	19.00
DP1BPF-0606PO	3/8"-19	9.90	9.00	40.70	22.00
DP1BPF-0608PO	3/8"-19	13.20	9.00	43.40	22.00
DP1BPF-0806PO	1/2"-14	9.90	11.00	41.70	27.00
DP1BPF-0808PO	1/2"-14	13.20	11.00	44.40	27.00
DP1BPF-0810PO	1/2"-14	16.25	11.00	54.80	27.00
DP1BPF-1010PO	5/8"-14	16.25	13.50	55.30	30.00
DP1BPF-1212PO	3/4"-14	19.50	14.50	56.00	32.00
DP1BPF-1616PO	1"-11	25.60	15.50	69.80	41.00



DP1JCF-PO

Straight JIC Swivel Female 74° – Push On Tail

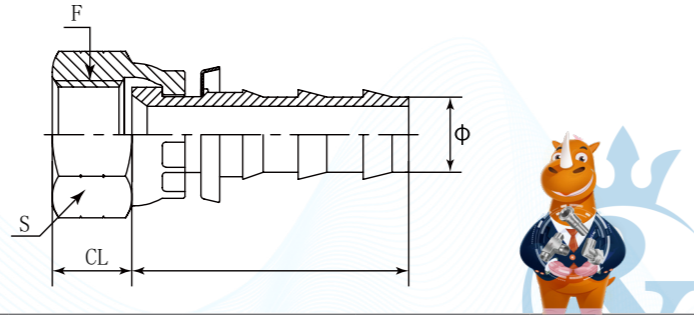
D	P	I	JC	F	PO
Company	Product Range	Fitting Structure	Thread Types	Connection Type	Hose Fitting Type
DME	Hose Fitting	Straight	JIC UNF	Swivel Female	Push On Tail

German Technology Equipment



New-Standard

- DME&JDE Code: DP1JCF-PO
- Product Type: Hose Fitting
- Hose Fitting Type: Push-On
- Thread Type: JIC UNF 74°
- Structure: Straight
- Connection Type: Swivel Female



PART NUMBER	F (Thread)	Ø	C	L	S
#	UNF	mm	mm	mm	mm
DP1JCF-0404PO	7/16"-20	6.70	8.50	30.40	17.00
DP1JCF-0606PO	9/16"-18	9.90	9.50	36.70	19.00
DP1JCF-0806PO	3/4"-16	9.90	11.50	39.20	24.00
DP1JCF-0808PO	3/4"-16	13.20	11.50	41.40	24.00
DP1JCF-1008PO	7/8"-14	13.20	13.00	41.90	27.00
DP1JCF-1010PO	7/8"-14	16.25	13.00	52.30	27.00
DP1JCF-1212PO	1-1/16"-12	19.50	14.50	53.00	32.00
DP1JCF-1616PO	1-5/16"-12	25.60	15.50	64.80	41.00

DP9JCF-PO

90° Elbow JIC Swivel Female 74° Cone – Push On Tail

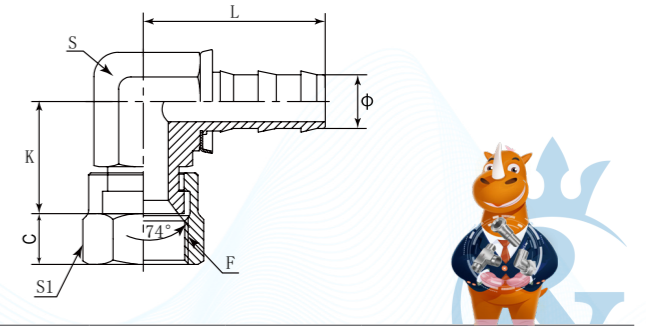
D	P	9	JC	F	PO
Company	Product Range	Fitting Structure	Thread Types	Connection Type	Hose Fitting Type
DME	Hose Fitting	90° Elbow	JIC UNF	Swivel Female	Push On Tail

German Technology Equipment



New-Standard

- DME&JDE Code: DP9JCF-PO
- Product Type: Hose Fitting
- Hose Fitting Type: Push-On
- Thread Type: JIC UNF 74° Cone
- Structure: 90° Elbow
- Connection Type: Swivel Female



PART NUMBER	F (Thread)	Ø	C	K	L	S	S1
#	UNF	Inch	mm	mm	mm	mm	mm
DP9JCF-0404PO	7/16"-20	6.70	9.00	18.00	32.10	11.00	17.00
DP9JCF-0504PO	1/2"-20	6.70	8.38	17.50	34.60	14.00	15.88
DP9JCF-0606PO	9/16"-18	9.90	10.50	22.22	40.00	14.27	19.00
DP9JCF-0808PO	3/4"-16	13.20	10.50	24.33	44.70	19.05	24.00
DP9JCF-1008PO	7/8"-14	13.20	12.50	27.50	46.20	22.00	27.00
DP9JCF-1010PO	7/8"-14	16.25	12.50	27.50	56.60	22.00	27.00
DP9JCF-1212PO	1-1/16"-12	19.50	16.00	30.00	59.50	27.00	32.00



DP9BPF-PO

90° Elbow BSPP Swivel Female 60° – Push On Tail

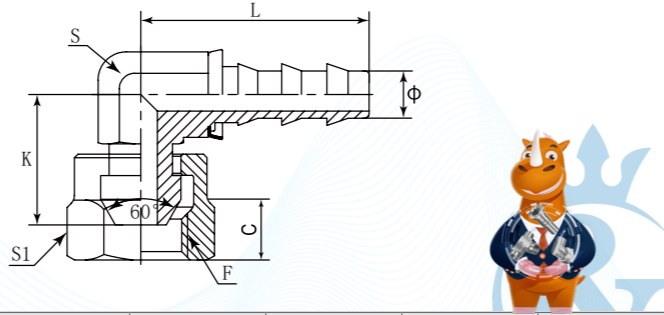
D	P	9	BP	F	PO
Company	Product Range	Fitting Structure	Thread Types	Connection Type	Hose Fitting Type
DME	Hose Fitting	90° Elbow	BSPP	Swivel Female	Push On Tail

German Technology Equipment

SHIELD FLEX

New-Standard

- DME&JDE Code: DP9BPF-PO
- Product Type: Hose Fitting
- Hose Fitting Type: Push-On
- Thread Type: BSPP 60°
- Structure: 90° Elbow
- Connection Type: Swivel Female



PART NUMBER	F (Thread)	Ø	C	K	L	S	S1
#	BSPP	Inch	mm	mm	mm	mm	mm
DP9BPF-0404PO	1/4"-19	6.70	8.50	18.50	32.40	11.00	19.00
DP9BPF-0606PO	3/8"-19	9.90	9.00	28.20	38.50	19.00	22.00
DP9BPF-0808PO	1/2"-14	13.20	11.00	26.50	44.70	19.00	27.00
DP9BPF-1212PO	3/4"-14	19.50	14.50	37.90	59.50	27.00	32.00



DDC-PO

Push On Hose Joiner

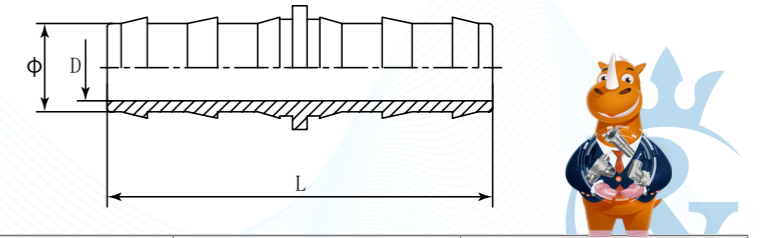
D	DC	PO
Company	Product Range	Hose Fitting Type
DME	Hose Fitting	Push On Tail

German Technology Equipment

SHIELD FLEX

New-Standard

- DME&JDE Code: DDC-PO
- Product Type: Hose Fitting
- Hose Fitting Type: Push-On



PART NUMBER	Ø	D	L
#	Inch	mm	mm
DDC-04PO	6.70	4.30	43.30
DDC-06PO	9.90	7.50	53.70
DDC-08PO	13.20	9.90	57.60
DDC-10PO	16.25	12.40	80.20
DDC-12PO	19.50	15.40	79.00

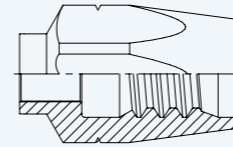




Hose Fitting

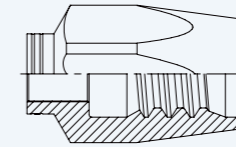
Reusable »

DPF1T-RU
P885



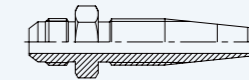
Ferrule, Reusable 1 Wide

DPF2T-RU
P886



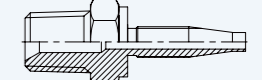
Ferrule, Reusable 2 Wide

DP1JCM-RU
P887



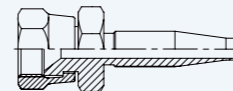
Straight Connector JIC Male 60°
- Reusable Tail for R1/R2/R5

DP1NPM-RU
P888



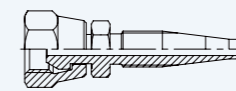
Straight Connector NPTF Male
60° - Reusable Tail for R1/R2/R5

DP1JCF-RU
P889



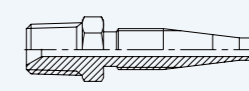
Straight Connector JIC Swivel Female
- Reusable Tail for R1/R2/R5

DP1BPF-RU
P890



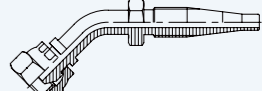
Straight Connector BSPP Swivel
Female 60° - Reusable Tail for R1/R2/
R5

DP1BTM-RU
P891



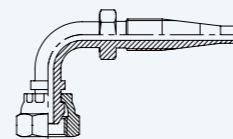
Straight Connector BSPT Male
60° - Reusable Tail for R1/R2/R5

DP4BPF-RU
P892



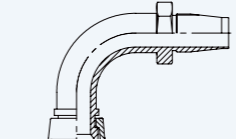
45° Elbow Connector BSPP Swivel
Female 60° - Reusable Tail for R1/
R2/R5

DP9BPF-RU
P893



90° Swept Elbows BSPP Swivel
Female 60° - Reusable Tail for R1/R2/
R5

DP9JCF-RU
P894



90° Swept Elbows JIC Swivel Female
- Reusable Tail for R1/R2/R5

DPF1T-RU

Ferrule, Reusable 1 Wide

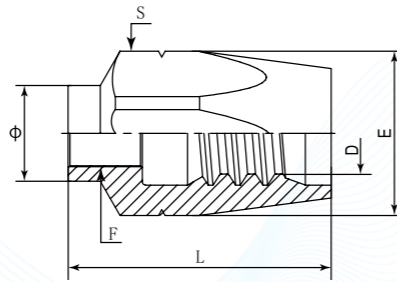
D	P	F	1T	RU
Company	Product Range	Connection Type	Hose Structure	Hose Fitting Type
DME	Hose Fitting	Female	1 Wire	Reusable

German Technology Equipment

SHIELD FLEX

New-Standard

- DME&JDE Code: DPF1T-RU
- Product Type: Hose Fitting
- Hose Fitting Type: Reusable
- Available Hoses: 100 R1
- Thread Type: UNF 60° Cone
- Structure: Straight
- Connection Type: Female



PART NUMBER	F (Thread)	D	Ø	E	L	S
#	UNF	mm	mm	mm	mm	mm
DPF1T-RU-04	1/4"-19	11.50	14.80	24.50	41.00	22
DPF1T-RU-05	1/2"-20	13.50	17.00	24.30	43.00	22
DPF1T-RU-06	9/16"-18	15.60	19.00	26.50	47.80	24
DPF1T-RU-08	5/8"-18	18.10	21.00	30.20	48.80	27
DPF1T-RU-10	3/4"-18	20.50	24.00	30.00	49.00	27
DPF1T-RU-12	7/8"-18	26.40	29.00	40.00	57.50	36
DPF1T-RU-16	1-3/16"-16	33.00	38.00	51.10	75.10	46

DPF2T-RU

Ferrule, Reusable 2 Wide

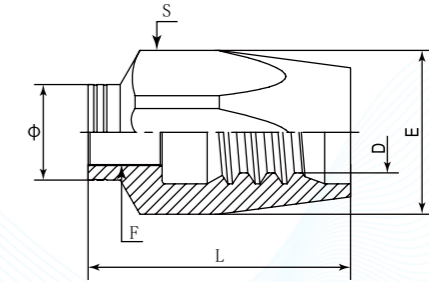
D	P	F	2T	RU
Company	Product Range	Connection Type	Hose Structure	Hose Fitting Type
DME	Hose Fitting	Female	2 Wire	Reusable

German Technology Equipment

SHIELD FLEX

New-Standard

- DME&JDE Code: DPF2T-RU
- Product Type: Hose Fitting
- Hose Fitting Type: Reusable
- Available Hoses: 100 R2
- Connection Type: Female
- Thread Types: UNF



PART NUMBER	F (Thread)	D	Ø	E	L	S
#	UNF	mm	mm	mm	mm	mm
DPF2T-RU-04	7/16"-20	12.60	14.80	24.50	40.70	22
DPF2T-RU-06	9/16"-18	17.00	19.00	26.50	47.80	24
DPF2T-RU-08	5/8"-18	19.50	21.50	30.00	49.00	27
DPF2T-RU-10	3/4"-18	23.70	24.50	35.00	52.60	32
DPF2T-RU-12	7/8"-18	26.50	29.00	40.00	57.00	36
DPF2T-RU-16	1-3/16"-16	35.00	35.00	50.00	75.20	46

DP1JCM-RU

Straight Connector JIC Male 60° – Reusable Tail for R1/R2/R5

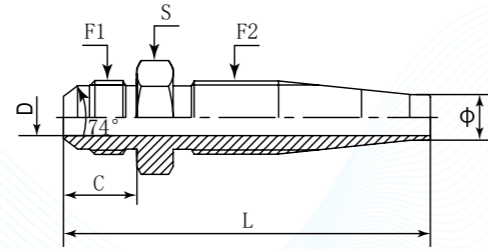
D	P	1	JC	M	RU
Company	Product Range	Fitting Structure	Thread Types	Connection Type	Hose Fitting Type
DME	Hose Fitting	Straight	JIC UNF	Male	Reusable

German Technology Equipment

SHIELD FLEX

New-Standard

- DME&JDE Code: DP1JCM-RU
- Product Type: Hose Fitting
- Hose Fitting Type: Reusable
- Available Hoses: 100 R1, 100 R2 or 100 R5
- Thread Type: UNF 74° Cone x UNF
- Structure: Straight
- Connection Type: Male



PART NUMBER	F1 (Thread)	F2 (Thread)	Ø	C	D	L	S
#	UNF	UNF	mm	mm	mm	mm	mm
DP1JCM-RU-0404	7/16"-20	7/16"-20	6.00	14.00	4.00	62.70	15
DP1JCM-RU-0606	9/16"-18	9/16"-18	8.80	14.10	8.80	70.60	19
DP1JCM-RU-0808	3/4"-16	5/8"-18	11.50	16.70	9.30	78.80	24
DP1JCM-RU-1010	7/8"-14	3/4"-18	14.80	19.30	12.30	82.00	27
DP1JCM-RU-1212	1-1/16"-12	7/8"-18	18.10	21.90	15.00	97.20	32
DP1JCM-RU-1616	1-5/16"-12	1-3/16"-16	23.80	23.10	19.80	110.10	36

DP1NPM-RU

Straight Connector NPTF Male 60° – Reusable Tail for R1/R2/R5

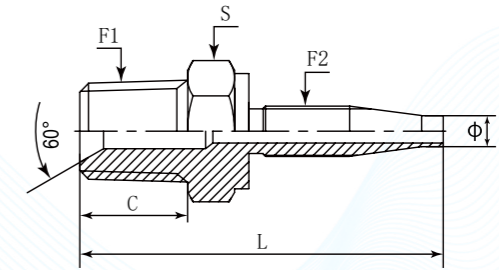
D	P	1	NP	M	RU
Company	Product Range	Fitting Structure	Thread Types	Connection Type	Hose Fitting Type
DME	Hose Fitting	Straight	NPTF	Male	Reusable

German Technology Equipment

SHIELD FLEX

New-Standard

- DME&JDE Code: DP1NPM-RU
- Product Type: Hose Fitting
- Hose Fitting Type: Reusable
- Available Hoses: 100 R1, 100 R2 or 100 R5
- Thread Type: NPTF 60° Cone x UNF
- Structure: Straight
- Connection Type: Male



PART NUMBER	F1 (Thread)	F2 (Thread)	Ø	C	L	S
#	NPTF	UNF	Inch	mm	mm	mm
DP1NPM-RU-0404	1/4"-18	9/32"-32	4.30	15.00	50.50	17
DP1NPM-RU-0806	1/2"-14	9/16"-18	8.80	19.50	79.10	22
DP1NPM-RU-0808	1/2"-14	5/8"-18	11.50	19.50	81.60	22
DP1NPM-RU-1210	3/4"-14	3/4"-18	14.80	19.50	82.20	27
DP1NPM-RU-1212	3/4"-14	7/8"-18	18.10	19.50	94.20	27



DP1JCF-RU

Straight Connector JIC Swivel Female – Reusable Tail for R1/R2/R5

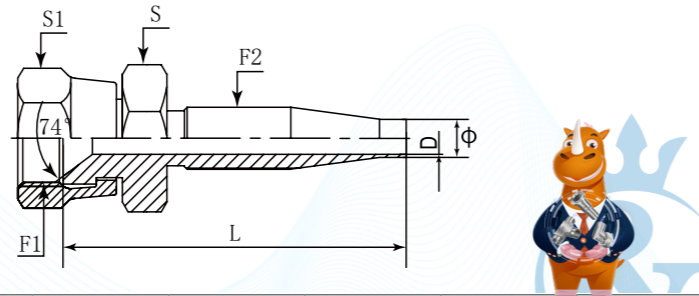
D	P	I	JC	F	RU
Company	Product Range	Fitting Structure	Thread Types	Connection Type	Hose Fitting Type
DME	Hose Fitting	Straight	JIC UNF	Female	Reusable

German Technology Equipment

SHIELD FLEX

New-Standard

- DME&JDE Code: DP1JCF-RU
- Product Type: Hose Fitting
- Hose Fitting Type: Reusable
- Available Hoses: 100 R1, 100 R2 or 100 R5
- Thread Type: UNF 74° Cone × UNF
- Structure: Straight
- Connection Type: Swivel Female



PART NUMBER	F1 (Thread)	F2 (Thread)	D	Ø	L	S	S1
#	UNF	UNF	mm	mm	mm	mm	mm
DP1JCF-RU-0404	7/16"-20	7/16"-20	4.00	6.00	57.00	15	17
DP1JCF-RU-0604	9/16"-18	7/16"-20	4.00	6.00	60.50	17	19
DP1JCF-RU-0605	9/16"-18	1/2"-20	6.90	9.00	62.50	19	19
DP1JCF-RU-0606	9/16"-18	9/16"-18	7.00	8.80	67.00	19	19
DP1JCF-RU-0806	3/4"-16	9/16"-18	7.00	8.80	71.00	24	24
DP1JCF-RU-0808	3/4"-16	5/8"-18	9.30	11.50	73.50	24	24
DP1JCF-RU-1008	7/8"-14	5/8"-18	9.30	11.50	76.50	27	27
DP1JCF-RU-1010	7/8"-14	3/4"-18	12.30	14.80	76.50	27	27
DP1JCF-RU-1212	1-1/16"-12	7/8"-18	15.00	18.10	89.00	32	32
DP1JCF-RU-1616	1-5/16"-12	1-3/16"-16	19.80	23.80	103.00	36	38

DP1BPF-RU

Straight Connector BSPP Swivel Female 60° – Reusable Tail for R1/R2/R5

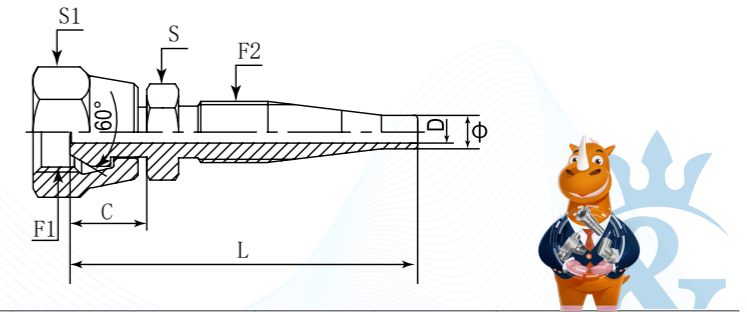
D	P	I	BP	F	RU
Company	Product Range	Fitting Structure	Thread Types	Connection Type	Hose Fitting Type
DME	Hose Fitting	Straight	BSPP	Female	Reusable

German Technology Equipment

SHIELD FLEX

New-Standard

- DME&JDE Code: DP1BPF-RU
- Product Type: Hose Fitting
- Hose Fitting Type: Reusable
- Available Hoses: 100 R1, 100 R2 or 100 R5
- Thread Type: BSPP 60° Cone × UNF
- Structure: Straight
- Connection Type: Swivel Female



PART NUMBER	F1 (Thread)	F2 (Thread)	C	D	Ø	L	S	S1
#	BSPP	UNF	mm	mm	mm	mm	mm	mm
DP1BPF-RU-0404	1/4"-19	7/16"-20	10.50	4.00	6.00	59.20	15	19
DP1BPF-RU-0606	3/8"-19	9/16"-18	11.70	7.00	8.80	68.20	19	22
DP1BPF-RU-0808	1/2"-14	5/8"-18	13.50	9.30	11.50	75.60	24	27
DP1BPF-RU-1010	5/8"-14	3/4"-18	14.00	12.30	14.80	76.70	27	30
DP1BPF-RU-1212	3/4"-14	7/8"-18	14.60	15.00	18.10	89.90	32	32
DP1BPF-RU-1616	1"-11	1-3/16"-16	17.50	19.80	23.80	104.50	36	41

DP1BTM-RU

Straight Connector BSPT Male 60° – Reusable Tail for R1/R2/R5

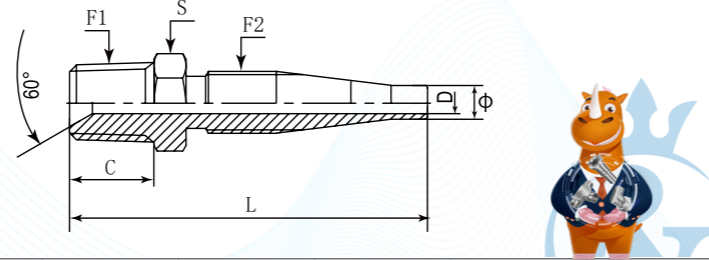
D	P	1	BT	M	RU
Company	Product Range	Fitting Structure	Thread Types	Connection Type	Hose Fitting Type
DME	Hose Fitting	Straight	BSPT	Male	Reusable

German Technology Equipment

SHIELD FLEX

New-Standard

- DME&JDE Code: DP1BTM-RU
- Product Type: Hose Fitting
- Hose Fitting Type: Reusable
- Available Hoses: 100 R1, 100 R2 or 100 R5
- Thread Type: BSPT 60° Cone x UNF
- Structure: Straight
- Connection Type: Male



PART NUMBER	F1 (Thread)	F2 (Thread)	C	D	Ø	L	S
#	BSPT	UNF	mm	mm	mm	mm	mm
DP1BTM-RU-0404	1/4"-19	7/16"-20	14.50	4.00	6.00	63.20	15
DP1BTM-RU-0606	3/8"-19	9/16"-18	15.00	7.00	8.80	71.50	19
DP1BTM-RU-0808	1/2"-14	5/8"-18	20.00	9.30	11.50	82.10	24
DP1BTM-RU-1212	3/4"-14	7/8"-18	19.50	15.00	18.10	94.80	32
DP1BTM-RU-1616	1"-11	1-3/16"-16	25.50	19.80	23.80	112.50	36

DP4BPF-RU

45° Elbow Connector BSPP Swivel Female 60° – Reusable Tail for R1/R2/R5

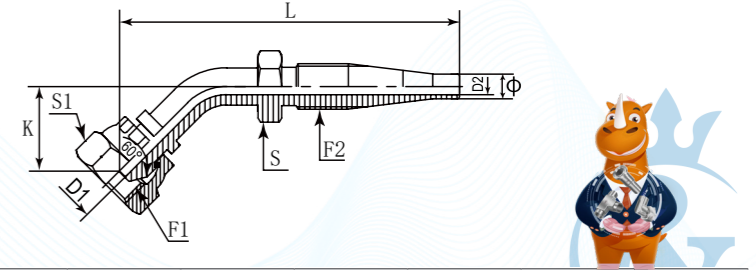
D	P	4	BP	F	RU
Company	Product Range	Fitting Structure	Thread Types	Connection Type	Hose Fitting Type
DME	Hose Fitting	45° Elbow	BSPP	Swivel Female	Reusable

German Technology Equipment

SHIELD FLEX

New-Standard

- DME&JDE Code: DP4BPF-RU
- Product Type: Hose Fitting
- Hose Fitting Type: Reusable
- Available Hoses: 100 R1, 100 R2 or 100 R5
- Thread Type: BSPP 60° Cone x UNF
- Structure: 45° Elbow
- Connection Type: Swivel Female



PART NUMBER	F1 (Thread)	F2 (Thread)	D1/D2	Ø	K	L	S	S1
#	BSPP	UNF	mm	mm	mm	mm	mm	mm
DP4BPF-RU-0404	1/4"-19	7/16"-20	4.00	6.00	20.00	83.00	15	19
DP4BPF-RU-0606	3/8"-19	9/16"-18	7.00	8.80	22.60	94.00	19	22
DP4BPF-RU-0808	1/2"-14	5/8"-18	9.30	11.50	26.00	112.00	24	27
DP4BPF-RU-1212	3/4"-14	7/8"-18	15.00	18.10	31.80	140.50	32	32
DP4BPF-RU-1616	1"-11	1-3/16"-16	19.80	23.80	35.00	161.00	36	41



DP9BPF-RU

90° Swept Elbows BSPP Swivel Female 60° – Reusable Tail for R1/R2/R5

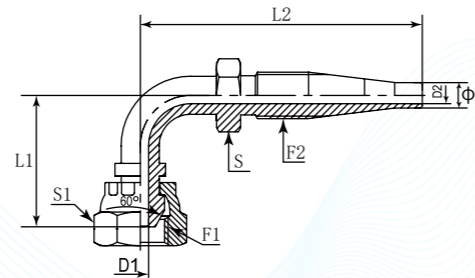
D	P	9	BP	F	RU
Company	Product Range	Fitting Structure	Thread Types	Connection Type	Hose Fitting Type
DME	Hose Fitting	90° Swept Elbows	BSPP	Swivel Female	Reusable

German Technology Equipment

SHIELD FLEX

New-Standard

- DME&JDE Code: DP9BPF-RU
- Product Type: Hose Fitting
- Hose Fitting Type: Reusable
- Available Hoses: 100 R1, 100 R2 or 100 R5
- Thread Type: BSPP 60° Cone × UNF
- Structure: 90° Swept Elbows
- Connection Type: Swivel Female



PART NUMBER	F1 (Thread)	F2 (Thread)	D1	D2	Ø	L1	L2	S	S1
#	BSPP	UNF	mm	mm	mm	mm	mm	mm	mm
DP9BPF-RU-0404	1/4"-19	7/16"-20	4.00	4.00	6.00	30.00	76.00	15	19
DP9BPF-RU-0606	3/8"-19	9/16"-18	7.00	7.00	8.80	43.00	82.50	19	22
DP9BPF-RU-0808	1/2"-14	5/8"-18	9.30	9.30	11.50	51.00	92.00	24	27
DP9BPF-RU-1212	3/4"-14	7/8"-18	15.00	15.00	18.10	66.00	126.50	32	32
DP9BPF-RU-1616	1"-11	1-3/16"-16	19.80	19.80	23.80	73.80	146.00	36	41

DP9JCF-RU

90° Swept Elbows JIC Swivel Female – Reusable Tail for R1/R2/R5

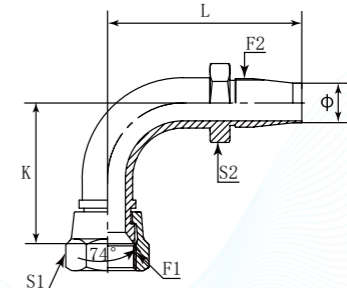
D	P	9	JC	F	RU
Company	Product Range	Fitting Structure	Thread Types	Connection Type	Hose Fitting Type
DME	Hose Fitting	90° Swept Elbows	JIC UNF	Swivel Female	Reusable

German Technology Equipment

SHIELD FLEX

New-Standard

- DME&JDE Code: DP9JCF-RU
- Product Type: Hose Fitting
- Hose Fitting Type: Reusable
- Available Hoses: 100 R1, 100 R2 or 100 R5
- Thread Type: UNF × UNF
- Structure: 90° Elbows
- Connection Type: Swivel Female



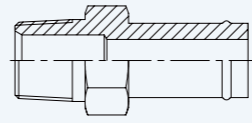
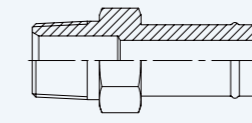
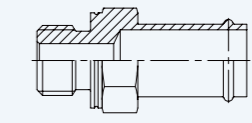
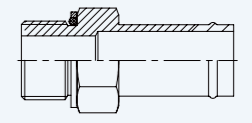
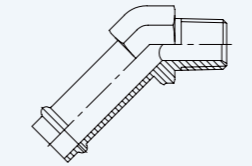
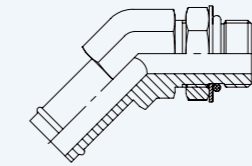
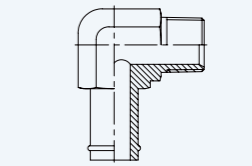
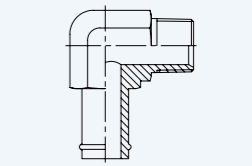
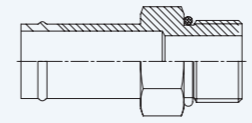
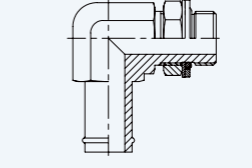
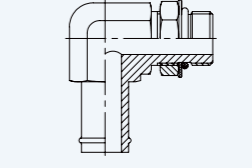
PART NUMBER	F1 (Thread)	F2 (Thread)	Ø	L	K	S1	S2
#	UNF	UNF	Inch	mm	mm	mm	mm
DP9JCF-RU-0404	7/16"-20	7/16"-20	6.00	74.00	29.00	17	15
DP9JCF-RU-0606	9/16"-18	9/16"-18	8.80	84.50	32.50	19	17
DP9JCF-RU-0808	3/4"-16	5/8"-18	11.60	88.00	31.00	24	24
DP9JCF-RU-1010	7/8"-14	3/4"-18	14.80	109.70	52.00	27	27
DP9JCF-RU-1212	1-1/16"-12	7/8"-18	18.10	133.10	58.00	32	32
DP9JCF-RU-1616	1-5/16"-12	1-3/16"-16	23.80	144.50	71.00	38.10	36





Hose Fitting

Suction >>

<p>DASTH128M P897</p>  <p>Straight Connector Suction Tail for Rubber Hose - NPTF Male 60°</p>	<p>DASTH107M P898</p>  <p>Straight Connector Suction Tail for Rubber Hose - BSPT Male 60°</p>	<p>DASTH1525 P899</p>  <p>Straight Suction Tail for Rubber Hose - Metric Male + O Ring Seal</p>	<p>DASTH106Q P900</p>  <p>Straight Connector Suction Tail for Rubber Hose - BSPP Male + O Ring + Retaining Ring</p>
<p>DASTH428M P901</p>  <p>45° Elbow Suction Tail for Rubber Hose - NPTF Male 60°</p>	<p>DASTH4305 P902</p>  <p>45° Adjustable Elbow Suction Tail for Rubber Hose - SAE Male + O Ring</p>	<p>DASTH928M P903</p>  <p>90° Elbow Suction Tail for Rubber Hose - NPTF Male 60°</p>	<p>DASTH907M P904</p>  <p>90° Elbow Suction Tail for Rubber Hose - BSPT Male 60°</p>
<p>DASTH1305 P905</p>  <p>Straight Connector Suction Tail for Rubber Hose - SAE Male + O Ring</p>	<p>DASTH906Q P906</p>  <p>90° Adjustable Elbow Suction Tail for Rubber Hose - BSPP Male + O Ring + Retaining Ring</p>	<p>DASTH9305 P907</p>  <p>90° Adjustable Elbow Suction Tail for Rubber Hose - SAE Male + O Ring</p>	

DASTH128M

Straight Connector Suction Tail for Rubber Hose – NPTF Male 60°

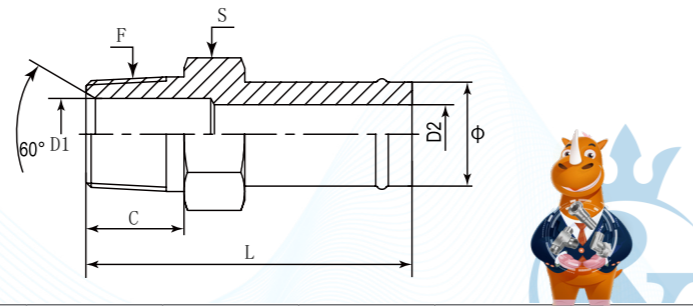
D	A	STH	1	28	M
Company	Product Range	Adaptor Type	Fitting Structure	Thread Types	Connection Type
DME	Adaptor	Suction Tail	Straight	NPTF	Male

German Technology Equipment

SHIELD FLEX

New-Standard

- DME&JDE Code: **DASTH128M**
- Product Type: **Hydraulic adaptor**
- Hose Fitting Type: **Suction Tail**
- Thread Type: **NPTF 60° Cone**
- Structure: **Straight**
- Connection Type: **Male**



PART NUMBER	F (Thread)	Ø	C	D1	D2	L	S
#	NPTF	Inch	mm	mm	mm	mm	mm
DASTH128M-0402	1/8"-27	6.35	9.65	4.78	4.80	55.10	11.10
DASTH128M-0404	1/4"-18	6.35	14.22	7.14	4.80	59.70	14.30
DASTH128M-0502	1/8"-27	7.94	9.65	4.78	6.40	55.12	11.10
DASTH128M-0504	1/4"-18	7.94	14.22	6.40	6.40	60.20	15.88
DASTH128M-0602	1/8"-27	9.53	9.65	4.78	7.54	55.10	14.27
DASTH128M-0604	1/4"-18	9.53	14.22	7.14	7.14	59.44	15.88
DASTH128M-0606	3/8"-18	9.53	14.22	10.31	7.54	59.72	19.05
DASTH128M-0806	3/8"-18	12.70	14.22	10.31	10.31	59.50	19.05
DASTH128M-0808	1/2"-14	12.70	19.05	13.49	10.30	66.05	23.81
DASTH128M-0812	3/4"-14	12.70	19.05	18.26	10.30	67.80	28.58
DASTH128M-1006	3/8"-18	15.87	14.22	10.31	12.70	59.72	22.22
DASTH128M-1008	1/2"-14	15.87	19.05	12.70	12.70	66.04	23.80
DASTH128M-1012	3/4"-14	15.88	19.05	18.26	12.70	68.38	28.58
DASTH128M-1208	1/2"-14	19.05	19.05	13.49	15.90	66.05	25.40
DASTH128M-1212	3/4"-14	19.05	19.05	18.26	15.90	67.85	28.57
DASTH128M-1216	1-11"	19.05	23.88	23.83	15.90	73.30	34.93
DASTH128M-1608	1/2"-14	25.40	19.05	13.49	21.44	69.00	31.75
DASTH128M-1612	3/4"-14	25.39	19.05	18.26	21.40	67.85	31.75
DASTH128M-1616	1-11"	25.40	23.88	23.83	21.44	72.68	34.93
DASTH128M-1620	1-1/4"-11	25.40	24.64	31.75	21.44	74.94	44.45
DASTH128M-2016	1"-11	31.75	23.88	23.83	27.80	72.60	34.93
DASTH128M-2020	1-1/4"-11	31.75	24.64	31.75	27.80	74.94	44.45
DASTH128M-2024	1-1/2"-11	31.75	25.40	38.10	27.80	77.99	50.80
DASTH128M-2420	1-1/4"-11	38.10	24.64	31.75	34.10	74.94	44.45
DASTH128M-2424	1-1/2"-11	38.10	25.40	34.10	34.10	76.20	50.80
DASTH128M-3232	2"-11	50.80	26.16	49.23	46.80	82.76	63.50



DASTH107M

Straight Connector Suction Tail for Rubber Hose – BSPT Male 60°

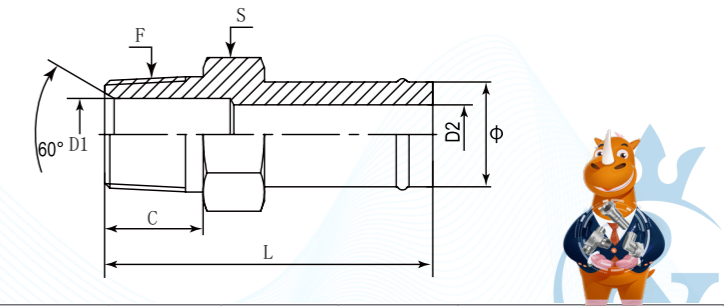
D	A	STH	1	07	M
Company	Product Range	Adaptor Type	Fitting Structure	Thread Types	Connection Type
DME	Adaptor	Suction Tail	Straight	BSPT	Male

German Technology Equipment

SHIELD FLEX

New-Standard

- DME&JDE Code: **DASTH107M**
- Product Type: **Hydraulic adaptor**
- Hose Fitting Type: **Suction Tail**
- Thread Type: **BSPT 60° Cone**
- Structure: **Straight**
- Connection Type: **Male**



PART NUMBER	F (Thread)	Ø	C	D1	D2	L	S	Cross Number
#	BSPT	Inch	mm	mm	mm	mm	mm	-
DASTH107M-0808	1/2"-14	12.70	19.00	10.30	12.00	65.60	24	BTM1-0808L
DASTH107M-1208	1/2"-14	19.05	19.00	15.90	12.00	66.00	23.80	BTM1-0812L
DASTH107M-1212	3/4"-14	19.05	20.00	15.90	16.70	67.00	28.60	BTM1-1212L
DASTH107M-1216	1"-11	19.05	24.00	15.90	22.20	71.00	34.90	BTM1-1612L
DASTH107M-1608	1/2"-14	25.40	19.00	21.40	12.00	67.85	31.75	BTM1-0816L
DASTH107M-1612	3/4"-14	25.40	20.00	21.40	16.70	67.00	31.75	BTM1-1216L
DASTH107M-1616	1"-11	25.40	24.00	21.40	23.83	72.00	34.93	BTM1-1616L
DASTH107M-1620	1-1/4"-11	25.40	25.00	21.40	28.60	75.70	44.50	BTM1-2016L
DASTH107M-1624	1-1/2"-11	25.40	25.00	21.40	33.30	77.00	50	BTM1-2416L
DASTH107M-2012	3/4"-14	31.75	20.00	27.80	16.70	68.50	36	BTM1-1220L
DASTH107M-2016	1"-11	31.75	24.00	27.80	23.83	73.00	34.93	BTM1-1620L
DASTH107M-2024	1-1/2"-11	31.75	25.00	27.80	33.30	77.00	50.80	BTM1-2420L
DASTH107M-2416	1"-11	38.10	24.00	33.00	23.83	75.00	46	BTM1-1624L
DASTH107M-2420	1-1/4"-11	38.10	25.00	34.10	28.60	75.50	46	BTM1-2024L
DASTH107M-2424	1-1/2"-11	38.10	25.00	33.30	33.30	77.00	50.80	BTM1-2424L
DASTH107M-2432	2"-11	38.10	30.00	34.10	46.00	85.00	65	BTM1-3224L
DASTH107M-3224	1-1/2"-11	50.80	25.00	46.80	33.30	80.50	60	BTM1-2432L
DASTH107M-3232	2"-11	50.80	28.40	46.80	49.00	82.54	66.68	BTM1-3232L



DASTH1525

Straight Suction Tail for Rubber Hose – Metric Male + O Ring Seal

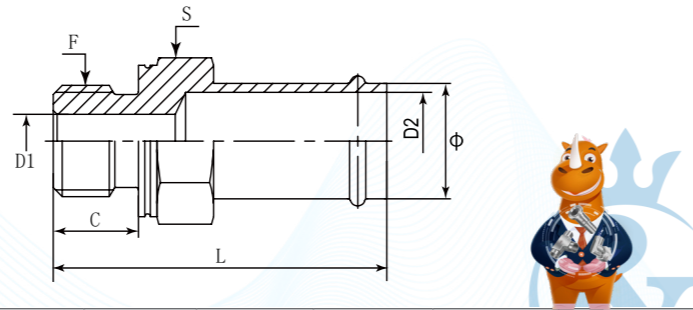
D	A	STH	1	525
Company	Product Range	Adaptor Type	Fitting Structure	Connection Type
DME	Adaptor	Suction Tail	Straight	Metric Male + O Ring Seal

German Technology Equipment

SHIELD FLEX

New-Standard

- DME&JDE Code: DASTH1525
- Product Type: Hydraulic adaptor
- Hose Fitting Type: Suction Tail
- Thread Type: Metric + O Ring Seal
- Structure: Straight
- Connection Type: Male
- Sealing Method: O Rings



PART NUMBER	F (Thread)	Ø	C	D1	D2	L	S	Cross Number
#	Metric	mm	mm	mm	mm	mm	mm	-
DASTH1525-1018	M18X1.5	17.55	12.50	11.00	12.70	62.20	24.00	4679-1018

DASTH106Q

Straight Connector Suction Tail for Rubber Hose – BSPP Male + O Ring + Retaining Ring

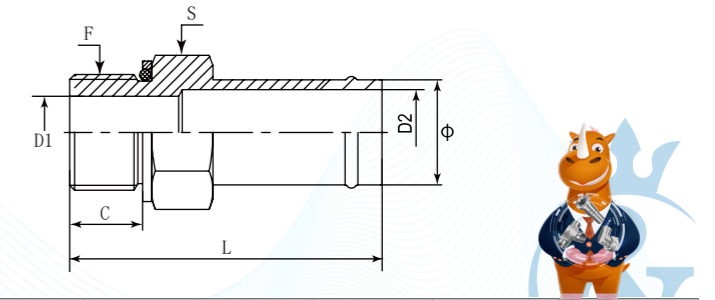
D	A	STH	1	06	0
Company	Product Range	Adaptor Type	Fitting Structure	Thread Types	Connection Type
DME	Adaptor	Suction Tail	Straight	BSPP	Male + O Ring + Retaining Ring

German Technology Equipment

SHIELD FLEX

New-Standard

- DME&JDE Code: DASTH106Q
- Product Type: Hydraulic adaptor
- Hose Fitting Type: Suction Tail
- Thread Type: BSPP + O Ring + Retaining Ring
- Structure: Straight
- Connection Type: Male
- Sealing Method: O Ring + Retaining Ring



PART NUMBER	F (Thread)	Ø	C	D1	D2	L	S	Cross Number
#	BSPP	Inch	mm	mm	mm	mm	mm	-
DASTH106Q-1212	3/4"-14	19.05	14.50	15.50	15.50	67.60	32	BPM1-1212L
DASTH106Q-1216	1"-11	19.05	18.60	21.50	15.90	71.00	41	BPM1-1612L
DASTH106Q-1612	3/4"-14	25.40	14.50	15.50	21.40	67.60	32	BPM1-1216L
DASTH106Q-1616	1"-11	25.40	18.60	21.40	21.40	71.00	41	BPM1-1616L
DASTH106Q-1620	1-1/4"-11	25.40	18.60	27.50	21.40	72.50	50	BPM1-2016L
DASTH106Q-2012	3/4"-14	31.75	14.50	15.50	27.80	66.50	36	BPM1-1220L
DASTH106Q-2016	1"-11	31.75	18.60	21.50	27.80	68.00	41	BPM1-1620L
DASTH106Q-2020	1-1/4"-11	31.75	18.60	27.50	27.50	76.00	50	BPM1-2020L
DASTH106Q-2416	1"-11	38.10	18.60	21.50	34.10	73.50	46	BPM1-1624L
DASTH106Q-2420	1-1/4"-11	38.10	18.60	27.50	34.10	76.00	50	BPM1-2024L
DASTH106Q-2424	1-1/2"-11	38.10	18.60	33.00	33.00	76.00	55	BPM1-2424L
DASTH106Q-3220	1-1/4"-11	50.80	18.60	27.50	46.80	75.20	60	BPM1-2032L
DASTH106Q-3224	1-1/2"-11	50.80	18.60	33.00	46.80	75.20	60	BPM1-2432L
DASTH106Q-3232	2"-11	50.80	18.60	45.00	46.80	75.20	70	BPM1-3232L

DASTH428M

45° Elbow Suction Tail for Rubber Hose – NPTF Male60°

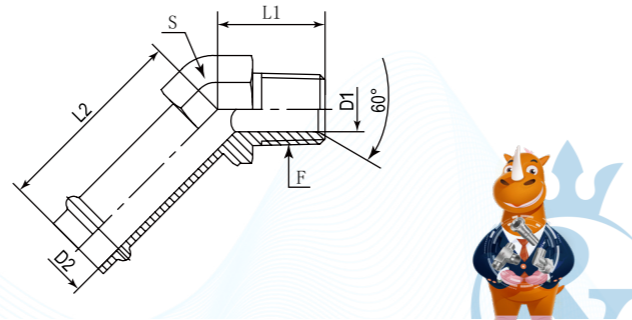
D	A	STH	4	28	M
Company	Product Range	Adaptor Type	Fitting Structure	Thread Types	Connection Type
DME	Adaptor	Suction Tail	45° Elbow	NPTF	Male

German Technology Equipment

SHIELD FLEX

New-Standard

- DME&JDE Code: **DASTH428M**
- Product Type: **Hydraulic adaptor**
- Hose Fitting Type: **Suction Tail**
- Thread Type: **NPTF 60° Cone**
- Structure: **45° Elbow**
- Connection Type: **Male**



PART NUMBER	F (Thread)	Ø	D1	D2	L1	L2	S	Cross Number
#	NPTF	Inch	mm	mm	mm	mm	Inch	-
DASTH428M-0402	1/8"-27	6.35	4.78	4.80	16.30	38.00	7/16"	4503-0402
DASTH428M-0404	1/4"-18	6.35	7.14	4.80	21.80	38.00	9/16"	4503-0404
DASTH428M-0604	1/4"-18	9.53	7.14	7.50	21.00	40.00	9/16"	4503-0604
DASTH428M-0606	3/8"-18	9.53	10.31	7.50	24.13	45.50	3/4"	4503-0606
DASTH428M-0806	3/8"-18	12.70	10.31	10.31	23.50	43.00	3/4"	4503-0806
DASTH428M-0808	1/2"-14	12.70	13.49	10.31	29.72	44.20	7/8"	4503-0808
DASTH428M-1006	3/8"-18	15.87	10.31	12.70	24.13	44.20	7/8"	4503-1006
DASTH428M-1008	1/2"-14	15.87	13.49	12.70	29.70	46.48	7/8"	4503-1008
DASTH428M-1012	3/4"-14	15.88	18.26	12.70	31.24	43.64	1-1/16"	4503-1012
DASTH428M-1208	1/2"-14	19.05	13.49	15.90	29.71	46.89	7/8"	4503-1208
DASTH428M-1212	3/4"-14	19.05	18.26	15.90	31.24	43.64	1-1/16"	4503-1212
DASTH428M-1216	1"-11-1/2	19.05	23.83	15.90	31.24	43.64	1-5/16"	4503-1216
DASTH428M-1612	3/4"-14	25.39	18.26	21.44	31.00	43.65	1-1/16"	4503-1612
DASTH428M-1616	1"-11-1/2	25.40	23.83	21.44	37.60	48.00	1"5/16	4503-1616
DASTH428M-2020	1-1/4"-11-1/2	31.75	31.75	27.80	41.00	48.50	1"5/8	4503-2020
DASTH428M-2424	1-1/2"-11-1/2	38.10	38.10	34.10	44.96	54.50	1"7/8	4503-2424
DASTH428M-3232	2"-11-1/2	50.80	49.23	46.80	50.80	53.60	1"1/2	4503-3232



DASTH4305

45° Adjustable Elbow Suction Tail for Rubber Hose – SAE Male + O Ring

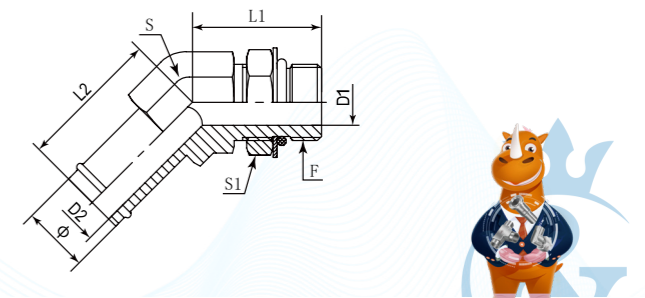
D	A	STH	4	30	5
Company	Product Range	Adaptor Type	Fitting Structure	Thread Types	Connection Type
DME	Adaptor	Suction Tail	45° Elbow	SAE UNF	Male + O Ring

German Technology Equipment

SHIELD FLEX

New-Standard

- DME&JDE Code: **DASTH4305**
- Product Type: **Hydraulic adaptor**
- Hose Fitting Type: **Suction Tail**
- Thread Type: **SAE UNF + O Ring**
- Structure: **45° Elbow**
- Connection Type: **Adjustable Male**
- Sealing Method: **O Rings**



PART NUMBER	F (Thread)	Ø	D1	D2	L1	L2	S	S1	Cross Number
#	UNF	Inch	mm	mm	mm	mm	mm	mm	-
DASTH4305-0404	7/16"-20	6.35	4.37	4.80	26.19	44.45	12.70	14.29	4603-0404
DASTH4305-0406	9/16"-18	6.35	7.54	4.80	31.75	46.02	15.88	17.46	4603-0406
DASTH4305-0604	7/16"-20	9.52	4.37	7.54	30.23	45.97	11.11	14.29	4603-0604
DASTH4305-0606	9/16"-18	9.52	7.54	7.54	31.75	46.02	15.88	17.46	4603-0606
DASTH4305-0608	3/4"-16	9.52	9.93	7.54	37.34	48.01	20.64	25.40	4603-0608
DASTH4305-0806	9/16"-18	12.70	7.54	10.31	46.02	48.41	20.64	17.46	4603-0806
DASTH4305-0808	3/4"-16	12.70	9.93	10.31	36.91	48.41	20.64	22.22	4603-0808
DASTH4305-1008	3/4"-16	15.87	9.93	12.70	36.83	48.26	20.64	22.22	4603-1008
DASTH4305-1010	7/8"-14	15.87	12.29	12.70	43.26	49.99	23.81	25.40	4603-1010
DASTH4305-1012	1-1/16"-12	15.87	15.47	12.70	49.02	52.58	28.58	31.75	4603-1012
DASTH4305-1208	3/4"-16	19.05	9.93	15.90	36.83	52.00	20.64	25.40	4603-1208
DASTH4305-1210	7/8"-14	19.05	12.29	15.90	44.00	56.00	22.22	27.00	4603-1210
DASTH4305-1212	1-1/16"-12	19.05	15.47	15.90	49.20	52.40	28.58	31.75	4603-1212
DASTH4305-1216	1-5/16"-12	19.05	21.44	15.90	51.82	55.63	34.93	38.10	4603-1216
DASTH4305-1608	3/4"-16	25.39	9.93	21.44	40.64	52.07	28.58	22.22	4603-1608
DASTH4305-1612	1-1/16"-12	25.39	15.47	21.44	49.53	51.31	28.58	31.75	4603-1612
DASTH4305-1614	1-3/16"-12	25.39	18.26	21.44	50.80	53.59	31.75	34.93	4603-1614
DASTH4305-1616	1-5/16"-12	25.40	21.44	21.44	52.07	56.50	33.32	38.10	4603-1616
DASTH4305-1620	1-5/8"-12	25.39	27.38	21.44	57.15	59.44	44.45	47.63	4603-1620
DASTH4305-2012	1-1/16"-12	31.74	15.47	27.80	50.80	60.96	41.27	31.75	4603-2012
DASTH4305-2016	1-5/16"-12	31.75	21.44	27.80	51.80	58.90	34.93	38.10	4603-2016
DASTH4305-2020	1-5/8"-12	31.74	27.38	27.80	56.90	66.40	44.45	47.63	4603-2020
DASTH4305-2024	1-7/8"-12	31.74	33.32	27.80	60.96	63.50	50.80	53.98	4603-2024
DASTH4305-2416	1-5/16"-12	38.11	21.44	34.10	60.45	65.30	41.27	38.10	4603-2416
DASTH4305-2420	1-5/8"-12	38.11	27.38	34.10	60.00	66.50	44.45	47.63	4603-2420
DASTH4305-2424	1-7/8"-12	38.10	33.32	34.10	60.70	68.50	47.63	53.98	4603-2424
DASTH4305-3232	2-1/2"-12	50.80	45.24	46.80	50.35	55.40	63.50	69.85	4603-3232



DASTH928M

90° Elbow Suction Tail for Rubber Hose – NPTF Male 60°

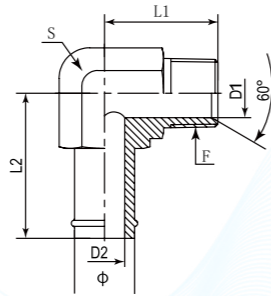
D	A	STH	9	28	M
Company	Product Range	Adaptor Type	Fitting Structure	Thread Types	Connection Type
DME	Adaptor	Suction Tail	90° Elbow	NPTF	Male

German Technology Equipment

SHIELD FLEX

New-Standard

- DME&JDE Code: **DASTH928M**
- Product Type: **Hydraulic adaptor**
- Hose Fitting Type: **Suction Tail**
- Thread Type: **NPTF 60° Cone**
- Structure: **90° Elbow**
- Connection Type: **Male**



PART NUMBER	F (Thread)	Ø	D1	D2	L1	L2	S	Cross Number
#	NPTF	Inch	mm	mm	mm	mm	mm	-
DASTH928M-0402	1/8"-27	6.35	4.78	4.80	19.81	46.53	11.11	4501-0402
DASTH928M-0404	1/4"-18	6.35	7.14	4.80	27.69	48.84	14.27	4501-0404
DASTH928M-0504	1/4"-18	8.00	7.14	6.43	27.40	31.80	14.27	4501-0504
DASTH928M-0602	1/8"-27	9.53	4.78	7.54	22.90	46.00	14.27	4501-0602
DASTH928M-0604	1/4"-18	9.53	7.14	7.50	27.69	48.84	14.27	4501-0604
DASTH928M-0606	3/8"-18	9.53	10.31	7.50	30.99	52.10	19.05	4501-0606
DASTH928M-0608	1/2"-14	9.52	13.49	7.54	37.30	51.80	22.20	4501-0608
DASTH928M-0806	3/8"-18	12.70	10.31	10.31	34.54	52.10	19.05	4501-0806
DASTH928M-0808	1/2"-14	12.70	13.49	10.31	37.34	54.44	22.23	4501-0808
DASTH928M-0812	3/4"-14	12.70	18.26	10.30	40.39	56.19	26.97	4501-0812
DASTH928M-1006	3/8"-18	15.87	10.31	12.70	34.54	54.44	19.05	4501-1006
DASTH928M-1008	1/2"-14	15.87	13.49	12.70	37.34	54.44	22.23	4501-1008
DASTH928M-1012	3/4"-14	15.88	18.26	12.70	40.39	56.20	26.98	4501-1012
DASTH928M-1206	3/8"-18	19.05	10.31	15.90	31.90	54.44	22.22	4501-1206
DASTH928M-1208	1/2"-14	19.05	13.49	15.90	37.34	54.44	22.23	4501-1208
DASTH928M-1212	3/4"-14	19.05	18.26	15.90	42.00	56.00	26.90	4501-1212
DASTH928M-1216	1"-11-1/2	19.05	23.83	15.90	50.04	61.84	33.32	4501-1216
DASTH928M-1612	3/4"-14	25.39	18.26	21.44	42.39	56.19	26.97	4501-1612
DASTH928M-1616	1"-11-1/2	25.40	23.83	21.44	50.00	60.80	33.33	4501-1616
DASTH928M-1620	1-1/4"-11-1/2	25.39	34.14	21.40	60.45	63.50	41.27	4501-1620
DASTH928M-2016	1"-11-1/2	31.75	23.83	27.80	50.29	58.00	34.93	4501-2016
DASTH928M-2020	1-1/4"-11-1/2	31.74	31.75	27.80	60.45	66.93	41.27	4501-2020
DASTH928M-2420	1-1/4"-11-1/2	38.10	31.75	34.10	60.00	65.50	47.62	4501-2420
DASTH928M-2424	1-1/2"-11-1/2	38.11	38.10	34.10	67.06	71.11	47.63	4501-2424
DASTH928M-3232	2"-11-1/2	50.80	49.23	46.80	76.20	77.70	63.50	4501-3232



DASTH907M

90° Elbow Suction Tail for Rubber Hose – BSPT Male 60°

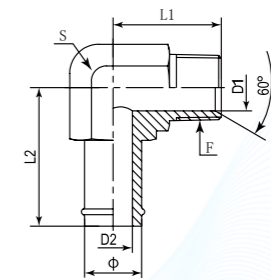
D	A	STH	9	07	M
Company	Product Range	Adaptor Type	Fitting Structure	Thread Types	Connection Type
DME	Adaptor	Suction Tail	90° Elbow	BSPT	Male

German Technology Equipment

SHIELD FLEX

New-Standard

- DME&JDE Code: **DASTH907M**
- Product Type: **Hydraulic adaptor**
- Hose Fitting Type: **Suction Tail**
- Thread Type: **BSPT 60° Cone**
- Structure: **90° Elbow**
- Connection Type: **Male**



PART NUMBER	F (Thread)	Ø	D1	D2	L1	L2	S	Cross Number
#	BSPT	Inch	mm	mm	mm	mm	mm	-
DASTH907M-0808	1/2"-14	12.70	12.00	10.31	37.30	52.00	22.22	BTM9-0808L
DASTH907M-1012	3/4"-14	15.88	18.00	12.70	40.30	56.20	26.97	BTM9-1210L
DASTH907M-1208	1/2"-14	19.05	12.00	15.90	40.40	56.20	26.98	BTM9-0812L
DASTH907M-1216	1"-11	19.05	22.20	15.90	50.00	60.10	33.32	BTM9-1612L
DASTH907M-1220	1-1/4"-11	19.05	28.60	15.90	60.50	60.00	41.30	BTM9-2012L
DASTH907M-1612	3/4"-14	25.40	18.00	21.40	40.30	52.30	28.70	BTM9-1216L
DASTH907M-1616	1"-11	25.40	22.20	21.40	50.00	54.00	33.30	BTM9-1616L
DASTH907M-1620	1-1/4"-11	25.40	28.60	21.40	60.50	66.90	41.30	BTM9-2016L
DASTH907M-2012	3/4"-14	31.75	16.70	27.80	56.30	65.20	41.30	BTM9-1220L
DASTH907M-2016	1"-11	31.75	22.20	27.80	60.30	65.20	41.30	BTM9-1620L
DASTH907M-2024	1-1/2"-11	31.75	33.30	27.80	62.29	67.30	47.63	BTM9-2420L
DASTH907M-2420	1-1/4"-11	38.10	28.60	34.10	60.50	66.90	47.60	BTM9-2024L
DASTH907M-2424	1-1/2"-11	38.10	33.30	34.10	67.00	66.00	47.63	BTM9-2424L
DASTH907M-3224	1-1/2"-11	50.80	33.30	46.80	71.00	77.70	63.50	BTM9-2432L
DASTH907M-3232	2"-11	50.80	46.00	46.80	75.00	77.70	63.50	BTM9-3232L



DASTH1305

Straight Connector Suction Tail for Rubber Hose – SAE Male + O Ring

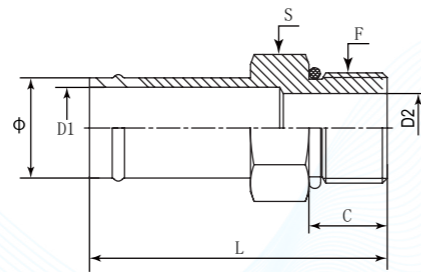
D	A	STH	1	30	5
Company	Product Range	Adaptor Type	Fitting Structure	Thread Types	Connection & Sealing Method
DME	Adaptor	Suction Tail	Straight	SAE UNF	Male + O Ring

German Technology Equipment

SHIELD FLEX

New-Standard

- DME&JDE Code: **DASTH1305**
- Product Type: **Hose Fitting**
- Hose Fitting Type: **Suction Tail**
- Thread Type: **SAE UNF + O Ring**
- Structure: **Straight**
- Connection Type: **Male**
- Sealing Method: **O Rings**



PART NUMBER	F (Thread)	Ø	C	D1	D2	L	S
#	UNF	Inch	mm	mm	mm	mm	mm
DASTH1305-0404	7/16"-20	6.35	9.14	4.37	4.37	55.04	14.27
DASTH1305-0406	9/16"-18	6.35	9.93	7.54	4.80	56.64	17.46
DASTH1305-0604	7/16"-20	9.53	9.14	4.37	7.50	55.00	14.27
DASTH1305-0606	9/16"-18	10.95	9.93	7.50	9.53	57.00	17.46
DASTH1305-0608	3/4"-16	9.53	11.13	9.93	7.50	59.70	22.22
DASTH1305-0806	9/16"-18	12.70	9.93	7.54	10.30	57.00	17.46
DASTH1305-0808	3/4"-16	12.70	11.13	9.93	10.31	59.69	22.22
DASTH1305-1008	3/4"-16	15.88	11.13	9.93	12.70	58.50	22.22
DASTH1305-1010	7/8"-14	15.88	12.70	12.29	12.70	63.00	25.40
DASTH1305-1012	1-1/16"-12	15.88	15.09	15.47	12.70	65.80	31.75
DASTH1305-1208	3/4"-16	19.05	11.13	9.93	15.90	62.20	25.40
DASTH1305-1210	7/8"-14	19.05	12.70	12.29	15.90	62.00	25.40
DASTH1305-1212	1-1/16"-12	19.05	15.09	15.47	15.47	66.00	26.98
DASTH1305-1216	1-5/16"-12	19.05	15.09	21.44	19.05	66.05	38.10
DASTH1305-1608	3/4"-16	25.40	11.13	9.93	21.44	62.80	31.75
DASTH1305-1612	1-1/16"-12	25.40	15.09	15.47	21.40	66.04	31.75
DASTH1305-1616	1-5/16"-12	25.40	15.09	21.40	21.40	66.50	38.10
DASTH1305-1620	1-5/8"-12	25.40	15.09	27.38	21.44	68.60	47.63
DASTH1305-2012	1-1/16"-12	31.75	15.09	15.47	27.80	66.10	38.10
DASTH1305-2016	1-5/16"-12	31.75	15.09	21.44	27.80	69.00	38.10
DASTH1305-2020	1-5/8"-12	31.75	15.09	27.38	27.38	67.90	47.60
DASTH1305-2024	1-7/8"-12	31.75	15.09	33.32	27.80	70.40	53.97
DASTH1305-2416	1-5/16"-12	38.10	15.09	21.44	33.32	66.80	42.88
DASTH1305-2420	1-5/8"-12	38.10	15.09	27.38	38.10	68.90	47.63
DASTH1305-2424	1-7/8"-12	38.10	15.09	33.32	33.32	70.40	53.97
DASTH1305-3220	1-5/8"-12	50.80	15.09	27.38	46.80	74.00	57.15
DASTH1305-3224	1-7/8"-12	50.80	15.09	33.32	46.80	70.80	57.15
DASTH1305-3232	2-1/2"-12	50.80	15.09	45.25	46.80	74.68	69.85

DASTH906Q

90° Adjustable Elbow Suction Tail for Rubber Hose – BSPP Male + O Ring + Retaining Ring

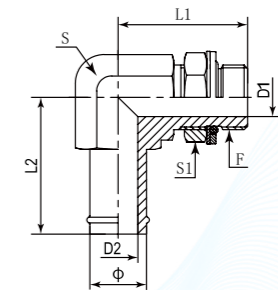
D	A	STH	9	06	Q
Company	Product Range	Adaptor Type	Fitting Structure	Thread Types	Connection Type
DME	Adaptor	Suction Tail	90° Elbow	BSPP	Male + O Ring + Retaining Ring

German Technology Equipment

SHIELD FLEX

New-Standard

- DME&JDE Code: **DASTH906Q**
- Product Type: **Hydraulic adaptor**
- Hose Fitting Type: **Suction Tail**
- Thread Type: **BSPP + O Ring + Retaining Ring**
- Structure: **90° Elbow**
- Connection Type: **Adjustable Male**
- Sealing Method: **O Ring + Retaining Ring**



PART NUMBER	F (Thread)	Ø	D1	D2	L1	L2	S	S1	Cross Number
#	BSPP	Inch	mm	mm	mm	mm	mm	mm	-
DASTH906Q-1212	3/4"-14	19.05	15.50	15.90	50.00	49.20	28.58	36	BPM9-1212L
DASTH906Q-1612	3/4"-14	25.40	15.50	21.44	50.00	56.56	28.57	36	BPM9-1216L
DASTH906Q-1616	1"-11	25.40	21.50	21.40	53.00	55.50	33.30	41	BPM9-1616L
DASTH906Q-2012	3/4"-14	31.75	15.50	27.80	56.00	65.00	41.27	36	BPM9-1220L
DASTH906Q-2016	1"-11	31.75	21.50	27.80	53.00	56.50	41.30	41	BPM9-1620L
DASTH906Q-2020	1-1/4"-11	31.75	27.50	27.80	58.00	66.40	41	50	BPM9-2020L
DASTH906Q-2024	1-1/2"-11	31.75	33.00	27.80	60.70	68.00	47.60	55	BPM9-2420L
DASTH906Q-2416	1"-11	38.10	21.50	34.10	60.00	65.00	47.63	41	BPM9-1624L
DASTH906Q-2420	1-1/4"-11	38.10	27.50	34.10	60.70	68.00	48	50	BPM9-2024L
DASTH906Q-2424	1-1/2"-11	38.10	33.00	34.10	66.50	71.10	47.60	55	BPM9-2424L
DASTH906Q-3220	1-1/4"-11	50.80	27.50	46.80	75.00	77.70	63.50	50	BPM9-2032L
DASTH906Q-3224	1-1/2"-11	50.80	33.00	46.80	75.00	77.70	63.50	55	BPM9-2432L
DASTH906Q-3232	2"-11	50.80	45.00	46.80	75.00	77.70	63.50	70	BPM9-3232L

DASTH9305

90° Adjustable Elbow Suction Tail for Rubber Hose – SAE Male + O Ring

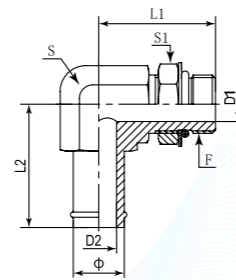
D	A	STH	9	30	5
Company	Product Range	Adaptor Type	Fitting Structure	Thread Types	Connection Type
DME	Adaptor	Suction Tail	90° Elbow	SAE UNF	Male + O Ring

German Technology Equipment

SHIELD FLEX

New-Standard

- DME&JDE Code: **DASTH9305**
- Product Type: **Hydraulic adaptor**
- Hose Fitting Type: **Suction Tail**
- Thread Type: **SAE UNF + O Ring**
- Structure: **90° Elbow**
- Connection Type: **Adjustable Male**



PART NUMBER	F (Thread)	Ø	D1	D2	L1	L2	S	S1	Cross Number
#	UNF	Inch	mm	mm	mm	mm	mm	mm	-
DASTH9305-0404	7/16"-20	6.35	4.37	4.80	26.19	44.45	12.70	14.29	4601-0404
DASTH9305-0406	9/16"-18	6.35	7.54	4.80	31.75	46.02	15.88	17.46	4601-0406
DASTH9305-0604	7/16"-20	9.52	4.37	7.54	30.23	45.97	11.11	14.29	4601-0604
DASTH9305-0606	9/16"-18	9.52	7.54	7.54	31.75	46.02	15.88	17.46	4601-0606
DASTH9305-0608	3/4"-16	9.52	9.93	7.54	37.34	48.01	20.64	25.40	4601-0608
DASTH9305-0806	9/16"-18	12.70	7.54	10.31	46.02	48.41	20.64	17.46	4601-0806
DASTH9305-0808	3/4"-16	12.70	9.93	10.31	36.91	48.41	20.64	22.22	4601-0808
DASTH9305-1008	3/4"-16	15.87	9.93	12.70	36.83	48.26	20.64	22.22	4601-1008
DASTH9305-1010	7/8"-14	15.87	12.29	12.70	43.26	49.99	23.81	25.40	4601-1010
DASTH9305-1012	1-1/16"-12	15.87	15.47	12.70	49.02	52.58	28.58	31.75	4601-1012

Certificate:

DASTH9305-1208	3/4"-16	19.05	9.93	15.90	36.83	52.00	20.64	25.40	4601-1208
DASTH9305-1210	7/8"-14	19.05	12.29	15.90	44.00	56.00	22.22	27.00	4601-1210
DASTH9305-1212	1-1/16"-12	19.05	15.47	15.90	49.20	52.40	28.58	31.75	4601-1212
DASTH9305-1216	1-5/16"-12	19.05	21.44	15.90	51.82	55.63	34.93	38.10	4601-1216
DASTH9305-1608	3/4"-16	25.39	9.93	21.44	40.64	52.07	28.58	22.22	4601-1608
DASTH9305-1612	1-1/16"-12	25.39	15.47	21.44	49.53	51.31	28.58	31.75	4601-1612
DASTH9305-1614	1-3/16"-12	25.39	18.26	21.44	50.80	53.59	31.75	34.93	4601-1614
DASTH9305-1616	1-5/16"-12	25.40	21.44	21.44	52.07	56.50	33.32	38.10	4601-1616
DASTH9305-1620	1-5/8"-12	25.39	27.38	21.44	57.15	59.44	44.45	47.63	4601-1620
DASTH9305-2012	1-1/16"-12	31.74	15.47	27.80	50.80	60.96	41.27	31.75	4601-2012
DASTH9305-2016	1-5/16"-12	31.75	21.44	27.80	51.80	58.90	34.93	38.10	4601-2016
DASTH9305-2020	1-5/8"-12	31.74	27.38	27.80	56.90	66.40	44.45	47.63	4601-2020
DASTH9305-2024	1-7/8"-12	31.74	33.32	27.80	60.96	63.50	50.80	53.98	4601-2024
DASTH9305-2416	1-5/16"-12	38.11	21.44	34.10	60.45	65.30	41.27	38.10	4601-2416
DASTH9305-2420	1-5/8"-12	38.11	27.38	34.10	60.00	66.50	44.45	47.63	4601-2420
DASTH9305-2424	1-7/8"-12	38.10	33.32	34.10	60.70	68.50	47.63	53.98	4601-2424
DASTH9305-3220	1-5/8"-12	50.80	27.38	46.80	73.40	77.70	63.50	47.63	4601-3220
DASTH9305-3224	2-1/2"-12	50.80	33.32	46.80	73.40	77.70	63.50	53.98	4601-3224
DASTH9305-3232	2-1/2"-12	50.80	45.24	46.80	73.40	77.70	63.50	69.85	4601-3232

Certificate:

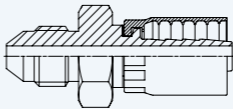
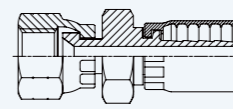
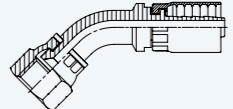
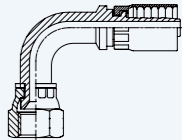
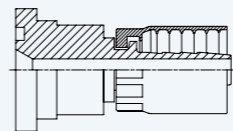
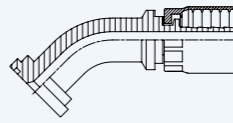
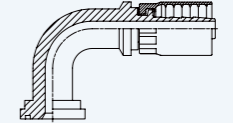
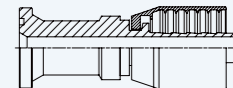
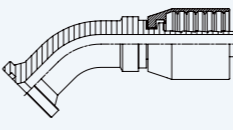
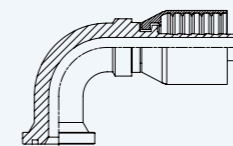
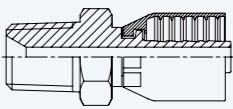
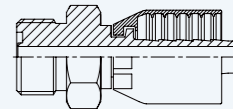
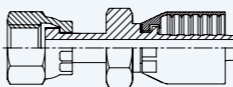
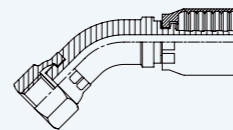
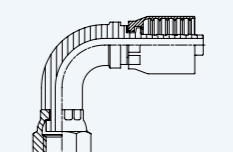




Hose Fitting

One Piece »



<p>DP1JCMF P911</p>  <p>Straight Connector JIC Male 74° Cone - One Piece</p>	<p>DP1JCF P912</p>  <p>Straight Connector JIC Female 74° Cone - One Piece</p>	<p>DP4JCF P913</p>  <p>45° Elbow JIC Female 74° - One Piece</p>	<p>DP9JCF P914</p>  <p>90° Elbow JIC Female 74° Cone - One Piece</p>
<p>DP1FLF P915</p>  <p>Straight Connector SAE Flange Code 61 (3000 PSI) - One Piece</p>	<p>DP4FLF P916</p>  <p>45° Elbow SAE Flange Code 61 (3000 PSI) - One Piece</p>	<p>DP9FLF P917</p>  <p>90° Elbow SAE Flange Code 61 (3000PSI) - One Piece</p>	<p>DP1FSF P918</p>  <p>Straight Connector SAE Flange Code 62 (6000 PSI) - One Piece</p>
<p>DP4FSF P919</p>  <p>45° Elbow SAE Flange Code 62 (6000 PSI) - One Piece</p>	<p>DP9FSF P920</p>  <p>90° Elbow SAE Flange Code 62 (6000 PSI) - One Piece</p>	<p>DP1NPMF P921</p>  <p>Straight Connector NPTF Male 60° Cone - One Piece</p>	<p>DP1ORMF P922</p>  <p>Straight Connector ORFS Male Cone- One Piece</p>
<p>DP1ORFF P923</p>  <p>Straight Connector ORFS Female Cone - One Piece</p>	<p>DP4ORFF P924</p>  <p>45° Elbow ORFS Female Cone - One Piece</p>	<p>DP9ORFF P925</p>  <p>90° Elbow ORFS Female Cone - One Piece</p>	



DP1JCMF

Straight Connector JIC Male 74° Cone – One Piece

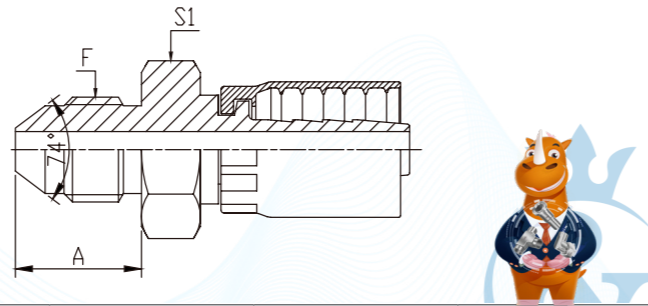
D	P	1	JC	M	F
Company	Product Range	Fitting Structure	Thread Types	Connection Type	Hose Fitting Type
DME	Hose Fitting	Straight	JIC UNF	Male	One Piece

German Technology Equipment

EASY-FIT EASY-FLEX

No-Skiving

- DME&JDE Code: **DP1JCMF**
- Product Type: **Hose Fitting**
- Hose Fitting Type: **One Piece**
- Thread Type: **UNF 74° Cone**
- Structure: **Straight**
- Connection Type: **Male**



PART NUMBER	F (Thread)	Ø	A	S1
#	UNF	Inch	mm	mm
DP1JCMF-0404	7/16"-20	6.00	51.00	14.28
DP1JCMF-0505	1/2"-20	8.00	57.00	15.00
DP1JCMF-0606	9/16"-18	10.00	60.00	17.00
DP1JCMF-0808	3/4"-16	12.00	68.00	22.00
DP1JCMF-1010	7/8"-14	16.00	77.00	24.00
DP1JCMF-1212	1-1/16"-12	20.00	81.00	30.00
DP1JCMF-1616	1-5/16"-12	25.00	92.00	36.00
DP1JCMF-2020	1-5/8"-12	32.00	101.00	46.00
DP1JCMF-2424	1-7/8"-12	40.00	119.00	50.00
DP1JCMF-3232	2-1/2"-12	50.00	127.00	60.00

DP1JCFF

Straight Connector JIC Female 74° Cone – One Piece

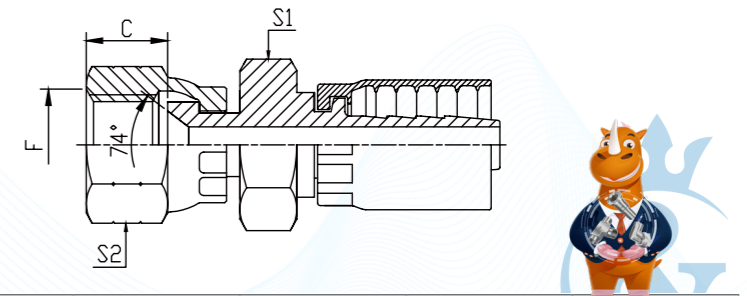
D	P	1	JC	F	F
Company	Product Range	Fitting Structure	Thread Types	Connection Type	Hose Fitting Type
DME	Hose Fitting	Straight	JIC UNF	Female	One Piece

German Technology Equipment

EASY-FIT EASY-FLEX

No-Skiving

- DME&JDE Code: **DP1JCFF**
- Product Type: **Hose Fitting**
- Hose Fitting Type: **One Piece**
- Thread Type: **UNF 74° Cone**
- Structure: **Straight**
- Connection Type: **Female**



PART NUMBER	F (Thread)	Ø	C	S1	S2
#	UNF	Inch	mm	mm	mm
DP1JCFF-0404	7/16"-20	6.00	9.00	14.00	15.00
DP1JCFF-0505	1/2"-20	8.00	9.50	15.00	17.00
DP1JCFF-0606	9/16"-18	10.00	10.50	17.00	19.00
DP1JCFF-0808	3/4"-16	12.00	11.00	22.00	24.00
DP1JCFF-1010	7/8"-14	16.00	13.00	24.00	27.00
DP1JCFF-1212	1-1/16"-12	20.00	15.00	30.00	32.00
DP1JCFF-1414	1-3/16"-12	22.00	15.00	32.00	36.00
DP1JCFF-1616	1-5/16"-12	25.00	16.00	36.00	41.00
DP1JCFF-2020	1-5/8"-12	32.00	17.00	46.00	50.00
DP1JCFF-2424	1-7/8"-12	40.00	20.00	50.00	55.00
DP1JCFF-3232	2-1/2"-12	50.00	23.50	65.00	75.00



DP4JCFF

45° Elbow JIC Female 74° – One Piece

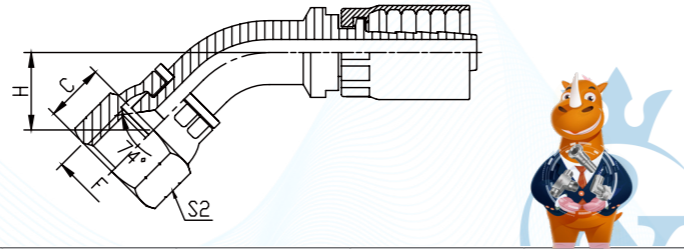
D	P	4	JC	F	F
Company	Product Range	Fitting Structure	Thread Types	Connection Type	Hose Fitting Type
DME	Hose Fitting	45° Elbow	JIC UNF	Female	One Piece

German Technology Equipment

EASY-FIT EASY-FLEX

No-Skiving

- DME&JDE Code: **DP4JCFF**
- Product Type: **Hose Fitting**
- Hose Fitting Type: **One Piece**
- Thread Type: **JIC UNF 74° Cone**
- Structure: **45° Elbow**
- Connection Type: **Female**



PART NUMBER	F (Thread)	Ø	C	H	S2
#	UNF	Inch	mm	mm	mm
DP4JCFF-0404	7/16"-20	6.00	9.00	18.10	15
DP4JCFF-0505	1/2"-20	8.00	9.50	19.30	17
DP4JCFF-0606	9/16"-18	10.00	10.50	20.00	19
DP4JCFF-0808	3/4"-16	12.00	11.00	23.50	24
DP4JCFF-1010	7/8"-14	16.00	13.00	25.30	27
DP4JCFF-1212	1-1/16"-12	20.00	15.00	30.00	32
DP4JCFF-1616	1-5/16"-12	25.00	16.00	31.50	41
DP4JCFF-2020	1-5/8"-12	32.00	17.00	36.60	50
DP4JCFF-2424	1-7/8"-12	40.00	20.00	41.60	55
DP4JCFF-3232	2-1/2"-12	50.00	23.50	49.50	75



DP9JCFF

90° Elbow JIC Female 74° Cone – One Piece

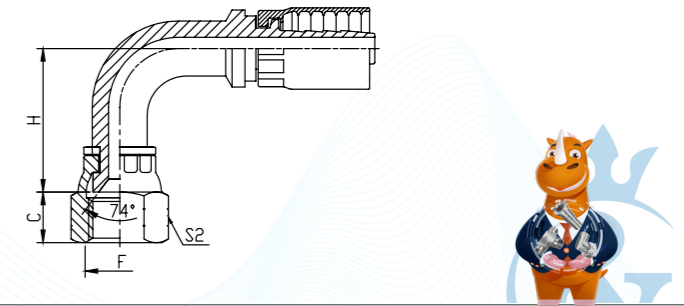
D	P	9	JC	F	F
Company	Product Range	Fitting Structure	Thread Types	Connection Type	Hose Fitting Type
DME	Hose Fitting	90° Elbow	JIC UNF	Female	One Piece

German Technology Equipment

EASY-FIT EASY-FLEX

No-Skiving

- DME&JDE Code: **DP9JCFF**
- Product Type: **Hose Fitting**
- Hose Fitting Type: **One Piece**
- Thread Type: **JIC UNF 74° Cone**
- Structure: **90° Elbow**
- Connection Type: **Female**



PART NUMBER	F (Thread)	Ø	C	H	S2
#	UNF	Inch	mm	mm	mm
DP9JCFF-0404	7/16"-20	6.00	9.00	33.50	15
DP9JCFF-0505	1/2"-20	8.00	9.50	37.00	17
DP9JCFF-0606	9/16"-18	10.00	10.50	39.30	19
DP9JCFF-0808	3/4"-16	12.00	11.00	47.00	24
DP9JCFF-1010	7/8"-14	16.00	13.00	52.50	27
DP9JCFF-1212	1-1/16"-12	20.00	15.00	63.50	32
DP9JCFF-1616	1-5/16"-12	25.00	16.00	70.00	41
DP9JCFF-2020	1-5/8"-12	32.00	17.00	82.50	50
DP9JCFF-2424	1-7/8"-12	40.00	20.00	97.50	55
DP9JCFF-3232	2-1/2"-12	50.00	23.50	118.80	75



DP1FLF

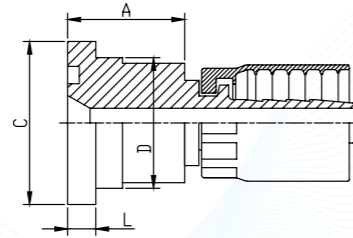
Straight Connector SAE Flange Code 61 (3000 PSI) – One Piece

D	P	1	FL	F
Company	Product Range	Fitting Structure	Connection Type	Hose Fitting Type
DME	Hose Fitting	Straight	SAE Flange Code 61 (3000 PSI)	One Piece

German Technology Equipment

No-Skiving

- DME&JDE Code: **DP1FLF**
- Product Type: **Hose Fitting**
- Hose Fitting Type: **One Piece**
- Structure: **Straight**
- Connection Type: **Flange Code 61**



PART NUMBER	Flange	Ø	A	C	D	L
#	Size	Inch	mm	mm	mm	mm
DP1FLF-0808	1/2"	12.00	46.00	30.20	24.00	6.00
DP1FLF-1212	3/4"	20.00	48.00	38.10	32.00	6.00
DP1FLF-1616	1"	25.00	52.00	44.40	38.00	8.00
DP1FLF-2020	1-1/4"	32.00	58.00	50.80	43.00	8.00
DP1FLF-2424	1-1/2"	40.00	68.00	60.30	50.00	8.00
DP1FLF-3232	2"	50.00	70.00	71.40	62.00	9.53



DP4FLF

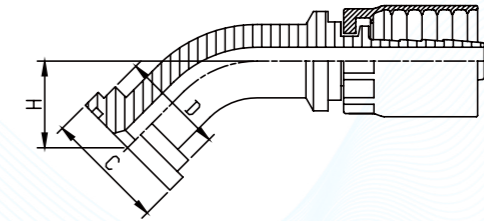
45° Elbow SAE Flange Code 61 (3000 PSI) – One Piece

D	P	4	FL	F
Company	Product Range	Fitting Structure	Connection Type	Hose Fitting Type
DME	Hose Fitting	45° Elbow	SAE Flange Code 61 (3000 PSI)	One Piece

German Technology Equipment

No-Skiving

- DME&JDE Code: **DP4FLF**
- Product Type: **Hose Fitting**
- Hose Fitting Type: **One Piece**
- Structure: **Straight**
- Connection Type: **Flange Code 61**



PART NUMBER	Flange	Ø	C	D	H
#	Size	Inch	mm	mm	mm
DP4FLF-0808	1/2"	12.00	30.20	24.00	23.00
DP4FLF-1212	3/4"	20.00	38.10	32.00	28.00
DP4FLF-1616	1"	25.00	44.40	38.00	29.00
DP4FLF-2020	1-1/4"	32.00	50.80	43.00	33.00
DP4FLF-2424	1-1/2"	40.00	60.30	50.00	39.00
DP4FLF-3232	2"	50.00	71.40	62.00	46.00



DP9FLF

90° Elbow SAE Flange Code 61 (3000PSI) – One Piece

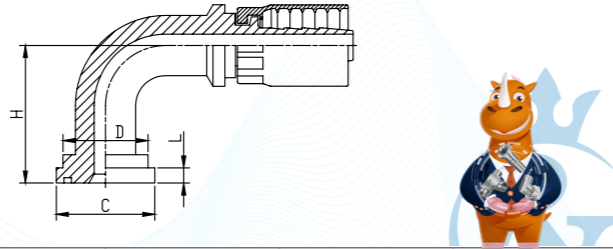
D	P	9	FL	F
Company	Product Range	Fitting Structure	Connection Type	Hose Fitting Type
DME	Hose Fitting	90° Elbow	SAE Flange Code 61 (3000 PSI)	One Piece

German Technology Equipment

EASY-FIT EASY-FLEX

No-Skiving

- DME&JDE Code: DP9FLF
- Product Type: Hose Fitting
- Hose Fitting Type: One Piece
- Structure: 90° Elbow
- Connection Type: Flange Code 61



PART NUMBER	Flange	Ø	C	D	H
#	Size	Inch	mm	mm	mm
DP9FLF-0808	1/2"	12.00	30.20	24.00	47.00
DP9FLF-1212	3/4"	20.00	38.10	32.00	62.00
DP9FLF-1616	1"	25.00	44.40	38.00	67.00
DP9FLF-2020	1-1/4"	32.00	50.80	43.00	78.00
DP9FLF-2424	1-1/2"	40.00	60.30	50.00	94.00
DP9FLF-3232	2"	50.00	71.40	60.00	114.00

DP1FSF

Straight Connector SAE Flange Code 62 (6000 PSI) – One Piece

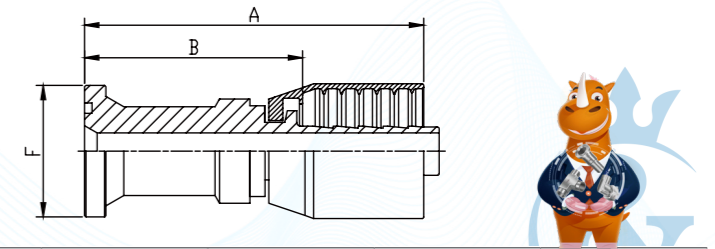
D	P	1	FS	F
Company	Product Range	Fitting Structure	Connection Type	Hose Fitting Type
DME	Hose Fitting	Straight	SAE Flange Code 62 (6000 PSI)	One Piece

German Technology Equipment

EASY-FIT EASY-FLEX

No-Skiving

- DME&JDE Code: DP1FSF
- Product Type: Hose Fitting
- Hose Fitting Type: One Piece
- Structure: Straight
- Connection Type: Flange Code 62



PART NUMBER	FLANGE	Ø	A	B	F
#	SIZE	Inch	mm	mm	mm
DP1FSF-1212	3/4"	20.00	104.60	68.00	1-5/8"
DP1FSF-1612	1"	25.00	78.70	42.20	1-7/8"
DP1FSF-1616	1"	25.00	122.20	81.00	1-7/8"
DP1FSF-2016	1-1/4"	32.00	91.70	50.50	2-1/8"
DP1FSF-2020	1-1/4"	32.00	127.30	84.30	2-1/8"



DP4FSF

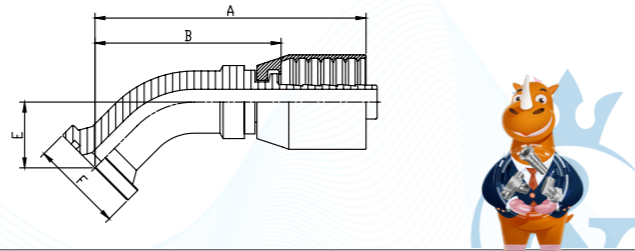
45° Elbow SAE Flange Code 62 (6000 PSI) – One Piece

D	P	4	FS	F
Company	Product Range	Fitting Structure	Connection Type	Hose Fitting Type
DME	Hose Fitting	45° Elbow	SAE Flange Code 62 (6000 PSI)	One Piece

German Technology Equipment

No-Skiving

- DME&JDE Code: DP4FSF
- Product Type: Hose Fitting
- Hose Fitting Type: One Piece
- Structure: 45° Elbow
- Connection Type: Flange Code 62



PART NUMBER	FLANGE	Ø	A	B	E	F
#	SIZE	Inch	mm	mm	mm	mm
DP4FSF-1212	3/4"	3/4"	97.00	60.50	25.90	1-5/8"
DP4FSF-1616	1"	1"	118.40	77.20	32.00	1-7/8"
DP4FSF-2016	1 1/4"	1"	16.10	74.90	26.90	2-1/8"

DP9FSF

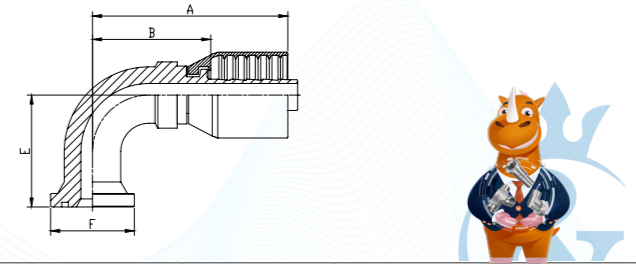
90° Elbow SAE Flange Code 62 (6000 PSI) – One Piece

D	P	9	FS	F
Company	Product Range	Fitting Structure	Connection Type	Hose Fitting Type
DME	Hose Fitting	90° Elbow	SAE Flange Code 62 (6000 PSI)	One Piece

German Technology Equipment

No-Skiving

- DME&JDE Code: DP9FSF
- Product Type: Hose Fitting
- Hose Fitting Type: One Piece
- Structure: 90° Elbow
- Connection Type: Flange Code 62



PART NUMBER	FLANGE	Ø	A	B	E	F
#	SIZE	Inch	mm	mm	mm	mm
DP9FSF-1212	3/4"	3/4"	89.20	52.60	57.90	1-5/8"
DP9FSF-1612	1"	3/4"	88.60	52.10	57.90	1-7/8"
DP9FSF-1616	1"	1"	108.70	67.60	70.10	1-7/8"
DP9FSF-2016	1 1/4"	1"	108.70	67.60	70.10	2-1/8"
DP9FSF-2020	1 1/4"	1 1/4"	129.30	86.40	90.00	2-1/8"



DP1NPMF

Straight Connector NPTF Male 60° Cone – One Piece

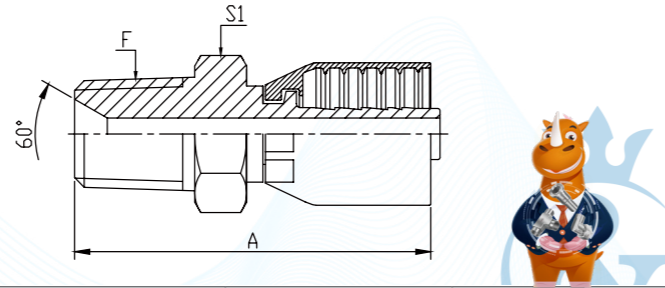
D	P	1	NP	M	F
Company	Product Range	Fitting Structure	Thread Types	Connection Type	Hose Fitting Type
DME	Hose Fitting	Straight	NPTF	Male	One Piece

German Technology Equipment

EASY-FIT EASY-FLEX

No-Skiving

- DME&JDE Code: **DP1NPMF**
- Product Type: **Hose Fitting**
- Hose Fitting Type: **One Piece**
- Thread Type: **NPTF 60° Cone**
- Structure: **Straight**
- Connection Type: **Male**



PART NUMBER	F (Thread)	Ø	A	S1
#	NPTF	Inch	mm	mm
DP1NPMF-0204	1/8"-27	6.00	46.00	9/16"
DP1NPMF-0404	1/4"-18	6.00	51.00	9/16"
DP1NPMF-0405	1/4"-18	8.00	49.00	11/16"
DP1NPMF-0406	1/4"-18	10.00	58.00	3/4"
DP1NPMF-0604	3/8"-18	6.00	47.00	11/16"
DP1NPMF-0605	3/8"-18	8.00	49.00	11/16"
DP1NPMF-0606	3/8"-18	10.00	60.00	3/4"
DP1NPMF-0608	3/8"-18	12.00	66.00	7/8"
DP1NPMF-0610	3/8"-18	16.00	66.00	15/16"
DP1NPMF-0804	1/2"-14	6.00	54.00	7/8"
DP1NPMF-0806	1/2"-14	10.00	61.00	7/8"
DP1NPMF-0808	1/2"-14	12.00	72.00	7/8"
DP1NPMF-0810	1/2"-14	16.00	77.00	15/16"
DP1NPMF-0812	1/2"-14	20.00	77.00	1-1/16"
DP1NPMF-1208	3/4"-14	12.00	68.00	1-1/16"
DP1NPMF-1210	3/4"-14	16.00	73.00	1-1/16"
DP1NPMF-1212	3/4"-14	20.00	78.00	1-1/16"
DP1NPMF-1216	3/4"-14	25.00	86.00	1-3/8"
DP1NPMF-1612	1"-11	20.00	78.00	1-3/8"
DP1NPMF-1616	1"-11	25.00	66.00	1-3/8"
DP1NPMF-2020	1-1/4"-11	32.00	104.00	1-3/4"
DP1NPMF-2424	1-1/2"-11	40.00	89.00	2"
DP1NPMF-3232	2"-11	50.00	103.00	2-1/2"

DP10RMF

Straight Connector ORFS Male Cone – One Piece

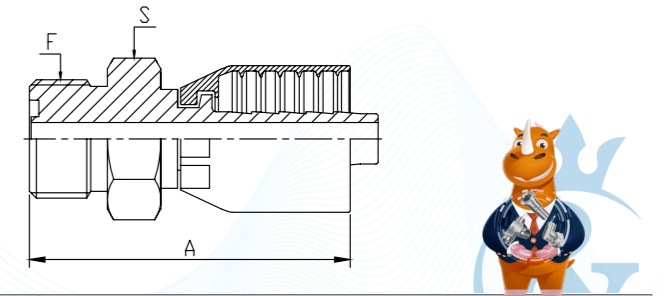
D	P	1	OR	M	F
Company	Product Range	Fitting Structure	Thread Types	Connection Type	Hose Fitting Type
DME	Hose Fitting	Straight	ORFS	Male	One Piece

German Technology Equipment

EASY-FIT EASY-FLEX

No-Skiving

- DME&JDE Code: **DP10RMF**
- Product Type: **Hose Fitting**
- Hose Fitting Type: **One Piece**
- Thread Type: **UNF**
- Structure: **Straight**
- Connection Type: **Male**



PART NUMBER	F (Thread)	Ø	A	S
#	UNF	Inch	mm	mm
DP10RMF-0404	9/16"-18	1/4"	44	5/8"
DP10RMF-0606	11/16"-16	3/8"	53	3/4"
DP10RMF-0806	13/16"-16	3/8"	56	7/8"
DP10RMF-0808	13/16"-16	1/2"	61	7/8"
DP10RMF-1008	1"-14	1/2"	66	1-1/16"
DP10RMF-1010	1"-14	5/8"	69	1-1/16"
DP10RMF-1210	1-3/16"-12	5/8"	73	1-1/4"
DP10RMF-1212	1-3/16"-12	3/4"	74	1-1/4"
DP10RMF-1612	1-7/16"-12	3/4"	74	1-1/2"
DP10RMF-1616	1-7/16"-12	1"	84	1-1/2"
DP10RMF-2020	1-11/16"-12	1-1/4"	84	1-3/4"



DP1ORFF

Straight Connector ORFS Female Cone – One Piece

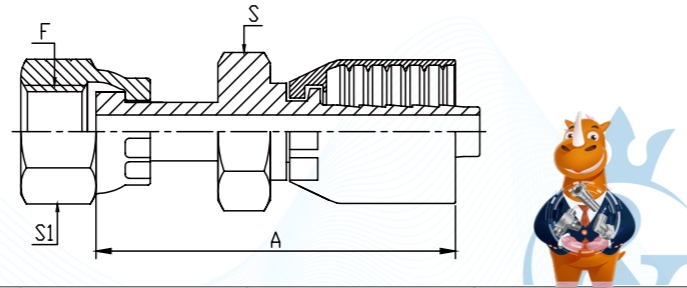
D	P	1	OR	F	F
Company	Product Range	Fitting Structure	Thread Types	Connection Type	Hose Fitting Type
DME	Hose Fitting	Straight	ORFS	Female	One Piece

German Technology Equipment

EASY-FIT EASY-FLEX

No-Skiving

- DME&JDE Code: **DP1ORFF**
- Product Type: **Hose Fitting**
- Hose Fitting Type: **One Piece**
- Thread Type: **UNF**
- Structure: **Straight**
- Connection Type: **Female**



PART NUMBER	F (Thread)	Ø	A	S
#	UNF	Inch	mm	mm
DP1ORFF-0404	9/16"-18	1/4"	53	11/16"
DP1ORFF-0406	9/16"-18	3/8"	56	11/16"
DP1ORFF-0604	11/16"-16	1/4"	54	13/16"
DP1ORFF-0606	11/16"-16	3/8"	58	13/16"
DP1ORFF-0608	11/16"-16	1/2"	64	13/16"
DP1ORFF-0806	13/16"-16	3/8"	64	15/16"
DP1ORFF-0808	13/16"-16	1/2"	67	15/16"
DP1ORFF-0810	13/16"-16	5/8"	72	15/16"
DP1ORFF-1008	1"-14	1/2"	73	1-1/8"
DP1ORFF-1010	1"-14	5/8"	78	1-1/8"
DP1ORFF-1012	1"-14	3/4"	78	1-1/8"
DP1ORFF-1210	1-3/16"-12	5/8"	81	1-3/8"
DP1ORFF-1212	1-3/16"-12	3/4"	84	1-3/8"
DP1ORFF-1612	1-7/16"-12	3/4"	86	1-5/8"
DP1ORFF-1616	1-7/16"-12	1"	92	1-5/8"
DP1ORFF-2016	1-11/16"-12	1"	92	1-7/8"
DP1ORFF-2020	1-11/16"-12	1 1/4"	96	1-7/8"
DP1ORFF-2424	2"-12	1 1/2"	99	2-1/4"

DP4ORFF

45° Elbow ORFS Female Cone – One Piece

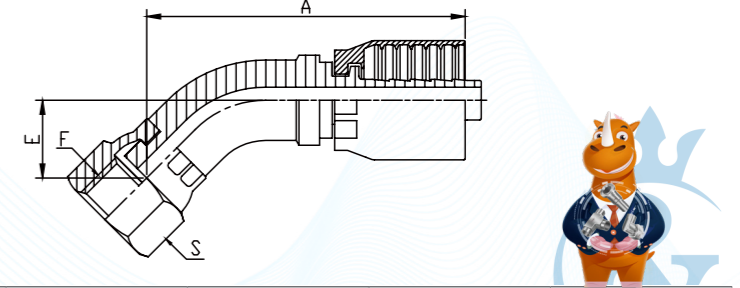
D	P	4	OR	F	F
Company	Product Range	Fitting Structure	Thread Types	Connection Type	Hose Fitting Type
DME	Hose Fitting	45° Elbow	ORFS	Female	One Piece

German Technology Equipment

EASY-FIT EASY-FLEX

No-Skiving

- DME&JDE Code: **DP4ORFF**
- Product Type: **Hose Fitting**
- Hose Fitting Type: **One Piece**
- Thread Type: **UNF**
- Structure: **45° Elbow**
- Connection Type: **Female**



PART NUMBER	F (Thread)	Ø	A	E	S
#	UNF	Inch	mm	mm	mm
DP4ORFF-0404	9/16"-18	1/4"	50	10	11/16"
DP4ORFF-0406	9/16"-18	3/8"	57	10	11/16"
DP4ORFF-0604	11/16"-16	1/4"	53	11	13/16"
DP4ORFF-0605	11/16"-16	5/16"	60	11	13/16"
DP4ORFF-0606	11/16"-16	3/8"	59	11	13/16"
DP4ORFF-0608	11/16"-16	1/2"	68	11	13/16"
DP4ORFF-0806	13/16"-16	3/8"	64	15	15/16"
DP4ORFF-0808	13/16"-16	1/2"	72	15	15/16"
DP4ORFF-0810	13/16"-16	5/8"	78	15	15/16"
DP4ORFF-1008	1"-14	1/2"	74	16	1-1/8"
DP4ORFF-1010	1"-14	5/8"	81	16	1-1/8"
DP4ORFF-1012	1"-14	3/4"	85	16	1-1/8"
DP4ORFF-1210	1-3/16"-12	5/8"	92	21	1-3/8"
DP4ORFF-1212	1-3/16"-12	3/4"	92	21	1-3/8"
DP4ORFF-1612	1-7/16"-12	3/4"	102	24	1-5/8"
DP4ORFF-1616	1-7/16"-12	1"	111	24	1-5/8"
DP4ORFF-2016	1-11/16"-12	1"	115	25	1-7/8"
DP4ORFF-2020	1-11/16"-12	1 1/4"	121	25	1-7/8"
DP4ORFF-2424	2"-12	1 1/2"	119	27	2-1/4"

DP9ORFF

90° Elbow ORFS Female Cone – One Piece

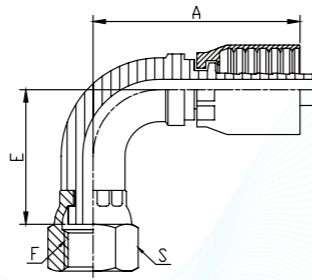
D	P	9	OR	F	F
Company	Product Range	Fitting Structure	Thread Types	Connection Type	Hose Fitting Type
DME	Hose Fitting	90° Elbow	ORFS	Female	One Piece

German Technology Equipment

**EASY-FIT
EASY-FLEX**

No-Skiving

- DPME&JDE Code: **DP9ORFF**
- Product Type: **Hose Fitting**
- Hose Fitting Type: **One Piece**
- Thread Type: **UNF**
- Structure: **90° Elbow**
- Connection Type: **Female**



PART NUMBER	F (Thread)	Ø	A	E	S
#	UNF	Inch	mm	mm	mm
DP9ORFF-0404	9/16"-18	1/4"	45	21	11/16"
DP9ORFF-0406	9/16"-18	3/8"	52	21	11/16"
DP9ORFF-0604	11/16"-16	1/4"	49	23	13/16"
DP9ORFF-0605	11/16"-16	5/16"	57	23	13/16"
DP9ORFF-0606	11/16"-16	3/8"	56	23	13/16"
DP9ORFF-0608	11/16"-16	1/2"	64	23	13/16"
DP9ORFF-0806	13/16"-16	3/8"	58	29	15/16"
DP9ORFF-0808	13/16"-16	1/2"	66	29	15/16"
DP9ORFF-0810	13/16"-16	5/8"	71	29	15/16"
DP9ORFF-1008	1"-14	1/2"	70	32	1-1/8"
DP9ORFF-1010	1"-14	5/8"	75	32	1-1/8"
DP9ORFF-1012	1"-14	3/4"	78	32	1-1/8"
DP9ORFF-1210	1-3/16"-12	5/8"	89	48	1-3/8"
DP9ORFF-1212	1-3/16"-12	3/4"	78	48	1-3/8"
DP9ORFF-1612	1-7/16"-12	3/4"	103	56	1-5/8"
DP9ORFF-1616	1-7/16"-12	1"	109	56	1-5/8"
DP9ORFF-2016	1-11/16"-12	1"	118	65	1-7/8"
DP9ORFF-2020	1-11/16"-12	1-1/4"	124	64	1-7/8"
DP9ORFF-2424	2"-12	1-1/2"	140	68	2-1/4"

Hose Fitting

One Piece

«

DME&JDE GROUP
YOUR CONNECTORS & HOSES OEM SOLUTIONS



Web: <https://www.dmejde.com>
E-mail: info@dmejde.com



Certificate:

IMAGE & VIDEO GALLERY

Corporate & Workshop

With years of experience, DME&JDE have developed and is continuously developing. Step into the Corporate and workshop, and know more about DME&JDE spirit, culture and strength.



Office Building



Flexible Hoses Workshop



Fluid Connector Workshop



Raw Material Area



Waste Area



Working Principles



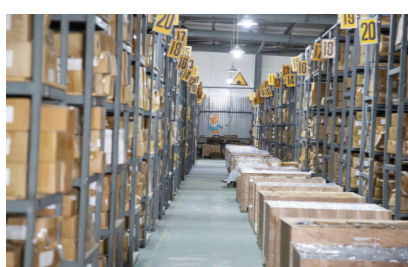
Quality Control Center



Ready-to-Package Area



Warehouse



Warehouse



Meeting



Team Discussing

Production Line

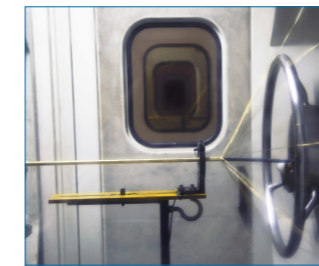
Advanced equipment, strict working principle guarantee the flexible hoses, fluid connector and hose assembly accurate dimensions and comply and even exceed international standard.



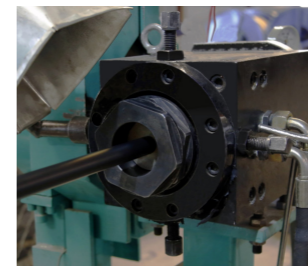
Inner Tube Production



Steel Wire Preparation



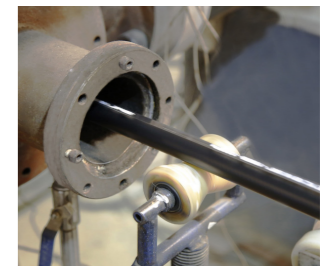
Reinforcement Layer Production



Outer Cover Production



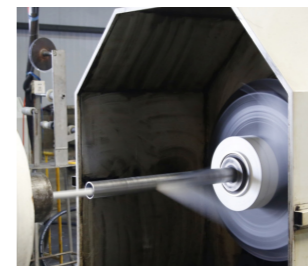
Wrapping



Labeling



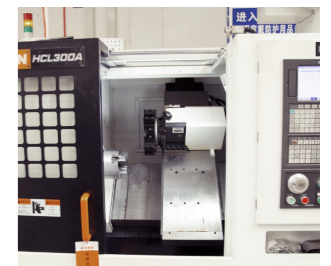
Packaging



Fiber Reinforcement Wrapping



CNC Workshop



CNC Machine



Worker Operating



Fluid Connector Producing



Semi-Products



Laser Marking



O ring installation



Manual Assembling




Machine Assembling



Package

Quality Control

Strict quality control system guarantee our products are qualified and even exceed industrial standard to reduce defective rate, reduce downtime and enhance equipment performance.




Sulfuring Testing



Tensile Testing



Mooney Viscosity Testing



Impulse Testing



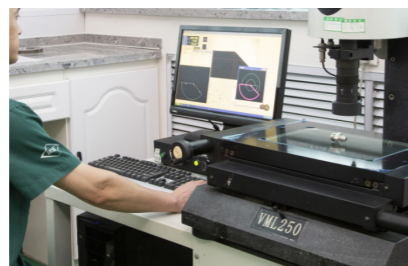
Ozone Resistance Testing



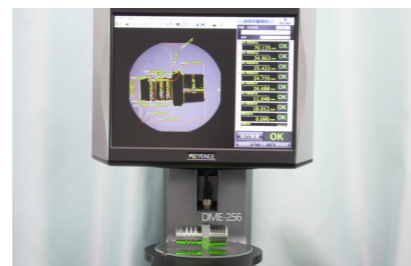
Salt Spray Testing



Trilinear Coordinates Test



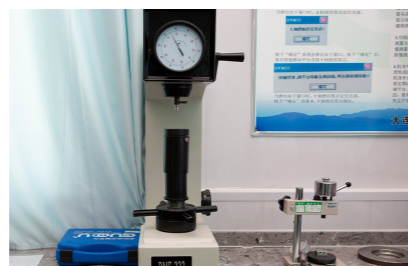
Coordinate Projection Test



Automatic Image Inspection



Roughness Test



Hardness Test



Spectrometer Material Testing

Package & Warehouse

Perfect standard package guarantee the perfect condition of products. Flexible custom package make more possibilities to suit different distributors and customers requirements and eliminate worries.



Roll Package



Carton Package



Pallet Package - Fluid Connector



Pallet Package - Flexible Hoses



Reel Package - Hydraulic Hose



Carton Package - Fluid Connector

BECOME A DISTRIBUTOR

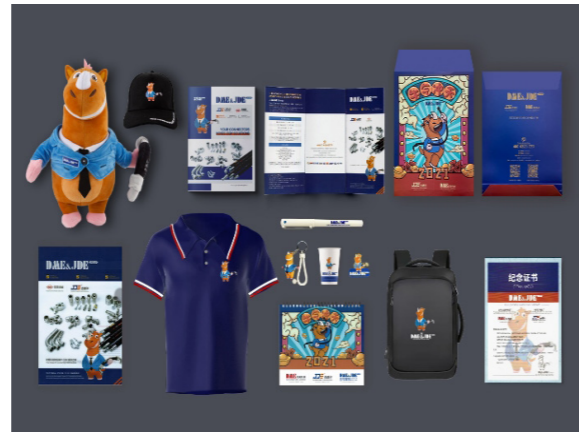
DME&JDE has the ability to develop a global footprint because we have extensive manufacturing capacities, large and smart stock warehouse and rich and enough technical support.

Browse what we can supply for our distributors...



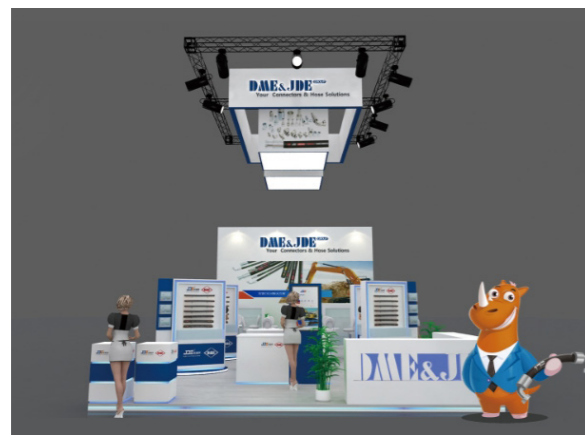
National exclusive agency

Distributor owns the exclusive agency of our DME brand hose connectors, JDE brand flexible hoses and DME&JDE OEM solutions.



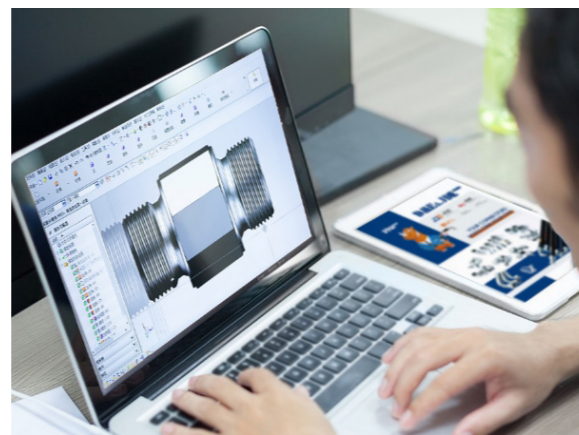
Material Support

We will provide free materials, including brochure, manual, advertising specialty and clothing, demonstrating enterprise value and expanding market easily.



Unified VI Support

DME&JDE has a complete set of distributor advertisement, new product posters and other unified VI designs to let your publicity more professional.



Technical Support

DME&JDE will continuously develop new products according to your market demanding to help you catch your seize market opportunities and exploit potential market

DME&JDE not only supply supplies qualified products, but also provides marketing, customer care, total publicity planning, competitive price and professional technical support.



Customer Support

DME&JDE adopts multiple promotion channel, including enterprise website promotion, Alibaba, Facebook, LinkedIn and Tik Tok, as well as exhibition. All customer resources will be allocated to the distributors of the corresponding region, helping distributors to expand the source



Exhibition Support

DME&JDE will attend professional exhibitions including international, regional exhibitions, distributors can stand for enterprise to chat with exhibition customers. Several local exhibition, we can supply material supply for distributors.



Price & Payment Support

Distributor price helps distributors make more profits and owns absolute advantage at local market



Other Support

Distributors information including location, E-mail and phones will be displayed on our enterprise website, brochures and exhibitions.