



Telephone:  
**+86-318-2321110**

Mobile: +86-19133858816 (WhatsApp & WeChat)

E-Mail: [Info@dmejde.com](mailto:Info@dmejde.com)

Web: [www.jidier.com](http://www.jidier.com)(Local Market)     [www.dmejde.com](http://www.dmejde.com)(Global Market)

DME&JDE Group Headquarters:  
1705, Special Business Zone, 211 Youhao Road, Zhongshan District, Dalian, Liaoning, China.

DME&JDE Hydraulic fluid connector production base:  
DME INDUSTRIES CO., LTD  
Qiaodong Village, Paotai Town, Puwan New District, Dalian, Liaoning, China.

DME&JDE Hydraulic fluid hose production base:  
HENGSUI JIDIERSPECIAL RUBBER HOSE CO., LTD.  
Qian Me Tou Economic Industrial Zone, Hengshui, Hebei, China.

DME&JDE Hydraulic fluid assembly production base:  
DME&JDE FLUID CO., LTD.  
Qian Me Tou Economic Industrial Zone, Hengshui, Hebei, China.

DME&JDE FLUID CO.,LTD:  
A-1008 huizhong Plaza Business, Hengshui City,  
Hebei Province, China.



Global Market



Wechat Public Account

## CERTIFICATE



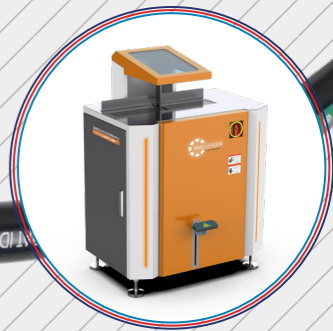
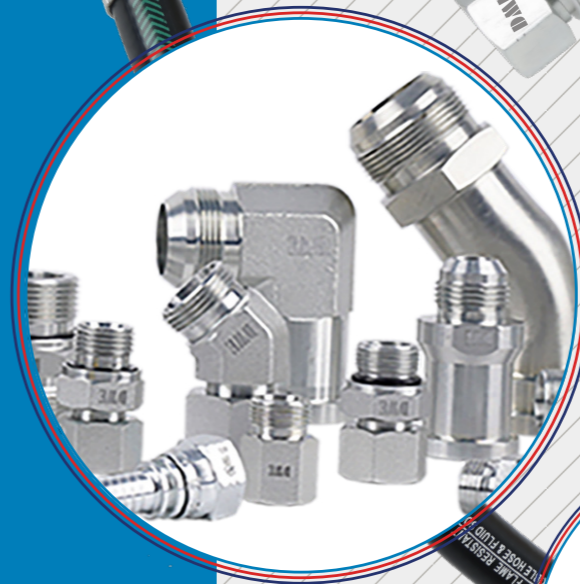
# DME&JDE FLEXIBLE HOSES CATALOGUE 2024



HYDRAULIC FLEXIBLE HOSE

HYDRAULIC CONNECTORS

HYDRAULIC SYSTEM SOLUTION





# CONTENTS



**DME & JDE** GROUP  
YOUR CONNECTORS & HOSES OEM SOLUTIONS

01

Corporate.....01  
Honor&Certificate.....04  
Global Business.....05  
Product Selection.....07  
Code System.....11  
Applications.....14  
MS System .....17

02

**Hydraulic/Fluid Hoses**  
Standard Hoses.....19  
OEM&Custom Hoses.....105

03

Image & Video Gallery.....219  
Become A distributor.....223





# MAKE FLUID TRANSMISSION EFFICIENT

DME&JDE is committed to design, manufacture and support fluid transmission solutions. We insist on application-orientation to solve all problems during transmission. Advanced Production technology, wide ranges of flexible hoses, fluid connectors and rich export and projects experience guarantee our capacity to design right OEM fluid solutions for all transmission difficulty.

DME&JDE continuously expands our product ranges and value-added service and improve technologies and equipment to supply products outperform industry standards and exceed customers' demanding expectations.



## Hydraulic Hose & Connector Stocks



# 60,000,000

More than 60,000,000 worth of inventory of fluid connectors support massive storage system

# 200 Million

## Annual Sales

More than 200,000,000 annual sales evidence corporate strength and establish higher goals

## Professional Engineers



# 20

Professional and senior engineers solve all technical technological difficulties and customers problems

## Exclusive Distributor

# 100+



More than 100 exclusive distributors (including those under negotiation) cover all global markets

## Industry Covering

# 200+



More than 200 kinds of customers cover main host manufacture and maintenance industries

## Hoses Monthly Output

# 1,000,000

Up to 1,000,000 flexible hoses monthly output satisfy large orders and guarantee timely delivery



# Headquarters



**FLUID CONNECTORS & SOLUTIONS**  
Powered by DME&JDE Group

**Fluid Connection Division**  
DME INDUSTRIES CO., LTD  
Dalian, China

DME was established in 1993. Fluid connectors are manufactured by standard automation equipment and in accordance to SAE, ISO, BSI and DIN standards and fittings are of JIC, BSP, ORFS and Bite type.

DME is the main supplier of main vendors in Europe and America.

**Fluid Connection**



**FLEXIBLE HOSE & FLUID SOLUTIONS**  
Powered by DME&JDE Group

**Fluid Hose Division**  
HENGSUHI JIDIER SPECIAL RUBBER HOSE CO., LTD.  
Hengshui, China

JDE, founded in 2009, is dedicated to hydraulic hoses, industrial hoses and other industrial hoses manufacturing.

JDE adopts German, American and Italian advanced equipment, all products line exceed I SAE J517, DIN/EN853, EN854, EN857, ISO, GB and other industries requirements.

**Fluid Hose**



**YOUR FLUID OEM SOLUTIONS**  
Powered by DME&JDE Group

**Fluid OEM Solution Division**  
DME&JDE FLUID CO., LTD.  
Hengshui, China

DME&JDE FLUID CO., LTD. is established in 2021. We aims to design hydraulic fluid solutions, provide long-lasting and stable motivation for all industries and guarantee our dealers and end users far away from hydraulic transport accidents, unplanned shutdown and other issues.

**Fluid OEM Solution**

# HONOR & CERTIFICATE

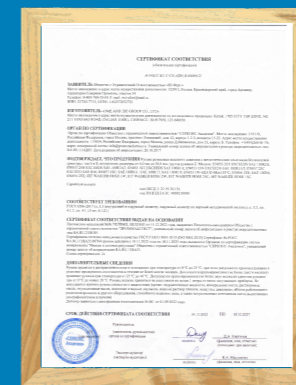


**ISO ISO 9001**  
Fluid Connector

**ISO ISO 9001**  
Flexible Hose

**ISO ISO 14001**

**ISO ISO 14001**



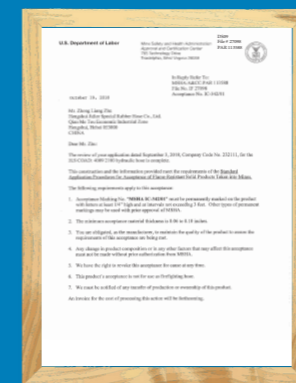
**GOST Certificate**



**BV Certificate**



**IATF Certificate**



**MSHA Certificate**



**MA Certificate**





# GLOBAL BUSINESS

## DME&JDE Worldwide (Ranked by A-Z)

Bolivia | Brazil | Canada | Chile | China | Costa Rica | Dubai | Ecuador | France | Ghana | Hungary | Indonesia | Ireland | Israel | Italy | Japan | Mongolia | Myanmar | Peru | Poland | Romania | Russia | Serbia | Seychelles | South Africa | South Korea | Spain | Turkey | United Kingdom | United States | Vietnam





## PRODUCT SELECTION

DME&JDE aims to supply full line of flexible hoses, connectors and hose assemblies to cover all fluid power applications. We are innovating and developing to supply more products fit for industrial trends and customers needs.

## Explore DME&JDE Innovations



New-Standard



High Impulse & Pressure



Ultra Soft & Flexible



Constant Working Pressure



-50 °C / +155 °C



For Mining Drilling



No-Skiving





**SHIELD-FLEX** 

**Exceed International Standard**

Full line of "SHIELD-FLEX" series products exceed standard in hydrostatic pressure, impulse life, ozone resistance and abrasion resistance.

**The Most Economical Product Line**

"SHIELD-FLEX" hydraulic hoses give you same and even better performance and spend you less costs.

**BV Certificated**

There's no reclaimed rubber and polluted material during SHIELD-FLEX hoses production and it has gained BV certification.

**EXACT-FLEX** 

**Super High Impulse**

Improved inner rubber material make the impulse life can reach 1,000,000 cycles under 125 °C temperature.

**Super High Pressure**

4 and 6 layer of spiral wire reinforcement hoses can withstand up to 42 MPa hydrostatic pressure.

**Super Custom**

Super 4SP and Super 4SH products are specially designed for harsh conditions and extreme environments.

**DEFT-FLEX** 

**More Lighter**

Thinner reinforcement wires supplies lighter and tighter structure without comprising to pressure and impulse life.

**More Soft**

Smaller bend radius make the DEFT-FLEX series products more soft and popular for customers.

**For Tight Space**

Increased flexibility make products be used in tight space for extended life and efficient transfer.

**MATRIX-FLEX** 

**Fast Selection**

Remove complex selection process, just select the maximum working pressure and hose size, you can get the needed flexible hoses.

**Constant Working Pressure**

Constant working pressure can improve safety, provide better performance and durability and increase design efficiency and reduce costs.

**High-end host factory selection**

Reliable and smart choice for high-end host factories to provide dependable performance and improve production efficiency under high pressure conditions.



**KONIG-FLEX** 

**Ultra High Temp**

The safety working temperature of KONIG-FLEX series products can be up to 210 °C (intermittent 230°C)

**Ultra Low Temp**

The safety working temperature of KONIG-FLEX series products can be low to -50 °C (intermittent -55 °C)

**For Cleaning & Washing**

This series of hoses can adapt to high temperature washing and low temperature cleaning works.

**SROCK-FLEX** 

**MSHA&MA Certificated**

Full line of SROCK-FLEX series hoses gained MSHA and MA certification, which are authorized to be used in mine and coal mine industry.

**Speciallay for Mining Drilling**

This SROCK-FLEX series hoses is specially designed for mine and coal mine working during harsh environments and high pressure conditions.

**High Impulse & Pressure**

Up to 500,000 Cycles impulse life and 70 MPa hydrostatic pressure make it extraordinary than standard hoses at the markets.

**EASY-FLEX** 

**One-Piece Fitting**

DME one-piece hose fittings execute high-end ISO 18752 host factory standards, exceed traditional SAE, BS EN, DIN and ISO standard.

**No-Skiving Hoses**

Easy-flex hoses adopts specially designed "Easy-Type"covering, making the hose assemblies free from skiving.

**Special Crimping**

Using Fast-crimping technology to eliminate complicated skiving process and directly crimping to increase 30% crimping efficiency.





**CODE SYSTEM** (UPDATED ON 2022.10.17)

Brand		Series		Standard		Cover	Color	Marking/Layline	Reinforcement	I.D. mm				
Series Code	Description	Standard Code	Description	Description	Cover Code	Description	Color Code	Description	Marking/Layline	Description	Reinforcement Code	Description	I.D. (mm)	Description
JDE	Shield-Series	1	China Standard 602/902	GB/T 3683 GB/T 10544	1	Wrapped	1	Black	1	Printing	01	EN853 1SN SAE R1AT EN1360 1W SAE J30 R2 Type 3 etc.	05	3/16"
EXA	Exact-Series	2	European Standard DIN EN	DIN EN853 DIN EN854 DIN EN856 DIN EN857	2	Smooth	2	Blue	2	Embossed	02	EN853 2SN SAE R2AT EN1360 2F SAE J30 R2 Type 2 etc.	06	1/4"
DEF	Deft-Series	3	USA Standard SAEJ517	SAEJ517 R1AT/ R1A SAEJ517 R2AT/ R2A SAEJ517 R3 SAEJ517 R4 SAEJ517 R5 SAEJ517 R6 SAEJ517 R7 SAEJ517 R8 SAEJ517 R9 SAEJ517 R10	SAEJ517 R12 SAEJ517 R13 SAEJ517 R14 SAEJ517 R15 SAEJ517 R16 SAEJ517 R17 SAEJ517 R19 PTFE (Polytetrafluorethylene) SAE J2064 SAE J3062	3	Textile	3	Ink	03	3 layers SAE R3 Oil Hose 2TB	11	13/32"	
EAS	Easy-Series	4	European Fuel Hose Standard	EN1360 EN 1762	4	UHMPE	4	Red	4	OEM	04	EN856 4SP SAE R4	12	1/2"
KON	Konig-Series	5	OEM Hoses Standard	OEM	5	OEM	5	Green	5		05	SAE R5	16	5/8"
SRO	Srock-Series	6	National Standard OEM Products	GB-OEM	6		6	Gray	6		06	SAE R6 SAE J30 R6 SAE J20 R3 Oil Hose 1TB	19	3/4"
DME	Fluid Connector	7	Industrial Hoses	BS 5342 Type-2 EXCEEDS IS 10655 STEAM HOSE 1TB/2TB/1SW/2SW LPG EN 1762 LPG IS 9573 CNG Hose EXCEEDS SAE J1402 SAE J20 SAE J20 R3 SAE J2065 ISO/TS 16949	7		7	White	7		07	SAE R7	22	7/8"
JDME	Hose Assemblies	8	Other Hoses - High Pressure Power Steering Hose - Hydraulic Brake Hose - A/C Hose	SAE J188 ASTM D380 ASTM D413 SAE J1401 SAE J1703/ ISO 4929 SAE J1705	ASTM 8117 ISO 4926 SAE J2064 SAE J3062 SAE J30 QC/T664	8		8			08	SAE R8	25	1"
		9	Original Equipment Standard	ISO18752	9						09	SAE R9AT	28.5	1-1/8"
											11	EN853 1ST	32	1-1/4"
											12	EN853 2ST SAE R12	38	1-1/2"
											13	SAE R13	45.5	1-13/16"
											14	EN856 4SH SAE R14	51	2"
											15	SAE R15	64	2-1/2"
											16	SAE R16	72	3"
											17	SAE R17		
											21	EN857 1SC		
											22	EN857 2SC		
											61	EN857 1SC+		
											62	EN857 2SC+		
											66	SAE R6CT+		
											91	SAE R1A		
											92	SAE R2A		
											99	SAE R9A		

EN Hose Working Pressure (unit: PSI)

Specification	Hose Style	Description	Nominal Hose Inside Diameter In Inches and Dash Size													
			3/16" (-3)	1/4" (-4)	5/16" (-5)	3/8" (-6)	1/2" (-8)	5/8" (-10)	3/4" (-12)	1" (-16)	1-1/4" (-20)	1-1/2" (-24)	2" (-32)			
EN853	1ST	1 wire braid standard cover	3625	3262.5	3117.5	2610	2320	1885	1522.5	1276	913.5	725	580			
EN 853	1SN	1wre braid thin cover	3625	3262.5	3117.5	2610	2320	1885	1522.5	1276	913.5	725	580			
EN 853	2ST	2 wire braid standard cover	6017.5	5800	5075	4785	3987.5	3625	3117.5	2392.5	1812.5	1305	1160			
EN853	2SN	2 wire braid thin cover	6017.5	5800	5075	4785	3987.5	3625	3117.5	2392.5	1812.5	1305	1160			
EN 854	1TE	1 layer of textile braid	507.5	406	406	406	406	348	304.5	174						
EN 854	2TE	2 layers of textile braid	1160	1087.5	986	913.5	841	725	652.5	580						
EN 856	4SP	4 layers of steel wire spiral				6452.5	6017.5	5075	5075	4060	6045	2682.5	2392.5			
EN 856	4SH	4 layers of steel wire spiral							6090	5510	4712.5	4205	3625			
EN857	1SC	1 layer of steel wire braid		3262.5	3117.5	2610	2320	1885	1522.5	1276						
EN 857	2SC	2 layers of steel wire braid		5800	5075	4785	3987.5	3625	3117.5	2392.5						

SAE Hose Working Pressure (unit: PSI)

Specification	Hose Style	Description	Nominal Hose Inside Diameter In Inches and Dash Size															
			3/16" (-3)	1/4" (-4)	5/16" (-5)	3/8" (-6)	1/2" (-8)	5/8" (-10)	3/4" (-12)	1" (-16)	1-1/4" (-20)	1-1/2" (-24)	2" (-32)	2-1/2" (-40)	3" (-48)	4" (-64)		
SAE J517	R1AT	1 layer of braided steel wire	3625	3262.5	3117.5	2610	2320	1885	1522.5	1276	913.5	725	580					
SAE J517	R1A	1 layer of braided steel wire	3625	3262.5	3117.5	2610	2320	1885	1522.5	1276	913.5	725	580					
SAE J517	R2AT	2 layer of braided steel wire	6017.5	5800	5075	4785	3987.5	3625	3117.5	2392.5	1812.5	1305	1160					
SAE J517	R2A	2 layer of braided steel wire	6017.5	5800	5075	4785	3987.5	3625	3117.5	2392.5	1812.5	1305	1160					
SAE J517	R3	2 layers of textile braid	1522.5	1261.5	1218	1131	1015	884.5	754	565.5								
SAE J517	R4	2 layers of textile braid + 1 layer of special spiral braid							304.5	246.5	203	152.25	101.5	58	58	58		
SAE J517	R5	1 layer of steel wire braid		3045	3045	2276.5	2030	1769	1522.5	812	623.5	507.5	348					
SAE J517	R6	1 layer of textile braid	507.5	406	406	406	406	348	304.5	174								
SAE J517	R6CT	1 layer of textile braid	290	290	290	290	290	290	290	174								
SAE J517	R9	4 layers of steel wire spiral				4002	4002	4002	4002	4002	3001.5	2494	2494					
SAE J517	R12	4 layers of steel wire spiral				4002	4002	4002	4002	4002	3001.5	2494	2494					
SAE J517	R13	4 layers of high tensile steel wire spiral up to size 1", 6 layers of spiral from size 1-1/4" to 2"							5075	5075	5075	5075	5075					
SAE J517	R15	4 layers of high tensile steel wire spiral up to size 1", 6 layers of spiral from size 1-1/4" to 2"				6090	6090		6090	6090	6090	6090	6090					
SAE J517	R16	2 layers of steel wire braid		5800	5075	4785	3987.5	3625	3117.5	2392.5	1812.5							
SAE J517	R17	1 layer of high tensile steel wire braid up to size 1/2", 2 layers of high tensile steel wire braid from size 5/8" onwards	3045	3045	3045	3045	3045	3045	3045	3045								
SAE J517	R19	2 layers of steel wire braid		4060	4060	4060	4060	4060	4060	4060								

# APPLICATION

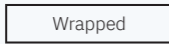

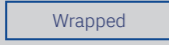

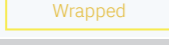



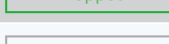
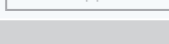

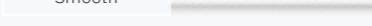
- Engineering Equipment
- Mining Equipment
- Agricultural Equipment
- Automation Equipment
- Port Handling Equipment
- Petroleum Equipment
- Highway Construction Equipment
- Marine Equipment
- Coal Mine Equipment
- Building Equipment
- Cleaning Equipment
- Fuel Gasoline Diesel Oil Equipment
- Forestry Equipment
- Machine Tool Equipment
- Steam
- Water
- Hot Water
- Jack Special Application
- LPG
- CNG
- Aerial Lift
- Aerial Lift
- Aerial Lift
- Aerial Lift
- Aerial Lift





## APPEARANCE, MARKING AND PACKING

### Hose Color

Color	Hoses	
Black	Wrapped 	Smooth 
Blue	Wrapped 	SAE 100 R5CX 
Yellow	Wrapped 	
Red	Wrapped 	Smooth 
Orange	Wrapped 	
Green	Wrapped 	
Metallic	Wrapped 	
Gray		Smooth 
White		Smooth 

### Cover Type

W Wrapped
  S Smooth

### Marking/Layline

P Printing
  I Ink
  E Embossed







### Packing

R Roll
  PA Pallet
  R Reel
  CA Carton
  W Wooden Case
  O OEM



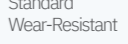
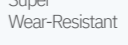
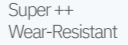
### Certificate









### Certificate

AMBIENT TEMPERATURE	SYSTEM	SYSTEM WITH LOGO
-55 °C to +100 °C	Konig-Flex / Srock-Flex	 
-40 °C to +100 °C	Shield-Flex	
-40 °C to +120 °C	Konig-Flex	
-40 °C to +155 °C	Konig-Flex	
-40 °C to +210 °C	Konig-Flex	

### Abrasion Resistance

Standard	Abrasion Data (g)	CONTRASRING
Wear-Resistance: ISO 6954	0.5	
Standard Wear-Resistant 	0.1	
Super Wear-Resistant	0.03	
Super ++ Wear-Resistant	0.00	


### Ozone Resistance (h)

Standard	Ozone Resistance (h)	CONTRASRING
Wear-Resistant: ISO 7326	72	
Standard JDE Hose	500	
Exact-Flex System 	2,500	
Super Exact-Flex System 	4,000	

### Burst Pressure

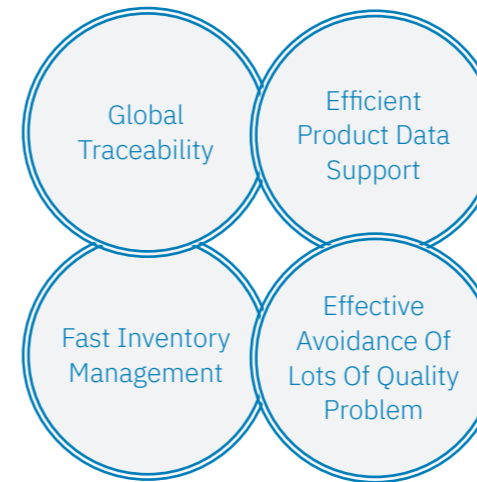
Standard	Burst Pressure
ISO 1402	ISO data
JDE Standard MSHA	10% – 30% > ISO data

### Impulse Times

Standard	Impulse Times
JDE Standard MSHA 	SAE R1: 150,000 Times SAE R2: 200,000 Times SAE R12/R13/R15: 500,000 Times EN 853 1SN: 150,000 Times EN 853 2SN: 200,000 Times EN 857 1SC: 150,000 Times EN857 2SC: 200,000 Times EN856 4SP/4SH: 400,000 Times
Super Impulse Hose 	SAE R12/R13/R15: 1,000,000 Times EN 856 4SP/4SH: 1,000,000 Times Working Temperature: +125 °C

## MS SYSTEM

Each products of DME&JDE uniquely encoded tracking label to supply strong data support, products traceability and order transparency. And it can effectively reducing equipment downtime and avoid of quality problems.



### DME&JDE Product Quality Control Traceability System Services for Global Customers



**DME&JDE Product Quality**  
Control Traceability & ERP System / Services for Global Customers





**DME & JDE** GROUP  
YOUR CONNECTORS & HOSES OEM SOLUTIONS

**Your Hoses OEM Solutions**

**Your Connectors OEM Solutions**



- Hydraulic Hose
- Hydraulic Connectors
- Hydraulic Hose Assembly
- Hydraulic Hose Crimper





# ISO 18752



## Application



## MatrixFlex 3K

### Applicable Specs:

- ISO 18752 1AC/2AC/4CC



## MatrixFlex 4K

### Applicable Specs:

- ISO 18752 1AC/2AC/4CC



## MatrixFlex 5K

### Applicable Specs:

- ISO 18752 2AC/4CC/6CC



## MatrixFlex 6K

### Applicable Specs:

- ISO 18752 2AC/4CC/6CC



# MatrixFlex 3K Constant Working Pressure Hose

Applicable Specs:  
 ■ ISO 18752 1AC/2AC/4CC

Applications:



**German Technology Equipment**

Product Series:

Constant Working Pressure

**Internal hose:**  
Synthetic rubber, extruded whole without joints, of uniform thickness

**Reinforcement:**  
1 & 2 layer of high strength steel wire braid or 4 layers of steel wire spiral.

**Covering:**  
Anti-abrasive synthetic rubber, resistant to oils, fuels and atmospheric conditions

**Fittings:**  
According to the following table. • Certificate: MSHA & BV & GOST & IATF 16949 & ISO 9001 & ISO 14001 & ISO 45001 & DAKKS & SGS & MA & DEKRA Approved

**Working Pressure:**  
3000 PSI / 210 Bar

**Impulse times:**

- Type AC – Impulse pressure 133%, Temperature 100 °C ≥ 200,000 Times;
- Type CC – Impulse pressure 133% (4K), Temperature 120 °C ≥ 500,000 Times

**Temperature:**

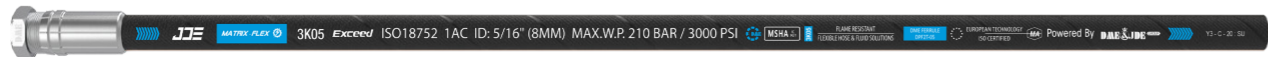
- -40 °C to +120 °C (intermittent 121 °C)
- -40 °C to +70 °C for water based fluids
- 0 °C to +70 °C hot air
- Prolonged operation at extreme temperatures will reduce hoses life

**Media**

- Suitable for liquids (HL, HLP, HLPD, HVLP) in mineral oil and synthetic oil MatrixFlex-rices, water based emulsifiers (HFAE, HFAS, HFB) and water glycol solvents (HFC), as well as lubricants for vegetable oil and minerals.
- Not suitable for chlorinated carbon hydride MatrixFlex-rix and phosphate ester liquids (HFD-R/S/T). (Usually, biodegradable liquid substances can also be used with this product, but there are some limitations due to the special addition MatrixFlex-erials of the liquid manufacturer.)

#	Hose Size		I.D.	R.O.D.	O.D.	Operating Pressure	Burst Pressure	Bend Radius	Weight	ISO 18752	Ferrule			
Part Number	Dash Size	mm	inch	mm	mm	bar	psi	mm	kgs/m	Type	DME Code			
MatrixFlex-3K-06	-04	6.4	1/4"	6.1-6.9	11.1	12.8	210	3000	840	12000	45	0.19	1AC	DPF2T-04
MatrixFlex-3K-08	-05	8.0	5/16"	7.7-8.5	12.9	14.4	210	3000	840	12000	50	0.22	1AC	DPF2T-05
MatrixFlex-3K-10	-06	9.5	3/8"	9.3-10.1	14.4	16.7	210	3000	840	12000	55	0.26	1AC	DPF2T-06
MatrixFlex-3K-12	-08	12.7	1/2"	12.3-13.5	18.2	20.6	210	3000	840	12000	90	0.39	1AC	DPF2T-08
MatrixFlex-3K-16	-10	16.0	5/8"	15.5-16.7	23.0	25.2	210	3000	840	12000	100	0.64	2AC	DPF2T-10
MatrixFlex-3K-19	-12	19.0	3/4"	18.6-19.8	25.5	29.0	210	3000	840	12000	120	0.79	2AC	DPF4T-12
MatrixFlex-3K-25	-16	25.4	1"	25.0-26.4	33.0	36.8	210	3000	840	12000	150	1.25	2AC	DPF4T-16
MatrixFlex-3K-32	-20	31.8	1-1/4"	31.4-33.0	42.5±0.3	45.5±0.3	210	3000	840	12000	460	3.06	4CC	DPF4T-20
MatrixFlex-3K-38	-24	38.1	1-1/2"	37.7-39.3	49.2±0.3	53.2±0.3	210	3000	840	12000	560	3.75	4CC	DPF4T-24
MatrixFlex-3K-51	-32	50.8	2"	50.4-52.0	62.3±0.3	66.3±0.3	210	3000	840	12000	700	4.95	4CC	DPF4T-32

Marking / Layline (Printing, Ink, Embossed)



**Cover Type:**  
Wrapped, Smooth

**Packing Type:**  
Roll, Pallet, Reel

**Outward Appearance:**  
● Black

Certificate: ISO 9001, ISO 14001, ISO 45001, MSHA, DAKKS, DEKRA, PC, SGS, DIN, SAE, MA, WSF

# MatrixFlex 4K Constant Working Pressure Hose

Applicable Specs:  
 ■ ISO 18752 1AC/2AC/4CC

Applications:



**German Technology Equipment**

Product Series:

Constant Working Pressure

**Internal hose:**  
Synthetic rubber, extruded whole without joints, of uniform thickness

**Reinforcement:**  
2 layers of high strength steel wire braid or 4 or 6 layers of steel wire spiral.

**Covering:**  
Anti-abrasive synthetic rubber, resistant to oils, fuels and atmospheric conditions

**Fittings:**  
According to the following table. • Certificate: MSHA & BV & GOST & IATF 16949 & ISO 9001 & ISO 14001 & ISO 45001 & DAKKS & SGS & MA & DEKRA Approved

**Working Pressure:**  
4000 PSI / 280 Bar

**Impulse times:**

- Type AC – Impulse pressure 133%, Temperature 100 °C ≥ 200,000 Times;
- Type CC – Impulse pressure 133% (4K), Temperature 120 °C ≥ 500,000 Times

**Temperature:**

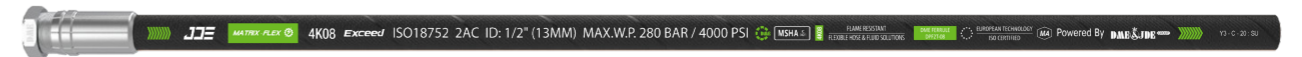
- -40 °C to +120 °C (intermittent 121 °C)
- -40 °C to +70 °C for water based fluids
- 0 °C to +70 °C hot air
- Prolonged operation at extreme temperatures will reduce hoses life

**Media**

- Suitable for liquids (HL, HLP, HLPD, HVLP) in mineral oil and synthetic oil MatrixFlex-rices, water based emulsifiers (HFAE, HFAS, HFB) and water glycol solvents (HFC), as well as lubricants for vegetable oil and minerals.
- Not suitable for chlorinated carbon hydride MatrixFlex-rix and phosphate ester liquids (HFD-R/S/T). (Usually, biodegradable liquid substances can also be used with this product, but there are some limitations due to the special addition MatrixFlex-erials of the liquid manufacturer.)

#	Hose Size		I.D.	R.O.D.	O.D.	Operating Pressure	Burst Pressure	Bend Radius	Weight	ISO 18752	Ferrule			
Part Number	Dash Size	mm	inch	mm	mm	mm	bar	psi	bar	psi	mm	kgs/m	Type	DME Code
MatrixFlex-4K-06	-04	6.4	1/4"	6.1-6.9	11.3	13.2	280	4000	1120	16000	75	0.29	2AC	DPF2T-04
MatrixFlex-4K-08	-05	8.0	5/16"	7.7-8.5	13.1	14.7	280	4000	1120	16000	85	0.33	2AC	DPF2T-05
MatrixFlex-4K-10	-06	9.5	3/8"	9.3-10.1	15.3	17.0	280	4000	1120	16000	90	0.42	2AC	DPF2T-06
MatrixFlex-4K-12	-08	12.7	1/2"	12.3-13.5	18.5	20.7	280	4000	1120	16000	130	0.55	2AC	DPF2T-08
MatrixFlex-4K-16	-10	16.0	5/8"	15.5-16.7	21.6	23.4	280	4000	1120	16000	150	0.65	2AC	DPF2T-10
MatrixFlex-4K-19	-12	19.0	3/4"	18.6-19.8	25.5	27.5	280	4000	1120	16000	180	0.79	2AC	DPF2T-12
MatrixFlex-4K-25	-16	25.4	1"	25.0-26.4	35.5	38.5	280	4000	1120	16000	340	2.05	4CC	DPF4T-16
MatrixFlex-4K-32	-20	31.8	1-1/4"	31.4-33.0	42.5	45.5	280	4000	1120	16000	460	2.75	4CC	DPF4T-20
MatrixFlex-4K-38	-24	38.1	1-1/2"	37.7-39.3	49.2	53.2	280	4000	1120	16000	560	3.75	4CC	DPF4T-24
MatrixFlex-4K-51	-32	50.8	2"	50.4-52.0	62.3	66.3	280	4000	1120	16000	700	4.95	4CC	DPF4T-32

Marking / Layline (Printing, Ink, Embossed)



**Cover Type:**  
Wrapped, Smooth

**Packing Type:**  
Roll, Pallet, Reel

**Outward Appearance:**  
● Black

Certificate: ISO 9001, ISO 14001, ISO 45001, MSHA, DAKKS, DEKRA, PC, SGS, DIN, SAE, MA, WSF



# MatrixFlex 5K Constant Working Pressure Hose

Applicable Specs:  
 ■ ISO 18752 2AC/4CC/6CC

Applications:



German Technology Equipment

Product Series:

Constant Working Pressure

- Internal hose:** Synthetic rubber, extruded whole without joints, of uniform thickness
- Reinforcement:** 2 layers of high strength steel wire braid or 4 or 6 layers of steel wire spiral.
- Covering:** Anti-abrasive synthetic rubber, resistant to oils, fuels and atmospheric conditions
- Fittings:** According to the following table. • Certificate: MSHA & BV & GOST & IATF 16949 & ISO 9001 & ISO 14001 & ISO 45001 & DAKKS & SGS & MA & DEKRA Approved



- Working Pressure:** 5000 PSI / 350 Bar
- Impulse times:**
  - Type AC – Impulse pressure 133%, Temperature 100 °C ≥ 200,000 Times;
  - Type CC – Impulse pressure 133% (4K), Temperature 120 °C ≥ 500,000 Times
- Temperature:**
  - -40 °C to +120 °C (intermittent 121 °C)
  - -40 °C to +70 °C for water based fluids
  - 0 °C to +70 °C hot air
  - *Prolonged operation at extreme temperatures will reduce hoses life*
- Media**
  - Suitable for liquids (HL, HLP, HLPD, HVLP) in mineral oil and synthetic oil MatrixFlex-rices, water based emulsifiers (HFAE, HFAS, HFB) and water glycol solvents (HFC), as well as lubricants for vegetable oil and minerals.
  - Not suitable for chlorinated carbon hydride MatrixFlex-rix and phosphate ester liquids (HFD-R/S/T). (Usually, biodegradable liquid substances can also be used with this product, but there are some limitations due to the special addition MatrixFlex-erials of the liquid manufacturer.)

#	ISO 18752		ISO 18752		ISO 18752		ISO 18752		ISO 18752		ISO 18752		ISO 18752	Ferrule
Part Number	Hose Size		I.D.	R.O.D.	O.D.	Operating Pressure		Burst Pressure	Bend Radius	Weight	ISO 18752	Ferrule	ISO 18752	Ferrule
I.D.	Dash Size	mm	inch	mm	mm	bar	psi	bar	psi	mm	kgs/m	Type	ISO 18752	DME Code
MatrixFlex-5K-06	-04	6.4	1/4"	6.1-6.9	11.3	13.2	350	5000	1400	20000	75	0.29	2AC	DPF2T-04
MatrixFlex-5K-08	-05	8.0	5/16"	7.7-8.5	13.1	14.7	350	5000	1400	20000	85	0.33	2AC	DPF2T-05
MatrixFlex-5K-10	-06	9.5	3/8"	9.3-10.1	15.3	17.0	350	5000	1400	20000	90	0.42	2AC	DPF2T-06
MatrixFlex-5K-12	-08	12.7	1/2"	12.3-13.5	18.5	20.7	350	5000	1400	20000	130	0.55	2AC	DPF2T-08
MatrixFlex-5K-16	-10	16.0	5/8"	15.5-16.7	23.8	26.8	350	5000	1400	20000	250	0.98	4CC	DPF2T-10
MatrixFlex-5K-19	-12	19.0	3/4"	18.6-19.8	28.1	31.1	350	5000	1400	20000	300	1.45	4CC	DPF13-12
MatrixFlex-5K-25	-16	25.4	1"	25.0-26.4	35.5	38.5	350	5000	1400	20000	340	2.20	4CC	DPFR13-16
MatrixFlex-5K-32	-20	31.8	1-1/4"	31.4-33.0	47.2	50.8	350	5000	1400	20000	420	3.06	4CC	DPFR13-20
MatrixFlex-5K-38	-24	38.1	1-1/2"	37.7-39.3	54.1	57.5	350	5000	1400	20000	560	3.65	6CC	DPFR13-24
MatrixFlex-5K-51	-32	50.8	2"	50.4-52.0	67.4	71.4	350	5000	1400	20000	640	4.85	6CC	DPFR13-32

**Marking / Layline (Printing, Ink, Embossed)**

**Cover Type:** Wrapped, Smooth

**Packing Type:** Roll, Pallet, Reel

**Outward Appearance:** ● Black

**Certificate:**

# MatrixFlex 6K Constant Working Pressure Hose

Applicable Specs:  
 ■ ISO 18752 2AC/4CC/6CC

Applications:



German Technology Equipment

Product Series:

Constant Working Pressure

- Internal hose:** Synthetic rubber, extruded whole without joints, of uniform thickness
- Reinforcement:** 2 layers of high strength steel wire braid or 4 or 6 layers of steel wire spiral.
- Covering:** Anti-abrasive synthetic rubber, resistant to oils, fuels and atmospheric conditions
- Fittings:** According to the following table. • Certificate: MSHA & BV & GOST & IATF 16949 & ISO 9001 & ISO 14001 & ISO 45001 & DAKKS & SGS & MA & DEKRA Approved



- Working Pressure:** 6000 PSI / 420 Bar
- Impulse times:**
  - Type AC – Impulse pressure 133%, Temperature 100 °C ≥ 200,000 Times;
  - Type CC – Impulse pressure 133% (4K), Temperature 120 °C ≥ 500,000 Times
- Temperature:**
  - -40 °C to +120 °C (intermittent 121 °C)
  - -40 °C to +70 °C for water based fluids
  - 0 °C to +70 °C hot air
  - *Prolonged operation at extreme temperatures will reduce hoses life*
- Media**
  - Suitable for liquids (HL, HLP, HLPD, HVLP) in mineral oil and synthetic oil MatrixFlex-rices, water based emulsifiers (HFAE, HFAS, HFB) and water glycol solvents (HFC), as well as lubricants for vegetable oil and minerals.
  - Not suitable for chlorinated carbon hydride MatrixFlex-rix and phosphate ester liquids (HFD-R/S/T). (Usually, biodegradable liquid substances can also be used with this product, but there are some limitations due to the special addition MatrixFlex-erials of the liquid manufacturer.)

#	ISO 18752		ISO 18752		ISO 18752		ISO 18752		ISO 18752		ISO 18752		ISO 18752	Ferrule
Part Number	Hose Size		I.D.	R.O.D.	O.D.	Operating Pressure		Burst Pressure	Bend Radius	Weight	ISO 18752	Ferrule	ISO 18752	Ferrule
I.D.	Dash Size	mm	inch	mm	mm	bar	psi	bar	psi	mm	kgs/m	Type	ISO 18752	DME Code
MatrixFlex-6K-06	-04	6.4	1/4"	6.1-6.9	11.3	13.2	420	6000	1680	24000	75	0.29	2AC	DPF2T-04
MatrixFlex-6K-08	-05	8.0	5/16"	7.7-8.5	13.1	14.7	420	6000	1680	24000	85	0.33	2AC	DPF2T-05
MatrixFlex-6K-10	-06	9.5	3/8"	9.3-10.1	18	21.5	420	6000	1680	24000	180	0.70	2AC	DPF2T-06
MatrixFlex-6K-12	-08	12.7	1/2"	12.3-13.5	20.5	23.5	420	6000	1680	24000	230	0.80	2AC	DPF2T-08
MatrixFlex-6K-16	-10	16.0	5/8"	15.5-16.7	23.8	26.8	420	6000	1680	24000	250	0.98	4CC	DPF2T-10
MatrixFlex-6K-19	-12	19.0	3/4"	18.6-19.8	28.1	31.1	420	6000	1680	24000	265	1.60	4CC	DPF13-12
MatrixFlex-6K-25	-16	25.4	1"	25.0-26.4	35.5	38.5	420	6000	1680	24000	330	2.25	4CC	DPFR13-16
MatrixFlex-6K-32	-20	31.8	1-1/4"	31.4-33.0	47.2	50.8	420	6000	1680	24000	445	3.95	6DC	DPFR13-20
MatrixFlex-6K-38	-24	38.1	1-1/2"	37.7-39.3	54.1	57.5	420	6000	1680	24000	530	5.25	6DC	DPFR13-24
MatrixFlex-6K-51	-32	50.8	2"	50.4-52.0	67.4	71.4	420	6000	1680	24000	640	6.95	6DC	DPFR13-32

**Marking / Layline (Printing, Ink, Embossed)**

**Cover Type:** Wrapped, Smooth

**Packing Type:** Roll, Pallet, Reel

**Outward Appearance:** ● Black

**Certificate:**



# BS EN 853



## Application



## 1SN



### Applicable Specs:

- DIN EN853 1SN
- EXCEEDS SAE 100R1AT
- ISO 1436:2009
- TS 6387 EN 853 1SN
- ISO 1307
- EN 1804-3
- ISO 6805
- EN 13463-1

## 1ST



### Applicable Specs:

- DIN EN 853 1ST
- EXCEEDS SAE 100R1A
- ISO 1436:2009
- TS 6387
- ISO 1307
- EN 1804-3
- ISO 6805
- EN 13463-1
- EN 853 1ST

## 2SN



### Applicable Specs:

- DIN EN 853 2SN
- EXCEEDS SAE 100R2AT
- ISO 1436:2009
- ISO 1307
- PN-EN ISO 8030 / PN-EN 13463
- PN-EN 1804-3+A1 / PN-EN ISO 4413
- ISO 6805 / EN 13463
- PN-G 32010

## 2ST



### Applicable Specs:

- DIN EN853 2ST
- EXCEEDS SAE 100R2A
- ISO 1436:2009
- ISO 1307
- PN-EN ISO 8030 / PN-EN 13463
- PN-EN 1804-3+A1 / PN-EN ISO 4413
- ISO 6805 / EN 13463
- PN-G 32010



# 1SN Wire Braided Hydraulic Hose

Applicable Specs:

- DIN EN853 1SN
- EXCEEDS SAE 100RIAT
- ISO 1436:2009
- TS 6387 EN 853 1SN
- ISO 1307
- EN 1804-3
- ISO 6805
- EN 13463-1

Applications:



German Technology Equipment

Product Series:



New-Standard

**Internal hose:**  
Synthetic rubber, extruded whole without joints, of uniform thickness

**Reinforcement:**  
1 layer of steel wire braid

**Covering:**  
Anti-abrasive synthetic rubber, resistant to oils, fuels and atmospheric conditions

**Fittings:**  
Ferrule: No-skive Type DPF2T •  
Insert: DPX1XX (X: Can choose) •  
Certificate: MSHA & BV & GOST & IATF 16949 & ISO 9001 & ISO 14001 & ISO 45001 & DAKKS & SGS & MA & DEKRA Approved



**Working Pressure:**  
40–250 Bar / 580–3625 PSI

**Impulse times:**  
≥ 150,000 times

**Temperature:**  
• -40 °C to +100 °C (intermittent 120 °C)  
• -40 °C to +70 °C for water based fluids  
• 0 °C to +70 °C hot air  
• Prolonged operation at extreme temperatures will reduce hoses life

**Media:**  
Mineral and biological oils, glycol-water based, water, lubricants

#	Hose Size		I.D.	R.O.D.	O.D.	Operating Pressure		Burst Pressure		Bend Radius	Weight	Length Per PCS	Ferrule	
Part Number	Dash Size	mm	inch	mm	mm	mm	bar	psi	bar	psi	mm	kgs/m	meter	DME Code
JDE 211101-05	-03	4.8	3/16"	4.6-5.4	9.0-10.0	12.5 MAX.	250	3625	1000	14500	90	0.240	50/100	DPF2T-03
JDE 211101-06	-04	6.4	1/4"	6.2-7.0	10.6-11.6	14.1 MAX.	225	3262.5	900	13050	100	0.255	50/100	DPF2T-04
JDE 211101-08	-05	8.0	5/16"	7.7-8.5	12.1-13.3	15.7 MAX.	215	3117.5	860	12470	115	0.304	50/100	DPF2T-05
JDE 211101-10	-06	9.5	3/8"	9.3-10.1	14.5-15.7	18.1 MAX.	180	2610	720	10440	130	0.390	50/100	DPF2T-06
JDE 211101-12	-08	12.7	1/2"	12.3-13.5	17.5-19.1	21.4 MAX.	160	2320	640	9280	180	0.472	50/100	DPF2T-08
JDE 211101-16	-10	16.0	5/8"	15.5-16.7	20.6-22.2	24.5 MAX.	130	1885	520	7540	200	0.581	50/100	DPF2T-10
JDE 211101-19	-12	19.0	3/4"	18.6-19.8	24.6-26.2	28.5 MAX.	105	1522.5	420	6090	240	0.690	50/100	DPF2T-12
JDE 211101-25	-16	25.4	1"	25.0-26.4	32.5-34.1	36.6 MAX.	88	1276	352	5104	300	0.830	50/100	DPF2T-16
JDE 211101-32	-20	31.8	1-1/4"	31.4-33.0	39.3-41.7	44.8 MAX.	63	913.5	252	3654	420	1.325	20/40	DPF2T-20
JDE 211101-38	-24	38.1	1-1/2"	37.7-39.3	45.6-48.0	52.1 MAX.	50	725	200	2900	500	1.500	20/40	DPF2T-24
JDE 211101-51	-32	50.8	2"	50.4-52.0	58.7-61.7	65.5 MAX.	40	580	160	2320	630	1.875	20/40	DPF2T-32

Marking / Layline (Printing, Ink, Embossed)



- Cover Type:** Wrapped
- Packing Type:** Roll, Pallet, Reel
- Outward Appearance:** ● Black



Powered by DME&JDE Group

# 1ST Wire Braided Hydraulic Hose

Applicable Specs:

- DIN EN 853 1ST
- EXCEEDS SAE 100RIA
- ISO 1436:2009
- TS 6387
- EN 853 1ST
- ISO 1307
- EN 1804-3
- ISO 6805
- EN 13463-1

Applications:



German Technology Equipment

Product Series:



New-Standard

**Internal hose:**  
Synthetic rubber, extruded whole without joints, of uniform thickness

**Reinforcement:**  
1 layer of steel wire braid

**Covering:**  
Anti-abrasive synthetic rubber, resistant to oils, fuels and atmospheric conditions

**Fittings:**  
Ferrule: No-skive Type DPF2T •  
Insert: DPX1XX (X: Can choose) •  
Certificate: MSHA & BV & GOST & IATF 16949 & ISO 9001 & ISO 14001 & ISO 45001 & DAKKS & SGS & MA & DEKRA Approved



**Working Pressure:**  
40–250 Bar / 580–3625 PSI

**Impulse times:**  
≥ 150,000 times

**Temperature:**  
• -40 °C to +100 °C (intermittent 120 °C)  
• -40 °C to +70 °C for water based fluids  
• 0 °C to +70 °C hot air  
• Prolonged operation at extreme temperatures will reduce hoses life

**Media:**  
Mineral and biological oils, glycol-water based, water, lubricants

#	Hose Size		I.D.	R.O.D.	O.D.	Operating Pressure		Burst Pressure		Bend Radius	Weight	Length Per PCS	Ferrule	
Part Number	Dash Size	mm	inch	mm	mm	mm	bar	psi	bar	psi	mm	kgs/m	meter	DME Code
JDE 211111-05	-03	4.8	3/16"	4.6-5.4	9.0-10.0	11.9-13.5	250	3625	1000	14500	90	0.264	50/100	DPF2T-03
JDE 211111-06	-04	6.4	1/4"	6.2-7.0	10.6-11.6	15.1-16.7	225	3262.5	900	13050	100	0.281	50/100	DPF2T-04
JDE 211111-08	-05	8.0	5/16"	7.7-8.5	12.1-13.3	16.7-18.3	215	3117.5	860	12470	115	0.334	50/100	DPF2T-05
JDE 211111-10	-06	9.5	3/8"	9.3-10.1	14.5-15.7	19.0-20.6	180	2610	720	10440	130	0.429	50/100	DPF2T-06
JDE 211111-12	-08	12.7	1/2"	12.3-13.5	17.5-19.1	22.2-23.8	160	2320	640	9280	180	0.519	50/100	DPF2T-08
JDE 211111-16	-10	16.0	5/8"	15.5-16.7	20.6-22.2	25.4-27.0	130	1885	520	7540	200	0.639	50/100	DPF2T-10
JDE 211111-19	-12	19.0	3/4"	18.6-19.8	24.6-26.2	29.4-31.0	105	1522.5	420	6090	240	0.759	50/100	DPF2T-12
JDE 211111-25	-16	25.4	1"	25.0-26.4	32.5-34.1	37.1-39.1	88	1276	352	5104	300	0.913	50/100	DPF2T-16
JDE 211111-32	-20	31.8	1-1/4"	31.4-33.0	39.3-41.7	44.4-47.6	63	913.5	252	3654	420	1.458	20/40	DPF2T-20
JDE 211111-38	-24	38.1	1-1/2"	37.7-39.3	45.6-48.0	50.8-54.0	50	725	200	2900	500	1.650	20/40	DPF2T-24
JDE 211111-51	-32	50.8	2"	50.4-52.0	58.7-61.7	65.1-68.3	40	580	160	2320	630	2.063	20/40	DPF2T-32

Marking / Layline (Printing, Ink, Embossed)



- Cover Type:** Wrapped
- Packing Type:** Roll, Pallet, Reel
- Outward Appearance:** ● Black



Powered by DME&JDE Group

## 2SN Wire Braided Hydraulic Hose

Applicable Specs:

- DIN EN 853 2SN ■ EXCEEDS SAE 100R2AT ■ ISO 1436:2009 ■ ISO 1307
- PN-EN ISO 8030 / PN-EN 13463 ■ PN-EN 1804-3-A1 / PN-EN ISO 4413 ■ ISO 6805 / EN 13463
- PN-G 32010

Applications:



German Technology Equipment

Product Series:



New-Standard

**Internal hose:**  
Synthetic rubber, extruded whole without joints, of uniform thickness

**Reinforcement:**  
2 layers of steel wire braid

**Covering:**  
Anti-abrasive synthetic rubber, resistant to oils, fuels and atmospheric conditions

**Fittings:**  
Ferrule: No-skive Type DPF2T •  
Insert: DPX2XX (X: Can choose) •  
Certificate: MSHA & BV & GOST & IATF 16949 & ISO 9001 & ISO 14001 & ISO 45001 & DAKKS & SGS & MA & DEKRA Approved

**Working Pressure:**  
80–415 Bar / 1160–6017 PSI

**Impulse times:**  
≥ 200,000 Times

**Temperature:**  
• -40 °C to +100 °C (intermittent 120 °C)  
• -40 °C to +70 °C for water based fluids  
• 0 °C to +70 °C hot air  
• Prolonged operation at extreme temperatures will reduce hoses life

**Media:**  
Mineral and biological oils, glycol-water based, water, lubricants

#	Hose Size		I.D.	R.O.D.	O.D.	Operating Pressure		Burst Pressure		Bend Radius	Weight	Length Per PCS	Ferrule	
Part Number	Dash Size	mm	inch	mm	mm	mm	bar	psi	bar	psi	mm	kgs/m	meter	DME Code
JDE 211102-05	-03	4.8	3/16"	4.6-5.4	9.0-10.0	14.1 MAX.	415	6017.5	1660	24070	90	0.340	50/100	DPF2T-03
JDE 211102-06	-04	6.4	1/4"	6.2-7.0	10.6-11.6	15.7 MAX.	400	5800	1600	23200	100	0.372	50/100	DPF2T-04
JDE 211102-08	-05	8.0	5/16"	7.7-8.5	12.1-13.3	17.3 MAX.	350	5075	1400	20300	115	0.430	50/100	DPF2T-05
JDE 211102-10	-06	9.5	3/8"	9.3-10.1	14.5-15.7	19.7 MAX.	330	4785	1320	19140	130	0.560	50/100	DPF2T-06
JDE 211102-12	-08	12.7	1/2"	12.3-13.5	17.5-19.1	23.0 MAX.	275	3987.5	1100	15950	180	0.640	50/100	DPF2T-08
JDE 211102-16	-10	16.0	5/8"	15.5-16.7	20.6-22.2	26.2 MAX.	250	3625	1000	14500	200	0.732	50/100	DPF2T-10
JDE 211102-19	-12	19.0	3/4"	18.6-19.8	24.6-26.2	30.1 MAX.	215	3117.5	860	12470	240	0.930	50/100	DPF2T-12
JDE 211102-25	-16	25.4	1"	25.0-26.4	32.5-34.1	38.9 MAX.	165	2392.5	660	9570	300	1.360	50/100	DPF2T-16
JDE 211102-32	-20	31.8	1-1/4"	31.4-33.0	39.3-41.7	49.5 MAX.	125	1812.5	500	7250	420	1.850	20/40	DPF2T-20
JDE 211102-38	-24	38.1	1-1/2"	37.7-39.3	45.6-48.0	55.9 MAX.	90	1305	360	5220	500	2.300	20/40	DPF2T-24
JDE 211102-51	-32	50.8	2"	50.4-52.0	58.7-61.7	68.6 MAX.	80	1160	320	4640	630	2.650	20/40	DPF2T-32

Marking / Layline (Printing, Ink, Embossed)



- Cover Type:** Wrapped
- Packing Type:** Roll, Pallet, Reel
- Outward Appearance:** ● Black



Powered by DME&JDE Group

## 2ST Wire Braided Hydraulic Hose

Applicable Specs:

- DIN EN853 2ST ■ EXCEEDS SAE 100R2A ■ ISO 1436:2009 ■ ISO 1307
- PN-EN ISO 8030 / PN-EN 13463 ■ PN-EN 1804-3-A1 / PN-EN ISO 4413 ■ ISO 6805 / EN 13463
- PN-G 32010

Applications:



German Technology Equipment

Product Series:



New-Standard

**Internal hose:**  
Synthetic rubber, extruded whole without joints, of uniform thickness

**Reinforcement:**  
2 layers of steel wire braid

**Covering:**  
Anti-abrasive synthetic rubber, resistant to oils, fuels and atmospheric conditions

**Fittings:**  
Ferrule: No-skive Type DPF2T •  
Insert: DPX2XX (X: Can choose) •  
Certificate: MSHA & BV & GOST & IATF 16949 & ISO 9001 & ISO 14001 & ISO 45001 & DAKKS & SGS & MA & DEKRA Approved

**Working Pressure:**  
80–415 Bar / 1160–6017 PSI

**Impulse times:**  
≥ 200,000 Times

**Temperature:**  
• -40 °C to +100 °C (intermittent 120 °C)  
• -40 °C to +70 °C for water based fluids  
• 0 °C to +70 °C hot air  
• Prolonged operation at extreme temperatures will reduce hoses life

**Media:**  
Mineral and biological oils, glycol-water based, water, lubricants

#	Hose Size		I.D.	R.O.D.	O.D.	Operating Pressure		Burst Pressure		Bend Radius	Weight	Length Per PCS	Ferrule	
Part Number	Dash Size	mm	inch	mm	mm	mm	bar	psi	bar	psi	mm	kgs/m	meter	DME Code
JDE 211112-05	-03	4.8	3/16"	4.6-5.4	10.6-11.6	15.1-16.7	415	6017.5	1660	24070	90	0.374	50/100	DPF2T-03
JDE 211112-06	-04	6.4	1/4"	6.2-7.0	12.1-13.3	16.7-18.3	400	5800	1600	23200	100	0.409	50/100	DPF2T-04
JDE 211112-08	-05	8.0	5/16"	7.7-8.5	13.7-14.9	18.3-19.9	350	5075	1400	20300	115	0.473	50/100	DPF2T-05
JDE 211112-10	-06	9.5	3/8"	9.3-10.1	16.1-17.3	20.6-22.2	330	4785	1320	19140	130	0.616	50/100	DPF2T-06
JDE 211112-12	-08	12.7	1/2"	12.3-13.5	19.0-20.6	23.8-25.4	275	3987.5	1100	15950	180	0.704	50/100	DPF2T-08
JDE 211112-16	-10	16.0	5/8"	15.5-16.7	22.2-23.8	27.0-28.6	250	3625	1000	14500	200	0.805	50/100	DPF2T-10
JDE 211112-19	-12	19.0	3/4"	18.6-19.8	26.2-27.8	31.0-32.6	215	3117.5	860	12470	240	1.023	50/100	DPF2T-12
JDE 211112-25	-16	25.4	1"	25.0-26.4	34.1-35.7	38.5-40.9	165	2392.5	660	9570	300	1.496	50/100	DPF2T-16
JDE 211112-32	-20	31.8	1-1/4"	31.4-33.0	43.3-45.7	49.2-52.4	125	1812.5	500	7250	420	2.035	20/40	DPF2T-20
JDE 211112-38	-24	38.1	1-1/2"	37.7-39.3	49.6-52.0	55.6-58.8	90	1305	360	5220	500	2.530	20/40	DPF2T-24
JDE 211112-51	-32	50.8	2"	50.4-52.0	62.3-64.7	68.2-71.4	80	1160	320	4640	630	2.650	20/40	DPF2T-32

Marking / Layline (Printing, Ink, Embossed)



- Cover Type:** Wrapped
- Packing Type:** Roll, Pallet, Reel
- Outward Appearance:** ● Black



Powered by DME&JDE Group





# BS EN 854



### Application

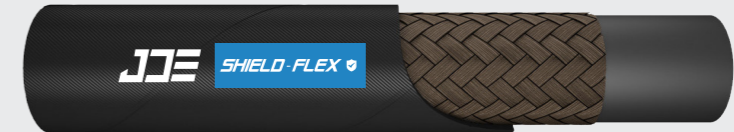


## 1TE



### Applicable Specs:

- DIN EN 854 1TE
- SAE 100R6
- DIN 20021 1TE
- TS 6388 EN 854 TIP 1TE
- ISO 4079-1TE
- ISO 1307



## 2TE



### Applicable Specs:

- EN 854 2TE
- SAE 100R3
- DIN 20021 2TE
- TS 6388 EN854 TIP 2TE
- ISO4079-2TE
- ISO1307



# 1TE Textile Braided Hydraulic Hose

Applicable Specs:

- DIN EN 854 1TE ■ SAE 100R6 ■ DIN 20021 1TE ■ TS 6388 EN 854 TIP 1TE
- ISO 4079-1TE ■ ISO 1307

Applications:



Italy Technology Equipment

Product Series:



New-Standard



Ultra Soft & Flexible

Internal hose:

Synthetic rubber, extruded whole without joints, of uniform thickness

Reinforcement:

1 layer of textile braid

Covering:

Anti-abrasive synthetic rubber, resistant to oils, fuels and atmospheric conditions

Fittings:

Ferrule: No-skive Type PUSH-ON-R6/1TE  
 Insert: PUSH-ON-R6/1TE (X: Can choose)  
 Certificate: MSHA & BV & GOST & IATF 16949 & ISO 9001 & ISO 14001 & ISO 45001 & DAKKS & SGS & MA & DEKRA Approved



Working Pressure:

12-35 Bar / 174-507.5 PSI

Temperature:

- -40 °C to +100 °C (intermittent 120 °C)
- -40 °C to +70 °C for water based fluids
- 0 °C to +70 °C hot air
- Prolonged operation at extreme temperatures will reduce hoses life

Media:

Hydraulic fluids petroleum based (mineral oils), glycol-water based, water, lubricants.

# 2TE Textile Braided Hydraulic Hose

Applicable Specs:

- EN 854 2TE ■ SAE 100R3 ■ DIN 20021 2TE ■ TS 6388 EN854 TIP 2TE
- ISO4079-2TE ■ ISO1307

Applications:



Italy Technology Equipment

Product Series:



New-Standard



Ultra Soft & Flexible

Internal hose:

Synthetic rubber, extruded whole without joints, of uniform thickness

Reinforcement:

2 layers of textile braid

Covering:

Anti-abrasive synthetic rubber, resistant to oils, fuels and atmospheric conditions

Fittings:

Ferrule: No-skive Type PUSH-ON -2TE  
 Insert: PUSH-ON-2TE (X: Can choose)  
 Certificate: MSHA & BV & GOST & IATF 16949 & ISO 9001 & ISO 14001 & ISO 45001 & DAKKS & SGS & MA & DEKRA Approved



Working Pressure:

40-80 Bar/580-1160 PSI

Temperature:

- -40 °C to +100 °C (intermittent 120 °C)
- -40 °C to +70 °C for water based fluids
- 0 °C to +70 °C hot air
- Prolonged operation at extreme temperatures will reduce hoses life

Media:

Hydraulic fluids petroleum based (mineral oils), glycol-water based, water, lubricants.

#	Hose Size			I.D.	R.O.D.	O.D.	Operating Pressure		Burst Pressure		Bend Radius	Weight	Length Per PCS	Ferrule
Part Number	Dash Size	mm	inch	mm	mm	mm	bar	psi	bar	psi	mm	kgs/m	meter	DME Code
JDE 211106-05	-03	4.8	3/16"	4.4-5.2	/	10.0-11.6	35	507.5	140	2030	35	0.100	50/100	PUSH-ON-R6/1TE-03
JDE 211106-06	-04	6.4	1/4"	5.9-6.9	/	11.6-13.5	28	406	112	1624	45	0.110	50/100	PUSH-ON-R6/1TE-04
JDE 211106-08	-05	8.0	5/16"	7.4-8.4	/	13.1-15.1	28	406	112	1624	65	0.130	50/100	PUSH-ON-R6/1TE-05
JDE 211106-10	-06	9.5	3/8"	9.0-10.0	/	14.7-16.7	28	406	112	1624	75	0.160	50/100	PUSH-ON-R6/1TE-06
JDE 211106-12	-08	12.7	1/2"	12.1-13.3	/	17.7-20.6	28	406	112	1624	90	0.220	50/100	PUSH-ON-R6/1TE-08
JDE 211106-16	-10	16.0	5/8"	15.3-16.5	/	21.9-23.9	24	348	96	1392	115	0.270	50/100	PUSH-ON-R6/1TE-10
JDE 211106-19	-12	19.0	3/4"	18.2-19.8	/	25.4-27.8	21	304.5	84	1218	150	0.330	50/100	PUSH-ON-R6/1TE-12
JDE 211106-25	-16	25.4	1"	24.6-26.2	/	32.8-35.9	12	174	48	696	155	0.500	50/100	PUSH-ON-R6/1TE-16

Marking / Layline (Printing, Ink)



Cover Type: Wrapped



Packing Type: Roll, Pallet, Reel



Outward Appearance: ● Black ● Red ● Green ● Blue



Powered by DME&JDE Group

#	Hose Size			I.D.	R.O.D.	O.D.	Operating Pressure		Burst Pressure		Bend Radius	Weight	Length Per PCS	Ferrule
Part Number	Dash Size	mm	inch	mm	mm	mm	bar	psi	bar	psi	mm	kgs/m	meter	DME Code
JDE 211103-05	-03	4.8	3/16"	4.4-5.2	/	11.0-12.6	80	1160.0	320	4640	25	0.200	50/100	PUSH-ON-2TE-03
JDE 211103-06	-04	6.4	1/4"	5.9-6.9	/	12.6-14.2	75	1087.5	300	4350	40	0.160	50/100	PUSH-ON-2TE-04
JDE 211103-08	-05	8.0	5/16"	7.4-8.4	/	14.1-15.7	68	986.0	272	3944	50	0.180	50/100	PUSH-ON-2TE-05
JDE 211103-10	-06	9.5	3/8"	9.0-10.0	/	15.7-17.3	63	913.5	252	3654	60	0.190	50/100	PUSH-ON-2TE-06
JDE 211103-12	-08	12.7	1/2"	12.1-13.3	/	18.7-20.7	58	841.0	232	3364	70	0.260	50/100	PUSH-ON-2TE-08
JDE 211103-16	-10	16.0	5/8"	15.3-16.5	/	22.9-24.9	50	725.0	200	2900	90	0.350	50/100	PUSH-ON-2TE-10
JDE 211103-19	-12	19.0	3/4"	18.2-19.8	/	26.0-28.0	45	652.5	180	2610	110	0.400	50/100	PUSH-ON-2TE-12
JDE 211103-25	-16	25.4	1"	24.6-26.2	/	32.9-35.9	40	580.0	160	2320	150	0.600	50/100	PUSH-ON-2TE-16

Marking / Layline (Printing, Ink)



Cover Type: Wrapped



Packing Type: Roll, Pallet, Reel



Outward Appearance: ● Black ● Red ● Green ● Blue



Powered by DME&JDE Group





# BS EN 856



## Application



## 4SP



### Applicable Specs:

- DIN 20023 PART 1 TYPE 4SP
- TS 10548
- ISO 1307
- ISO 8030 / EN 1804 / EN 13463-1
- ISO 4413
- ISO 3862 4SP
- GB-T 10544

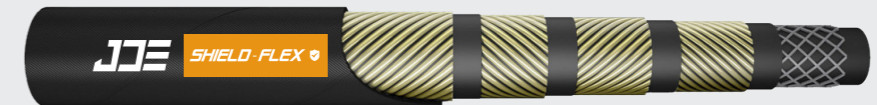


## 4SH



### Applicable Specs:

- DIN 20023 PART 2 TYPE 4SH
- TS 10548 / PG-G-32010
- ISO 1307
- ISO 8030 / EN 1804-3 / ISO 6805 ISO 4413
- ISO 3862 4SH
- GB-T 10544





## 4SP Wire Spiral Hydraulic Hose

Applicable Specs:

- DIN 20023 PART 1 TYPE 4SP ■ TS 10548 ■ ISO 1307 ■ ISO 8030 / EN 1804 / EN 13463-1
- ISO 4413 ■ ISO 3862 4SP ■ GB/T 10544

Applications:



**American Technology Equipment**

Product Series:

**SHIELD FLEX**

New-Standard

**Internal hose:** Synthetic rubber, extruded whole without joints, of uniform thickness

**Reinforcement:** 4 layers of steel wire spiral

**Covering:** Anti-abrasive synthetic rubber, resistant to oils, fuels and atmospheric conditions

**Fittings:** Ferrule: No-skive Type DPF4T • Insert: DPX4XX (X: Can choose) • Certificate: MSHA & BV & GOST & IATF 16949 & ISO 9001 & ISO 14001 & ISO 45001 & DAKKS & SGS & MA & DEKRA Approved

**Working Pressure:** 165-445 Bar / 2392.5-6452.5 PSI

**Impulse times:** ≥ 400,000 Times

**Temperature:**

- -40 °C to +100 °C (intermittent 120 °C)
- -40 °C to +70 °C for water based fluids
- 0 °C to +70 °C hot air
- Prolonged operation at extreme temperatures will reduce hoses life

**Media:** Mineral and biological oils, glycol-water based, water, lubricants

#	Hose Size		I.D.	R.O.D.	O.D.	Operating Pressure		Burst Pressure		Bend Radius	Weight	Length Per PCS	Ferrule	
Part Number	Dash Size	mm	inch	mm	mm	mm	bar	psi	bar	psi	mm	kgs/m	meter	DME Code
JDE 211104-10	-06	9.5	3/8"	9.3-10.1	16.9-18.1	20.6-22.2	445	6452.5	1780	25810	180	0.700	20/40	DPF4T-06
JDE 211104-12	-08	12.7	1/2"	12.3-13.5	19.4-21.0	23.8-25.4	415	6017.5	1660	24070	230	0.800	20/40	DPF4T-08
JDE 211104-16	-10	16.0	5/8"	15.5-16.7	23.0-24.6	27.4-29.0	350	5075	1400	20300	250	0.975	20/40	DPF4T-10
JDE 211104-19	-12	19.0	3/4"	18.6-19.8	27.4-29.0	31.4-33.0	350	5075	1400	20300	300	1.450	20/40	DPF4T-12
JDE 211104-25	-16	25.4	1"	25.0-26.4	34.5-36.1	38.5-40.9	280	4060	1120	16240	340	2.050	20/40	DPF4T-16
JDE 211104-32	-20	31.8	1-1/4"	31.4-33.0	45.0-47.0	49.2-52.4	210	3045	840	12180	460	3.060	20/40	DPF4T-20
JDE 211104-38	-24	38.1	1-1/2"	37.7-39.3	51.4-53.4	55.6-58.8	185	2682.5	740	10730	560	3.650	20/40	DPF4T-24
JDE 211104-51	-32	50.8	2"	50.4-52.0	64.3-66.3	68.2-71.4	165	2392.5	660	9570	660	4.850	20/40	DPF4T-32

Marking / Layline (Printing, Ink, Embossed)

EN856 4SP EXCEEDS SAE100R12 ID: 3/8" (10MM) MAX.W.P.445BAR/ 6455PSI

Cover Type: Wrapped

Packing Type: Roll, Pallet, Reel

Outward Appearance: ● Black

Certificate: ISO 9001, ISO 45001, ISO 14001, MSHA, DAKKS, DEKRA, PG, DIN, SE, MA, USF

## 4SH Wire Spiral Hydraulic Hose

Applicable Specs:

- DIN 20023 PART 2 TYPE 4SH ■ TS 10548 / PG-G-32010 ■ ISO 1307
- ISO 8030 / EN 1804-3 / ISO 6805 ISO 4413 ■ ISO 3862 4SH ■ GB/T 10544

Applications:



**American Technology Equipment**

Product Series:

**SHIELD FLEX**

New-Standard

**Internal hose:** Synthetic rubber, extruded whole without joints, of uniform thickness

**Reinforcement:** 4 layers of steel wire spiral

**Covering:** Anti-abrasive synthetic rubber, resistant to oils, fuels and atmospheric conditions

**Fittings:** Ferrule: No-skive Type DPF4T • Insert: DPX4XX (X: Can choose) • Certificate: MSHA & BV & GOST & IATF 16949 & ISO 9001 & ISO 14001 & ISO 45001 & DAKKS & SGS & MA & DEKRA Approved

**Working Pressure:** 250-420 Bar/3625-6090 PSI

**Impulse times:** ≥ 400,000 Times

**Temperature:**

- -40 °C to +100 °C (intermittent 120 °C)
- -40 °C to +70 °C for water based fluids
- 0 °C to +70 °C hot air
- Prolonged operation at extreme temperatures will reduce hoses life

**Media:** Mineral and biological oils, glycol-water based, water, lubricants

#	Hose Size		I.D.	R.O.D.	O.D.	Operating Pressure		Burst Pressure		Bend Radius	Weight	Length Per PCS	Ferrule	
Part Number	Dash Size	mm	inch	mm	mm	mm	bar	psi	bar	psi	mm	kgs/m	meter	DME Code
JDE 211114-19	-12	19.0	3/4"	18.6-19.8	27.6-29.2	31.4-33.0	420	6090	1680	24360	280	1.600	20/40	DPF4T-12
JDE 211114-25	-16	25.4	1"	25.0-26.4	34.4-36.0	37.5-39.9	380	5510	1520	22040	340	2.200	20/40	DPF4T-16
JDE 211114-32	-20	31.8	1-1/4"	31.4-33.0	40.9-42.9	43.9-47.1	325	4712.5	1300	18850	460	2.750	20/40	DPF4T-20
JDE 211114-38	-24	38.1	1-1/2"	37.7-39.3	47.8-49.8	51.9-55.1	290	4205	1160	16820	560	3.750	20/40	DPF4T-24
JDE 211114-51	-32	50.8	2"	50.4-52.0	62.2-64.2	66.5-69.7	250	3625	1000	14500	700	4.950	20/40	DPF4T-32

Marking / Layline (Printing, Ink, Embossed)

EN856 4SH EXCEEDS SAE100R13 ID: 3/4" (19MM) MAX.W.P.420BAR/ 6090PSI

Cover Type: Wrapped

Packing Type: Roll, Pallet, Reel

Outward Appearance: ● Black

Certificate: ISO 9001, ISO 45001, ISO 14001, MSHA, DAKKS, DEKRA, PG, DIN, SE, MA, USF





# BS EN 857



## Application



## 1SC



### Applicable Specs:

- DIN EN 857 1SC
- ISO 1436:2009
- TS 6387 EN 857 1SC
- ISO 1307
- ISO 6805
- EN 13463-1



## 2SC



### Applicable Specs:

- DIN EN 857 2SC
- ISO 11237-1 2SC
- EN 1804-3
- ISO 1307
- ISO 6805





# 1SC Wire Braided Hydraulic Hose

Applicable Specs:

- DIN EN 857 1SC ■ ISO 1436:2009 ■ TS 6387 EN 857 1SC ■ ISO 1307
- ISO 6805 ■ EN 13463-1

Applications:



German Technology Equipment

Product Series:



Ultra Soft & Flexible

**Internal hose:**  
Synthetic rubber, extruded whole without joints, of uniform thickness

**Reinforcement:**  
1 layer of steel wire braid

**Covering:**  
Anti-abrasive synthetic rubber, resistant to oils, fuels and atmospheric conditions

**Fittings:**  
Ferrule: No-skive Type DPF2T •  
Insert: DPX1XX (X: Can choose) •  
Certificate: MSHA & BV & GOST & IATF 16949 •  
& ISO 9001 & ISO 14001 & ISO 45001  
& DAKKS & SGS & MA & DEKRA Approved

- Working Pressure:**  
88–225 Bar / 1276–3262.5 PSI
- Impulse times:**  
≥ 150,000 Times
- Temperature:**
  - -40 °C to +100 °C (intermittent 120 °C)
  - -40 °C to +70 °C for water based fluids
  - 0 °C to +70 °C hot air
  - Prolonged operation at extreme temperatures will reduce hoses life
- Media:**  
Mineral and biological oils, glycol-water based, water, lubricants

#	Hose Size		I.D.	R.O.D.	O.D.	Operating Pressure		Burst Pressure		Bend Radius	Weight	Length Per PCS	Ferrule	
Part Number	Dash Size	mm	inch	mm	mm	bar	psi	bar	psi	mm	kgs/m	meter	DME Code	
DEF 211121-06	-04	6.4	1/4"	6.1-6.9	9.6–10.8	13.5 MAX.	225	3262.5	900	13050	75	0.190	50/100	DPF2T-04
DEF 211121-08	-05	8.0	5/16"	7.7-8.5	10.9–12.1	14.5 MAX.	215	3117.5	860	12470	85	0.220	50/100	DPF2T-05
DEF 211121-10	-06	9.5	3/8"	9.3-10.1	12.7–14.5	16.9 MAX.	180	2610	720	10440	90	0.250	50/100	DPF2T-06
DEF 211121-12	-08	12.7	1/2"	12.3-13.5	15.9–18.1	20.4 MAX.	160	2320	640	9280	130	0.350	50/100	DPF2T-08
DEF 211121-16	-10	16.0	5/8"	15.5-16.7	19.8–21.0	23.0 MAX.	130	1885	520	7540	150	0.450	50/100	DPF2T-10
DEF 211121-19	-12	19.0	3/4"	18.6-19.8	23.2–24.4	26.7 MAX.	105	1522.5	420	6090	180	0.500	50/100	DPF2T-12
DEF 211121-25	-16	25.4	1"	25.0-26.4	30.7–31.9	34.9 MAX.	88	1276	352	5104	230	0.750	50/100	DPF2T-16

Marking / Layline (Printing, Ink, Embossed)



- Cover Type:** Wrapped
- Packing Type:** Roll, Pallet, Reel
- Outward Appearance:** ● Black



Powered by DME&JDE Group

# 2SC Wire Braided Hydraulic Hose

Applicable Specs:

- DIN EN 857 2SC ■ ISO 11237-12SC ■ EN 1804-3
- ISO 1307 ■ ISO 6805

Applications:



German Technology Equipment

Product Series:



Ultra Soft & Flexible

**Internal hose:**  
Synthetic rubber, extruded whole without joints, of uniform thickness

**Reinforcement:**  
2 layers of steel wire braid

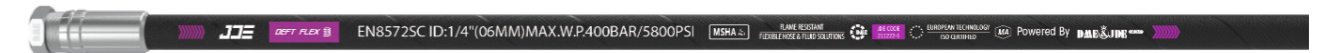
**Covering:**  
Anti-abrasive synthetic rubber, resistant to oils, fuels and atmospheric conditions

**Fittings:**  
Ferrule: No-skive Type DPF2T •  
Insert: DPX2XX (X: Can choose) •  
Certificate: MSHA & BV & GOST & IATF 16949 •  
& ISO 9001 & ISO 14001 & ISO 45001  
& DAKKS & SGS & MA & DEKRA Approved

- Working Pressure:**  
165–400 Bar / 2392.5–5800 PSI
- Impulse times:**  
≥ 200,000 Times
- Temperature:**
  - -40 °C to +100 °C (intermittent 120 °C)
  - -40 °C to +70 °C for water based fluids
  - 0 °C to +70 °C hot air
  - Prolonged operation at extreme temperatures will reduce hoses life
- Media:**  
Mineral and biological oils, glycol-water based, water, lubricants

#	Hose Size		I.D.	R.O.D.	O.D.	Operating Pressure		Burst Pressure		Bend Radius	Weight	Length Per PCS	Ferrule	
Part Number	Dash Size	mm	inch	mm	mm	bar	psi	bar	psi	mm	kgs/m	meter	DME Code	
DEF 211122-06	-04	6.4	1/4"	6.1-6.9	10.6-11.7	14.2 MAX.	400	5800	1600	23200	75	0.290	50/100	DPF2T-04
DEF 211122-08	-05	8.0	5/16"	7.7-8.5	12.1-13.3	16.0 MAX.	350	5075	1400	20300	85	0.330	50/100	DPF2T-05
DEF 211122-10	-06	9.5	3/8"	9.3-10.1	14.4-15.6	18.3 MAX.	330	4785	1320	19140	90	0.420	50/100	DPF2T-06
DEF 211122-12	-08	12.7	1/2"	12.3-13.5	17.5-19.1	21.5 MAX.	275	3987.5	1100	15950	130	0.550	50/100	DPF2T-08
DEF 211122-16	-10	16.0	5/8"	15.5-16.7	20.5-22.3	24.7 MAX.	250	3625	1000	14500	170	0.650	50/100	DPF2T-10
DEF 211122-19	-12	19.0	3/4"	18.6-19.8	24.6-26.4	28.6 MAX.	215	3117.5	860	12470	200	0.790	50/100	DPF2T-12
DEF 211122-25	-16	25.4	1"	25.0-26.4	32.5-34.3	36.6 MAX.	165	2392.5	660	9570	250	1.180	50/100	DPF2T-16

Marking / Layline (Printing, Ink, Embossed)



- Cover Type:** Wrapped
- Packing Type:** Roll, Pallet, Reel
- Outward Appearance:** ● Black



Powered by DME&JDE Group





# SAE J517



## Application



## R1AT

### Applicable Specs:

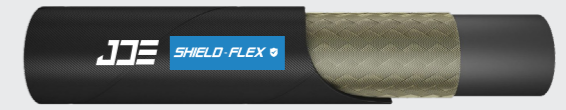
- DIN EN853 1SN
- EXCEEDS SAE 100R1AT
- ISO 1436:2009
- TS 6387 EN 853 1SN
- ISO 1307 / EN 1804-3
- ISO 6805 / EN 13463-1



## R1A

### Applicable Specs:

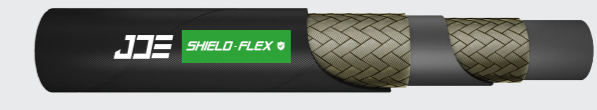
- DIN EN 853 1ST
- EXCEEDS SAE 100R1A
- ISO 1436:2009
- TS 6387 EN 853 1ST
- ISO 1307 / EN 1804-3
- ISO 6805 / EN 13463-1



## R2AT

### Applicable Specs:

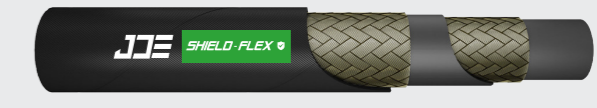
- DIN EN853 2SN
- EXCEEDS SAE 100R2AT
- ISO 1436:2009
- ISO 1307
- PN-EN ISO 8030 / PN-EN 13463
- PN-EN 1804-3+A1 / PN-EN ISO 4413
- ISO 6805 / EN 13463
- PN-G 32010



## R2A

### Applicable Specs:

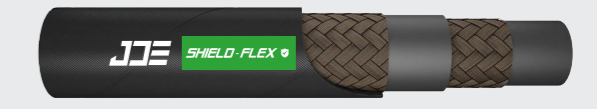
- DIN EN853 2ST
- EXCEEDS SAE 100R2A
- ISO 1436:2009
- ISO 1307
- PN-EN ISO 8030 / PN-EN 13463
- PN-EN 1804-3+A1 / PN-EN ISO 4413
- ISO 6805 / EN 13463
- PN-G 32010



## R3

### Applicable Specs:

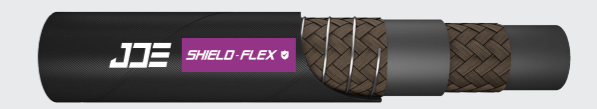
- SAE 100R3
- ISO 4079



## R4

### Applicable Specs:

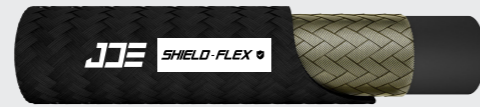
- SAE J517 R4
- ISO 1307



**R5**

**Applicable Specs:**

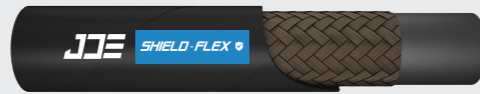
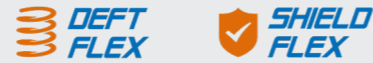
- SAE 100R5 BX



**R6**

**Applicable Specs:**

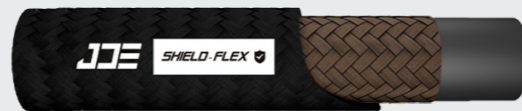
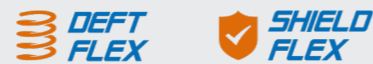
- DIN EN 853 1TE
- SAE 100R6
- DIN 20021 1TE
- TS 6388 EN 854 TIP 1TE
- ISO 4079-1TE
- ISO 1307



**R6CT**

**Applicable Specs:**

- OIL HOSE 1TB



**R7**

**Applicable Specs:**

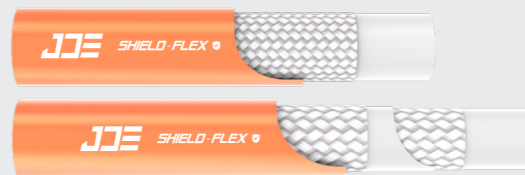
- SAE J517 R7
- ISO 3949 R7



**R7 Non-C Type**

**Applicable Specs:**

- Meets SAE J517 electrical standards (non-conductivity)
- Meets/Exceeds SAE J517 100R7
- ANSI A92.2
- ISO 3949-R7-2



**R9**

**Applicable Specs:**

- SAE 100R12 / EN 856 R9
- TS 10548
- ISO 1307
- ISO 3862 R9



**R12**

**Applicable Specs:**

- SAE 100R12 / EN 856 R12
- TS 10548
- ISO 1307
- ISO 3862 R12



**R13**

**Applicable Specs:**

- SAE 100R13
- TS 10548 / PG-G-32010
- ISO 1307
- EN 1804-3 / ISO 13463-1
- ISO 3862 R13



**R15**

**Applicable Specs:**

- SAE 100R15
- ISO 1307
- ISO 3862 R15



**R16**

**Applicable Specs:**

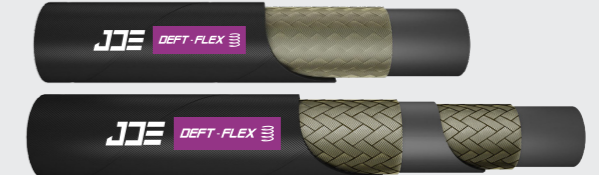
- SAE 100R16
- ISO 11237-1 R16
- ISO 1307



**R17**

**Applicable Specs:**

- SAE 100R17
- ISO 11237-1 R17
- ISO 1307



**R19**

**Applicable Specs:**

- SAE 100R19





# R1AT Wire Braided Hydraulic Hose

Applicable Specs:

- DIN EN853 1SN ■ EXCEEDS SAE 100RIAT ■ ISO 1436:2009 ■ TS 6387 EN 853 1SN
- ISO 1307 / EN 1804-3 ■ ISO 6805 / EN 13463-1

Applications:



**German Technology Equipment**

Product Series:

New-Standard

- Internal hose:** Synthetic rubber, extruded whole without joints, of uniform thickness
- Reinforcement:** 1 layer of steel wire braid
- Covering:** Anti-abrasive synthetic rubber, resistant to oils, fuels and atmospheric conditions
- Fittings:**
  - Ferrule: No-skive Type DPF2T
  - Insert: DPX1XX (X: Can choose)
  - Certificate: MSHA & BV & GOST & IATF 16949 & ISO 9001 & ISO 14001 & ISO 45001 & DAKKS & SGS & MA & DEKRA Approved



- Working Pressure:** 40–250 Bar / 580–3625 PSI
- Impulse times:** ≥ 150,000 times
- Temperature:**
  - -40 °C to +100 °C (intermittent 120 °C)
  - -40 °C to +70 °C for water based fluids
  - 0 °C to +70 °C hot air
  - Prolonged operation at extreme temperatures will reduce hoses life
- Media:** Mineral and biological oils, glycol-water based, water, lubricants

#	Hose Size		I.D.	R.O.D.	O.D.	Operating Pressure		Burst Pressure		Bend Radius	Weight	Length Per PCS	Ferrule	
Part Number	Dash Size	mm	inch	mm	mm	mm	bar	psi	bar	psi	mm	kgs/m	meter	DME Code
JDE 311101-05	-03	4.8	3/16"	4.6-5.4	9.0-10.0	12.5 MAX.	250	3625	1000	14500	90	0.240	50/100	DPF2T-03
JDE 311101-06	-04	6.4	1/4"	6.2-7.0	10.6-11.6	14.1 MAX.	225	3262.5	900	13050	100	0.255	50/100	DPF2T-04
JDE 311101-08	-05	8.0	5/16"	7.7-8.5	12.1-13.3	15.7 MAX.	215	3117.5	860	12470	115	0.304	50/100	DPF2T-05
JDE 311101-10	-06	9.5	3/8"	9.3-10.1	14.5-15.7	18.1 MAX.	180	2610	720	10440	130	0.390	50/100	DPF2T-06
JDE 311101-12	-08	12.7	1/2"	12.3-13.5	17.5-19.1	21.4 MAX.	160	2320	640	9280	180	0.472	50/100	DPF2T-08
JDE 311101-16	-10	16.0	5/8"	15.5-16.7	20.6-22.2	24.5 MAX.	130	1885	520	7540	200	0.581	50/100	DPF2T-10
JDE 311101-19	-12	19.0	3/4"	18.6-19.8	24.6-26.2	28.5 MAX.	105	1522.5	420	6090	240	0.690	50/100	DPF2T-12
JDE 311101-25	-16	25.4	1"	25.0-26.4	32.5-34.1	36.6 MAX.	88	1276	352	5104	300	0.830	50/100	DPF2T-16
JDE 311101-32	-20	31.8	1-1/4"	31.4-33.0	39.3-41.7	44.8 MAX.	63	913.5	252	3654	420	1.325	20/40	DPF2T-20
JDE 311101-38	-24	38.1	1-1/2"	37.7-39.3	45.6-48.0	52.1 MAX.	50	725	200	2900	500	1.500	20/40	DPF2T-24
JDE 311101-51	-32	50.8	2"	50.4-52.0	58.7-61.7	65.5 MAX.	40	580	160	2320	630	1.875	20/40	DPF2T-32

Marking / Layline (Printing, Ink, Embossed)



- Cover Type:** Wrapped
- Packing Type:** Roll, Pallet, Reel
- Outward Appearance:** ● Black



Powered by DME&JDE Group

# R1A Wire Braided Hydraulic Hose

Applicable Specs:

- DIN EN 853 1ST ■ EXCEEDS SAE 100RIA ■ ISO 1436:2009 ■ TS 6387
- ISO 1307 / EN 1804-3 ■ ISO 6805 / EN 13463-1

Applications:



**German Technology Equipment**

Product Series:

New-Standard

- Internal hose:** Synthetic rubber, extruded whole without joints, of uniform thickness
- Reinforcement:** 1 layer of steel wire braid
- Covering:** Anti-abrasive synthetic rubber, resistant to oils, fuels and atmospheric conditions
- Fittings:**
  - Ferrule: No-skive Type DPF2T
  - Insert: DPX1XX (X: Can choose)
  - Certificate: MSHA & BV & GOST & IATF 16949 & ISO 9001 & ISO 14001 & ISO 45001 & DAKKS & SGS & MA & DEKRA Approved



- Working Pressure:** 40–250 Bar / 580–3625 PSI
- Impulse times:** ≥ 150,000 times
- Temperature:**
  - -40 °C to +100 °C (intermittent 120 °C)
  - -40 °C to +70 °C for water based fluids
  - 0 °C to +70 °C hot air
  - Prolonged operation at extreme temperatures will reduce hoses life
- Media:** Mineral and biological oils, glycol-water based, water, lubricants

#	Hose Size		I.D.	R.O.D.	O.D.	Operating Pressure		Burst Pressure		Bend Radius	Weight	Length Per PCS	Ferrule	
Part Number	Dash Size	mm	inch	mm	mm	mm	bar	psi	bar	psi	mm	kgs/m	meter	DME Code
JDE 311111-05	-03	4.8	3/16"	4.6-5.4	9.0-10.0	11.9-13.5	250	3625	1000	14500	90	0.264	50/100	DPF2T-03
JDE 311111-06	-04	6.4	1/4"	6.2-7.0	10.6-11.6	15.1-16.7	225	3262.5	900	13050	100	0.281	50/100	DPF2T-04
JDE 311111-08	-05	8.0	5/16"	7.7-8.5	12.1-13.3	16.7-18.3	215	3117.5	860	12470	115	0.334	50/100	DPF2T-05
JDE 311111-10	-06	9.5	3/8"	9.3-10.1	14.5-15.7	19.0-20.6	180	2610	720	10440	130	0.429	50/100	DPF2T-06
JDE 311111-12	-08	12.7	1/2"	12.3-13.5	17.5-19.1	22.2-23.8	160	2320	640	9280	180	0.519	50/100	DPF2T-08
JDE 311111-16	-10	16.0	5/8"	15.5-16.7	20.6-22.2	25.4-27.0	130	1885	520	7540	200	0.639	50/100	DPF2T-10
JDE 311111-19	-12	19.0	3/4"	18.6-19.8	24.6-26.2	29.4-31.0	105	1522.5	420	6090	240	0.759	50/100	DPF2T-12
JDE 311111-25	-16	25.4	1"	25.0-26.4	32.5-34.1	37.1-39.1	88	1276	352	5104	300	0.913	50/100	DPF2T-16
JDE 311111-32	-20	31.8	1-1/4"	31.4-33.0	39.3-41.7	44.4-47.6	63	913.5	252	3654	420	1.458	20/40	DPF2T-20
JDE 311111-38	-24	38.1	1-1/2"	37.7-39.3	45.6-48.0	50.8-54.0	50	725	200	2900	500	1.650	20/40	DPF2T-24
JDE 311111-51	-32	50.8	2"	50.4-52.0	58.7-61.7	65.1-68.3	40	580	160	2320	630	2.063	20/40	DPF2T-32

Marking / Layline (Printing, Ink, Embossed)



- Cover Type:** Wrapped
- Packing Type:** Roll, Pallet, Reel
- Outward Appearance:** ● Black



Powered by DME&JDE Group

# R2AT Wire Braided Hydraulic Hose

Applicable Specs:

- DIN EN 853 2SN ■ EXCEEDS SAE 100R2AT ■ ISO 1436:2009 ■ ISO 1307
- PN-EN ISO 8030 / PN-EN 13463 ■ PN-EN 1804-3+A1 / PN-EN ISO 4413 ■ ISO 6805 / EN 13463
- PN-G 32010

Applications:



**German Technology Equipment**

Product Series:

New-Standard

- Internal hose:** Synthetic rubber, extruded whole without joints, of uniform thickness
- Reinforcement:** 2 layers of steel wire braid
- Covering:** Anti-abrasive synthetic rubber, resistant to oils, fuels and atmospheric conditions
- Fittings:** Ferrule: No-skive Type DPF2T • Insert: DPX1XX (X: Can choose) • Certificate: MSHA & BV & GOST & IATF 16949 & ISO 9001 & ISO 14001 & ISO 45001 & DAKKS & SGS & MA & DEKRA Approved



- Working Pressure:** 80–415 Bar / 1160–6017.5 PSI
- Impulse times:** ≥ 200,000 Times
- Temperature:**
  - -40 °C to +100 °C (intermittent 120 °C)
  - -40 °C to +70 °C for water based fluids
  - 0 °C to +70 °C hot air
  - Prolonged operation at extreme temperatures will reduce hoses life
- Media:** Mineral and biological oils, glycol-water based, water, lubricants

#	Hose Size		I.D.	R.O.D.	O.D.	Operating Pressure	Burst Pressure	Bend Radius	Weight	Length Per PCS	Ferrule			
Part Number	Dash Size	mm	inch	mm	mm	mm	bar	psi	bar	psi	mm	kgs/m	meter	DME Code
JDE 311102-05	-03	4.8	3/16"	4.6-5.4	9.0-10.0	14.1 MAX.	415	6017.5	1660	24070	90	0.340	50/100	DPF2T-03
JDE 311102-06	-04	6.4	1/4"	6.2-7.0	10.6-11.6	15.7 MAX.	400	5800	1600	23200	100	0.372	50/100	DPF2T-04
JDE 311102-08	-05	8.0	5/16"	7.7-8.5	12.1-13.3	17.3 MAX.	350	5075	1400	20300	115	0.430	50/100	DPF2T-05
JDE 311102-10	-06	9.5	3/8"	9.3-10.1	14.5-15.7	19.7 MAX.	330	4785	1320	19140	130	0.560	50/100	DPF2T-06
JDE 311102-12	-08	12.7	1/2"	12.3-13.5	17.5-19.1	23.0 MAX.	275	3987.5	1100	15950	180	0.640	50/100	DPF2T-08
JDE 311102-16	-10	16.0	5/8"	15.5-16.7	20.6-22.2	26.2 MAX.	250	3625	1000	14500	200	0.732	50/100	DPF2T-10
JDE 311102-19	-12	19.0	3/4"	18.6-19.8	24.6-26.2	30.1 MAX.	215	3117.5	860	12470	240	0.930	50/100	DPF2T-12
JDE 311102-25	-16	25.4	1"	25.0-26.4	32.5-34.1	38.9 MAX.	165	2392.5	660	9570	300	1.360	50/100	DPF2T-16
JDE 311102-32	-20	31.8	1-1/4"	31.4-33.0	39.3-41.7	49.5 MAX.	125	1812.5	500	7250	420	1.850	20/40	DPF2T-20
JDE 311102-38	-24	38.1	1-1/2"	37.7-39.3	45.6-48.0	55.9 MAX.	90	1305	360	5220	500	2.300	20/40	DPF2T-24
JDE 311102-51	-32	50.8	2"	50.4-52.0	58.7-61.7	68.6 MAX.	80	1160	320	4640	630	2.650	20/40	DPF2T-32

Marking / Layline (Printing, Ink, Embossed)



- Cover Type:** Wrapped
  - Packing Type:** Roll, Pallet, Reel
  - Outward Appearance:** ● Black
- Certificate: ISO 9001, ISO 14001, MSHA, DAKKS, DEKRA, DIN, SE, MA, WSF

# R2A Wire Braided Hydraulic Hose

Applicable Specs:

- DIN EN853 2ST ■ EXCEEDS SAE 100R2A ■ ISO 1436:2009 ■ ISO 1307
- PN-G-32010 / PN-EN ISO 8030 / PN-EN 13463 ■ PN-EN 1804-3+A1 ■ PN-EN ISO 4413

Applications:



**German Technology Equipment**

Product Series:

New-Standard

- Internal hose:** Synthetic rubber, extruded whole without joints, of uniform thickness
- Reinforcement:** 2 layers of steel wire braid
- Covering:** Anti-abrasive synthetic rubber, resistant to oils, fuels and atmospheric conditions
- Fittings:** Ferrule: No-skive Type DPF2T • Insert: DPX2XX (X: Can choose) • Certificate: MSHA & BV & GOST & IATF 16949 & ISO 9001 & ISO 14001 & ISO 45001 & DAKKS & SGS & MA & DEKRA Approved



- Working Pressure:** 80–415 Bar / 1160–6017.5 PSI
- Impulse times:** ≥ 200,000 Times
- Temperature:**
  - -40 °C to +100 °C (intermittent 120 °C)
  - -40 °C to +70 °C for water based fluids
  - 0 °C to +70 °C hot air
  - Prolonged operation at extreme temperatures will reduce hoses life
- Media:** Mineral and biological oils, glycol-water based, water, lubricants

#	Hose Size		I.D.	R.O.D.	O.D.	Operating Pressure	Burst Pressure	Bend Radius	Weight	Length Per PCS	Ferrule			
Part Number	Dash Size	mm	inch	mm	mm	mm	bar	psi	bar	psi	mm	kgs/m	meter	DME Code
JDE 311112-05	-03	4.8	3/16"	4.6-5.4	10.6-11.6	15.1-16.7	415	6017.5	1660	24070	90	0.374	50/100	DPF2T-03
JDE 311112-06	-04	6.4	1/4"	6.2-7.0	12.1-13.3	16.7-18.3	400	5800	1600	23200	100	0.409	50/100	DPF2T-04
JDE 311112-08	-05	8.0	5/16"	7.7-8.5	13.7-14.9	18.3-19.9	350	5075	1400	20300	115	0.473	50/100	DPF2T-05
JDE 311112-10	-06	9.5	3/8"	9.3-10.1	16.1-17.3	20.6-22.2	330	4785	1320	19140	130	0.616	50/100	DPF2T-06
JDE 311112-12	-08	12.7	1/2"	12.3-13.5	19.0-20.6	23.8-25.4	275	3987.5	1100	15950	180	0.704	50/100	DPF2T-08
JDE 311112-16	-10	16.0	5/8"	15.5-16.7	22.2-23.8	27.0-28.6	250	3625	1000	14500	200	0.805	50/100	DPF2T-10
JDE 311112-19	-12	19.0	3/4"	18.6-19.8	26.2-27.8	31.0-32.6	215	3117.5	860	12470	240	1.023	50/100	DPF2T-12
JDE 311112-25	-16	25.4	1"	25.0-26.4	34.1-35.7	38.5-40.9	165	2392.5	660	9570	300	1.496	50/100	DPF2T-16
JDE 311112-32	-20	31.8	1-1/4"	31.4-33.0	43.3-45.7	49.2-52.4	125	1812.5	500	7250	420	2.035	20/40	DPF2T-20
JDE 311112-38	-24	38.1	1-1/2"	37.7-39.3	49.6-52.0	55.6-58.8	90	1305	360	5220	500	2.300	20/40	DPF2T-24
JDE 311112-51	-32	50.8	2"	50.4-52.0	62.3-64.7	68.2-71.4	80	1160	320	4640	630	2.650	20/40	DPF2T-32

Marking / Layline (Printing, Ink, Embossed)



- Cover Type:** Wrapped
  - Packing Type:** Roll, Pallet, Reel
  - Outward Appearance:** ● Black
- Certificate: ISO 9001, ISO 14001, MSHA, DAKKS, DEKRA, DIN, SE, MA, WSF



## R3 Textile Braided Hydraulic Hose

Applicable Specs:

- SAE 100R3
- ISO 4079



**Italy Technology Equipment**

Product Series:

New-Standard

Ultra Soft & Flexible

- Internal hose:** Synthetic rubber, extruded whole without joints, of uniform thickness
- Reinforcement:** 2 layers of textile braid
- Covering:** Anti-abrasive synthetic rubber, resistant to oils, fuels and atmospheric conditions
- Fittings:**
  - Ferrule: No-skive Type PUSH-ON-R3
  - Insert: PUSH-ON-R3 (X: Can choose)
  - Certificate: MSHA & BV & GOST & IATF 16949 & ISO 9001 & ISO 14001 & ISO 45001 & DAKKS & SGS & MA & DEKRA Approved



- Working Pressure:** 39-105 Bar/565.5-1522.5PSI
- Temperature:**
  - 40 °C to +100 °C (intermittent 120 °C)
  - 40 °C to +70 °C for water based fluids
  - 0 °C to +70 °C hot air
  - Prolonged operation at extreme temperatures will reduce hoses life
- Media:** Hydraulic fluids petroleum based (mineral oils), glycol-water based, water, lubricants

#	Hose Size		I.D.	R.O.D.	O.D.	Operating Pressure		Burst Pressure	Bend Radius	Weight	Length Per PCS	Ferrule		
Part Number	Dash Size	mm	inch	mm	mm	bar	psi	bar	psi	mm	kgs/m	meter	DME Code	
JDE 311103-05	-03	4.8	3/16"	4.5-5.4	-	11.9-13.5	105	1522.5	420	6090	75	0.130	50/100	PUSH-ON-R3-03
JDE 311103-06	-04	6.4	1/4"	6.1-7.0	-	13.5-15.1	87	1261.5	348	5046	75	0.180	50/100	PUSH-ON-R3-04
JDE 311103-08	-05	8.0	5/16"	7.6-8.5	-	16.7-18.3	84	1218.0	336	4872	100	0.280	50/100	PUSH-ON-R3-05
JDE 311103-10	-06	9.5	3/8"	9.2-10.1	-	18.3-19.8	78	1131.0	312	4524	100	0.300	50/100	PUSH-ON-R3-06
JDE 311103-12	-08	12.7	1/2"	12.4-13.5	-	23.0-24.6	70	1015.0	280	4060	125	0.420	50/100	PUSH-ON-R3-08
JDE 311103-16	-10	16.0	5/8"	15.6-16.7	-	26.2-27.8	61	884.5	244	3538	140	0.470	50/100	PUSH-ON-R3-10
JDE 311103-19	-12	19.0	3/4"	18.7-19.8	-	31.0-32.5	52	754.0	208	3016	150	0.680	50/100	PUSH-ON-R3-12
JDE 311103-25	-16	25.4	1"	25.1-26.2	-	36.9-39.3	39	565.5	156	2262	205	0.900	50/100	PUSH-ON-R3-16

Marking / Layline (Printing, Ink, Embossed)



- Cover Type:** Wrapped
- Packing Type:** Roll, Pallet, Reel
- Outward Appearance:** ● Black ● Red ● Green ● Blue
- Certificate:** ISO 9001, ISO 45001, ISO 14001, MSHA, DAKKS, DEKRA, DIN, SE, MA, WSF

Powered by DME&JDE Group

## R4 Textile Braided Hydraulic Hose

Applicable Specs:

- ISO 1307
- SAE J517 R4



**Italy Technology Equipment**

Product Series:

New-Standard

- Internal hose:** Synthetic rubber, extruded whole without joints, of uniform thickness
- Reinforcement:** 2 layers of textile braid + 1 layer of special spiral braid
- Covering:** Anti-abrasive synthetic rubber, resistant to oils, fuels and atmospheric conditions
- Fittings:**
  - Ferrule: No-skive Type DPFR4
  - Insert: DPXR4XX (X: Can choose)
  - Certificate: MSHA & BV & GOST & IATF 16949 & ISO 9001 & ISO 14001 & ISO 45001 & DAKKS & SGS & MA & DEKRA Approved



- Working Pressure:** 4-21 Bar / 58-304.5 PSI
- Temperature:**
  - 40 °C to +100 °C (intermittent 120 °C)
  - 40 °C to +70 °C for water based fluids
  - Prolonged operation at extreme temperatures will reduce hoses life
- Media:** Hydraulic fluids petroleum based (mineral oils), glycol-water based, water, lubricants

#	Hose Size		I.D.	R.O.D.	O.D.	Operating Pressure		Burst Pressure	Bend Radius	Weight	Length Per PCS	Ferrule		
Part Number	Dash Size	mm	inch	mm	mm	bar	psi	bar	psi	mm	kgs/m	meter	DME Code	
JDE 311104-19	-12	19.0	3/4"	19±0.4	-	34.9±0.4	21.0	304.5	63	913.5	125	0.99	60	DPFR4-12
JDE 311104-25	-16	25.4	1"	25±0.4	-	41.3±0.4	17.0	246.5	51	739.5	150	1.21	60	DPFR4-16
JDE 311104-32	-20	31.8	1-1/4"	32±0.4	-	50.8±0.4	14.0	203	42	609	200	1.68	60	DPFR4-20
JDE 311104-38	-24	38.1	1-1/2"	38±0.4	-	57.2±0.4	10.5	152.25	31.5	456.75	255	1.93	60	DPFR4-24
JDE 311104-45	-28	44.4	1-3/4"	45±0.4	-	64±0.4	10.0	148	30	435	275	2.22	60	DPFR4-28
JDE 311104-51	-32	50.8	2"	51±0.4	-	69.9±0.4	7.0	101.5	21	304.5	300	2.47	60	DPFR4-32
JDE 311104-64	-40	64.0	2-1/2"	64±0.4	-	82.6±0.4	4.0	58	12	174	355	3.17	60	DPFR4-40
JDE 311104-76	-48	76.2	3"	76±0.4	-	95.3±0.4	4.0	58	12	174	460	4.03	60	DPFR4-48
JDE 311104-89	-56	88.9	3-1/2"	89±0.4	-	107.9±0.4	4.0	58	12	174	530	4.8	60	DPFR4-48
JDE 311104-102	-64	101.6	4"	102±0.4	-	120.7±0.4	4.0	58	12	174	610	5.44	60	DPFR4-64

Marking / Layline (Printing, Ink, Embossed)



- Cover Type:** Wrapped
- Packing Type:** Roll, Pallet, Reel
- Outward Appearance:** ● Black
- Certificate:** ISO 9001, ISO 45001, ISO 14001, MSHA, DAKKS, DEKRA, DIN, SE, MA, WSF

Powered by DME&JDE Group

## R5 Wire Braided Hydraulic Hose

Applicable Specs:

- SAE 100R5BX



**German Technology Equipment**

Product Series:

**SHIELD FLEX**

New-Standard

**Internal hose:**  
Synthetic rubber, extruded whole without joints, of uniform thickness

**Reinforcement:**  
1 layer of steel wire braid

**Covering:**  
Black Color textile braided cover

**Fittings:**  
 Ferrule: No-skive Type DPF5 •  
 Insert: DPF5 (X: Can choose) •  
 Certificate: MSHA & BV & GOST & IATF 16949 •  
 & ISO 9001 & ISO 14001 & ISO 45001 •  
 & DAKKS & SGS & MA & DEKRA Approved



**Working Pressure:**  
24–210 Bar / 348–3045 PSI

**Temperature:**  
 • -40 °C to +100 °C (intermittent 120 °C)  
 • -40 °C to +70 °C for water based fluids  
 • 0 °C to +70 °C hot air

**Media:**  
Hydraulic fluids petroleum based (mineral oils), glycol-water based, water, lubricants

## R6 Textile Braided Hydraulic Hose

Applicable Specs:

- DIN EN 853 1TE
- SAE 100R6
- DIN 200211TE
- TS 6388 EN 854 TIP 1TE
- ISO 4079-1TE
- ISO 1307



**Italy Technology Equipment**

Product Series:

**SHIELD FLEX** | **DEFT FLEX**

New-Standard | Ultra Soft & Flexible

**Internal hose:**  
Synthetic rubber, extruded whole without joints, of uniform thickness

**Reinforcement:**  
1 layer of textile braid

**Covering:**  
Anti-abrasive synthetic rubber, resistant to oils, fuels and atmospheric conditions

**Fittings:**  
 Ferrule: No-skive Type PUSH-ON-R6/1TE •  
 Insert: PUSH-ON-R6/1TE (X: Can choose) •  
 Certificate: MSHA & BV & GOST & IATF 16949 •  
 & ISO 9001 & ISO 14001 & ISO 45001 •  
 & DAKKS & SGS & MA & DEKRA Approved



**Working Pressure:**  
12–35 Bar / 174–507.5 PSI

**Temperature:**  
 • -40 °C to +100 °C (intermittent 120 °C)  
 • -40 °C to +70 °C for water based fluids  
 • 0 °C to +70 °C hot air  
 • Prolonged operation at extreme temperatures will reduce hoses life

**Media:**  
Hydraulic fluids petroleum based (mineral oils), glycol-water based, water, lubricants

#	Hose Size		I.D.	R.O.D.	O.D.	Operating Pressure		Burst Pressure		Bend Radius	Weight	Length Per PCS	Ferrule	
Part Number	Dash Size	mm	inch	mm	mm	mm	bar	psi	bar	psi	mm	kgs/m	meter	DME Code
JDE 331105-05 BX	-04	4.8	3/16"	4.8-5.5	-	12.7-13.7	210	3045	840	12180	75	0.130	50/100	DPFR5-04
JDE 331105-06 BX	-05	6.4	1/4"	6.4-7.2	-	14.3-15.3	210	3045	840	12180	85	0.160	50/100	DPFR5-05
JDE 331105-08 BX	-06	7.9	5/16"	7.9-8.7	-	16.7-17.6	157	2276.5	628	9106	100	0.200	50/100	DPFR5-06
JDE 331105-11 BX	-08	10.3	13/32"	10.3-11.1	-	18.9-20.0	140	2030	560	8120	115	0.240	50/100	DPFR5-08
JDE 331105-12 BX	-10	12.7	1/2"	12.7-13.7	-	22.8-24.0	122	1769	488	7076	140	0.350	50/100	DPFR5-10
JDE 331105-16 BX	-12	15.9	5/8"	15.9-17.0	-	26.8-28.0	105	1522.5	420	6090	165	0.450	50/100	DPFR5-12
JDE 331105-22 BX	-16	22.2	7/8"	22.2-23.3	-	30.6-32.2	56	812	224	3248	185	0.400	50/100	DPFR5-16
JDE 331105-29 BX	-20	28.6	1-1/8"	28.6-29.8	-	37.3-38.9	43.0	623.5	172	2494	230	0.550	50	DPFR5-20
JDE 331105-35 BX	-24	34.9	1-3/8"	34.9-36.1	-	43.7-45.2	35.0	507.5	140	2030	265	0.700	50	DPFR5-24
JDE 331105-46 BX	-32	46.0	1-13/16"	46.0-47.2	-	55.2-57.6	24	348	96	1392	335	0.990	50	DPFR5-32

Marking / Layline (Printing, Ink, Embossed)



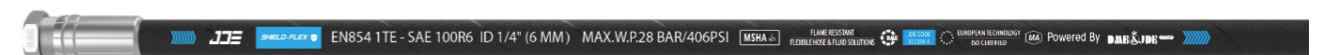
- Cover Type:** Textile fabrics
- Packing Type:** Roll, Pallet, Reel
- Outward Appearance:** ● Black



Powered by DME&JDE Group

#	Hose Size		I.D.	R.O.D.	O.D.	Operating Pressure		Burst Pressure		Bend Radius	Weight	Length Per PCS	Ferrule	
Part Number	Dash Size	mm	inch	mm	mm	mm	bar	psi	bar	psi	mm	kgs/m	meter	DME Code
JDE 311106-05	-03	4.8	3/16"	4.4-5.2	-	10.3-11.9	35	507.5	140	2030	50	0.100	50/100	PUSH-ON-R6/1TE-03
JDE 311106-06	-04	6.4	1/4"	5.9-6.9	-	11.9-13.5	28	406.0	112	1624	65	0.156	50/100	PUSH-ON-R6/1TE-04
JDE 311106-08	-05	8.0	5/16"	7.4-8.4	-	13.5-15.1	28	406.0	112	1624	75	0.178	50/100	PUSH-ON-R6/1TE-05
JDE 311106-10	-06	9.5	3/8"	9.0-10.0	-	15.1-16.7	28	406.0	112	1624	75	0.202	50/100	PUSH-ON-R6/1TE-06
JDE 311106-12	-08	12.7	1/2"	12.1-13.3	-	17.7-19.7	28	406.0	112	1624	100	0.280	50/100	PUSH-ON-R6/1TE-08
JDE 311106-16	-10	16.0	5/8"	15.3-16.5	-	22.2-23.8	24	348	96	1392	125	0.330	50/100	PUSH-ON-R6/1TE-10
JDE 311106-19	-12	19.0	3/4"	18.2-19.8	-	25.4-27.8	21	304.5	84	1218	150	0.460	50/100	PUSH-ON-R6/1TE-12
JDE 311106-25	-16	25.4	1"	24.6-26.2	-	32.2-34.6	12	174.0	48	696	155.0	0.590	50/100	PUSH-ON-R6/1TE-16

Marking / Layline (Printing, Ink, Embossed)



- Cover Type:** Wrapped
- Packing Type:** Roll, Pallet, Reel
- Outward Appearance:** ● Black ● Red ● Green ● Blue



Powered by DME&JDE Group



# R6CT Textile Braided Hydraulic Hose



Applicable Specs:  
■ OIL HOSE ITB

Italy Technology Equipment

Product Series:



New-Standard



Ultra Soft & Flexible



**Internal hose:**  
Synthetic rubber, extruded whole without joints, of uniform thickness

**Reinforcement:**  
1 layer of textile braid

**Covering:**  
Black Color textile braided cover

**Fittings:**  
Ferrule: No-skive Type PUSH-ON-R6/1TE •  
Insert: PUSH-ON-R6/1TE (X: Can choose) •  
Certificate: MSHA & BV & GOST & IATF 16949 •  
& ISO 9001 & ISO 14001 & ISO 45001 •  
& DAKKS & SGS & MA & DEKRA Approved



**Working Pressure:**  
12-20 Bar/174-290 PSI

**Temperature:**  
• -40 °C to +100 °C (intermittent 120 °C)  
• -40 °C to +70 °C for water based fluids  
• 0 °C to +70 °C hot air  
• Prolonged operation at extreme temperatures will reduce hoses life

**Media:**  
Hose designed for oil delivery

# SAE R7 Black color – Polyester elastomer. (Composite tube)

Applicable Specs:  
■ SAE J517 R7 ■ ISO 3949 R7

Italy Technology Equipment

Product Series:



New-Standard



**Internal hose:**  
PA (polyamide)

**Reinforcement:**  
1 layer of textile braid

**Covering:**  
PU (Polyurethane), black

**Fittings:**  
Ferrule: No-skive Type DPF7 •  
Insert: DPXR7-XX (X: Can choose) •  
Certificate: MSHA & BV & GOST & IATF 16949 •  
& ISO 9001 & ISO 14001 & ISO 45001 •  
& DAKKS & SGS & MA & DEKRA Approved



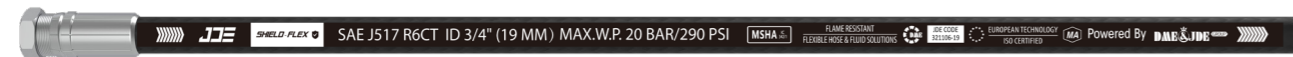
**Working Pressure:**  
70-230 Bar/1015-3336PSI

**Temperature:**  
• -40 °C to +100 °C (intermittent 110 °C)  
• -40 °C to +70 °C for water based fluids  
• Prolonged operation at extreme temperatures will reduce hoses life

**Media:**  
Petroleum, synthetic or water based fluids in Hydraulic systems

#	Hose Size		I.D.	R.O.D.	O.D.	Operating Pressure		Burst Pressure		Bend Radius	Weight	Length Per PCS	Ferrule
Part Number	Dash Size	mm	inch	mm	mm	bar	psi	bar	psi	mm	kgs/m	meter	DME Code
JDE 331106-05	-03	4.8	3/16"	4.4-5.2	-	10.0-11.6	20 290	80 1160	50	0.100	50/100	PUSH-ON-R6/1TE-03	
JDE 331106-06	-04	6.4	1/4"	5.9-6.9	-	11.6-13.5	20 290	80 1160	65	0.110	50/100	PUSH-ON-R6/1TE-04	
JDE 331106-08	-05	8.0	5/16"	7.4-8.4	-	13.1-15.1	20 290	80 1160	75	0.130	50/100	PUSH-ON-R6/1TE-05	
JDE 331106-10	-06	9.5	3/8"	9.0-10.0	-	14.7-16.7	20 290	80 1160	75	0.160	50/100	PUSH-ON-R6/1TE-06	
JDE 331106-12	-08	12.7	1/2"	12.1-13.3	-	17.7-20.6	20 290	80 1160	100	0.220	50/100	PUSH-ON-R6/1TE-08	
JDE 331106-16	-10	16.0	5/8"	15.3-16.5	-	21.9-23.9	20 290	80 1160	125	0.270	50/100	PUSH-ON-R6/1TE-10	
JDE 331106-19	-12	19.0	3/4"	18.2-19.8	-	25.4-27.8	20 290	80 1160	150	0.330	50/100	PUSH-ON-R6/1TE-12	
JDE 331106-25	-16	25.4	1"	24.6-26.2	-	32.8-35.9	12.0 174	48 696	155	0.500	50/100	PUSH-ON-R6/1TE-16	

Marking / Layline (Printing, Ink, Embossed)



**Cover Type:**  
Textile fabrics

**Packing Type:**  
Roll, Pallet, Reel

**Outward Appearance:**  
● Black



Powered by DME&JDE Group

#	Hose Size		I.D.	R.O.D.	O.D.	Operating Pressure		Burst Pressure		Bend Radius	Weight	Length Per PCS	Ferrule
Part Number	Dash Size	mm	inch	mm	mm	bar	psi	bar	psi	mm	kgs/m	meter	DME Code
JDE 321107-03	3.2	1/8"	3.4-3.6	-	8.6 MAX	230 3336	920 13343	12	-	40-100	DPFR7-02		
JDE 321107-05	4.8	3/16"	4.9-5.1	-	10.1 MAX	210 3045	840 13183	30	-	40-100	DPFR7-03		
JDE 321107-06	6.0	1/4"	6.3-6.5	-	11.9 MAX	200 2901	800 11603	35	-	40-100	DPFR7-04		
JDE 321107-08	8.0	5/16"	7.9-8.1	-	14.4 MAX	190 2756	760 11023	45	-	40-100	DPFR7-05		
JDE 321107-10	10.0	3/8"	9.9-10.1	-	16.1 MAX	175 2538	700 10153	55	-	40-100	DPFR7-06		
JDE 321107-12	12.0	1/2"	12.9-13.1	-	20.4 MAX	140 2031	560 8122	75	-	40-100	DPFR7-08		
JDE 321107-16	16.0	5/8"	15.9-16.1	-	23.6 MAX	105 1523	420 6092	120	-	30-50	DPFR7-10		
JDE 321107-19	19.0	3/4"	18.9-19.1	-	26.6 MAX	90 1305	360 5221	145	-	30-50	DPFR7-12		
JDE 321107-25	25.0	1"	24.9-25.1	-	33.7 MAX	70 1015	280 4061	200	-	30-50	DPFR7-16		

Marking / Layline (Printing, Ink, Embossed)



**Cover Type:**  
Smooth

**Packing Type:**  
Roll, Pallet, Reel

**Outward Appearance:**  
● Black ● Red ● Gray ● Yellow ● Green ● Blue



Powered by DME&JDE Group

## R7 Non-C Type (Non-Conductive Hose, Orange Color)

Applicable Specs:

- Meets SAE J517 electrical standards (non-conductivity) | Meets/Exceeds SAE J517 100R7
- ANSI A92.2 | ISO 3949-R7-2

Applications:



Italy Technology Equipment

Product Series:



New-Standard

**Internal hose:**  
Polyester elastomer (composite tube)

**Reinforcement:**  
1 layer of textile braid (But 5/8" use 2 layers of textile braid)

**Covering:**  
Polyurethane in orange color

**Fittings:**  
 Ferrule: Type DPFR7 •  
 Insert: DPXR7-XX (X: Can choose) •  
 Certificate: MSHA & BV & GOST & IATF 16949 •  
 & ISO 9001 & ISO 14001 & ISO 45001 •  
 & DAKKS & SGS & MA & DEKRA Approved

**Working Pressure:**  
70–224 Bar / 1015–3248 PSI

**Temperature:**  
• -40 °C to +100 °C

**Media:**  
Designed specifically for the rigors of the aerial lift market including the highest level of non-conductivity, abrasion and permeation resistance.

#	Hose Size			I.D.	R.O.D.	O.D.	Operating Pressure		Burst Pressure		Bend Radius	Weight	Length Per PCS	Ferrule
Part Number	Dash Size	mm	inch	mm	mm	mm	bar	psi	bar	psi	mm	kgs/m	meter	DME Code
JDE 328107-03 Non-C Type	-02	3.3	1/8"	3.4-3.6	-	8.5	224	3248	689	9991	19	-	90-110	DPFR7-02
JDE 328107-05 Non-C Type	-03	4.8	3/16"	4.9-5.1	-	10.8	224	3248	828	12006	19	-	90-110	DPFR7-03
JDE 328107-06 Non-C Type	-04	6.4	1/4"	6.3-6.5	-	13.0	210	3045	828	12006	38	-	90-110	DPFR7-04
JDE 328107-08 Non-C Type	-05	8.0	5/16"	7.9-8.1	-	15.1	175	2538	689	9991	44	-	90-110	DPFR7-05
JDE 328107-10 Non-C Type	-06	9.6	3/8"	9.9-10.1	-	17.0	158	2291	621	9005	51	-	90-110	DPFR7-06
JDE 328107-13 Non-C Type	-08	12.7	1/2"	12.9-13.1	-	20.7	158	2291	552	8004	76	-	90-110	DPFR7-08
JDE 328107-16 Non-C Type	-10	16.0	5/8"	15.9-16.1	-	25.0	192	2784	552	8004	152	-	45-55	DPFR7-10
JDE 328107-19 Non-C Type	-12	19.0	3/4"	18.9-19.1	-	26.0	88	1276	460	6670	127	-	45-55	DPFR7-12
JDE 328107-25 Non-C Type	-16	25.0	1"	24.9-25.1	-	32.0	70	1015	276	4002	203	-	45-55	DPFR7-16

Marking / Layline (Printing, Ink, Embossed)



- Cover Type: Smooth
- Packing Type: Roll, Pallet, Reel
- Outward Appearance: Orange



Powered by DME&JDE Group

## R9 Wire Spiral Hydraulic Hose



Applicable Specs:

- SAE 100R9 / EN 856 R9 | TS 10548 | ISO 1307 | ISO 3862 R9

Applications:



American Technology Equipment

Product Series:



New-Standard

**Internal hose:**  
Synthetic rubber, extruded whole without joints, of uniform thickness

**Reinforcement:**  
4 layers of steel wire spiral

**Covering:**  
Anti-abrasive synthetic rubber, resistant to oils, fuels and atmospheric conditions

**Fittings:**  
 Ferrule: No-skive Type DPF4T •  
 Insert: DPX4XX (X: Can choose) •  
 U.S MSHA Approver & CHN MA Approver •

**Working Pressure:**  
172–276 Bar / 2494–4002 PSI

**Impulse times:**  
≥ 500,000 Times

**Temperature:**  
 • -40 °C to +100 °C (intermittent 120 °C)  
 • -40 °C to +70 °C for water based fluids  
 • 0 °C to +70 °C hot air  
 • Prolonged operation at extreme temperatures will reduce hoses life

**Media:**  
Hydraulic fluids petroleum based (mineral oils), glycol-water based, water, lubricants

#	Hose Size			I.D.	R.O.D.	O.D.	Operating Pressure		Burst Pressure		Bend Radius	Weight	Length Per PCS	Ferrule
Part Number	Dash Size	mm	inch	mm	mm	mm	bar	psi	bar	psi	mm	kgs/m	meter	DME Code
JDE 311109-10	-06	9.5	3/8"	9.3-10.1	16.6-17.8	19.5-21.0	276	4002	1104	16008	130	0.700	20/40	DPF4T-06
JDE 311109-12	-08	12.7	1/2"	12.3-13.5	19.9-21.5	23.0-24.6	276	4002	1104	16008	180	0.800	20/40	DPF4T-08
JDE 311109-16	-10	16.0	5/8"	15.5-16.7	23.8-25.4	26.6-28.8	276	4002	1104	16008	200	0.975	20/40	DPF4T-10
JDE 311109-19	-12	19.0	3/4"	18.6-19.8	26.9-28.4	29.9-31.5	276	4002	1104	16008	240	1.450	20/40	DPF4T-12
JDE 311109-25	-16	25.4	1"	25.0-26.4	34.1-35.7	36.8-39.2	276	4002	1104	16008	300	2.050	20/40	DPF4T-16
JDE 311109-32	-20	31.8	1-1/4"	31.4-33.0	42.7-45.1	45.4-48.6	207	3001.5	828	12006	420	3.060	20/40	DPF4T-20
JDE 311109-38	-24	38.1	1-1/2"	37.7-39.3	49.2-51.6	51.9-55.0	172	2494	688	9976	500	3.650	20/40	DPF4T-24
JDE 311109-51	-32	50.8	2"	50.4-52.0	62.5-64.8	65.1-68.3	172	2494	688	9976	630	4.850	20/40	DPF4T-32

Marking / Layline (Printing, Ink, Embossed)



- Cover Type: Wrapped
- Packing Type: Roll, Pallet, Reel
- Outward Appearance: Black



Powered by DME&JDE Group



# R12 Wire Spiral Hydraulic Hose



Applicable Specs:

- SAE 100R12 / EN 856 R12
- TS 10548
- ISO 1307
- ISO 3862 R12

Applications:



American Technology Equipment

Product Series:



New-Standard

**Internal hose:**  
Synthetic rubber, extruded whole without joints, of uniform thickness

**Reinforcement:**  
4 layers of steel wire spiral

**Covering:**  
Anti-abrasive synthetic rubber, resistant to oils, fuels and atmospheric conditions

**Fittings:**

- Ferrule: No-skive Type DPF4T
- Insert: DPX4XX (X: Can choose)
- Certificate: MSHA & BV & GOST & IATF 16949 & ISO 9001 & ISO 14001 & ISO 45001 & DAKKS & SGS & MA & DEKRA Approved



**Working Pressure:**  
172–276 Bar / 2494–4002 PSI

**Impulse times:**  
≥ 500,000 Times

**Temperature:**

- 40 °C to +100 °C (intermittent 120 °C)
- 40 °C to +70 °C for water based fluids
- 0 °C to +70 °C hot air
- Prolonged operation at extreme temperatures will reduce hoses life

**Media:**

Hydraulic fluids petroleum based (mineral oils), glycol-water based, water, lubricants

# R13 Wire Spiral Hydraulic Hose



Applicable Specs:

- SAE 100R13
- TS 10548 / PG-G-32010
- ISO 1307
- EN 1804-3 / ISO 13463-1
- ISO 3862 R13

Applications:



American Technology Equipment

Product Series:



New-Standard

**Internal hose:**  
Synthetic rubber, extruded whole without joints, of uniform thickness

**Reinforcement:**  
4 layers of high tensile steel wire spiral up to size 1", 6 layers of spiral from size 1-1/4" to 2"

**Covering:**  
Anti-abrasive synthetic rubber, resistant to oils, fuels and atmospheric conditions

**Fittings:**

- Ferrule: No-skive Type DPF13
- Insert: DPXR13-XX (X: Can choose)
- Certificate: MSHA & BV & GOST & IATF 16949 & ISO 9001 & ISO 14001 & ISO 45001 & DAKKS & SGS & MA & DEKRA Approved



**Working Pressure:**  
350 Bar / 5075 PSI

**Impulse times:**  
≥ 500,000 Times

**Temperature:**

- 40 °C to +100 °C (intermittent 120 °C)
- 40 °C to +70 °C for water based fluids
- 0 °C to +70 °C hot air
- Prolonged operation at extreme temperatures will reduce hoses life

**Media:**

Hydraulic fluids petroleum based (mineral oils), glycol-water based, water, lubricants

#	Hose Size		I.D.	R.O.D.	O.D.	Operating Pressure		Burst Pressure		Bend Radius	Weight	Length Per PCS	Ferrule	
Part Number	Dash Size	mm	inch	mm	mm	bar	psi	bar	psi	mm	kgs/m	meter	DME Code	
JDE 311112-10	-06	9.5	3/8"	9.3-10.1	16.6-17.8	19.5-21.0	280	4060	1120	16240	125	0.700	20/40	DPF4T-06
JDE 311112-12	-08	12.7	1/2"	12.3-13.5	19.9-21.5	23.0-24.6	280	4060	1120	16240	180	0.800	20/40	DPF4T-08
JDE 311112-16	-10	16.0	5/8"	15.5-16.7	23.8-25.4	26.6-28.8	280	4060	1120	16240	200	0.975	20/40	DPF4T-10
JDE 311112-19	-12	19.0	3/4"	18.6-19.8	26.9-28.4	29.9-31.5	280	4060	1120	16240	240	1.450	20/40	DPF4T-12
JDE 311112-25	-16	25.4	1"	25.0-26.4	34.1-35.7	36.8-39.2	280	4060	1120	16240	300	2.050	20/40	DPF4T-16
JDE 311112-32	-20	31.8	1-1/4"	31.4-33.0	42.7-45.1	45.4-48.6	210	3045	840	12180	420	3.060	20/40	DPF4T-20
JDE 311112-38	-24	38.1	1-1/2"	37.7-39.3	49.2-51.6	51.9-55.0	175	2538	700	10150	500	3.650	20/40	DPF4T-24
JDE 311112-51	-32	50.8	2"	50.4-52.0	62.5-64.8	65.1-68.3	175	2538	700	10150	630	4.850	20/40	DPF4T-32

Marking / Layline (Printing, Ink, Embossed)



**Cover Type:**  
Wrapped

**Packing Type:**  
Roll, Pallet, Reel

**Outward Appearance:**  
● Black



Powered by DME&JDE Group

#	Hose Size		I.D.	R.O.D.	O.D.	Operating Pressure		Burst Pressure		Bend Radius	Weight	Length Per PCS	Ferrule	
Part Number	Dash Size	mm	inch	mm	mm	bar	psi	bar	psi	mm	kgs/m	meter	DME Code	
JDE 311113-19	-12	19.0	3/4"	18.6-19.8	28.2-29.8	31.0-33.2	350	5075	1400	20300	240	1.450	20/40	DPFR13-12
JDE 311113-25	-16	25.4	1"	25.0-26.4	34.9-36.4	37.6-39.8	350	5075	1400	20300	300	2.050	20/40	DPFR13-16
JDE 311113-32	-20	31.8	1-1/4"	31.4-33.0	45.6-48.0	48.3-51.3	350	5075	1400	20300	420	3.950	20/40	DPFR13-20
JDE 311113-38	-24	38.1	1-1/2"	37.7-39.3	53.1-55.5	55.8-58.8	350	5075	1400	20300	500	5.250	20/40	DPFR13-24
JDE 311113-51	-32	50.8	2"	50.4-52.0	66.9-69.3	69.5-72.7	350	5075	1400	20300	640	6.600	20/40	DPFR13-32

Marking / Layline (Printing, Ink, Embossed)



**Cover Type:**  
Wrapped

**Packing Type:**  
Roll, Pallet, Reel

**Outward Appearance:**  
● Black



Powered by DME&JDE Group

# R15 Wire Spiral Hydraulic Hose



Applicable Specs:

- SAE 100R15
- ISO 1307
- ISO 3862 R15

Applications:



**American Technology Equipment**

Product Series:

**SHIELD FLEX**

New-Standard

**Internal hose:**  
Synthetic rubber, extruded whole without joints, of uniform thickness

**Reinforcement:**  
4 layers of high tensile steel wire spiral up to size 1", 6 layers of spiral from size 1-1/4" to 2"

**Covering:**  
Anti-abrasive synthetic rubber, resistant to oils, fuels and atmospheric conditions

**Fittings:**  
Ferrule: No-skive Type DPFR15 • Insert: DPXR15-XX (X: Can choose) • Certificate: MSHA & BV & GOST & IATF 16949 & ISO 9001 & ISO 14001 & ISO 45001 & DAKKS & SGS & MA & DEKRA Approved

**Working Pressure:**  
420 Bar / 6090 PSI

**Impulse times:**  
≥ 500,000 Times

**Temperature:**  
• -40 °C to +100 °C (intermittent 120 °C)  
• -40 °C to +70 °C for water based fluids  
• 0 °C to +70 °C hot air  
• Prolonged operation at extreme temperatures will reduce hoses life

**Media:**  
Mineral and biological oils, glycol-water based, water, lubricants

#	Hose Size		I.D.	R.O.D.	O.D.	Operating Pressure	Burst Pressure	Bend Radius	Weight	Length Per PCS	Ferrule			
Part Number	Dash Size	mm	inch	mm	mm	mm	bar	psi	bar	psi	mm	kgs/m	meter	DME Code
JDE 311115-10	-06	9.3	3/8"	9.3-10.1	20.3 MAX	23.3 MAX	420	6090	1680	24360	150	0.800	20/40	DPFR15-06
JDE 311115-12	-08	12.3	1/2"	12.3-13.5	24.0 MAX	26.8 MAX	420	6090	1680	24360	200	0.900	20/40	DPFR15-08
JDE 311115-19	-12	19.0	3/4"	18.6-19.8	32.9 MAX	36.1 MAX	420	6090	1680	24360	265	1.600	20/40	DPFR15-12
JDE 311115-25	-16	25.4	1"	25.0-26.4	38.9 MAX	42.9 MAX	420	6090	1680	24360	330	2.250	20/40	DPFR15-16
JDE 311115-32	-20	31.8	1-1/4"	31.4-33.0	48.4 MAX	51.5 MAX	420	6090	1680	24360	445	3.950	20/40	DPFR15-20
JDE 311115-38	-24	38.1	1-1/2"	37.7-39.3	56.3 MAX	59.6 MAX	420	6090	1680	24360	530	5.250	20/40	DPFR15-24
JDE 311115-51	-32	50.8	2"	37.7-39.3	-	-	420	6090	1680	24360	-	6.600	20/40	DPFR15-32

Marking / Layline (Printing, Ink, Embossed)



**Cover Type:**  
Wrapped

**Packing Type:**  
Roll, Pallet, Reel

**Outward Appearance:**  
● Black

**Certificate:** ISO 9001, ISO 45001, ISO 14001, MSHA, DAKKS, DEKRA, SGS, DIN, SE, MA, WSF

# R16 Wire Braided Hydraulic Hose

Applicable Specs:

- SAE 100R16
- ISO 11237-1 R16
- ISO 1307

Applications:



**German Technology Equipment**

Product Series:

**DEFT FLEX**

Ultra Soft & Flexible

**Internal hose:**  
Synthetic rubber, extruded whole without joints, of uniform thickness

**Reinforcement:**  
2 layers of steel wire braid

**Covering:**  
Anti-abrasive synthetic rubber, resistant to oils, fuels and atmospheric conditions

**Fittings:**  
Ferrule: No-skive Type DPF2T • Insert: DPX2XX (X: Can choose) • Certificate: MSHA & BV & GOST & IATF 16949 & ISO 9001 & ISO 14001 & ISO 45001 & DAKKS & SGS & MA & DEKRA Approved

**Working Pressure:**  
125-400 Bar / 1812.5-5800 PSI

**Impulse times:**  
≥ 200,000 Times

**Temperature:**  
• -40 °C to +120 °C (intermittent 125 °C)  
• -40 °C to +70 °C for water based fluids  
• 0 °C to +70 °C hot air  
• Prolonged operation at extreme temperatures will reduce hoses life

**Media:**  
Mineral and biological oils, glycol-water based, water, lubricants

#	Hose Size		I.D.	R.O.D.	O.D.	Operating Pressure	Burst Pressure	Bend Radius	Weight	Length Per PCS	Ferrule			
Part Number	Dash Size	mm	inch	mm	mm	mm	bar	psi	bar	psi	mm	kgs/m	meter	DME Code
DEF 311116-06	-04	6.4	1/4"	6.2-7.0	12.3 MAX.	14.5 MAX.	400	5800	1600	23200	50	0.290	50/100	DPF2T-04
DEF 311116-08	-05	8.0	5/16"	7.7-8.5	13.3 MAX.	15.7 MAX.	350	5075	1400	20300	55	0.330	50/100	DPF2T-05
DEF 311116-10	-06	9.5	3/8"	9.3-10.1	15.9 MAX.	18.8 MAX.	330	4785	1320	19140	65	0.420	50/100	DPF2T-06
DEF 311116-12	-08	12.7	1/2"	12.3-13.5	19.0 MAX.	22.0 MAX.	275	3987.5	1100	15950	90	0.550	50/100	DPF2T-08
DEF 311116-16	-10	16.0	5/8"	15.5-16.7	22.6 MAX.	25.4 MAX.	250	3625	1000	14500	100	0.650	50/100	DPF2T-10
DEF 311116-19	-12	19.0	3/4"	18.6-19.8	26.3 MAX.	29.0 MAX.	215	3117.5	860	12470	120	0.790	50/100	DPF2T-12
DEF 311116-25	-16	25.4	1"	25.0-26.4	34.0 MAX.	36.6 MAX.	165	2392.5	660	9570	150	1.180	50/100	DPF2T-16
DEF 311116-32	-20	31.5	1-1/4"	31.4-33.0	41.9 MAX.	44.3 MAX.	125	1812.5	500	7250	210	1.800	40/50	DPF2T-20

Marking / Layline (Printing, Ink, Embossed)



**Cover Type:**  
Wrapped

**Packing Type:**  
Roll, Pallet, Reel

**Outward Appearance:**  
● Black

**Certificate:** ISO 9001, ISO 45001, ISO 14001, MSHA, DAKKS, DEKRA, SGS, DIN, SE, MA, WSF



# R17 Wire Braided Hydraulic Hose

Applicable Specs:  
 ■ SAE 100R17 ■ ISO 11237-1 R17 ■ ISO 1307



**German Technology Equipment**

Product Series:

Ultra Soft & Flexible

**Internal hose:**  
Synthetic rubber, extruded whole without joints, of uniform thickness

**Reinforcement:**  
1 layer of high tensile steel wire braid up to size 1/2", 2 layers of high tensile steel wire braid from size 5/8" onwards.

**Covering:**  
Anti-abrasive synthetic rubber, resistant to oils, fuels and atmospheric conditions

**Fittings:**  
 Ferrule: No-skive Type DPF2T •  
 Insert: DPX2XX or DPX1XX (X: Can choose) •  
 Certificate: MSHA & BV & GOST & IATF 16949 & ISO 9001 & ISO 14001 & ISO 45001 & DAKKS & SGS & MA & DEKRA Approved

**Working Pressure:**  
210 Bar / 3045 PSI

**Impulse times:**  
≥ 150,000 Times

**Temperature:**  
 • -40 °C to +100 °C (intermittent 120 °C)  
 • -40 °C to +70 °C for water based fluids  
 • 0 °C to +70 °C hot air  
 • Prolonged operation at extreme temperatures will reduce hoses life

**Media:**  
Mineral and biological oils, glycol-water based, water, lubricants

#	Hose Size		I.D.	R.O.D.	O.D.	Operating Pressure		Burst Pressure	Bend Radius	Weight	Length Per PCS	Ferrule		
	Dash Size	mm				inch	bar						psi	
DEF 311117-05	-03	4.6	3/16"	4.6-5.4	10.1 MAX.	11.6 MAX.	210	3045	840	12180	45	0.190	50/100	DPF2T-04
DEF 311117-06	-04	6.4	1/4"	6.2-7.0	11.0 MAX.	13.2 MAX.	210	3045	840	12180	50	0.220	50/100	DPF2T-04
DEF 311117-08	-05	8.0	5/16"	7.7-8.5	13.0 MAX.	15.0 MAX.	210	3045	840	12180	55	0.260	50/100	DPF2T-05
DEF 311117-10	-06	9.5	3/8"	9.3-10.1	15.0 MAX.	17.0 MAX.	210	3045	840	12180	65	0.320	50/100	DPF2T-06
DEF 311117-12	-08	12.7	1/2"	12.3-13.5	18.8 MAX.	21.1 MAX.	210	3045	840	12180	90	0.440	50/100	DPF2T-08
DEF 311117-16	-10	16.0	5/8"	15.5-16.7	23.6 MAX.	25.9 MAX.	210	3045	840	12180	100	0.640	50/100	DPF2T-10
DEF 311117-19	-12	19.0	3/4"	18.6-19.8	27.7 MAX.	30.3 MAX.	210	3045	840	12180	120	0.900	50/100	DPF2T-12
DEF 311117-25	-16	25.4	1"	25.0-26.4	35.6 MAX.	38.6 MAX.	210	3045	840	12180	150	1.250	50/100	DPF2T-16

Marking / Layline (Printing, Ink, Embossed)

SAE 100R17 ID:1/4"(6MM) MAX.W.P210BAR/3045PSI 3Q2019

Cover Type: Wrapped

Packing Type: Roll, Pallet, Reel

Outward Appearance: ●Black

Certificate: ISO 9001, ISO 14001, MSHA, DAKKS, DEKRA, DIN, SAE, MA, USF

Powered by DME&JDE Group

# R19 Wire Braided Hydraulic Hose

Applicable Specs:  
 ■ SAE 100R19



**German Technology Equipment**

Product Series:

Super Impulse & Pressure

**Internal hose:**  
Synthetic rubber, extruded whole without joints, of uniform thickness

**Reinforcement:**  
2 layers of steel wire braid

**Covering:**  
Anti-abrasive synthetic rubber, resistant to oils, fuels and atmospheric conditions

**Fittings:**  
 Ferrule: No-skive Type DPF2T •  
 Insert: DPX2XX (X: Can choose) •  
 Certificate: MSHA & BV & GOST & IATF 16949 & ISO 9001 & ISO 14001 & ISO 45001 & DAKKS & SGS & MA & DEKRA Approved

**Working Pressure:**  
280 Bar/4060 PSI

**Impulse times:**  
≥ 200,000 Times

**Temperature:**  
 • -40 °C to +100 °C (intermittent 120 °C)  
 • -40 °C to +70 °C for water based fluids  
 • 0 °C to +70 °C hot air  
 • Prolonged operation at extreme temperatures will reduce hoses life

**Media:**  
Mineral and biological oils, glycol-water based, water, lubricants

#	Hose Size		I.D.	R.O.D.	O.D.	Operating Pressure		Burst Pressure	Bend Radius	Weight	Length Per PCS	Ferrule		
	Dash Size	mm				inch	bar						psi	
EXA 311119-06	-04	6.4	1/4"	6.1-6.9	12.4 Max	14.4 Max	280	4060	1120	16240	100	0.290	50/100	DPF2T-04
EXA 311119-08	-05	8.0	5/16"	7.7-8.5	14.2 Max	16.3 Max	280	4060	1120	16240	115	0.330	50/100	DPF2T-05
EXA 311119-10	-06	9.5	3/8"	9.3-10.1	16.0 Max	18.0 Max	280	4060	1120	16240	125	0.420	50/100	DPF2T-06
EXA 311119-12	-08	12.7	1/2"	12.3-13.5	20.4 Max	22.6 Max	280	4060	1120	16240	180	0.550	50/100	DPF2T-08
EXA 311119-16	-10	16.0	5/8"	15.5-16.7	25.9 Max	27.5 Max	280	4060	1120	16240	205	0.650	50/100	DPF2T-10
EXA 311119-19	-12	19.0	3/4"	18.6-19.8	29.7 Max	32.5 Max	280	4060	1120	16240	240	0.790	50/100	DPF2T-12
EXA 311119-25	-16	25.4	1"	25.0-26.4	39.4 Max	39.4 Max	280	4060	1120	16240	300	1.180	50/100	DPF2T-16

Marking / Layline (Printing, Ink, Embossed)

SAE100R19 ID:1/4"(06MM)MAX.W.P280BAR/4060 PSI

Cover Type: Wrapped

Packing Type: Roll, Pallet, Reel

Outward Appearance: ●Black

Certificate: ISO 9001, ISO 14001, MSHA, DAKKS, DEKRA, DIN, SAE, MA, USF

Powered by DME&JDE Group



# BS EN 1360



Application



## FUEL HOSE 1SW



Applicable Specs:

- EN 1360 1W STEEL WIRE
- SAE J30



## FULE HOSE 2TW



Applicable Specs:

- EN 1360 2TW
- SAE J30 2T TEXTILE BRAID





# FUEL HOSE 1SW



Applicable Specs:  
 ■ EN 1360 1W STEEL WIRE ■ SAE J30

Applications:



**German Technology Equipment**

Product Series:

New-Standard

**Internal hose:**  
 Synthetic rubber resistant to petrol and diesel fuel, extruded whole without joints, of uniform thickness.  
 Anti-static electricity: R < 1MΩ

**Reinforcement:**  
 1 layer of steel wire braid

**Covering:**  
 Anti-abrasive synthetic rubber, resistant to oils, fuels and atmospheric conditions. Anti-static electricity: R < 1 MΩ

**Fittings:**  
 Ferrule: No-skive Type DPF2T •  
 Insert: DPX1XX (X: Can choose) •  
 Certificate: MSHA & BV & GOST & IATF 16949 •  
 & ISO 9001 & ISO 14001 & ISO 45001 •  
 & DAKKS & SGS & MA & DEKRA Approved



**Working Pressure:**  
 20 Bar / 290 PSI



**Temperature:**  
 • -40 °C to +100 °C  
 • Prolonged operation at extreme temperatures will reduce hoses life



**Media:**  
 Petrol and diesel fuel dispensing lines of pressure 290 PSI

#	Hose Size		I.D.	R.O.D.	O.D.	Operating Pressure		Burst Pressure		Bend Radius	Weight	Length Per PCS	Ferrule	
Part Number	Dash Size	mm	inch	mm	mm	bar	psi	bar	psi	mm	kgs/m	meter	DME Code	
JDE 421101-16	-10	16.0	5/8"	15.5-16.7	20.6-22.2	24.5 MAX.	20	290	80	1160	80	0.581	50/100	FUEL-10
JDE 421101-19	-12	19.0	3/4"	18.6-19.8	24.6-26.2	29.9 MAX.	20	290	80	1160	100	0.690	50/100	FUEL-12
JDE 421101-22	-13	22.0	7/8"	21.6-22.5	27.5-28.5	33.0 MAX.	20	290	80	1160	125	0.700	50/100	FUEL-13
JDE 421101-25	-16	25.4	1"	25.0-26.4	32.5-34.1	35.4 MAX.	20	290	80	1160	150	0.725	50/100	FUEL-16

Marking / Layline (Printing, Ink, Embossed)



**Cover Type:** Wrapped, Smooth  
**Packing Type:** Roll, Pallet, Reel  
**Outward Appearance:** ● Black ● Red ● Gray ● Yellow ● Green ● Blue



Powered by DME&JDE Group

# FULE HOSE 2TW



Applicable Specs:  
 ■ EN 1360 2TW ■ SAE J30 2T TEXTILE BRAID

Applications:



**Italy Technology Equipment**

Product Series:

New-Standard

**Internal hose:**  
 Synthetic rubber resistant to petrol and diesel fuel, extruded whole without joints, of uniform thickness.  
 Anti-static electricity: R < 1MΩ

**Reinforcement:**  
 2 layers of textile braid

**Covering:**  
 Anti-abrasive synthetic rubber, resistant to oils, fuels and atmospheric conditions. Anti-static electricity: R < 1 MΩ

**Fittings:**  
 Ferrule: No-skive Type DPF2T •  
 Insert: DPX1XX (X: Can choose) •  
 Certificate: MSHA & BV & GOST & IATF 16949 •  
 & ISO 9001 & ISO 14001 & ISO 45001 •  
 & DAKKS & SGS & MA & DEKRA Approved



**Working Pressure:**  
 20 Bar / 290 PSI



**Temperature:**  
 • -40 °C to +100 °C  
 • Prolonged operation at extreme temperatures will reduce hoses life



**Media:**  
 • Petrol and diesel fuel  
 • Petrol and diesel fuel dispensing lines of pressure 290 Psi

#	Hose Size		I.D.	R.O.D.	O.D.	Operating Pressure		Burst Pressure		Bend Radius	Weight	Length Per PCS	Ferrule	
Part Number	Dash Size	mm	inch	mm	mm	mm	bar	psi	bar	psi	mm	kgs/m	meter	DME Code
JDE 421102-12	-08	12.0	1/2"	12.3-13.5	-	22.3 MAX.	20	290	80	1160	60	0.390	50/100	FUEL-08
JDE 421102-16	-10	16.0	5/8"	15.5-16.7	-	24.5 MAX.	20	290	80	1160	80	0.400	50/100	FUEL-10
JDE 421102-19	-12	19.0	3/4"	18.6-19.8	-	29.9 MAX.	20	290	80	1160	100	0.450	50/100	FUEL-12
JDE 421102-22	-13	22.0	7/8"	21.6-22.5	-	33.0 MAX.	20	290	80	1160	125	0.570	50/100	FUEL-13
JDE 421102-25	-16	25.4	1"	25.0-26.4	-	35.4 MAX.	20	290	80	1160	150	0.590	50/100	FUEL-16

Marking / Layline (Printing, Ink, Embossed)



**Cover Type:** Wrapped, Smooth  
**Packing Type:** Roll, Pallet, Reel  
**Outward Appearance:** ● Black ● Red ● Gray ● Yellow ● Green ● Blue



Powered by DME&JDE Group



# BS EN 1762



Application



## 1SW



Applicable Specs:

- EN 1762:TYPE-D



## LPG Hoses 1SW Wire Braided LPG Hose



Applicable Specs:

- EN 1762:TYPE-D

Applications:



German Technology Equipment

Product Series:



New-Standard

**Internal hose:**  
1.Synthetic rubber, extruded whole without joints, of uniform thickness

**Reinforcement:**  
1 layer of steel wire braid

**Covering:**  
Anti-abrasive synthetic rubber, resistant to oils, fuels and atmospheric conditions

**Fittings:**  
Ferrule: LPG-XX  
Insert: DPX1XX (X: Can choose)  
Certificate: MSHA & BV & GOST & IATF 16949 & ISO 9001 & ISO 14001 & ISO 45001 & DAKKS & SGS & MA & DEKRA Approved

**Working Pressure:**  
25 Bar / 362.5 PSI

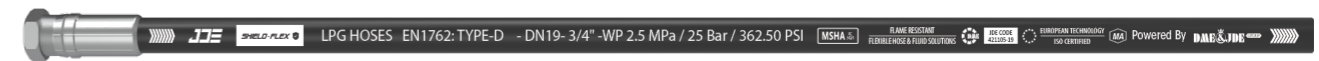
**Temperature:**  
• -40 °C to +100 °C (intermittent 120 °C)  
• -40 °C to +70 °C for water based fluids  
• 0 °C to +70 °C hot air  
• Prolonged operation at extreme temperatures will reduce hoses life

**Media:**  
Mineral and biological oils, glycol-water based, water, lubricants



#	Hose Size		I.D.	R.O.D.	O.D.	Operating Pressure		Burst Pressure		Bend Radius	Weight	Length Per PCS	Ferrule	
I.D.	Dash Size	mm	inch	mm	mm	bar	psi	bar	psi	mm	kgs/m	meter	DME Code	
JDE 421105-10	-06	9.5	3/8"	9.3-10.1	-	18.8 MAX.	25	362.5	100	1450	90	0.390	50/100	LPG-06
JDE 421105-12	-08	12.7	1/2"	12.3-13.5	-	22.7 MAX.	25	362.5	100	1450	100	0.472	50/100	LPG-08
JDE 421105-16	-10	16.0	5/8"	15.5-16.7	-	25.9 MAX.	25	362.5	100	1450	125	0.581	50/100	LPG-10
JDE 421105-19	-12	19.0	3/4"	18.6-19.8	-	31.0 MAX.	25	362.5	100	1450	160	0.690	50/100	LPG-12
JDE 421105-25	-16	25.4	1"	25.0-26.4	-	38.0 MAX.	25	362.5	100	1450	200	0.830	50/100	LPG-16
JDE 421105-32	-20	31.8	1-1/4"	31.4-33.0	-	45.0 MAX.	25	362.5	100	1450	250	1.325	20/40	LPG-20
JDE 421105-38	-24	38.1	1-1/2"	37.7-39.3	-	52.1 MAX.	25	362.5	100	1450	320	1.500	20/40	LPG-24
JDE 421105-51	-32	50.8	2"	50.4-52.0	-	66.0 MAX.	25	362.5	100	1450	400	1.875	20/40	LPG-32

Marking / Layline (Printing, Ink, Embossed)



**Cover Type:**  
Wrapped, Smooth

**Packing Type:**  
Roll, Pallet, Reel

**Outward Appearance:**  
● Black







# ISO 1436



## Application



### 1SN




**Applicable Specs:**

- DIN EN853 1SN
- EXCEEDS SAE 100R1A
- ISO 1436:2009
- TS 6387 EN 853 1SN
- ISO 1307 / EN 1804-3
- ISO 6805 / EN 13463-1

### 1ST




**Applicable Specs:**

- DIN EN 853 1ST
- EXCEEDS SAE 100R1A
- ISO 1436:2009
- TS 6387
- ISO 1307 / EN 1804-3
- ISO 6805 / EN 13463-1

### 2SN




**Applicable Specs:**

- DIN EN 853 2SN
- EXCEEDS SAE 100R2AT
- ISO 1436:2009
- ISO 1307
- PN-EN ISO 8030 / PN-EN 13463
- PN-EN 1804-3+A1 / PN-EN ISO 4413
- ISO 6805 / EN 13463
- PN-G 32010

### 2ST




**Applicable Specs:**

- DIN EN853 2ST
- EXCEEDS SAE 100R2A
- ISO 1436:2009
- ISO 1307
- PN-EN ISO 8030 / PN-EN 13463
- PN-EN 1804-3+A1 / PN-EN ISO 4413
- ISO 6805 / EN 13463
- PN-G 32010

# 1SN Wire Braided Hydraulic Hose

Applicable Specs:

- DIN EN853 1SN ■ EXCEEDS SAE 100RIAT ■ ISO 1436:2009 ■ TS 6387 EN 853 1SN
- ISO 1307 / EN 1804-3 ■ ISO 6805 / EN 13463-1

Applications:



**German Technology Equipment**

Product Series:

**SHIELD FLEX**

New-Standard

- Internal hose:** Synthetic rubber, extruded whole without joints, of uniform thickness
- Reinforcement:** 1 layer of steel wire braid
- Covering:** Anti-abrasive synthetic rubber, resistant to oils, fuels and atmospheric conditions
- Fittings:**
  - Ferrule: No-skive Type DPF2T
  - Insert: DPX1XX (X: Can choose)
  - Certificate: MSHA & BV & GOST & IATF 16949 & ISO 9001 & ISO 14001 & ISO 45001 & DAKKS & SGS & MA & DEKRA Approved



- Working Pressure:** 40–250 Bar / 580–3625 PSI
- Impulse times:** ≥ 150,000 times
- Temperature:**
  - -40 °C to +100 °C (intermittent 120 °C)
  - -40 °C to +70 °C for water based fluids
  - 0 °C to +70 °C hot air
  - Prolonged operation at extreme temperatures will reduce hoses life
- Media:** Mineral and biological oils, glycol-water based, water, lubricants

#	Hose Size		I.D.	R.O.D.	O.D.	Operating Pressure		Burst Pressure		Bend Radius	Weight	Length Per PCS	Ferrule	
Part Number	Dash Size	mm	inch	mm	mm	bar	psi	bar	psi	mm	kgs/m	meter	DME Code	
JDE 211101-05	-03	4.8	3/16"	4.6-5.4	9.0-10.0	12.5 MAX.	250	3625	1000	14500	90	0.240	50/100	DPF2T-03
JDE 211101-06	-04	6.4	1/4"	6.2-7.0	10.6-11.6	14.1 MAX.	225	3262.5	900	13050	100	0.255	50/100	DPF2T-04
JDE 211101-08	-05	8.0	5/16"	7.7-8.5	12.1-13.3	15.7 MAX.	215	3117.5	860	12470	115	0.304	50/100	DPF2T-05
JDE 211101-10	-06	9.5	3/8"	9.3-10.1	14.5-15.7	18.1 MAX.	180	2610	720	10440	130	0.390	50/100	DPF2T-06
JDE 211101-12	-08	12.7	1/2"	12.3-13.5	17.5-19.1	21.4 MAX.	160	2320	640	9280	180	0.472	50/100	DPF2T-08
JDE 211101-16	-10	16.0	5/8"	15.5-16.7	20.6-22.2	24.5 MAX.	130	1885	520	7540	200	0.581	50/100	DPF2T-10
JDE 211101-19	-12	19.0	3/4"	18.6-19.8	24.6-26.2	28.5 MAX.	105	1522.5	420	6090	240	0.690	50/100	DPF2T-12
JDE 211101-25	-16	25.4	1"	25.0-26.4	32.5-34.1	36.6 MAX.	88	1276	352	5104	300	0.830	50/100	DPF2T-16
JDE 211101-32	-20	31.8	1-1/4"	31.4-33.0	39.3-41.7	44.8 MAX.	63	913.5	252	3654	420	1.325	20/40	DPF2T-20
JDE 211101-38	-24	38.1	1-1/2"	37.7-39.3	45.6-48.0	52.1 MAX.	50	725	200	2900	500	1.500	20/40	DPF2T-24
JDE 211101-51	-32	50.8	2"	50.4-52.0	58.7-61.7	65.5 MAX.	40	580	160	2320	630	1.875	20/40	DPF2T-32

Marking / Layline (Printing, Ink, Embossed)

EN853 1SN EXCEEDS SAE 100RIAT ID: 1/4" (6MM) MAX.W.P. 225BAR/ 3265PSI

Cover Type: Wrapped

Packing Type: Roll, Pallet, Reel

Outward Appearance: Black

Certificate: ISO 9001, ISO 14001, MSHA, DAKKS, DEKRA, DIN, SAE, MA, USF

# 1ST Wire Braided Hydraulic Hose

Applicable Specs:

- DIN EN 853 1ST ■ EXCEEDS SAE 100RIA ■ ISO 1436:2009 ■ TS 6387
- ISO 1307 / EN 1804-3 ■ ISO 6805 / EN 13463-1

Applications:



**German Technology Equipment**

Product Series:

**SHIELD FLEX**

New-Standard

- Internal hose:** Synthetic rubber, extruded whole without joints, of uniform thickness
- Reinforcement:** 1 layer of steel wire braid
- Covering:** Anti-abrasive synthetic rubber, resistant to oils, fuels and atmospheric conditions
- Fittings:**
  - Ferrule: No-skive Type DPF2T
  - Insert: DPX1XX (X: Can choose)
  - Certificate: MSHA & BV & GOST & IATF 16949 & ISO 9001 & ISO 14001 & ISO 45001 & DAKKS & SGS & MA & DEKRA Approved



- Working Pressure:** 40–250 Bar / 580–3625 PSI
- Impulse times:** ≥ 150,000 times
- Temperature:**
  - -40 °C to +100 °C (intermittent 120 °C)
  - -40 °C to +70 °C for water based fluids
  - 0 °C to +70 °C hot air
  - Prolonged operation at extreme temperatures will reduce hoses life
- Media:** Mineral and biological oils, glycol-water based, water, lubricants

#	Hose Size		I.D.	R.O.D.	O.D.	Operating Pressure		Burst Pressure		Bend Radius	Weight	Length Per PCS	Ferrule	
Part Number	Dash Size	mm	inch	mm	mm	mm	bar	psi	bar	psi	mm	kgs/m	meter	DME Code
JDE 211211-05	-03	4.8	3/16"	4.6-5.4	9.0-10.0	11.9-13.5	250	3625	1000	14500	90	0.264	50/100	DPF2T-03
JDE 211211-06	-04	6.4	1/4"	6.2-7.0	10.6-11.6	15.1-16.7	225	3262.5	900	13050	100	0.281	50/100	DPF2T-04
JDE 211211-08	-05	8.0	5/16"	7.7-8.5	12.1-13.3	16.7-18.3	215	3117.5	860	12470	115	0.334	50/100	DPF2T-05
JDE 211211-10	-06	9.5	3/8"	9.3-10.1	14.5-15.7	19.0-20.6	180	2610	720	10440	130	0.429	50/100	DPF2T-06
JDE 211211-12	-08	12.7	1/2"	12.3-13.5	17.5-19.1	22.2-23.8	160	2320	640	9280	180	0.519	50/100	DPF2T-08
JDE 211211-16	-10	16.0	5/8"	15.5-16.7	20.6-22.2	25.4-27.0	130	1885	520	7540	200	0.639	50/100	DPF2T-10
JDE 211211-19	-12	19.0	3/4"	18.6-19.8	24.6-26.2	29.4-31.0	105	1522.5	420	6090	240	0.759	50/100	DPF2T-12
JDE 211211-25	-16	25.4	1"	25.0-26.4	32.5-34.1	37.1-39.1	88	1276	352	5104	300	0.913	50/100	DPF2T-16
JDE 211211-32	-20	31.8	1-1/4"	31.4-33.0	39.3-41.7	44.4-47.6	63	913.5	252	3654	420	1.458	20/40	DPF2T-20
JDE 211211-38	-24	38.1	1-1/2"	37.7-39.3	45.6-48.0	50.8-54.0	50	725	200	2900	500	1.650	20/40	DPF2T-24
JDE 211211-51	-32	50.8	2"	50.4-52.0	58.7-61.7	65.1-68.3	40	580	160	2320	630	2.063	20/40	DPF2T-32

Marking / Layline (Printing, Ink, Embossed)

EN853 1ST EXCEEDS SAE 100RIA ID: 1/4" (6MM) MAX.W.P. 225BAR/ 3265PSI

Cover Type: Wrapped

Packing Type: Roll, Pallet, Reel

Outward Appearance: Black

Certificate: ISO 9001, ISO 14001, MSHA, DAKKS, DEKRA, DIN, SAE, MA, USF



## 2SN Wire Braided Hydraulic Hose

Applicable Specs:

- DIN EN853 2SN
- EXCEEDS SAE 100R2AT
- ISO 1436:2009
- ISO 1307
- ISO 6805 / EN 13463
- PN-G 32010
- PN-EN ISO 8030 / PN-EN 13463
- PN-EN 1804-3-A1 / PN-EN ISO 4413

Applications:



**German Technology Equipment**

Product Series:

**SHIELD FLEX**

New-Standard

**Internal hose:**  
Synthetic rubber, extruded whole without joints, of uniform thickness

**Reinforcement:**  
2 layers of steel wire braid

**Covering:**  
Anti-abrasive synthetic rubber, resistant to oils, fuels and atmospheric conditions

**Fittings:**  
Ferrule: No-skive Type DPF2T  
Insert: DPX2XX (X: Can choose)  
Certificate: MSHA & BV & GOST & IATF 16949 & ISO 9001 & ISO 14001 & ISO 45001 & DAKKS & SGS & MA & DEKRA Approved

**Working Pressure:**  
80–415 Bar / 1160–6017.5 PSI

**Impulse times:**  
≥ 200,000 times

**Temperature:**  
• -40 °C to +100 °C (intermittent 120 °C)  
• -40 °C to +70 °C for water based fluids  
• 0 °C to +70 °C hot air  
• Prolonged operation at extreme temperatures will reduce hoses life

**Media:**  
Mineral and biological oils, glycol-water based, water, lubricants

#	Hose Size		I.D.		R.O.D.		O.D.		Operating Pressure		Burst Pressure		Bend Radius	Weight	Length Per PCS	Ferrule
Part Number	Dash Size	mm	inch	mm	mm	mm	bar	psi	bar	psi	mm	kgs/m	meter	DME Code		
JDE 211102-05	-03	4.8	3/16"	4.6-5.4	9.0-10.0	14.1 MAX.	415	6017.5	1660	24070	90	0.340	50/100	DPF2T-03		
JDE 211102-06	-04	6.4	1/4"	6.2-7.0	10.6-11.6	15.7 MAX.	400	5800	1600	23200	100	0.372	50/100	DPF2T-04		
JDE 211102-08	-05	8.0	5/16"	7.7-8.5	12.1-13.3	17.3 MAX.	350	5075	1400	20300	115	0.430	50/100	DPF2T-05		
JDE 211102-10	-06	9.5	3/8"	9.3-10.1	14.5-15.7	19.7 MAX.	330	4785	1320	19140	130	0.560	50/100	DPF2T-06		
JDE 211102-12	-08	12.7	1/2"	12.3-13.5	17.5-19.1	23.0 MAX.	275	3987.5	1100	15950	180	0.640	50/100	DPF2T-08		
JDE 211102-16	-10	16.0	5/8"	15.5-16.7	20.6-22.2	26.2 MAX.	250	3625	1000	14500	200	0.732	50/100	DPF2T-10		
JDE 211102-19	-12	19.0	3/4"	18.6-19.8	24.6-26.2	30.1 MAX.	215	3117.5	860	12470	240	0.930	50/100	DPF2T-12		
JDE 211102-25	-16	25.4	1"	25.0-26.4	32.5-34.1	38.9 MAX.	165	2392.5	660	9570	300	1.360	50/100	DPF2T-16		
JDE 211102-32	-20	31.8	1-1/4"	31.4-33.0	39.3-41.7	49.5 MAX.	125	1812.5	500	7250	420	1.850	20/40	DPF2T-20		
JDE 211102-38	-24	38.1	1-1/2"	37.7-39.3	45.6-48.0	55.9 MAX.	90	1305	360	5220	500	2.300	20/40	DPF2T-24		
JDE 211102-51	-32	50.8	2"	50.4-52.0	58.7-61.7	68.6 MAX.	80	1160	320	4640	630	2.650	20/40	DPF2T-32		

Marking / Layline (Printing, Ink, Embossed)



**Cover Type:**  
Wrapped

**Packing Type:**  
Roll, Pallet, Reel

**Outward Appearance:**  
● Black

**Certificate:** ISO 9001, ISO 14001, MSHA, DAKKS, DEKRA, DIN, SAE, MA, USF

## 2ST Wire Braided Hydraulic Hose

Applicable Specs:

- DIN EN853 2ST
- EXCEEDS SAE 100R2A
- ISO 1436:2009
- ISO 1307
- ISO 6805 / EN 13463
- PN-G 32010
- PN-EN ISO 8030 / PN-EN 13463
- PN-EN 1804-3-A1 / PN-EN ISO 4413

Applications:



**German Technology Equipment**

Product Series:

**SHIELD FLEX**

New-Standard

**Internal hose:**  
Synthetic rubber, extruded whole without joints, of uniform thickness

**Reinforcement:**  
2 layers of steel wire braid

**Covering:**  
Anti-abrasive synthetic rubber, resistant to oils, fuels and atmospheric conditions

**Fittings:**  
Ferrule: No-skive Type DPF2T  
Insert: DPX2XX (X: Can choose)  
Certificate: MSHA & BV & GOST & IATF 16949 & ISO 9001 & ISO 14001 & ISO 45001 & DAKKS & SGS & MA & DEKRA Approved

**Working Pressure:**  
80–415 Bar / 1160–6017.5 PSI

**Impulse times:**  
≥ 200,000 times

**Temperature:**  
• -40 °C to +100 °C (intermittent 120 °C)  
• -40 °C to +70 °C for water based fluids  
• 0 °C to +70 °C hot air  
• Prolonged operation at extreme temperatures will reduce hoses life

**Media:**  
Mineral and biological oils, glycol-water based, water, lubricants

#	Hose Size		I.D.		R.O.D.		O.D.		Operating Pressure		Burst Pressure		Bend Radius	Weight	Length Per PCS	Ferrule
Part Number	Dash Size	mm	inch	mm	mm	mm	bar	psi	bar	psi	mm	kgs/m	meter	DME Code		
JDE 211112-05	-03	4.8	3/16"	4.6-5.4	10.6-11.6	15.1-16.7	415	6017.5	1660	24070	90	0.374	50/100	DPF2T-03		
JDE 211112-06	-04	6.4	1/4"	6.2-7.0	12.1-13.3	16.7-18.3	400	5800	1600	23200	100	0.409	50/100	DPF2T-04		
JDE 211112-08	-05	8.0	5/16"	7.7-8.5	13.7-14.9	18.3-19.9	350	5075	1400	20300	115	0.473	50/100	DPF2T-05		
JDE 211112-10	-06	9.5	3/8"	9.3-10.1	16.1-17.3	20.6-22.2	330	4785	1320	19140	130	0.616	50/100	DPF2T-06		
JDE 211112-12	-08	12.7	1/2"	12.3-13.5	19.0-20.6	23.8-25.4	275	3987.5	1100	15950	180	0.704	50/100	DPF2T-08		
JDE 211112-16	-10	16.0	5/8"	15.5-16.7	22.2-23.8	27.0-28.6	250	3625	1000	14500	200	0.805	50/100	DPF2T-10		
JDE 211112-19	-12	19.0	3/4"	18.6-19.8	26.2-27.8	31.0-32.6	215	3117.5	860	12470	240	1.023	50/100	DPF2T-12		
JDE 211112-25	-16	25.4	1"	25.0-26.4	34.1-35.7	38.5-40.9	165	2392.5	660	9570	300	1.496	50/100	DPF2T-16		
JDE 211112-32	-20	31.8	1-1/4"	31.4-33.0	43.3-45.7	49.2-52.4	125	1812.5	500	7250	420	2.035	20/40	DPF2T-20		
JDE 211112-38	-24	38.1	1-1/2"	37.7-39.3	49.6-52.0	55.6-58.8	90	1305	360	5220	500	2.530	20/40	DPF2T-24		
JDE 211112-51	-32	50.8	2"	50.4-52.0	62.3-64.7	68.2-71.4	80	1160	320	4640	630	2.915	20/40	DPF2T-32		

Marking / Layline (Printing, Ink, Embossed)



**Cover Type:**  
Wrapped

**Packing Type:**  
Roll, Pallet, Reel

**Outward Appearance:**  
● Black

**Certificate:** ISO 9001, ISO 14001, MSHA, DAKKS, DEKRA, DIN, SAE, MA, USF



# ISO 3862



## Application



## 4SP



### Applicable Specs:

- DIN 20023 PART 1 TYPE 4SP
- TS 10548
- ISO 1307
- GB-T 10544
- ISO 8030 / EN 1804 / EN 13463-1
- ISO 4413
- ISO 3862 4SP



## 4SH



### Applicable Specs:

- DIN 20023 PART 1 TYPE 4SH
- TS 10548
- ISO 1307
- GB-T 10544
- ISO 8030 / EN 1804-3 / ISO 6805
- ISO 4413
- ISO 3862 4SH



## R12



### Applicable Specs:

- SAE 100R12 / EN 856 R12
- TS 10548
- ISO 1307
- ISO 3862 R12



## R13



### Applicable Specs:

- SAE 100R13
- TS 10548 / PG-G-32010
- ISO 1307
- EN 1804-3 / ISO 13463-1
- ISO 3862 R13



## R15



### Applicable Specs:

- SAE 100R15
- ISO 1307
- ISO 3862 R15





## 4SP Wire Spiral Hydraulic Hose

Applicable Specs:

- DIN 20023 PART 1 TYPE 4SP
- TS 10548
- ISO 1307
- GB-T 10544
- ISO 8030 / EN 1804 / EN 13463-1
- ISO 4413
- ISO 3862 4SP

Applications:



American Technology Equipment

Product Series:



New-Standard

**Internal hose:**  
Synthetic rubber, extruded whole without joints, of uniform thickness



**Reinforcement:**

4 layers of steel wire spiral



**Covering:**

Anti-abrasive synthetic rubber, resistant to oils, fuels and atmospheric conditions



**Fittings:**

Ferrule: No-skive Type DPF4T •  
Insert: DPX4XX (X: Can choose) •  
Certificate: MSHA & BV & GOST & IATF 16949 & ISO 9001 & ISO 14001 & ISO 45001 & DAKKS & SGS & MA & DEKRA Approved



**Working Pressure:**

165-445 Bar / 2392.5-6452.5 PSI



**Impulse times:**

≥ 400,000 Times



**Temperature:**

- -40 °C to +100 °C (intermittent 120 °C)
- -40 °C to +70 °C for water based fluids
- 0 °C to +70 °C hot air
- Prolonged operation at extreme temperatures will reduce hoses life



**Media:**

Hydraulic fluids petroleum based (mineral oils), glycol-water based, water, lubricants



#	Hose Size		I.D.	R.O.D.	O.D.	Operating Pressure		Burst Pressure		Bend Radius	Weight	Length Per PCS	Ferrule	
Part Number	Dash Size	mm	inch	mm	mm	bar	psi	bar	psi	mm	kgs/m	meter	DME Code	
JDE 211104-10	-06	9.5	3/8"	9.3-10.1	16.9-18.1	20.6-22.2	445	6452.5	1780	25810	180	0.700	20/40	DPF4T-06
JDE 211104-12	-08	12.7	1/2"	12.3-13.5	19.4-21.0	23.8-25.4	415	6017.5	1660	24070	230	0.800	20/40	DPF4T-08
JDE 211104-16	-10	16.0	5/8"	15.5-16.7	23.0-24.6	27.4-29.0	350	5075	1400	20300	250	0.975	20/40	DPF4T-10
JDE 211104-19	-12	19.0	3/4"	18.6-19.8	27.4-29.0	31.4-33.0	350	5075	1400	20300	300	1.450	20/40	DPF4T-12
JDE 211104-25	-16	25.4	1"	25.0-26.4	34.5-36.1	38.5-40.9	280	4060	1120	16240	340	2.050	20/40	DPF4T-16
JDE 211104-32	-20	31.8	1-1/4"	31.4-33.0	45.0-47.0	49.2-52.4	210	3045	840	12180	460	3.060	20/40	DPF4T-20
JDE 211104-38	-24	38.1	1-1/2"	37.7-39.3	51.4-53.4	55.6-58.8	185	2682.5	740	10730	560	3.650	20/40	DPF4T-24
JDE 211104-51	-32	50.8	2"	50.4-52.0	64.3-66.3	68.2-71.4	165	2392.5	660	9570	660	4.850	20/40	DPF4T-32

Marking / Layline (Printing, Ink, Embossed)



Cover Type: Wrapped



Packing Type: Roll, Pallet, Reel



Outward Appearance: ● Black



Powered by DME&JDE Group

## 4SH Wire Spiral Hydraulic Hose

Applicable Specs:

- DIN 20023 PART 2 TYPE 4SH
- TS 10548 / PG-G-32010
- ISO 1307
- GB-T 10544
- ISO 8030 / EN 1804-3 / ISO 6805
- ISO 4413
- ISO 3862 4SH

Applications:



American Technology Equipment

Product Series:



New-Standard

**Internal hose:**  
Synthetic rubber, extruded whole without joints, of uniform thickness



**Reinforcement:**

4 layers of steel wire spiral



**Covering:**

Anti-abrasive synthetic rubber, resistant to oils, fuels and atmospheric conditions



**Fittings:**

Ferrule: No-skive Type DPF4T •  
Insert: DPX4XX (X: Can choose) •  
Certificate: MSHA & BV & GOST & IATF 16949 & ISO 9001 & ISO 14001 & ISO 45001 & DAKKS & SGS & MA & DEKRA Approved



**Working Pressure:**

250-420 Bar/3625-6090 PSI



**Impulse times:**

≥ 400,000 Times



**Temperature:**

- -40 °C to +100 °C (intermittent 120 °C)
- -40 °C to +70 °C for water based fluids
- 0 °C to +70 °C hot air
- Prolonged operation at extreme temperatures will reduce hoses life



**Media:**

Hydraulic fluids petroleum based (mineral oils), glycol-water based, water, lubricants



#	Hose Size		I.D.	R.O.D.	O.D.	Operating Pressure		Burst Pressure		Bend Radius	Weight	Length Per PCS	Ferrule	
Part Number	Dash Size	mm	inch	mm	mm	mm	bar	psi	bar	psi	mm	kgs/m	meter	DME Code
JDE 211114-19	-12	19.0	3/4"	18.6-19.8	27.6-29.2	31.4-33.0	420	6090	1680	24360	280	1.600	20/40	DPF4T-12
JDE 211114-25	-16	25.4	1"	25.0-26.4	34.4-36.0	37.5-39.9	380	5510	1520	22040	340	2.200	20/40	DPF4T-16
JDE 211114-32	-20	31.8	1-1/4"	31.4-33.0	40.9-42.9	43.9-47.1	325	4712.5	1300	18850	460	2.750	20/40	DPF4T-20
JDE 211114-38	-24	38.1	1-1/2"	37.7-39.3	47.8-49.8	51.9-55.1	290	4205	1160	16820	560	3.750	20/40	DPF4T-24
JDE 211114-51	-32	50.8	2"	50.4-52.0	62.2-64.2	66.5-69.7	250	3625	1000	14500	700	4.950	20/40	DPF4T-32

Marking / Layline (Printing, Ink, Embossed)



Cover Type: Wrapped



Packing Type: Roll, Pallet, Reel



Outward Appearance: ● Black



Powered by DME&JDE Group

# R12 Wire Spiral Hydraulic Hose



Applicable Specs:

- SAE 100R12 / EN 856 R12
- TS 10548
- ISO 1307
- ISO 3862 R12

Applications:



American Technology Equipment

Product Series:



New-Standard

**Internal hose:**  
Synthetic rubber, extruded whole without joints, of uniform thickness



**Reinforcement:**

4 layers of steel wire spiral



**Covering:**

Anti-abrasive synthetic rubber, resistant to oils, fuels and atmospheric conditions



**Fittings:**

- Ferrule: No-skive Type DPF4T
- Insert: DPX4XX (X: Can choose)
- Certificate: MSHA & BV & GOST & IATF 16949 & ISO 9001 & ISO 14001 & ISO 45001 & DAKKS & SGS & MA & DEKRA Approved



**Working Pressure:**

172-276 Bar / 2494-4002 PSI



**Impulse times:**

≥ 500,000 Times



**Temperature:**

- 40 °C to +100 °C (intermittent 120 °C)
- 40 °C to +70 °C for water based fluids
- 0 °C to +70 °C hot air
- Prolonged operation at extreme temperatures will reduce hoses life



**Media:**

Hydraulic fluids petroleum based (mineral oils), glycol-water based, water, lubricants



#	Hose Size		I.D.	R.O.D.	O.D.	Operating Pressure		Burst Pressure	Bend Radius	Weight	Length Per PCS	Ferrule		
Part Number	Dash Size	mm	inch	mm	mm	mm	bar	psi	bar	psi	mm	kgs/m	meter	DME Code
JDE 311112-10	-06	9.5	3/8"	9.3-10.1	16.6-17.8	19.5-21.0	280	4060	1120	16240	125	0.700	20/40	DPF4T-06
JDE 311112-12	-08	12.7	1/2"	12.3-13.5	19.9-21.5	23.0-24.6	280	4060	1120	16240	180	0.800	20/40	DPF4T-08
JDE 311112-16	-10	16.0	5/8"	15.5-16.7	23.8-25.4	26.6-28.8	280	4060	1120	16240	200	0.975	20/40	DPF4T-10
JDE 311112-19	-12	19.0	3/4"	18.6-19.8	26.9-28.4	29.9-31.5	280	4060	1120	16240	240	1.450	20/40	DPF4T-12
JDE 311112-25	-16	25.4	1"	25.0-26.4	34.1-35.7	36.8-39.2	280	4060	1120	16240	300	2.050	20/40	DPF4T-16
JDE 311112-32	-20	31.8	1-1/4"	31.4-33.0	42.7-45.1	45.4-48.6	210	3045	840	12180	420	3.060	20/40	DPF4T-20
JDE 311112-38	-24	38.1	1-1/2"	37.7-39.3	49.2-51.6	51.9-55.0	175	2538	700	10150	500	3.650	20/40	DPF4T-24
JDE 311112-51	-32	50.8	2"	50.4-52.0	62.5-64.8	65.1-68.3	175	2538	700	10150	630	4.850	20/40	DPF4T-32

Marking / Layline (Printing, Ink, Embossed)



Cover Type: Wrapped



Packing Type: Roll, Pallet, Reel



Outward Appearance: ● Black



Powered by DME&JDE Group

# R13 Wire Spiral Hydraulic Hose



Applicable Specs:

- SAE 100R13
- TS 10548 / PG-G-32010
- ISO 1307
- EN 1804-3 / ISO 13463-1
- ISO 3862 R13

Applications:



American Technology Equipment

Product Series:



New-Standard

**Internal hose:**  
Synthetic rubber, extruded whole without joints, of uniform thickness



**Reinforcement:**

4 layers of high tensile steel wire spiral up to size 1", • 6 layers of spiral from size 1-1/4" to 2"



**Covering:**

Anti-abrasive synthetic rubber, resistant to oils, fuels and atmospheric conditions



**Fittings:**

- Ferrule: No-skive Type DPFR13
- Insert: DPXR13-XX (X: Can choose)
- Certificate: MSHA & BV & GOST & IATF 16949 & ISO 9001 & ISO 14001 & ISO 45001 & DAKKS & SGS & MA & DEKRA Approved



**Working Pressure:**

350 Bar / 5075 PSI



**Impulse times:**

≥ 500,000 Times



**Temperature:**

- 40 °C to +100 °C (intermittent 120 °C)
- 40 °C to +70 °C for water based fluids
- 0 °C to +70 °C hot air
- Prolonged operation at extreme temperatures will reduce hoses life



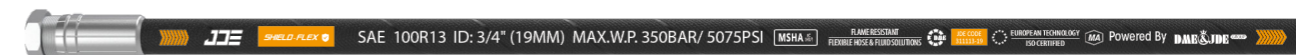
**Media:**

Hydraulic fluids petroleum based (mineral oils), glycol-water based, water, lubricants



#	Hose Size		I.D.	R.O.D.	O.D.	Operating Pressure		Burst Pressure	Bend Radius	Weight	Length Per PCS	Ferrule		
Part Number	Dash Size	mm	inch	mm	mm	mm	bar	psi	bar	psi	mm	kgs/m	meter	DME Code
JDE 311113-19	-12	19.0	3/4"	18.6-19.8	28.2-29.8	31.0-33.2	350	5075	1400	20300	240	1.450	20/40	DPFR13-12
JDE 311113-25	-16	25.4	1"	25.0-26.4	34.9-36.4	37.6-39.8	350	5075	1400	20300	300	2.050	20/40	DPFR13-16
JDE 311113-32	-20	31.8	1-1/4"	31.4-33.0	45.6-48.0	48.3-51.3	350	5075	1400	20300	420	3.060	20/40	DPFR13-20
JDE 311113-38	-24	38.1	1-1/2"	37.7-39.3	53.1-55.5	55.8-58.8	350	5075	1400	20300	500	3.650	20/40	DPFR13-24
JDE 311113-51	-32	50.8	2"	50.4-52.0	66.9-69.3	69.5-72.7	350	5075	1400	20300	640	4.850	20/40	DPFR13-32

Marking / Layline (Printing, Ink, Embossed)



Cover Type: Wrapped



Packing Type: Roll, Pallet, Reel



Outward Appearance: ● Black



Powered by DME&JDE Group



# R15 Wire Spiral Hydraulic Hose



Applicable Specs:

- SAE 100R15
- ISO 1307
- ISO 3862 R15

Applications:



American Technology Equipment

Product Series:



New-Standard

**Internal hose:**  
Synthetic rubber, extruded whole without joints, of uniform thickness

**Reinforcement:**  
4 layers of high tensile steel wire spiral up to size 1",  
6 layers of spiral from size 1-1/4" to 2"

**Covering:**  
Anti-abrasive synthetic rubber, resistant to oils, fuels and atmospheric conditions

**Fittings:**  
Ferrule: No-skive Type DPFR15 •  
Insert: DPXR15-XX (X: Can choose)  
Certificate: MSHA & BV & GOST & IATF 16949 •  
& ISO 9001 & ISO 14001 & ISO 45001  
& DAKKS & SGS & MA & DEKRA Approved

**Working Pressure:**  
420 Bar / 6090 PSI

**Impulse times:**  
≥ 500,000 Times

**Temperature:**  
• -40 °C to +100 °C (intermittent 120 °C)  
• -40 °C to +70 °C for water based fluids  
• 0 °C to +70 °C hot air  
• Prolonged operation at extreme temperatures will reduce hoses life

**Media:**  
Hydraulic fluids petroleum based (mineral oils),  
glycol-water based, water, lubricants

#	Hose Size		I.D.		R.O.D.		O.D.		Operating Pressure		Burst Pressure		Bend Radius	Weight	Length Per PCS	Ferrule
	Dash Size	mm	inch	mm	mm	mm	bar	psi	bar	psi	mm	kgs/m	meter	DME Code		
JDE 311115-10	-06	9.3	3/8"	9.3-10.1	20.3 MAX	23.3 MAX	420	6090	1680	24360	150	0.800	20/40	DPFR15-06		
JDE 311115-12	-08	12.3	1/2"	12.3-13.5	24.0 MAX	26.8 MAX	420	6090	1680	24360	200	0.900	20/40	DPFR15-08		
JDE 311115-19	-12	19.0	3/4"	18.6-19.8	32.9 MAX	36.1 MAX	420	6090	1680	24360	265	1.600	20/40	DPFR15-12		
JDE 311115-25	-16	25.4	1"	25.0-26.4	38.9 MAX	42.9 MAX	420	6090	1680	24360	330	2.250	20/40	DPFR15-16		
JDE 311115-32	-20	31.8	1-1/4"	31.4-33.0	48.4 MAX	51.5 MAX	420	6090	1680	24360	445	3.950	20/40	DPFR15-20		
JDE 311115-38	-24	38.1	1-1/2"	37.7-39.3	56.3 MAX	59.6 MAX	420	6090	1680	24360	530	5.250	20/40	DPFR15-24		
JDE 311115-51	-32	50.8	2"	37.7-39.3	-	-	420	6090	1680	24360	-	6.600	20/40	DPFR15-32		

Marking / Layline (Printing, Ink, Embossed)



- Cover Type:** Wrapped
- Packing Type:** Roll, Pallet, Reel
- Outward Appearance:** Black



Powered by DME&JDE Group

# ISO 3862

## «



Application







# ISO 11237



## Application



## 1SC

### Applicable Specs:

- DIN EN 857 1SC
- ISO 1436:2009
- TS 6387 EN 857 1SC
- ISO 1307
- ISO 6805
- EN 13463-1



## 2SC

### Applicable Specs:

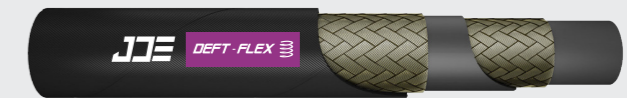
- DIN EN 857 2SC
- ISO 11237-1 2SC
- EN 1804-3
- ISO 1307
- ISO 6805



## R16

### Applicable Specs:

- SAE 100R16
- ISO 11237-1 R16
- ISO 1307



## R17

### Applicable Specs:

- SAE 100R17
- ISO 11237-1 R17
- ISO 1307



## R19

### Applicable Specs:

- SAE 100R19
- ISO 1307





# 1SC Wire Braided Hydraulic Hose

Applicable Specs:

- DIN EN 857 1SC ▪ ISO 1436:2009 ▪ TS 6387 EN 857 1SC
- ISO 1307 ▪ ISO 6805 ▪ EN 13463-1

Applications:



German Technology Equipment

Product Series:



Ultra Soft & Flexible

**Internal hose:**  
Synthetic rubber, extruded whole without joints, of uniform thickness

**Reinforcement:**  
1 layer of steel wire braid

**Covering:**  
Anti-abrasive synthetic rubber, resistant to oils, fuels and atmospheric conditions

**Fittings:**  
Ferrule: No-skive Type DPF2T •  
Insert: DPX1XX (X: Can choose) •  
Certificate: MSHA & BV & GOST & IATF 16949 & ISO 9001 & ISO 14001 & ISO 45001 & DAKKS & SGS & MA & DEKRA Approved



**Working Pressure:**  
88–225 Bar / 1276–3262.5 PSI

**Impulse times:**  
≥ 150,000 Times

**Temperature:**

- -40 °C to +100 °C (intermittent 120 °C)
- -40 °C to +70 °C for water based fluids
- 0 °C to +70 °C hot air
- Prolonged operation at extreme temperatures will reduce hoses life

**Media:**  
Mineral and biological oils, glycol-water based, water, lubricants

#	Hose Size		I.D.	R.O.D.	O.D.	Operating Pressure		Burst Pressure		Bend Radius	Weight	Length Per PCS	Ferrule	
	Dash Size	mm				inch	bar	psi	bar					psi
DEF 211121-06	-04	6.4	1/4"	6.1–6.9	9.6–10.8	13.5 MAX.	225	3262.5	900	13050	75	0.190	50/100	DPF2T-04
DEF 211121-08	-05	8.0	5/16"	7.7–8.5	10.9–12.1	14.5 MAX.	215	3117.5	860	12470	85	0.220	50/100	DPF2T-05
DEF 211121-10	-06	9.5	3/8"	9.3–10.1	12.7–14.5	16.9 MAX.	180	2610	720	10440	90	0.250	50/100	DPF2T-06
DEF 211121-12	-08	12.7	1/2"	12.3–13.5	15.9–18.1	20.4 MAX.	160	2320	640	9280	130	0.350	50/100	DPF2T-08
DEF 211121-16	-10	16.0	5/8"	15.5–16.7	19.8–21.0	23.0 MAX.	130	1885	520	7540	150	0.450	50/100	DPF2T-10
DEF 211121-19	-12	19.0	3/4"	18.6–19.8	23.2–24.4	26.7 MAX.	105	1522.5	420	6090	180	0.500	50/100	DPF2T-12
DEF 211121-25	-16	25.4	1"	25.0–26.4	30.7–31.9	34.9 MAX.	88	1276	352	5104	230	0.750	50/100	DPF2T-16

Marking / Layline (Printing, Ink, Embossed)



**Cover Type:**  
Wrapped

**Packing Type:**  
Roll, Pallet, Reel

**Outward Appearance:**  
● Black



Powered by DME&JDE Group

# 2SC Wire Braided Hydraulic Hose

Applicable Specs:

- DIN EN 857 2SC ▪ ISO 11237-1 2SC ▪ EN 1804-3 ▪ ISO 1307 ▪ ISO 6805

Applications:



German Technology Equipment

Product Series:



Ultra Soft & Flexible

**Internal hose:**  
Synthetic rubber, extruded whole without joints, of uniform thickness

**Reinforcement:**  
2 layers of steel wire braid

**Covering:**  
Anti-abrasive synthetic rubber, resistant to oils, fuels and atmospheric conditions

**Fittings:**  
Ferrule: No-skive Type DPF2T •  
Insert: DPX2XX (X: Can choose) •  
Certificate: MSHA & BV & GOST & IATF 16949 & ISO 9001 & ISO 14001 & ISO 45001 & DAKKS & SGS & MA & DEKRA Approved



**Working Pressure:**  
165–400 Bar / 2392.5-5800 PSI

**Impulse times:**  
≥ 200,000 Times

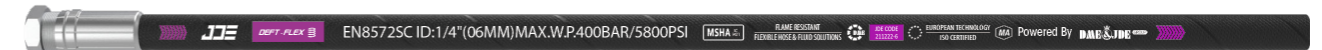
**Temperature:**

- -40 °C to +100 °C (intermittent 120 °C)
- -40 °C to +70 °C for water based fluids
- 0 °C to +70 °C hot air
- Prolonged operation at extreme temperatures will reduce hoses life

**Media:**  
Mineral and biological oils, glycol-water based, water, lubricants

#	Hose Size		I.D.	R.O.D.	O.D.	Operating Pressure		Burst Pressure		Bend Radius	Weight	Length Per PCS	Ferrule	
	Dash Size	mm				inch	bar	psi	bar					psi
DEF 211122-06	-04	6.4	1/4"	6.1-6.9	10.6-11.7	14.2 MAX.	400	5800	1600	23200	75	0.290	50/100	DPF2T-04
DEF 211122-08	-05	8.0	5/16"	7.7-8.5	12.1-13.3	16.0 MAX.	350	5075	1400	20300	85	0.330	50/100	DPF2T-05
DEF 211122-10	-06	9.5	3/8"	9.3-10.1	14.4-15.6	18.3 MAX.	330	4785	1320	19140	90	0.420	50/100	DPF2T-06
DEF 211122-12	-08	12.7	1/2"	12.3-13.5	17.5-19.1	21.5 MAX.	275	3987.5	1100	15950	130	0.550	50/100	DPF2T-08
DEF 211122-16	-10	16.0	5/8"	15.5-16.7	20.5-22.3	24.7 MAX.	250	3625	1000	14500	150	0.650	50/100	DPF2T-10
DEF 211122-19	-12	19.0	3/4"	18.6-19.8	24.6-26.4	28.6 MAX.	215	3117.5	860	12470	180	0.790	50/100	DPF2T-12
DEF 211122-25	-16	25.4	1"	25.0-26.4	32.5-34.3	36.6 MAX.	165	2392.5	660	9570	230	1.180	50/100	DPF2T-16

Marking / Layline (Printing, Ink, Embossed)



**Cover Type:**  
Wrapped

**Packing Type:**  
Roll, Pallet, Reel

**Outward Appearance:**  
● Black



Powered by DME&JDE Group

# R16 Wire Braided Hydraulic Hose

Applicable Specs:  
 ■ SAE 100R16 ■ ISO 11237-1 R16 ■ ISO 1307

Applications:



German Technology Equipment

Product Series:



Ultra Soft & Flexible

- Internal hose:** Synthetic rubber, extruded whole without joints, of uniform thickness
- Reinforcement:** 2 layers of steel wire braid
- Covering:** Anti-abrasive synthetic rubber, resistant to oils, fuels and atmospheric conditions
- Fittings:** Ferrule: No-skive Type DPF2T • Insert: DPX2XX (X: Can choose) • Certificate: MSHA & BV & GOST & IATF 16949 & ISO 9001 & ISO 14001 & ISO 45001 & DAKKS & SGS & MA & DEKRA Approved



- Working Pressure:** 125-400 Bar / 1812.5-5800 PSI
- Impulse times:** ≥ 200,000 Times
- Temperature:**
  - 40 °C to +100 °C (intermittent 120 °C)
  - 40 °C to +70 °C for water based fluids
  - 0 °C to +70 °C hot air
  - Prolonged operation at extreme temperatures will reduce hoses life
- Media:** Mineral and biological oils, glycol-water based, water, lubricants

#	Hose Size		I.D.	R.O.D.	O.D.	Operating Pressure		Burst Pressure		Bend Radius	Weight	Length Per PCS	Ferrule	
Part Number	Dash Size	mm	inch	mm	mm	bar	psi	bar	psi	mm	kgs/m	meter	DME Code	
DEF 311116-06	-04	6.4	1/4"	6.2-7.0	12.3 MAX.	14.5 MAX.	400	5800	1600	23200	50	0.290	50/100	DPF2T-04
DEF 311116-08	-05	8.0	5/16"	7.7-8.5	13.3 MAX.	15.7 MAX.	350	5075	1400	20300	55	0.330	50/100	DPF2T-05
DEF 311116-10	-06	9.5	3/8"	9.3-10.1	15.9 MAX.	18.8 MAX.	330	4785	1320	19140	65	0.420	50/100	DPF2T-06
DEF 311116-12	-08	12.7	1/2"	12.3-13.5	19.0 MAX.	22.0 MAX.	275	3987.5	1100	15950	90	0.550	50/100	DPF2T-08
DEF 311116-16	-10	16.0	5/8"	15.5-16.7	22.6 MAX.	25.4 MAX.	250	3625	1000	14500	100	0.650	50/100	DPF2T-10
DEF 311116-19	-12	19.0	3/4"	18.6-19.8	26.3 MAX.	29.0 MAX.	215	3117.5	860	12470	120	0.790	50/100	DPF2T-12
DEF 311116-25	-16	25.4	1"	25.0-26.4	34.0 MAX.	36.6 MAX.	165	2392.5	660	9570	150	1.180	50/100	DPF2T-16
DEF 311116-32	-20	31.5	1-1/4"	31.4-33.0	41.9 MAX.	44.3 MAX.	125	1812.5	500	7250	210	1.800	40	DPF2T-20

Marking / Layline (Printing, Ink, Embossed)



- Cover Type:** Wrapped
- Packing Type:** Roll, Pallet, Reel
- Outward Appearance:** ● Black



Powered by DME&JDE Group

# R17 Wire Braided Hydraulic Hose

Applicable Specs:  
 ■ SAE 100R17 ■ ISO 11237-1 R17 ■ ISO 1307

Applications:



German Technology Equipment

Product Series:



Ultra Soft & Flexible

- Internal hose:** Synthetic rubber, extruded whole without joints, of uniform thickness
- Reinforcement:** 1 layer of high tensile steel wire braid up to size 1/2", 2 layers of high tensile steel wire braid from size 5/8" onwards.
- Covering:** Anti-abrasive synthetic rubber, resistant to oils, fuels and atmospheric conditions
- Fittings:** Ferrule: No-skive Type DPF2T • Insert: DPX2XX or DP1XXX (X: Can choose) • Certificate: MSHA & BV & GOST & IATF 16949 & ISO 9001 & ISO 14001 & ISO 45001 & DAKKS & SGS & MA & DEKRA Approved



- Working Pressure:** 210 Bar / 3045 PSI
- Impulse times:** ≥ 200,000 Times
- Temperature:**
  - 40 °C to +100 °C (intermittent 120 °C)
  - 40 °C to +70 °C for water based fluids
  - 0 °C to +70 °C hot air
  - Prolonged operation at extreme temperatures will reduce hoses life
- Media:** Mineral and biological oils, glycol-water based, water, lubricants

#	Hose Size		I.D.	R.O.D.	O.D.	Operating Pressure		Burst Pressure		Bend Radius	Weight	Length Per PCS	Ferrule	
Part Number	Dash Size	mm	inch	mm	mm	bar	psi	bar	psi	mm	kgs/m	meter	DME Code	
DEF 311117-05	-03	4.8	3/16"	4.6-5.4	10.1 MAX.	11.6 MAX.	210	3045	840	12180	45	0.190	50/100	DPF2T-03
DEF 311117-06	-04	6.4	1/4"	6.2-7.0	11.0 MAX.	13.2 MAX.	210	3045	840	12180	50	0.220	50/100	DPF2T-04
DEF 311117-08	-05	8.0	5/16"	7.7-8.5	13.0 MAX.	15.0 MAX.	210	3045	840	12180	55	0.260	50/100	DPF2T-05
DEF 311117-10	-06	9.5	3/8"	9.3-10.1	15.0 MAX.	17.0 MAX.	210	3045	840	12180	65	0.320	50/100	DPF2T-06
DEF 311117-12	-08	12.7	1/2"	12.3-13.5	18.8 MAX.	21.1 MAX.	210	3045	840	12180	90	0.440	50/100	DPF2T-08
DEF 311117-16	-10	16.0	5/8"	15.5-16.7	23.6 MAX.	25.9 MAX.	210	3045	840	12180	100	0.640	50/100	DPF2T-10
DEF 311117-19	-12	19.0	3/4"	18.6-19.8	27.7 MAX.	30.3 MAX.	210	3045	840	12180	120	0.900	50/100	DPF2T-12
DEF 311117-25	-16	25.4	1"	25.0-26.4	35.6 MAX.	38.6 MAX.	210	3045	840	12180	150	1.250	50/100	DPF2T-16

Marking / Layline (Printing, Ink, Embossed)



- Cover Type:** Wrapped
- Packing Type:** Roll, Pallet, Reel
- Outward Appearance:** ● Black



Powered by DME&JDE Group



# R19 Wire Braided Hydraulic Hose

Applicable Specs:  
▪ SAE 100R19

Applications:



**German Technology Equipment**

Product Series:

Ultra Soft & Flexible

Super Impulse & Pressure

**Internal hose:**

Synthetic rubber, extruded whole without joints, of uniform thickness

**Reinforcement:**

2 layers of steel wire braid

**Covering:**

Anti-abrasive synthetic rubber, resistant to oils, fuels and atmospheric conditions

**Fittings:**

Ferrule: No-skive Type DPF2T •  
Insert: DPX2XX (X: Can choose) •  
Certificate: MSHA & BV & GOST & IATF 16949 •  
& ISO 9001 & ISO 14001 & ISO 45001 •  
& DAKKS & SGS & MA & DEKRA Approved

**Working Pressure:**

280 Bar / 28 MPa / 4060 PSI

**Impulse times:**

≥ 200,000 Times

**Temperature:**

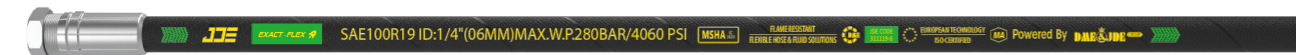
- 40 °C to +100 °C (intermittent 120 °C)
- 40 °C to +70 °C for water based fluids
- 0 °C to +70 °C hot air
- Prolonged operation at extreme temperatures will reduce hoses life*

**Media:**

Mineral and biological oils, glycol-water based, water, lubricants

#	Hose Size		I.D.	R.O.D.	O.D.	Operating Pressure	Burst Pressure	Bend Radius	Weight	Length Per PCS	Ferrule			
Part Number	Dash Size	mm	inch	mm	mm	mm	bar	psi	bar	psi	mm	kgs/m	meter	DME Code
EXA 311119-06	-04	6.4	1/4"	6.1-6.9	12.4 Max	14.4 Max	280	4060	1120	16240	100	0.290	50/100	DPF2T-04
EXA 311119-08	-05	8.0	5/16"	7.7-8.5	14.2 Max	16.3 Max	280	4060	1120	16240	115	0.330	50/100	DPF2T-05
EXA 311119-10	-06	9.5	3/8"	9.3-10.1	16.0 Max	18.0 Max	280	4060	1120	16240	125	0.420	50/100	DPF2T-06
EXA 311119-12	-08	12.7	1/2"	12.3-13.5	20.4 Max	22.6 Max	280	4060	1120	16240	180	0.550	50/100	DPF2T-08
EXA 311119-16	-10	16.0	5/8"	15.5-16.7	25.9 Max	27.5 Max	280	4060	1120	16240	205	0.650	50/100	DPF2T-10
EXA 311119-19	-12	19.0	3/4"	18.6-19.8	29.7 Max	32.5 Max	280	4060	1120	16240	240	0.790	50/100	DPF2T-12
EXA 311119-25	-16	25.4	1"	25.0-26.4	39.4 Max	39.4 Max	280	4060	1120	16240	300	1.180	50/100	DPF2T-16

Marking / Layline (Printing, Ink, Embossed)



Cover Type:  
Wrapped

Packing Type:  
Roll, Pallet, Reel

Outward Appearance:  
● Black

Certificate:

Powered by DME&JDE Group

# ISO 11237

## «



Application







# SAE J188



### Application



## High Pressure Power Steering Hose



### Applicable Specs:

- SAE J188 JAN98- TYPE 2
- ASTM D380
- ASTM D413



## High Pressure Power Steering Hose

### Applicable Specs:

- SAE J188 JAN98- TYPE 2
- ASTM D380
- ASTM D413

### Applications:



### Italy Technology Equipment

#### Product Series:



New-Standard

- Internal hose:** Oil resistance synthetic rubber (CSM)
- Reinforcement:** 1 layer of high tensile braid of fibers
- Covering:** Synthetic rubber with excellent aging resistance and weather ability (CPE/CSM)
- Fittings:** Ferrule: DPF01SN • Certificate: MSHA & BV & GOST & IATF 16949 & ISO 9001 & ISO 14001 & ISO 45001 & DAKKS & SGS & MA & DEKRA Approved



- Working Pressure:** 110 Bar / 1620 PSI
- Temperature:** • -40 °C to +125 °C (MAX.: 135 °C)
- Media:** Power steering oil (automatic fluid)

#	⚙️	⊖	⊕	💡	💡	⚖️	📏	🔧				
Part Number	Hose Size			I.D.	O.D.	Operating Pressure		Burst Pressure		Weight	Length Per PCS	Ferrule
I.D.	Dash Size	mm	inch	mm	mm	bar	psi	bar	psi	kgs/m	meter	DAE Code
JDE 821106-10 A	-06	9.5	3/8"	9.5	18.5	110	1620	440	6480	0.14	45-55	DPF01SN
JDE 821106-10 B	-06	9.5	3/8"	9.5	20	110	1620	440	6480	0.16	45-55	DPF01SN

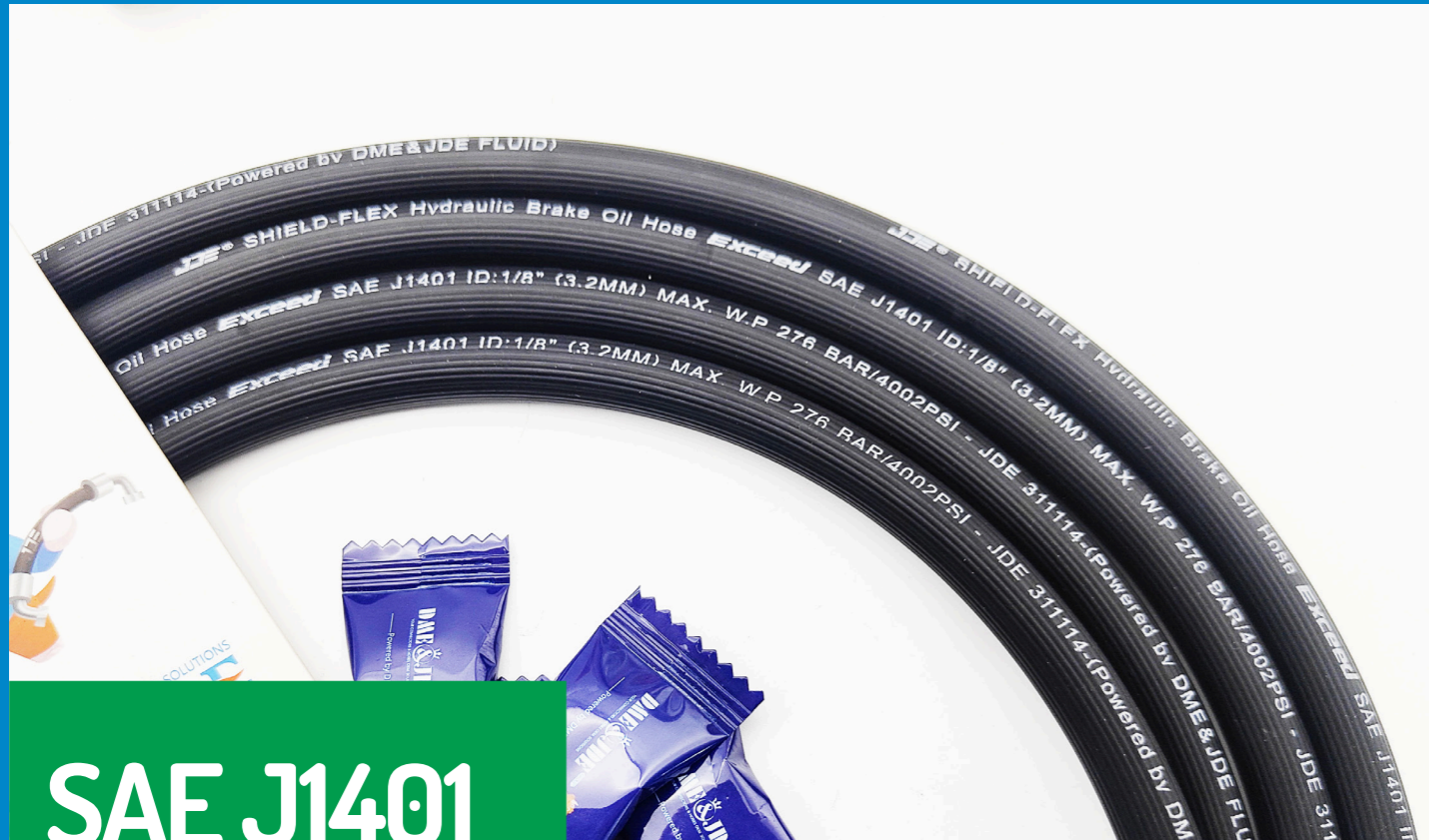
### Marking / Layline (Printing, Ink)



- Cover Type:** Smooth
- Packing Type:** Roll, Pallet, Reel
- Outward Appearance:** • Black







# SAE J1401



## Application



## Hydraulic Brake Hose



### Applicable Specs:

- SAE J1401 JUN93
- SAE J1703/ISO 4929
- SAE J1705
- ASTM 8117
- ISO 4926
- SAE J147/ASTM E4
- ISO 3996



## Hydraulic Brake Hose

### Applicable Specs:

- SAE J1401 JUN93
- SAE J1703/ISO 4929
- SAE J1705
- ASTM 8117
- ISO 4926
- SAE J147/ASTM E4
- ISO 3996

### Applications:



### Italy Technology Equipment

#### Product Series:



New-Standard

**Internal hose:**  
EPDM with synthetic rubber, extruded whole without joints, of uniform thickness

**Reinforcement:**  
High tensile PE/PVA for the first, high tensile PVA for the second Layer

**Covering:**  
EPDM with synthetic rubber, extruded whole without joints, of uniform thickness

**Fittings:**  
Ferrule: No-skive Type DPF1SN •  
Insert: DPX1XX (X: Can choose)  
Certificate: MSHA & BV & GOST & IATF 16949 & ISO 9001 & ISO 14001 & ISO 45001 & DAKKS & SGS & MA & DEKRA Approved



**Working Pressure:**  
276 Bar / 4002 PSI

**Temperature:**  
• -40 °C to +120 °C

**Media:**  
Hydraulic brake hose acts as a pressure transmission for automotive hydraulic brake system. Used for cars, motorcycles, light trucks and other light heavy-duty vehicles for hydraulic brake system.

#	Icon	Icon	Icon	Icon	Icon	Icon	Icon	Icon	Icon	Icon	Icon	Icon
Part Number	Hose Size			I.D.	O.D.	Operating Pressure		Burst Pressure		Swelling Capacity	Tensile Strength	Ferrule
I.D.	Dash Size	mm	inch	mm	mm	bar	psi	bar	psi	ml/m	N	DME Code
JDE 811302-03	-02	3.2	1/8"	3.2	10.5	276	4002	490	7105	0.43-0.89	2500	DPF1SN-02
JDE 811302-05	-03	4.8	3/16"	4.8	12.5	276	4002	345	5003	0.43-0.89	2500	DPF1SN-03

### Marking / Layline (Printing, Ink)



- Cover Type:** Wrapped
- Packing Type:** Roll, Pallet, Reel
- Outward Appearance:** ● Black





# SAE J 2064



Application



## Type C 5 Layer Braiding



Applicable Specs:

- SAE J2064
- SAE J3062
- QC/T664



## Type C 7 Layer Winding



Applicable Specs:

- SAE J2064
- SAE J3062
- QC/T664

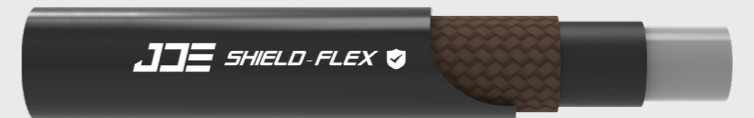


## Type E 4 Layer Braiding



Applicable Specs:

- SAE J2064
- SAE J3062
- QC/T664



## Type E 6 Layer Winding



Applicable Specs:

- SAE J2064
- SAE J3062
- QC/T664





## A/C Hose Type C 5 Layer Braiding

Applicable Specs:

- SAE J2064
- SAE J3062
- QC/T664

Applications:



Italy Technology Equipment

Product Series:



New-Standard

**Tube:**  
EPDM/CSM/IIR



**Barrier:**  
PA/NYLON



**Friction:**  
EPDM/CSM/IIR



**Reinforcement:**  
Braided PET/PVA



**Cover:**  
EPDM



**Fittings:**  
DPFR134a-XX (X: Can choose)



**Working Pressure:**  
35 Bar / 500 PSI



**Temperature:**  
• -40 °C to +135 °C



**Media:**  
refrigerant  
• R134a  
• R404a  
• R1234yf

#	Hose Size		I.D.	O.D.	W.T.	W.D.	Operating Pressure		Burst Pressure		Bend Radius	Permeability	Ferrule
	Dash Size	Spec					bar	psi	bar	psi			
JDE 321404-08 TC	5/16"	8.2 × 19.0	8.2±0.2	19.0±0.3	5.5	0.4	35	500	210	3000	55.0	1.9	DPFR134a-05
JDE 321404-10 C	13/32"	10.5 × 23.0	10.5±0.2	23.0±0.3	6.2	0.4	35	500	210	3000	65.0	1.9	DPFR134a-06
JDE 321404-13 AC	1/2" A	13.0 × 25.4	13.0±0.2	25.4±0.3	6.2	0.4	35	500	220	3200	75.0	1.9	DPFR134a-08
JDE 321404-13 BC	1/2" B	13.0 × 23.0	13.0±0.2	23.0±0.3	5.0	0.4	35	500	220	3200	70.0	1.9	DPFR134a-08
JDE 321404-16 C	5/8"	16.0 × 28.6	16.0±0.2	28.6±0.3	6.1	0.4	15	200	180	2600	85.0	1.9	DPFR134a-10
JDE 321404-08 C	φ8.0	8.2 × 15.2	8.2±0.2	15.2±0.3	3.5	0.4	35	500	280	3300	55.0	1.9	DPFR134a-05
JDE 321404-11 C	φ11.2	11.4 × 18.4	11.4±0.2	18.4±0.3	3.5	0.4	35	500	220	3200	70.0	1.9	DPFR134a-06
JDE 321404-13 C	φ13.0	13.0 × 21.0	13.0±0.2	21.0±0.3	4.0	0.4	35	500	200	2900	75.0	1.9	DPFR134a-08
JDE 321404-15 C	φ15.2	15.2 × 23.0	15.2±0.2	23.0±0.3	3.9	0.4	35	500	180	2600	85.0	1.9	DPFR134a-10

Marking / Layline (Printing, Ink, Embossed)



**Cover Type:**  
Smooth, Wrapped

**Packing Type:**  
Roll, Pallet

**Outward Appearance:**  
● Black



## A/C Hose Type C 7 Layer Winding

Applicable Specs:

- SAE J2064
- SAE J3062
- QC/T664

Applications:



Italy Technology Equipment

Product Series:



New-Standard

**Tube:**  
EPDM/CSM/IIR



**Barrier:**  
PA/NYLON



**Friction:**  
EPDM/CSM/IIR



**Reinforcement:**  
Winding PET/PVA



**Cover:**  
EPDM



**Fittings:**  
DPFR134a-XX (X: Can choose)



**Working Pressure:**  
35 Bar / 500 PSI



**Temperature:**  
• -40 °C to +135 °C



**Media:**  
refrigerant  
• R134a  
• R404a  
• R1234yf

#	Hose Size		I.D.	O.D.	W.T.	W.D.	Operating Pressure		Burst Pressure		Bend Radius	Permeability	Ferrule
	Dash Size	Spec					bar	psi	bar	psi			
JDE 321413-08 C	5/16"	8.2 × 19.0	8.2±0.2	19.0±0.3	5.5	0.4	35	500	210	3000	55.0	1.9	DPFR134a-05
JDE 321413-10 C	13/32"	10.5 × 23.0	10.5±0.2	23.0±0.3	6.2	0.4	35	500	210	3000	65.0	1.9	DPFR134a-06
JDE 321413-13 AC	1/2" A	13.0 × 25.4	13.0±0.2	25.4±0.3	6.2	0.4	35	500	220	3200	75.0	1.9	DPFR134a-08
JDE 321413-13 BC	1/2" B	13.0 × 23.0	13.0±0.2	23.0±0.3	5.0	0.4	35	500	220	3200	70.0	1.9	DPFR134a-08
JDE 321413-16 C	5/8"	16.0 × 28.6	16.0±0.2	28.6±0.3	6.1	0.4	15	200	180	2600	85.0	1.9	DPFR134a-10

Marking / Layline (Printing, Ink, Embossed)



**Cover Type:**  
Smooth, Wrapped

**Packing Type:**  
Roll, Pallet

**Outward Appearance:**  
● Black



## A/C Hose Type E 4 Layer Braiding

Applicable Specs:

- SAE J2064
- SAE J3062
- QC/T664

Applications:



Italy Technology Equipment

Product Series:



New-Standard

Barrier:  
PA/NYLON



Friction:  
EPDM/CSM/IIR



Reinforcement:  
Braided PET/PVA



Cover:  
EPDM



Fittings:

DPFR134a-XX (X: Can choose)



Working Pressure:

35 Bar / 500 PSI



Temperature:

• -40 °C to +135 °C



Media:

- refrigerant
- R134a
- R404a
- R1234yf

#	Hose Size		I.D.	O.D.	W.T.	W.D.	Operating Pressure		Burst Pressure	Bend Radius	Permeability	Ferrule	
	Dash Size	Spec					bar	psi					bar
JDE 321404-08 E	φ8.0	8.2 × 15.2	8.2±0.2	15.2±0.3	3.5	0.4	35	500	280	3300	55.0	1.9	DPFR134a-05
JDE 321404-11 E	φ11.2	11.4 × 18.4	11.4±0.2	18.4±0.3	3.5	0.4	35	500	220	3200	70.0	1.9	DPFR134a-06
JDE 321404-13 E	φ13.0	13.0 × 21.0	13.0±0.2	21.0±0.3	4.0	0.4	35	500	200	2900	75.0	1.9	DPFR134a-08
JDE 321404-15 E	φ15.2	15.2 × 23.0	15.2±0.2	23.0±0.3	3.9	0.4	35	500	180	2600	85.0	1.9	DPFR134a-10

Marking / Layline (Printing, Ink, Embossed)



Cover Type:  
Smooth, Wrapped



Packing Type:  
Roll, Pallet



Outward Appearance:  
● Black



## A/C Hose Type E 6 Layer Winding

Applicable Specs:

- SAE J2064
- SAE J3062
- QC/T664

Applications:



Italy Technology Equipment

Product Series:



New-Standard

Barrier:  
PA/NYLON



Friction:  
EPDM/CSM/IIR



Reinforcement:  
Braided PET/PVA



Cover:  
EPDM



Fittings:

DPFR134a-XX (X: Can choose)



Working Pressure:

15–35 Bar / 200–500 PSI



Temperature:

• -40 °C to +135 °C



Media:

- refrigerant
- R134a
- R404a
- R1234yf

#	Hose Size		I.D.	O.D.	W.T.	W.D.	Operating Pressure		Burst Pressure	Bend Radius	Permeability	Ferrule	
	Dash Size	Spec					bar	psi					bar
JDE 321413-08 E	5/16"	8.2 × 19.0	8.2±0.2	19.0±0.3	5.5	0.4	35	500	210	3000	55.0	1.6	DPFR134a-05
JDE 321413-10 E	13/32"	10.5 × 23.0	10.5±0.2	23.0±0.3	6.2	0.4	35	500	210	3000	65.0	1.6	DPFR134a-06
JDE 321413-13 E	1/2" A	13.0 × 25.4	13.0±0.2	25.4±0.3	6.2	0.4	35	500	220	3200	70.0	1.6	DPFR134a-08
JDE 321413-13 E	1/2" B	13.0 × 23.0	13.0±0.2	23.0±0.3	5.0	0.4	35	500	220	3200	70.0	1.6	DPFR134a-08
JDE 321413-16 E	5/8"	16.0 × 28.6	16.0±0.2	28.6±0.3	6.1	0.4	15	200	180	2600	85.0	1.6	DPFR134a-10

Marking / Layline (Printing, Ink, Embossed)



Cover Type:  
Smooth, Wrapped



Packing Type:  
Roll, Pallet



Outward Appearance:  
● Black







# SUPER PRESSURE



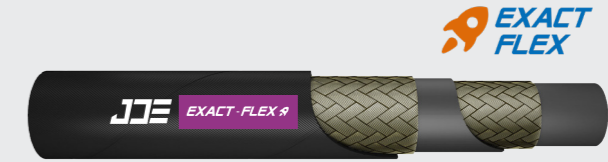
## Application



## Jack Hose

### Applicable Specs:

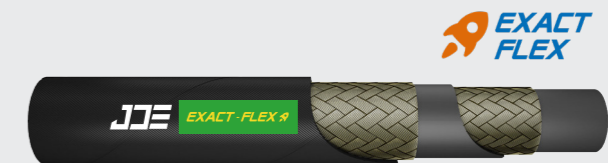
- JACK HOSE 70 MPa



## SAE R19

### Applicable Specs:

- SAE 100R19



## 1SNK

### Applicable Specs:

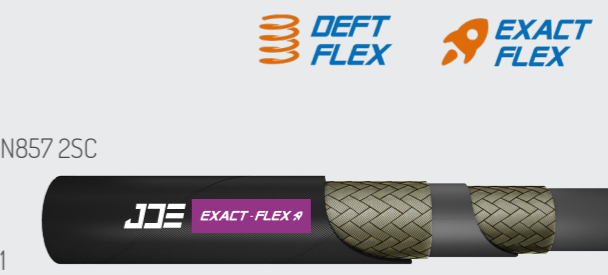
- ISO 18752 1BC/ICC
- DIN EN 857 1SC+-Exceeds EN857 1SC
- DIN EN 853 1SNK-Exceeds EN853 1SN
- ISO 1436:2009
- TS 6387 EN857 1SC
- ISO 1307
- ISO 6805
- EN 13463-1



## 2SNK

### Applicable Specs:

- ISO 18752 2BC/2CC
- DIN EN 857 2SC+-Exceeds EN857 2SC
- DIN EN 853 2SNK-Exceeds EN853 2SN
- ISO 1436:2009
- TS 6387 EN857 2SC
- ISO 1307
- ISO 6805
- EN 13463-1



## 1SC+

### Applicable Specs:

- DIN EN857 1SC+-Exceeds EN 857 1SC
- DIN EN853 2SNK-Exceeds EN 853 2SN
- ISO 1436:2009
- TS 6387 EN857 1SC
- ISO 1307
- ISO 6805
- EN 13463-1



## 2SC+

### Applicable Specs:

- DIN EN857 1SC+-Exceeds EN 857 1SC
- DIN EN853 2SNK-Exceeds EN 853 2SN
- ISO 1436:2009
- TS 6387 EN857 1SC
- ISO 1307
- ISO 6805
- EN 13463-1



# JACK Hose Wire Braided Fluid Hose

Applicable Specs:  
■ JACK HOSE 70 MPa

Applications:



German Technology Equipment

Product Series:

Super Impulse & Pressure

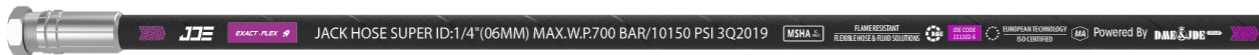
- Internal hose:** Synthetic rubber, extruded whole without joints, of uniform thickness
- Reinforcement:** 2 layers of steel wire braid
- Covering:** Anti-abrasive synthetic rubber, resistant to oils, fuels and atmospheric conditions
- Fittings:**
  - Ferrule: No-skive Type DPF2T
  - Insert: DPX2XX (X: Can choose)
  - Certificate: MSHA & BV & GOST & IATF 16949 & ISO 9001 & ISO 14001 & ISO 45001 & DAKKS & SGS & MA & DEKRA Approved



- Working Pressure:** 700 Bar / 70 Mpa / 10150 PSI
- Impulse times:** ≥ 200,000 Times
- Temperature:**
  - 40 °C to +100 °C (intermittent 120 °C)
  - 40 °C to +70 °C for water based fluids
  - 0 °C to +70 °C hot air
  - Prolonged operation at extreme temperatures will reduce hoses life*
- Media:** Hydraulic jacking system with petroleum and water based fluids. 10000 PSI static pressure only

#	Hose Size		I.D.	R.O.D.	O.D.	Operating Pressure		Burst Pressure		Bend Radius	Weight	Length Per PCS	Ferrule
Part Number	Dash Size	mm	inch	mm	mm	bar	psi	bar	psi	mm	kgs/m	meter	DME Code
EXA 811102-06	-04	6.4	1/4"	6.2-7.0	12.8	700	10150	1400	20300	100	0.372	50/100	DPF2T-04
EXA 811102-10	-06	9.5	3/8"	9.3-10.1	16.7	700	10150	1400	20300	130	0.560	50/100	DPF2T-06

Marking / Layline (Printing, Ink, Embossed)



- Cover Type:** Wrapped, Smooth
- Packing Type:** Roll, Pallet, Reel
- Outward Appearance:** ● Black



Powered by DME&JDE Group

# SAE R19 Wire Braided Fluid Hose

Applicable Specs:  
■ SAE 100R19

Applications:



German Technology Equipment

Product Series:

Super Impulse & Pressure

- Internal hose:** Synthetic rubber, extruded whole without joints, of uniform thickness
- Reinforcement:** 2 layers of steel wire braid
- Covering:** Anti-abrasive synthetic rubber, resistant to oils, fuels and atmospheric conditions
- Fittings:**
  - Ferrule: No-skive Type DPF2T
  - Insert: DPX2XX (X: Can choose)
  - Certificate: MSHA & BV & GOST & IATF 16949 & ISO 9001 & ISO 14001 & ISO 45001 & DAKKS & SGS & MA & DEKRA Approved



- Working Pressure:** 280 Bar / 28 Mpa / 4060 PSI
- Impulse times:** ≥ 200,000 Times
- Temperature:**
  - 40 °C to +100 °C (intermittent 120 °C)
  - 40 °C to +70 °C for water based fluids
  - 0 °C to +70 °C hot air
  - Prolonged operation at extreme temperatures will reduce hoses life*
- Media:** Mineral and biological oils, glycol-water based, water, lubricants

#	Hose Size		I.D.	R.O.D.	O.D.	Operating Pressure		Burst Pressure		Bend Radius	Weight	Length Per PCS	Ferrule	
Part Number	Dash Size	mm	inch	mm	mm	bar	psi	bar	psi	mm	kgs/m	meter	DME Code	
EXA 311119-06	-04	6.4	1/4"	6.2-7.0	12.4 Max	14.4 Max	280	4060	1120	16240	100	0.290	50/100	DPF2T-04
EXA 311119-08	-05	8.0	5/16"	7.7-8.5	14.2 Max	16.3 Max	280	4060	1120	16240	115	0.330	50/100	DPF2T-05
EXA 311119-10	-06	9.5	3/8"	9.3-10.1	16.0 Max	18.0 Max	280	4060	1120	16240	125	0.420	50/100	DPF2T-06
EXA 311119-12	-08	12.7	1/2"	12.3-13.5	20.4 Max	22.6 Max	280	4060	1120	16240	180	0.550	50/100	DPF2T-08
EXA 311119-16	-10	16.0	5/8"	15.5-16.7	25.9 Max	27.5 Max	280	4060	1120	16240	205	0.650	50/100	DPF2T-10
EXA 311119-19	-12	19.0	3/4"	18.6-19.8	29.7 Max	32.5 Max	280	4060	1120	16240	240	0.790	50/100	DPF2T-12
EXA 311119-25	-16	25.4	1"	25.0-26.4	39.4 Max	39.4 Max	280	4060	1120	16240	300	1.180	50/100	DPF2T-16

Marking / Layline (Printing, Ink, Embossed)



- Cover Type:** Wrapped
- Packing Type:** Roll, Pallet, Reel
- Outward Appearance:** ● Black



Powered by DME&JDE Group



# 1SNK Wire Braided Fluid Hose

Applicable Specs:

- ISO 18752 1BC/1CC
- DIN EN 857 1SC+-Exceeds EN857 1SC
- DIN EN 853 1SNK-Exceeds EN853 1SN
- ISO 1436:2009
- TS 6387 EN857 1SC
- ISO 1307
- ISO 6805
- EN 13463-1

Applications:



**German Technology Equipment**

Product Series:

Ultra Soft & Flexible

Super Impulse & Pressure

- Internal hose:** Synthetic rubber, extruded whole without joints, of uniform thickness
- Reinforcement:** 1 layer of steel wire braid
- Covering:** Anti-abrasive synthetic rubber, resistant to oils, fuels and atmospheric conditions
- Fittings:**
  - Ferrule: No-skive Type DPF2T
  - Insert: DPX2XX (X: Can choose)
  - Certificate: MSHA & BV & GOST & IATF 16949 & ISO 9001 & ISO 14001 & ISO 45001 & DAKKS & SGS & MA & DEKRA Approved



- Working Pressure:** 110–290 Bar / 1595–4205 PSI
- Impulse times:** ≥ 300,000 Times
- Temperature:**
  - 40 °C to +100 °C (intermittent 120 °C)
  - 40 °C to +70 °C for water based fluids
  - 0 °C to +70 °C hot air
  - Prolonged operation at extreme temperatures will reduce hoses life*
- Media:** Mineral and biological oils, glycol-water based, water, lubricants

#	Hose Size		I.D.	R.O.D.	O.D.	Operating Pressure		Burst Pressure	Bend Radius	Weight	Length Per PCS	Ferrule		
Part Number	Dash Size	mm	inch	mm	mm	mm	bar	psi	bar	psi	mm	kgs/m	meter	DME Code
EXA 211121-06	-04	6.4	1/4"	6.1-6.9	9.4-10.0	11.4-12.0	290	4205	1160	16820	75	0.190	50/100	DPF2T-04
EXA 211121-08	-05	8.0	5/16"	7.7-8.5	11.1-11.7	13.1-13.7	250	3625	1000	14500	85	0.220	50/100	DPF2T-05
EXA 211121-10	-06	9.5	3/8"	9.3-10.1	13.2-13.8	15.2-15.8	230	3335	920	13340	90	0.250	50/100	DPF2T-06
EXA 211121-12	-08	12.7	1/2"	12.3-13.5	16.6-17.2	18.6-19.2	200	2900	800	11600	130	0.350	50/100	DPF2T-08
EXA 211121-16	-10	16.0	5/8"	15.5-16.7	20.1-20.7	22.0-22.8	150	2175	600	8700	150	0.450	50/100	DPF2T-10
EXA 211121-19	-12	19.0	3/4"	18.6-19.8	23.5-24.3	25.5-26.3	125	1812.5	500	7250	180	0.500	50/100	DPF2T-12
EXA 211121-25	-16	25.4	1"	25.0-26.4	31.2-32.0	33.6-34.4	110	1595	440	6380	230	0.750	50/100	DPF2T-16

Marking / Layline (Printing, Ink, Embossed)



- Cover Type:** Wrapped
- Packing Type:** Roll, Pallet, Reel
- Outward Appearance:** ● Black



# 2SNK Wire Braided Fluid Hose

Applicable Specs:

- ISO 18752 2BC/2CC
- DIN EN 857 2SC+-Exceeds EN857 2SC
- DIN EN 853 2SNK-Exceeds EN853 2SN
- ISO 1436:2009
- TS 6387 EN857 2SC
- ISO 1307
- ISO 6805
- EN 13463-1

Applications:



**German Technology Equipment**

Product Series:

Ultra Soft & Flexible

Super Impulse & Pressure

- Internal hose:** Synthetic rubber, extruded whole without joints, of uniform thickness
- Reinforcement:** 2 layers of steel wire braid
- Covering:** Anti-abrasive synthetic rubber, resistant to oils, fuels and atmospheric conditions
- Fittings:**
  - Ferrule: No-skive Type DPF2T
  - Insert: DPX2XX (X: Can choose)
  - Certificate: MSHA & BV & GOST & IATF 16949 & ISO 9001 & ISO 14001 & ISO 45001 & DAKKS & SGS & MA & DEKRA Approved



- Working Pressure:** 200–450 Bar / 2900–6525 PSI
- Impulse times:** ≥ 400,000 Times
- Temperature:**
  - 40 °C to +100 °C (intermittent 120 °C)
  - 40 °C to +70 °C for water based fluids
  - 0 °C to +70 °C hot air
  - Prolonged operation at extreme temperatures will reduce hoses life*
- Media:** Mineral and biological oils, glycol-water based, water, lubricants

#	Hose Size		I.D.	R.O.D.	O.D.	Operating Pressure		Burst Pressure	Bend Radius	Weight	Length Per PCS	Ferrule		
Part Number	Dash Size	mm	inch	mm	mm	mm	bar	psi	bar	psi	mm	kgs/m	meter	DME Code
EXA 211122-06	-04	6.4	1/4"	6.1-6.9	11.1-11.7	12.8-13.4	450	6525	1800	26100	75	0.290	50/100	DPF2T-04
EXA 211122-08	-05	8.0	5/16"	7.7-8.5	12.7-13.3	14.7-15.3	420	6090	1680	24360	85	0.330	50/100	DPF2T-05
EXA 211122-10	-06	9.5	3/8"	9.3-10.1	14.7-15.3	16.7-17.3	385	5582.5	1540	22330	90	0.420	50/100	DPF2T-06
EXA 211122-12	-08	12.7	1/2"	12.3-13.5	18.4-19.0	20.4-21.0	345	5002.5	1380	20010	130	0.550	50/100	DPF2T-08
EXA 211122-16	-10	16.0	5/8"	15.5-16.7	21.7-22.3	23.6-24.4	290	4205	1160	16820	150	0.650	50/100	DPF2T-10
EXA 211122-19	-12	19.0	3/4"	18.6-19.8	25.3-26.1	27.3-28.1	280	4060	1120	16240	180	0.790	50/100	DPF2T-12
EXA 211122-25	-16	25.4	1"	25.0-26.4	32.8-33.6	35.2-36.0	200	2900	800	11600	230	1.180	50/100	DPF2T-16

Marking / Layline (Printing, Ink, Embossed)



- Cover Type:** Wrapped
- Packing Type:** Roll, Pallet, Reel
- Outward Appearance:** ● Black



# 1SC+ Wire Braided Fluid Hose

Applicable Specs:

- DIN EN857 1SC+-Exceeds EN 857 1SC
- ISO 1436:2009
- TS 6387 EN857 1SC
- ISO 1307
- ISO 6805
- EN 13463-1

Applications:



**German Technology Equipment**

Product Series:

Ultra Soft & Flexible

Super Impulse & Pressure

- Internal hose:** Synthetic rubber, extruded whole without joints, of uniform thickness
- Reinforcement:** 1 layer of steel wire braid
- Covering:** Anti-abrasive synthetic rubber, resistant to oils, fuels and atmospheric conditions
- Fittings:** Ferrule: No-skive Type DPF2T • Insert: DPX1XX (X: Can choose) • Certificate: MSHA & BV & GOST & IATF 16949 & ISO 9001 & ISO 14001 & ISO 45001 & DAKKS & SGS & MA & DEKRA Approved



- Working Pressure:** 110–209 Bar / 1595–4205 PSI
- Impulse times:** ≥ 300,000 Times
- Temperature:**
  - -40 °C to +100 °C (intermittent 120 °C)
  - -40 °C to +70 °C for water based fluids
  - 0 °C to +70 °C hot air
  - Prolonged operation at extreme temperatures will reduce hoses life
- Media:** Mineral and biological oils, glycol-water based, water, lubricants

#	Hose Size		I.D.	R.O.D.	O.D.	Operating Pressure		Burst Pressure	Bend Radius	Weight	Length Per PCS	Ferrule		
	Dash Size	mm				inch	bar						psi	bar
EXA 211161-06	-04	6.4	1/4"	6.1-6.9	10.3	12.1	290	4205	1160	16820	75	0.190	50/100	DPF2T-04
EXA 211161-08	-05	8.0	5/16"	7.7-8.5	11.7	13.7	250	3625	1000	14500	85	0.220	50/100	DPF2T-05
EXA 211161-10	-06	9.5	3/8"	9.3-10.1	13.6	15.9	230	3335	920	13340	90	0.250	50/100	DPF2T-06
EXA 211161-12	-08	12.7	1/2"	12.3-13.5	16.9	19.2	200	2900	800	11600	130	0.350	50/100	DPF2T-08
EXA 211161-16	-10	16.0	5/8"	15.5-16.7	20.3	22.3	150	2175	600	8700	150	0.450	50/100	DPF2T-10
EXA 211161-19	-12	19.0	3/4"	18.6-19.8	23.9	26.1	125	1812.5	500	7250	180	0.500	50/100	DPF2T-12
EXA 211161-25	-16	25.4	1"	25.0-26.4	31.0	3.2	110	1595	440	6380	230	0.750	50/100	DPF2T-16

Marking / Layline (Printing, Ink, Embossed)



- Cover Type:** Wrapped
- Packing Type:** Roll, Pallet, Reel
- Outward Appearance:** ● Black



# 2SC+ Wire Braided Fluid Hose

Applicable Specs:

- DIN EN857 2SC+-Exceeds EN 857 2SC
- DIN EN853 2SNK-Exceeds EN 853 2SN
- ISO 1436:2009
- TS 6387 EN857 2SC
- ISO 1307
- ISO 6805
- EN 13463-1

Applications:



**German Technology Equipment**

Product Series:

Ultra Soft & Flexible

Super Impulse & Pressure

- Internal hose:** Synthetic rubber, extruded whole without joints, of uniform thickness
- Reinforcement:** 2 layers of steel wire braid
- Covering:** Anti-abrasive synthetic rubber, resistant to oils, fuels and atmospheric conditions
- Fittings:** Ferrule: No-skive Type DPF2T • Insert: DPX2XX (X: Can choose) • Certificate: MSHA & BV & GOST & IATF 16949 & ISO 9001 & ISO 14001 & ISO 45001 & DAKKS & SGS & MA & DEKRA Approved



- Working Pressure:** 200–450 Bar / 2900–6525 PSI
- Impulse times:** ≥ 400,000 Times
- Temperature:**
  - -40 °C to +100 °C (intermittent 120 °C)
  - -40 °C to +70 °C for water based fluids
  - 0 °C to +70 °C hot air
  - Prolonged operation at extreme temperatures will reduce hoses life
- Media:** Mineral and biological oils, glycol-water based, water, lubricants

#	Hose Size		I.D.	R.O.D.	O.D.	Operating Pressure		Burst Pressure	Bend Radius	Weight	Length Per PCS	Ferrule		
	Dash Size	mm				inch	mm						mm	mm
EXA 211162-06	-04	6.4	1/4"	6.1-6.9	11.4	13.4	450	6525	1800	26100	75	0.290	50/100	DPF2T-04
EXA 211162-08	-05	8.0	5/16"	7.7-8.5	13.0	15.0	420	6090	1680	24360	85	0.330	50/100	DPF2T-05
EXA 211162-10	-06	9.5	3/8"	9.3-10.1	14.9	17.0	385	5582.5	1540	22330	90	0.420	50/100	DPF2T-06
EXA 211162-12	-08	12.7	1/2"	12.3-13.5	18.7	20.7	345	5002.5	1380	20010	130	0.550	50/100	DPF2T-08
EXA 211162-16	-10	16.0	5/8"	15.5-16.7	21.9	23.6	290	4205	1160	16820	150	0.650	50/100	DPF2T-10
EXA 211162-19	-12	19.0	3/4"	18.6-19.8	25.7	27.7	280	4060	1120	16240	180	0.790	50/100	DPF2T-12
EXA 211162-25	-16	25.4	1"	25.0-26.4	32.9	35.6	200	2900	800	11600	230	1.180	50/100	DPF2T-16

Marking / Layline (Printing, Ink, Embossed)



- Cover Type:** Wrapped
- Packing Type:** Roll, Pallet, Reel
- Outward Appearance:** ● Black







# SUPER IMPULSE



## Application



## Super 4SP+



### Applicable Specs:

- DIN 20023 PART 1 TYPE 4SP
- TS 10548
- ISO 1307
- ISO 8030 / EN 1804 / EN 13463-1
- ISO 4413
- ISO 3862 4SP



## Super 4SH+



### Applicable Specs:

- DIN 20023 PART 1 TYPE 4SH
- TS 10548
- ISO 1307
- ISO 8030 / EN 1804-3 / ISO 6805 ISO 4413
- ISO 3862 4SH



## Super R12+



### Applicable Specs:

- SAE 100R12 / EN 856 R12
- TS 10548
- ISO 1307
- ISO 3862 R12



## Super R13+



### Applicable Specs:

- SAE 100R13
- TS 10548 / PG-G-32010
- ISO 1307
- EN 1804-3 / ISO 13463-1
- ISO 3862 R13



## Super R15+



### Applicable Specs:

- SAE 100R15
- ISO 1307
- ISO 3862 R15



# Super 4SP+ Wire Spiral Fluid Hose



Applicable Specs:

- DIN 20023 PART 1 TYPE 4SP ■ TS 10548 ■ ISO 1307 ■ ISO 8030 / EN 1804 / EN 13463-1
- ISO 4413 ■ ISO 3862 4SP

Applications:



American Technology Equipment

Product Series:



Super Impulse & Pressure

**Internal hose:**  
Synthetic rubber, extruded whole without joints, of uniform thickness

**Reinforcement:**  
4 layers of steel wire spiral

**Covering:**  
Anti-abrasive synthetic rubber, resistant to oils, fuels and atmospheric conditions

**Fittings:**  
Ferrule: No-skive Type DPF4T •  
Insert: DPX4XX (X: Can choose) •  
Certificate: MSHA & BV & GOST & IATF 16949 & ISO 9001 & ISO 14001 & ISO 45001 & DAKKS & SGS & MA & DEKRA Approved



**Working Pressure:**  
165–445 Bar / 2392.5-6452.5 PSI

**Impulse times:**  
≥ 1,000,000 Times

**Temperature:**  
• -40 °C to +120 °C (intermittent 125 °C)  
• -40 °C to +70 °C for water based fluids  
• 0 °C to +70 °C hot air  
• Prolonged operation at extreme temperatures will reduce hoses life

**Media:**  
Hydraulic fluids petroleum based (mineral oils), glycol-water based, water, lubricants

#	Hose Size		I.D.	R.O.D.	O.D.	Operating Pressure		Burst Pressure	Bend Radius	Weight	Length Per PCS	Ferrule		
	Dash Size	mm				inch	bar						psi	bar
EXA 211104-10	-06	9.5	3/8"	9.3-10.1	16.9-18.1	20.6-22.2	445	6452.5	1780	25810	180	0.700	20/40	DPF4T-06
EXA 211104-12	-08	12.7	1/2"	12.3-13.5	19.4-21.0	23.8-25.4	415	6017.5	1660	24070	230	0.800	20/40	DPF4T-08
EXA 211104-16	-10	16.0	5/8"	15.5-16.7	23.0-24.6	27.4-29.0	350	5075	1400	20300	250	0.975	20/40	DPF4T-10
EXA 211104-19	-12	19.0	3/4"	18.6-19.8	27.4-29.0	31.4-33.0	350	5075	1400	20300	300	1.450	20/40	DPF4T-12
EXA 211104-25	-16	25.4	1"	25.0-26.4	34.5-36.1	38.5-40.9	280	4060	1120	16240	340	2.050	20/40	DPF4T-16
EXA 211104-32	-20	31.8	1-1/4"	31.4-33.0	45.0-47.0	49.2-52.4	210	3045	840	12180	460	3.060	20/40	DPF4T-20
EXA 211104-38	-24	38.1	1-1/2"	37.7-39.3	51.4-53.4	55.6-58.8	185	2682.5	740	10730	560	3.650	20/40	DPF4T-24
EXA 211104-51	-32	50.8	2"	50.4-52.0	64.3-66.3	68.2-71.4	165	2392.5	660	9570	660	4.850	20/40	DPF4T-32

Marking / Layline (Printing, Ink, Embossed)



**Cover Type:**  
Wrapped

**Packing Type:**  
Roll, Pallet, Reel

**Outward Appearance:**  
● Black



Powered by DME&JDE Group

# Super 4SH+ Wire Spiral Fluid Hose



Applicable Specs:

- DIN 20023 PART 2 TYPE 4SH ■ TS 10548 / PG-G-32010 ■ ISO 1307
- ISO 8030 / EN 1804-3 / ISO 6805 ISO 4413 ■ ISO 3862 4SH

Applications:



American Technology Equipment

Product Series:



Super Impulse & Pressure

**Internal hose:**  
Synthetic rubber, extruded whole without joints, of uniform thickness

**Reinforcement:**  
4 layers of steel wire spiral

**Covering:**  
Anti-abrasive synthetic rubber, resistant to oils, fuels and atmospheric conditions

**Fittings:**  
Ferrule: No-skive Type DPF4T •  
Insert: DPX4XX (X: Can choose) •  
Certificate: MSHA & BV & GOST & IATF 16949 & ISO 9001 & ISO 14001 & ISO 45001 & DAKKS & SGS & MA & DEKRA Approved



**Working Pressure:**  
250-420 Bar/3625-6090 PSI

**Impulse times:**  
≥ 1,000,000 Times

**Temperature:**  
• -40 °C to +120 °C (intermittent 125 °C)  
• -40 °C to +70 °C for water based fluids  
• 0 °C to +70 °C hot air  
• Prolonged operation at extreme temperatures will reduce hoses life

**Media:**  
Hydraulic fluids petroleum based (mineral oils), glycol-water based, water, lubricants

#	Hose Size		I.D.	R.O.D.	O.D.	Operating Pressure		Burst Pressure	Bend Radius	Weight	Length Per PCS	Ferrule		
	Dash Size	mm				inch	mm						mm	mm
EXA 211114-19	-12	19.0	3/4"	18.6-19.8	27.6-29.2	31.4-33.0	420	6090	1680	24360	280	1.600	20/40	DPF4T-12
EXA 211114-25	-16	25.4	1"	25.0-26.4	34.4-36.0	37.5-39.9	380	5510	1520	22040	340	2.200	20/40	DPF4T-16
EXA 211114-32	-20	31.8	1-1/4"	31.4-33.0	40.9-42.9	43.9-47.1	325	4712.5	1300	18850	460	2.750	20/40	DPF4T-20
EXA 211114-38	-24	38.1	1-1/2"	37.7-39.3	47.8-49.8	51.9-55.1	290	4205	1160	16820	560	3.750	20/40	DPF4T-24
EXA 211114-51	-32	50.8	2"	50.4-52.0	62.2-64.2	66.5-69.7	250	3625	1000	14500	700	4.950	20/40	DPF4T-32

Marking / Layline (Printing, Ink, Embossed)



**Cover Type:**  
Wrapped

**Packing Type:**  
Roll, Pallet, Reel

**Outward Appearance:**  
● Black



Powered by DME&JDE Group



# Super R12+ Wire Spiral Fluid Hose



Applicable Specs:

- SAE 100R12 / EN 856 R12
- TS 10548
- ISO 1307
- ISO 3862 R12

Applications:



American Technology Equipment

Product Series:



Super Impulse & Pressure

**Internal hose:**  
Synthetic rubber, extruded whole without joints, of uniform thickness

**Reinforcement:**  
4 layers of steel wire spiral

**Covering:**  
Anti-abrasive synthetic rubber, resistant to oils, fuels and atmospheric conditions

**Fittings:**  
Ferrule: No-skive Type DPF4T  
Insert: DPX4XX (X: Can choose)  
Certificate: MSHA & BV & GOST & IATF 16949 & ISO 9001 & ISO 14001 & ISO 45001 & DAKKS & SGS & MA & DEKRA Approved



**Working Pressure:**  
172-276 Bar / 2494-4002 PSI

**Impulse times:**  
≥ 1,000,000 Times

**Temperature:**  
• -40 °C to +120 °C (intermittent 125 °C)  
• -40 °C to +70 °C for water based fluids  
• 0 °C to +70 °C hot air  
• Prolonged operation at extreme temperatures will reduce hoses life

**Media:**  
Hydraulic fluids petroleum based (mineral oils), glycol-water based, water, lubricants

#	Hose Size		I.D.	R.O.D.	O.D.	Operating Pressure		Burst Pressure		Bend Radius	Weight	Length Per PCS	Ferrule	
	Dash Size	mm				inch	bar	psi	bar					psi
EXA 311112-10	-06	9.5	3/8"	9.3-10.1	16.6-17.8	19.5-21.0	280	4060	1120	16240	125	0.700	20/40	DPF4T-06
EXA 311112-12	-08	12.7	1/2"	12.3-13.5	19.9-21.5	23.0-24.6	280	4060	1120	16240	180	0.800	20/40	DPF4T-08
EXA 311112-16	-10	16.0	5/8"	15.5-16.7	23.8-25.4	26.6-28.8	280	4060	1120	16240	200	0.975	20/40	DPF4T-10
EXA 311112-19	-12	19.0	3/4"	18.6-19.8	26.9-28.4	29.9-31.5	280	4060	1120	16240	240	1.450	20/40	DPF4T-12
EXA 311112-25	-16	25.4	1"	25.0-26.4	34.1-35.7	36.8-39.2	280	4060	1120	16240	300	2.050	20/40	DPF4T-16
EXA 311112-32	-20	31.8	1-1/4"	31.4-33.0	42.7-45.1	45.4-48.6	210	3045	840	12180	420	3.060	20/40	DPF4T-20
EXA 311112-38	-24	38.1	1-1/2"	37.7-39.3	49.2-51.6	51.9-55.0	175	2538	700	10150	500	3.650	20/40	DPF4T-24
EXA 311112-51	-32	50.8	2"	50.4-52.0	62.5-64.8	65.1-68.3	175	2538	700	10150	630	4.850	20/40	DPF4T-32

Marking / Layline (Printing, Ink, Embossed)



**Cover Type:**  
Wrapped

**Packing Type:**  
Roll, Pallet, Reel

**Outward Appearance:**  
● Black



Powered by DME&JDE Group

# Super R13+ Wire Spiral Fluid Hose



Applicable Specs:

- SAE 100R13
- TS 10548 / PG-G-32010
- ISO 1307
- EN 1804-3 / ISO 13463-1
- ISO 3862 R13

Applications:



American Technology Equipment

Product Series:



Super Impulse & Pressure

**Internal hose:**  
Synthetic rubber, extruded whole without joints, of uniform thickness

**Reinforcement:**  
4 layers of high tensile steel wire spiral up to size 1", 6 layers of spiral from size 1-1/4" to 2"

**Covering:**  
Anti-abrasive synthetic rubber, resistant to oils, fuels and atmospheric conditions

**Fittings:**  
Ferrule: No-skive Type DPF4T  
Insert: DPX4XX (X: Can choose)  
Certificate: MSHA & BV & GOST & IATF 16949 & ISO 9001 & ISO 14001 & ISO 45001 & DAKKS & SGS & MA & DEKRA Approved



**Working Pressure:**  
350 Bar / 5075 PSI

**Impulse times:**  
≥ 1,000,000 Times

**Temperature:**  
• -40 °C to +120 °C (intermittent 125 °C)  
• -40 °C to +70 °C for water based fluids  
• 0 °C to +70 °C hot air  
• Prolonged operation at extreme temperatures will reduce hoses life

**Media:**  
Hydraulic fluids petroleum based (mineral oils), glycol-water based, water, lubricants

#	Hose Size		I.D.	R.O.D.	O.D.	Operating Pressure		Burst Pressure		Bend Radius	Weight	Length Per PCS	Ferrule	
	Dash Size	mm				inch	bar	psi	bar					psi
EXA 311113-19	-12	19.0	3/4"	18.6-19.8	28.2-29.8	31.0-33.2	350	5075	1400	20300	240	1.450	20/40	DPFR13-12
EXA 311113-25	-16	25.4	1"	25.0-26.4	34.9-36.4	37.6-39.8	350	5075	1400	20300	300	2.050	20/40	DPFR13-16
EXA 311113-32	-20	31.8	1-1/4"	31.4-33.0	45.6-48.0	48.3-51.3	350	5075	1400	20300	420	3.950	20/40	DPFR13-20
EXA 311113-38	-24	38.1	1-1/2"	37.7-39.3	53.1-55.5	55.8-58.8	350	5075	1400	20300	500	5.250	20/40	DPFR13-24
EXA 311113-51	-32	50.8	2"	50.4-52.0	66.9-69.3	69.5-72.7	350	5075	1400	20300	640	6.600	20/40	DPFR13-32

Marking / Layline (Printing, Ink, Embossed)



**Cover Type:**  
Wrapped

**Packing Type:**  
Roll, Pallet, Reel

**Outward Appearance:**  
● Black



Powered by DME&JDE Group

# Super R15+ Wire Spiral Fluid Hose



Applicable Specs:

- SAE 100R15
- ISO 1307
- ISO 3862 R15

Applications:



American Technology Equipment

Product Series:

Super Impulse & Pressure

**Internal hose:**  
Synthetic rubber, extruded whole without joints, of uniform thickness

**Reinforcement:**  
4 layers of high tensile steel wire spiral up to size 1",  
6 layers of spiral from size 1-1/4" to 2"

**Covering:**  
Anti-abrasive synthetic rubber, resistant to oils, fuels and atmospheric conditions

**Fittings:**  
Ferrule: No-skive Type DPF4T •  
Insert: DPX4XX (X: Can choose) •  
Certificate: MSHA & BV & GOST & IATF 16949 •  
& ISO 9001 & ISO 14001 & ISO 45001 •  
& DAKKS & SGS & MA & DEKRA Approved



**Working Pressure:**  
420 Bar / 6090PSI

**Impulse times:**  
≥ 1,000,000 Times

**Temperature:**

- 40 °C to +120 °C (intermittent 125 °C)
- 40 °C to +70 °C for water based fluids
- 0 °C to +70 °C hot air
- Prolonged operation at extreme temperatures will reduce hoses life

**Media:**  
Hydraulic fluids petroleum based (mineral oils),  
glicol-water based, water, lubricants

#	Icon	Icon	Icon	Icon	Icon	Icon	Icon	Icon	Icon	Icon	Icon	Icon	Icon	
Part Number	Hose Size		I.D.	R.O.D.	O.D.	Operating Pressure		Burst Pressure	Bend Radius	Weight	Length Per PCS	Ferrule		
I.D.	Dash Size	mm	inch	mm	mm	mm	bar	psi	bar	psi	mm	kgs/m	meter	DME Code
EXA 311115-10	-06	9.3	3/8"	9.3-10.1	20.3 MAX	23.3 MAX	420	6090	1680	24360	150	0.800	20/40	DPFR15-06
EXA 311115-12	-08	12.3	1/2"	12.3-13.5	24.0 MAX	26.8 MAX	420	6090	1680	24360	200	0.900	20/40	DPFR15-08
EXA 311115-19	-12	19.0	3/4"	18.6-19.8	32.9 MAX	36.1 MAX	420	6090	1680	24360	265	1.600	20/40	DPFR15-12
EXA 311115-25	-16	25.4	1"	25.0-26.4	38.9 MAX	42.9 MAX	420	6090	1680	24360	330	2.250	20/40	DPFR15-16
EXA 311115-32	-20	31.8	1-1/4"	31.4-33.0	48.4 MAX	51.5 MAX	420	6090	1680	24360	445	3.950	20/40	DPFR15-20
EXA 311115-38	-24	38.1	1-1/2"	37.7-39.3	56.3 MAX	59.6 MAX	420	6090	1680	24360	530	5.250	20/40	DPFR15-24
EXA 311115-51	-32	50.8	2"	37.7-39.3	-	-	420	6090	1680	24360	-	-	20/40	DPFR15-32

Marking / Layline (Printing, Ink, Embossed)



- Cover Type:** Wrapped
- Packing Type:** Roll, Pallet, Reel
- Outward Appearance:** ● Black



Powered by DME&JDE Group

# SUPER IMPULSE



Application







# SMOOTH COVER



## Application



## 1SC Smooth

### Applicable Specs:

- DIN EN 857 1SC
- ISO 1307
- ISO 1436:2009
- ISO 6805
- TS 6387 EN 857 1SC
- EN 13463-1



## 2SC Smooth

### Applicable Specs:

- DIN EN 857 2SC
- ISO 1307
- ISO 11237-1 2SC
- ISO 6805
- EN 1804-3



## 1SN/R1AT Smooth

### Applicable Specs:

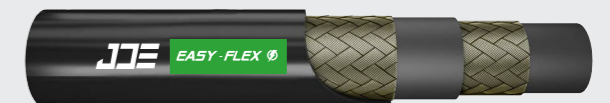
- DIN EN853 1SN
- EXCEEDS SAE 100R2AT
- ISO 1436:2009
- ISO 1307
- PN-EN ISO 8030 / PN-EN 13463
- PN-EN 1804-3+A1 / PN-EN ISO 4413
- ISO 6805
- EN 13463
- PN-G 32010



## 2SN/R2AT Smooth

### Applicable Specs:

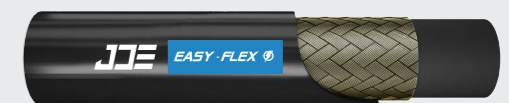
- DIN EN853 2SN
- EXCEEDS SAE 100R2AT
- ISO 1436:2009
- ISO 1307
- PN-EN ISO 8030 / PN-EN 13463
- PN-EN 1804-3+A1 / PN-EN ISO 4413
- ISO 6805
- EN 13463
- PN-G 32010



## 1ST/R1A Smooth

### Applicable Specs:

- DIN EN 853 1ST
- EXCEEDS SAE 100RIA
- ISO 1436:2009
- TS 6387 EN 853 1ST
- ISO 1307
- EN 1804-3
- ISO 6805
- EN 13463-1



## 2ST/R2A Smooth

### Applicable Specs:

- DIN EN 853 2ST
- EXCEEDS SAE 100R1A
- ISO 1436:2009
- TS 6387 EN 853 2ST
- ISO 1307
- EN 1804-3
- ISO 6805
- EN 13463-1



## R3 Smooth

### Applicable Specs:

- SAE 100R3
- ISO 4079
- ISO 1307



## R3 Red Smooth

### Applicable Specs:

- SAE 100R3
- ISO 4079
- ISO 1307



## R16 Smooth

### Applicable Specs:

- SAE 100R16
- ISO 11237-1 R16
- ISO 1307



## R17 Smooth

### Applicable Specs:

- SAE 100R17
- ISO 11237-1 R17
- ISO 1307



## 1TE Smooth

### Applicable Specs:

- DIN EN 853 1TE
- SAE 100R6
- DIN 20021 1TE
- TS 6388 EN 854 TIP 1TE
- ISO 4079-1TE
- ISO 1307



## 2TE Smooth

### Applicable Specs:

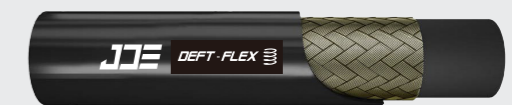
- DIN EN 853 2TE
- SAE 100R6
- DIN 20021 2TE
- TS 6388 EN 854 TIP 2TE
- ISO 4079-2TE
- ISO 1307



## Pilot Hose

### Applicable Specs:

- PILOT 12.5 MPa / 125 Bar





## Smooth Cover 1SC Wire Braided Fluid Hose

Applicable Specs:

- DIN EN 857 1SC ■ ISO 1436:2009 ■ TS 6387 EN 857 1SC ■ ISO 1307
- ISO 6805 ■ EN 13463-1

Applications:



German Technology Equipment

Product Series:



Ultra Soft & Flexible

**Internal hose:**  
Synthetic rubber, extruded whole without joints, of uniform thickness

**Reinforcement:**  
1 layer of steel wire braid

**Covering:**  
Anti-abrasive synthetic rubber, resistant to oils, fuels and atmospheric conditions

**Fittings:**  
Ferrule: No-skive Type DPF2T •  
Insert: DPX1XX (X: Can choose) •  
Certificate: MSHA & BV & GOST & IATF 16949 & ISO 9001 & ISO 14001 & ISO 45001 & DAKKS & SGS & MA & DEKRA Approved



**Working Pressure:**  
88–225 Bar / 1276–3262.5 PSI

**Impulse times:**  
≥ 150,000 Times

**Temperature:**  
• -40 °C to +100 °C (intermittent 120 °C)  
• -40 °C to +70 °C for water based fluids  
• 0 °C to +70 °C hot air  
• Prolonged operation at extreme temperatures will reduce hoses life

**Media:**  
Mineral and biological oils, glycol-water based, water, lubricants

#	Hose Size		I.D.	R.O.D.	O.D.	Operating Pressure		Burst Pressure		Bend Radius	Weight	Length Per PCS	Ferrule	
	Dash Size	mm				inch	bar	psi	bar					psi
DEF 221121-06	-04	6.4	1/4"	6.1-6.9	9.6-10.8	13.5 MAX.	225	3262.5	900	13050	75	0.190	50/100	DPF2T-04
DEF 221121-08	-05	8.0	5/16"	7.7-8.5	10.9-12.1	14.5 MAX.	215	3117.5	860	12470	85	0.220	50/100	DPF2T-05
DEF 221121-10	-06	9.5	3/8"	9.3-10.1	12.7-14.5	16.9 MAX.	180	2610	720	10440	90	0.250	50/100	DPF2T-06
DEF 221121-12	-08	12.7	1/2"	12.3-13.5	15.9-18.1	20.4 MAX.	160	2320	640	9280	130	0.350	50/100	DPF2T-08
DEF 221121-16	-10	16.0	5/8"	15.5-16.7	19.8-21.0	23.0 MAX.	130	1885	520	7540	150	0.450	50/100	DPF2T-10
DEF 221121-19	-12	19.0	3/4"	18.6-19.8	23.2-24.4	26.7 MAX.	105	1522.5	420	6090	180	0.500	50/100	DPF2T-12
DEF 221121-25	-16	25.4	1"	25.0-26.4	30.7-31.9	34.9 MAX.	88	1276	352	5104	230	0.750	50/100	DPF2T-16

Marking / Layline (Printing, Ink)



**Cover Type:** Smooth  
**Packing Type:** Roll, Pallet, Reel  
**Outward Appearance:** ● Black



Powered by DME&JDE Group

## Smooth Cover 2SC Wire Braided Fluid Hose

Applicable Specs:

- DIN EN 857 2SC ■ ISO 11237-1 2SC ■ EN 1804-3 ■ ISO 1307 ■ ISO 6805

Applications:



German Technology Equipment

Product Series:



Ultra Soft & Flexible

**Internal hose:**  
Synthetic rubber, extruded whole without joints, of uniform thickness

**Reinforcement:**  
2 layers of steel wire braid

**Covering:**  
Anti-abrasive synthetic rubber, resistant to oils, fuels and atmospheric conditions

**Fittings:**  
Ferrule: No-skive Type DPF2T •  
Insert: DPX2XX (X: Can choose) •  
Certificate: MSHA & BV & GOST & IATF 16949 & ISO 9001 & ISO 14001 & ISO 45001 & DAKKS & SGS & MA & DEKRA Approved



**Working Pressure:**  
165–400 Bar / 2392.5–5800 PSI

**Impulse times:**  
≥ 200,000 Times

**Temperature:**  
• -40 °C to +100 °C (intermittent 120 °C)  
• -40 °C to +70 °C for water based fluids  
• 0 °C to +70 °C hot air  
• Prolonged operation at extreme temperatures will reduce hoses life

**Media:**  
Mineral and biological oils, glycol-water based, water, lubricants

#	Hose Size		I.D.	R.O.D.	O.D.	Operating Pressure		Burst Pressure		Bend Radius	Weight	Length Per PCS	Ferrule	
	Dash Size	mm				inch	bar	psi	bar					psi
DEF 221122-06	-04	6.4	1/4"	6.1-6.9	10.6-11.7	14.2 MAX.	400	5800	1600	23200	75	0.290	50/100	DPF2T-04
DEF 221122-08	-05	8.0	5/16"	7.7-8.5	12.1-13.3	16.0 MAX.	350	5075	1400	20300	85	0.330	50/100	DPF2T-05
DEF 221122-10	-06	9.5	3/8"	9.3-10.1	14.4-15.6	18.3 MAX.	330	4785	1320	19140	90	0.420	50/100	DPF2T-06
DEF 221122-12	-08	12.7	1/2"	12.3-13.5	17.5-19.1	21.5 MAX.	275	3987.5	1100	15950	130	0.550	50/100	DPF2T-08
DEF 221122-16	-10	16.0	5/8"	15.5-16.7	20.5-22.3	24.7 MAX.	250	3625	1000	14500	150	0.650	50/100	DPF2T-10
DEF 221122-19	-12	19.0	3/4"	18.6-19.8	24.6-26.4	28.6 MAX.	215	3117.5	860	12470	180	0.790	50/100	DPF2T-12
DEF 221122-25	-16	25.4	1"	25.0-26.4	32.5-34.3	36.6 MAX.	165	2392.5	660	9570	230	1.180	50/100	DPF2T-16

Marking / Layline (Printing, Ink)



**Cover Type:** Smooth  
**Packing Type:** Roll, Pallet, Reel  
**Outward Appearance:** ● Black



Powered by DME&JDE Group

## Smooth Cover 1SN/R1AT Wire Braided Fluid Hose

Applicable Specs:

- DIN EN853 1SN ■ EXCEEDS SAE 100R2AT ■ ISO 1436:2009 ■ ISO 1307
- PN-EN ISO 8030 / PN-EN 13463 ■ PN-EN 1804-3+A1 / PN-EN ISO 4413 ■ ISO 6805
- EN 13463 ■ PN-G 32010

Applications:



German Technology Equipment

Product Series:

No-Skive

- Internal hose:** Synthetic rubber, extruded whole without joints, of uniform thickness
- Reinforcement:** 1 layer of steel wire braid
- Covering:** Anti-abrasive synthetic rubber, resistant to oils, fuels and atmospheric conditions
- Fittings:** Ferrule: No-skive Type DPF2T • Insert: DPX1XX (X: Can choose) • Certificate: MSHA & BV & GOST & IATF 16949 & ISO 9001 & ISO 14001 & ISO 45001 & DAKKS & SGS & MA & DEKRA Approved



- Working Pressure:** 88–250 Bar / 1276–3625 PSI
- Impulse times:** ≥ 150,000 Times
- Temperature:**
  - -40 °C to +100 °C (intermittent 120 °C)
  - -40 °C to +70 °C for water based fluids
  - 0 °C to +70 °C hot air
  - Prolonged operation at extreme temperatures will reduce hoses life
- Media:** Mineral and biological oils, glycol-water based, water, lubricants

#	Hose Size		I.D.	R.O.D.	O.D.	Operating Pressure		Burst Pressure		Bend Radius	Weight	Length Per PCS	Ferrule	
Part Number	Dash Size	mm	inch	mm	mm	mm	bar	psi	bar	psi	mm	kgs/m	meter	DME Code
EAS 221101-05	-03	4.8	3/16"	4.6-5.4	9.0-10.0	12.5 MAX.	250	3625	1000	14500	90	0.240	50/100	DPF2T-03
EAS 221101-06	-04	6.4	1/4"	6.2-7.0	10.6-11.6	14.1 MAX.	225	3262.5	900	13050	100	0.255	50/100	DPF2T-04
EAS 221101-08	-05	8.0	5/16"	7.7-8.5	12.1-13.3	15.7 MAX.	215	3117.5	860	12470	115	0.304	50/100	DPF2T-05
EAS 221101-10	-06	9.5	3/8"	9.3-10.1	14.5-15.7	18.1 MAX.	180	2610	720	10440	130	0.390	50/100	DPF2T-06
EAS 221101-12	-08	12.7	1/2"	12.3-13.5	17.5-19.1	21.4 MAX.	160	2320	640	9280	180	0.472	50/100	DPF2T-08
EAS 221101-16	-10	16.0	5/8"	15.5-16.7	20.6-22.2	24.5 MAX.	130	1885	520	7540	200	0.581	50/100	DPF2T-10
EAS 221101-19	-12	19.0	3/4"	18.6-19.8	24.6-26.2	28.5 MAX.	105	1522.5	420	6090	240	0.690	50/100	DPF2T-12
EAS 221101-25	-16	25.4	1"	25.0-26.4	32.5-34.1	36.6 MAX.	88	1276	352	5104	300	0.830	50/100	DPF2T-16

Marking / Layline (Printing, Ink)



Cover Type: Smooth

Packing Type: Roll, Pallet, Reel

Outward Appearance: ● Black

Certificate: ISO 9001, ISO 14001, MSHA, DAKKS, DEKRA, DIN, SAE, MA, WSP

## Smooth Cover 2SN/R2AT Wire Braided Fluid Hose

Applicable Specs:

- DIN EN853 2SN ■ EXCEEDS SAE 100R2AT ■ ISO 1436:2009 ■ ISO 1307
- PN-EN ISO 8030 / PN-EN 13463 ■ PN-EN 1804-3+A1 / PN-EN ISO 4413 ■ ISO 6805
- EN 13463 ■ PN-G 32010

Applications:



German Technology Equipment

Product Series:

No-Skive

- Internal hose:** Synthetic rubber, extruded whole without joints, of uniform thickness
- Reinforcement:** 2 layers of steel wire braid
- Covering:** Anti-abrasive synthetic rubber, resistant to oils, fuels and atmospheric conditions
- Fittings:** Ferrule: No-skive Type DPF2T • Insert: DPX2XX (X: Can choose) • Certificate: MSHA & BV & GOST & IATF 16949 & ISO 9001 & ISO 14001 & ISO 45001 & DAKKS & SGS & MA & DEKRA Approved



- Working Pressure:** 165–415 Bar / 2392.5–6017.5 PSI
- Impulse times:** ≥ 200,000 Times
- Temperature:**
  - -40 °C to +100 °C (intermittent 120 °C)
  - -40 °C to +70 °C for water based fluids
  - 0 °C to +70 °C hot air
  - Prolonged operation at extreme temperatures will reduce hoses life
- Media:** Mineral and biological oils, glycol-water based, water, lubricants

#	Hose Size		I.D.	R.O.D.	O.D.	Operating Pressure		Burst Pressure		Bend Radius	Weight	Length Per PCS	Ferrule	
Part Number	Dash Size	mm	inch	mm	mm	mm	bar	psi	bar	psi	mm	kgs/m	meter	DME Code
EAS 221102-05	-03	4.8	3/16"	4.6-5.4	9.0-10.0	14.1 MAX.	415	6017.5	1660	24070	90	0.340	50/100	DPF2T-03
EAS 221102-06	-04	6.4	1/4"	6.2-7.0	10.6-11.6	15.7 MAX.	400	5800	1600	23200	100	0.372	50/100	DPF2T-04
EAS 221102-08	-05	8.0	5/16"	7.7-8.5	12.1-13.3	17.3 MAX.	350	5075	1400	20300	115	0.430	50/100	DPF2T-05
EAS 221102-10	-06	9.5	3/8"	9.3-10.1	14.5-15.7	19.7 MAX.	330	4785	1320	19140	130	0.560	50/100	DPF2T-06
EAS 221102-12	-08	12.7	1/2"	12.3-13.5	17.5-19.1	23.0 MAX.	275	3987.5	1100	15950	180	0.640	50/100	DPF2T-08
EAS 221102-16	-10	16.0	5/8"	15.5-16.7	20.6-22.2	26.2 MAX.	250	3625	1000	14500	200	0.732	50/100	DPF2T-10
EAS 221102-19	-12	19.0	3/4"	18.6-19.8	24.6-26.2	30.1 MAX.	215	3117.5	860	12470	240	0.930	50/100	DPF2T-12
EAS 221102-25	-16	25.4	1"	25.0-26.4	32.5-34.1	38.9 MAX.	165	2392.5	660	9570	300	1.360	50/100	DPF2T-16

Marking / Layline (Printing, Ink)



Cover Type: Smooth

Packing Type: Roll, Pallet, Reel

Outward Appearance: ● Black

Certificate: ISO 9001, ISO 14001, MSHA, DAKKS, DEKRA, DIN, SAE, MA, WSP



## Smooth Cover 1ST Wire Braided Fluid Hose

Applicable Specs:

- DIN EN 853 1ST
- EXCEEDS SAE 100R1A
- ISO 1436:2009
- TS 6387 EN 853 1ST
- ISO 1307
- EN 1804-3
- ISO 6805
- EN 13463-1

Applications:



German Technology Equipment

Product Series:

**EASY-FIT**  
**EASY-FLEX**

No-Skive

**Internal hose:**  
Synthetic rubber, extruded whole without joints, of uniform thickness

**Reinforcement:**  
1 layer of steel wire braid

**Covering:**  
Anti-abrasive synthetic rubber, resistant to oils, fuels and atmospheric conditions

**Fittings:**  
Ferrule: No-skive Type DPF2T •  
Insert: DPX1XX (X: Can choose) •  
Certificate: MSHA & BV & GOST & IATF 16949 & ISO 9001 & ISO 14001 & ISO 45001 & DAKKS & SGS & MA & DEKRA Approved



**Working Pressure:**  
88-250 Bar/1276-3625 PSI

**Impulse times:**  
≥ 150,000 Times

**Temperature:**  
• -40 °C to +100 °C (intermittent 120 °C)  
• -40 °C to +70 °C for water based fluids  
• 0 °C to +70 °C hot air  
• Prolonged operation at extreme temperatures will reduce hoses life

**Media:**  
Mineral and biological oils, glycol-water based, water, lubricants

#	Hose Size		I.D.	R.O.D.	O.D.	Operating Pressure		Burst Pressure		Bend Radius	Weight	Length Per PCS	Ferrule	
Part Number	Dash Size	mm	inch	mm	mm	bar	psi	bar	psi	mm	kgs/m	meter	DME Code	
EAS 221111-05	-03	4.8	3/16"	4.6-5.4	9.0-10.0	11.9-13.5	250	3625	1000	14500	90	0.264	50/100	DPF2T-03
EAS 221111-06	-04	6.4	1/4"	6.2-7.0	10.6-11.6	15.1-16.7	225	3262.5	900	13050	100	0.281	50/100	DPF2T-04
EAS 221111-08	-05	8.0	5/16"	7.7-8.5	12.1-13.3	16.7-18.3	215	3117.5	860	12470	115	0.334	50/100	DPF2T-05
EAS 221111-10	-06	9.5	3/8"	9.3-10.1	14.5-15.7	19.0-20.6	180	2610	720	10440	130	0.429	50/100	DPF2T-06
EAS 221111-12	-08	12.7	1/2"	12.3-13.5	17.5-19.1	22.2-23.8	160	2320	640	9280	180	0.519	50/100	DPF2T-08
EAS 221111-16	-10	16.0	5/8"	15.5-16.7	20.6-22.2	25.4-27.0	130	1885	520	7540	200	0.639	50/100	DPF2T-10
EAS 221111-19	-12	19.0	3/4"	18.6-19.8	24.6-26.2	29.4-31.0	105	1522.5	420	6090	240	0.759	50/100	DPF2T-12
EAS 221111-25	-16	25.4	1"	25.0-26.4	32.5-34.1	37.1-39.1	88	1276	352	5104	300	0.913	50/100	DPF2T-16

Marking / Layline (Printing, Ink)



Cover Type: Smooth

Packing Type: Roll, Pallet, Reel

Outward Appearance: ●Black

Certificate: ISO 9001, ISO 14001, MSHA, DAKKS, DEKRA, DIN, SAE, MA, WSF

## Smooth Cover 2ST Wire Braided Fluid Hose

Applicable Specs:

- DIN EN 853 2ST
- EXCEEDS SAE 100R1A
- ISO 1436:2009
- TS 6387 EN 853 2ST
- ISO 1307
- EN 1804-3
- ISO 6805
- EN 13463-1

Applications:



German Technology Equipment

Product Series:

**EASY-FIT**  
**EASY-FLEX**

No-Skive

**Internal hose:**  
Synthetic rubber, extruded whole without joints, of uniform thickness

**Reinforcement:**  
2 layers of steel wire braid

**Covering:**  
Anti-abrasive synthetic rubber, resistant to oils, fuels and atmospheric conditions

**Fittings:**  
Ferrule: No-skive Type DPF2T •  
Insert: DPX2XX (X: Can choose) •  
Certificate: MSHA & BV & GOST & IATF 16949 & ISO 9001 & ISO 14001 & ISO 45001 & DAKKS & SGS & MA & DEKRA Approved



**Working Pressure:**  
165-415 Bar/2392.5-6017.5 PSI

**Impulse times:**  
≥ 200,000 Times

**Temperature:**  
• -40 °C to +100 °C (intermittent 120 °C)  
• -40 °C to +70 °C for water based fluids  
• 0 °C to +70 °C hot air  
• Prolonged operation at extreme temperatures will reduce hoses life

**Media:**  
Mineral and biological oils, glycol-water based, water, lubricants

#	Hose Size		I.D.	R.O.D.	O.D.	Operating Pressure		Burst Pressure		Bend Radius	Weight	Length Per PCS	Ferrule	
Part Number	Dash Size	mm	inch	mm	mm	mm	bar	psi	bar	psi	mm	kgs/m	meter	DME Code
EAS 221112-05	-03	4.8	3/16"	4.6-5.4	10.6-11.6	15.1-16.7	415	6017.5	1660	24070	90	0.374	50/100	DPF2T-03
EAS 221112-06	-04	6.4	1/4"	6.2-7.0	12.1-13.3	16.7-18.3	400	5800	1600	23200	100	0.409	50/100	DPF2T-04
EAS 221112-08	-05	8.0	5/16"	7.7-8.5	13.7-14.9	18.3-19.9	350	5075	1400	20300	115	0.473	50/100	DPF2T-05
EAS 221112-10	-06	9.5	3/8"	9.3-10.1	16.1-17.3	20.6-22.2	330	4785	1320	19140	130	0.616	50/100	DPF2T-06
EAS 221112-12	-08	12.7	1/2"	12.3-13.5	19.0-20.6	23.8-25.4	275	3987.5	1100	15950	180	0.704	50/100	DPF2T-08
EAS 221112-16	-10	16.0	5/8"	15.5-16.7	22.2-23.8	27.0-28.6	250	3625	1000	14500	200	0.805	50/100	DPF2T-10
EAS 221112-19	-12	19.0	3/4"	18.6-19.8	26.2-27.8	31.0-32.6	215	3117.5	860	12470	240	1.023	50/100	DPF2T-12
EAS 221112-25	-16	25.4	1"	25.0-26.4	34.1-35.7	38.5-40.9	165	2392.5	660	9570	300	1.496	50/100	DPF2T-16

Marking / Layline (Printing, Ink)



Cover Type: Smooth

Packing Type: Roll, Pallet, Reel

Outward Appearance: ●Black

Certificate: ISO 9001, ISO 14001, MSHA, DAKKS, DEKRA, DIN, SAE, MA, WSF

## Smooth Cover R3 textile Braided Fluid Hose

Applicable Specs:  
 ■ SAE 100R3 ■ ISO 4079 ■ ISO 1307



Italy Technology Equipment

Product Series:

No-Skive

- Internal hose:** Synthetic rubber, extruded whole without joints, of uniform thickness
- Reinforcement:** 2 layers of textile braid
- Covering:** Anti-abrasive synthetic rubber, resistant to oils, fuels and atmospheric conditions
- Fittings:**
  - Ferrule: No-skive Type PUSH-ON-R3
  - Insert: PUSH-ON-R3 (X: Can choose)
  - Certificate: MSHA & BV & GOST & IATF 16949 & ISO 9001 & ISO 14001 & ISO 45001 & DAKKS & SGS & MA & DEKRA Approved



- Working Pressure:** 39-105 Bar / 565.5-1522.5 PSI
- Temperature:**
  - 40 °C to +100 °C (intermittent 120 °C)
  - 40 °C to +70 °C for water based fluids
  - 0 °C to +70 °C hot air
  - Prolonged operation at extreme temperatures will reduce hoses life
- Media:** Hydraulic fluids petroleum based (mineral oils), glycol-water based, water, lubricants

#	Hose Size		I.D.	R.O.D.	O.D.	Operating Pressure		Burst Pressure		Bend Radius	Weight	Length Per PCS	Ferrule	
Part Number	Dash Size	mm	inch	mm	mm	bar	psi	bar	psi	mm	kgs/m	meter	DME Code	
EAS 321103-05	-03	4.8	3/16"	4.5-5.4	-	11.9-13.5	105	1522.5	420	6090	75	0.130	50/100	PUSH-ON-R3-03
EAS 321103-06	-04	6.4	1/4"	6.1-7.0	-	13.5-15.1	87	1261.5	348	5046	75	0.180	50/100	PUSH-ON-R3-04
EAS 321103-08	-05	8.0	5/16"	7.6-8.5	-	16.7-18.3	84	1218	336	4872	100	0.280	50/100	PUSH-ON-R3-05
EAS 321103-10	-06	9.5	3/8"	9.2-10.1	-	18.3-19.8	78	1131	312	4524	100	0.300	50/100	PUSH-ON-R3-06
EAS 321103-12	-08	12.7	1/2"	12.4-13.5	-	23.0-24.6	70	1015	280	4060	125	0.420	50/100	PUSH-ON-R3-08
EAS 321103-16	-10	16.0	5/8"	15.6-16.7	-	26.2-27.8	61	884.5	244	3538	140	0.470	50/100	PUSH-ON-R3-10
EAS 321103-19	-12	19.0	3/4"	18.7-19.8	-	31.0-32.5	52	754	208	3016	150	0.680	50/100	PUSH-ON-R3-12
EAS 321103-25	-16	25.4	1"	25.1-26.2	-	36.9-39.3	39	565.5	156	2262	205	0.900	50/100	PUSH-ON-R3-16

Marking / Layline (Printing, Ink)



Cover Type: Smooth

Packing Type: Roll, Pallet, Reel

Outward Appearance: ● Black

Certificate: ISO 9001, ISO 14001, MSHA, DAKKS, DEKRA, PC, DIN, SAE, MA, WSF

## Smooth Cover R3 Red textile Braided Fluid Hose

Applicable Specs:  
 ■ SAE 100R3 ■ ISO 4079 ■ ISO 1307



Italy Technology Equipment

Product Series:

No-Skive

- Internal hose:** Synthetic rubber, extruded whole without joints, of uniform thickness
- Reinforcement:** 2 layers of textile braid
- Covering:** Anti-abrasive synthetic rubber, resistant to oils, fuels and atmospheric conditions
- Fittings:**
  - Ferrule: No-skive Type PUSH-ON-R3
  - Insert: PUSH-ON-R3 (X: Can choose)
  - Certificate: MSHA & BV & GOST & IATF 16949 & ISO 9001 & ISO 14001 & ISO 45001 & DAKKS & SGS & MA & DEKRA Approved



- Working Pressure:** 39-105 Bar / 565.5-1522.5 PSI
- Impulse times:** ≥ 150,000 Times
- Temperature:**
  - 40 °C to +100 °C (intermittent 120 °C)
  - 40 °C to +70 °C for water based fluids
  - 0 °C to +70 °C hot air
  - Prolonged operation at extreme temperatures will reduce hoses life
- Media:** Hydraulic fluids petroleum based (mineral oils), glycol-water based, water, lubricants

#	Hose Size		I.D.	R.O.D.	O.D.	Operating Pressure		Burst Pressure		Bend Radius	Weight	Length Per PCS	Ferrule	
Part Number	Dash Size	mm	inch	mm	mm	bar	psi	bar	psi	mm	kgs/m	meter	DME Code	
EAS 323103-05	-03	4.8	3/16"	4.5-5.4	-	11.9-13.5	105	1522.5	420	6090	75	0.130	50/100	PUSH-ON-R3-03
EAS 323103-06	-04	6.4	1/4"	6.1-7.0	-	13.5-15.1	87	1261.5	348	5046	75	0.180	50/100	PUSH-ON-R3-04
EAS 323103-08	-05	8.0	5/16"	7.6-8.5	-	16.7-18.3	84	1218	336	4872	100	0.280	50/100	PUSH-ON-R3-05
EAS 323103-10	-06	9.5	3/8"	9.2-10.1	-	18.3-19.8	78	1131	312	4524	100	0.300	50/100	PUSH-ON-R3-06
EAS 323103-12	-08	12.7	1/2"	12.4-13.5	-	23.0-24.6	70	1015	280	4060	125	0.420	50/100	PUSH-ON-R3-08
EAS 323103-16	-10	16.0	5/8"	15.6-16.7	-	26.2-27.8	61	884.5	244	3538	140	0.470	50/100	PUSH-ON-R3-10
EAS 323103-19	-12	19.0	3/4"	18.7-19.8	-	31.0-32.5	52	754	208	3016	150	0.680	50/100	PUSH-ON-R3-12
EAS 323103-25	-16	25.4	1"	25.1-26.2	-	36.9-39.3	39	565.5	156	2262	205	0.900	50/100	PUSH-ON-R3-16

Marking / Layline (Printing, Ink)



Cover Type: Smooth

Packing Type: Roll, Pallet, Reel

Outward Appearance: ● Red

Certificate: ISO 9001, ISO 14001, MSHA, DAKKS, DEKRA, PC, DIN, SAE, MA, WSF



## Smooth Cover R16 Wire Braided Fluid Hose

Applicable Specs:

- SAE 100R16
- ISO 11237-1 R16
- ISO 1307

Applications:



German Technology Equipment

Product Series:



Ultra Soft & Flexible

**Internal hose:**  
Synthetic rubber, extruded whole without joints, of uniform thickness

**Reinforcement:**  
2 layers of steel wire braid

**Covering:**  
Anti-abrasive synthetic rubber, resistant to oils, fuels and atmospheric conditions

**Fittings:**  
Ferrule: No-skive Type DPF2T •  
Insert: DPX2XX (X: Can choose) •  
Certificate: MSHA & BV & GOST & IATF 16949 & ISO 9001 & ISO 14001 & ISO 45001 & DAKKS & SGS & MA & DEKRA Approved

**Working Pressure:**  
165-400 Bar/2392.5-5800 PSI

**Impulse times:**  
≥ 200,000 Times

**Temperature:**  
• -40 °C to +100 °C (intermittent 120 °C)  
• -40 °C to +70 °C for water based fluids  
• 0 °C to +70 °C hot air  
• Prolonged operation at extreme temperatures will reduce hoses life

**Media:**  
Mineral and biological oils, glycol-water based, water, lubricants

#	Hose Size		I.D.	R.O.D.	O.D.	Operating Pressure		Burst Pressure		Bend Radius	Weight	Length Per PCS	Ferrule	
	Dash Size	mm				inch	bar	psi	bar					psi
DEF 321116-06	-04	6.4	1/4"	6.2-7.0	12.3 MAX.	14.5 MAX.	400	5800	1600	23200	50	0.290	50/100	DPF2T-04
DEF 321116-08	-05	8.0	5/16"	7.7-8.5	13.3 MAX.	15.7 MAX.	350	5075	1400	20300	55	0.330	50/100	DPF2T-05
DEF 321116-10	-06	9.5	3/8"	9.3-10.1	15.9 MAX.	18.8 MAX.	330	4785	1320	19140	65	0.420	50/100	DPF2T-06
DEF 321116-12	-08	12.7	1/2"	12.3-13.5	19.0 MAX.	22.0 MAX.	275	3987.5	1100	15950	90	0.550	50/100	DPF2T-08
DEF 321116-16	-10	16.0	5/8"	15.5-16.7	22.6 MAX.	25.4 MAX.	250	3625	1000	14500	100	0.650	50/100	DPF2T-10
DEF 321116-19	-12	19.0	3/4"	18.6-19.8	26.3 MAX.	29.0 MAX.	215	3117.5	860	12470	120	0.790	50/100	DPF2T-12
DEF 321116-25	-16	25.4	1"	25.0-26.4	34.0 MAX.	36.6 MAX.	165	2392.5	660	9570	150	1.180	50/100	DPF2T-16

Marking / Layline (Printing, Ink)



- Cover Type: Smooth
- Packing Type: Roll, Pallet, Reel
- Outward Appearance: ● Black



Powered by DME&JDE Group

## Smooth Cover R17 Wire Braided Fluid Hose

Applicable Specs:

- SAE 100R17
- ISO 11237-1 R17
- ISO 1307

Applications:



German Technology Equipment

Product Series:



Ultra Soft & Flexible

**Internal hose:**  
Synthetic rubber, extruded whole without joints, of uniform thickness

**Reinforcement:**  
1 layer of high tensile steel braid up to size 1/2", 2 layers of high tensile steel wire braid from size 5/8" onwards.

**Covering:**  
Anti-abrasive synthetic rubber, resistant to oils, fuels and atmospheric conditions

**Fittings:**  
Ferrule: No-skive Type DPF2T •  
Insert: DPX2XX or DPX1XX (X: Can choose) •  
Certificate: MSHA & BV & GOST & IATF 16949 & ISO 9001 & ISO 14001 & ISO 45001 & DAKKS & SGS & MA & DEKRA Approved

**Working Pressure:**  
210 Bar / 3045 PSI

**Impulse times:**  
≥ 150,000 Times / 200,000 Times

**Temperature:**  
• -40 °C to +100 °C (intermittent 120 °C)  
• -40 °C to +70 °C for water based fluids  
• 0 °C to +70 °C hot air  
• Prolonged operation at extreme temperatures will reduce hoses life

**Media:**  
Mineral and biological oils, glycol-water based, water, lubricants

#	Hose Size		I.D.	R.O.D.	O.D.	Operating Pressure		Burst Pressure		Bend Radius	Weight	Length Per PCS	Ferrule	
	Dash Size	mm				inch	bar	psi	bar					psi
DEF 321117-05	-03	4.6	3/16"	4.6-5.4	10.1 MAX.	11.6 MAX.	210	3045	840	12180	45	0.190	50/100	DPF2T-03
DEF 321117-06	-04	6.4	1/4"	6.2-7.0	11.0 MAX.	13.2 MAX.	210	3045	840	12180	50	0.220	50/100	DPF2T-04
DEF 321117-08	-05	8.0	5/16"	7.7-8.5	13.0 MAX.	15.0 MAX.	210	3045	840	12180	55	0.260	50/100	DPF2T-05
DEF 321117-10	-06	9.5	3/8"	9.3-10.1	15.0 MAX.	17.0 MAX.	210	3045	840	12180	65	0.320	50/100	DPF2T-06
DEF 321117-12	-08	12.7	1/2"	12.3-13.5	18.8 MAX.	21.1 MAX.	210	3045	840	12180	90	0.440	50/100	DPF2T-08
DEF 321117-16	-10	16.0	5/8"	15.5-16.7	23.6 MAX.	25.9 MAX.	210	3045	840	12180	100	0.640	50/100	DPF2T-10
DEF 321117-19	-12	19.0	3/4"	18.6-19.8	27.7 MAX.	30.3 MAX.	210	3045	840	12180	120	0.900	50/100	DPF2T-12
DEF 321117-25	-16	25.4	1"	25.0-26.4	35.6 MAX.	38.6 MAX.	210	3045	840	12180	150	1.250	50/100	DPF2T-16

Marking / Layline (Printing, Ink)



- Cover Type: Smooth
- Packing Type: Roll, Pallet, Reel
- Outward Appearance: ● Black



Powered by DME&JDE Group

## Smooth Cover 1TE Textile Braided Fluid Hose

Applicable Specs:

- DIN EN 853 1TE ■ SAE 100R6 ■ DIN 20021 1TE ■ TS 6388 EN 854 TIP 1TE
- ISO 4079-1TE ■ ISO 1307

Applications:



Italy Technology Equipment

Product Series:



No-Skive

**Internal hose:**  
Synthetic rubber, extruded whole without joints, of uniform thickness

**Reinforcement:**  
1 layer of textile braid

**Covering:**  
Anti-abrasive synthetic rubber, resistant to oils, fuels and atmospheric conditions

**Fittings:**  
Ferrule: No-skive Type PUSH-ON-R6/1TE •  
Insert: PUSH-ON-R6/1TE (X: Can choose) •  
Certificate: MSHA & BV & GOST & IATF 16949 & ISO 9001 & ISO 14001 & ISO 45001 & DAKKS & SGS & MA & DEKRA Approved

**Working Pressure:**

12–35 Bar / 174–507.5 PSI

**Temperature:**

- -40 °C to +100 °C (intermittent 120 °C)
- -40 °C to +70 °C for water based fluids
- 0 °C to +70 °C hot air
- Prolonged operation at extreme temperatures will reduce hoses life

**Media:**

Hydraulic fluids petroleum based (mineral oils), glycol-water based, water, lubricants

#	Hose Size		I.D.	R.O.D.	O.D.	Operating Pressure		Burst Pressure		Bend Radius	Weight	Length Per PCS	Ferrule	
Part Number	Dash Size	mm	inch	mm	mm	bar	psi	bar	psi	mm	kgs/m	meter	DME Code	
EAS 221106-05	-03	4.8	3/16"	4.4-5.2	-	10.0-11.6	35	507.5	140	2030	50	0.100	50/100	PUSH-ON-R6/1TE-03
EAS 221106-06	-04	6.4	1/4"	5.9-6.9	-	11.6-13.2	28	406	112	1624	65	0.110	50/100	PUSH-ON-R6/1TE-04
EAS 221106-08	-05	8.0	5/16"	7.4-8.4	-	13.1-14.7	28	406	112	1624	75	0.130	50/100	PUSH-ON-R6/1TE-05
EAS 221106-10	-06	9.5	3/8"	9.0-10.0	-	14.7-16.3	28	406	112	1624	75	0.160	50/100	PUSH-ON-R6/1TE-06
EAS 221106-12	-08	12.7	1/2"	12.1-13.3	-	17.7-19.7	28	406	112	1624	100	0.220	50/100	PUSH-ON-R6/1TE-08
EAS 221106-16	-10	16.0	5/8"	15.3-16.5	-	21.9-23.9	24	348	96	1392	125	0.270	50/100	PUSH-ON-R6/1TE-10
EAS 221106-19	-12	19.0	3/4"	18.2-19.8	-	25.4-27.8	21	304.5	84	1218	150	0.330	50/100	PUSH-ON-R6/1TE-12
EAS 221106-25	-16	25.4	1"	24.6-26.2	-	32.2-34.6	12	174	48	696	155	0.500	50/100	PUSH-ON-R6/1TE-16

Marking / Layline (Printing, Ink)



Cover Type: Smooth



Packing Type: Roll, Pallet, Reel



Outward Appearance: ●Black



Powered by DME&JDE Group

## Smooth Cover 2TE Textile Braided Fluid Hose

Applicable Specs:

- DIN EN 853 2TE ■ SAE 100R6 ■ DIN 20021 1TE ■ TS 6388 EN 854 TIP 1TE
- ISO 4079-1TE ■ ISO 1307

Applications:



Italy Technology Equipment

Product Series:



No-Skive

**Internal hose:**  
Synthetic rubber, extruded whole without joints, of uniform thickness

**Reinforcement:**  
2 layers of textile braid

**Covering:**  
Anti-abrasive synthetic rubber, resistant to oils, fuels and atmospheric conditions

**Fittings:**  
Ferrule: No-skive Type PUSH-ON-2TE •  
Insert: PUSH-ON-2TE (X: Can choose) •  
Certificate: MSHA & BV & GOST & IATF 16949 & ISO 9001 & ISO 14001 & ISO 45001 & DAKKS & SGS & MA & DEKRA Approved

**Working Pressure:**

40–80 Bar / 580–1160 PSI

**Temperature:**

- -40 °C to +100 °C (intermittent 120 °C)
- -40 °C to +70 °C for water based fluids
- 0 °C to +70 °C hot air
- Prolonged operation at extreme temperatures will reduce hoses life

**Media:**

Hydraulic fluids petroleum based (mineral oils), glycol-water based, water, lubricants

#	Hose Size		I.D.	R.O.D.	O.D.	Operating Pressure		Burst Pressure		Bend Radius	Weight	Length Per PCS	Ferrule	
Part Number	Dash Size	mm	inch	mm	mm	mm	bar	psi	bar	psi	mm	kgs/m	meter	DME Code
EAS 221103-05	-03	4.8	3/16"	4.4-5.2	-	11.0-12.6	80	1160	320	4640	25	0.200	50/100	PUSH-ON-2TE-03
EAS 221103-06	-04	6.4	1/4"	5.9-6.9	-	12.6-14.2	75	1087.5	300	4350	40	0.160	50/100	PUSH-ON-2TE-04
EAS 221103-08	-05	8.0	5/16"	7.4-8.4	-	14.1-15.7	68	986	272	3944	50	0.180	50/100	PUSH-ON-2TE-05
EAS 221103-10	-06	9.5	3/8"	9.0-10.0	-	15.7-17.3	63	913.5	252	3654	60	0.190	50/100	PUSH-ON-2TE-06
EAS 221103-12	-08	12.7	1/2"	12.1-13.3	-	18.7-20.7	58	841	232	3364	70	0.260	50/100	PUSH-ON-2TE-08
EAS 221103-16	-10	16.0	5/8"	15.3-16.5	-	22.9-24.9	50	725	200	2900	90	0.350	50/100	PUSH-ON-2TE-10
EAS 221103-19	-12	19.0	3/4"	18.2-19.8	-	26.0-28.0	45	652.5	180	2610	110	0.400	50/100	PUSH-ON-2TE-12
EAS 221103-25	-16	25.4	1"	24.6-26.2	-	32.9-35.9	40	580	160	2320	150	0.600	50/100	PUSH-ON-2TE-16

Marking / Layline (Printing, Ink)



Cover Type: Smooth



Packing Type: Roll, Pallet, Reel



Outward Appearance: ●Black



Powered by DME&JDE Group



## Smooth Cover Pilot Hose Wire Braided Fluid Hose

Applicable Specs:  
 ■ PILOT 12.5 MPa / 125 Bar

Applications:



### German Technology Equipment

Product Series:



Ultra Soft & Flexible



Super Impulse & Pressure

**Internal hose:**  
 Synthetic rubber, extruded whole without joints, of uniform thickness



**Reinforcement:**  
 1 layer of steel wire braid



**Covering:**  
 Anti-abrasive synthetic rubber, resistant to oils, fuels and atmospheric conditions



**Fittings:**  
 Ferrule: No-skive Type DPF2T •  
 Insert: DPX1XX (X: Can choose) •  
 Certificate: MSHA & BV & GOST & IATF 16949 •  
 & ISO 9001 & ISO 14001 & ISO 45001 •  
 & DAKKS & SGS & MA & DEKRA Approved



**Working Pressure:**  
 125 Bar / 1812.5 PSI



**Impulse times:**  
 ≥ 150,000 Times



**Temperature:**  
 • -40 °C to +100 °C (intermittent 120 °C)  
 • -40 °C to +70 °C for water based fluids  
 • 0 °C to +70 °C hot air  
 • Prolonged operation at extreme temperatures will reduce hoses life



**Media:**  
 Suitable for medium pressure and return lines for use with petroleum, synthetic or water based fluids in hydraulic systems suitable for agricultural, construction & material handling equipment and machinery/system



#	Hose Size		I.D.	R.O.D.	O.D.	Operating Pressure		Burst Pressure	Bend Radius	Weight	Length Per PCS	Ferrule		
Part Number	Dash Size	mm	inch	mm	mm	bar	psi	bar	psi	mm	kgs/m	meter	DME Code	
DEF 521101-06	-04	6.4	1/4"	6.4	9.9	11.5-12.1	125	1812.5	500	7250	30	0.190	50/100	DPF2T-04
DEF 521101-08	-05	8.0	5/16"	8.0	11.6	13.1-13.7	125	1812.5	500	7250	40	0.220	50/100	DPF2T-05
DEF 521101-10	-06	9.5	3/8"	9.5	12.9	14.8-15.9	125	1812.5	500	7250	50	0.250	50/100	DPF2T-06
DEF 521101-12	-08	12.7	1/2"	12.7	16.3	18.0-19.2	125	1812.5	500	7250	60	0.350	50/100	DPF2T-08

Marking / Layline (Printing, Ink)



**Cover Type:**  
 Smooth

**Packing Type:**  
 Roll, Pallet, Reel

**Outward Appearance:**  
 ● Black



Powered by DME&JDE Group

# SMOOTH COVER



### Application







# SUCTION AND DISCHARGE HOSE



## Application



## Water Suction & Discharge Rubber Hose



### Applicable Specs:

- BS EN ISO 4641 • ISO 10619 • ISO/TC 45
- ISO 7326 • ISO 7233



## Oil Suction & Discharge Rubber Hose



### Applicable Specs:

- BS EN ISO 4079 • ISO 6743 • SAE R4



## Oil Delivery rubber hose



### Applicable Specs:

- BS EN ISO 4079 • ISO 6743



## Fuel & Diesel Oil Suction Rubber Hose 1



### Applicable Specs:

- ISO 2929 : 2021

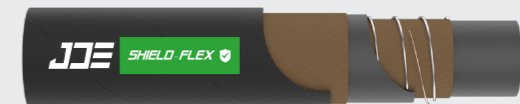


## Fuel & Diesel Oil Suction Rubber Hose 2



### Applicable Specs:

- ISO 2929 : 2021





## Fuel & Diesel Oil Delivery Rubber Hose



### Applicable Specs:

- ISO 2929 : 2021



## Chemical Liquid Medium Rubber Hose



### Applicable Specs:

- ISO 27126



## Solid Material Transfer Rubber Hose



### Applicable Specs:

- ISO 28017:2011(E) • ISO/TC 45 • ISO 4649

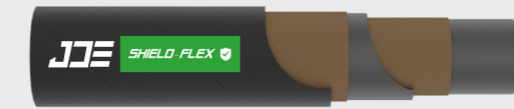


## Conveying Dry Cement and Solid Material Transfer Rubber Hose



### Applicable Specs:

- ISO 28017:2011(E) • ISO/TC 45 • ISO 4649



## Sand Blast Rubber Hose



### Applicable Specs:

- ISO 28017:2011(E) • ISO/TC 45 • ISO 4649



## Water Suction & Discharge Rubber Hose

### Applicable Specs:

- BS EN ISO 4641 • ISO 10619 • ISO/TC 45 • ISO 7326 • ISO 7233

### Applications:



**American Technology Equipment**

Product Series:

**SHIELD FLEX**

New-Standard

**Internal hose:**  
Synthetic rubber (main ingredients: Natural rubber + styrene butadiene rubber + carbon black + patented additives), Automatic computer control system extruded whole without joints, of uniform thickness.

**Reinforcement:**  
High tensile textile + Helix special metal alloy steel wire •

**Covering:**  
Anti-abrasive synthetic rubber (main ingredients: natural rubber + styrene butadiene rubber + anti-abrasive carbon black), resistant to Sunshine, UV rays, freshwater, seawater, fuels and atmospheric conditions.

**Fittings:**  
Recommended use: DME&JDE Clamp or fittings. •

**Working Pressure:**  
10 Bar / 150 PSI

**Temperature:**  
• -20 °C to + 80 °C

**Media:**  
Designed for full suction and discharge pressure, It handles sewage, waste water, freshwater, seawater etc.

#													
Part Number	Hose Size		I.D.	R.O.D.	O.D.	Operating Pressure	Burst Pressure	Bend Radius	Weight	Length Per PCS	Ferrule		
I.D.	Dash Size	mm	inch	mm	mm	bar	psi	bar	psi	mm	kgs/m	meter	DME Code
JDE 811101-19(W)	-12	19	3/4"	19	-	30	10 150	30	450	100	0.68	61.0	SHIELD-FLEX® clamp or fittings
JDE 811101-25(W)	-16	25	1"	25	-	36	10 150	30	450	150	0.85	61.0	
JDE 811101-32(W)	-20	32	1-1/4"	32	-	44	10 150	30	450	190	1.21	61.0	
JDE 811101-38(W)	-24	38	1-1/2"	38	-	51	10 150	30	450	220	1.51	61.0	
JDE 811101-51(W)	-32	51	2"	51	-	64	10 150	30	450	300	1.94	61.0	
JDE 811101-64(W)	-40	64	2-1/2"	78	-	78	10 150	30	450	380	2.56	61.0	
JDE 811101-76(W)	-48	76	3"	90	-	90	10 150	30	450	450	3.09	61.0	
JDE 811101-102(W)	-64	102	4"	120	-	120	10 150	30	450	550	4.98	61.0	
JDE 811101-152(W)	-96	152	6"	171	-	171	10 150	30	450	750	8.18	30.5	
JDE 811101-203(W)	-128	203	8"	224	-	224	10 150	30	450	1100	12.51	30.5	

### Marking / Layline (Printing, Ink, Embossed)



- Cover Type:** Wrapped
- Packing Type:** Roll, Pallet
- Outward Appearance:** ● Black, ● Red, ● Gray, ● Yellow, ● Green, ● Blue



# Oil Suction & Discharge Rubber Hose

Applicable Specs: ■ BS EN ISO 4079 ■ ISO 6743 ■ SAE R4



American Technology Equipment

Product Series:

New-Standard

- Internal hose:** Synthetic rubber(main ingredients: Nitrile butadiene rubber + styrene butadiene rubber + carbon black + patented additives), Automatic computer control system extruded whole without joints, of uniform thickness.
- Reinforcement:** High tensile textile + Helix special metal alloy steel wire •
- Covering:** Anti-abrasive synthetic rubber (main ingredients: natural rubber + styrene butadiene rubber + anti-abrasive carbon black), resistant to Oil,Sunshine, UV rays, freshwater, seawater, fuels and atmospheric conditions.
- Fittings:** Recommended use: DME&JDE Clamp or fittings. •



- Working Pressure:** 10 Bar / 150 PSI
- Temperature:** • -20 °C to + 80 °C
- Media:** All kinds of mechanical equipment in the oil system, hydraulic system, oil pipeline, oil pipeline, oil return pipeline, construction machinery, agricultural machinery and forestry and other industries of mechanical oil system, etc.

#	Hose Size			I.D.	R.O.D.	O.D.	Operating Pressure		Burst Pressure	Bend Radius	Weight	Length Per PCS	Ferrule	
Part Number	Dash Size	mm	inch	mm	mm	mm	bar	psi	bar	psi	mm	meter	DME Code	
JDE 811101-19(O1)	-12	19	3/4"	19	-	30	10	150	30	450	100	0.68	61.0	SHIELD-FLEX® clamp or fittings
JDE 811101-25(O1)	-16	25	1"	25	-	36	10	150	30	450	150	0.85	61.0	
JDE 811101-32(O1)	-20	32	1-1/4"	32	-	44	10	150	30	450	190	1.21	61.0	
JDE 811101-38(O1)	-24	38	1-1/2"	38	-	51	10	150	30	450	220	1.51	61.0	
JDE 811101-51(O1)	-32	51	2"	51	-	64	10	150	30	450	300	1.94	61.0	
JDE 811101-64(O1)	-40	64	2-1/2"	78	-	78	10	150	30	450	380	2.56	61.0	
JDE 811101-76(O1)	-48	76	3"	90	-	90	10	150	30	450	450	3.09	61.0	
JDE 811101-102(O1)	-64	102	4"	120	-	120	10	150	30	450	550	4.98	61.0	
JDE 811101-152(O1)	-96	152	6"	171	-	171	10	150	30	450	750	8.18	30.5	
JDE 811101-203(O1)	-128	203	8"	224	-	224	10	150	30	450	1100	12.51	30.5	

Marking / Layline (Printing, Ink, Embossed)



Cover Type: Wrapped

Packing Type: Roll, Pallet

Outward Appearance: ● Black, ● Red, ● Gray, ● Yellow, ● Green, ● Blue

Certificate: ISO 9001, ISO 45001, ISO 14001, MSHA, U.S. Department of Labor, DAKKS, DEKRA, PC, SGS, DIN, SAE INTERNATIONAL, MA, WSF

Powered by DME&JDE Group

# Oil Delivery rubber hose

Applicable Specs: ■ BS EN ISO 4079 ■ ISO 6743



American Technology Equipment

Product Series:

New-Standard

- Internal hose:** Synthetic rubber(main ingredients: Nitrile butadiene rubber + styrene butadiene rubber + carbon black + patented additives), Automatic computer control system extruded whole without joints, of uniform thickness.
- Reinforcement:** High tensile textile •
- Covering:** Anti-abrasive synthetic rubber (main ingredients: natural rubber + styrene butadiene rubber + anti-abrasive carbon black), resistant to Oil,Sunshine, UV rays, freshwater, seawater, fuels and atmospheric conditions.
- Fittings:** Recommended use: DME&JDE Clamp or fittings. •



- Working Pressure:** 20 Bar / 300 PSI
- Temperature:** • -20 °C to + 80 °C
- Media:** All kinds of mechanical equipment in the oil system, hydraulic system, oil pipeline, oil pipeline, oil return pipeline, construction machinery, agricultural machinery and forestry and other industries of mechanical oil system, etc.

#	Hose Size			I.D.	R.O.D.	O.D.	Operating Pressure		Burst Pressure	Bend Radius	Weight	Length Per PCS	Ferrule	
Part Number	Dash Size	mm	inch	mm	mm	mm	bar	psi	bar	psi	mm	meter	DME Code	
JDE 811101-06(O2)	-4	6	1/4"	6	-	14	20	300	60	900	58	0.19	100	SHIELD-FLEX® clamp or fittings
JDE 811101-08(O2)	-5	8	5/16"	8	-	16	20	300	60	900	78	0.22	100	
JDE 811101-10(O2)	-6	10	3/8"	10	-	18	20	300	60	900	98	0.26	100	
JDE 811101-12(O2)	-8	13	1/2"	13	-	22	20	300	60	900	128	0.37	100	
JDE 811101-16(O2)	-10	16	5/8"	16	-	26	20	300	60	900	158	0.49	100	
JDE 811101-19(O2)	-12	19	3/4"	19	-	29	20	300	60	900	188	0.56	100	
JDE 811101-25(O2)	-16	25	1"	25	-	36	20	300	60	900	248	0.79	100	
JDE 811101-32(O2)	-20	32	1-1/4"	32	-	44	20	300	60	900	248	1.07	61	
JDE 811101-38(O2)	-24	38	1-1/2"	38	-	52	20	300	60	900	298	1.42	61	
JDE 811101-51(O2)	-32	51	2"	51	-	65	20	300	60	900	398	1.83	61	
JDE 811101-64(O2)	-40	64	2-1/2"	78	-	78	20	300	60	900	498	2.31	61	
JDE 811101-76(O2)	-48	76	3"	90	-	90	20	300	60	900	598	2.69	61	
JDE 811101-102(O2)	-64	102	4"	120	-	119	20	300	60	900	798	4.22	61	



Cover Type: Wrapped

Packing Type: Roll, Pallet

Outward Appearance: ● Black, ● Red, ● Gray, ● Yellow, ● Green, ● Blue

Certificate: ISO 9001, ISO 45001, ISO 14001, MSHA, U.S. Department of Labor, DAKKS, DEKRA, PC, SGS, DIN, SAE INTERNATIONAL, MA, WSF

Powered by DME&JDE Group

Web: https://www.dmejde.com  
E-mail: info@dmejde.com

Web: https://www.dmejde.com  
E-mail: info@dmejde.com



# Fuel & Diesel Oil Suction Rubber Hose 1

Applicable Specs:  
■ ISO 2929 : 2021

Applications:



**American Technology Equipment**

Product Series:

**SHIELD FLEX**

New-Standard

**Internal hose:**  
Synthetic rubber (main ingredients: Nitrile butadiene rubber+ Chloroprene Rubber+ carbon black + patented additives), Automatic computer control system extruded whole without joints, of uniform thickness.

**Reinforcement:**  
High tensile textile + Helix special metal alloy steel wire + Conductive copper wire

**Covering:**  
Anti-abrasive synthetic rubber (main ingredients: natural rubber + styrene butadiene rubber + anti-abrasive carbon black), resistant to fuel & diesel Oil, Sunshine, UV rays, freshwater, seawater, fuels and atmospheric conditions.

**Fittings:**  
Recommended use: DME&JDE Clamp or fittings •

**Working Pressure:**  
10 Bar / 150 PSI

**Temperature:**  
• -20 °C to + 80 °C

**Media:**

- All kinds of mechanical equipment in the fuel & diesel oil system
- Construction machinery, agricultural machinery and forestry and other industries of mechanical fuel & diesel oil system, etc.

#	Hose Size			I.D.	R.O.D.	O.D.	Operating Pressure		Burst Pressure		Bend Radius	Weight	Length Per PCS	Ferrule
	Dash Size	mm	inch				bar	psi	bar	psi				
JDE 811101-19(F1)	-12	19	3/4"	19	-	30	10	150	30	450	99	0.70	61.0	SHIELD-FLEX® clamp or fittings
JDE 811101-25(F1)	-16	25	1"	25	-	36	10	150	30	450	149	0.87	61.0	
JDE 811101-32(F1)	-20	32	1-1/4"	32	-	44	10	150	30	450	189	1.24	61.0	
JDE 811101-38(F1)	-24	38	1-1/2"	38	-	51	10	150	30	450	219	1.55	61.0	
JDE 811101-51(F1)	-32	51	2"	51	-	64	10	150	30	450	299	1.99	61.0	
JDE 811101-64(F1)	-40	64	2-1/2"	78	-	78	10	150	30	450	379	2.62	61.0	
JDE 811101-76(F1)	-48	76	3"	90	-	90	10	150	30	450	449	3.17	61.0	
JDE 811101-102(F1)	-64	102	4"	120	-	120	10	150	30	450	549	5.10	61.0	
JDE 811101-152(F1)	-96	152	6"	171	-	171	10	150	30	450	749	8.34	30.5	
JDE 811101-203(F1)	-128	203	8"	224	-	224	10	150	30	450	1099	12.75	30.5	

Marking / Layline (Printing, Ink, Embossed)

**Cover Type:** Wrapped

**Packing Type:** Roll, Pallet

**Outward Appearance:**  
● Black, ● Red, ● Gray, ● Yellow, ● Green, ● Blue

**Certificate:** ISO 9001, ISO 45001, ISO 14001, MSHA, DAKKS, DEKRA, DIN, SAE, MA, WSF

Powered by DME&JDE Group

# Fuel & Diesel Oil Suction Rubber Hose 2

Applicable Specs:  
■ ISO 2929 : 2021

Applications:



**American Technology Equipment**

Product Series:

**SHIELD FLEX**

New-Standard

**Internal hose:**  
Synthetic rubber(main ingredients: Nitrile butadiene rubber+ Chloroprene Rubber+ carbon black + patented additives), Automatic computer control system extruded whole without joints, of uniform thickness.

**Reinforcement:**  
High tensile textile + Helix special metal alloy steel wire + Conductive copper wire

**Covering:**  
Anti-abrasive synthetic rubber (main ingredients: natural rubber + styrene butadiene rubber + anti-abrasive carbon black ), resistant to fuel & diesel Oil, Sunshine, UV rays, freshwater, seawater, fuels and atmospheric conditions.

**Fittings:**  
Recommended use: DME&JDE Clamp or fittings.

**Working Pressure:**  
10 Bar / 150 PSI

**Temperature:**  
• -20 °C to + 80 °C

**Media:**

- Common use for heavy duty fuel and oil suction and drainage
- Especially suitable for tank trucks, tank carrying ships.
- long life, negative pressure vacuum resistance, antistatic, flame retardant.

#	Hose Size			I.D.	R.O.D.	O.D.	Operating Pressure		Burst Pressure		Bend Radius	Weight	Length Per PCS	Ferrule
	Dash Size	mm	inch				bar	psi	bar	psi				
JDE 811101-51(F3)	-32	51	2"	51	-	65	10	150	30	450	299	2.02	61	SHIELD-FLEX® clamp or fittings
JDE 811101-64(F3)	-40	64	2-1/2"	78	-	80	10	150	30	450	379	3.03	61	
JDE 811101-76(F3)	-48	76	3"	90	-	92	10	150	30	450	449	3.55	61	
JDE 811101-102(F3)	-64	102	4"	120	-	121	10	150	30	450	549	5.20	61	
JDE 811101-127(F3)	-80	127	5"	127	-	147	10	150	30	450	1099	7.65	61	
JDE 811101-152(F3)	-96	152	6"	171	-	172	10	150	30	450	749	9.05	61	

Marking / Layline (Printing, Ink, Embossed)

**Cover Type:** Wrapped

**Packing Type:** Roll, Pallet

**Outward Appearance:**  
● Black, ● Red, ● Gray, ● Yellow, ● Green, ● Blue

**Certificate:** ISO 9001, ISO 45001, ISO 14001, MSHA, DAKKS, DEKRA, DIN, SAE, MA, WSF

Powered by DME&JDE Group

## Fuel & Diesel Oil Delivery Rubber Hose

Applicable Specs:  
 ■ ISO 2929 : 2021

Applications:



**American Technology Equipment**

Product Series:

**SHIELD FLEX**

New-Standard

**Internal hose:**  
 Synthetic rubber (main ingredients: Nitrile butadiene rubber + Chloroprene Rubber + carbon black + patented additives), Automatic computer control system extruded whole without joints, of uniform thickness.

**Reinforcement:**  
 High tensile textile [The size from 1-1/4" to 4" with Conductive copper wire ]

**Covering:**  
 Anti-abrasive synthetic rubber (main ingredients: natural rubber + styrene butadiene rubber + anti-abrasive carbon black), resistant to fuel & diesel Oil, Sunshine, UV rays, freshwater, seawater, fuels and atmospheric conditions.

**Fittings:**  
 Recommended use: DME&JDE Clamp or fittings.



**Working Pressure:**  
 20 Bar / 300 PSI

**Temperature:**  
 • -20 °C to + 80 °C

**Media:**

- All kinds of mechanical equipment in the fuel & diesel oil system.
- Construction machinery, agricultural machinery and forestry and other industries of mechanical fuel & diesel oil system, etc.

#	Hose Size			I.D.	R.O.D.	O.D.	Operating Pressure		Burst Pressure		Bend Radius	Weight	Length Per PCS	Ferrule
	Dash Size	mm	inch				bar	psi	bar	psi				
JDE 811101-06(F2)	-4	6	1/4"	6	-	14	20	300	60	900	58	0.19	100	SHIELD-FLEX® clamp or fittings
JDE 811101-08(F2)	-5	8	5/16"	8	-	16	20	300	60	900	78	0.22	100	
JDE 811101-10(F2)	-6	10	3/8"	10	-	18	20	300	60	900	98	0.26	100	
JDE 811101-12(F2)	-8	13	1/2"	13	-	22	20	300	60	900	128	0.37	100	
JDE 811101-16(F2)	-10	16	5/8"	16	-	26	20	300	60	900	158	0.49	100	
JDE 811101-19(F2)	-12	19	3/4"	19	-	29	20	300	60	900	188	0.56	100	
JDE 811101-25(F2)	-16	25	1"	25	-	36	20	300	60	900	248	0.79	100	
JDE 811101-32(F2)	-20	32	1-1/4"	32	-	44	20	300	60	900	248	1.07	61	
JDE 811101-38(F2)	-24	38	1-1/2"	38	-	52	20	300	60	900	298	1.42	61	
JDE 811101-51(F2)	-32	51	2"	51	-	65	20	300	60	900	398	1.83	61	
JDE 811101-64(F2)	-40	64	2-1/2"	78	-	78	20	300	60	900	498	2.31	61	
JDE 811101-76(F2)	-48	76	3"	90	-	90	20	300	60	900	598	2.69	61	
JDE 811101-102(F2)	-64	102	4"	120	-	119	20	300	60	900	798	4.22	61	



**Cover Type:** Wrapped

**Packing Type:** Roll, Pallet

**Outward Appearance:**  
 ● Black, ● Red, ● Gray, ● Yellow, ● Green, ● Blue



Powered by DME&JDE Group

## Chemical Liquid Medium Rubber Hose

Applicable Specs:  
 ■ ISO 27126

Applications:



**American Technology Equipment**

Product Series:

**SHIELD FLEX**

New-Standard

**Internal hose:**  
 Ultra-high molecular weight polyethylene + Ethylene Propylene Diene Monomer + patented additives), Automatic computer control system extruded whole without joints, of uniform thickness.

**Reinforcement:**  
 High tensile textile + Helix special metal alloy steel wire •

**Covering:**  
 Anti-abrasive synthetic rubber (main ingredients: Ethylene Propylene Diene Monomer + anti-abrasive carbon black), resistant to Sunshine, UV rays, freshwater, seawater, fuels and atmospheric conditions.

**Fittings:**  
 Recommended use: DME&JDE Clamp or fittings. •



**Working Pressure:**  
 10 Bar / 150 PSI

**Temperature:**  
 • -20 °C to + 80 °C

**Media:**

- Conveying strong acidic liquid, strong alkaline liquid, special solvent and corrosive liquid.

#	Hose Size			I.D.	R.O.D.	O.D.	Operating Pressure		Burst Pressure		Bend Radius	Weight	Length Per PCS	Ferrule
	Dash Size	mm	inch				bar	psi	bar	psi				
JDE 811101-19(C)	-12	19	3/4"	19	-	30	10	150	30	450	99	0.70	61.0	SHIELD-FLEX® clamp or fittings
JDE 811101-25(C)	-16	25	1"	25	-	36	10	150	30	450	149	0.87	61.0	
JDE 811101-32(C)	-20	32	1-1/4"	32	-	44	10	150	30	450	189	1.24	61.0	
JDE 811101-38(C)	-24	38	1-1/2"	38	-	51	10	150	30	450	219	1.55	61.0	
JDE 811101-51(C)	-32	51	2"	51	-	64	10	150	30	450	299	1.99	61.0	
JDE 811101-64(C)	-40	64	2-1/2"	78	-	78	10	150	30	450	379	2.56	61.0	
JDE 811101-76(C)	-48	76	3"	90	-	90	10	150	30	450	449	3.10	61.0	
JDE 811101-102(C)	-64	102	4"	120	-	120	10	150	30	450	549	5.00	61.0	
JDE 811101-152(C)	-96	152	6"	171	-	171	10	150	30	450	749	8.20	30.5	
JDE 811101-203(C)	-128	203	8"	224	-	224	10	150	30	450	1099	12.80	30.5	

Marking / Layline (Printing, Ink, Embossed)



**Cover Type:** Wrapped

**Packing Type:** Roll, Pallet

**Outward Appearance:**  
 ● Green, ● Blue



Powered by DME&JDE Group



## Solid Material Transfer Rubber Hose

Applicable Specs: ISO 28017: 2011(E) ISO/TC 45 ISO 4649

Applications:



**American Technology Equipment**

Product Series:

New-Standard

**Internal hose:**  
Synthetic rubber (main ingredients: Natural rubber + cis-polybutadiene rubber+ carbon black + patented additives), Automatic computer control system extruded whole without joints, of uniform thickness.

**Reinforcement:**  
High tensile textile + Helix special metal alloy steel wire + Conductive copper wire

**Covering:**  
Anti-abrasive synthetic rubber (main ingredients: natural rubber + styrene butadiene rubber + anti-abrasive carbon black), resistant to Sunshine, UV rays, freshwater, seawater, fuels and atmospheric conditions.

**Fittings:**  
Recommended use: DME&JDE Clamp or fittings.



**Working Pressure:**  
10 Bar / 150 PSI

**Temperature:**  
• -20 °C to + 80 °C

**Media:**

- Suitable for conveying dry cement, stone, lime, sand, stone, mud, etc.
- The product is characterized by the use of wear-resistant rubber material on the inner wall of the hose, and the use of wear-resistant high-quality special materials on the outer wall.

#	Hose Size			I.D.	R.O.D.	O.D.	Operating Pressure		Burst Pressure		Bend Radius	Weight	Length Per PCS	Ferrule
	Dash Size	mm	inch				bar	psi	bar	psi				
JDE 811101-51(S1)	-32	51	2"	51	-	67.4	10	150	30	450	300	1.74	61.0	SHIELD-FLEX® clamp or fittings
JDE 811101-64(S1)	-40	64	2-1/2"	78	-	81.4	10	150	30	450	380	2.45	61.0	
JDE 811101-76(S1)	-48	76	3"	90	-	95.8	10	150	30	450	450	3.20	61.0	
JDE 811101-102(S1)	-64	102	4"	120	-	124.6	10	150	30	450	550	4.30	61.0	
JDE 811101-127(S1)	-80	127	5"	127	-	151.2	10	150	30	450	1100	5.56	30.5	
JDE 811101-152(S1)	-96	152	6"	171	-	178.6	10	150	30	450	750	7.30	30.5	

Marking / Layline (Printing, Ink, Embossed)



**Cover Type:** Wrapped  
**Packing Type:** Roll, Pallet  
**Outward Appearance:** ● Black



Powered by DME&JDE Group

## Conveying Dry Cement and Solid Material Transfer Rubber Hose

Applicable Specs: ISO 28017: 2011(E) ISO/TC 45 ISO 4649

Applications:



**American Technology Equipment**

Product Series:

New-Standard

**Internal hose:**  
Synthetic rubber (main ingredients: Natural rubber + cis-polybutadiene rubber+ carbon black + patented additives), Automatic computer control system extruded whole without joints, of uniform thickness.

**Reinforcement:**  
High tensile textile •

**Covering:**  
Anti-abrasive synthetic rubber (main ingredients: natural rubber + styrene butadiene rubber + anti-abrasive carbon black), resistant to Sunshine, UV rays, freshwater, seawater, fuels and atmospheric conditions.

**Fittings:**  
Recommended use: DME&JDE Clamp or fittings.



**Working Pressure:**  
10 Bar / 150 PSI

**Temperature:**  
• -20 °C to + 80 °C

**Media:**

- Suitable for conveying dry cement, stone, lime, sand, stone, mud, etc.
- The product is characterized by the use of wear-resistant rubber material on the inner wall of the hose, and the use of wear-resistant high-quality special materials on the outer wall.

#	Hose Size			I.D.	R.O.D.	O.D.	Operating Pressure		Burst Pressure		Bend Radius	Weight	Length Per PCS	Ferrule
	Dash Size	mm	inch				bar	psi	bar	psi				
JDE 811101-51(S2)	-32	51	2"	51	-	66	10	150	30	450	300	1.74	61.0	SHIELD-FLEX® clamp or fittings
JDE 811101-64(S2)	-40	64	2-1/2"	78	-	80	10	150	30	450	380	2.45	61.0	
JDE 811101-76(S2)	-48	76	3"	90	-	94	10	150	30	450	450	3.20	61.0	
JDE 811101-102(S2)	-64	102	4"	120	-	121	10	150	30	450	550	4.30	61.0	
JDE 811101-127(S2)	80	127	5"	127	-	146	10	150	30	450	1100	5.56	30.5	
JDE 811101-152(S2)	-96	152	6"	171	-	173	10	150	30	450	750	7.30	30.5	

Marking / Layline (Printing, Ink, Embossed)



**Cover Type:** Wrapped  
**Packing Type:** Roll, Pallet  
**Outward Appearance:** ● Black



Powered by DME&JDE Group

# Sand Blast Rubber Hose

Applicable Specs:

- DIN EN ISO 3861
- DIN EN ISO 8031
- ISO 4649

Applications:



**American Technology Equipment**

Product Series:

**SHIELD FLEX**

New-Standard

**Internal hose:**

Synthetic rubber (main ingredients: Natural rubber + cis-polybutadiene rubber+ carbon black + patented additives), Automatic computer control system extruded whole without joints, of uniform thickness.

**Reinforcement:**

High tensile textile

**Covering:**

Anti-abrasive synthetic rubber (main ingredients: natural rubber + styrene butadiene rubber + anti-abrasive carbon black), resistant to Sunshine, UV rays, freshwater, seawater, fuels and atmospheric conditions.

**Fittings:**

Recommended use: DME&JDE Clamp or fittings.



**Working Pressure:**

12 Bar / 170 PSI

**Temperature:**

• -20 °C to + 80 °C

**Media:**

- Conveying quartz, metal sand, gun tube, rust removal and spraying on metal surface, so as to play the role of rust removal on metal surface.

#	Hose Size			I.D.	R.O.D.	O.D.	Operating Pressure		Burst Pressure		Bend Radius	Weight	Length Per PCS	Ferrule
Part Number	Dash Size	mm	inch	mm	mm	mm	bar	psi	bar	psi	mm	kgs/m	meter	DME Code
JDE 811101-19(S3)	-12	19	3/4"	19	-	30	12	170	36	510	100	0.68	61	SHIELD-FLEX® clamp or fittings
JDE 811101-19(S3)	-12	19	3/4"	19	-	30	12	170	36	510	100	0.68	61	
JDE 811101-32(S3)	-20	32	1-1/4"	32	-	44	12	170	36	510	190	1.29	61	
JDE 811101-38(S3)	-24	38	1-1/2"	38	-	51	12	170	36	510	220	1.57	61	
JDE 811101-51(S3)	-32	51	2"	51	-	64	12	170	36	510	300	2.40	61	
JDE 811101-64(S3)	-40	64	2-1/2"	78	-	78	12	170	36	510	380	3.00	61	
JDE 811101-76(S3)	-48	76	3"	90	-	90	12	170	36	510	450	4.30	61	

**Marking / Layline** (Printing, Ink, Embossed)



- Cover Type:** Wrapped
- Packing Type:** Roll, Pallet
- Outward Appearance:** ● Black



Powered by DME&JDE Group

Web: <https://www.dmejde.com>  
E-mail: [info@dmejde.com](mailto:info@dmejde.com)



# SUCTION AND DISCHARGE HOSE



**Application**







**ULTRA HIGH TEMPERATURE**  
+155 °C / +210 °C



Application



## STEAM HOSE SAFETY GUIDE

Handling steam is a very hazardous situation. Using care and some safety precaution can minimise or eliminate personal or property damage.

### SELECTING AND USING STEAM HOSE

1. Make sure steam hose is identified as a steam hose. It should be branded as such, stating working pressure and temperature rating.
2. Make sure working pressure and temperature is not exceeded.
3. Do not allow hose to remain under pressure when not in use.
4. Avoid excess bending or flexing of hose near the coupling. Straight line operation is preferred. If bends are necessary as part of operation, spring guards may help.
5. Be sure and use recommended steam hose couplings and clamps on hose.

### MAINTENANCE OF STEAM HOSE

1. Periodic inspection of hose should include looking for cover blisters and lumps.
2. Check for kinked areas that could damage hose.
3. Drain hose after each use to avoid tube damage before hose is put back in operation, to avoid "popcorning" of the tube.
4. Check tightness of clamps bolts after each use.
5. Check to see if clamps halves are touching. If they are, recouple hose with smaller clamps to insure proper tightness or grip around hose.
6. Do not store hose over hooks.
7. Steam hose lying on metal racks or installed around steel piping will dry out the hose, causing tube and cover cracking.

### CORROSIVE STEAM

When the water used to generate steam contains dissolved air, oxygen or carbon dioxide, then these gases end up as contaminants in the steam. At high temperatures of steam both oxygen and carbon dioxide are extremely corrosive. Carbon dioxide is acidic and therefore attacks metals whereas the oxygen corrodes metals and oxidises rubbers. Corrosion of metals in the presence of both oxygen and acids is forty times faster than with either alone. Boiler water is therefore normally treated not only to remove the "hardness" which would cause "furring" of the boiler but also to remove dissolved oxygen and carbon dioxide and to ensure that the steam is not only not acidic but even slightly alkaline. Boiler water treatment is a specialised subject beyond the scope of this technical sheet but correct steam generation is important.

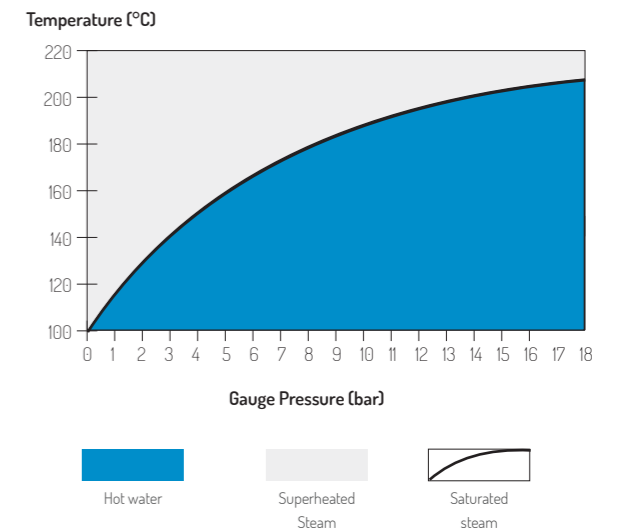
### DETERIORATION OF STEAM HOSE

Like all rubber products steam hoses have a finite life and are subject to gradual deterioration with use. However, it sometimes happens that hoses which have been giving a good life suddenly start failing without apparent reason. In such cases it is often a change in the steam conditions causing a rapid acceleration of a normal failure mode. It is therefore useful to consider how steam hoses normally last and thus how the condition of the steam affects hose life.

### TEMPERATURE OF SATURATED STEAM

Gauge Pressure		Temperature	
psi	bar	°C	°F
25	1.73	130	267
30	2.07	134	274
35	2.42	138	281
40	2.76	141	287
45	3.11	144	292
50	3.45	148	298
60	4.14	153	307
70	4.83	158	307
80	5.52	162	324
90	6.21	168	330
100	6.90	170	338
120	8.28	177	350
140	9.6	182	361
160	11.04	188	371
180	12.42	193	379
200	13.8	198	388
225	15.53	203	397
250	17.25	208	406
275	18.98	212	414
300	20.70	216	422
325	22.43	221	429
350	24.15	225	437

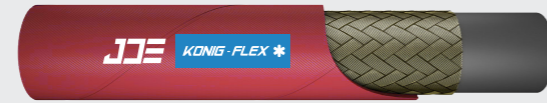
The chart represents the three forms of water when subjected to heat and pressure, Use only hoses specifically designed for the application.



### 1SW

**Applicable Specs:**

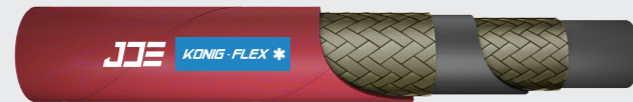
- BS 5342 Type-2
- EXCEEDS IS 10655
- ISO 6134 Type2



### 2SW

**Applicable Specs:**

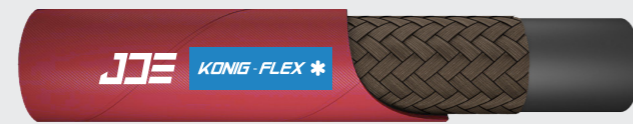
- BS 5342 Type-2
- EXCEEDS IS 10655
- ISO 6134 Type2



### Steam Hose 1TB

**Applicable Specs:**

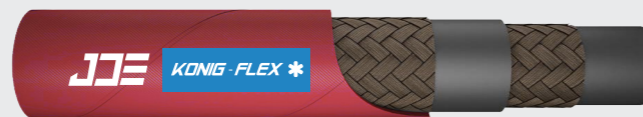
- STEAM HOSE 1TB



### Steam Hose 2TB

**Applicable Specs:**

- STEAM HOSE 2TB



### SAE R5 CX

**Applicable Specs:**

- SAE 100R5 CX



### Washer Hose 1W

**Applicable Specs:**

- DIN EN 853 1SN
- EXCEEDS SAE 100R1AT
- ISO 1436:2009
- ISO 1307
- PN-EN ISO 8030 / PN-EN 13463
- PN-EN 1804-3+A1 / PN-EN ISO 4413
- ISO 6805 / EN 13463
- PN-G 32010



### Washer Hose 2W

**Applicable Specs:**

- DIN EN 853 2SN
- EXCEEDS SAE 100R2AT
- ISO 1436:2009
- ISO 1307
- PN-EN ISO 8030 / PN-EN 13463
- PN-EN 1804-3+A1 / PN-EN ISO 4413
- ISO 6805 / EN 13463
- PN-G 32010



### Washer Hose 2SC

**Applicable Specs:**

- DIN EN 857 2SC
- EXCEEDS SAE 100R2AT
- ISO 1436:2009
- ISO 1307
- PN-EN ISO 8030 / PN-EN 13463
- PN-EN 1804-3+A1 / PN-EN ISO 4413
- ISO 6805 / EN 13463
- PN-G 32010

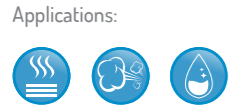




# Steam Hose 1SW/B Wire Braided Fluid Hose



Applicable Specs:  
 ■ BS 5342 Type-2 ■ EXCEEDS IS 10655



**German Technology Equipment**

Product Series:

-40 °C / +210 °C

- Internal hose:**  
Black colour, EPDM rubber resistant to saturated steam
- Reinforcement:**  
1 layer of steel wire braid
- Covering:**  
Red colour, EPDM resistant to ozone and weather
- Fittings:**  
 Ferrule: No-skive Type DPF2T •  
 Insert: DPX1XX (X: Can choose) •  
 Certificate: MSHA & BV & GOST & IATF 16949 & ISO 9001 & ISO 14001 & ISO 45001 & DAKKS & SGS & MA & DEKRA Approved



- Working Pressure:**  
20 Bar / 290 PSI
- Temperature:**
  - High Temperature steam lines up to +210 °C (intermittent +230 °C)
  - High Temperature transport liquid, -40 °C to +135 °C (intermittent 155 °C)
  - Prolonged operation at extreme temperatures will reduce hoses life
- Media:**  
Water, Heated steam

#	Hose Size			I.D.	R.O.D.	O.D.	Operating Pressure		Burst Pressure		Bend Radius	Weight	Length Per PCS	Ferrule
Part Number	Dash Size	mm	inch	mm	mm	mm	bar	psi	bar	psi	mm	kgs/m	meter	DME Code
KON 713101-10	-06	9.5	3/8"	9.3-10.1	14.5-15.7	18.1 MAX.	20	290	80	1160	130	0.390	50/100	DPF2T-06
KON 713101-12	-08	12.7	1/2"	12.3-13.5	17.5-19.1	21.4 MAX.	20	290	80	1160	180	0.472	50/100	DPF2T-08
KON 713101-16	-10	16.0	5/8"	15.5-16.7	20.6-22.2	24.5 MAX.	20	290	80	1160	200	0.581	50/100	DPF2T-10
KON 713101-19	-12	19.0	3/4"	18.6-19.8	24.6-26.2	28.5 MAX.	20	290	80	1160	240	0.690	50/100	DPF2T-12
KON 713101-25	-16	25.4	1"	25.0-26.4	32.5-34.1	36.6 MAX.	20	290	80	1160	300	0.830	50/100	DPF2T-16
KON 713101-32	-20	31.8	1-1/4"	31.4-33.0	39.3-41.7	44.8 MAX.	20	290	80	1160	420	1.325	20/40	DPF2T-20
KON 713101-38	-24	38.1	1-1/2"	37.7-39.3	45.6-48.0	52.1 MAX.	20	290	80	1160	500	1.500	20/40	DPF2T-24
KON 713101-51	-32	50.8	2"	50.4-52.0	58.7-61.7	65.5 MAX.	20	290	80	1160	630	1.875	20/40	DPF2T-32

Marking / Layline (Printing, Ink)



- Cover Type:** Wrapped, Smooth
- Packing Type:** Roll, Pallet, Reel
- Outward Appearance:** Red

Certificate: ISO 9001, ISO 14001, MSHA, DAKKS, DEKRA, DIN, SAE, MA, WSF

Powered by DME&JDE Group

# Steam Hose 2SW Wire Braided Fluid Hose



Applicable Specs:  
 ■ BS 5342 Type-2 ■ EXCEEDS IS 10655 ■ ISO 6134 Type2



**German Technology Equipment**

Product Series:

-40 °C / +210 °C

- Internal hose:**  
Black colour, EPDM rubber resistant to saturated steam
- Reinforcement:**  
2 layers of steel wire braid
- Covering:**  
Red colour, EPDM resistant to ozone and weather
- Fittings:**  
 Ferrule: No-skive Type DPF2T •  
 Insert: DPX2XX (X: Can choose) •  
 Certificate: MSHA & BV & GOST & IATF 16949 & ISO 9001 & ISO 14001 & ISO 45001 & DAKKS & SGS & MA & DEKRA Approved



- Working Pressure:**  
20 Bar / 290 PSI
- Temperature:**
  - High Temperature steam lines up to +210 °C (intermittent +230 °C)
  - High Temperature transport liquid, -40 °C to +135 °C (intermittent 155 °C)
  - Prolonged operation at extreme temperatures will reduce hoses life
- Media:**  
Water, Heated steam

#	Hose Size			I.D.	R.O.D.	O.D.	Operating Pressure		Burst Pressure		Bend Radius	Weight	Length Per PCS	Ferrule
Part Number	Dash Size	mm	inch	mm	mm	mm	bar	psi	bar	psi	mm	kgs/m	meter	DME Code
KON 713102-10	-06	9.5	3/8"	9.3-10.1	14.5-15.7	19.7 MAX.	20	290	80	1160	130	0.560	50/100	DPF2T-06
KON 713102-12	-08	12.7	1/2"	12.3-13.5	17.5-19.1	23.0 MAX.	20	290	80	1160	180	0.640	50/100	DPF2T-08
KON 713102-16	-10	16.0	5/8"	15.5-16.7	20.6-22.2	26.2 MAX.	20	290	80	1160	200	0.732	50/100	DPF2T-10
KON 713102-19	-12	19.0	3/4"	18.6-19.8	24.6-26.2	30.1 MAX.	20	290	80	1160	240	0.930	50/100	DPF2T-12
KON 713102-25	-16	25.4	1"	25.0-26.4	32.5-34.1	38.9 MAX.	20	290	80	1160	300	1.360	50/100	DPF2T-16

Marking / Layline (Printing, Ink)



- Cover Type:** Wrapped, Smooth
- Packing Type:** Roll, Pallet, Reel
- Outward Appearance:** Red

Certificate: ISO 9001, ISO 14001, MSHA, DAKKS, DEKRA, DIN, SAE, MA, WSF

Powered by DME&JDE Group

## Steam Hose 1TB Textile Braided Fluid Hose



Applicable Specs:  
■ STEAM HOSE 1TB

Applications:



Italy Technology Equipment

Product Series:



-40 °C / +210 °C

**Internal hose:**  
Black colour, EPDM rubber resistant to saturated steam

**Reinforcement:**  
1 layer of textile/cotton fiber braid

**Covering:**  
Red colour, EPDM resistant to ozone and weather

**Fittings:**  
Ferrule: No-skive Type DPF2T •  
Insert: DPX2XX (X: Can choose) •  
Certificate: MSHA & BV & GOST & IATF 16949  
& ISO 9001 & ISO 14001 & ISO 45001  
& DAKKS & SGS & MA & DEKRA Approved



**Working Pressure:**  
12–35 Bar / 174–507.5 PSI

**Temperature:**

- High Temperature steam lines up to +210 °C (intermittent +230 °C)
- High Temperature transport liquid, -40 °C to +135 °C (intermittent 155 °C)
- Prolonged operation at extreme temperatures will reduce hoses life

**Media:**  
Water, Heated steam

#	Hose Size		I.D.	R.O.D.	O.D.	Operating Pressure		Burst Pressure		Bend Radius	Weight	Length Per PCS	Ferrule	
Part Number	Dash Size	mm	inch	mm	mm	bar	psi	bar	psi	mm	kgs/m	meter	DME Code	
KON 713101-05 1TB	-03	4.8	3/16"	4.4-5.2	-	10.0-11.6	35	507.5	140	2030	50	0.100	50/100	PUSH-ON-R6/1TE-03
KON 713101-06 1TB	-04	6.4	1/4"	5.9-6.9	-	11.6-13.2	28	406	112	1624	65	0.110	50/100	PUSH-ON-R6/1TE-04
KON 713101-08 1TB	-05	8.0	5/16"	7.4-8.4	-	13.1-14.7	28	406	112	1624	75	0.130	50/100	PUSH-ON-R6/1TE-05
KON 713101-10 1TB	-06	9.5	3/8"	9.0-10.0	-	14.7-16.3	28	406	112	1624	75	0.160	50/100	PUSH-ON-R6/1TE-06
KON 713101-12 1TB	-08	12.7	1/2"	12.1-13.3	-	17.7-19.7	28	406	112	1624	100	0.220	50/100	PUSH-ON-R6/1TE-08
KON 713101-16 1TB	-10	16.0	5/8"	15.3-16.5	-	21.9-23.9	24	348	96	1392	125	0.270	50/100	PUSH-ON-R6/1TE-10
KON 713101-19 1TB	-12	19.0	3/4"	18.2-19.8	-	25.4-27.8	21	304.5	84	1218	150	0.330	50/100	PUSH-ON-R6/1TE-12
KON 713101-25 1TB	-16	25.4	1"	24.6-26.2	-	32.2-34.6	12	174	48	696	155	0.500	50/100	PUSH-ON-R6/1TE-16

Marking / Layline (Printing, Ink)



**Cover Type:**  
Wrapped, Smooth

**Packing Type:**  
Roll, Pallet, Reel

**Outward Appearance:**  
● Red ● Black ● Green ● Blue



Powered by DME&JDE Group

## Steam Hose 2TB Textile Braided Fluid Hose



Applicable Specs:  
■ STEAM HOSE 2TB

Applications:



Italy Technology Equipment

Product Series:



-40 °C / +210 °C

**Internal hose:**  
Black colour, EPDM rubber resistant to saturated steam

**Reinforcement:**  
2 layers of textile/cotton fiber braid

**Covering:**  
Red colour, EPDM resistant to ozone and weather

**Fittings:**  
Ferrule: No-skive Type DPF2T •  
Insert: DPX2XX (X: Can choose) •  
Certificate: MSHA & BV & GOST & IATF 16949  
& ISO 9001 & ISO 14001 & ISO 45001  
& DAKKS & SGS & MA & DEKRA Approved



**Working Pressure:**  
20 Bar / 290 PSI

**Temperature:**

- High Temperature steam lines up to +210 °C (intermittent +230 °C)
- High Temperature transport liquid, -40 °C to +135 °C (intermittent 155 °C)
- Prolonged operation at extreme temperatures will reduce hoses life

**Media:**  
Water, Heated steam

#	Hose Size		I.D.	R.O.D.	O.D.	Operating Pressure		Burst Pressure		Bend Radius	Weight	Length Per PCS	Ferrule	
Part Number	Dash Size	mm	inch	mm	mm	bar	psi	bar	psi	mm	kgs/m	meter	DME Code	
KON 713102-08 2TB	-05	8.0	5/16"	7.6-8.5	-	16.7-18.3	20	290	80	1160	100	0.280	50/100	PUSH-ON-R3-05
KON 713102-10 2TB	-06	9.5	3/8"	9.2-10.1	-	18.3-19.8	20	290	80	1160	100	0.300	50/100	PUSH-ON-R3-06
KON 713102-12 2TB	-08	12.7	1/2"	12.4-13.5	-	23.0-24.6	20	290	80	1160	125	0.420	50/100	PUSH-ON-R3-08
KON 713102-16 2TB	-10	16.0	5/8"	15.6-16.7	-	26.2-27.8	20	290	80	1160	140	0.470	50/100	PUSH-ON-R3-10
KON 713102-19 2TB	-12	19.0	3/4"	18.7-19.8	-	31.0-32.5	20	290	80	1160	150	0.680	50/100	PUSH-ON-R3-12
KON 713102-25 2TB	-16	25.4	1"	25.1-26.2	-	36.9-39.3	20	290	80	1160	205	0.900	50/100	PUSH-ON-R3-16

Marking / Layline (Printing, Ink)



**Cover Type:**  
Wrapped, Smooth

**Packing Type:**  
Roll, Pallet, Reel

**Outward Appearance:**  
● Red



Powered by DME&JDE Group



# SAE R5 CX Wire Braided Fluid Hose



Applicable Specs:  
▪ SAE 100R5 CX

Applications:



**Italy Technology Equipment**

Product Series:

-50 °C / +155 °C

- Internal hose:** Synthetic rubber, extruded whole without joints, of uniform thickness
- Reinforcement:** 1 layer of steel wire braid
- Covering:** Blue Color textile braided cover
- Fittings:**
  - Ferrule: No-skive Type DPF5
  - Insert: DPF5 (X: Can choose)
  - Certificate: MSHA & BV & GOST & IATF 16949 & ISO 9001 & ISO 14001 & ISO 45001 & DAKKS & SGS & MA & DEKRA Approved



- Working Pressure:** 24–210 Bar / 348–3045 PSI
- Temperature:**
  - 40 °C to +135 °C petroleum based fluids (intermittent 155°C)
- Media:** Hydraulic fluids petroleum based (mineral oils), glycol-water based, water, lubricants

#	Hose Size		I.D.	R.O.D.	O.D.	Operating Pressure		Burst Pressure		Bend Radius	Weight	Length Per PCS	Ferrule	
	Dash Size	mm				inch	bar	psi	bar					psi
KON 332105-05 CX	-04	4.8	3/16"	4.8-5.5	-	12.7-13.7	210	3045	840	12180	75	0.130	50/100	DPFR5-04
KON 332105-06 CX	-05	6.4	1/4"	6.4-7.2	-	14.3-15.3	210	3045	840	12180	85	0.160	50/100	DPFR5-05
KON 332105-08 CX	-06	7.9	5/16"	7.9-8.7	-	16.7-17.6	157	2276.5	628	9106	100	0.200	50/100	DPFR5-06
KON 332105-11 CX	-08	10.3	13/32"	10.3-11.1	-	18.9-20.0	140	2030	560	8120	115	0.240	50/100	DPFR5-08
KON 332105-12 CX	-10	12.7	1/2"	12.7-13.7	-	22.8-24.0	122	1769	488	7076	140	0.350	50/100	DPFR5-10
KON 332105-16 CX	-12	15.9	5/8"	15.9-17.0	-	26.8-28.0	105	1522.5	420	6090	165	0.450	50/100	DPFR5-12
KON 332105-22 CX	-16	22.2	7/8"	22.2-23.3	-	30.6-32.2	56	812	224	3248	185	0.400	50/100	DPFR5-16
KON 332105-29 CX	-20	28.6	1-1/8"	28.6-29.8	-	37.3-38.9	43	623.5	172	2494	230	0.550	50	DPFR5-20
KON 332105-35 CX	-24	34.9	1-3/8"	34.9-36.1	-	43.7-45.2	35	507.5	140	2030	265	0.700	50	DPFR5-24
KON 332105-46 CX	-32	46.0	1-13/16"	46.0-47.2	-	55.2-57.6	24	348	96	1392	335	0.990	50	DPFR5-32

Marking / Layline (Printing, Ink)



- Cover Type:** Textile fabrics
- Packing Type:** Roll, Pallet, Reel
- Outward Appearance:** Klein Blue



Powered by DME&JDE Group

# Washer Hose 1W Wire Braided Fluid Hose



Applicable Specs:

- DIN EN 853 ISN
- EXCEEDS SAE 100RIAT
- ISO 1436:2009
- ISO 1307
- PN-EN ISO 8030 / PN-EN 13463
- PN-EN 1804-3+A1 / PN-EN ISO 4413
- ISO 6805 / EN 13463
- PN-G 32010

Applications:



**German Technology Equipment**

Product Series:

-50 °C / +155 °C

- Internal hose:** Synthetic rubber, extruded whole without joints, of uniform thickness
- Reinforcement:** 1 layer of steel wire braid
- Covering:** Anti-abrasive synthetic rubber, resistant to oils, fuels and atmospheric conditions
- Fittings:**
  - Ferrule: No-skive Type DPF2T
  - Insert: DPX2XX or DPX1XX (X: Can choose)
  - Certificate: MSHA & BV & GOST & IATF 16949 & ISO 9001 & ISO 14001 & ISO 45001 & DAKKS & SGS & MA & DEKRA Approved



- Working Pressure:** 40–250 Bar / 580–3625 PSI
- Impulse times:** ≥ 150,000 Times
- Temperature:**
  - 40 °C to +135 °C (intermittent 155 °C)
- Media:** Mineral and biological oils, glycol-water based, water, lubricants

#	Hose Size		I.D.	R.O.D.	O.D.	Operating Pressure		Burst Pressure		Bend Radius	Weight	Length Per PCS	Ferrule	
	Dash Size	mm				inch	mm	mm	mm					bar
KON 512101-06	-04	6.4	1/4"	6.2-7.0	11.0 MAX.	13.2 MAX.	250	3625	900	13050	50	1.190	50/100	DPF2T-04
KON 512101-08	-05	8.0	5/16"	7.7-8.5	13.0 MAX.	15.0 MAX.	220	3190	850	12325	55	0.200	50/100	DPF2T-05
KON 512101-10	-06	9.5	3/8"	9.3-10.1	15.0 MAX.	17.0 MAX.	220	3190	720	10440	65	0.260	50/100	DPF2T-06
KON 512101-12	-08	12.7	1/2"	12.3-13.5	18.8 MAX.	21.1 MAX.	220	3190	640	9280	90	0.390	50/100	DPF2T-08
KON 512101-16	-10	16.0	5/8"	15.5-16.7	20.6-22.2	24.5 MAX.	130	1885	520	7540	200	0.581	50/100	DPF2T-10
KON 512101-19	-12	19.0	3/4"	18.6-19.8	24.6-26.2	28.5 MAX.	105	1522.5	420	6090	240	0.690	50/100	DPF2T-12
KON 512101-25	-16	25.4	1"	25.0-26.4	32.5-34.1	36.6 MAX.	88	1276	352	5104	300	0.830	50/100	DPF2T-16
KON 512101-32	-20	31.8	1-1/4"	31.4-33.0	39.3-41.7	44.8 MAX.	63	913.5	252	3654	420	1.325	20/40	DPF2T-20
KON 512101-38	-24	38.1	1-1/2"	37.7-39.3	45.6-48.0	52.1 MAX.	50	725	200	2900	500	1.500	20/40	DPF2T-24
KON 512101-51	-32	50.8	2"	50.4-52.0	58.7-61.7	65.5 MAX.	40	580	160	2320	630	1.875	20/40	DPF2T-32

Marking / Layline (Printing, Ink, Embossed)



- Cover Type:** Wrapped, Smooth
- Packing Type:** Roll, Pallet, Reel
- Outward Appearance:** Black, Gray, Klein Blue



Powered by DME&JDE Group

# Washer Hose 2W Wire Braided Fluid Hose



Applicable Specs:

- DIN EN 853 2SN ■ EXCEEDS SAE 100R2AT ■ ISO 1436:2009 ■ ISO 1307
- PN-EN ISO 8030 / PN-EN 13463 ■ PN-EN 1804-3+A1 / PN-EN ISO 4413 ■ ISO 6805 / EN 13463
- PN-G 32010

Applications:



German Technology Equipment

Product Series:



-50 °C / +155 °C

**Internal hose:**  
Synthetic rubber, extruded whole without joints, of uniform thickness

**Reinforcement:**  
2 layers of steel wire braid

**Covering:**  
Anti-abrasive synthetic rubber, resistant to oils, fuels and atmospheric conditions

**Fittings:**  
Ferrule: No-skive Type DPF2T •  
Insert: DPX2XX or DPX1XX (X: Can choose) •  
Certificate: MSHA & BV & GOST & IATF 16949 •  
& ISO 9001 & ISO 14001 & ISO 45001 •  
& DAKKS & SGS & MA & DEKRA Approved



**Working Pressure:**  
80–400 Bar / 1160–5800 PSI

**Impulse times:**  
≥ 200,000 Times

**Temperature:**  
• -40 °C to +135 °C (intermittent 155 °C)

**Media:**  
Mineral and biological oils, glycol-water based, water, lubricants

#	Hose Size		I.D.	R.O.D.	O.D.	Operating Pressure		Burst Pressure		Bend Radius	Weight	Length Per PCS	Ferrule	
Part Number	Dash Size	mm	inch	mm	mm	bar	psi	bar	psi	mm	kgs/m	meter	DME Code	
KON 512102-06	-04	6.4	1/4"	6.2-7.0	10.6-11.6	15.7 MAX.	400	5800	1600	23200	100	0.372	50/100	DPF2T-04
KON 512102-08	-05	8.0	5/16"	7.7-8.5	12.1-13.3	17.3 MAX.	350	5075	1400	20300	115	0.430	50/100	DPF2T-05
KON 512102-10	-06	9.5	3/8"	9.3-10.1	14.5-15.7	19.7 MAX.	330	4785	1320	19140	130	0.560	50/100	DPF2T-06
KON 512102-12	-08	12.7	1/2"	12.3-13.5	17.5-19.1	23.0 MAX.	275	3987.5	1100	15950	180	0.640	50/100	DPF2T-08
KON 512102-16	-10	16.0	5/8"	15.5-16.7	20.6-22.2	26.2 MAX.	250	3625	1000	14500	200	0.732	50/100	DPF2T-10
KON 512102-19	-12	19.0	3/4"	18.6-19.8	24.6-26.2	30.1 MAX.	215	3117.5	860	12470	240	0.930	50/100	DPF2T-12
KON 512102-25	-16	25.4	1"	25.0-26.4	32.5-34.1	38.9 MAX.	165	2392.5	660	9570	300	1.360	50/100	DPF2T-16
KON 512102-32	-20	31.8	1-1/4"	31.4-33.0	39.3-41.7	49.5 MAX.	125	1812.5	500	7250	420	1.850	20/40	DPF2T-20
KON 512102-38	-24	38.1	1-1/2"	37.7-39.3	45.6-48.0	55.9 MAX.	90	1305	360	5220	500	2.300	20/40	DPF2T-24
KON 512102-51	-32	50.8	2"	50.4-52.0	58.7-61.7	68.6 MAX.	80	1160	320	4640	630	2.650	20/40	DPF2T-32

Marking / Layline (Printing, Ink, Embossed)



- Cover Type:** Wrapped
- Packing Type:** Roll, Pallet, Reel
- Outward Appearance:** ● Black, ● Gray, ● Klein Blue



Powered by DME&JDE Group

# Washer Hose 2SC Wire Braided Fluid Hose



Applicable Specs:

- DIN EN 857 2SC ■ EXCEEDS SAE 100R2AT ■ ISO 1436:2009 ■ ISO 1307
- PN-EN ISO 8030 / PN-EN 13463 ■ PN-EN 1804-3+A1 / PN-EN ISO 4413 ■ ISO 6805 / EN 13463
- PN-G 32010

Applications:



German Technology Equipment

Product Series:



-50 °C / +155 °C

**Internal hose:**  
Synthetic rubber, extruded whole without joints, of uniform thickness

**Reinforcement:**  
2 layers of steel wire braid

**Covering:**  
Anti-abrasive synthetic rubber, resistant to oils, fuels and atmospheric conditions

**Fittings:**  
Ferrule: No-skive Type DPF2T •  
Insert: DPX2XX or DPX1XX (X: Can choose) •  
Certificate: MSHA & BV & GOST & IATF 16949 •  
& ISO 9001 & ISO 14001 & ISO 45001 •  
& DAKKS & SGS & MA & DEKRA Approved



**Working Pressure:**  
165–400 Bar / 2392.5–5800 PSI

**Impulse times:**  
≥ 200,000 Times

**Temperature:**  
• -40 °C to +135 °C (intermittent 155 °C)

**Media:**  
Mineral and biological oils, glycol-water based, water, lubricants

#	Hose Size		I.D.	R.O.D.	O.D.	Operating Pressure		Burst Pressure		Bend Radius	Weight	Length Per PCS	Ferrule	
Part Number	Dash Size	mm	inch	mm	mm	bar	psi	bar	psi	mm	kgs/m	meter	DME Code	
KON 512122-06	-04	6.4	1/4"	6.1-6.9	10.6-11.7	14.2 MAX.	400	5800	1600	23200	75	0.290	50/100	DPF2T-04
KON 512122-08	-05	8.0	5/16"	7.7-8.5	12.1-13.3	16.0 MAX.	350	5075	1400	20300	85	0.330	50/100	DPF2T-05
KON 512122-10	-06	9.5	3/8"	9.3-10.1	14.4-15.6	18.3 MAX.	330	4785	1320	19140	90	0.420	50/100	DPF2T-06
KON 512122-12	-08	12.7	1/2"	12.3-13.5	17.5-19.1	21.5 MAX.	275	3987.5	1100	15950	130	0.550	50/100	DPF2T-08
KON 512122-16	-10	16.0	5/8"	15.5-16.7	20.5-22.3	24.7 MAX.	250	3625	1000	14500	150	0.650	50/100	DPF2T-10
KON 512122-19	-12	19.0	3/4"	18.6-19.8	24.6-26.4	28.6 MAX.	215	3117.5	860	12470	180	0.790	50/100	DPF2T-12
KON 512122-25	-16	25.4	1"	25.0-26.4	32.5-34.3	36.6 MAX.	165	2392.5	660	9570	230	1.180	50/100	DPF2T-16

Marking / Layline (Printing, Ink, Embossed)



- Cover Type:** Wrapped, Smooth
- Packing Type:** Roll, Pallet, Reel
- Outward Appearance:** ● Black, ● Gray, ● Klein Blue



Powered by DME&JDE Group





# Ultra Low Temperature -50 °C



### Application



## 1SN



### Applicable Specs:

- DIN EN 853 1SN
- EXCEEDS SAE 100RIAT
- ISO 1436:2009
- TS 6387 EN 853 1SN
- ISO 1307 / EN 1804-3
- ISO 6805 / EN 13463-1



## 2SN



### Applicable Specs:

- DIN EN 853 2SN
- EXCEEDS SAE 100R2AT
- ISO 1436:2009
- ISO 1307
- PN-EN ISO 8030 / PN-EN 13463
- PN-EN 1804-3+A1 / PN-EN ISO 4413
- ISO 6805 / EN 13463
- PN-G 32010



## 1SC



### Applicable Specs:

- DIN EN 857 1SC
- ISO 1436:2009
- TS 6387 EN 857 1SC
- ISO 1307
- ISO 6805
- EN 13463-1



## 2SC



### Applicable Specs:

- DIN EN 857 2SC
- ISO 11237-1 2SC
- EN 1804-3
- ISO 1307
- ISO 6805

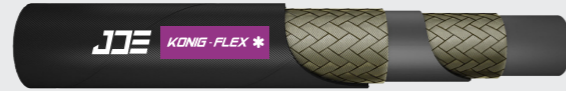


## SAE 100R16



### Applicable Specs:

- SAE 100R16
- ISO 11237-1 R16
- ISO 1307



## SAE 100R17



### Applicable Specs:

- SAE 100R17
- ISO 11237-1 R17
- ISO 1307



## 3SW



### Applicable Specs:

- Steel Wire Braid Hydraulic Hose :Wrapped Cover 3W



## 4SP



### Applicable Specs:

- DIN 20023 PART 1 TYPE 4SP
- ISO 8030 / EN 1804 / EN 13463-1
- TS 10548
- ISO 4413
- ISO 1307
- ISO 3862 4SP



## 4SH



### Applicable Specs:

- DIN 20023 PART 2 TYPE 4SH
- ISO 8030 / EN 1804-3 / ISO 6805 ISO 4413
- TS 10548 / PG-G-32010
- ISO 3862 4SH
- ISO 1307



## 1SN Wire Braided Fluid Hose



### Applicable Specs:

- DIN EN 853 1SN
- EXCEEDS SAE 100RIAT
- ISO 1436:2009
- TS 6387 EN 853 1SN
- ISO 1307 / EN 1804-3
- ISO 6805 / EN 13463-1

### Applications:



### German Technology Equipment

#### Product Series:



-50 °C / +155 °C

**Internal hose:**  
Synthetic rubber, extruded whole without joints, of uniform thickness

**Reinforcement:**  
1 layer of steel wire braid

**Covering:**  
Anti-abrasive synthetic rubber, resistant to oils, fuels and atmospheric conditions

**Fittings:**  
Ferrule: No-skive Type DPF2T •  
Insert: DPX1XX (X: Can choose) •  
Certificate: MSHA & BV & GOST & IATF 16949 •  
& ISO 9001 & ISO 14001 & ISO 45001 •  
& DAKKS & SGS & MA & DEKRA Approved

### Working Pressure:

40–250 Bar / 580–3625 PSI

### Impulse times:

≥ 150,000 Times

### Temperature:

- -50 °C to +100 °C (intermittent -55 °C or +120 °C)
- 0 °C to +70 °C for water based fluids
- 0 °C to +70 °C hot air
- Prolonged operation at extreme temperatures will reduce hoses life

### Media:

Mineral and biological oils, glycol-water based, water, lubricants

#														
Part Number	Hose Size		I.D.	R.O.D.	O.D.	Operating Pressure		Burst Pressure		Bend Radius	Weight	Length Per PCS	Ferrule	
I.D.	Dash Size	mm	inch	mm	mm	mm	bar	psi	bar	psi	mm	kgs/m	meter	DME Code
KON 211101-05	-03	4.8	3/16"	4.6-5.4	9.0-10.0	12.5 MAX.	250	3625.0	1000	14500	90	0.240	50/100	DPF2T-03
KON 211101-06	-04	6.4	1/4"	6.2-7.0	10.6-11.6	14.1 MAX.	225	3262.5	900	13050	100	0.255	50/100	DPF2T-04
KON 211101-08	-05	8.0	5/16"	7.7-8.5	12.1-13.3	15.7 MAX.	215	3117.5	860	12470	115	0.304	50/100	DPF2T-05
KON 211101-10	-06	9.5	3/8"	9.3-10.1	14.5-15.7	18.1 MAX.	180	2610.0	720	10440	130	0.390	50/100	DPF2T-06
KON 211101-12	-08	12.7	1/2"	12.3-13.5	17.5-19.1	21.4 MAX.	160	2320.0	640	9280	180	0.472	50/100	DPF2T-08
KON 211101-16	-10	16.0	5/8"	15.5-16.7	20.6-22.2	24.5 MAX.	130	1885.0	520	7540	200	0.581	50/100	DPF2T-10
KON 211101-19	-12	19.0	3/4"	18.6-19.8	24.6-26.2	28.5 MAX.	105	1522.5	420	6090	240	0.690	50/100	DPF2T-12
KON 211101-25	-16	25.4	1"	25.0-26.4	32.5-34.1	36.6 MAX.	88	1276.0	352	5104	300	0.830	50/100	DPF2T-16
KON 211101-32	-20	31.8	1-1/4"	31.4-33.0	39.3-41.7	44.8 MAX.	63	913.5	252	3654	420	1.325	20/40	DPF2T-20
KON 211101-38	-24	38.1	1-1/2"	37.7-39.3	45.6-48.0	52.1 MAX.	50	725.0	200	2900	500	1.500	20/40	DPF2T-24
KON 211101-51	-32	50.8	2"	50.4-52.0	58.7-61.7	65.5 MAX.	40	580.0	160	2320	630	1.875	20/40	DPF2T-32

### Marking / Layline (Printing, Ink, Embossed)



**Cover Type:**  
Wrapped

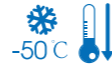
**Packing Type:**  
Roll, Pallet, Reel

**Outward Appearance:**  
● Black





## 2SN Wire Braided Fluid Hose



Applicable Specs:

- DIN EN 853 2SN ■ EXCEEDS SAE 100R2AT ■ ISO 1436:2009 ■ ISO 1307
- PN-EN ISO 8030 / PN-EN 13463 ■ PN-EN 1804-3+A1 / PN-EN ISO 4413 ■ ISO 6805 / EN 13463
- PN-G 32010

Applications:



**German Technology Equipment**

Product Series:

-50 °C / +155 °C

- Internal hose:** Synthetic rubber, extruded whole without joints, of uniform thickness
- Reinforcement:** 2 layers of steel wire braid
- Covering:** Anti-abrasive synthetic rubber, resistant to oils, fuels and atmospheric conditions
- Fittings:**
  - Ferrule: No-skive Type DPF2T
  - Insert: DPX2XX (X: Can choose)
  - Certificate: MSHA & BV & GOST & IATF 16949 & ISO 9001 & ISO 14001 & ISO 45001 & DAKKS & SGS & MA & DEKRA Approved



- Working Pressure:** 80–415 Bar / 1160–6017.5 PSI
- Impulse times:** ≥ 200,000 Times
- Temperature:**
  - -50 °C to +100 °C (intermittent -55 °C or +120 °C)
  - 0 °C to +70 °C for water based fluids
  - 0 °C to +70 °C hot air
  - Prolonged operation at extreme temperatures will reduce hoses life
- Media:** Mineral and biological oils, glycol-water based, water, lubricants

#	Hose Size			I.D.	R.O.D.	O.D.	Operating Pressure		Burst Pressure		Bend Radius	Weight	Length Per PCS	Ferrule
	I.D.	Dash Size					bar	psi	bar	psi				
KON 211102-05	-03	4.8	3/16"	4.6-5.4	9.0-10.0	14.1 MAX.	415	6017.5	1660	24070	90	0.340	50/100	DPF2T-03
KON 211102-06	-04	6.4	1/4"	6.2-7.0	10.6-11.6	15.7 MAX.	400	5800.0	1600	23200	100	0.372	50/100	DPF2T-04
KON 211102-08	-05	8.0	5/16"	7.7-8.5	12.1-13.3	17.3 MAX.	350	5075.0	1400	20300	115	0.430	50/100	DPF2T-05
KON 211102-10	-06	9.5	3/8"	9.3-10.1	14.5-15.7	19.7 MAX.	330	4785.0	1320	19140	130	0.560	50/100	DPF2T-06
KON 211102-12	-08	12.7	1/2"	12.3-13.5	17.5-19.1	23.0 MAX.	275	3987.5	1100	15950	180	0.640	50/100	DPF2T-08
KON 211102-16	-10	16.0	5/8"	15.5-16.7	20.6-22.2	26.2 MAX.	250	3625.0	1000	14500	200	0.732	50/100	DPF2T-10
KON 211102-19	-12	19.0	3/4"	18.6-19.8	24.6-26.2	30.1 MAX.	215	3117.5	860	12470	240	0.930	50/100	DPF2T-12
KON 211102-25	-16	25.4	1"	25.0-26.4	32.5-34.1	38.9 MAX.	165	2392.5	660	9570	300	1.360	50/100	DPF2T-16
KON 211102-32	-20	31.8	1-1/4"	31.4-33.0	39.3-41.7	49.5 MAX.	125	1812.5	500	7250	420	1.850	20/40	DPF2T-20
KON 211102-38	-24	38.1	1-1/2"	37.7-39.3	45.6-48.0	55.9 MAX.	90	1305.0	360	5220	500	2.300	20/40	DPF2T-24
KON 211102-51	-32	50.8	2"	50.4-52.0	58.7-61.7	68.6 MAX.	80	1160.0	320	4640	630	2.650	20/40	DPF2T-32

Marking / Layline (Printing, Ink, Embossed)



- Cover Type:** Wrapped
  - Packing Type:** Roll, Pallet, Reel
  - Outward Appearance:** ● Black
- Certificate: ISO 9001, ISO 14001, MSHA, DAKKS, DEKRA, DIN, SAE, MA, WSF

Powered by DME&JDE Group

## 1SC Wire Braided Fluid Hose



Applicable Specs:

- DIN EN 857 1SC ■ ISO 1436:2009 ■ TS 6387 EN 857 1SC ■ ISO 1307
- ISO 6805 ■ EN 13463-1

Applications:



**German Technology Equipment**

Product Series:

-50 °C / +155 °C

- Internal hose:** Synthetic rubber, extruded whole without joints, of uniform thickness
- Reinforcement:** 1 layer of steel wire braid
- Covering:** Anti-abrasive synthetic rubber, resistant to oils, fuels and atmospheric conditions
- Fittings:**
  - Ferrule: No-skive Type DPF2T
  - Insert: DPX1XX (X: Can choose)
  - Certificate: MSHA & BV & GOST & IATF 16949 & ISO 9001 & ISO 14001 & ISO 45001 & DAKKS & SGS & MA & DEKRA Approved



- Working Pressure:** 88–225 Bar / 1276–3262.5 PSI
- Impulse times:** ≥ 150,000 Times
- Temperature:**
  - -50 °C to +100 °C (intermittent -55 °C or +120 °C)
  - 0 °C to +70 °C for water based fluids
  - 0 °C to +70 °C hot air
  - Prolonged operation at extreme temperatures will reduce hoses life
- Media:** Mineral and biological oils, glycol-water based, water, lubricants

#	Hose Size			I.D.	R.O.D.	O.D.	Operating Pressure		Burst Pressure		Bend Radius	Weight	Length Per PCS	Ferrule
	I.D.	Dash Size					bar	psi	bar	psi				
KON 211121-06	-04	6.4	1/4"	6.1-6.9	9.6-10.8	13.5 MAX.	225	3262.5	900	13050	75	0.190	50/100	DPF2T-04
KON 211121-08	-05	8.0	5/16"	7.7-8.5	10.9-12.1	14.5 MAX.	215	3117.5	860	12470	85	0.220	50/100	DPF2T-05
KON 211121-10	-06	9.5	3/8"	9.3-10.1	12.7-14.5	16.9 MAX.	180	2610.0	720	10440	90	0.250	50/100	DPF2T-06
KON 211121-12	-08	12.7	1/2"	12.3-13.5	15.9-18.1	20.4 MAX.	160	2320.0	640	9280	130	0.350	50/100	DPF2T-08
KON 211121-16	-10	16.0	5/8"	15.5-16.7	19.8-21.0	23.0 MAX.	130	1885.0	520	7540	150	0.450	50/100	DPF2T-10
KON 211121-19	-12	19.0	3/4"	18.6-19.8	23.2-24.4	26.7 MAX.	105	1522.5	420	6090	180	0.500	50/100	DPF2T-12
KON 211121-25	-16	25.4	1"	25.0-26.4	30.7-31.9	34.9 MAX.	88	1276.0	352	5104	230	0.750	50/100	DPF2T-16

Marking / Layline (Printing, Ink, Embossed)



- Cover Type:** Wrapped
  - Packing Type:** Roll, Pallet, Reel
  - Outward Appearance:** ● Black
- Certificate: ISO 9001, ISO 14001, MSHA, DAKKS, DEKRA, DIN, SAE, MA, WSF

Powered by DME&JDE Group

## 2SC Wire Braided Fluid Hose



Applicable Specs:

- DIN EN 857 2SC ■ ISO 11237-1 2SC ■ EN 1804-3 ■ ISO 1307 ■ ISO 6805

Applications:



**German Technology Equipment**

Product Series:

-50 °C / +155 °C

**Internal hose:** Synthetic rubber, extruded whole without joints, of uniform thickness

**Reinforcement:** 2 layers of steel wire braid

**Covering:** Anti-abrasive synthetic rubber, resistant to oils, fuels and atmospheric conditions

**Fittings:** Ferrule: No-skive Type DPF2T • Insert: DPX2XX (X: Can choose) • Certificate: MSHA & BV & GOST & IATF 16949 & ISO 9001 & ISO 14001 & ISO 45001 & DAKKS & SGS & MA & DEKRA Approved

**Working Pressure:** 165–400 Bar / 2392.5–5800 PSI

**Impulse times:** ≥ 200,000 Times

**Temperature:** • -50 °C to +100 °C (intermittent -55 °C or +120 °C) • 0 °C to +70 °C for water based fluids • 0 °C to +70 °C hot air • *Prolonged operation at extreme temperatures will reduce hoses life*

**Media:** Mineral and biological oils, glycol-water based, water, lubricants

#	Hose Size		I.D.	R.O.D.	O.D.	Operating Pressure		Burst Pressure	Bend Radius	Weight	Length Per PCS	Ferrule		
	Dash Size	mm				inch	bar						psi	bar
KON 211122-06	-04	6.4	1/4"	6.1-6.9	10.6-11.7	14.2 MAX.	400	5800.0	1600	23200	75	0.290	50/100	DPF2T-04
KON 211122-08	-05	8.0	5/16"	7.7-8.5	12.1-13.3	16.0 MAX.	350	5075.0	1400	20300	85	0.330	50/100	DPF2T-05
KON 211122-10	-06	9.5	3/8"	9.3-10.1	14.4-15.6	18.3 MAX.	330	4785.0	1320	19140	90	0.420	50/100	DPF2T-06
KON 211122-12	-08	12.7	1/2"	12.3-13.5	17.5-19.1	21.5 MAX.	275	3987.5	1100	15950	130	0.550	50/100	DPF2T-08
KON 211122-16	-10	16.0	5/8"	15.5-16.7	20.5-22.3	24.7 MAX.	250	3625.0	1000	14500	150	0.650	50/100	DPF2T-10
KON 211122-19	-12	19.0	3/4"	18.6-19.8	24.6-26.4	28.6 MAX.	215	3117.5	860	12470	180	0.790	50/100	DPF2T-12
KON 211122-25	-16	25.4	1"	25.0-26.4	32.5-34.3	36.6 MAX.	165	2392.5	660	9570	230	1.180	50/100	DPF2T-16

Marking / Layline (Printing, Ink, Embossed)

**Cover Type:** Wrapped

**Packing Type:** Roll, Pallet, Reel

**Outward Appearance:** ● Black

**Certificate:** ISO 9001, ISO 14001, MSHA, DAKKS, DEKRA, DIN, SAE, MA, WSF

## SAE 100R16 Wire Braided Fluid Hose



Applicable Specs:

- SAE 100R16 ■ ISO 11237-1 R16 ■ ISO 1307

Applications:



**German Technology Equipment**

Product Series:

-50 °C / +155 °C

**Internal hose:** Synthetic rubber, extruded whole without joints, of uniform thickness

**Reinforcement:** 2 layers of steel wire braid

**Covering:** Anti-abrasive synthetic rubber, resistant to oils, fuels and atmospheric conditions

**Fittings:** Ferrule: No-skive Type DPF2T • Insert: DPX2XX (X: Can choose) • Certificate: MSHA & BV & GOST & IATF 16949 & ISO 9001 & ISO 14001 & ISO 45001 & DAKKS & SGS & MA & DEKRA Approved

**Working Pressure:** 125–400 Bar / 1812.5–5800 PSI

**Impulse times:** ≥ 200,000 Times

**Temperature:** • -50 °C to +100 °C (intermittent -55 °C or +120 °C) • 0 °C to +70 °C for water based fluids • 0 °C to +70 °C hot air • *Prolonged operation at extreme temperatures will reduce hoses life*

**Media:** Mineral and biological oils, glycol-water based, water, lubricants

#	Hose Size		I.D.	R.O.D.	O.D.	Operating Pressure		Burst Pressure	Bend Radius	Weight	Length Per PCS	Ferrule		
	Dash Size	mm				inch	mm						mm	mm
KON 311116-06	-04	6.4	1/4"	6.2-7.0	12.3 MAX.	14.5 MAX.	400	5800.0	1600	23200	50	0.290	50/100	DPF2T-04
KON 311116-08	-05	8.0	5/16"	7.7-8.5	13.3 MAX.	15.7 MAX.	350	5075.0	1400	20300	55	0.330	50/100	DPF2T-05
KON 311116-10	-06	9.5	3/8"	9.3-10.1	15.9 MAX.	18.8 MAX.	330	4785.0	1320	19140	65	0.420	50/100	DPF2T-06
KON 311116-12	-08	12.7	1/2"	12.3-13.5	19.0 MAX.	22.0 MAX.	275	3987.5	1100	15950	90	0.550	50/100	DPF2T-08
KON 311116-16	-10	16.0	5/8"	15.5-16.7	22.6 MAX.	25.4 MAX.	250	3625.0	1000	14500	100	0.650	50/100	DPF2T-10
KON 311116-19	-12	19.0	3/4"	18.6-19.8	26.3 MAX.	29.0 MAX.	215	3117.5	860	12470	120	0.790	50/100	DPF2T-12
KON 311116-25	-16	25.4	1"	25.0-26.4	34.0 MAX.	36.6 MAX.	165	2392.5	660	9570	150	1.180	50/100	DPF2T-16
KON 311116-32	-20	31.5	1-1/4"	31.4-33.0	41.9 MAX.	44.3 MAX.	125	1812.5	500	7250	210	1.800	40	DPF2T-20

Marking / Layline (Printing, Ink, Embossed)

**Cover Type:** Wrapped

**Packing Type:** Roll, Pallet, Reel

**Outward Appearance:** ● Black

**Certificate:** ISO 9001, ISO 14001, MSHA, DAKKS, DEKRA, DIN, SAE, MA, WSF



# SAE 100R17 Wire Braided Fluid Hose



Applicable Specs:

- SAE 100R17
- ISO 11237-1 R17
- ISO 1307

Applications:



**German Technology Equipment**

Product Series:

-50 °C / +155 °C

**Internal hose:**  
Synthetic rubber, extruded whole without joints, of uniform thickness

**Reinforcement:**  
1 layer of high tensile steel wire braid up to size 1/2", 2 layers of high tensile steel wire braid from size 5/8" onwards

**Covering:**  
Anti-abrasive synthetic rubber, resistant to oils, fuels and atmospheric conditions

**Fittings:**  
Ferrule: No-skive Type DPF2T •  
Insert: DPX2XX (X: Can choose) •  
Certificate: MSHA & BV & GOST & IATF 16949 & ISO 9001 & ISO 14001 & ISO 45001 & DAKKS & SGS & MA & DEKRA Approved

**Working Pressure:**  
210 Bar/3045 PSI

**Impulse times:**  
≥ 150,000 Times / ≥ 200,000 Times

**Temperature:**  
• -50 °C to +100 °C (intermittent -55 °C or +120 °C)  
• 0 °C to +70 °C for water based fluids  
• 0 °C to +70 °C hot air  
• Prolonged operation at extreme temperatures will reduce hoses life

**Media:**  
Mineral and biological oils, glycol-water based, water, lubricants

#	Hose Size		I.D.	R.O.D.	O.D.	Operating Pressure		Burst Pressure		Bend Radius	Weight	Length Per PCS	Ferrule	
Part Number	Dash Size	mm	inch	mm	mm	bar	psi	bar	psi	mm	kgs/m	meter	DME Code	
KON 311117-05	-03	4.6	3/16"	4.6-5.4	10.1 MAX.	11.6 MAX.	210	3045	840	12180	45	0.190	50/100	DPF2T-03
KON 311117-06	-04	6.4	1/4"	6.2-7.0	11.0 MAX.	13.2 MAX.	210	3045	840	12180	50	0.220	50/100	DPF2T-04
KON 311117-08	-05	8.0	5/16"	7.7-8.5	13.0 MAX.	15.0 MAX.	210	3045	840	12180	55	0.260	50/100	DPF2T-05
KON 311117-10	-06	9.5	3/8"	9.3-10.1	15.0 MAX.	17.0 MAX.	210	3045	840	12180	65	0.320	50/100	DPF2T-06
KON 311117-12	-08	12.7	1/2"	12.3-13.5	18.8 MAX.	21.1 MAX.	210	3045	840	12180	90	0.440	50/100	DPF2T-08
KON 311117-16	-10	16.0	5/8"	15.5-16.7	23.6 MAX.	25.9 MAX.	210	3045	840	12180	100	0.640	50/100	DPF2T-10
KON 311117-19	-12	19.0	3/4"	18.6-19.8	27.7 MAX.	30.3 MAX.	210	3045	840	12180	120	0.900	50/100	DPF2T-12
KON 311117-25	-16	25.4	1"	25.0-26.4	35.6 MAX.	38.6 MAX.	210	3045	840	12180	150	1.250	50/100	DPF2T-16

Marking / Layline (Printing, Ink, Embossed)

LOW TEMPERATURE RESISTANCE (-55°C) SAE100R17 ID:1/4"(6MM)MAX.WP:210BAR/3045PSI

Cover Type: Wrapped

Packing Type: Roll, Pallet, Reel

Outward Appearance: ● Black

Certificate: ISO 9001, ISO 14001, MSHA, DAKKS, DEKRA, DIN, SAE, MA, WSF

# 3SW Wire Braided Fluid Hose



Applicable Specs:

Steel Wire Braid Hydraulic Hose: Wrapped Coner 3W

Applications:



**German Technology Equipment**

Product Series:

-50 °C / +155 °C

**Internal hose:**  
Synthetic rubber, extruded whole without joints, of uniform thickness

**Reinforcement:**  
3 layers of steel wire braid •

**Covering:**  
Anti-abrasive synthetic rubber, resistant to oils, fuels and atmospheric conditions

**Fittings:**  
Ferrule: No-skive Type DPF2T •  
Insert: DPX2XX (X: Can choose) •  
Certificate: MSHA & BV & GOST & IATF 16949 & ISO 9001 & ISO 14001 & ISO 45001 & DAKKS & SGS & MA & DEKRA Approved

**Working Pressure:**  
10-600 Bar / 145-8700 PSI

**Impulse times:**  
≥ 200,000 Times

**Temperature:**  
• -50 °C to +100 °C (intermittent -55 °C or +120 °C)  
• 0 °C to +70 °C for water based fluids  
• 0 °C to +70 °C hot air  
• Prolonged operation at extreme temperatures will reduce hoses life

**Media:**  
Mineral and biological oils, glycol-water based, water, lubricants

#	Hose Size		I.D.	R.O.D.	O.D.	Operating Pressure		Burst Pressure		Bend Radius	Weight	Length Per PCS	Ferrule	
Part Number	Dash Size	mm	inch	mm	mm	bar	psi	bar	psi	mm	kgs/m	meter	DME Code	
KON 111103-06	-04	6.4	1/4"	6.2-7.0	14±0.4	16.8 Max	600	8700	2400	34800	100	0.372	10-110	DPF3T-04
KON 111103-08	-05	8.0	5/16"	7.7-8.5	17.3±0.4	20.2 Max	500	7250	2000	29000	115	0.430	10-110	DPF3T-05
KON 111103-10	-06	9.5	3/8"	9.3-10.1	19±0.4	22.2 Max	450	6525	1800	26100	130	0.560	10-110	DPF3T-06
KON 111103-12	-08	12.7	1/2"	12.3-13.5	22.8±0.4	26.0 Max	400	5800	1600	23200	180	0.640	10-110	DPF3T-08
KON 111103-16	-10	16.0	5/8"	15.5-16.7	25.8±0.4	29.4 Max	350	5075	1400	20300	200	0.732	10-110	DPF3T-10
KON 111103-19	-12	19.0	3/4"	18.6-19.8	28.8±0.4	32.8 Max	280	4060	1120	16240	240	0.930	10-110	DPF3T-12
KON 111103-22	-14	22.0	7/8"	21.6-22.4	31.6±0.4	35.2 Max	250	3625	1000	14500	280	1.000	10-110	DPF3T-14
KON 111103-25	-16	25.4	1"	25.0-26.4	34.8±0.4	38.9 Max	240	3480	960	13920	300	1.360	10-110	DPF3T-16
KON 111103-32	-20	31.8	1-1/4"	31.4-33.0	42.4±0.5	49.5 Max	190	2755	760	11020	420	1.850	10-40	DPF3T-20
KON 111103-38	-24	38.1	1-1/2"	37.7-39.3	49.7±0.5	55.9 Max	150	2175	600	8700	500	2.300	10-40	DPF3T-20
KON 111103-45	-30	45.0	1-4/5"	44.5-45.5	56.4±0.5	59.8 Max	12	174	48	696	500	1.500	10-40	DPF3T-24
KON 111103-51	-32	50.8	2"	50.4-52.0	62.4±0.5	68.6 Max	10	145	40	580	630	2.650	10-40	DPF3T-32

Marking / Layline (Printing, Ink, Embossed)

LOW TEMPERATURE RESISTANCE (-55°C) 3 LAYLINES STEEL WIRES ID:1/4"(6MM) MAX.WP:600BAR/8700PSI

Cover Type: Wrapped

Packing Type: Roll, Pallet, Reel

Outward Appearance: ● Black

Certificate: ISO 9001, ISO 14001, MSHA, DAKKS, DEKRA, DIN, SAE, MA, WSF

# 4SP Wire Spiral Fluid Hose



Applicable Specs:

- DIN 20023 PART 1 TYPE 4SP ■ TS 10548 ■ ISO 1307 ■ ISO 8030 / EN 1804 / EN 13463-1
- ISO 4413 ■ ISO 3862 4SP

Applications:



American Technology Equipment

Product Series:



-50 °C / +155 °C

- Internal hose:** Synthetic rubber, extruded whole without joints, of uniform thickness
- Reinforcement:** 4 layers of steel wire spiral
- Covering:** Anti-abrasive synthetic rubber, resistant to oils, fuels and atmospheric conditions
- Fittings:**
  - Ferrule: No-skive Type DPF4T
  - Insert: DPX4XX (X: Can choose)
  - Certificate: MSHA & BV & GOST & IATF 16949 & ISO 9001 & ISO 14001 & ISO 45001 & DAKKS & SGS & MA & DEKRA Approved



- Working Pressure:** 165–445 Bar / 2392.5-6452.5 PSI
- Impulse times:** ≥ 400,000 Times
- Temperature:**
  - -50 °C to +100 °C (intermittent -55 °C or +120 °C)
  - 0 °C to +70 °C for water based fluids
  - 0 °C to +70 °C hot air
  - Prolonged operation at extreme temperatures will reduce hoses life
- Media:** Hydraulic fluids petroleum based (mineral oils), glycol-water based, water, lubricants

#	Hose Size		I.D.	R.O.D.	O.D.	Operating Pressure		Burst Pressure		Bend Radius	Weight	Length Per PCS	Ferrule	
Part Number	Dash Size	mm	inch	mm	mm	bar	psi	bar	psi	mm	kgs/m	meter	DME Code	
KON 211104-10	-06	9.5	3/8"	9.3-10.1	16.9-18.1	20.6-22.2	445	6452.5	1780	25810	180	0.700	20/40	DPF4T-06
KON 211104-12	-08	12.7	1/2"	12.3-13.5	19.4-21.0	23.8-25.4	415	6017.5	1660	24070	230	0.800	20/40	DPF4T-08
KON 211104-16	-10	16.0	5/8"	15.5-16.7	23.0-24.6	27.4-29.0	350	5075.0	1400	20300	250	0.975	20/40	DPF4T-10
KON 211104-19	-12	19.0	3/4"	18.6-19.8	27.4-29.0	31.4-33.0	350	5075.0	1400	20300	300	1.450	20/40	DPF4T-12
KON 211104-25	-16	25.4	1"	25.0-26.4	34.5-36.1	38.5-40.9	280	4060.0	1120	16240	340	2.050	20/40	DPF4T-16
KON 211104-32	-20	31.8	1-1/4"	31.4-33.0	45.0-47.0	49.2-52.4	210	3045.0	840	12180	460	3.060	20/40	DPF4T-20
KON 211104-38	-24	38.1	1-1/2"	37.7-39.3	51.4-53.4	55.6-58.8	185	2682.5	740	10730	560	3.650	20/40	DPF4T-24
KON 211104-51	-32	50.8	2"	50.4-52.0	64.3-66.3	68.2-71.4	165	2392.5	660	9570	660	4.850	20/40	DPF4T-32

Marking / Layline (Printing, Ink, Embossed)



- Cover Type:** Wrapped
- Packing Type:** Roll, Pallet, Reel
- Outward Appearance:** ● Black
- Certificate:** ISO 9001, ISO 14001, MSHA, DAKKS, DEKRA, DIN, SAE, MA, WSF

Powered by DME&JDE Group

# 4SH Wire Spiral Fluid Hose



Applicable Specs:

- DIN 20023 PART 2 TYPE 4SH ■ TS 10548 / PG-G-32010 ■ ISO 1307
- ISO 8030 / EN 1804-3 / ISO 6805 ISO 4413 ■ ISO 3862 4SH

Applications:



American Technology Equipment

Product Series:



-50 °C / +155 °C

- Internal hose:** Synthetic rubber, extruded whole without joints, of uniform thickness
- Reinforcement:** 4 layers of steel wire spiral
- Covering:** Anti-abrasive synthetic rubber, resistant to oils, fuels and atmospheric conditions
- Fittings:**
  - Ferrule: No-skive Type DPF4T
  - Insert: DPX4XX (X: Can choose)
  - Certificate: MSHA & BV & GOST & IATF 16949 & ISO 9001 & ISO 14001 & ISO 45001 & DAKKS & SGS & MA & DEKRA Approved



- Working Pressure:** 165–445 Bar / 2392.5-6452.5 PSI
- Impulse times:** ≥ 400,000 Times
- Temperature:**
  - -50 °C to +100 °C (intermittent -55 °C or +120 °C)
  - 0 °C to +70 °C for water based fluids
  - 0 °C to +70 °C hot air
  - Prolonged operation at extreme temperatures will reduce hoses life
- Media:** Hydraulic fluids petroleum based (mineral oils), glycol-water based, water, lubricants

#	Hose Size		I.D.	R.O.D.	O.D.	Operating Pressure		Burst Pressure		Bend Radius	Weight	Length Per PCS	Ferrule	
Part Number	Dash Size	mm	inch	mm	mm	mm	bar	psi	bar	psi	mm	kgs/m	meter	DME Code
KON 211114-10	-06	9.5	3/8"	9.3-10.1	16.9-18.1	20.6-22.2	445	6452.5	1780	25810	180	0.700	20/40	DPF4T-06
KON 211114-12	-08	12.7	1/2"	12.3-13.5	19.4-21.0	23.8-25.4	415	6017.5	1660	24070	230	0.800	20/40	DPF4T-08
KON 211114-16	-10	16.0	5/8"	15.5-16.7	23.0-24.6	27.4-29.0	350	5075.0	1400	20300	250	0.975	20/40	DPF4T-10
KON 211114-19	-12	19.0	3/4"	18.6-19.8	27.4-29.0	31.4-33.0	350	5075.0	1400	20300	300	1.450	20/40	DPF4T-12
KON 211114-25	-16	25.4	1"	25.0-26.4	34.5-36.1	38.5-40.9	280	4060.0	1120	16240	340	2.050	20/40	DPF4T-16
KON 211114-32	-20	31.8	1-1/4"	31.4-33.0	45.0-47.0	49.2-52.4	210	3045.0	840	12180	460	3.060	20/40	DPF4T-20
KON 211114-38	-24	38.1	1-1/2"	37.7-39.3	51.4-53.4	55.6-58.8	185	2682.5	740	10730	560	3.650	20/40	DPF4T-24
KON 211114-51	-32	50.8	2"	50.4-52.0	64.3-66.3	68.2-71.4	165	2392.5	660	9570	660	4.850	20/40	DPF4T-32

Marking / Layline (Printing, Ink, Embossed)



- Cover Type:** Wrapped
- Packing Type:** Roll, Pallet, Reel
- Outward Appearance:** ● Black
- Certificate:** ISO 9001, ISO 14001, MSHA, DAKKS, DEKRA, DIN, SAE, MA, WSF

Powered by DME&JDE Group





# JET Washer Hose



Application



## 1W +135 °C



**Applicable Specs:**

- DIN EN 853 1SN
- EXCEEDS SAE 100RIAT
- ISO 1436:2009
- PN-EN ISO 8030 / PN-EN 13463
- PN-EN 1804-3+A1 / PN-EN ISO 4413
- ISO 6805 / EN 13463
- PN-G 32010



## 2W +135 °C



**Applicable Specs:**

- DIN EN 853 2SN
- EXCEEDS SAE 100R2AT
- ISO 1436:2009
- ISO 1307
- PN-EN ISO 8030 / PN-EN 13463
- PN-EN 1804-3+A1 / PN-EN ISO 4413
- ISO 6805 / EN 13463
- PN-G 32010



## 2SC +135 °C



**Applicable Specs:**

- DIN EN857 2SC
- EXCEEDS SAE 100R2AT
- ISO 1436:2009
- ISO 1307
- PN-EN ISO 8030 / PN-EN 13463
- PN-EN 1804-3+A1 / PN-EN ISO 4413
- ISO 6805 / EN 13463
- PN-G 32010



## JET 250/1S [+155 °C]



**Applicable Specs:**

- DIN EN 853 1SN
- EXCEEDS SAE 100RIAT
- ISO 1436:2009
- PN-EN ISO 8030 / PN-EN 13463
- PN-EN 1804-3+A1 / PN-EN ISO 4413
- ISO 6805 / EN 13463
- PN-G 32010



## Long Life 400/2S [+155 °C]



**Applicable Specs:**

- DIN EN 853 2SN
- EXCEEDS SAE 100R2AT
- ISO 1436:2009
- ISO 1307
- PN-EN ISO 8030 / PN-EN 13463
- PN-EN 1804-3+A1 / PN-EN ISO 4413
- ISO 6805 / EN 13463
- PN-G 32010



## Long Life Super 500 [+155 °C]



**Applicable Specs:**

- EN857 2SC
- EXCEEDS SAE 100R2AT
- ISO 1436:2009
- ISO 1307
- PN-EN ISO 8030 / PN-EN 13463
- PN-EN 1804-3+A1 / PN-EN ISO 4413
- ISO 6805 / EN 13463
- PN-G 32010



# 1W +135 °C Wire Braided Fluid Hose

Applicable Specs:

- DIN EN 853 1SN ■ EXCEEDS SAE 100R1AT ■ ISO 1436:2009 ■ PN-EN ISO 8030 / PN-EN 13463
- PN-EN 1804-3+A1 / PN-EN ISO 4413 ■ ISO 6805 / EN 13463 ■ PN-G 32010

Applications:



German Technology Equipment

Product Series:



-50 °C / +155 °C

**Internal hose:**  
Synthetic rubber, extruded whole without joints, of uniform thickness

**Reinforcement:**  
1 layer of steel wire braid

**Covering:**  
Anti-abrasive synthetic rubber, resistant to oils, fuels and atmospheric conditions

**Fittings:**  
Ferrule: No-skive Type DPF2T •  
Insert: DPX2XX or DPX1XX (X: Can choose) •  
Certificate: MSHA & BV & GOST & IATF 16949 & ISO 9001 & ISO 14001 & ISO 45001 & DAKKS & SGS & MA & DEKRA Approved



**Working Pressure:**  
40–250 Bar / 580–3625 PSI

**Impulse times:**  
≥ 150,000 Times

**Temperature:**  
• -40 °C to +120 °C (intermittent 135 °C)

**Media:**  
Mineral and biological oils, glycol-water based, water, lubricants

#	Hose Size		I.D.	R.O.D.	O.D.	Operating Pressure		Burst Pressure	Bend Radius	Weight	Length Per PCS	Ferrule		
	Dash Size	mm				inch	bar						psi	
KON 211101-06 135	-04	6.4	1/4"	6.2-7.0	11.0 MAX.	13.2 MAX.	250	3625	900	13050	50	1.190	50/100	DPF2T-04
KON 211101-08 135	-05	8.0	5/16"	7.7-8.5	13.0 MAX.	15.0 MAX.	220	3190	850	12325	55	0.200	50/100	DPF2T-05
KON 211101-10 135	-06	9.5	3/8"	9.3-10.1	15.0 MAX.	17.0 MAX.	220	3190	720	10440	65	0.260	50/100	DPF2T-06
KON 211101-12 135	-08	12.7	1/2"	12.3-13.5	18.8 MAX.	21.1 MAX.	220	3190	640	9280	90	0.390	50/100	DPF2T-08
KON 211101-16 135	-10	16.0	5/8"	15.5-16.7	20.6-22.2	24.5 MAX.	130	1885	520	7540	200	0.581	50/100	DPF2T-10
KON 211101-19 135	-12	19.0	3/4"	18.6-19.8	24.6-26.2	28.5 MAX.	105	1522.5	420	6090	240	0.690	50/100	DPF2T-12
KON 211101-25 135	-16	25.4	1"	25.0-26.4	32.5-34.1	36.6 MAX.	88	1276	352	5104	300	0.830	50/100	DPF2T-16
KON 211101-32 135	-20	31.8	1-1/4"	31.4-33.0	39.3-41.7	44.8 MAX.	63	913.5	252	3654	420	1.325	20/40	DPF2T-20
KON 211101-38 135	-24	38.1	1-1/2"	37.7-39.3	45.6-48.0	52.1 MAX.	50	725	200	2900	500	1.500	20/40	DPF2T-24
KON 211101-51 135	-32	50.8	2"	50.4-52.0	58.7-61.7	65.5 MAX.	40	580	160	2320	630	1.875	20/40	DPF2T-32

Marking / Layline (Printing, Ink, Embossed)



**Cover Type:** Wrapped, Smooth  
**Packing Type:** Roll, Pallet, Reel  
**Outward Appearance:** ● Black, ● Gray, ● Klein Blue



Powered by DME&JDE Group

# 2W +135 °C Wire Braided Fluid Hose

Applicable Specs:

- DIN EN 853 2SN ■ EXCEEDS SAE 100R2AT ■ ISO 1436:2009 ■ ISO 1307
- PN-EN ISO 8030 / PN-EN 13463 ■ PN-EN 1804-3+A1 / PN-EN ISO 4413 ■ ISO 6805 / EN 13463
- PN-G 32010

Applications:



German Technology Equipment

Product Series:



-50 °C / +155 °C

**Internal hose:**  
Synthetic rubber, extruded whole without joints, of uniform thickness

**Reinforcement:**  
2 layers of steel wire braid

**Covering:**  
Anti-abrasive synthetic rubber, resistant to oils, fuels and atmospheric conditions

**Fittings:**  
Ferrule: No-skive Type DPF2T •  
Insert: DPX2XX or DPX1XX (X: Can choose) •  
Certificate: MSHA & BV & GOST & IATF 16949 & ISO 9001 & ISO 14001 & ISO 45001 & DAKKS & SGS & MA & DEKRA Approved



**Working Pressure:**  
80–400 Bar / 1160–5800 PSI

**Impulse times:**  
≥ 200,000 Times

**Temperature:**  
• -40 °C to +120 °C (intermittent 135 °C)

**Media:**  
Mineral and biological oils, glycol-water based, water, lubricants

#	Hose Size		I.D.	R.O.D.	O.D.	Operating Pressure		Burst Pressure	Bend Radius	Weight	Length Per PCS	Ferrule		
	Dash Size	mm				inch	bar						psi	
KON 211102-06 135	-04	6.4	1/4"	6.2-7.0	10.6-11.6	15.7 MAX.	400	5800	1600	23200	100	0.372	50/100	DPF2T-04
KON 211102-08 135	-05	8.0	5/16"	7.7-8.5	12.1-13.3	17.3 MAX.	350	5075	1400	20300	115	0.430	50/100	DPF2T-05
KON 211102-10 135	-06	9.5	3/8"	9.3-10.1	14.5-15.7	19.7 MAX.	330	4785	1320	19140	130	0.560	50/100	DPF2T-06
KON 211102-12 135	-08	12.7	1/2"	12.3-13.5	17.5-19.1	23.0 MAX.	275	3987.5	1100	15950	180	0.640	50/100	DPF2T-08
KON 211102-16 135	-10	16.0	5/8"	15.5-16.7	20.6-22.2	26.2 MAX.	250	3625	1000	14500	200	0.732	50/100	DPF2T-10
KON 211102-19 135	-12	19.0	3/4"	18.6-19.8	24.6-26.2	30.1 MAX.	215	3117.5	860	12470	240	0.930	50/100	DPF2T-12
KON 211102-25 135	-16	25.4	1"	25.0-26.4	32.5-34.1	38.9 MAX.	165	2392.5	660	9570	300	1.360	50/100	DPF2T-16
KON 211102-32 135	-20	31.8	1-1/4"	31.4-33.0	39.3-41.7	49.5 MAX.	125	1812.5	500	7250	420	1.850	20/40	DPF2T-20
KON 211102-38 135	-24	38.1	1-1/2"	37.7-39.3	45.6-48.0	55.9 MAX.	90	1305	360	5220	500	2.300	20/40	DPF2T-24
KON 211102-51 135	-32	50.8	2"	50.4-52.0	58.7-61.7	68.6 MAX.	80	1160	320	4640	630	2.650	20/40	DPF2T-32

Marking / Layline (Printing, Ink, Embossed)



**Cover Type:** Wrapped, Smooth  
**Packing Type:** Roll, Pallet, Reel  
**Outward Appearance:** ● Black, ● Gray, ● Klein Blue



Powered by DME&JDE Group



## 2SC +135 °C Wire Braided Fluid Hose

Applicable Specs:

- DIN EN857 2SC ■ EXCEEDS SAE 100R2AT ■ ISO 1436:2009 ■ ISO 1307
- PN-EN ISO 8030 / PN-EN 13463 ■ PN-EN 1804-3+A1 / PN-EN ISO 4413 ■ ISO 6805 / EN 13463
- PN-G 32010

Applications:



German Technology Equipment

Product Series:



-50 °C / +155 °C

**Internal hose:**  
Synthetic rubber, extruded whole without joints, of uniform thickness

**Reinforcement:**

2 layers of steel wire braid

**Covering:**

Anti-abrasive synthetic rubber, resistant to oils, fuels and atmospheric conditions

**Fittings:**

- Ferrule: No-skive Type DPF2T
- Insert: DPX2XX or DPX1XX (X: Can choose)
- Certificate: MSHA & BV & GOST & IATF 16949 & ISO 9001 & ISO 14001 & ISO 45001 & DAKKS & SGS & MA & DEKRA Approved



**Working Pressure:**

165–400 Bar / 2392.5–5800 PSI

**Impulse times:**

≥ 200,000 Times

**Temperature:**

- -40 °C to +120 °C (intermittent 135 °C)

**Media:**

Mineral and biological oils, glycol-water based, water, lubricants

#	Hose Size		I.D.	R.O.D.	O.D.	Operating Pressure		Burst Pressure	Bend Radius	Weight	Length Per PCS	Ferrule		
Part Number	Dash Size	mm	inch	mm	mm	bar	psi	bar	psi	mm	kgs/m	meter	DME Code	
KON 211122-06 135	-04	6.4	1/4"	6.1-6.9	10.6-11.7	14.2 MAX.	400	5800	1600	23200	75	0.290	50/100	DPF2T-04
KON 211122-08 135	-05	8.0	5/16"	7.7-8.5	12.1-13.3	16.0 MAX.	350	5075	1400	20300	85	0.330	50/100	DPF2T-05
KON 211122-10 135	-06	9.5	3/8"	9.3-10.1	14.4-15.6	18.3 MAX.	330	4785	1320	19140	90	0.420	50/100	DPF2T-06
KON 211122-12 135	-08	12.7	1/2"	12.3-13.5	17.5-19.1	21.5 MAX.	275	3987.5	1100	15950	130	0.550	50/100	DPF2T-08
KON 211122-16 135	-10	16.0	5/8"	15.5-16.7	20.5-22.3	24.7 MAX.	250	3625	1000	14500	150	0.650	50/100	DPF2T-10
KON 211122-19 135	-12	19.0	3/4"	18.6-19.8	24.6-26.4	28.6 MAX.	215	3117.5	860	12470	180	0.790	50/100	DPF2T-12
KON 211122-25 135	-16	25.4	1"	25.0-26.4	32.5-34.3	36.6 MAX.	165	2392.5	660	9570	230	1.180	50/100	DPF2T-16

Marking / Layline (Printing, Ink, Embossed)



**Cover Type:**  
Wrapped, Smooth

**Packing Type:**  
Roll, Pallet, Reel

**Outward Appearance:**  
● Black, ● Gray, ● Klein Blue



Powered by DME&JDE Group

## JET 250 Wash+155 °C 1S Wire Braided Washing Hose

Applicable Specs:

- DIN EN 853 1SN ■ EXCEEDS SAE 100RIAT ■ ISO 1436:2009 ■ PN-EN ISO 8030 / PN-EN 13463
- PN-EN 1804-3+A1 / PN-EN ISO 4413 ■ ISO 6805 / EN 13463 ■ PN-G 32010

Applications:



German Technology Equipment

Product Series:



-50 °C / +155 °C

**Internal hose:**  
Synthetic rubber, extruded whole without joints, of uniform thickness

**Reinforcement:**

1 layer of steel wire braid

**Covering:**

Anti-abrasive synthetic rubber, resistant to oils, fuels and atmospheric conditions

**Fittings:**

- Ferrule: No-skive Type DPF2T
- Insert: DPX2XX or DPX1XX (X: Can choose)
- Certificate: MSHA & BV & GOST & IATF 16949 & ISO 9001 & ISO 14001 & ISO 45001 & DAKKS & SGS & MA & DEKRA Approved



**Working Pressure:**

40–250 Bar / 580–3625 PSI

**Impulse times:**

≥ 150,000 Times

**Temperature:**

- -40 °C to +120 °C (intermittent 135 °C)

**Media:**

Mineral and biological oils, glycol-water based, water, lubricants

#	Hose Size		I.D.	R.O.D.	O.D.	Operating Pressure		Burst Pressure	Bend Radius	Weight	Length Per PCS	Ferrule		
Part Number	Dash Size	mm	inch	mm	mm	mm	bar	psi	bar	psi	mm	kgs/m	meter	DME Code
KON 211101-06 155	-04	6.4	1/4"	6.2-7.0	11.0 MAX.	13.2 MAX.	250	3625	900	13050	50	1.190	50/100	DPF2T-04
KON 211101-08 155	-05	8.0	5/16"	7.7-8.5	13.0 MAX.	15.0 MAX.	220	3190	850	12325	55	0.200	50/100	DPF2T-05
KON 211101-10 155	-06	9.5	3/8"	9.3-10.1	15.0 MAX.	17.0 MAX.	220	3190	720	10440	65	0.260	50/100	DPF2T-06
KON 211101-12 155	-08	12.7	1/2"	12.3-13.5	18.8 MAX.	21.1 MAX.	220	3190	640	9280	90	0.390	50/100	DPF2T-08
KON 211101-16 155	-10	16.0	5/8"	15.5-16.7	20.6-22.2	24.5 MAX.	130	1885	520	7540	200	0.581	50/100	DPF2T-10
KON 211101-19 155	-12	19.0	3/4"	18.6-19.8	24.6-26.2	28.5 MAX.	105	1522.5	420	6090	240	0.690	50/100	DPF2T-12
KON 211101-25 155	-16	25.4	1"	25.0-26.4	32.5-34.1	36.6 MAX.	88	1276	352	5104	300	0.830	50/100	DPF2T-16
KON 211101-32 155	-20	31.8	1-1/4"	31.4-33.0	39.3-41.7	44.8 MAX.	63	913.5	252	3654	420	1.325	20/40	DPF2T-20
KON 211101-38 155	-24	38.1	1-1/2"	37.7-39.3	45.6-48.0	52.1 MAX.	50	725	200	2900	500	1.500	20/40	DPF2T-24
KON 211101-51 155	-32	50.8	2"	50.4-52.0	58.7-61.7	65.5 MAX.	40	580	160	2320	630	1.875	20/40	DPF2T-32

Marking / Layline (Printing, Ink, Embossed)



**Cover Type:**  
Wrapped, Smooth

**Packing Type:**  
Roll, Pallet, Reel

**Outward Appearance:**  
● Black, ● Gray, ● Klein Blue



Powered by DME&JDE Group

## Long Life 400 [+155 °C] 2S Wire Braided Washing Hose

Applicable Specs:

- DIN EN 853 2SN ■ EXCEEDS SAE 100R2AT ■ ISO 1436:2009 ■ ISO 1307
- PN-EN ISO 8030 / PN-EN 13463 ■ PN-EN 1804-3-A1 / PN-EN ISO 4413 ■ ISO 6805 / EN 13463
- PN-G 32010

Applications:



**German Technology Equipment**

Product Series:

-50 °C / +155 °C

- Internal hose:** Synthetic rubber, extruded whole without joints, of uniform thickness
- Reinforcement:** 2 layers of steel wire braid
- Covering:** Anti-abrasive synthetic rubber, resistant to oils, fuels and atmospheric conditions
- Fittings:**
  - Ferrule: No-skive Type DPF2T
  - Insert: DPX2XX or DPX1XX (X: Can choose)
  - Certificate: MSHA & BV & GOST & IATF 16949 & ISO 9001 & ISO 14001 & ISO 45001 & DAKKS & SGS & MA & DEKRA Approved



- Working Pressure:** 80–400 Bar / 1160–5800 PSI
- Impulse times:** ≥ 200,000 Times
- Temperature:**
  - -40 °C to +120 °C (intermittent 135 °C)
- Media:** Mineral and biological oils, glycol-water based, water, lubricants

#	Hose Size		I.D.	R.O.D.	O.D.	Operating Pressure		Burst Pressure		Bend Radius	Weight	Length Per PCS	Ferrule	
	Dash Size	mm				inch	bar	psi	bar					psi
KON 211102-06 155	-04	6.4	1/4"	6.2-7.0	10.6-11.6	15.7 MAX.	400	5800	1600	23200	100	0.372	50/100	DPF2T-04
KON 211102-08 155	-05	8.0	5/16"	7.7-8.5	12.1-13.3	17.3 MAX.	350	5075	1400	20300	115	0.430	50/100	DPF2T-05
KON 211102-10 155	-06	9.5	3/8"	9.3-10.1	14.5-15.7	19.7 MAX.	330	4785	1320	19140	130	0.560	50/100	DPF2T-06
KON 211102-12 155	-08	12.7	1/2"	12.3-13.5	17.5-19.1	23.0 MAX.	275	3987.5	1100	15950	180	0.640	50/100	DPF2T-08
KON 211102-16 155	-10	16.0	5/8"	15.5-16.7	20.6-22.2	26.2 MAX.	250	3625	1000	14500	200	0.732	50/100	DPF2T-10
KON 211102-19 155	-12	19.0	3/4"	18.6-19.8	24.6-26.2	30.1 MAX.	215	3117.5	860	12470	240	0.930	50/100	DPF2T-12
KON 211102-25 155	-16	25.4	1"	25.0-26.4	32.5-34.1	38.9 MAX.	165	2392.5	660	9570	300	1.360	50/100	DPF2T-16
KON 211102-32 155	-20	31.8	1-1/4"	31.4-33.0	39.3-41.7	49.5 MAX.	125	1812.5	500	7250	420	1.850	50/100	DPF2T-20
KON 211102-38 155	-24	38.1	1-1/2"	37.7-39.3	45.6-48.0	55.9 MAX.	90	1305	360	5220	500	2.300	50/100	DPF2T-24
KON 211102-51 155	-32	50.8	2"	50.4-52.0	58.7-61.7	68.6 MAX.	80	1160	320	4640	630	2.650	50/100	DPF2T-32

Marking / Layline (Printing, Ink, Embossed)

**Cover Type:** Wrapped, Smooth

**Packing Type:** Roll, Pallet, Reel

**Outward Appearance:** ● Black, ● Gray, ● Klein Blue

**Certificate:** ISO 9001, ISO 14001, MSHA, DAKKS, DEKRA, DIN, SAE, MA, WSF

Powered by DME&JDE Group

## Long Life Super 500 [+155 °C] Super 2S+ Wire Braided Washing Hose

Applicable Specs:

- EN857 2SC ■ EXCEEDS SAE 100R2AT ■ ISO 1436:2009 ■ ISO 1307
- PN-EN ISO 8030 / PN-EN 13463 ■ PN-EN 1804-3-A1 / PN-EN ISO 4413 ■ ISO 6805 / EN 13463
- PN-G 32010

Applications:



**German Technology Equipment**

Product Series:

-50 °C / +155 °C

- Internal hose:** Synthetic rubber, extruded whole without joints, of uniform thickness
- Reinforcement:** 2 layers of steel wire braid
- Covering:** Anti-abrasive synthetic rubber, resistant to oils, fuels and atmospheric conditions
- Fittings:**
  - Ferrule: No-skive Type DPF2T
  - Insert: DPX2XX or DPX1XX (X: Can choose)
  - Certificate: MSHA & BV & GOST & IATF 16949 & ISO 9001 & ISO 14001 & ISO 45001 & DAKKS & SGS & MA & DEKRA Approved



- Working Pressure:** 165–400 Bar / 2392.5–5800 PSI
- Impulse times:** ≥ 200,000 Times
- Temperature:**
  - -40 °C to +120 °C (intermittent 135 °C)
- Media:** Mineral and biological oils, glycol-water based, water, lubricants

#	Hose Size		I.D.	R.O.D.	O.D.	Operating Pressure		Burst Pressure		Bend Radius	Weight	Length Per PCS	Ferrule	
	Dash Size	mm				inch	bar	psi	bar					psi
KON 211122-06 155	-04	6.4	1/4"	6.1-6.9	10.6-11.7	14.2 MAX.	400	5800	1600	23200	75	0.290	50/100	DPF2T-04
KON 211122-08 155	-05	8.0	5/16"	7.7-8.5	12.1-13.3	16.0 MAX.	350	5075	1400	20300	85	0.330	50/100	DPF2T-05
KON 211122-10 155	-06	9.5	3/8"	9.3-10.1	14.4-15.6	18.3 MAX.	330	4785	1320	19140	90	0.420	50/100	DPF2T-06
KON 211122-12 155	-08	12.7	1/2"	12.3-13.5	17.5-19.1	21.5 MAX.	275	3987.5	1100	15950	130	0.550	50/100	DPF2T-08
KON 211122-16 155	-10	16.0	5/8"	15.5-16.7	20.5-22.3	24.7 MAX.	250	3625	1000	14500	150	0.650	50/100	DPF2T-10
KON 211122-19 155	-12	19.0	3/4"	18.6-19.8	24.6-26.4	28.6 MAX.	215	3117.5	860	12470	180	0.790	50/100	DPF2T-12
KON 211122-25 155	-16	25.4	1"	25.0-26.4	32.5-34.3	36.6 MAX.	165	2392.5	660	9570	230	1.180	50/100	DPF2T-16

Marking / Layline (Printing, Ink, Embossed)

**Cover Type:** Wrapped, Smooth

**Packing Type:** Roll, Pallet, Reel

**Outward Appearance:** ● Black, ● Gray, ● Klein Blue

**Certificate:** ISO 9001, ISO 14001, MSHA, DAKKS, DEKRA, DIN, SAE, MA, WSF

Powered by DME&JDE Group





# Fuel Hose



Application



**1SW EN 1360** 

Applicable Specs:  
 • EN 1360 1W STEEL WIRE • SAE J30



**2TW EN 1360** 

Applicable Specs:  
 • EN 1360 2TW • SAE J30 2T TEXTILE BRAID



**SAE J30 R2-Type-2** 

Applicable Specs:  
 • EN 1360 1W • SAE J30 R2-Type 2



**SAE J30 R2-Type-3** 

Applicable Specs:  
 • EN 1360 1W • SAE J30 R2-Type-3



**SAE J30 R6** 


Applicable Specs:  
 • EN 1360 1W • SAE J30 R2-Type-3




**LPG Hoses EN 1762** 

Applicable Specs:  
 • EN 1762: TYPE-D



**LPG Hoses IS 9573** 

Applicable Specs:  
 • ISO 9573:2012: TYPE-1



**1W EN 1360** 

Applicable Specs:  
 • EN 1360 1W • SAE J30 R2-Type-3



# 1SW EN 1360 Wire Braided Fuel Hose



Applicable Specs:

- EN 1360 1W STEEL WIRE
- SAE J30

Applications:



**German Technology Equipment**

Product Series:

New-Standard

- Internal hose:** Synthetic rubber resistant to petrol and diesel fuel, extruded whole without joints, of uniform thickness. Anti-static electricity: R < 1 MΩ
- Reinforcement:** 1 layer of steel wire braid
- Covering:** Anti-abrasive synthetic rubber, resistant to oils, fuels and atmospheric conditions. Anti-static electricity: R < 1 MΩ
- Fittings:** Ferrule: No-skive Type DPF2T • Insert: DPX1XX (X: Can choose)



- Working Pressure:** 20 Bar / 290 PSI
- Temperature:**
  - 40 °C to +100 °C
  - Prolonged operation at extreme temperatures will reduce hoses life
- Media:** Petrol and diesel fuel dispensing lines of pressure 290 PSI

#	Hose Size		I.D.	R.O.D.	O.D.	Operating Pressure		Burst Pressure		Bend Radius	Weight	Length Per PCS	Ferrule	
	Dash Size	mm				inch	bar	psi	bar					psi
JDE 421101-16	-10	16.0	5/8"	15.5-16.7	20.6-22.2	24.5 MAX.	20	290	80	1160	80	0.581	50/100	FUEL-10
JDE 421101-19	-12	19.0	3/4"	18.6-19.8	24.6-26.2	29.9 MAX.	20	290	80	1160	100	0.690	50/100	FUEL-12
JDE 421101-22	-13	22.0	7/8"	21.6-22.5	28±0.3	33.0 MAX.	20	290	80	1160	125	0.700	50/100	FUEL-13
JDE 421101-25	-16	25.4	1"	25.0-26.4	32.5-34.1	35.4 MAX.	20	290	80	1160	150	0.725	50/100	FUEL-16

Marking / Layline (Printing, Ink, Embossed)

**Cover Type:** Wrapped, Smooth

**Packing Type:** Roll, Pallet, Reel

**Outward Appearance:** ● Black, ● Red, ● Gray, ● Yellow, ● Green, ● Blue

**Certificate:** ISO 9001, ISO 45001, ISO 14001, MSHA, DAkkS, DEKRA, DIN, SAE, MA, WSF

# 2TW EN 1360 Textile Braided Fuel Hose



Applicable Specs:

- EN 1360 1W
- SAE J30 2T TEXTILE BRAID

Applications:



**Italy Technology Equipmen**

Product Series:

New-Standard

- Internal hose:** Synthetic rubber resistant to petrol and diesel fuel, extruded whole without joints, of uniform thickness. Anti-static electricity: R < 1 MΩ
- Reinforcement:** 2 layers of textile braid
- Covering:** Anti-abrasive synthetic rubber, resistant to oils, fuels and atmospheric conditions. Anti-static electricity: R < 1 MΩ
- Fittings:** Ferrule: No-skive Type DPF2T • Insert: DPX1XX (X: Can choose)



- Working Pressure:** 20 Bar / 290 PSI
- Temperature:**
  - 40 °C to +100 °C
  - Prolonged operation at extreme temperatures will reduce hoses life
- Media:** Petrol and diesel fuel dispensing lines of pressure 290 PSI

#	Hose Size		I.D.	R.O.D.	O.D.	Operating Pressure		Burst Pressure		Bend Radius	Weight	Length Per PCS	Ferrule	
	Dash Size	mm				inch	bar	psi	bar					psi
JDE 421102-12	-08	12.0	1/2"	12.3-13.5	-	22.23 MAX.	20	290	80	1160	60	0.390	50/100	FUEL-08
JDE 421102-16	-10	16.0	5/8"	15.5-16.7	-	24.5 MAX.	20	290	80	1160	80	0.400	50/100	FUEL-10
JDE 421102-19	-12	19.0	3/4"	18.6-19.8	-	29.9 MAX.	20	290	80	1160	100	0.450	50/100	FUEL-12
JDE 421102-22	-13	22.0	7/8"	21.6-22.5	-	33.0 MAX.	20	290	80	1160	125	0.570	50/100	FUEL-13
JDE 421102-25	-16	25.4	1"	25.0-26.4	-	35.4 MAX.	20	290	80	1160	150	0.590	50/100	FUEL-16

Marking / Layline (Printing, Ink, Embossed)

**Cover Type:** Wrapped, Smooth

**Packing Type:** Roll, Pallet, Reel

**Outward Appearance:** ● Black, ● Red, ● Gray, ● Yellow, ● Green, ● Blue

**Certificate:** ISO 9001, ISO 45001, ISO 14001, MSHA, DAkkS, DEKRA, DIN, SAE, MA, WSF



# SAE J30 R2-Type-2 Textile Braided Fluid Hose



Applicable Specs:  
 ■ EN 1360 1W ■ SAE J30 R2-Type 2

Applications:



Italy Technology Equipmen

Product Series:

New-Standard

**Internal hose:**  
 Synthetic rubber resistant to petrol and diesel fuel, extruded whole without joints, of uniform thickness. Anti-static electricity: R < 1 MΩ

**Reinforcement:**  
 2 layers of textile braid

**Covering:**  
 Anti-abrasive synthetic rubber, resistant to oils, fuels and atmospheric conditions. Anti-static electricity: R < 1 MΩ

**Fittings:**  
 Ferrule: No-skive Type DPF2T  
 Insert: DPX1XX (X: Can choose)

**Working Pressure:**  
 10 Bar / 145 PSI

**Temperature:**  
 • -40 °C to +100 °C  
 • Prolonged operation at extreme temperatures will reduce hoses life

**Media:**  
 Petrol and diesel fuel dispensing lines

#	Hose Size		I.D.	R.O.D.	O.D.	Operating Pressure		Burst Pressure		Bend Radius	Weight	Length Per PCS	Ferrule	
Part Number	Dash Size	mm	inch	mm	mm	bar	psi	bar	psi	mm	kgs/m	meter	DME Code	
JDE 821102-05	-03	5.0	3/16"	4.6-5.4	-	14.27 MAX.	10	145	40	580	50	0.135	50/100	FUEL-03
JDE 821102-06	-04	6.0	1/4"	6.2-7.0	-	15.88 MAX.	10	145	40	580	65	0.16	50/100	FUEL-04
JDE 821102-08	-05	8.0	5/16"	7.7-8.5	-	17.48 MAX.	10	145	40	580	75	0.19	50/100	FUEL-05
JDE 821102-10	-06	10.0	3/8"	9.3-10.1	-	19.05 MAX.	10	145	40	580	75	0.195	50/100	FUEL-06
JDE 821102-12	-08	12.0	1/2"	12.3-13.5	-	22.23 MAX.	10	145	40	580	100	0.33	50/100	FUEL-08
JDE 821102-16	-10	16.0	5/8"	15.5-16.7	-	24.5 MAX.	10	145	40	580	125	0.380	50/100	FUEL-10
JDE 821102-19	-12	19.0	3/4"	18.6-19.8	-	29.9 MAX.	10	145	40	580	150	0.470	50/100	FUEL-12

Marking / Layline (Printing, Ink, Embossed)

**Cover Type:** Wrapped, Smooth

**Packing Type:** Roll, Pallet, Reel

**Outward Appearance:**  
 ● Black, ● Red, ● Gray, ● Yellow, ● Green, ● Blue

Certificate: ISO 9001, ISO 45001, ISO 14001, MSHA, U.S. Department of Labor, DAkkS, DEKRA, DIN, SAE INTERNATIONAL, MA, WSF

Powered by DME&JDE Group

# SAE J30 R2-Type-3 Textile Braided Fluid Hose



Applicable Specs:  
 ■ EN 1360 1W ■ SAE J30 R2-Type-3

Applications:



Italy Technology Equipmen

Product Series:

New-Standard

**Internal hose:**  
 Synthetic rubber resistant to petrol and diesel fuel, extruded whole without joints, of uniform thickness. Anti-static electricity: R < 1 MΩ

**Reinforcement:**  
 1 layer of textile braid

**Covering:**  
 Anti-abrasive synthetic rubber, resistant to oils, fuels and atmospheric conditions. Anti-static electricity: R < 1 MΩ

**Fittings:**  
 Ferrule: No-skive Type DPF2T  
 Insert: DPX1XX (X: Can choose)

**Working Pressure:**  
 25-35 Bar / 362.5-507.5 PSI

**Temperature:**  
 • -40 °C to +100 °C  
 • Prolonged operation at extreme temperatures will reduce hoses life

**Media:**  
 Petrol and diesel fuel dispensing lines

#	Hose Size		I.D.	R.O.D.	O.D.	Operating Pressure		Burst Pressure		Bend Radius	Weight	Length Per PCS	Ferrule	
Part Number	Dash Size	mm	inch	mm	mm	bar	psi	bar	psi	mm	kgs/m	meter	DME Code	
JDE 821101-05	-03	5.0	3/16"	4.6-5.4	-	11.13 MAX.	35	507.5	140	2030	50	0.095	50/100	DPF2T-03
JDE 821101-06	-04	6.0	1/4"	6.2-7.0	-	12.70 MAX.	30	435	120	1740	65	0.130	50/100	DPF2T-04
JDE 821101-08	-05	8.0	5/16"	7.7-8.5	-	14.27 MAX.	30	435	120	1740	75	0.156	50/100	DPF2T-05
JDE 821101-10	-06	10.0	3/8"	9.3-10.1	-	15.88 MAX.	30	435	120	1740	75	0.183	50/100	DPF2T-06
JDE 821101-12	-08	12.0	1/2"	12.3-13.5	-	19.84 MAX.	30	435	120	1740	100	0.264	50/100	DPF2T-08
JDE 821101-16	-10	16.0	5/8"	15.5-16.7	-	23.01 MAX.	25	362.5	100	1450	125	0.302	50/100	DPF2T-10
JDE 821101-19	-12	19.0	3/4"	18.6-19.8	-	28.58 MAX.	25	362.5	100	1450	150	0.372	50/100	DPF2T-12

Marking / Layline (Printing, Ink, Embossed)

**Cover Type:** Wrapped, Smooth

**Packing Type:** Roll, Pallet, Reel

**Outward Appearance:**  
 ● Black, ● Red, ● Gray, ● Yellow, ● Green, ● Blue

Certificate: ISO 9001, ISO 45001, ISO 14001, MSHA, U.S. Department of Labor, DAkkS, DEKRA, DIN, SAE INTERNATIONAL, MA, WSF

Powered by DME&JDE Group

# SAE J30 R6 Textile Braided Fluid Hose



Applicable Specs:  
 ■ EN 1360 1W ■ SAE J30 R2-Type-3

Applications:



Italy Technology Equipmen

Product Series:



New-Standard

**Internal hose:**

Synthetic rubber resistant to petrol and diesel fuel, extruded whole without joints, of uniform thickness. Anti-static electricity: R < 1 MΩ

**Reinforcement:**

1 layer of textile braid

**Covering:**

Anti-abrasive synthetic rubber, resistant to oils, fuels and atmospheric conditions. Anti-static electricity: R < 1 MΩ

**Fittings:**

Ferrule: No-skive Type DPF2T  
 Insert: DPX1XX (X: Can choose)



**Working Pressure:**

2.75–8.6 Bar / 39.875–124.7 PSI

**Temperature:**

- 40 °C to +100 °C
- Prolonged operation at extreme temperatures will reduce hoses life

**Media:**

Petrol and diesel fuel dispensing lines

#	Hose Size		I.D.	R.O.D.	O.D.	Operating Pressure		Burst Pressure		Bend Radius	Weight	Length Per PCS	Ferrule	
	Dash Size	mm				inch	bar	psi	bar					psi
JDE 821106-05	-03	5.0	3/16"	4.6-5.4	-	11.9 MAX.	8.60	124.7	17.2	249.4	50	0.095	50	FUEL-03
JDE 821106-06	-04	6.0	1/4"	6.2-7.0	-	13.2 MAX.	8.60	124.7	17.2	249.4	65	0.130	50	FUEL-04
JDE 821106-08	-05	8.0	5/16"	7.7-8.5	-	14.8 MAX.	8.60	124.7	17.2	249.4	75	0.156	50	FUEL-05
JDE 821106-10	-06	10.0	3/8"	9.3-10.1	-	16.4 MAX.	6.00	87.0	12.0	174.0	75	0.183	50	FUEL-06
JDE 821106-12	-08	12.0	1/2"	12.3-13.5	-	24.6 MAX.	6.00	87.0	12.0	174.0	100	0.264	50	FUEL-08
JDE 821106-16	-10	16.0	5/8"	15.5-16.7	-	24.6 MAX.	6.00	87.0	12.0	174.0	125	0.302	50	FUEL-10
JDE 821106-19	-12	19.0	3/4"	18.6-19.8	-	29.3 MAX.	6.00	87.0	12.0	174.0	150	0.372	50	FUEL-12
JDE 821106-25	-16	25.4	1"	25.0-26.4	-	36.5 MAX.	6.00	87.0	12.0	174.0	190	0.830	50	FUEL-16

Marking / Layline (Printing, Ink, Embossed)



- Cover Type: Wrapped, Smooth
- Packing Type: Roll, Pallet, Reel
- Outward Appearance: ● Black, ● Red, ● Gray, ● Yellow, ● Green, ● Blue



Powered by DME&JDE Group

# LPG Hoses EN 1762 Wire Braided LPG Hose



Applicable Specs:  
 ■ EN 1762: TYPE-D

Applications:



German Technology Equipment

Product Series:



New-Standard

**Internal hose:**

Synthetic rubber, extruded whole without joints, of uniform thickness

**Reinforcement:**

1 layer of steel wire braid

**Covering:**

Anti-abrasive synthetic rubber, resistant to oils, fuels and atmospheric conditions

**Fittings:**

Ferrule: LPG-XX  
 Insert: DPX1XX (X: Can choose)  
 Certificate: MSHA & BV & GOST & IATF 16949 & ISO 9001 & ISO 14001 & ISO 45001 & DAKKS & SGS & MA & DEKRA Approved



**Working Pressure:**

25 Bar / 362.5 PSI

**Temperature:**

- 40 °C to +100 °C (intermittent 120 °C)
- 40 °C to +70 °C for water based fluids
- 0 °C to +70 °C hot air
- Prolonged operation at extreme temperatures will reduce hoses life

**Media:**

Mineral and biological oils, glycol-water based, water, lubricants

#	Hose Size		I.D.	R.O.D.	O.D.	Operating Pressure		Burst Pressure		Bend Radius	Weight	Length Per PCS	Ferrule	
	Dash Size	mm				inch	bar	psi	bar					psi
JDE 421105-10	-06	9.5	3/8"	9.3-10.1	-	18.8 MAX.	25	362.5	100	1450	90	0.390	50/100	LPG-06
JDE 421105-12	-08	12.7	1/2"	12.3-13.5	-	22.7 MAX.	25	362.5	100	1450	100	0.472	50/100	LPG-08
JDE 421105-16	-10	16.0	5/8"	15.5-16.7	-	25.9 MAX.	25	362.5	100	1450	125	0.581	50/100	LPG-10
JDE 421105-19	-12	19.0	3/4"	18.6-19.8	-	31.0 MAX.	25	362.5	100	1450	160	0.690	50/100	LPG-12
JDE 421105-25	-16	25.4	1"	25.0-26.4	-	38.0 MAX.	25	362.5	100	1450	200	0.830	50/100	LPG-16
JDE 421105-32	-20	31.8	1-1/4"	31.4-33.0	-	45.0 MAX.	25	362.5	100	1450	250	1.325	20/40	LPG-20
JDE 421105-38	-24	38.1	1-1/2"	37.7-39.3	-	52.1 MAX.	25	362.5	100	1450	320	1.500	20/40	LPG-24
JDE 421105-51	-32	50.8	2"	50.4-52.0	-	66.0 MAX.	25	362.5	100	1450	400	1.875	20/40	LPG-32

Marking / Layline (Printing, Ink, Embossed)



- Cover Type: Wrapped, Smooth
- Packing Type: Roll, Pallet, Reel
- Outward Appearance: ● Black



Powered by DME&JDE Group



# LPG Hoses IS 9573 Textile Braided Fluid Hose



Applicable Specs:  
■ IS 9573:2012: TYPE-1

Applications:



**German Technology Equipment**

Product Series:

New-Standard

**Internal hose:**  
Synthetic rubber, extruded whole without joints, of uniform thickness

**Reinforcement:**  
1 layer of textile braid

**Covering:**  
Anti-abrasive synthetic rubber, resistant to oils, fuels and atmospheric conditions

**Fittings:**  
Ferrule: LPG-XX  
Insert: DPX1XX (X: Can choose)  
Certificate: MSHA & BV & GOST & IATF 16949 & ISO 9001 & ISO 14001 & ISO 45001 & DAKKS & SGS & MA & DEKRA Approved

**Working Pressure:**  
25 Bar / 362.5 PSI

**Temperature:**  
• -40 °C to +100 °C (intermittent 120 °C)  
• -40 °C to +70 °C for water based fluids  
• 0 °C to +70 °C hot air  
• Prolonged operation at extreme temperatures will reduce hoses life

**Media:**  
Mineral and biological oils, glycol-water based, water, lubricants

#	Hose Size		I.D.	R.O.D.	O.D.	Operating Pressure		Burst Pressure		Bend Radius	Weight	Length Per PCS	Ferrule	
	Dash Size	mm				inch	bar	psi	bar					psi
JDE 421106-06	-04	6.5	1/4"	6.5	-	12.7	25	362.5	100	1450	70	0.170	50/100	LPG-04
JDE 421106-08	-05	8.3	5/16"	8.3	-	14.9	25	362.5	100	1450	95	0.190	50/100	LPG-05
JDE 421106-10	-06	9.5	3/8"	10.7	-	17.3	25	362.5	100	1450	120	0.250	50/100	LPG-06
JDE 421106-12	-08	12.7	1/2'	13.2	-	22.7	25	362.5	100	1450	150	0.410	50/100	LPG-08
JDE 421106-16	-10	16.0	5/8"	16.4	-	25.9	25	362.5	100	1450	185	0.490	50/100	LPG-10
JDE 421106-19	-12	19.0	3/4"	19.2	-	28.7	25	362.5	100	1450	225	0.550	50/100	LPG-12
JDE 421106-25	-16	25.4	1"	25.5	-	38.0	25	362.5	100	1450	300	0.930	50/100	LPG-16

Marking / Layline (Printing, Ink, Embossed)

Cover Type: Wrapped, Smooth

Packing Type: Roll, Pallet, Reel

Outward Appearance: ● Black

Certificate: ISO 9001, ISO 45001, ISO 14001, MSHA, DAKKS, DEKRA, DIN, SAE, MA, WSF

Powered by DME&JDE Group

# CNG Hose Textile Braided Fluid Hose



Applicable Specs:  
■ EN 1360 1W ■ SAE J30 R2-Type-3

Applications:



**Italy Technology Equipment**

Product Series:

New-Standard

**Internal hose:**  
Synthetic rubber resistant to oil and fuel

**Reinforcement:**  
1 layer of textile braid

**Covering:**  
Anti-abrasive synthetic rubber, resistant to oils, fuels and atmospheric conditions. Anti-static electricity: R < 1 MΩ

**Fittings:**  
Ferrule: No-skive Type CNG-XX  
Insert: DPX1XX (X: Can choose)

**Working Pressure:**  
5 Bar / 72.5 PSI

**Temperature:**  
• -40 °C to +100 °C  
• Prolonged operation at extreme temperatures will reduce hoses life

**Media:**  
Designed for use in motor vehicles with CNG installations

#	Hose Size		I.D.	R.O.D.	O.D.	Operating Pressure		Burst Pressure		Bend Radius	Weight	Length Per PCS	Ferrule	
	Dash Size	mm				inch	mm	mm	mm					bar
JDE 421107-05	-03	5.0	3/16"	4.6-5.4	-	10.30	5	72.5	20	290	50	0.095	50/100	CNG-03
JDE 421107-06	-04	6.0	1/4"	6.2-7.0	-	12.70	5	72.5	20	290	65	0.130	50/100	CNG-04
JDE 421107-08	-05	8.0	5/16"	7.7-8.5	-	14.30	5	72.5	20	290	75	0.156	50/100	CNG-05
JDE 421107-10	-06	10.0	3/8"	9.3-10.1	-	15.90	5	72.5	20	290	75	0.183	50/100	CNG-06
JDE 421107-12	-08	12.0	1/2"	12.3-13.5	-	19.80	5	72.5	20	290	100	0.264	50/100	CNG-08
JDE 421107-16	-10	16.0	5/8"	15.5-16.7	-	23.80	5	72.5	20	290	125	0.302	50/100	CNG-10
JDE 421107-19	-12	19.0	3/4"	18.6-19.8	-	28.60	5	72.5	20	290	150	0.372	50/100	CNG-12
JDE 421107-25	-16	25.0	1"	25.0-26.4	-	34.90	5	72.5	20	290	200	0.550	50/100	CNG-16

Marking / Layline (Printing, Ink, Embossed)

Cover Type: Wrapped, Smooth

Packing Type: Roll, Pallet, Reel

Outward Appearance: ● Black, ● Red, ● Gray, ● Yellow, ● Green, ● Blue

Certificate: ISO 9001, ISO 45001, ISO 14001, MSHA, DAKKS, DEKRA, DIN, SAE, MA, WSF

Powered by DME&JDE Group



# Industrial Hose



## Application



### Steam Hose 1SW



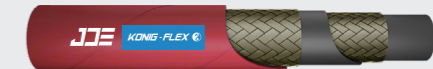
**Applicable Specs:**  
 • BS 5342 Type-2 • EXCEEDS IS 10655



### Steam Hose 2SW



**Applicable Specs:**  
 • BS 5342 Type • EXCEEDS IS 1065 • ISO 6134 Type2



### Steam Hose 1TB



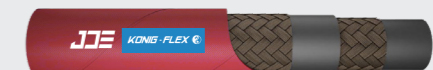
**Applicable Specs:**  
 • STEAM HOSE 1TB



### Steam Hose 2TB



**Applicable Specs:**  
 • STEAM HOSE 2TB



### Oil Hose 1TB



**Applicable Specs:**  
 • OIL HOSE 1TB



### Oil Hose 2TB



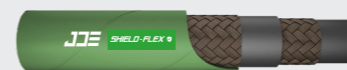
**Applicable Specs:**  
 • OIL HOSE 2TB



### Oil Hose 2TB Green



**Applicable Specs:**  
 • OIL HOSE 2TB



### Air & Water Hose – Black



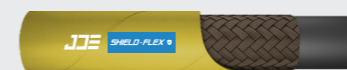
**Applicable Specs:**  
 • EXCEEDS ISO 1402 Type A



### Air & Water Hose – Yellow



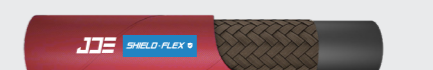
**Applicable Specs:**  
 • EXCEEDS ISO 1402 Type A



### Air & Water Hose – Red



**Applicable Specs:**  
 • EXCEEDS ISO 1402 Type A



### SAE J30 R6



**Applicable Specs:**  
 • EN 1360 1W • SAE J30 R2-Type-3



### SAE J20 R3 Heater Hose



**Applicable Specs:**  
 • SAE J20 • SAE J20 R3 • SAE 20 R3  
 • SAE J2065 • ISO/TS 16949:2009





# Steam Hose 1SW/B Wire Braided Fluid Hose



Applicable Specs:  
 ■ BS 5342 Type-2 ■ EXCEEDS IS 10655



German Technology Equipment

Product Series:

-40 °C / +210 °C

- Internal hose:**  
Black colour, EPDM rubber resistant to saturated steam
- Reinforcement:**  
1 layer of steel wire braid
- Covering:**  
Red colour, EPDM resistant to ozone and weather
- Fittings:**  
 Ferrule: No-skive Type DPF2T •  
 Insert: DPX2XX (X: Can choose) •  
 Certificate: MSHA & BV & GOST & IATF 16949 & ISO 9001 & ISO 14001 & ISO 45001 & DAKKS & SGS & MA & DEKRA Approved



- Working Pressure:**  
20 Bar / 290 PSI
- Temperature:**
  - High Temperature steam lines up to +210 °C (intermittent +230 °C)
  - High Temperature transport liquid, -40 °C to +135 °C (intermittent 155 °C)
  - Prolonged operation at extreme temperatures will reduce hoses life
- Media:**  
Water, Heated steam

#	Hose Size			I.D.	R.O.D.	O.D.	Operating Pressure		Burst Pressure		Bend Radius	Weight	Length Per PCS	Ferrule
Part Number	Dash Size	mm	inch	mm	mm	mm	bar	psi	bar	psi	mm	kgs/m	meter	DME Code
KON 713101-10	-06	9.5	3/8"	9.3-10.1	14.5-15.7	18.1 MAX.	20	290	80	1160	130	0.390	50/100	DPF2T-06
KON 713101-12	-08	12.7	1/2"	12.3-13.5	17.5-19.1	21.4 MAX.	20	290	80	1160	180	0.472	50/100	DPF2T-08
KON 713101-16	-10	16.0	5/8"	15.5-16.7	20.6-22.2	24.5 MAX.	20	290	80	1160	200	0.581	50/100	DPF2T-10
KON 713101-19	-12	19.0	3/4"	18.6-19.8	24.6-26.2	28.5 MAX.	20	290	80	1160	240	0.690	50/100	DPF2T-12
KON 713101-25	-16	25.4	1"	25.0-26.4	32.5-34.1	36.6 MAX.	20	290	80	1160	300	0.830	50/100	DPF2T-16
KON 713101-32	-20	31.8	1-1/4"	31.4-33.0	39.3-41.7	44.8 MAX.	20	290	80	1160	420	1.325	20/40	DPF2T-20
KON 713101-38	-24	38.1	1-1/2"	37.7-39.3	45.6-48.0	52.1 MAX.	20	290	80	1160	500	1.500	20/40	DPF2T-24
KON 713101-51	-32	50.8	2"	50.4-52.0	58.7-61.7	65.5 MAX.	20	290	80	1160	630	1.875	20/40	DPF2T-32

Marking / Layline (Printing, Ink, Embossed)



- Cover Type:** Wrapped, Smooth
  - Packing Type:** Roll, Pallet, Reel
  - Outward Appearance:** Red
- Certificate: ISO 9001, ISO 14001, MSHA, DAKKS, DEKRA, DIN, SAE, MA, WSF

Powered by DME&JDE Group

# Steam Hose 2SW/B Wire Braided Fluid Hose



Applicable Specs:  
 ■ BS 5342 Type-2 ■ EXCEEDS IS 10655 ■ ISO 6134 Type2



German Technology Equipment

Product Series:

-40 °C / +210 °C

- Internal hose:**  
Black colour, EPDM rubber resistant to saturated steam
- Reinforcement:**  
2 layers of steel wire braid
- Covering:**  
Red colour, EPDM resistant to ozone and weather
- Fittings:**  
 Ferrule: No-skive Type DPF2T •  
 Insert: DPX2XX (X: Can choose) •  
 Certificate: MSHA & BV & GOST & IATF 16949 & ISO 9001 & ISO 14001 & ISO 45001 & DAKKS & SGS & MA & DEKRA Approved



- Working Pressure:**  
20 Bar / 290 PSI
- Temperature:**
  - High Temperature steam lines up to +210 °C (intermittent +230 °C)
  - High Temperature transport liquid, -40 °C to +135 °C (intermittent 155 °C)
  - Prolonged operation at extreme temperatures will reduce hoses life
- Media:**  
Water, Heated steam

#	Hose Size			I.D.	R.O.D.	O.D.	Operating Pressure		Burst Pressure		Bend Radius	Weight	Length Per PCS	Ferrule
Part Number	Dash Size	mm	inch	mm	mm	mm	bar	psi	bar	psi	mm	kgs/m	meter	DME Code
KON 713102-10	-06	9.5	3/8"	9.3-10.1	14.5-15.7	19.7 MAX.	20	290	80	1160	130	0.560	50/100	DPF2T-06
KON 713102-12	-08	12.7	1/2"	12.3-13.5	17.5-19.1	23.0 MAX.	20	290	80	1160	180	0.640	50/100	DPF2T-08
KON 713102-16	-10	16.0	5/8"	15.5-16.7	20.6-22.2	26.2 MAX.	20	290	80	1160	200	0.732	50/100	DPF2T-10
KON 713102-19	-12	19.0	3/4"	18.6-19.8	24.6-26.2	30.1 MAX.	20	290	80	1160	240	0.930	50/100	DPF2T-12
KON 713102-25	-16	25.4	1"	25.0-26.4	32.5-34.1	38.9 MAX.	20	290	80	1160	300	1.360	50/100	DPF2T-16

Marking / Layline (Printing, Ink, Embossed)



- Cover Type:** Wrapped, Smooth
  - Packing Type:** Roll, Pallet, Reel
  - Outward Appearance:** Red
- Certificate: ISO 9001, ISO 14001, MSHA, DAKKS, DEKRA, DIN, SAE, MA, WSF

Powered by DME&JDE Group

# Steam Hose 1TB Textile Braided Fluid Hose



Applicable Specs:  
■ STEAM HOSE 1TB

Applications:



Italy Technology Equipment

Product Series:

-40 °C / +210 °C

- Internal hose:**  
Black colour, EPDM rubber resistant to saturated steam
- Reinforcement:**  
1 layer of textile/cotton fiber braid
- Covering:**  
Red colour, EPDM resistant to ozone and weather
- Fittings:**  
Ferrule: No-skive Type DPF2T •  
Insert: DPX2XX (X: Can choose) •  
Certificate: MSHA & BV & GOST & IATF 16949 & ISO 9001 & ISO 14001 & ISO 45001 & DAKKS & SGS & MA & DEKRA Approved



- Working Pressure:**  
12-35 Bar/174-507.5 PSI
- Temperature:**
  - High Temperature steam lines up to +210 °C (intermittent +230 °C)
  - High Temperature transport liquid, -40 °C to +135 °C (intermittent 155 °C)
  - Prolonged operation at extreme temperatures will reduce hoses life
- Media:**  
Water, Heated steam

#	Hose Size		I.D.	R.O.D.	O.D.	Operating Pressure		Burst Pressure		Bend Radius	Weight	Length Per PCS	Ferrule	
Part Number	Dash Size	mm	inch	mm	mm	bar	psi	bar	psi	mm	kgs/m	meter	DME Code	
KON 713101-05 1TB	-03	4.8	3/16"	4.4-5.2	-	10.0-11.6	35	507.5	140	2030	50	0.100	50/100	PUSH-ON-R6/1TE-03
KON 713101-06 1TB	-04	6.4	1/4"	5.9-6.9	-	11.6-13.2	28	406	112	1624	65	0.110	50/100	PUSH-ON-R6/1TE-04
KON 713101-08 1TB	-05	8.0	5/16"	7.4-8.4	-	13.1-14.7	28	406	112	1624	75	0.130	50/100	PUSH-ON-R6/1TE-05
KON 713101-10 1TB	-06	9.5	3/8"	9.0-10.0	-	14.7-16.3	28	406	112	1624	75	0.160	50/100	PUSH-ON-R6/1TE-06
KON 713101-12 1TB	-08	12.7	1/2"	12.1-13.3	-	17.7-19.7	28	406	112	1624	100	0.220	50/100	PUSH-ON-R6/1TE-08
KON 713101-16 1TB	-10	16.0	5/8"	15.3-16.5	-	21.9-23.9	24	348	96	1392	125	0.270	50/100	PUSH-ON-R6/1TE-10
KON 713101-19 1TB	-12	19.0	3/4"	18.2-19.8	-	25.4-27.8	21	304.5	84	1218	150	0.330	50/100	PUSH-ON-R6/1TE-12
KON 713101-25 1TB	-16	25.4	1"	24.6-26.2	-	32.2-34.6	12	174	48	696	155	0.500	50/100	PUSH-ON-R6/1TE-16

Marking / Layline (Printing, Ink, Embossed)



- Cover Type:** Wrapped, Smooth
  - Packing Type:** Roll, Pallet, Reel
  - Outward Appearance:** Red, Black, Green, Blue
- Certificate: ISO 9001, ISO 14001, MSHA, DAKKS, DEKRA, DIN, SAE, MA, WSF

Powered by DME&JDE Group

# Steam Hose 2TB Textile Braided Fluid Hose



Applicable Specs:  
■ STEAM HOSE 2TB

Applications:



Italy Technology Equipment

Product Series:

-40 °C / +210 °C

- Internal hose:**  
Black colour, EPDM rubber resistant to saturated steam
- Reinforcement:**  
2 layers of textile/cotton fiber braid
- Covering:**  
Red colour, EPDM resistant to ozone and weather
- Fittings:**  
Ferrule: No-skive Type DPF2T •  
Insert: DPX2XX (X: Can choose) •  
Certificate: MSHA & BV & GOST & IATF 16949 & ISO 9001 & ISO 14001 & ISO 45001 & DAKKS & SGS & MA & DEKRA Approved



- Working Pressure:**  
20 Bar / 290 PSI
- Temperature:**
  - High Temperature steam lines up to +210 °C (intermittent +230 °C)
  - High Temperature transport liquid, -40 °C to +135 °C (intermittent 155 °C)
  - Prolonged operation at extreme temperatures will reduce hoses life
- Media:**  
Water, Heated steam

#	Hose Size		I.D.	R.O.D.	O.D.	Operating Pressure		Burst Pressure		Bend Radius	Weight	Length Per PCS	Ferrule	
Part Number	Dash Size	mm	inch	mm	mm	bar	psi	bar	psi	mm	kgs/m	meter	DME Code	
KON 713102-08 2TB	-05	8.0	5/16"	7.6-8.5	-	16.7-18.3	20	290	80	1160	100	0.280	50/100	PUSH-ON-R3-05
KON 713102-10 2TB	-06	9.5	3/8"	9.2-10.1	-	18.3-19.8	20	290	80	1160	100	0.300	50/100	PUSH-ON-R3-06
KON 713102-12 2TB	-08	12.7	1/2"	12.4-13.5	-	23.0-24.6	20	290	80	1160	125	0.420	50/100	PUSH-ON-R3-08
KON 713102-16 2TB	-10	16.0	5/8"	15.6-16.7	-	26.2-27.8	20	290	80	1160	140	0.470	50/100	PUSH-ON-R3-10
KON 713102-19 2TB	-12	19.0	3/4"	18.7-19.8	-	31.0-32.5	20	290	80	1160	150	0.680	50/100	PUSH-ON-R3-12
KON 713102-25 2TB	-16	25.4	1"	25.1-26.2	-	36.9-39.3	20	290	80	1160	205	0.900	50/100	PUSH-ON-R3-16

Marking / Layline (Printing, Ink, Embossed)



- Cover Type:** Wrapped, Smooth
  - Packing Type:** Roll, Pallet, Reel
  - Outward Appearance:** Red
- Certificate: ISO 9001, ISO 14001, MSHA, DAKKS, DEKRA, DIN, SAE, MA, WSF

Powered by DME&JDE Group



# Oil Hose 1TB Textile Braided Fluid Hose



Applicable Specs:  
■ OIL HOSE 1TB

Applications:



Italy Technology Equipment

Product Series:



New-Standard

**Internal hose:**  
Synthetic rubber, extruded whole without joints, of uniform thickness

**Reinforcement:**  
1 layer of textile braid

**Covering:**  
Anti-abrasive synthetic rubber, resistant to oils, fuels and atmospheric conditions

**Fittings:**  
Ferrule: No-skive Type PUSH-ON-R6/1TE  
Insert: PUSH-ON-R6/1TE (X: Can choose)  
Certificate: MSHA & BV & GOST & IATF 16949 & ISO 9001 & ISO 14001 & ISO 45001 & DAKKS & SGS & MA & DEKRA Approved



**Working Pressure:**  
12–20 Bar / 174–290 PSI

**Temperature:**  
• -40 °C to +100 °C (intermittent 120 °C)  
• -40 °C to +70 °C for water based fluids  
• 0 °C to +70 °C hot air  
• Prolonged operation at extreme temperatures will reduce hoses life

**Media:**  
Hose designed for oil delivery

#	Hose Size		I.D.	R.O.D.	O.D.	Operating Pressure		Burst Pressure		Bend Radius	Weight	Length Per PCS	Ferrule	
Part Number	Dash Size	mm	inch	mm	mm	mm	bar	psi	bar	psi	mm	kgs/m	meter	DME Code
JDE 711106-05	-03	4.8	3/16"	4.4-5.2	/	10.0-11.6	20	290	80	1160	50	0.100	50/100	PUSH-ON-R6/1TE-03
JDE 711106-06	-04	6.4	1/4"	5.9-6.9	/	11.6-13.2	20	290	80	1160	65	0.110	50/100	PUSH-ON-R6/1TE-04
JDE 711106-08	-05	8.0	5/16"	7.4-8.4	/	13.1-14.7	20	290	80	1160	75	0.130	50/100	PUSH-ON-R6/1TE-05
JDE 711106-10	-06	9.5	3/8"	9.0-10.0	/	14.7-16.3	20	290	80	1160	75	0.160	50/100	PUSH-ON-R6/1TE-06
JDE 711106-12	-08	12.7	1/2"	12.1-13.3	/	17.7-19.7	20	290	80	1160	100	0.220	50/100	PUSH-ON-R6/1TE-08
JDE 711106-16	-10	16.0	5/8"	15.3-16.5	/	21.9-23.9	20	290	80	1160	125	0.270	50/100	PUSH-ON-R6/1TE-10
JDE 711106-19	-12	19.0	3/4"	18.2-19.8	/	25.4-27.8	20	290	80	1160	150	0.330	50/100	PUSH-ON-R6/1TE-12
JDE 711106-25	-16	25.4	1"	24.6-26.2	/	32.2-34.6	12	174	48	696	155	0.500	50/100	PUSH-ON-R6/1TE-16

Marking / Layline (Printing, Ink, Embossed)



**Cover Type:** Wrapped, Smooth  
**Packing Type:** Roll, Pallet, Reel  
**Outward Appearance:** ● Black, ● Red, ● Green, ● Blue



Powered by DME&JDE Group

# Oil Hose 2TB Textile Braided Fluid Hose



Applicable Specs:  
■ OIL HOSE 2TB

Applications:



Italy Technology Equipment

Product Series:



New-Standard

**Internal hose:**  
Synthetic rubber, extruded whole without joints, of uniform thickness

**Reinforcement:**  
2 layers of textile braid

**Covering:**  
Anti-abrasive synthetic rubber, resistant to oils, fuels and atmospheric conditions

**Fittings:**  
Ferrule: No-skive Type PUSH-ON-R3  
Insert: PUSH-ON-R3 (X: Can choose)  
Certificate: MSHA & BV & GOST & IATF 16949 & ISO 9001 & ISO 14001 & ISO 45001 & DAKKS & SGS & MA & DEKRA Approved



**Working Pressure:**  
20 Bar / 290 PSI

**Temperature:**  
• -40 °C to +100 °C (intermittent 120 °C)  
• -40 °C to +70 °C for water based fluids  
• 0 °C to +70 °C hot air  
• Prolonged operation at extreme temperatures will reduce hoses life

**Media:**  
Hose designed for oil delivery

#	Hose Size		I.D.	R.O.D.	O.D.	Operating Pressure		Burst Pressure		Bend Radius	Weight	Length Per PCS	Ferrule	
Part Number	Dash Size	mm	inch	mm	mm	mm	bar	psi	bar	psi	mm	kgs/m	meter	DME Code
JDE 711103-05	-03	4.8	3/16"	4.5-5.4	-	11.9-13.5	20	290	80	1160	75	0.130	50/100	PUSH-ON-R3-03
JDE 711103-06	-04	6.4	1/4"	6.1-7.0	-	13.5-15.1	20	290	80	1160	75	0.180	50/100	PUSH-ON-R3-04
JDE 711103-08	-05	8.0	5/16"	7.6-8.5	-	16.7-18.3	20	290	80	1160	100	0.280	50/100	PUSH-ON-R3-05
JDE 711103-10	-06	9.5	3/8"	9.2-10.1	-	18.3-19.8	20	290	80	1160	100	0.300	50/100	PUSH-ON-R3-06
JDE 711103-12	-08	12.7	1/2"	12.4-13.5	-	23.0-24.6	20	290	80	1160	125	0.420	50/100	PUSH-ON-R3-08
JDE 711103-16	-10	16.0	5/8"	15.6-16.7	-	26.2-27.8	20	290	80	1160	140	0.470	50/100	PUSH-ON-R3-10
JDE 711103-19	-12	19.0	3/4"	18.7-19.8	-	31.0-32.5	20	290	80	1160	150	0.680	50/100	PUSH-ON-R3-12
JDE 711103-25	-16	25.4	1"	25.1-26.2	-	36.9-39.3	20	290	80	1160	205	0.900	50/100	PUSH-ON-R3-16

Marking / Layline (Printing, Ink, Embossed)



**Cover Type:** Wrapped  
**Packing Type:** Roll, Pallet, Reel  
**Outward Appearance:** ● Black, ● Red, ● Green, ● Blue



Powered by DME&JDE Group

# Oil Hose 2TB Green Textile Braided Fluid Hose



Applicable Specs:  
■ OIL HOSE 2TB

Applications:



Italy Technology Equipment

Product Series:



New-Standard

**Internal hose:**  
Synthetic rubber, extruded whole without joints, of uniform thickness

**Reinforcement:**  
2 layers of textile braid

**Covering:**  
Anti-abrasive synthetic rubber, resistant to oils, fuels and atmospheric conditions

**Fittings:**  
Ferrule: No-skive Type PUSH-ON-R3 •  
Insert: PUSH-ON-R3 (X: Can choose) •  
Certificate: MSHA & BV & GOST & IATF 16949 & ISO 9001 & ISO 14001 & ISO 45001 & DAKKS & SGS & MA & DEKRA Approved

**Working Pressure:**  
20 Bar / 290 PSI

**Temperature:**  
• -40 °C to +100 °C (intermittent 120 °C)  
• -40 °C to +70 °C for water based fluids  
• 0 °C to +70 °C hot air  
• Prolonged operation at extreme temperatures will reduce hoses life

**Media:**  
Hose designed for oil delivery

#	Hose Size		I.D.	R.O.D.	O.D.	Operating Pressure		Burst Pressure		Bend Radius	Weight	Length Per PCS	Ferrule	
Part Number	Dash Size	mm	inch	mm	mm	bar	psi	bar	psi	mm	kgs/m	meter	DME Code	
JDE 715103-05	-03	4.8	3/16"	4.5-5.4	-	11.9-13.5	20	290	80	1160	75	0.130	50/100	PUSH-ON-R3-03
JDE 715103-06	-04	6.4	1/4"	6.1-7.0	-	13.5-15.1	20	290	80	1160	75	0.180	50/100	PUSH-ON-R3-04
JDE 715103-08	-05	8.0	5/16"	7.6-8.5	-	16.7-18.3	20	290	80	1160	100	0.280	50/100	PUSH-ON-R3-05
JDE 715103-10	-06	9.5	3/8"	9.2-10.1	-	18.3-19.8	20	290	80	1160	100	0.300	50/100	PUSH-ON-R3-06
JDE 715103-12	-08	12.7	1/2"	12.4-13.5	-	23.0-24.6	20	290	80	1160	125	0.420	50/100	PUSH-ON-R3-08
JDE 715103-16	-10	16.0	5/8"	15.6-16.7	-	26.2-27.8	20	290	80	1160	140	0.470	50/100	PUSH-ON-R3-10
JDE 715103-19	-12	19.0	3/4"	18.7-19.8	-	31.0-32.5	20	290	80	1160	150	0.680	50/100	PUSH-ON-R3-12
JDE 715103-25	-16	25.4	1"	25.1-26.2	-	36.9-39.3	20	290	80	1160	205	0.900	50/100	PUSH-ON-R3-16

Marking / Layline (Printing, Ink, Embossed)



Cover Type: Wrapped



Packing Type: Roll, Pallet, Reel



Outward Appearance: Green



Powered by DME&JDE Group

# Air & Water Hose – Black Textile Braided Fluid Hose



Applicable Specs:

■ EXCEEDS ISO 1402 Type A

Applications:



Italy Technology Equipment

Product Series:



New-Standard

**Internal hose:**  
Synthetic rubber

**Reinforcement:**  
1 layer of textile braid high tensile synthetic yarn

**Covering:**  
Synthetic rubber, resistant to oils, ozone

**Fittings:**  
DME logo fittings: AIR BRAKE-XX (X: Can choose) •  
Certificate: MSHA & BV & GOST & IATF 16949 & ISO 9001 & ISO 14001 & ISO 45001 & DAKKS & SGS & MA & DEKRA Approved

**Working Pressure:**  
20 Bar / 290 PSI

**Temperature:**  
• -40 °C to +100 °C

**Media:**  
Automotive Air Brake System: Tractor-Trailer Air Brake connections. Hose designed for Air, water delivery

#	Hose Size		I.D.	R.O.D.	O.D.	Operating Pressure		Burst Pressure		Bend Radius	Weight	Length Per PCS	Ferrule	
Part Number	Dash Size	mm	inch	mm	mm	mm	bar	psi	bar	psi	mm	kgs/m	meter	DME Code
JDE 711101-06	-04	6.4	1/4"	6.1-7.0	12.4±0.4	15.5±0.4	20	290	40	580	51	0.27	50	AIR BRAKE-04
JDE 711101-08	-05	8.0	5/16"	7.6-8.5	14.4±0.4	17.5±0.4	20	290	40	580	67	0.35	50	AIR BRAKE-05
JDE 711101-10	-06	9.5	3/8"	9.5-10.1	16.9±0.4	20.0±0.4	20	290	40	580	83	0.39	50	AIR BRAKE-06
JDE 711101-12	-08	12.7	1/2"	12.4-13.5	20.7±0.4	23.5±0.4	20	290	40	580	107	0.49	50	AIR BRAKE-08
JDE 711101-16	-10	16.0	5/8"	15.6-16.7	23.7±0.4	27.5±0.4	20	290	40	580	131	0.53	50	AIR BRAKE-10
JDE 711101-19	-12	19.0	3/4"	18.6-19.8	27.7±0.4	29.7±0.4	20	290	40	580	155	0.70	50	AIR BRAKE-12
JDE 711101-25	-16	25.4	1"	25.0-26.4	33.7±0.4	37.5±0.4	20	290	40	580	203	0.80	50	AIR BRAKE-16
JDE 711101-32	-20	31.8	1-1/4"	31.4-33.0	40.4±0.4	44.5±0.4	20	290	40	580	390	1.10	50	AIR BRAKE-20
JDE 711101-38	-24	38.1	1-1/2"	37.7-39.3	47.6±0.4	50.5±0.4	20	290	40	580	500	1.50	50	AIR BRAKE-24
JDE 711101-51	-32	50.8	2"	50.4-52.0	62.1±0.4	65.5±0.4	20	290	40	580	630	2.00	50	AIR BRAKE-32

Marking / Layline (Printing, Ink, Embossed)



Cover Type: Wrapped, Smooth



Packing Type: Roll, Pallet, Reel



Outward Appearance: Black, Red, Gray, Yellow, Green, Blue



Powered by DME&JDE Group



## Air & Water Hose – Yellow Textile Braided Fluid Hose



Applicable Specs:  
■ EXCEEDS ISO 1402 Type A

Applications:



Italy Technology Equipment

Product Series:



New-Standard

Internal hose:  
Synthetic rubber

Reinforcement:  
1 layer of textile braid high tensile synthetic yarn

Covering:  
Synthetic rubber, resistant to oils, ozone

Fittings:  
DME logo fittings: AIR BRAKE-XX (X: Can choose)  
Certificate: MSHA & BV & GOST & IATF 16949  
& ISO 9001 & ISO 14001 & ISO 45001  
& DAKKS & SGS & MA & DEKRA Approved



Working Pressure:  
20 Bar / 290 PSI

Temperature:  
• -40 °C to +100 °C

Media:  
Automotive Air Brake System: Tractor-Trailer Air Brake connections. Hose designed for Air, water delivery

#	Hose Size			I.D.	R.O.D.	O.D.	Operating Pressure		Burst Pressure		Bend Radius	Weight	Length Per PCS	Ferrule
	Dash Size	mm	inch				bar	psi	bar	psi				
JDE 713101-06	-04	6.4	1/4"	6.1-7.0	12.4±0.4	15.5±0.4	20	290	40	580	51	0.27	50	AIR BRAKE-04
JDE 713101-08	-05	8.0	5/16"	7.6-8.5	14.4±0.4	17.5±0.4	20	290	40	580	67	0.35	50	AIR BRAKE-05
JDE 713101-10	-06	9.5	3/8"	9.5-10.1	16.9±0.4	20.0±0.4	20	290	40	580	83	0.39	50	AIR BRAKE-06
JDE 713101-12	-08	12.7	1/2"	12.4-13.5	20.7±0.4	23.5±0.4	20	290	40	580	107	0.49	50	AIR BRAKE-08
JDE 713101-16	-10	16.0	5/8"	15.6-16.7	23.7±0.4	27.5±0.4	20	290	40	580	131	0.53	50	AIR BRAKE-10
JDE 713101-19	-12	19.0	3/4"	18.6-19.8	27.7±0.4	29.7±0.4	20	290	40	580	155	0.70	50	AIR BRAKE-12
JDE 713101-25	-16	25.4	1"	25.0-26.4	33.7±0.4	37.5±0.4	20	290	40	580	203	0.80	50	AIR BRAKE-16
JDE 713101-32	-20	31.8	1-1/4"	31.4-33.0	40.4±0.4	44.5±0.4	20	290	40	580	390	1.10	50	AIR BRAKE-20
JDE 713101-38	-24	38.1	1-1/2"	37.7-39.3	47.6±0.4	50.5±0.4	20	290	40	580	500	1.50	50	AIR BRAKE-24
JDE 713101-51	-32	50.8	2"	50.4-52.0	62.1±0.4	65.5±0.4	20	290	40	580	630	2.00	50	AIR BRAKE-32

Marking / Layline (Printing, Ink, Embossed)



Cover Type:  
Wrapped, Smooth

Packing Type:  
Roll, Pallet, Reel

Outward Appearance:  
● Black, ● Red, ● Gray, ● Yellow, ● Green, ● Blue



Powered by DME&JDE Group

## Air & Water Hose – Red Textile Braided Fluid Hose



Applicable Specs:  
■ EXCEEDS ISO 1402 Type A

Applications:



Italy Technology Equipment

Product Series:



New-Standard

Internal hose:  
Synthetic rubber

Reinforcement:  
1 layer of textile braid high tensile synthetic yarn

Covering:  
Synthetic rubber, resistant to oils, ozone

Fittings:  
DME logo fittings: AIR BRAKE-XX (X: Can choose)  
Certificate: MSHA & BV & GOST & IATF 16949  
& ISO 9001 & ISO 14001 & ISO 45001  
& DAKKS & SGS & MA & DEKRA Approved



Working Pressure:  
20 Bar / 290 PSI

Temperature:  
• -40 °C to +100 °C

Media:  
Automotive Air Brake System: Tractor-Trailer Air Brake connections. Hose designed for Air, water delivery

#	Hose Size			I.D.	R.O.D.	O.D.	Operating Pressure		Burst Pressure		Bend Radius	Weight	Length Per PCS	Ferrule
	Dash Size	mm	inch				bar	psi	bar	psi				
JDE 714101-06	-04	6.4	1/4"	6.1-7.0	12.4±0.4	15.5±0.4	20	290	40	580	51	0.27	50	AIR BRAKE-04
JDE 714101-08	-05	8.0	5/16"	7.6-8.5	14.4±0.4	17.5±0.4	20	290	40	580	67	0.35	50	AIR BRAKE-05
JDE 714101-10	-06	9.5	3/8"	9.5-10.1	16.9±0.4	20.0±0.4	20	290	40	580	83	0.39	50	AIR BRAKE-06
JDE 714101-12	-08	12.7	1/2"	12.4-13.5	20.7±0.4	23.5±0.4	20	290	40	580	107	0.49	50	AIR BRAKE-08
JDE 714101-16	-10	16.0	5/8"	15.6-16.7	23.7±0.4	27.5±0.4	20	290	40	580	131	0.53	50	AIR BRAKE-10
JDE 714101-19	-12	19.0	3/4"	18.6-19.8	27.7±0.4	29.7±0.4	20	290	40	580	155	0.70	50	AIR BRAKE-12
JDE 714101-25	-16	25.4	1"	25.0-26.4	33.7±0.4	37.5±0.4	20	290	40	580	203	0.80	50	AIR BRAKE-16
JDE 714101-32	-20	31.8	1-1/4"	31.4-33.0	40.4±0.4	44.5±0.4	20	290	40	580	390	1.10	50	AIR BRAKE-20
JDE 714101-38	-24	38.1	1-1/2"	37.7-39.3	47.6±0.4	50.5±0.4	20	290	40	580	500	1.50	50	AIR BRAKE-24
JDE 714101-51	-32	50.8	2"	50.4-52.0	62.1±0.4	65.5±0.4	20	290	40	580	630	2.00	50	AIR BRAKE-32

Marking / Layline (Printing, Ink, Embossed)



Cover Type:  
Wrapped, Smooth

Packing Type:  
Roll, Pallet, Reel

Outward Appearance:  
● Black, ● Red, ● Gray, ● Yellow, ● Green, ● Blue



Powered by DME&JDE Group

## SAE J20 R3 Heater Hose

Applicable Specs:

- SAE J20
- SAE J20 R3
- SAE 20 R3
- SAE J2065
- ISO/TS 16949:2009

Applications:



Italy Technology Equipment

Product Series:



New-Standard

**Internal hose:**  
High quality EPDM rubber

**Reinforcement:**  
High tensile synthetic textile (PET)

**Covering:**  
High quality EPDM rubber

**Fittings:**  
Ferrule: No-skive Type PUSH-ON-R6/1TE  
Insert: PUSH-ON-R6/1TE (X: Can choose)  
Certificate: MSHA & BV & GOST & IATF 16949  
& ISO 9001 & ISO 14001 & ISO 45001  
& DAKKS & SGS & MA & DEKRA Approved



**Working Pressure:**  
5–10.3 Bar / 72.5–150 PSI

**Temperature:**  
• -40 °C to +150 °C (-40 °F to +300 °F)  
• Prolonged operation at extreme temperatures will reduce hoses life

**Media:**  
Water, alcohol, antifreeze fluid

#	Hose Size			I.D.	R.O.D.	O.D.	Operating Pressure		Burst Pressure		Bend Radius	Weight	Length Per PCS	Ferrule
Part Number	Dash Size	mm	inch	mm	mm	mm	bar	psi	bar	psi	mm	kgs/m	meter	DME Code
JDE 721106-04	-04	6.0	1/4"	6.2-7.0	/	14.0 (max)	10.3	150	17.2	250	60	0.29	50	PUSH-ON-R6/1TE-04
JDE 721106-08	-05	7.9	5/16"	7.7-8.5	/	15.5 (max)	10.3	150	17.2	250	65	0.35	50	PUSH-ON-R6/1TE-05
JDE 721106-10	-06	9.5	3/8"	9.0-10.0	/	14.7-16.3	10.3	150	17.2	250	70	0.39	50	PUSH-ON-R6/1TE-06
JDE 721106-11	-6.5	10.0	13/32"	9.3-10.1	/	17.1 (max)	10.3	150	17.2	250	70	0.41	50	PUSH-ON-R6/1TE-06
JDE 721106-12	-08	12.7	1/2"	12.1-13.3	/	17.7-19.7	10.3	150	17.2	250	100	0.49	50	PUSH-ON-R6/1TE-08
JDE 721106-16	-10	15.9	5/8"	15.3-16.5	/	21.9-23.9	10.3	150	17.2	250	125	0.53	50	PUSH-ON-R6/1TE-10
JDE 721106-18	-11	17.5	11/16"	16.9-17.5	/	24.5 (max)	10.3	150	17.2	250	130	0.65	20	PUSH-ON-R6/1TE-10
JDE 721106-19	-12	19.0	3/4"	18.2-19.8	/	25.4-27.8	10.3	150	13.8	200	150	0.70	20	PUSH-ON-R6/1TE-12
JDE 721106-25	-16	25.4	1"	24.6-26.2	/	33.4 (max)	10.3	150	12.0	175	155	0.80	20	PUSH-ON-R6/1TE-16
JDE 721106-32	-20	31.8	1-1/4"	31.4-33.0	/	44.5±0.4	5.0	72.5	20.0	290	200	1.10	50	PUSH-ON-R6/1TE-20
JDE 721106-38	-24	38.1	1-1/2"	37.7-39.3	/	50.5±0.4	5.0	72.5	20.0	290	230	1.50	50	PUSH-ON-R6/1TE-24
JDE 721106-51	-32	50.8	2"	50.4-52.0	/	65.5±0.4	5.0	72.5	20.0	290	300	2.00	50	PUSH-ON-R6/1TE-32

Marking / Layline (Printing, Ink)



**Cover Type:**  
Smooth

**Packing Type:**  
Roll, Pallet, Reel

**Outward Appearance:**  
● Black



Powered by DME&JDE Group

## SAE J30 R6 Textile Braided Fluid Hose



Applicable Specs:

- EN 1360 1W
- SAE J30 R2-Type-3

Applications:



Italy Technology Equipment

Product Series:



New-Standard

**Internal hose:**  
Synthetic rubber resistant to petrol and diesel fuel, extruded whole without joints, of uniform thickness. Anti-static electricity: R < 1MΩ

**Reinforcement:**  
1 layer of textile braid

**Covering:**  
Anti-abrasive synthetic rubber, resistant to oils, fuels and atmospheric conditions. Anti-static electricity: R < 1MΩ

**Fittings:**  
Ferrule: No-skive Type PUSH-ON-R6/1TE  
Insert: PUSH-ON-R6/1TE (X: Can choose)  
Certificate: MSHA & BV & GOST & IATF 16949  
& ISO 9001 & ISO 14001 & ISO 45001  
& DAKKS & SGS & MA & DEKRA Approved



**Working Pressure:**  
2.75–8.6 Bar / 39.875–124.7 PSI

**Temperature:**  
• -40 °C to +100 °C  
• Prolonged operation at extreme temperatures will reduce hoses life

**Media:**  
Petrol and diesel fuel dispensing lines

#	Hose Size			I.D.	R.O.D.	O.D.	Operating Pressure		Burst Pressure		Bend Radius	Weight	Length Per PCS	Ferrule
Part Number	Dash Size	mm	inch	mm	mm	mm	bar	psi	bar	psi	mm	kgs/m	meter	DME Code
JDE 821106-05	-03	5.0	3/16"	4.6-5.4	-	11.9 MAX.	8.6	124.7	17.2	249.4	50	0.095	50	FUEL-03
JDE 821106-06	-04	6.0	1/4"	6.2-7.0	-	13.2 MAX.	8.6	124.7	17.2	249.4	65	0.130	50	FUEL-04
JDE 821106-08	-05	8.0	5/16"	7.7-8.5	-	14.8 MAX.	8.6	124.7	17.2	249.4	75	0.156	50	FUEL-05
JDE 821106-10	-06	10.0	3/8"	9.3-10.1	-	16.4 MAX.	6.0	87.0	12.0	174.0	75	0.183	50	FUEL-06
JDE 821106-12	-08	12.0	1/2"	12.3-13.5	-	24.6 MAX.	6.0	87.0	12.0	174.0	100	0.264	50	FUEL-08
JDE 821106-16	-10	16.0	5/8"	15.5-16.7	-	24.6 MAX.	6.0	87.0	12.0	174.0	125	0.302	50	FUEL-10
JDE 821106-19	-12	19.0	3/4"	18.6-19.8	-	29.3 MAX.	6.0	87.0	12.0	174.0	150	0.372	50	FUEL-12
JDE 821106-25	-16	25.4	1"	25.0-26.4	-	36.5 MAX.	6.0	87.0	12.0	174.0	190	0.830	50	FUEL-16

Marking / Layline (Printing, Ink, Embossed)



**Cover Type:**  
Wrapped, Smooth

**Packing Type:**  
Roll, Pallet, Reel

**Outward Appearance:**  
● Black, ● Red, ● Gray, ● Yellow, ● Green, ● Blue



Powered by DME&JDE Group





# PTFE HOSE



## Application

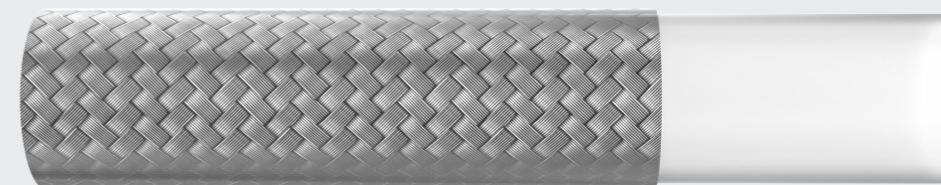


## Smooth Bore PTFE Hose



### Applicable Specs:

- European technical design standard
- SAE J517 R14

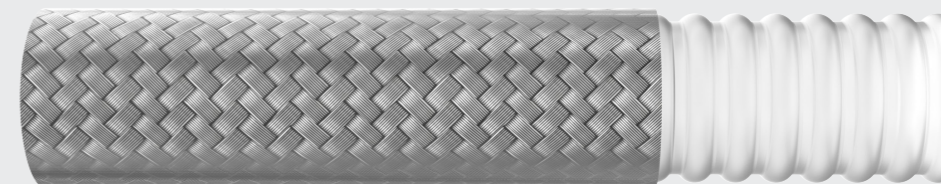


## Convolute PTFE Hose



### Applicable Specs:

- European technical design standard
- Easy Flow

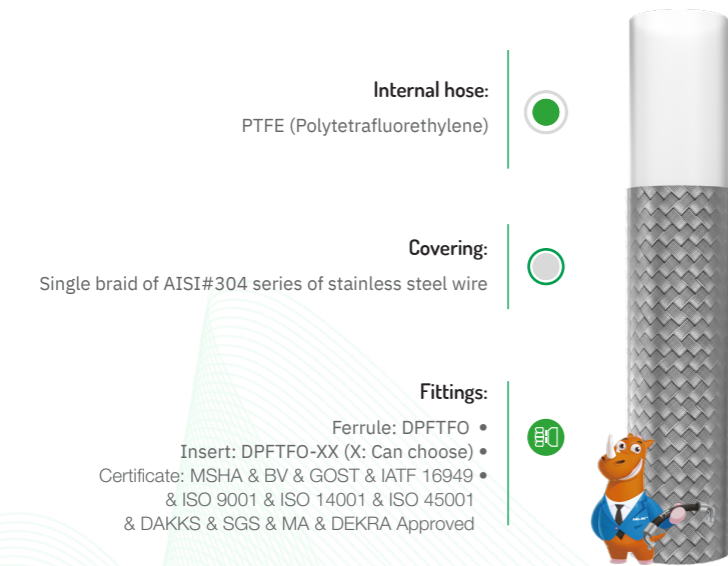


## Smooth Bore PTFE (Polytetrafluorethylene) Resin Hose with AISI 304

Applicable Specs: European technical design standard SAE J517 R14

German Technology Equipment

Product Series: SHIELD FLEX New-Standard



- Working Pressure:** 80–276 Bar / 1160–4002 PSI
- Temperature:** • -55 °C to +210 °C (intermittent 260 °C)
- Media:** P.T.F.E hose has an excellent temperature characteristics both in high and low temperature, excellent chemical resistance, non contamination properties, low coefficient of friction and resists deterioration. Therefore the hose is used generally in applications where all or one of the above properties is the main criteria.

#	Hose Size		I.D.	O.D.	Operating Pressure		Burst Pressure		Weight	Bend Radius	Ferrule	
	Dash Size	mm			inch	bar	psi	bar				psi
JDE 337414-04	-02	4.9	1/8"	4.7-5.2	7.4-8.0	276	4002	828	12006	0.075	40	DPFTFO-02
JDE 337414-05	-03	5.1	3/16"	4.7-5.2	7.4-8.0	264	3828	800	11600	0.075	40	DPFTFO-03
JDE 337414-06	-04	6.7	1/4"	6.4-6.7	9.0-9.7	224	3248	700	10150	0.095	63	DPFTFO-04
JDE 337414-08	-05	8.4	5/16"	7.9-8.3	10.9-11.5	207	3001.5	621	9005	0.14	75	DPFTFO-05
JDE 337414-10	-06	10.3	3/8"	9.8-10.3	12.5-13.2	183	2653.5	540	7830	0.15	35	DPFTFO-06
JDE 337414-13	-08	13.4	1/2"	12.8-13.3	15.9-17.0	161	2334.5	480	6960	0.225	70	DPFTFO-08
JDE 337414-16	-10	16.6	5/8"	15.8-16.5	19.0-20.5	115	1667.5	400	5800	0.252	130	DPFTFO-10
JDE 337414-19	-12	19.8	3/4"	18.8-19.8	22.0-24.0	103	1493.5	360	5220	0.35	190	DPFTFO-12
JDE 337414-22	-14	22.1	7/8"	22.0-22.6	25.6-26.2	92	1334	320	4640	0.41	245	DPFTFO-14
JDE 337414-25	-16	26.1	1"	24.8-26.2	28.6-30.0	80	1160	260	3770	0.5	270	DPFTFO-16

Marking / Layline (Printing, Ink)



**Cover Type:** Single Braid of AISI#304 Series Of Stainless Steel Wire

**Packing Type:** Roll, Pallet

**Outward Appearance:** AISI#304

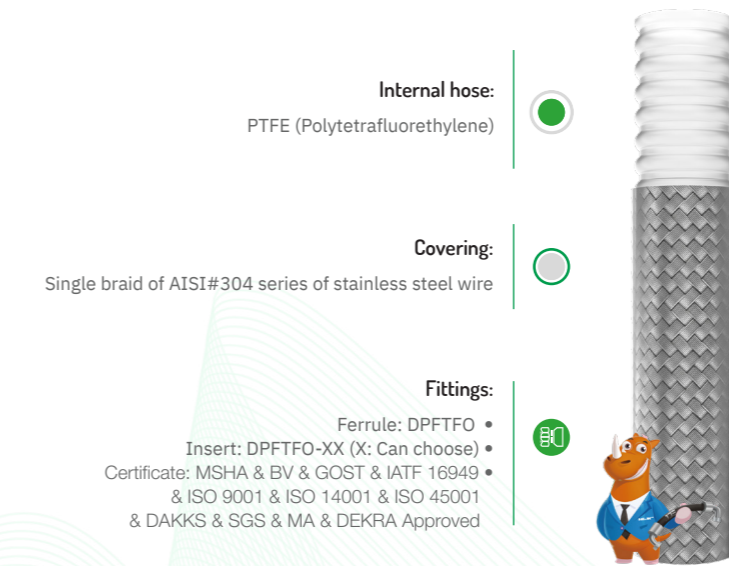
**Certificate:** ISO 9001, ISO 14001, MSHA, DAKKS, DEKRA, DIN, SAE, MA, WSF

## Convuluted PTFE (Polytetrafluorethylene) Resin Hose with AISI 304

Applicable Specs: European technical design standard Easy Flow

German Technology Equipment

Product Series: EASY-FIT EASY-FLEX No-Skive



- Working Pressure:** 26–172 Bar / 381–2494 PSI
- Temperature:** • -55 °C to +210 °C (intermittent 260 °C)
- Media:** Easy Flow -P.T.F.E hose has an excellent temperature characteristics both in high and low temperature, excellent chemical resistance, non contamination properties, low coefficient of friction and resists deterioration. Therefore the hose is used generally in applications where all or one of the above properties is the main criteria.

#	Hose Size		I.D.	O.D.	Operating Pressure		Burst Pressure		Weight	Bend Radius	Ferrule	
	Dash Size	mm			inch	bar	psi	bar				psi
JDE 337414-06 C	-04	6.7	1/4"	6.4-6.7	11.5-13.5	172	2494	517	7497	0.135	10	DPFTFO-04
JDE 337414-08 C	-05	8.4	5/16"	7.9-8.3	12.5-14.0	138	2001	414	6003	0.156	15	DPFTFO-05
JDE 337414-10 C	-06	10.3	3/8"	9.8-10.3	14.5-15.8	138	2001	414	6003	0.21	20	DPFTFO-06
JDE 337414-13 C	-08	13.4	1/2"	12.7-13.3	18.0-19.5	103	1494	350	5075	0.272	25	DPFTFO-08
JDE 337414-16 C	-10	16.6	5/8"	15.8-16.5	22.5-23.5	83	1204	249	3611	0.377	30	DPFTFO-10
JDE 337414-19 C	-12	19.8	3/4"	18.8-19.8	26.0-27.5	69	1001	210	3045	0.42	50	DPFTFO-12
JDE 337414-25 C	-16	26.1	1"	24.8-25.8	32.0-34.0	46	667	180	2610	0.6	60	DPFTFO-16
JDE 337414-32 C	-20	32	1-1/4"	31.5-33.0	40.0-41.6	37.5	544	150	2175	0.1	80	DPFTFO-20
JDE 337414-38 C	-24	38	1-1/2"	37.5-39.0	47.5-50.0	55	798	110	1595	0.115	100	DPFTFO-24
JDE 337414-51 C	-32	51	2"	49.0-51.5	60.5-63.0	26	381	105	1523	0.17	125	DPFTFO-32

Marking / Layline (Printing, Ink)



**Cover Type:** Single Braid of AISI#304 Series Of Stainless Steel Wire

**Packing Type:** Roll, Pallet

**Outward Appearance:** AISI#304

**Certificate:** ISO 9001, ISO 14001, MSHA, DAKKS, DEKRA, DIN, SAE, MA, WSF





# A/C HOSE



Application



## Type C 5 Layer Braiding



Applicable Specs:

- SAE J2064
- SAE J3062
- QC/T664



## Type C 7 Layer Winding



Applicable Specs:

- SAE J2064
- SAE J3062
- QC/T664



## Type E 4 Layer Braiding



Applicable Specs:

- SAE J2064
- SAE J3062
- QC/T664

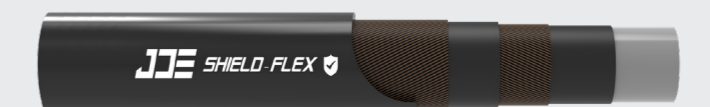


## Type E 6 Layer Winding



Applicable Specs:

- SAE J2064
- SAE J3062
- QC/T664



## Type C 5 Layer Braiding

Applicable Specs:

- SAE J2064
- SAE J3062
- QC/T664

Applications:



Italy Technology Equipment

Product Series:



New-Standard

**Tube:**

EPDM/CSM/IIR



**Barrier:**

PA/NYLON



**Friction:**

EPDM/CSM/IIR



**Reinforcement:**

Braided PET/PVA



**Cover:**

EPDM



**Fittings:**

DPFR134a-XX (X: Can choose)



**Working Pressure:**

35 Bar / 500 PSI



**Temperature:**

• -40 °C to +135 °C



**Media:**

- refrigerant
- R134a
- R404a
- R1234yf



#	Hose Size		I.D.	O.D.	W.T.	W.D.	Operating Pressure		Burst Pressure		Bend Radius	Permeability	Ferrule
	Inch	Spec					bar	psi	bar	psi			
JDE 321404-08 TC	5/16"	8.2 × 19.0	8.2±0.2	19.0±0.3	5.5	0.4	35	500	210	3000	55.0	1.9	DPFR134a-05
JDE 321404-10 C	13/32"	10.5 × 23.0	10.5±0.2	23.0±0.3	6.2	0.4	35	500	210	3000	65.0	1.9	DPFR134a-06
JDE 321404-13 AC	1/2" A	13.0 × 25.4	13.0±0.2	25.4±0.3	6.2	0.4	35	500	220	3200	75.0	1.9	DPFR134a-08
JDE 321404-13 BC	1/2" B	13.0 × 23.0	13.0±0.2	23.0±0.3	5.0	0.4	35	500	220	3200	70.0	1.9	DPFR134a-08
JDE 321404-16 C	5/8"	16.0 × 28.6	16.0±0.2	28.6±0.3	6.1	0.4	15	200	180	2600	85.0	1.9	DPFR134a-10
JDE 321404-08 C	φ8.0	8.2 × 15.2	8.2±0.2	15.2±0.3	3.5	0.4	35	500	280	3300	55.0	1.9	DPFR134a-05
JDE 321404-11 C	φ11.2	11.4 × 18.4	11.4±0.2	18.4±0.3	3.5	0.4	35	500	220	3200	70.0	1.9	DPFR134a-06
JDE 321404-13 C	φ13.0	13.0 × 21.0	13.0±0.2	21.0±0.3	4.0	0.4	35	500	200	2900	75.0	1.9	DPFR134a-08
JDE 321404-15 C	φ15.2	15.2 × 23.0	15.2±0.2	23.0±0.3	3.9	0.4	35	500	180	2600	85.0	1.9	DPFR134a-10

Marking / Layline (Printing, Ink, Embossed)



Cover Type:  
Smooth, Wrapped



Packing Type:  
Roll, Pallet



Outward Appearance:  
● Black



Powered by DME&JDE Group

## Type C 7 Layer Winding

Applicable Specs:

- SAE J2064
- SAE J3062
- QC/T664

Applications:



Italy Technology Equipment

Product Series:



New-Standard

**Tube:**

EPDM/CSM/IIR



**Barrier:**

PA/NYLON



**Friction:**

EPDM/CSM/IIR



**Reinforcement:**

Winding PET/PVA



**Cover:**

EPDM



**Fittings:**

DPFR134a-XX (X: Can choose)



**Working Pressure:**

15-35 Bar / 200-500 PSI



**Temperature:**

• -40 °C to +135 °C



**Media:**

- refrigerant
- R134a
- R404a
- R1234yf



#	Hose Size		I.D.	O.D.	W.T.	W.D.	Operating Pressure		Burst Pressure		Bend Radius	Permeability	Ferrule
	Inch	Spec					bar	psi	bar	psi			
JDE 321413-08 C	5/16"	8.2 × 19.0	8.2±0.2	19.0±0.3	5.5	0.4	35	500	210	3000	55.0	1.9	DPFR134a-05
JDE 321413-10 C	13/32"	10.5 × 23.0	10.5±0.2	23.0±0.3	6.2	0.4	35	500	210	3000	65.0	1.9	DPFR134a-06
JDE 321413-13 AC	1/2" A	13.0 × 25.4	13.0±0.2	25.4±0.3	6.2	0.4	35	500	220	3200	75.0	1.9	DPFR134a-08
JDE 321413-13 BC	1/2" B	13.0 × 23.0	13.0±0.2	23.0±0.3	5.0	0.4	35	500	220	3200	70.0	1.9	DPFR134a-08
JDE 321413-16 C	5/8"	16.0 × 28.6	16.0±0.2	28.6±0.3	6.1	0.4	15	200	180	2600	85.0	1.9	DPFR134a-10

Marking / Layline (Printing, Ink, Embossed)



Cover Type:  
Smooth, Wrapped



Packing Type:  
Roll, Pallet



Outward Appearance:  
● Black



Powered by DME&JDE Group



## Type E 4 Layer Braiding

Applicable Specs:

- SAE J2064
- SAE J3062
- QC/T664

Applications:



Italy Technology Equipment

Product Series:



New-Standard

- Barrier:** PA/NYLON
- Friction:** EPDM/CSM/IIR
- Reinforcement:** Braided PET/PVA
- Cover:** EPDM



- Fittings:** DPF134a-XX (X: Can choose)
- Working Pressure:** 35 Bar / 500 PSI
- Temperature:** -40 °C to +135 °C
- Media:** refrigerant
  - R134a
  - R404a
  - R1234yf

#	Hose Size		I.D.	O.D.	W.T.	W.D.	Operating Pressure		Burst Pressure	Bend Radius	Permeability	Ferrule	
	Inch	Spec					bar	psi					kg/m <sup>3</sup> /year
JDE 321404-08 E	φ8.0	8.2 × 15.2	8.2±0.2	15.2±0.3	3.5	0.4	35	500	280	3300	55.0	1.9	DPFR134a-05
JDE 321404-11 E	φ11.2	11.4 × 18.4	11.4±0.2	18.4±0.3	3.5	0.4	35	500	220	3200	70.0	1.9	DPFR134a-06
JDE 321404-13 E	φ13.0	13.0 × 21.0	13.0±0.2	21.0±0.3	4.0	0.4	35	500	200	2900	75.0	1.9	DPFR134a-08
JDE 321404-15 E	φ15.2	15.2 × 23.0	15.2±0.2	23.0±0.3	3.9	0.4	35	500	180	2600	85.0	1.9	DPFR134a-10

Marking / Layline (Printing, Ink, Embossed)



- Cover Type:** Smooth, Wrapped
- Packing Type:** Roll, Pallet
- Outward Appearance:** Black



## Type E 6 Layer Winding

Applicable Specs:

- SAE J2064
- SAE J3062
- QC/T664

Applications:



Italy Technology Equipment

Product Series:



New-Standard

- Barrier:** PA/NYLON
- Friction:** EPDM/CSM/IIR
- Reinforcement:** Braided PET/PVA
- Cover:** EPDM



- Fittings:** DPF134a-XX (X: Can choose)
- Working Pressure:** 15-35Bar/200-500PSI
- Temperature:** -40 °C to +135 °C
- Media:** refrigerant
  - R134a
  - R404a
  - R1234yf

#	Hose Size		I.D.	O.D.	W.T.	W.D.	Operating Pressure		Burst Pressure	Bend Radius	Permeability	Ferrule	
	Inch	Spec					bar	psi					kg/m <sup>3</sup> /year
JDE 321413-08 E	5/16"	8.2 × 19.0	8.2±0.2	19.0±0.3	5.5	0.4	35	500	210	3000	55.0	1.6	DPFR134a-05
JDE 321413-10 E	13/32"	10.5 × 23.0	10.5±0.2	23.0±0.3	6.2	0.4	35	500	210	3000	65.0	1.6	DPFR134a-06
JDE 321413-13 E	1/2" A	13.0 × 25.4	13.0±0.2	25.4±0.3	6.2	0.4	35	500	220	3200	70.0	1.6	DPFR134a-08
JDE 321413-13 E	1/2" B	13.0 × 23.0	13.0±0.2	23.0±0.3	5.0	0.4	35	500	220	3200	70.0	1.6	DPFR134a-08
JDE 321413-16 E	5/8"	16.0 × 28.6	16.0±0.2	28.6±0.3	6.1	0.4	15	200	180	2600	85.0	1.6	DPFR134a-10

Marking / Layline (Printing, Ink, Embossed)



- Cover Type:** Smooth, Wrapped
- Packing Type:** Roll, Pallet
- Outward Appearance:** Black






# IMAGE & VIDEO GALLERY

**Corporate & Workshop**

With years of experience, DME&JDE have developed and is continuously developing. Step into the Corporate and workshop, and know more about DME&JDE spirit, culture and strength.




**Production Line**

Advanced equipment, strict working principle guarantee the flexible hoses, fluid connector and hose assembly accurate dimensions and comply and even exceed international standard.



Inner Tube Production



Steel Wire Preparation



Office Building



Flexible Hoses Workshop



Fluid Connector Workshop



Raw Material Area



Waste Area



Working Principles



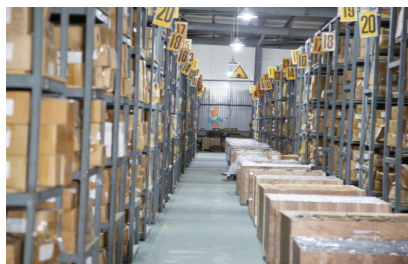
Quality Control Center



Ready-to-Package Area



Warehouse



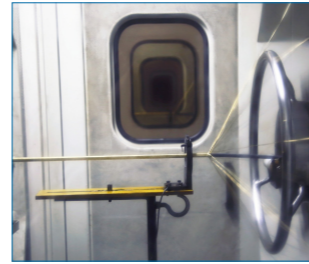
Warehouse



Meeting



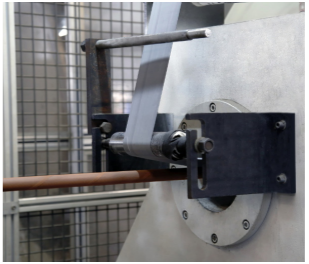
Team Discussing



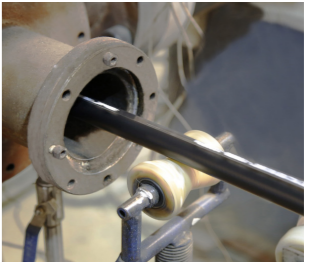
Reinforcement Layer Production



Outer Cover Production



Fiber Reinforcement Wrapping



Labeling



Packaging



Fiber Reinforcement Wrapping



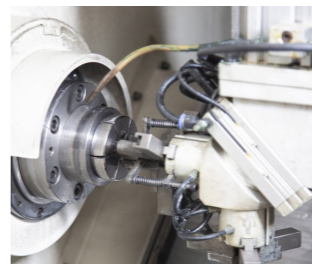
CNC Workshop



CNC Machine



Worker Operating



Fluid Connector Producing



Semi-Products



Laser Marking



O ring installation



Manual Assembling



Machine Assembling




Package



**Quality Control**

Strict quality control system guarantee our products are qualified and even exceed industrial standard to reduce defective rate, reduce downtime and enhance equipment performance.




Sulfuring Testing



Tensile Testing



Mooney Viscosity Testing



Impulse Testing



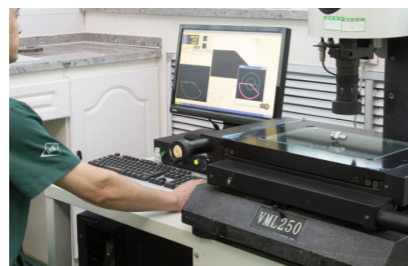
Ozone Resistance Testing



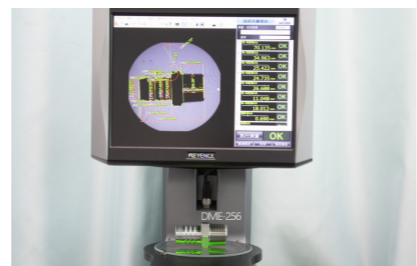
Salt Spray Testing



Trilinear Coordinates Test



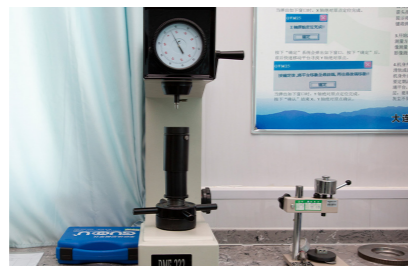
Coordinate Projection Test



Automatic Image Inspection



Roughness Test



Hardness Test



Spectrometer Material Testing

**Package & Warehouse**

Perfect standard package guarantee the perfect condition of products. Flexible custom package make more possibilities to suit different distributors and customers requirements and eliminate worries.



Roll Package



Carton Package



Pallet Package - Fluid Connector



Pallet Package - Flexible Hoses



Reel Package - Hydraulic Hose



Carton Package - Fluid Connector



# BECOME A DISTRIBUTOR

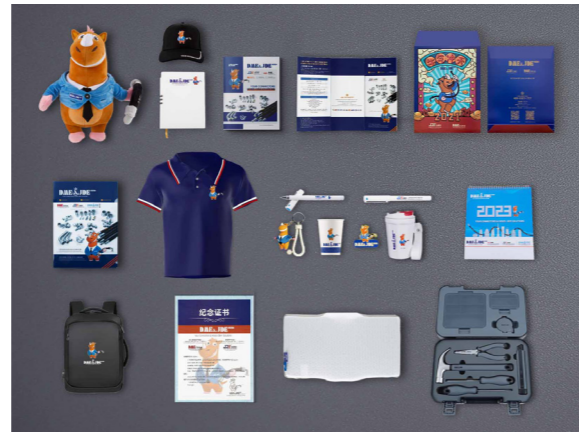
DME&JDE has the ability to develop a global footprint because we have extensive manufacturing capacities, large and smart stock warehouse and rich and enough technical support.

Browse what we can supply for our distributors...



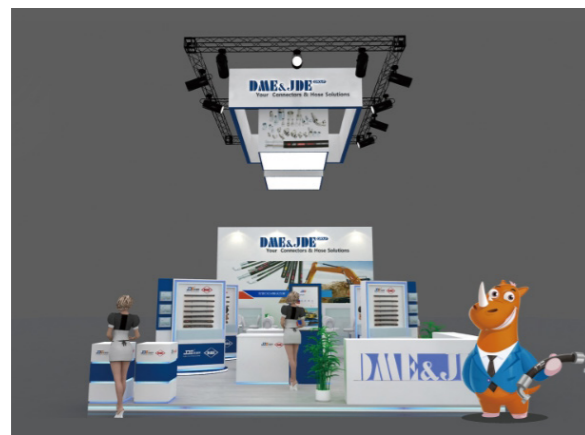
### National exclusive agency

Distributor owns the exclusive agency of our DME brand hose connectors, JDE brand flexible hoses and DME&JDE OEM solutions.



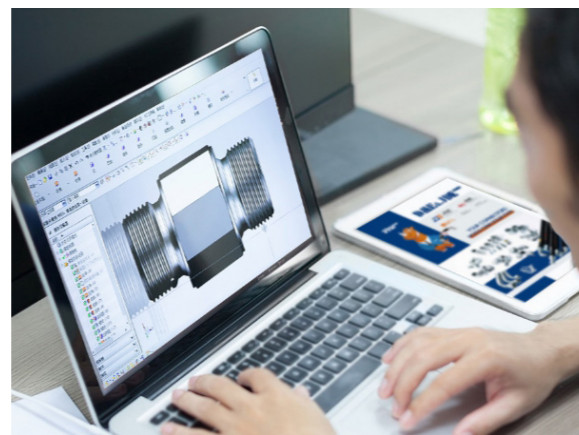
### Material Support

We will provide free materials, including brochure, manual, advertising specialty and clothing, demonstrating enterprise value and expanding market easily.



### Unified VI Support

DME&JDE has a complete set of distributor advertisement, new product posters and other unified VI designs to let your publicity more professional.



### Technical Support

DME&JDE will continuously develop new products according to your market demanding to help you catch your seize market opportunities and exploit potential market

DME&JDE not only supplies qualified products, but also provides marketing, customer care, total publicity planning, competitive price and professional technical support.



### Customer Support

DME&JDE adopts multiple promotion channel, including enterprise website promotion, Alibaba, Facebook, LinkedIn and Tik Tok, as well as exhibition. All customer resources will be allocated to the distributors of the corresponding region, helping distributors to expand the source



### Exhibition Support

DME&JDE will attend professional exhibitions including international, regional exhibitions, distributors can stand for enterprise to chat with exhibition customers. Several local exhibition, we can supply material supply for distributors.



### Price & Payment Support

Distributor price helps distributors make more profits and owns absolute advantage at local market



### Other Support

Distributors information including location, E-mail and phones will be displayed on our enterprise website, brochures and exhibitions.





**DME & JDE** GROUP  
YOUR CONNECTORS & HOSES OEM SOLUTIONS

**Your Hoses OEM Solutions**

**Your Connectors OEM Solutions**



- Hydraulic Hose
- Hydraulic Connectors
- Hydraulic Hose Assembly
- Hydraulic Hose Crimper



# CONTENTS



**DME & JDE** GROUP  
YOUR CONNECTORS & HOSES OEM SOLUTIONS



01

Product Selection.....229

02

## Fluid Connector

Hydraulic Adaptors.....235

Hydraulic Flange & Adaptors.....959

Hose Fittings.....1001

03

Image & Video Gallery.....1147

Become A distributor.....1151



# PRODUCT SELECTION

DME&JDE fluid connectors, (including adaptors, hose fittings and flanges) are designed for reliable and effective connections and a tailored fit to your DME&JDE hydraulic (or industrial) hoses and assemblies. Now, we have developed and manufactured thousands of product ranges of fluid connectors to keep your fluid power transfer smooth and efficient and reduce downtime. We aim to supply fluid connectors to connect and sealing all ports and equipment.



## Hydraulic Adaptors

An adaptor allows you to connect your hose of one size to a port, hose or fitting of a different size. And it can help to change your transfer line.



## Hydraulic Flange & Adaptor

Flange connections generally are used with tubing that has an O.D. greater than 7/8" or for applications involving extremely high pressures.



## Hose Fittings

Full ranges of crimping hose fittings and removable fittings can perfectly compatible with your current flexible hoses and hose assemblies.







# Hydraulic Adaptors

Hydraulic adaptors are fittings with connection threads on two or more sides. Hydraulic adaptor is mainly used for following applications: change thread types to another. Be used at a port connection, simplify orientation and accommodate several lines. DME&JDE offers large range of adaptors, which includes a wide variety of sizes, end styles, thread, and connection types.

Our adaptors cover an extensive range which includes:

**BSP, NPT & NPSM, JIC, METRIC, ORFS, SAE Threads.**



### Changing thread type to another

This is the common use in an in-line connection from a port connection. And it makes hoses more adaptable and with a wider application.



### Port Connection

Using at a port connection where a straight hose fitting will be connected

- Eliminates stress on both port and looks more streamlined.



### Simplifying orientation

Instead of using two bent tubes, it's easier to use a bent tube flange adapter. It's also faster and easier to make and install hose assemblies.



### Accommodating several lines.

A "Tee" or "Cross" adapter is used to accommodate several lines, such as connecting two hose assemblies into a common port.



Straight



45° Elbow



90° Elbow



Tee



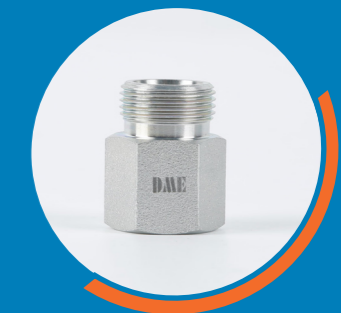
Cross



Adaptor With O Ring



Adaptor With Flange

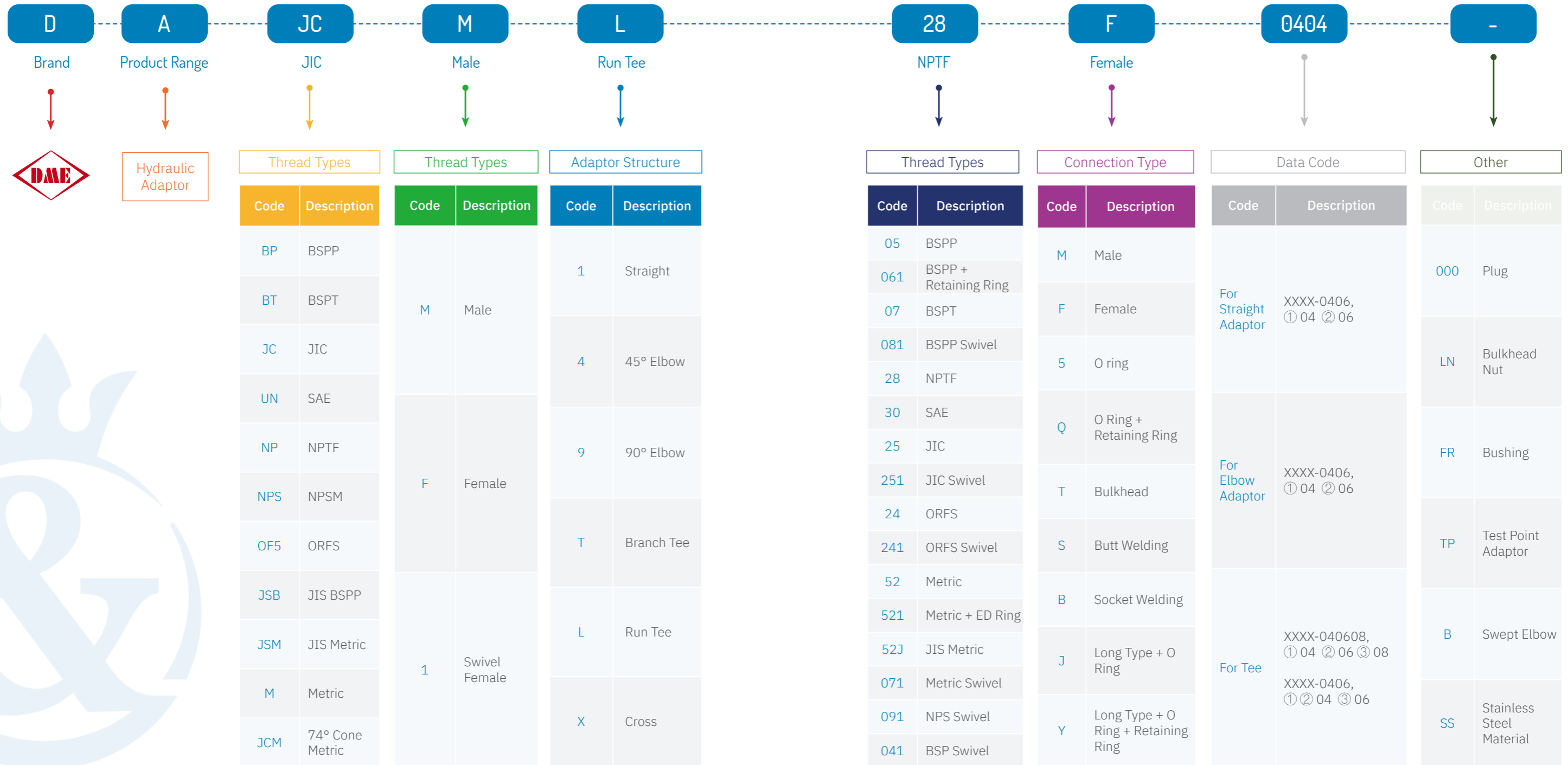


Male Plug



# CODE SYSTEM

e.g. DAJCM L28F-0404

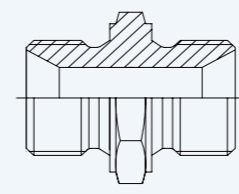
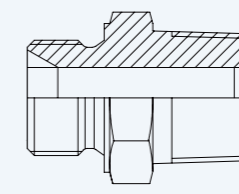
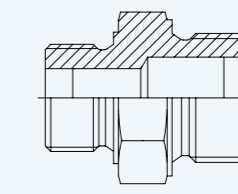
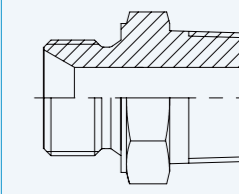
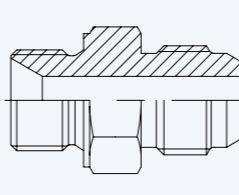
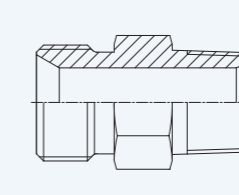
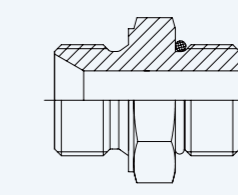
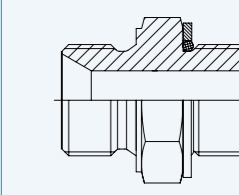
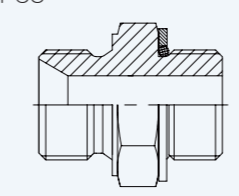
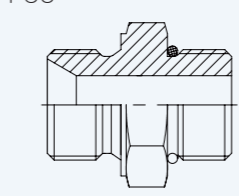
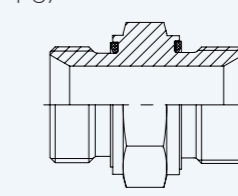
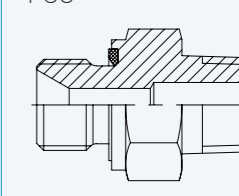
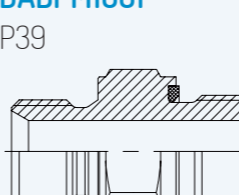
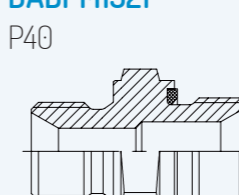
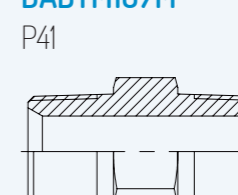
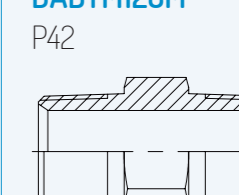




# Hydraulic Adaptors

**BSP** >>



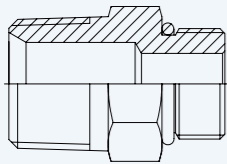
<p><b>DABPM105M</b> P26</p>  <p>Straight Connector BSPP Male 60° Cone - BSPP Male 60° Cone</p>	<p><b>DABPM128M</b> P27</p>  <p>Straight Connector BSPP Male 60° - NPTF Male Large Hexagon</p>	<p><b>DABPM152M</b> P28</p>  <p>Straight Connector BSPP Male 60° Cone-Metric Male 60°Cone</p>	<p><b>DABPM107M-LH</b> P29</p>  <p>Straight Connector BSPP Male 60° Cone - BSPT Male 60° Large Hexagon</p>
<p><b>DABPM152JM</b> P31</p>  <p>Straight Connector BSPP Male 60° Cone - JIS Metric Male 60°Cone</p>	<p><b>DABPM107M</b> P32</p>  <p>Straight Connector BSPP Male 60° - BSPT Male 60°</p>	<p><b>DABPM1305</b> P33</p>  <p>Straight Connector BSPP Male 60° - BSPT Male 60°</p>	<p><b>DABPM106Q</b> P34</p>  <p>Straight Connector BSPP Male 60° - BSPP Male + O Ring + Retaining Ring</p>
<p><b>DABPM152Q</b> P35</p>  <p>Straight Connector BSPP Male 60° - Metric Male + O Ring + Retaining Ring</p>	<p><b>DABPM1525</b> P36</p>  <p>Straight Connector BSPP Male 60° - Metric Male + O Ring</p>	<p><b>DABPM105M-ED</b> P37</p>  <p>Straight Connector BSPP Male 60° with ED Ring</p>	<p><b>DABPM107M-ED</b> P38</p>  <p>Straight Connector BSPP Male 60° with ED Ring - BSPT Male 60°</p>
<p><b>DABPM1061</b> P39</p>  <p>Straight Connector BSPP Male 60° Cone- BSPP Male with ED Seal</p>	<p><b>DABPM1521</b> P40</p>  <p>Straight Connector BSPP Male 60° Cone-Metric Male 60°Cone</p>	<p><b>DABTM107M</b> P41</p>  <p>Straight Connector BSPT Male 60° -BSPT Male 60°</p>	<p><b>DABTM128M</b> P42</p>  <p>Straight Connector BSPT Male 60° - NPTF Male 60°</p>





**DABTM1305**

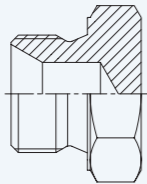
P43



Straight Connector BSPT Male 60° - SAE Male + O Ring

**DABPM1000**

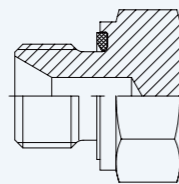
P44



Male Plug BSPP Male 60°

**DABPM1000-ED**

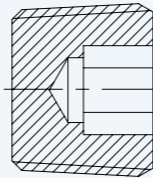
P45



Male Plug BSPP Male 60° ED Seal

**DABT21000-HHP**

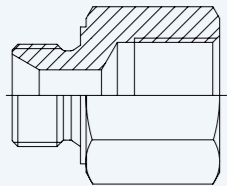
P46



Male Plug with Hexagon Socket Head BSPT

**DABPM105F**

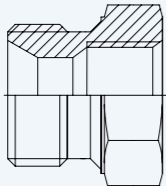
P47



Straight Connector BSPP Male 60° - BSPP Fixed Female

**DABPM105FR**

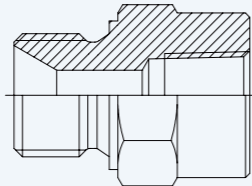
P48



Straight Bushing Connector BSPP Male 60° - BSPP Fixed Female

**DABPM128F**

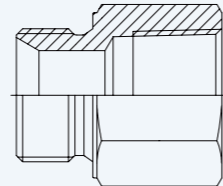
P49



Straight Connector BSPP Male 60° - NPTF Female

**DABPM107F**

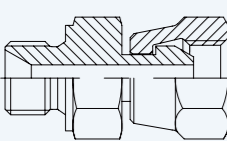
P50



Straight Connector BSPP Male 60° Cone-BSPT Female Cone

**DABPM1081**

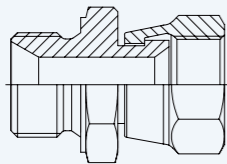
P51



Straight Connector BSPP Male 60° - BSPP Swivel Female 60°

**DABPM1251**

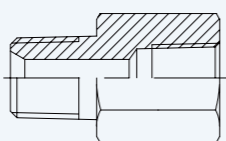
P52



Straight Connector BSP Male 60° - JIC Swivel Female 74°

**DABTM107F**

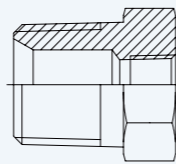
P53



Straight Connector BSPT Male 60° - BSPT Fixed Female

**DABTM107FR**

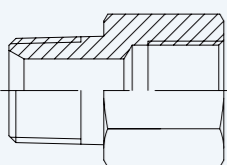
P54



Straight Bushing Connector BSPT Male 60° - BSPT Fixed Female

**DABTM105F**

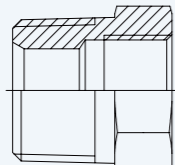
P55



Straight Connector BSPT Male 60° - BSPP Fixed Female

**DABTM105FR**

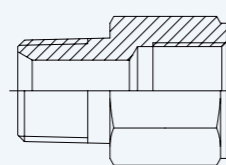
P56



Straight Bushing Connector BSPT Male 60° - BSPP Fixed Female

**DABTM152F**

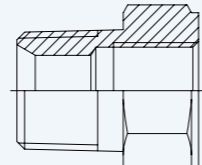
P57



Straight Adaptor BSPT Male 60° - Metric Fixed Female

**DABTM152FR**

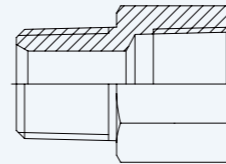
P58



Straight Bushing Connector BSPT Male 60° - Metric Fixed Female

**DABTM128F**

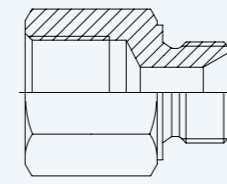
P59



Straight Connector BSPT Male 60° - NPTF Female

**DABPF152M**

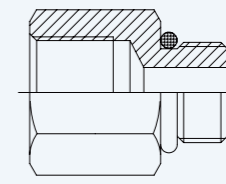
P60



Straight Connector BSPP Fixed Female - Metric Male 60°

**DABPF1305**

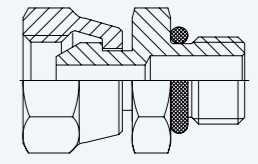
P61



Straight Adaptor BSPP Fixed Female - SAE Male O Ring

**DABP11065**

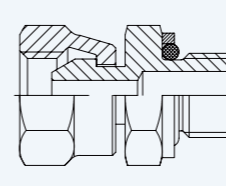
P62



Straight Connector BSPP Swivel Female 60° - BSPP Male + O Ring

**DABP1106Q**

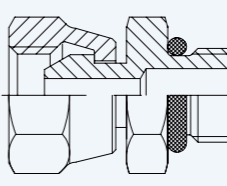
P63



Straight Connector BSPP Swivel Female 60° - BSPP Male + O Ring + Retaining Ring

**DABP11305**

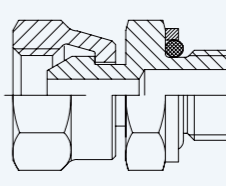
P64



Straight Connector BSP Swivel Female 60° - SAE Male O Ring Boss

**DABP1152Q**

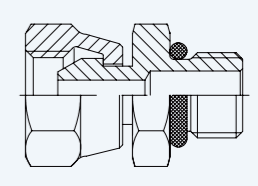
P65



Straight Connector BSPP Swivel Female 60° - Metric Male + O Ring + Retaining Ring

**DABP11525**

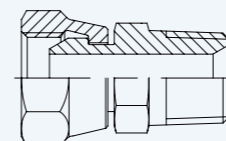
P66



Straight Connector BSPP Swivel Female 60° - Metric Male + O Ring

**DABP1107M**

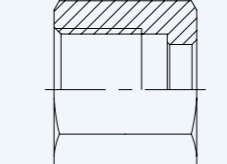
P67



Straight Connector BSPP Swivel Female 60° - BSPT Male 60°

**DABPD0000**

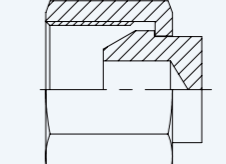
P68



NUT BSPP

**DABP31000**

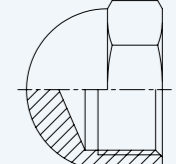
P69



Female Cap BSPP

**DABP31000-C**

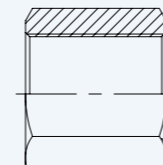
P70



Female Cap BSPP

**DABPF105F**

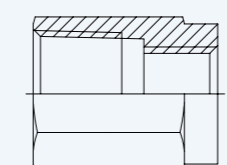
P71



Straight Connector BSPP Female Fixed

**DABPF128F**

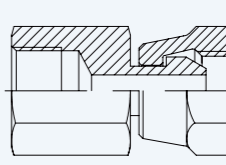
P72



Straight Coupling BSPP Fixed Female - NPTF Fixed Female

**DABPF1081**

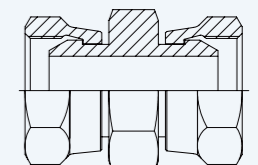
P73



Straight Connector BSPP Fixed Female - BSPP Swivel Female 60°

**DABP11081**

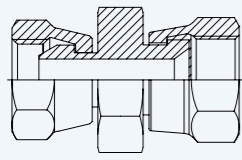
P74



Straight Connector BSPP Swivel Female 60° - BSPP Swivel Female 60°

**DABP11251**

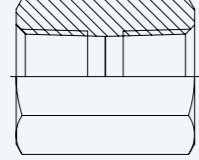
P75



Straight Connector BSPP Swivel Female 60° - JIC Swivel Female 74°

**DABTF107F**

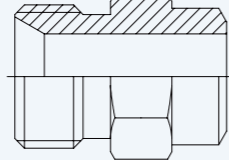
P76



Straight Connector BSPT Female Fixed

**DABPM100S**

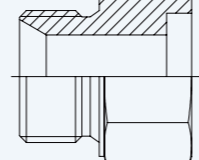
P77



Straight Adaptor BSPP Male 60° - Butt Welding

**DABPM100B**

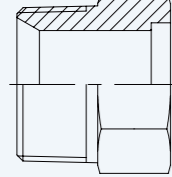
P78



Bonding (socket welding) Connector BSPP Male 60° - Metric / Imperial Tube

**DABTM100B**

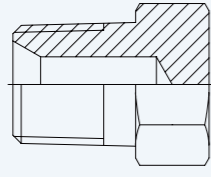
P79



Bonding (socket welding) Connector BSPT Male 60° - Metric / Imperial Tube

**DABTM1000**

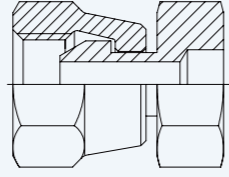
P80



Male Plug BSPT Male 60°

**DABP1100B**

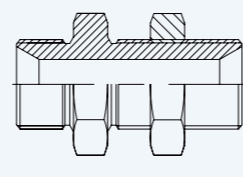
P81



Straight Welding Connector BSPP Swivel Female - Metric/Imperial Tube

**DABPM105T**

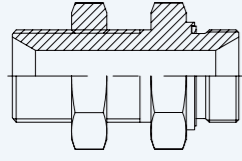
P82



Straight Bulkhead Connector BSPP Male 60° - BSPP Male 60°

**DABPM105T-ED**

P83



Straight Bulkhead Connector BSPP Male 60° ED Seal - BSPP 60° Male

**DABPLN**

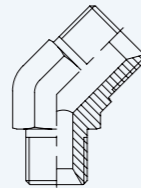
P84



BSPP Bulkhead Nut

**DABPM405M**

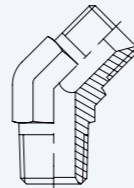
P85



45° Elbow Connector BSPP Male 60° - BSPP 60° Male

**DABPM407M**

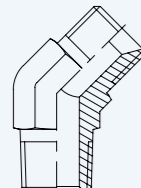
P86



45° Elbow Connector BSPP Male 60° - BSPT Male 60°

**DABPM428M**

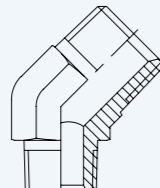
P87



45° Elbow Connector BSPP Male 60° - NPTF Male 60°

**DABTM407M**

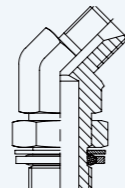
P88



45° Elbow Connector BSPT Male 60° - BSPT Male 60°

**DABPM406Q**

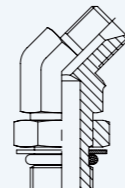
P89



45° Adjustable Elbow BSPP Male 60° - BSPP Male + O Ring + Retaining Ring

**DABPM406S**

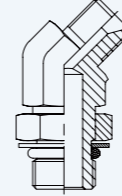
P90



45° Adjustable Elbow BSPP Male 60° - BSPP Male + O Ring

**DABPM4305**

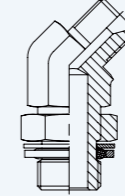
P91



45° Adjustable Elbow BSPP Male 60° - SAE Male + O Ring

**DABPM452Q**

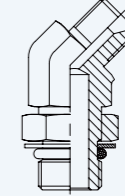
P92



45° Adjustable Elbow BSPP Male 60° - Metric Male + O Ring + Retaining Ring

**DABPM452S**

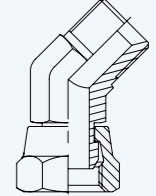
P93



45° Adjustable Elbow BSPP Male 60° - Metric Male + O Ring

**DABPM4081**

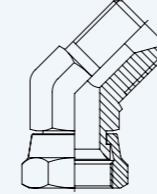
P94



45° Elbow Connector BSPP Male 60° - BSPP Swivel Female 60°

**DABPM4251**

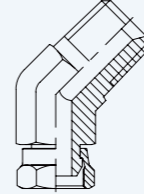
P95



45° Elbow Connector BSPP Male 60° Cone - JIC Swivel Female 74°

**DABTM4081**

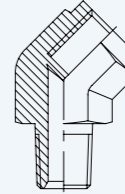
P96



45° Elbow Connector BSPT Male 60° - BSPP Swivel Female 60°

**DABPF428M**

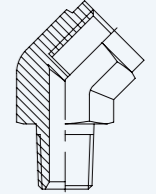
P97



45° Elbow Connector BSPP Fixed Female - NPTF Male 60°

**DABPF407M**

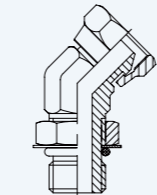
P98



45° Elbow Connector BSPP Fixed Female - BSPT Male

**DABP14305**

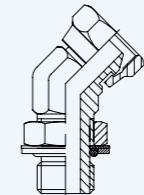
P99



45° Adjustable Elbow BSPP Swivel Female 60° - SAE Male O Ring

**DABP1406Q**

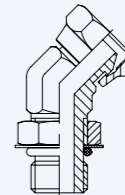
P100



45° Adjustable Elbow BSPP Swivel Female 60° - BSPP Male + O Ring + Retaining Ring

**DABP1452S**

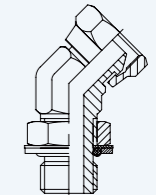
P101



45° Adjustable Elbow BSPP Swivel Female - Metric Male + O Ring

**DABP1452Q**

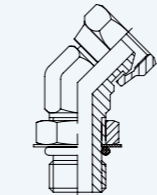
P102



45° Adjustable Elbow BSPP Swivel Female 60° - Metric Male + O Ring + Retaining Ring

**DABP1406S**

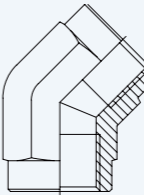
P103



45° Adjustable Elbow BSPP Swivel Female 60° - BSPP Male + O Ring

**DABPF405F**

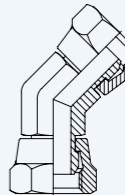
P104



45° Elbow Connector BSPP Fixed Female - BSPP Fixed Female

**DABP14081**

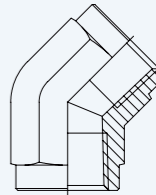
P105



45° Elbow Connector BSPP Swivel Female 60° - BSPP 60° Swivel Female 45°

**DABTF407F**

P106

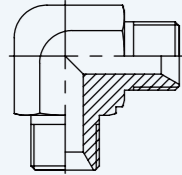


45° Elbow Connector BSPT Fixed Female - BSPT Fixed Female



**DABPM905M**

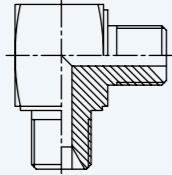
P107



90° Elbow Connector BSPP Male 60° - BSPP 60° Male

**DABPM905M-SQ**

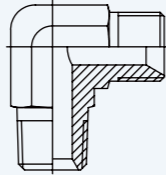
P108



90° Elbow Connector Square BSPP Male 60° - BSPP 60° Male

**DABPM907M**

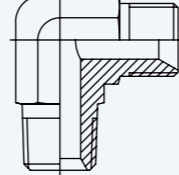
P109



90° Elbow Connector BSPP Male 60° - BSPT Male 60°

**DABPM928M**

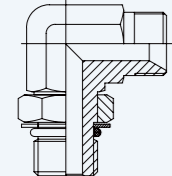
P110



90° Elbow Connector BSPP Male 60° - NPTF Male 60°

**DABPM9065**

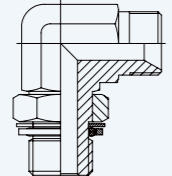
P111



90° Adjustable Elbow BSPP Male 60° - BSPP Male + O Ring

**DABPM906Q**

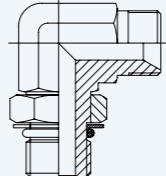
P112



90° Adjustable Elbow BSPP Male 60° - BSPP Male + O Ring + Retaining Ring

**DABPM9305**

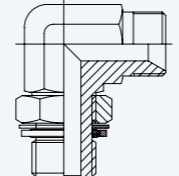
P113



90° Adjustable Elbow BSPP Male 60° - SAE Male O Ring

**DABPM952Q**

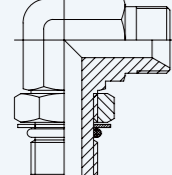
P114



90° Adjustable Elbow BSPP Male 60° - Metric Male + O Ring + Retaining Ring

**DABPM9525**

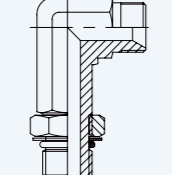
P115



90° Adjustable Elbow BSPP Male 60° - Metric Male + O Ring

**DABPM930J**

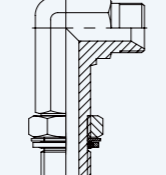
P116



90° Adjustable Long Elbow BSPP Male 60° - SAE Male + O Ring

**DABPM906Y**

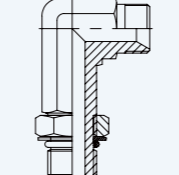
P117



90° Adjustable Long Elbow BSPP Male 60° - BSPP Male + O Ring + Retaining Ring

**DABPM906J**

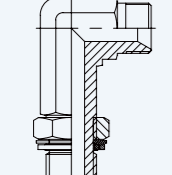
P118



90° Adjustable Long Elbow BSPP Male 60° - BSPP Male + O Ring

**DABPM952Y**

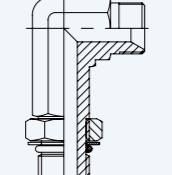
P119



90° Adjustable Long Elbow BSPP Male 60° - Metric Male + O Ring + Retaining Ring

**DABPM952J**

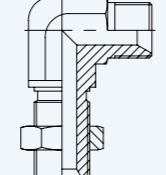
P120



90° Adjustable Long Elbow BSPP Male 60° - Metric Male + O Ring

**DABPM905T**

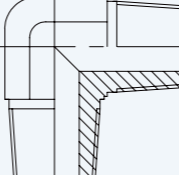
P121



90° Bulkhead Elbow BSPP Male 60° - BSPP 60° Male

**DABTM907M**

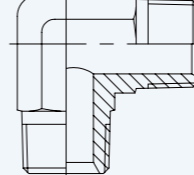
P122



90° Elbow BSPT Male 60° - BSPT Male 60°

**DABTM928M**

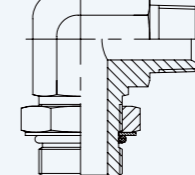
P123



90° Elbow BSPT Male 60° - NPTF Male 60°

**DABTM9305**

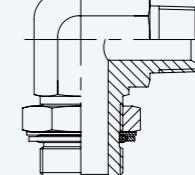
P124



90° Adjustable Elbow BSPT Male 60° - SAE Male + O Ring

**DABTM906Q**

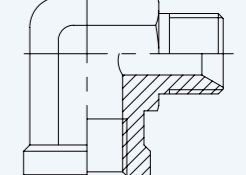
P125



Adjustable 90° Elbow BSPT Male 60° - BSPP Male + O Ring + Retaining Ring

**DABPM905F**

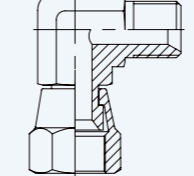
P126



90° Elbow Connector BSPP Male 60° - BSPP Fixed Female

**DABPM925I**

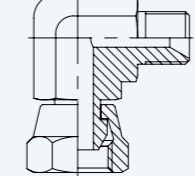
P127



90° Elbow Connector BSPP Male 60° Cone - JIC Swivel Female 74° - BSPP Swivel Female 60°

**DABPM9081**

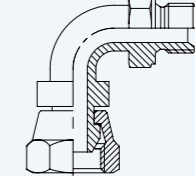
P128



90° Elbow Connector BSPP Male 60° - BSPP Swivel Female 60°

**DABPM9081-B**

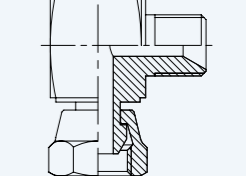
P129



90° Swept Elbow BSPP Male 60° Cone - BSPP Swivel Female 60°

**DABPM9081-SQ**

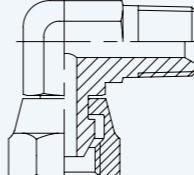
P130



90° Elbow Connector BSPP Male 60° Cone - BSPP Swivel Female 60°

**DABTM9081**

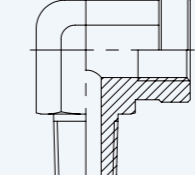
P131



90° Elbow Connector BSPT Male 60° - BSPP Swivel Female 60°

**DABPF907M**

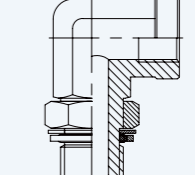
P132



90° Elbow Connector BSPP Fixed Female - BSPT Male

**DABPF906Q**

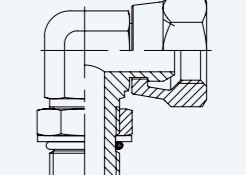
P133



90° Adjustable Elbow BSPP Fixed Female - BSPP Male + O Ring + Retaining Ring

**DABP19065**

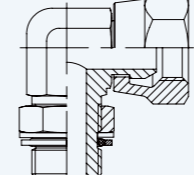
P134



90° Adjustable Elbow BSPP Swivel Female 60° - BSPP Male + O Ring

**DABP1906Q**

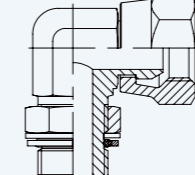
P135



90° Adjustable Elbow BSPP Swivel Female 60° - BSPP Male + O Ring + Retaining Ring

**DABP1952Q**

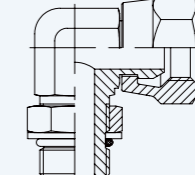
P136



90° Adjustable Elbow BSPP Swivel Female 60° - Metric Male + O Ring + Retaining Ring

**DABP19525**

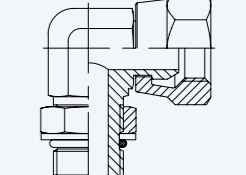
P137



90° Adjustable Elbow BSPP Swivel Female 60° - Metric Male + O Ring

**DABP19305**

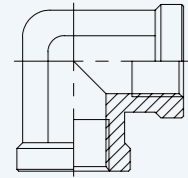
P138



90° Adjustable Elbow BSPP Swivel Female 60° - SAE Male + O Ring

**DABPF905F**

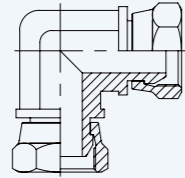
P139



90° Elbow Connector BSPP Fixed Female - BSPP Fixed Female

**DABP19081**

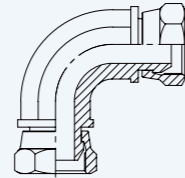
P140



90° Elbow BSPP Swivel Female 60° - BSPP Swivel Female 60°

**DABP19081-B**

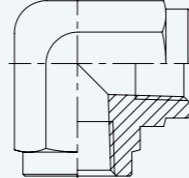
P141



90° Swept Elbow BSPP Swivel Female 60° - BSPP Swivel Female 60°

**DABTF907F**

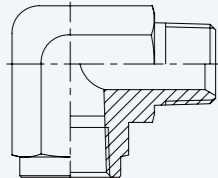
P142



90° Elbow BSPT Fixed Female - BSPT Fixed Female

**DABTM907F**

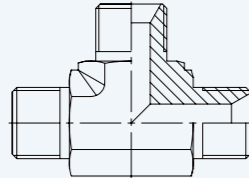
P143



90° Elbow BSPT Male 60° - BSPT Fixed Female

**DABPMT05M**

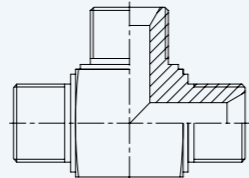
P144



Branch Tee Connector BSPP Male 60° - BSPP Male 60°

**DABPMT05M-SQ**

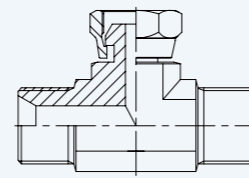
P145



Branch Tee Connector Square BSPP Male 60° - BSPP Male 60°

**DABPMT081**

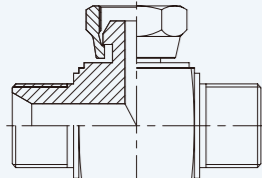
P146



Branch Tee Connector BSPP Male 60° - BSPP Swivel Female 60°

**DABPMT081-SQ**

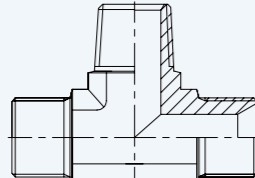
P147



Branch Tee Connector Square BSPP Male 60° - BSPP Swivel Female 60°

**DABPMT07M**

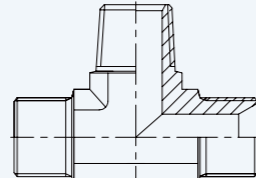
P148



Branch Tee Connector BSPP Male 60° - BSPT Male 60°

**DABPMT28M**

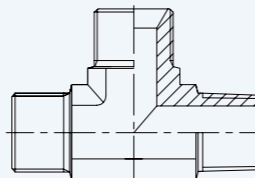
P149



Branch Tee Connector BSPP Male 60° - NPTF Male 60°

**DABPML07M**

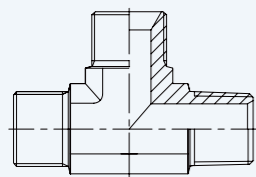
P150



Run Tee Connector BSPP Male 60° - BSPT Male 60°

**DABPML28M**

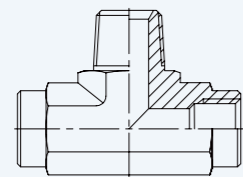
P151



Run Tee Connector BSPP Male 60° - NPTF Male 60°

**DABPFT07M**

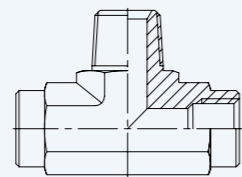
P152



Branch Tee Connector BSPP Fixed Female - BSPT Male 60°

**DABPFT28M**

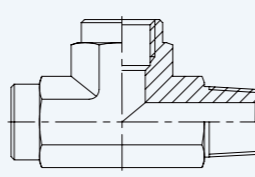
P153



Branch Tee Connector BSPP Fixed Female - NPTF Male 60°

**DABPFL07M**

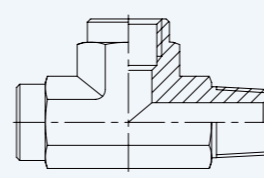
P154



Run Tee Connector BSPP Fixed Female - BSPT Male 60°

**DABPFL28M**

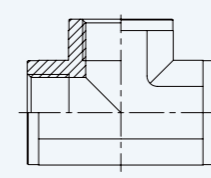
P155



Run Tee Connector BSPP Fixed Female - NPTF Male 60°

**DABPFT05F**

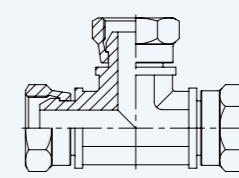
P156



Equal Tee Connector BSPP Fixed Female - BSPP Fixed Female

**DABPIT081**

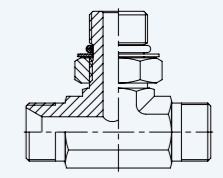
P157



Branch Tee BSPP Swivel Female 60° - BSPP Swivel Female 60°

**DABPMT305**

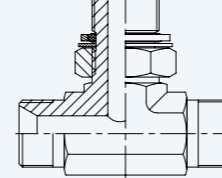
P158



Branch Adjustable Tee BSPP Male 60° - SAE Male + O Ring

**DABPMT06Q**

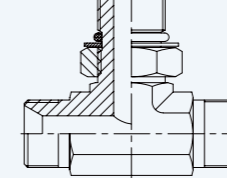
P159



Branch Adjustable Tee BSPP Male 60° - BSPP Male + O Ring

**DABPMT065**

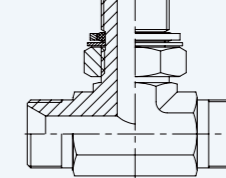
P160



Branch Adjustable Tee BSPP Male 60° - BSPP Male + O Ring

**DABPMT52Q**

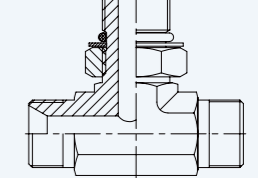
P161



Branch Adjustable Tee BSPP Male 60° - Metric Male + O Ring

**DABPMT525**

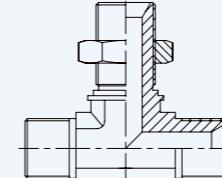
P162



Branch Adjustable Tee BSPP Male 60° - Metric Male + O Ring

**DABPMT05T**

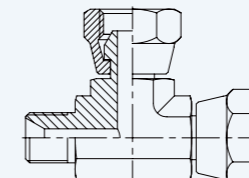
P163



Branch Bulkhead Tee Connector BSPP Male 60° - BSPP Male 60°

**DABPML181**

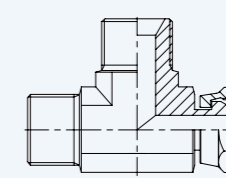
P164



Run Tee Connector BSPP Male 60° - BSPP Swivel Female 60°

**DABPML081**

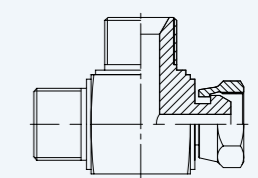
P165



Run Tee Connector BSPP Male 60° - BSPP Swivel Female 60°

**DABPML081-SQ**

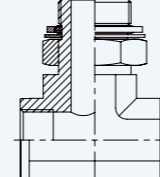
P166



Run Tee Connector Square BSPP Male 60° - BSPP Swivel Female 60°

**DABPFT06Q**

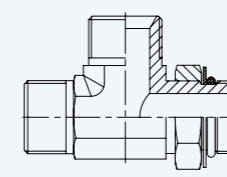
P167



Branch Adjustable Tee Connector BSPP Fixed Female - BSPP Male + O Ring

**DABPML305**

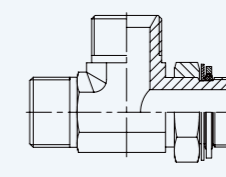
P168



Run Adjustable Tee BSPP Male 60° - SAE Male + O Ring + Retaining Ring

**DABPML06Q**

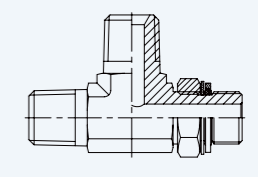
P169



Run Adjustable Tee BSPP Male 60° - BSPP Male + O Ring + Retaining Ring

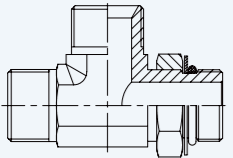
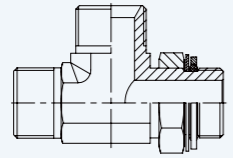
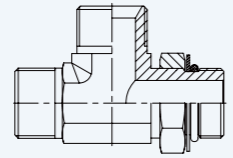
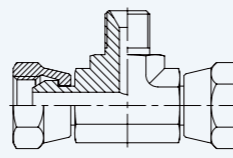
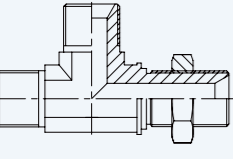
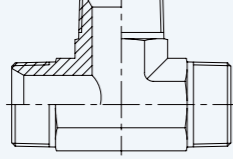
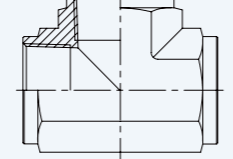
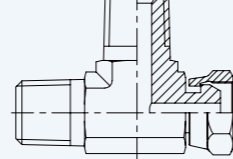
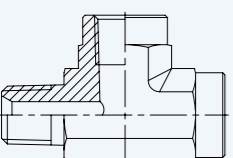
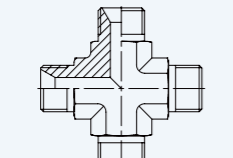
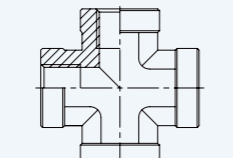
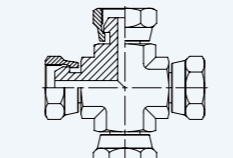
**DABTML06Q**

P170



Run Adjustable Tee BSPT Male 60° - BSPP Male + O Ring + Retaining Ring



<p><b>DABPML065</b> P171</p>  <p>Run Adjustable Tee BSPP Male 60° - BSPP Male + O Ring</p>	<p><b>DABPML52Q</b> P172</p>  <p>Run Adjustable Tee BSPP Male 60° - Metric Male + O Ring + Retaining Ring</p>	<p><b>DABPML525</b> P173</p>  <p>Run Adjustable Tee BSPP Male 60° - Metric Male + O Ring</p>	<p><b>DABPMT181</b> P174</p>  <p>Branch Tee Connector BSPP Swivel Female 60° - BSPP Swivel Female 60° - BSPP Male 60°</p>
<p><b>DABPML05T</b> P175</p>  <p>Run Bulkhead Tee BSPP Male 60° - BSPP Male 60°</p>	<p><b>DABTMT07M</b> P176</p>  <p>Branch Tee Connector BSPT Male 60° - BSPT Male 60°</p>	<p><b>DABTFT07F</b> P177</p>  <p>Tee Connector BSPT Fixed Female - BSPT Fixed Female</p>	<p><b>DABTML081</b> P178</p>  <p>Run Tee Connector BSPT Male 60° - BSPP Swivel Female 60°</p>
<p><b>DABTFL07M</b> P179</p>  <p>Run Tee Adaptor BSPT Fixed Female - BSPT Male 60°</p>	<p><b>DABPMX05M</b> P180</p>  <p>Cross Connector BSPP Male 60° - BSPP Male 60°</p>	<p><b>DABPFX05F</b> P181</p>  <p>Cross Connector BSPP Fixed Female</p>	<p><b>DABPIX081</b> P182</p>  <p>Cross Connector BSPP Swivel Female 60° Cone</p>

**DABPM105M**

Straight Connector BSPP Male 60° Cone – BSPP Male 60° Cone

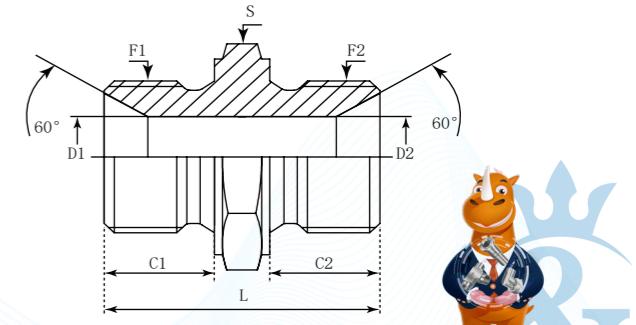
<b>D</b>	<b>A</b>	<b>BP</b>	<b>M</b>	<b>1</b>	<b>05</b>	<b>M</b>
Company	Product Range	Thread Types	Connection Type	Adaptor Structure	Thread Types	Connection Type
<b>DME</b>	Adaptor	BSPP	Male	Straight	BSPP	Male

German Technology Equipment

**SHIELD FLEX**

New-Standard

- DME&JDE Code: **DABPM105M**
- Product Type: **Hydraulic adaptor**
- Standard: **BSP**
- Structure: **Straight**
- Connection Type: **Male x Male**
- Thread Types: **BSPP 60° Cone x BSPP 60° Cone**



PART NUMBER	F1 (Thread)	F2 (Thread)	C1	C2	D1	D2	L	S
#	BSPP	BSPP	mm	mm	mm	mm	mm	mm
DABPM105M-0202	1/8"-28	1/8"-28	9.00	9.00	3.50	3.50	26.50	14.00
DABPM105M-0402	1/4"-19	1/8"-28	11.00	9.00	4.70	3.50	28.00	19.00
DABPM105M-0404	1/4"-19	1/4"-19	11.00	11.00	4.70	4.70	30.00	19.00
DABPM105M-0602	3/8"-19	1/8"-28	12.00	9.00	7.90	3.50	32.00	22.00
DABPM105M-0604	3/8"-19	1/4"-19	12.00	11.00	7.90	4.70	34.00	22.00
DABPM105M-0606	3/8"-19	3/8"-19	12.00	12.00	7.90	7.90	35.00	22.00
DABPM105M-0802	1/2"-14	1/8"-28	14.00	9.00	11.10	3.50	37.00	27.00
DABPM105M-0804	1/2"-14	1/4"-19	14.00	11.00	11.10	4.70	37.00	27.00
DABPM105M-0806	1/2"-14	3/8"-19	14.00	12.00	11.10	7.90	40.00	27.00
DABPM105M-0808	1/2"-14	1/2"-14	14.00	14.00	11.10	11.10	40.00	27.00
DABPM105M-1004	5/8"-14	1/4"-19	16.00	11.00	14.00	4.70	39.00	30.00
DABPM105M-1006	5/8"-14	3/8"-19	16.00	12.00	14.00	7.90	40.00	30.00
DABPM105M-1008	5/8"-14	1/2"-14	16.00	14.00	14.00	11.10	42.00	30.00
DABPM105M-1010	5/8"-14	5/8"-14	16.00	16.00	14.00	14.00	43.00	30.00
DABPM105M-1204	3/4"-14	1/4"-19	16.00	11.00	16.70	4.70	41.00	32.00
DABPM105M-1206	3/4"-14	3/8"-19	16.00	12.00	16.70	7.90	41.00	32.00
DABPM105M-1208	3/4"-14	1/2"-14	16.00	14.00	16.70	11.10	45.00	32.00
DABPM105M-1210	3/4"-14	5/8"-14	16.00	16.00	16.70	14.00	43.00	32.00
DABPM105M-1212	3/4"-14	3/4"-14	16.00	16.00	16.70	16.70	45.00	32.00
DABPM105M-1606	1"-11	3/8"-19	19.00	12.00	22.20	7.90	46.00	41.00
DABPM105M-1608	1"-11	1/2"-14	19.00	14.00	22.20	11.10	48.00	41.00
DABPM105M-1610	1"-11	5/8"-14	19.00	16.00	22.20	14.00	50.00	41.00
DABPM105M-1612	1"-11	3/4"-14	19.00	16.00	22.20	16.70	50.00	41.00
DABPM105M-1616	1"-11	1"-11	19.00	19.00	22.20	22.20	53.00	41.00
DABPM105M-2008	1-1/4"-11	1/2"-14	20.00	14.00	28.60	11.10	53.00	50.00
DABPM105M-2012	1-1/4"-11	3/4"-14	20.00	16.00	28.60	16.70	53.00	50.00
DABPM105M-2016	1-1/4"-11	1"-11	20.00	19.00	28.60	22.20	57.00	50.00
DABPM105M-2020	1-1/4"-11	1-1/4"-11	20.00	20.00	28.60	28.60	57.00	50.00
DABPM105M-2412	1-1/2"-11	3/4"-14	22.00	16.00	33.30	16.70	55.00	55.00
DABPM105M-2416	1-1/2"-11	1"-11	22.00	19.00	33.30	22.20	56.00	55.00
DABPM105M-2420	1-1/2"-11	1-1/4"-11	22.00	20.00	33.30	28.60	60.00	55.00
DABPM105M-2424	1-1/2"-11	1-1/2"-11	22.00	22.00	33.30	33.30	61.00	55.00
DABPM105M-3216	2"-11	1"-11	25.00	19.00	46.00	22.20	60.00	65.00/70.00
DABPM105M-3220	2"-11	1-1/4"-11	25.00	20.00	46.00	28.60	65.00	70.00
DABPM105M-3224	2"-11	1-1/2"-11	25.00	22.00	46.00	33.30	67.00	70.00
DABPM105M-3232	2"-11	2"-11	25.00	25.00	46.00	46.00	70.00	70.00

Certificate:

# DABPM128M

Straight Connector BSPP Male 60° - NPTF Male Large Hexagon

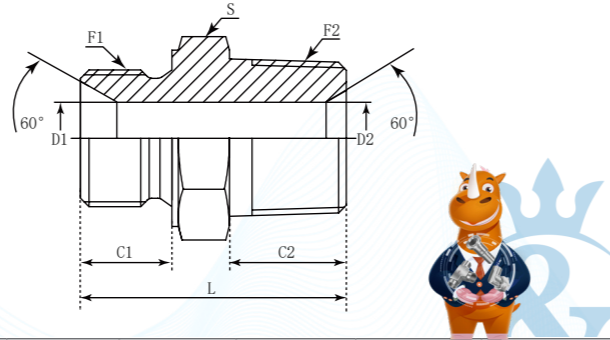
<b>D</b>	<b>A</b>	<b>BP</b>	<b>M</b>	<b>1</b>	<b>28</b>	<b>M</b>
Company	Product Range	Thread Types	Connection Type	Adaptor Structure	Thread Types	Connection Type
<b>DME</b>	Adaptor	BSPP	Male	Straight	NPTF	Male

German Technology Equipment

**SHIELD FLEX**

New-Standard

- DME&JDE Code:** DABPM128M
- Product Type:** Hydraulic adaptor
- Standard:** BSP
- Structure:** Straight
- Connection Type:** Male x Male
- Thread Types:** BSPP 60° x NPTF Large Hexagon
- Other Features:** Large Hexagon



PART NUMBER	F1 (Thread)	F2 (Thread)	C1	C2	D1	D2	L	S
#	BSPP	NPTF	mm	mm	mm	mm	mm	mm
DABPM128M-0202	1/8"-28	1/8"-27	9.00	9.65	3.50	3.50	25.00	14.00
DABPM128M-0204	1/8"-28	1/4"-18	9.00	14.22	3.50	7.14	31.50	17.00
DABPM128M-0402	1/4"-19	1/8"-27	11.00	9.65	4.70	4.70	28.00	19.00
DABPM128M-0404	1/4"-19	1/4"-18	11.00	14.22	4.70	7.14	33.00	19.00
DABPM128M-0406	1/4"-19	3/8"-18	11.00	14.22	4.70	10.31	34.60	19.00
DABPM128M-0408	1/4"-19	1/2"-14	11.00	19.05	4.70	13.49	39.00	22.22
DABPM128M-0604	3/8"-19	1/4"-18	12.00	14.22	7.14	7.14	36.70	22.00
DABPM128M-0606	3/8"-19	3/8"-18	12.00	14.22	7.90	10.31	37.50	22.00
DABPM128M-0608	3/8"-19	1/2"-14	12.00	19.05	7.90	13.49	40.00	22.22
DABPM128M-0806	1/2"-14	3/8"-18	14.00	14.22	10.31	10.31	40.00	27.00
DABPM128M-0808	1/2"-14	1/2"-14	14.00	19.05	11.10	13.49	45.50	27.00
DABPM128M-0812	1/2"-14	3/4"-14	14.00	19.05	11.10	18.26	45.70	28.57
DABPM128M-0816	1/2"-14	1"-11-1/2	14.00	23.88	11.10	22.20	51.50	36.00
DABPM128M-1008	5/8"-14	1/2"-14	16.00	19.05	13.49	13.49	47.00	30.00
DABPM128M-1012	5/8"-14	3/4"-14	16.00	19.05	14.00	18.26	47.00	30.00
DABPM128M-1206	3/4"-14	3/8"-18	16.00	14.22	16.70	10.31	43.00	32.00
DABPM128M-1208	3/4"-14	1/2"-14	16.00	19.05	16.70	13.49	48.00	32.00
DABPM128M-1212	3/4"-14	3/4"-14	16.00	19.05	16.70	16.70	49.00	32.00
DABPM128M-1216	3/4"-14	1"-11-1/2	16.00	23.88	16.70	22.20	53.50	36.00
DABPM128M-1612	1"-11	3/4"-14	19.00	19.05	22.20	18.26	52.00	41.00
DABPM128M-1616	1"-11	1"-11-1/2	19.00	23.88	22.20	22.20	57.00	41.00
DABPM128M-1620	1"-11	1-1/4"-11-1/2	19.00	24.64	22.20	31.75	58.50	46.00
DABPM128M-2016	1-1/4"-11	1"-11-1/2	20.00	23.88	28.60	23.83	60.00	50.00
DABPM128M-2020	1-1/4"-11	1-1/4"-11-1/2	20.00	24.64	28.60	31.75	59.50	50.00
DABPM128M-2024	1-1/4"-11	1-1/2"-11-1/2	20.00	25.40	28.60	38.10	62.00	50.80
DABPM128M-2420	1-1/2"-11	1-1/4"-11-1/2	22.00	24.64	31.80	31.75	63.50	55.00
DABPM128M-2424	1-1/2"-11	1-1/2"-11-1/2	22.00	25.40	33.30	38.10	64.00	55.00
DABPM128M-2432	1-1/2"-11	2"-11-1/2	22.00	26.16	33.30	49.23	66.00	63.50/65.00
DABPM128M-3224	2"-11	1 1/2"-11-1/2	25.00	25.40	46.00	38.10	68.00	70.00

# DABPM152M

Straight Connector BSPP Male 60° Cone-Metric Male 60°Cone

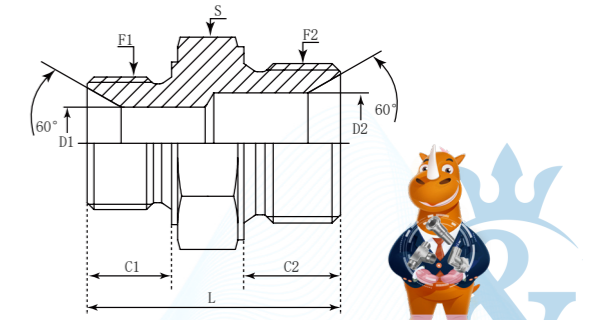
<b>D</b>	<b>A</b>	<b>BP</b>	<b>M</b>	<b>1</b>	<b>52</b>	<b>M</b>
Company	Product Range	Thread Types	Connection Type	Adaptor Structure	Thread Types	Connection Type
<b>DME</b>	Adaptor	BSPP	Male	Straight	Metric	Male

German Technology Equipment

**SHIELD FLEX**

New-Standard

- DME&JDE Code:** DABPM152M
- Product Type:** Hydraulic adaptor
- Standard:** BSP
- Structure:** Straight
- Connection Type:** Male x Male
- Thread Types:** BSPP 60° Cone x Metric 60° Cone



PART NUMBER	F1 (Thread)	F2 (Thread)	C1	C2	D1	D2	L	S
#	BSPP	Metric	mm	mm	mm	mm	mm	mm
DABPM152M-0210	1/8"-28	M10X1	9.00	8.00	3.50	3.50	26.00	14.00
DABPM152M-0212	1/8"-28	M12X1.5	9.00	12.00	3.50	3.50	30.50	17.00
DABPM152M-0214	1/8"-28	M14X1.5	9.00	12.00	3.50	6.00	31.00	19.00
DABPM152M-0410	1/4"-19	M10X1	11.00	8.00	3.50	3.50	28.50	19.00
DABPM152M-0412	1/4"-19	M12X1.5	11.00	12.00	4.00	4.00	33.00	19.00
DABPM152M-0414	1/4"-19	M14X1.5	11.00	12.00	4.70	6.00	33.00	19.00
DABPM152M-0416	1/4"-19	M16X1.5	11.00	12.00	4.70	8.00	33.50	22.00
DABPM152M-0418	1/4"-19	M18X1.5	11.00	12.00	4.70	10.00	35.00	24.00
DABPM152M-0420	1/4"-19	M20X1.5	11.00	14.00	4.70	12.00	37.50	27.00
DABPM152M-0422	1/4"-19	M22X1.5	11.00	14.00	4.70	14.10	38.00	27.00
DABPM152M-0612	3/8"-19	M12X1.5	12.00	11.00	7.90	4.00	34.50	22.00
DABPM152M-0614	3/8"-19	M14X1.5	12.00	12.00	7.90	6.00	34.50	22.00
DABPM152M-0616	3/8"-19	M16X1.5	12.00	12.00	7.90	7.90	34.50	22.00
DABPM152M-0618	3/8"-19	M18X1.5	12.00	12.00	7.90	10.00	36.00	24.00
DABPM152M-0620	3/8"-19	M20X1.5	12.00	14.00	7.90	12.00	38.50	27.00
DABPM152M-0622	3/8"-19	M22X1.5	12.00	14.00	7.90	14.10	38.50	27.00
DABPM152M-0812	1/2"-14	M12X1.5	14.00	11.00	11.10	4.00	37.00	27.00
DABPM152M-0814	1/2"-14	M14X1.5	14.00	12.00	11.10	6.00	38.00	27.00
DABPM152M-0816	1/2"-14	M16X1.5	14.00	12.00	11.10	8.00	38.00	27.00
DABPM152M-0818	1/2"-14	M18X1.5	14.00	12.00	11.10	10.00	38.50	27.00
DABPM152M-0820	1/2"-14	M20X1.5	14.00	14.00	11.10	12.00	40.50	27.00
DABPM152M-0822	1/2"-14	M22X1.5	14.00	14.00	11.10	14.10	41.00	27.00
DABPM152M-0824	1/2"-14	M24X1.5	14.00	14.00	11.10	15.50	41.00	30.00
DABPM152M-0826	1/2"-14	M26X1.5	14.00	16.00	11.10	15.00	45.00	32.00
DABPM152M-1022	5/8"-14	M22X1.5	16.00	14.00	14.00	14.00	43.00	30.00
DABPM152M-1216	3/4"-14	M16X1.5	16.00	12.00	16.70	8.00	43.00	32.00
DABPM152M-1218	3/4"-14	M18X1.5	16.00	12.00	16.70	10.00	43.00	32.00
DABPM152M-1220	3/4"-14	M20X1.5	16.00	14.00	16.70	12.00	45.00	32.00
DABPM152M-1222	3/4"-14	M22X1.5	16.00	14.00	16.70	14.10	42.00	32.00
DABPM152M-1224	3/4"-14	M24X1.5	16.00	14.00	15.50	15.50	45.00	32.00
DABPM152M-1230	3/4"-14	M30X1.5	16.00	18.00	16.70	21.50	48.50	36.00
DABPM152M-1618	1"-11	M18X1.5	19.00	12.00	22.20	10.00	47.00	41.00
DABPM152M-1622	1"-11	M22X1.5	19.00	14.00	22.20	14.10	49.00	41.00
DABPM152M-1626	1"-11	M26X1.5	19.00	16.00	22.20	15.00	49.00	41.00
DABPM152M-1628	1"-11	M28X1.5	19.00	16.00	22.20	16.00	50.50	41.00
DABPM152M-1630	1"-11	M30X1.5	19.00	18.00	21.50	21.50	51.50	41.00
DABPM152M-1636	1"-11	M36X1.5	19.00	18.00	22.20	25.00	51.50	41.00
DABPM152M-1638	1"-11	M38X1.5	19.00	18.00	22.20	25.00	54.00	46.00
DABPM152M-2030	1-1/4"-11	M30X1.5	20.00	18.00	28.60	21.50	55.00	50.00
DABPM152M-2038	1-1/4"-11	M38X1.5	20.00	18.00	25.00	25.00	55.00	50.00
DABPM152M-2438	1-1/2"-11	M38X1.5	22.00	18.00	33.30	25.00	59.00	55.00
DABPM152M-2445	1-1/2"-11	M45X1.5	22.00	20.00	32.00	32.00	60.00	55.00
DABPM152M-3245	2"-11	M45X1.5	25.00	20.00	46.00	32.00	66.00	70.00
DABPM152M-3252	2"-11	M52X1.5	25.00	20.00	46.00	38.00	66.00	70.00





## DABPM107M-LH

Straight Connector BSPP Male 60° Cone – BSPT Male 60° Large Hexagon

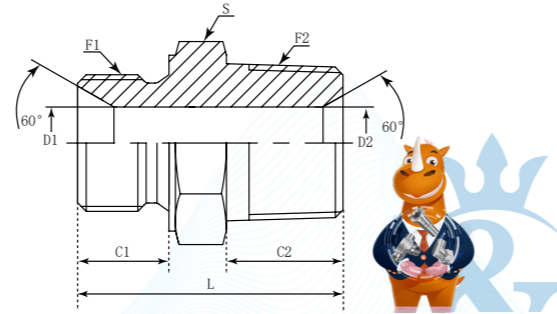
<b>D</b>	<b>A</b>	<b>BP</b>	<b>M</b>	<b>1</b>	<b>07</b>	<b>M</b>	<b>LH</b>
Company	Product Range	Thread Types	Connection Type	Adaptor Structure	Thread Types	Connection Type	Other Features
<b>DME</b>	Adaptor	BSPP	Male	Straight	BSPT	Male	Large Hexagon

German Technology Equipment

**SHIELD FLEX**

New-Standard

- DME&JDE Code: **DABPM107M-LH**
- Product Type: **hydraulic adaptor**
- Standard: **BSP**
- Structure: **Straight**
- Connection Type: **Male x Male**
- Thread Types: **BSPP 60° Cone x BSPT 60° Cone Large Hexagon**
- Other Features: **Large Hexagon**



PART NUMBER	F1 (Thread)	F2 (Thread)	C1	C2	D1	D2	L	S
#	BSPP	BSPT	mm	mm	mm	mm	mm	mm
DABPM107M-LH-0202	1/8"-28	1/8"-28	9.00	10.00	3.50	3.50	26.50	14.00
DABPM107M-LH-0204	1/8"-28	1/4"-19	9.00	14.00	3.50	6.00	30.50	14.00
DABPM107M-LH-0402	1/4"-19	1/8"-28	11.00	10.00	4.50	4.50	29.50	19.00
DABPM107M-LH-0404	1/4"-19	1/4"-19	11.00	14.00	4.70	6.00	32.50	19.00
DABPM107M-LH-0406	1/4"-19	3/8"-19	11.00	15.00	4.70	9.00	33.50	19.00
DABPM107M-LH-0408	1/4"-19	1/2"-14	11.00	19.00	4.70	12.00	39.00	22.00
DABPM107M-LH-0412	1/4"-19	3/4"-14	11.00	20.00	4.70	16.70	40.00	27.00
DABPM107M-LH-0602	3/8"-19	1/8"-28	12.00	10.00	7.90	4.50	30.00	22.00
DABPM107M-LH-0604	3/8"-19	1/4"-19	12.00	14.00	7.90	6.00	35.00	22.00
DABPM107M-LH-0606	3/8"-19	3/8"-19	12.00	15.00	7.90	7.90	36.00	22.00
DABPM107M-LH-0608	3/8"-19	1/2"-14	12.00	19.00	7.90	12.00	39.00	22.00
DABPM107M-LH-0612	3/8"-19	3/4"-14	12.00	20.00	7.90	16.70	41.00	27.00
DABPM107M-LH-0804	1/2"-14	1/4"-19	14.00	14.00	11.10	6.00	39.00	27.00
DABPM107M-LH-0806	1/2"-14	3/8"-19	14.00	15.00	11.10	9.00	40.00	27.00
DABPM107M-LH-0808	1/2"-14	1/2"-14	14.00	19.00	11.10	11.10	44.00	27.00
DABPM107M-LH-0810	1/2"-14	5/8"-14	14.00	19.00	11.10	14.00	44.00	27.00
DABPM107M-LH-0812	1/2"-14	3/4"-14	14.00	20.00	11.10	16.70	45.00	30.00
DABPM107M-LH-0816	1/2"-14	1"-11	14.00	24.00	11.10	22.20	50.50	36.00

PART NUMBER	F1 (Thread)	F2 (Thread)	C1	C2	D1	D2	L	S
#	BSPP	BSPT	mm	mm	mm	mm	mm	mm
DABPM107M-LH-1006	5/8"-14	3/8"-19	16.00	15.00	14.00	9.00	42.00	30.00
DABPM107M-LH-1008	5/8"-14	1/2"-14	16.00	19.00	14.00	12.00	46.00	30.00
DABPM107M-LH-1010	5/8"-14	5/8"-14	16.00	19.00	14.00	14.00	47.00	30.00
DABPM107M-LH-1012	5/8"-14	3/4"-14	16.00	20.00	14.00	16.70	48.00	30.00
DABPM107M-LH-1208	3/4"-14	1/2"-14	16.00	19.00	16.70	12.00	47.00	32.00
DABPM107M-LH-1212	3/4"-14	3/4"-14	16.00	20.00	16.70	16.70	45.00	32.00
DABPM107M-LH-1216	3/4"-14	1"-11	16.00	24.00	16.70	22.20	53.00	36.00
DABPM107M-LH-1220	3/4"-14	1-1/4"-11	16.00	25.00	16.70	28.60	56.00	46.00
DABPM107M-LH-1608	1"-11	1/2"-14	19.00	19.00	22.20	12.00	52.00	41.00
DABPM107M-LH-1612	1"-11	3/4"-14	19.00	20.00	22.20	16.70	53.00	41.00
DABPM107M-LH-1616	1"-11	1"-11	19.00	24.00	22.20	22.20	57.00	41.00
DABPM107M-LH-1620	1"-11	1-1/4"-11	19.00	25.00	22.20	28.60	58.00	46.00
DABPM107M-LH-1624	1"-11	1-1/2"-11	19.00	25.00	22.20	33.30	61.00	50.00
DABPM107M-LH-2012	1-1/4"-11	3/4"-11	20.00	20.00	28.60	16.70	56.00	50.00
DABPM107M-LH-2016	1-1/4"-11	1"-11	20.00	24.00	28.60	22.20	60.00	50.00
DABPM107M-LH-2020	1-1/4"-11	1-1/4"-11	20.00	25.00	28.60	28.60	61.00	50.00
DABPM107M-LH-2024	1-1/4"-11	1-1/2"-11	20.00	25.00	28.60	33.30	62.00	50.00
DABPM107M-LH-2416	1-1/2"-11	1"-11	22.00	24.00	33.30	22.20	62.00	55.00
DABPM107M-LH-2420	1-1/2"-11	1-1/4"-11	22.00	25.00	33.30	28.60	63.00	55.00
DABPM107M-LH-2424	1-1/2"-11	1-1/2"-11	22.00	25.00	33.30	33.30	63.00	55.00
DABPM107M-LH-2432	1-1/2"-11	2"-11	22.00	30.00	33.30	46.00	70.00	65.00
DABPM107M-LH-3220	2"-11	1-1/4"-11	25.00	25.00	46.00	28.60	70.00	70.00
DABPM107M-LH-3224	2"-11	1-1/2"-11	25.00	25.00	46.00	33.30	68.50	70.00
DABPM107M-LH-3232	2"-11	2"-11	25.00	30.00	46.00	46.00	72.00	70.00
DABPM107M-LH-4040	2-1/2"-11	2-1/2"-11	32.00	36.00	58.00	58.00	84.00	90.00



## DABPM152JM

Straight Connector BSPP Male 60° Cone - JIS Metric Male 60° Cone

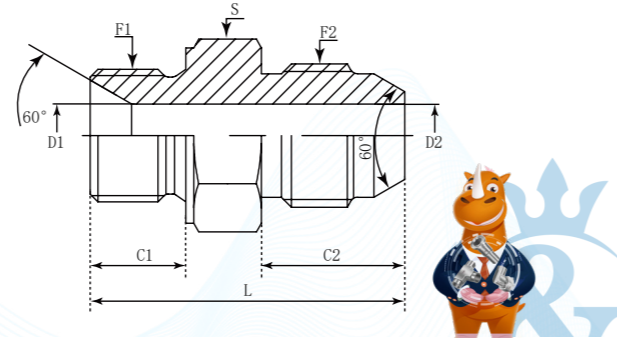
<b>D</b>	<b>A</b>	<b>BP</b>	<b>M</b>	<b>1</b>	<b>52J</b>	<b>M</b>
Company	Product Range	Thread Types	Connection Type	Adaptor Structure	Thread Types	Connection Type
<b>DME</b>	Adaptor	BSPP	Male	Straight	JIS Metric	Male

German Technology Equipment

**SHIELD FLEX**

New-Standard

- DME&JDE Code: **DABPM152JM**
- Product Type: **Hydraulic adaptor**
- Standard: **BSP**
- Structure: **Straight**
- Connection Type: **Male x Male**
- Thread Types: **BSPP 60° Cone x JIS Metric 60° Cone**



PART NUMBER	F1 (Thread)	F2 (Thread)	C1	C2	D1	D2	L	S
#	BSPP	Metric	mm	mm	mm	mm	mm	mm
DABPM152JM-0414	1/4"-19	M14X1.5	11.00	17.00	4.70	4.70	35.00	19.00
DABPM152JM-0418	1/4"-19	M18X1.5	11.00	18.00	4.70	7.90	38.00	22.00
DABPM152JM-0618	3/8"-19	M18X1.5	12.00	18.00	7.90	7.90	39.50	22.00
DABPM152JM-0622	3/8"-19	M22X1.5	12.00	20.00	7.90	12.00	41.00	24.00
DABPM152JM-0818	1/2"-14	M18X1.5	14.00	18.00	11.10	7.90	44.00	27.00
DABPM152JM-0822	1/2"-14	M22X1.5	14.00	20.00	11.10	11.10	44.00	27.00
DABPM152JM-1024	5/8"-14	M24X1.5	16.00	21.50	14.00	14.00	48.00	30.00
DABPM152JM-1230	3/4"-14	M30X1.5	16.00	26.00	16.70	16.70	52.00	32.00
DABPM152JM-1633	1"-11	M33X1.5	19.00	30.00	22.20	19.00	60.00	41.00



## DABPM107M

Straight Connector BSPP Male 60° - BSPT Male 60°

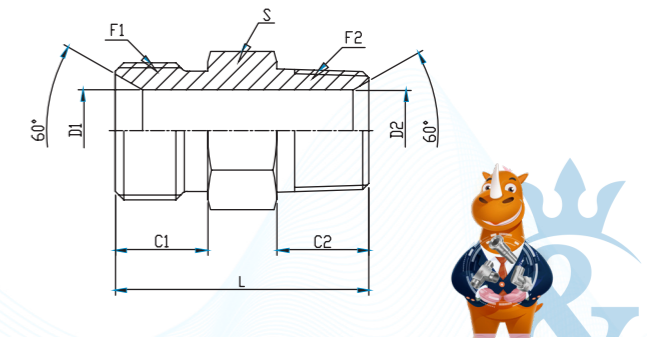
<b>D</b>	<b>A</b>	<b>BP</b>	<b>M</b>	<b>1</b>	<b>07</b>	<b>M</b>
Company	Product Range	Thread Types	Connection Type	Adaptor Structure	Thread Types	Connection Type
<b>DME</b>	Adaptor	BSPP	Male	Straight	BSPT	Male

German Technology Equipment

**SHIELD FLEX**

New-Standard

- DME&JDE Code: **DABPM107M**
- Product Type: **Hydraulic adaptor**
- Standard: **BSP**
- Structure: **Straight**
- Connection Type: **Male x Male**
- Thread Types: **BSPP 60° Cone x BSPT 60° Cone**



PART NUMBER	F1 (Thread)	F2 (Thread)	C1	C2	D1	D2	L	S
#	BSPP	BSPT	mm	mm	mm	mm	mm	mm
DABPM107M-0202	1/8"-28	1/8"-28	8.00	10.00	3.50	3.50	24.00	12.00
DABPM107M-0402	1/4"-19	1/8"-28	11.00	10.00	4.50	4.50	29.00	14.00
DABPM107M-0404	1/4"-19	1/4"-19	11.00	14.00	4.70	6.00	33.00	14.00
DABPM107M-0406	1/4"-19	3/8"-19	11.00	15.00	4.70	9.00	33.00	17.00
DABPM107M-0606	3/8"-19	3/8"-19	12.00	15.00	7.90	7.90	35.00	17.00
DABPM107M-0608	3/8"-19	1/2"-14	12.00	19.00	7.90	12.00	39.00	22.00
DABPM107M-0612	3/8"-19	3/4"-14	12.00	20.00	7.90	16.70	41.00	27.00
DABPM107M-0804	1/2"-14	1/4"-19	14.00	14.00	11.10	6.00	37.00	22.00
DABPM107M-0808	1/2"-14	1/2"-14	14.00	19.00	11.10	11.10	44.00	22.00
DABPM107M-1208	3/4"-14	1/2"-14	16.00	19.00	16.70	12.00	45.00	27.00
DABPM107M-1212	3/4"-14	3/4"-14	16.00	20.00	16.70	16.70	46.00	27.00
DABPM107M-1216	3/4"-14	1"-11	16.00	24.00	16.70	22.20	51.00	36.00
DABPM107M-1616	1"-11	1"-11	19.00	24.00	22.20	22.20	56.00	36.00
DABPM107M-2020	1-1/4"-11	1-1/4"-11	20.00	25.00	28.60	28.60	57.00	46.00
DABPM107M-2424	1-1/2"-11	1-1/2"-11	22.00	25.00	33.30	33.30	62.00	50.00
DABPM107M-3232	2"-11	2"-11	25.00	30.00	46.00	46.00	70.00	65.00





## DABPM1305

Straight Connector BSPP Male 60° - SAE Male + O Ring

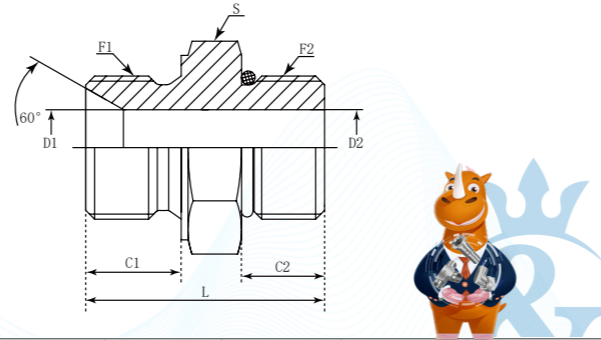
<b>D</b>	<b>A</b>	<b>BP</b>	<b>M</b>	<b>1</b>	<b>30</b>	<b>5</b>
Company	Product Range	Thread Types	Connection Type	Adaptor Structure	Thread Types	Connection Type
<b>DME</b>	Adaptor	BSPP	Male	Straight	SAE	Male + O Ring

German Technology Equipment

**SHIELD FLEX**

New-Standard

- DME&JDE Code: **DABPM1305**
- Product Type: **Hydraulic adaptor**
- Standard: **BSP**
- Structure: **Straight**
- Connection Type: **Male x Male**
- Thread Types: **BSPP 60° x SAE + O Ring**
- Sealing Method: **O Ring**



PART NUMBER	F1 (Thread)	F2 (Thread)	C1	C2	D1	D2	L	S
#	BSPP	BSPP	mm	mm	mm	mm	mm	mm
DABPM1305-0404	1/4"-19	7/16"-20	11.00	9.14	4.37	4.37	29.50	19.00
DABPM1305-0406	1/4"-19	9/16"-18	11.00	9.93	4.70	7.54	30.00	19.00
DABPM1305-0408	1/4"-19	3/4"-16	11.00	11.13	4.70	9.93	32.00	22.00
DABPM1305-0604	3/8"-19	7/16"-20	12.00	9.14	7.90	4.37	32.80	22.00
DABPM1305-0606	3/8"-19	9/16"-18	12.00	9.93	7.50	7.54	33.50	22.00
DABPM1305-0608	3/8"-19	3/4"-16	12.00	11.13	7.90	9.93	33.00	22.00
DABPM1305-0610	3/8"-19	7/8"-14	12.00	12.70	7.90	12.29	36.50	27.00
DABPM1305-0612	3/8"-19	1-1/16"-12	12.00	15.09	7.90	15.47	40.00	32.00
DABPM1305-0808	1/2"-14	3/4"-16	14.00	11.13	11.10	9.93	40.00	27.00
DABPM1305-0810	1/2"-14	7/8"-14	14.00	12.70	11.10	12.29	38.70	27.00
DABPM1305-0812	1/2"-14	1-1/16"-12	14.00	15.09	11.10	15.47	42.00	32.00
DABPM1305-1010	5/8"-14	7/8"-14	16.00	12.70	12.29	12.29	42.50	30.00
DABPM1305-1012	5/8"-14	1-1/16"-12	16.00	15.09	14.00	15.47	43.50	32.00
DABPM1305-1208	3/4"-14	3/4"-16	16.00	11.13	16.70	9.93	43.80	32.00
DABPM1305-1210	3/4"-14	7/8"-14	16.00	12.70	16.70	12.29	43.50	32.00
DABPM1305-1212	3/4"-14	1-1/16"-12	16.00	15.09	15.47	15.47	44.50	32.00
DABPM1305-1216	3/4"-14	1-5/16"-12	16.00	15.09	16.70	21.44	46.00	41.00
DABPM1305-1612	1"-11	1-1/16"-12	19.00	15.09	22.20	15.47	51.00	41.00
DABPM1305-1616	1"-11	1-5/16"-12	19.00	15.09	21.44	21.44	46.10	41.00
DABPM1305-1620	1"-11	1-5/8"-12	19.00	15.09	22.20	27.38	50.00	50.00
DABPM1305-2016	1-1/4"-11	1-5/16"-12	20.00	15.09	28.60	21.44	53.50	50.00
DABPM1305-2020	1-1/4"-11	1-5/8"-12	20.00	15.09	27.38	27.38	54.50	50.00
DABPM1305-2024	1-1/4"-11	1-7/8"-12	20.00	15.09	28.60	33.30	52.00	53.97

## DABPM106Q

Straight Connector BSPP Male 60° - BSPP Male + O Ring + Retaining Ring

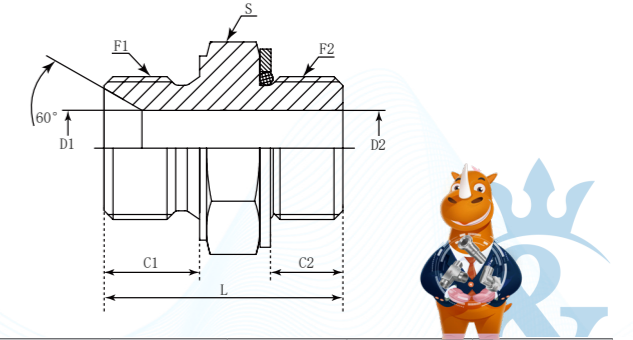
<b>D</b>	<b>A</b>	<b>BP</b>	<b>M</b>	<b>1</b>	<b>06</b>	<b>0</b>
Company	Product Range	Thread Types	Connection Type	Adaptor Structure	Thread Types	Connection Type
<b>DME</b>	Adaptor	BSPP	Male	Straight	BPSS	Male + O Ring + Retaining Ring

German Technology Equipment

**SHIELD FLEX**

New-Standard

- DME&JDE Code: **DABPM106Q**
- Product Type: **Hydraulic adaptor**
- Standard: **BSP**
- Structure: **Straight**
- Connection Type: **Male x Male**
- Thread Types: **BSPP 60° Cone x BSPP**
- Sealing Method: **Male + O Ring + Retaining Ring**



PART NUMBER	F1 (Thread)	F2 (Thread)	C1	C2	D1	D2	L	S
#	BSPP	NPTF	mm	mm	mm	mm	mm	mm
DABPM106Q-0202	1/8"-28	1/8"-28	9.00	7.60	3.50	3.50	23.50	14.00
DABPM106Q-0404	1/4"-19	1/4"-19	11.00	11.20	4.70	4.70	31.00	19.00
DABPM106Q-0606	3/8"-19	3/8"-19	12.00	11.20	7.90	7.90	34.00	22.00
DABPM106Q-0808	1/2"-14	1/2"-14	14.00	14.50	11.10	11.10	40.00	27.00
DABPM106Q-1010	5/8"-14	5/8"-15	16.00	14.50	12.30	12.30	40.00	32.00
DABPM106Q-1212	3/4"-14	3/4"-14	16.00	14.50	15.50	15.50	44.00	32.00
DABPM106Q-1616	1"-11	1"-11	19.00	18.60	21.50	21.50	55.00	46.00
DABPM106Q-2020	1-1/4"-11	1-1/4"-11	20.00	18.60	27.50	27.50	53.00	50.00
DABPM106Q-2424	1-1/2"-11	1-1/2"-11	22.00	18.60	33.00	33.00	63.00	55.00



## DABPM152Q

Straight Connector BSPP Male 60° – Metric Male + O Ring + Retaining Ring

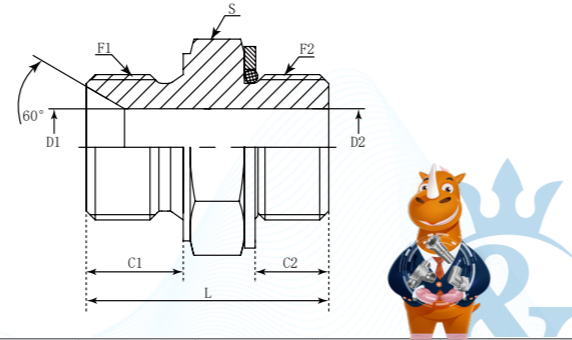
<b>D</b>	<b>A</b>	<b>BP</b>	<b>M</b>	<b>1</b>	<b>52</b>	<b>0</b>
Company	Product Range	Thread Types	Connection Type	Adaptor Structure	Thread Types	Connection Type
<b>DME</b>	Adaptor	BSPP	Male	Straight	Metric	Male + O Ring + Retaining Ring

German Technology Equipment

**SHIELD FLEX**

New-Standard

- DME&JDE Code: **DABPM152Q**
- Product Type: **Hydraulic adaptor**
- Standard: **BSP**
- Structure: **Straight**
- Connection Type: **Male x Male**
- Thread Types: **BSPP 60° x Metric**
- Sealing Method: **O Ring + Retaining Ring**



PART NUMBER	F1 (Thread)	F2 (Thread)	C1	C2	D1	D2	L	S
#	BSPP	BSPP	mm	mm	mm	mm	mm	mm
DABPM152Q-0210	1/8"-28	M10X1	9.00	9.00	3.50	3.50	26.00	14.00
DABPM152Q-0212	1/8"-28	M12X1.5	9.00	11.00	3.50	6.00	28.00	17.00
DABPM152Q-0412	1/4"-19	M12X1.5	11.00	11.00	4.70	4.70	31.00	19.00
DABPM152Q-0416	1/4"-19	M16X1.5	11.00	12.00	4.70	7.00	32.50	19.00
DABPM152Q-0618	3/8"-19	M18X1.5	12.00	12.50	7.90	10.00	35.00	24.00
DABPM152Q-0820	1/2"-14	M20X1.5	14.00	12.50	11.10	11.10	38.00	27.00
DABPM152Q-1226	3/4"-14	M26X1.5	16.00	16.00	16.70	16.70	42.50	32.00
DABPM152Q-1627	1"-11	M27X2	19.00	16.00	22.20	18.00	50.00	41.00
DABPM152Q-2042	1-1/4"-11	M42X2	20.00	16.00	28.60	28.60	53.00	50.00
DABPM152Q-2448	1-1/2"-11	M48X2	22.00	17.50	33.30	33.30	56.50	55.00

## DABPM1525

Straight Connector BSPP Male 60° – Metric Male + O Ring

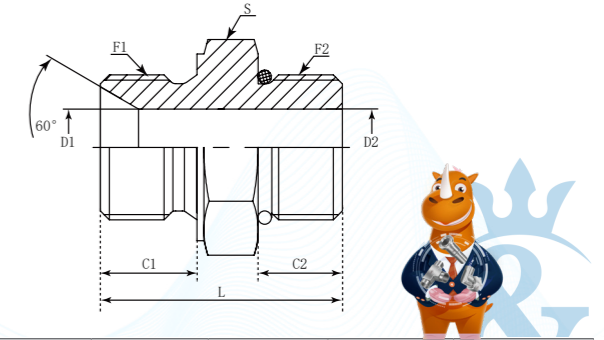
<b>D</b>	<b>A</b>	<b>BP</b>	<b>M</b>	<b>1</b>	<b>52</b>	<b>5</b>
Company	Product Range	Thread Types	Connection Type	Adaptor Structure	Thread Types	Connection Type
<b>DME</b>	Adaptor	BSPP	Male	Straight	Metric	Male + O Ring

German Technology Equipment

**SHIELD FLEX**

New-Standard

- DME&JDE Code: **DABPM1525**
- Product Type: **Hydraulic adaptor**
- Standard: **BSP**
- Structure: **Straight**
- Connection Type: **Male x Male**
- Thread Types: **BSPP 60° x Metric**
- Sealing Method: **Male + O Ring**



PART NUMBER	F1 (Thread)	F2 (Thread)	C1	C2	D1	D2	L	S
#	BSPP	NPTF	mm	mm	mm	mm	mm	mm
DABPM1525-0210	1/8"-28	M10X1	9.00	9.00	3.50	3.50	26.00	14.00
DABPM1525-0212	1/8"-28	M12X1.5	9.00	11.00	3.50	6.00	28.00	17.00
DABPM1525-0412	1/4"-19	M12X1.5	11.00	11.00	4.70	4.70	31.00	19.00
DABPM1525-0416	1/4"-19	M16X1.5	11.00	12.00	4.70	7.00	32.50	19.00
DABPM1525-0618	3/8"-19	M18X1.5	12.00	12.50	7.90	10.00	35.00	24.00
DABPM1525-0820	1/2"-14	M20X1.5	14.00	12.50	11.10	11.10	38.00	27.00
DABPM1525-1226	3/4"-14	M26X1.5	16.00	16.00	16.70	16.70	42.50	32.00
DABPM1525-1627	1"-11	M27X2	19.00	16.00	22.20	18.00	50.00	41.00
DABPM1525-2042	1-1/4"-11	M42X2	20.00	16.00	28.60	28.60	53.00	50.00
DABPM1525-2448	1-1/2"-11	M48X2	22.00	17.50	33.30	33.30	56.50	55.00



## DABPM105M-ED

Straight Connector BSPP Male 60° with ED Ring

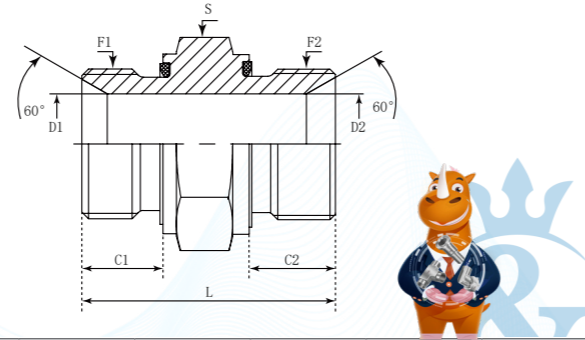
<b>D</b>	<b>A</b>	<b>BP</b>	<b>M</b>	<b>1</b>	<b>05</b>	<b>M</b>	<b>ED</b>
Company	Product Range	Thread Types	Connection Type	Adaptor Structure	Thread Types	Connection Type	Sealing Type
<b>DME</b>	Adaptor	BSPP	Male	Straight	BSPP	Male	ED Ring

German Technology Equipment

**SHIELD FLEX**

New-Standard

- DME&JDE Code: **DABPM105M-ED**
- Product Type: **Hydraulic adaptor**
- Standard: **BSP**
- Structure: **Straight**
- Connection Type: **Male x Male**
- Thread Types: **BSPP 60°**
- Sealing Method: **ED Ring**



PART NUMBER	F1 (Thread)	F2 (Thread)	C1	C2	D1	D2	L	S
#	BSPP	BSPP	mm	mm	mm	mm	mm	mm
DABPM105M-ED-0202	1/8"-28	1/8"-28	8.00	8.00	3.50	3.50	25.00	14.00
DABPM105M-ED-0402	1/4"-19	1/8"-28	12.00	8.00	4.70	3.50	29.50	19.00
DABPM105M-ED-0404	1/4"-19	1/4"-19	12.00	12.00	4.70	4.70	34.00	19.00
DABPM105M-ED-0602	3/8"-19	1/8"-28	12.00	8.00	7.90	3.50	30.00	22.00
DABPM105M-ED-0604	3/8"-19	1/4"-19	12.00	12.00	7.90	4.70	34.50	22.00
DABPM105M-ED-0606	3/8"-19	3/8"-19	12.00	12.00	7.90	7.90	37.00	22.00
DABPM105M-ED-0804	1/2"-14	1/4"-19	14.00	12.00	11.10	4.70	40.00	27.00
DABPM105M-ED-0806	1/2"-14	3/8"-19	14.00	12.00	11.10	7.90	40.50	27.00
DABPM105M-ED-0808	1/2"-14	1/2"-14	14.00	14.00	11.10	11.10	44.00	27.00
DABPM105M-ED-1004	5/8"-14	1/4"-19	16.00	12.00	14.00	4.70	43.00	30.00
DABPM105M-ED-1006	5/8"-14	3/8"-19	16.00	12.00	14.00	7.90	43.00	30.00
DABPM105M-ED-1008	5/8"-14	1/2"-14	16.00	14.00	14.00	11.10	45.00	30.00
DABPM105M-ED-1010	5/8"-14	5/8"-14	16.00	16.00	14.00	14.00	47.00	30.00
DABPM105M-ED-1204	3/4"-14	1/4"-19	16.00	12.00	16.70	4.70	44.00	32.00
DABPM105M-ED-1206	3/4"-14	3/8"-19	16.00	12.00	16.70	7.90	44.00	32.00
DABPM105M-ED-1208	3/4"-14	1/2"-14	16.00	14.00	16.70	11.10	46.00	32.00
DABPM105M-ED-1212	3/4"-14	3/4"-14	16.00	16.00	16.70	16.70	47.00	32.00
DABPM105M-ED-1604	1"-11	1/4"-19	18.00	12.00	22.20	4.70	47.50	41.00
DABPM105M-ED-1606	1"-11	3/8"-19	18.00	12.00	22.20	7.90	47.50	41.00
DABPM105M-ED-1608	1"-11	1/2"-14	18.00	14.00	22.20	11.10	51.00	41.00
DABPM105M-ED-1610	1"-11	5/8"-14	18.00	16.00	22.20	14.00	52.50	41.00
DABPM105M-ED-1612	1"-11	3/4"-14	18.00	16.00	22.20	16.70	52.50	41.00
DABPM105M-ED-1616	1"-11	1"-11	18.00	18.00	22.20	22.20	55.00	41.00
DABPM105M-ED-2012	1-1/4"-11	3/4"-14	20.00	16.00	28.60	16.70	57.00	50.00
DABPM105M-ED-2016	1-1/4"-11	1"-11	20.00	18.00	28.60	22.20	58.50	50.00
DABPM105M-ED-2020	1-1/4"-11	1-1/4"-11	20.00	20.00	28.60	28.60	61.00	50.00
DABPM105M-ED-2412	1-1/2"-11	3/4"-14	22.00	16.00	33.30	16.70	59.00	55.00
DABPM105M-ED-2416	1-1/2"-11	1"-11	22.00	18.00	33.30	22.20	61.00	55.00
DABPM105M-ED-2420	1-1/2"-11	1-1/4"-11	22.00	20.00	33.30	28.60	60.50	55.00
DABPM105M-ED-2424	1-1/2"-11	1-1/2"-11	22.00	22.00	33.30	33.30	65.00	55.00
DABPM105M-ED-3220	2"-11	1-1/4"-11	22.00	20.00	46.00	28.60	66.00	75.00
DABPM105M-ED-3224	2"-11	1-1/2"-11	22.00	22.00	46.00	33.30	66.00	75.00
DABPM105M-ED-3232	2"-11	2"-11	22.00	22.00	46.00	46.00	66.00	70.00

## DABPM107M-ED

Straight Connector BSPP Male 60° with ED Ring - BSPT Male 60°

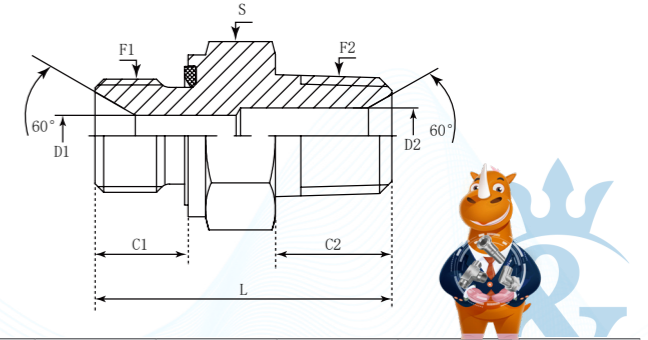
<b>D</b>	<b>A</b>	<b>BP</b>	<b>M</b>	<b>1</b>	<b>07</b>	<b>M</b>	<b>ED</b>
Company	Product Range	Thread Types	Connection Type	Adaptor Structure	Thread Types	Connection Type	Sealing Method
<b>DME</b>	Adaptor	BSPP	Male	Straight	BSPT	Male	ED Ring

German Technology Equipment

**SHIELD FLEX**

New-Standard

- DME&JDE Code: **DABPM107M-ED**
- Product Type: **Hydraulic adaptor**
- Standard: **BSP**
- Structure: **Straight**
- Connection Type: **Male x Male**
- Thread Types: **BSPP 60° x BSPT 60°**
- Sealing Method: **ED Ring**



PART NUMBER	F1 (Thread)	F2 (Thread)	C1	C2	D1	D2	L	S
#	BSPP	NPTF	mm	mm	mm	mm	mm	mm
DABPM107M-ED-0406	1/4"-19	3/8"-19	12.00	15.00	4.70	9.00	35.00	19.00
DABPM107M-ED-0408	1/4"-19	1/2"-14	12.00	19.00	4.70	12.00	42.00	22.00
DABPM107M-ED-0606	3/8"-19	3/8"-19	12.00	15.00	7.90	9.00	37.50	22.00
DABPM107M-ED-0608	3/8"-19	1/2"-14	12.00	19.00	7.90	12.00	42.50	24.00
DABPM107M-ED-0612	3/8"-19	3/4"-14	12.00	20.00	7.90	16.70	44.50	30.00
DABPM107M-ED-0804	1/2"-14	1/4"-19	14.00	14.00	11.10	6.00	41.50	27.00
DABPM107M-ED-0806	1/2"-14	3/8"-19	14.00	15.00	11.10	9.00	42.00	27.00
DABPM107M-ED-0808	1/2"-14	1/2"-14	14.00	19.00	11.10	12.00	47.00	27.00
DABPM107M-ED-1206	3/4"-14	3/8"-19	16.00	15.00	16.70	9.00	45.00	32.00
DABPM107M-ED-1208	3/4"-14	1/2"-14	16.00	19.00	16.70	12.00	50.00	32.00
DABPM107M-ED-1608	1"-11	1/2"-14	18.00	19.00	22.20	12.00	54.00	41.00
DABPM107M-ED-1616	1"-11	1"-11	18.00	24.00	22.20	22.20	59.50	41.00
DABPM107M-ED-2020	1-1/4"-11	1-1/4"-11	20.00	25.00	28.60	28.60	64.50	50.00
DABPM107M-ED-2420	1-1/2"-11	1-1/4"-11	22.00	25.00	33.30	28.60	66.50	55.00
DABPM107M-ED-2424	1-1/2"-11	1-1/2"-11	22.00	25.00	33.30	33.30	66.50	55.00
DABPM107M-ED-3232	2"-11	2"-11	22.00	30.00	46.00	46.00	70.00	70.00

Certificate:



## DABPM1061

Straight Connector BSPP Male 60° Cone- BSPP Male with ED Seal

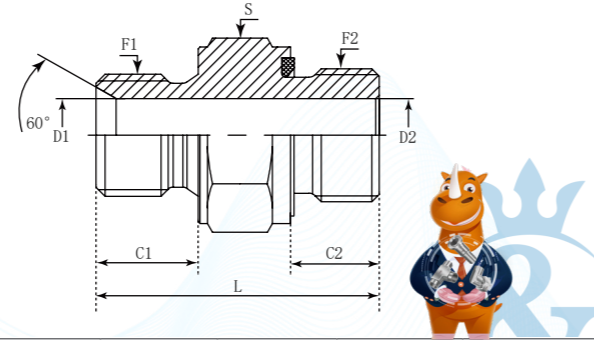
<b>D</b>	<b>A</b>	<b>BP</b>	<b>M</b>	<b>1</b>	<b>061</b>
Company	Product Range	Thread Types	Connection Type	Adaptor Structure	Thread Types
<b>DME</b>	Adaptor	BSPP	Male	Straight	BSPP + ED

German Technology Equipment

**SHIELD FLEX**

New-Standard

- DME&JDE Code: **DABPM1061**
- Product Type: **Hydraulic adaptor**
- Standard: **BSP**
- Structure: **Straight**
- Connection Type: **Male x Male**
- Thread Types: **BSPP 60° Cone x BSPP**
- Sealing Method: **ED Seal**



PART NUMBER	F1 (Thread)	F2 (Thread)	C1	C2	D1	D2	L	S
#	BSPP	BSPP	mm	mm	mm	mm	mm	mm
DABPM1061-0202	1/8"-28	1/8"-28	8.00	8.00	3.50	3.50	25.50	14.00
DABPM1061-0204	1/8"-28	1/4"-19	8.00	12.00	3.50	5.00	30.00	19.00
DABPM1061-0402	1/4"-19	1/8"-28	11.00	8.00	4.00	4.00	37.50	19.00
DABPM1061-0404	1/4"-19	1/4"-19	11.00	12.00	4.70	4.70	32.00	19.00
DABPM1061-0406	1/4"-19	3/8"-19	11.00	12.00	4.70	8.00	34.00	22.00
DABPM1061-0408	1/4"-19	1/2"-14	11.00	14.00	4.70	11.20	39.00	27.00
DABPM1061-0412	1/4"-19	3/4"-14	11.00	16.00	4.70	16.70	40.00	32.00
DABPM1061-0602	3/8"-19	1/8"-28	12.00	8.00	7.90	4.00	30.00	22.00
DABPM1061-0604	3/8"-19	1/4"-19	12.00	12.00	7.90	6.00	34.50	22.00
DABPM1061-0606	3/8"-19	3/8"-19	12.00	12.00	7.90	7.90	35.00	22.00
DABPM1061-0608	3/8"-19	1/2"-14	12.00	14.00	7.90	12.00	37.00	27.00
DABPM1061-0612	3/8"-19	3/4"-14	12.00	16.00	7.90	16.70	43.50	32.00
DABPM1061-0616	3/8"-19	1"-11	12.00	18.00	7.90	22.20	47.50	41.00
DABPM1061-0804	1/2"-14	1/4"-19	14.00	12.00	11.10	5.00	40.00	27.00
DABPM1061-0806	1/2"-14	3/8"-19	14.00	12.00	11.10	9.00	40.00	27.00
DABPM1061-0808	1/2"-14	1/2"-14	14.00	14.00	11.10	11.10	42.00	27.00
DABPM1061-0812	1/2"-14	3/4"-14	14.00	16.00	11.10	16.70	43.00	32.00
DABPM1061-0816	1/2"-14	1"-11	14.00	18.00	11.10	20.00	49.50	41.00
DABPM1061-1008	5/8"-14	1/2"-14	16.00	14.00	14.00	14.00	44.00	30.00
DABPM1061-1012	5/8"-14	3/4"-14	16.00	16.00	14.00	16.70	45.00	32.00
DABPM1061-1208	3/4"-14	1/2"-14	16.00	14.00	16.70	11.10	44.50	32.00
DABPM1061-1212	3/4"-14	3/4"-14	16.00	16.00	16.70	16.70	47.00	32.00
DABPM1061-1216	3/4"-14	1"-11	16.00	18.00	16.70	22.20	52.50	41.00
DABPM1061-1612	1"-11	3/4"-14	19.00	16.00	22.20	18.00	52.50	41.00
DABPM1061-1616	1"-11	1"-11	19.00	18.00	22.20	22.20	54.50	41.00
DABPM1061-2012	1-1/4"-11	3/4"-14	20.00	16.00	28.60	16.70	52.50	50.00
DABPM1061-2020	1-1/4"-11	1-1/4"-11	20.00	20.00	28.60	28.60	56.50	50.00

## DABPM1521

Straight Connector BSPP Male 60° Cone-Metric Male 60° Cone

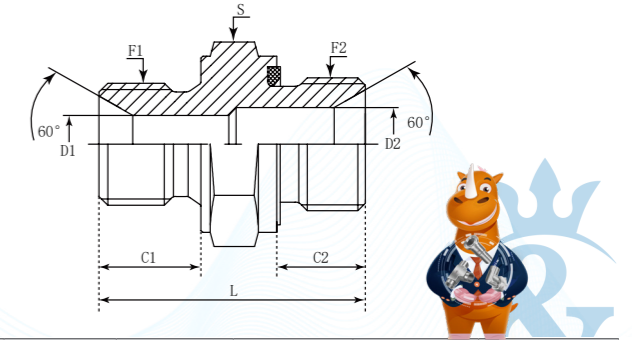
<b>D</b>	<b>A</b>	<b>BP</b>	<b>M</b>	<b>1</b>	<b>521</b>
Company	Product Range	Thread Types	Connection Type	Adaptor Structure	Thread Types
<b>DME</b>	Adaptor	BSPP	Male	Straight	Metric + ED

German Technology Equipment

**SHIELD FLEX**

New-Standard

- DME&JDE Code: **DABPM1521**
- Product Type: **Hydraulic adaptor**
- Standard: **BSP**
- Structure: **Straight**
- Connection Type: **Male x Male**
- Thread Types: **BSPP 60° Cone x Metric 60° Cone**
- Sealing Method: **ED Ring**



PART NUMBER	F1 (Thread)	F2 (Thread)	C1	C2	D1	D2	L	S
#	BSPP	Metric	mm	mm	mm	mm	mm	mm
DABPM1521-0414	1/4"-19	M14X1.5	11.00	12.00	4.70	6.00	32.50	19.00
DABPM1521-0418	1/4"-19	M18X1.5	11.00	12.00	4.70	9.00	33.00	24.00
DABPM1521-0614	3/8"-19	M14X1.5	12.00	12.00	6.50	6.50	35.00	22.00
DABPM1521-0618	3/8"-19	M18X1.5	12.00	12.00	7.90	7.90	35.00	24.00
DABPM1521-0622	3/8"-19	M22X1.5	12.00	14.00	7.90	12.00	37.00	27.00
DABPM1521-0818	1/2"-14	M18X1.5	14.00	12.00	11.10	19.00	37.00	27.00
DABPM1521-0824	1/2"-14	M24X1.5	14.00	14.00	11.10	15.00	42.00	30.00
DABPM1521-1222	3/4"-14	M22X1.5	16.00	14.00	16.70	12.00	44.00	32.00



## DABTM107M

Straight Connector BSPT Male 60° - BSPT Male 60°

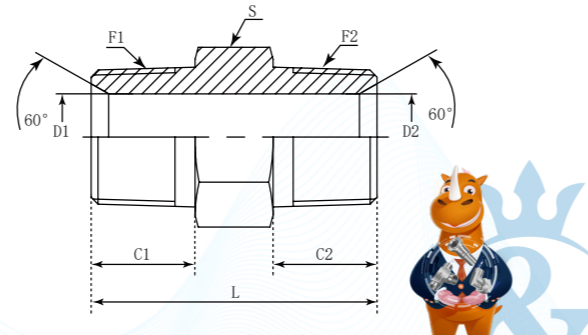
<b>D</b>	<b>A</b>	<b>BT</b>	<b>M</b>	<b>1</b>	<b>07</b>	<b>M</b>
Company	Product Range	Thread Types	Connection Type	Adaptor Structure	Thread Types	Connection Type
<b>DME</b>	Adaptor	BSPT	Male	Straight	BSPT	Male

German Technology Equipment

**SHIELD FLEX**

New-Standard

- DME&JDE Code: **DABTM107M**
- Product Type: **Hydraulic adaptor**
- Standard: **BSP**
- Structure: **Straight**
- Connection Type: **Male x Male**
- Thread Types: **BSPP 60° x BSPT 60°**



PART NUMBER	F1 (Thread)	F2 (Thread)	C1	C2	D1	D2	L	S
#	BSPP	BSPT	mm	mm	mm	mm	mm	mm
DABTM107M-0202	1/8"-28	1/8"-28	10.00	10.00	4.50	4.50	26.00	12.00
DABTM107M-0402	1/4"-19	1/8"-28	14.00	10.00	6.00	4.50	31.00	17.00
DABTM107M-0404	1/4"-19	1/4"-19	14.00	14.00	6.00	6.00	34.00	17.00
DABTM107M-0602	3/8"-19	1/8"-28	15.00	10.00	9.00	4.50	31.00	19.00
DABTM107M-0604	3/8"-19	1/4"-19	15.00	14.00	9.00	6.00	35.00	19.00
DABTM107M-0606	3/8"-19	3/8"-19	15.00	15.00	9.00	9.00	38.00	19.00
DABTM107M-0804	1/2"-14	1/4"-19	19.00	14.00	12.00	6.00	41.00	22.00
DABTM107M-0806	1/2"-14	3/8"-19	19.00	15.00	12.00	9.00	42.00	22.00
DABTM107M-0808	1/2"-14	1/2"-14	19.00	19.00	12.00	12.00	46.00	22.00
DABTM107M-1008	5/8"-14	1/2"-14	19.00	19.00	14.00	12.00	46.00	24.00
DABTM107M-1010	5/8"-14	5/8"-14	19.00	19.00	14.00	14.00	46.00	24.00
DABTM107M-1204	3/4"-14	1/4"-19	19.00	14.00	16.70	6.00	43.50	30.00
DABTM107M-1206	3/4"-14	3/8"-19	19.00	15.00	16.70	9.00	44.00	30.00
DABTM107M-1208	3/4"-14	1/2"-14	19.00	19.00	16.70	12.00	47.00	30.00
DABTM107M-1212	3/4"-14	3/4"-14	19.00	19.00	16.70	16.70	47.00	30.00
DABTM107M-1606	1"-11	3/8"-19	24.00	15.00	22.20	9.00	49.00	36.00
DABTM107M-1608	1"-11	1/2"-14	24.00	19.00	22.20	12.00	53.00	36.00
DABTM107M-1612	1"-11	3/4"-14	24.00	19.00	22.20	16.70	53.00	36.00
DABTM107M-1616	1"-11	1"-11	24.00	24.00	22.20	22.20	58.00	36.00
DABTM107M-2012	1-1/4"-11	3/4"-14	25.00	19.00	28.60	16.70	56.00	46.00
DABTM107M-2016	1-1/4"-11	1"-11	25.00	24.00	28.60	22.20	61.00	46.00
DABTM107M-2020	1-1/4"-11	1-1/4"-11	25.00	25.00	28.60	28.60	62.00	46.00
DABTM107M-2416	1-1/2"-11	1"-11	25.00	24.00	33.30	22.20	61.00	50.00
DABTM107M-2420	1-1/2"-11	1-1/4"-11	25.00	25.00	33.30	28.60	62.00	50.00
DABTM107M-2424	1-1/2"-11	1-1/2"-11	25.00	25.00	33.30	33.30	63.50	50.00
DABTM107M-3224	2"-11	1-1/2"-11	30.00	25.00	45.00	33.30	70.00	65.00
DABTM107M-3232	2"-11	2"-11	30.00	30.00	45.00	45.00	75.00	65.00

## DABTM128M

Straight Connector BSPT Male 60° - NPTF Male 60°

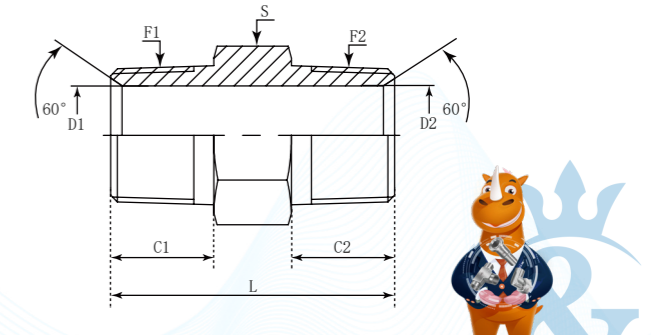
<b>D</b>	<b>A</b>	<b>BT</b>	<b>M</b>	<b>1</b>	<b>28</b>	<b>M</b>
Company	Product Range	Thread Types	Connection Type	Adaptor Structure	Thread Types	Connection Type
<b>DME</b>	Adaptor	BSPT	Male	Straight	NPTF	Male

German Technology Equipment

**SHIELD FLEX**

New-Standard

- DME&JDE Code: **DABTM128M**
- Product Type: **Hydraulic adaptor**
- Standard: **BSP**
- Structure: **Straight**
- Connection Type: **Male x Male**
- Thread Types: **BSPT 60° x NPTF 60°**



PART NUMBER	F1 (Thread)	F2 (Thread)	C1	C2	D1	D2	L	S
#	BSPT	NPTF	mm	mm	mm	mm	mm	mm
DABTM128M-0202	1/8"-28	1/8"-27	10.00	9.65	4.50	4.50	27.00	12.00
DABTM128M-0204	1/8"-27	1/4"-18	10.00	14.22	4.50	7.14	33.00	17.00
DABTM128M-0402	1/4"-19	1/8"-27	14.00	9.65	6.00	4.78	32.00	17.00
DABTM128M-0404	1/4"-19	1/4"-18	14.00	14.22	6.00	6.00	37.00	17.00
DABTM128M-0406	1/4"-19	3/8"-19	14.00	14.22	6.00	10.31	36.50	19.00
DABTM128M-0604	3/8"-19	1/4"-18	15.00	14.22	9.00	7.14	36.50	19.00
DABTM128M-0606	3/8"-19	3/8"-18	15.00	14.22	9.00	9.00	38.00	19.00
DABTM128M-0808	1/2"-14	1/2"-14	19.00	19.05	12.70	12.70	49.80	22.00
DABTM128M-1212	3/4"-14	3/4"-14	20.00	19.05	16.70	18.26	50.00	30.00
DABTM128M-1616	1"-11	1"-11-1/2	24.00	24.00	24.00	21.50	57.00	36.00
DABTM128M-2016	1-1/4"-11	1"-11-1/2	25.00	23.88	28.60	23.83	62.00	46.00
DABTM128M-2020	1-1/4"-11	1-1/4"-11-1/2	25.00	24.64	28.60	28.60	63.00	46.00
DABTM128M-2424	1-1/2"-11	1-1/2"-11-1/2	25.00	25.40	33.30	33.30	66.00	50.80
DABTM128M-3232	2"-11	2"-11-1/2	30.00	26.16	46.00	46.00	75.00	66.68
DABTM128M-4040	2-1/2"-11	2"-1/2-8	36.00	38.86	58.00	58.00	95.50	82.55



## DABTM1305

Straight Connector BSPT Male 60° – SAE Male + O Ring

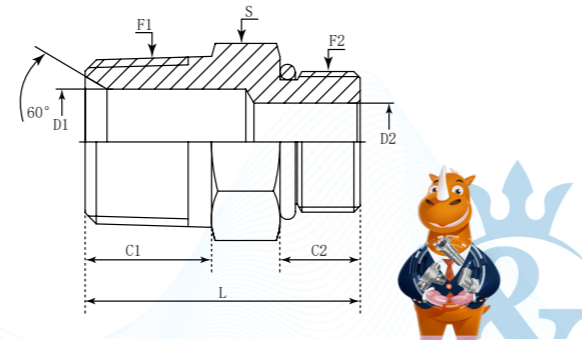
<b>D</b>	<b>A</b>	<b>BT</b>	<b>M</b>	<b>1</b>	<b>30</b>	<b>5</b>
Company	Product Range	Thread Types	Connection Type	Adaptor Structure	Thread Types	Connection Type
<b>DME</b>	Adaptor	BSPT	Male	Straight	SAE	Male + O Ring

German Technology Equipment

**SHIELD FLEX**

New-Standard

- DME&JDE Code: **DABTM1305**
- Product Type: **Hydraulic adaptor**
- Standard: **BSP**
- Structure: **Straight**
- Connection Type: **Male x Male**
- Thread Types: **BSPT 60° x SAE Male**
- Sealing Method: **O Ring**



PART NUMBER	F1 (Thread)	F2 (Thread)	C1	C2	D1	D2	L	S
#	BSPP	BSPP	mm	mm	mm	mm	mm	mm
DABTM1305-0205	1/8"-28	1/2"-20	10.00	9.14	4.50	5.94	28.00	17.00
DABTM1305-0206	1/8"-28	9/16"-18	10.00	9.93	4.50	7.54	28.50	17.00
DABTM1305-0404	1/4"-19	7/16"-20	14.00	9.14	6.00	4.37	30.00	14.00
DABTM1305-0406	1/4"-19	9/16"-18	14.00	9.93	6.00	7.54	30.00	19.00
DABTM1305-0408	1/4"-19	3/4"-16	14.00	11.13	6.00	9.93	33.50	22.00
DABTM1305-0410	1/4"-19	7/8"-14	14.00	12.70	6.00	12.29	35.00	27.00
DABTM1305-0604	3/8"-19	7/16"-20	15.00	9.14	9.00	4.37	32.00	19.00
DABTM1305-0606	3/8"-19	9/16"-18	15.00	9.93	9.00	7.54	31.00	19.00
DABTM1305-0608	3/8"-19	3/4"-16	15.00	11.13	9.00	9.00	34.00	22.00
DABTM1305-0610	3/8"-19	7/8"-14	15.00	12.70	9.00	12.29	37.50	27.00
DABTM1305-0806	1/2"-14	9/16"-18	19.00	9.93	12.00	7.54	37.00	22.00
DABTM1305-0808	1/2"-14	3/4"-16	19.00	11.13	12.00	9.93	38.00	22.00
DABTM1305-0810	1/2"-14	7/8"-14	19.00	12.70	12.00	12.00	42.50	27.00
DABTM1305-0812	1/2"-14	1-1/16"-12	19.00	15.09	12.00	15.47	46.00	32.00
DABTM1305-0816	1/2"-14	1-5/16"-12	19.00	15.09	12.00	21.44	46.80	38.00
DABTM1305-1210	3/4"-14	7/8"-14	20.00	12.70	16.70	12.29	44.00	30.00
DABTM1305-1212	3/4"-14	1-1/16"-12	20.00	15.09	16.70	15.47	47.00	32.00
DABTM1305-1216	3/4"-14	1-5/16"-12	20.00	15.09	16.70	21.44	47.00	38.00
DABTM1305-1612	1"-11	1-1/16"-12	24.00	15.09	22.20	15.47	51.00	38.00
DABTM1305-1616	1"-11	1-5/16"-12	24.00	15.09	22.20	21.44	51.00	38.00
DABTM1305-1620	1"-11	1-5/8"-12	24.00	15.09	22.20	27.38	55.50	50.00
DABTM1305-2016	1-1/4"-11	5-1/16"-12	25.00	15.09	28.60	21.44	54.50	46.00
DABTM1305-2020	1-1/4"-11	1-5/8"-12	25.00	15.09	28.60	27.38	55.50	50.00
DABTM1305-2024	1-1/4"-11	1-7/8"-12	25.00	15.09	28.60	33.30	57.50	55.00
DABTM1305-2424	1-1/2"-11	1-7/8"-12	25.00	15.09	33.30	33.30	57.50	55.00

## DABPM1000

Male Plug BSPP Male 60°

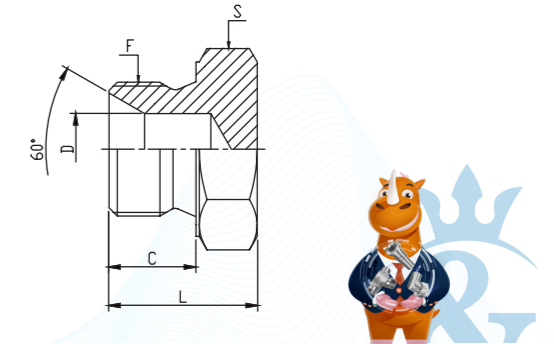
<b>D</b>	<b>A</b>	<b>BP</b>	<b>M</b>	<b>1</b>	<b>000</b>
Company	Product Range	Thread Types	Connection Type	Adaptor Structure	Other Features
<b>DME</b>	Adaptor	BSPP	Male	Straight	Nut/Plug

German Technology Equipment

**SHIELD FLEX**

New-Standard

- DME&JDE Code: **DABPM1000**
- Product Type: **Hydraulic adaptor**
- Standard: **BSP**
- Connection Type: **Male x Male**
- Thread Types: **BSPP 60°**
- Other Features: **Nut/Plug**



PART NUMBER	F (Thread)	C	D	L	S
#	BSPP	mm	mm	mm	mm
DABPM1000-0200	1/8"-28	8.00	3.50	16.00	14.00
DABPM1000-0400	1/4"-19	11.00	4.70	18.00	19.00
DABPM1000-0600	3/8"-19	12.00	7.90	20.00	22.00
DABPM1000-0800	1/2"-14	14.00	11.10	24.00	27.00
DABPM1000-1000	5/8"-14	16.00	14.00	26.00	30.00
DABPM1000-1200	3/4"-14	16.00	16.70	27.00	32.00
DABPM1000-1600	1"-11	19.00	22.20	32.00	41.00
DABPM1000-2000	1-1/4"-11	20.00	28.60	34.00	50.00
DABPM1000-2400	1-1/2"-11	22.00	33.30	39.00	55.00
DABPM1000-3200	2"-11	25.00	46.00	45.00	70.00





## DABPM1000-ED

Male Plug BSPP Male 60° ED Seal

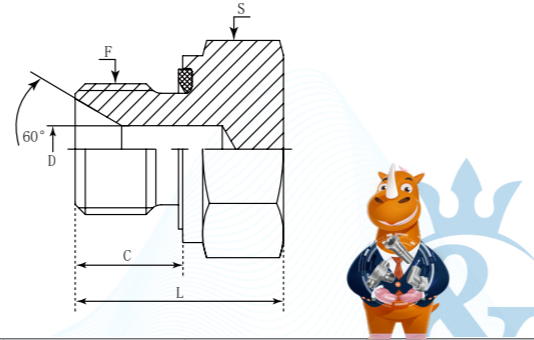
<b>D</b>	<b>A</b>	<b>BP</b>	<b>M</b>	<b>1</b>	<b>000</b>	<b>ED</b>
Company	Product Range	Thread Types	Connection Type	Adaptor Structure	Other Features	Sealing Type
<b>DME</b>	Adaptor	BSPP	Male	Straight	Nut/Plug	ED Ring

German Technology Equipment

**SHIELD FLEX**

New-Standard

- DME&JDE Code: **DABPM1000-ED**
- Product Type: **Hydraulic adaptor**
- Standard: **BSP**
- Sealing Type: **ED Seal**
- Connection Type: **Male x Male**
- Thread Types: **BSPP 60°**
- Other Features: **Nut/Plug**



PART NUMBER	F (Thread)	C	D	L	S
#	BSPP	mm	mm	mm	mm
DABPM1000-0200ED	1/8"-28	8.00	3.50	15.50	14.00
DABPM1000-0400ED	1/4"-19	12.00	4.70	20.00	19.00
DABPM1000-0600ED	3/8"-19	12.00	7.90	20.00	22.00
DABPM1000-0800ED	1/2"-14	14.00	11.00	25.00	27.00
DABPM1000-1200ED	3/4"-14	16.00	16.70	29.00	32.00
DABPM1000-2400ED	1-1/2"-11	22.00	33.30	39.00	55.00
DABPM1000-3200ED	2"-11	22.00	46.00	41.00	70.00

## DABT21000-HHP

Male Plug with Hexagon Socket Head BSPT

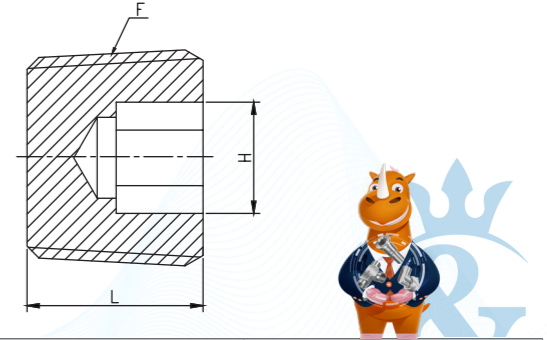
<b>D</b>	<b>A</b>	<b>BT</b>	<b>2</b>	<b>1</b>	<b>000</b>	<b>HHP</b>
Company	Product Range	Thread Types	Plug Type	Adaptor Structure	Thread Types	Plug Head Type
<b>DME</b>	Adaptor	BSPT	Socket	Straight	Nut/Plug	Hexagon Head

German Technology Equipment

**SHIELD FLEX**

New-Standard

- DME&JDE Code: **DABT21000-HHP**
- Product Type: **Hydraulic adaptor**
- Standard: **BSP**
- Connection Type: **Male**
- Thread Type: **BSPT**
- Other Features: **Nut/Plug**
- Plug Type: **Male Plug with Hexagon Socket Head**



PART NUMBER	F (Thread)	L	H
#	BSPT	mm	mm
DABT21000-HHP-0200	1/8"-28	8.00	5.00
DABT21000-HHP-0600	3/8"-19	10.00	8.00
DABT21000-HHP-0800	1/2"-14	10.00	10.00
DABT21000-HHP-1200	3/4"-14	12.00	12.00
DABT21000-HHP-1600	1"-11	12.00	17.00
DABT21000-HHP-2000	1 1/4"-11	18.00	22.00
DABT21000-HHP-2400	1 1/2"-11	20.00	24.00
DABT21000-HHP-3200	2"-11	22.00	32.00

## DABPM105F

Straight Connector BSPP Male 60° – BSPP Fixed Female

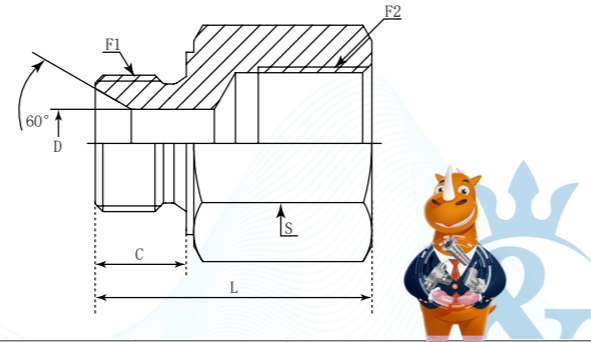
<b>D</b>	<b>A</b>	<b>BP</b>	<b>M</b>	<b>1</b>	<b>05</b>	<b>F</b>
Company	Product Range	Thread Types	Connection Type	Adaptor Structure	Thread Types	Connection Type
<b>DME</b>	Adaptor	BSPP	Male	Straight	BSPP	Fixed Female

German Technology Equipment

**SHIELD FLEX**

New-Standard

- DME&JDE Code: **DABPM105F**
- Product Type: **Hydraulic adaptor**
- Standard: **BSP**
- Structure: **Straight**
- Connection Type: **Male × Fixed Female**
- Thread Types: **BSPP 60° Cone × BSPP**



PART NUMBER	F1 (Thread)	F2 (Thread)	C	D	L	S
#	BSPP	BSPP	mm	mm	mm	mm
DABPM105F-0202	1/8"-28	1/8"-28	8.00	4.50	22.50	14.00
DABPM105F-0204	1/8"-28	1/4"-19	8.00	3.50	26.00	19.00
DABPM105F-0206	1/8"-28	3/8"-19	9.00	3.50	27.00	22.00
DABPM105F-0402	1/4"-19	1/8"-28	11.00	4.70	26.50	19.00
DABPM105F-0404	1/4"-19	1/4"-19	11.00	4.70	30.00	19.00
DABPM105F-0406	1/4"-19	3/8"-19	11.00	4.70	31.00	22.00
DABPM105F-0408	1/4"-19	1/2"-14	11.00	4.70	35.00	27.00
DABPM105F-0604	3/8"-19	1/4"-19	12.00	7.90	31.00	22.00
DABPM105F-0606	3/8"-19	3/8"-19	12.00	7.90	31.00	22.00
DABPM105F-0608	3/8"-19	1/2"-14	12.00	7.90	38.00	27.00
DABPM105F-0612	3/8"-19	3/4"-14	12.00	7.90	40.00	32.00
DABPM105F-0804	1/2"-14	1/4"-19	14.00	11.10	33.00	27.00
DABPM105F-0806	1/2"-14	3/8"-19	14.00	11.10	33.00	27.00
DABPM105F-0808	1/2"-14	1/2"-14	14.00	11.10	38.00	27.00
DABPM105F-0812	1/2"-14	3/4"-14	14.00	11.10	42.00	32.00
DABPM105F-0816	1/2"-14	1"-11	14.00	11.10	46.00	41.00
DABPM105F-1206	3/4"-14	3/8"-19	16.00	16.70	36.00	32.00
DABPM105F-1208	3/4"-14	1/2"-14	16.00	16.70	40.00	32.00
DABPM105F-1212	3/4"-14	3/4"-14	16.00	16.70	42.00	32.00
DABPM105F-1216	3/4"-14	1"-11	16.00	16.70	48.00	41.00
DABPM105F-1220	3/4"-14	1-1/4"-11	16.00	16.70	49.00	50.00
DABPM105F-1224	3/4"-14	1-1/2"-14	16.00	16.70	52.00	55.00
DABPM105F-1608	1"-11	1/2"-14	19.00	18.63	42.00	41.00
DABPM105F-1612	1"-11	3/4"-14	19.00	22.20	46.00	41.00
DABPM105F-1616	1"-11	1"-11	19.00	22.20	51.00	41.00
DABPM105F-1620	1"-11	1-1/4"-11	19.00	22.20	53.00	50.00
DABPM105F-2012	1-1/4"-11	3/4"-14	20.00	24.12	45.00	50.00
DABPM105F-2016	1-1/4"-11	1"-11	20.00	28.60	53.00	50.00
DABPM105F-2020	1-1/4"-11	1-1/4"-11	20.00	28.60	55.00	50.00
DABPM105F-2024	1-1/4"-11	1-1/2"-11	20.00	28.60	56.00	55.00
DABPM105F-2420	1-1/2"-11	1-1/4"-11	22.00	33.30	59.00	55.00
DABPM105F-2424	1-1/2"-11	1-1/2"-11	22.00	33.30	56.00	55.00
DABPM105F-3224	2"-11	1-1/2"-11	25.00	44.85	59.00	70.00
DABPM105F-3232	2"-11	2"-11	25.00	45.00	65.00	70.00



## DABPM105FR

Straight Bushing Connector BSPP Male 60° – BSPP Fixed Female

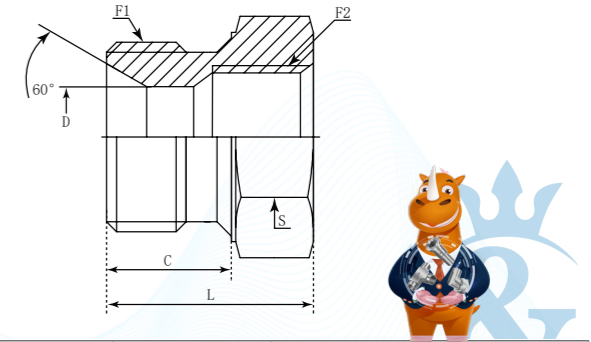
<b>D</b>	<b>A</b>	<b>BP</b>	<b>M</b>	<b>1</b>	<b>05</b>	<b>F</b>	<b>R</b>
Company	Product Range	Thread Types	Connection Type	Adaptor Structure	Thread Types	Connection Type	Other Features
<b>DME</b>	Adaptor	BSPP	Male	Straight	NPTF	Fixed Female	Bushing

German Technology Equipment

**SHIELD FLEX**

New-Standard

- DME&JDE Code: **DABPM105FR**
- Product Type: **Hydraulic adaptor**
- Standard: **BSP**
- Structure: **Straight**
- Connection Type: **Male × Fixed Female**
- Thread Types: **BSPP 60° Cone × BSPP**
- Other Features: **Bushing**



PART NUMBER	F1 (Thread)	F2 (Thread)	C	D	L	S
#	BSPP	BSPP	mm	mm	mm	mm
DABPM105FR-0402	1/4"-19	1/8"-28	11.00	4.70	20.00	19.00
DABPM105FR-0602	3/8"-19	1/8"-28	12.00	7.90	20.00	22.00
DABPM105FR-0604	3/8"-19	1/4"-19	14.50	7.90	21.00	22.00
DABPM105FR-0804	1/2"-14	1/4"-19	14.00	11.10	24.00	27.00
DABPM105FR-0806	1/2"-14	3/8"-19	14.00	11.10	24.00	27.00
DABPM105FR-1204	3/4"-14	1/4"-19	16.00	16.70	26.00	32.00
DABPM105FR-1206	3/4"-14	3/8"-19	16.00	16.70	26.00	32.00
DABPM105FR-1604	1"-11	1/4"-19	19.00	22.20	30.00	41.00
DABPM105FR-1606	1"-11	3/8"-19	19.00	22.20	30.00	41.00
DABPM105FR-1608	1"-11	1/2"-14	19.00	22.20	30.00	41.00
DABPM105FR-1612	1"-11	3/4"-14	19.00	22.20	30.00	41.00
DABPM105FR-2008	1-1/4"-11	1/2"-14	20.00	28.60	33.00	50.00
DABPM105FR-2012	1-1/4"-11	3/4"-14	20.00	28.60	33.00	50.00
DABPM105FR-2016	1-1/4"-11	1"-11	20.00	28.60	35.00	50.00
DABPM105FR-2408	1-1/2"-11	1/2"-14	22.00	33.30	38.00	55.00
DABPM105FR-2416	1-1/2"-11	1"-11	22.00	33.30	38.00	55.00
DABPM105FR-2420	1-1/2"-11	1-1/4"-11	22.00	33.30	38.00	55.00





## DABPM128F

Straight Connector BSPP Male 60° - NPTF Female

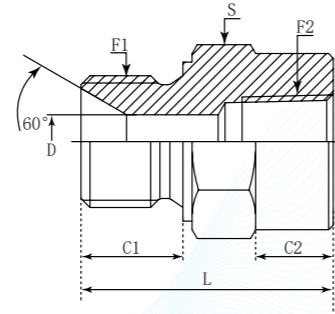
<b>D</b>	<b>A</b>	<b>BP</b>	<b>M</b>	<b>1</b>	<b>28</b>	<b>F</b>
Company	Product Range	Thread Types	Connection Type	Adaptor Structure	Thread Types	Connection Type
<b>DME</b>	Adaptor	BSPP	Male	Straight	NPTF	Female

German Technology Equipment

**SHIELD FLEX**

New-Standard

- DME&JDE Code: **DABPM128F**
- Product Type: **Hydraulic adaptor**
- Standard: **BSP**
- Structure: **Straight**
- Connection Type: **Male x Female**
- Thread Types: **BSPP 60° x NPTF**



PART NUMBER	F1 (Thread)	F2 (Thread)	C1	C2	D	L	S
#	BSPP	NPTF	mm	mm	mm	mm	mm
DABPM128F-0202	1/8"-28	1/8"-27	9.00	6.35	3.50	24.50	16.00
DABPM128F-0204	1/8"-28	1/4"-18	9.00	10.92	3.50	29.00	19.05
DABPM128F-0402	1/4"-19	1/8"-27	11.00	6.35	4.70	26.00	19.00
DABPM128F-0404	1/4"-19	1/4"-18	11.00	10.90	4.70	31.00	19.00
DABPM128F-0406	1/4"-19	3/8"-18	11.00	10.92	4.70	32.50	22.00
DABPM128F-0408	1/4"-19	1/2"-14	11.00	14.22	4.70	39.00	28.58
DABPM128F-0604	3/8"-19	1/4"-18	12.00	10.92	7.90	32.50	22.00
DABPM128F-0606	3/8"-19	3/8"-18	12.00	10.92	7.90	32.50	22.23
DABPM128F-0608	3/8"-19	1/2"-14	12.00	14.22	7.90	40.00	28.58
DABPM128F-0804	1/2"-14	1/4"-18	14.00	10.92	11.10	35.50	27.00
DABPM128F-0806	1/2"-14	3/8"-18	14.00	10.92	11.10	34.00	27.00
DABPM128F-0808	1/2"-14	1/2"-14	14.00	14.22	11.10	38.90	28.58
DABPM128F-1208	3/4"-14	1/2"-14	16.00	14.22	16.70	41.60	32.00
DABPM128F-1212	3/4"-14	3/4"-14	16.00	14.22	16.70	42.50	36.00
DABPM128F-1612	1"-11	3/4"-14	19.00	14.22	22.20	49.00	41.28
DABPM128F-1616	1"-11	1"-11-1/2	19.00	17.53	22.20	34.00	41.28
DABPM128F-2016	1-1/4"-11	1"-11-1/2	20.00	17.53	28.60	51.00	50.80
DABPM128F-2020	1-1/4"-11	1-1/4"-11-1/2	20.00	17.53	28.60	60.00	50.80
DABPM128F-2420	1-1/2"-11	1-1/4"-11-1/2	22.00	17.53	33.30	57.50	55.00
DABPM128F-2424	1-1/2"-11	1-1/2"-11-1/2	22.00	17.53	33.30	58.00	60.33
DABPM128F-3224	2"-11	1-1/2"-11-1/2	25.00	17.53	46.00	63.50	70.00
DABPM128F-3232	2"-11	2"-11-1/2	25.00	16.00	46.00	67.00	70.00
DABPM128F-4040	2-1/2"-11	2-1/2"-8	32.00	19.50	58.00	78.50	90.00



## DABPM107F

Straight Connector BSPP Male 60° Cone-BSPT Female Cone

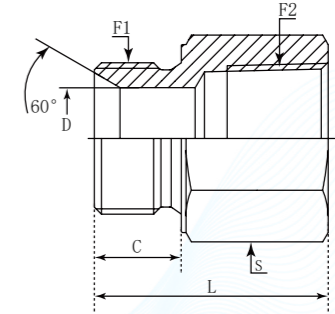
<b>D</b>	<b>A</b>	<b>BP</b>	<b>M</b>	<b>1</b>	<b>07</b>	<b>F</b>
Company	Product Range	Thread Types	Connection Type	Adaptor Structure	Thread Types	Connection Type
<b>DME</b>	Adaptor	BSPP	Male	Straight	BSPT	Female

German Technology Equipment

**SHIELD FLEX**

New-Standard

- DME&JDE Code: **DABPM107F**
- Product Type: **Hydraulic adaptor**
- Standard: **BSP**
- Structure: **Straight**
- Connection Type: **Male x Female**
- Thread Types: **BSPP 60° Cone x BSPT Cone**



PART NUMBER	F1 (Thread)	F2 (Thread)	C	D	L	S
#	BSPP	BSPT	mm	mm	mm	mm
DABPM107F-0402	1/4"-19	1/8"-28	11.00	4.70	32.00	19.00
DABPM107F-0404	1/4"-19	1/4"-19	11.00	4.70	32.50	19.00
DABPM107F-0604	3/8"-19	1/4"-19	12.00	7.90	34.00	22.00
DABPM107F-0606	3/8"-19	3/8"-19	12.00	7.90	31.00	22.00
DABPM107F-0808	1/2"-14	1/2"-14	14.00	11.10	42.50	27.00
DABPM107F-1212	3/4"-14	3/4"-14	16.00	16.70	46.50	32.00







## DABTM107F

Straight Connector BSPT Male 60°- BSPT Fixed Female

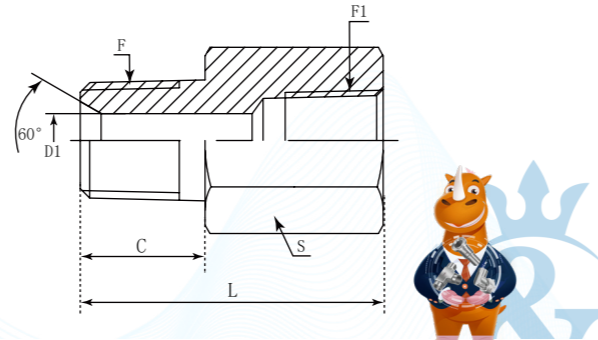
<b>D</b>	<b>A</b>	<b>BT</b>	<b>M</b>	<b>1</b>	<b>07</b>	<b>F</b>
Company	Product Range	Thread Types	Connection Type	Adaptor Structure	Thread Types	Connection Type
<b>DME</b>	Adaptor	BSPT	Male	Straight	BSPT	Female

German Technology Equipment

**SHIELD FLEX**

New-Standard

- DME&JDE Code: **DABTM107F**
- Product Type: **Hydraulic adaptor**
- Standard: **BSP**
- Structure: **Straight**
- Connection Type: **Male x Female**
- Thread Types: **BSPT 60° x BSPT Fixed Female**



PART NUMBER	F (Thread)	F1 (Thread)	C	D	L	S
#	BSPT	BSPT	mm	mm	mm	mm
DABTM107F-0204	1/8"-28	1/4"-19	10.00	4.50	30.73	19.00
DABTM107F-0404	1/4"-19	1/4"-19	14.00	6.00	34.00	19.00
DABTM107F-0406	1/4"-19	3/8"-19	14.00	6.00	35.50	22.00
DABTM107F-0408	1/4"-19	1/2"-14	14.00	6.00	41.00	27.00
DABTM107F-0606	3/8"-19	3/8"-19	15.00	9.00	36.00	22.00
DABTM107F-0608	3/8"-19	1/2"-14	15.00	9.00	42.00	27.00
DABTM107F-0806	1/2"-14	3/8"-19	19.00	12.00	40.00	22.00
DABTM107F-0812	1/2"-14	3/4"-14	19.00	12.00	48.00	33.00
DABTM107F-1216	3/4"-14	1"-11	20.00	16.70	54.00	41.00
DABTM107F-1620	1"-11	1-1/4"-11	24.00	22.20	63.00	50.00



## DABTM107FR

Straight Bushing Connector BSPT Male 60° - BSPT Fixed Female

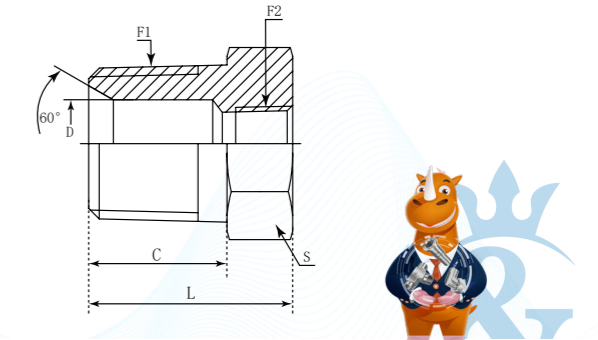
<b>D</b>	<b>A</b>	<b>BT</b>	<b>M</b>	<b>1</b>	<b>07</b>	<b>FR</b>
Company	Product Range	Thread Types	Connection Type	Adaptor Structure	Thread Types	Connection Type
<b>DME</b>	Adaptor	BSPT	Male	Straight	BSPT	Fixed Female

German Technology Equipment

**SHIELD FLEX**

New-Standard

- DME&JDE Code: **DABTM107FR**
- Product Type: **Hydraulic adaptor**
- Standard: **BSP**
- Structure: **Straight**
- Connection Type: **Male x Fixed Female**
- Thread Types: **BSPT 60° x BSPT**



PART NUMBER	F1 (Thread)	F2 (Thread)	C	D	L	S
#	BSPT	BSPT	mm	mm	mm	mm
DABTM107FR-0402	1/4"-19	1/8"-28	14.00	6.00	20.50	14.00
DABTM107FR-0602	3/8"-19	1/8"-28	14.20	9.00	21.60	19.00
DABTM107FR-0604	3/8"-19	1/4"-19	14.20	9.00	21.60	19.00
DABTM107FR-0802	1/2"-14	1/8"-28	19.00	12.00	28.00	24.00
DABTM107FR-0806	1/2"-14	3/8"-19	19.00	11.00	28.00	24.00
DABTM107FR-1204	3/4"-14	1/4"-19	20.00	16.70	29.00	30.00
DABTM107FR-1206	3/4"-14	3/8"-19	20.00	16.70	29.00	30.00
DABTM107FR-1208	3/4"-14	1/2"-14	20.00	16.70	30.00	30.00
DABTM107FR-1216	3/4"-14	1"-11	20.00	16.70	55.50	41.00
DABTM107FR-1604	1"-11	1/4"-19	24.00	22.20	34.00	36.00
DABTM107FR-1606	1"-11	3/8"-19	24.00	22.20	34.00	36.00
DABTM107FR-1608	1"-11	1/2"-14	24.00	22.20	34.00	36.00
DABTM107FR-1612	1"-11	3/4"-14	24.00	22.20	34.00	35.00
DABTM107FR-2012	1-1/4"-11	3/4"-14	25.00	28.60	37.50	45.00
DABTM107FR-2016	1-1/4"-11	1"-11	25.00	28.00	37.50	45.00
DABTM107FR-2420	1-1/2"-11	1-1/4"-11	25.00	33.30	40.00	50.00
DABTM107FR-3216	2"-11	1"-11	30.00	46.00	45.00	65.00
DABTM107FR-3224	2"-11	1-1/2"-11	30.00	45.20	45.00	65.00



## DABTM105F

Straight Connector BSPT Male 60° - BSPP Fixed Female

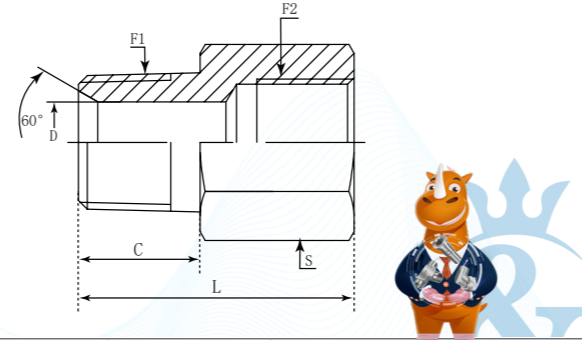
<b>D</b>	<b>A</b>	<b>BT</b>	<b>M</b>	<b>1</b>	<b>05</b>	<b>F</b>
Company	Product Range	Thread Types	Connection Type	Adaptor Structure	Thread Types	Connection Type
<b>DME</b>	Adaptor	BSPT	Male	Straight	BSPP	Female

German Technology Equipment

**SHIELD FLEX**

New-Standard

- DME&JDE Code: **DABTM105F**
- Product Type: **Hydraulic adaptor**
- Standard: **BSP**
- Structure: **Straight**
- Connection Type: **Male x Fixed Female**
- Thread Types: **BSPT 60° x BSPP Fixed Female**



PART NUMBER	F1 (Thread)	F2 (Thread)	C	D	L	S
#	BSPT	BSPP	mm	mm	mm	mm
DABTM105F-0202	1/8"-28	1/8"-28	10.00	4.50	27.50	14.00
DABTM105F-0204	1/8"-28	1/4"-19	10.00	4.50	30.50	19.00
DABTM105F-0402	1/4"-19	1/8"-28	14.00	6.00	31.00	17.00
DABTM105F-0404	1/4"-19	1/4"-19	14.00	6.00	33.50	17.00
DABTM105F-0406	1/4"-19	3/8"-19	14.00	6.00	33.00	22.00
DABTM105F-0604	3/8"-19	1/4"-19	15.00	9.00	34.50	19.00
DABTM105F-0606	3/8"-19	3/8"-19	15.00	9.00	37.00	22.00
DABTM105F-0612	3/8"-19	3/4"-14	15.00	9.00	43.50	32.00
DABTM105F-0808	1/2"-14	1/2"-14	19.00	12.00	43.00	27.00
DABTM105F-0816	1/2"-14	1"-11	19.00	12.00	54.00	41.00
DABTM105F-1206	3/4"-14	3/8"-19	20.00	16.70	43.00	30.00
DABTM105F-1212	3/4"-14	3/4"-14	20.00	16.70	46.00	32.00
DABTM105F-1220	3/4"-14	1"1/4"-11	20.00	16.70	60.00	50.00
DABTM105F-1616	1"-11	1"-11	24.00	22.20	57.00	41.00
DABTM105F-1620	1"-11	1-1/4"-11	24.00	22.20	59.50	50.00
DABTM105F-2020	1-1/4"-11	1-1/4"-11	25.00	28.60	63.50	50.00
DABTM105F-2024	1-1/4"-11	1-1/2"-11	25.00	28.60	60.00	55.00
DABTM105F-2432	1-1/2"-11	2"-11	25.00	33.30	65.50	70.00



## DABTM105FR

Straight Bushing Connector BSPT Male 60° - BSPP Fixed Female

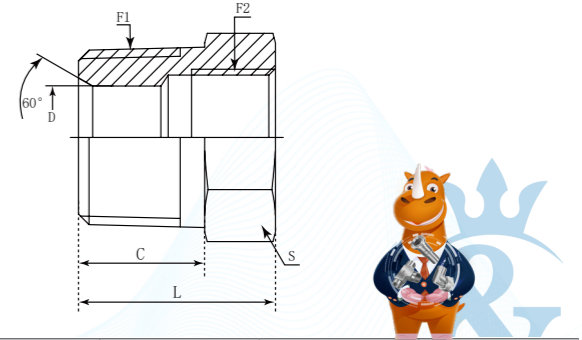
<b>D</b>	<b>A</b>	<b>BT</b>	<b>M</b>	<b>1</b>	<b>05</b>	<b>FR</b>
Company	Product Range	Thread Types	Connection Type	Adaptor Structure	Thread Types	Connection Type
<b>DME</b>	Adaptor	BSPT	Male	Straight	BSPP	Fixed Female

German Technology Equipment

**SHIELD FLEX**

New-Standard

- DME&JDE Code: **DABTM105FR**
- Product Type: **Hydraulic adaptor**
- Standard: **BSP**
- Structure: **Straight**
- Connection Type: **Male x Fixed Female**
- Thread Types: **BSPP 60° x BSPP Fixed Female**



PART NUMBER	F1 (Thread)	F2 (Thread)	C	D	L	S
#	BSPT	BSPP	mm	mm	mm	mm
DABTM105FR-0202	1/8"-28	1/8"-28	5.00	4.50	10.00	12.00
DABTM105FR-0402	1/4"-19	1/8"-28	14.00	7.00	21.00	14.00
DABTM105FR-0408	1/4"-19	1/2"-14	14.00	7.00	40.50	27.00
DABTM105FR-0602	3/8"-19	1/8"-28	15.00	8.57	22.00	17.00
DABTM105FR-0604	3/8"-19	1/4"-19	15.00	11.45	23.00	19.00
DABTM105FR-0802	1/2"-14	1/8"-28	19.00	13.00	27.00	22.00
DABTM105FR-0804	1/2"-14	1/4"-19	19.00	11.45	27.00	22.00
DABTM105FR-0806	1/2"-14	3/8"-19	19.00	14.95	27.00	22.00
DABTM105FR-0816	1/2"-14	1"-11	19.00	13.00	55.50	41.00
DABTM105FR-1204	3/4"-14	1/4"-19	20.00	11.45	29.00	27.00
DABTM105FR-1206	3/4"-14	3/8"-19	20.00	14.95	29.00	27.00
DABTM105FR-1208	3/4"-14	1/2"-14	20.00	18.63	29.00	27.00
DABTM105FR-1608	1"-11	1/2"-14	24.00	24.00	34.00	36.00
DABTM105FR-1612	1"-11	3/4"-14	24.00	24.12	34.00	36.00
DABTM105FR-1616	1"-11	1"-11	24.00	22.20	59.00	41.00
DABTM105FR-2008	1-1/4"-11	1/2"-14	25.00	31.00	37.00	46.00
DABTM105FR-2016	1-1/4"-11	1"-11	25.00	30.29	37.00	46.00
DABTM105FR-2412	1-1/2"-11	3/4"-14	25.00	38.00	37.00	50.00
DABTM105FR-2416	1-1/2"-11	1"-11	25.00	38.00	37.00	50.00
DABTM105FR-2420	1-1/2"-11	1-1/4"-11	25.00	38.95	37.00	50.00
DABTM105FR-3216	2"-11	1"-11	30.00	49.00	45.00	65.00
DABTM105FR-3220	2"-11	1-1/4"-11	30.00	49.00	45.00	65.00
DABTM105FR-3224	2"-11	1-1/2"-11	30.00	44.85	45.00	65.00
DABTM105FR-4020	2-1/2"-11	1-1/4"-11	36.00	38.95	60.00	76.20
DABTM105FR-4032	2-1/2"-11	2"-11	36.00	56.80	60.00	76.20
DABTM105FR-4832	3"-11	2"-11	40.00	56.80	60.00	90.00





## DABTM152F

Straight Adaptor BSPT Male 60° - Metric Fixed Female

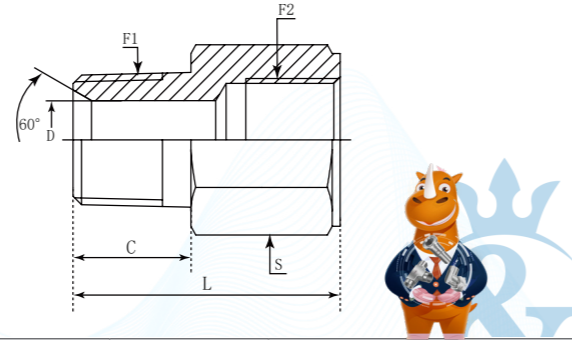
<b>D</b>	<b>A</b>	<b>BT</b>	<b>M</b>	<b>1</b>	<b>52</b>	<b>F</b>
Company	Product Range	Thread Types	Connection Type	Adaptor Structure	Thread Types	Connection Type
<b>DME</b>	Adaptor	BSPT	Male	Straight	Metric	Female

German Technology Equipment

**SHIELD FLEX**

New-Standard

- DME&JDE Code: **DABTM152F**
- Product Type: **Hydraulic adaptor**
- Standard: **BSP**
- Structure: **Straight**
- Connection Type: **Male × Fixed Female**
- Thread Types: **BSPP 60° × Metric Fixed Female**



PART NUMBER	F1 (Thread)	F2 (Thread)	C	D	L	S
#	BSPT	Metric	mm	mm	mm	mm
DABTM152F-0410	1/4"-19	M10X1	14.00	7.00	29.00	14.00
DABTM152F-0414	1/4"-19	M14X1.5	14.00	7.00	33.00	19.00
DABTM152F-0416	1/4"-19	M16X1.5	14.00	7.00	34.50	22.00
DABTM152F-0418	1/4"-19	M18X1.5	14.00	7.00	35.00	24.00
DABTM152F-0614	3/8"-19	M14X1.5	15.00	10.00	33.00	19.00
DABTM152F-0616	3/8"-19	M16X1.5	15.00	10.00	34.00	22.00
DABTM152F-0622	3/8"-19	M22X1.5	15.00	10.00	37.50	27.00
DABTM152F-0818	1/2"-14	M18X1.5	19.00	12.00	37.50	24.00
DABTM152F-0822	1/2"-14	M22X1.5	19.00	13.00	41.00	27.00

## DABTM152FR

Straight Bushing Connector BSPT Male 60° - Metric Fixed Female

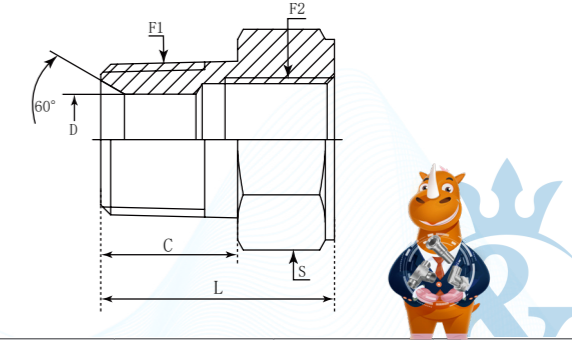
<b>D</b>	<b>A</b>	<b>BT</b>	<b>M</b>	<b>1</b>	<b>52</b>	<b>FR</b>
Company	Product Range	Thread Types	Connection Type	Adaptor Structure	Thread Types	Connection Type
<b>DME</b>	Adaptor	BSPT	Male	Straight	Metric	Fixed Female

German Technology Equipment

**SHIELD FLEX**

New-Standard

- DME&JDE Code: **DABTM152FR**
- Product Type: **Hydraulic adaptor**
- Standard: **BSP**
- Structure: **Straight**
- Connection Type: **Male × Fixed Female**
- Thread Types: **BSPT 60° × Metric Fixed Female**



PART NUMBER	F1 (Thread)	F2 (Thread)	C	D	L	S
#	BSPT	Metric	mm	mm	mm	mm
DABTM152FR-0206	1/8"-28	M6X1	10.00	4.50	15.00	14.00
DABTM152FR-0408	1/4"-19	M8X1	14.00	6.00	19.00	17.00
DABTM152FR-0612	3/8"-19	M12X1.5	15.00	9.00	21.00	22.00
DABTM152FR-0816	1/2"-14	M16X1.5	19.00	13.00	27.00	22.00
DABTM152FR-1214	3/4"-14	M14X1.5	20.00	16.70	27.00	30.00
DABTM152FR-1216	3/4"-14	M16X1.5	20.00	16.70	27.00	30.00
DABTM152FR-1616	1"-11	M16X1.5	24.00	22.20	32.00	36.00
DABTM152FR-1620	1"-11	M20X1.5	24.00	22.20	32.00	36.00
DABTM152FR-2022	1-1/4"-11	M22X1.5	25.00	28.60	34.00	46.00
DABTM152FR-2026	1-1/4"-11	M26X1.5	25.00	28.60	34.00	46.00
DABTM152FR-2426	1-1/4"-11	M26X1.5	25.00	33.30	35.00	50.00



## DABTM128F

Straight Connector BSPT Male 60° - NPTF Female

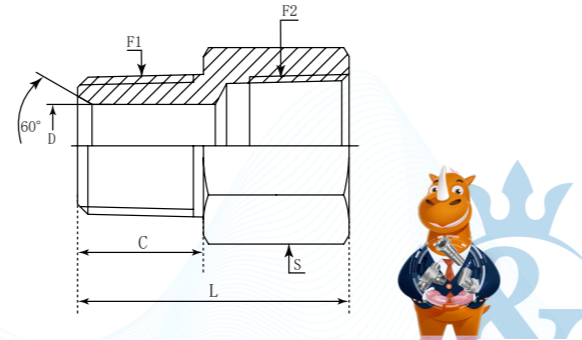
<b>D</b>	<b>A</b>	<b>BT</b>	<b>M</b>	<b>1</b>	<b>28</b>	<b>F</b>
Company	Product Range	Thread Types	Connection Type	Adaptor Structure	Thread Types	Connection Type
<b>DME</b>	Adaptor	BSPT	Male	Straight	NPTF	Female

German Technology Equipment

**SHIELD FLEX**

New-Standard

- DME&JDE Code: **DABTM128F**
- Product Type: **Hydraulic adaptor**
- Standard: **BSP**
- Structure: **Straight**
- Connection Type: **Male x Female**
- Thread Types: **BSPP 60° x NPTF**



PART NUMBER	F1 (Thread)	F2 (Thread)	C	D	L	S
#	BSPT	NPTF	mm	mm	mm	mm
DABTM128F-0202	1/8"-28	1/8"-27	10.00	4.50	26.50	17.00
DABTM128F-0204	1/8"-28	1/4"-18	10.00	4.50	32.00	19.00
DABTM128F-0402	1/4"-19	1/8"-27	14.00	6.00	28.50	17.00
DABTM128F-0404	1/4"-19	1/4"-18	14.00	6.00	35.00	19.00
DABTM128F-0602	3/8"-19	1/8"-27	15.00	9.00	23.50	19.00
DABTM128F-0604	3/8"-19	1/4"-18	15.00	9.00	36.00	19.00
DABTM128F-0606	3/8"-19	3/8"-18	15.00	9.00	37.00	22.00
DABTM128F-0808	1/2"-14	1/2"-14	19.00	12.50	46.00	27.00
DABTM128F-1206	3/4"-16	3/8"-18	20.00	16.70	32.00	27.00
DABTM128F-1208	3/4"-16	1/2"-14	20.00	16.70	32.50	27.00
DABTM128F-1212	3/4"-14	3/4"-14	20.00	16.70	52.00	34.93
DABTM128F-1612	1"-11	3/4"-14	24.00	22.20	41.00	36.00
DABTM128F-1616	1"-11	1"-11-1/2	24.00	22.20	60.00	41.00
DABTM128F-2012	1"1/4-11	3/4"-14	25.00	28.60	39.00	46.00
DABTM128F-2016	1-1/4"-11	1"-11-1/2	25.00	28.60	39.00	46.00
DABTM128F-2020	1-1/4"-11	1-1/4"-11-1/2	25.00	28.60	63.00	50.80
DABTM128F-2420	1-1/2"-11	1-1/4"-11-1/2	25.00	33.30	41.00	50.00
DABTM128F-2424	1-1/2"-11	1-1/2"-11-1/2	25.00	33.30	63.00	60.00
DABTM128F-3232	2"-11	2"-11-1/2	30.00	46.00	71.50	73.02

## DABPF152M

Straight Connector BSPP Fixed Female - Metric Male 60°

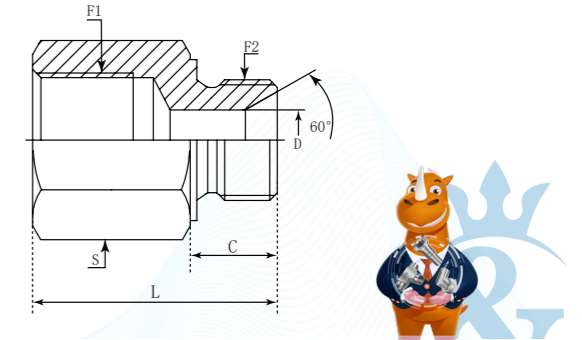
<b>D</b>	<b>A</b>	<b>BP</b>	<b>F</b>	<b>1</b>	<b>52</b>	<b>M</b>
Company	Product Range	Thread Types	Connection Type	Adaptor Structure	Thread Types	Connection Type
<b>DME</b>	Adaptor	BSPP	Male	Straight	Metric	Male

German Technology Equipment

**SHIELD FLEX**

New-Standard

- DME&JDE Code: **DABPF152M**
- Product Type: **Hydraulic adaptor**
- Standard: **BSP**
- Structure: **Straight**
- Connection Type: **Fixed Female x Male**
- Thread Types: **BSPP x Metric 60°**



PART NUMBER	F1 (Thread)	F2 (Thread)	C	D	L	S
#	BSPP	Metric	mm	mm	mm	mm
DABPF152M-0412	1/4"-19	M12X1.5	10.00	4.00	30.00	19.00
DABPF152M-0414	1/4"-19	M14X1.5	12.00	6.00	31.00	19.00
DABPF152M-0616	3/8"-19	M16X1.5	12.00	8.00	32.50	22.00
DABPF152M-0618	3/8"-19	M18X1.5	12.00	10.00	32.00	24.00
DABPF152M-0816	1/2"-14	M16X1.5	12.00	8.00	38.00	27.00
DABPF152M-0818	1/2"-14	M18X1.5	12.00	10.00	36.50	27.00
DABPF152M-0822	1/2"-14	M22X1.5	14.00	14.00	38.00	27.00
DABPF152M-1226	3/4"-14	M26X1.5	16.00	15.00	43.50	32.00
DABPF152M-1230	3/4"-14	M30X1.5	16.00	19.00	41.00	36.00
DABPF152M-1638	1"-11	M38X1.5	18.00	25.00	50.00	46.00



## DABPF1305

Straight Adaptor BSPP Fixed Female – SAE Male O Ring

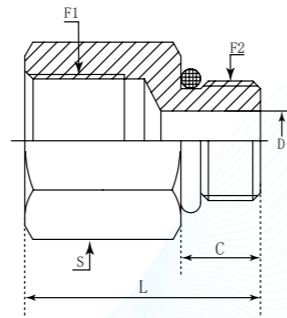
<b>D</b>	<b>A</b>	<b>BP</b>	<b>F</b>	<b>1</b>	<b>30</b>	<b>5</b>
Company	Product Range	Thread Types	Connection Type	Adaptor Structure	Thread Types	Connection Type
<b>DME</b>	Adaptor	BSPP	Female	Straight	SAE	Male O Ring

German Technology Equipment

**SHIELD FLEX**

New-Standard

- DME&JDE Code: **DABPF1305**
- Product Type: **Hydraulic adaptor**
- Standard: **BSP**
- Structure: **Straight**
- Connection Type: **Fixed Female × Male**
- Thread Types: **BSPP × SAE UNF**
- Sealing Method: **O Ring**



PART NUMBER	F1 (Thread)	F2 (Thread)	D2	L	S	S1
#	BSPP	UNF	mm	mm	mm	mm
DABPF1305-0404	1/4"-19	7/16"-20	9.14	4.37	29.5	19
DABPF1305-0408	1/4"-19	3/4"-16	11.13	9.90	30.50	22.00
DABPF1305-0606	3/8"-19	9/16"-18	9.93	7.50	31.50	22.00
DABPF1305-0608	3/8"-19	3/4"-16	11.13	9.90	31.00	22.00
DABPF1305-0810	1/2"-14	7/8"-14	12.70	12.30	37.00	27.00
DABPF1305-0812	1/2"-14	1-1/16"-12	15.09	15.50	38.00	32.00
DABPF1305-1212	3/4"-14	1-1/16"-12	15.09	15.50	41.00	32.00

## DABP11065

Straight Connector BSPP Swivel Female 60° - BSPP Male + O Ring

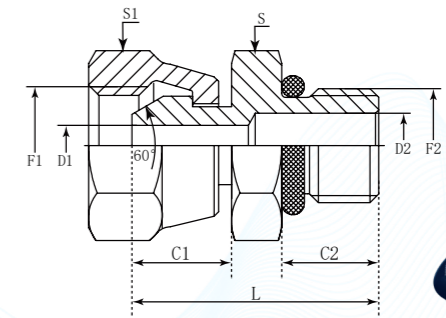
<b>D</b>	<b>A</b>	<b>BP</b>	<b>1</b>	<b>1</b>	<b>06</b>	<b>5</b>
Company	Product Range	Thread Types	Connection Type	Adaptor Structure	Thread Types	Connection Type
<b>DME</b>	Adaptor	BSPP	Swivel Female	Straight	BSPP	Male+ O Ring

German Technology Equipment

**SHIELD FLEX**

New-Standard

- DME&JDE Code: **DABP11065**
- Product Type: **Hydraulic adaptor**
- Standard: **BSP**
- Structure: **Straight**
- Connection Type: **Swivel Female × Male**
- Thread Types: **BSPP 60° × BSPP + O Ring**
- Sealing Method: **O Ring**



PART NUMBER	F1 (Thread)	F2 (Thread)	C1	C2	D1	D2	L	S	S1
#	BSPP	BSPP	mm	mm	mm	mm	mm	mm	mm
DABP11065-0202	1/8"-28	1/8"-28	9.50	7.60	3.50	4.40	24.50	14.00	14.00
DABP11065-0204	1/8"-29	1/4"-19	9.50	11.20	3.50	7.50	25.00	19.00	14.00
DABP11065-0404	1/4"-19	1/4"-19	11.50	11.20	4.50	7.50	28.50	19.00	19.00
DABP11065-0406	1/4"-19	3/8"-19	11.50	11.20	4.50	9.90	30.50	22.00	19.00
DABP11065-0604	3/8"-19	1/4"-19	12.50	11.20	7.10	7.10	28.50	19.00	22.00
DABP11065-0606	3/8"-19	3/8"-19	12.50	11.20	7.10	9.90	32.00	22.00	22.00
DABP11065-0608	3/8"-19	1/2"-14	12.50	14.50	7.10	12.30	36.50	27.00	22.00
DABP11065-0806	1/2"-14	3/8"-19	15.00	11.20	9.70	9.70	34.00	22.00	27.00
DABP11065-0808	1/2"-14	1/2"-14	15.00	14.50	9.70	12.30	38.00	27.00	27.00
DABP11065-0812	1/2"-14	3/4"-14	15.00	14.50	9.70	15.50	39.50	32.00	27.00
DABP11065-1008	5/8"-14	1/2"-14	15.50	14.50	12.00	12.00	38.50	27.00	30.00
DABP11065-1208	3/4"-14	1/2"-14	17.50	14.50	15.50	12.30	39.00	27.00	32.00
DABP11065-1212	3/4"-14	3/4"-14	17.50	14.50	15.50	15.50	41.50	32.00	32.00
DABP11065-1216	3/4"-14	1"-11	17.50	18.60	15.50	21.50	46.00	41.00	32.00
DABP11065-1612	1"-11	3/4"-14	19.50	14.50	20.40	15.50	42.00	32.00	41.00
DABP11065-1616	1"-11	1"-11	19.50	18.60	20.40	21.50	48.00	41.00	41.00
DABP11065-1620	1"-11	1-1/4"-11	19.50	18.60	20.40	27.50	51.50	50.00	41.00
DABP11065-2020	1-1/4"-11	1-1/4"-11	21.00	18.60	26.00	27.50	53.50	50.00	50.00
DABP11065-2424	1-1/2"-11	1-1/2"-11	22.00	18.60	30.80	33.00	55.50	55.00	55.00



## DABP1106Q

Straight Connector BSPP Swivel Female 60° – BSPP Male + O Ring + Retaining Ring

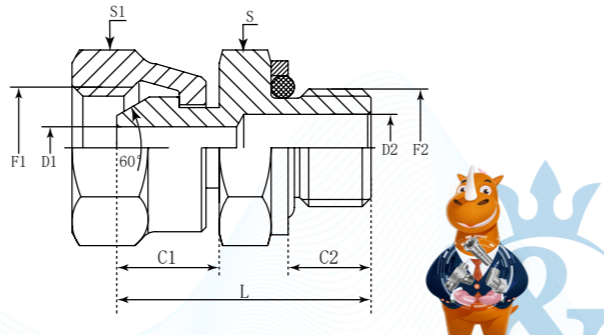
<b>D</b>	<b>A</b>	<b>BP</b>	<b>1</b>	<b>1</b>	<b>06</b>	<b>0</b>
Company	Product Range	Thread Types	Connection Type	Adaptor Structure	Thread Types	Connection Type
<b>DME</b>	Adaptor	BSPP	Swivel Female	Straight	BSPP	Male + O Ring + Retaining Ring

German Technology Equipment

**SHIELD FLEX**

New-Standard

- DME&JDE Code: **DABP1106Q**
- Product Type: **Hydraulic adaptor**
- Standard: **BSP**
- Structure: **Straight**
- Connection Type: **Swivel Female x Male**
- Thread Types: **BSPP 60° x BSPP**
- Sealing Method: **O Ring + Retaining Ring**



PART NUMBER	F1 (Thread)	F2 (Thread)	C1	C2	D1	D2	L	S	S1
#	BSPP	BSPP	mm	mm	mm	mm	mm	mm	mm
DABP1106Q-0202	1/8"-28	1/8"-28	9.50	7.60	3.50	4.40	24.50	14.00	14.00
DABP1106Q-0204	1/8"-29	1/4"-19	9.50	11.20	3.50	7.50	25.00	19.00	14.00
DABP1106Q-0404	1/4"-19	1/4"-19	11.50	11.20	4.50	7.50	28.50	19.00	19.00
DABP1106Q-0406	1/4"-19	3/8"-19	11.50	11.20	4.50	9.90	30.50	22.00	19.00
DABP1106Q-0604	3/8"-19	1/4"-19	12.50	11.20	7.10	7.10	28.50	19.00	22.00
DABP1106Q-0606	3/8"-19	3/8"-19	12.50	11.20	7.10	9.90	32.00	22.00	22.00
DABP1106Q-0608	3/8"-19	1/2"-14	12.50	14.50	7.10	12.30	36.50	27.00	22.00
DABP1106Q-0806	1/2"-14	3/8"-19	15.00	11.20	9.70	9.70	34.00	22.00	27.00
DABP1106Q-0808	1/2"-14	1/2"-14	15.00	14.50	9.70	12.30	38.00	27.00	27.00
DABP1106Q-0812	1/2"-14	3/4"-14	15.00	14.50	9.70	15.50	39.50	32.00	27.00
DABP1106Q-1008	5/8"-14	1/2"-14	15.50	14.50	12.00	12.00	38.50	27.00	30.00
DABP1106Q-1208	3/4"-14	1/2"-14	17.50	14.50	15.50	12.30	39.00	27.00	32.00
DABP1106Q-1212	3/4"-14	3/4"-14	17.50	14.50	15.50	15.50	41.50	32.00	32.00
DABP1106Q-1216	3/4"-14	1"-11	17.50	18.60	15.50	21.50	46.00	41.00	32.00
DABP1106Q-1612	1"-11	3/4"-14	19.50	14.50	20.40	15.50	42.00	32.00	41.00
DABP1106Q-1616	1"-11	1"-11	19.50	18.60	20.40	21.50	48.00	41.00	41.00
DABP1106Q-1620	1"-11	1-1/4"-11	19.50	18.60	20.40	27.50	51.50	50.00	41.00
DABP1106Q-2020	1-1/4"-11	1-1/4"-11	21.00	18.60	26.00	27.50	53.50	50.00	50.00
DABP1106Q-2424	1-1/2"-11	1-1/2"-11	22.00	18.60	30.80	33.00	55.50	55.00	55.00



## DABP11305

Straight Connector BSP Swivel Female 60° - SAE Male O Ring Boss

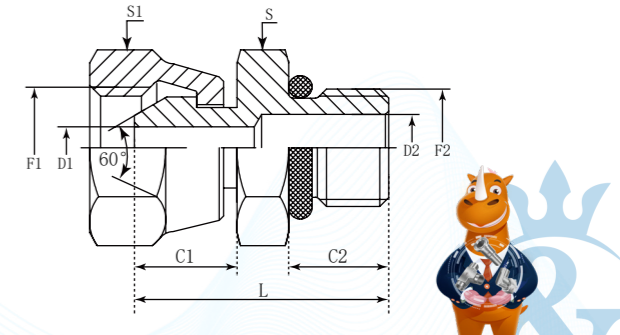
<b>D</b>	<b>A</b>	<b>BP</b>	<b>1</b>	<b>1</b>	<b>30</b>	<b>5</b>
Company	Product Range	Thread Types	Connection Type	Adaptor Structure	Thread Types	Connection Type
<b>DME</b>	Adaptor	BSPP	Swivel Female	Straight	SAE	Male O Ring

German Technology Equipment

**SHIELD FLEX**

New-Standard

- DME&JDE Code: **DABP11305**
- Product Type: **Hydraulic adaptor**
- Standard: **BSP**
- Structure: **Straight**
- Connection Type: **Swivel Female x Male**
- Thread Types: **BSPP 60° x SAE UNF O Ring**
- Sealing Method: **O Ring**



PART NUMBER	F1 (Thread)	F2 (Thread)	C1	C2	D1	D2	L	S	S1
#	BSPP	NPTF	mm	mm	mm	mm	mm	mm	mm
DABP11305-0404	1/4"-19	7/16"-20	11.50	9.14	4.37	4.37	26.00	14.00	19.00
DABP11305-0406	1/4"-19	9/16"-18	11.50	9.93	4.50	7.54	27.00	17.00	19.00
DABP11305-0604	3/8"-19	7/16"-20	12.50	9.14	7.10	4.37	27.00	17.00	22.00
DABP11305-0605	3/8"-19	1/2"-20	12.50	9.14	7.10	5.94	27.00	17.00	22.00
DABP11305-0606	3/8"-19	9/16"-18	12.50	9.93	7.10	7.10	28.00	17.00	22.00
DABP11305-0608	3/8"-19	3/4"-16	12.50	11.13	7.10	9.93	31.00	22.00	22.00
DABP11305-0610	3/8"-19	7/8"-14	12.50	12.70	7.10	12.29	35.00	27.00	22.00
DABP11305-0806	1/2"-14	9/16"-18	15.00	9.93	9.70	7.54	30.00	19.00	27.00
DABP11305-0808	1/2"-14	3/4"-16	15.00	11.13	9.70	9.70	33.00	22.00	27.00
DABP11305-0810	1/2"-14	7/8"-14	15.00	12.70	9.70	12.29	36.50	27.00	27.00
DABP11305-0812	1/2"-14	1-1/16"-12	15.00	15.09	9.70	15.47	40.00	32.00	27.00
DABP11305-1208	3/4"-14	3/4"-16	17.50	11.13	15.50	9.93	36.00	27.00	32.00
DABP11305-1210	3/4"-14	7/8"-14	17.50	12.70	15.50	12.29	37.50	27.00	32.00
DABP11305-1212	3/4"-14	1-1/16"-12	17.50	15.09	15.50	15.50	41.00	32.00	32.00
DABP11305-1216	3/4"-14	1-5/16"-12	17.50	15.09	15.50	21.44	41.00	38.00	32.00
DABP11305-1612	1"-11	1-1/16"-12	19.50	15.09	20.40	15.47	42.00	32.00	41.00
DABP11305-1616	1"-11	1-5/16"-12	19.50	15.09	20.40	21.44	42.00	38.00	41.00
DABP11305-2016	1-1/4"-11	1-5/16"-12	21.00	15.09	26.00	21.44	48.00	41.00	50.00
DABP11305-2020	1-1/4"-11	1-5/8"-12	21.00	15.09	26.00	27.38	49.50	50.00	50.00
DABP11305-2420	1-1/2"-11	1-5/8"-12	22.00	15.09	30.80	27.38	50.00	50.00	55.00
DABP11305-2424	1-1/2"-11	1-7/8"-12	22.00	15.09	30.80	33.32	50.00	55.00	55.00





## DABP1152Q

Straight Connector BSPP Swivel Female 60° – Metric Male + O Ring +Retaining Ring

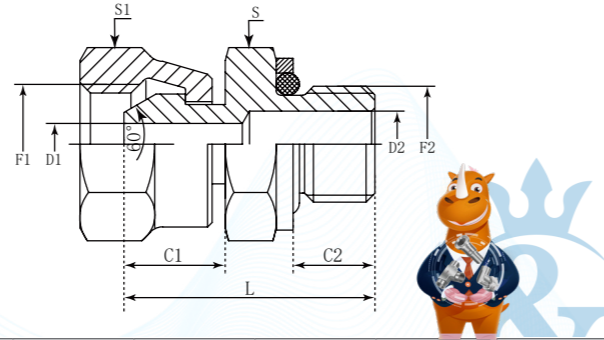
<b>D</b>	<b>A</b>	<b>BP</b>	<b>1</b>	<b>1</b>	<b>52</b>	<b>0</b>
Company	Product Range	Thread Types	Connection Type	Adaptor Structure	Thread Types	Connection Type
<b>DME</b>	Adaptor	BSPP	Swivel Female	Straight	Metric	Male + O Ring +Retaining Ring

German Technology Equipment

**SHIELD FLEX**

New-Standard

- DME&JDE Code: **DABP1152Q**
- Product Type: **Hydraulic adaptor**
- Standard: **BSP**
- Structure: **Straight**
- Connection Type: **Swivel Female x Male**
- Thread Types: **BSPP 60° Cone x BSPP**
- Sealing Method: **O Ring +Retaining Ring**



PART NUMBER	F1 (Thread)	F2 (Thread)	C1	C2	D1	D2	L	S	S1
#	BSPP	Metric	mm	mm	mm	mm	mm	mm	mm
DABP1152Q-0210	1/8"-29	M10X1	9.50	8.50	3.50	4.50	23.50	14.00	14.00
DABP1152Q-0412	1/4"-19	M12X1.5	11.50	11.00	4.50	6.00	28.00	17.00	19.00
DABP1152Q-0414	1/4"-19	M14X1.5	11.50	11.00	4.50	7.50	28.00	19.00	19.00
DABP1152Q-0616	3/8"-19	M16X1.5	12.50	11.50	7.10	9.00	31.50	22.00	22.00
DABP1152Q-0618	3/8"-19	M18X1.5	12.50	12.50	7.10	11.00	32.50	24.00	22.00
DABP1152Q-0818	1/2"-14	M18X1.5	15.00	12.50	9.70	11.00	34.50	24.00	27.00
DABP1152Q-0822	1/2"-14	M22X1.5	15.00	13.00	9.70	14.00	37.00	27.00	27.00
DABP1152Q-1022	5/8"-14	M22X1.5	15.50	13.00	12.00	14.00	37.50	27.00	30.00
DABP1152Q-1222	3/4"-14	M22X1.5	17.50	13.00	15.50	14.00	38.00	27.00	32.00
DABP1152Q-1227	3/4"-14	M27X2	17.50	16.00	15.50	18.00	42.00	32.00	32.00
DABP1152Q-1627	1"-11	M27X2	19.50	16.00	20.40	18.00	43.50	32.00	41.00
DABP1152Q-1633	1"-11	M33X2	19.50	16.00	20.40	23.00	45.50	41.00	41.00
DABP1152Q-2042	1-1/4"-11	M42X2	21.00	16.00	26.00	30.00	49.50	50.00	50.00
DABP1152Q-2448	1-1/2"-11	M48X2	22.00	17.50	30.80	36.00	51.50	55.00	55.00

## DABP1152S

Straight Connector BSPP Swivel Female 60° - Metric Male + O Ring

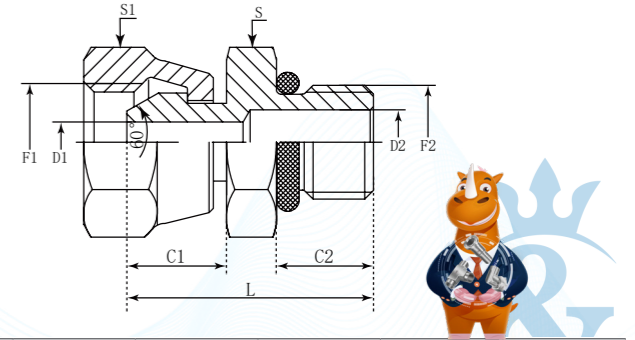
<b>D</b>	<b>A</b>	<b>BP</b>	<b>1</b>	<b>1</b>	<b>52</b>	<b>5</b>
Company	Product Range	Thread Types	Connection Type	Adaptor Structure	Thread Types	Connection Type
<b>DME</b>	Adaptor	BSPP	Swivel Female	Straight	Metric	Male + O Ring

German Technology Equipment

**SHIELD FLEX**

New-Standard

- DME&JDE Code: **DABP1152S**
- Product Type: **Hydraulic adaptor**
- Standard: **BSP**
- Structure: **Straight**
- Connection Type: **Swivel Female x Male**
- Thread Types: **BSPP 60° x Metric**
- Sealing Method: **O Ring**



PART NUMBER	F1 (Thread)	F2 (Thread)	C1	C2	D1	D2	L	S	S1
#	BSPP	Metric	mm	mm	mm	mm	mm	mm	mm
DABP1152S-0210	1/8"-29	M10X1	9.50	8.50	3.50	4.50	23.50	14.00	14.00
DABP1152S-0412	1/4"-19	M12X1.5	11.50	11.00	4.50	6.00	28.00	17.00	19.00
DABP1152S-0414	1/4"-19	M14X1.5	11.50	11.00	4.50	7.50	28.00	19.00	19.00
DABP1152S-0616	3/8"-19	M16X1.5	12.50	11.50	7.10	9.00	31.50	22.00	22.00
DABP1152S-0618	3/8"-19	M18X1.5	12.50	12.50	7.10	11.00	32.50	24.00	22.00
DABP1152S-0818	1/2"-14	M18X1.5	15.00	12.50	9.70	11.00	34.50	24.00	27.00
DABP1152S-0822	1/2"-14	M22X1.5	15.00	13.00	9.70	14.00	37.00	27.00	27.00
DABP1152S-1022	5/8"-14	M22X1.5	15.50	13.00	12.00	14.00	37.50	27.00	30.00
DABP1152S-1222	3/4"-14	M22X1.5	17.50	13.00	15.50	14.00	38.00	27.00	32.00
DABP1152S-1227	3/4"-14	M27X2	17.50	16.00	15.50	18.00	42.00	32.00	32.00
DABP1152S-1627	1"-11	M27X2	19.50	16.00	20.40	18.00	43.50	32.00	41.00
DABP1152S-1633	1"-11	M33X2	19.50	16.00	20.40	23.00	45.50	41.00	41.00
DABP1152S-2042	1-1/4"-11	M42X2	21.00	16.00	26.00	30.00	49.50	50.00	50.00
DABP1152S-2448	1-1/2"-11	M48X2	22.00	17.50	30.80	36.00	51.50	55.00	55.00



## DABP1107M

Straight Connector BSPP Swivel Female 60° - BSPT Male 60°

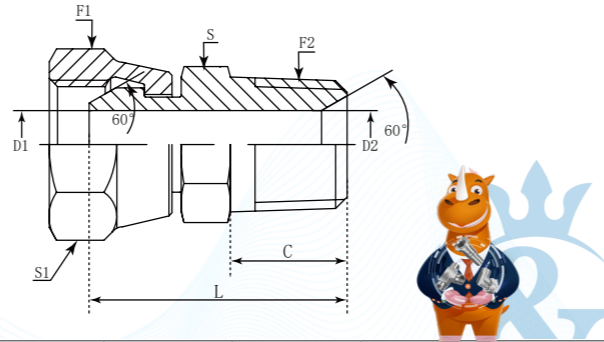
<b>D</b>	<b>A</b>	<b>BP</b>	<b>1</b>	<b>1</b>	<b>07</b>	<b>M</b>
Company	Product Range	Thread Types	Connection Type	Adaptor Structure	Thread Types	Connection Type
<b>DME</b>	Adaptor	BSPP	Swivel Female	Straight	BSPT	Male

German Technology Equipment

**SHIELD FLEX**

New-Standard

- DME&JDE Code: **DABP1107M**
- Product Type: **Hydraulic adaptor**
- Standard: **BSP**
- Structure: **Straight**
- Connection Type: **Swivel Female x Male**
- Thread Types: **BSPP 60° x BSPT 60°**



PART NUMBER	F1 (Thread)	F2 (Thread)	C	D1	D2	L	S	S1
#	BSPP	BSPT	mm	mm	mm	mm	mm	mm
DABP1107M-0202	1/8"-28	1/8"-28	10.00	3.50	4.50	25.00	12.00	14.00
DABP1107M-0204	1/8"-28	1/4"-19	14.00	3.50	6.00	29.50	17.00	14.00
DABP1107M-0402	1/4"-19	1/8"-28	10.00	4.50	4.50	27.00	12.00	19.00
DABP1107M-0404	1/4"-19	1/4"-19	14.00	4.70	6.00	32.00	17.00	19.00
DABP1107M-0406	1/4"-19	3/8"-19	15.00	4.70	9.00	33.00	19.00	19.00
DABP1107M-0408	1/4"-19	1/2"-14	19.00	4.70	12.00	39.00	22.00	19.00
DABP1107M-0604	3/8"-19	1/4"-19	14.00	7.90	6.00	32.50	17.00	22.00
DABP1107M-0606	3/8"-19	3/8"-19	15.00	7.90	9.00	34.00	19.00	22.00
DABP1107M-0608	3/8"-19	1/2"-14	19.00	7.90	12.00	40.00	22.00	22.00
DABP1107M-0804	1/2"-14	1/4"-19	14.00	11.10	6.00	36.00	19.00	27.00
DABP1107M-0806	1/2"-14	3/8"-19	15.00	11.10	9.00	37.00	19.00	27.00
DABP1107M-0808	1/2"-14	1/2"-14	19.00	11.10	11.10	42.00	22.00	27.00
DABP1107M-0812	1/2"-14	3/4"-14	20.00	11.10	16.70	44.00	30.00	27.00
DABP1107M-1206	3/4"-14	3/8"-19	15.00	15.00	9.00	41.00	27.00	32.00
DABP1107M-1208	3/4"-14	1/2"-14	19.00	16.70	12.00	45.00	27.00	32.00
DABP1107M-1212	3/4"-14	3/4"-14	20.00	16.70	16.70	46.50	30.00	32.00
DABP1107M-1216	3/4"-14	1"-11	24.00	16.70	22.20	53.00	36.00	32.00
DABP1107M-1612	1"-11	3/4"-14	20.00	20.40	16.70	48.00	32.00	41.00
DABP1107M-1616	1"-11	1"-11	24.00	22.20	22.20	55.00	36.00	41.00
DABP1107M-2016	1-1/4"-11	1"-11	24.00	28.60	22.20	58.00	41.00	50.00
DABP1107M-2020	1-1/4"-11	1-1/4"-11	25.00	28.60	28.60	58.00	46.00	50.00
DABP1107M-2424	1-1/2"-11	1-1/2"-11	25.00	33.30	33.30	61.50	50.00	55.00
DABP1107M-3232	2"-11	2"-11	30.00	46.00	46.00	69.00	65.00	70.00

## DABPD0000

NUT BSPP

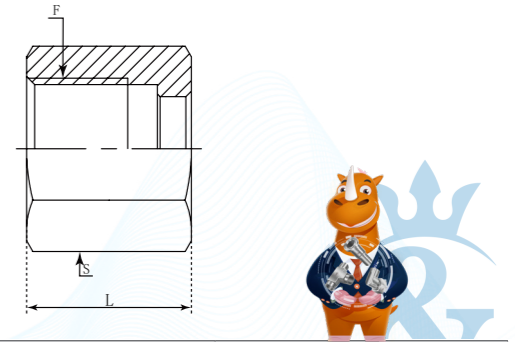
<b>D</b>	<b>A</b>	<b>BP</b>	<b>D</b>	<b>0</b>	<b>000</b>
Company	Product Range	Thread Types	Sealing Type	Compatible Type	Other Features
<b>DME</b>	Adaptor	BSPP	Welding	Tube	Nut/Plug

German Technology Equipment

**SHIELD FLEX**

New-Standard

- DME&JDE Code: **DABPD0000**
- Product Type: **Hydraulic adaptor**
- Adaptor Standard: **BSP**
- Thread Types: **BSPP**
- Other Features: **Nut/Plug**
- Sealing Type: **Welding**



PART NUMBER	F (Thread)	L	S
#	BSPP	mm	mm
DABPD0000-0400	1/4"-19	15.00	19.00
DABPD0000-0600	3/8"-19	17.00	22.00
DABPD0000-0800	1/2"-14	20.10	27.00
DABPD0000-1000	5/8"-14	21.80	30.00
DABPD0000-1200	3/4"-14	22.60	32.00
DABPD0000-1600	1"-11	27.60	41.00



## DABP31000

Female Cap BSPP

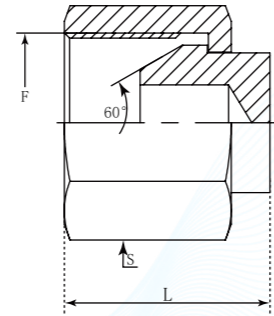
<b>D</b>	<b>A</b>	<b>BP</b>	<b>3</b>	<b>1</b>	<b>000</b>
Company	Product Range	Thread Types	Connection Type	Adaptor Structure	Other Features
<b>DME</b>	Adaptor	BSPP	Slip-on Female	Straight	Nut/Plug

German Technology Equipment

**SHIELD FLEX**

New-Standard

- DME&JDE Code: **DABP31000**
- Product Type: **Hydraulic adaptor**
- Standard: **BSP**
- Structure: **Straight**
- Connection Type: **Slip-on Female**
- Thread Types: **BSPP**
- Other Features: **Nut/Plug**



PART NUMBER	F (Thread)	L	S
#	BSPP	mm	mm
DABP31000-0200	1/8"-28	14.00	14.00
DABP31000-0400	1/4"-19	16.00	19.00
DABP31000-0600	3/8"-19	17.50	22.00
DABP31000-0800	1/2"-14	20.50	27.00
DABP31000-1000	5/8"-14	22.00	30.00
DABP31000-1200	3/4"-14	25.00	32.00
DABP31000-1600	1"-11	29.00	41.00
DABP31000-2000	1-1/4"-11	29.20	50.00
DABP31000-2400	1-1/2"-11	32.00	55.00
DABP31000-3200	2"-11	34.00	70.00

## DABP31000-C

Female Cap BSPP

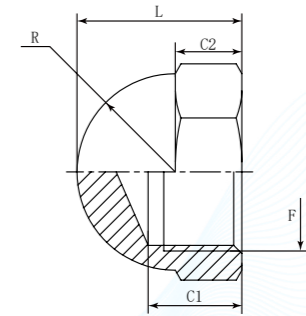
<b>D</b>	<b>A</b>	<b>BP</b>	<b>3</b>	<b>1</b>	<b>000</b>	<b>C</b>
Company	Product Range	Thread Types	Connection Type	Adaptor Structure	Other Features	Plug Type
<b>DME</b>	Adaptor	BSPP	Female	Straight	Nut/Plug	Cap

German Technology Equipment

**SHIELD FLEX**

New-Standard

- DME&JDE Code: **DABP31000-C**
- Product Type: **Hydraulic adaptor**
- Standard: **BSP**
- Structure: **straight**
- Connection Type: **Female**
- Thread Types: **BSPP**
- Other Features: **Nut/Plug**



PART NUMBER	F (Thread)	L	R	C1	C2	S
#	BSPP	mm	mm	mm	mm	mm
DABP31000-400-C	1/4"-19	19.00	9.00	11.00	10.00	19
DABP31000-600-C	3/8"-19	22.00	11.00	13.00	11.00	22
DABP31000-800-C	1/2"-14	26.00	13.00	15.00	12.00	27
DABP31000-1200-C	3/4"-14	31.00	16.00	17.00	13.00	32
DABP31000-1600-C	1"-11	36.00	20.00	19.00	16.00	41



## DABPF105F

Straight Connector BSPP Female Fixed

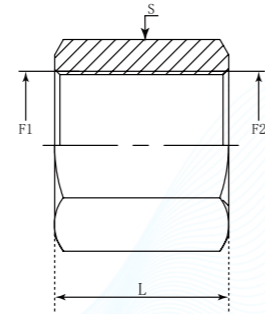
<b>D</b>	<b>A</b>	<b>BP</b>	<b>F</b>	<b>1</b>	<b>05</b>	<b>F</b>
Company	Product Range	Thread Types	Connection Type	Adaptor Structure	Thread Types	Connection Type
<b>DME</b>	Adaptor	BSPP	Female	Straight	BSPP	Female

German Technology Equipment

**SHIELD FLEX**

New-Standard

- DME&JDE Code: **DABPF105F**
- Product Type: **Hydraulic adaptor**
- Standard: **BSP**
- Structure: **Straight**
- Connection Type: **Fixed Female**
- Thread Types: **BSPP**



PART NUMBER	F1 (Thread)	F2 (Thread)	L	S
#	BSPP	BSPP	mm	mm
DABPF105F-0202	1/8"-28	1/8"-28	22.00	14.00
DABPF105F-0402	1/4"-19	1/8"-28	24.00	19.00
DABPF105F-0404	1/4"-19	1/4"-19	25.00	19.00
DABPF105F-0602	3/8"-19	1/8"-28	27.00	22.00
DABPF105F-0604	3/8"-19	1/4"-19	27.00	22.00
DABPF105F-0606	3/8"-19	3/8"-19	27.00	22.00
DABPF105F-0804	1/2"-14	1/4"-19	29.50	27.00
DABPF105F-0806	1/2"-14	3/8"-19	30.50	27.00
DABPF105F-0808	1/2"-14	1/2"-14	35.00	27.00
DABPF105F-1008	5/8"-14	1/2"-14	40.00	30/32
DABPF105F-1010	5/8"-14	5/8"-14	36.00	30.00
DABPF105F-1206	3/4"-14	3/8"-19	40.00	32.00
DABPF105F-1208	3/4"-14	1/2"-14	34.00	32.00
DABPF105F-1212	3/4"-14	3/4"-14	40.00	32.00
DABPF105F-1612	1"-11	3/4"-14	41.00	41.00
DABPF105F-1616	1"-11	1"-11	45.00	41.00
DABPF105F-2012	1-1/4"-11	3/4"-14	45.00	50.00
DABPF105F-2016	1-1/4"-11	1"-11	50.00	50.00
DABPF105F-2020	1-1/4"-11	1-1/4"-11	48.00	50.00
DABPF105F-2420	1-1/2"-11	1-1/4"-11	50.00	60.00
DABPF105F-2424	1-1/2"-11	1-1/2"-11	54.00	55.00
DABPF105F-3220	2"-11	1-1/4"-11	55.00	70.00
DABPF105F-3224	2"-11	1-1/2"-11	55.00	70.00
DABPF105F-3232	2"-11	2"-11	60.00	70.00
DABPF105F-4032	2-1/2"-11	2"-11	70.00	90.00



## DABPF128F

Straight Coupling BSPP Fixed Female - NPTF Fixed Female

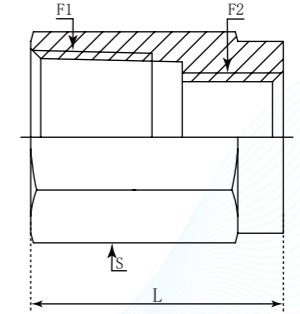
<b>D</b>	<b>A</b>	<b>BP</b>	<b>F</b>	<b>1</b>	<b>28</b>	<b>F</b>
Company	Product Range	Thread Types	Connection Type	Adaptor Structure	Thread Types	Connection Type
<b>DME</b>	Adaptor	BSPP	Female	Straight	NPTF	Female

German Technology Equipment

**SHIELD FLEX**

New-Standard

- DME&JDE Code: **DABPF128F**
- Product Type: **Hydraulic adaptor**
- Standard: **BSP**
- Structure: **Straight**
- Connection Type: **Female x Female**
- Thread Types: **BSPP Fixed Female x NPTF Fixed Female**



PART NUMBER	F1 (Thread)	F2 (Thread)	L	S
#	BSPP	NPTF	mm	mm
DABPF128F-0202	1/8"-28	1/8"-27	23.00	15.88
DABPF128F-0404	1/4"-19	1/4"-18	30.00	19.00
DABPF128F-0604	3/8"-19	1/4"-18	30.50	22.00
DABPF128F-0606	3/8"-19	3/8"-18	30.50	22.00
DABPF128F-0808	1/2"-14	1/2"-14	41.50	28.58
DABPF128F-1212	3/4"-14	3/4"-14	46.80	34.93
DABPF128F-1616	1"-11	1"-11-1/2	53.50	41.28
DABPF128F-2016	1-1/4"-11	1"-11-1/2	55.50	50.00
DABPF128F-2020	1-1/4"-11	1-1/4"-11-1/2	56.00	50.80
DABPF128F-2424	1-1/2"-11	1-1/2"-11-1/2	58.50	60.00
DABPF128F-3232	2"-11	2"-11-1/2	58.50	70.00





## DABPF1081

Straight Connector BSPP Fixed Female – BSPP Swivel Female 60°

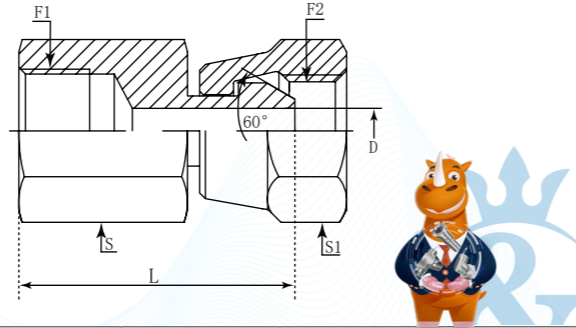
<b>D</b>	<b>A</b>	<b>BP</b>	<b>F</b>	<b>1</b>	<b>081</b>
Company	Product Range	Thread Types	Connection Type	Adaptor Structure	Thread Types
<b>DME</b>	Adaptor	BSPP	Male	Straight	BSPP Swivel Female

German Technology Equipment

**SHIELD FLEX**

New-Standard

- DME&JDE Code: **DABPF1081**
- Product Type: **Hydraulic adaptor**
- Standard: **BSP**
- Structure: **Straight**
- Connection Type: **Fixed Female x Swivel Female**
- Thread Types: **BSPP x BSPP 60°**



PART NUMBER	F1 (Thread)	F2 (Thread)	D	L	S	S1
#	BSPP	BSPP	mm	mm	mm	mm
DABPF1081-0404	1/4"-19	1/4"-19	4.70	30.50	19.00	19.00
DABPF1081-0606	3/8"-19	3/8"-19	7.90	33.00	22.00	22.00
DABPF1081-0808	1/2"-14	1/2"-14	11.10	39.00	27.00	27.00
DABPF1081-0812	1/2"-14	3/4"-14	16.70	42.00	27.00	32.00
DABPF1081-1212	3/4"-14	3/4"-14	16.70	45.00	32.00	32.00
DABPF1081-1616	1"-11	1"-11	22.20	52.00	41.00	41.00
DABPF1081-2020	1-1/4"-11	1-1/4"-11	28.60	56.00	50.00	50.00
DABPF1081-2424	1-1/2"-11	1-1/2"-11	33.3	61	55	55
DABPF1081-3232	2"-11	2"-11	46	63	70	70

## DABP11081

Straight Connector BSPP Swivel Female 60° - BSPP Swivel Female 60°

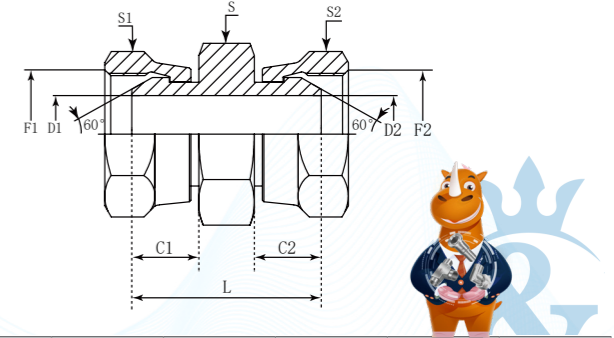
<b>D</b>	<b>A</b>	<b>BP</b>	<b>1</b>	<b>1</b>	<b>081</b>
Company	Product Range	Thread Types	Connection Type	Adaptor Structure	Connection Type
<b>DME</b>	Adaptor	BSPP	Swivel Female	Straight	BSPP Swivel Female

German Technology Equipment

**SHIELD FLEX**

New-Standard

- DME&JDE Code: **DABP11081**
- Product Type: **Hydraulic adaptor**
- Standard: **BSP**
- Structure: **Straight**
- Connection Type: **Swivel Female x Swivel Female**
- Thread Types: **BSPP Swivel Female x BSPP Swivel Female**



PART NUMBER	F1 (Thread)	F2 (Thread)	C1	C2	D1	D2	L	S	S1	S2
#	BSPP	BSPP	mm	mm	mm	mm	mm	mm	mm	mm
DABP11081-0404	1/4"-19	1/4"-19	11.50	11.50	4.70	4.70	29.00	14.00	19.00	19.00
DABP11081-0604	3/8"-19	1/4"-19	12.50	11.50	7.90	4.70	31.50	17.00	22.00	19.00
DABP11081-0606	3/8"-19	3/8"-19	12.50	12.50	7.10	7.10	32.50	17.00	22.00	22.00
DABP11081-0804	1/2"-14	1/4"-19	15.00	11.50	11.10	4.70	33.50	22.00	27.00	19.00
DABP11081-0806	1/2"-14	3/8"-19	15.00	12.50	11.10	7.90	34.50	22.00	27.00	22.00
DABP11081-0808	1/2"-14	1/2"-14	15.00	15.00	10.00	10.00	38.00	22.00	27.00	27.00
DABP11081-1008	5/8"-14	1/2"-14	15.50	15.00	12.30	11.10	39.00	24.00	30.00	27.00
DABP11081-1010	5/8"-14	5/8"-14	15.50	15.50	12.30	12.30	39.00	24.00	30.00	30.00
DABP11081-1208	3/4"-14	1/2"-14	17.50	15.00	16.70	11.10	41.00	27.00	32.00	27.00
DABP11081-1210	3/4"-14	5/8"-14	17.50	15.50	15.50	14.00	41.50	27.00	32.00	30.00
DABP11081-1212	3/4"-14	3/4"-14	17.50	17.50	15.50	15.50	43.50	27.00	32.00	32.00
DABP11081-1608	1"-11	1/2"-14	19.50	15.00	22.20	11.10	45.50	36.00	41.00	27.00
DABP11081-1612	1"-11	3/4"-14	19.50	17.50	22.20	16.70	49.00	36.00	41.00	32.00
DABP11081-1616	1"-11	1"-11	19.50	19.50	22.20	22.20	50.00	36.00	41.00	41.00
DABP11081-2012	1-1/4"-11	3/4"-14	21.00	17.50	26.00	16.70	51.50	41.00	50.00	32.00
DABP11081-2020	1-1/4"-11	1-1/4"-11	21.00	21.00	26.00	26.00	55.00	41.00	50.00	50.00
DABP11081-2420	1-1/2"-11	1-1/4"-11	22.00	21.00	33.30	28.60	57.00	50.00	55.00	50.00
DABP11081-2424	1-1/2"-11	1-1/2"-11	22.00	22.00	33.30	33.30	58.00	50.00	55.00	55.00
DABP11081-3232	2"-11	2"-11	23.00	23.00	46.00	46.00	61.50	60.00	70.00	70.00

## DABP11251

Straight Connector BSPP Swivel Female 60° - JIC Swivel Female 74°

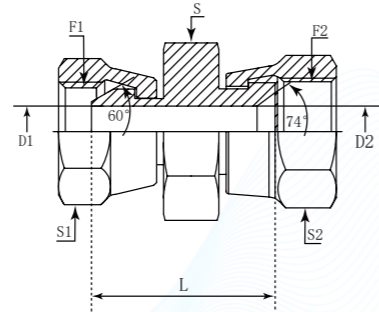
<b>D</b>	<b>A</b>	<b>BP</b>	<b>1</b>	<b>1</b>	<b>251</b>
Company	Product Range	Thread Types	Connection Type	Adaptor Structure	Connection Type
<b>DME</b>	Adaptor	BSPP	Swivel Female	Straight	JIC Swivel Female

**German Technology Equipment**

**SHIELD FLEX**

New-Standard

- DME&JDE Code: **DABP11251**
- Product Type: **Hydraulic adaptor**
- Standard: **BSP**
- Structure: **Straight**
- Connection Type: **Swivel Female × Swivel Female**
- Thread Types: **BSPP 60° × JIC UNF 74°**



PART NUMBER	F1 (Thread)	F2 (Thread)	D1	D2	L	S	S1	S2
#	BSPP	UNF	mm	mm	mm	mm	mm	mm
DABP11251-0404	1/4"-19	7/16"-20	4.37	4.37	26.00	14.00	19.00	17.00
DABP11251-0405	1/4"-19	1/2"-20	4.70	4.70	26.50	14.00	19.00	15.88
DABP11251-0406	1/4"-19	9/16"-18	4.70	7.54	27.00	14.00	19.00	19.00
DABP11251-0604	3/8"-19	7/16"-20	7.10	4.37	28.50	17.00	22.00	17.00
DABP11251-0605	3/8"-19	1/2"-20	7.10	5.94	29.00	17.00	22.00	15.88
DABP11251-0606	3/8"-19	9/16"-18	7.54	7.54	28.50	19.00	22.00	19.00
DABP11251-0608	3/8"-19	3/4"-16	7.10	9.93	33.50	20.64	22.00	22.23
DABP11251-0806	1/2"-14	9/16"-18	11.10	7.54	32.00	22.00	27.00	19.00
DABP11251-0808	1/2"-14	3/4"-16	9.93	9.93	34.00	22.00	27.00	22.00
DABP11251-0812	1/2"-14	1-1/16"-12	11.10	15.47	38.00	27.00	27.00	32.00
DABP11251-1010	5/8"-14	7/8"-14	12.29	12.29	35.50	24.00	30.00	27.00
DABP11251-1012	5/8"-14	1-1/16"-12	14.30	15.47	37.50	27.00	30.00	32.00
DABP11251-1208	3/4"-14	3/4"-16	16.70	9.93	37.50	27.00	32.00	22.23
DABP11251-1210	3/4"-14	7/8"-14	16.70	12.29	38.00	27.00	32.00	27.00
DABP11251-1212	3/4"-14	1-1/16"-12	15.47	15.47	40.00	27.00	32.00	32.00
DABP11251-1216	3/4"-14	1-5/16"-12	16.70	21.44	41.00	32.00	32.00	41.00
DABP11251-1612	1"-11	1-1/16"-12	22.20	15.47	45.00	36.00	41.00	32.00
DABP11251-1616	1"-11	1-5/16"-12	21.44	21.44	43.00	32.00	41.00	41.00
DABP11251-2020	1-1/4"-11	1-5/8"-12	26.00	26.00	49.50	41.00	50.00	50.00

## DABTF107F

Straight Connector BSPT Female Fixed

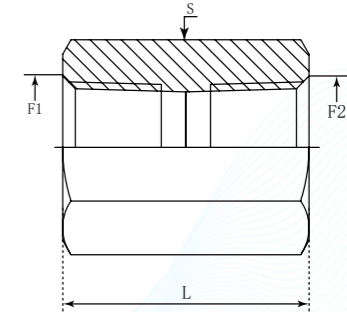
<b>D</b>	<b>A</b>	<b>BT</b>	<b>F</b>	<b>1</b>	<b>07</b>	<b>F</b>
Company	Product Range	Thread Types	Connection Type	Adaptor Structure	Thread Types	Connection Type
<b>DME</b>	Adaptor	BSPT	Female	Straight	BSPT	Fixed Female

**German Technology Equipment**

**SHIELD FLEX**

New-Standard

- DME&JDE Code: **DABTF107F**
- Product Type: **Hydraulic adaptor**
- Standard: **BSP**
- Structure: **Straight**
- Connection Type: **Female × Fixed Female**
- Thread Types: **BSPT × BSPT**



PART NUMBER	F1 (Thread)	F2 (Thread)	L	S
#	BSPP	BSPP	mm	mm
DABTF107F-0404	1/4"-19	1/4"-19	30.00	19.00
DABTF107F-0602	3/8"-19	1/8"-28	26.00	22.00
DABTF107F-0804	1/2"-14	1/4"-19	35.00	27.00
DABTF107F-0806	1/2"-14	3/8"-19	40.00	27.00
DABTF107F-0808	1/2"-14	1/2"-14	40.00	27.00
DABTF107F-1612	1"-11	3/4"-14	50.00	41.00
DABTF107F-1616	1"-11	1"-11	50.00	41.00
DABTF107F-2016	1-1/4"-11	1"-11	53.00	50.00
DABTF107F-2020	1-1/4"-11	1-1/4"-11	55.00	50.00
DABTF107F-2424	1-1/2"-11	1-1/2"-11	55.00	55.00
DABTF107F-3232	2"-11	2"-11	65.00	70.00





# DABPM100S

Straight Adaptor BSPP Male 60° – Butt Welding

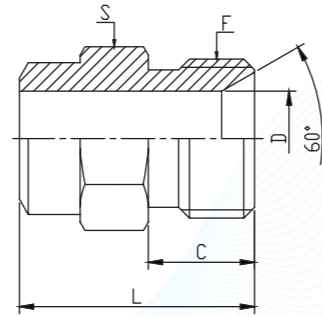
German Technology Equipment

SHIELD FLEX

New-Standard

- D** Company: DME
- A** Product Range: Adaptor
- BP** Thread Types: BSPP
- M** Connection Type: Male
- 1** Adaptor Structure: Straight
- 00** Sealing Type: Welding
- S** Welding Type: Butt

- DME&JDE Code: DABPM100S
- Product Type: Hydraulic adaptor
- Standard: BSP
- Structure: Straight
- Connection Type: Male
- Thread Types: BSPP
- Sealing Method: Butt Welding



PART NUMBER	F (Thread)	C	D	L	S
#	BSPP	mm	mm	mm	mm
DABPM100S-0414	1/4"-19	11.00	6.00	22.00	17.00
DABPM100S-0616	3/8"-19	12.00	9.50	26.00	17.00
DABPM100S-0820	1/2"-14	14.00	12.50	31.00	22.00
DABPM100S-1225	3/4"-14	16.00	16.70	37.00	27.00
DABPM100S-1632	1"-11	19.00	21.50	42.00	34.00
DABPM100S-2041	1-1/4"-11	20.00	27.50	46.00	42.00
DABPM100S-2446	1-1/2"-11	22.00	33.30	53.00	50.00

# DABPM100B

Bonding (socket welding) Connector BSPP Male 60° – Metric / Imperial Tube

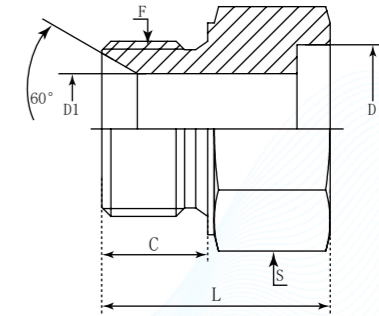
German Technology Equipment

SHIELD FLEX

New-Standard

- D** Company: DME
- A** Product Range: Adaptor
- BP** Thread Types: BSPP
- M** Connection Type: Male
- 1** Adaptor Structure: Straight
- 00** Sealing Type: Welding
- B** Welding Type: Socket Welding

- DME&JDE Code: DABPM100B
- Product Type: Hydraulic adaptor
- Standard: BSP
- Structure: Straight
- Connection Type: Male
- Thread Types: BSPP
- Sealing Type: Socket Welding



PART NUMBER	F (Thread)	C	D1	D	L	S
#	BSPP	mm	mm	mm	mm	mm
DABPM100B-0410	1/4"-19	11.00	4.70	9.60	22.00	19.00
DABPM100B-0612	3/8"-19	12.00	7.90	12.70	23.50	22.00
DABPM100B-0812	1/2"-14	14.00	11.10	12.70	30.00	27.00
DABPM100B-0820	1/2"-14	14.00	11.10	19.00	32.00	27.00
DABPM100B-1220	3/4"-14	16.00	16.70	19.00	34.50	32.00
DABPM100B-1625	1"-11	19.00	22.20	25.40	39.50	41.00
DABPM100B-2032	1-1/4"-11	20.00	28.60	31.80	39.50	50.00



## DABTM100B

Bonding (socket welding) Connector BSPT Male 60° - Metric / Imperial Tube

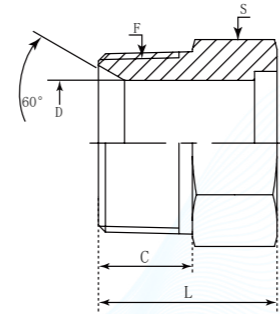
<b>D</b>	<b>A</b>	<b>BT</b>	<b>M</b>	<b>1</b>	<b>00</b>	<b>B</b>
Company	Product Range	Thread Types	Connection Type	Adaptor Structure	Thread Types	Connection Type
<b>DME</b>	Adaptor	BSPT	Male	Straight	Metric	Socket Welding

German Technology Equipment

**SHIELD FLEX**

New-Standard

- DME&JDE Code:** DABTM100B
- Product Type:** Hydraulic adaptor
- Standard:** BSP
- Structure:** Straight
- Connection Type:** Male
- Thread Types:** BSPT
- Sealing Method:** Socket Welding



PART NUMBER	F (Thread)	C	D	L	S
#	BSPT	mm	mm	mm	mm
DABTM100B-0406	1/4"-19	14.00	6.00	23.50	14.00
DABTM100B-0410	1/4"-19	14.00	6.00	24.50	14.00
DABTM100B-0610	3/8"-19	15.00	6.00	25.00	19.00
DABTM100B-0612	3/8"-19	15.00	9.00	25.00	19.00
DABTM100B-0812	1/2"-14	19.00	12.00	32.00	22.00
DABTM100B-0816	1/2"-14	19.00	12.00	33.00	22.00
DABTM100B-0820	1/2"-14	19.00	12.00	36.00	24.00
DABTM100B-1220	3/4"-14	20.00	16.70	36.00	30.00
DABTM100B-1225	3/4"-14	20.00	16.70	37.00	32.00
DABTM100B-1625	1"-11	24.00	22.20	42.50	36.00
DABTM100B-3250	2"-11	30.00	46.00	47.00	66.68

## DABTM1000

Male Plug BSPT Male 60°

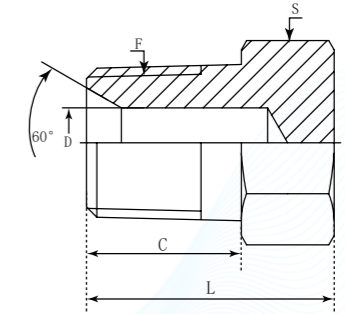
<b>D</b>	<b>A</b>	<b>BT</b>	<b>M</b>	<b>1</b>	<b>000</b>
Company	Product Range	Thread Types	Connection Type	Adaptor Structure	Connection Type
<b>DME</b>	Adaptor	BSPT	Male	Straight	Male Plug

German Technology Equipment

**SHIELD FLEX**

New-Standard

- DME&JDE Code:** DABTM1000
- Product Type:** Hydraulic adaptor
- Standard:** BSP
- Structure:** Straight
- Connection Type:** Male x Male
- Thread Types:** Male Plug BSPT Male 60°



PART NUMBER	F (Thread)	C	D	L	S
#	BSPP	mm	mm	mm	mm
DABTM1000-0200	1/8"-28	10.00	4.50	16.00	12.00
DABTM1000-0400	1/4"-19	14.00	6.00	21.00	14.00
DABTM1000-0600	3/8"-19	14.50	9.00	21.00	19.00
DABTM1000-0800	1/2"-14	19.00	11.00	27.00	32.00
DABTM1000-1000	5/8"-14	19.00	14.00	29.00	24.00
DABTM1000-1200	3/4"-14	19.00	16.70	28.00	29.00
DABTM1000-1600	1"-11	24.00	22.20	36.00	36.00
DABTM1000-2000	1-1/4"-11	25.00	28.50	37.50	46.00
DABTM1000-2400	1-1/2"-11	25.00	33.50	40.00	50.00
DABTM1000-3200	2"-11	30.00	45.00	45.00	65.00





## DABP1100B

Straight Welding Connector BSPP Swivel Female – Metric/Imperial Tube

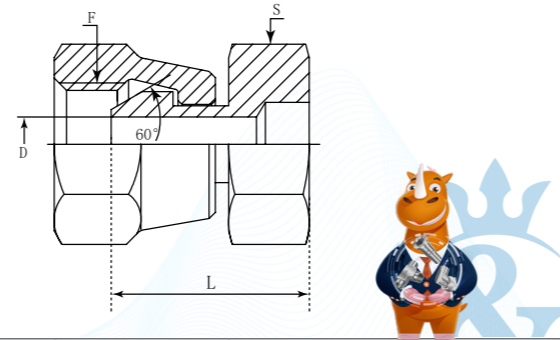
German Technology Equipment

**SHIELD FLEX**

New-Standard

- D** Company: **DME**
- A** Product Range: Adaptor
- BP** Thread Types: BSPP
- 1** Connection Type: Swivel Female
- 1** Adaptor Structure: Straight
- 00** Sealing Type: Welding
- B** Welding Type: Socket Welding

- DME&JDE Code:** DABP1100B
- Product Type:** Hydraulic adaptor
- Standard:** BSP
- Structure:** Straight
- Connection Type:** Swivel Female
- Thread Types:** BSPP
- Sealing Method:** Socket Welding



PART NUMBER	F (Thread)	D	L	S	S1
#	BSPP	mm	mm	mm	mm
DABP1100B-0406	1/4"-19	4.7	20	14	19
DABP1100B-0610	3/8"-19	7.90	22.00	17.00	22.00
DABP1100B-0812	1/2"-14	11.10	24.00	19.00	27.00
DABP1100B-1220	3/4"-14	16.70	31.00	27.00	32.00
DABP1100B-1625	1"-11	22.20	33.00	32.00	41.00
DABP1100B-2032	1-1/4"-11	28.60	37.50	41.00	50.00
DABP1100B-2438	1-1/2"-11	33.30	40.00	50.00	55.00

## DABPM105T

Straight Bulkhead Connector BSPP Male 60°- BSPP Male 60°

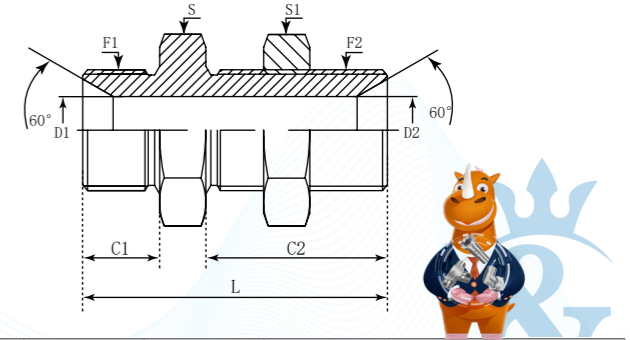
German Technology Equipment

**SHIELD FLEX**

New-Standard

- D** Company: **DME**
- A** Product Range: Adaptor
- BP** Thread Types: BSPP
- M** Connection Type: Male
- 1** Adaptor Structure: Straight
- 05** Thread Types: BSPP
- T** Other Features: Bulkhead

- DME&JDE Code:** DABPM105T
- Product Type:** Hydraulic adaptor
- Standard:** BSP
- Structure:** Straight
- Connection Type:** Male x Male
- Thread Types:** BSPP 60° x BSPP 60°
- Other Features:** Bulkhead



PART NUMBER	F1 (Thread)	F2 (Thread)	C1	C2	D1	D2	L	S	S1
#	BSPP	BSPP	mm	mm	mm	mm	mm	mm	mm
DABPM105T-0202	1/8"-28	1/8"-28	9.00	25.00	3.50	3.50	41.50	14.00	14.00
DABPM105T-0404	1/4"-19	1/4"-19	11.00	28.00	4.70	4.70	46.00	19.00	19.00
DABPM105T-0606	3/8"-19	3/8"-19	12.00	31.00	7.90	7.90	52.00	22.00	22.00
DABPM105T-0808	1/2"-14	1/2"-14	14.00	35.00	11.10	11.10	59.00	27.00	27.00
DABPM105T-1010	5/8"-14	5/8"-14	16.00	35.00	14.00	14.00	63.00	30.00	30.00
DABPM105T-1212	3/4"-14	3/4"-14	16.00	38.00	16.70	16.70	66.00	32.00	32.00
DABPM105T-1616	1"-11	1"-11	19.00	41.00	22.20	22.20	75.00	41.00	41.00
DABPM105T-2020	1-1/4"-11	1-1/4"-11	20.00	44.00	28.60	28.60	83.00	50.00	50.00
DABPM105T-2424	1-1/2"-11	1-1/2"-11	22.00	48.00	33.30	33.30	93.00	55.00	55.00
DABPM105T-3232	2"-11	2"-11	25.00	59.00	46.00	46.00	100.00	70.00	70.00



## DABPM105T-ED

Straight Bulkhead Connector BSPP Male 60° ED Seal - BSPP 60° Male

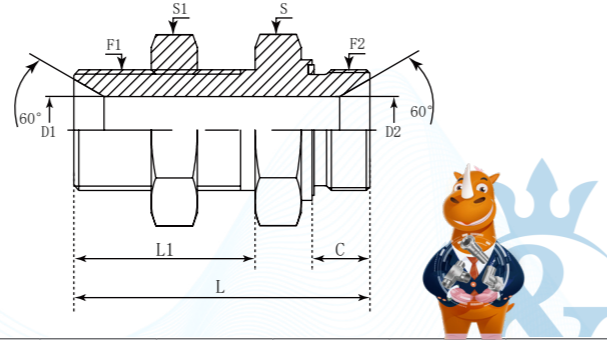
<b>D</b>	<b>A</b>	<b>BP</b>	<b>M</b>	<b>1</b>	<b>05</b>	<b>T</b>	<b>ED</b>
Company	Product Range	Thread Types	Connection Type	Adaptor Structure	Thread Types	Connection Type	Sealing Method
<b>DME</b>	Adaptor	BSPP	Male	Straight	BSPP	Bulkhead Connector	ED Ring

German Technology Equipment

**SHIELD FLEX**

New-Standard

- DME&JDE Code: **DABPM105T-ED**
- Product Type: **Hydraulic adaptor**
- Standard: **BSP**
- Structure: **Straight**
- Connection Type: **Male x Male**
- Thread Types: **BSPP 60° ED Ring x BSPP 60° Cone**
- Sealing Method: **ED Seal**
- Other Features: **Bulkhead**



PART NUMBER	F1 (Thread)	F2 (Thread)	C	D1	D2	L1	L	S	S1
#	BSPP	NPTF	mm	mm	mm	mm	mm	mm	mm
DABPM105T-0404ED	1/4"-19	1/4"-19	12.00	4.70	4.70	35.00	55.00	19.00	19.00
DABPM105T-0606ED	3/8"-19	3/8"-19	12.00	7.90	7.90	35.00	57.50	22.00	22.00
DABPM105T-0808ED	1/2"-14	1/2"-14	14.00	11.10	11.10	39.00	66.00	27.00	27.00
DABPM105T-1212ED	3/4"-14	3/4"-14	16.00	16.70	16.70	42.00	72.00	32.00	32.00
DABPM105T-1616ED	1"-11	1"-11	18.00	22.20	22.20	50.00	84.00	41.00	41.00
DABPM105T-2020ED	1-1/4"-11	1-1/4"-11	20.00	28.60	28.60	52.00	90.00	50.00	50.00
DABPM105T-2424ED	1-1/2"-11	1-1/2"-11	22.00	33.30	33.30	56.00	96.00	55.00	55.00
DABPM105T-3232ED	2"-11	2"-11	22.00	46.00	46.00	59.00	100.00	70.00	70.00

## DABPLN

BSPP Bulkhead Nut

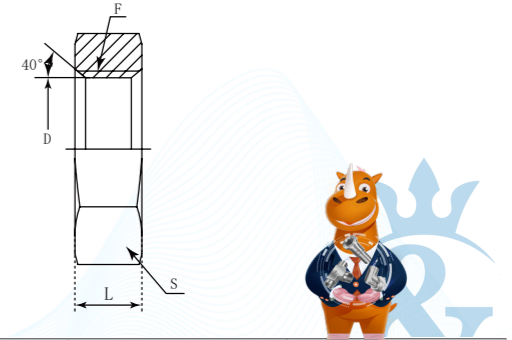
<b>D</b>	<b>A</b>	<b>BP</b>	<b>LN</b>
Company	Product Range	Thread Types	Other Features
<b>DME</b>	Adaptor	BSPP	Bulkhead

German Technology Equipment

**SHIELD FLEX**

New-Standard

- DME&JDE Code: **DABPLN**
- Product Type: **Hydraulic adaptor**
- Standard: **BSP**
- Structure: **Straight**
- Thread Types: **BSPP Bulkhead Nut**
- Other Features: **Bulkhead**



PART NUMBER	F (Thread)	D	L	S
#	BSPP	mm	mm	mm
DABPLN-0200	1/8"-28	8.60	5.50	14.00
DABPLN-0400	1/4"-19	11.50	6.50	19.00
DABPLN-0600	3/8"-19	15.00	7.00	22.00
DABPLN-0800	1/2"-14	18.70	8.00	27.00
DABPLN-1000	5/8"-14	20.70	9.00	30.00
DABPLN-1200	3/4"-14	24.12	10.50	32.00
DABPLN-1600	1"-11	30.40	10.50	41.00
DABPLN-2000	1-1/4"-11	39.00	13.00	50.00
DABPLN-2400	1-1/2"-11	45.00	15.00	55.00
DABPLN-3200	2"-11	56.80	15.00	70.00





## DABPM405M

45° Elbow Connector BSPP Male 60° - BSPP 60° Male

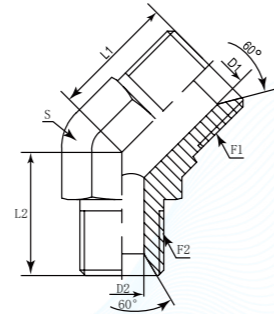
<b>D</b>	<b>A</b>	<b>BP</b>	<b>M</b>	<b>4</b>	<b>05</b>	<b>M</b>
Company	Product Range	Thread Types	Connection Type	Adaptor Structure	Thread Types	Connection Type
<b>DME</b>	Adaptor	BSPP	Male	45° Elbow	BSPP	Male

German Technology Equipment

**SHIELD FLEX**

New-Standard

- DME&JDE Code: **DABPM405M**
- Product Type: **Hydraulic adaptor**
- Standard: **BSP**
- Structure: **45° Elbow**
- Connection Type: **Male x Male**
- Thread Types: **BSPP 60° x BSPP 60°**



PART NUMBER	F1 (Thread)	F2 (Thread)	D1	D2	L1	L2	S
#	BSPP	BSPP	mm	mm	mm	mm	mm
DABPM405M-0402	1/4"-19	1/8"-28	4.70	3.50	21.00	20.00	14.00
DABPM405M-0404	1/4"-19	1/4"-19	4.70	4.70	21.00	21.00	14.00
DABPM405M-0604	3/8"-19	1/4"-19	7.90	4.70	22.00	21.00	19.00
DABPM405M-0806	1/2"-14	3/8"-19	11.10	7.90	28.00	26.00	22.00
DABPM405M-0808	1/2"-14	1/2"-14	11.10	11.10	28.00	28.00	22.00
DABPM405M-1010	5/8"-14	5/8"-14	14.00	14.00	29.00	29.00	22.00
DABPM405M-1208	3/4"-14	1/2"-14	16.70	11.10	32.00	30.00	27.00
DABPM405M-1212	3/4"-14	3/4"-14	16.70	16.70	32.00	32.00	27.00
DABPM405M-1612	1"-11	3/4"-14	22.20	16.70	37.60	33.00	33.00
DABPM405M-1616	1"-11	1"-11	22.20	22.20	37.50	37.50	33.00
DABPM405M-2016	1-1/4"-11	1"-11	28.60	22.20	40.00	40.00	41.00
DABPM405M-2020	1-1/4"-11	1-1/4"-11	28.60	28.60	40.00	40.00	41.00
DABPM405M-2424	1-1/2"-11	1-1/2"-11	33.30	33.30	45.00	45.00	48.00
DABPM405M-3232	2"-11	2"-11	46.00	46.00	52.50	52.50	63.50

## DABPM407M

45° Elbow Connector BSPP Male 60° - BSPT Male 60°

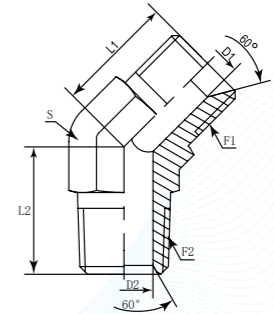
<b>D</b>	<b>A</b>	<b>BP</b>	<b>M</b>	<b>4</b>	<b>07</b>	<b>M</b>
Company	Product Range	Thread Types	Connection Type	Adaptor Structure	Thread Types	Connection Type
<b>DME</b>	Adaptor	BSPP	Male	45° Elbow	BSPT	Male

German Technology Equipment

**SHIELD FLEX**

New-Standard

- DME&JDE Code: **DABPM407M**
- Product Type: **Hydraulic adaptor**
- Standard: **BSP**
- Structure: **45° Elbow**
- Connection Type: **Male x Male**
- Thread Types: **BSPP 60° x BSPT 60°**



PART NUMBER	F1 (Thread)	F2 (Thread)	L1	L2	D1	D2	S
#	BSPP	BSPP	mm	mm	mm	mm	mm
DABPM407M-0404	1/4"-19	1/4"-19	21.00	21.00	4.70	6.00	14.00
DABPM407M-0606	3/8"-19	3/8"-19	23.00	23.00	7.90	9.00	19.00
DABPM407M-0808	1/2"-14	1/2"-14	27.50	27.50	11.10	12.00	22.00
DABPM407M-1212	3/4"-14	3/4"-14	30.50	30.50	16.00	16.00	27.00
DABPM407M-1616	1"-11	1"-11	37.50	37.50	22.20	22.20	33.00



## DABPM428M

45° Elbow Connector BSPP Male 60° - NPTF Male 60°

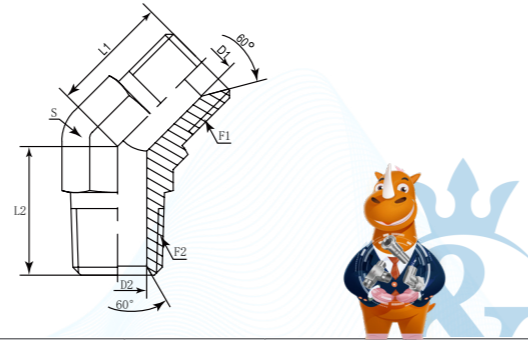
<b>D</b>	<b>A</b>	<b>BP</b>	<b>M</b>	<b>4</b>	<b>28</b>	<b>M</b>
Company	Product Range	Thread Types	Connection Type	Adaptor Structure	Thread Types	Connection Type
<b>DME</b>	Adaptor	BSPP	Male	45° Elbow	NPTF	Male

German Technology Equipment

**SHIELD FLEX**

New-Standard

- DME&JDE Code: **DABPM428M**
- Product Type: **Hydraulic adaptor**
- Standard: **BSP**
- Structure: **45° Elbow**
- Connection Type: **Male x Male**
- Thread Types: **BSPP 60° x NPTF 60°**



PART NUMBER	F1 (Thread)	F2 (Thread)	L1	L2	D1	D2	S
#	BSPP	NPTF	mm	mm	mm	mm	mm
DABPM428M-0202	1/8"-28	1/8"-27	18.00	16.50	3.50	4.78	11.00
DABPM428M-0404	1/4"-19	1/4"-18	21.00	22.00	4.70	7.14	14.00
DABPM428M-0606	3/8"-19	3/8"-18	23.00	24.00	7.90	10.31	19.00
DABPM428M-0808	1/2"-14	1/2"-14	26.00	29.50	11.10	13.49	22.00
DABPM428M-1212	3/4"-14	3/4"-14	32.00	30.50	16.70	18.26	27.00
DABPM428M-1616	1"-11	1"-11-1/2	37.00	38.00	22.20	23.83	33.00
DABPM428M-2020	1-1/4"-11	1-1/4"-11-1/2	39.00	42.00	28.60	31.75	41.00
DABPM428M-2424	1-1/2"-11	1-1/2"-11-1/2	45.00	45.00	33.30	38.10	48.00
DABPM428M-3232	2"-11	2"-11-1/2	56.50	53.60	46.00	49.23	65.00

## DABTM407M

45° Elbow Connector BSPT Male 60° - BSPT Male 60°

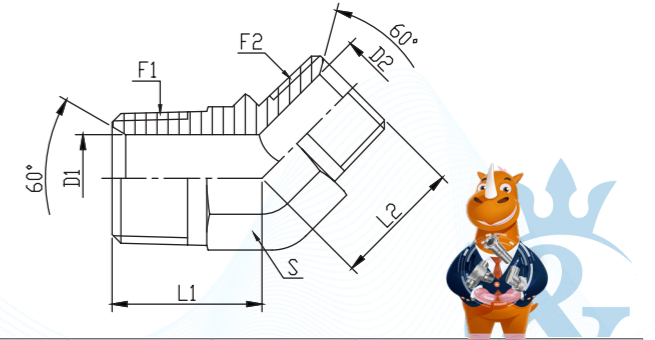
<b>D</b>	<b>A</b>	<b>BT</b>	<b>M</b>	<b>4</b>	<b>07</b>	<b>M</b>
Company	Product Range	Thread Types	Connection Type	Adaptor Structure	Thread Types	Connection Type
<b>DME</b>	Adaptor	BSPT	Male	45° Elbow	BSPT	Male

German Technology Equipment

**SHIELD FLEX**

New-Standard

- DME&JDE Code: **DABTM407M**
- Product Type: **Hydraulic adaptor**
- Standard: **BSP**
- Structure: **45° Elbow**
- Connection Type: **Male x Male**
- Thread Types: **BSPT 60° x BSPT 60°**



PART NUMBER	F1 (Thread)	F2 (Thread)	D1	D2	L1	L2	S
#	BSPT	BSPT	mm	mm	mm	mm	mm
DABTM407M-0202	1/8"-28	1/8"-28	4.50	4.50	17.00	17.00	11.00
DABTM407M-0404	1/4"-19	1/4"-19	6.00	6.00	21.00	21.00	14.00
DABTM407M-0606	3/8"-19	3/8"-19	9.00	9.00	23.00	23.00	19.00
DABTM407M-0808	1/2"-14	1/2"-14	12.00	12.00	29.50	29.50	22.00
DABTM407M-1208	3/4"-14	1/2"-14	16.70	12.00	30.50	30.00	27.00
DABTM407M-1212	3/4"-14	3/4"-14	16.70	16.70	30.50	30.50	27.00
DABTM407M-1612	1"-11	3/4"-14	22.20	16.70	38.00	32.50	33.00
DABTM407M-1616	1"-11	1"-11	22.20	22.20	38.00	38.00	33.00
DABTM407M-2020	1-1/4"-11	1-1/4"-11	28.60	28.60	43.00	43.00	41.00
DABTM407M-2424	1-1/2"-11	1-1/2"-11	33.30	33.30	45.00	45.00	48.00





## DABPM406Q

45° Adjustable Elbow BSPP Male 60° - BSPP Male + O Ring + Retaining Ring

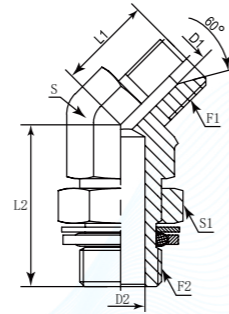
<b>D</b>	<b>A</b>	<b>BP</b>	<b>M</b>	<b>4</b>	<b>06</b>	<b>0</b>
Company	Product Range	Thread Types	Connection Type	Adaptor Structure	Thread Types	Connection Type
<b>DME</b>	Adaptor	BSPP	Male	45° Adjustable Elbow	BSPP	Male + O Ring + Retaining Ring

German Technology Equipment

**SHIELD FLEX**

New-Standard

- DME&JDE Code: **DABPM406Q**
- Product Type: **Hydraulic adaptor**
- Standard: **BSP**
- Structure: **45° Elbow**
- Connection Type: **Adjustable Male x Male**
- Thread Types: **BSPP 60° x BSPP**
- Sealing Method: **O Ring + Retaining Ring**



PART NUMBER	F1 (Thread)	F2 (Thread)	L1	L2	D1	D2	S	S1
#	BSPP	BSPP	mm	mm	mm	mm	mm	mm
DABPM406Q-0202	1/8"-28	1/8"-28	18.00	26.00	3.50	4.40	11.10	14.00
DABPM406Q-0404	1/4"-19	1/4"-19	21.00	28.00	4.70	7.50	14.00	19.00
DABPM406Q-0406	1/4"-19	3/8"-19	20.00	33.00	4.70	9.90	19.00	22.00
DABPM406Q-0604	3/8"-19	1/4"-19	21.00	32.00	7.90	7.50	19.00	19.00
DABPM406Q-0606	3/8"-19	3/8"-19	21.06	33.00	7.90	9.90	19.00	22.00
DABPM406Q-0608	3/8"-19	1/2"-14	22.50	38.60	7.90	12.30	22.00	27.00
DABPM406Q-0806	1/2"-14	3/8"-19	24.30	34.50	11.10	9.90	22.00	22.00
DABPM406Q-0808	1/2"-14	1/2"-14	24.30	38.60	11.10	12.30	22.00	27.00
DABPM406Q-1212	3/4"-14	3/4"-14	27.50	43.90	16.70	15.50	27.00	36.00
DABPM406Q-1616	1"-11	1"-11	37.00	47.20	22.20	21.50	33.00	41.00
DABPM406Q-2020	1-1/4"-11	1-1/4"-11	40.00	49.00	28.60	27.50	41.00	50.00
DABPM406Q-2424	1-1/2"-11	1-1/2"-11	45.00	50.00	33.30	30.00	48.00	55.00
DABPM406Q-3232	2"-11	2"-11	52.50	50.50	46.00	45.00	63.50	70.00



## DABPM4065

45° Adjustable Elbow BSPP Male 60° - BSPP Male + O Ring

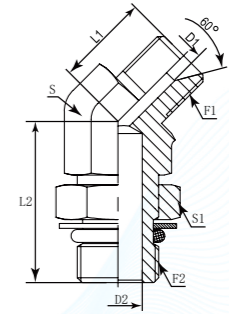
<b>D</b>	<b>A</b>	<b>BP</b>	<b>M</b>	<b>4</b>	<b>06</b>	<b>5</b>
Company	Product Range	Thread Types	Connection Type	Adaptor Structure	Thread Types	Connection Type
<b>DME</b>	Adaptor	BSPP	Male	45° Elbow	BSPP	Male + O Ring

German Technology Equipment

**SHIELD FLEX**

New-Standard

- DME&JDE Code: **DABPM4065**
- Product Type: **Hydraulic adaptor**
- Standard: **BSP**
- Structure: **45° Elbow**
- Adaptor Connection Type: **Adjustable Male x Male**
- Thread Types: **BSPP 60° x BSPP 60° O Ring**
- Sealing Method: **O Ring**



PART NUMBER	F1 (Thread)	F2 (Thread)	L1	L2	D1	D2	S	S1
#	BSPP	BSPP	mm	mm	mm	mm	mm	mm
DABPM4065-0202	1/8"-28	1/8"-28	18.00	26.00	3.50	4.40	11.10	14.00
DABPM4065-0404	1/4"-19	1/4"-19	21.00	28.00	4.70	7.50	14.00	19.00
DABPM4065-0406	1/4"-19	3/8"-19	20.00	33.00	4.70	9.90	19.00	22.00
DABPM4065-0604	3/8"-19	1/4"-19	21.00	32.00	7.90	7.50	19.00	19.00
DABPM4065-0606	3/8"-19	3/8"-19	21.06	33.00	7.90	9.90	19.00	22.00
DABPM4065-0608	3/8"-19	1/2"-14	22.50	38.60	7.90	12.30	22.00	27.00
DABPM4065-0806	1/2"-14	3/8"-19	24.30	34.50	11.10	9.90	22.00	22.00
DABPM4065-0808	1/2"-14	1/2"-14	24.30	38.60	11.10	12.30	22.00	27.00
DABPM4065-1212	3/4"-14	3/4"-14	27.50	43.90	16.70	15.50	27.00	36.00
DABPM4065-1616	1"-11	1"-11	37.00	47.20	22.20	21.50	33.00	41.00
DABPM4065-2020	1-1/4"-11	1-1/4"-11	40.00	49.00	28.60	27.50	41.00	50.00
DABPM4065-2424	1-1/2"-11	1-1/2"-11	45.00	50.00	33.30	30.00	48.00	55.00
DABPM4065-3232	2"-11	2"-11	52.50	50.50	46.00	45.00	63.50	70.00



## DABPM4305

45° Adjustable Elbow BSPP Male 60° – SAE Male + O Ring

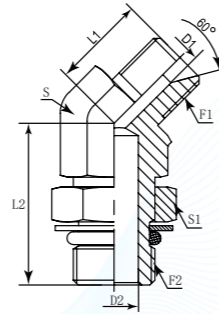
<b>D</b>	<b>A</b>	<b>BP</b>	<b>M</b>	<b>4</b>	<b>30</b>	<b>5</b>
Company	Product Range	Thread Types	Connection Type	Adaptor Structure	Thread Types	Sealing Type
<b>DME</b>	Adaptor	BSPP	Male	45° Elbow	SAE	O Ring

German Technology Equipment

**SHIELD FLEX**

New-Standard

- DME&JDE Code:** DABPM4305
- Product Type:** Hydraulic adaptor
- Standard:** BSP
- Structure:** 45° Elbow
- Connection Type:** Male × Male
- Thread Types:** BSPP 60° × SAE UNF Male
- Sealing Method:** O Ring



PART NUMBER	F1 (Thread)	F2 (Thread)	L1	L2	D1	D2	S	S1
#	BSPP	UNF	mm	mm	mm	mm	mm	mm
DABPM4305-0204	1/8"-28	7/16"-20	18.00	26.70	3.50	4.37	11.00	14.00
DABPM4305-0205	1/8"-28	1/2"-20	20.00	26.70	3.50	5.94	11.00	17.00
DABPM4305-0405	1/4"-19	1/2"-20	21.00	29.00	4.70	5.94	14.00	17.00
DABPM4305-0406	1/4"-19	9/16"-18	21.00	29.00	4.70	7.54	14.00	19.00
DABPM4305-0606	3/8"-19	9/16"-18	25.00	30.00	7.90	7.54	19.00	19.00
DABPM4305-0608	3/8"-19	3/4"-16	25.00	33.00	7.90	9.93	19.00	22.00
DABPM4305-0808	1/2"-14	3/4"-16	28.00	35.00	11.10	9.93	22.00	22.00
DABPM4305-0810	1/2"-14	7/8"-14	28.00	38.50	11.10	12.29	22.00	27.00
DABPM4305-0812	1/2"-14	1-1/16"-12	30.00	44.00	11.10	15.47	27.00	32.00
DABPM4305-1010	5/8"-14	7/8"-14	28.00	38.50	14.30	12.29	22.00	27.00
DABPM4305-1210	3/4"-14	7/8"-14	32.00	40.50	16.70	12.29	27.00	27.00
DABPM4305-1212	3/4"-14	1-1/16"-12	32.00	44.00	16.70	15.47	27.00	32.00
DABPM4305-1216	3/4"-14	1-5/16"-12	35.00	47.20	16.70	21.44	33.00	38.00
DABPM4305-1616	1"-11	1-5/16"-12	37.00	47.20	22.20	21.44	33.00	38.00
DABPM4305-1620	1"-11	1-5/8"-12	39.00	48.50	22.20	27.38	41.00	48.00
DABPM4305-2020	1-1/4"-11	1-5/8"-12	40.00	48.50	28.60	27.38	41.00	48.00
DABPM4305-2024	1-1/4"-11	1-7/8"-12	45.00	48.50	28.60	33.32	48.00	55.00
DABPM4305-2424	1-1/2"-11	1-7/8"-12	45.00	48.50	33.30	33.32	48.00	55.00

## DABPM452Q

45° Adjustable Elbow BSPP Male 60° - Metric Male + O Ring + Retaining Ring

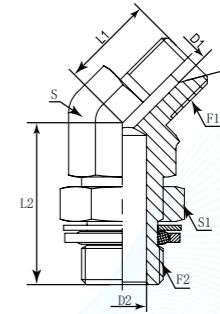
<b>D</b>	<b>A</b>	<b>BP</b>	<b>M</b>	<b>4</b>	<b>52</b>	<b>0</b>
Company	Product Range	Thread Types	Connection Type	Adaptor Structure	Thread Types	Connection Type
<b>DME</b>	Adaptor	BSPP	Male	45° Elbow	Metric	Male + O Ring + Retaining Ring

German Technology Equipment

**SHIELD FLEX**

New-Standard

- DME&JDE Code:** DABPM452Q
- Product Type:** Hydraulic adaptor
- Standard:** BSP
- Structure:** 45° Elbow
- Connection Type:** Adjustable Male × Male
- Thread Types:** BSPP 60° × Metric
- Sealing Method:** O Ring + Retaining Ring



PART NUMBER	F1 (Thread)	F2 (Thread)	L1	L2	D1	D2	S	S1
#	BSPP	Metric	mm	mm	mm	mm	mm	mm
DABPM452Q-0210	1/8"-28	M10X1	18.00	26.00	3.50	4.50	11.00	14.00
DABPM452Q-0212	1/8"-28	M12X1.5	21.00	28.00	3.50	6.00	14.00	17.00
DABPM452Q-0412	1/4"-19	M12X1.5	21.00	28.00	4.70	6.00	14.00	17.00
DABPM452Q-0414	1/4"-19	M14X1.5	21.00	28.00	4.70	7.50	14.00	19.00
DABPM452Q-0416	1/4"-19	M16X1.5	25.00	33.00	4.70	9.00	19.00	22.00
DABPM452Q-0614	3/8"-19	M14X1.5	25.00	30.00	7.90	7.50	14.00	19.00
DABPM452Q-0616	3/8"-19	M16X1.5	25.00	33.00	7.90	9.00	19.00	22.00
DABPM452Q-0618	3/8"-19	M18X1.5	25.00	33.00	7.90	11.00	19.00	24.00
DABPM452Q-0818	1/2"-14	M18X1.5	28.00	35.00	11.10	11.00	22.00	24.00
DABPM452Q-0820	1/2"-14	M20X1.5	28.00	38.00	11.10	12.50	22.00	27.00
DABPM452Q-0822	1/2"-14	M22X1.5	28.00	38.00	11.10	14.00	22.00	27.00
DABPM452Q-1022	5/8"-14	M22X1.5	28.00	38.00	14.30	14.00	22.00	27.00
DABPM452Q-1222	3/4"-14	M22X1.5	32.00	40.00	16.70	14.00	27.00	27.00
DABPM452Q-1226	3/4"-14	M26X1.5	32.00	44.00	16.70	17.00	27.00	32.00
DABPM452Q-1227	3/4"-14	M27X2	32.00	44.00	16.70	18.00	27.00	32.00
DABPM452Q-1627	1"-11	M27X2	37.00	47.00	22.20	18.00	33.00	32.00
DABPM452Q-1633	1"-11	M33X2	37.00	47.00	22.20	23.00	33.00	41.00
DABPM452Q-2042	1-1/4"-11	M42X2	40.00	49.00	28.60	30.00	41.00	50.00
DABPM452Q-2448	1-1/2"-11	M48X2	45.00	49.00	33.30	36.00	48.00	55.00





## DABPM4525

45° Adjustable Elbow BSPP Male 60°- Metric Male + O Ring

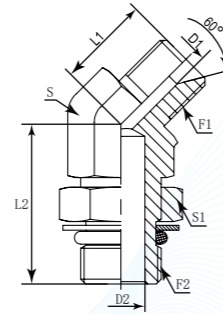
<b>D</b>	<b>A</b>	<b>BP</b>	<b>M</b>	<b>4</b>	<b>52</b>	<b>5</b>
Company	Product Range	Thread Types	Connection Type	Adaptor Structure	Thread Types	Connection Type
<b>DME</b>	Adaptor	BSPP	Male	45° Elbow	Metric	O Ring

German Technology Equipment

**SHIELD FLEX**

New-Standard

- DME&JDE Code: **DABPM4525**
- Product Type: **Hydraulic adaptor**
- Standard: **BSP**
- Structure: **45° Elbow**
- Connection Type: **Adjustable Male x Male**
- Thread Types: **BSPP 60° x Metric O Ring**
- Sealing Method: **O Ring**



PART NUMBER	F1 (Thread)	F2 (Thread)	L1	L2	D1	D2	S	S1
#	BSPP	Metric	mm	mm	mm	mm	mm	mm
DABPM4525-0210	1/8"-28	M10X1	18.00	26.00	3.50	4.50	11.00	14.00
DABPM4525-0212	1/8"-28	M12X1.5	21.00	28.00	3.50	6.00	14.00	17.00
DABPM4525-0412	1/4"-19	M12X1.5	21.00	28.00	4.70	6.00	14.00	17.00
DABPM4525-0414	1/4"-19	M14X1.5	21.00	28.00	4.70	7.50	14.00	19.00
DABPM4525-0416	1/4"-19	M16X1.5	25.00	33.00	4.70	9.00	19.00	22.00
DABPM4525-0614	3/8"-19	M14X1.5	25.00	30.00	7.90	7.50	14.00	19.00
DABPM4525-0616	3/8"-19	M16X1.5	25.00	33.00	7.90	9.00	19.00	22.00
DABPM4525-0618	3/8"-19	M18X1.5	25.00	33.00	7.90	11.00	19.00	24.00
DABPM4525-0818	1/2"-14	M18X1.5	28.00	35.00	11.10	11.00	22.00	24.00
DABPM4525-0820	1/2"-14	M20X1.5	28.00	38.00	11.10	12.50	22.00	27.00
DABPM4525-0822	1/2"-14	M22X1.5	28.00	38.00	11.10	14.00	22.00	27.00
DABPM4525-1022	5/8"-14	M22X1.5	28.00	38.00	14.30	14.00	22.00	27.00
DABPM4525-1222	3/4"-14	M22X1.5	32.00	40.00	16.70	14.00	27.00	27.00
DABPM4525-1226	3/4"-14	M26X1.5	32.00	44.00	16.70	17.00	27.00	32.00
DABPM4525-1227	3/4"-14	M27X2	32.00	44.00	16.70	18.00	27.00	32.00
DABPM4525-1627	1"-11	M27X2	37.00	47.00	22.20	18.00	33.00	32.00
DABPM4525-1633	1"-11	M33X2	37.00	47.00	22.20	23.00	33.00	41.00
DABPM4525-2042	1-1/4"-11	M42X2	40.00	49.00	28.60	30.00	41.00	50.00
DABPM4525-2448	1-1/2"-11	M48X2	45.00	49.00	33.30	36.00	48.00	55.00

## DABPM4081

45° Elbow Connector BSPP Male 60° - BSPP Swivel Female 60°

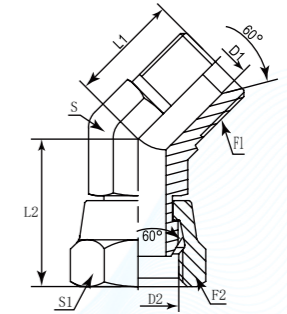
<b>D</b>	<b>A</b>	<b>BP</b>	<b>M</b>	<b>4</b>	<b>081</b>
Company	Product Range	Thread Types	Connection Type	Adaptor Structure	Connection Type
<b>DME</b>	Adaptor	BSPP	Male	45° Elbow	BSPP Swivel Female

German Technology Equipment

**SHIELD FLEX**

New-Standard

- DME&JDE Code: **DABPM4081**
- Product Type: **Hydraulic adaptor**
- Standard: **BSP**
- Structure: **45° Elbow**
- Connection Type: **Male x Swivel Female**
- Thread Types: **BSPP 60° x BSPP 60°**



PART NUMBER	F1 (Thread)	F2 (Thread)	L1	L2	D1	D2	S	S1
#	BSPP	BSPP	mm	mm	mm	mm	mm	mm
DABPM4081-0202	1/8"-28	1/8"-28	16.00	16.00	3.50	3.50	11.00	14.00
DABPM4081-0404	1/4"-19	1/4"-19	21.00	23.00	4.70	4.70	14.00	19.00
DABPM4081-0606	3/8"-19	3/8"-19	25.00	26.00	7.90	7.90	19.00	22.00
DABPM4081-0808	1/2"-14	1/2"-14	28.00	26.50	11.10	11.10	22.00	27.00
DABPM4081-1010	5/8"-14	5/8"-14	28.00	30.00	14.00	14.00	22.00	30.00
DABPM4081-1212	3/4"-14	3/4"-14	32.00	35.00	16.70	16.70	27.00	32.00
DABPM4081-1616	1"-11	1"-11	37.00	37.00	22.20	22.20	33.00	41.00
DABPM4081-2020	1-1/4"-11	1-1/4"-11	40.00	40.00	28.60	28.60	41.00	50.00
DABPM4081-2424	1-1/2"-11	1-1/2"-11	45.00	45.00	33.30	33.30	48.00	55.00



## DABPM4251

45° Elbow Connector BSPP Male 60° Cone – JIC Swivel Female 74°

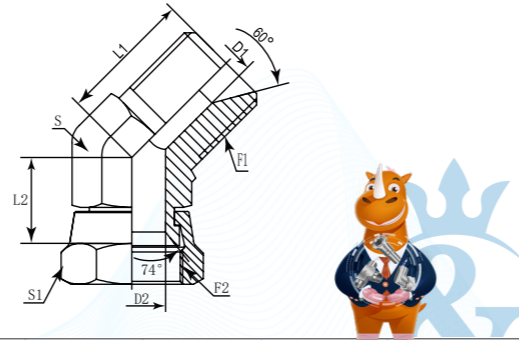
<b>D</b>	<b>A</b>	<b>BP</b>	<b>M</b>	<b>4</b>	<b>251</b>
Company	Product Range	Thread Types	Connection Type	Adaptor Structure	Connection Type
<b>DME</b>	Adaptor	BSPP	Male	45° Elbow	JIC Swivel Female

German Technology Equipment

**SHIELD FLEX**

New-Standard

- DME&JDE Code: **DABPM4251**
- Product Type: **Hydraulic adaptor**
- Standard: **BSP**
- Structure: **45° Elbow**
- Adaptor Connection Type: **Male x Swivel Female**
- Thread Types: **BSPP 60° Cone x JIC UNF 74°**



PART NUMBER	F1 (Thread)	F2 (Thread)	D1	D2	L1	L2	S	S1
#	BSPP	UNF	mm	mm	mm	mm	mm	mm
DABPM4251-0404	1/4"-19	7/16"-20	4.70	4.40	21.00	15.20	14.00	14.00
DABPM4251-0606	3/8"-19	9/16"-18	7.90	7.50	24.00	19.00	19.00	19.00
DABPM4251-0808	1/2"-14	3/4"-16	11.10	9.90	27.00	21.80	22.00	22.00
DABPM4251-1212	3/4"-14	1-1/16"-12	16.70	15.50	32.00	23.80	27.00	32.00
DABPM4251-1616	1"-11	1-5/16"-12	22.20	21.50	35.00	29.30	33.00	41.00

## DABTM4081

45° Elbow Connector BSPT Male 60° - BSPP Swivel Female 60°

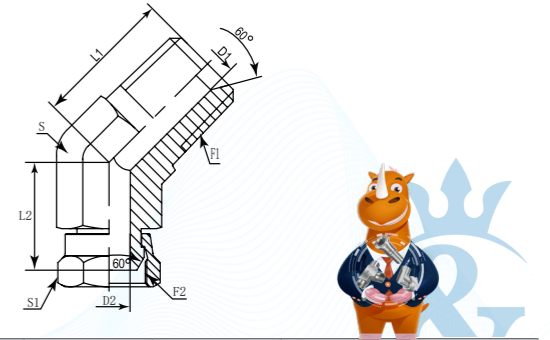
<b>D</b>	<b>A</b>	<b>BT</b>	<b>M</b>	<b>4</b>	<b>081</b>
Company	Product Range	Thread Types	Connection Type	Adaptor Structure	Connection Type
<b>DME</b>	Adaptor	BSPP	Male	45° Elbow	BSPP Swivel Female

German Technology Equipment

**SHIELD FLEX**

New-Standard

- DME&JDE Code: **DABTM4081**
- Product Type: **Hydraulic adaptor**
- Standard: **BSP**
- Structure: **45° Elbow**
- Connection Type: **Male x Swivel Female**
- Thread Types: **BSPT 60° x BSPP 60°**



PART NUMBER	F1 (Thread)	F2 (Thread)	D1	D2	L1	L2	S	S1
#	BSPT	BSPP	mm	mm	mm	mm	mm	mm
DABTM4081-0202	1/8"-28	1/8"-28	4.50	3.50	17.00	12.80	11.00	14.00
DABTM4081-0404	1/4"-19	1/4"-19	6.00	4.70	21.00	16.30	14.00	19.00
DABTM4081-0606	3/8"-19	3/8"-19	9.00	7.90	24.00	18.50	19.00	22.00
DABTM4081-0808	1/2"-14	1/2"-14	12.00	11.10	29.50	22.00	22.00	27.00
DABTM4081-1212	3/4"-14	3/4"-14	16.70	16.70	30.50	23.00	27.00	32.00
DABTM4081-1616	1"-11	1"-11	22.20	22.20	38.00	28.50	33.00	41.00
DABTM4081-2020	1-1/4"-11	1-1/4"-11	28.60	28.60	42.40	40.00	41.00	50.00
DABTM4081-2424	1-1/2"-11	1-1/2"-11	33.30	33.30	45.00	36.80	48.00	55.00





## DABPF428M

45° Elbow Connector BSPP Fixed Female - NPTF Male 60°

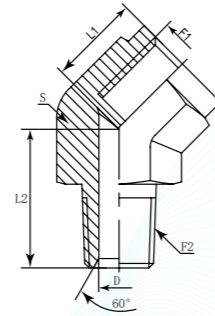
<b>D</b>	<b>A</b>	<b>BP</b>	<b>F</b>	<b>4</b>	<b>28</b>	<b>M</b>
Company	Product Range	Thread Types	Connection Type	Adaptor Structure	Thread Types	Connection Type
<b>DME</b>	Adaptor	BSPP	Female	45° Elbow	NPTF	Male

German Technology Equipment

**SHIELD FLEX**

New-Standard

- DME&JDE Code: **DABPF428M**
- Product Type: **Hydraulic adaptor**
- Standard: **BSP**
- Structure: **45° Elbow**
- Connection Type: **Fixed Female x Male**
- Thread Types: **BSPP x NPTF 60°**



PART NUMBER	F1 (Thread)	F2 (Thread)	L1	L2	D	S
#	BSPP	NPTF	mm	mm	mm	mm
DABPF428M-0202	1/8"-28	1/8"-27	13.00	18.00	4.78	14.00
DABPF428M-0404	1/4"-19	1/4"-18	18.00	26.50	7.14	19.00
DABPF428M-0606	3/8"-19	3/8"-18	19.50	27.00	10.31	22.00
DABPF428M-0808	1/2"-14	1/2"-14	24.50	34.00	13.49	27.00
DABPF428M-1212	3/4"-14	3/4"-14	26.00	35.00	18.26	33.00
DABPF428M-1616	1"-11	1"-11-1/2	31.00	44.00	23.83	41.00
DABPF428M-2020	1-1/4"-11	1-1/4"-11-1/2	37.00	45.50	31.75	48.00
DABPF428M-2424	1-1/2"-11	1-1/2"-11-1/2	43.00	53.00	38.10	65.00
DABPF428M-3232	2"-11	2"-11-1/2	55.00	57.00	49.23	70.00

## DABPF407M

45° Elbow Connector BSPP Fixed Female - BSPT Male

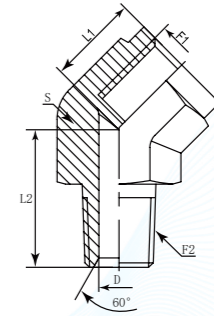
<b>D</b>	<b>A</b>	<b>BP</b>	<b>F</b>	<b>4</b>	<b>07</b>	<b>M</b>
Company	Product Range	Thread Types	Connection Type	Adaptor Structure	Thread Types	Connection Type
<b>DME</b>	Adaptor	BSPP	Female	45° Elbow	BSPT	Male

German Technology Equipment

**SHIELD FLEX**

New-Standard

- DME&JDE Code: **DABPF407M**
- Product Type: **Hydraulic adaptor**
- Standard: **BSP**
- Structure: **45° Elbow**
- Connection Type: **Fixed Female x Male**
- Thread Types: **BSPP x BSPT**



PART NUMBER	F1 (Thread)	F2 (Thread)	L1	L2	D	S
#	BSPP	NPTF	mm	mm	mm	mm
DABPF407M-0202	1/8"-28	1/8"-28	15.50	18.00	4.50	14.00
DABPF407M-0404	1/4"-19	1/4"-19	21.00	26.50	6.00	19.00
DABPF407M-0606	3/8"-19	3/8"-19	22.00	27.00	9.00	22.00
DABPF407M-0808	1/2"-14	1/2"-14	26.00	34.00	12.00	27.00
DABPF407M-1212	3/4"-14	3/4"-14	29.50	35.00	16.70	33.00
DABPF407M-1616	1"-11	1"-11	33.00	44.00	22.20	41.00
DABPF407M-2020	1-1/4"-11	1-1/4"-11	39.00	45.50	28.60	48.00
DABPF407M-2424	1-1/2"-11	1-1/2"-11	43.00	53.00	33.30	65.00
DABPF407M-3232	2"-11	2"-11	55.00	57.00	45.00	70.00



## DABP14305

45° Adjustable Elbow BSPP Swivel Female 60° - SAE Male O Ring

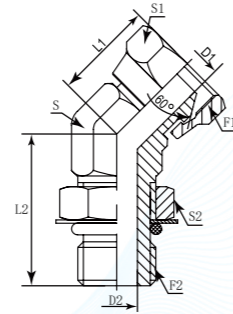
<b>D</b>	<b>A</b>	<b>BP</b>	<b>1</b>	<b>4</b>	<b>30</b>	<b>5</b>
Company	Product Range	Thread Types	Connection Type	Adaptor Structure	Thread Types	Connection Type
<b>DME</b>	Adaptor	BSPP	Swivel Female	45° Elbow	SAE UNF	O Ring

German Technology Equipment

**SHIELD FLEX**

New-Standard

- DME&JDE Code: **DABP14305**
- Product Type: **Hydraulic adaptor**
- Standard: **BSP**
- Structure: **45° Elbow**
- Connection Type: **Adjustable Swivel Female x Male**
- Thread Types: **BSPP 60° x SAE UNF**
- Sealing Method: **O Ring**



PART NUMBER	F1 (Thread)	F2 (Thread)	L1	L2	D1	D2	S	S1	S2
#	BSPP	UNF	mm	mm	mm	mm	mm	mm	mm
DABP14305-0204	1/8"-28	7/16"-20	25.00	26.70	3.50	4.37	11.00	14.00	14.00
DABP14305-0205	1/8"-28	1/2"-20	25.00	26.70	3.50	5.94	14.00	14.00	17.00
DABP14305-0405	1/4"-19	1/2"-20	25.00	29.00	4.50	5.94	14.00	19.00	17.00
DABP14305-0406	1/4"-19	9/16"-18	25.00	29.00	4.50	7.54	14.00	19.00	19.00
DABP14305-0606	3/8"-19	9/16"-18	30.00	30.00	7.10	7.54	19.00	22.00	19.00
DABP14305-0608	3/8"-19	3/4"-16	30.00	33.00	7.10	9.93	19.00	22.00	20.00
DABP14305-0808	1/2"-14	3/4"-16	33.00	35.00	11.10	9.93	22.00	27.00	22.00
DABP14305-0810	1/2"-14	7/8"-14	33.00	38.60	11.10	12.29	22.00	27.00	27.00
DABP14305-0812	1/2"-14	1-1/16"-12	39.00	43.90	11.10	15.47	27.00	27.00	32.00
DABP14305-1010	5/8"-14	7/8"-14	38.00	38.60	12.00	12.29	22.00	30.00	27.00
DABP14305-1210	3/4"-14	7/8"-14	41.00	40.50	15.50	12.29	27.00	32.00	27.00
DABP14305-1212	3/4"-14	1-1/16"-12	41.00	43.90	15.50	15.47	27.00	32.00	32.00
DABP14305-1216	3/4"-14	1-5/16"-12	44.00	47.20	15.50	21.44	33.00	32.00	38.00
DABP14305-1616	1"-11	1-5/16"-12	46.00	47.20	22.20	21.44	33.00	41.00	38.00
DABP14305-1620	1"-11	1-5/8"-12	46.00	48.50	22.20	27.38	41.00	41.00	48.00
DABP14305-2020	1-1/4"-11	1-5/8"-12	48.00	48.50	28.60	27.38	41.00	50.00	48.00
DABP14305-2024	1-1/4"-11	1-7/8"-12	52.00	48.50	28.60	33.32	48.00	50.00	55.00
DABP14305-2424	1-1/2"-11	1-7/8"-12	55.00	48.50	33.30	33.32	48.00	55.00	55.00



## DABP1406Q

45° Adjustable Elbow BSPP Swivel Female 60° - BSPP Male + O Ring + Retaining Ring

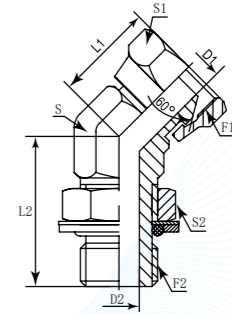
<b>D</b>	<b>A</b>	<b>BP</b>	<b>1</b>	<b>4</b>	<b>06</b>	<b>0</b>
Company	Product Range	Thread Types	Connection Type	Adaptor Structure	Thread Types	Connection Type
<b>DME</b>	Adaptor	BSPP	Swivel Female	45° Elbow	BSPP	Male + O Ring + Retaining Ring

German Technology Equipment

**SHIELD FLEX**

New-Standard

- DME&JDE Code: **DABP1406Q**
- Product Type: **Hydraulic adaptor**
- Standard: **BSP**
- Structure: **45° Elbow**
- Connection Type: **Adjustable Swivel Female x Male**
- Thread Types: **BSPP 60° x BSPP**
- Sealing Method: **O Ring + Retaining Ring**



PART NUMBER	F1 (Thread)	F2 (Thread)	L1	L2	D1	D2	S	S1	S1
#	BSPP	BSPP	mm	mm	mm	mm	mm	mm	mm
DABP1406Q-0404	1/4"-19	1/4"-19	21.00	28.00	4.70	7.50	14.00	19.00	19.00
DABP1406Q-0606	3/8"-19	3/8"-19	21.50	33.00	7.90	9.90	19.00	22.00	22.00
DABP1406Q-0808	1/2"-14	1/2"-14	23.50	38.00	11.10	12.30	22.00	27.00	27.00
DABP1406Q-1212	3/4"-14	3/4"-14	28.00	44.00	16.70	15.50	27.00	32.00	36.00
DABP1406Q-1616	1"-11	1"-11	35.00	47.20	22.20	21.50	33.00	41.00	41.00





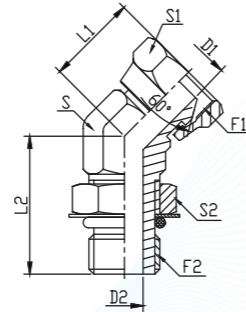
## DABP14525

45° Adjustable Elbow BSPP Swivel Female - Metric Male + O Ring

<b>D</b>	<b>A</b>	<b>BP</b>	<b>1</b>	<b>4</b>	<b>52</b>	<b>5</b>
Company	Product Range	Thread Types	Connection Type	Adaptor Structure	Thread Types	Connection Type
<b>DME</b>	Adaptor	BSPP	Swivel Female	45° Elbow	Metric	Male + O Ring



- DME&JDE Code:** DABP14525
- Product Type:** Hydraulic adaptor
- Standard:** BSP
- Structure:** 45° Elbow
- Connection Type:** Adjustable Swivel Female x Male
- Thread Types:** BSPP x Metric
- Sealing Method:** O Ring



PART NUMBER	F1 (Thread)	F2 (Thread)	L1	L2	D1	D2	S	S1	S2
#	BSPP	Metric	mm	mm	mm	mm	mm	mm	mm
DABP14525-0210	1/8"-28	M10X1	25.00	26.00	3.50	4.50	11.00	14.00	14.00
DABP14525-0212	1/8"-28	M12X1.5	25.00	28.00	3.50	6.00	14.00	14.00	17.00
DABP14525-0412	1/4"-19	M12X1.5	27.00	28.00	4.50	6.00	14.00	19.00	17.00
DABP14525-0414	1/4"-19	M14X1.5	27.00	28.00	4.50	7.50	14.00	19.00	19.00
DABP14525-0416	1/4"-19	M16X1.5	28.00	33.00	4.50	9.00	19.00	19.00	22.00
DABP14525-0614	3/8"-19	M14X1.5	30.00	30.00	7.90	7.50	14.00	22.00	19.00
DABP14525-0616	3/8"-19	M16X1.5	30.00	33.00	7.90	9.00	19.00	22.00	22.00
DABP14525-0618	3/8"-19	M18X1.5	30.00	33.00	7.90	11.00	19.00	22.00	24.00
DABP14525-0818	1/2"-14	M18X1.5	33.00	35.00	11.10	11.00	19.00	27.00	24.00
DABP14525-0820	1/2"-14	M20X1.5	33.00	38.00	11.10	12.50	22.00	27.00	27.00
DABP14525-0822	1/2"-14	M22X1.5	33.00	38.00	11.10	14.00	22.00	27.00	27.00
DABP14525-1022	5/8"-14	M22X1.5	33.00	38.00	12.00	14.00	22.00	30.00	27.00
DABP14525-1222	3/4"-14	M22X1.5	41.00	40.00	16.70	14.00	27.00	32.00	27.00
DABP14525-1226	3/4"-14	M26X1.5	41.00	44.00	16.70	17.00	27.00	32.00	32.00
DABP14525-1227	3/4"-14	M27X2	41.00	44.00	16.70	18.00	27.00	32.00	32.00
DABP14525-1627	1"-11	M27X2	46.00	47.00	22.20	18.00	33.00	41.00	32.00
DABP14525-1633	1"-11	M33X2	46.00	47.00	22.20	23.00	33.00	41.00	41.00
DABP14525-2042	1-1/4"-11	M42X2	48.00	49.00	28.60	30.00	41.00	50.00	50.00
DABP14525-2448	1-1/2"-11	M48X2	55.00	49.00	33.30	36.00	48.00	55.00	55.00

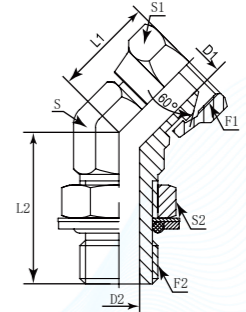
## DABP1452Q

45° Adjustable Elbow BSPP Swivel Female 60° - Metric Male + O Ring + Retaining Ring

<b>D</b>	<b>A</b>	<b>BP</b>	<b>1</b>	<b>4</b>	<b>52</b>	<b>0</b>
Company	Product Range	Thread Types	Connection Type	Adaptor Structure	Thread Types	Connection Type
<b>DME</b>	Adaptor	BSPP	Swivel Female	45° Elbow	Metric	Male + O Ring + Retaining Ring



- DME&JDE Code:** DABP1452Q
- Product Type:** Hydraulic adaptor
- Standard:** BSP
- Structure:** 45° Elbow
- Connection Type:** Adjustable Swivel Female x Male
- Thread Types:** BSPP 60° x Metric
- Sealing Method:** O Ring + Retaining Ring



PART NUMBER	F1 (Thread)	F2 (Thread)	L1	L2	D1	D2	S	S1	S2
#	BSPP	Metric	mm	mm	mm	mm	mm	mm	mm
DABP1452Q-0210	1/8"-28	M10X1	25.00	26.00	3.50	4.50	11.00	14.00	14.00
DABP1452Q-0212	1/8"-28	M12X1.5	25.00	28.00	3.50	6.00	14.00	14.00	17.00
DABP1452Q-0412	1/4"-19	M12X1.5	27.00	28.00	4.50	6.00	14.00	19.00	17.00
DABP1452Q-0414	1/4"-19	M14X1.5	27.00	28.00	4.50	7.50	14.00	19.00	19.00
DABP1452Q-0416	1/4"-19	M16X1.5	28.00	33.00	4.50	9.00	19.00	19.00	22.00
DABP1452Q-0614	3/8"-19	M14X1.5	30.00	30.00	7.90	7.50	14.00	22.00	19.00
DABP1452Q-0616	3/8"-19	M16X1.5	30.00	33.00	7.90	9.00	19.00	22.00	22.00
DABP1452Q-0618	3/8"-19	M18X1.5	30.00	33.00	7.90	11.00	19.00	22.00	24.00
DABP1452Q-0818	1/2"-14	M18X1.5	33.00	35.00	11.10	11.00	19.00	27.00	24.00
DABP1452Q-0820	1/2"-14	M20X1.5	33.00	38.00	11.10	12.50	22.00	27.00	27.00
DABP1452Q-0822	1/2"-14	M22X1.5	33.00	38.00	11.10	14.00	22.00	27.00	27.00
DABP1452Q-1022	5/8"-14	M22X1.5	33.00	38.00	12.00	14.00	22.00	30.00	27.00
DABP1452Q-1222	3/4"-14	M22X1.5	41.00	40.00	16.70	14.00	27.00	32.00	27.00
DABP1452Q-1226	3/4"-14	M26X1.5	41.00	44.00	16.70	17.00	27.00	32.00	32.00
DABP1452Q-1227	3/4"-14	M27X2	41.00	44.00	16.70	18.00	27.00	32.00	32.00
DABP1452Q-1627	1"-11	M27X2	46.00	47.00	22.20	18.00	33.00	41.00	32.00
DABP1452Q-1633	1"-11	M33X2	46.00	47.00	22.20	23.00	33.00	41.00	41.00
DABP1452Q-2042	1-1/4"-11	M42X2	48.00	49.00	28.60	30.00	41.00	50.00	50.00
DABP1452Q-2448	1-1/2"-11	M48X2	55.00	49.00	33.30	36.00	48.00	55.00	55.00



## DABP14065

45° Adjustable Elbow BSPP Swivel Female 60° - BSPP Male + O Ring

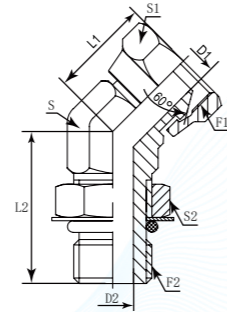
<b>D</b>	<b>A</b>	<b>BP</b>	<b>1</b>	<b>4</b>	<b>06</b>	<b>5</b>
Company	Product Range	Thread Types	Connection Type	Adaptor Structure	Thread Types	Connection Type
<b>DME</b>	Adaptor	BSPP	Swivel Female	45° Elbow	BSPP	Male + O Ring

German Technology Equipment

**SHIELD FLEX**

New-Standard

- DME&JDE Code: **DABP14065**
- Product Type: **Hydraulic adaptor**
- Standard: **BSP**
- Structure: **45° Elbow**
- Connection Type: **Adjustable Swivel Female × Male**
- Thread Types: **BSPP 60° × BSPP + O Ring**
- Sealing Method: **O Ring**



PART NUMBER	F1 (Thread)	F2 (Thread)	L1	L2	D1	D2	S	S1	S2
#	BSPP	BSPP	mm	mm	mm	mm	mm	mm	mm
DABP14065-0404	1/4"-19	1/4"-19	21.00	28.00	4.70	7.50	14.00	19.00	19.00
DABP14065-0606	3/8"-19	3/8"-19	21.50	33.00	7.90	9.90	19.00	22.00	22.00
DABP14065-0808	1/2"-14	1/2"-14	23.50	38.00	11.10	12.30	22.00	27.00	27.00
DABP14065-1212	3/4"-14	3/4"-14	28.00	44.00	16.70	15.50	27.00	32.00	36.00
DABP14065-1616	1"-11	1"-11	35.00	47.20	22.20	21.50	33.00	41.00	41.00

## DABPF405F

45° Elbow Connector BSPP Fixed Female - BSPP Fixed Female

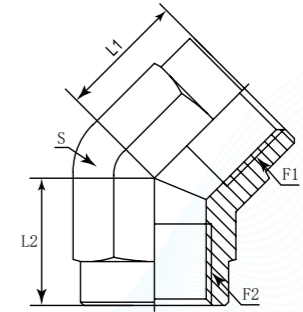
<b>D</b>	<b>A</b>	<b>BP</b>	<b>F</b>	<b>4</b>	<b>05</b>	<b>F</b>
Company	Product Range	Thread Types	Connection Type	Adaptor Structure	Thread Types	Connection Type
<b>DME</b>	Adaptor	BSPP	Female	45° Elbow	BSPP	Female

German Technology Equipment

**SHIELD FLEX**

New-Standard

- DME&JDE Code: **DABPF405F**
- Product Type: **Hydraulic adaptor**
- Standard: **BSP**
- Structure: **45° Elbow**
- Connection Type: **Fixed Female × Fixed Female**
- Thread Types: **BSPP × BSPP**



PART NUMBER	F1 (Thread)	F2 (Thread)	L1	L2	S
#	BSPP	BSPP	mm	mm	mm
DABPF405F-0202	1/8"-28	1/8"-28	13.00	13.00	14.00
DABPF405F-0404	1/4"-19	1/4"-19	18.00	18.00	19.00
DABPF405F-0606	3/8"-19	3/8"-19	19.00	19.00	22.00
DABPF405F-0808	1/2"-14	1/2"-14	23.90	23.90	27.00
DABPF405F-1212	3/4"-14	3/4"-14	25.50	25.50	33.00
DABPF405F-1616	1"-11	1"-11	31.00	31.00	41.00





## DABP14081

45° Elbow Connector BSPP Swivel Female 60° - BSPP 60° Swivel Female 45°

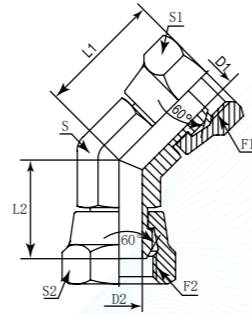
<b>D</b>	<b>A</b>	<b>BP</b>	<b>1</b>	<b>4</b>	<b>081</b>
Company	Product Range	Thread Types	Connection Type	Adaptor Structure	Thread Types
<b>DME</b>	Adaptor	BSPP	Swivel Female	45° Elbow	BSPP Swivel Female

German Technology Equipment

**SHIELD FLEX**

New-Standard

- DME&JDE Code: **DABP14081**
- Product Type: **Hydraulic adaptor**
- Standard: **BSP**
- Structure: **45° Elbow**
- Connection Type: **Swivel Female × Swivel Female**
- Thread Types: **BSPP 60° × BSPP 60°**



PART NUMBER	F1 (Thread)	F2 (Thread)	D1	D2	L1	L2	S	S1	S1
#			mm	mm	mm	mm	mm	mm	mm
DABP14081-0202	1/8"-28	1/8"-28	3.50	3.50	16.00	16.00	11.00	14.00	14.00
DABP14081-0404	1/4"-19	1/4"-19	4.70	4.70	23.00	23.00	14.00	19.00	19.00
DABP14081-0606	3/8"-19	3/8"-19	7.90	7.90	26.00	26.00	19.00	22.00	22.00
DABP14081-0808	1/2"-14	1/2"-14	11.10	11.10	26.50	26.50	22.00	27.00	27.00
DABP14081-1212	3/4"-14	3/4"-14	16.70	16.70	32.00	32.00	27.00	32.00	32.00
DABP14081-1616	1"-11	1"-11	22.20	22.20	37.00	37.00	33.00	41.00	41.00
DABP14081-2020	1-1/4"-11	1-1/4"-11	28.60	28.60	40.00	40.00	41.00	50.00	50.00
DABP14081-2424	1-1/2"-11	1-1/2"-11	33.00	33.00	45.00	45.00	48.00	55.00	55.00



## DABTF407F

45° Elbow Connector BSPT Fixed Female - BSPT Fixed Female

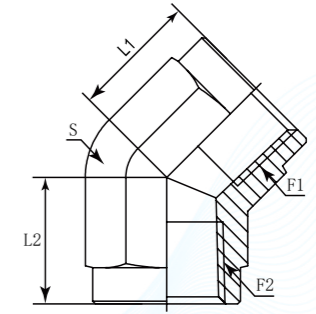
<b>D</b>	<b>A</b>	<b>BT</b>	<b>F</b>	<b>4</b>	<b>07</b>	<b>F</b>
Company	Product Range	Thread Types	Connection Type	Adaptor Structure	Thread Types	Connection Type
<b>DME</b>	Adaptor	BSPT	Female	45° Elbow	BSPT	Female

German Technology Equipment

**SHIELD FLEX**

New-Standard

- DME&JDE Code: **DABTF407F**
- Product Type: **Hydraulic adaptor**
- Standard: **BSP**
- Structure: **45° Elbow**
- Connection Type: **Fixed Female × Fixed Female**
- Thread Types: **BSPT × BSPT**



PART NUMBER	F1 (Thread)	F2 (Thread)	L1	L2	S
#	BSPT	BSPT	mm	mm	mm
DABTF407F-0202	1/8"-28	1/8"-28	12.70	12.70	14.28
DABTF407F-0404	1/4"-19	1/4"-19	17.50	17.50	19.05
DABTF407F-0606	3/8"-19	3/8"-19	19.10	19.10	22.22
DABTF407F-0808	1/2"-14	1/2"-14	23.10	23.10	27.00
DABTF407F-1212	3/4"-14	3/4"-14	25.40	25.40	33.32
DABTF407F-1616	1"-11	1"-11	30.20	30.20	41.27



## DABPM905M

90° Elbow Connector BSPP Male 60° - BSPP 60° Male

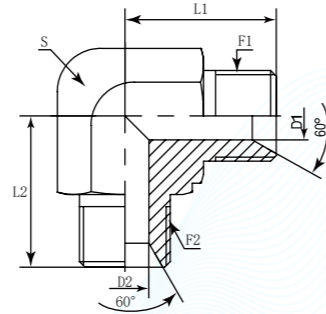
<b>D</b>	<b>A</b>	<b>BP</b>	<b>M</b>	<b>9</b>	<b>05</b>	<b>M</b>
Company	Product Range	Thread Types	Connection Type	Adaptor Structure	Thread Types	Connection Type
<b>DME</b>	Adaptor	BSPP	Male	90° Elbow	BSPP	Male

German Technology Equipment

**SHIELD FLEX**

New-Standard

- DME&JDE Code: **DABPM905M**
- Product Type: **Hydraulic adaptor**
- Standard: **BSP**
- Structure: **90° Elbow**
- Connection Type: **Male x Male**
- Thread Types: **BSPP 60° x BSPP 60°**



PART NUMBER	F1 (Thread)	F2 (Thread)	L1	L2	D1	D2	S
#	BSPP	BSPP	mm	mm	mm	mm	mm
DABPM905M-0202	1/8"-28	1/8"-28	20.00	20.00	3.50	3.50	11.00
DABPM905M-0404	1/4"-19	1/4"-19	27.00	27.00	4.70	4.70	14.00
DABPM905M-0604	3/8"-19	1/4"-19	29.00	29.00	7.90	4.70	19.00
DABPM905M-0606	3/8"-19	3/8"-19	29.00	29.00	9.00	9.00	19.00
DABPM905M-0806	1/2"-14	3/8"-14	35.00	35.00	11.10	7.90	22.00
DABPM905M-0808	1/2"-14	1/2"-14	34.00	34.00	11.10	11.10	22.00
DABPM905M-1010	5/8"-14	5/8"-14	37.00	37.00	14.00	14.00	27.00
DABPM905M-1212	3/4"-14	3/4"-14	43.00	43.00	16.70	16.70	27.00
DABPM905M-1616	1"-11	1"-11	48.00	48.00	22.00	22.00	33.00
DABPM905M-2020	1-1/4"-11	1-1/4"-11	52.30	52.30	28.60	28.60	41.00
DABPM905M-2424	1-1/2"-11	1-1/2"-11	60.50	60.50	33.30	33.30	48.00
DABPM905M-3232	2"11	2"11	75.00	75.00	46.00	46.00	65.00

## DABPM905M-SQ

90° Elbow Connector Square BSPP Male 60° - BSPP 60° Male

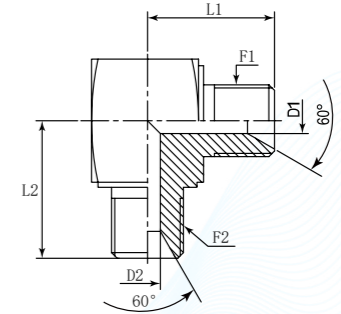
<b>D</b>	<b>A</b>	<b>BP</b>	<b>M</b>	<b>9</b>	<b>05</b>	<b>M</b>	<b>SQ</b>
Company	Product Range	Thread Types	Connection Type	Adaptor Structure	Thread Types	Connection Type	Body Type
<b>DME</b>	Adaptor	BSPP	Male	90° Elbow	BSPP	Male	Square

German Technology Equipment

**SHIELD FLEX**

New-Standard

- DME&JDE Code: **DABPM905-SQ**
- Product Type: **Hydraulic adaptor**
- Standard: **BSP**
- Structure: **90° Elbow**
- Connection Type: **Male x Male**
- Thread Types: **BSPP 60° x BSPP 60°**



PART NUMBER	F1 (Thread)	F2 (Thread)	L1	L2	D1	D2
#	BSPP	BSPP	mm	mm	mm	mm
DABPM905M-0404-SQ	1/4"-19	1/4"-19	22.50	22.50	4.70	4.70
DABPM905M-0606-SQ	3/8"-19	3/8"-19	26.00	26.00	7.90	7.90
DABPM905M-0808-SQ	1/2"-14	1/2"-14	30.00	30.00	11.10	11.10
DABPM905M-1212-SQ	3/4"-14	3/4"-14	34.00	34.00	16.70	16.70
DABPM905M-1616-SQ	1"-11	1"-11	44.00	44.00	22.00	22.00



## DABPM907M

90° Elbow Connector BSPP Male 60° - BSPT Male 60°

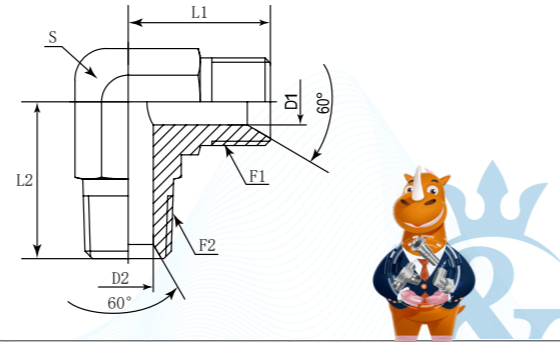
<b>D</b>	<b>A</b>	<b>BP</b>	<b>M</b>	<b>9</b>	<b>07</b>	<b>M</b>
Company	Product Range	Thread Types	Connection Type	Adaptor Structure	Thread Types	Connection Type
<b>DME</b>	Adaptor	BSPP	Male	90° Elbow	BSPT	Male

German Technology Equipment

**SHIELD FLEX**

New-Standard

- DME&JDE Code: **DABPM907M**
- Product Type: **Hydraulic adaptor**
- Standard: **BSP**
- Structure: **90° Elbow**
- Connection Type: **Male x Male**
- Thread Types: **BSPP 60° x BSPT 60°**



PART NUMBER	F1 (Thread)	F2 (Thread)	L1	L2	D1	D2	S
#	BSPT	BSPT	mm	mm	mm	mm	mm
DABPM907M-0202	1/8"-28	1/8"-28	20.00	20.00	3.50	4.50	11.00
DABPM907M-0402	1/4"-28	1/8"-28	27.00	23.50	4.70	4.50	14.00
DABPM907M-0404	1/4"-19	1/4"-19	27.00	27.00	5.00	6.00	14.00
DABPM907M-0606	3/8"-19	3/8"-19	29.00	31.00	7.90	9.00	19.00
DABPM907M-0806	1/2"-14	3/8"-19	34.00	33.00	11.10	9.00	22.00
DABPM907M-0808	1/2"-14	1/2"-14	34.00	37.50	11.10	12.00	22.00
DABPM907M-1212	3/4"-14	3/4"-14	40.00	40.00	16.70	16.70	27.00
DABPM907M-1616	1"-11	1"-11	45.00	45.00	22.20	22.20	33.00
DABPM907M-2020	1-1/4"-11	1-1/4"-11	52.00	60.00	28.60	28.60	41.00
DABPM907M-2424	1-1/2"-11	1-1/2"-11	60.50	67.10	33.30	33.30	48.00
DABPM907M-3232	2"-11	2"-11	75.00	75.00	46.00	46.00	65.00

## DABPM928M

90° Elbow Connector BSPP Male 60° - NPTF Male 60°

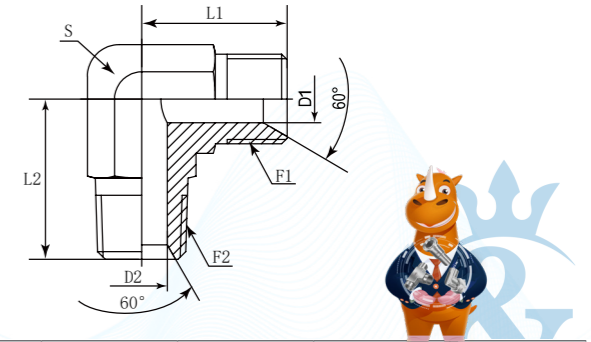
<b>D</b>	<b>A</b>	<b>BP</b>	<b>M</b>	<b>9</b>	<b>28</b>	<b>M</b>
Company	Product Range	Thread Types	Connection Type	Adaptor Structure	Thread Types	Connection Type
<b>DME</b>	Adaptor	BSPP	Male	90° Elbow	NPTF	Male

German Technology Equipment

**SHIELD FLEX**

New-Standard

- DME&JDE Code: **DABPM928M**
- Product Type: **Hydraulic adaptor**
- Standard: **BSP**
- Structure: **90° Elbow**
- Connection Type: **Male x Male**
- Thread Types: **BSPP 60° x NPTF 60°**



PART NUMBER	F1 (Thread)	F2 (Thread)	L1	L2	D1	D2	S
#	BSPP	NPTF	mm	mm	mm	mm	mm
DABPM928M-0202	1/8"-28	1/8"-27	20.00	20.00	3.50	4.78	11.00
DABPM928M-0402	1/4"-19	1/8"-27	27.00	22.40	4.70	4.78	14.00
DABPM928M-0404	1/4"-19	1/4"-18	27.00	27.70	5.00	7.14	14.28
DABPM928M-0606	3/8"-19	3/8"-18	29.00	31.00	7.90	10.31	19.00
DABPM928M-0806	1/2"-14	3/8"-18	34.00	32.50	11.10	10.31	22.00
DABPM928M-0808	1/2"-14	1/2"-14	34.00	37.50	11.10	13.49	22.00
DABPM928M-1212	3/4"-14	3/4"-14	42.00	40.40	16.70	18.26	27.00
DABPM928M-1616	1"-11	1"-11-1/2	47.00	50.00	22.20	23.83	33.30
DABPM928M-2020	1-1/4"-11	1-1/4"-11-1/2	52.50	60.50	28.60	31.75	41.00
DABPM928M-2424	1-1/2"-11	1-1/2"-11-1/2	60.50	67.00	33.30	38.10	48.00
DABPM928M-3232	2"-11	2"-11-1/2	75.00	75.00	46.00	49.23	65.00/63.00

## DABPM9065

90° Adjustable Elbow BSPP Male 60° - BSPP Male + O Ring

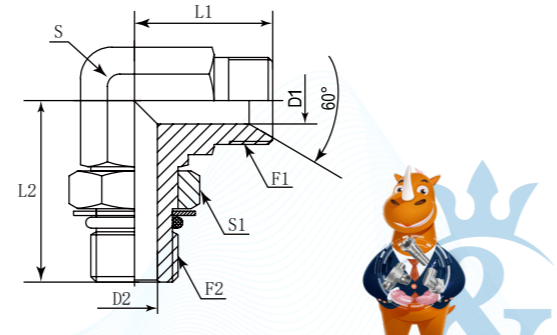
<b>D</b>	<b>A</b>	<b>BP</b>	<b>M</b>	<b>9</b>	<b>06</b>	<b>5</b>
Company	Product Range	Thread Types	Connection Type	Adaptor Structure	Thread Types	Connection Type
<b>DME</b>	Adaptor	BSPP	Male	90° Elbow	BSPP	Male + O Ring

German Technology Equipment

**SHIELD FLEX**

New-Standard

- DME&JDE Code: **DABPM9065**
- Product Type: **Hydraulic adaptor**
- Standard: **BSP**
- Structure: **90° Elbow**
- Connection Type: **Adjustable Male x Male**
- Thread Types: **BSPP 60° x BSPP + O Ring**
- Sealing Method: **O Ring**



PART NUMBER	F1 (Thread)	F2 (Thread)	L1	L2	D1	D2	S	S1
#	BSPP	BSPP	mm	mm	mm	mm	mm	mm
DABPM9065-0202	1/8"-28	1/8"-28	22.50	26.00	3.50	4.40	11.00	14.00
DABPM9065-0402	1/4"-19	1/8"-28	27.00	28.00	4.70	4.40	14.00	14.00
DABPM9065-0404	1/4"-19	1/4"-19	27.00	31.50	4.70	7.50	14.00	19.00
DABPM9065-0406	1/4"-19	3/8"-19	28.00	37.00	4.70	9.90	19.00	22.00
DABPM9065-0604	3/8"-19	1/4"-19	29.00	34.00	7.90	7.50	19.00	19.00
DABPM9065-0606	3/8"-19	3/8"-19	29.00	37.00	7.90	9.90	19.00	22.00
DABPM9065-0608	3/8"-19	1/2"-14	32.00	43.00	7.90	12.30	22.00	27.00
DABPM9065-0806	1/2"-14	3/8"-19	34.00	40.00	11.10	9.90	22.00	22.00
DABPM9065-0808	1/2"-14	1/2"-14	34.00	43.00	11.10	12.30	22.00	27.00
DABPM9065-0812	1/2"-14	3/4"-14	37.00	50.00	11.10	15.50	27.00	36.00
DABPM9065-1208	3/4"-14	1/2"-14	41.00	45.50	16.70	12.30	27.00	27.00
DABPM9065-1212	3/4"-14	3/4"-14	41.00	50.00	16.70	15.50	27.00	36.00
DABPM9065-1216	3/4"-14	1"-11	43.00	53.00	16.70	21.50	33.00	41.00
DABPM9065-1612	1"-11	3/4"-14	46.00	52.00	22.20	15.50	33.00	36.00
DABPM9065-1616	1"-11	1"-11	46.00	53.00	22.20	21.50	33.00	41.00
DABPM9065-2020	1-1/4"-11	1-1/4"-11	51.00	58.00	28.60	27.50	41.00	50.00
DABPM9065-2424	1-1/2"-11	1-1/2"-11	60.00	61.00	33.30	33.00	48.00	55.00

## DABPM906Q

90° Adjustable Elbow BSPP Male 60° - BSPP Male + O Ring + Retaining Ring

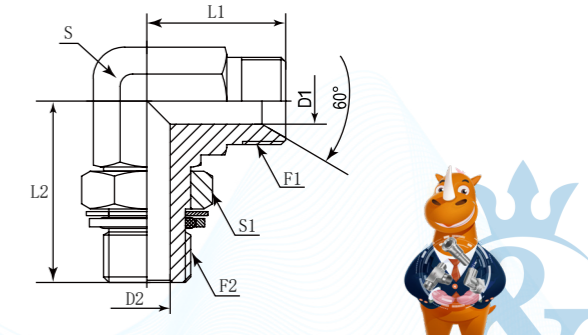
<b>D</b>	<b>A</b>	<b>BP</b>	<b>M</b>	<b>9</b>	<b>06</b>	<b>0</b>
Company	Product Range	Thread Types	Connection Type	Adaptor Structure	Thread Types	Connection Type
<b>DME</b>	Adaptor	BSPP	Male	90° Elbow	BSPP	Male + O Ring + Retaining Ring

German Technology Equipment

**SHIELD FLEX**

New-Standard

- DME&JDE Code: **DABPM906Q**
- Product Type: **Hydraulic adaptor**
- Standard: **BSP**
- Structure: **90° Elbow**
- Connection Type: **Adjustable Male x Male**
- Thread Types: **BSPP 60° x BSPP**
- Sealing Method: **O Ring + Retaining Ring**



PART NUMBER	F1 (Thread)	F2 (Thread)	L1	L2	D1	D2	S	S1
#	BSPP	BSPP	mm	mm	mm	mm	mm	mm
DABPM906Q-0202	1/8"-28	1/8"-28	22.50	26.00	3.50	4.40	11	14
DABPM906Q-0402	1/4"-19	1/8"-28	27.00	28.00	4.70	4.40	14	14
DABPM906Q-0404	1/4"-19	1/4"-19	27.00	31.50	4.70	7.50	14	19
DABPM906Q-0406	1/4"-19	3/8"-19	28.00	37.00	4.70	9.90	19	22
DABPM906Q-0604	3/8"-19	1/4"-19	29.00	34.00	7.90	7.50	19	19
DABPM906Q-0606	3/8"-19	3/8"-19	29.00	37.00	7.90	9.90	19	22
DABPM906Q-0608	3/8"-19	1/2"-14	32.00	43.00	7.90	12.30	22	27
DABPM906Q-0806	1/2"-14	3/8"-19	34.00	40.00	11.10	9.90	22	22
DABPM906Q-0808	1/2"-14	1/2"-14	34.00	43.00	11.10	12.30	22	27
DABPM906Q-0812	1/2"-14	3/4"-14	37.00	50.00	11.10	15.50	27	36
DABPM906Q-1208	3/4"-14	1/2"-14	41.00	45.50	16.70	12.30	27	27
DABPM906Q-1212	3/4"-14	3/4"-14	41.00	50.00	16.70	15.50	27	36
DABPM906Q-1216	3/4"-14	1"-11	43.00	53.00	16.70	21.50	33	41
DABPM906Q-1612	1"-11	3/4"-14	46.00	52.00	22.20	15.50	33	36
DABPM906Q-1616	1"-11	1"-11	46.00	53.00	22.20	21.50	33	41
DABPM906Q-1620	1"-11	1-1/4"-11	50.00	58.00	22.20	27.50	41	50
DABPM906Q-2016	1-1/4"-11	1"-11	51.00	57.00	28.60	21.50	41	41
DABPM906Q-2020	1-1/4"-11	1-1/4"-11	51.00	58.00	28.60	27.50	41	50
DABPM906Q-2424	1-1/2"-11	1-1/2"-11	59.00	67.00	33.30	33.00	48	55
DABPM906Q-3232	2"-11	2"-11	75.00	75.00	46.00	45.00	63.50	70





## DABPM9305

90° Adjustable Elbow BSPP Male 60° – SAE Male O Ring

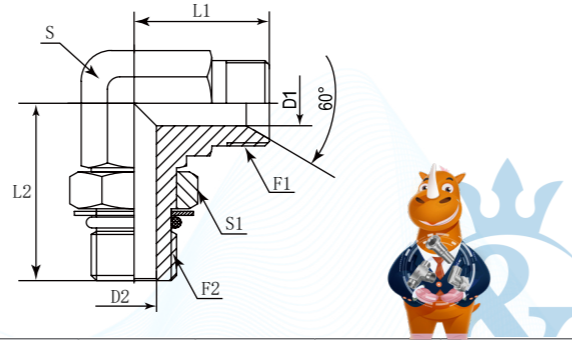
<b>D</b>	<b>A</b>	<b>BP</b>	<b>M</b>	<b>9</b>	<b>30</b>	<b>5</b>
Company	Product Range	Thread Types	Connection Type	Adaptor Structure	Thread Types	Connection Type
<b>DME</b>	Adaptor	BSPP	Male	90° Elbow	SAE UNF	Male O Ring

German Technology Equipment

**SHIELD FLEX**

New-Standard

- DME&JDE Code: **DABPM9305**
- Product Type: **Hydraulic adaptor**
- Standard: **BSP**
- Structure: **90° Elbow**
- Connection Type: **Adjustable Male × Male**
- Thread Types: **BSPP 60° × SAE UNF O Ring**
- Sealing Method: **O Ring**



PART NUMBER	F1 (Thread)	F2 (Thread)	L1	L2	D1	D2	S	S1
#	BSPP	UNF	mm	mm	mm	mm	mm	mm
DABPM9305-0204	1/8"-28	7/16"-20	22.50	26.16	3.50	4.37	11.10	14.29
DABPM9305-0205	1/8"-28	1/2"-20	24.00	28.70	3.50	5.94	14.27	15.88
DABPM9305-0404	1/4"-19	7/16"-20	27.00	30.20	4.70	4.37	14.00	14.00
DABPM9305-0405	1/4"-19	1/2"-20	27.00	28.70	4.70	5.94	14.27	15.88
DABPM9305-0406	1/4"-19	9/16"-18	27.00	31.80	4.70	7.54	14.00	17.46
DABPM9305-0606	3/8"-19	9/16"-18	29.00	33.80	7.90	7.54	19.00	17.46
DABPM9305-0608	3/8"-19	3/4"-16	31.00	37.00	7.90	9.93	19.00	22.00
DABPM9305-0808	1/2"-14	3/4"-16	34.00	40.50	11.10	9.93	22.00	22.00
DABPM9305-0810	1/2"-14	7/8"-14	34.00	43.20	11.10	12.29	22.22	25.40
DABPM9305-1212	3/4"-14	1-1/16"-12	42.00	49.30	16.70	15.47	27.00	31.75
DABPM9305-1616	1"-11	1-5/16"-12	46.00	52.10	22.20	21.44	33.00	38.10
DABPM9305-2020	1-1/4"-11	1-5/8"-12	52.00	57.30	28.60	27.38	41.38	50.00
DABPM9305-2424	1-1/2"-11	1-7/8"-12	60.00	61.00	33.30	33.32	48.00	53.98

## DABPM952Q

90° Adjustable Elbow BSPP Male 60° - Metric Male + O Ring + Retaining Ring

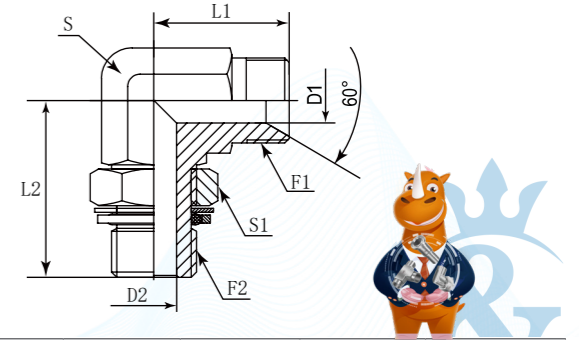
<b>D</b>	<b>A</b>	<b>BP</b>	<b>M</b>	<b>9</b>	<b>52</b>	<b>0</b>
Company	Product Range	Thread Types	Connection Type	Adaptor Structure	Thread Types	Connection Type
<b>DME</b>	Adaptor	BSPP	Male	90° Elbow	Metric	Male + O Ring + Retaining Ring

German Technology Equipment

**SHIELD FLEX**

New-Standard

- DME&JDE Code: **DABPM952Q**
- Product Type: **Hydraulic adaptor**
- Standard: **BSP**
- Structure: **90° Elbow**
- Connection Type: **Adjustable Male × Male**
- Thread Types: **BSPP 60° × Metric**
- Sealing Method: **O Ring + Retaining Ring**



PART NUMBER	F1 (Thread)	F2 (Thread)	L1	L2	D1	D2	S	S1
#	BSPP	Metric	mm	mm	mm	mm	mm	mm
DABPM952Q-0210	1/8"-28	M10X1	22.00	27.00	3.50	4.50	11.00	14.00
DABPM952Q-0212	1/8"-28	M12X1.5	24.00	31.50	3.50	6.00	14.00	17.00
DABPM952Q-0412	1/4"-19	M12X1.5	27.00	31.50	4.70	6.00	14.00	17.00
DABPM952Q-0414	1/4"-19	M14X1.5	27.00	31.50	4.70	7.50	14.00	19.00
DABPM952Q-0416	1/4"-19	M16X1.5	28.00	37.00	4.70	9.00	19.00	22.00
DABPM952Q-0614	3/8"-19	M14X1.5	29.00	34.00	7.90	7.50	14.00	19.00
DABPM952Q-0616	3/8"-19	M16X1.5	29.00	37.00	7.90	9.00	19.00	22.00
DABPM952Q-0618	3/8"-19	M18X1.5	29.00	38.00	7.90	11.00	19.00	24.00
DABPM952Q-0816	1/2"-14	M16X1.5	34.00	40.00	11.10	7.00	22.00	22.00
DABPM952Q-0818	1/2"-14	M18X1.5	34.00	41.00	11.10	11.00	22.00	24.00
DABPM952Q-0820	1/2"-14	M20X1.5	34.00	43.00	11.10	12.50	22.00	27.00
DABPM952Q-0822	1/2"-14	M22X1.5	34.00	43.00	11.10	14.00	22.00	27.00
DABPM952Q-1022	5/8"-14	M22X1.5	37.00	46.00	14.30	14.00	22.00	27.00
DABPM952Q-1222	3/4"-14	M22X1.5	41.00	46.00	16.70	14.00	27.00	27.00
DABPM952Q-1226	3/4"-14	M26X1.5	41.00	50.00	16.70	17.00	27.00	32.00
DABPM952Q-1227	3/4"-14	M27X2	41.00	50.00	16.70	18.00	27.00	32.00
DABPM952Q-1627	1"-11	M27X2	46.00	52.00	22.20	18.00	33.00	32.00
DABPM952Q-1633	1"-11	M33X2	46.00	53.00	22.20	23.00	33.00	41.00
DABPM952Q-2042	1-1/4"-11	M42X2	51.00	58.00	28.60	30.00	41.00	50.00
DABPM952Q-2448	1-1/2"-11	M48X2	59.00	67.00	33.30	36.00	48.00	55.00

## DABPM9525

90° Adjustable Elbow BSPP Male 60° - Metric Male + O Ring

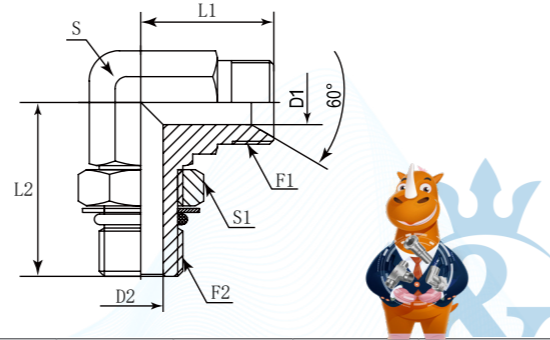
<b>D</b>	<b>A</b>	<b>BP</b>	<b>M</b>	<b>9</b>	<b>52</b>	<b>5</b>
Company	Product Range	Thread Types	Connection Type	Adaptor Structure	Thread Types	Connection Type
<b>DME</b>	Adaptor	BSPP	Male	90° Elbow	Metric	Male + O Ring

German Technology Equipment

**SHIELD FLEX**

New-Standard

- DME&JDE Code: **DABPM9525**
- Product Type: **Hydraulic adaptor**
- Standard: **BSP**
- Structure: **90° Elbow**
- Connection Type: **Adjustable Male x Male**
- Thread Types: **BSPP 60° x Metric + O Ring**
- Sealing Method: **O Ring**



PART NUMBER	F1 (Thread)	F2 (Thread)	L1	L2	D1	D2	S	S1
#	BSPP	Metric	mm	mm	mm	mm	mm	mm
DABPM9525-0210	1/8"-28	M10X1	22.00	27.00	3.50	4.50	11.00	14.00
DABPM9525-0212	1/8"-28	M12X1.5	24.00	31.50	3.50	6.00	14.00	17.00
DABPM9525-0412	1/4"-19	M12X1.5	27.00	31.50	4.70	6.00	14.00	17.00
DABPM9525-0414	1/4"-19	M14X1.5	27.00	31.50	4.70	7.50	14.00	19.00
DABPM9525-0416	1/4"-19	M16X1.5	28.00	37.00	4.70	9.00	19.00	22.00
DABPM9525-0614	3/8"-19	M14X1.5	29.00	34.00	7.90	7.50	14.00	19.00
DABPM9525-0616	3/8"-19	M16X1.5	29.00	37.00	7.90	9.00	19.00	22.00
DABPM9525-0618	3/8"-19	M18X1.5	29.00	38.00	7.90	11.00	19.00	24.00
DABPM9525-0816	1/2"-14	M16X1.5	34.00	40.00	11.10	7.00	22.00	22.00
DABPM9525-0818	1/2"-14	M18X1.5	34.00	41.00	11.10	11.00	22.00	24.00
DABPM9525-0820	1/2"-14	M20X1.5	34.00	43.00	11.10	12.50	22.00	27.00
DABPM9525-0822	1/2"-14	M22X1.5	34.00	43.00	11.10	14.00	22.00	27.00
DABPM9525-1022	5/8"-14	M22X1.5	37.00	46.00	14.30	14.00	22.00	27.00
DABPM9525-1222	3/4"-14	M22X1.5	41.00	46.00	16.70	14.00	27.00	27.00
DABPM9525-1226	3/4"-14	M26X1.5	41.00	50.00	16.70	17.00	27.00	32.00
DABPM9525-1227	3/4"-14	M27X2	41.00	50.00	16.70	18.00	27.00	32.00
DABPM9525-1627	1"-11	M27X2	46.00	52.00	22.20	18.00	33.00	32.00
DABPM9525-1633	1"-11	M33X2	46.00	53.00	22.20	23.00	33.00	41.00
DABPM9525-2042	1-1/4"-11	M42X2	51.00	58.00	28.60	30.00	41.00	50.00
DABPM9525-2448	1-1/2"-11	M48X2	59.00	67.00	33.30	36.00	48.00	55.00

## DABPM930J

90° Adjustable Long Elbow BSPP Male 60° - SAE Male + O Ring

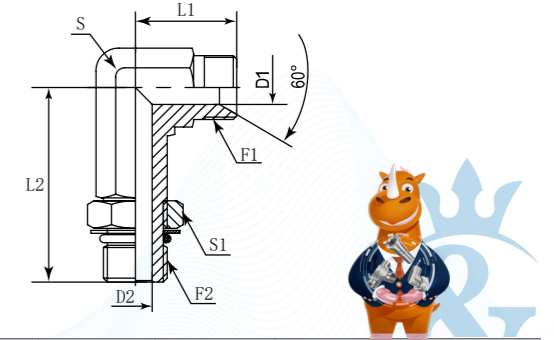
<b>D</b>	<b>A</b>	<b>BP</b>	<b>M</b>	<b>9</b>	<b>30</b>	<b>J</b>
Company	Product Range	Thread Types	Connection Type	Adaptor Structure	Thread Types	Sealing Type
<b>DME</b>	Adaptor	BSPP	Male	90° Elbow	SAE	Long O Ring

German Technology Equipment

**SHIELD FLEX**

New-Standard

- DME&JDE Code: **DABPM930J**
- Product Type: **Hydraulic adaptor**
- Standard: **BSP**
- Structure: **90° Elbow**
- Connection Type: **Male x Male**
- Thread Types: **BSPP 60° Cone x SAE UNF**
- Thread Types: **Long O Ring**



PART NUMBER	F1 (Thread)	F2 (Thread)	C1	C2	D1	D2	L	S
#	BSPP	UNF	mm	mm	mm	mm	mm	mm
DABPM930J-0204	1/8"-28	7/16"-20	22.00	45.00	3.50	4.37	11.00	17.00
DABPM930J-0205	1/8"-28	1/2"-20	24.00	46.00	3.50	5.94	14.00	17.00
DABPM930J-0405	1/4"-28	1/2"-20	27.00	56.00	4.70	5.94	14.00	17.00
DABPM930J-0406	1/4"-28	9/16"-18	27.00	56.00	4.70	7.54	14.00	19.00
DABPM930J-0608	3/8"-19	3/4"-16	29.00	67.00	7.90	9.93	19.00	22.00
DABPM930J-0808	1/2"-14	3/4"-16	34.00	75.00	11.10	9.93	22.00	22.00
DABPM930J-0810	1/2"-14	7/8"-14	34.00	78.00	11.10	12.29	22.00	27.00
DABPM930J-1010	5/8"-14	7/8"-14	37.00	78.00	14.30	12.29	22.00	27.00
DABPM930J-1212	3/4"-14	1-1/16"-12	41.00	92.00	16.70	15.47	27.00	32.00
DABPM930J-1216	3/4"-14	1-5/16"-12	43.00	105.00	16.70	21.44	33.00	38.00
DABPM930J-1616	1"-11	1-5/16"-12	46.00	105.00	22.20	21.44	33.00	38.00
DABPM930J-1620	1"-11	1-5/8"-12	50.00	124.00	22.20	27.38	41.00	50.00
DABPM930J-2020	1-1/4"-11	1-5/8"-12	51.00	124.00	28.60	27.38	41.00	50.00
DABPM930J-2424	1-1/2"-11	1-7/8"-12	59.00	135.00	33.30	33.32	48.00	55.00



## DABPM906Y

90° Adjustable Long Elbow BSPP Male 60° - BSPP Male + O Ring + Retaining Ring

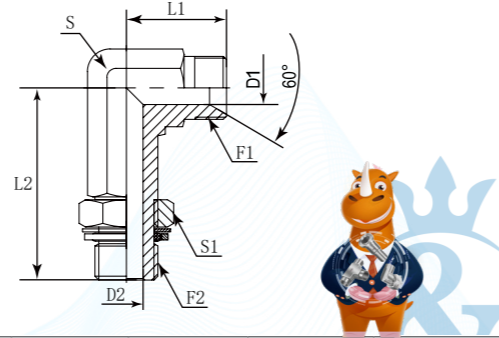
<b>D</b>	<b>A</b>	<b>BP</b>	<b>M</b>	<b>9</b>	<b>06</b>	<b>Y</b>
Company	Product Range	Thread Types	Connection Type	Adaptor Structure	Thread Types	Connection Type
<b>DME</b>	Adaptor	BSPP	Male	90° Elbow	BSPP	Male + Long O Ring + Retaining Ring

German Technology Equipment

**SHIELD FLEX**

New-Standard

- DME&JDE Code: **DABPM906Y**
- Product Type: **Hydraulic adaptor**
- Standard: **BSP**
- Structure: **90° Elbow**
- Connection Type: **Adjustable Male x Male**
- Thread Types: **BSPP 60° x BSPP + Long O Ring + Retaining Ring**
- Sealing Method: **Long O Ring + Retaining Ring**



PART NUMBER	F1 (Thread)	F2 (Thread)	L1	L2	D1	D2	S	S1
#	BSPP	BSPP	mm	mm	mm	mm	mm	mm
DABPM906Y-0202	1/8"-28	1/8"-28	22.00	46.00	3.50	4.40	11.00	14.00
DABPM906Y-0204	1/8"-28	1/4"-19	24.00	56.50	3.50	7.50	14.00	19.00
DABPM906Y-0404	1/4"-19	1/4"-19	27.00	56.50	4.70	7.50	14.00	19.00
DABPM906Y-0406	1/4"-19	3/8"-19	28.00	67.00	4.70	9.90	19.00	22.00
DABPM906Y-0606	3/8"-19	3/8"-19	29.00	67.00	7.90	9.90	19.00	22.00
DABPM906Y-0608	3/8"-19	1/2"-14	32.00	78.00	7.90	12.30	22.00	27.00
DABPM906Y-0806	1/2"-14	3/8"-19	34.00	78.00	11.10	9.90	22.00	22.00
DABPM906Y-0808	1/2"-14	1/2"-14	34.00	78.00	11.10	12.30	22.00	27.00
DABPM906Y-1008	5/8"-14	1/2"-14	37.00	92.00	14.30	12.30	22.00	27.00
DABPM906Y-1212	3/4"-14	3/4"-14	41.00	92.00	16.70	15.50	27.00	32.00
DABPM906Y-1216	3/4"-14	1"-11	43.00	105.00	16.70	21.50	33.00	33.00
DABPM906Y-1616	1"-11	1"-11	46.00	105.00	22.20	21.50	33.00	41.00
DABPM906Y-1620	1"-11	1-1/4"-11	50.00	124.00	22.20	27.50	41.00	50.00
DABPM906Y-2020	1-1/4"-11	1-1/4"-11	51.00	124.00	28.60	27.50	41.00	50.00
DABPM906Y-2424	1-1/2"-11	1-1/2"-11	59.00	135.00	33.30	33.00	48.00	55.00



## DABPM906J

90° Adjustable Long Elbow BSPP Male 60° - BSPP Male + O Ring

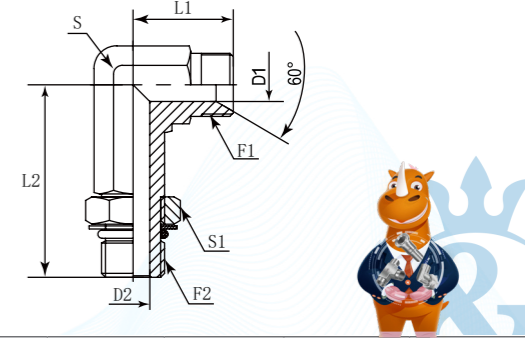
<b>D</b>	<b>A</b>	<b>BP</b>	<b>M</b>	<b>9</b>	<b>06</b>	<b>J</b>
Company	Product Range	Thread Types	Connection Type	Adaptor Structure	Thread Types	Connection Type
<b>DME</b>	Adaptor	BSPP	Male	90° Elbow	BSPP	Male Long O Ring

German Technology Equipment

**SHIELD FLEX**

New-Standard

- DME&JDE Code: **DABPM906J**
- Product Type: **Hydraulic adaptor**
- Standard: **BSP**
- Structure: **90° Elbow**
- Connection Type: **Adjustable Male x Male**
- Thread Types: **BSPP 60° x BSPP + Long O Ring**
- Sealing Method: **Long O Ring**



PART NUMBER	F1 (Thread)	F2 (Thread)	L1	L2	D1	D2	S	S1
#	BSPP	BSPP	mm	mm	mm	mm	mm	mm
DABPM906J-0202	1/8"-28	1/8"-28	22.00	46.00	3.50	4.40	11.00	14.00
DABPM906J-0204	1/8"-28	1/4"-19	24.00	56.50	3.50	7.50	14.00	19.00
DABPM906J-0404	1/4"-19	1/4"-19	27.00	56.50	4.70	7.50	14.00	19.00
DABPM906J-0406	1/4"-19	3/8"-19	28.00	67.00	4.70	9.90	19.00	22.00
DABPM906J-0606	3/8"-19	3/8"-19	29.00	67.00	7.90	9.90	19.00	22.00
DABPM906J-0608	3/8"-19	1/2"-14	32.00	78.00	7.90	12.30	22.00	27.00
DABPM906J-0806	1/2"-14	3/8"-19	34.00	78.00	11.10	9.90	22.00	22.00
DABPM906J-0808	1/2"-14	1/2"-14	34.00	78.00	11.10	12.30	22.00	27.00
DABPM906J-1008	5/8"-14	1/2"-14	37.00	92.00	14.30	12.30	22.00	27.00
DABPM906J-1212	3/4"-14	3/4"-14	41.00	92.00	16.70	15.50	27.00	32.00
DABPM906J-1216	3/4"-14	1"-11	43.00	105.00	16.70	21.50	33.00	33.00
DABPM906J-1616	1"-11	1"-11	46.00	105.00	22.20	21.50	33.00	41.00
DABPM906J-1620	1"-11	1-1/4"-11	50.00	124.00	22.20	27.50	41.00	50.00
DABPM906J-2020	1-1/4"-11	1-1/4"-11	51.00	124.00	28.60	27.50	41.00	50.00
DABPM906J-2424	1-1/2"-11	1-1/2"-11	59.00	135.00	33.30	33.00	48.00	55.00



## DABPM952Y

90° Adjustable Long Elbow BSPP Male 60° - Metric Male + O Ring + Retaining Ring

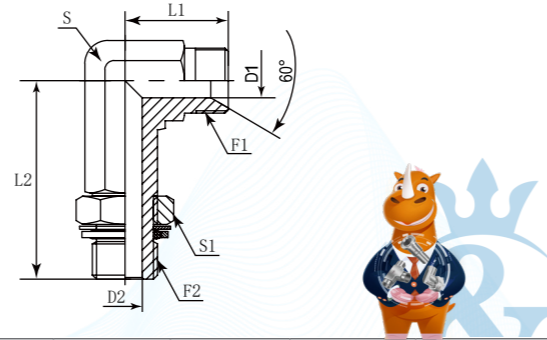
<b>D</b>	<b>A</b>	<b>BP</b>	<b>M</b>	<b>9</b>	<b>52</b>	<b>Y</b>
Company	Product Range	Thread Types	Connection Type	Adaptor Structure	Thread Types	Connection Type
<b>DME</b>	Adaptor	BSPP	Male	90° Elbow	Metric	Male + Long O Ring + Retaining Ring

German Technology Equipment

**SHIELD FLEX**

New-Standard

- DME&JDE Code: **DABPM952Y**
- Product Type: **Hydraulic adaptor**
- Standard: **BSP**
- Structure: **90° Elbow**
- Connection Type: **Adjustable Male x Male**
- Thread Types: **BSPP 60° x Metric + O Ring + Retaining Ring**
- Sealing Method: **Long O Ring + Retaining Ring**



PART NUMBER	F1 (Thread)	F2 (Thread)	C1	C2	D1	D2	L	S
#	BSPP	Metric	mm	mm	mm	mm	mm	mm
DABPM952Y-0210	1/8"-28	M10X1	22.00	46.00	3.50	4.50	11.00	14.00
DABPM952Y-0212	1/8"-28	M12X1.5	25.00	56.50	3.50	6.00	14.00	17.00
DABPM952Y-0412	1/4"-19	M12X1.5	27.00	56.50	4.70	6.00	14.00	17.00
DABPM952Y-0414	1/4"-19	M14X1.5	27.00	56.50	4.70	7.50	14.00	19.00
DABPM952Y-0616	3/8"-19	M16X1.5	29.00	65.00	7.90	9.00	19.00	22.00
DABPM952Y-0618	3/8"-19	M18X1.5	29.00	67.00	7.90	11.00	19.00	24.00
DABPM952Y-0818	1/2"-14	M18X1.5	34.00	76.00	11.10	11.00	22.00	24.00
DABPM952Y-0822	1/2"-14	M22X1.5	34.00	78.00	11.10	14.00	22.00	27.00
DABPM952Y-1022	5/8"-14	M22X1.5	37.00	78.00	14.30	14.00	22.00	27.00
DABPM952Y-1222	3/4"-14	M22X1.5	41.00	93.00	16.70	14.00	27.00	27.00
DABPM952Y-1226	3/4"-14	M26X1.5	41.00	95.00	16.70	17.00	27.00	32.00
DABPM952Y-1227	3/4"-14	M27X2	41.00	95.00	16.70	18.00	27.00	32.00
DABPM952Y-1627	1"-11	M27X2	46.00	105.00	22.20	18.00	33.00	32.00
DABPM952Y-1633	1"-11	M33X2	46.00	105.00	22.20	23.00	33.00	41.00
DABPM952Y-2042	1-1/4"-11	M42X2	51.00	124.00	28.60	30.00	41.00	50.00
DABPM952Y-2448	1-1/2"-11	M48X2	59.00	141.00	33.30	36.00	48.00	55.00

## DABPM952J

90° Adjustable Long Elbow BSPP Male 60° - Metric Male + O Ring

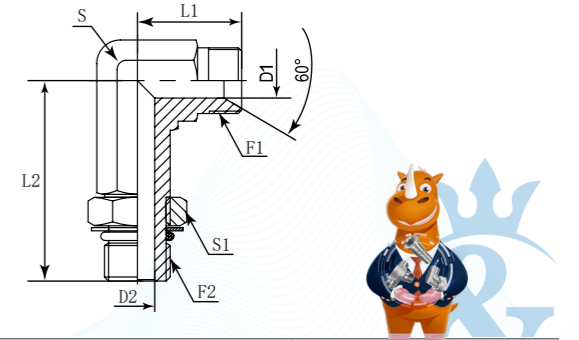
<b>D</b>	<b>A</b>	<b>BP</b>	<b>M</b>	<b>9</b>	<b>52</b>	<b>J</b>
Company	Product Range	Thread Types	Connection Type	Adaptor Structure	Thread Types	Connection Type
<b>DME</b>	Adaptor	BSPP	Male	90° Elbow	Metric	Male+ Long O Ring

German Technology Equipment

**SHIELD FLEX**

New-Standard

- DME&JDE Code: **DABPM952J**
- Product Type: **Hydraulic adaptor**
- Standard: **BSP**
- Structure: **90° Elbow**
- Connection Type: **Adjustable Male x Male**
- Thread Types: **BSPP 60° x Metric**
- Sealing Method: **Long O Ring**



PART NUMBER	F1 (Thread)	F2 (Thread)	L1	L2	D1	D2	S	S1
#	BSPP	Metric	mm	mm	mm	mm	mm	mm
DABPM952J-0210	1/8"-28	M10X1	22.00	46.00	3.50	4.50	11.00	14.00
DABPM952J-0212	1/8"-28	M12X1.5	25.00	56.50	3.50	6.00	14.00	17.00
DABPM952J-0412	1/4"-19	M12X1.5	27.00	56.50	4.70	6.00	14.00	17.00
DABPM952J-0414	1/4"-19	M14X1.5	27.00	56.50	4.70	7.50	14.00	19.00
DABPM952J-0616	3/8"-19	M16X1.5	29.00	65.00	7.90	9.00	19.00	22.00
DABPM952J-0618	3/8"-19	M18X1.5	29.00	67.00	7.90	11.00	19.00	24.00
DABPM952J-0818	1/2"-14	M18X1.5	34.00	76.00	11.10	11.00	22.00	24.00
DABPM952J-0822	1/2"-14	M22X1.5	34.00	78.00	11.10	14.00	22.00	27.00
DABPM952J-1022	5/8"-14	M22X1.5	37.00	78.00	14.30	14.00	22.00	27.00
DABPM952J-1222	3/4"-14	M22X1.5	41.00	93.00	16.70	14.00	27.00	27.00
DABPM952J-1226	3/4"-14	M26X1.5	41.00	95.00	16.70	17.00	27.00	32.00
DABPM952J-1227	3/4"-14	M27X2	41.00	95.00	16.70	18.00	27.00	32.00
DABPM952J-1627	1"-11	M27X2	46.00	105.00	22.20	18.00	33.00	32.00
DABPM952J-1633	1"-11	M33X2	46.00	105.00	22.20	23.00	33.00	41.00
DABPM952J-2042	1-1/4"-11	M42X2	51.00	124.00	28.60	30.00	41.00	50.00
DABPM952J-2448	1-1/2"-11	M48X2	59.00	141.00	33.30	36.00	48.00	55.00



## DABPM905T

90° Bulkhead Elbow BSPP Male 60° - BSPP 60° Male

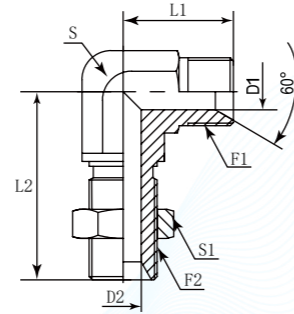
<b>D</b>	<b>A</b>	<b>BP</b>	<b>M</b>	<b>9</b>	<b>05</b>	<b>T</b>
Company	Product Range	Thread Types	Connection Type	Adaptor Structure	Thread Types	Connection Type
<b>DME</b>	Adaptor	BSPP	Male	90° Elbow	BSPP	Male Bulkhead

German Technology Equipment

**SHIELD FLEX**

New-Standard

- DME&JDE Code: **DABPM905T**
- Product Type: **Hydraulic adaptor**
- Standard: **BSP**
- Structure: **90° Elbow**
- Connection Type: **Male x Male**
- Thread Types: **BSPP 60° x BSPP 60°**
- Other Features: **Bulkhead**



PART NUMBER	F1 (Thread)	F2 (Thread)	L1	L2	D1	D2	S	S1
#	BSPP	BSPP	mm	mm	mm	mm	mm	mm
DABPM905T-0202	1/8"-28	1/8"-28	21.00	38.00	3.50	3.50	11.00	14.00
DABPM905T-0404	1/4"-19	1/4"-19	25.00	45.00	4.70	4.70	14.00	19.00
DABPM905T-0606	3/8"-19	3/8"-19	30.00	52.00	7.90	7.90	19.00	22.00
DABPM905T-0808	1/2"-14	1/2"-14	34.00	58.00	11.10	11.10	22.00	27.00
DABPM905T-1010	5/8"-14	5/8"-14	38.00	59.00	14.00	14.00	27.00	30.00
DABPM905T-1212	3/4"-14	3/4"-14	40.00	65.00	16.70	16.70	27.00	32.00
DABPM905T-1616	1"-11	1"-11	45.00	71.00	22.20	22.20	33.00	41.00
DABPM905T-2020	1-1/4"-11	1-1/4"-11	52.00	77.00	28.60	28.60	41.00	50.00
DABPM905T-2424	1-1/2"-11	1-1/2"-11	60.00	87.00	33.30	33.30	48.00	55.00
DABPM905T-3232	2"-11	2"-11	65.00	97.00	46.00	46.00	65.00	70.00



## DABTM907M

90° Elbow BSPT Male 60° - BSPT Male 60°

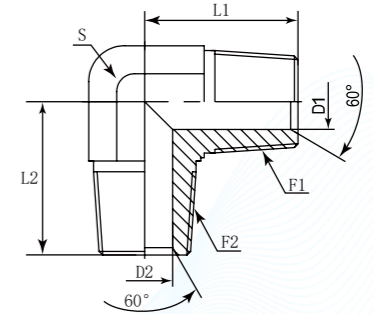
<b>D</b>	<b>A</b>	<b>BT</b>	<b>M</b>	<b>9</b>	<b>07</b>	<b>M</b>
Company	Product Range	Thread Types	Connection Type	Adaptor Structure	Thread Types	Connection Type
<b>DME</b>	Adaptor	BSPT	Male	90° Elbow	BSPT	Male

German Technology Equipment

**SHIELD FLEX**

New-Standard

- DME&JDE Code: **DABTM907M**
- Product Type: **Hydraulic adaptor**
- Standard: **BSP**
- Structure: **90° Elbow**
- Connection Type: **Male x Male**
- Thread Types: **BSPT 60° x BSPT 60°**



PART NUMBER	F1 (Thread)	F2 (Thread)	L1	L2	D1	D2	S
#	BSPT	BSPT	mm	mm	mm	mm	mm
DABTM907M-0202	1/8"-28	1/8"-28	21.00	21.00	4.50	4.50	11.00
DABTM907M-0402	1/4"-19	1/8"-28	25.50	23.50	6.00	4.50	14.00
DABTM907M-0404	1/4"-19	1/4"-19	25.50	25.50	6.00	6.00	14.00
DABTM907M-0604	3/8"-19	1/4"-19	28.50	26.50	9.00	6.00	19.00
DABTM907M-0606	3/8"-19	3/8"-19	28.50	28.50	9.00	9.00	19.00
DABTM907M-0804	1/2"-14	1/4"-19	36.00	30.50	12.00	6.00	22.00
DABTM907M-0806	1/2"-14	3/8"-19	36.00	32.50	12.00	9.00	22.00
DABTM907M-0808	1/2"-14	1/2"-14	36.00	36.00	12.00	12.00	22.00
DABTM907M-1208	3/4"-14	1/2"-14	43.50	39.50	16.70	12.00	27.00
DABTM907M-1212	3/4"-14	3/4"-14	43.50	43.50	16.70	16.70	27.00
DABTM907M-1612	1"-11	3/4"-14	50.00	48.00	22.20	16.70	33.00
DABTM907M-1616	1"-11	1"-11	50.00	50.00	22.20	22.20	33.00
DABTM907M-2016	1-1/4"-11	1"-11	57.50	56.50	28.60	22.20	41.00
DABTM907M-2020	1-1/4"-11	1-1/4"-11	56.50	56.50	28.60	28.60	41.00
DABTM907M-2424	1-1/2"-11	1-1/2"-11	62.50	62.50	33.30	33.30	48.00
DABTM907M-3232	2"-11	2"-11	75.00	75.00	46.00	46.00	63.00



## DABTM928M

90° Elbow BSPT Male 60° - NPTF Male 60°

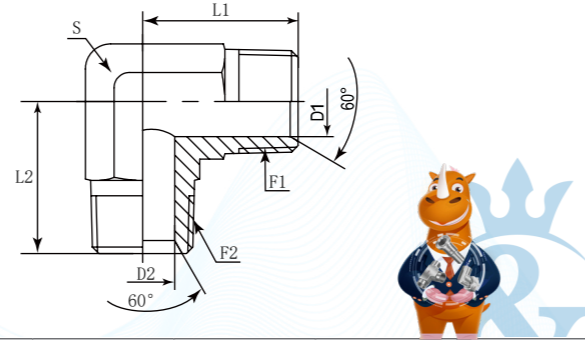
<b>D</b>	<b>A</b>	<b>BP</b>	<b>M</b>	<b>9</b>	<b>28</b>	<b>M</b>
Company	Product Range	Thread Types	Connection Type	Adaptor Structure	Thread Types	Connection Type
<b>DME</b>	Adaptor	BSPT	Male	90° Elbow	NPTF	Male

German Technology Equipment

**SHIELD FLEX**

New-Standard

- DME&JDE Code: **DABTM928M**
- Product Type: **Hydraulic adaptor**
- Standard: **BSP**
- Structure: **90° Elbow**
- Connection Type: **Male × Male**
- Thread Types: **BSPP 60° × NPTF 60°**



PART NUMBER	F1 (Thread)	F2 (Thread)	D1	D2	L1	L2	S
#	BSPT	NPTF	mm	mm	mm	mm	mm
DABTM928M-0404	1/4"-19	1/4"-18	6.00	7.14	25.50	25.50	14.00
DABTM928M-0606	3/8"-19	3/8"-18	9.00	10.31	28.50	28.50	19.00
DABTM928M-0808	1/2"-14	1/2"-14	12.00	13.49	36.00	36.00	22.00
DABTM928M-1212	3/4"-14	3/4"-14	16.70	18.26	43.50	40.40	27.00
DABTM928M-1616	1"-11	1"-11-1/2	22.20	22.20	50.00	50.00	33.00
DABTM928M-2020	1-1/4"-11	1-1/4"-11-1/2	28.60	31.75	56.50	60.50	41.27
DABTM928M-2424	1-1/2"-11	1-1/2"-11-1/2	33.30	38.10	62.50	67.10	47.60
DABTM928M-3232	2"-11	2"-11-1/2	46.00	49.23	75.00	76.50	63.50



## DABTM9305

90° Adjustable Elbow BSPT Male 60° - SAE Male + O Ring

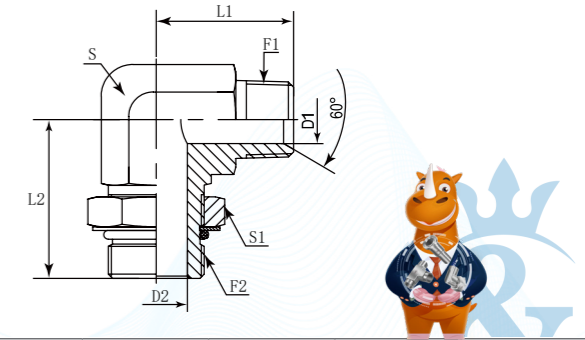
<b>D</b>	<b>A</b>	<b>BT</b>	<b>M</b>	<b>9</b>	<b>30</b>	<b>5</b>
Company	Product Range	Thread Types	Connection Type	Adaptor Structure	Thread Types	Connection Type
<b>DME</b>	Adaptor	BSPT	Male	90° Elbow	SAE	Male + O Ring

German Technology Equipment

**SHIELD FLEX**

New-Standard

- DME&JDE Code: **DABTM9305**
- Product Type: **Hydraulic adaptor**
- Standard: **BSP**
- Structure: **90° Elbow**
- Connection Type: **Adjustable Male × Male**
- Thread Types: **BSPP 60° Cone × SAE UNF + O Ring**
- Sealing Method: **O Ring**



PART NUMBER	F1 (Thread)	F2 (Thread)	L1	L2	D1	D2	S	S1
#	BSPP	BSPP	mm	mm	mm	mm	mm	mm
DABTM9305-0204	1/8"-28	7/16"-20	19.8	26.2	4.5	4.37	11	14
DABTM9305-0404	1/4"-19	7/16"-20	27.50	30.20	6.00	4.37	14.00	14.29
DABTM9305-0406	1/4"-19	9/16"-18	26.00	31.80	6.00	7.54	14.00	17.00
DABTM9305-0408	1/4"-19	3/4"-16	30.00	37.00	6.00	9.93	19.00	22.22
DABTM9305-0606	3/8"-19	9/16"-18	28.50	33.30	9.00	7.54	19.00	17.00
DABTM9305-0608	3/8"-19	3/4"-16	31.00	37.00	9.00	9.93	19.00	22.00
DABTM9305-0610	3/8"-19	7/8"-14	34.00	44.00	9.00	12.29	22.00	27.00
DABTM9305-0808	1/2"-14	3/4"-16	37.00	40.50	12.00	9.93	22.00	22.00
DABTM9305-0810	1/2"-14	7/8"-14	38.00	44.00	12.00	12.29	22.00	27.00
DABTM9305-0812	1/2"-14	1-1/16"-12	41.00	51.00	12.00	15.47	27.00	32.00
DABTM9305-1210	3/4"-14	7/8"-14	43.00	47.00	16.70	12.29	27.00	27.00
DABTM9305-1212	3/4"-14	1-1/16"-12	43.50	51.00	16.70	15.47	27.00	32.00
DABTM9305-1216	3/4"-14	1-5/16"-12	46.00	55.00	16.70	21.44	33.00	41.00
DABTM9305-1612	1"-11	1-1/16"-12	50.00	52.10	22.20	15.47	33.00	32.00
DABTM9305-1616	1"-11	1-5/16"-12	50.00	55.00	22.20	21.44	33.00	41.00
DABTM9305-1620	1"-11	1-5/8"-12	59.70	57.50	22.20	27.38	41.00	50.00
DABTM9305-2020	1-1/4"-11	1-5/8"-12	60.50	57.50	28.60	27.38	41.00	50.00
DABTM9305-2424	1-1/2"-11	1-7/8"-12	67.10	60.70	33.30	33.32	48.00	55.00





## DABTM906Q

Adjustable 90° Elbow BSPT Male 60° - BSPP Male + O Ring + Retaining Ring

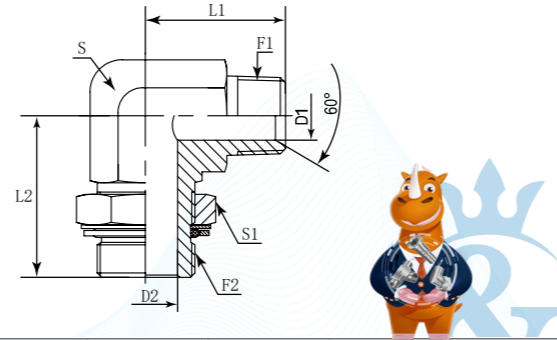
<b>D</b>	<b>A</b>	<b>BT</b>	<b>M</b>	<b>9</b>	<b>05</b>	<b>Q</b>
Company	Product Range	Thread Types	Connection Type	Adaptor Structure	Thread Types	Connection Type
<b>DME</b>	Adaptor	BSPT	Male	90° Elbow	BSPP	Male + O Ring + Retaining Ring

German Technology Equipment

**SHIELD FLEX**

New-Standard

- DME&JDE Code: **DABTM906Q**
- Product Type: **Hydraulic adaptor**
- Standard: **BSP**
- Structure: **90° Elbow**
- Connection Type: **Adjustable Male × Male**
- Thread Types: **BSPT 60° × BSPP**
- Sealing Method: **O Ring + Retaining Ring**



PART NUMBER	F1 (Thread)	F2 (Thread)	L1	L2	D1	D2	S	S1
#	BSPT	UNF	mm	mm	mm	mm	mm	mm
DABTM906Q-0404	1/4"-19	1/4"-19	25.5	31.3	6	7.5	14	19
DABTM906Q-0406	1/4"-19	3/8"-19	26.50	36.80	6.00	9.90	19.00	22.00
DABTM906Q-0606	3/8"-19	3/8"-19	27.50	36.80	9.00	9.90	19.00	22.00
DABTM906Q-0608	3/8"-19	1/2"-14	32.50	43.20	9.00	12.30	22.00	27.00
DABTM906Q-0806	1/2"-14	3/8"-19	37.00	36.80	12.00	9.90	22.00	22.00
DABTM906Q-0808	1/2"-14	1/2"-14	37.00	43.20	12.00	12.30	22.00	27.00
DABTM906Q-0812	1/2"-14	3/4"-14	39.50	49.30	12.00	15.50	27.00	32.00
DABTM906Q-1212	3/4"-14	3/4"-14	43.00	49.30	16.70	15.50	27.00	32.00
DABTM906Q-1216	3/4"-14	1"-11	48.00	53.00	16.70	21.50	33.00	41.00
DABTM906Q-1612	1"-11	3/4"-14	50.00	53.00	22.20	15.50	33.30	32.00
DABTM906Q-1616	1"-11	1"-11	50.00	53.00	22.20	21.50	33.00	41.00
DABTM906Q-1620	1"-11	1-1/4"-11	55.50	58.00	22.20	27.50	41.00	50.00
DABTM906Q-2020	1-1/4"-11	1-1/4"-11	57.00	58.00	28.60	27.50	41.00	50.00
DABTM906Q-2424	1-1/2"-11	1-1/2"-11	62.50	63.00	33.30	33.00	48.00	55.00

## DABPM905F

90° Elbow Connector BSPP Male 60° - BSPP Fixed Female

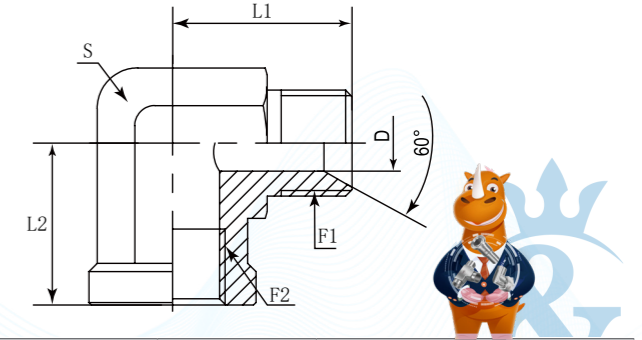
<b>D</b>	<b>A</b>	<b>BP</b>	<b>M</b>	<b>9</b>	<b>05</b>	<b>F</b>
Company	Product Range	Thread Types	Connection Type	Adaptor Structure	Thread Types	Connection Type
<b>DME</b>	Adaptor	BSPP	Male	90° Elbow	BSPP	Female

German Technology Equipment

**SHIELD FLEX**

New-Standard

- DME&JDE Code: **DABPM905F**
- Product Type: **Hydraulic adaptor**
- Standard: **BSP**
- Structure: **90° Elbow**
- Connection Type: **Male × Fixed Female**
- Thread Types: **BSPP 60° × BSPP**



PART NUMBER	F1 (Thread)	F2 (Thread)	D	L1	L2	S
#	BSPP	BSPP	mm	mm	mm	mm
DABPM905F-0202	1/8"-28	1/8"-28	3.50	20.00	20.00	14.00
DABPM905F-0404	1/4"-19	1/4"-19	4.70	27.00	22.00	19.00
DABPM905F-0606	3/8"-19	3/8"-19	7.90	31.00	26.00	22.00
DABPM905F-0808	1/2"-14	1/2"-14	11.10	37.50	32.00	27.00
DABPM905F-1212	3/4"-14	3/4"-14	16.70	40.40	34.50	33.00
DABPM905F-1616	1"-11	1"-11	22.20	50.00	41.50	41.00

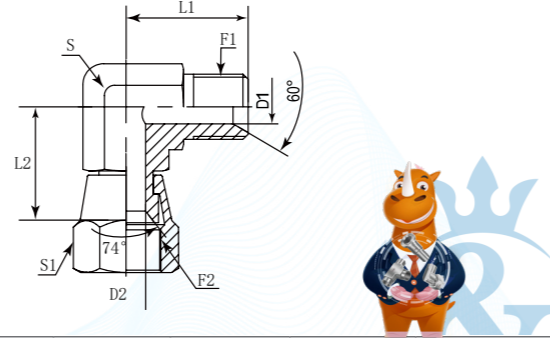
## DABPM9251

90° Elbow Connector BSPP Male 60° Cone - JIC Swivel Female 74°

<b>D</b>	<b>A</b>	<b>BP</b>	<b>M</b>	<b>9</b>	<b>251</b>
Company	Product Range	Thread Types	Connection Type	Adaptor Structure	Thread Types
<b>DME</b>	Adaptor	BSPP	Male	90° Elbow	JIC Swivel Female 74°



DME&JDE Code:	DABPM9251
Product Type	Hydraulic adaptor
Standard:	BSP
Structure:	90° Elbow
Connection Type:	Male x Swivel Female
Thread Types:	BSPP 60° Cone x JIC 74°



PART NUMBER	F1 (Thread)	F2 (Thread)	D1	D2	L1	L2	S	S1
#	BSPP	UNF	mm	mm	mm	mm	mm	mm
DABPM9251-0404	1/4"-19	7/16"-20	4.70	4.40	26.00	22.00	14.00	14.00
DABPM9251-0406	1/4"-19	9/16"-18	4.70	7.54	26.00	22.23	14.00	19.00
DABPM9251-0606	3/8"-19	9/16"-18	7.90	7.54	28.00	22.23	19.00	19.00
DABPM9251-0608	3/8"-19	3/4"-16	7.90	9.93	29.00	24.33	19.00	22.23
DABPM9251-0806	1/2"-14	9/16"-18	11.10	7.54	34.00	25.15	22.00	19.00
DABPM9251-0808	1/2"-14	3/4"-16	11.10	9.93	34.00	26.16	22.00	22.23
DABPM9251-0810	1/2"-14	7/8"-14	11.10	12.29	34.00	28.45	22.00	27.00
DABPM9251-1212	3/4"-14	1-1/16"-12	16.70	15.47	40.00	30.20	27.00	31.75



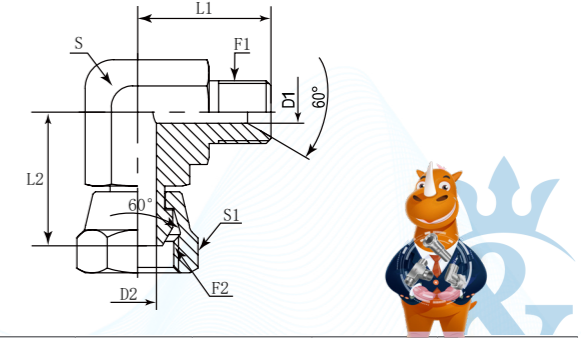
## DABPM9081

90° Elbow Connector BSPP Male 60° - BSPP Swivel Female 60°

<b>D</b>	<b>A</b>	<b>BP</b>	<b>M</b>	<b>9</b>	<b>081</b>
Company	Product Range	Thread Types	Connection Type	Adaptor Structure	Thread Types
<b>DME</b>	Adaptor	BSPP	Male	Straight	BSPP Swivel FemaleP



DME&JDE Code:	DABPM9081
Product Type	Hydraulic adaptor
Standard:	BSP
Structure:	90° Elbow
Connection Type:	Male x Swivel Female
Thread Types:	BSPP 60° x BSPP 60°



PART NUMBER	F1 (Thread)	F2 (Thread)	D1	D2	L1	L2	S	S1
#	BSPP	BSPP	mm	mm	mm	mm	mm	mm
DABPM9081-0202	1/8"-28	1/8"-28	22.50	22.50	3.50	3.50	11.00	14.00
DABPM9081-0404	1/4"-19	1/4"-19	27.00	23.80	4.70	4.70	14.00	19.00
DABPM9081-0406	1/4"-19	3/8"-19	28.00	28.00	4.70	7.90	19.00	22.00
DABPM9081-0604	3/8"-19	1/4"-19	29.00	27.50	7.90	4.70	19.00	19.00
DABPM9081-0606	3/8"-19	3/8"-19	29.00	28.20	7.90	7.50	19.00	22.00
DABPM9081-0808	1/2"-14	1/2"-14	35.00	33.60	11.10	11.10	22.00	27.00
DABPM9081-0812	1/2"-14	3/4"-14	40.50	37.90	11.10	16.70	27.00	32.00
DABPM9081-1010	5/8"-14	5/8"-14	37.00	35.00	14.30	14.30	22.00	30.00
DABPM9081-1212	3/4"-14	3/4"-14	43.00	37.90	16.70	16.70	27.00	32.00
DABPM9081-1612	1"-11	3/4"-14	50.00	45.50	22.20	16.70	33.00	32.00
DABPM9081-1616	1"-11	1"-11	47.00	44.00	22.20	22.20	33.00	41.00
DABPM9081-2016	1-1/4"-11	1"-11	50.00	50.00	28.60	22.20	41.00	41.00
DABPM9081-2020	1-1/4"-11	1-1/4"-11	52.30	50.00	28.60	26.00	41.00	50.00
DABPM9081-2424	1-1/2"-11	1-1/2"-11	60.50	53.30	33.30	33.30	48.00	55.00
DABPM9081-3232	2"-11	2"-11	75.00	60.00	46.00	46.00	65.00	70.00





## DABPM9081-B

90° Swept Elbow BSPP Male 60° Cone - BSPP Swivel Female 60°

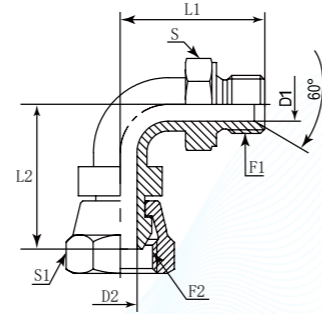
<b>D</b>	<b>A</b>	<b>BP</b>	<b>M</b>	<b>9</b>	<b>081</b>	<b>B</b>
Company	Product Range	Thread Types	Connection Type	Adaptor Structure	Thread Types	Elbow Type
<b>DME</b>	Adaptor	BSPP	Male	90° Elbow	BSPP Swivel Female	Swept Elbow

German Technology Equipment

**SHIELD FLEX**

New-Standard

- DME&JDE Code: **DABPM9081-B**
- Product Type: **Hydraulic adaptor**
- Standard: **BSP**
- Structure: **90° Elbow**
- Connection Type: **Male x Swivel Female**
- Thread Types: **BSPP 60° Cone x BSPP 60°**



PART NUMBER	F1 (Thread)	F2 (Thread)	D1	D2	L1	L2	S	S1
#	BSPP	BSPP	mm	mm	mm	mm	mm	mm
DABPM9081-0404B	1/4"-19	1/4"-19	4.00	4.00	30.00	32.50	19.00	19.00
DABPM9081-0606B	3/8"-19	3/8"-19	7.00	7.00	37.00	39.00	22.00	22.00
DABPM9081-0808B	1/2"-14	1/2"-14	10.00	10.00	45.00	47.00	27.00	27.00
DABPM9081-1010B	5/8"-14	5/8"-14	13.00	13.00	52.00	52.00	30.00	30.00
DABPM9081-1212B	3/4"-14	3/4"-14	15.00	15.00	54.00	57.00	32.00	32.00
DABPM9081-1616B	1"-11	1"-11	19.00	19.00	68.00	69.00	41.00	41.00
DABPM9081-2020B	1-1/4"-11	1-1/4"-11	26.00	26.00	100.00	86.00	50.00	50.00

## DABPM9081-SQ

90° Elbow Connector BSPP Male 60° Cone - BSPP Swivel Female 60°

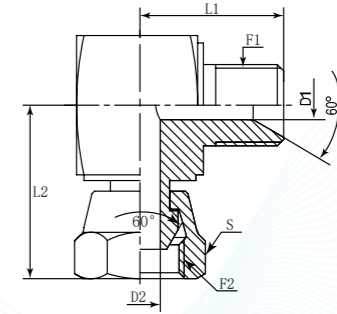
<b>D</b>	<b>A</b>	<b>BP</b>	<b>M</b>	<b>9</b>	<b>081</b>	<b>SQ</b>
Company	Product Range	Thread Types	Connection Type	Adaptor Structure	Connection Type	Body Type
<b>DME</b>	Adaptor	BSPP	Male	90° Elbow	BSPP Swivel Female	Square

German Technology Equipment

**SHIELD FLEX**

New-Standard

- DME&JDE Code: **DABPM9081-SQ**
- Product Type: **Hydraulic adaptor**
- Standard: **BSP**
- Structure: **90° Elbow**
- Connection Type: **Male x Swivel Female**
- Thread Types: **BSPP 60° Cone x BSPP 60°**



PART NUMBER	F1 (Thread)	F2 (Thread)	L1	L2	D1	D2
#	BSPP	BSPP	mm	mm	mm	mm
DABPM9081-0202SQ	1/8"-28	1/8"-28	18.00	17.50	3.50	3.50
DABPM9081-0404SQ	1/4"-19	1/4"-19	23.50	22.50	4.70	4.70
DABPM9081-0606SQ	3/8"-19	3/8"-19	26.50	26.00	7.90	7.50
DABPM9081-0808SQ	1/2"-14	1/2"-14	29.00	30.50	11.10	11.10
DABPM9081-1212SQ	3/4"-14	3/4"-14	34.00	35.00	16.70	16.70
DABPM9081-1616SQ	1"-11	1"-11	42.00	42.00	22.20	22.20
DABPM9081-2020SQ	1-1/4"-11	1-1/4"-11	50.00	48.00	28.60	26.00
DABPM9081-2424SQ	1-1/2"-11	1-1/2"-11	50.50	54.50	33.30	33.30



## DABTM9081

90° Elbow Connector BSPT Male 60° - BSPP Swivel Female 60°

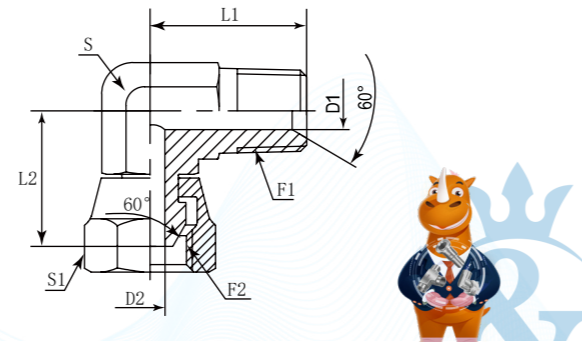
<b>D</b>	<b>A</b>	<b>BT</b>	<b>M</b>	<b>9</b>	<b>081</b>
Company	Product Range	Thread Types	Connection Type	Adaptor Structure	Connection Type
<b>DME</b>	Adaptor	BSPT	Male	90° Elbow	BSPP Swivel Female

German Technology Equipment

**SHIELD FLEX**

New-Standard

- DME&JDE Code: **DABTM9081**
- Product Type: **Hydraulic adaptor**
- Standard: **BSP**
- Structure: **90° Elbow**
- Connection Type: **Male x Swivel Female**
- Thread Types: **BSPT 60° x BSPP 60°**



PART NUMBER	F1 (Thread)	F2 (Thread)	D1	D2	L1	L2	S	S1
#	BSPT	BSPP	mm	mm	mm	mm	mm	mm
DABTM9081-0202	1/8"-28	1/8"-28	4.50	3.50	20.00	18.80	11.00	14.00
DABTM9081-0404	1/4"-19	1/4"-19	6.00	4.70	25.00	21.60	14.00	19.00
DABTM9081-0406	1/4"-19	3/8"-19	6.00	7.90	28.00	25.60	19.00	22.00
DABTM9081-0604	3/8"-19	1/4"-19	9.00	4.70	28.50	23.80	19.00	19.00
DABTM9081-0606	3/8"-19	3/8"-19	9.00	7.90	28.50	25.60	19.00	22.00
DABTM9081-0608	3/8"-19	1/2"-14	9.00	11.10	30.50	30.00	19.00	27.00
DABTM9081-0806	1/2"-14	3/8"-19	12.00	7.90	36.00	28.20	22.00	22.00
DABTM9081-0808	1/2"-14	1/2"-14	12.00	11.10	36.00	30.00	22.00	27.00
DABTM9081-0812	1/2"-14	3/4"-14	12.00	16.70	40.00	35.30	27.00	32.00
DABTM9081-1208	3/4"-14	1/2"-14	16.70	11.10	40.40	33.50	27.00	27.00
DABTM9081-1212	3/4"-14	3/4"-14	16.70	16.70	40.40	35.30	27.00	32.00
DABTM9081-1216	3/4"-14	1"-11	16.70	22.20	49.00	45.50	33.00	41.00
DABTM9081-1612	1"-11	3/4"-14	22.20	16.70	50.00	44.50	33.00	32.00
DABTM9081-1616	1"-11	1"-11	22.20	22.20	50.00	45.50	33.00	41.00
DABTM9081-2020	1-1/4"-11	1-1/4"-11	28.60	28.60	58.00	52.50	41.00	50.00
DABTM9081-2424	1-1/2"-11	1-1/2"-11	33.30	33.30	62.50	53.30	48.00	55.00
DABTM9081-3232	2"-11	2"-11	46.00	44.00	75.00	60.00	65.00	70.00

Certificate:



## DABPF907M

90° Elbow Connector BSPP Fixed Female - BSPT Male

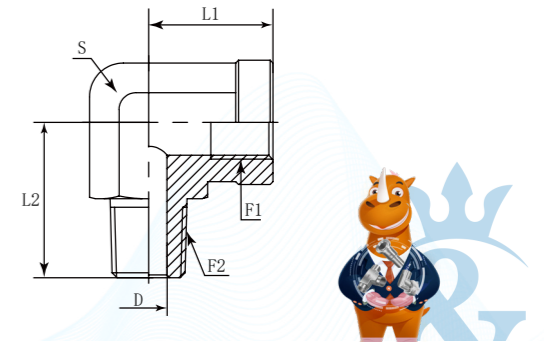
<b>D</b>	<b>A</b>	<b>BP</b>	<b>F</b>	<b>9</b>	<b>07</b>	<b>M</b>
Company	Product Range	Thread Types	Connection Type	Adaptor Structure	Thread Types	Connection Type
<b>DME</b>	Adaptor	BSPP	Female	90° Elbow	BSPT	Male

German Technology Equipment

**SHIELD FLEX**

New-Standard

- DME&JDE Code: **DABPF907M**
- Product Type: **Hydraulic adaptor**
- Standard: **BSP**
- Structure: **90° Elbow**
- Connection Type: **Fixed Female x Male**
- Thread Types: **BSPP x BSPT**



PART NUMBER	F1 (Thread)	F2 (Thread)	D	L1	L2	S
#	BSPP	BSPT	mm	mm	mm	mm
DABPF907M-0202	1/8"-28	1/8"-28	4.5	17	20	14
DABPF907M-0404	1/4"-19	1/4"-19	6.5	22	27.5	19
DABPF907M-0606	3/8"-19	3/8"-19	10	26	31	22
DABPF907M-0808	1/2"-14	1/2"-14	13	32	37.5	27
DABPF907M-1212	3/4"-14	3/4"-14	18	36	43	33
DABPF907M-1616	1"-11	1"-11	22.2	42	50	41
DABPF907M-2020	1-1/4"-11	1-1/4"-11	28.6	43	60	48
DABPF907M-2424	1-1/2"-11	1-1/2"-11	33.3	53	67	65
DABPF907M-3232	2"-11	2"-11	46	60	76	72

Certificate:





## DABPF906Q

90° Adjustable Elbow BSPP Fixed Female - BSPP Male + O Ring + Retaining Ring

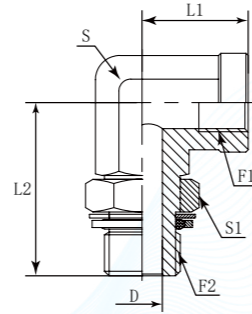
<b>D</b>	<b>A</b>	<b>BP</b>	<b>F</b>	<b>9</b>	<b>06</b>	<b>Q</b>
Company	Product Range	Thread Types	Connection Type	Adaptor Structure	Thread Types	Connection Type
<b>DME</b>	Adaptor	BSPP	Female	90° Elbow	BSPP	Male + O Ring + Retaining Ring

German Technology Equipment

**SHIELD FLEX**

New-Standard

- DME&JDE Code: **DABPF906Q**
- Product Type: **Hydraulic adaptor**
- Standard: **BSP**
- Structure: **90° Elbow**
- Connection Type: **Adjustable Male × Fixed Female**
- Thread Types: **BSPP × BSPP + O Ring + Retaining Ring**
- Sealing Method: **O Ring + Retaining Ring**



PART NUMBER	F1 (Thread)	F2 (Thread)	D	L1	L2	S	S1
#	BSPP	BSPP	mm	mm	mm	mm	mm
DABPF906Q-0404	1/4"-19	1/4"-19	7.5	22	33.5	19	19
DABPF906Q-0606	3/8"-19	3/8"-19	9.9	26	39.5	22	22
DABPF906Q-0808	1/2"-14	1/2"-14	12.3	32	45.5	27	27
DABPF906Q-1212	3/4"-14	3/4"-14	15.5	36	52	33	36
DABPF906Q-1616	1"-11	1"-11	21.5	42	57	41	41
DABPF906Q-2020	1-1/4"-11	1-1/4"-11	27.5	43	61	48	50

## DABP19065

90° Adjustable Elbow BSPP Swivel Female 60° - BSPP Male + O Ring

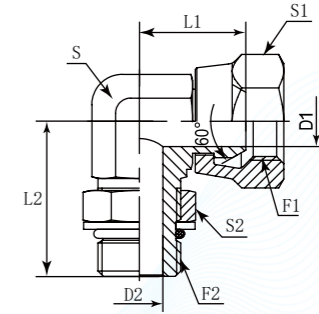
<b>D</b>	<b>A</b>	<b>BP</b>	<b>1</b>	<b>9</b>	<b>06</b>	<b>5</b>
Company	Product Range	Thread Types	Connection Type	Adaptor Structure	Thread Types	Connection Type
<b>DME</b>	Adaptor	BSPP	Swivel Female	90° Elbow	BSPP	Male + O Ring

German Technology Equipment

**SHIELD FLEX**

New-Standard

- DME&JDE Code: **DABP19065**
- Product Type: **Hydraulic adaptor**
- Standard: **BSP**
- Structure: **90° Elbow**
- Connection Type: **Adjustable Male × Swivel Female**
- Thread Types: **BSPP 60° × BSPP + O Ring**
- Sealing Method: **O Ring**



PART NUMBER	F1 (Thread)	F2 (Thread)	L1	L2	D1	D2	S	S1	S1
#	BSPP	BSPP	mm	mm	mm	mm	mm	mm	mm
DABP19065-0202	1/8"-28	1/8"-28	22.00	26.00	3.50	4.40	11.00	14.00	14.00
DABP19065-0204	1/8"-28	1/4"-19	22.00	31.50	3.50	7.50	14.00	14.00	19.00
DABP19065-0404	1/4"-19	1/4"-19	24.00	31.50	4.70	7.50	14.00	19.00	19.00
DABP19065-0406	1/4"-19	3/8"-19	26.00	36.50	4.70	9.90	19.00	19.00	22.00
DABP19065-0604	3/8"-19	1/4"-19	28.00	34.50	7.90	7.50	19.00	22.00	19.00
DABP19065-0606	3/8"-19	3/8"-19	28.00	37.00	7.90	9.90	19.00	22.00	22.00
DABP19065-0608	3/8"-19	1/2"-14	28.50	43.00	7.90	12.30	22.00	22.00	27.00
DABP19065-0806	1/2"-14	3/8"-19	28.50	39.50	11.10	9.90	22.00	27.00	22.00
DABP19065-0808	1/2"-14	1/2"-14	28.50	43.00	11.10	12.30	22.00	27.00	27.00
DABP19065-1212	3/4"-14	3/4"-14	37.90	50.00	16.70	15.50	27.00	32.00	36.00
DABP19065-1616	1"-11	1"-11	42.00	53.00	22.20	21.50	33.00	41.00	41.00
DABP19065-2020	1-1/4"-11	1-1/4"-11	52.00	58.00	27.50	27.50	41.00	50.00	50.00



## DABP1906Q

90° Adjustable Elbow BSPP Swivel Female 60° - BSPP Male + O Ring + Retaining Ring

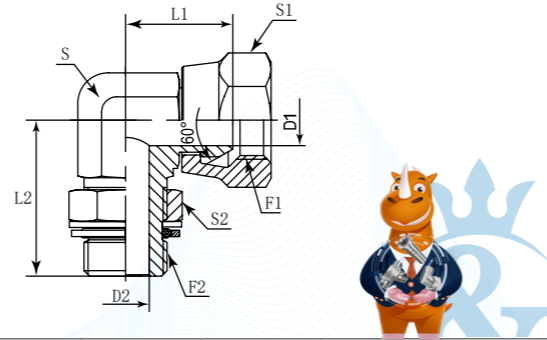
<b>D</b>	<b>A</b>	<b>BP</b>	<b>1</b>	<b>9</b>	<b>06</b>	<b>0</b>
Company	Product Range	Thread Types	Connection Type	Adaptor Structure	Thread Types	Connection Type
<b>DME</b>	Adaptor	BSPP	Swivel Female	90° Elbow	BSPP	Male + O Ring + Retaining Ring

German Technology Equipment

**SHIELD FLEX**

New-Standard

- DME&JDE Code: **DABP1906Q**
- Product Type: **Hydraulic adaptor**
- Standard: **BSP**
- Structure: **90° Elbow**
- Connection Type: **Adjustable Male × Swivel Female**
- Thread Types: **BSPP 60° × BSPP**
- Sealing Method: **O Ring + Retaining Ring**



PART NUMBER	F1 (Thread)	F2 (Thread)	L1	L2	D1	D2	S	S1	S2
#	BSPP	BSPP	mm	mm	mm	mm	mm	mm	mm
DABP1906Q-0202	1/8"-28	1/8"-28	22.00	26.00	3.50	4.40	11.00	14.00	14.00
DABP1906Q-0204	1/8"-28	1/4"-19	22.00	31.50	3.50	7.50	14.00	14.00	19.00
DABP1906Q-0404	1/4"-19	1/4"-19	24.00	31.50	4.70	7.50	14.00	19.00	19.00
DABP1906Q-0406	1/4"-19	3/8"-19	26.00	36.50	4.70	9.90	19.00	19.00	22.00
DABP1906Q-0604	3/8"-19	1/4"-19	28.00	34.50	7.90	7.50	19.00	22.00	19.00
DABP1906Q-0606	3/8"-19	3/8"-19	28.00	37.00	7.90	9.90	19.00	22.00	22.00
DABP1906Q-0608	3/8"-19	1/2"-14	28.50	43.00	7.90	12.30	22.00	22.00	27.00
DABP1906Q-0806	1/2"-14	3/8"-19	28.50	39.50	11.10	9.90	22.00	27.00	22.00
DABP1906Q-0808	1/2"-14	1/2"-14	28.50	43.00	11.10	12.30	22.00	27.00	27.00
DABP1906Q-1212	3/4"-14	3/4"-14	37.90	50.00	16.70	15.50	27.00	32.00	36.00
DABP1906Q-1616	1"-11	1"-11	42.00	53.00	22.20	21.50	33.00	41.00	41.00
DABP1906Q-2020	1-1/4"-11	1-1/4"-11	52.00	58.00	27.50	27.50	41.00	50.00	50.00

## DABP1952Q

90° Adjustable Elbow BSPP Swivel Female 60° - Metric Male + O Ring + Retaining Ring

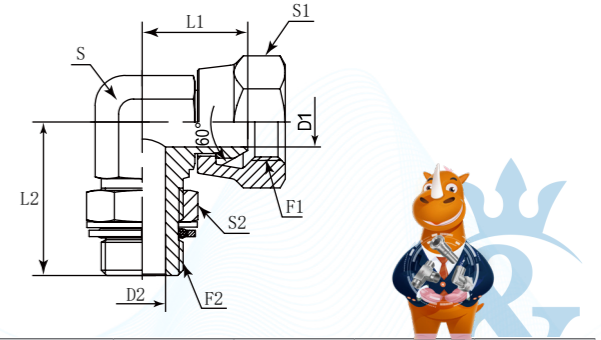
<b>D</b>	<b>A</b>	<b>BP</b>	<b>1</b>	<b>9</b>	<b>52</b>	<b>0</b>
Company	Product Range	Thread Types	Connection Type	Adaptor Structure	Thread Types	Connection Type
<b>DME</b>	Adaptor	BSPP	Swivel Female	90° Elbow	Metric	Male+ O Ring + Retaining Ring

German Technology Equipment

**SHIELD FLEX**

New-Standard

- DME&JDE Code: **DABP1952Q**
- Product Type: **Hydraulic adaptor**
- Standard: **BSP**
- Structure: **90° Elbow**
- Connection Type: **Adjustable Male × Swivel Female**
- Thread Types: **BSPP 60° × Metric**
- Sealing Method: **O Ring + Retaining Ring**



PART NUMBER	F1 (Thread)	F2 (Thread)	L1	L2	D1	D2	S	S1	S2
#	BSPP	Metric	mm	mm	mm	mm	mm	mm	mm
DABP1952Q-0210	1/8"-28	M10X1	20.50	27.00	3.50	4.50	11.00	14.00	14.00
DABP1952Q-0212	1/8"-28	M12X1.5	22.50	31.50	3.50	6.00	14.00	14.00	17.00
DABP1952Q-0412	1/4"-19	M12X1.5	24.00	31.50	4.50	6.00	14.00	19.00	17.00
DABP1952Q-0414	1/4"-19	M14X1.5	24.00	31.50	4.50	7.50	14.00	19.00	19.00
DABP1952Q-0416	1/4"-19	M16X1.5	26.00	37.00	4.50	9.00	19.00	19.00	22.00
DABP1952Q-0614	3/8"-19	M14X1.5	26.00	34.00	7.90	7.50	19.00	22.00	19.00
DABP1952Q-0616	3/8"-19	M16X1.5	26.00	37.00	7.90	9.00	19.00	22.00	22.00
DABP1952Q-0618	3/8"-19	M18X1.5	26.00	38.00	7.90	11.00	19.00	22.00	24.00
DABP1952Q-0818	1/2"-14	M18X1.5	28.50	41.00	11.10	11.00	19.00	27.00	24.00
DABP1952Q-0820	1/2"-14	M20X1.5	28.50	43.00	11.10	12.50	22.00	27.00	27.00
DABP1952Q-0822	1/2"-14	M22X1.5	28.50	43.00	11.10	14.00	22.00	27.00	27.00
DABP1952Q-1022	5/8"-14	M22X1.5	28.50	45.00	12.00	14.00	22.00	30.00	27.00
DABP1952Q-1222	3/4"-14	M22X1.5	37.00	46.00	16.70	14.00	27.00	32.00	27.00
DABP1952Q-1226	3/4"-14	M26X1.5	37.00	50.00	16.70	17.00	27.00	32.00	32.00
DABP1952Q-1227	3/4"-14	M27X2	37.00	50.00	16.70	18.00	27.00	32.00	32.00
DABP1952Q-1627	1"-11	M27X2	42.00	52.00	22.20	18.00	33.00	41.00	32.00
DABP1952Q-1633	1"-11	M33X2	42.00	53.00	22.20	23.00	33.00	41.00	41.00
DABP1952Q-2042	1-1/4"-11	M42X2	50.00	58.00	28.60	30.00	41.00	50.00	50.00
DABP1952Q-2448	1-1/2"-11	M48X2	53.50	67.00	33.30	36.00	48.00	55.00	55.00



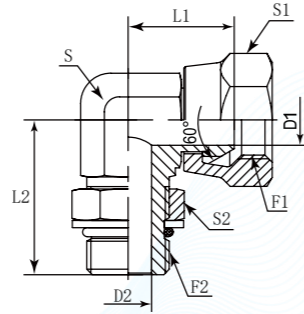
## DABP19525

90° Adjustable Elbow BSPP Swivel Female 60° - Metric Male + O Ring

<b>D</b>	<b>A</b>	<b>BP</b>	<b>1</b>	<b>9</b>	<b>52</b>	<b>5</b>
Company	Product Range	Thread Types	Connection Type	Adaptor Structure	Thread Types	Connection Type
<b>DME</b>	Adaptor	BSPP	Swivel Female	90° Elbow	Metric	Male + O Ring



- DME&JDE Code: **DABP19525**
- Product Type: **Hydraulic adaptor**
- Standard: **BSP**
- Structure: **90° Elbow**
- Connection Type: **Adjustable Male x Swivel Female**
- Thread Types: **BSPP 60° x Metric + O Ring**
- Sealing Method: **O Ring**



PART NUMBER	F1 (Thread)	F2 (Thread)	L1	L2	D1	D2	S	S1	S2
#	BSPP	Metric	mm	mm	mm	mm	mm	mm	mm
DABP19525-0210	1/8"-28	M10X1	20.50	27.00	3.50	4.50	11.00	14.00	14.00
DABP19525-0212	1/8"-28	M12X1.5	22.50	31.50	3.50	6.00	14.00	14.00	17.00
DABP19525-0412	1/4"-19	M12X1.5	24.00	31.50	4.50	6.00	14.00	19.00	17.00
DABP19525-0414	1/4"-19	M14X1.5	24.00	31.50	4.50	7.50	14.00	19.00	19.00
DABP19525-0416	1/4"-19	M16X1.5	26.00	37.00	4.50	9.00	19.00	19.00	22.00
DABP19525-0614	3/8"-19	M14X1.5	26.00	34.00	7.90	7.50	19.00	22.00	19.00
DABP19525-0616	3/8"-19	M16X1.5	26.00	37.00	7.90	9.00	19.00	22.00	22.00
DABP19525-0618	3/8"-19	M18X1.5	26.00	38.00	7.90	11.00	19.00	22.00	24.00
DABP19525-0818	1/2"-14	M18X1.5	28.50	41.00	11.10	11.00	19.00	27.00	24.00
DABP19525-0820	1/2"-14	M20X1.5	28.50	43.00	11.10	12.50	22.00	27.00	27.00
DABP19525-0822	1/2"-14	M22X1.5	28.50	43.00	11.10	14.00	22.00	27.00	27.00
DABP19525-1022	5/8"-14	M22X1.5	28.50	45.00	12.00	14.00	22.00	30.00	27.00
DABP19525-1222	3/4"-14	M22X1.5	37.00	46.00	16.70	14.00	27.00	32.00	27.00
DABP19525-1226	3/4"-14	M26X1.5	37.00	50.00	16.70	17.00	27.00	32.00	32.00
DABP19525-1227	3/4"-14	M27X2	37.00	50.00	16.70	18.00	27.00	32.00	32.00
DABP19525-1627	1"-11	M27X2	42.00	52.00	22.20	18.00	33.00	41.00	32.00
DABP19525-1633	1"-11	M33X2	42.00	53.00	22.20	23.00	33.00	41.00	41.00
DABP19525-2042	1-1/4"-11	M42X2	50.00	58.00	28.60	30.00	41.00	50.00	50.00
DABP19525-2448	1-1/2"-11	M48X2	53.50	67.00	33.30	36.00	48.00	55.00	55.00



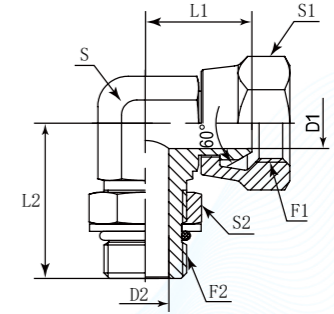
## DABP19305

90° Adjustable Elbow BSPP Swivel Female 60° - SAE Male + O Ring

<b>D</b>	<b>A</b>	<b>BP</b>	<b>1</b>	<b>9</b>	<b>30</b>	<b>5</b>
Company	Product Range	Thread Types	Connection Type	Adaptor Structure	Thread Types	Connection Type
<b>DME</b>	Adaptor	BSPP	Swivel Female	90° Elbow	SAE UNF	Male + O Ring



- DME&JDE Code: **DABP19305**
- Product Type: **Hydraulic adaptor**
- Standard: **BSP**
- Structure: **90° Elbow**
- Connection Type: **Adjustable Male x Swivel Female**
- Thread Types: **BSPP 60° x SAE UNF + O Ring**
- Sealing Method: **O Ring**



PART NUMBER	F1 (Thread)	F2 (Thread)	L1	L2	D1	D2	S	S1	S2
#	BSPP	UNF	mm	mm	mm	mm	mm	mm	mm
DABP19305-0404	1/4"-19	7/16"-20	21.60	27.20	4.70	4.37	11.00	19.00	17.00
DABP19305-0406	1/4"-19	9/16"-18	21.60	31.80	4.70	7.54	14.00	19.00	19.00
DABP19305-0606	3/8"-19	9/16"-18	25.60	33.30	7.90	7.54	19.00	22.00	19.00
DABP19305-0608	3/8"-19	3/4"-16	25.60	36.80	7.90	9.93	19.00	22.00	22.00
DABP19305-0806	1/2"-14	9/16"-18	29.80	33.50	11.10	7.54	22.00	27.00	19.00
DABP19305-0808	1/2"-14	3/4"-16	29.80	36.80	11.10	9.93	22.00	27.00	22.00
DABP19305-0810	1/2"-14	7/8"-14	31.20	44.00	11.10	12.29	22.00	27.00	27.00
DABP19305-0812	1/2"-14	1 1/16"-12	29.80	51.00	11.10	15.47	27.00	27.00	32.00
DABP19305-1008	5/8"-14	3/4"-16	31.20	39.50	12.00	9.93	22.00	30.00	22.00
DABP19305-1208	3/4"-14	3/4"-16	35.30	40.50	16.70	9.93	27.00	32.00	22.00
DABP19305-1212	3/4"-14	1 1/16"-12	35.30	51.00	16.70	15.47	27.00	32.00	27.00
DABP19305-1612	1"-11	1 1/16"-12	35.30	54.50	22.20	15.47	33.00	41.00	32.00
DABP19305-1616	1"-11	1 5/16"-12	45.50	54.50	22.20	21.44	33.00	41.00	41.00
DABP19305-2020	1 1/4"-11	1 5/8"-12	50.00	59.50	28.60	27.38	41.00	50.00	50.00
DABP19305-2424	1 1/2"-11	1 7/8"-12	53.50	63.00	33.30	33.32	48.00	55.00	55.00



## DABPF905F

90° Elbow Connector BSPP Fixed Female - BSPP Fixed Female

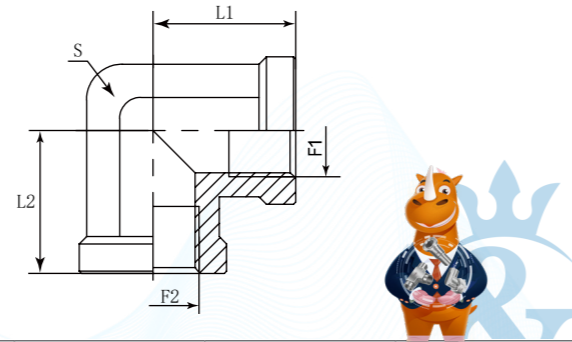
<b>D</b>	<b>A</b>	<b>BP</b>	<b>F</b>	<b>9</b>	<b>05</b>	<b>F</b>
Company	Product Range	Thread Types	Connection Type	Adaptor Structure	Thread Types	Connection Type
<b>DME</b>	Adaptor	BSPP	Female	90° Elbow	BSPP	Female

German Technology Equipment

**SHIELD FLEX**

New-Standard

- DME&JDE Code: **DABPF905F**
- Product Type: **Hydraulic adaptor**
- Standard: **BSP**
- Structure: **90° Elbow**
- Connection Type: **Fixed Female × Fixed Female**
- Thread Types: **BSPP × BSPP**



PART NUMBER	F1 (Thread)	F2 (Thread)	L1	L2	S
#	BSPP	BSPP	mm	mm	mm
DABPF905F-0202	1/8"-28	1/8"-28	20.00	20.00	14.00
DABPF905F-0404	1/4"-19	1/4"-19	22.00	22.00	19.00
DABPF905F-0606	3/8"-19	3/8"-19	26.00	26.00	22.00
DABPF905F-0808	1/2"-14	1/2"-14	32.00	32.00	27.00
DABPF905F-1212	3/4"-14	3/4"-14	36.00	36.00	33.00
DABPF905F-1616	1"-11	1"-11	42.00	42.00	41.00
DABPF905F-2020	1-1/4"	1-1/4"	43.00	43.00	48.00
DABPF905F-2424	1-1/2"	1-1/2"	53.00	53.00	65.00
DABPF905F-3232	2"-11	2"-11	60.00	60.00	72.00

## DABP19081

90° Elbow BSPP Swivel Female 60° - BSPP Swivel Female 60°

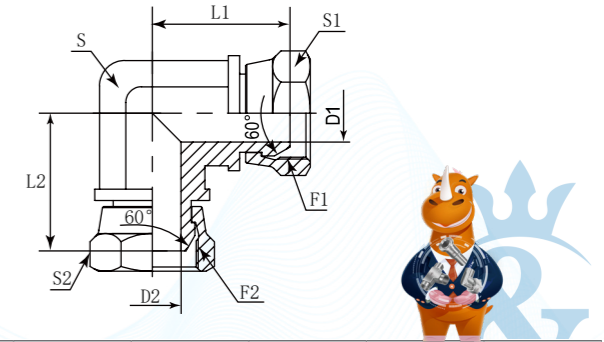
<b>D</b>	<b>A</b>	<b>BP</b>	<b>1</b>	<b>9</b>	<b>081</b>
Company	Product Range	Thread Types	Connection Type	Adaptor Structure	Connection Type
<b>DME</b>	Adaptor	BSPP	Swivel Female	90° Elbow	BSPP Swivel Female

German Technology Equipment

**SHIELD FLEX**

New-Standard

- DME&JDE Code: **DABP19081**
- Product Type: **Hydraulic adaptor**
- Standard: **BSP**
- Structure: **90° Elbow**
- Connection Type: **Swivel Female × Swivel Female**
- Thread Types: **BSPP 60° × BSPP 60°**



PART NUMBER	F1 (Thread)	F2 (Thread)	L1	L2	D1	D2	S	S1	S2
#	BSPP	BSPP	mm	mm	mm	mm	mm	mm	mm
DABP19081-0202	1/8"-28	1/8"-28	22.50	22.50	3.50	3.50	11.00	14.00	14.00
DABP19081-0404	1/4"-19	1/4"-19	24.50	24.50	4.70	4.70	14.00	19.00	19.00
DABP19081-0606	3/8"-19	3/8"-19	27.20	27.20	7.90	7.90	19.00	22.00	22.00
DABP19081-0808	1/2"-14	1/2"-14	31.50	31.50	11.10	11.10	22.00	27.00	27.00
DABP19081-1212	3/4"-14	3/4"-14	37.90	37.90	16.70	16.70	27.00	32.00	32.00
DABP19081-1616	1"-11	1"-11	46.00	46.00	22.20	22.20	33.00	41.00	41.00
DABP19081-2020	1-1/4"-11	1-1/4"-11	50.00	50.00	26.00	26.00	41.00	50.00	50.00
DABP19081-2424	1-1/2"-11	1-1/2"-11	55.00	55.00	33.30	33.30	48.00	55.00	55.00
DABP19081-3232	2"-11	2"-11	65.00	65.00	45.00	45.00	65.00	70.00	70.00





## DABP19081-B

90° Swept Elbow BSPP Swivel Female 60° - BSPP Swivel Female 60°

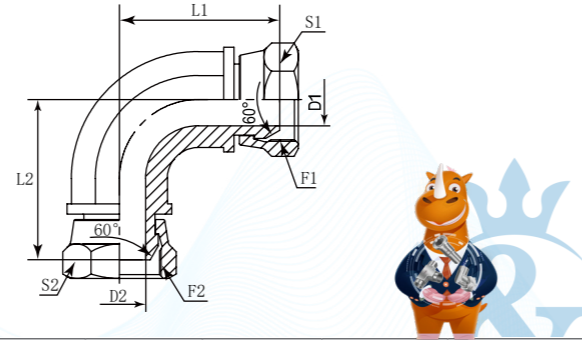
<b>D</b>	<b>A</b>	<b>BP</b>	<b>1</b>	<b>9</b>	<b>081</b>	<b>B</b>
Company	Product Range	Thread Types	Connection Type	Adaptor Structure	Connection Type	Elbow Type
<b>DME</b>	Adaptor	BSPP	Swivel Female	90° Elbow	BSPP Swivel Female	Swept Elbow

German Technology Equipment

**SHIELD FLEX**

New-Standard

- DME&JDE Code: **DABP19081-B**
- Product Type: **Hydraulic adaptor**
- Standard: **BSP**
- Structure: **90° Elbow**
- Connection Type: **Swivel Female x Swivel Female**
- Thread Types: **BSPP 60° x BSPP 60°**



PART NUMBER	F1 (Thread)	F2 (Thread)	L1	L2	D1	D2	S1	S2
#	BSPP	BSPP	mm	mm	mm	mm	mm	mm
DABP19081-0404B	1/4"-19	1/4"-19	30.00	30.00	4.00	4.00	19.00	19.00
DABP19081-0606B	3/8"-19	3/8"-19	36.50	36.50	7.00	7.00	22.00	22.00
DABP19081-0808B	1/2"-14	1/2"-14	45.00	45.00	10.00	10.00	27.00	27.00
DABP19081-1010B	5/8"-14	5/8"-14	53.00	53.00	12.00	12.00	30.00	30.00
DABP19081-1212B	3/4"-14	3/4"-14	58.00	58.00	15.00	15.00	32.00	32.00
DABP19081-1616B	1"-11	1"-11	73.00	73.00	19.00	19.00	41.00	41.00
DABP19081-2020B	1-1/4"-11	1-1/4"-11	92.00	92.00	26.00	26.00	50.00	50.00

Certificate:



## DABTF907F

90° Elbow BSPT Fixed Female - BSPT Fixed Female

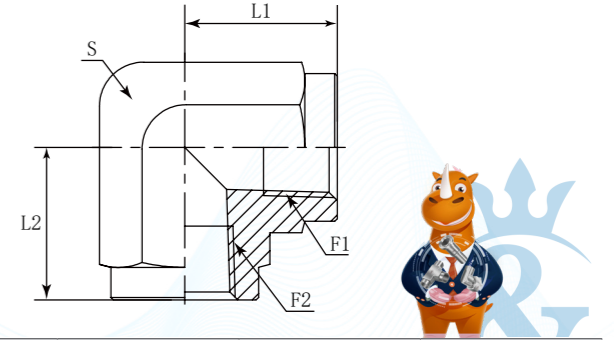
<b>D</b>	<b>A</b>	<b>BT</b>	<b>F</b>	<b>9</b>	<b>07</b>	<b>F</b>
Company	Product Range	Thread Types	Connection Type	Adaptor Structure	Thread Types	Connection Type
<b>DME</b>	Adaptor	BSPP	Female	90° Elbow	BSPT	Female

German Technology Equipment

**SHIELD FLEX**

New-Standard

- DME&JDE Code: **DABTF907F**
- Product Type: **Hydraulic adaptor**
- Standard: **BSP**
- Structure: **90° Elbow**
- Connection Type: **Fixed Female x Fixed Female**
- Thread Types: **BSPT x BSPT**



PART NUMBER	F1 (Thread)	F2 (Thread)	L1	L2	S
#	BSPT	BSPT	mm	mm	mm
DABTF907F-0202	1/8"-28	1/8"-28	16.80	16.80	14.28
DABTF907F-0404	1/4"-19	1/4"-19	22.50	22.50	19.00
DABTF907F-0606	3/8"-19	3/8"-19	26.00	26.00	22.00
DABTF907F-0808	1/2"-14	1/2"-14	31.00	31.00	27.00
DABTF907F-1212	3/4"-14	3/4"-14	34.50	34.50	33.00
DABTF907F-1616	1"-11	1"-11	41.20	41.20	41.00
DABTF907F-2020	1-1/4"-11	1-1/4"-11	43.20	43.20	48.00
DABTF907F-2424	1-1/2"-11	1-1/2"-11	53.00	53.00	65.00
DABTF907F-3232	2"-11	2"-11	62.00	62.00	71.00

Certificate:



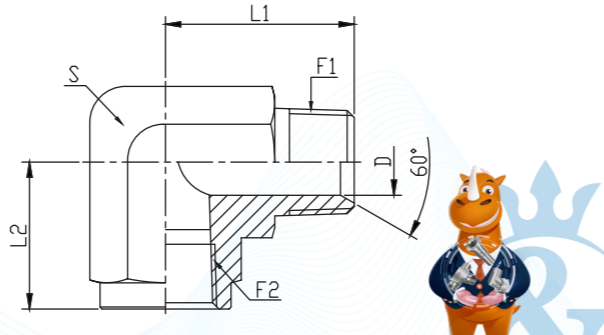
## DABTM907F

90° Elbow BSPT Male 60° - BSPT Fixed Female

<b>D</b>	<b>A</b>	<b>BT</b>	<b>M</b>	<b>9</b>	<b>07</b>	<b>F</b>
Company	Product Range	Thread Types	Connection Type	Adaptor Structure	Thread Types	Connection Type
<b>DME</b>	Adaptor	BSPP	Male	90° Elbow	BSPT	Male



- DME&JDE Code: **DABTM907F**
- Product Type: **Hydraulic adaptor**
- Standard: **BSP**
- Structure: **90° Elbow**
- Connection Type: **Male x Fixed Female**
- Thread Types: **BSPT 60° x BSPT**



PART NUMBER	F1 (Thread)	F2 (Thread)	C	D	L	S
#	BSPT	BSPT	mm	mm	mm	mm
DABTM907F-0202	1/8"-28	1/8"-28	19.80	16.80	4.50	14.00
DABTM907F-0404	1/4"-19	1/4"-19	27.70	22.40	6.00	19.00
DABTM907F-0606	3/8"-19	3/8"-19	31.00	25.90	9.00	22.00
DABTM907F-0808	1/2"-14	1/2"-14	37.30	31.20	12.00	27.00
DABTM907F-1212	3/4"-14	3/4"-14	40.40	34.50	16.70	33.00
DABTM907F-1616	1"-11	1"-11	50.00	41.20	22.20	41.00
DABTM907F-2020	1 1/4"-11	1 1/4"-11	61.00	43.20	28.60	48.00
DABTM907F-2424	1 1/2"-11	1 1/2"-11	67.10	52.80	33.30	65.00
DABTM907F-3232	2"-11	2"-11	75.00	62.00	46.00	71.00

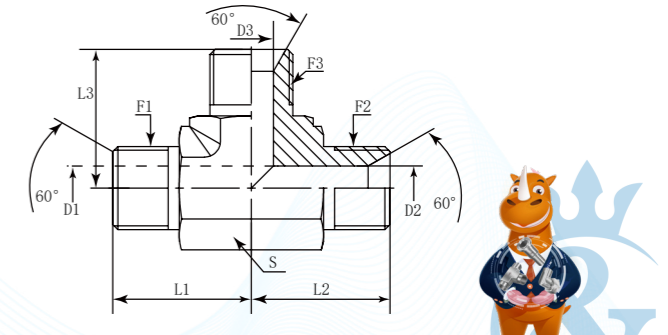
## DABPMT05M

Branch Tee Connector BSPP Male 60° - BSPP Male 60°

<b>D</b>	<b>A</b>	<b>BP</b>	<b>M</b>	<b>T</b>	<b>05</b>	<b>M</b>
Company	Product Range	Thread Types	Connection Type	Adaptor Structure	Thread Types	Connection Type
<b>DME</b>	Adaptor	BSPP	Male	Branch Tee	BSPP	Male



- DME&JDE Code: **DABPMT05M**
- Product Type: **Hydraulic adaptor**
- Standard: **BSP**
- Structure: **Branch Tee**
- Connection Type: **Male x Male x Male**
- Thread Types: **BSPP 60° x BSPP 60° x BSPP 60°**



PART NUMBER	F1 (Thread)	F2 (Thread)	F3 (Thread)	L1	L2	L3	D1	D2	D3	S
#	BSPP	BSPP	BSPP	mm	mm	mm	mm	mm	mm	mm
DABPMT05M-0202	1/8"-28	1/8"-28	1/8"-28	20.50	20.50	20.50	3.50	3.50	3.50	11
DABPMT05M-0404	1/4"-19	1/4"-19	1/4"-19	27.00	27.00	27.00	4.70	4.70	4.70	14
DABPMT05M-0606	3/8"-19	3/8"-19	3/8"-19	29.00	29.00	29.00	7.90	7.90	7.90	19
DABPMT05M-0808	1/2"-14	1/2"-14	1/2"-14	35.00	35.00	35.00	11.10	11.10	11.10	22
DABPMT05M-1010	5/8"-14	5/8"-14	5/8"-14	37.00	37.00	37.00	14.30	14.30	14.30	27
DABPMT05M-1212	3/4"-14	3/4"-14	3/4"-14	43.00	43.00	43.00	16.70	16.70	16.70	27
DABPMT05M-121208	3/4"-14	3/4"-14	1/2"-14	43.00	43.00	40.00	16.70	16.70	11.10	27
DABPMT05M-1616	1"-11	1"-11	1"-11	48.00	48.00	48.00	22.20	22.20	22.20	33
DABPMT05M-161208	1"-11	3/4"-14	1/2"-14	46.00	44.50	44.50	22.20	16.70	11.10	33
DABPMT05M-2020	1-1/4"-11	1-1/4"-11	1-1/4"-11	51.00	51.00	51.00	28.60	28.60	28.60	41
DABPMT05M-2424	1-1/2"-11	1-1/2"-11	1-1/2"-11	60.50	60.50	60.50	33.30	33.30	33.30	48
DABPMT05M-3232	2"-11	2"-11	2"-11	75.00	75.00	75.00	46.00	46.00	46.00	65

Web: <https://www.dmejde.com>  
E-mail: [info@dmejde.com](mailto:info@dmejde.com)



Web: <https://www.dmejde.com>  
E-mail: [info@dmejde.com](mailto:info@dmejde.com)





## DABPMT05M-SQ

Branch Tee Connector Square BSPP Male 60° - BSPP Male 60°

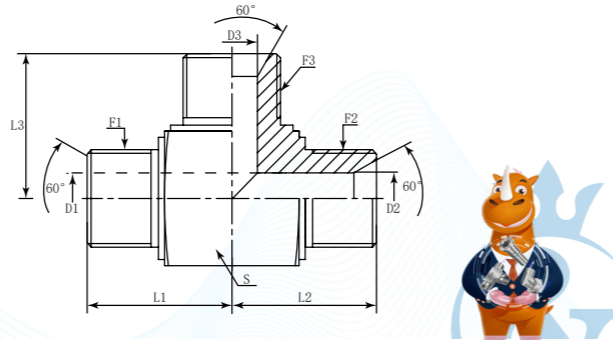
<b>D</b>	<b>A</b>	<b>BP</b>	<b>M</b>	<b>T</b>	<b>05</b>	<b>M</b>	<b>SQ</b>
Company	Product Range	Thread Types	Connection Type	Adaptor Structure	Thread Types	Connection Type	Body Type
<b>DME</b>	Adaptor	BSPP	Male	Branch Tee	BSPP	Male	Square

German Technology Equipment

**SHIELD FLEX**

New-Standard

- DME&JDE Code: **DABPMT05M-SQ**
- Product Type: **Hydraulic adaptor**
- Standard: **BSP**
- Structure: **Branch Tee**
- Connection Type: **Male x Male x Male**
- Thread Types: **BSPP 60° x BSPP 60° x BSPP 60°**



PART NUMBER	F1 (Thread)	F2 (Thread)	F3 (Thread)	L1	L2	L3	D1	D2	D3
#	BSPP	BSPP	BSPP	mm	mm	mm	mm	mm	mm
DABPMT05M-0202SQ	1/8"-28	1/8"-28	1/8"-28	18.00	18.00	18.00	3.50	3.50	3.50
DABPMT05M-0404SQ	1/4"-19	1/4"-19	1/4"-19	22.50	22.50	22.50	4.70	4.70	4.70
DABPMT05M-0606SQ	3/8"-19	3/8"-19	3/8"-19	25.00	25.00	25.00	7.90	7.90	7.90
DABPMT05M-0808SQ	1/2"-14	1/2"-14	1/2"-14	31.80	31.80	31.80	11.10	11.10	11.10
DABPMT05M-1212SQ	3/4"-14	3/4"-14	3/4"-14	34.00	34.00	34.00	16.70	16.70	16.70
DABPMT05M-1616SQ	1"-11	1"-11	1"-11	44.00	44.00	44.00	22.20	22.20	22.20

## DABPMT081

Branch Tee Connector BSPP Male 60° - BSPP Swivel Female 60°

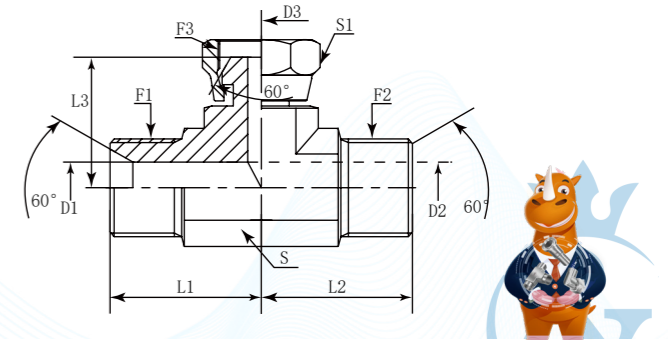
<b>D</b>	<b>A</b>	<b>BP</b>	<b>M</b>	<b>T</b>	<b>081</b>
Company	Product Range	Thread Types	Connection Type	Adaptor Structure	Connection Type
<b>DME</b>	Adaptor	BSPP	Male	Branch Tee	Swivel Female

German Technology Equipment

**SHIELD FLEX**

New-Standard

- DME&JDE Code: **DABPMT081**
- Product Type: **Hydraulic adaptor**
- Standard: **BSP**
- Structure: **Branch Tee**
- Connection Type: **Male x Male x Swivel Female**
- Thread Types: **BSPP 60° x BSPP 60° x BSPP 60°**



PART NUMBER	F1 (Thread)	F2 (Thread)	F3 (Thread)	L1	L2	L3	D1	D2	D3	S	S1
#	BSPP	BSPP	BSPP	mm	mm	mm	mm	mm	mm	mm	mm
DABPMT081-0202	1/8"-28	1/8"-28	1/8"-28	22.50	22.50	22.50	3.50	3.50	3.50	11	14
DABPMT081-0404	1/4"-19	1/4"-19	1/4"-19	27.00	27.00	23.81	4.70	4.70	4.70	14	19
DABPMT081-0606	3/8"-19	3/8"-19	3/8"-19	29.00	29.00	28.20	7.90	7.90	7.90	19	22
DABPMT081-0808	1/2"-14	1/2"-14	1/2"-14	35.00	35.00	33.60	11.10	11.10	11.10	22	27
DABPMT081-1010	5/8"-14	5/8"-14	5/8"-14	37.00	37.00	35.50	14.30	14.30	12.00	27	30
DABPMT081-1212	3/4"-14	3/4"-14	3/4"-14	43.00	43.00	37.90	16.70	16.70	16.70	27	32
DABPMT081-1616	1"-11	1"-11	1"-11	47.00	47.00	45.42	22.20	22.20	22.20	33	41
DABPMT081-2020	1-1/4"-11	1-1/4"-11	1-1/4"-11	50.00	50.00	50.00	28.60	28.60	28.60	41	50
DABPMT081-2424	1-1/2"-11	1-1/2"-11	1-1/2"-11	60.50	60.50	54.80	33.30	33.30	33.30	48	55
DABPMT081-3232	2"-11	2"-11	2"-11	75.00	75.00	60.00	46.00	46.00	46.00	65	70



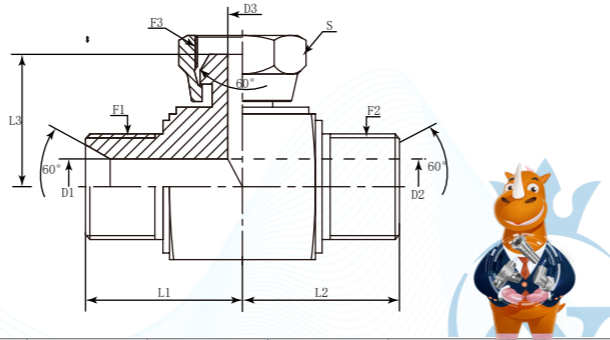
## DABPMT081-SQ

Branch Tee Connector Square BSPP Male 60° - BSPP Swivel Female 60°

<b>D</b>	<b>A</b>	<b>BP</b>	<b>M</b>	<b>T</b>	<b>081</b>	<b>SQ</b>
Company	Product Range	Thread Types	Connection Type	Adaptor Structure	Connection Type	Body Type
<b>DME</b>	Adaptor	BSPP	Male	Branch Tee	Swivel Female	Square



- DME&JDE Code: **DABPMT081-SQ**
- Product Type: **Hydraulic adaptor**
- Standard: **BSP**
- Structure: **Branch Tee**
- Connection Type: **Male x Male x Swivel Female**
- Thread Types: **BSPP 60° x BSPP 60° x BSPP 60°**



PART NUMBER	F1 (Thread)	F2 (Thread)	F3 (Thread)	L1	L2	L3	D1	D2	D3
#	BSPP	BSPP	BSPP	mm	mm	mm	mm	mm	mm
DABPMT081-0404SQ	1/4"-19	1/4"-19	1/4"-19	22.50	22.50	22.00	4.70	4.70	4.70
DABPMT081-0606SQ	3/8"-19	3/8"-19	3/8"-19	26.00	26.00	25.00	7.90	7.90	7.90
DABPMT081-0808SQ	1/2"-14	1/2"-14	1/2"-14	31.80	31.80	28.50	11.10	11.10	11.10
DABPMT081-1212SQ	3/4"-14	3/4"-14	3/4"-14	35.00	35.00	34.00	16.70	16.70	16.70
DABPMT081-1616SQ	1"-11	1"-11	1"-11	44.00	44.00	41.20	22.20	22.20	22.20
DABPMT081-2020SQ	1-1/4"-11	1-1/4"-11	1-1/4"-11	50.00	50.00	48.00	28.60	28.60	28.60

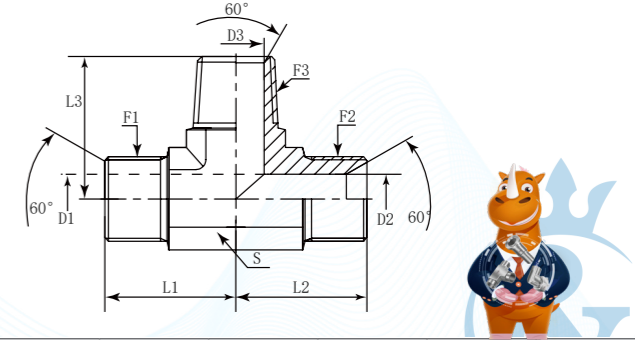
## DABPMT07M

Branch Tee Connector BSPP Male 60° - BSPT Male 60°

<b>D</b>	<b>A</b>	<b>BP</b>	<b>M</b>	<b>T</b>	<b>07</b>	<b>M</b>
Company	Product Range	Thread Types	Connection Type	Adaptor Structure	Thread Types	Connection Type
<b>DME</b>	Adaptor	BSPP	Male	Branch Tee	BSPT	Male



- DME&JDE Code: **DABPMT07M**
- Product Type: **Hydraulic adaptor**
- Standard: **BSP**
- Structure: **Branch Tee**
- Connection Type: **Male x Male x Male**
- Thread Types: **BSPP 60° x BSPP 60° x BSPT 60°**



PART NUMBER	F1 (Thread)	F2 (Thread)	F3 (Thread)	L1	L2	L3	D1	D2	D3	S
#	BSPP	BSPP	BSPT	mm	mm	mm	mm	mm	mm	mm
DABPMT07M-0202	1/8"-28	1/8"-28	1/8"-28	18.50	18.50	18.50	3.50	3.50	4.50	11
DABPMT07M-0402	1/4"-28	1/4"-28	1/8"-28	27.00	27.00	23.00	4.70	4.70	4.50	14
DABPMT07M-0404	1/4"-19	1/4"-19	1/4"-19	27.00	27.00	27.00	4.70	4.70	6.00	14
DABPMT07M-0606	3/8"-19	3/8"-19	3/8"-19	29.00	29.00	31.00	7.90	7.90	9.00	19
DABPMT07M-0806	1/2"-14	1/2"-14	3/8"-19	34.00	34.00	33.00	11.10	11.10	9.00	22
DABPMT07M-0808	1/2"-14	1/2"-14	1/2"-14	34.00	34.00	37.50	11.10	11.10	12.00	22
DABPMT07M-1008	5/8"-14	5/8"-14	1/2"-14	38.00	38.00	40.00	14.30	14.30	12.00	27
DABPMT07M-1212	3/4"-14	3/4"-14	3/4"-14	40.00	40.00	40.00	16.70	16.70	16.70	27
DABPMT07M-1616	1"-11	1"-11	1"-11	45.00	45.00	50.00	22.20	22.20	22.20	33
DABPMT07M-2020	1-1/4"-11	1-1/4"-11	1-1/4"-11	52.00	52.00	56.00	28.60	28.60	28.60	41
DABPMT07M-2424	1-1/2"-11	1-1/2"-11	1-1/2"-11	59.00	59.00	67.00	33.30	33.30	33.30	48
DABPMT07M-3232	2"-11	2"-11	2"-11	75.00	75.00	75.00	46.00	46.00	45.00	65





## DABPMT28M

Branch Tee Connector BSPP Male 60° - NPTF Male 60°

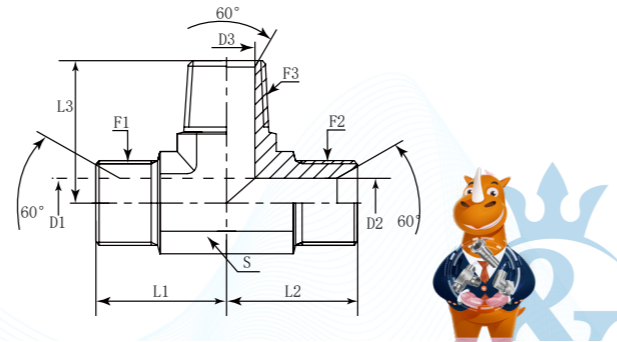
<b>D</b>	<b>A</b>	<b>BP</b>	<b>M</b>	<b>T</b>	<b>28</b>	<b>M</b>
Company	Product Range	Thread Types	Connection Type	Adaptor Structure	Thread Types	Connection Type
<b>DME</b>	Adaptor	BSPP	Male	Branch Tee	NPTF	Male

German Technology Equipment

**SHIELD FLEX**

New-Standard

- DME&JDE Code: **DABPMT28M**
- Product Type: **Hydraulic adaptor**
- Standard: **BSP**
- Structure: **Branch Tee**
- Connection Type: **Male x Male x Male**
- Thread Types: **BSPP 60° x BSPP 60° x NPTF 60°**



PART NUMBER	F1 (Thread)	F2 (Thread)	F3 (Thread)	L1	L2	L3	D1	D2	D3	S
#	BSPP	BSPP	NPTF	mm	mm	mm	mm	mm	mm	mm
DABPMT28M-0202	1/8"-28	1/8"-28	1/8"-27	18.50	18.50	18.50	3.50	3.50	4.78	11
DABPMT28M-0402	1/4"-28	1/4"-28	1/8"-27	27.00	27.00	23.00	4.70	4.70	4.78	14
DABPMT28M-0404	1/4"-19	1/4"-19	1/4"-18	27.00	27.00	27.70	4.70	4.70	7.14	14
DABPMT28M-0606	3/8"-19	3/8"-19	3/8"-18	29.00	29.00	31.00	7.90	7.90	10.31	19
DABPMT28M-0806	1/2"-14	1/2"-14	3/8"-18	34.00	34.00	33.00	11.10	11.10	10.31	22
DABPMT28M-0808	1/2"-14	1/2"-14	1/2"-14	34.00	34.00	37.50	11.10	11.10	13.49	22
DABPMT28M-1008	5/8"-14	5/8"-14	1/2"-14	38.00	38.00	40.00	14.30	14.30	13.49	27
DABPMT28M-1212	3/4"-14	3/4"-14	3/4"-14	40.00	40.00	40.40	16.70	16.70	18.26	27
DABPMT28M-1616	1"-11	1"-11	1"-11-1/2	45.00	45.00	50.00	22.20	22.20	23.83	33
DABPMT28M-2020	1-1/4"-11	1-1/4"-11	1-1/4"-11-1/2	52.00	52.00	60.50	28.60	28.60	31.75	41
DABPMT28M-2424	1-1/2"-11	1-1/2"-11	1-1/2"-11-1/2	59.00	59.00	67.10	33.30	33.30	38.10	48
DABPMT28M-3232	2"-11	2"-11	2"-11-1/2	75.00	75.00	76.20	46.00	46.00	49.23	65

## DABPML07M

Run Tee Connector BSPP Male 60° - BSPT Male 60°

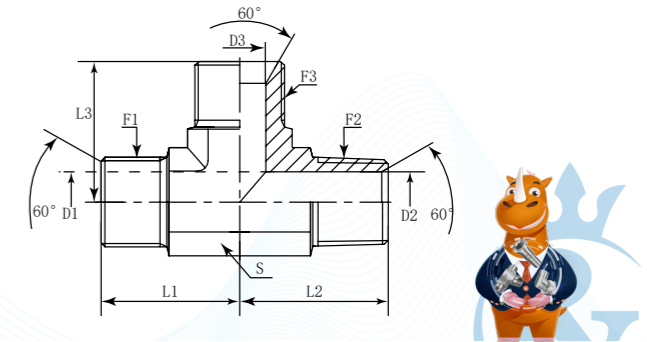
<b>D</b>	<b>A</b>	<b>BP</b>	<b>M</b>	<b>L</b>	<b>07</b>	<b>M</b>
Company	Product Range	Thread Types	Connection Type	Adaptor Structure	Thread Types	Connection Type
<b>DME</b>	Adaptor	BSPP	Male	Run Tee	BSPT	Male

German Technology Equipment

**SHIELD FLEX**

New-Standard

- DME&JDE Code: **DABPML07M**
- Product Type: **Hydraulic adaptor**
- Standard: **BSP**
- Structure: **Run Tee**
- Connection Type: **Male x Male x Male**
- Thread Types: **BSPP 60° x BSPT 60° x BSPP 60°**



PART NUMBER	F1 (Thread)	F2 (Thread)	F3 (Thread)	L1	L2	L3	D1	D2	D3	S
#	BSPP	BSPT	BSPP	mm	mm	mm	mm	mm	mm	mm
DABPML07M-0202	1/8"-28	1/8"-28	1/8"-28	18.50	18.50	18.50	3.50	4.50	3.50	11
DABPML07M-0402	1/4"-28	1/8"-28	1/4"-28	27.00	23.00	27.00	4.70	4.50	4.70	14
DABPML07M-0404	1/4"-19	1/4"-19	1/4"-19	27.00	27.00	27.00	4.70	6.00	4.70	14
DABPML07M-0606	3/8"-19	3/8"-19	3/8"-19	29.00	31.00	29.00	7.90	9.00	7.90	19
DABPML07M-0806	1/2"-14	3/8"-19	1/2"-14	34.00	33.00	34.00	11.10	9.00	11.10	22
DABPML07M-0808	1/2"-14	1/2"-14	1/2"-14	34.00	37.50	34.00	11.10	12.00	11.10	22
DABPML07M-1008	5/8"-14	1/2"-14	5/8"-14	38.00	40.00	38.00	14.30	12.00	14.30	27
DABPML07M-1212	3/4"-14	3/4"-14	3/4"-14	40.00	40.00	40.00	16.70	16.70	16.70	27
DABPML07M-1216	3/4"-14	1"-11	3/4"-14	41.00	40.50	41.00	16.50	16.50	16.50	33
DABPML07M-1612	1"-11	3/4"-14	1"-11	43.00	43.00	43.00	22.20	16.70	22.20	33
DABPML07M-1616	1"-11	1"-11	1"-11	45.00	50.00	45.00	22.20	22.20	22.20	33
DABPML07M-2020	1-1/4"-11	1-1/4"-11	1-1/4"-11	52.00	56.00	52.00	28.60	28.60	28.60	41
DABPML07M-2424	1-1/2"-11	1-1/2"-11	1-1/2"-11	59.00	67.00	59.00	33.30	33.30	33.30	48
DABPML07M-3232	2"-11	2"-11	2"-11	75.00	75.00	75.00	46.00	45.00	46.00	65

## DABPML28M

Run Tee Connector BSPP Male 60° - NPTF Male 60°

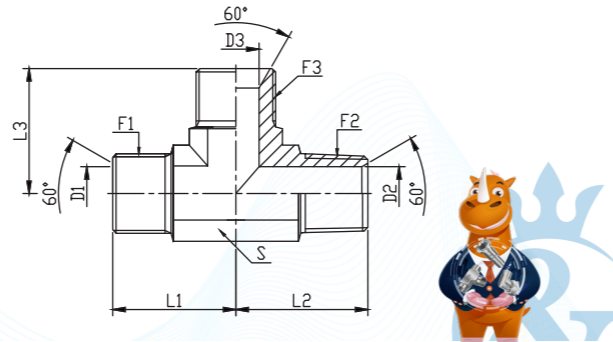
<b>D</b>	<b>A</b>	<b>BP</b>	<b>M</b>	<b>L</b>	<b>28</b>	<b>M</b>
Company	Product Range	Thread Types	Connection Type	Adaptor Structure	Thread Types	Connection Type
<b>DME</b>	Adaptor	BSPP	Male	Run Tee	NPTF	Male

German Technology Equipment

**SHIELD FLEX**

New-Standard

- DME&JDE Code: **DABPML28M**
- Product Type: **Hydraulic adaptor**
- Standard: **BSP**
- Structure: **Run Tee**
- Connection Type: **Male x Male x Male**
- Thread Types: **BSPP 60° x BSPP 60° x NPTF 60°**



PART NUMBER	F1 (Thread)	F2 (Thread)	F3 (Thread)	L1	L2	L3	D1	D2	D3	S
#	BSPP	NPTF	BSPP	mm	mm	mm	mm	mm	mm	mm
DABPML28M-0202	1/8"-28	1/8"-27	1/8"-28	18.50	18.50	18.50	3.50	4.78	3.50	11
DABPML28M-0402	1/4"-28	1/8"-27	1/4"-28	27.00	23.00	27.00	4.70	4.78	4.70	14
DABPML28M-0404	1/4"-19	1/4"-18	1/4"-19	27.00	27.70	27.00	4.70	7.14	4.70	14
DABPML28M-0606	3/8"-19	3/8"-18	3/8"-19	29.00	31.00	29.00	7.90	10.31	7.90	19
DABPML28M-0806	1/2"-14	3/8"-18	1/2"-14	34.00	33.00	34.00	11.10	10.31	11.10	22
DABPML28M-0808	1/2"-14	1/2"-14	1/2"-14	34.00	37.50	34.00	11.10	13.49	11.10	22
DABPML28M-1008	5/8"-14	1/2"-14	5/8"-14	38.00	40.00	38.00	14.30	13.49	14.30	27
DABPML28M-1212	3/4"-14	3/4"-14	3/4"-14	40.00	40.40	40.00	16.70	18.26	16.70	27
DABPML28M-1616	1"-11	1"-11-1/2	1"-11	45.00	50.00	45.00	22.20	23.83	22.20	33
DABPML28M-2020	1-1/4"-11	1-1/4"-11-1/2	1-1/4"-11	52.00	60.50	52.00	28.60	31.75	28.60	41
DABPML28M-2424	1-1/2"-11	1-1/2"-11-1/2	1-1/2"-11	59.00	67.10	59.00	33.30	38.10	33.30	48
DABPML28M-3232	2"-11	2"-11-1/2	2"-11	75.00	76.20	75.00	46.00	49.23	46.00	65

## DABPFT07M

Branch Tee Connector BSPP Fixed Female - BSPT Male 60°

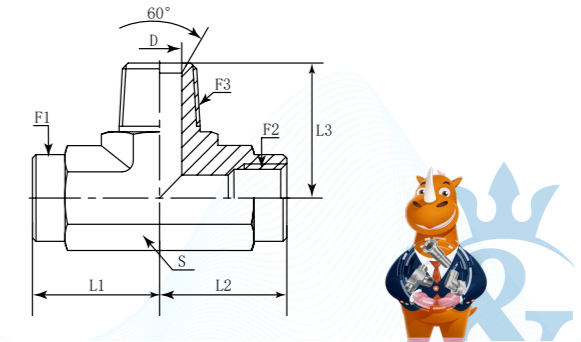
<b>D</b>	<b>A</b>	<b>BP</b>	<b>F</b>	<b>T</b>	<b>07</b>	<b>M</b>
Company	Product Range	Thread Types	Connection Type	Adaptor Structure	Thread Types	Connection Type
<b>DME</b>	Adaptor	BSPP	Female	Branch Tee	BSPT	Male

German Technology Equipment

**SHIELD FLEX**

New-Standard

- DME&JDE Code: **DABPFT07M**
- Product Type: **Hydraulic adaptor**
- Standard: **BSP**
- Structure: **Branch Tee**
- Connection Type: **Fixed Female x Fixed Female x Male**
- Thread Types: **BSPP 60° x BSPT 60° x BSPP 60°**



PART NUMBER	F1 (Thread)	F2 (Thread)	F3 (Thread)	L1	L2	L3	D	S
#	BSPP	BSPP	BSPT	mm	mm	mm	mm	mm
DABPFT07M-0202	1/8"-28	1/8"-28	1/8"-28	17.00	17.00	20.00	4.50	14
DABPFT07M-0404	1/4"-19	1/4"-19	1/4"-19	22.50	22.50	28.00	6.00	19
DABPFT07M-0606	3/8"-19	3/8"-19	3/8"-19	26.00	26.00	31.00	9.00	22
DABPFT07M-0808	1/2"-14	1/2"-14	1/2"-14	31.00	31.00	37.50	12.00	27
DABPFT07M-1212	3/4"-14	3/4"-14	3/4"-14	34.50	34.50	40.00	16.70	33
DABPFT07M-1616	1"-11	1"-11	1"-11	41.00	41.00	50.00	22.20	41
DABPFT07M-2020	1-1/4"-11	1-1/4"-11	1-1/4"-11	43.00	43.00	60.00	28.60	48
DABPFT07M-2424	1-1/2"-11	1-1/2"-11	1-1/2"-11	53.00	53.00	67.00	33.30	65
DABPFT07M-3232	2"-11	2"-11	2"-11	60.50	60.50	76.00	45.00	70



## DABPFT28M

Branch Tee Connector BSPP Fixed Female - NPTF Male 60°

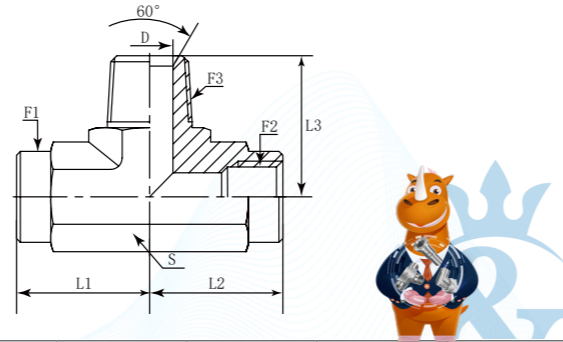
<b>D</b>	<b>A</b>	<b>BP</b>	<b>F</b>	<b>T</b>	<b>28</b>	<b>M</b>
Company	Product Range	Thread Types	Connection Type	Adaptor Structure	Thread Types	Connection Type
<b>DME</b>	Adaptor	BSPP	Female	Branch Tee	NPTF	Male

German Technology Equipment

**SHIELD FLEX**

New-Standard

- DME&JDE Code: **DABPFT28M**
- Product Type: **Hydraulic adaptor**
- Standard: **BSP**
- Structure: **Branch Tee**
- Connection Type: **Fixed Female × Fixed Female × Male**
- Thread Types: **BSPP 60° × BSPP 60° × NPTF 60°**



PART NUMBER	F1 (Thread)	F2 (Thread)	F3 (Thread)	L1	L2	L3	D	S
#	BSPP	BSPP	NPTF	mm	mm	mm	mm	mm
DABPFT28M-0202	1/8"-28	1/8"-28	1/8"-27	17.00	17.00	20.00	4.78	14
DABPFT28M-0404	1/4"-19	1/4"-19	1/4"-18	22.50	22.50	28.00	7.14	19
DABPFT28M-0606	3/8"-19	3/8"-19	3/8"-18	26.00	26.00	31.00	10.31	22
DABPFT28M-0808	1/2"-14	1/2"-14	1/2"-14	31.00	31.00	37.50	13.49	27
DABPFT28M-1212	3/4"-14	3/4"-14	3/4"-14	34.50	34.50	40.00	18.26	33
DABPFT28M-1616	1"-11	1"-11	1"-11-1/2	41.00	41.00	50.00	23.83	41
DABPFT28M-2020	1-1/4"-11	1-1/4"-11	1-1/4"-11-1/2	43.00	43.00	60.00	31.75	48
DABPFT28M-2424	1-1/2"-11	1-1/2"-11	1-1/2"-11-1/2	53.00	53.00	67.00	38.10	65
DABPFT28M-3232	2"-11	2"-11	2"-11-1/2	60.50	60.50	76.00	49.23	70

## DABPFL07M

Run Tee Connector BSPP Fixed Female - BSPT Male 60°

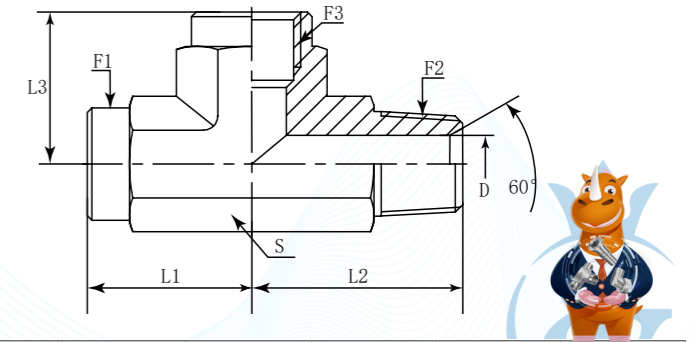
<b>D</b>	<b>A</b>	<b>BP</b>	<b>F</b>	<b>L</b>	<b>07</b>	<b>M</b>
Company	Product Range	Thread Types	Connection Type	Adaptor Structure	Thread Types	Connection Type
<b>DME</b>	Adaptor	BSPP	Female	Run Tee	BSPT	Male

German Technology Equipment

**SHIELD FLEX**

New-Standard

- DME&JDE Code: **DABPFL07M**
- Product Type: **Hydraulic adaptor**
- Standard: **BSP**
- Structure: **Run Tee**
- Connection Type: **Fixed Female × Fixed Female × Male**
- Thread Types: **BSPP 60° × BSPT 60° × BSPP 60°**



PART NUMBER	F1 (Thread)	F2 (Thread)	F3 (Thread)	L1	L2	L3	D	S
#	BSPP	BSPT	BSPP	mm	mm	mm	mm	mm
DABPFL07M-0202	1/8"-28	1/8"-28	1/8"-28	17.00	20.00	17.00	4.50	14
DABPFL07M-0404	1/4"-19	1/4"-19	1/4"-19	22.50	28.00	22.50	6.00	19
DABPFL07M-0606	3/8"-19	3/8"-19	3/8"-19	26.00	31.00	26.00	9.00	22
DABPFL07M-0808	1/2"-14	1/2"-14	1/2"-14	31.00	37.50	31.00	12.00	27
DABPFL07M-1212	3/4"-14	3/4"-14	3/4"-14	34.50	40.00	34.50	16.70	33
DABPFL07M-1616	1"-11	1"-11	1"-11	41.00	50.00	41.00	22.20	41
DABPFL07M-2020	1-1/4"-11	1-1/4"-11	1-1/4"-11	43.00	60.00	43.00	28.60	48
DABPFL07M-2424	1-1/2"-11	1-1/2"-11	1-1/2"-11	53.00	67.00	53.00	33.30	65
DABPFL07M-3232	2"-11	2"-11	2"-11	60.50	76.00	60.50	45.00	70



## DABPFL28M

Run Tee Connector BSPP Fixed Female - NPTF Male 60°

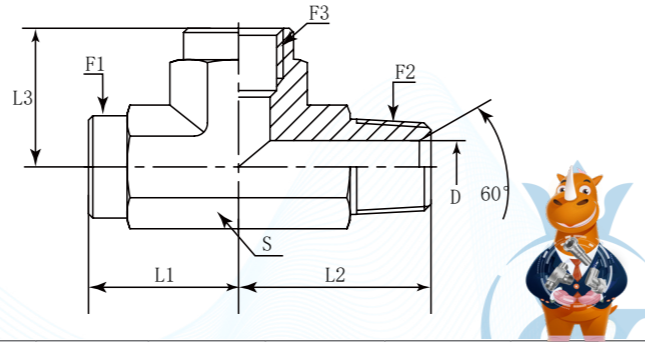
<b>D</b>	<b>A</b>	<b>BP</b>	<b>F</b>	<b>L</b>	<b>28</b>	<b>M</b>
Company	Product Range	Thread Types	Connection Type	Adaptor Structure	Thread Types	Connection Type
<b>DME</b>	Adaptor	BSPP	Female	Run Tee	NPTF	Male

German Technology Equipment

**SHIELD FLEX**

New-Standard

- DME&JDE Code: **DABPFL28M**
- Product Type: **Hydraulic adaptor**
- Standard: **BSP**
- Structure: **Run Tee**
- Connection Type: **Fixed Female x Fixed Female x Male**
- Thread Types: **BSPP 60° x NPTF 60° x BSPP 60°**



PART NUMBER	F1 (Thread)	F2 (Thread)	F3 (Thread)	L1	L2	L3	D	S
#	BSPP	NPTF	BSPP	mm	mm	mm	mm	mm
DABPFL28M-0202	1/8"-28	1/8"-27	1/8"-28	17.00	20.00	17.00	4.78	14
DABPFL28M-0404	1/4"-19	1/4"-18	1/4"-19	22.50	28.00	22.50	7.14	19
DABPFL28M-0606	3/8"-19	3/8"-18	3/8"-19	26.00	31.00	26.00	10.31	22
DABPFL28M-0808	1/2"-14	1/2"-14	1/2"-14	31.00	37.50	31.00	13.49	27
DABPFL28M-1212	3/4"-14	3/4"-14	3/4"-14	34.50	40.00	34.50	18.26	33
DABPFL28M-1616	1"-11	1"-11 1/2	1"-11	41.00	50.00	41.00	23.83	41
DABPFL28M-2020	1-1/4"-11	1-1/4"-11-1/2	1-1/4"-11	43.00	60.00	43.00	31.75	48
DABPFL28M-2424	1-1/2"-11	1-1/2"-11-1/2	1-1/2"-11	53.00	67.00	53.00	38.10	65
DABPFL28M-3232	2"-11	2"-11-1/2	2"-11	60.50	76.00	60.50	49.23	70

## DABPFT05F

Equal Tee Connector BSPP Fixed Female – BSPP Fixed Female

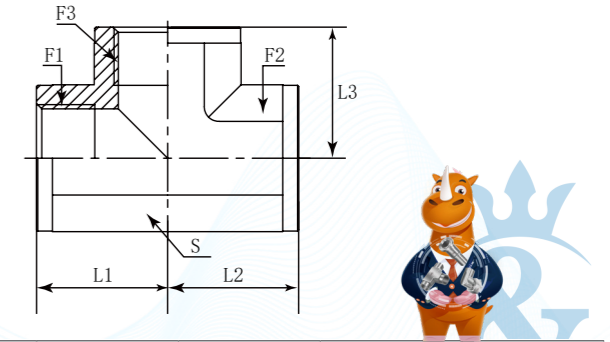
<b>D</b>	<b>A</b>	<b>BP</b>	<b>F</b>	<b>T</b>	<b>05</b>	<b>F</b>
Company	Product Range	Thread Types	Connection Type	Adaptor Structure	Thread Types	Connection Type
<b>DME</b>	Adaptor	BSPP	Female	Branch Tee	BSPP	Female

German Technology Equipment

**SHIELD FLEX**

New-Standard

- DME&JDE Code: **DABPFT05F**
- Product Type: **Hydraulic adaptor**
- Standard: **BSP**
- Structure: **Equal Tee**
- Connection Type: **Fixed Female x Fixed Female x Fixed Female**
- Thread Types: **BSPP x BSPP x BSPP**



PART NUMBER	F1 (Thread)	F2 (Thread)	F3 (Thread)	L1	L2	L3	S
#	BSPP	BSPP	BSPP	mm	mm	mm	mm
DABPFT05F-0202	1/8"-28	1/8"-28	1/8"-28	20.00	20.00	20.00	14
DABPFT05F-0404	1/4"-19	1/4"-19	1/4"-19	22.00	22.00	22.00	19
DABPFT05F-0606	3/8"-19	3/8"-19	3/8"-19	26.00	26.00	26.00	22
DABPFT05F-0808	1/2"-14	1/2"-14	1/2"-14	32.00	32.00	32.00	27
DABPFT05F-1010	5/8"-14	5/8"-14	5/8"-14	35.00	35.00	35.00	33
DABPFT05F-1212	3/4"-14	3/4"-14	3/4"-14	36.00	36.00	36.00	33
DABPFT05F-1616	1"-11	1"-11	1"-11	42.00	42.00	42.00	41
DABPFT05F-2020	1-1/4"-11	1-1/4"-11	1-1/4"-11	48.00	48.00	48.00	48
DABPFT05F-2424	1-1/2"-11	1-1/2"-11	1-1/2"-11	53.00	53.00	53.00	65
DABPFT05F-3232	2"-11	2"-11	2"-11	60.00	60.00	60.00	70





# DABP1T081

Branch Tee BSPP Swivel Female 60° - BSPP Swivel Female 60°

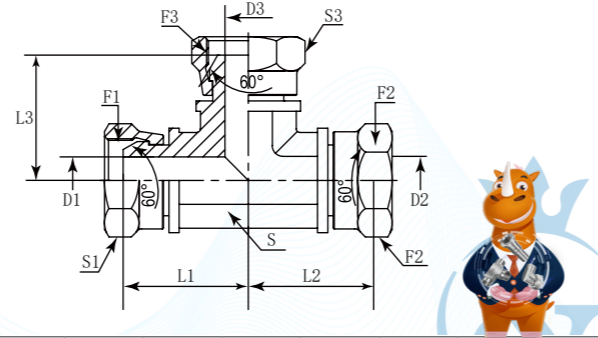
<b>D</b>	<b>A</b>	<b>BP</b>	<b>1</b>	<b>T</b>	<b>081</b>
Company	Product Range	Thread Types	Connection Type	Adaptor Structure	Thread Types
<b>DME</b>	Adaptor	BSPP	Male	90° Elbow	BSPT

German Technology Equipment

**SHIELD FLEX**

New-Standard

- DME&JDE Code: **DABP1T081**
- Product Type: **Hydraulic adaptor**
- Standard: **BSP**
- Structure: **Branch Tee**
- Connection Type: **Swivel Female x Swivel Female x Swivel Female**
- Thread Types: **BSPP 60° x BSPP 60° x BSPP 60°**



PART NUMBER	F1 (Thread)	F2 (Thread)	F3 (Thread)	L1	L2	L3	D1	D2	D3	S	S1	S2	S3
#	BSPP	BSPP	BSPP	mm	mm	mm	mm	mm	mm	mm	mm	mm	mm
DABP1T081-0202	1/8"-28	1/8"-28	1/8"-28	22.50	22.50	22.50	3.50	3.50	3.50	11	14	14	14
DABP1T081-0404	1/4"-19	1/4"-19	1/4"-19	24.50	24.50	24.50	4.70	4.70	4.70	14	19	19	19
DABP1T081-0606	3/8"-19	3/8"-19	3/8"-19	27.50	27.50	27.50	7.90	7.90	7.90	19	22	22	22
DABP1T081-0808	1/2"-14	1/2"-14	1/2"-14	31.50	31.50	31.50	11.10	11.10	11.10	22	27	27	27
DABP1T081-1010	5/8"-14	5/8"-14	5/8"-14	35.00	35.00	35.00	14.30	14.30	14.30	22	30	30	30
DABP1T081-1212	3/4"-14	3/4"-14	3/4"-14	41.50	41.50	41.50	16.70	16.70	16.70	27	32	32	32
DABP1T081-1616	1"-11	1"-11	1"-11	46.00	46.00	46.00	22.20	22.20	22.20	33	41	41	41
DABP1T081-2020	1-1/4"-11	1-1/4"-11	1-1/4"-11	51.20	51.20	51.20	28.60	28.60	28.60	41	50	50	50
DABP1T081-2424	1-1/2"-11	1-1/2"-11	1-1/2"-11	63.50	63.50	63.50	33.30	33.30	33.30	48	55	55	55
DABP1T081-3232	2"-11	2"-11	2"-11	65.00	65.00	65.00	45.00	45.00	45.00	63	70	70	70

# DABPMT305

(1)Branch Adjustable Tee BSPP Male 60° - SAE Male + O Ring

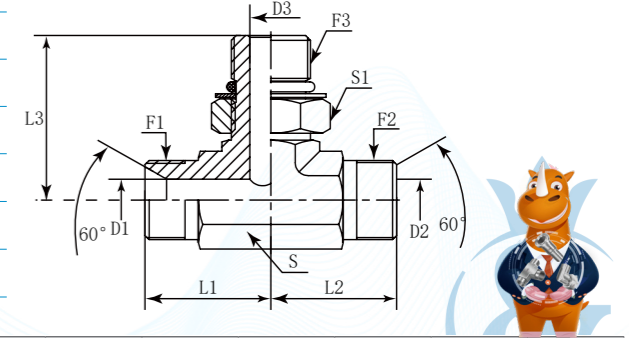
<b>D</b>	<b>A</b>	<b>BP</b>	<b>M</b>	<b>T</b>	<b>30</b>	<b>5</b>
Company	Product Range	Thread Types	Connection Type	Adaptor Structure	Thread Types	Connection Type
<b>DME</b>	Adaptor	BSPP	Male	Branch Tee	SAE UNF	Male + O Ring

German Technology Equipment

**SHIELD FLEX**

New-Standard

- DME&JDE Code: **DABPMT305**
- Product Type: **Hydraulic adaptor**
- Standard: **BSP**
- Structure: **Branch Tee**
- Connection Type: **Adjustable Male x Male x Male**
- Thread Types: **BSPP 60° x BSPP 60° x SAE UNF + O Ring**
- Thread Types: **O Ring**



PART NUMBER	F1 (Thread)	F2 (Thread)	F3 (Thread)	L1	L2	L3	D1	D2	D3	S	S1
#	BSPP	BSPP	UNF	mm	mm	mm	mm	mm	mm	mm	mm
DABPMT305-0204	1/8"-28	1/8"-28	7/16"-20	22.50	22.50	26.16	3.50	3.50	4.37	11	14.29
DABPMT305-0406	1/4"-28	1/4"-28	9/16"-18	27.00	27.00	31.80	4.70	4.70	7.54	14	17.46
DABPMT305-0608	3/8"-19	3/8"-19	3/4"-16	29.00	29.00	37.00	7.90	7.90	9.93	19	22.22
DABPMT305-0808	1/2"-14	1/2"-14	3/4"-16	34.00	34.00	39.10	11.10	11.10	9.93	22	22.22
DABPMT305-0810	1/2"-14	1/2"-14	7/8"-14	34.00	34.00	43.20	11.10	11.10	12.29	22	25.40
DABPMT305-1212	3/4"-14	3/4"-14	1-1/16"-12	42.00	42.00	49.30	16.70	16.70	15.47	27	31.75
DABPMT305-1616	1"-11	1"-11	1-5/16"-12	46.00	46.00	52.10	22.20	22.20	21.44	33	38.10



## DABPMT06Q

Branch Adjustable Tee BSPP Male 60° - BSPP Male + O Ring

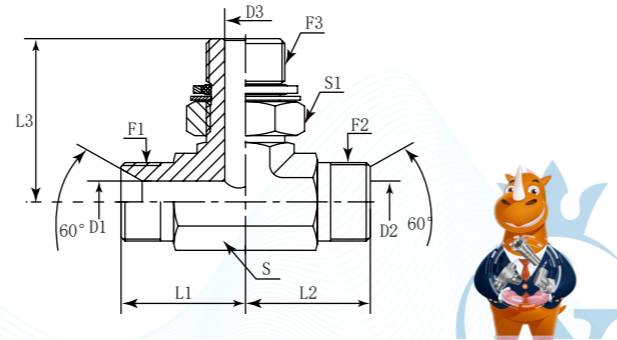
<b>D</b>	<b>A</b>	<b>BP</b>	<b>M</b>	<b>T</b>	<b>06</b>	<b>Q</b>
Company	Product Range	Thread Types	Connection Type	Adaptor Structure	Thread Types	Connection Type
<b>DME</b>	Adaptor	BSPP	Male	Branch Tee	BSPP	Male + O Ring

German Technology Equipment

**SHIELD FLEX**

New-Standard

- DME&JDE Code: **DABPMT06Q**
- Product Type: **Hydraulic adaptor**
- Standard: **BSP**
- Structure: **Branch Tee**
- Connection Type: **Adjustable Male x Male x Male**
- Thread Types: **BSPP 60° x BSPP 60° x BSPP**
- Sealing Method: **O Ring**



PART NUMBER	F1 (Thread)	F2 (Thread)	F3 (Thread)	L1	L2	L3	D1	D2	D3	S	S1
#	BSPP	BSPP	BSPP	mm	mm	mm	mm	mm	mm	mm	mm
DABPMT06Q-0202	1/8"-28	1/8"-28	1/8"-28	22.50	22.50	26.00	3.50	3.50	4.40	11	14
DABPMT06Q-0404	1/4"-19	1/4"-19	1/4"-19	27.00	27.00	31.50	4.70	4.70	7.50	14	19
DABPMT06Q-0604	3/8"-19	3/8"-19	1/4"-19	29.00	29.00	35.00	7.90	7.90	7.50	19	19
DABPMT06Q-0606	3/8"-19	3/8"-19	3/8"-19	29.00	29.00	37.00	7.90	7.90	9.00	19	22
DABPMT06Q-0806	1/2"-14	1/2"-14	3/8"-19	34.00	34.00	40.00	11.10	11.10	9.90	22	22
DABPMT06Q-0808	1/2"-14	1/2"-14	1/2"-14	34.00	34.00	43.00	11.10	11.10	12.30	22	27
DABPMT06Q-1208	3/4"-14	3/4"-14	1/2"-14	41.00	41.00	45.00	16.70	16.70	12.30	27	27
DABPMT06Q-1212	3/4"-14	3/4"-14	3/4"-14	41.00	41.00	50.00	16.70	16.70	15.50	27	36
DABPMT06Q-1612	1"-11	1"-11	3/4"-14	46.00	46.00	52.00	22.20	22.20	15.50	33	36
DABPMT06Q-1616	1"-11	1"-11	1"-11	47.00	47.00	54.00	22.20	22.20	21.50	33	41
DABPMT06Q-2016	1-1/4"-11	1-1/4"-11	1"-11	51.00	51.00	57.00	28.60	28.60	21.50	41	41
DABPMT06Q-2020	1-1/4"-11	1-1/4"-11	1-1/4"-11	51.00	51.00	58.00	28.60	28.60	27.50	41	50
DABPMT06Q-2424	1-1/2"-11	1-1/2"-11	1-1/2"-11	60.00	60.00	61.00	33.30	33.30	33.00	48	55
DABPMT06Q-3232	2"-11	2"-11	2"-11	75.00	75.00	75.00	46.00	46.00	45.00	63.50	70

## DABPMT06S

Branch Adjustable Tee BSPP Male 60° - BSPP Male + O Ring

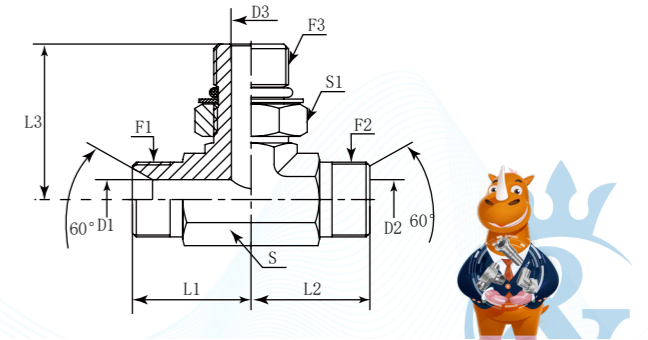
<b>D</b>	<b>A</b>	<b>BP</b>	<b>M</b>	<b>T</b>	<b>06</b>	<b>S</b>
Company	Product Range	Thread Types	Connection Type	Adaptor Structure	Thread Types	Connection Type
<b>DME</b>	Adaptor	BSPP	Male	Branch Tee	BSPP	Male + O Ring

German Technology Equipment

**SHIELD FLEX**

New-Standard

- DME&JDE Code: **DABPMT06S**
- Product Type: **Hydraulic adaptor**
- Standard: **BSP**
- Structure: **Branch Tee**
- Connection Type: **Adjustable Male x Male x Male**
- Thread Types: **BSPP 60° x BSPP 60° x BSPP**
- Sealing Method: **O Ring**



PART NUMBER	F1 (Thread)	F2 (Thread)	F3 (Thread)	L1	L2	L3	D1	D2	D3	S	S1
#	BSPP	BSPP	BSPP	mm	mm	mm	mm	mm	mm	mm	mm
DABPMT06S-0202	1/8"-28	1/8"-28	1/8"-28	22.50	22.50	26.00	3.50	3.50	4.40	11	14
DABPMT06S-0404	1/4"-19	1/4"-19	1/4"-19	27.00	27.00	31.50	4.70	4.70	7.50	14	19
DABPMT06S-0604	3/8"-19	3/8"-19	1/4"-19	29.00	29.00	35.00	7.90	7.90	7.50	19	19
DABPMT06S-0606	3/8"-19	3/8"-19	3/8"-19	29.00	29.00	37.00	7.90	7.90	9.00	19	22
DABPMT06S-0806	1/2"-14	1/2"-14	3/8"-19	34.00	34.00	40.00	11.10	11.10	9.90	22	22
DABPMT06S-0808	1/2"-14	1/2"-14	1/2"-14	34.00	34.00	43.00	11.10	11.10	12.30	22	27
DABPMT06S-1208	3/4"-14	3/4"-14	1/2"-14	41.00	41.00	45.00	16.70	16.70	12.30	27	27
DABPMT06S-1212	3/4"-14	3/4"-14	3/4"-14	41.00	41.00	50.00	16.70	16.70	15.50	27	36
DABPMT06S-1612	1"-11	1"-11	3/4"-14	46.00	46.00	52.00	22.20	22.20	15.50	33	36
DABPMT06S-1616	1"-11	1"-11	1"-11	47.00	47.00	54.00	22.20	22.20	21.50	33	41
DABPMT06S-2016	1-1/4"-11	1-1/4"-11	1"-11	51.00	51.00	57.00	28.60	28.60	21.50	41	41
DABPMT06S-2020	1-1/4"-11	1-1/4"-11	1-1/4"-11	51.00	51.00	58.00	28.60	28.60	27.50	41	50
DABPMT06S-2424	1-1/2"-11	1-1/2"-11	1-1/2"-11	60.00	60.00	61.00	33.30	33.30	33.00	48	55
DABPMT06S-3232	2"-11	2"-11	2"-11	75.00	75.00	75.00	46.00	46.00	45.00	63.50	70





## DABPMT52Q

Branch Adjustable Tee BSPP Male 60° - Metric Male + O Ring

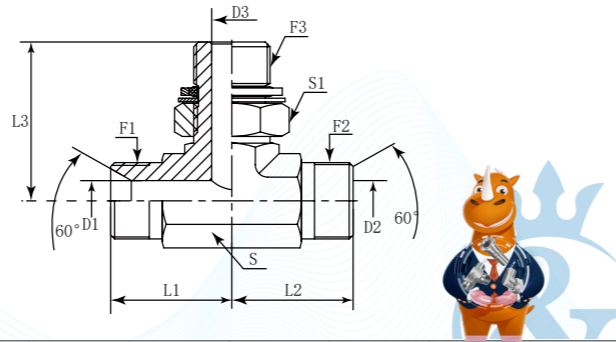
<b>D</b>	<b>A</b>	<b>BP</b>	<b>M</b>	<b>T</b>	<b>52</b>	<b>Q</b>
Company	Product Range	Thread Types	Connection Type	Adaptor Structure	Thread Types	Connection Type
<b>DME</b>	Adaptor	BSPP	Male	Branch Tee	Metric	Male + O Ring

German Technology Equipment

**SHIELD FLEX**

New-Standard

- DME&JDE Code: **DABPMT52Q**
- Product Type: **Hydraulic adaptor**
- Standard: **BSP**
- Structure: **Branch Tee**
- Connection Type: **Adjustable Male x Male x Male**
- Thread Types: **BSPP 60° x BSPP 60° x Metric**
- Sealing Method: **O Ring**



PART NUMBER	F1 (Thread)	F2 (Thread)	F2 (Thread)	L1	L2	L3	D1	D2	D3	S	S1
#	BSPP	BSPP	METRIC	mm	mm	mm	mm	mm	mm	mm	mm
DABPMT52Q-0210	1/8"-28	1/8"-28	M10X1	22.00	22.00	27.00	3.50	3.50	4.50	11	14
DABPMT52Q-0212	1/8"-28	1/8"-28	M12X1.5	24.00	24.00	31.50	3.50	3.50	6.00	14	17
DABPMT52Q-0412	1/4"-19	1/4"-19	M12X1.5	27.00	27.00	31.50	4.70	4.70	6.00	14	17
DABPMT52Q-0414	1/4"-19	1/4"-19	M14X1.5	27.00	27.00	31.50	4.70	4.70	7.50	14	19
DABPMT52Q-0416	1/4"-19	1/4"-19	M16X1.5	28.00	28.00	37.00	4.70	4.70	9.00	19	22
DABPMT52Q-0614	3/8"-19	3/8"-19	M14X1.5	29.00	29.00	34.00	7.90	7.90	7.50	14	19
DABPMT52Q-0616	3/8"-19	3/8"-19	M16X1.5	29.00	29.00	37.00	7.90	7.90	9.00	19	22
DABPMT52Q-0618	3/8"-19	3/8"-19	M18X1.5	29.00	29.00	38.00	7.90	7.90	11.00	19	24
DABPMT52Q-0816	1/2"-14	1/2"-14	M16X1.5	34.00	34.00	40.00	11.10	11.10	7.00	22	22
DABPMT52Q-0818	1/2"-14	1/2"-14	M18X1.5	34.00	34.00	41.00	11.10	11.10	11.00	22	24
DABPMT52Q-0820	1/2"-14	1/2"-14	M20X1.5	34.00	34.00	43.00	11.10	11.10	12.50	22	27
DABPMT52Q-0822	1/2"-14	1/2"-14	M22X1.5	34.00	34.00	43.00	11.10	11.10	14.00	22	27
DABPMT52Q-1022	5/8"-14	5/8"-14	M22X1.5	37.00	37.00	46.00	14.30	14.30	14.00	22	27
DABPMT52Q-1222	3/4"-14	3/4"-14	M22X1.5	41.00	41.00	46.00	16.70	16.70	14.00	27	27
DABPMT52Q-1226	3/4"-14	3/4"-14	M26X1.5	41.00	41.00	50.00	16.70	16.70	17.00	27	32
DABPMT52Q-1227	3/4"-14	3/4"-14	M27X2	41.00	41.00	50.00	16.70	16.70	18.00	27	32
DABPMT52Q-1627	1"-11	1"-11	M27X2	46.00	46.00	52.00	22.20	22.20	18.00	33	32
DABPMT52Q-1633	1"-11	1"-11	M33X2	46.00	46.00	53.00	22.20	22.20	23.00	33	41
DABPMT52Q-2042	1-1/4"-11	1-1/4"-11	M42X2	51.00	51.00	58.00	28.60	28.60	30.00	41	50
DABPMT52Q-2448	1-1/2"-11	1-1/2"-11	M48X2	59.00	59.00	67.00	33.30	33.30	36.00	48	55



## DABPMT525

Branch Adjustable Tee BSPP Male 60° - Metric Male + O Ring

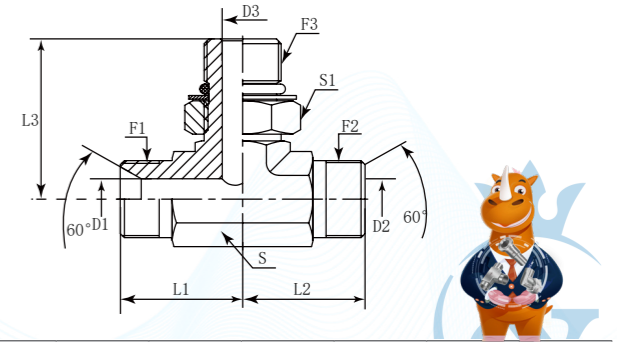
<b>D</b>	<b>A</b>	<b>BP</b>	<b>M</b>	<b>T</b>	<b>52</b>	<b>5</b>
Company	Product Range	Thread Types	Connection Type	Adaptor Structure	Thread Types	Connection Type
<b>DME</b>	Adaptor	BSPP	Male	Branch Tee	Metric	Male + O Ring

German Technology Equipment

**SHIELD FLEX**

New-Standard

- DME&JDE Code: **DABPMT525**
- Product Type: **Hydraulic adaptor**
- Standard: **BSP**
- Structure: **Branch Tee**
- Connection Type: **Adjustable Male x Male x Male**
- Thread Types: **BSPP 60° Cone x BSPP 60° Cone x Metric**
- Sealing Method: **O Ring**



PART NUMBER	F1 (Thread)	F2 (Thread)	F3 (Thread)	L1	L2	L3	D1	D2	D3	S	S1
#	BSPP	BSPP	METRIC	mm	mm	mm	mm	mm	mm	mm	mm
DABPMT525-0210	1/8"-28	1/8"-28	M10X1	22.00	22.00	27.00	3.50	3.50	4.50	11	14
DABPMT525-0212	1/8"-28	1/8"-28	M12X1.5	24.00	24.00	31.50	3.50	3.50	6.00	14	17
DABPMT525-0412	1/4"-19	1/4"-19	M12X1.5	27.00	27.00	31.50	4.70	4.70	6.00	14	17
DABPMT525-0414	1/4"-19	1/4"-19	M14X1.5	27.00	27.00	31.50	4.70	4.70	7.50	14	19
DABPMT525-0416	1/4"-19	1/4"-19	M16X1.5	28.00	28.00	37.00	4.70	4.70	9.00	19	22
DABPMT525-0614	3/8"-19	3/8"-19	M14X1.5	29.00	29.00	34.00	7.90	7.90	7.50	14	19
DABPMT525-0616	3/8"-19	3/8"-19	M16X1.5	29.00	29.00	37.00	7.90	7.90	9.00	19	22
DABPMT525-0618	3/8"-19	3/8"-19	M18X1.5	29.00	29.00	38.00	7.90	7.90	11.00	19	24
DABPMT525-0816	1/2"-14	1/2"-14	M16X1.5	34.00	34.00	40.00	11.10	11.10	7.00	22	22
DABPMT525-0818	1/2"-14	1/2"-14	M18X1.5	34.00	34.00	41.00	11.10	11.10	11.00	22	24
DABPMT525-0820	1/2"-14	1/2"-14	M20X1.5	34.00	34.00	43.00	11.10	11.10	12.50	22	27
DABPMT525-0822	1/2"-14	1/2"-14	M22X1.5	34.00	34.00	43.00	11.10	11.10	14.00	22	27
DABPMT525-1022	5/8"-14	5/8"-14	M22X1.5	37.00	37.00	46.00	14.30	14.30	14.00	22	27
DABPMT525-1222	3/4"-14	3/4"-14	M22X1.5	41.00	41.00	46.00	16.70	16.70	14.00	27	27
DABPMT525-1226	3/4"-14	3/4"-14	M26X1.5	41.00	41.00	50.00	16.70	16.70	17.00	27	32
DABPMT525-1227	3/4"-14	3/4"-14	M27X2	41.00	41.00	50.00	16.70	16.70	18.00	27	32
DABPMT525-1627	1"-11	1"-11	M27X2	46.00	46.00	52.00	22.20	22.20	18.00	33	32
DABPMT525-1633	1"-11	1"-11	M33X2	46.00	46.00	53.00	22.20	22.20	23.00	33	41
DABPMT525-2042	1-1/4"-11	1-1/4"-11	M42X2	51.00	51.00	58.00	28.60	28.60	30.00	41	50
DABPMT525-2448	1-1/2"-11	1-1/2"-11	M48X2	59.00	59.00	67.00	33.30	33.30	36.00	48	55



## DABPMT05T

Branch Bulkhead Tee Connector BSPP Male 60° - BSPP Male 60°

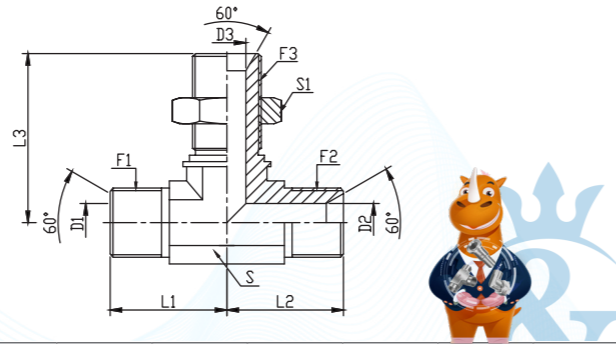
<b>D</b>	<b>A</b>	<b>BP</b>	<b>M</b>	<b>T</b>	<b>05</b>	<b>T</b>
Company	Product Range	Thread Types	Connection Type	Adaptor Structure	Thread Types	Connection Type
<b>DME</b>	Adaptor	BSPP	Male	Branch Tee	BSPP	Bulkhead

German Technology Equipment

**SHIELD FLEX**

New-Standard

- DME&JDE Code: **DABPMT05T**
- Product Type: **Hydraulic adaptor**
- Standard: **BSP**
- Structure: **Branch Tee**
- Connection Type: **Adjustable Male x Male x Male**
- Thread Types: **BSPP 60° x BSPP 60° x BSPP 60°**
- Other Features: **Bulkhead**



PART NUMBER	F1 (Thread)	F2 (Thread)	F3 (Thread)	L1	L2	L3	D1	D2	D3	S	S1
#	BSPP	BSPP	BSPP	mm	mm	mm	mm	mm	mm	mm	mm
DABPMT05T-0202	1/8"-28	1/8"-28	1/8"-28	20.00	20.00	37.00	3.50	3.50	3.50	11	14
DABPMT05T-0404	1/4"-19	1/4"-19	1/4"-19	26.00	26.00	44.00	4.70	4.70	4.70	14	19
DABPMT05T-0606	3/8"-19	3/8"-19	3/8"-19	30.00	30.00	49.00	7.90	7.90	7.90	19	22
DABPMT05T-0808	1/2"-14	1/2"-14	1/2"-14	34.00	34.00	55.00	11.10	11.10	11.10	22	27
DABPMT05T-1010	5/8"-14	5/8"-14	5/8"-14	38.00	38.00	59.00	14.30	14.30	14.30	22	32
DABPMT05T-1212	1/2"-14	1/2"-14	1/2"-14	42.00	42.00	63.00	16.70	16.70	16.70	27	32
DABPMT05T-1616	1"-11	1"-11	1"-11	47.00	47.00	69.00	22.20	22.20	22.20	33	41
DABPMT05T-2020	1-1/4"-11	1-1/4"-11	1-1/4"-11	52.00	52.00	77.00	28.60	28.60	28.60	41	50
DABPMT05T-2424	1-1/2"-11	1-1/2"-11	1-1/2"-11	60.00	60.00	87.00	33.30	33.30	33.30	48	55
DABPMT05T-3232	2"-11	2"-11	2"-11	64.00	64.00	97.00	46.00	46.00	46.00	65	70

## DABPML181

Run Tee Connector BSPP Male 60° - BSPP Swivel Female 60°

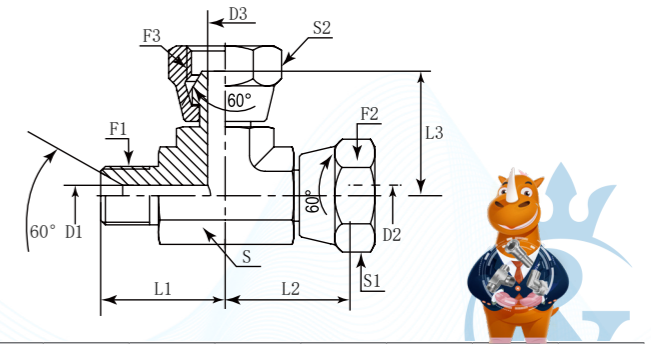
<b>D</b>	<b>A</b>	<b>BP</b>	<b>M</b>	<b>L</b>	<b>1</b>	<b>81</b>
Company	Product Range	Thread Types	Connection Type	Adaptor Structure	Connection Type	Connection Type
<b>DME</b>	Adaptor	BSPP	Male	Run Tee	Swivel Female	BSPP Swivel Female

German Technology Equipment

**SHIELD FLEX**

New-Standard

- DME&JDE Code: **DABPML181**
- Product Type: **Hydraulic adaptor**
- Standard: **BSP**
- Structure: **Branch Tee**
- Connection Type: **Male x Swivel Female x Swivel Female**
- Thread Types: **BSPP 60° x BSPP 60° x BSPP 60°**



PART NUMBER	F1 (Thread)	F2 (Thread)	F3 (Thread)	D1	D2	D3	L1	L2	L3	S	S1	S2
#	BSPP	BSPP	BSPP	mm	mm	mm	mm	mm	mm	mm	mm	mm
DABPML181-0202	1/8"-28	1/8"-28	1/8"-28	3.50	3.50	3.50	22.50	22.50	22.50	11	14	14
DABPML181-0404	1/4"-19	1/4"-19	1/4"-19	4.70	4.70	4.70	27.00	23.80	23.80	14	19	19
DABPML181-0606	3/8"-19	3/8"-19	3/8"-19	7.90	7.90	7.90	29.00	28.20	28.20	19	22	22
DABPML181-0808	1/2"-14	1/2"-14	1/2"-14	11.10	11.10	11.10	35.00	33.60	33.60	22	27	27
DABPML181-1010	5/8"-14	5/8"-14	5/8"-14	14.30	12.50	12.50	37.00	35.00	35.00	27	30	30
DABPML181-1212	3/4"-14	3/4"-14	3/4"-14	16.70	16.70	16.70	43.00	37.90	37.90	27	32	32
DABPML181-1616	1"-11	1"-11	1"-11	22.20	22.20	22.20	47.00	45.42	45.42	33	41	41
DABPML181-2020	1 1/4"-11	1-1/4"-11	1-1/4"-11	28.60	28.60	28.60	52.30	50.00	50.00	41	50	50



## DABPML081

Run Tee Connector BSPP Male 60° - BSPP Swivel Female 60°

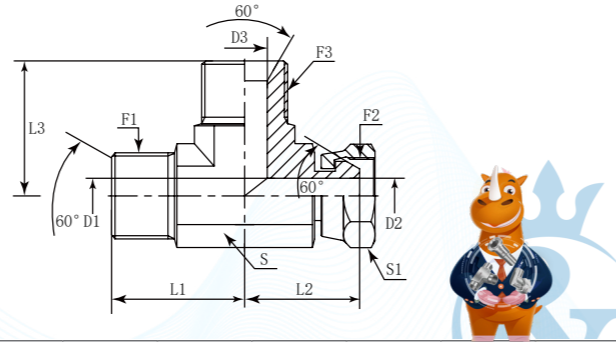
<b>D</b>	<b>A</b>	<b>BP</b>	<b>M</b>	<b>L</b>	<b>081</b>
Company	Product Range	Thread Types	Connection Type	Adaptor Structure	Thread Types
<b>DME</b>	Adaptor	BSPP	Male	Run Tee	BSPP Swivel Female

German Technology Equipment

**SHIELD FLEX**

New-Standard

- DME&JDE Code: **DABPML081**
- Product Type: **Hydraulic adaptor**
- Standard: **BSP**
- Structure: **Run Tee**
- Connection Type: **Male x Male x Swivel Female**
- Thread Types: **BSPP 60° x BSPP 60° x BSPP 60°**



PART NUMBER	F1 (Thread)	F2 (Thread)	F3 (Thread)	L1	L2	L3	D1	D2	D3	S	S1
#	BSPP	BSPP	BSPP	mm	mm	mm	mm	mm	mm	mm	mm
DABPML081-0202	1/8"-28	1/8"-28	1/8"-28	22.50	22.50	22.50	3.50	3.50	3.50	11	14
DABPML081-0404	1/4"-19	1/4"-19	1/4"-19	27.00	23.80	27.00	4.70	4.70	4.70	14	19
DABPML081-0606	3/8"-19	3/8"-19	3/8"-19	29.00	28.20	29.00	7.90	7.90	7.90	19	22
DABPML081-0808	1/2"-14	1/2"-14	1/2"-14	35.00	33.60	35.00	11.10	11.10	11.10	22	27
DABPML081-1010	5/8"-14	5/8"-14	5/8"-14	37.00	35.00	37.00	14.30	12.50	14.30	27	30
DABPML081-1212	3/4"-14	3/4"-14	3/4"-14	43.00	37.90	43.00	16.70	16.70	16.70	27	32
DABPML081-1616	1"-11	1"-11	1"-11	47.00	45.42	47.00	22.20	22.20	22.20	33	41
DABPML081-2020	1-1/4"-11	1-1/4"-11	1-1/4"-11	50.00	50.00	50.00	28.60	28.60	28.60	41	50
DABPML081-2424	1-1/2"-11	1-1/2"-11	1-1/2"-11	59.00	54.00	59.00	33.30	30.80	33.30	48	55
DABPML081-3232	2"-11	2"-11	2"-11	70.00	60.00	70.00	46.00	43.50	46.00	63	70

## DABPML081-SQ

Run Tee Connector Square BSPP Male 60° - BSPP Swivel Female 60°

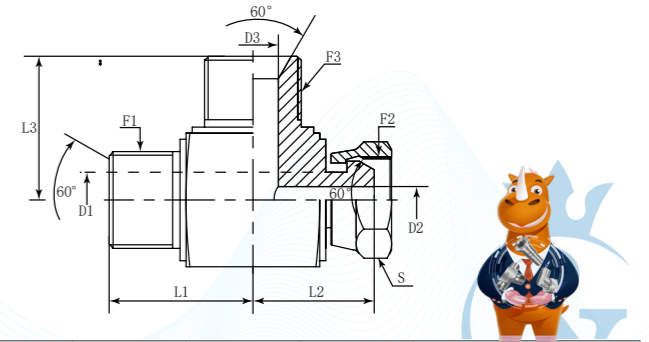
<b>D</b>	<b>A</b>	<b>BP</b>	<b>M</b>	<b>L</b>	<b>081</b>	<b>SQ</b>
Company	Product Range	Thread Types	Connection Type	Adaptor Structure	Connection Type	Body Type
<b>DME</b>	Adaptor	BSPP	Male	Run Tee	BSPP Swivel Female	Square

German Technology Equipment

**SHIELD FLEX**

New-Standard

- DME&JDE Code: **DABPML081-SQ**
- Product Type: **Hydraulic adaptor**
- Standard: **BSP**
- Structure: **Run Tee**
- Connection Type: **Male x Male x Swivel Female**
- Thread Types: **BSPP 60° x BSPP 60° x BSPP 60°**



PART NUMBER	F1 (Thread)	F2 (Thread)	F3 (Thread)	L1	L2	L3	D1	D2	D3
#	BSPP	BSPP	BSPP	mm	mm	mm	mm	mm	mm
DABPML081-0404SQ	1/4"-19	1/4"-19	1/4"-19	22.50	22.00	22.50	4.70	4.70	4.70
DABPML081-0606SQ	3/8"-19	3/8"-19	3/8"-19	25.00	24.50	25.00	7.90	7.90	7.90
DABPML081-0808SQ	1/2"-14	1/2"-14	1/2"-14	31.80	28.50	31.80	11.10	11.10	11.10
DABPML081-1212SQ	3/4"-14	3/4"-14	3/4"-14	35.00	34.00	35.00	16.70	16.70	16.70
DABPML081-1616SQ	1"-11	1"-11	1"-11	44.00	42.00	44.00	22.20	22.20	22.20
DABPML081-2020SQ	1-1/4"-11	1-1/4"-11	1-1/4"-11	50.00	48.00	50.00	28.60	28.60	28.60

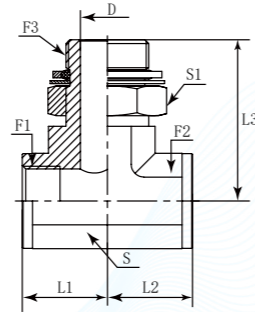
## DABPFT06Q

Branch Adjustable Tee Connector BSPP Fixed Female - BSPP Male + O Ring

<b>D</b>	<b>A</b>	<b>BP</b>	<b>F</b>	<b>T</b>	<b>06</b>	<b>0</b>
Company	Product Range	Thread Types	Connection Type	Adaptor Structure	Thread Types	Connection Type
<b>DME</b>	Adaptor	BSPP	Female	Branch Tee	BSPP	Male + O Ring



- DME&JDE Code:** DABPFT06Q
- Product Type:** Hydraulic adaptor
- Standard:** BSP
- Structure:** Branch Tee
- Connection Type:** Adjustable Male x Male x Fixed Female
- Thread Types:** BSPP 60° Cone x BSPP 60° Cone x BSPP
- Sealing Method:** O Ring



PART NUMBER	F1 (Thread)	F2 (Thread)	F3 (Thread)	D	L1	L2	L3	S	S1
#	BSPP	BSPP	BSPP	mm	mm	mm	mm	mm	mm
DABPFT06Q-0202	1/8"-28	1/8"-28	1/8"-28	4.40	16.80	16.80	28.00	14	14
DABPFT06Q-0404	1/4"-19	1/4"-19	1/4"-19	7.50	26.50	26.50	37.00	22	19
DABPFT06Q-0606	3/8"-19	3/8"-19	3/8"-19	9.90	26.00	26.00	39.50	22	22
DABPFT06Q-0808	1/2"-14	1/2"-14	1/2"-14	12.30	32.00	32.00	45.50	27	27
DABPFT06Q-1212	3/4"-14	3/4"-14	3/4"-14	15.50	36.00	36.00	52.00	33	36
DABPFT06Q-1616	1"-11	1"-11	1"-11	21.50	42.00	42.00	57.00	41	41
DABPFT06Q-2020	1-1/4"-11	1-1/4"-11	1-1/4"-11	27.50	43.00	43.00	61.00	48	50
DABPFT06Q-2424	1-1/2"-11	1-1/2"-11	1-1/2"-11	33.00	53.00	53.00	75.00	65	55
DABPFT06Q-3232	2"-11	2"-11	2"-11	56.80	60.00	60.00	75.00	72	70

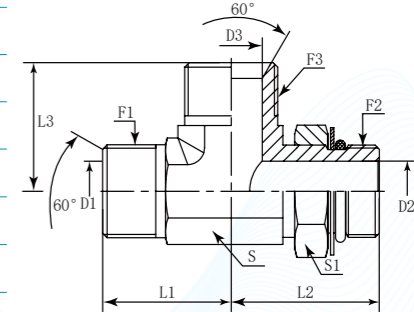
## DABPML305

Run Adjustable Tee BSPP Male 60° - SAE Male + O Ring + Retaining Ring

<b>D</b>	<b>A</b>	<b>BP</b>	<b>M</b>	<b>L</b>	<b>30</b>	<b>5</b>
Company	Product Range	Thread Types	Connection Type	Adaptor Structure	Thread Types	Connection Type
<b>DME</b>	Adaptor	BSPP	Male	Run Tee	SAE UNF	Male + O Ring + Retaining Ring



- DME&JDE Code:** DABPML305
- Product Type:** Hydraulic adaptor
- Standard:** BSP
- Structure:** Run Tee
- Connection Type:** Adjustable Male x Male
- Thread Types:** BSPP 60° x SAE UNF x BSPP 60°
- Sealing Method:** O Ring + Retaining Ring



PART NUMBER	F1 (Thread)	F2 (Thread)	F3 (Thread)	L1	L2	L3	D1	D2	D3	S	S1
#	BSPP	UNF	BSPP	mm	mm	mm	mm	mm	mm	mm	mm
DABPML305-0204	1/8"-28	7/16"-20	1/8"-28	22.50	26.16	22.50	3.50	4.37	3.50	11	14.29
DABPML305-0406	1/4"-28	9/16"-18	1/4"-28	27.00	31.80	27.00	4.70	7.54	4.70	14	17.46
DABPML305-0608	3/8"-19	3/4"-16	3/8"-19	29.00	37.00	29.00	7.90	9.93	7.90	19	22.22
DABPML305-0810	1/2"-14	7/8"-14	1/2"-14	34.00	43.20	34.00	11.10	12.29	11.10	22	25.40
DABPML305-1210	3/4"-14	7/8"-14	3/4"-14	42.00	45.20	42.00	16.70	12.29	16.70	27	25.40
DABPML305-1212	3/4"-14	1-1/16"-12	3/4"-14	42.00	49.30	42.00	16.70	15.47	16.70	27	31.75
DABPML305-1616	1"-11	1-5/16"-12	1"-11	46.00	52.10	46.00	22.20	21.44	22.20	33	38.10





## DABPML06Q

Run Adjustable Tee BSPP Male 60° - BSPP Male + O Ring + Retaining Ring

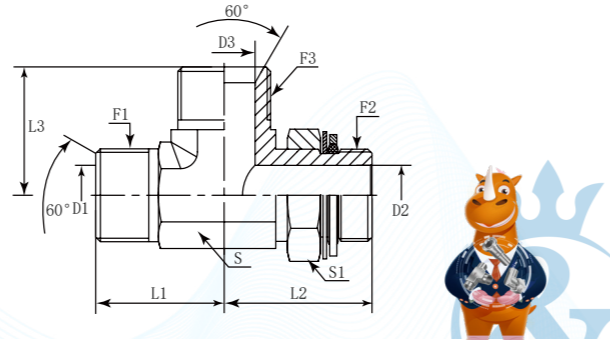
<b>D</b>	<b>A</b>	<b>BP</b>	<b>M</b>	<b>L</b>	<b>06</b>	<b>0</b>
Company	Product Range	Thread Types	Connection Type	Adaptor Structure	Thread Types	Connection Type
<b>DME</b>	Adaptor	BSPP	Male	Run Tee	BSPP	Male + O Ring + Retaining Ring

German Technology Equipment

**SHIELD FLEX**

New-Standard

- DME&JDE Code: **DABPML06Q**
- Product Type: **Hydraulic adaptor**
- Standard: **BSP**
- Structure: **Run Tee**
- Connection Type: **Adjustable Male x Male x Male**
- Thread Types: **BSPP 60° x BSPP x BSPP 60°**
- Sealing Method: **O Ring + Retaining Ring**



PART NUMBER	F1 (Thread)	F2 (Thread)	F3 (Thread)	L1	L2	L3	D1	D2	D3	S	S1
#	BSPP	BSPP	BSPP	mm	mm	mm	mm	mm	mm	mm	mm
DABPML06Q-0404	1/4"-19	1/4"-19	1/4"-19	27.00	31.50	27.00	4.70	7.50	4.70	14	19
DABPML06Q-0604	3/8"-19	1/4"-19	3/8"-19	29.00	34.00	29.00	7.90	7.50	7.90	19	19
DABPML06Q-0606	3/8"-19	3/8"-19	3/8"-19	29.00	37.00	29.00	7.90	9.90	7.90	19	22
DABPML06Q-0806	1/2"-14	3/8"-19	1/2"-14	34.00	40.00	34.00	11.10	9.90	11.10	22	22
DABPML06Q-0808	1/2"-14	1/2"-14	1/2"-14	34.00	43.00	34.00	11.10	12.30	11.10	22	27
DABPML06Q-1208	3/4"-14	1/2"-14	3/4"-14	41.00	45.50	41.00	16.70	12.30	16.70	27	27
DABPML06Q-1212	3/4"-14	3/4"-14	3/4"-14	41.00	50.00	41.00	16.70	15.50	16.70	27	36
DABPML06Q-1612	1"-11	3/4"-14	1"-11	46.00	52.00	46.00	22.20	15.50	22.20	33	36
DABPML06Q-1616	1"-11	1"-11	1"-11	46.00	53.00	46.00	22.20	21.50	22.20	33	41
DABPML06Q-2020	1-1/4"-11	1-1/4"-11	1-1/4"-11	51.00	58.00	51.00	28.60	27.50	28.60	41	50
DABPML06Q-2424	1-1/2"-11	1-1/2"-11	1-1/2"-11	60.00	61.00	60.00	33.30	33.00	33.30	48	55
DABPML06Q-3232	2"-11	2"-11	2"-11	75.00	75.00	75.00	46.00	45.00	46.00	63.50	70

## DABTML06Q

Run Adjustable Tee BSPT Male 60° - BSPP Male + O Ring + Retaining Ring

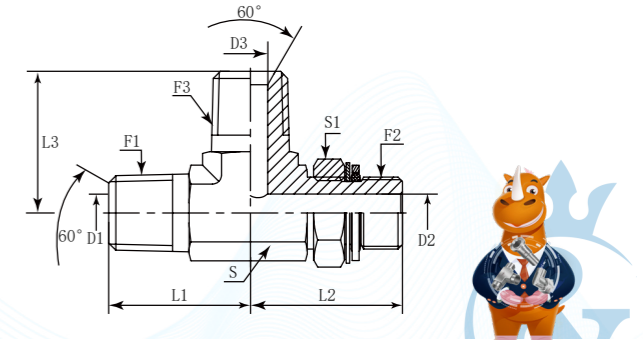
<b>D</b>	<b>A</b>	<b>BP</b>	<b>M</b>	<b>L</b>	<b>06</b>	<b>M</b>
Company	Product Range	Thread Types	Connection Type	Adaptor Structure	Thread Types	Connection Type
<b>DME</b>	Adaptor	BSPT	Male	Run Tee	BSPP	Male + O Ring + Retaining Ring

German Technology Equipment

**SHIELD FLEX**

New-Standard

- DME&JDE Code: **DABTML06Q**
- Product Type: **Hydraulic adaptor**
- Standard: **BSP**
- Structure: **Run Tee**
- Connection Type: **Adjustable Male x Male x Male**
- Thread Types: **BSPT 60° x BSPP x BSPT 60°**
- Sealing Method: **O Ring + Retaining Ring**



PART NUMBER	F1 (Thread)	F2 (Thread)	F3 (Thread)	D1	D2	D3	L1	L2	L3	S	S1
#	BSPT	BSPP	BSPT	mm	mm	mm	mm	mm	mm	mm	mm
DABTML06Q-0404	1/4"-19	1/4"-19	1/4"-19	6.00	7.50	6.00	27.70	31.50	27.70	14	19
DABTML06Q-0606	3/8"-19	3/8"-19	3/8"-19	9.00	9.90	9.00	31.00	36.50	31.00	19	22
DABTML06Q-0808	1/2"-14	1/2"-14	1/2"-14	12.00	12.30	12.00	37.50	43.00	37.50	22	27
DABTML06Q-1010	5/8"-14	5/8"-14	5/8"-14	14.00	14.00	14.00	46.00	39.00	46.00	27	30
DABTML06Q-1212	3/4"-14	3/4"-14	3/4"-14	16.70	15.50	16.70	40.40	49.00	40.40	27	36
DABTML06Q-1616	1"-11	1"-11	1"-11	22.20	21.50	22.20	50.00	52.00	50.00	33	41
DABTML06Q-2020	1-1/4"-11	1-1/4"-11	1-1/4"-11	28.60	27.50	28.60	60.50	58.00	60.50	41	50
DABTML06Q-2424	1-1/2"-11	1-1/2"-11	1-1/2"-11	33.30	33.00	33.30	67.10	62.00	67.10	48	55



## DABPML065

Run Adjustable Tee BSPP Male 60° - BSPP Male + O Ring

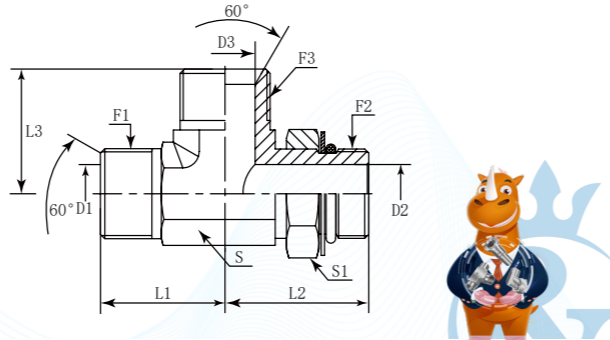
<b>D</b>	<b>A</b>	<b>BP</b>	<b>M</b>	<b>L</b>	<b>06</b>	<b>5</b>
Company	Product Range	Thread Types	Connection Type	Adaptor Structure	Thread Types	Connection Type
<b>DME</b>	Adaptor	BSPP	Male	Run Tee	BSPP	Male + O Ring

German Technology Equipment

**SHIELD FLEX**

New-Standard

- DME&JDE Code:** DABPML065
- Product Type:** Hydraulic adaptor
- Standard:** BSP
- Structure:** Run Tee
- Connection Type:** Adjustable Male x Male x Male
- Thread Types:** BSPP 60° x BSPP x BSPP 60°
- Sealing Method:** O Ring



PART NUMBER	F1 (Thread)	F2 (Thread)	F3 (Thread)	L1	L2	L3	D1	D2	D3	S	S1
#	BSPP	BSPP	BSPP	mm	mm	mm	mm	mm	mm	mm	mm
DABPML065-0202	1/8"-28	1/8"-28	1/8"-28	22.00	26.00	22.00	3.50	4.40	3.50	11	14
DABPML065-0204	1/8"-28	1/4"-19	1/8"-28	24.00	31.50	24.00	3.50	7.50	3.50	14	19
DABPML065-0402	1/4"-19	1/8"-28	1/4"-19	27.00	28.00	27.00	4.70	4.40	4.70	14	14
DABPML065-0404	1/4"-19	1/4"-19	1/4"-19	27.00	31.50	27.00	4.70	7.50	4.70	14	19
DABPML065-0406	1/4"-19	3/8"-19	1/4"-19	27.00	37.00	27.00	4.70	9.90	4.70	19	22
DABPML065-0604	3/8"-19	1/4"-19	3/8"-19	29.00	35.00	29.00	7.90	7.50	7.90	19	19
DABPML065-0606	3/8"-19	3/8"-19	3/8"-19	29.00	37.00	29.00	7.90	9.90	7.90	19	22
DABPML065-0608	3/8"-19	1/2"-14	3/8"-19	32.00	43.00	32.00	7.90	12.30	7.90	22	27
DABPML065-0806	1/2"-14	3/8"-19	1/2"-14	34.00	40.00	34.00	11.10	9.90	11.10	22	22
DABTML06Q-0808	1/2"-14	1/2"-14	1/2"-14	37.50	43.00	37.50	12.00	12.30	12.00	22	27
DABTML06Q-1212	3/4"-14	3/4"-14	3/4"-14	40.40	49.00	40.40	16.70	15.50	16.70	27	36
DABTML06Q-1616	1"-11	1"-11	1"-11	50.00	52.00	50.00	22.20	21.50	22.20	33	41

## DABPML52Q

Run Adjustable Tee BSPP Male 60° - Metric Male + O Ring + Retaining Ring

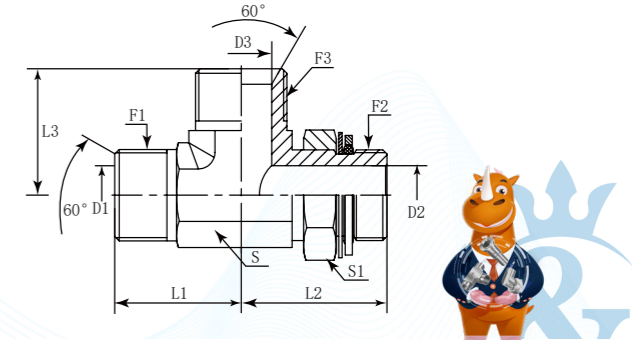
<b>D</b>	<b>A</b>	<b>BP</b>	<b>M</b>	<b>L</b>	<b>52</b>	<b>0</b>
Company	Product Range	Thread Types	Connection Type	Adaptor Structure	Thread Types	Connection Type
<b>DME</b>	Adaptor	BSPP	Male	Run Tee	Metric	Male + O Ring + Retaining Ring

German Technology Equipment

**SHIELD FLEX**

New-Standard

- DME&JDE Code:** DABPML52Q
- Product Type:** Hydraulic adaptor
- Standard:** BSP
- Structure:** Run Tee
- Connection Type:** Adjustable Male x Male x Male
- Thread Types:** BSPP 60° x Metric x BSPP 60°
- Sealing Method:** O Ring + Retaining Ring



PART NUMBER	F1 (Thread)	F2 (Thread)	F3 (Thread)	L1	L2	L3	D1	D2	D3	S	S1
#	BSPP	METRIC	BSPP	mm	mm	mm	mm	mm	mm	mm	mm
DABPML52Q-0210	1/8"-28	M10X1	1/8"-28	22.00	27.00	22.00	3.50	4.50	3.50	11	14
DABPML52Q-0212	1/8"-28	M12X1.5	1/8"-28	24.00	31.50	24.00	3.50	6.00	3.50	14	17
DABPML52Q-0412	1/4"-19	M12X1.5	1/4"-19	27.00	31.50	27.00	4.70	6.00	4.70	14	17
DABPML52Q-0414	1/4"-19	M14X1.5	1/4"-19	27.00	31.50	27.00	4.70	7.50	4.70	14	19
DABPML52Q-0416	1/4"-19	M16X1.5	1/4"-19	28.00	37.00	28.00	4.70	9.00	4.70	19	22
DABPML52Q-0614	3/8"-19	M14X1.5	3/8"-19	29.00	34.00	29.00	7.90	7.50	7.90	14	19
DABPML52Q-0616	3/8"-19	M16X1.5	3/8"-19	29.00	37.00	29.00	7.90	9.00	7.90	19	22
DABPML52Q-0618	3/8"-19	M18X1.5	3/8"-19	29.00	38.00	29.00	7.90	11.00	7.90	19	24
DABPML52Q-0816	1/2"-14	M16X1.5	1/2"-14	34.00	40.00	34.00	11.10	7.00	11.10	22	22
DABPML52Q-0818	1/2"-14	M18X1.5	1/2"-14	34.00	41.00	34.00	11.10	11.00	11.10	22	24
DABPML52Q-0820	1/2"-14	M20X1.5	1/2"-14	34.00	43.00	34.00	11.10	12.50	11.10	22	27
DABPML52Q-0822	1/2"-14	M22X1.5	1/2"-14	34.00	43.00	34.00	11.10	14.00	11.10	22	27
DABPML52Q-1022	5/8"-14	M22X1.5	5/8"-14	37.00	46.00	37.00	14.30	14.00	14.30	22	27
DABPML52Q-1222	3/4"-14	M22X1.5	3/4"-14	41.00	46.00	41.00	16.70	14.00	16.70	27	27
DABPML52Q-1226	3/4"-14	M26X1.5	3/4"-14	41.00	50.00	41.00	16.70	17.00	16.70	27	32
DABPML52Q-1227	3/4"-14	M27X2	3/4"-14	41.00	50.00	41.00	16.70	18.00	16.70	27	32
DABPML52Q-1627	1"-11	M27X2	1"-11	46.00	52.00	46.00	22.20	18.00	22.20	33	32
DABPML52Q-1633	1"-11	M33X2	1"-11	46.00	53.00	46.00	22.20	23.00	22.20	33	41
DABPML52Q-2042	1-1/4"-11	M42X2	1-1/4"-11	51.00	58.00	51.00	28.60	30.00	28.60	41	50
DABPML52Q-2448	1-1/2"-11	M48X2	1-1/2"-11	59.00	67.00	59.00	33.30	36.00	33.30	48	55





# DABPML525

Run Adjustable Tee BSPP Male 60° - Metric Male + O Ring

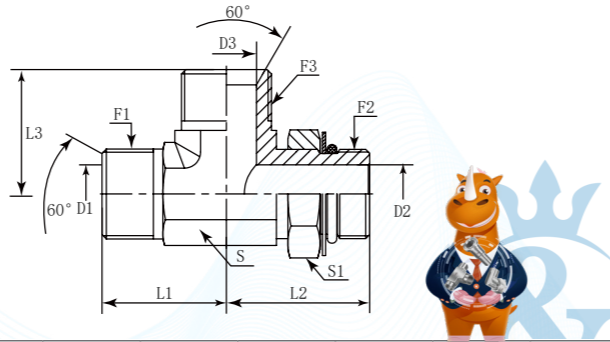
<b>D</b>	<b>A</b>	<b>BP</b>	<b>M</b>	<b>L</b>	<b>52</b>	<b>5</b>
Company	Product Range	Thread Types	Connection Type	Adaptor Structure	Thread Types	Connection Type
<b>DME</b>	Adaptor	BSPP	Male	Run Tee	Metric	Male + O Ring

German Technology Equipment

**SHIELD FLEX**

New-Standard

- DME&JDE Code: **DABPML525**
- Product Type: **Hydraulic adaptor**
- Standard: **BSP**
- Structure: **Run Tee**
- Connection Type: **Adjustable Male x Male x Male**
- Thread Types: **BSPP 60° x Metric x BSPP 60°**
- Sealing Method: **O Ring**



PART NUMBER	F1 (Thread)	F2 (Thread)	F3 (Thread)	L1	L2	L3	D1	D2	D3	S	S1
#	BSPP	METRIC	BSPP	mm	mm	mm	mm	mm	mm	mm	mm
DABPML525-0210	1/8"-28	M10X1	1/8"-28	22.00	27.00	22.00	3.50	4.50	3.50	11	14
DABPML525-0212	1/8"-28	M12X1.5	1/8"-28	24.00	31.50	24.00	3.50	6.00	3.50	14	17
DABPML525-0412	1/4"-19	M12X1.5	1/4"-19	27.00	31.50	27.00	4.70	6.00	4.70	14	17
DABPML525-0414	1/4"-19	M14X1.5	1/4"-19	27.00	31.50	27.00	4.70	7.50	4.70	14	19
DABPML525-0416	1/4"-19	M16X1.5	1/4"-19	28.00	37.00	28.00	4.70	9.00	4.70	19	22
DABPML525-0614	3/8"-19	M14X1.5	3/8"-19	29.00	34.00	29.00	7.90	7.50	7.90	14	19
DABPML525-0616	3/8"-19	M16X1.5	3/8"-19	29.00	37.00	29.00	7.90	9.00	7.90	19	22
DABPML525-0618	3/8"-19	M18X1.5	3/8"-19	29.00	38.00	29.00	7.90	11.00	7.90	19	24
DABPML525-0816	1/2"-14	M16X1.5	1/2"-14	34.00	40.00	34.00	11.10	7.00	11.10	22	22
DABPML525-0818	1/2"-14	M18X1.5	1/2"-14	34.00	41.00	34.00	11.10	11.00	11.10	22	24
DABPML525-0820	1/2"-14	M20X1.5	1/2"-14	34.00	43.00	34.00	11.10	12.50	11.10	22	27
DABPML525-0822	1/2"-14	M22X1.5	1/2"-14	34.00	43.00	34.00	11.10	14.00	11.10	22	27
DABPML525-1022	5/8"-14	M22X1.5	5/8"-14	37.00	46.00	37.00	14.30	14.00	14.30	22	27
DABPML525-1222	3/4"-14	M22X1.5	3/4"-14	41.00	46.00	41.00	16.70	14.00	16.70	27	27
DABPML525-1226	3/4"-14	M26X1.5	3/4"-14	41.00	50.00	41.00	16.70	17.00	16.70	27	32
DABPML525-1227	3/4"-14	M27X2	3/4"-14	41.00	50.00	41.00	16.70	18.00	16.70	27	32
DABPML525-1627	1"-11	M27X2	1"-11	46.00	52.00	46.00	22.20	18.00	22.20	33	32
DABPML525-1633	1"-11	M33X2	1"-11	46.00	53.00	46.00	22.20	23.00	22.20	33	41
DABPML525-2042	1-1/4"-11	M42X2	1-1/4"-11	51.00	58.00	51.00	28.60	30.00	28.60	41	50
DABPML525-2448	1-1/2"-11	M48X2	1-1/2"-11	59.00	67.00	59.00	33.30	36.00	33.30	48	55

# DABPMT181

Branch Tee Connector BSPP Swivel Female 60° - BSPP Swivel Female 60° - BSPP Male 60°

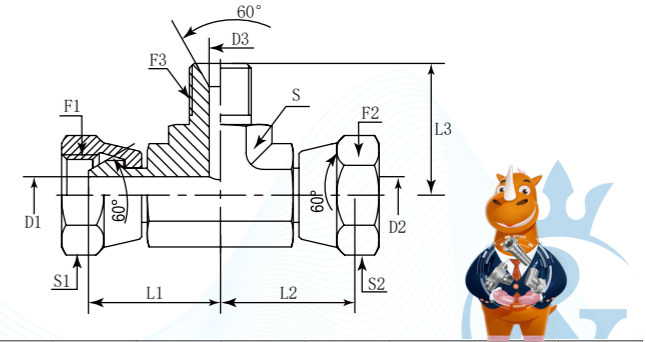
<b>D</b>	<b>A</b>	<b>BP</b>	<b>M</b>	<b>T</b>	<b>1</b>	<b>81</b>
Company	Product Range	Thread Types	Connection Type	Adaptor Structure	Connection Type	Connection Type
<b>DME</b>	Adaptor	BSPP	Male	Branch Tee	Swivel Female	BSPP Swivel Female

German Technology Equipment

**SHIELD FLEX**

New-Standard

- DME&JDE Code: **DABPMT181**
- Product Type: **Hydraulic adaptor**
- Standard: **BSP**
- Structure: **Branch Tee**
- Connection Type: **Swivel Female x Swivel Female x Male**
- Thread Types: **BSPP 60° x BSPP 60° x BSPP 60°**



PART NUMBER	F1 (Thread)	F2 (Thread)	F3 (Thread)	D1	D2	D3	L1	L2	L3	S	S1	S2
#	BSPP	BSPP	BSPP	mm	mm	mm	mm	mm	mm	mm	mm	mm
DABPMT181-0202	1/8"-28	1/8"-28	1/8"-28	3.50	3.50	3.50	22.50	22.50	22.50	11	14	14
DABPMT181-0404	1/4"-19	1/4"-19	1/4"-19	4.70	4.70	4.70	24.00	24.00	27.00	14	19	19
DABPMT181-0606	3/8"-19	3/8"-19	3/8"-19	7.90	7.90	7.90	28.20	28.20	29.00	19	22	22
DABPMT181-0808	1/2"-14	1/2"-14	1/2"-14	11.10	11.10	11.10	33.60	33.60	35.00	22	27	27
DABPMT181-1010	5/8"-14	5/8"-14	5/8"-14	14.30	14.30	14.30	35.00	35.00	37.00	27	30	30
DABPMT181-1212	3/4"-14	3/4"-14	3/4"-14	16.70	16.70	16.70	37.90	37.90	43.00	27	32	32
DABPMT181-1616	1"-11	1"-11	1"-11	22.20	22.20	22.20	45.40	45.40	47.00	33	41	41
DABPMT181-2020	1-1/4"-11	1-1/4"-11	1-1/4"-11	26.00	26.00	26.00	50.00	50.00	52.30	41	50	50



## DABPML05T

Run Bulkhead Tee BSPP Male 60° - BSPP Male 60°

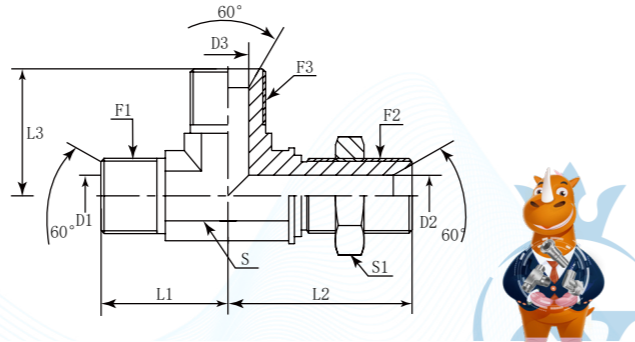
<b>D</b>	<b>A</b>	<b>BP</b>	<b>M</b>	<b>L</b>	<b>05</b>	<b>T</b>
Company	Product Range	Thread Types	Connection Type	Adaptor Structure	Thread Types	Connection Type
<b>DME</b>	Adaptor	BSPP	Male	Run Tee	BSPP	Bulkhead Male

German Technology Equipment

**SHIELD FLEX**

New-Standard

- DME&JDE Code: **DABPML05T**
- Product Type: **Hydraulic adaptor**
- Standard: **BSP**
- Structure: **Run Tee**
- Connection Type: **Male x Male x Male**
- Thread Types: **BSPP 60° x BSPP 60° x BSPP 60°**
- Other Features: **Bulkhead**



PART NUMBER	F1 (Thread)	F2 (Thread)	F3 (Thread)	L1	L2	L3	D1	D2	D3	S	S1
#	BSPP	BSPP	BSPP	mm	mm	mm	mm	mm	mm	mm	mm
DABPML05T-0202	1/8"-28	1/8"-28	1/8"-28	20.00	37.00	20.00	3.50	3.50	3.50	11	14
DABPML05T-0404	1/4"-19	1/4"-19	1/4"-19	26.00	44.00	26.00	4.70	4.70	4.70	14	19
DABPML05T-0606	3/8"-19	3/8"-19	3/8"-19	30.00	49.00	30.00	7.90	7.90	7.90	19	22
DABPML05T-0808	1/2"-14	1/2"-14	1/2"-14	34.00	55.00	34.00	11.10	11.10	11.10	22	27
DABPML05T-1010	5/8"-14	5/8"-14	5/8"-14	38.00	59.00	38.00	14.30	14.30	14.30	22	32
DABPML05T-1212	1/2"-14	1/2"-14	1/2"-14	42.00	63.00	42.00	16.70	16.70	16.70	27	32
DABPML05T-1616	1"-11	1"-11	1"-11	47.00	69.00	47.00	22.20	22.20	22.20	33	41
DABPML05T-2020	1-1/4"-11	1-1/4"-11	1-1/4"-11	52.00	77.00	52.00	28.60	28.60	28.60	41	50
DABPML05T-2424	1-1/2"-11	1-1/2"-11	1-1/2"-11	60.00	87.00	60.00	33.30	33.30	33.30	48	55
DABPML05T-3232	2"-11	2"-11	2"-11	64.00	97.00	64.00	46.00	46.00	46.00	65	70

## DABTMT07M

Branch Tee Connector BSPT Male 60° - BSPT Male 60°

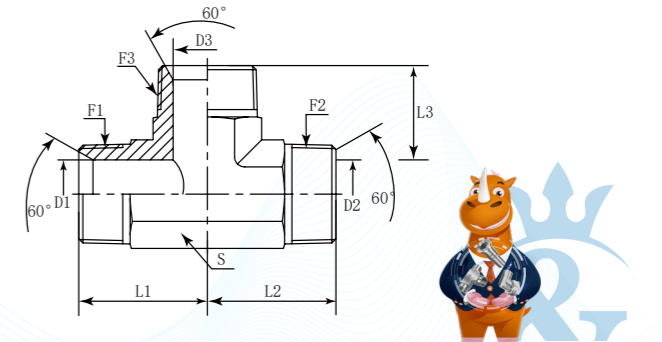
<b>D</b>	<b>A</b>	<b>BT</b>	<b>M</b>	<b>T</b>	<b>07</b>	<b>M</b>
Company	Product Range	Thread Types	Connection Type	Adaptor Structure	Thread Types	Connection Type
<b>DME</b>	Adaptor	BSPT	Male	Branch Tee	BSPT	Male

German Technology Equipment

**SHIELD FLEX**

New-Standard

- DME&JDE Code: **DABTMT07M**
- Product Type: **Hydraulic adaptor**
- Standard: **BSP**
- Structure: **Branch Tee**
- Connection Type: **Male x Male x Male**
- Thread Types: **BSPT 60° x BSPT 60° x BSPT 60°**



PART NUMBER	F1 (Thread)	F2 (Thread)	F3 (Thread)	D1	D2	D3	L1	L2	L3	S
#	BSPT	BSPT	BSPT	mm	mm	mm	mm	mm	mm	mm
DABTMT07M-0202	1/8"-28	1/8"-28	1/8"-28	4.50	4.50	4.50	21.00	21.00	21.00	11
DABTMT07M-0404	1/4"-19	1/4"-19	1/4"-19	6.00	6.00	6.00	25.50	25.50	25.50	14
DABTMT07M-0606	3/8"-19	3/8"-19	3/8"-19	9.00	9.00	9.00	28.50	28.50	28.50	19
DABTMT07M-0808	1/2"-14	1/2"-14	1/2"-14	12.00	12.00	12.00	36.00	36.00	36.00	22
DABTMT07M-1212	3/4"-14	3/4"-14	3/4"-14	16.70	16.70	16.70	40.00	40.00	40.00	27
DABTMT07M-1616	1"-11	1"-11	1"-11	22.20	22.20	22.20	50.00	50.00	50.00	33
DABTMT07M-2020	1-1/4"-11	1-1/4"-11	1-1/4"-11	28.60	28.60	28.60	57.50	57.50	57.50	41
DABTMT07M-2424	1-1/2"-11	1-1/2"-11	1-1/2"-11	33.30	33.30	33.30	59.20	59.20	59.20	47.63
DABTMT07M-3232	2"-11	2"-11	2"-11	46.00	46.00	46.00	75.00	75.00	75.00	63



## DABTFT07F

Tee Connector BSPT Fixed Female - BSPT Fixed Female

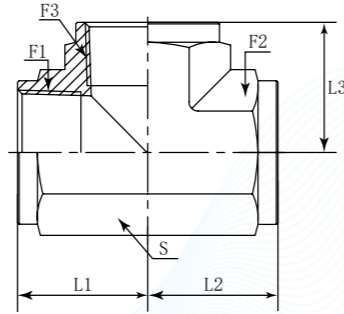
<b>D</b>	<b>A</b>	<b>BT</b>	<b>F</b>	<b>T</b>	<b>07</b>	<b>F</b>
Company	Product Range	Thread Types	Connection Type	Adaptor Structure	Thread Types	Connection Type
<b>DME</b>	Adaptor	BSPT	Female	Tee	BSPT	Female

German Technology Equipment

**SHIELD FLEX**

New-Standard

- DME&JDE Code: **DABTFT07F**
- Product Type: **Hydraulic adaptor**
- Adaptor Standard: **BSP**
- Adaptor structure: **Tee**
- Adaptor Connection Type: **Fixed Female x Fixed Female**
- Thread Types: **BSPT x BSPT**



PART NUMBER	F1 (Thread)	F2 (Thread)	F3 (Thread)	L1	L2	L3	S
#	BSPT	BSPT	BSPT	mm	mm	mm	mm
DABTFT07F-0202	1/8"-28	1/8"-28	1/8"-28	20.00	20.00	20.00	14
DABTFT07F-0404	1/4"-19	1/4"-19	1/4"-19	22.50	22.50	22.50	19
DABTFT07F-0606	3/8"-19	3/8"-19	3/8"-19	26.00	26.00	26.00	22
DABTFT07F-0808	1/2"-14	1/2"-14	1/2"-14	31.20	31.20	31.20	27
DABTFT07F-1212	3/4"-14	3/4"-14	3/4"-14	34.50	34.50	34.50	33
DABTFT07F-1616	1"-11	1"-11	1"-11	41.20	41.20	41.20	41
DABTFT07F-2020	1-1/4"-11	1-1/4"-11	1-1/4"-11	43.20	43.20	43.20	48
DABTFT07F-2424	1-1/2"-11	1-1/2"-11	1-1/2"-11	53.00	53.00	53.00	65
DABTFT07F-3232	2"-11	2"-11	2"-11	62.00	62.00	62.00	71

## DABTML081

Run Tee Connector BSPT Male 60° - BSPP Swivel Female 60°

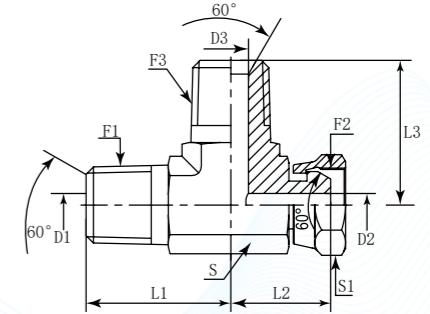
<b>D</b>	<b>A</b>	<b>BT</b>	<b>M</b>	<b>L</b>	<b>081</b>
Company	Product Range	Thread Types	Connection Type	Adaptor Structure	Connection Type
<b>DME</b>	Adaptor	BSPT	Male	Run Tee	Swivel Female

German Technology Equipment

**SHIELD FLEX**

New-Standard

- DME&JDE Code: **DABTML081**
- Product Type: **Hydraulic adaptor**
- Standard: **BSP**
- Structure: **Run Tee**
- Connection Type: **Male x Swivel Female x Male**
- Thread Types: **BSPT 60° x BSPP 60° x BSPT 60°**



PART NUMBER	F1 (Thread)	F2 (Thread)	F3 (Thread)	D1	D2	D3	L1	L2	L3	S	S1
#	BSPT	BSPP	BSPT	mm	mm	mm	mm	mm	mm	mm	mm
DABTML081-0202	1/8"-28	1/8"-28	1/8"-28	4.50	3.50	4.50	20.00	18.00	20.00	11	14
DABTML081-0404	1/4"-19	1/4"-19	1/4"-19	6.00	4.70	6.00	25.00	21.60	25.00	14	19
DABTML081-0606	3/8"-19	3/8"-19	3/8"-19	9.00	7.90	9.00	28.50	25.60	28.50	19	22
DABTML081-0808	1/2"-14	1/2"-14	1/2"-14	12.00	11.10	12.00	36.00	30.00	36.00	22	27
DABTML081-1212	3/4"-14	3/4"-14	3/4"-14	16.70	16.70	16.70	40.40	35.30	40.40	27	32
DABTML081-1616	1"-11	1"-11	1"-11	22.20	22.20	22.20	50.00	45.50	50.00	33	41
DABTML081-2020	1-1/4"-11	1-1/4"-11	1-1/4"-11	28.60	28.00	28.60	58.00	52.50	58.00	41	50
DABTML081-2424	1-1/2"-11	1-1/2"-11	1-1/2"-11	33.30	33.30	33.30	59.00	54.00	59.00	48	55
DABTML081-3232	2"-11	2"-11	2"-11	46.00	46.00	46.00	76.00	60.00	76.00	65	70



# DABTFL07M

Run Tee Adaptor BSPT Fixed Female – BSPT Male 60°

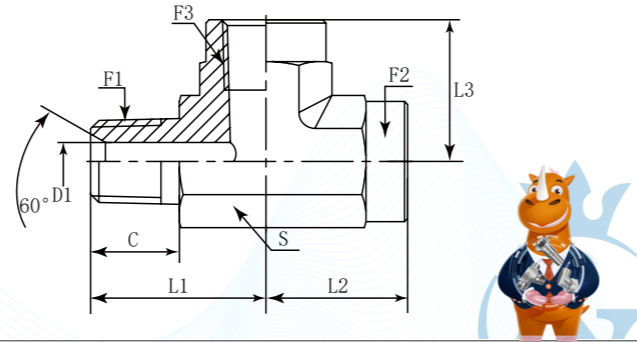
<b>D</b>	<b>A</b>	<b>BT</b>	<b>F</b>	<b>L</b>	<b>07</b>	<b>M</b>
Company	Product Range	Thread Types	Connection Type	Adaptor Structure	Thread Types	Connection Type
<b>DME</b>	Adaptor	BSPT	Female	Run Tee	BSPT	Male

German Technology Equipment

**SHIELD FLEX**

New-Standard

- DME&JDE Code: **DABTFL07M**
- Product Type: **Hydraulic adaptor**
- Standard: **BSP**
- Structure: **Run Tee**
- Connection Type: **Fixed Female x Male x Fixed Female**
- Thread Types: **BSPT 60° x BSPT x BSPT**



PART NUMBER	F1 (Thread)	F2 (Thread)	F3 (Thread)	C	D	L1	L2	L3	S
#	BSPT	BSPT	BSPT	mm	mm	mm	mm	mm	mm
DABTFL07M-0202	1/8"-28	1/8"-28	1/8"-28	10.00	4.50	16.80	16.80	19.80	14
DABTFL07M-0404	1/4"-19	1/4"-19	1/4"-19	14.00	6.00	27.70	22.40	27.70	19
DABTFL07M-0606	3/8"-19	3/8"-19	3/8"-19	15.00	9.00	26.00	26.00	31.00	22
DABTFL07M-0808	1/2"-14	1/2"-14	1/2"-14	19.00	12.00	31.20	31.20	37.40	27
DABTFL07M-1212	3/4"-14	3/4"-14	3/4"-14	20.00	16.70	34.50	34.50	40.40	33
DABTFL07M-1616	1"-11	1"-11	1"-11	24.00	22.20	41.20	41.20	50.00	41
DABTFL07M-2020	1-1/4"-11	1-1/4"-11	1-1/4"-11	25.00	28.60	43.20	43.20	60.50	48

# DABPMX05M

Cross Connector BSPP Male 60° - BSPP Male 60°

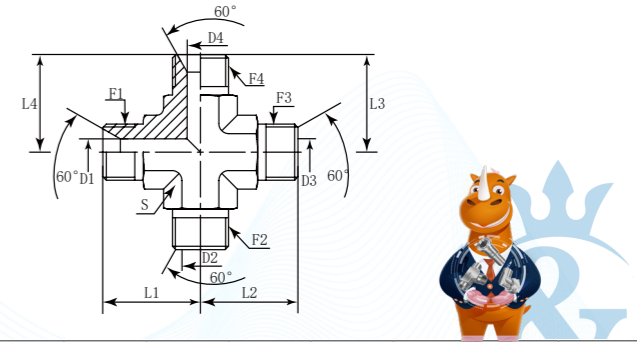
<b>D</b>	<b>A</b>	<b>BP</b>	<b>M</b>	<b>X</b>	<b>05</b>	<b>M</b>
Company	Product Range	Thread Types	Connection Type	Adaptor Structure	Thread Types	Connection Type
<b>DME</b>	Adaptor	BSPP	Male	Cross	BSPP	Male

German Technology Equipment

**SHIELD FLEX**

New-Standard

- DME&JDE Code: **DABPMX05M**
- Product Type: **Hydraulic adaptor**
- Standard: **BSP**
- Structure: **Cross**
- Connection Type: **Male x Male x Male x Male**
- Thread Types: **BSPP 60° x BSPP 60° x BSPP 60° x BSPP 60°**



PART NUMBER	F1 (Thread)	F2 (Thread)	F3 (Thread)	F4 (Thread)	L1	L2	L3	L4	D1	D2	D3	D4	S
#	BSPP	BSPP	BSPP	BSPP	mm	mm	mm	mm	mm	mm	mm	mm	mm
DABPMX05M-0404	1/4"-19	1/4"-19	1/4"-19	1/4"-19	26.00	26.00	26.00	26.00	4.70	4.70	4.70	4.70	14
DABPMX05M-0606	3/8"-19	3/8"-19	3/8"-19	3/8"-19	30.00	30.00	30.00	30.00	7.90	7.90	7.90	7.90	19
DABPMX05M-0808	1/2"-14	1/2"-14	1/2"-14	1/2"-14	35.00	35.00	35.00	35.00	11.10	11.10	11.10	11.10	22
DABPMX05M-1212	3/4"-14	3/4"-14	3/4"-14	3/4"-14	42.00	42.00	42.00	42.00	16.70	16.70	16.70	16.70	27
DABPMX05M-1616	1"-11	1"-11	1"-11	1"-11	50.00	50.00	50.00	50.00	22.00	22.00	22.00	22.00	33





## DABPFX05F

Cross Connector BSPP Fixed Female

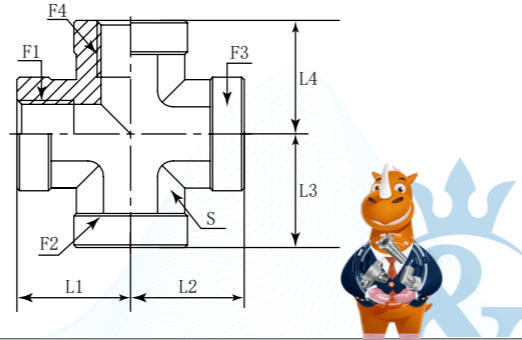
<b>D</b>	<b>A</b>	<b>BP</b>	<b>F</b>	<b>X</b>	<b>05</b>	<b>F</b>
Company	Product Range	Thread Types	Connection Type	Adaptor Structure	Thread Types	Connection Type
<b>DME</b>	Adaptor	BSPP	Female	Cross	BSPP	Female

German Technology Equipment

**SHIELD FLEX**

New-Standard

- DME&JDE Code: **DABPFX05F**
- Product Type: **Hydraulic adaptor**
- Standard: **BSP**
- Structure: **Cross**
- Connection Type: **Fixed Female x Fixed Female x Fixed Female x Fixed Female**
- Thread Types: **BSPP x BSPP x BSPP x BSPP**



PART NUMBER	F1 (Thread)	F2 (Thread)	F3 (Thread)	F4 (Thread)	L1	L2	L3	L4	S
#	BSPP	BSPP	BSPP	BSPP	mm	mm	mm	mm	mm
DABPFX05F-0202	1/8"-28	1/8"-28	1/8"-28	1/8"-28	20.00	20.00	20.00	20.00	14
DABPFX05F-0404	1/4"-19	1/4"-19	1/4"-19	1/4"-19	22.00	22.00	22.00	22.00	19
DABPFX05F-0606	3/8"-19	3/8"-19	3/8"-19	3/8"-19	26.00	26.00	26.00	26.00	22
DABPFX05F-0808	1/2"-14	1/2"-14	1/2"-14	1/2"-14	32.00	32.00	32.00	32.00	27
DABPFX05F-1212	3/4"-14	3/4"-14	3/4"-14	3/4"-14	36.00	36.00	36.00	36.00	33
DABPFX05F-1616	1"-11	1"-11	1"-11	1"-11	41.50	41.50	41.50	41.50	41

## DABPX081

Cross Connector BSPP Swivel Female 60° Cone

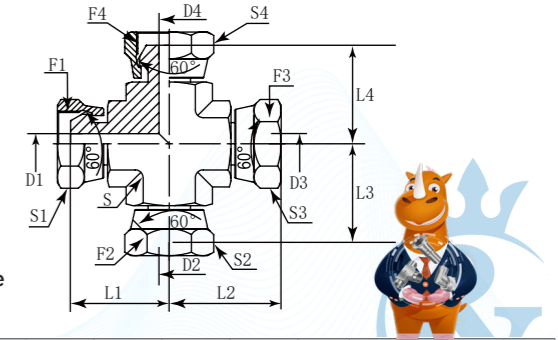
<b>D</b>	<b>A</b>	<b>BP</b>	<b>1</b>	<b>X</b>	<b>081</b>
Company	Product Range	Thread Types	Connection Type	Adaptor Structure	Connection Type
<b>DME</b>	Adaptor	BSPP	Swivel Female	Cross	BSPP Swivel Female

German Technology Equipment

**SHIELD FLEX**

New-Standard

- DME&JDE Code: **DABPX081**
- Product Type: **Hydraulic adaptor**
- Standard: **BSP**
- Structure: **Cross**
- Connection Type: **Swivel Female x Swivel Female x Swivel Female x Swivel Female**
- Thread Types: **BSPP 60° Cone x BSPP 60° Cone x BSPP 60° Cone x BSPP 60° Cone**



PART NUMBER	F1 (Thread)	F2 (Thread)	F3 (Thread)	F4 (Thread)	D1	D2	D3	D4	L1	L2	L3	L4	S	S1	S2	S3	S4
#	BSPP	BSPP	BSPP	BSPP	mm	mm	mm	mm	mm	mm	mm	mm	mm	mm	mm	mm	mm
DABPX081-0202	1/8"-28	1/8"-28	1/8"-28	1/8"-28	3.50	3.50	3.50	3.50	20.00	20.00	20.00	20.00	11	14	14	14	14
DABPX081-0404	1/4"-19	1/4"-19	1/4"-19	1/4"-19	7.20	7.20	7.20	7.20	26.00	26.00	26.00	26.00	14	19	19	19	19
DABPX081-0606	3/8"-19	3/8"-19	3/8"-19	3/8"-19	7.90	7.90	7.90	7.90	27.20	27.20	27.20	27.20	19	22	22	22	22
DABPX081-0808	1/2"-14	1/2"-14	1/2"-14	1/2"-14	11.10	11.10	11.10	11.10	35.00	35.00	35.00	35.00	22	27	27	27	27
DABPX081-1010	5/8"-14	5/8"-14	5/8"-14	5/8"-14	14.30	14.30	14.30	14.30	38.00	38.00	38.00	38.00	24	30	30	30	30
DABPX081-1212	3/4"-14	3/4"-14	3/4"-14	3/4"-14	16.70	16.70	16.70	16.70	42.00	42.00	42.00	42.00	27	32	32	32	32
DABPX081-1616	1"-11	1"-11	1"-11	1"-11	22.20	22.20	22.20	22.20	44.00	44.00	44.00	44.00	33	41	41	41	41
DABPX081-2020	1-1/4"-11	1-1/4"-11	1-1/4"-11	1-1/4"-11	28.60	28.60	28.60	28.60	49.00	49.00	49.00	49.00	41	50	50	50	50
DABPX081-2424	1-1/2"-11	1-1/2"-11	1-1/2"-11	1-1/2"-11	33.30	33.30	33.30	33.30	61.00	61.00	61.00	61.00	48	55	55	55	55
DABPX081-3232	2"-11	2"-11	2"-11	2"-11	46.00	46.00	46.00	46.00	68.00	68.00	68.00	68.00	65	70	70	70	70





# Hydraulic Adaptors

## JIC and SAE ORB »



<p><b>DAJCD0000</b> P194</p> <p>JIC Tube Nut</p>	<p><b>DAJCR0000</b> P195</p> <p>JIC Sleeve For Inch/Metric Tube</p>	<p><b>DAJCM125M</b> P196</p> <p>JIC Sleeve For Inch/Metric Tube</p>	<p><b>DAJCM125M-LH</b> P198</p> <p>Straight Connector JIC Male - JIC Male Large Hexagon</p>
<p><b>DAJCM1305</b> P199</p> <p>Straight Connector JIC Male - SAE Male + O Ring</p>	<p><b>DAJCM106Q</b> P202</p> <p>Straight JIC Male - BSPP Male + Retaining Ring + O Ring Seal</p>	<p><b>DAJCM1065</b> P204</p> <p>Straight Connector JIC Male - BSPP Male + O Ring Seal</p>	<p><b>DAJCM152Q</b> P206</p> <p>Straight JIC Male - Metric Male + Retaining Ring + O Ring Seal</p>
<p><b>DAJCM1525</b> P208</p> <p>Straight Connector JIC Male - Metric Male + O Ring Seal</p>	<p><b>DAJCM106I</b> P210</p> <p>Straight Connector JIC Male - BSPP 60° Male with ED Ring</p>	<p><b>DAJCM152I</b> P212</p> <p>Straight Connector JIC Male - Metric Male with ED Ring</p>	<p><b>DAJCM122M</b> P214</p> <p>Straight Connector JIC Male - SAE Male Inverted Flare</p>
<p><b>DAJCM152M</b> P215</p> <p>Straight Connector JIC Male Cone - Metric Male 60° Cone</p>	<p><b>DAJCM105M</b> P216</p> <p>Straight Connector JIC Male - BSPP 60° Male</p>	<p><b>DAJCM107M</b> P218</p> <p>Straight Connector JIC Male - BSPT Male 60°</p>	<p><b>DAJCM128M</b> P220</p> <p>Straight Connector JIC Male - NPTF Male 60°</p>

Web: <https://www.dmejde.com>  
E-mail: [info@dmejde.com](mailto:info@dmejde.com)



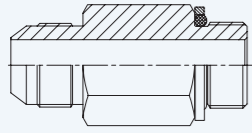


<p><b>DAJCM152JM</b> P223</p> <p>Straight Connector JIC Male - JIS Metric Male 60°</p>	<p><b>DAJCM105JM</b> P224</p> <p>Straight Connector JIC Male - JIS BSPP Male 60°</p>	<p><b>DAJCM105F</b> P225</p> <p>Straight Connector JIC Male - BSPP Female 60°</p>	<p><b>DAJCM107F</b> P226</p> <p>Straight Connector JIC Male - BSPT Female</p>
<p><b>DAJCM152F</b> P227</p> <p>Straight Connector JIC Male - Metric Fixed Female</p>	<p><b>DAJCM105JF</b> P228</p> <p>Straight Connector JIC Male - JIS BSPP Fixed Female</p>	<p><b>DAJCM152JF</b> P229</p> <p>Straight Connector JIC Male - JIS Metric Female</p>	<p><b>DAJCM128F</b> P230</p> <p>Straight Connector JIC Male - NPTF Female</p>
<p><b>DAJCT128F</b> P232</p> <p>Straight Connector Bulkhead JIC Male - NPTF Female</p>	<p><b>DAJCM1251</b> P233</p> <p>Straight Connector JIC Male - JIC Swivel Female</p>	<p><b>DAJCM1081</b> P235</p> <p>Straight Connector JIC Male - BSPP Swivel Female 60° Cone</p>	<p><b>DAJCM1106Q</b> P236</p> <p>Straight JIC Swivel Female - BSPP Male + Retaining Ring + O Ring</p>
<p><b>DAJCM1106S</b> P237</p> <p>Straight Connector JIC Swivel Female - BSPP Male + O Ring</p>	<p><b>DAJCM11061</b> P238</p> <p>Straight Connector JIC Swivel Female - BSPP Male 60° with ED Seal</p>	<p><b>DAJCM1152Q</b> P239</p> <p>Straight JIC Swivel Female - Metric Male + Retaining Ring + O Ring</p>	<p><b>DAJCM1130S</b> P240</p> <p>Straight Connector JIC Swivel Female - SAE Male + O Ring</p>

<p><b>DAJCM1152S</b> P242</p> <p>Straight Connector JIC Swivel Female - Metric Male + O Ring</p>	<p><b>DAJCM1128M</b> P243</p> <p>Straight Connector JIC Swivel Female - NPTF Male 60°</p>	<p><b>DAJCM1107M</b> P245</p> <p>Straight Connector JIC Swivel Female - BSPT Male 60°</p>	<p><b>DAJCM1125M</b> P246</p> <p>Straight Connector JIC Fixed Female - JIC Male</p>
<p><b>DAJCM3125M</b> P249</p> <p>Straight Connector JIC Swivel Female - JIC Male</p>	<p><b>DAJCM11251</b> P251</p> <p>Straight Connector JIC Fixed Female - JIC Swivel Female</p>	<p><b>DAJCM11251</b> P252</p> <p>Straight Connector JIC Swivel Female - JIC Swivel Female</p>	<p><b>DAJCM1128F</b> P253</p> <p>Straight Connector JIC Swivel Female - NPTF Female</p>
<p><b>DAJCM1105F</b> P254</p> <p>Straight Connector JIC Swivel Female - BSPP Fixed Female</p>	<p><b>DAJCM1105F</b> P255</p> <p>Straight Coupling JIC Fixed Female - BSPP Fixed Female</p>	<p><b>DAJCM1100B</b> P256</p> <p>Straight Connector JIC Female Swivel - Imperial/Metric Tube</p>	<p><b>DAJCM11000</b> P257</p> <p>Male Plug JIC</p>
<p><b>DAJCM1100B</b> P258</p> <p>Straight Bonding(Socket Welding) Connector JIC Male - Imperial/Metric Tube</p>	<p><b>DAJCM31000</b> P260</p> <p>JIC Female Cap</p>	<p><b>DAJCM31000-C</b> P261</p> <p>JIC Female Cap</p>	<p><b>DAJCM1130J</b> P262</p> <p>Straight Long Connector JIC Male - SAE Male + O Ring</p>

**DAJCM152Y**

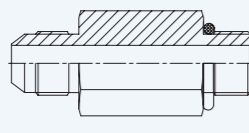
P264



Long Connector JIC Male - Metric Male + Retaining Ring + O Ring

**DAJCM152J**

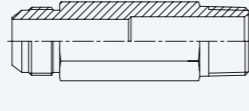
P265



Straight Long Connector JIC Male - Metric Male + O Ring

**DAJCM128P**

P266



Straight Long Connector JIC Male - NPTF Male 60°

**DAJCM128M-LL**

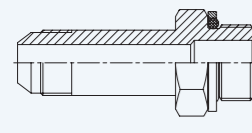
P267



Straight X-Long Connector JIC Male - NPTF Male 60°

**DAJCM106Y**

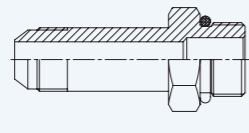
P268



Long Connector JIC Male - BSPP Male + Retaining Ring + O Ring

**DAJCM106J**

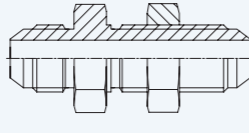
P269



Straight Long Connector JIC Male - BSPP Male + O Ring

**DAJCM125T**

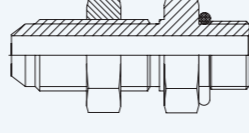
P270



Straight Connector Bulkhead JIC Male - JIC Male

**DAJCT130S**

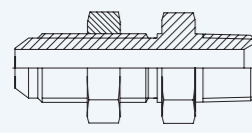
P271



Bulkhead Connector JIC Male Cone - SAE Male + O Ring

**DAJCT128M**

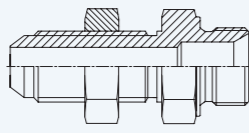
P272



Straight Connector Bulkhead JIC Male - NPTF Male 60°

**DAJCT105M**

P273



Straight Connector Bulkhead JIC Male Cone - BSPP Male 60°

**DAJCLN**

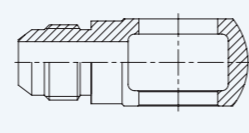
P274



JIC Bulkhead Nut

**MJ-BJM**

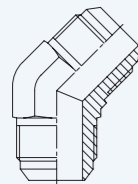
P275



Straight Connector JIC Male - Banjo UNF

**DAJCM425M**

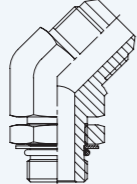
P276



45° Elbow JIC - JIC Male

**DAJCM430S**

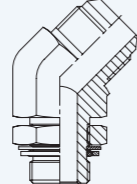
P277



45° Adjustable Elbow JIC Male - SAE Male + O Ring

**DAJCM406Q**

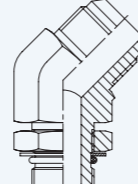
P279



45° Adjustable Elbow JIC Male - BSPP Male + O Ring + Retaining Ring

**DAJCM406S**

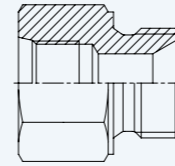
P280



45° Adjustable Elbow JIC Male - BSPP Male + O Ring

**DAUNF152M**

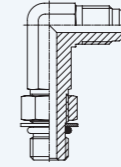
P281



Straight Connector SAE Female O Ring - Metric Male 60°

**DAJCM930P**

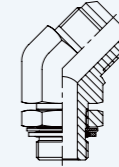
P282



90° Adjustable Long Elbow JIC Male - SAE Male + O Ring + Retaining Ring

**DAJCM452Q**

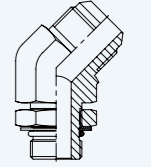
P283



45° Adjustable Elbow JIC Male - Metric Male + O Ring + Retaining Ring

**DAJCM452S**

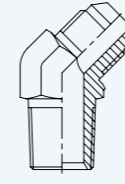
P284



45° Adjustable Elbow JIC Male - Metric Male + O Ring

**DAJCM428M**

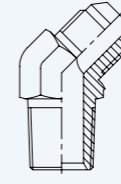
P285



45° Elbow Connector JIC Male - NPTF Male 60°

**DAJCM407M**

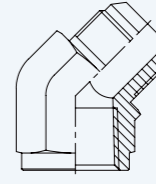
P287



45° Elbow Connector JIC Male - BSPT Male 60°

**DAJCM428F**

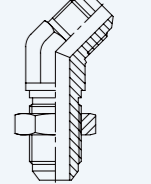
P288



45° Elbow Connector JIC Male - NPTF Female

**DAJCM425T**

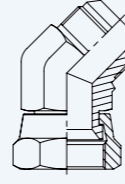
P289



45° Elbow Connector Bulkhead JIC Male - JIC Male

**DAJCM425I**

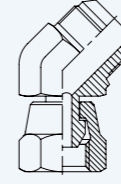
P290



45° Elbow Connector JIC Male - JIC Swivel Female

**DAJCM408I**

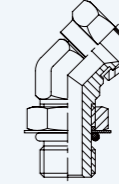
P291



45° Elbow Connector JIC Male - BSPP Swivel Female 60°

**DAJCM1430S**

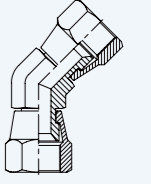
P292



45° Adjustable Elbow JIC Swivel Female - SAE Male O Ring

**DAJCM1425I**

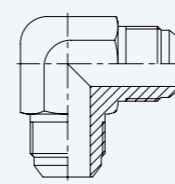
P293



45° Elbow Connector JIC Swivel Female - JIC Swivel Female

**DAJCM925M**

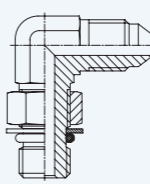
P294



90° Elbow Connector JIC Male - JIC Male

**DAJCM930S**

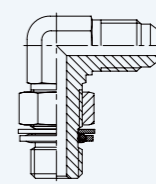
P295



90° Adjustable Elbow JIC Male - SAE Male + O Ring

**DAJCM906Q**

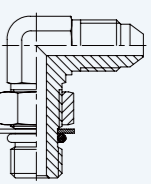
P298



90° Adjustable Elbow JIC Male - BSPP Male + O Ring + Retaining Ring

**DAJCM906S**

P299

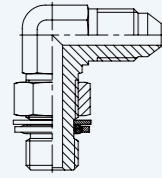


90° Adjustable Elbow JIC Male - BSPP Male + O Ring



**DAJCM952Q**

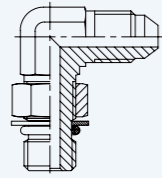
P300



90° Adjustable Elbow JIC Male - Metric Male + O Ring + Retaining Ring

**DAJCM952S**

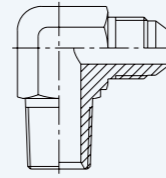
P301



90° Adjustable Elbow JIC Male - Metric Male + O Ring

**DAJCM928M**

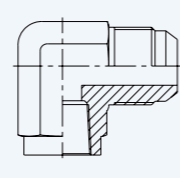
P302



90° Elbow Connector JIC Male - NPTF Male

**DAJCM928F**

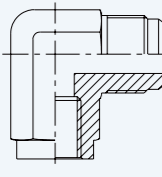
P305



90° Elbow Connector JIC Male - NPTF Female

**DAJCM905F**

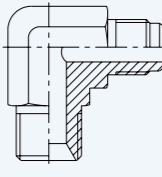
P307



90° Elbow Connector JIC Male - BSPP Fixed Female

**DAJCM905M**

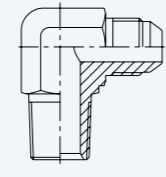
P308



90° Elbow Connector JIC Male - BSPP Male 60°

**DAJCM907M**

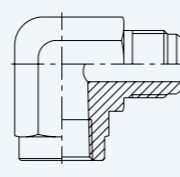
P309



90° Elbow Connector JIC Male - BSPT Male 60°

**DAJCM907F**

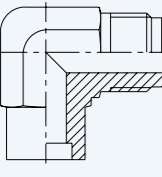
P311



90° Elbow Connector JIC Male - BSPT Female

**DAJCM900B**

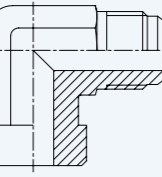
P312



90° Elbow Connector JIC Male - Butt-weld Tube

**DAJCM900S**

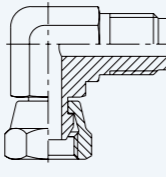
P313



90° Elbow Connector JIC Male - Braze Female

**DAJCM9081**

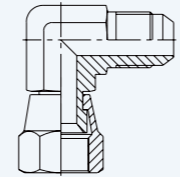
P314



90° Elbow Connector JIC Male - BSPP Swivel Female 60°

**DAJCM9251**

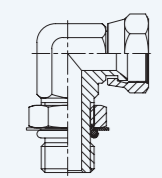
P315



90° Elbow Connector JIC Male - JIC Swivel Female

**DAJC19305**

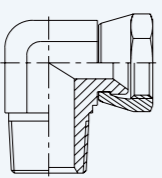
P317



90° Adjustable Elbow JIC Swivel Female - SAE Male O Ring

**DAJC1928M**

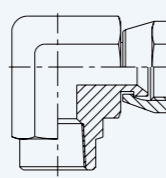
P318



90° Elbow Connector JIC Swivel Female - NPTF Male 60°

**DAJC1928F**

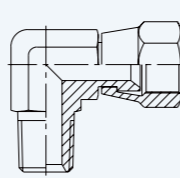
P319



90° Elbow Connector JIC Swivel Female - NPTF Female

**DAJC1907M**

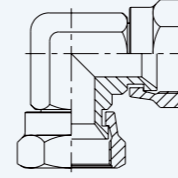
P320



90° Elbow JIC Swivel Female - BSPT Male 60°

**DAJC19251**

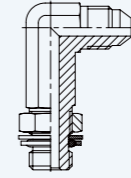
P321



90° Elbow Connector JIC Swivel Female - JIC Swivel Female

**DAJCM906Y**

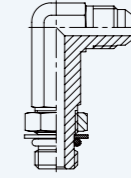
P322



90° Adjustable Long Elbow JIC Male - BSPP Male + O Ring + Retaining Ring

**DAJCM906J**

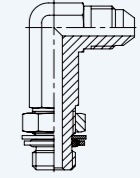
P323



90° Adjustable Long Elbow JIC Male - BSPP Male + O Ring

**DAJCM952Y**

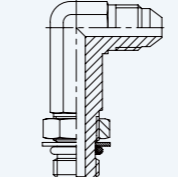
P324



90° Adjustable Long Elbow JIC Male - Metric Male + O Ring + Retaining Ring

**DAJCM952J**

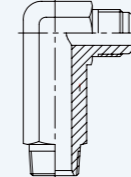
P325



90° Adjustable Long Elbow JIC Male - Metric Male + O Ring

**DAJCM928P**

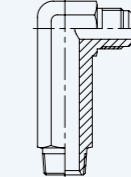
P326



90° Long Elbow Connector JIC Male - NPTF Male

**DAJCM9289**

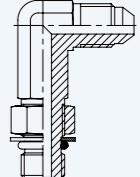
P327



90° Extra Long Elbow Connector JIC Male - NPTF Male

**DAJCM906P**

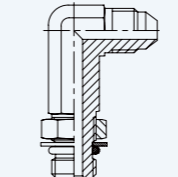
P328



90° Adjustable Long Elbow JIC Male - SAE Male + O Ring + Retaining Ring

**DAJCM930J**

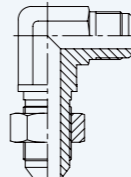
P329



90° Adjustable X-Long Elbow JIC Male - SAE Male + O Ring

**DAJCM925T**

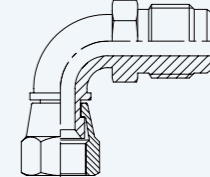
P330



90° Bulkhead Elbow Connector JIC Male - JIC Male

**DAJCM9251-B**

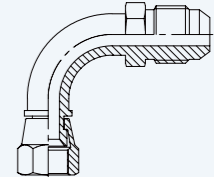
P331



90° Swept Elbow JIC Male - JIC Swivel Female

**DAJCM9251-L-B**

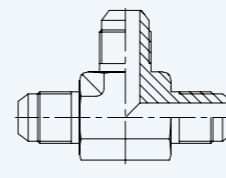
P332



90° Swept Elbow JIC Male - Long JIC Swivel Female

**DAJCMT25M**

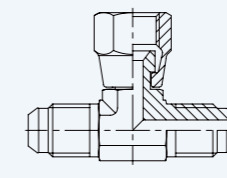
P333



Branch Tee Connector JIC Male - JIC Male

**DAJCMT251**

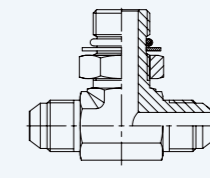
P335



Branch Tee Connector JIC Male - JIC Swivel Female

**DAJCMT305**

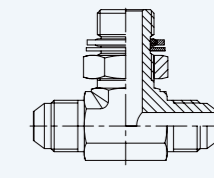
P336



Branch Adjustable Tee JIC Male - SAE Male O Ring

**DAJCMT06Q**

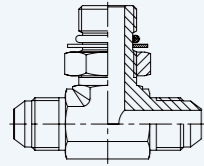
P338



Branch Adjustable Tee JIC Male - BSPP Male + O Ring + Retaining Ring

**DAJCMT065**

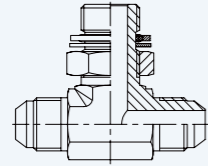
P339



Branch Adjustable Tee JIC Male - BSPP Male + O Ring

**DAJCMT52Q**

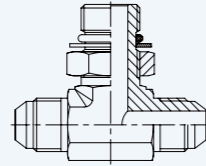
P340



Branch Adjustable Tee JIC Male - Metric Male + O Ring + Retaining Ring

**DAJCMT525**

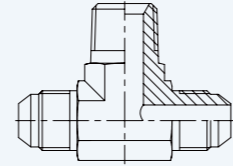
P341



Branch Adjustable Tee JIC Male - Metric Male + O Ring

**DAJCMT28M**

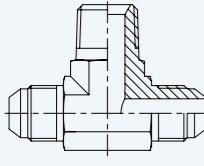
P342



Branch Tee Connector JIC Male - NPTF Male

**DAJCMT07M**

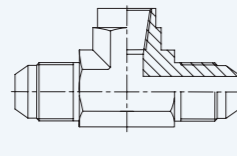
P344



Branch Tee Connector JIC Male - BSPT Male

**DAJCMT28F**

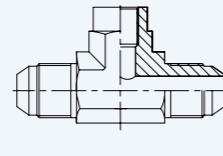
P345



Branch Tee Connector JIC Male - NPTF Female

**DAJCMT05F**

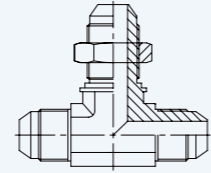
P347



Branch Tee Connector JIC Male - BSPP Fixed Female

**DAJCMT25T**

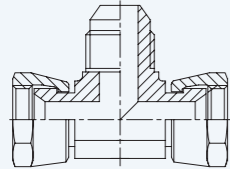
P348



Branch Bulkhead Tee Connector JIC Male - JIC Male

**DAJC1T25M**

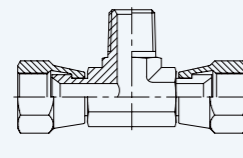
P349



Branch Tee Connector JIC Swivel Female - JIC Male

**DAJC1T28M**

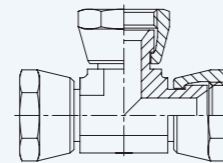
P350



Branch Tee Connector JIC Swivel Female - NPTF Male

**DAJC1T251**

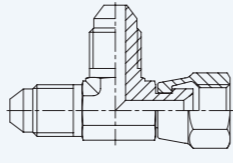
P351



Branch Tee Connector JIC Swivel Female - JIC Swivel Female

**DAJCML251**

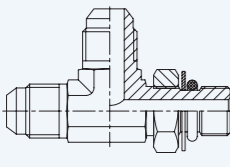
P352



Run Tee Connector JIC Male - JIC Swivel Female

**DAJCML305**

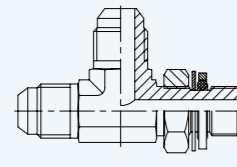
P354



Run Adjustable Tee JIC Male - SAE Male O Ring

**DAJCML06Q**

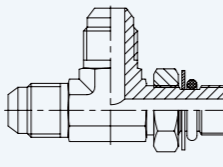
P356



Run Adjustable Tee JIC Male - BSPP Male + O Ring + Retaining Ring

**DAJCML065**

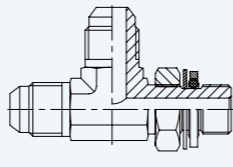
P357



Run Adjustable Tee JIC Male - BSPP Male + O Ring

**DAJCML52Q**

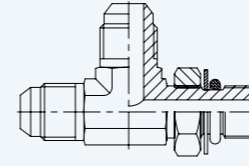
P358



Run Adjustable Tee JIC Male - Metric Male + O Ring + Retaining Ring

**DAJCML525**

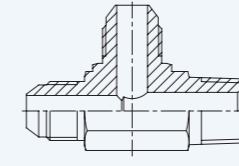
P359



Run Adjustable Tee JIC Male - Metric Male + O Ring

**DAJCML28M**

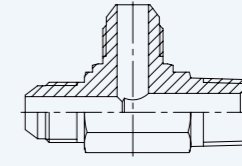
P360



Run Tee Connector JIC Male - NPTF Male

**DAJCML07M**

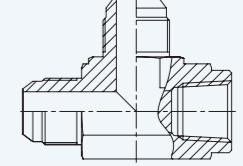
P362



Run Tee Connector JIC Male - BSPT Male

**DAJCML28F**

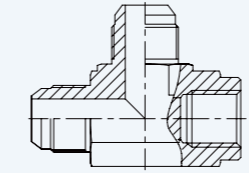
P363



Run Tee Connector JIC Male - NPTF Female

**DAJCML05F**

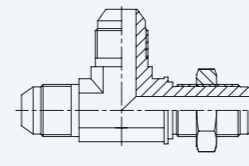
P365



Run Tee Connector JIC Male - BSPP Fixed Female

**DAJCML25T**

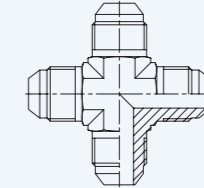
P366



Run Bulkhead Tee Connector JIC Male - JIC Male

**DAJCMX25M**

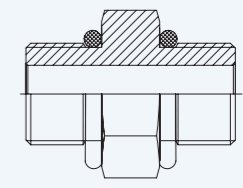
P367



Cross Connector JIC Male - JIC Male

**DAUNM1305**

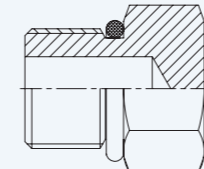
P368



Straight Connector SAE Male + O Ring - SAE Male + O Ring

**DAUNM1000**

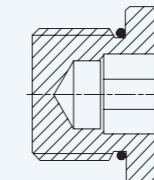
P369



Plug SAE Male O Ring

**DVSTI-UN**

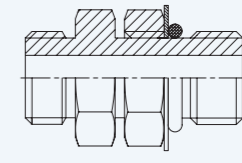
P370



Hexagon Socket SAE Male O Ring Plug

**DAUNM1305B**

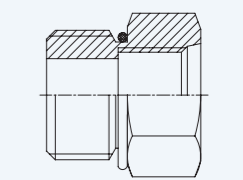
P371



Straight Adjustable Connector SAE Male - SAE Male + O Ring

**DAUNF1305**

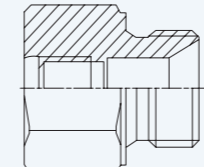
P373



Straight Connector SAE Female O Ring - SAE Male O Ring

**DAUNF105M**

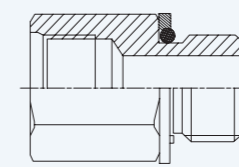
P376



Straight SAE Female O Ring - BSPP male 60° Cone

**DAUNF106Q**

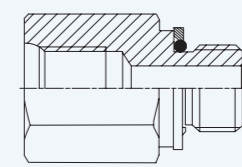
P377



Straight Connector SAE Female O Ring - BSPP Male + O Ring + Retaining Ring

**DAUNF152Q**

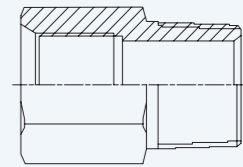
P378



Straight Connector SAE Female O Ring - Metric Male + O Ring + Retaining Ring

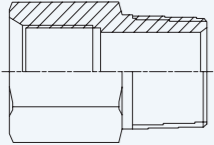
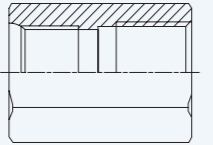
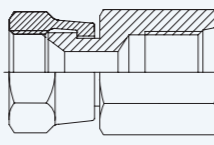
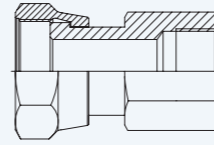
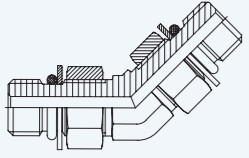
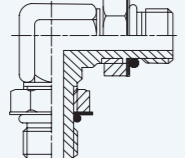
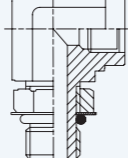
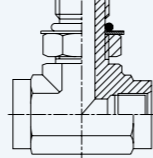
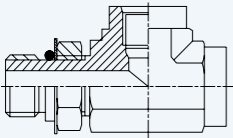
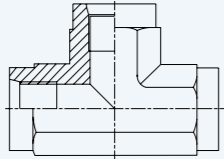
**DAUNF128M**

P379



Straight Connector SAE Female O Ring - NPTF 60° Male



<p><b>DAUNF130F</b> P381</p>  <p>Straight Connector SAE Female O Ring - SAE Female O Ring</p>	<p><b>DAUNF128F</b> P382</p>  <p>Straight Connector SAE Female O Ring - NPTF Female</p>	<p><b>DAUNF1251</b> P383</p>  <p>Straight Connector SAE Female O Ring - JIC Swivel Female 74°</p>	<p><b>DAUNF1241</b> P384</p>  <p>Straight Connector SAE Female O Ring - DRFS Swivel Female</p>
<p><b>DAUNM4305</b> P385</p>  <p>45° Adjustable Elbow SAE Male O Ring - SAE Male O Ring</p>	<p><b>DAUNM9305</b> P386</p>  <p>90° Adjustable Elbow SAE Male O Ring - SAE Male O Ring</p>	<p><b>DAUNF9305</b> P387</p>  <p>90° Adjustable Elbow SAE Solid Female - SAE Male + O Ring + Retaining Ring</p>	<p><b>DAUNFT305</b> P388</p>  <p>Branch Adjustable Tee SAE Female O Ring - SAE Male</p>
<p><b>DAUNFL305</b> P389</p>  <p>Run Adjustable Tee SAE Female O Ring - SAE Male + O Ring</p>	<p><b>DAUNFT30F</b> P390</p>  <p>Branch Tee Connector SAE Female O Ring - SAE Female O Ring</p>		

**DAJCD0000**

JIC Tube Nut

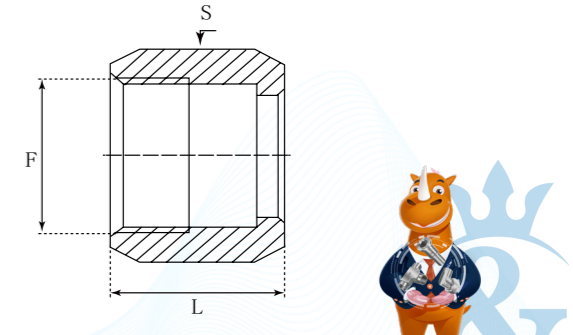
<b>D</b>	<b>A</b>	<b>JC</b>	<b>D</b>	<b>0</b>	<b>000</b>
Company <b>DME</b>	Product Range Adaptor	Thread Types JIC UNF	Sealing Type Welding	Compatible Type Tube	Other Features Nut/Plug

German Technology Equipment

**SHIELD FLEX**

New-Standard

- DME&JDE Code: **DAJCD0000**
- Product Type: **Hydraulic adaptor**
- Standard: **JIC and SAE-ORB**
- Thread Types: **UNF**
- Other Features: **Nut/Plug**



PART NUMBER	F (Thread)	L	S	Hex
#	UNF	mm	-	-
DAJCD0000-0200	5/16"-24	14.00	10 mm	Metric
DAJCD0000-0200IN	5/16"-24	14.00	3/8"	Imperial
DAJCD0000-0300	3/8"-24	15.49	11 mm	Metric
DAJCD0000-0300IN	3/8"-24	15.49	7/16"	Imperial
DAJCD0000-0400	7/16"-20	15.80	14 mm	Metric
DAJCD0000-0400IN	7/16"-20	15.80	9/16"	Imperial
DAJCD0000-0500	1/2"-20	17.30	17 mm	Metric
DAJCD0000-0500IN	1/2"-20	17.30	5/8"	Imperial
DAJCD0000-0600	9/16"-18	18.50	19 mm	Metric
DAJCD0000-0600IN	9/16"-18	18.50	11/16"	Imperial
DAJCD0000-0800	3/4"-16	21.60	22 mm	Metric
DAJCD0000-0800IN	3/4"-16	21.60	7/8"	Imperial
DAJCD0000-1000	7/8"-14	24.90	27 mm	Metric
DAJCD0000-1000IN	7/8"-14	24.90	1"	Imperial
DAJCD0000-1200	1-1/16"-12	26.20	32 mm	Metric
DAJCD0000-1200IN	1-1/16"-12	26.20	1-1/4"	Imperial
DAJCD0000-1400	1-3/16"-12	27.69	36 mm	Metric
DAJCD0000-1400IN	1-3/16"-12	27.69	1-3/8"	Imperial
DAJCD0000-1600	1-5/16"-12	28.70	41 mm	Metric
DAJCD0000-1600IN	1-5/16"-12	28.70	1-1/2"	Imperial
DAJCD0000-2000	1-5/8"-12	31.20	50 mm	Metric
DAJCD0000-2000IN	1-5/8"-12	31.20	2"	Imperial
DAJCD0000-2400	1-7/8"-12	36.10	60 mm	Metric
DAJCD0000-2400IN	1-7/8"-12	36.10	2-1/4"	Imperial
DAJCD0000-3200	2-1/2"-12	44.50	75 mm	Metric
DAJCD0000-3200IN	2-1/2"-12	44.50	2-7/8"	Imperial



Certificate:

## DAJCR0000

JIC Sleeve For Inch/Metric Tube

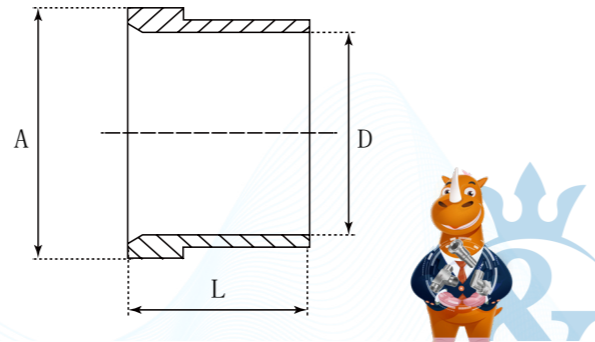
<b>D</b>	<b>A</b>	<b>JC</b>	<b>R</b>	<b>0</b>	<b>000</b>
Company	Product Range	Thread Types	Nut Type	Compatible Type	Other Features
<b>DME</b>	Adaptor	JIC UNF	Sleeve	Tube	Nut/Plug

German Technology Equipment

**SHIELD FLEX**

New-Standard

- DME&JDE Code: **DAJCR0000**
- Product Type: **Hydraulic adaptor**
- Standard: **JIC and SAE-ORB**
- Thread Types: **Metric**
- Other Features: **Nut/Plug**



PART NUMBER	Tube OD		A	D	L
	Metric (mm)	Inch			
#			mm	mm	mm
DAJCR0000-0303IN	-	1/5"	8.36	4.90	8.64
DAJCR0000-0305	05	-	8.36	4.90	8.64
DAJCR0000-0404IN	-	1/4"	9.73	6.48	10.40
DAJCR0000-0406	06	-	9.70	6.10	10.40
DAJCR0000-0505IN	-	5/16"	11.30	8.08	11.18
DAJCR0000-0508	08	-	11.30	8.10	11.18
DAJCR0000-0606IN	-	3/8"	12.75	9.65	12.70
DAJCR0000-0610	10	-	12.7	10.10	12.70
DAJCR0000-0808IN	-	1/2"	17.32	12.83	14.20
DAJCR0000-0812	12	-	17.32	12.10	14.20
DAJCR0000-1010IN	-	5/8"	20.20	16.03	16.80
DAJCR0000-1014	14	-	20.20	14.10	16.80
DAJCR0000-1212IN	-	3/4"	24.69	19.20	17.30
DAJCR0000-1218	18	-	24.10	18.10	17.30
DAJCR0000-1220	20	-	24.69	20.10	17.30
DAJCR0000-1414IN	-	7/8"	27.86	22.38	19.30
DAJCR0000-1422	22	-	27.86	22.10	19.30
DAJCR0000-1616IN	-	1"	31.04	25.55	27.46
DAJCR0000-1625	25	-	31.00	25.10	19.80
DAJCR0000-2020IN	-	1-1/4"	38.96	32.00	23.10
DAJCR0000-2030	30	-	38.96	30.10	23.10
DAJCR0000-2032	32	-	38.96	32.10	23.10
DAJCR0000-2424IN	-	1-1/2"	45.31	38.35	28.40
DAJCR0000-2438	38	-	45.31	38.10	28.40
DAJCR0000-3232IN	-	2"	61.19	51.16	30.20
DAJCR0000-3252	52	-	61.19	52.10	30.20

## DAJCM125M

Straight Connector JIC Male – JIC Male

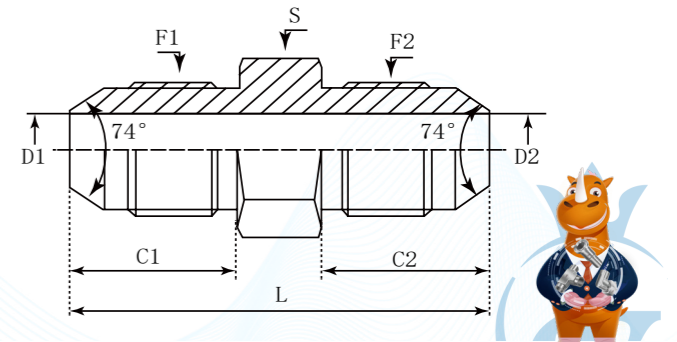
<b>D</b>	<b>A</b>	<b>JC</b>	<b>M</b>	<b>1</b>	<b>25</b>	<b>M</b>
Company	Product Range	Thread Types	Connection Type	Adaptor Structure	Thread Types	Connection Type
<b>DME</b>	Adaptor	JIC UNF	Male	Straight	JIC	Male

German Technology Equipment

**SHIELD FLEX**

New-Standard

- DME&JDE Code: **DAJCM125M**
- Product Type: **Hydraulic adaptor**
- Standard: **JIC and SAE-ORB**
- Structure: **Straight**
- Connection Type: **Male x Male**
- Thread Types: **UNF x UNF**



PART NUMBER	F1 (Thread)	F2 (Thread)	C1	C2	D1	D2	L	S	Hex
#	UNF	UNF	mm	mm	mm	mm	mm	-	-
DAJCM125M-0202	5/16"-24	5/16"-24	11.38	11.38	1.57	1.57	29.7	11 mm	Metric
DAJCM125M-0202IN	5/16"-24	5/16"-24	11.38	11.38	1.57	1.57	29.7	7/16"	Imperial
DAJCM125M-0302	3/8"-24	5/16"-24	12.17	11.38	3.2	1.57	30.48	11 mm	Metric
DAJCM125M-0303	3/8"-24	3/8"-24	12.2	12.2	3.2	3.2	31.2	11 mm	Metric
DAJCM125M-0302IN	3/8"-24	5/16"-24	12.17	11.38	3.2	1.57	30.48	7/16"	Imperial
DAJCM125M-0303IN	3/8"-24	3/8"-24	12.2	12.2	3.2	3.2	31.2	7/16"	Imperial
DAJCM125M-0402	7/16"-20	5/16"-24	13.97	11.38	4.37	1.57	32.30	12 mm	Metric
DAJCM125M-0403	7/16"-20	3/8"-24	13.97	12.00	4.37	3.18	33.00	12 mm	Metric
DAJCM125M-0404	7/16"-20	7/16"-20	13.97	13.97	4.37	4.37	34.80	12 mm	Metric
DAJCM125M-0402IN	7/16"-20	5/16"-24	13.97	11.38	4.37	1.57	32.30	1/2"	Imperial
DAJCM125M-0403IN	7/16"-20	3/8"-24	13.97	12.00	4.37	3.18	33.00	1/2"	Imperial
DAJCM125M-0404IN	7/16"-20	7/16"-20	13.97	13.97	4.37	4.37	34.80	1/2"	Imperial
DAJCM125M-0504	1/2"-20	7/16"-20	13.97	13.97	5.94	4.37	35.00	14 mm	Metric
DAJCM125M-0505	1/2"-20	1/2"-20	13.97	13.97	5.94	5.94	34.80	14 mm	Metric
DAJCM125M-0504IN	1/2"-20	7/16"-20	13.97	13.97	5.94	4.37	35.00	9/16"	Imperial
DAJCM125M-0505IN	1/2"-20	1/2"-20	13.97	13.97	5.94	5.94	34.80	9/16"	Imperial
DAJCM125M-0604	9/16"-18	7/16"-20	14.12	13.97	7.54	4.37	35.70	17 mm	Metric
DAJCM125M-0605	9/16"-18	1/2"-20	14.12	13.97	5.94	5.94	35.60	17 mm	Metric
DAJCM125M-0606	9/16"-18	9/16"-18	14.12	14.12	7.54	7.54	35.80	17 mm	Metric
DAJCM125M-0604IN	9/16"-18	7/16"-20	14.12	13.97	7.54	4.37	35.70	5/8"	Imperial
DAJCM125M-0605IN	9/16"-18	1/2"-20	14.12	13.97	5.94	5.94	35.60	5/8"	Imperial
DAJCM125M-0606IN	9/16"-18	9/16"-18	14.12	14.12	7.54	7.54	35.80	5/8"	Imperial
DAJCM125M-0707	5/8"-18	5/8"-18	15.70	15.70	7.14	7.14	38.70	17 mm	Metric
DAJCM125M-0707IN	5/8"-18	5/8"-18	15.70	15.70	7.14	7.14	38.70	11/16"	Imperial
DAJCM125M-0804	3/4"-16	7/16"-20	16.69	13.97	9.93	4.37	38.40	22 mm	Metric
DAJCM125M-0805	3/4"-16	1/2"-20	16.69	13.97	9.93	5.94	38.50	22 mm	Metric
DAJCM125M-0806	3/4"-16	9/16"-18	16.69	14.12	9.93	7.54	38.60	22 mm	Metric
DAJCM125M-0808	3/4"-16	3/4"-16	16.69	16.69	9.93	9.93	41.20	22 mm	Metric
DAJCM125M-0804IN	3/4"-16	7/16"-20	16.69	13.97	9.93	4.37	38.40	13/16"	Imperial
DAJCM125M-0805IN	3/4"-16	1/2"-20	16.69	13.97	9.93	5.94	38.50	13/16"	Imperial
DAJCM125M-0806IN	3/4"-16	9/16"-18	16.69	14.12	9.93	7.54	38.60	13/16"	Imperial
DAJCM125M-0808IN	3/4"-16	3/4"-16	16.69	16.69	9.93	9.93	41.20	13/16"	Imperial



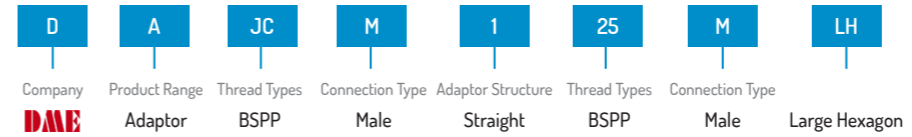
DAJCM125M-1004	7/8"-14	7/16"-20	19.25	13.97	12.29	4.37	42.42	24 mm	Metric
DAJCM125M-1005	7/8"-14	1/2"-20	19.25	13.97	12.29	5.94	42.40	24 mm	Metric
DAJCM125M-1006	7/8"-14	9/16"-18	19.25	14.12	12.29	7.54	42.70	24 mm	Metric
DAJCM125M-1008	7/8"-14	3/4"-16	19.25	16.69	12.29	9.93	45.21	24 mm	Metric
DAJCM125M-1010	7/8"-14	7/8"-14	19.25	19.25	12.29	12.29	47.80	24 mm	Metric
DAJCM125M-1004IN	7/8"-14	7/16"-20	19.25	13.97	12.29	4.37	42.42	15/16"	Imperial
DAJCM125M-1005IN	7/8"-14	1/2"-20	19.25	13.97	12.29	5.94	42.42	15/16"	Imperial
DAJCM125M-1006IN	7/8"-14	9/16"-18	19.25	14.12	12.29	7.54	42.70	15/16"	Imperial
DAJCM125M-1008IN	7/8"-14	3/4"-16	19.25	16.69	12.29	9.93	45.21	15/16"	Imperial
DAJCM125M-1010IN	7/8"-14	7/8"-14	19.25	19.25	12.29	12.29	47.80	15/16"	Imperial
DAJCM125M-1204	1-1/16"-12	7/16"-20	21.95	13.97	15.47	4.37	47.00	30 mm	Metric
DAJCM125M-1206	1-1/16"-12	9/16"-18	21.95	14.12	15.47	7.54	46.99	30 mm	Metric
DAJCM125M-1208	1-1/16"-12	3/4"-16	21.95	16.69	15.47	9.93	49.50	30 mm	Metric
DAJCM125M-1210	1-1/16"-12	7/8"-14	21.95	19.25	15.47	12.29	52.10	30 mm	Metric
DAJCM125M-1212	1-1/16"-12	1-1/16"-12	21.95	21.95	15.47	15.47	54.90	30 mm	Metric
DAJCM125M-1204IN	1-1/16"-12	7/16"-20	21.95	13.97	15.47	4.37	47.00	1-1/8"	Imperial
DAJCM125M-1206IN	1-1/16"-12	9/16"-18	21.95	14.12	15.47	7.54	46.99	1-1/8"	Imperial
DAJCM125M-1208IN	1-1/16"-12	3/4"-16	21.95	16.69	15.47	9.93	49.50	1-1/8"	Imperial
DAJCM125M-1210IN	1-1/16"-12	7/8"-14	21.95	19.25	15.47	12.29	52.10	1-1/8"	Imperial
DAJCM125M-1212IN	1-1/16"-12	1-1/16"-12	21.95	21.95	15.47	15.47	54.90	1-1/8"	Imperial
DAJCM125M-1412	1-3/16"-12	1-1/16"-12	23.00	21.95	18.00	15.47	55.00	32 mm	Metric
DAJCM125M-1414	1-3/16"-12	1-3/16"-12	23.00	23.00	18.00	18.00	56.10	32 mm	Metric
DAJCM125M-1412IN	1-3/16"-12	1-1/16"-12	23.00	21.95	18.00	15.47	55.00	1-1/4"	Imperial
DAJCM125M-1414IN	1-3/16"-12	1-3/16"-12	23.00	23.00	18.00	18.00	56.10	1-1/4"	Imperial
DAJCM125M-1606	1-5/16"-12	9/16"-18	23.14	14.12	21.44	7.54	48.00	36 mm	Metric
DAJCM125M-1608	1-5/16"-12	3/4"-16	23.14	16.69	21.44	9.93	50.80	36 mm	Metric
DAJCM125M-1610	1-5/16"-12	7/8"-14	23.14	19.25	21.44	12.29	53.40	36 mm	Metric
DAJCM125M-1612	1-5/16"-12	1-1/16"-12	23.14	21.95	21.44	15.47	56.00	36 mm	Metric
DAJCM125M-1616	1-5/16"-12	1-5/16"-12	23.14	23.14	21.44	21.44	57.20	36 mm	Metric
DAJCM125M-1606IN	1-5/16"-12	9/16"-18	23.14	14.12	21.44	7.54	48.00	1-3/8"	Imperial
DAJCM125M-1608IN	1-5/16"-12	3/4"-16	23.14	16.69	21.44	9.93	50.80	1-3/8"	Imperial
DAJCM125M-1610IN	1-5/16"-12	7/8"-14	23.14	19.25	21.44	12.29	53.40	1-3/8"	Imperial
DAJCM125M-1612IN	1-5/16"-12	1-1/16"-12	23.14	21.95	21.44	15.47	56.00	1-3/8"	Imperial
DAJCM125M-1616IN	1-5/16"-12	1-5/16"-12	23.14	23.14	21.44	21.44	57.20	1-3/8"	Imperial
DAJCM125M-2012	1-5/8"-12	1-1/16"-12	24.33	21.95	27.38	15.47	59.40	46 mm	Metric
DAJCM125M-2016	1-5/8"-12	1-5/16"-12	24.33	23.14	27.38	21.44	60.50	46 mm	Metric
DAJCM125M-2020	1-5/8"-12	1-5/8"-12	24.33	24.33	27.38	27.38	61.70	46 mm	Metric
DAJCM125M-2012IN	1-5/8"-12	1-1/16"-12	24.33	21.95	27.38	15.47	59.40	1-11/16"	Imperial
DAJCM125M-2016IN	1-5/8"-12	1-5/16"-12	24.33	23.14	27.38	21.44	60.50	1-11/16"	Imperial
DAJCM125M-2020IN	1-5/8"-12	1-5/8"-12	24.33	24.33	27.38	27.38	61.70	1-11/16"	Imperial
DAJCM125M-2412	1-7/8"-12	1-1/16"-12	27.51	21.95	33.32	15.47	64.30	50 mm	Metric
DAJCM125M-2416	1-7/8"-12	1-5/16"-12	27.51	23.14	33.32	21.44	65.50	50 mm	Metric
DAJCM125M-2420	1-7/8"-12	1-5/8"-12	27.51	24.33	33.32	27.38	65.70	50 mm	Metric
DAJCM125M-2424	1-7/8"-12	1-7/8"-12	27.50	27.50	33.32	33.32	69.85	50 mm	Metric
DAJCM125M-2412IN	1-7/8"-12	1-1/16"-12	27.51	21.95	33.32	15.47	64.30	2"	Imperial
DAJCM125M-2416IN	1-7/8"-12	1-5/16"-12	27.51	23.14	33.32	21.44	65.50	2"	Imperial
DAJCM125M-2420IN	1-7/8"-12	1-5/8"-12	27.51	24.33	33.32	27.38	65.70	2"	Imperial
DAJCM125M-2424IN	1-7/8"-12	1-7/8"-12	27.50	27.50	33.32	33.32	69.85	2"	Imperial
DAJCM125M-3216	2-1/2"-12	1-5/16"-12	33.86	23.14	45.24	21.44	75.70	65 mm	Metric
DAJCM125M-3220	2-1/2"-12	1-5/8"-12	33.86	24.33	45.24	27.38	76.80	65 mm	Metric
DAJCM125M-3224	2-1/2"-12	1-7/8"-12	33.86	27.50	45.24	33.32	80.10	65 mm	Metric
DAJCM125M-3232	2-1/2"-12	2-1/2"-12	33.86	33.86	45.24	45.24	86.51	65 mm	Metric
DAJCM125M-3216IN	2-1/2"-12	1-5/16"-12	33.86	23.14	45.24	21.44	75.70	2-5/8"	Imperial
DAJCM125M-3220IN	2-1/2"-12	1-5/8"-12	33.86	24.33	45.24	27.38	76.80	2-5/8"	Imperial
DAJCM125M-3224IN	2-1/2"-12	1-7/8"-12	33.86	27.50	45.24	33.32	80.10	2-5/8"	Imperial
DAJCM125M-3232IN	2-1/2"-12	2-1/2"-12	33.86	33.86	45.24	45.24	86.51	2-5/8"	Imperial

Web: https://www.dmejde.com  
E-mail: info@dmejde.com

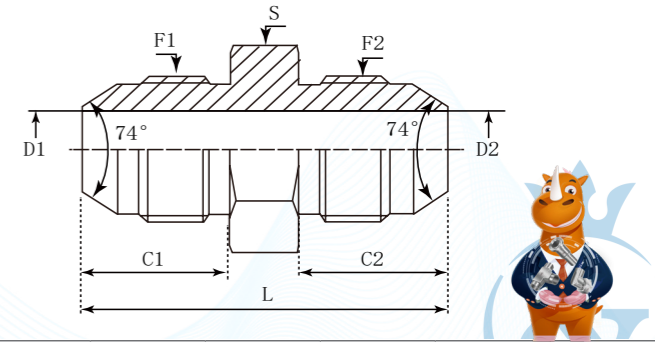


# DAJCM125M-LH

## Straight Connector JIC Male – JIC Male Large Hexagon



- DME&JDE Code:** DAJCM125M-LH
- Product Type:** Hydraulic adaptor
- Standard:** JIC and SAE-ORB
- Structure:** Straight
- Connection Type:** Male x Male
- Thread Types:** UNF x UNF
- Other Features:** Large Hexagon



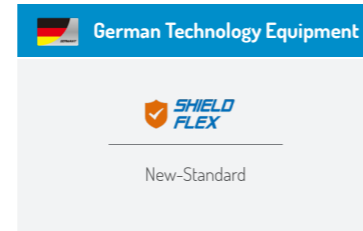
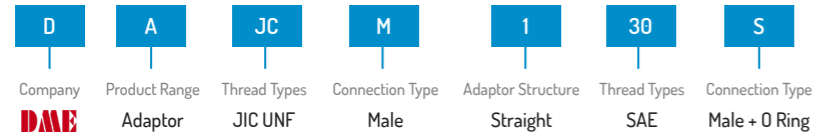
PART NUMBER	F1 (Thread)	F2 (Thread)	C1	C2	D1	D2	L	S	Hex
#	UNF	UNF	mm	mm	mm	mm	mm	-	-
DAJCM125M-LH-0302	3/8"-24	5/16"-24	12.17	11.38	3.18	1.57	30.48	17 mm	Metric
DAJCM125M-LH-0303	3/8"-24	3/8"-24	12.17	12.17	3.18	3.18	31.20	17 mm	Metric
DAJCM125M-LH-0302IN	3/8"-24	5/16"-24	12.17	11.38	3.18	1.57	30.48	5/8"	Imperial
DAJCM125M-LH-0303IN	3/8"-24	3/8"-24	12.17	12.17	3.18	3.18	31.2	5/8"	Imperial
DAJCM125M-LH-0404	7/16"-20	7/16"-20	13.97	13.97	4.37	4.37	34.80	17 mm	Metric
DAJCM125M-LH-0404IN	7/16"-20	7/16"-20	13.97	13.97	4.37	4.37	34.80	11/16"	Imperial
DAJCM125M-LH-0504	1/2"-20	7/16"-20	13.97	13.97	5.94	4.37	34.80	19 mm	Metric
DAJCM125M-LH-0505	1/2"-20	1/2"-20	13.97	13.97	5.94	5.94	34.80	19 mm	Metric
DAJCM125M-LH-0504IN	1/2"-20	7/16"-20	13.97	13.97	5.94	4.37	34.80	3/4"	Imperial
DAJCM125M-LH-0505IN	1/2"-20	1/2"-20	13.97	13.97	5.94	5.94	34.80	3/4"	Imperial
DAJCM125M-LH-0606	9/16"-18	9/16"-18	14.12	14.12	7.54	7.54	35.81	22 mm	Metric
DAJCM125M-LH-0606IN	9/16"-18	9/16"-18	14.12	14.12	7.54	7.54	35.81	13/16"	Imperial
DAJCM125M-LH-0804	3/4"-16	7/16"-20	16.69	13.97	9.93	4.37	38.40	27 mm	Metric
DAJCM125M-LH-0806	3/4"-16	9/16"-18	16.69	14.12	9.93	7.54	38.60	27 mm	Metric
DAJCM125M-LH-0808	3/4"-16	3/4"-16	16.69	16.69	9.93	9.93	41.20	27 mm	Metric
DAJCM125M-LH-0804IN	3/4"-16	7/16"-20	16.69	13.97	9.93	4.37	38.40	1"	Imperial
DAJCM125M-LH-0806IN	3/4"-16	9/16"-18	16.69	14.12	9.93	7.54	38.60	1"	Imperial
DAJCM125M-LH-0808IN	3/4"-16	3/4"-16	16.69	16.69	9.93	9.93	41.20	1"	Imperial
DAJCM125M-LH-1008	7/8"-14	3/4"-16	19.25	16.69	12.29	9.93	45.21	30 mm	Metric
DAJCM125M-LH-1010	7/8"-14	7/8"-14	19.25	19.25	12.29	12.29	47.80	30 mm	Metric
DAJCM125M-LH-1008IN	7/8"-14	3/4"-16	19.25	16.69	12.29	9.93	45.21	1-1/8"	Imperial
DAJCM125M-LH-1010IN	7/8"-14	7/8"-14	19.25	19.25	12.29	12.29	47.80	1-1/8"	Imperial
DAJCM125M-LH-1208	1-1/16"-12	3/4"-16	21.95	16.69	15.47	9.93	49.53	36 mm	Metric
DAJCM125M-LH-1210	1-1/16"-12	7/8"-14	21.95	19.25	15.47	12.29	52.10	36 mm	Metric
DAJCM125M-LH-1212	1-1/16"-12	1-1/16"-12	21.95	21.95	15.47	15.47	54.90	36 mm	Metric
DAJCM125M-LH-1208IN	1-1/16"-12	3/4"-16	21.95	16.69	15.47	9.93	49.53	1-3/8"	Imperial
DAJCM125M-LH-1210IN	1-1/16"-12	7/8"-14	21.95	19.25	15.47	12.29	52.10	1-3/8"	Imperial
DAJCM125M-LH-1212IN	1-1/16"-12	1-1/16"-12	21.95	21.95	15.47	15.47	54.90	1-3/8"	Imperial
DAJCM125M-LH-1608	1-5/16"-12	3/4"-16	23.14	16.69	21.44	9.93	50.75	41 mm	Metric
DAJCM125M-LH-1616	1-5/16"-12	1-5/16"-12	23.14	23.14	21.44	21.44	57.20	41 mm	Metric
DAJCM125M-LH-1608IN	1-5/16"-12	3/4"-16	23.14	16.69	21.44	9.93	50.75	1-5/8"	Imperial
DAJCM125M-LH-1616IN	1-5/16"-12	1-5/16"-12	23.14	23.14	21.44	21.44	57.20	1-5/8"	Imperial
DAJCM125M-LH-2020	1-5/8"-12	1-5/8"-12	24.33	24.33	27.38	27.38	61.70	50 mm	Metric
DAJCM125M-LH-2020IN	1-5/8"-12	1-5/8"-12	24.33	24.33	27.38	27.38	61.70	1-7/8"	Imperial

Web: https://www.dmejde.com  
E-mail: info@dmejde.com

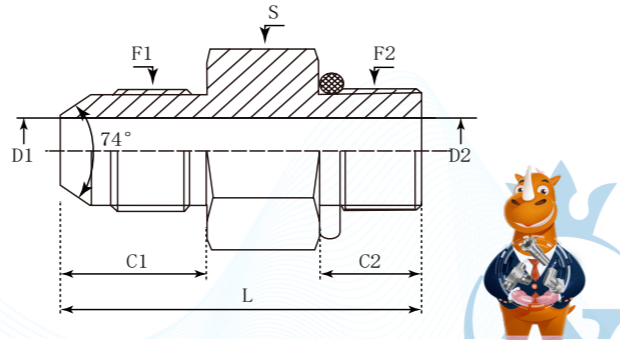


**DAJCM1305**

Straight Connector JIC Male – SAE Male + O Ring



- DME&JDE Code: **DAJCM1305**
- Product Type: **Hydraulic adaptor**
- Standard: **JIC and SAE-ORB**
- Structure: **Straight**
- Connection Type: **Male x Male**
- Thread Types: **UNF x UNF**
- Sealing Method: **O Ring**



PART NUMBER	F1 (Thread)	F2 (Thread)	C1	C2	D1	D2	L	S	Hex
#	UNF	UNF	mm	mm	mm	mm	mm	-	-
DAJCM1305-0202	5/16"-24	5/16"-24	11.38	7.54	1.57	1.57	26.9	11 mm	Metric
DAJCM1305-0202IN	5/16"-24	5/16"-24	11.38	7.54	1.57	1.57	26.9	7/16"	Imperial
DAJCM1305-0302	3/8"-24	5/16"-24	12.17	7.54	3.18	1.6	27.9	12 mm	Metric
DAJCM1305-0303	3/8"-24	3/8"-24	12.17	7.54	3.18	3.18	27.94	12 mm	Metric
DAJCM1305-0302IN	3/8"-24	5/16"-24	12.17	7.54	3.18	1.6	27.9	1/2"	Imperial
DAJCM1305-0303IN	3/8"-24	3/8"-24	12.17	7.54	3.18	3.18	27.94	1/2"	Imperial
DAJCM1305-0402	7/16"-20	5/16"-24	13.97	7.54	4.37	1.6	29.7	12 mm	Metric
DAJCM1305-0403	7/16"-20	3/8"-24	13.97	7.54	4.37	3.18	29.7	12 mm	Metric
DAJCM1305-0404	7/16"-20	7/16"-20	13.97	9.14	4.37	4.37	31.20	14 mm	Metric
DAJCM1305-0405	7/16"-20	1/2"-20	13.97	9.14	4.37	5.94	31.20	17 mm	Metric
DAJCM1305-0406	7/16"-20	9/16"-18	13.97	9.93	4.37	7.54	32.80	17 mm	Metric
DAJCM1305-0408	7/16"-20	3/4"-16	13.97	11.13	4.37	9.93	34.80	22 mm	Metric
DAJCM1305-0410	7/16"-20	7/8"-14	13.97	12.70	4.37	12.29	37.90	27 mm	Metric
DAJCM1305-0412	7/16"-20	1-1/16"-12	13.97	15.09	4.37	15.47	41.98	32 mm	Metric
DAJCM1305-0416	7/16"-20	1-5/16"-12	13.97	15.09	4.37	21.44	42.80	41 mm	Metric
DAJCM1305-0402IN	7/16"-20	5/16"-24	13.97	7.54	4.37	1.6	29.7	1/2"	Imperial
DAJCM1305-0403IN	7/16"-20	3/8"-24	13.97	7.54	4.37	3.18	29.7	1/2"	Imperial
DAJCM1305-0404IN	7/16"-20	7/16"-20	13.97	9.14	4.37	4.37	31.20	9/16"	Imperial
DAJCM1305-0405IN	7/16"-20	1/2"-20	13.97	9.14	4.37	5.94	31.20	5/8"	Imperial
DAJCM1305-0406IN	7/16"-20	9/16"-18	13.97	9.93	4.37	7.54	32.80	11/16"	Imperial
DAJCM1305-0408IN	7/16"-20	3/4"-16	13.97	11.13	4.37	9.93	34.80	7/8"	Imperial
DAJCM1305-0410IN	7/16"-20	7/8"-14	13.97	12.70	4.37	12.29	37.90	1"	Imperial
DAJCM1305-0412IN	7/16"-20	1-1/16"-12	13.97	15.09	4.37	15.47	41.98	1-1/4"	Imperial
DAJCM1305-0416IN	7/16"-20	1-5/16"-12	13.97	15.09	4.37	21.44	42.80	1-1/2"	Imperial
DAJCM1305-0502	1/2"-20	5/16"-24	13.97	7.54	5.94	1.60	29.60	14 mm	Metric
DAJCM1305-0503	1/2"-20	3/8"-24	13.97	7.54	5.94	3.18	29.70	14 mm	Metric
DAJCM1305-0504	1/2"-20	7/16"-20	13.97	9.14	5.94	4.37	31.20	17 mm	Metric
DAJCM1305-0505	1/2"-20	1/2"-20	13.97	9.14	5.94	5.94	31.20	17 mm	Metric
DAJCM1305-0506	1/2"-20	9/16"-18	13.97	9.93	5.94	7.54	32.77	17 mm	Metric

Web: <https://www.dmejde.com>  
E-mail: [info@dmejde.com](mailto:info@dmejde.com)



DAJCM1305-0508	1/2"-20	3/4"-16	13.97	11.13	5.94	9.93	34.90	22 mm	Metric
DAJCM1305-0502IN	1/2"-20	5/16"-24	13.97	7.54	5.94	1.60	29.60	5/8"	Imperial
DAJCM1305-0503IN	1/2"-20	3/8"-24	13.97	7.54	5.94	3.18	29.70	9/16"	Imperial
DAJCM1305-0504IN	1/2"-20	7/16"-20	13.97	9.14	5.94	4.37	31.20	5/8"	Imperial
DAJCM1305-0505IN	1/2"-20	1/2"-20	13.97	9.14	5.94	5.94	31.20	5/8"	Imperial
DAJCM1305-0506IN	1/2"-20	9/16"-18	13.97	9.93	5.94	7.54	32.77	11/16"	Imperial
DAJCM1305-0508IN	1/2"-20	3/4"-16	13.97	11.13	5.94	9.93	34.90	7/8"	Imperial
DAJCM1305-0602	9/16"-18	5/16"-24	14.12	7.54	7.54	1.60	29.80	17 mm	Metric
DAJCM1305-0603	9/16"-18	3/8"-24	14.12	7.54	7.54	3.18	30.80	17 mm	Metric
DAJCM1305-0604	9/16"-18	7/16"-20	14.12	9.14	7.54	4.37	32.30	17 mm	Metric
DAJCM1305-0605	9/16"-18	1/2"-20	14.12	9.14	7.54	6.00	32.26	17 mm	Metric
DAJCM1305-0606	9/16"-18	9/16"-18	14.12	9.93	7.54	7.54	33.00	17 mm	Metric
DAJCM1305-0608	9/16"-18	3/4"-16	14.12	11.13	7.54	9.93	35.05	22 mm	Metric
DAJCM1305-0610	9/16"-18	7/8"-14	14.12	12.70	7.54	12.29	38.00	27 mm	Metric
DAJCM1305-0612	9/16"-18	1-1/16"-12	14.12	15.09	7.54	15.47	42.22	32 mm	Metric
DAJCM1305-0614	9/16"-18	1-3/16"-12	14.12	15.09	7.54	18.26	43.50	36 mm	Metric
DAJCM1305-0616	9/16"-18	1-5/16"-12	14.12	15.09	7.54	21.44	42.93	41 mm	Metric
DAJCM1305-0602IN	9/16"-18	5/16"-24	14.12	7.54	7.54	1.60	29.80	5/8"	Imperial
DAJCM1305-0603IN	9/16"-18	3/8"-24	14.12	7.54	7.54	3.18	30.80	5/8"	Imperial
DAJCM1305-0604IN	9/16"-18	7/16"-20	14.12	9.14	7.54	4.37	32.30	5/8"	Imperial
DAJCM1305-0605IN	9/16"-18	1/2"-20	14.12	9.14	7.54	6.00	32.26	5/8"	Imperial
DAJCM1305-0606IN	9/16"-18	9/16"-18	14.12	9.93	7.54	7.54	33.00	11/16"	Imperial
DAJCM1305-0608IN	9/16"-18	3/4"-16	14.12	11.13	7.54	9.93	35.05	7/8"	Imperial
DAJCM1305-0610IN	9/16"-18	7/8"-14	14.12	12.70	7.54	12.29	38.00	1"	Imperial
DAJCM1305-0612IN	9/16"-18	1-1/16"-12	14.12	15.09	7.54	15.47	42.22	1-1/4"	Imperial
DAJCM1305-0614IN	9/16"-18	1-3/16"-12	14.12	15.09	7.54	18.26	43.50	1-3/8"	Imperial
DAJCM1305-0616IN	9/16"-18	1-5/16"-12	14.12	15.09	7.54	21.44	42.93	1-1/2"	Imperial
DAJCM1305-0804	3/4"-16	7/16"-20	16.69	9.14	9.93	4.37	37.90	22 mm	Metric
DAJCM1305-0806	3/4"-16	9/16"-18	16.69	9.93	9.93	7.54	36.60	22 mm	Metric
DAJCM1305-0808	3/4"-16	3/4"-16	16.69	11.13	9.93	9.93	37.59	22 mm	Metric
DAJCM1305-0810	3/4"-16	7/8"-14	16.69	12.70	9.93	12.29	40.62	27 mm	Metric
DAJCM1305-0812	3/4"-16	1-1/16"-12	16.69	15.09	9.93	15.47	44.70	32 mm	Metric
DAJCM1305-0814	3/4"-16	1-3/16"-12	16.69	15.09	9.93	18.26	44.70	36 mm	Metric
DAJCM1305-0816	3/4"-16	1-5/16"-12	16.69	15.09	9.93	21.44	45.50	41 mm	Metric
DAJCM1305-0820	3/4"-16	1-5/8"-12	16.69	15.09	9.93	27.38	47.50	50 mm	Metric
DAJCM1305-0804IN	3/4"-16	7/16"-20	16.69	9.14	9.93	4.37	37.90	13/16"	Imperial
DAJCM1305-0806IN	3/4"-16	9/16"-18	16.69	9.93	9.93	7.54	36.60	13/16"	Imperial
DAJCM1305-0808IN	3/4"-16	3/4"-16	16.69	11.13	9.93	9.93	37.59	7/8"	Imperial
DAJCM1305-0810IN	3/4"-16	7/8"-14	16.69	12.70	9.93	12.29	40.62	1"	Imperial
DAJCM1305-0812IN	3/4"-16	1-1/16"-12	16.69	15.09	9.93	15.47	44.70	1-1/4"	Imperial
DAJCM1305-0814IN	3/4"-16	1-3/16"-12	16.69	15.09	9.93	18.26	44.70	1-3/8"	Imperial
DAJCM1305-0816IN	3/4"-16	1-5/16"-12	16.69	15.09	9.93	21.44	45.50	1-1/2"	Imperial
DAJCM1305-0820IN	3/4"-16	1-5/8"-12	16.69	15.09	9.93	27.38	47.50	1-7/8"	Imperial
DAJCM1305-1006	7/8"-14	9/16"-18	19.25	9.93	12.29	7.54	43.43	24 mm	Metric
DAJCM1305-1008	7/8"-14	3/4"-16	19.25	11.13	12.29	9.93	41.66	24 mm	Metric
DAJCM1305-1010	7/8"-14	7/8"-14	19.25	12.70	12.29	12.29	43.20	27 mm	Metric
DAJCM1305-1012	7/8"-14	1-1/16"-12	19.25	15.09	12.29	15.47	47.24	32 mm	Metric
DAJCM1305-1014	7/8"-14	1-3/16"-12	19.25	15.09	12.29	18.26	47.30	36 mm	Metric
DAJCM1305-1016	7/8"-14	1-5/16"-12	19.25	15.09	12.29	21.44	48.00	41 mm	Metric
DAJCM1305-1020	7/8"-14	1-5/8"-12	19.25	15.09	12.29	27.38	50.00	50 mm	Metric
DAJCM1305-1006IN	7/8"-14	9/16"-18	19.25	9.93	12.29	7.54	43.43	15/16"	Imperial
DAJCM1305-1008IN	7/8"-14	3/4"-16	19.25	11.13	12.29	9.93	41.66	15/16"	Imperial



Web: <https://www.dmejde.com>  
E-mail: [info@dmejde.com](mailto:info@dmejde.com)



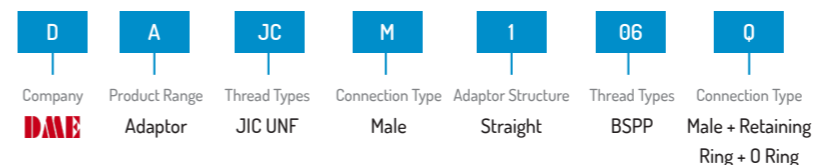


DAJCM1305-1010IN	7/8"-14	7/8"-14	19.25	12.70	12.29	12.29	43.20	1"	Imperial
DAJCM1305-1012IN	7/8"-14	1-1/16"-12	19.25	15.09	12.29	15.47	47.24	1-1/4"	Imperial
DAJCM1305-1014IN	7/8"-14	1-3/16"-12	19.25	15.09	12.29	18.26	47.30	1-3/8"	Imperial
DAJCM1305-1016IN	7/8"-14	1-5/16"-12	19.25	15.09	12.29	21.44	48.00	1-1/2"	Imperial
DAJCM1305-1020IN	7/8"-14	1-5/8"-12	19.25	15.09	12.29	27.38	50.00	1-7/8"	Imperial
DAJCM1305-1204	1-1/16"-12	7/16"-20	21.95	9.14	15.47	4.37	46.40	30 mm	Metric
DAJCM1305-1206	1-1/16"-12	9/16"-18	21.95	9.93	15.47	7.54	47.20	30 mm	Metric
DAJCM1305-1208	1-1/16"-12	3/4"-16	21.95	11.13	15.47	9.93	49.30	30 mm	Metric
DAJCM1305-1210	1-1/16"-12	7/8"-14	21.95	12.70	15.47	12.29	47.80	30 mm	Metric
DAJCM1305-1212	1-1/16"-12	1-1/16"-12	21.95	15.09	15.47	15.47	50.04	32 mm	Metric
DAJCM1305-1214	1-1/16"-12	1-3/16"-12	21.95	15.09	15.47	18.26	49.78	36 mm	Metric
DAJCM1305-1216	1-1/16"-12	1-5/16"-12	21.95	15.09	15.47	21.44	50.60	41 mm	Metric
DAJCM1305-1220	1-1/16"-12	1-5/8"-12	21.95	15.09	15.47	27.38	52.80	50 mm	Metric
DAJCM1305-1224	1-1/16"-12	1-7/8"-12	21.95	15.09	15.47	33.32	55.60	55 mm	Metric
DAJCM1305-1204IN	1-1/16"-12	7/16"-20	21.95	9.14	15.47	4.37	46.40	1-1/8"	Imperial
DAJCM1305-1206IN	1-1/16"-12	9/16"-18	21.95	9.93	15.47	7.54	47.20	1-1/8"	Imperial
DAJCM1305-1208IN	1-1/16"-12	3/4"-16	21.95	11.13	15.47	9.93	49.30	1-1/8"	Imperial
DAJCM1305-1210IN	1-1/16"-12	7/8"-14	21.95	12.70	15.47	12.29	47.80	1-1/8"	Imperial
DAJCM1305-1212IN	1-1/16"-12	1-1/16"-12	21.95	15.09	15.47	15.47	50.04	1-1/4"	Imperial
DAJCM1305-1214IN	1-1/16"-12	1-3/16"-12	21.95	15.09	15.47	18.26	49.78	1-3/8"	Imperial
DAJCM1305-1216IN	1-1/16"-12	1-5/16"-12	21.95	15.09	15.47	21.44	50.60	1-1/2"	Imperial
DAJCM1305-1220IN	1-1/16"-12	1-5/8"-12	21.95	15.09	15.47	27.38	52.80	1-7/8"	Imperial
DAJCM1305-1224IN	1-1/16"-12	1-7/8"-12	21.95	15.09	15.47	33.32	55.60	2-1/8"	Imperial
DAJCM1305-1412	1-3/16"-12	1-1/16"-12	23.00	15.09	18.00	15.47	50.60	32 mm	Metric
DAJCM1305-1414	1-3/16"-12	1-3/16"-12	22.61	15.09	18.26	18.26	50.60	36 mm	Metric
DAJCM1305-1416	1-3/16"-12	1-5/16"-12	23.00	15.09	18.00	21.44	51.30	41 mm	Metric
DAJCM1305-1412IN	1-3/16"-12	1-1/16"-12	23.00	15.09	18.00	15.47	50.60	1-1/4"	Imperial
DAJCM1305-1414IN	1-3/16"-12	1-3/16"-12	22.61	15.09	18.26	18.26	50.60	1-3/8"	Imperial
DAJCM1305-1416IN	1-3/16"-12	1-5/16"-12	23.00	15.09	18.00	21.44	51.30	1-1/2"	Imperial
DAJCM1305-1606IN	1-5/16"-12	9/16"-18	23.14	9.93	21.44	7.54	49.00	1-3/8"	Imperial
DAJCM1305-1608IN	1-5/16"-12	3/4"-16	23.14	11.13	21.44	9.93	51.10	1-3/8"	Imperial
DAJCM1305-1610IN	1-5/16"-12	7/8"-14	23.14	12.70	21.44	12.29	52.58	1-3/8"	Imperial
DAJCM1305-1612IN	1-5/16"-12	1-1/16"-12	23.14	15.09	21.44	15.47	51.80	1-3/8"	Imperial
DAJCM1305-1614IN	1-5/16"-12	1-3/16"-12	23.14	15.09	21.44	18.26	51.82	1-3/8"	Imperial
DAJCM1305-1616IN	1-5/16"-12	1-5/16"-12	23.14	15.09	21.44	21.44	51.80	1-1/2"	Imperial
DAJCM1305-1620IN	1-5/16"-12	1-5/8"-12	23.14	15.09	21.44	27.38	53.90	1-7/8"	Imperial
DAJCM1305-1624IN	1-5/16"-12	1-7/8"-12	23.14	15.09	21.44	33.32	56.39	2-1/8"	Imperial
DAJCM1305-2012	1-5/8"-12	1-1/16"-12	24.33	15.09	27.38	15.47	58.40	46 mm	Metric
DAJCM1305-2016	1-5/8"-12	1-5/16"-12	24.33	15.09	27.38	21.44	59.20	46 mm	Metric
DAJCM1305-2020	1-5/8"-12	1-5/8"-12	24.33	15.09	27.38	27.38	55.10	50 mm	Metric
DAJCM1305-2024	1-5/8"-12	1-7/8"-12	24.33	15.09	27.38	33.32	56.90	55 mm	Metric
DAJCM1305-2032	1-5/8"-12	2-1/2"-12	24.33	15.09	27.38	45.25	59.10	70 mm	Metric
DAJCM1305-2012IN	1-5/8"-12	1-1/16"-12	24.33	15.09	27.38	15.47	58.40	1-11/16"	Imperial
DAJCM1305-2016IN	1-5/8"-12	1-5/16"-12	24.33	15.09	27.38	21.44	59.20	1-11/16"	Imperial
DAJCM1305-2020IN	1-5/8"-12	1-5/8"-12	24.33	15.09	27.38	27.38	55.10	1-7/8"	Imperial
DAJCM1305-2024IN	1-5/8"-12	1-7/8"-12	24.33	15.09	27.38	33.32	56.90	2-1/8"	Imperial
DAJCM1305-2032IN	1-5/8"-12	2-1/2"-12	24.33	15.09	27.38	45.25	59.10	2-3/4"	Imperial
DAJCM1305-2420	1-7/8"-12	1-5/8"-12	27.51	15.09	33.32	27.38	64.26	50 mm	Metric
DAJCM1305-2424	1-7/8"-12	1-7/8"-12	27.51	15.09	33.32	33.32	60.20	55 mm	Metric
DAJCM1305-2420IN	1-7/8"-12	1-5/8"-12	27.51	15.09	33.32	27.38	64.26	2"	Imperial
DAJCM1305-2424IN	1-7/8"-12	1-7/8"-12	27.51	15.09	33.32	33.32	60.20	2-1/8"	Imperial
DAJCM1305-3216	2-1/2"-12	1-5/16"-12	33.86	15.09	45.24	21.44	74.70	65 mm	Metric
DAJCM1305-3220	2-1/2"-12	1-5/8"-12	33.86	15.09	45.24	27.38	74.70	65 mm	Metric
DAJCM1305-3224	2-1/2"-12	1-7/8"-12	33.86	15.09	45.24	33.32	74.68	65 mm	Metric
DAJCM1305-3232	2-1/2"-12	2-1/2"-12	33.86	15.09	45.24	45.24	70.60	70 mm	Metric
DAJCM1305-3216IN	2-1/2"-12	1-5/16"-12	33.86	15.09	45.24	21.44	74.70	2-5/8"	Imperial
DAJCM1305-3220IN	2-1/2"-12	1-5/8"-12	33.86	15.09	45.24	27.38	74.70	2-5/8"	Imperial
DAJCM1305-3224IN	2-1/2"-12	1-7/8"-12	33.86	15.09	45.24	33.32	74.68	2-5/8"	Imperial
DAJCM1305-3232IN	2-1/2"-12	2-1/2"-12	33.86	15.09	45.24	45.24	70.60	2-3/4"	Imperial

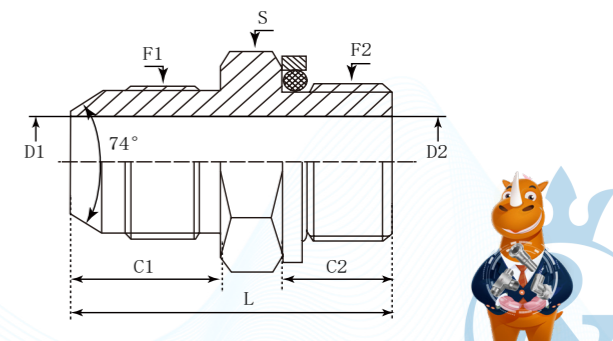


## DAJCM106Q

Straight JIC Male - BSPP Male + Retaining Ring + O Ring Seal



- DME&JDE Code:** DAJCM106Q
- Product Type:** Hydraulic adaptor
- Standard:** JIC and SAE-ORB
- Structure:** Straight
- Connection Type:** Male x Male
- Thread Types:** UNF x BSPP
- Sealing Method:** Retaining Ring + O Ring



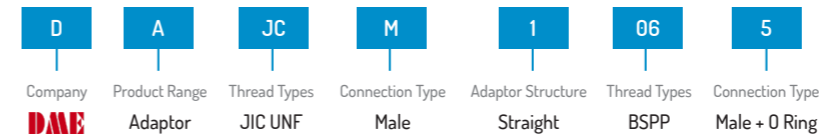
PART NUMBER	F1 (Thread)	F2 (Thread)	C1	C2	D1	D2	L	S
#	UNF	BSPP	mm	mm	mm	mm	mm	mm
DAJCM106Q-0402	7/16"-20	1/8"-28	13.97	7.60	4.37	4.37	30.00	14.00
DAJCM106Q-0404	7/16"-20	1/4"-19	13.97	11.20	4.37	7.50	35.00	19.00
DAJCM106Q-0406	7/16"-20	3/8"-19	13.97	11.20	4.37	9.90	35.00	22.00
DAJCM106Q-0408	7/16"-20	1/2"-14	13.97	14.50	4.37	12.30	38.00	30.00
DAJCM106Q-0412	7/16"-20	3/4"-14	13.97	14.50	4.37	15.50	39.50	36.00
DAJCM106Q-0502	1/2"-20	1/8"-28	13.97	7.60	5.94	4.40	30.00	14.00
DAJCM106Q-0504	1/2"-20	1/4"-19	13.97	11.20	5.94	5.94	34.00	19.00
DAJCM106Q-0506	1/2"-20	3/8"-19	13.97	11.20	5.94	9.90	34.50	22.00
DAJCM106Q-0508	1/2"-20	1/2"-14	13.97	14.50	5.94	12.30	37.50	27.00
DAJCM106Q-0602	9/16"-18	1/8"-28	14.12	7.60	7.54	4.40	29.50	17.00
DAJCM106Q-0604	9/16"-18	1/4"-19	14.12	11.20	7.50	7.50	32.00	19.00
DAJCM106Q-0606	9/16"-18	3/8"-19	14.12	11.20	7.54	9.90	34.50	22.00
DAJCM106Q-0608	9/16"-18	1/2"-14	14.12	14.50	7.54	12.30	38.00	27.00
DAJCM106Q-0612	9/16"-18	3/4"-14	14.12	14.50	7.54	15.50	39.50	36.00
DAJCM106Q-0804	3/4"-16	1/4"-19	16.69	11.20	9.93	7.50	35.00	19.00
DAJCM106Q-0806	3/4"-16	3/8"-19	16.69	11.20	9.93	9.93	36.00	22.00
DAJCM106Q-0808	3/4"-16	1/2"-14	16.69	14.50	9.93	12.30	41.50	27.00
DAJCM106Q-0810	3/4"-16	5/8"-14	16.69	14.50	9.93	14.00	42.50	32.00
DAJCM106Q-0812	3/4"-16	3/4"-14	16.69	14.50	9.93	15.50	45.00	36.00
DAJCM106Q-0816	3/4"-16	1"-11	16.69	18.60	9.93	21.50	48.00	46.00



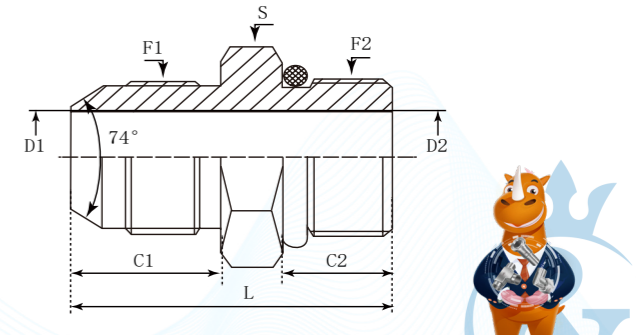
DAJCM106Q-0820	3/4"-16	1-1/4"-11	16.69	18.60	9.93	27.50	50.50	50.00
DAJCM106Q-1004	7/8"-14	1/4"-19	19.25	11.20	12.29	7.50	40.50	24.00
DAJCM106Q-1006	7/8"-14	3/8"-19	19.25	11.20	12.29	9.90	40.50	24.00
DAJCM106Q-1008	7/8"-14	1/2"-14	19.25	14.50	12.30	12.30	44.00	27.00
DAJCM106Q-1010	7/8"-14	5/8"-14	19.25	14.50	12.29	12.29	45.50	32.00
DAJCM106Q-1012	7/8"-14	3/4"-14	19.25	14.50	12.29	15.50	46.50	36.00
DAJCM106Q-1016	7/8"-14	1"-11	19.25	18.60	12.29	21.50	51.00	46.00
DAJCM106Q-1204	1-1/16"-12	1/4"-19	21.95	11.20	21.95	11.20	43.50	30.00
DAJCM106Q-1206	1-1/16"-12	3/8"-19	21.95	11.20	15.47	9.90	43.50	30.00
DAJCM106Q-1208	1-1/16"-12	1/2"-14	21.95	14.50	15.47	12.00	46.00	30.00
DAJCM106Q-1210	1-1/16"-12	5/8"-14	21.95	14.50	15.47	14.00	48.00	32.00
DAJCM106Q-1212	1-1/16"-12	3/4"-14	21.95	14.50	15.47	15.47	49.20	36.00
DAJCM106Q-1216	1-1/16"-12	1"-11	21.95	18.60	15.47	21.50	52.00	46.00
DAJCM106Q-1220	1-1/16"-12	1-1/4"-11	21.95	18.60	15.47	27.50	56.00	50.00
DAJCM106Q-1224	1-1/16"-12	1-1/2"-11	21.95	18.60	15.47	33.00	55.00	55.00
DAJCM106Q-1412	1-3/16"-12	3/4"-14	23.00	14.50	18.00	15.50	51.50	36.00
DAJCM106Q-1608	1-5/16"-12	1/2"-14	23.14	14.50	21.44	12.00	51.00	36.00
DAJCM106Q-1610	1-5/16"-12	5/8"-14	23.14	14.50	21.44	14.00	51.00	36.00
DAJCM106Q-1612	1-5/16"-12	3/4"-14	23.14	14.50	21.44	15.50	48.50	36.00
DAJCM106Q-1616	1-5/16"-12	1"-11	23.14	18.60	21.44	21.44	53.50	46.00
DAJCM106Q-1620	1-5/16"-12	1-1/4"-11	23.14	18.60	21.44	27.50	57.00	50.00
DAJCM106Q-1624	1-5/16"-12	1-1/2"-11	23.14	18.60	21.44	33.00	56.00	55.00
DAJCM106Q-2012	1-5/8"-12	3/4"-14	24.33	14.50	27.38	15.50	51.00	46.00
DAJCM106Q-2016	1-5/8"-12	1"-11	24.33	18.60	27.38	21.50	55.00	46.00
DAJCM106Q-2020	1-5/8"-12	1-1/4"-11	24.33	18.60	27.38	27.38	57.00	50.00
DAJCM106Q-2024	1-5/8"-12	1-1/2"-11	24.33	18.60	27.38	33.00	57.50	55.00
DAJCM106Q-2032	1-5/8"-12	2"-11	24.33	18.60	27.38	45.00	60.50	70.00
DAJCM106Q-2416	1-7/8"-12	1"-11	27.51	18.60	33.32	21.50	59.50	50.00
DAJCM106Q-2420	1-7/8"-12	1-1/4"-11	27.51	18.60	33.32	27.50	61.50	55.00
DAJCM106Q-2424	1-7/8"-12	1-1/2"-11	27.51	18.60	33.00	33.00	61.50	55.00
DAJCM106Q-2432	1-7/8"-12	2"-11	27.51	18.60	33.32	45.00	63.50	70.00
DAJCM106Q-3216	2-1/2"-12	1"-11	33.86	18.60	45.25	21.50	69.10	65.00
DAJCM106Q-3220	2-1/2"-12	1-1/4"-11	33.86	18.60	45.25	27.50	69.10	65.00
DAJCM106Q-3224	2-1/2"-12	1-1/2"-11	33.86	18.60	45.25	33.00	69.10	65.00
DAJCM106Q-3232	2-1/2"-12	2"-11	33.86	18.60	45.00	45.00	70.00	70.00

## DAJCM1065

Straight Connector JIC Male – BSPP Male + O Ring Seal



- DME&JDE Code:** DAJCM1065
- Product Type:** Hydraulic adaptor
- Standard:** JIC and SAE-ORB
- Structure:** Straight
- Connection Type:** Male x Male
- Thread Types:** UNF x BSPP
- Sealing Method:** O Ring



PART NUMBER	F1 (Thread)	F2 (Thread)	C1	C2	D1	D2	L	S
#	UNF	BSPP	mm	mm	mm	mm	mm	mm
DAJCM1065-0402	7/16"-20	1/8"-28	13.97	7.60	4.37	4.37	30.00	14.00
DAJCM1065-0404	7/16"-20	1/4"-19	13.97	11.20	4.37	7.50	35.00	19.00
DAJCM1065-0406	7/16"-20	3/8"-19	13.97	11.20	4.37	9.90	35.00	22.00
DAJCM1065-0408	7/16"-20	1/2"-14	13.97	14.50	4.37	12.30	38.00	30.00
DAJCM1065-0412	7/16"-20	3/4"-14	13.97	14.50	4.37	15.50	39.50	36.00
DAJCM1065-0502	1/2"-20	1/8"-28	13.97	7.60	5.94	4.40	30.00	14.00
DAJCM1065-0504	1/2"-20	1/4"-19	13.97	11.20	5.94	5.94	34.00	19.00
DAJCM1065-0506	1/2"-20	3/8"-19	13.97	11.20	5.94	9.90	34.50	22.00
DAJCM1065-0508	1/2"-20	1/2"-14	13.97	14.50	5.94	12.30	37.50	27.00
DAJCM1065-0602	9/16"-18	1/8"-28	14.12	7.60	7.54	4.40	29.50	17.00
DAJCM1065-0604	9/16"-18	1/4"-19	14.12	11.20	7.50	7.50	32.00	19.00
DAJCM1065-0606	9/16"-18	3/8"-19	14.12	11.20	7.54	9.90	34.50	22.00
DAJCM1065-0608	9/16"-18	1/2"-14	14.12	14.50	7.54	12.30	38.00	27.00
DAJCM1065-0612	9/16"-18	3/4"-14	14.12	14.50	7.54	15.50	39.50	36.00
DAJCM1065-0804	3/4"-16	1/4"-19	16.69	11.20	9.93	7.50	35.00	19.00
DAJCM1065-0806	3/4"-16	3/8"-19	16.69	11.20	9.93	9.93	36.00	22.00
DAJCM1065-0808	3/4"-16	1/2"-14	16.69	14.50	9.93	12.30	41.50	27.00
DAJCM1065-0810	3/4"-16	5/8"-14	16.69	14.50	9.93	14.00	42.50	32.00
DAJCM1065-0812	3/4"-16	3/4"-14	16.69	14.50	9.93	15.50	45.00	36.00
DAJCM1065-0816	3/4"-16	1"-11	16.69	18.60	9.93	21.50	48.00	46.00



DAJCM1065-0820	3/4"-16	1-1/4"-11	16.69	18.60	9.93	27.50	50.50	50.00
DAJCM1065-1004	7/8"-14	1/4"-19	19.25	11.20	12.29	7.50	40.50	24.00
DAJCM1065-1006	7/8"-14	3/8"-19	19.25	11.20	12.29	9.90	40.50	24.00
DAJCM1065-1008	7/8"-14	1/2"-14	19.25	14.50	12.30	12.30	44.00	27.00
DAJCM1065-1010	7/8"-14	5/8"-14	19.25	14.50	12.29	12.29	45.50	32.00
DAJCM1065-1012	7/8"-14	3/4"-14	19.25	14.50	12.29	15.50	46.50	36.00
DAJCM1065-1016	7/8"-14	1"-11	19.25	18.60	12.29	21.50	51.00	46.00
DAJCM1065-1204	1-1/16"-12	1/4"-19	21.95	11.20	21.95	11.20	43.50	30.00
DAJCM1065-1206	1-1/16"-12	3/8"-19	21.95	11.20	15.47	9.90	43.50	30.00
DAJCM1065-1208	1-1/16"-12	1/2"-14	21.95	14.50	15.47	12.00	46.00	30.00
DAJCM1065-1210	1-1/16"-12	5/8"-14	21.95	14.50	15.47	14.00	48.00	32.00
DAJCM1065-1212	1-1/16"-12	3/4"-14	21.95	14.50	15.47	15.47	49.20	36.00
DAJCM1065-1216	1-1/16"-12	1"-11	21.95	18.60	15.47	21.50	52.00	46.00
DAJCM1065-1220	1-1/16"-12	1-1/4"-11	21.95	18.60	15.47	27.50	56.00	50.00
DAJCM1065-1224	1-1/16"-12	1-1/2"-11	21.95	18.60	15.47	33.00	55.00	55.00
DAJCM1065-1412	1-3/16"-12	3/4"-14	23.00	14.50	18.00	15.50	51.50	36.00
DAJCM1065-1608	1-5/16"-12	1/2"-14	23.14	14.50	21.44	12.00	51.00	36.00
DAJCM1065-1610	1-5/16"-12	5/8"-14	23.14	14.50	21.44	14.00	51.00	36.00
DAJCM1065-1612	1-5/16"-12	3/4"-14	23.14	14.50	21.44	15.50	48.50	36.00
DAJCM1065-1616	1-5/16"-12	1"-11	23.14	18.60	21.44	21.44	53.50	46.00
DAJCM1065-1620	1-5/16"-12	1-1/4"-11	23.14	18.60	21.44	27.50	57.00	50.00
DAJCM1065-1624	1-5/16"-12	1-1/2"-11	23.14	18.60	21.44	33.00	56.00	55.00
DAJCM1065-2012	1-5/8"-12	3/4"-14	24.33	14.50	27.38	15.50	51.00	46.00
DAJCM1065-2016	1-5/8"-12	1"-11	24.33	18.60	27.38	21.50	55.00	46.00
DAJCM1065-2020	1-5/8"-12	1-1/4"-11	24.33	18.60	27.38	27.38	57.00	50.00
DAJCM1065-2024	1-5/8"-12	1-1/2"-11	24.33	18.60	27.38	33.00	57.50	55.00
DAJCM1065-2032	1-5/8"-12	2"-11	24.33	18.60	27.38	45.00	60.50	70.00
DAJCM1065-2416	1-7/8"-12	1"-11	27.51	18.60	33.32	21.50	59.50	50.00
DAJCM1065-2420	1-7/8"-12	1-1/4"-11	27.51	18.60	33.32	27.50	61.50	55.00
DAJCM1065-2424	1-7/8"-12	1-1/2"-11	27.51	18.60	33.00	33.00	61.50	55.00
DAJCM1065-2432	1-7/8"-12	2"-11	27.51	18.60	33.32	45.00	63.50	70.00
DAJCM1065-3216	2-1/2"-12	1"-11	33.86	18.60	45.25	21.50	69.10	65.00
DAJCM1065-3220	2-1/2"-12	1-1/4"-11	33.86	18.60	45.25	27.50	69.10	65.00
DAJCM1065-3224	2-1/2"-12	1-1/2"-11	33.86	18.60	45.25	33.00	69.10	65.00
DAJCM1065-3232	2-1/2"-12	2"-11	33.86	18.60	45.00	45.00	70.00	70.00



## DAJCM152Q

Straight JIC Male - Metric Male + Retaining Ring + O Ring Seal

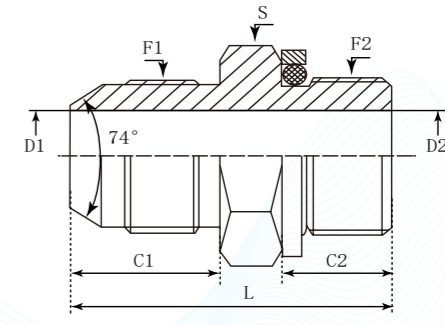
<b>D</b>	<b>A</b>	<b>JC</b>	<b>M</b>	<b>1</b>	<b>52</b>	<b>0</b>
Company	Product Range	Thread Types	Connection Type	Adaptor Structure	Thread Types	Connection Type
<b>DME</b>	Adaptor	JIC UNF	Male	Straight	Metric	Male + Retaining Ring + O Ring

German Technology Equipment

SHIELD FLEX

New-Standard

- DME&JDE Code:** DAJCM152Q
- Product Type:** Hydraulic adaptor
- Standard:** JIC and SAE-ORB
- Structure:** Straight
- Connection Type:** Male x Male
- Thread Types:** UNF x Metric
- Sealing Method:** Retaining Ring + O Ring



PART NUMBER	F1 (Thread)	F2 (Thread)	C1	C2	D1	D2	L	S
#	UNF	BSP	mm	mm	mm	mm	mm	mm
DAJCM152Q-0408	7/16"-20	M8X1	13.97	9.50	2.00	2.00	30.00	14.00
DAJCM152Q-0410	7/16"-20	M10X1	13.97	9.00	4.37	4.37	30.00	14.00
DAJCM152Q-0412	7/16"-20	M12X1.5	13.97	11.00	4.37	6.00	32.00	17.00
DAJCM152Q-0414	7/16"-20	M14X1.5	13.97	11.00	4.37	7.50	34.00	19.00
DAJCM152Q-0416	7/16"-20	M16X1.5	13.97	11.50	4.37	9.00	35.00	22.00
DAJCM152Q-0418	7/16"-20	M18X1.5	13.97	12.50	4.37	10.00	36.50	24.00
DAJCM152Q-0422	7/16"-20	M22X1.5	13.97	13.00	4.37	12.00	38.50	27.00
DAJCM152Q-0510	1/2"-20	M10X1	13.97	9.00	5.94	4.50	30.00	17.00
DAJCM152Q-0512	1/2"-20	M12X1.5	13.97	11.00	5.94	5.94	33.00	17.00
DAJCM152Q-0514	1/2"-20	M14X1.5	13.97	11.00	5.94	5.94	34.50	19.00
DAJCM152Q-0516	1/2"-20	M16X1.5	13.97	11.50	5.94	9.00	35.00	22.00
DAJCM152Q-0610	9/16"-18	M10X1	14.12	9.00	7.54	4.50	32.00	17.00
DAJCM152Q-0612	9/16"-18	M12X1.5	14.12	11.00	7.54	6.00	34.00	17.00
DAJCM152Q-0614	9/16"-18	M14X1.5	14.12	11.00	7.54	7.54	33.50	19.00
DAJCM152Q-0616	9/16"-18	M16X1.5	14.12	11.50	7.54	9.00	35.00	22.00
DAJCM152Q-0618	9/16"-18	M18X1.5	14.12	12.50	7.54	10.00	37.00	24.00
DAJCM152Q-0620	9/16"-18	M20X1.5	14.12	14.00	7.54	12.00	37.50	27.00



DAJCM152Q-0622	9/16"-18	M22X1.5	14.12	13.00	7.54	12.00	37.00	27.00
DAJCM152Q-0718	5/8"-18	M18X1.5	15.70	12.50	7.14	11.00	38.50	24.00
DAJCM152Q-0720	5/8"-18	M20X1.5	15.70	14.00	7.14	12.00	39.00	27.00
DAJCM152Q-0812	3/4"-16	M12X1.5	16.69	9.50	9.93	4.00	35.50	22.00
DAJCM152Q-0814	3/4"-16	M14X1.5	16.69	11.00	9.93	7.50	37.50	22.00
DAJCM152Q-0816	3/4"-16	M16X1.5	16.69	11.50	9.00	9.00	38.00	22.00
DAJCM152Q-0818	3/4"-16	M18X1.5	16.69	13.00	9.00	9.00	39.50	24.00
DAJCM152Q-0820	3/4"-16	M20X1.5	16.69	14.00	9.93	9.93	41.00	27.00
DAJCM152Q-0822	3/4"-16	M22X1.5	16.69	13.50	9.93	9.93	42.00	27.00
DAJCM152Q-0824	3/4"-16	M24X1.5	16.69	14.00	9.93	14.00	42.00	30.00
DAJCM152Q-0826	3/4"-16	M26X1.5	16.69	16.00	9.93	16.00	46.00	32.00
DAJCM152Q-1008	7/8"-14	M8X1	19.25	9.50	12.29	2.00	38.50	24.00
DAJCM152Q-1016	7/8"-14	M16X1.5	19.25	11.50	12.29	9.00	40.50	24.00
DAJCM152Q-1018	7/8"-14	M18X1.5	19.25	12.50	11.00	11.00	42.00	24.00
DAJCM152Q-1020	7/8"-14	M20X1.5	19.25	14.00	12.29	12.29	43.60	27.00
DAJCM152Q-1022	7/8"-14	M22X1.5	19.25	13.00	12.29	12.29	44.50	27.00
DAJCM152Q-1218	1-1/16"-12	M18X1.5	21.95	12.50	15.47	11.00	47.50	27.00
DAJCM152Q-1220	1-1/16"-12	M20X1.5	21.95	12.50	15.47	11.00	45.50	27.00
DAJCM152Q-1222	1-1/16"-12	M22X1.5	21.95	14.00	15.47	14.00	45.50	27.00
DAJCM152Q-1226	1-1/16"-12	M26X1.5	21.95	18.00	15.47	15.47	51.00	32.00
DAJCM152Q-1227	1-1/16"-12	M27X2	21.95	18.00	15.47	15.47	51.00	32.00
DAJCM152Q-1230	1-1/16"-12	M30X2	21.95	18.50	15.47	17.00	53.00	36.00
DAJCM152Q-1233	1-1/16"-12	M33X2	21.95	16.00	15.47	23.00	49.00	41.00
DAJCM152Q-1236	1-1/16"-12	M36X2	21.95	17.00	15.47	20.00	53.00	41.00
DAJCM152Q-1622	1-5/16"-12	M22X1.5	23.14	13.00	21.44	14.00	48.00	36.00
DAJCM152Q-1627	1-5/16"-12	M27X2	23.14	18.00	21.44	13.00	53.00	36.00
DAJCM152Q-1630	1-5/16"-12	M30X2	23.14	18.50	21.44	17.00	53.00	36.00
DAJCM152Q-1633	1-5/16"-12	M33X2	23.14	18.50	21.44	21.44	53.00	41.00
DAJCM152Q-1636	1-5/16"-12	M36X2	23.14	17.00	21.44	20.00	54.00	41.00
DAJCM152Q-2033	1-5/8"-12	M33X2	24.33	18.50	27.38	23.00	56.50	42.88
DAJCM152Q-2042	1-5/8"-12	M42X2	24.33	16.00	27.38	30.00	58.00	50.00

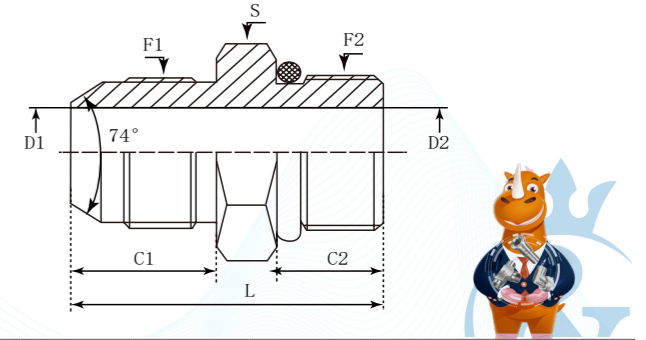
## DAJCM1525



Straight Connector JIC Male - Metric Male + O Ring Seal

<b>D</b>	<b>A</b>	<b>JC</b>	<b>M</b>	<b>1</b>	<b>52</b>	<b>5</b>
Company	Product Range	Thread Types	Connection Type	Adaptor Structure	Thread Types	Connection Type
<b>DME</b>	Adaptor	JIC UNF	Male	Straight	Metric	Male + O Ring

- DME&JDE Code:** DAJCM1525
- Product Type:** Hydraulic adaptor
- Standard:** JIC and SAE-ORB
- Structure:** Straight
- Connection Type:** Male x Male
- Thread Types:** UNF x Metric
- Sealing Method:** O Ring



PART NUMBER	F1 (Thread)	F2 (Thread)	C1	C2	D1	D2	L	S
#	UNF	BSP	mm	mm	mm	mm	mm	mm
DAJCM1525-0408	7/16"-20	M8X1	13.97	9.50	2.00	2.00	30.00	14.00
DAJCM1525-0410	7/16"-20	M10X1	13.97	9.00	4.37	4.37	30.00	14.00
DAJCM1525-0412	7/16"-20	M12X1.5	13.97	11.00	4.37	6.00	32.00	17.00
DAJCM1525-0414	7/16"-20	M14X1.5	13.97	11.00	4.37	7.50	34.00	19.00
DAJCM1525-0416	7/16"-20	M16X1.5	13.97	11.50	4.37	9.00	35.00	22.00
DAJCM1525-0418	7/16"-20	M18X1.5	13.97	12.50	4.37	10.00	36.50	24.00
DAJCM1525-0422	7/16"-20	M22X1.5	13.97	13.00	4.37	12.00	38.50	27.00
DAJCM1525-0510	1/2"-20	M10X1	13.97	9.00	5.94	4.50	30.00	17.00
DAJCM1525-0512	1/2"-20	M12X1.5	13.97	11.00	5.94	5.94	33.00	17.00
DAJCM1525-0514	1/2"-20	M14X1.5	13.97	11.00	5.94	5.94	34.50	19.00
DAJCM1525-0516	1/2"-20	M16X1.5	13.97	11.50	5.94	9.00	35.00	22.00
DAJCM1525-0610	9/16"-18	M10X1	14.12	9.00	7.54	4.50	32.00	17.00
DAJCM1525-0612	9/16"-18	M12X1.5	14.12	11.00	7.54	6.00	34.00	17.00
DAJCM1525-0614	9/16"-18	M14X1.5	14.12	11.00	7.54	7.54	33.50	19.00
DAJCM1525-0616	9/16"-18	M16X1.5	14.12	11.50	7.54	9.00	35.00	22.00
DAJCM1525-0618	9/16"-18	M18X1.5	14.12	12.50	7.54	10.00	37.00	24.00
DAJCM1525-0620	9/16"-18	M20X1.5	14.12	14.00	7.54	12.00	37.50	27.00



DAJCM1525-0622	9/16"-18	M22X1.5	14.12	13.00	7.54	12.00	37.00	27.00
DAJCM1525-0718	5/8"-18	M18X1.5	15.70	12.50	7.14	11.00	38.50	24.00
DAJCM1525-0720	5/8"-18	M20X1.5	15.70	14.00	7.14	12.00	39.00	27.00
DAJCM1525-0812	3/4"-16	M12X1.5	16.69	9.50	9.93	4.00	35.50	22.00
DAJCM1525-0814	3/4"-16	M14X1.5	16.69	11.00	9.93	7.50	37.50	22.00
DAJCM1525-0816	3/4"-16	M16X1.5	16.69	11.50	9.00	9.00	38.00	22.00
DAJCM1525-0818	3/4"-16	M18X1.5	16.69	13.00	9.00	9.00	39.50	24.00
DAJCM1525-0820	3/4"-16	M20X1.5	16.69	14.00	9.93	9.93	41.00	27.00
DAJCM1525-0822	3/4"-16	M22X1.5	16.69	13.50	9.93	9.93	42.00	27.00
DAJCM1525-0824	3/4"-16	M24X1.5	16.69	14.00	9.93	14.00	42.00	30.00
DAJCM1525-0826	3/4"-16	M26X1.5	16.69	16.00	9.93	16.00	46.00	32.00
DAJCM1525-1008	7/8"-14	M8X1	19.25	9.50	12.29	2.00	38.50	24.00
DAJCM1525-1016	7/8"-14	M16X1.5	19.25	11.50	12.29	9.00	40.50	24.00
DAJCM1525-1018	7/8"-14	M18X1.5	19.25	12.50	11.00	11.00	42.00	24.00
DAJCM1525-1020	7/8"-14	M20X1.5	19.25	14.00	12.29	12.29	43.60	27.00
DAJCM1525-1022	7/8"-14	M22X1.5	19.25	13.00	12.29	12.29	44.50	27.00
DAJCM1525-1218	1-1/16"-12	M18X1.5	21.95	12.50	15.47	11.00	47.50	27.00
DAJCM1525-1220	1-1/16"-12	M20X1.5	21.95	12.50	15.47	11.00	45.50	27.00
DAJCM1525-1222	1-1/16"-12	M22X1.5	21.95	14.00	15.47	14.00	45.50	27.00
DAJCM1525-1226	1-1/16"-12	M26X1.5	21.95	18.00	15.47	15.47	51.00	32.00
DAJCM1525-1227	1-1/16"-12	M27X2	21.95	18.00	15.47	15.47	51.00	32.00
DAJCM1525-1230	1-1/16"-12	M30X2	21.95	18.50	15.47	17.00	53.00	36.00
DAJCM1525-1233	1-1/16"-12	M33X2	21.95	16.00	15.47	23.00	49.00	41.00
DAJCM1525-1236	1-1/16"-12	M36X2	21.95	17.00	15.47	20.00	53.00	41.00
DAJCM1525-1622	1-5/16"-12	M22X1.5	23.14	13.00	21.44	14.00	48.00	36.00
DAJCM1525-1627	1-5/16"-12	M27X2	23.14	18.00	21.44	13.00	53.00	36.00
DAJCM1525-1630	1-5/16"-12	M30X2	23.14	18.50	21.44	17.00	53.00	36.00
DAJCM1525-1633	1-5/16"-12	M33X2	23.14	18.50	21.44	21.44	53.00	41.00
DAJCM1525-1636	1-5/16"-12	M36X2	23.14	17.00	21.44	20.00	54.00	41.00
DAJCM1525-2033	1-5/8"-12	M33X2	24.33	18.50	27.38	23.00	56.50	42.88
DAJCM1525-2042	1-5/8"-12	M42X2	24.33	16.00	27.38	30.00	58.00	50.00



## DAJCM1061

Straight Connector JIC Male – BSPP 60° Male with ED Ring

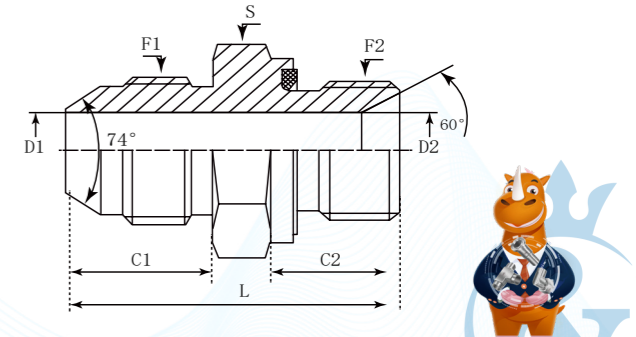
<b>D</b>	<b>A</b>	<b>JC</b>	<b>M</b>	<b>1</b>	<b>061</b>
Company	Product Range	Thread Types	Connection Type	Adaptor Structure	Thread Types
<b>DME</b>	Adaptor	JIC UNF	Male	Straight	BSPP Male with ED Ring

German Technology Equipment

SHIELD FLEX

New-Standard

- DME&JDE Code:** DAJCM1061
- Product Type:** Hydraulic adaptor
- Standard:** JIC and SAE-ORB
- Structure:** Straight
- Connection Type:** Male x Male
- Thread Types:** UNF x BSPP 60°
- Sealing Method:** ED Ring



PART NUMBER	F1 (Thread)	F2 (Thread)	C1	C2	D1	D2	L	S
#	UNF	BSPP	mm	mm	mm	mm	mm	mm
DAJCM1061-0402	7/16"-20	1/8"-28	13.97	8.00	4.00	4.00	29.00	14.00
DAJCM1061-0404	7/16"-20	1/4"-19	13.97	12.00	4.37	4.37	34.00	19.00
DAJCM1061-0406	7/16"-20	3/8"-19	13.97	12.00	4.37	7.90	34.00	22.00
DAJCM1061-0408	7/16"-20	1/2"-14	13.97	14.00	4.37	11.10	39.50	27.00
DAJCM1061-0502	1/2"-20	1/8"-28	13.97	8.00	5.94	4.00	30.50	17.00
DAJCM1061-0504	1/2"-20	1/4"-19	13.97	12.00	5.94	4.70	34.00	19.00
DAJCM1061-0506	1/2"-20	3/8"-19	13.97	12.00	5.94	7.90	36.00	22.00
DAJCM1061-0602	9/16"-18	1/8"-28	14.12	8.00	7.54	4.00	30.00	17.00
DAJCM1061-0604	9/16"-18	1/4"-19	14.12	12.00	6.00	6.00	34.00	19.00
DAJCM1061-0606	9/16"-18	3/8"-19	14.12	12.00	7.54	7.54	34.50	22.00
DAJCM1061-0608	9/16"-18	1/2"-14	14.12	14.00	7.54	12.00	38.00	27.00
DAJCM1061-0610	9/16"-18	5/8"-14	14.12	14.00	7.54	14.00	40.00	30.00
DAJCM1061-0612	9/16"-18	3/4"-14	14.12	16.00	7.54	16.70	45.00	32.00
DAJCM1061-0616	9/16"-18	1"-11	14.12	18.00	7.54	22.20	45.50	41.00
DAJCM1061-0804	3/4"-16	1/4"-19	16.69	12.00	9.93	6.00	38.50	19.00



DAJCM1061-0806	3/4"-16	3/8"-19	16.69	12.00	9.00	9.00	37.50	22.00
DAJCM1061-0808	3/4"-16	1/2"-14	16.69	14.00	9.93	12.00	39.50	27.00
DAJCM1061-0810	3/4"-16	5/8"-14	16.69	14.00	9.93	14.00	43.00	30.00
DAJCM1061-0812	3/4"-16	3/4"-14	16.69	16.00	9.93	16.70	46.70	32.00
DAJCM1061-0816	3/4"-16	1"-11	16.69	18.00	9.93	22.20	48.00	41.00
DAJCM1061-1006	7/8"-14	3/8"-19	19.25	12.00	12.29	7.90	41.30	24.00
DAJCM1061-1008	7/8"-14	1/2"-14	19.25	14.00	12.00	12.00	45.00	27.00
DAJCM1061-1010	7/8"-14	5/8"-14	19.25	14.00	12.29	12.29	45.30	30.00
DAJCM1061-1012	7/8"-14	3/4"-14	19.25	16.00	12.29	16.70	49.00	32.00
DAJCM1061-1016	7/8"-14	1"-11	19.25	18.00	12.29	22.20	50.80	41.00
DAJCM1061-1206	1-1/16"-12	3/8"-19	21.95	12.00	15.47	7.90	48.00	27.00
DAJCM1061-1208	1-1/16"-12	1/2"-14	21.95	14.00	15.47	12.00	48.00	27.00
DAJCM1061-1210	1-1/16"-12	5/8"-14	21.95	14.00	14.00	14.00	50.00	30.00
DAJCM1061-1212	1-1/16"-12	3/4"-14	21.95	16.00	15.47	15.47	52.00	32.00
DAJCM1061-1216	1-1/16"-12	1"-11	21.95	18.00	15.47	22.20	53.50	41.00
DAJCM1061-1220	1-1/16"-12	1-1/4"-11	21.95	20.00	15.47	28.60	56.00	50.00
DAJCM1061-1412	1-3/16"-12	3/4"-14	23.00	16.00	16.70	16.70	53.00	32.00
DAJCM1061-1612	1-5/16"-12	3/4"-14	23.14	16.00	21.44	16.70	52.50	36.00
DAJCM1061-1616	1-5/16"-12	1"-11	23.14	18.00	21.44	21.44	55.00	41.00
DAJCM1061-1620	1-5/16"-12	1-1/4"-11	23.14	20.00	21.44	28.60	57.50	50.00
DAJCM1061-1624	1-5/16"-12	1-1/2"-11	23.14	22.00	21.44	33.30	62.00	55.00
DAJCM1061-2012	1-5/8"-12	3/4"-14	24.33	16.00	27.38	16.70	54.50	46.00
DAJCM1061-2016	1-5/8"-12	1"-11	24.33	18.00	27.38	23.00	58.50	46.00
DAJCM1061-2020	1-5/8"-12	1-1/4"-11	24.33	20.00	27.38	27.38	58.50	50.00
DAJCM1061-2024	1-5/8"-12	1-1/2"-11	24.33	22.00	27.38	33.30	63.50	55.00
DAJCM1061-2420	1-7/8"-12	1-1/4"-11	27.51	20.00	33.32	30.00	62.00	50.00
DAJCM1061-2424	1-7/8"-12	1-1/2"-11	27.51	22.00	33.32	33.32	65.00	55.00
DAJCM1061-2432	1-7/8"-12	2"-11	27.51	22.00	33.32	45.25	68.00	70.00
DAJCM1061-3232	2-1/2"-12	2"-11	33.86	22.00	45.25	45.25	74.00	70.00



## DAJCM1521

Straight Connector JIC Male – Metric Male with ED Ring

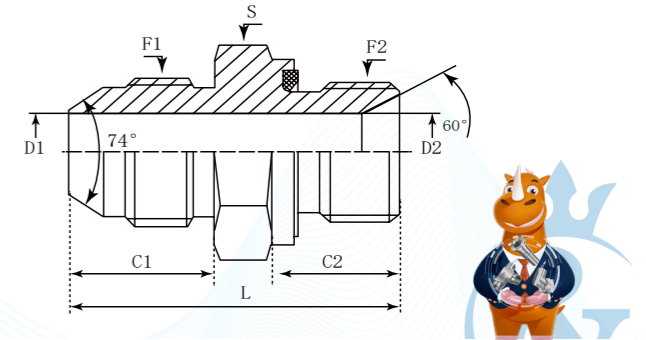
<b>D</b>	<b>A</b>	<b>JC</b>	<b>M</b>	<b>1</b>	<b>521</b>
Company	Product Range	Thread Types	Connection Type	Adaptor Structure	Connection Type
<b>DME</b>	Adaptor	JIC UNF	Male	Straight	Metric Male with ED Ring

German Technology Equipment

SHIELD FLEX

New-Standard

- DME&JDE Code:** DAJCM1521
- Product Type:** Hydraulic adaptor
- Standard:** JIC and SAE-ORB
- Structure:** Straight
- Connection Type:** Male x Male
- Thread Types:** UNF x Metric
- Sealing Method:** ED Ring



PART NUMBER	F1 (Thread)	F2 (Thread)	C1	C2	D1	D2	L	S
#	UNF	Metric	mm	mm	mm	mm	mm	mm
DAJCM1521-0408	7/16"-20	M8X1	13.97	8.00	3.00	3.00	31.00	14.00
DAJCM1521-0410	7/16"-20	M10X1	13.97	8.00	4.37	4.37	31.00	14.00
DAJCM1521-0412	7/16"-20	M12X1.5	13.97	12.00	4.37	4.37	34.00	17.00
DAJCM1521-0414	7/16"-20	M14X1.5	13.97	12.00	4.37	7.00	35.50	19.00
DAJCM1521-0416	7/16"-20	M16X1.5	13.97	12.00	4.37	4.37	36.50	22.00
DAJCM1521-0418	7/16"-20	M18X1.5	13.97	12.00	4.37	9.00	35.00	24.00
DAJCM1521-0422	7/16"-20	M22X1.5	13.97	14.00	4.37	12.00	38.50	27.00
DAJCM1521-0510	1/2"-20	M10X1	13.97	8.00	5.94	4.40	31.00	14.00
DAJCM1521-0514	1/2"-20	M14X1.5	13.97	12.00	5.94	5.94	33.00	19.00
DAJCM1521-0608	9/16"-18	M8X1	14.12	8.00	7.54	3.00	30.00	17.00
DAJCM1521-0610	9/16"-18	M10X1	14.12	8.00	7.54	4.40	30.00	17.00
DAJCM1521-0612	9/16"-18	M12X1.5	14.12	12.00	6.00	6.00	34.50	17.00
DAJCM1521-0614	9/16"-18	M14X1.5	14.12	12.00	7.00	7.00	33.00	19.00
DAJCM1521-0616	9/16"-18	M16X1.5	14.12	12.00	7.54	7.54	36.50	22.00
DAJCM1521-0618	9/16"-18	M18X1.5	14.12	12.00	7.54	7.54	35.00	24.00
DAJCM1521-0620	9/16"-18	M20X1.5	14.12	14.00	7.54	12.00	37.70	27.00
DAJCM1521-0622	9/16"-18	M22X1.5	14.12	14.00	7.54	12.00	38.20	27.00
DAJCM1521-0627	9/16"-18	M27X2	14.12	16.00	7.54	15.00	41.20	32.00



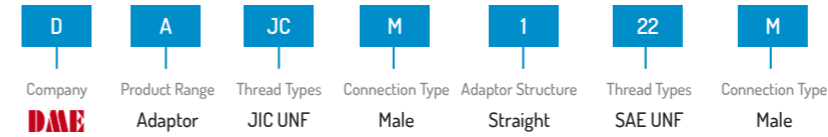


DAJCM1521-0812	3/4"-16	M12X1.5	16.69	12.00	9.93	6.00	38.50	19.00
DAJCM1521-0814	3/4"-16	M14X1.5	16.69	12.00	9.93	7.00	38.50	22.00
DAJCM1521-0816	3/4"-16	M16X1.5	16.69	12.00	9.00	9.00	37.70	22.00
DAJCM1521-0818	3/4"-16	M18X1.5	16.69	12.00	9.93	9.93	39.00	24.00
DAJCM1521-0822	3/4"-16	M22X1.5	16.69	14.00	9.93	12.00	40.70	27.00
DAJCM1521-0826	3/4"-16	M26X1.5	16.69	16.00	9.93	15.00	45.00	32.00
DAJCM1521-0827	3/4"-16	M27X1.5	16.69	16.00	9.93	15.00	44.00	32.00
DAJCM1521-0833	3/4"-16	M33X1.5	16.69	18.00	9.93	20.00	45.50	41.00
DAJCM1521-1016	7/8"-14	M16X1.5	19.25	12.00	12.29	9.00	41.00	24.00
DAJCM1521-1018	7/8"-14	M18X1.5	19.25	12.00	12.30	9.00	41.50	24.00
DAJCM1521-1022	7/8"-14	M22X1.5	19.25	14.00	12.29	12.29	43.50	27.00
DAJCM1521-1026	7/8"-14	M26X1.5	19.25	16.00	12.29	12.29	47.30	32.00
DAJCM1521-1027	7/8"-14	M27X2	19.25	16.00	12.29	12.29	47.30	32.00
DAJCM1521-1218	1-1/16"-12	M18X1.5	21.95	12.00	15.47	9.00	44.00	30.00
DAJCM1521-1220	1-1/16"-12	M20X1.5	21.95	14.00	15.47	12.00	46.00	27.00
DAJCM1521-1222	1-1/16"-12	M22X1.5	21.95	14.00	15.47	12.00	46.50	30.00
DAJCM1521-1226	1-1/16"-12	M26X1.5	21.95	16.00	15.47	15.47	50.00	32.00
DAJCM1521-1230	1-1/16"-12	M30X2	21.95	18.00	15.47	21.50	50.00	36.00
DAJCM1521-1233	1-5/16"-12	M33X2	21.95	18.00	15.47	20.00	50.50	41.00
DAJCM1521-1622	1-5/16"-12	M22X1.5	23.14	14.00	21.44	12.00	48.00	36.00
DAJCM1521-1626	1-5/16"-12	M26X1.5	23.14	16.00	21.44	13.00	50.00	36.00
DAJCM1521-1627	1-5/16"-12	M27X2	23.14	16.00	21.44	15.00	50.00	36.00
DAJCM1521-1630	1-5/16"-12	M30X2	23.14	18.00	21.44	21.44	51.00	36.00
DAJCM1521-1633	1-5/16"-12	M33X2	23.14	18.00	21.44	21.44	51.50	41.00
DAJCM1521-1642	1-5/16"-12	M42X2	23.14	20.00	21.44	25.00	59.00	50.00
DAJCM1521-2033	1-5/8"-11	M33X2	24.33	18.00	27.38	23.00	56.50	46.00
DAJCM1521-2042	1-5/8"-11	M42X2	24.33	20.00	27.38	27.38	59.50	50.00
DAJCM1521-2048	1-5/8"-11	M48X2	24.33	22.00	27.38	36.00	66.00	55.00
DAJCM1521-2442	1-7/8"-12	M42X2	27.51	20.00	33.32	28.60	63.50	50.00
DAJCM1521-2448	1-7/8"-12	M48X2	27.51	22.00	33.32	33.32	67.50	55.00

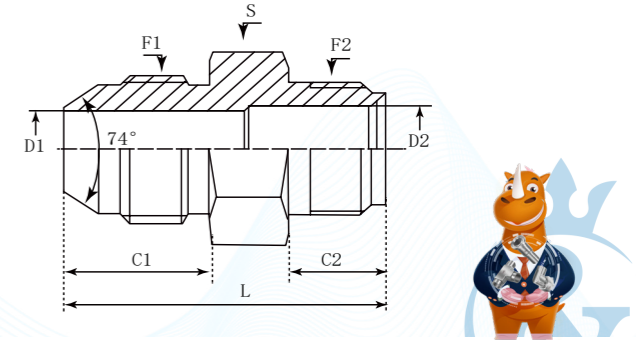


## DAJCM122M

Straight Connector JIC Male – SAE Male Inverted Flare



- DME&JDE Code:** DAJCM122M
- Product Type:** Hydraulic adaptor
- Standard:** JIC and SAE-ORB
- Structure:** Straight
- Connection Type:** Male x Male
- Thread Types:** UNF x UNF



PART NUMBER	F1 (Thread)	F2 (Thread)	C1	C2	L	D1	D2	S	Hex
#	UNF	UNF	mm	mm	mm	mm	mm	-	-
DAJCM122M-0403	7/16"-20	3/8"-24	13.97	9.10	29.80	4.37	4.93	12 mm	Metric
DAJCM122M-0404	7/16"-20	7/16"-20	13.97	9.10	29.80	4.37	6.53	14 mm	Metric
DAJCM122M-0403IN	7/16"-20	3/8"-24	13.97	9.10	29.80	4.37	4.93	1/2"	Imperial
DAJCM122M-0404IN	7/16"-20	7/16"-20	13.97	9.10	29.80	4.37	6.53	9/16"	Imperial
DAJCM122M-0505	1/2"-20	1/2"-20	13.97	10.20	31.00	5.94	8.10	17 mm	Metric
DAJCM122M-0505IN	1/2"-20	1/2"-20	13.97	10.20	31.00	5.94	8.10	5/8"	Imperial
DAJCM122M-0605	9/16"-18	1/2"-20	14.12	10.20	31.20	7.54	7.54	17 mm	Metric
DAJCM122M-0606	9/16"-18	9/16"-24	14.12	10.20	31.20	7.54	7.54	17 mm	Metric
DAJCM122M-0607	9/16"-18	5/8"-18	14.12	10.20	32.20	7.54	9.70	17 mm	Metric
DAJCM122M-0605IN	9/16"-18	1/2"-20	14.12	10.20	31.20	7.54	7.54	5/8"	Imperial
DAJCM122M-0606IN	9/16"-18	9/16"-24	14.12	10.20	31.20	7.54	7.54	11/16"	Imperial
DAJCM122M-0607IN	9/16"-18	5/8"-18	14.12	10.20	32.20	7.54	9.70	11/16"	Imperial
DAJCM122M-0705	5/8"-18	1/2"-20	15.70	10.20	33.80	7.14	7.14	17 mm	Metric
DAJCM122M-0707	5/8"-18	5/8"-18	15.70	10.20	33.80	7.14	9.70	17 mm	Metric
DAJCM122M-0705IN	5/8"-18	1/2"-20	15.70	10.20	33.80	7.14	7.14	11/16"	Imperial
DAJCM122M-0707IN	5/8"-18	5/8"-18	15.70	10.20	33.80	7.14	9.70	11/16"	Imperial
DAJCM122M-0807	3/4"-16	5/8"-18	16.69	10.20	35.70	9.70	9.70	22 mm	Metric
DAJCM122M-0808	3/4"-16	3/4"-16	16.69	11.20	36.00	9.90	9.90	22 mm	Metric
DAJCM122M-0807IN	3/4"-16	5/8"-18	16.69	10.20	35.70	9.70	9.70	13/16"	Imperial
DAJCM122M-0808IN	3/4"-16	3/4"-16	16.69	11.20	36.00	9.90	9.90	7/8"	Imperial



## DAJCM152M

Straight Connector JIC Male Cone – Metric Male 60° Cone

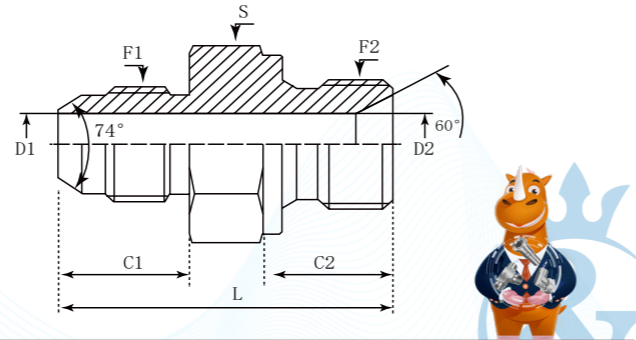
<b>D</b>	<b>A</b>	<b>JC</b>	<b>M</b>	<b>1</b>	<b>52</b>	<b>M</b>
Company	Product Range	Thread Types	Connection Type	Adaptor Structure	Thread Types	Connection Type
<b>DME</b>	Adaptor	JIC UNF	Male	Straight	Metric	Male

German Technology Equipment

**SHIELD FLEX**

New-Standard

- DME&JDE Code: **DAJCM152M**
- Product Type: **Hydraulic adaptor**
- Standard: **JIC and SAE-ORB**
- Structure: **Straight**
- Connection Type: **Male x Male**
- Thread Types: **UNF Conex Metric 60° Cone**



PART NUMBER	F1 (Thread)	F2 (Thread)	C1	C2	D1	D2	L	S
#	UNF	Metric	mm	mm	mm	mm	mm	-
DAJCM152M-0312	3/8"-24	M12X1.5	12.20	10.00	3.18	3.18	31.20	17.00
DAJCM152M-0406	7/16"-20	M6X1	13.97	8.00	4.37	2.00	29.50	12.00
DAJCM152M-0410	7/16"-20	M10X1	13.97	8.00	3.50	3.50	29.50	14.00
DAJCM152M-0412	7/16"-20	M12X1.5	13.97	10.00	4.00	4.00	31.50	17.00
DAJCM152M-0414	7/16"-20	M14X1.5	13.97	12.00	4.37	6.00	35.00	19.00
DAJCM152M-0612	9/16"-18	M12X1.5	14.12	10.00	7.54	4.00	31.50	17.00
DAJCM152M-0614	9/16"-18	M14X1.5	14.12	12.00	6.00	6.00	35.00	19.00
DAJCM152M-0616	9/16"-18	M16X1.5	14.12	12.00	7.54	7.54	35.50	22.00
DAJCM152M-0618	9/16"-18	M18X1.5	14.12	12.00	7.54	10.00	34.00	24.00
DAJCM152M-0620	9/16"-18	M20X1.5	14.12	14.00	7.54	12.00	40.00	27.00
DAJCM152M-0622	9/16"-18	M22X1.5	14.12	14.00	7.54	14.10	39.00	27.00
DAJCM152M-0812	3/4"-16	M12X1.5	16.69	10.00	9.93	4.00	37.00	22.00
DAJCM152M-0814	3/4"-16	M14X1.5	16.69	12.00	9.93	6.00	37.50	19.00
DAJCM152M-0818	3/4"-16	M18X1.5	16.69	12.00	9.93	9.93	36.50	24.00
DAJCM152M-0820	3/4"-16	M20X1.5	16.69	14.00	9.93	12.00	42.50	27.00
DAJCM152M-0822	3/4"-16	M22X1.5	16.69	14.00	9.93	14.10	41.50	27.00
DAJCM152M-0824	3/4"-16	M24X1.5	16.69	14.00	9.93	15.50	43.00	30.00
DAJCM152M-1016	7/8"-14	M16X1.5	19.25	12.00	12.29	8.00	42.50	24.00
DAJCM152M-1018	7/8"-14	M18X1.5	19.25	12.00	12.29	10.00	40.00	24.00
DAJCM152M-1022	7/8"-14	M22X1.5	19.25	14.00	12.29	12.29	44.00	27.00
DAJCM152M-1025	7/8"-14	M25X1.5	19.25	16.00	12.29	14.50	49.00	30.00
DAJCM152M-1026	7/8"-14	M26X1.5	19.25	16.00	12.29	15.00	50.00	32.00
DAJCM152M-1030	7/8"-14	M30X2	19.25	18.00	12.29	21.50	51.50	36.00
DAJCM152M-1216	1-1/16"-12	M16X1.5	21.95	12.00	15.47	8.00	46.00	27.00
DAJCM152M-1222	1-1/16"-12	M22X1.5	21.95	14.00	15.47	14.10	49.00	27.00
DAJCM152M-1224	1-1/16"-12	M24X1.5	21.95	14.00	15.47	15.47	48.50	30.00
DAJCM152M-1225	1-1/16"-12	M25X1.5	21.95	16.00	14.50	14.50	52.00	30.00
DAJCM152M-1226	1-1/16"-12	M26X1.5	21.95	16.00	15.00	15.00	52.00	32.00
DAJCM152M-1227	1-1/16"-12	M27X2	21.95	16.00	15.47	15.47	52.00	32.00
DAJCM152M-1230	1-1/16"-12	M30X2	21.95	18.00	15.47	21.50	53.50	36.00
DAJCM152M-1236	1-1/16"-12	M36X2	21.95	18.00	15.47	25.00	55.00	46.00
DAJCM152M-1630	1-5/16"-12	M30X2	23.14	18.00	21.44	21.44	54.50	36.00
DAJCM152M-1633	1-5/16"-12	M33X2	23.14	19.00	21.44	21.44	57.00	41.00
DAJCM152M-1642	1-5/16"-12	M42X2	23.14	20.00	21.44	28.60	58.60	50.00
DAJCM152M-1645	1-5/16"-12	M45X2	23.14	20.00	21.44	32.00	63.80	55.00
DAJCM152M-2045	1-5/8"-12	M45X2	24.33	20.00	27.38	32.00	65.00	55.00
DAJCM152M-2050	1-5/8"-12	M50X2	24.33	20.00	27.38	35.00	64.00	60.00

## DAJCM105M

Straight Connector JIC Male – BSPP 60° Male

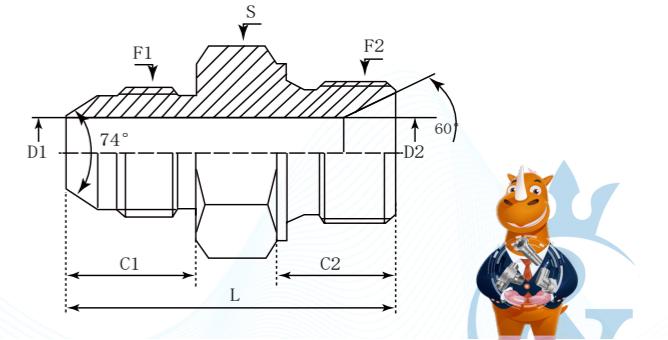
<b>D</b>	<b>A</b>	<b>JC</b>	<b>M</b>	<b>1</b>	<b>05</b>	<b>M</b>
Company	Product Range	Thread Types	Connection Type	Adaptor Structure	Thread Types	Connection Type
<b>DME</b>	Adaptor	JIC UNF	Male	Straight	BSPP	Male

German Technology Equipment

**SHIELD FLEX**

New-Standard

- DME&JDE Code: **DAJCM105M**
- Product Type: **Hydraulic adaptor**
- Standard: **JIC and SAE-ORB**
- Structure: **Straight**
- Connection Type: **Male x Male**
- Thread Types: **UNF x BSPP 60°**



PART NUMBER	F1 (Thread)	F2 (Thread)	C1	C2	D1	D2	L	S
#	UNF	BSPP	mm	mm	mm	mm	mm	mm
DAJCM105M-0204	5/16"-24	1/4"-19	11.38	11.00	1.57	4.70	32.00	19.00
DAJCM105M-0402	7/16"-20	1/8"-28	13.97	8.00	3.50	3.50	29.00	14.00
DAJCM105M-0404	7/16"-20	1/4"-19	13.97	11.00	4.37	4.37	34.50	19.00
DAJCM105M-0406	7/16"-20	3/8"-19	13.97	12.00	4.37	7.90	34.00	22.00
DAJCM105M-0408	7/16"-20	1/2"-14	13.97	14.00	4.37	11.10	38.00	27.00
DAJCM105M-0412	7/16"-20	3/4"-14	13.97	16.00	4.37	16.70	41.00	32.00
DAJCM105M-0502	1/2"-20	1/8"-28	13.97	8.00	5.94	3.50	29.00	14.00
DAJCM105M-0504	1/2"-20	1/4"-19	13.97	11.00	4.70	4.70	34.50	19.00
DAJCM105M-0506	1/2"-20	3/8"-19	13.97	12.00	5.94	7.90	33.50	22.00
DAJCM105M-0508	1/2"-20	1/2"-14	13.97	14.00	5.94	11.10	38.00	27.00
DAJCM105M-0602	9/16"-18	1/8"-28	14.12	8.00	7.54	3.50	30.00	17.00
DAJCM105M-0604	9/16"-18	1/4"-19	14.12	11.00	7.54	4.70	34.50	19.00
DAJCM105M-0606	9/16"-18	3/8"-19	14.12	12.00	7.54	7.54	34.50	22.00
DAJCM105M-0608	9/16"-18	1/2"-14	14.12	14.00	7.54	11.10	38.00	27.00
DAJCM105M-0610	9/16"-18	5/8"-14	14.12	16.00	7.54	14.00	42.00	30.00
DAJCM105M-0612	9/16"-18	3/4"-14	14.12	16.00	7.54	16.70	42.00	32.00
DAJCM105M-0706	5/8"-18	3/8"-19	15.70	12.00	7.14	7.14	35.30	22.00
DAJCM105M-0804	3/4"-16	1/4"-19	16.69	11.00	9.93	4.70	36.00	19.00
DAJCM105M-0806	3/4"-16	3/8"-19	16.69	12.00	9.93	7.90	37.50	22.00

DAJCM105M-0808	3/4"-16	1/2"-14	16.69	14.00	9.93	9.93	41.00	27.00
DAJCM105M-0810	3/4"-16	5/8"-14	16.69	16.00	9.93	14.00	43.50	30.00
DAJCM105M-0812	3/4"-16	3/4"-14	16.69	16.00	9.93	16.70	45.00	32.00
DAJCM105M-0816	3/4"-16	1"-11	16.69	19.00	9.93	22.20	47.50	41.00
DAJCM105M-1004	7/8"-14	1/4"-19	19.25	11.00	12.29	4.70	42.00	24.00
DAJCM105M-1006	7/8"-14	3/8"-19	19.25	12.00	12.29	7.90	40.50	24.00
DAJCM105M-1008	7/8"-14	1/2"-14	19.25	14.00	11.10	11.10	43.50	27.00
DAJCM105M-1010	7/8"-14	5/8"-14	19.25	16.00	12.29	12.29	47.00	30.00
DAJCM105M-1012	7/8"-14	3/4"-14	19.25	16.00	12.29	16.70	47.50	32.00
DAJCM105M-1016	7/8"-14	1"-11	19.25	19.00	12.29	22.20	49.80	41.00
DAJCM105M-1206	1-1/16"-12	3/8"-19	21.95	12.00	15.47	7.90	46.00	30.00
DAJCM105M-1208	1-1/16"-12	1/2"-14	21.95	14.00	15.47	11.10	47.00	27.00
DAJCM105M-1212	1-1/16"-12	3/4"-14	21.95	16.00	15.47	15.47	50.00	32.00
DAJCM105M-1216	1-1/16"-12	1"-11	21.95	19.00	15.47	22.20	52.50	41.00
DAJCM105M-1220	1-1/16"-12	1-1/4"-11	21.95	20.00	15.47	28.60	56.00	50.00
DAJCM105M-1224	1-1/16"-12	1-1/2"-11	21.95	22.00	15.47	33.30	60.00	55.00
DAJCM105M-1412	1-3/16"-12	3/4"-14	23.00	16.00	16.70	16.70	51.00	32.00
DAJCM105M-1416	1-3/16"-12	1"-11	23.00	19.00	18.00	22.20	55.00	41.00
DAJCM105M-1608	1-5/16"-12	1/2"-14	23.14	14.00	21.44	11.10	49.00	36.00
DAJCM105M-1612	1-5/16"-12	3/4"-14	23.14	16.00	21.44	16.70	51.00	36.00
DAJCM105M-1616	1-5/16"-12	1"-11	23.14	19.00	21.44	21.44	53.50	41.00
DAJCM105M-1620	1-5/16"-12	1 1/4"-11	23.14	20.00	21.44	28.60	57.00	50.00
DAJCM105M-2012	1-5/8"-12	3/4"-14	24.33	16.00	27.38	16.70	54.50	46.00
DAJCM105M-2016	1-5/8"-12	1"-11	24.33	19.00	27.38	22.20	55.50	46.00
DAJCM105M-2020	1-5/8"-12	1-1/4"-11	24.33	20.00	27.38	27.38	58.50	50.00
DAJCM105M-2024	1-5/8"-12	1-1/2"-11	24.33	22.00	27.38	33.30	62.30	55.00
DAJCM105M-2032	1-5/8"-12	2"-11	24.33	25.00	27.38	45.25	67.00	70.00
DAJCM105M-2416	1-7/8"-12	1"-11	27.51	19.00	33.32	22.20	60.50	50.00
DAJCM105M-2420	1-7/8"-12	1-1/4"-11	27.51	20.00	33.32	28.60	61.50	50.00
DAJCM105M-2424	1-7/8"-12	1-1/2"-11	27.51	22.00	33.30	33.30	65.50	55.00
DAJCM105M-2432	1-7/8"-12	2"-11	27.51	25.00	33.30	45.25	70.15	70.00
DAJCM105M-3220	2-1/2"-12	1-1/4"-11	33.86	20.00	45.25	28.60	69.50	65.00
DAJCM105M-3224	2-1/2"-12	1-1/2"-11	33.86	22.00	45.25	33.30	71.50	65.00
DAJCM105M-3232	2-1/2"-12	2"-11	33.86	25.00	45.25	45.25	76.50	70.00



## DAJCM107M

Straight Connector JIC Male – BSPT Male 60°

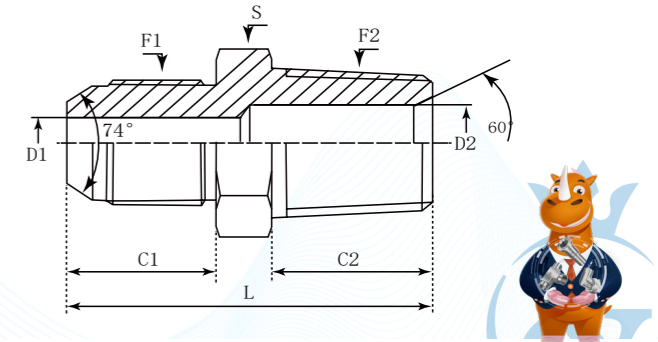
<b>D</b>	<b>A</b>	<b>JC</b>	<b>M</b>	<b>1</b>	<b>07</b>	<b>M</b>
Company	Product Range	Thread Types	Connection Type	Adaptor Structure	Thread Types	Connection Type
<b>DME</b>	Adaptor	JIC UNF	Male	Straight	BSPT	Male

German Technology Equipment

SHIELD FLEX

New-Standard

- DME&JDE Code:** DAJCM107M
- Product Type:** Hydraulic adaptor
- Standard:** JIC and SAE-ORB
- Structure:** Straight
- Connection Type:** Male x Male
- Thread Types:** UNF x BSPT 60°



PART NUMBER	F1 (Thread)	F2 (Thread)	C1	C2	D1	D2	L	S
#	UNF	BSPT	mm	mm	mm	mm	mm	mm
DAJCM107M-0202	5/16"-24	1/8"-28	11.38	10.00	1.57	4.50	28.00	12.00
DAJCM107M-0302	3/8"-24	1/8"-28	12.00	10.00	3.20	3.20	28.00	12.00
DAJCM107M-0402	7/16"-20	1/8"-28	13.97	10.00	4.37	4.37	30.00	12.00
DAJCM107M-0404	7/16"-20	1/4"-19	13.97	14.00	4.37	6.00	34.50	17.00
DAJCM107M-0406	7/16"-20	3/8"-19	13.97	15.00	4.37	9.00	36.00	19.00
DAJCM107M-0408	7/16"-20	1/2"-14	13.97	19.00	4.37	12.00	41.00	24.00
DAJCM107M-0412	7/16"-20	3/4"-14	13.97	20.00	4.37	16.70	43.50	30.00
DAJCM107M-0504	1/2"-20	1/4"-19	13.97	13.00	5.94	5.94	33.00	14.00
DAJCM107M-0508	1/2"-20	1/2"-14	13.97	19.00	5.94	12.00	42.00	24.00
DAJCM107M-0602	9/16"-18	1/8"-28	14.12	10.00	7.54	4.50	31.00	17.00
DAJCM107M-0604	9/16"-18	1/4"-19	14.12	14.00	6.00	6.00	34.00	17.00
DAJCM107M-0606	9/16"-18	3/8"-19	14.12	15.00	7.54	9.00	36.50	19.00
DAJCM107M-0608	9/16"-18	1/2"-14	14.12	19.00	7.54	12.00	41.00	24.00
DAJCM107M-0702	5/8"-18	1/8"-28	15.70	10.00	7.14	4.50	33.00	17.00
DAJCM107M-0704	5/8"-18	1/4"-19	15.70	14.00	7.14	6.00	37.00	17.00
DAJCM107M-0706	5/8"-18	3/8"-19	15.70	15.00	7.14	9.00	38.50	19.00
DAJCM107M-0708	5/8"-18	1/2"-14	15.70	19.00	7.14	12.00	45.00	24.00

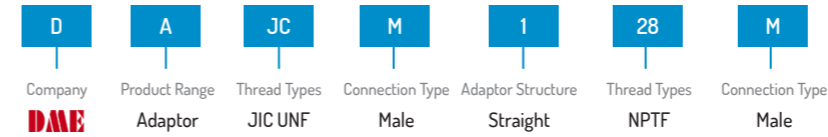




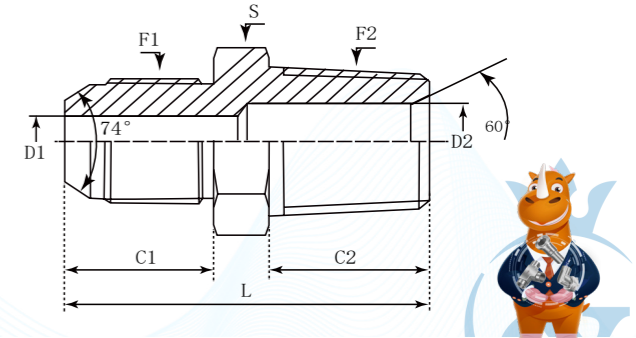
DAJCM107M-0804	3/4"-16	1/4"-19	16.69	14.00	9.93	6.00	39.00	22.00
DAJCM107M-0806	3/4"-16	3/8"-19	16.69	15.00	9.00	9.00	40.00	22.00
DAJCM107M-0808	3/4"-16	1/2"-14	16.69	19.00	9.93	12.00	47.50	22.00
DAJCM107M-0810	3/4"-16	5/8"-14	16.70	19.00	9.93	14.00	44.50	24.00
DAJCM107M-0812	3/4"-16	3/4"-14	16.70	20.00	9.93	16.70	46.00	30.00
DAJCM107M-0816	3/4"-16	1"-11	16.70	24.00	9.93	22.20	53.00	36.00
DAJCM107M-1006	7/8"-14	3/8"-19	19.25	15.00	12.29	9.00	42.50	24.00
DAJCM107M-1008	7/8"-14	1/2"-14	19.25	19.00	12.00	12.00	46.50	22.00
DAJCM107M-1010	7/8"-14	5/8"-14	19.25	19.00	12.29	14.00	48.00	24.00
DAJCM107M-1012	7/8"-14	3/4"-14	19.25	20.00	12.29	16.70	48.50	30.00
DAJCM107M-1206	1-1/16"-12	3/8"-19	21.95	15.00	15.47	9.00	47.00	30.00
DAJCM107M-1208	1-1/16"-12	1/2"-14	21.95	19.00	15.47	12.00	50.00	27.00
DAJCM107M-1212	1-1/16"-12	3/4"-14	21.95	20.00	15.47	15.47	52.00	27.00
DAJCM107M-1216	1-1/16"-12	1"-11	21.95	24.00	15.47	22.20	57.50	36.00
DAJCM107M-1220	1-1/16"-12	1-1/4"-11	21.95	25.00	15.47	28.60	61.50	46.00
DAJCM107M-1224	1-1/16"-12	1-1/2"-11	21.95	25.00	15.47	33.30	62.50	50.00
DAJCM107M-1412	1-3/16"-12	3/4"-14	23.00	20.00	16.70	16.70	54.00	31.75
DAJCM107M-1416	1-3/16"-12	1"-11	23.00	24.00	16.70	22.20	57.00	36.00
DAJCM107M-1608	1-5/16"-12	1/2"-14	23.14	19.00	21.44	12.00	53.50	36.00
DAJCM107M-1612	1-5/16"-12	3/4"-14	23.14	20.00	21.44	16.70	53.00	36.00
DAJCM107M-1616	1-5/16"-12	1"-11	23.14	24.00	21.44	21.44	59.00	36.00
DAJCM107M-1620	1-5/16"-12	1-1/4"-11	23.14	25.00	21.44	28.60	61.50	46.00
DAJCM107M-1624	1-5/16"-12	1-1/2"-11	23.14	25.00	21.44	33.30	64.50	50.00
DAJCM107M-2016	1-5/8"-12	1"-11	24.33	24.00	27.38	22.20	62.50	46.00
DAJCM107M-2020	1-5/8"-12	1-1/4"-11	24.33	25.00	26.50	26.50	61.00	43.00
DAJCM107M-2024	1-5/8"-12	1 1/2"-11	24.33	25.00	27.38	33.30	66.50	50.00
DAJCM107M-2032	1-5/8"-12	2"-11	24.33	30.00	27.38	46.00	71.50	65.00
DAJCM107M-2420	1-7/8"-12	1-1/4"-11	27.50	25.00	33.32	28.60	67.50	50.00
DAJCM107M-2424	1-7/8"-12	1-1/2"-11	27.50	25.00	33.32	33.30	68.00	50.00
DAJCM107M-2432	1-7/8"-12	2"-11	27.50	30.00	33.32	46.00	74.50	65.00
DAJCM107M-3224	2-1/2"-12	1 1/2"-11	33.86	25.00	45.25	33.30	75.00	65.00
DAJCM107M-3232	2-1/2"-12	2"-11	33.86	34.00	45.24	45.24	84.00	65.00

## DAJCM128M

Straight Connector JIC Male – NPTF Male 60°



- DME&JDE Code:** DAJCM128M
- Product Type:** Hydraulic adaptor
- Standard:** JIC and SAE-ORB
- Structure:** Straight
- Connection Type:** Male x Male
- Thread Types:** UNF x NPTF 60°



PART NUMBER	F1 (Thread)	F2 (Thread)	C1	C2	D1	D2	L	S	Hex
#	UNF	NPTF	mm	mm	mm	mm	mm	-	-
DAJCM128M-0202	5/16"-24	1/8"-27	11.38	9.65	1.57	4.78	28.20	11 mm	Metric
DAJCM128M-0204	5/16"-24	1/4"-18	11.38	14.22	1.57	7.14	33.50	17 mm	Metric
DAJCM128M-0202IN	5/16"-24	1/8"-27	11.38	9.65	1.57	4.78	28.20	7/16"	Imperial
DAJCM128M-0204IN	5/16"-24	1/4"-18	11.38	14.22	1.57	7.14	33.50	5/8"	Imperial
DAJCM128M-0302	3/8"-24	1/8"-27	12.00	9.65	3.20	4.78	29.00	11 mm	Metric
DAJCM128M-0304	3/8"-24	1/4"-18	12.00	14.22	3.20	7.14	34.30	17 mm	Metric
DAJCM128M-0302IN	3/8"-24	1/8"-27	12.00	9.65	3.20	4.78	29.00	7/16"	Imperial
DAJCM128M-0304IN	3/8"-24	1/4"-18	12.00	14.22	3.20	7.14	34.30	5/8"	Imperial
DAJCM128M-0402	7/16"-20	1/8"-27	13.97	9.65	4.37	4.78	31.00	14 mm	Metric
DAJCM128M-0404	7/16"-20	1/4"-18	13.97	14.22	4.37	7.14	36.07	14 mm	Metric
DAJCM128M-0406	7/16"-20	3/8"-18	13.97	14.22	4.37	10.31	36.10	19 mm	Metric
DAJCM128M-0408	7/16"-20	1/2"-14	13.97	19.05	4.37	13.49	42.70	22 mm	Metric
DAJCM128M-0412	7/16"-20	3/4"-14	13.97	19.05	4.37	18.26	44.45	27 mm	Metric
DAJCM128M-0402IN	7/16"-20	1/8"-27	13.97	9.65	4.37	4.78	31.00	1/2"	Imperial
DAJCM128M-0404IN	7/16"-20	1/4"-18	13.97	14.22	4.37	7.14	36.07	9/16"	Imperial
DAJCM128M-0406IN	7/16"-20	3/8"-18	13.97	14.22	4.37	10.31	36.10	3/4"	Imperial
DAJCM128M-0408IN	7/16"-20	1/2"-14	13.97	19.05	4.37	13.49	42.70	7/8"	Imperial
DAJCM128M-0412IN	7/16"-20	3/4"-14	13.97	19.05	4.37	18.26	44.45	1-1/8"	Imperial
DAJCM128M-0502	1/2"-20	1/8"-27	13.97	9.65	5.94	4.78	31.00	14 mm	Metric
DAJCM128M-0504	1/2"-20	1/4"-18	13.97	14.22	5.94	7.14	36.10	14 mm	Metric
DAJCM128M-0506	1/2"-20	3/8"-18	13.97	14.22	5.94	10.31	36.10	19 mm	Metric
DAJCM128M-0508	1/2"-20	1/2"-14	13.97	19.05	5.94	13.49	42.70	22 mm	Metric
DAJCM128M-0502IN	1/2"-20	1/8"-27	13.97	9.65	5.94	4.78	31.00	9/16"	Imperial
DAJCM128M-0504IN	1/2"-20	1/4"-18	13.97	14.22	5.94	7.14	36.10	9/16"	Imperial
DAJCM128M-0506IN	1/2"-20	3/8"-18	13.97	14.22	5.94	10.31	36.10	3/4"	Imperial
DAJCM128M-0508IN	1/2"-20	1/2"-14	13.97	19.05	5.94	13.49	42.70	7/8"	Imperial
DAJCM128M-0602	9/16"-18	1/8"-27	14.12	9.65	7.54	4.78	31.50	17 mm	Metric
DAJCM128M-0604	9/16"-18	1/4"-18	14.12	14.22	7.14	7.14	36.32	17 mm	Metric

Table with 10 columns: Part Number, Dimensions, Length, Weight, etc. Rows include DAJCM128M-0606, DAJCM128M-0608, DAJCM128M-0612, DAJCM128M-0616, DAJCM128M-0602IN, DAJCM128M-0604IN, DAJCM128M-0606IN, DAJCM128M-0608IN, DAJCM128M-0612IN, DAJCM128M-0616IN, DAJCM128M-0704, DAJCM128M-0706, DAJCM128M-0704IN, DAJCM128M-0706IN, DAJCM128M-0802, DAJCM128M-0804, DAJCM128M-0806, DAJCM128M-0808, DAJCM128M-0812, DAJCM128M-0816, DAJCM128M-0802IN, DAJCM128M-0804IN, DAJCM128M-0806IN, DAJCM128M-0808IN, DAJCM128M-0812IN, DAJCM128M-0816IN, DAJCM128M-1004, DAJCM128M-1006, DAJCM128M-1008, DAJCM128M-1012, DAJCM128M-1016, DAJCM128M-1004IN, DAJCM128M-1006IN, DAJCM128M-1008IN, DAJCM128M-1012IN, DAJCM128M-1016IN, DAJCM128M-1204, DAJCM128M-1206, DAJCM128M-1208, DAJCM128M-1212, DAJCM128M-1216, DAJCM128M-1220, DAJCM128M-1224, DAJCM128M-1232, DAJCM128M-1204IN, DAJCM128M-1206IN, DAJCM128M-1208IN, DAJCM128M-1212IN, DAJCM128M-1216IN, DAJCM128M-1220IN.

Table with 10 columns: Part Number, Dimensions, Length, Weight, etc. Rows include DAJCM128M-1224IN, DAJCM128M-1232IN, DAJCM128M-1408, DAJCM128M-1412, DAJCM128M-1416, DAJCM128M-1408IN, DAJCM128M-1412IN, DAJCM128M-1416IN, DAJCM128M-1606, DAJCM128M-1608, DAJCM128M-1612, DAJCM128M-1616, DAJCM128M-1620, DAJCM128M-1624, DAJCM128M-1632, DAJCM128M-1606IN, DAJCM128M-1608IN, DAJCM128M-1612IN, DAJCM128M-1616IN, DAJCM128M-1620IN, DAJCM128M-1624IN, DAJCM128M-1632IN, DAJCM128M-2012, DAJCM128M-2016, DAJCM128M-2020, DAJCM128M-2024, DAJCM128M-2032, DAJCM128M-2012IN, DAJCM128M-2016IN, DAJCM128M-2020IN, DAJCM128M-2024IN, DAJCM128M-2032IN, DAJCM128M-2412, DAJCM128M-2416, DAJCM128M-2420, DAJCM128M-2424, DAJCM128M-2432, DAJCM128M-2412IN, DAJCM128M-2416IN, DAJCM128M-2420IN, DAJCM128M-2424IN, DAJCM128M-2432IN, DAJCM128M-3220, DAJCM128M-3224, DAJCM128M-3232, DAJCM128M-3240, DAJCM128M-3220IN, DAJCM128M-3224IN, DAJCM128M-3232IN, DAJCM128M-3240IN.

## DAJCM152JM

Straight Connector JIC Male – JIS Metric Male 60°

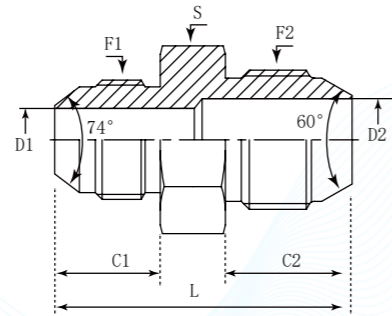
<b>D</b>	<b>A</b>	<b>JC</b>	<b>M</b>	<b>1</b>	<b>52J</b>	<b>M</b>
Company	Product Range	Thread Types	Connection Type	Adaptor Structure	Thread Types	Connection Type
<b>DME</b>	Adaptor	JIC UNF	Male	Straight	JIS Metric	Male

German Technology Equipment

SHIELD FLEX

New-Standard

- DME&JDE Code: **DAJCM152JM**
- Product Type: **Hydraulic adaptor**
- Standard: **JIC and SAE-ORB**
- Structure: **Straight**
- Connection Type: **Male x Male**
- Thread Types: **UNF x JIS Metric 60°**



PART NUMBER	F1 (Thread)	F2 (Thread)	C1	C2	D1	D2	L	S
#	UNF	JIS Metric	mm	mm	mm	mm	mm	-
DAJCM152JM-0414	7/16"-20	M14X1.5	13.97	17.00	4.37	4.37	37.00	17.00
DAJCM152JM-0616	9/16"-18	M16X1.5	14.12	18.00	7.00	7.00	40.00	17.00
DAJCM152JM-0618	9/16"-18	M18X1.5	14.12	18.00	7.54	7.54	40.50	19.00
DAJCM152JM-0822	3/4"-16	M22X1.5	16.69	20.00	9.93	12.00	47.00	24.00
DAJCM152JM-1024	7/8"-14	M24X1.5	19.25	21.50	12.29	15.00	51.00	27.00
DAJCM152JM-1230	1-1/16"-12	M30X1.5	21.95	26.00	15.47	18.50	59.00	32.00
DAJCM152JM-1633	1-5/16"-12	M33X1.5	23.14	30.00	20.00	20.00	64.00	36.00

## DAJCM105JM

Straight Connector JIC Male – JIS BSPP Male 60°

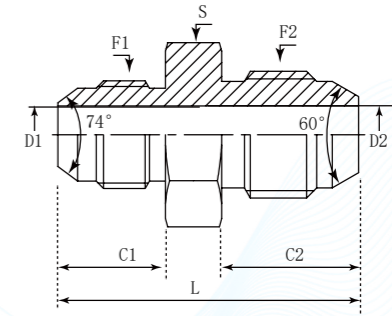
<b>D</b>	<b>A</b>	<b>JC</b>	<b>M</b>	<b>1</b>	<b>05</b>	<b>J</b>	<b>M</b>
Company	Product Range	Thread Types	Connection Type	Adaptor Structure	Thread Types	Thread Type	Connection Type
<b>DME</b>	Adaptor	JIC UNF	Male	Straight	BSPP	JIS	Male

German Technology Equipment

SHIELD FLEX

New-Standard

- DME&JDE Code: **DAJCM105JM**
- Product Type: **Hydraulic adaptor**
- Standard: **JIC and SAE-ORB**
- Structure: **Straight**
- Connection Type: **Male x Male**
- Thread Types: **UNF x JIS BSPP 60°**



PART NUMBER	F1 (Thread)	F2 (Thread)	C1	C2	D1	D2	L	S
#	UNF	BSPP	mm	mm	mm	mm	mm	mm
DAJCM105JM-0402	7/16"-20	1/8"-28	13.97	12.00	3.20	3.20	32.00	14.00
DAJCM105JM-0606	9/16"-18	3/8"-19	14.12	18.00	7.54	7.54	40.50	19.00
DAJCM105JM-0808	3/4"-16	1/2"-14	16.69	20.00	9.93	9.93	45.00	22.00
DAJCM105JM-1212	1-1/16"-12	3/4"-14	21.95	22.00	15.47	15.47	55.00	30.00
DAJCM105JM-1616	1-5/16"-12	1"-11	23.14	24.00	20.00	20.00	60.00	36.00
DAJCM105JM-2020	1-5/8"-12	1-1/4"-11	24.33	27.00	27.38	27.38	65.00	46.00
DAJCM105JM-2424	1-7/8"-12	1-1/2"-11	27.51	27.00	33.32	33.32	69.50	50.00





## DAJCM105F

Straight Connector JIC Male – BSPP Female 60°

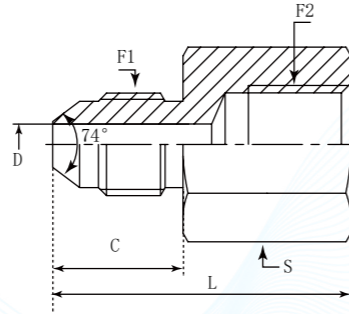
<b>D</b>	<b>A</b>	<b>JC</b>	<b>M</b>	<b>1</b>	<b>05</b>	<b>F</b>
Company	Product Range	Thread Types	Connection Type	Adaptor Structure	Thread Types	Connection Type
<b>DME</b>	Adaptor	JIC UNF	Male	Straight	BSPP	Female

German Technology Equipment

SHIELD FLEX

New-Standard

- DME&JDE Code: **DAJCM105F**
- Product Type: **Hydraulic adaptor**
- Standard: **JIC and SAE-ORB**
- Structure: **Straight**
- Connection Type: **Male x Female**
- Thread Types: **UNF x BSPP 60°**



PART NUMBER	F1 (Thread)	F2 (Thread)	C	D	L	S
#	UNF	BSPP	mm	mm	mm	mm
DAJCM105F-0402	7/16"-20	1/8"-28	13.97	4.37	29.50	14.00
DAJCM105F-0404	7/16"-20	1/4"-19	13.97	4.37	34.00	19.00
DAJCM105F-0406	7/16"-20	3/8"-19	13.97	4.37	34.00	22.00
DAJCM105F-0408	7/16"-20	1/2"-14	13.97	4.37	38.00	27.00
DAJCM105F-0504	1/2"-20	1/4"-19	13.97	5.94	35.50	19.00
DAJCM105F-0508	1/2"-20	1/2"-14	13.97	5.94	38.00	27.00
DAJCM105F-0602	9/16"-18	1/8"-28	14.12	7.54	29.00	17.00
DAJCM105F-0604	9/16"-18	1/4"-19	14.12	7.54	35.50	19.00
DAJCM105F-0606	9/16"-18	3/8"-19	14.12	7.54	34.00	22.00
DAJCM105F-0608	9/16"-18	1/2"-14	14.12	7.54	38.00	27.00
DAJCM105F-0802	3/4"-16	1/8"-28	16.69	9.93	37.50	19.00
DAJCM105F-0804	3/4"-16	1/4"-19	16.69	9.93	37.50	19.00
DAJCM105F-0806	3/4"-16	3/8"-19	16.69	9.93	36.50	22.00
DAJCM105F-0808	3/4"-16	1/2"-14	16.69	9.93	40.80	27.00
DAJCM105F-0812	3/4"-16	3/4"-14	16.69	9.93	45.50	32.00
DAJCM105F-1008	7/8"-14	1/2"-14	19.25	12.29	45.00	27.00
DAJCM105F-1010	7/8"-14	5/8"-14	19.25	12.29	48.00	32.00
DAJCM105F-1206	1-1/16"-12	3/8"-19	21.95	15.47	41.00	27.00
DAJCM105F-1208	1-1/16"-12	1/2"-14	21.95	15.47	46.00	27.00
DAJCM105F-1212	1-1/16"-12	3/4"-14	21.95	15.47	48.00	32.00
DAJCM105F-1616	1-5/16"-12	1"-11	23.14	21.44	55.00	41.00
DAJCM105F-2020	1-5/8"-12	1-1/4"-11	24.33	27.38	57.50	50.00
DAJCM105F-2424	1-7/8"-12	1-1/2"-11	27.51	33.32	65.50	55.00
DAJCM105F-3232	2-1/2"-12	2"-11	33.86	45.25	72.00	70.00

## DAJCM107F

Straight Connector JIC Male – BSPT Female

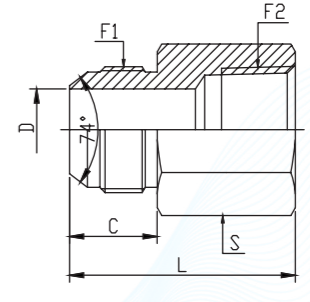
<b>D</b>	<b>A</b>	<b>JC</b>	<b>M</b>	<b>1</b>	<b>07</b>	<b>F</b>
Company	Product Range	Thread Types	Connection Type	Adaptor Structure	Thread Types	Connection Type
<b>DME</b>	Adaptor	JIC UNF	Male	Straight	BSPT	Female

German Technology Equipment

SHIELD FLEX

New-Standard

- DME&JDE Code: **DAJCM107F**
- Product Type: **Hydraulic adaptor**
- Standard: **JIC and SAE-ORB**
- Structure: **Straight**
- Connection Type: **Male x Female**
- Thread Types: **UNF x BSPT**



PART NUMBER	F1 (Thread)	F2 (Thread)	C	D	L	S	Cross Number
#	UNF	BSPT	mm	mm	mm	mm	-
DAJCM107F-0402	7/16"-20	1/8"-28	13.97	4.37	30.00	14.00	AB-02-07
DAJCM107F-0404	7/16"-20	1/4"-19	13.97	4.37	35.50	19.00	AB-04-07
DAJCM107F-0504	1/2"-20	1/4"-19	13.97	5.94	35.50	19.00	AB-04-08
DAJCM107F-0604	9/16"-18	1/4"-19	14.12	7.54	35.50	19.00	AB-04-09
DAJCM107F-0606	9/16"-18	3/8"-19	14.12	7.54	36.50	22.00	AB-06-09
DAJCM107F-0608	9/16"-18	1/2"-14	14.12	7.54	42.50	27.00	AB-08-09
DAJCM107F-0806	3/4"-16	3/8"-19	16.69	9.93	39.50	22.00	AB-06-12
DAJCM107F-0808	3/4"-16	1/2"-14	16.69	9.93	45.50	27.00	AB-08-12
DAJCM107F-1004	7/8"-14	1/4"-19	19.25	12.29	42.00	27.00	AB-04-14
DAJCM107F-1008	7/8"-14	1/2"-14	19.25	12.29	48.00	27.00	AB-08-14
DAJCM107F-1212	1-1/16"-12	3/4"-14	21.95	15.47	52.50	36.00	AB-12-17
DAJCM107F-1616	1-5/16"-12	1"-11	23.14	21.44	59.50	41.00	AB-16-21

## DAJCM152F

Straight Connector JIC Male – Metric Fixed Female

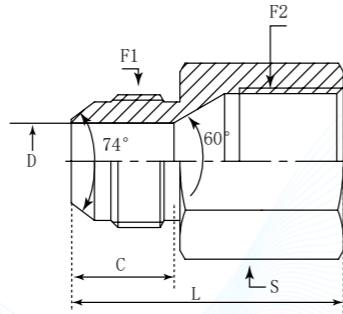
<b>D</b>	<b>A</b>	<b>JC</b>	<b>M</b>	<b>1</b>	<b>52</b>	<b>F</b>
Company	Product Range	Thread Types	Connection Type	Adaptor Structure	Thread Types	Connection Type
<b>DME</b>	Adaptor	JIC UNF	Male	Straight	Metric	Female

German Technology Equipment

**SHIELD FLEX**

New-Standard

- DME&JDE Code: **DAJCM152F**
- Product Type: **Hydraulic adaptor**
- Standard: **JIC and SAE-ORB**
- Structure: **Straight**
- Connection Type: **Male x Fixed Female**
- Thread Types: **UNF x Metric**



PART NUMBER	F1 (Thread)	F2 (Thread)	C	D	L	S
#	UNF	Metric	mm	mm	mm	mm
DAJCM152F-0414	7/16"-20	M14x1.5	13.97	4.37	33.5	19
DAJCM152F-0618	9/16"-18	M18x1.5	14.12	7.54	35.5	24
DAJCM152F-0822	3/4"-16	M22x1.5	16.69	9.93	38.5	27
DAJCM152F-1024	7/8"-14	M24x1.5	19.25	12.29	44	32
DAJCM152F-1230	1-1/16"-12	M30x1.5	21.95	15.47	51	36
DAJCM152F-1633	1-5/16"-12	M33x1.5	23.14	21.44	54.61	41



## DAJCM105JF

Straight Connector JIC Male – JIS BSPP Fixed Female

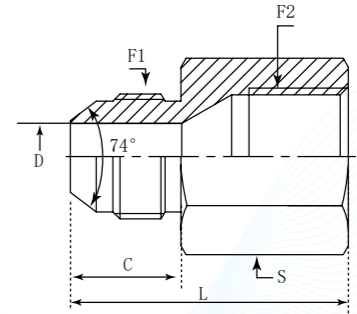
<b>D</b>	<b>A</b>	<b>JC</b>	<b>M</b>	<b>1</b>	<b>05J</b>	<b>F</b>
Company	Product Range	Thread Types	Connection Type	Adaptor Structure	Thread Types	Connection Type
<b>DME</b>	Adaptor	JIC UNF	Male	Straight	JIS BSPP	Female

German Technology Equipment

**SHIELD FLEX**

New-Standard

- DME&JDE Code: **DAJCM105JF**
- Product Type: **Hydraulic adaptor**
- Standard: **JIC and SAE-ORB**
- Structure: **Straight**
- Connection Type: **Male x Fixed Female**
- Thread Types: **UNF x JIS BSPP**



PART NUMBER	F1 (Thread)	F2 (Thread)	C	D	L	S
#	UNF	BSPP	mm	mm	mm	mm
DAJCM105JF-0404	7/16"-20	1/4"-19	13.97	4.37	36.00	19.00
DAJCM105JF-0604	9/16"-18	1/4"-19	14.12	7.54	36.50	19.00
DAJCM105JF-0606	9/16"-18	3/8"-19	14.12	7.54	35.05	22.00
DAJCM105JF-0806	3/4"-16	3/8"-19	16.69	9.93	36.00	24.00
DAJCM105JF-0808	3/4"-16	1/2"-14	16.69	9.93	37.00	27.00
DAJCM105JF-1616	1-5/16"-12	1"-11	23.14	19.69	54.10	41.00
DAJCM105JF-2020	1-5/8"-12	1-1/4"-11	24.33	27.38	60.00	50.00
DAJCM105JF-2424	1-7/8"-12	1-1/2"-11	27.51	33.32	66.50	55.00



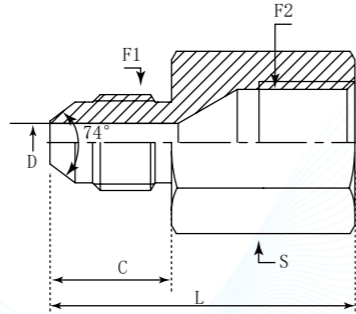
## DAJCM152JF

Straight Connector JIC Male – JIS Metric Female

<b>D</b>	<b>A</b>	<b>JC</b>	<b>M</b>	<b>1</b>	<b>52J</b>	<b>F</b>
Company	Product Range	Thread Types	Connection Type	Adaptor Structure	Thread Types	Connection Type
<b>DME</b>	Adaptor	JIC UNF	Male	Straight	JIS Metric	Female



- DME&JDE Code: DAJCM152F
- Product Type: Hydraulic adaptor
- Standard: JIC and SAE-ORB
- Structure: Straight
- Connection Type: Male x Female
- Thread Types: UNF x JIS Metric



PART NUMBER	F1 (Thread)	F2 (Thread)	C	D	L	S
#	UNF	Metric	mm	mm	mm	mm
DAJCM152JF-0414	7/16"-20	M14X1.5	13.97	4.37	35.00	19.00
DAJCM152JF-0618	9/16"-18	M18X1.5	14.12	7.54	36.83	24.00
DAJCM152JF-0822	3/4"-16	M22X1.5	16.69	9.93	42.50	26.97
DAJCM152JF-1024	7/8"-14	M24X1.5	19.25	12.29	41.90	31.75
DAJCM152JF-1230	1-1/16"-12	M30X1.5	21.95	15.47	48.50	36.00
DAJCM152JF-1633	1-5/16"-12	M33X1.5	23.14	21.44	54.61	41.00

Web: <https://www.dmejde.com>  
E-mail: [info@dmejde.com](mailto:info@dmejde.com)



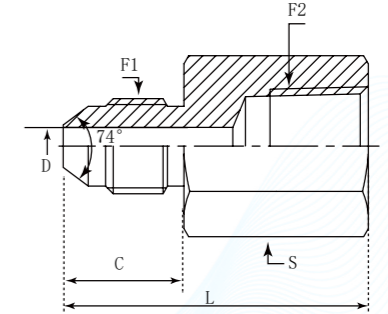
## DAJCM128F

Straight Connector JIC Male – NPTF Female

<b>D</b>	<b>A</b>	<b>JC</b>	<b>M</b>	<b>1</b>	<b>28</b>	<b>F</b>
Company	Product Range	Thread Types	Connection Type	Adaptor Structure	Thread Types	Connection Type
<b>DME</b>	Adaptor	JIC UNF	Male	Straight	NPTF	Female



- DME&JDE Code: DAJCM128F
- Product Type: Hydraulic adaptor
- Standard: JIC and SAE-ORB
- Structure: Straight
- Connection Type: Male x Female
- Thread Types: UNF x NPTF



PART NUMBER	F1 (Thread)	F2 (Thread)	C	D	L	S	Hex
#	UNF	BSPP	mm	mm	mm	mm	-
DAJCM128F-0202	5/16"-24	1/8"-27	11.38	1.57	28.50	14 mm	Metric
DAJCM128F-0204	5/16"-24	1/4"-18	11.38	1.57	32.80	19 mm	Metric
DAJCM128F-0202IN	5/16"-24	1/8"-27	11.38	1.57	28.50	9/16"	Imperial
DAJCM128F-0204IN	5/16"-24	1/4"-18	11.38	1.57	32.80	3/4"	Imperial
DAJCM128F-0302	3/8"-24	1/8"-27	12.00	3.20	28.70	14 mm	Metric
DAJCM128F-0304	3/8"-24	1/4"-18	12.17	3.18	33.40	19 mm	Metric
DAJCM128F-0302IN	3/8"-24	1/8"-27	12.00	3.20	28.70	9/16"	Imperial
DAJCM128F-0304IN	3/8"-24	1/4"-18	12.17	3.18	33.40	3/4"	Imperial
DAJCM128F-0402	7/16"-20	1/8"-27	13.97	4.37	30.20	14 mm	Metric
DAJCM128F-0404	7/16"-20	1/4"-18	13.97	4.37	35.30	19 mm	Metric
DAJCM128F-0406	7/16"-20	3/8"-18	13.97	4.37	36.80	22 mm	Metric
DAJCM128F-0408	7/16"-20	1/2"-14	13.97	4.37	42.70	29 mm	Metric
DAJCM128F-0402IN	7/16"-20	1/8"-27	13.97	4.37	30.20	9/16"	Imperial
DAJCM128F-0404IN	7/16"-20	1/4"-18	13.97	4.37	35.30	3/4"	Imperial
DAJCM128F-0406IN	7/16"-20	3/8"-18	13.97	4.37	36.80	7/8"	Imperial
DAJCM128F-0408IN	7/16"-20	1/2"-14	13.97	4.37	42.70	1-1/8"	Imperial
DAJCM128F-0502	1/2"-20	1/8"-27	13.97	5.94	29.70	14 mm	Metric
DAJCM128F-0504	1/2"-20	1/4"-18	13.97	5.94	35.60	19 mm	Metric
DAJCM128F-0506	1/2"-20	3/8"-18	13.97	5.94	36.80	22 mm	Metric
DAJCM128F-0502IN	1/2"-20	1/8"-27	13.97	5.94	29.70	9/16"	Imperial
DAJCM128F-0504IN	1/2"-20	1/4"-18	13.97	5.94	35.60	3/4"	Imperial
DAJCM128F-0506IN	1/2"-20	3/8"-18	13.97	5.94	36.80	7/8"	Imperial
DAJCM128F-0602	9/16"-18	1/8"-27	14.12	7.54	31.20	16 mm	Metric
DAJCM128F-0604	9/16"-18	1/4"-18	14.12	7.14	35.60	19 mm	Metric
DAJCM128F-0606	9/16"-18	3/8"-18	14.12	7.54	39.60	22 mm	Metric
DAJCM128F-0608	9/16"-18	1/2"-14	14.12	7.54	42.90	29 mm	Metric
DAJCM128F-0612	9/16"-18	3/4"-14	14.12	7.54	44.45	36 mm	Metric
DAJCM128F-0602IN	9/16"-18	1/8"-27	14.12	7.54	31.20	5/8"	Imperial
DAJCM128F-0604IN	9/16"-18	1/4"-18	14.12	7.14	35.60	3/4"	Imperial
DAJCM128F-0606IN	9/16"-18	3/8"-18	14.12	7.54	39.60	7/8"	Imperial

Web: <https://www.dmejde.com>  
E-mail: [info@dmejde.com](mailto:info@dmejde.com)

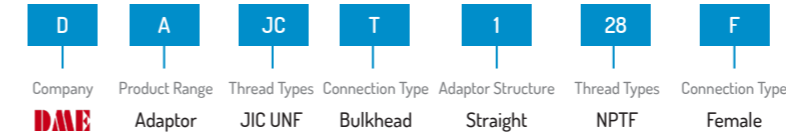




DAJCM128F-0608IN	9/16"-18	1/2"-14	14.12	7.54	42.90	1-1/8"	Imperial
DAJCM128F-0612IN	9/16"-18	3/4"-14	14.12	7.54	44.45	1-3/8"	Imperial
DAJCM128F-0804	3/4"-16	1/4"-18	16.69	9.93	39.40	22 mm	Metric
DAJCM128F-0806	3/4"-16	3/8"-18	16.69	9.93	39.60	22 mm	Metric
DAJCM128F-0808	3/4"-16	1/2"-14	16.69	9.93	45.50	29 mm	Metric
DAJCM128F-0812	3/4"-16	3/4"-14	16.69	9.93	47.10	36 mm	Metric
DAJCM128F-0816	3/4"-16	1"-11-1/2	16.69	9.93	53.30	41 mm	Metric
DAJCM128F-0804IN	3/4"-16	1/4"-18	16.69	9.93	39.40	13/16"	Imperial
DAJCM128F-0806IN	3/4"-16	3/8"-18	16.69	9.93	39.60	7/8"	Imperial
DAJCM128F-0808IN	3/4"-16	1/2"-14	16.69	9.93	45.50	1-1/8"	Imperial
DAJCM128F-0812IN	3/4"-16	3/4"-14	16.69	9.93	47.10	1-3/8"	Imperial
DAJCM128F-0816IN	3/4"-16	1"-11-1/2	16.69	9.93	53.30	1-5/8"	Imperial
DAJCM128F-1006	7/8"-14	3/8"-18	19.25	12.29	42.40	24 mm	Metric
DAJCM128F-1008	7/8"-14	1/2"-14	19.25	12.29	48.00	29 mm	Metric
DAJCM128F-1012	7/8"-14	3/4"-14	19.25	12.29	49.70	36 mm	Metric
DAJCM128F-1016	7/8"-14	1"-11-1/2	19.25	12.29	55.90	41 mm	Metric
DAJCM128F-1006IN	7/8"-14	3/8"-18	19.25	12.29	42.40	15/16"	Imperial
DAJCM128F-1008IN	7/8"-14	1/2"-14	19.25	12.29	48.00	1-1/8"	Imperial
DAJCM128F-1012IN	7/8"-14	3/4"-14	19.25	12.29	49.70	1-3/8"	Imperial
DAJCM128F-1016IN	7/8"-14	1"-11-1/2	19.25	12.29	55.90	1-5/8"	Imperial
DAJCM128F-1206	1-1/16"-12	3/8"-18	21.95	15.47	47.80	29 mm	Metric
DAJCM128F-1208	1-1/16"-12	1/2"-14	21.95	15.47	52.10	29 mm	Metric
DAJCM128F-1212	1-1/16"-12	3/4"-14	21.95	15.47	52.30	36 mm	Metric
DAJCM128F-1216	1-1/16"-12	1"-11-1/2	21.95	15.47	58.60	41 mm	Metric
DAJCM128F-1206IN	1-1/16"-12	3/8"-18	21.95	15.47	47.80	1-1/8"	Imperial
DAJCM128F-1208IN	1-1/16"-12	1/2"-14	21.95	15.47	52.10	1-1/8"	Imperial
DAJCM128F-1212IN	1-1/16"-12	3/4"-14	21.95	15.47	52.30	1-3/8"	Imperial
DAJCM128F-1216IN	1-1/16"-12	1"-11-1/2	21.95	15.47	58.60	1-5/8"	Imperial
DAJCM128F-1412	1-3/16"-12	3/4"-14	23.00	18.00	52.32	36 mm	Metric
DAJCM128F-1412IN	1-3/16"-12	3/4"-14	23.00	18.00	52.32	1-3/8"	Imperial
DAJCM128F-1612	1-5/16"-12	3/4"-14	23.14	21.44	53.90	36 mm	Metric
DAJCM128F-1616	1-5/16"-12	1"-11-1/2	23.14	21.44	59.70	41 mm	Metric
DAJCM128F-1620	1-5/16"-12	1-1/4"-11-1/2	23.14	21.44	62.00	50 mm	Metric
DAJCM128F-1624	1-5/16"-12	1-1/2"-11-1/2	23.14	21.44	62.20	59 mm	Metric
DAJCM128F-1612IN	1-5/16"-12	3/4"-14	23.14	21.44	53.90	1-3/8"	Imperial
DAJCM128F-1616IN	1-5/16"-12	1"-11-1/2	23.14	21.44	59.70	1-5/8"	Imperial
DAJCM128F-1620IN	1-5/16"-12	1-1/4"-11-1/2	23.14	21.44	62.00	2"	Imperial
DAJCM128F-1624IN	1-5/16"-12	1-1/2"-11-1/2	23.14	21.44	62.20	2-5/16"	Imperial
DAJCM128F-2016	1-5/8"-12	1"-11-1/2	24.33	27.38	62.70	43 mm	Metric
DAJCM128F-2020	1-5/8"-12	1-1/4"-11-1/2	24.33	27.38	63.30	50 mm	Metric
DAJCM128F-2024	1-5/8"-12	1-1/2"-11-1/2	24.33	27.38	63.30	59 mm	Metric
DAJCM128F-2016IN	1-5/8"-12	1"-11-1/2	24.33	27.38	62.70	1-11/16"	Imperial
DAJCM128F-2020IN	1-5/8"-12	1-1/4"-11-1/2	24.33	27.38	63.30	2"	Imperial
DAJCM128F-2024IN	1-5/8"-12	1-1/2"-11-1/2	24.33	27.38	63.30	2-5/16"	Imperial
DAJCM128F-2420	1-7/8"-12	1-1/4"-11-1/2	27.51	33.32	63.40	50 mm	Metric
DAJCM128F-2424	1-7/8"-12	1-1/2"-11-1/2	27.51	33.32	66.60	59 mm	Metric
DAJCM128F-2432	1-7/8"-12	2"-11-1/2	27.50	33.32	69.10	73 mm	Metric
DAJCM128F-2420IN	1-7/8"-12	1-1/4"-11-1/2	27.51	33.32	63.40	2"	Imperial
DAJCM128F-2424IN	1-7/8"-12	1-1/2"-11-1/2	27.51	33.32	66.60	2-5/16"	Imperial
DAJCM128F-2432IN	1-7/8"-12	2"-11-1/2	27.50	33.32	69.10	2-7/8"	Imperial
DAJCM128F-3224	2-1/2"-12	1-1/2"-11-1/2	33.86	45.24	74.93	67 mm	Metric
DAJCM128F-3232	2-1/2"-12	2"-11-1/2	33.86	45.24	75.40	73 mm	Metric
DAJCM128F-3224IN	2-1/2"-12	1-1/2"-11-1/2	33.86	45.24	74.93	2-5/8"	Imperial
DAJCM128F-3232IN	2-1/2"-12	2"-11-1/2	33.86	45.24	75.40	2-7/8"	Imperial

**DAJCT128F**

Straight Connector Bulkhead JIC Male – NPTF Female

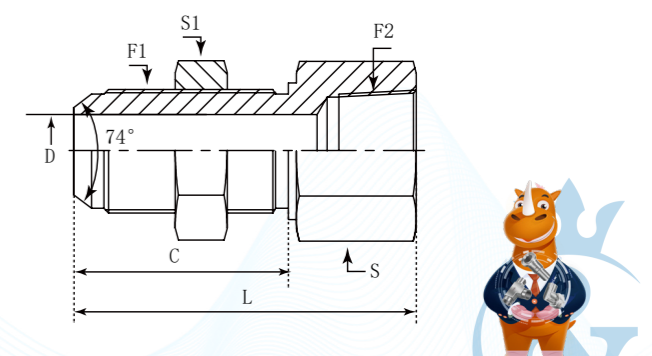


German Technology Equipment

SHIELD FLEX

New-Standard

- DME&JDE Code: **DAJCT128F**
- Product Type: **Hydraulic adaptor**
- Standard: **JIC and SAE-ORB**
- Structure: **Straight**
- Connection Type: **Male x Female**
- Thread Types: **UNF x NPTF**
- Other Features: **Bulkhead**

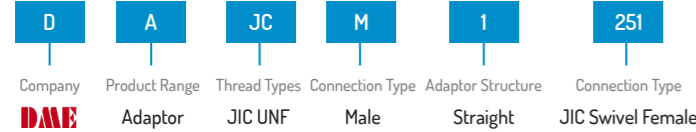


PART NUMBER	F1 (Thread)	F2 (Thread)	C	D	L	S	S1	Hex
#	UNF	NPTF	mm	mm	mm	-	-	-
DAJCT128F-0402	7/16"-20	1/8"-27	30.48	4.37	46.70	17 mm	17 mm	Metric
DAJCT128F-0404	7/16"-20	1/4"-18	30.48	4.37	52.83	19 mm	17 mm	Metric
DAJCT128F-0406	7/16"-20	3/8"-18	30.48	4.37	55.60	22 mm	17 mm	Metric
DAJCT128F-0402IN	7/16"-20	1/8"-27	30.48	4.37	46.70	11/16"	11/16"	Imperial
DAJCT128F-0404IN	7/16"-20	1/4"-18	30.48	4.37	52.83	3/4"	11/16"	Imperial
DAJCT128F-0406IN	7/16"-20	3/8"-18	30.48	4.37	55.60	7/8"	11/16"	Imperial
DAJCT128F-0604	9/16"-18	1/4"-18	32.51	7.54	55.12	22 mm	22 mm	Metric
DAJCT128F-0606	9/16"-18	3/8"-18	32.51	7.54	56.39	22 mm	22 mm	Metric
DAJCT128F-0608	9/16"-18	1/2"-14	32.51	7.54	62.50	30 mm	22 mm	Metric
DAJCT128F-0604IN	9/16"-18	1/4"-18	32.51	7.54	55.12	13/16"	13/16"	Imperial
DAJCT128F-0606IN	9/16"-18	3/8"-18	32.51	7.54	56.39	7/8"	13/16"	Imperial
DAJCT128F-0608IN	9/16"-18	1/2"-14	32.51	7.54	62.50	1-1/8"	13/16"	Imperial
DAJCT128F-0806	3/4"-16	3/8"-18	36.60	9.93	59.40	27 mm	27 mm	Metric
DAJCT128F-0808	3/4"-16	1/2"-14	36.58	9.93	66.30	30 mm	27 mm	Metric
DAJCT128F-0806IN	3/4"-16	3/8"-18	36.60	9.93	59.40	1"	1"	Imperial
DAJCT128F-0808IN	3/4"-16	1/2"-14	36.58	9.93	66.30	1-1/8"	1"	Imperial
DAJCT128F-1008	7/8"-14	1/2"-14	40.13	12.29	70.10	30 mm	30 mm	Metric
DAJCT128F-1008IN	7/8"-14	1/2"-14	40.13	12.29	70.10	1-1/8"	1-1/8"	Imperial
DAJCT128F-1212	1-1/16"-12	3/4"-14	44.45	15.47	75.95	36 mm	36 mm	Metric
DAJCT128F-1212IN	1-1/16"-12	3/4"-14	44.45	15.47	75.95	1-3/8"	1-3/8"	Imperial
DAJCT128F-1412	1-3/16"-12	3/4"-14	44.45	18.26	76.00	41 mm	41 mm	Metric
DAJCT128F-1412IN	1-3/16"-12	3/4"-14	44.45	18.26	76.00	1-1/2"	1-1/2"	Imperial
DAJCT128F-1616	1-5/16"-12	1"-11-1/2	44.45	21.44	82.04	55 mm	55 mm	Metric
DAJCT128F-1616IN	1-5/16"-12	1"-11-1/2	44.45	21.44	82.04	1-5/8"	1-5/8"	Imperial
DAJCT128F-2020	1-5/8"-12	1-1/4"-11-1/2	45.70	27.38	84.80	50 mm	50 mm	Metric
DAJCT128F-2020IN	1-5/8"-12	1-1/4"-11-1/2	45.70	27.38	84.80	2"	1-7/8"	Imperial
DAJCT128F-2424	1-7/8"-12	1-1/2"-11-1/2	45.97	33.32	86.00	60 mm	55 mm	Metric
DAJCT128F-2424IN	1-7/8"-12	1-1/2"-11-1/2	45.97	33.32	86.00	2-3/8"	2-1/8"	Imperial
DAJCT128F-3232	2-1/2"-12	2"-11-1/2	53.10	45.24	91.50	75 mm	70 mm	Metric
DAJCT128F-3232IN	2-1/2"-12	2"-11-1/2	53.10	45.24	91.50	2-7/8"	2-3/4"	Imperial

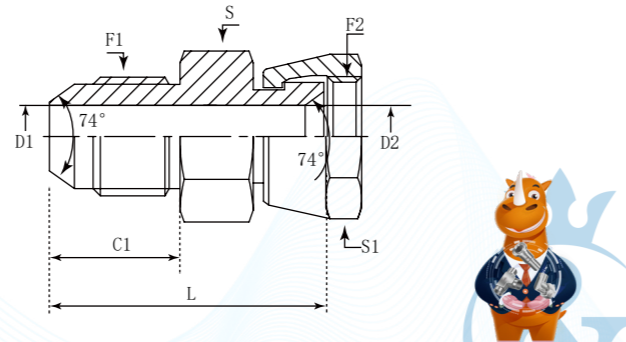


**DAJCM1251**

Straight Connector JIC Male – JIC Swivel Female



- DME&JDE Code: **DAJCM1251**
- Product Type: **Hydraulic adaptor**
- Standard: **JIC and SAE-ORB**
- Structure: **Straight**
- Connection Type: **Male x Swivel Female**
- Thread Types: **UNF x UNF**



PART NUMBER	F1 (Thread)	F2 (Thread)	C1	L	D1	D2	S	S1	Hex
#	UNF	NPTF	mm	mm	mm	mm	-	-	-
DAJCM1251-0304	3/8"-24	7/16"-20	12.00	3.18	3.18	26.00	12 mm	14 mm	Metric
DAJCM1251-0304IN	3/8"-24	7/16"-20	12.00	3.18	3.18	26.00	1/2"	9/16"	Imperial
DAJCM1251-0404	7/16"-20	7/16"-20	13.97	4.37	4.37	28.00	12 mm	14 mm	Metric
DAJCM1251-0405	7/16"-20	1/2"-20	13.97	4.37	5.94	30.00	14 mm	17 mm	Metric
DAJCM1251-0406	7/16"-20	9/16"-18	13.97	4.37	7.54	30.00	14 mm	17 mm	Metric
DAJCM1251-0408	7/16"-20	3/4"-16	13.97	4.37	9.93	33.50	22 mm	22 mm	Metric
DAJCM1251-0410	7/16"-20	7/8"-14	13.97	4.37	12.29	37.00	22 mm	27 mm	Metric
DAJCM1251-0404IN	7/16"-20	7/16"-20	13.97	4.37	4.37	28.00	1/2"	9/16"	Imperial
DAJCM1251-0405IN	7/16"-20	1/2"-20	13.97	4.37	5.94	30.00	9/16"	5/8"	Imperial
DAJCM1251-0406IN	7/16"-20	9/16"-18	13.97	4.37	7.54	30.00	9/16"	11/16"	Imperial
DAJCM1251-0408IN	7/16"-20	3/4"-16	13.97	4.37	9.93	33.50	13/16"	7/8"	Imperial
DAJCM1251-0410IN	7/16"-20	7/8"-14	13.97	4.37	12.29	37.00	7/8"	1"	Imperial
DAJCM1251-0505	1/2"-20	1/2"-20	13.97	5.94	5.94	29.00	14 mm	17 mm	Metric
DAJCM1251-0506	1/2"-20	9/16"-18	13.97	5.94	7.54	31.00	17 mm	17 mm	Metric
DAJCM1251-0508	1/2"-20	3/4"-16	13.97	5.94	9.93	34.50	17 mm	22 mm	Metric
DAJCM1251-0505IN	1/2"-20	1/2"-20	13.97	5.94	5.94	29.00	9/16"	5/8"	Imperial
DAJCM1251-0506IN	1/2"-20	9/16"-18	13.97	5.94	7.54	31.00	5/8"	11/16"	Imperial
DAJCM1251-0508IN	1/2"-20	3/4"-16	13.97	5.94	9.93	34.50	3/4"	7/8"	Imperial
DAJCM1251-0604	9/16"-18	7/16"-20	14.12	7.54	4.37	29.00	17 mm	14 mm	Metric
DAJCM1251-0605	9/16"-18	1/2"-20	14.12	7.54	5.94	30.00	17 mm	17 mm	Metric
DAJCM1251-0606	9/16"-18	9/16"-18	14.12	7.54	7.54	32.13	17 mm	17 mm	Metric
DAJCM1251-0608	9/16"-18	3/4"-16	14.12	7.54	9.93	33.22	17 mm	22 mm	Metric
DAJCM1251-0610	9/16"-18	7/8"-14	14.12	7.54	12.29	37.20	22 mm	27 mm	Metric
DAJCM1251-0612	9/16"-18	1-1/16"-12	14.12	7.54	15.47	37.50	27 mm	32 mm	Metric
DAJCM1251-0616	9/16"-18	1-5/16"-12	14.12	7.54	21.44	39.50	36 mm	41 mm	Metric
DAJCM1251-0604IN	9/16"-18	7/16"-20	14.12	7.54	4.37	29.00	5/8"	9/16"	Imperial
DAJCM1251-0605IN	9/16"-18	1/2"-20	14.12	7.54	5.94	30.00	5/8"	5/8"	Imperial
DAJCM1251-0606IN	9/16"-18	9/16"-18	14.12	7.54	7.54	32.13	5/8"	11/16"	Imperial
DAJCM1251-0608IN	9/16"-18	3/4"-16	14.12	7.54	9.93	33.22	13/16"	7/8"	Imperial
DAJCM1251-0610IN	9/16"-18	7/8"-14	14.12	7.54	12.29	37.20	7/8"	1"	Imperial
DAJCM1251-0612IN	9/16"-18	1-1/16"-12	14.12	7.54	15.47	37.50	1"	1-1/4"	Imperial
DAJCM1251-0616IN	9/16"-18	1-5/16"-12	14.12	7.54	21.44	39.50	13/8"	1-1/2"	Imperial
DAJCM1251-0806	3/4"-16	9/16"-18	16.69	9.93	7.54	36.50	22 mm	17 mm	Metric

DAJCM1251-0808	3/4"-16	3/4"-16	16.69	9.93	9.93	37.60	22 mm	22 mm	Metric
DAJCM1251-0810	3/4"-16	7/8"-14	16.69	9.93	12.29	39.80	24 mm	27 mm	Metric
DAJCM1251-0812	3/4"-16	1-1/16"-12	16.69	9.93	15.47	40.00	27 mm	32 mm	Metric
DAJCM1251-0816	3/4"-16	1-5/16"-12	16.69	9.93	21.44	42.20	36 mm	41 mm	Metric
DAJCM1251-0806IN	3/4"-16	9/16"-18	16.69	9.93	7.54	36.50	13/16"	11/16"	Imperial
DAJCM1251-0808IN	3/4"-16	3/4"-16	16.69	9.93	9.93	37.60	13/16"	7/8"	Imperial
DAJCM1251-0810IN	3/4"-16	7/8"-14	16.69	9.93	12.29	39.80	15/16"	1"	Imperial
DAJCM1251-0812IN	3/4"-16	1-1/16"-12	16.69	9.93	15.47	40.00	1"	11/4"	Imperial
DAJCM1251-0816IN	3/4"-16	1-5/16"-12	16.69	9.93	21.44	42.20	13/8"	11/2"	Imperial
DAJCM1251-1004	7/8"-14	7/16"-20	19.25	12.29	4.37	37.50	24 mm	17 mm	Metric
DAJCM1251-1006	7/8"-14	9/16"-18	19.25	12.29	7.54	39.50	24 mm	17 mm	Metric
DAJCM1251-1008	7/8"-14	3/4"-16	19.25	12.29	9.93	41.50	24 mm	22 mm	Metric
DAJCM1251-1010	7/8"-14	7/8"-14	19.25	12.29	12.29	42.00	24 mm	27 mm	Metric
DAJCM1251-1012	7/8"-14	1-1/16"-12	19.25	12.29	15.47	43.00	27 mm	32 mm	Metric
DAJCM1251-1016	7/8"-14	1-5/16"-12	19.25	12.29	21.44	44.80	36 mm	41 mm	Metric
DAJCM1251-1004IN	7/8"-14	7/16"-20	19.25	12.29	4.37	37.50	15/16"	9/16"	Imperial
DAJCM1251-1006IN	7/8"-14	9/16"-18	19.25	12.29	7.54	39.50	15/16"	11/16"	Imperial
DAJCM1251-1008IN	7/8"-14	3/4"-16	19.25	12.29	9.93	41.50	15/16"	7/8"	Imperial
DAJCM1251-1010IN	7/8"-14	7/8"-14	19.25	12.29	12.29	42.00	15/16"	1"	Imperial
DAJCM1251-1012IN	7/8"-14	1-1/16"-12	19.25	12.29	15.47	43.00	1"	1-1/4"	Imperial
DAJCM1251-1016IN	7/8"-14	1-5/16"-12	19.25	12.29	21.44	44.80	1-3/8"	1-1/2"	Imperial
DAJCM1251-1204	1-1/16"-12	7/16"-20	21.95	15.47	4.37	41.00	30 mm	17 mm	Metric
DAJCM1251-1206	1-1/16"-12	9/16"-18	21.95	15.47	7.54	43.30	30 mm	17 mm	Metric
DAJCM1251-1208	1-1/16"-12	3/4"-16	21.95	15.47	9.93	44.00	30 mm	22 mm	Metric
DAJCM1251-1210	1-1/16"-12	7/8"-14	21.95	15.47	12.29	45.00	30 mm	27 mm	Metric
DAJCM1251-1212	1-1/16"-12	1-1/16"-12	21.95	15.47	15.47	44.90	30 mm	32 mm	Metric
DAJCM1251-1216	1-1/16"-12	1-5/16"-12	21.95	15.47	21.44	47.50	36 mm	41 mm	Metric
DAJCM1251-1220	1-1/16"-12	1-5/8"-12	21.95	15.47	27.42	50.80	46 mm	50 mm	Metric
DAJCM1251-1224	1-1/16"-12	1-7/8"-12	21.95	15.47	33.32	54.50	50 mm	60 mm	Metric
DAJCM1251-1204IN	1-1/16"-12	7/16"-20	21.95	15.47	4.37	41.00	1-1/8"	9/16"	Imperial
DAJCM1251-1206IN	1-1/16"-12	9/16"-18	21.95	15.47	7.54	43.30	1-1/8"	11/16"	Imperial
DAJCM1251-1208IN	1-1/16"-12	3/4"-16	21.95	15.47	9.93	44.00	1-1/8"	7/8"	Imperial
DAJCM1251-1210IN	1-1/16"-12	7/8"-14	21.95	15.47	12.29	45.00	1-1/8"	1"	Imperial
DAJCM1251-1212IN	1-1/16"-12	1-1/16"-12	21.95	15.47	15.47	44.90	1-1/8"	1-1/4"	Imperial
DAJCM1251-1216IN	1-1/16"-12	1-5/16"-12	21.95	15.47	21.44	47.50	1-3/8"	1-1/2"	Imperial
DAJCM1251-1220IN	1-1/16"-12	1-5/8"-12	21.95	15.47	27.42	50.80	1-11/16"	2"	Imperial
DAJCM1251-1224IN	1-1/16"-12	1-7/8"-12	21.95	15.47	33.32	54.50	2"	2-1/4"	Imperial
DAJCM1251-1608	1-5/16"-12	3/4"-16	23.14	21.44	9.93	45.50	36 mm	22 mm	Metric
DAJCM1251-1612	1-5/16"-12	1-1/16"-12	23.14	21.44	15.47	47.50	36 mm	32 mm	Metric
DAJCM1251-1616	1-5/16"-12	1-5/16"-12	23.14	21.44	21.44	49.00	36 mm	41 mm	Metric
DAJCM1251-1620	1-5/16"-12	1-5/8"-12	23.14	21.44	27.42	52.00	46 mm	50 mm	Metric
DAJCM1251-1624	1-5/16"-12	1-7/8"-12	23.14	21.44	33.32	55.60	50 mm	60 mm	Metric
DAJCM1251-1608IN	1-5/16"-12	3/4"-16	23.14	21.44	9.93	45.50	1-3/8"	7/8"	Imperial
DAJCM1251-1612IN	1-5/16"-12	1-1/16"-12	23.14	21.44	15.47	47.50	1-3/8"	1-1/4"	Imperial
DAJCM1251-1616IN	1-5/16"-12	1-5/16"-12	23.14	21.44	21.44	49.00	1-3/8"	1-1/2"	Imperial
DAJCM1251-1620IN	1-5/16"-12	1-5/8"-12	23.14	21.44	27.42	52.00	1-11/16"	2"	Imperial
DAJCM1251-1624IN	1-5/16"-12	1-7/8"-12	23.14	21.44	33.32	55.60	2"	2-1/4"	Imperial
DAJCM1251-2016	1-5/8"-12	1-5/16"-12	24.33	27.38	21.44	51.80	46 mm	41 mm	Metric
DAJCM1251-2020	1-5/8"-12	1-5/8"-12	24.33	27.38	27.38	53.20	46 mm	50 mm	Metric
DAJCM1251-2024	1-5/8"-12	1-7/8"-12	24.33	27.38	33.32	56.80	50 mm	60 mm	Metric
DAJCM1251-2016IN	1-5/8"-12	1-5/16"-12	24.33	27.38	21.44	51.80	1-11/16"	1-1/2"	Imperial
DAJCM1251-2020IN	1-5/8"-12	1-5/8"-12	24.33	27.38	27.38	53.20	1-11/16"	2"	Imperial
DAJCM1251-2024IN	1-5/8"-12	1-7/8"-12	24.33	27.38	33.32	56.80	2"	2-1/4"	Imperial
DAJCM1251-2424	1-7/8"-12	1-7/8"-12	27.51	33.32	33.32	60.00	50 mm	60 mm	Metric
DAJCM1251-2424IN	1-7/8"-12	1-7/8"-12	27.51	33.32	33.32	60.00	2"	2-1/4"	Imperial
DAJCM1251-3224	2-1/2"-12	1-7/8"-12	33.86	45.24	33.32	70.50	65 mm	60 mm	Metric
DAJCM1251-3232	2-1/2"-12	2-1/2"-12	33.86	45.24	45.24	71.00	65 mm	73 mm	Metric
DAJCM1251-3224IN	2-1/2"-12	1-7/8"-12	33.86	45.24	33.32	70.50	2-5/8"	2-1/4"	Imperial
DAJCM1251-3232IN	2-1/2"-12	2-1/2"-12	33.86	45.24	45.24	71.00	2-5/8"	2-7/8"	Imperial

## DAJCM1081

Straight Connector JIC Male – BSPP Swivel Female 60° Cone

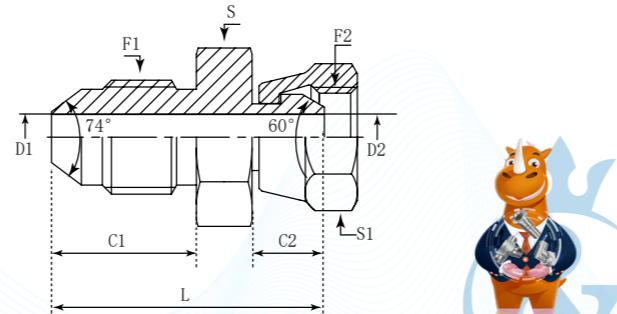
<b>D</b>	<b>A</b>	<b>JC</b>	<b>M</b>	<b>1</b>	<b>081</b>
Company	Product Range	Thread Types	Connection Type	Adaptor Structure	Connection Type
<b>DME</b>	Adaptor	JIC UNF	Male	Straight	BSPP Swivel Female

**German Technology Equipment**

**SHIELD FLEX**

New-Standard

- DME&JDE Code:** DAJCM1081
- Product Type:** Hydraulic adaptor
- Standard:** JIC and SAE-ORB
- Structure:** Straight
- Connection Type:** Male x Swivel Female
- Thread Types:** UNF x BSPP 60° Cone



PART NUMBER	F1 (Thread)	F2 (Thread)	C1	C2	D1	D2	L	S	S1
#	UNF	BSPP	mm	mm	mm	mm	mm	mm	mm
DAJCM1081-0402	7/16"-20	1/8"-28	13.97	9.50	4.37	3.50	29.00	14.00	14.00
DAJCM1081-0404	7/16"-20	1/4"-19	13.97	11.50	4.37	4.37	33.50	17.00	19.00
DAJCM1081-0406	7/16"-20	3/8"-19	13.97	12.50	4.37	7.90	34.00	17.00	22.00
DAJCM1081-0408	7/16"-20	1/2"-14	13.97	15.00	4.37	11.10	37.50	22.00	27.00
DAJCM1081-0504	1/2"-20	1/4"-19	13.97	11.50	4.70	4.70	33.00	14.00	19.00
DAJCM1081-0506	1/2"-20	3/8"-19	13.97	12.50	5.94	5.94	36.00	19.00	22.00
DAJCM1081-0604	9/16"-18	1/4"-19	14.12	11.50	7.54	4.70	34.00	19.00	19.00
DAJCM1081-0606	9/16"-18	3/8"-19	14.12	12.50	7.54	7.54	35.00	19.00	22.00
DAJCM1081-0608	9/16"-18	1/2"-14	14.12	15.00	7.54	11.10	36.50	22.00	27.00
DAJCM1081-0806	3/4"-16	3/8"-19	16.69	12.50	9.93	7.90	36.50	22.00	22.00
DAJCM1081-0808	3/4"-16	1/2"-14	16.69	15.00	9.93	9.93	40.70	27.00	27.00
DAJCM1081-0810	3/4"-16	5/8"-14	16.69	15.50	9.93	14.30	44.20	24.00	30.00
DAJCM1081-0812	3/4"-16	3/4"-14	16.69	17.50	9.93	16.70	42.50	27.00	32.00
DAJCM1081-1006	7/8"-14	3/8"-19	19.25	12.50	12.29	7.90	40.00	24.00	22.00
DAJCM1081-1008	7/8"-14	1/2"-14	19.25	15.00	12.29	11.10	42.00	24.00	27.00
DAJCM1081-1010	7/8"-14	5/8"-14	19.25	15.50	12.29	12.29	43.00	24.00	30.00
DAJCM1081-1012	7/8"-14	3/4"-14	19.25	17.50	12.29	16.70	45.50	27.00	32.00
DAJCM1081-1208	1-1/16"-12	1/2"-14	21.95	15.00	15.47	11.10	47.00	30.00	27.00
DAJCM1081-1212	1-1/16"-12	3/4"-14	21.95	17.50	15.47	15.47	50.20	30.00	32.00
DAJCM1081-1216	1-1/16"-12	1"-11	21.95	19.50	15.47	22.20	52.00	32.00	41.00
DAJCM1081-1612	1-5/16"-12	3/4"-14	23.14	17.50	21.44	16.70	51.50	36.00	32.00
DAJCM1081-1616	1-5/16"-12	1"-11	23.14	19.50	21.44	21.44	53.70	38.00	41.00
DAJCM1081-2020	1-5/8"-12	1-1/4"-11	24.33	21.00	27.38	27.38	57.00	46.00	50.00
DAJCM1081-2424	1-7/8"-12	1-1/2"-11	27.51	22.00	33.32	33.32	62.50	50.00	55.00
DAJCM1081-3232	2-1/2"-12	2"-11	33.86	23.00	45.25	45.25	77.00	65.00	70.00

Web: <https://www.dmejde.com>  
E-mail: [info@dmejde.com](mailto:info@dmejde.com)



Certificate:

## DAJCM106Q

Straight JIC Swivel Female – BSPP Male + Retaining Ring + O Ring

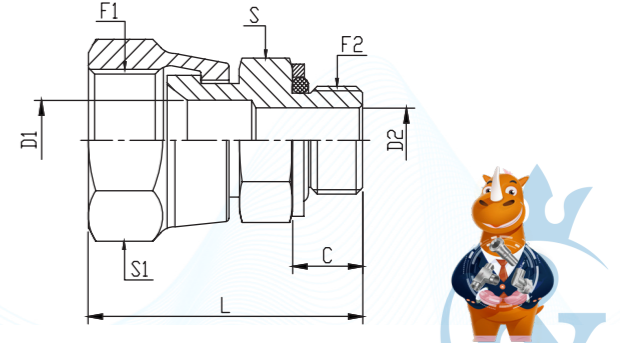
<b>D</b>	<b>A</b>	<b>JC</b>	<b>1</b>	<b>1</b>	<b>06</b>	<b>Q</b>
Company	Product Range	Thread Types	Connection Type	Adaptor Structure	Thread Types	Connection Type
<b>DME</b>	Adaptor	JIC UNF	Swivel Female	Straight	BSPP	Male + Retaining Ring + O Ring

**German Technology Equipment**

**SHIELD FLEX**

New-Standard

- DME&JDE Code:** DAJCM106Q
- Product Type:** Hydraulic adaptor
- Standard:** JIC and SAE-ORB
- Structure:** Straight
- Connection Type:** Female x Male
- Thread Types:** UNF Swivel Female x BSPP
- Sealing Method:** Retaining Ring + O Ring



PART NUMBER	F1 (Thread)	F2 (Thread)	C	L	D1	D2	S	S1
#	UNF	BSPP	mm	mm	mm	mm	mm	mm
DAJCM106Q-0402	7/16"-20	1/8"-28	7.60	24.00	4.37	4.37	14.00	14.00
DAJCM106Q-0404	7/16"-20	1/4"-19	11.20	27.80	4.37	7.50	19.00	17.00
DAJCM106Q-0502	1/2"-20	1/8"-28	7.60	24.00	5.94	4.40	17.00	17.00
DAJCM106Q-0504	1/2"-20	1/4"-19	11.20	27.80	5.94	7.50	19.00	17.00
DAJCM106Q-0506	1/2"-20	3/8"-19	11.20	29.00	5.94	9.90	22.00	17.00
DAJCM106Q-0604	9/16"-18	1/4"-19	11.20	29.00	7.54	7.54	19.00	19.00
DAJCM106Q-0606	9/16"-18	3/8"-19	11.20	30.00	7.54	9.90	22.00	19.00
DAJCM106Q-0608	9/16"-18	1/2"-14	14.50	33.00	7.54	12.29	27.00	19.00
DAJCM106Q-0804	3/4"-16	1/4"-19	11.20	31.00	9.93	7.50	19.00	22.00
DAJCM106Q-0806	3/4"-16	3/8"-19	11.20	30.00	9.93	9.93	22.00	24.00
DAJCM106Q-0808	3/4"-16	1/2"-14	14.50	34.00	9.93	12.30	30.00	24.00
DAJCM106Q-0812	3/4"-16	3/4"-14	14.50	36.00	9.93	15.47	36.00	24.00
DAJCM106Q-1006	7/8"-14	3/8"-19	11.20	34.00	12.29	9.93	24.00	27.00
DAJCM106Q-1008	7/8"-14	1/2"-14	14.50	35.00	12.29	12.29	27.00	27.00
DAJCM106Q-1010	7/8"-14	5/8"-14	14.50	37.00	12.29	12.29	30.00	27.00
DAJCM106Q-1012	7/8"-14	3/4"-14	14.50	38.00	12.29	12.29	36.00	27.00
DAJCM106Q-1208	1-1/16"-12	1/2"-14	14.50	38.50	15.47	12.29	30.00	32.00
DAJCM106Q-1212	1-1/16"-12	3/4"-14	14.50	40.00	15.47	15.47	36.00	32.00
DAJCM106Q-1216	1-1/16"-12	1"-11	18.60	44.00	15.47	21.44	41.00	32.00
DAJCM106Q-1612	1-5/16"-12	3/4"-14	14.50	40.00	21.44	15.50	36.00	41.00
DAJCM106Q-1616	1-5/16"-12	1"-11	18.60	46.50	21.44	21.44	46.00	41.00
DAJCM106Q-1620	1-5/16"-12	1-1/4"-11	18.60	48.00	21.44	27.38	50.00	41.00
DAJCM106Q-2016	1-5/8"-12	1"-11	18.60	48.00	27.38	21.50	46.00	50.00
DAJCM106Q-2020	1-5/8"-12	1-1/4"-11	18.60	50.00	27.38	27.38	50.00	50.00
DAJCM106Q-2024	1-5/8"-12	1-1/2"-11	18.60	49.00	27.42	33.00	55.00	50.00
DAJCM106Q-2424	1-7/8"-12	1-1/2"-11	18.60	49.00	33.00	33.00	55.00	55.00
DAJCM106Q-3232	2-1/2"-12	2"-11	18.60	50.80	45.00	45.00	70.00	75.00

Web: <https://www.dmejde.com>  
E-mail: [info@dmejde.com](mailto:info@dmejde.com)



Certificate:



## DAJC11065

Straight Connector JIC Swivel Female – BSPP Male + O Ring

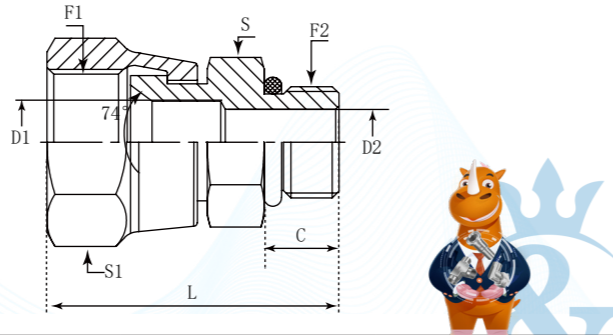
<b>D</b>	<b>A</b>	<b>JC</b>	<b>1</b>	<b>1</b>	<b>06</b>	<b>5</b>
Company	Product Range	Thread Types	Connection Type	Adaptor Structure	Thread Types	Connection Type
<b>DME</b>	Adaptor	JIC UNF	Swivel Female	Straight	BSPP	Male + O Ring

German Technology Equipment

**SHIELD FLEX**

New-Standard

- DME&JDE Code: **DAJC11065**
- Product Type: **Hydraulic adaptor**
- Standard: **JIC and SAE-ORB**
- Structure: **Straight**
- Connection Type: **Swivel Female x Male**
- Thread Types: **UNF x BSPP**
- Sealing Method: **O Ring**



PART NUMBER	F1 (Thread)	F2 (Thread)	C	L	D1	D2	S	S1
#	UNF	BSPP	mm	mm	mm	mm	mm	mm
DAJC11065-0402	7/16"-20	1/8"-28	7.60	24.00	4.37	4.37	14.00	14.00
DAJC11065-0404	7/16"-20	1/4"-19	11.20	27.80	4.37	7.50	19.00	17.00
DAJC11065-0502	1/2"-20	1/8"-28	7.60	24.00	5.94	4.40	17.00	17.00
DAJC11065-0504	1/2"-20	1/4"-19	11.20	27.80	5.94	7.50	19.00	17.00
DAJC11065-0506	1/2"-20	3/8"-19	11.20	29.00	5.94	9.90	22.00	17.00
DAJC11065-0604	9/16"-18	1/4"-19	11.20	29.00	7.54	7.54	19.00	19.00
DAJC11065-0606	9/16"-18	3/8"-19	11.20	30.00	7.54	9.90	22.00	19.00
DAJC11065-0608	9/16"-18	1/2"-14	14.50	33.00	7.54	12.29	27.00	19.00
DAJC11065-0804	3/4"-16	1/4"-19	11.20	31.00	9.93	7.50	19.00	22.00
DAJC11065-0806	3/4"-16	3/8"-19	11.20	30.00	9.93	9.93	22.00	24.00
DAJC11065-0808	3/4"-16	1/2"-14	14.50	34.00	9.93	12.30	27.00	24.00
DAJC11065-0812	3/4"-16	3/4"-14	14.50	36.00	9.93	15.47	36.00	24.00
DAJC11065-1006	7/8"-14	3/8"-19	11.20	34.00	12.29	9.93	24.00	27.00
DAJC11065-1008	7/8"-14	1/2"-14	14.50	35.00	12.29	12.29	27.00	27.00
DAJC11065-1010	7/8"-14	5/8"-14	14.50	37.00	12.29	12.29	30.00	27.00
DAJC11065-1012	7/8"-14	3/4"-14	14.50	38.00	12.29	12.29	36.00	27.00
DAJC11065-1208	1-1/16"-12	1/2"-14	14.50	38.50	15.47	12.29	30.00	32.00
DAJC11065-1212	1-1/16"-12	3/4"-14	14.50	40.00	15.47	15.47	36.00	32.00
DAJC11065-1216	1-1/16"-12	1"-11	18.60	44.00	15.47	21.44	41.00	32.00
DAJC11065-1612	1-5/16"-12	3/4"-14	14.50	40.00	21.44	15.50	36.00	41.00
DAJC11065-1616	1-5/16"-12	1"-11	18.60	46.50	21.44	21.44	46.00	41.00
DAJC11065-1620	1-5/16"-12	1-1/4"-11	18.60	48.00	21.44	27.38	50.00	41.00
DAJC11065-2016	1-5/8"-12	1"-11	18.60	48.00	27.38	21.50	46.00	50.00
DAJC11065-2020	1-5/8"-12	1-1/4"-11	18.60	50.00	27.38	27.38	50.00	50.00
DAJC11065-2024	1-5/8"-12	1-1/2"-11	18.60	49.00	27.42	33.00	55.00	50.00
DAJC11065-2424	1-7/8"-12	1-1/2"-11	18.60	49.00	33.00	33.00	55.00	55.00
DAJC11065-3232	2-1/2"-12	2"-11	18.60	50.80	45.00	45.00	70.00	75.00

## DAJC11061

Straight Connector JIC Swivel Female – BSPP Male 60° with ED Seal

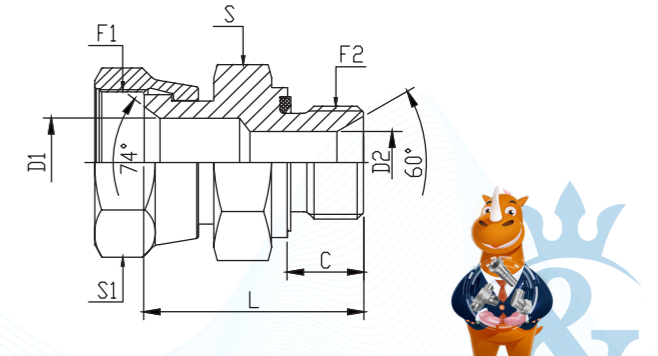
<b>D</b>	<b>A</b>	<b>JC</b>	<b>1</b>	<b>1</b>	<b>061</b>
Company	Product Range	Thread Types	Connection Type	Adaptor Structure	Thread Types
<b>DME</b>	Adaptor	JIC UNF	Swivel Female	Straight	BSPP Male with ED Seal

German Technology Equipment

**SHIELD FLEX**

New-Standard

- DME&JDE Code: **DAJC11061**
- Product Type: **Hydraulic adaptor**
- Standard: **JIC and SAE-ORB**
- Structure: **Straight**
- Connection Type: **Swivel Female x Male**
- Thread Types: **UNF x BSPP**
- Sealing Method: **ED Ring**



PART NUMBER	F1 (Thread)	F2 (Thread)	C	D1	D2	L	S	S1
#	UNF	BSPP	mm	mm	mm	mm	mm	mm
DAJC11061-0402	7/16"-20	1/8"-28	8.00	4.00	4.00	23.00	14.00	14.00
DAJC11061-0404	7/16"-20	1/4"-19	12.00	4.37	4.37	28.00	19.00	17.00
DAJC11061-0604	9/16"-18	1/4"-19	12.00	7.54	6.00	30.00	19.00	19.00
DAJC11061-0606	9/16"-18	3/8"-19	12.00	7.50	7.50	31.00	22.00	19.00
DAJC11061-0608	9/16"-18	1/2"-14	14.00	7.54	11.10	35.00	27.00	19.00
DAJC11061-0804	3/4"-16	1/4"-19	12.00	9.93	6.00	33.00	19.00	22.00
DAJC11061-0806	3/4"-16	3/8"-19	12.00	9.93	7.90	30.00	22.00	24.00
DAJC11061-0808	3/4"-16	1/2"-14	14.00	9.93	9.93	37.00	27.00	22.00
DAJC11061-0810	3/4"-16	5/8"-14	14.00	9.93	14.00	37.00	30.00	22.00
DAJC11061-1008	7/8"-14	1/2"-14	14.00	12.00	12.00	36.50	27.00	27.00
DAJC11061-1208	1-1/16"-12	1/2"-14	14.00	15.47	14.00	39.00	27.00	32.00
DAJC11061-1212	1-1/16"-12	3/4"-14	16.00	15.47	18.00	41.00	32.00	32.00
DAJC11061-1216	1-1/16"-12	1"-11	18.00	15.47	22.20	44.00	41.00	32.00
DAJC11061-1612	1-5/16"-12	3/4"-14	16.00	21.44	18.00	43.00	36.00	41.00
DAJC11061-1616	1-5/16"-12	1"-11	18.00	21.40	21.40	46.00	41.00	41.00
DAJC11061-2016	1-5/8"-12	1"-11	18.00	27.42	23.00	48.00	41.00	50.00
DAJC11061-2020	1-5/8"-12	1-1/4"-11	20.00	27.42	27.42	52.50	50.00	50.00
DAJC11061-2424	1-7/8"-12	1-1/2"-11	22.00	33.00	33.00	58.00	55.00	60.00

## DAJC1152Q

Straight JIC Swivel Female – Metric Male + Retaining Ring + O Ring

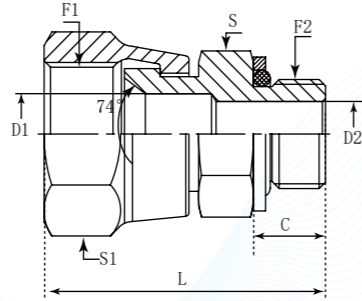
<b>D</b>	<b>A</b>	<b>JC</b>	<b>1</b>	<b>1</b>	<b>52</b>	<b>0</b>
Company	Product Range	Thread Types	Connection Type	Adaptor Structure	Thread Types	Connection Type
<b>DME</b>	Adaptor	JIC UNF	Swivel Female	Straight	Metric	Male + Retaining Ring + O Ring

German Technology Equipment

**SHIELD FLEX**

New-Standard

- DME&JDE Code: **DAJC1152Q**
- Product Type: **Hydraulic adaptor**
- Standard: **JIC and SAE-ORB**
- Structure: **Straight**
- Connection Type: **Swivel Female x Male**
- Thread Types: **UNF x Metric**
- Sealing Method: **O Ring + Retaining Ring**



PART NUMBER	F1 (Thread)	F2 (Thread)	C	L	D1	D2	S	S1
#	UNF	Metric	mm	mm	mm	mm	mm	mm
DAJC1152Q-0410	7/16"-20	M10X1	9.00	25.00	4.00	4.00	14.00	17.00
DAJC1152Q-0512	1/2"-20	M12X1.5	11.00	26.00	5.94	5.94	17.00	17.00
DAJC1152Q-0614	9/16"-18	M14X1.5	11.00	27.30	7.50	7.50	19.00	19.00
DAJC1152Q-0616	9/16"-18	M16X1.5	11.50	28.00	7.50	9.00	22.00	19.00
DAJC1152Q-0618	9/16"-18	M18X1.5	12.50	30.00	7.50	11.00	24.00	19.00
DAJC1152Q-0622	9/16"-18	M22X1.5	13.00	31.00	7.50	14.00	27.00	19.00
DAJC1152Q-0818	3/4"-16	M18X1.5	12.50	31.00	9.93	9.93	24.00	24.00
DAJC1152Q-0822	3/4"-16	M22X1.5	13.00	32.00	9.90	14.00	27.00	24.00

## DAJC11305

Straight Connector JIC Swivel Female – SAE Male + O Ring

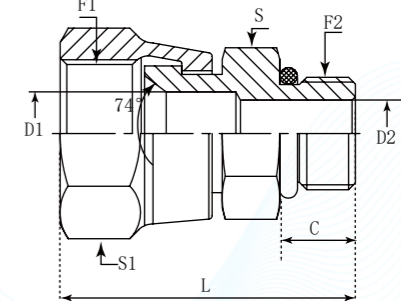
<b>D</b>	<b>A</b>	<b>JC</b>	<b>1</b>	<b>1</b>	<b>30</b>	<b>30</b>
Company	Product Range	Thread Types	Connection Type	Adaptor Structure	Thread Types	Connection Type
<b>DME</b>	Adaptor	JIC UNF	Swivel Female	Straight	SAE UNF	Male + O Ring

German Technology Equipment

**SHIELD FLEX**

New-Standard

- DME&JDE Code: **DAJC11305**
- Product Type: **Hydraulic adaptor**
- Standard: **JIC and SAE-ORB**
- Structure: **Straight**
- Connection Type: **Swivel Female x Male**
- Thread Types: **UNF x UNF**
- Sealing Method: **O Ring**



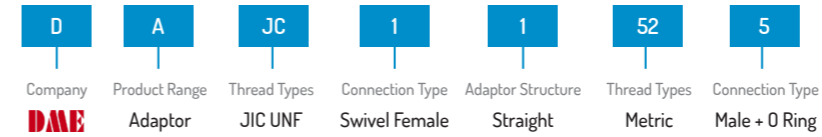
PART NUMBER	F1 (Thread)	F2 (Thread)	C	L	D1	D2	S	S1	Hex
#	UNF	UNF	mm	mm	mm	mm	mm	mm	mm
DAJC11305-0404	7/16"-20	7/16"-20	9.14	4.37	4.37	34.1	14 mm	14 mm	Metric
DAJC11305-0405	7/16"-20	1/2"-20	9.14	4.37	5.94	34.8	17 mm	14 mm	Metric
DAJC11305-0406	7/16"-20	9/16"-18	9.93	4.37	7.54	34.7	17 mm	14 mm	Metric
DAJC11305-0404IN	7/16"-20	7/16"-20	9.14	4.37	4.37	34.1	9/16"	9/16"	Imperial
DAJC11305-0405IN	7/16"-20	1/2"-20	9.14	4.37	5.94	34.8	5/8"	9/16"	Imperial
DAJC11305-0406IN	7/16"-20	9/16"-18	9.93	4.37	7.54	34.7	11/16"	9/16"	Imperial
DAJC11305-0505	1/2"-20	1/2"-20	9.14	5.94	5.94	34.80	17 mm	17 mm	Metric
DAJC11305-0505IN	1/2"-20	1/2"-20	9.14	5.94	5.94	34.80	5/8"	5/8"	Imperial
DAJC11305-0604	9/16"-18	7/16"-20	9.14	7.54	4.37	27.8	14 mm	19 mm	Metric
DAJC11305-0606	9/16"-18	9/16"-18	9.93	7.54	7.54	38.4	17 mm	19 mm	Metric
DAJC11305-0608	9/16"-18	3/4"-16	11.13	7.54	9.93	40.5	22 mm	19 mm	Metric
DAJC11305-0610	9/16"-18	7/8"-14	12.7	7.54	12.29	43.5	27 mm	19 mm	Metric
DAJC11305-0612	9/16"-18	1-1/16"-12	15.09	7.54	15.47	38	32 mm	19 mm	Metric
DAJC11305-0604IN	9/16"-18	7/16"-20	9.14	7.54	4.37	27.8	9/16"	11/16"	Imperial
DAJC11305-0606IN	9/16"-18	9/16"-18	9.93	7.54	7.54	38.4	11/16"	11/16"	Imperial
DAJC11305-0608IN	9/16"-18	3/4"-16	11.13	7.54	9.93	40.5	7/8"	11/16"	Imperial
DAJC11305-0610IN	9/16"-18	7/8"-14	12.7	7.54	12.29	43.5	1"	11/16"	Imperial
DAJC11305-0612IN	9/16"-18	1-1/16"-12	15.09	7.54	15.47	38	1-1/4"	11/16"	Imperial
DAJC11305-0806	3/4"-16	9/16"-18	9.93	7.54	7.54	39.9	27 mm	22 mm	Metric
DAJC11305-0808	3/4"-16	3/4"-16	11.13	9.93	9.93	42.8	22 mm	22 mm	Metric



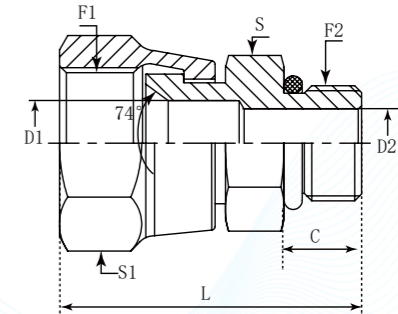
DAJC11305-0810	3/4"-16	7/8"-14	12.7	9.93	12.29	46	27 mm	22 mm	Metric
DAJC11305-0812	3/4"-16	1-1/16"-12	15.09	9.93	15.47	49	32 mm	22 mm	Metric
DAJC11305-0806IN	3/4"-16	9/16"-18	9.93	7.54	7.54	39.9	13/16"	7/8"	Imperial
DAJC11305-0808IN	3/4"-16	3/4"-16	11.13	9.93	9.93	42.8	7/8"	7/8"	Imperial
DAJC11305-0810IN	3/4"-16	7/8"-14	12.7	9.93	12.29	46	1"	7/8"	Imperial
DAJC11305-0812IN	3/4"-16	1-1/16"-12	15.09	9.93	15.47	49	1-1/4"	7/8"	Imperial
DAJC11305-1006	7/8"-14	9/16"-18	9.93	12.29	7.54	34	22 mm	27 mm	Metric
DAJC11305-1008	7/8"-14	3/4"-16	11.13	12.29	9.93	44.5	27 mm	27 mm	Metric
DAJC11305-1010	7/8"-14	7/8"-14	12.7	12.29	12.29	50.1	27 mm	27 mm	Metric
DAJC11305-1012	7/8"-14	1-1/16"-12	15.09	12.29	15.47	53.3	32 mm	27 mm	Metric
DAJC11305-1006IN	7/8"-14	9/16"-18	9.93	12.29	7.54	34	7/8"	1"	Imperial
DAJC11305-1008IN	7/8"-14	3/4"-16	11.13	12.29	9.93	44.5	1"	1"	Imperial
DAJC11305-1010IN	7/8"-14	7/8"-14	12.7	12.29	12.29	50.1	1"	1"	Imperial
DAJC11305-1012IN	7/8"-14	1-1/16"-12	15.09	12.29	15.47	53.3	1-1/4"	1"	Imperial
DAJC11305-1208	1-1/16"-12	3/4"-16	11.13	15.47	9.93	53	27 mm	32 mm	Metric
DAJC11305-1210	1-1/16"-12	7/8"-14	12.7	15.47	12.29	51.6	27 mm	32 mm	Metric
DAJC11305-1212	1-1/16"-12	1-1/16"-12	15.09	15.47	15.47	55.7	32 mm	32 mm	Metric
DAJC11305-1216	1-1/16"-12	1-5/16"-12	15.09	15.47	21.44	56.9	41 mm	32 mm	Metric
DAJC11305-1208IN	1-1/16"-12	3/4"-16	11.13	15.47	9.93	53	1"	1-1/4"	Imperial
DAJC11305-1210IN	1-1/16"-12	7/8"-14	12.7	15.47	12.29	51.6	1"	1-1/4"	Imperial
DAJC11305-1212IN	1-1/16"-12	1-1/16"-12	15.09	15.47	15.47	55.7	1-1/4"	1-1/4"	Imperial
DAJC11305-1216IN	1-1/16"-12	1-5/16"-12	15.09	15.47	21.44	56.9	1-1/2"	1-1/4"	Imperial
DAJC11305-1612	1-5/16"-12	1-1/16"-12	15.09	21.44	15.47	54.3	41 mm	41 mm	Metric
DAJC11305-1616	1-5/16"-12	1-5/16"-12	15.09	21.44	21.44	58.8	41 mm	41 mm	Metric
DAJC11305-1620	1-5/16"-12	1-5/8"-12	15.09	21.44	27.38	60.5	50 mm	41 mm	Metric
DAJC11305-1612IN	1-5/16"-12	1-1/16"-12	15.09	21.44	15.47	54.3	1-1/2"	1-1/2"	Imperial
DAJC11305-1616IN	1-5/16"-12	1-5/16"-12	15.09	21.44	21.44	58.8	1-1/2"	1-1/2"	Imperial
DAJC11305-1620IN	1-5/16"-12	1-5/8"-12	15.09	21.44	27.38	60.5	1-7/8"	1-1/2"	Imperial
DAJC11305-2016	1-5/8"-12	1-5/16"-12	15.09	27.42	21.44	48.7	50 mm	50 mm	Metric
DAJC11305-2020	1-5/8"-12	1-5/8"-12	15.09	27.38	27.38	61.7	50 mm	50 mm	Metric
DAJC11305-2016IN	1-5/8"-12	1-5/16"-12	15.09	27.42	21.44	48.7	1-7/8"	2"	Imperial
DAJC11305-2020IN	1-5/8"-12	1-5/8"-12	15.09	27.38	27.38	61.7	1-7/8"	2"	Imperial
DAJC11305-2424	1-7/8"-12	1-7/8"-12	15.09	33.32	33.32	67.7	55 mm	55 mm	Metric
DAJC11305-2424IN	1-7/8"-12	1-7/8"-12	15.09	33.32	33.32	67.7	2-1/8"	2-1/4"	Imperial
DAJC11305-3232	2-1/2"-12	2-1/2"-12	15.09	45.24	45.24	79.1	70 mm	75 mm	Metric
DAJC11305-3232IN	2-1/2"-12	2-1/2"-12	15.09	45.24	45.24	79.1	2-3/4"	2-7/8"	Imperial

## DAJC11525

Straight Connector JIC Swivel Female – Metric Male + O Ring



- DME&JDE Code:** DAJC11525
- Product Type:** Hydraulic adaptor
- Standard:** JIC and SAE-ORB
- Structure:** Straight
- Connection Type:** Swivel Female x Male
- Thread Types:** UNF x Metric
- Sealing Method:** O Ring

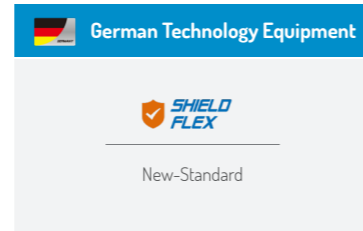
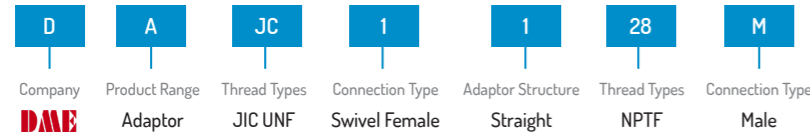


PART NUMBER	F1 (Thread)	F2 (Thread)	C	L	D1	D2	S	S1
#	UNF	Metric	mm	mm	mm	mm	mm	mm
DAJC11525-0410	7/16"-20	M10X1	9.00	25.00	4.00	4.00	14.00	17.00
DAJC11525-0512	1/2"-20	M12X1.5	11.00	26.00	5.94	5.94	17.00	17.00
DAJC11525-0614	9/16"-18	M14X1.5	11.00	27.30	7.50	7.50	19.00	19.00
DAJC11525-0616	9/16"-18	M16X1.5	11.50	28.00	7.50	9.00	22.00	19.00
DAJC11525-0618	9/16"-18	M18X1.5	12.50	30.00	7.50	11.00	24.00	19.00
DAJC11525-0622	9/16"-18	M22X1.5	13.00	31.00	7.50	14.00	27.00	19.00
DAJC11525-0818	3/4"-16	M18X1.5	12.50	31.00	9.93	9.93	24.00	24.00
DAJC11525-0822	3/4"-16	M22X1.5	13.00	32.00	9.90	14.00	27.00	24.00

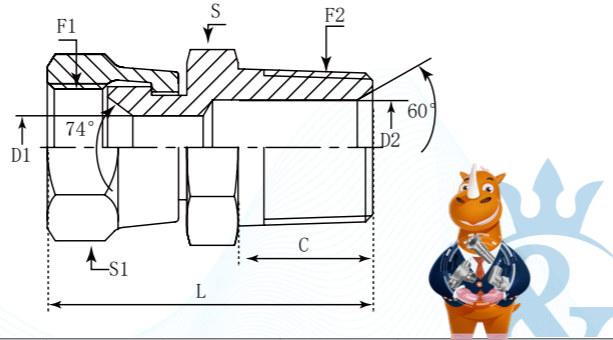


# DAJC1128M

Straight Connector JIC Swivel Female – NPTF Male 60°



- DME&JDE Code:** DAJC1128M
- Product Type:** Hydraulic adaptor
- Standard:** JIC and SAE-ORB
- Structure:** Straight
- Connection Type:** Swivel Female x Male
- Thread Types:** UNF x NPTF 60°



PART NUMBER	F1 (Thread)	F2 (Thread)	C	L	D1	D2	S	S1	S1
#	UNF	NPTF	mm	mm	mm	mm	mm	mm	mm
DAJC1128M-0202	5/16"-24	1/8"-27	9.65	24.90	1.57	4.78	11 mm	11 mm	Metric
DAJC1128M-0202IN	5/16"-24	1/8"-27	9.65	24.90	1.57	4.78	7/16"	7/16"	Imperial
DAJC1128M-0402	7/16"-20	1/8"-27	9.65	25.50	4.37	4.37	12 mm	14 mm	Metric
DAJC1128M-0404	7/16"-20	1/4"-18	14.22	30.71	4.37	7.14	14 mm	14 mm	Metric
DAJC1128M-0406	7/16"-20	3/8"-18	14.22	31.20	4.37	10.31	19 mm	14 mm	Metric
DAJC1128M-0408	7/16"-20	1/2"-14	19.05	36.80	4.37	13.49	22 mm	14 mm	Metric
DAJC1128M-0402IN	7/16"-20	1/8"-27	9.65	25.50	4.37	4.37	1/2"	9/16"	Imperial
DAJC1128M-0404IN	7/16"-20	1/4"-18	14.22	30.71	4.37	7.14	9/16"	9/16"	Imperial
DAJC1128M-0406IN	7/16"-20	3/8"-18	14.22	31.20	4.37	10.31	3/4"	9/16"	Imperial
DAJC1128M-0408IN	7/16"-20	1/2"-14	19.05	36.80	4.37	13.49	7/8"	9/16"	Imperial
DAJC1128M-0502	1/2"-20	1/8"-27	9.65	26.20	4.78	4.78	14 mm	17 mm	Metric
DAJC1128M-0504	1/2"-20	1/4"-18	14.22	31.50	5.94	7.14	17 mm	17 mm	Metric
DAJC1128M-0502IN	1/2"-20	1/8"-27	9.65	26.20	4.78	4.78	9/16"	5/8"	Imperial
DAJC1128M-0504IN	1/2"-20	1/4"-18	14.22	31.50	5.94	7.14	5/8"	5/8"	Imperial
DAJC1128M-0602	9/16"-18	1/8"-27	9.65	26.50	7.54	4.78	14 mm	17 mm	Metric
DAJC1128M-0604	9/16"-18	1/4"-18	14.22	32.50	7.14	7.14	17 mm	19 mm	Metric
DAJC1128M-0606	9/16"-18	3/8"-18	14.22	32.10	7.54	10.31	19 mm	19 mm	Metric
DAJC1128M-0608	9/16"-18	1/2"-14	19.05	38.50	7.54	13.49	22 mm	19 mm	Metric
DAJC1128M-0602IN	9/16"-18	1/8"-27	9.65	26.50	7.54	4.78	9/16"	5/8"	Imperial
DAJC1128M-0604IN	9/16"-18	1/4"-18	14.22	32.50	7.14	7.14	5/8"	11/16"	Imperial

DAJC1128M-0606IN	9/16"-18	3/8"-18	14.22	32.10	7.54	10.31	3/4"	11/16"	Imperial
DAJC1128M-0608IN	9/16"-18	1/2"-14	19.05	38.50	7.54	13.49	7/8"	11/16"	Imperial
DAJC1128M-0804	3/4"-16	1/4"-18	14.22	33.22	9.90	7.14	22 mm	22 mm	Metric
DAJC1128M-0806	3/4"-16	3/8"-18	14.22	33.40	9.90	9.90	19 mm	22 mm	Metric
DAJC1128M-0808	3/4"-16	1/2"-14	19.05	39.57	9.93	13.49	22 mm	22 mm	Metric
DAJC1128M-0812	3/4"-16	3/4"-14	19.05	42.40	9.90	18.26	30 mm	22 mm	Metric
DAJC1128M-0804IN	3/4"-16	1/4"-18	14.22	33.22	9.90	7.14	7/8"	7/8"	Imperial
DAJC1128M-0806IN	3/4"-16	3/8"-18	14.22	33.40	9.90	9.90	13/16"	7/8"	Imperial
DAJC1128M-0808IN	3/4"-16	1/2"-14	19.05	39.57	9.93	13.49	7/8"	7/8"	Imperial
DAJC1128M-0812IN	3/4"-16	3/4"-14	19.05	42.40	9.90	18.26	1-1/8"	7/8"	Imperial
DAJC1128M-1006	7/8"-14	3/8"-18	14.22	36.50	10.31	10.31	27 mm	27 mm	Metric
DAJC1128M-1008	7/8"-14	1/2"-14	19.05	40.65	12.29	12.29	24 mm	27 mm	Metric
DAJC1128M-1012	7/8"-14	3/4"-14	19.05	42.70	12.29	18.26	30 mm	27 mm	Metric
DAJC1128M-1006IN	7/8"-14	3/8"-18	14.22	36.50	10.31	10.31	1"	1"	Imperial
DAJC1128M-1008IN	7/8"-14	1/2"-14	19.05	40.65	12.29	12.29	15/16"	1"	Imperial
DAJC1128M-1012IN	7/8"-14	3/4"-14	19.05	42.70	12.29	18.26	1-1/8"	1"	Imperial
DAJC1128M-1208	1-1/16"-12	1/2"-14	19.05	40.00	15.47	13.49	27 mm	32 mm	Metric
DAJC1128M-1212	1-1/16"-12	3/4"-14	19.05	43.60	15.47	18.26	30 mm	32 mm	Metric
DAJC1128M-1216	1-1/16"-12	1"-11-1/2	23.88	48.50	15.47	23.83	36 mm	32 mm	Metric
DAJC1128M-1208IN	1-1/16"-12	1/2"-14	19.05	40.00	15.47	13.49	1"	1-1/4"	Imperial
DAJC1128M-1212IN	1-1/16"-12	3/4"-14	19.05	43.60	15.47	18.26	1-1/8"	1-1/4"	Imperial
DAJC1128M-1216IN	1-1/16"-12	1"-11-1/2	23.88	48.50	15.47	23.83	1-3/8"	1-1/4"	Imperial
DAJC1128M-1412	1-3/16"-12	3/4"-14	19.05	43.30	18.26	18.26	32 mm	36 mm	Metric
DAJC1128M-1412IN	1-3/16"-12	3/4"-14	19.05	43.30	18.26	18.26	1-1/4"	1-3/8"	Imperial
DAJC1128M-1612	1-5/16"-12	3/4"-14	19.05	44.10	21.44	18.26	32 mm	41 mm	Metric
DAJC1128M-1616	1-5/16"-12	1"-11-1/2	23.88	65.30	21.44	23.83	36 mm	41 mm	Metric
DAJC1128M-1612IN	1-5/16"-12	3/4"-14	19.05	44.10	21.44	18.26	1-1/4"	1-1/2"	Imperial
DAJC1128M-1616IN	1-5/16"-12	1"-11-1/2	23.88	65.30	21.44	23.83	1-3/8"	1-1/2"	Imperial
DAJC1128M-2016	1-5/8"-12	1"-11-1/2	23.88	52.70	27.42	23.83	46 mm	50 mm	Metric
DAJC1128M-2020	1-5/8"-12	1-1/4"-11-1/2	24.64	56.13	27.42	31.75	46 mm	50 mm	Metric
DAJC1128M-2016IN	1-5/8"-12	1"-11-1/2	23.88	52.70	27.42	23.83	1-11/16"	2"	Imperial
DAJC1128M-2020IN	1-5/8"-12	1-1/4"-11-1/2	24.64	56.13	27.42	31.75	1-11/16"	2"	Imperial
DAJC1128M-2420	1-7/8"-12	1-1/4"-11-1/2	24.64	56.50	33.32	31.75	50 mm	55 mm	Metric
DAJC1128M-2424	1-7/8"-12	1-1/2"-11-1/2	25.40	57.70	33.32	38.10	50 mm	55 mm	Metric
DAJC1128M-2420IN	1-7/8"-12	1-1/4"-11-1/2	24.64	56.50	33.32	31.75	2"	2-1/4"	Imperial
DAJC1128M-2424IN	1-7/8"-12	1-1/2"-11-1/2	25.40	57.70	33.32	38.10	2"	2-1/4"	Imperial
DAJC1128M-3232	2-1/2"-12	2"-11-1/2	26.16	63.50	45.24	49.23	65 mm	75 mm	Metric
DAJC1128M-3232IN	2-1/2"-12	2"-11-1/2	26.16	63.50	45.24	49.23	2-5/8"	2-7/8"	Imperial



## DAJC1107M

Straight Connector JIC Swivel Female – BSPT Male 60°

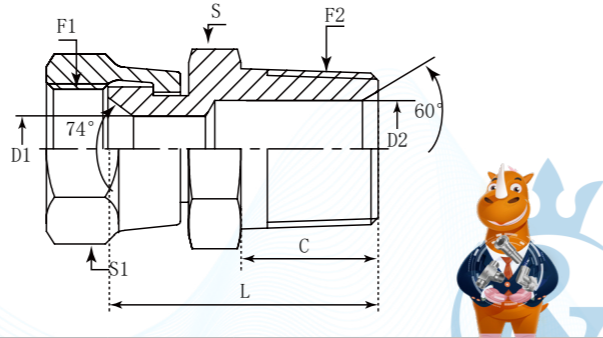
<b>D</b>	<b>A</b>	<b>JC</b>	<b>1</b>	<b>1</b>	<b>07</b>	<b>M</b>
Company	Product Range	Thread Types	Connection Type	Adaptor Structure	Thread Types	Connection Type
<b>DME</b>	Adaptor	JIC UNF	Swivel Female	Straight	BSPT	Male

German Technology Equipment

SHIELD FLEX

New-Standard

- DME&JDE Code:** DAJC1107M
- Product Type:** Hydraulic adaptor
- Standard:** JIC and SAE-ORB
- Structure:** Straight
- Connection Type:** Swivel Female x Male
- Thread Types:** UNF x BSPT 60°



PART NUMBER	F1 (Thread)	F2 (Thread)	C	L	D1	D2	S	S1
#	UNF	BSPT	mm	mm	mm	mm	mm	mm
DAJC1107M-0402	7/16"-20	1/8"-28	10.00	24.50	4.37	4.37	12.00	17.00
DAJC1107M-0404	7/16"-20	1/4"-19	14.00	28.50	4.37	6.00	14.00	17.00
DAJC1107M-0406	7/16"-20	3/8"-19	15.00	30.50	4.37	9.00	19.00	17.00
DAJC1107M-0504	1/2"-20	1/4"-19	14.00	29.00	5.94	5.94	14.00	17.00
DAJC1107M-0602	9/16"-18	1/8"-28	10.00	26.50	7.54	4.50	14.00	19.00
DAJC1107M-0606	9/16"-18	3/8"-19	15.00	31.00	7.54	9.00	17.00	19.00
DAJC1107M-0608	9/16"-18	1/2"-14	19.00	36.50	7.54	12.00	24.00	19.00
DAJC1107M-0804	3/4"-16	1/4"-19	14.00	31.50	9.93	6.00	19.00	24.00
DAJC1107M-0806	3/4"-16	3/8"-19	15.00	32.50	9.00	9.00	19.00	24.00
DAJC1107M-0808	3/4"-16	1/2"-14	19.00	37.50	9.93	12.00	24.00	24.00
DAJC1107M-1006	7/8"-14	3/8"-19	15.00	34.00	12.29	9.00	24.00	27.00
DAJC1107M-1012	7/8"-14	3/4"-14	20.00	42.50	12.29	16.70	30.00	27.00
DAJC1107M-1206	1-1/16"-12	3/8"-19	15.00	37.50	15.47	9.00	27.00	32.00
DAJC1107M-1208	1-1/16"-12	1/2"-14	19.00	43.00	15.47	12.00	27.00	32.00
DAJC1107M-1212	1-1/16"-12	3/4"-14	20.00	41.50	15.47	16.70	30.00	32.00
DAJC1107M-1216	1-1/16"-12	1"-11	24.00	48.50	15.47	22.20	36.00	32.00
DAJC1107M-1612	1-5/16"-12	3/4"-14	19.00	45.00	21.44	15.50	32.00	41.00
DAJC1107M-1616	1-5/16"-12	1"-11	24.00	47.50	21.44	22.20	36.00	41.00
DAJC1107M-2020	1-5/8"-12	1-1/4"-11	25.00	52.00	27.38	28.60	46.00	50.00
DAJC1107M-2424	1-7/8"-12	1-1/2"-11	25.00	57.50	33.32	33.32	50.00	55.00

## DAJCF125M

Straight Connector JIC Fixed Female – JIC Male

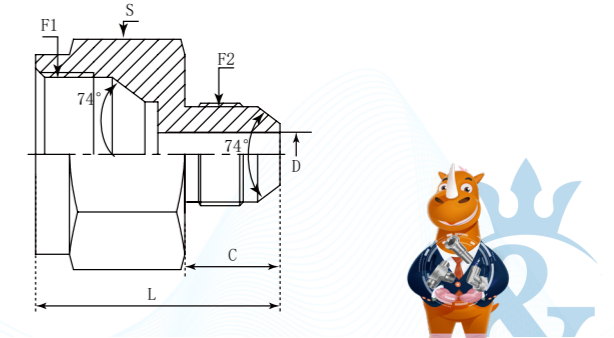
<b>D</b>	<b>A</b>	<b>JC</b>	<b>F</b>	<b>1</b>	<b>25</b>	<b>M</b>
Company	Product Range	Thread Types	Connection Type	Adaptor Structure	Thread Types	Connection Type
<b>DME</b>	Adaptor	JIC UNF	Female	Straight	JIC UNF	Male

German Technology Equipment

SHIELD FLEX

New-Standard

- DME&JDE Code:** DAJCF125M
- Product Type:** Hydraulic adaptor
- Standard:** JIC and SAE-ORB
- Structure:** Straight
- Connection Type:** Fixed Female x Male
- Thread Types:** UNF x UNF



PART NUMBER	F1 (Thread)	F2 (Thread)	C	D	L	S	Hex
#	UNF	UNF	mm	mm	mm	-	-
DAJCF125M-0203	5/16"-24	3/8"-24	12.17	1.57	24.9	11 mm	Metric
DAJCF125M-0204	5/16"-24	7/16"-20	13.97	1.57	27.5	14 mm	Metric
DAJCF125M-0203IN	5/16"-24	3/8"-24	12.17	1.57	24.9	7/16"	Imperial
DAJCF125M-0204IN	5/16"-24	7/16"-20	13.97	1.57	27.5	9/16"	Imperial
DAJCF125M-0304	3/8"-24	7/16"-20	13.97	3.18	28.30	14 mm	Metric
DAJCF125M-0304IN	3/8"-24	7/16"-20	13.97	3.18	28.30	9/16"	Imperial
DAJCF125M-0402	7/16"-20	5/16"-24	11.38	1.57	26.64	14 mm	Metric
DAJCF125M-0403	7/16"-20	3/8"-24	12.17	3.18	27.18	14 mm	Metric
DAJCF125M-0404	7/16"-20	7/16"-20	13.97	4.37	29.21	14 mm	Metric
DAJCF125M-0405	7/16"-20	1/2"-20	13.97	4.37	29.21	17 mm	Metric
DAJCF125M-0406	7/16"-20	9/16"-18	14.12	4.37	29.50	17 mm	Metric
DAJCF125M-0402IN	7/16"-20	5/16"-24	11.38	1.57	26.64	9/16"	Imperial
DAJCF125M-0403IN	7/16"-20	3/8"-24	12.17	3.18	27.18	9/16"	Imperial
DAJCF125M-0404IN	7/16"-20	7/16"-20	13.97	4.37	29.21	9/16"	Imperial
DAJCF125M-0405IN	7/16"-20	1/2"-20	13.97	4.37	29.21	5/8"	Imperial
DAJCF125M-0406IN	7/16"-20	9/16"-18	14.12	4.37	29.50	5/8"	Imperial
DAJCF125M-0504	1/2"-20	7/16"-20	13.97	4.37	30.23	17 mm	Metric
DAJCF125M-0506	1/2"-20	9/16"-18	14.12	5.94	30.23	17 mm	Metric
DAJCF125M-0508	1/2"-20	3/4"-16	16.69	5.94	32.30	19 mm	Metric
DAJCF125M-0504IN	1/2"-20	7/16"-20	13.97	4.37	30.23	5/8"	Imperial
DAJCF125M-0506IN	1/2"-20	9/16"-18	14.12	5.94	30.23	5/8"	Imperial
DAJCF125M-0508IN	1/2"-20	3/4"-16	16.69	5.94	32.30	13/16"	Imperial
DAJCF125M-0604	9/16"-18	7/16"-20	13.97	4.37	30.15	17 mm	Metric
DAJCF125M-0605	9/16"-18	1/2"-20	13.97	5.94	30.00	17 mm	Metric
DAJCF125M-0606	9/16"-18	9/16"-18	14.12	7.54	30.10	17 mm	Metric
DAJCF125M-0608	9/16"-18	3/4"-16	16.69	7.54	32.56	22 mm	Metric
DAJCF125M-0610	9/16"-18	7/8"-14	19.25	7.54	35.05	24 mm	Metric
DAJCF125M-0612	9/16"-18	1-1/16"-12	21.95	7.54	34.90	30 mm	Metric
DAJCF125M-0616	9/16"-18	1-5/16"-12	23.14	7.54	40.90	36 mm	Metric
DAJCF125M-0604IN	9/16"-18	7/16"-20	13.97	4.37	30.15	11/16"	Imperial
DAJCF125M-0605IN	9/16"-18	1/2"-20	13.97	5.94	30.00	11/16"	Imperial
DAJCF125M-0606IN	9/16"-18	9/16"-18	14.12	7.54	30.10	11/16"	Imperial
DAJCF125M-0608IN	9/16"-18	3/4"-16	16.69	7.54	32.56	13/16"	Imperial
DAJCF125M-0610IN	9/16"-18	7/8"-14	19.25	7.54	35.05	15/16"	Imperial

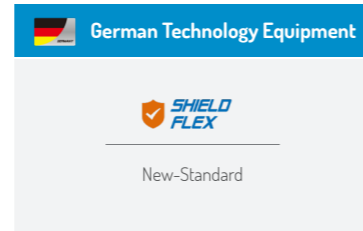
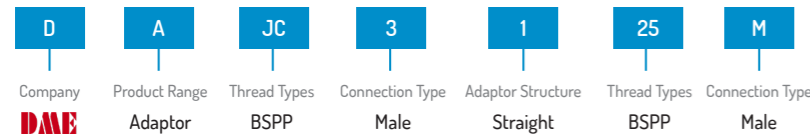
DAJCF125M-0612IN	9/16"-18	1-1/16"-12	21.95	7.54	34.90	1-1/8"	Imperial
DAJCF125M-0616IN	9/16"-18	1-5/16"-12	23.14	7.54	40.90	1-3/8"	Imperial
DAJCF125M-0804	3/4"-16	7/16"-20	13.97	4.37	33.02	22 mm	Metric
DAJCF125M-0805	3/4"-16	1/2"-20	13.97	5.94	36.83	22 mm	Metric
DAJCF125M-0806	3/4"-16	9/16"-18	14.12	7.54	33.27	24 mm	Metric
DAJCF125M-0808	3/4"-16	3/4"-16	16.69	9.93	40.13	24 mm	Metric
DAJCF125M-0810	3/4"-16	7/8"-14	19.25	9.93	32.80	24 mm	Metric
DAJCF125M-0812	3/4"-16	1-1/16"-12	21.95	9.93	40.89	30 mm	Metric
DAJCF125M-0816	3/4"-16	1-5/16"-12	23.14	9.93	44.70	36 mm	Metric
DAJCF125M-0804IN	3/4"-16	7/16"-20	13.97	4.37	33.02	7/8"	Imperial
DAJCF125M-0805IN	3/4"-16	1/2"-20	13.97	5.94	36.83	7/8"	Imperial
DAJCF125M-0806IN	3/4"-16	9/16"-18	14.12	7.54	33.27	7/8"	Imperial
DAJCF125M-0808IN	3/4"-16	3/4"-16	16.69	9.93	40.13	7/8"	Imperial
DAJCF125M-0810IN	3/4"-16	7/8"-14	19.25	9.93	32.80	15/16"	Imperial
DAJCF125M-0812IN	3/4"-16	1-1/16"-12	21.95	9.93	40.89	1-1/8"	Imperial
DAJCF125M-0816IN	3/4"-16	1-5/16"-12	23.14	9.93	44.70	1-3/8"	Imperial
DAJCF125M-1004	7/8"-14	7/16"-20	13.97	4.37	35.30	27 mm	Metric
DAJCF125M-1005	7/8"-14	1/2"-20	13.97	5.94	35.80	27 mm	Metric
DAJCF125M-1006	7/8"-14	9/16"-18	14.12	7.54	35.80	27 mm	Metric
DAJCF125M-1008	7/8"-14	3/4"-16	16.69	9.93	35.80	27 mm	Metric
DAJCF125M-1010	7/8"-14	7/8"-14	19.25	12.29	38.00	27 mm	Metric
DAJCF125M-1012	7/8"-14	1-1/16"-12	21.95	12.29	38.10	30 mm	Metric
DAJCF125M-1016	7/8"-14	1-5/16"-12	23.14	12.29	44.70	36 mm	Metric
DAJCF125M-1004IN	7/8"-14	7/16"-20	13.97	4.37	35.30	1"	Imperial
DAJCF125M-1005IN	7/8"-14	1/2"-20	13.97	5.94	35.80	1"	Imperial
DAJCF125M-1006IN	7/8"-14	9/16"-18	14.12	7.54	35.80	1"	Imperial
DAJCF125M-1008IN	7/8"-14	3/4"-16	16.69	9.93	35.80	1"	Imperial
DAJCF125M-1010IN	7/8"-14	7/8"-14	19.25	12.29	38.00	1"	Imperial
DAJCF125M-1012IN	7/8"-14	1-1/16"-12	21.95	12.29	38.10	1-1/8"	Imperial
DAJCF125M-1016IN	7/8"-14	1-5/16"-12	23.14	12.29	44.70	1-3/8"	Imperial
DAJCF125M-1204	1-1/16"-12	7/16"-20	13.97	4.37	38.10	32 mm	Metric
DAJCF125M-1205	1-1/16"-12	1/2"-20	13.97	5.94	38.10	32 mm	Metric
DAJCF125M-1206	1-1/16"-12	9/16"-18	14.12	7.54	37.10	32 mm	Metric
DAJCF125M-1208	1-1/16"-12	3/4"-16	16.69	9.93	42.70	32 mm	Metric
DAJCF125M-1210	1-1/16"-12	7/8"-14	19.25	12.29	41.66	32 mm	Metric
DAJCF125M-1212	1-1/16"-12	1-1/16"-12	21.95	15.47	41.66	32 mm	Metric
DAJCF125M-1216	1-1/16"-12	1-5/16"-12	23.14	15.47	46.20	36 mm	Metric
DAJCF125M-1220	1-1/16"-12	1-5/8"-12	24.33	15.47	43.50	46 mm	Metric
DAJCF125M-1204IN	1-1/16"-12	7/16"-20	13.97	4.37	38.10	1-1/4"	Imperial
DAJCF125M-1205IN	1-1/16"-12	1/2"-20	13.97	5.94	38.10	1-1/4"	Imperial
DAJCF125M-1206IN	1-1/16"-12	9/16"-18	14.12	7.54	37.10	1-1/4"	Imperial
DAJCF125M-1208IN	1-1/16"-12	3/4"-16	16.69	9.93	42.70	1-1/4"	Imperial
DAJCF125M-1210IN	1-1/16"-12	7/8"-14	19.25	12.29	41.66	1-1/4"	Imperial
DAJCF125M-1212IN	1-1/16"-12	1-1/16"-12	21.95	15.47	41.66	1-1/4"	Imperial
DAJCF125M-1216IN	1-1/16"-12	1-5/16"-12	23.14	15.47	46.20	1-3/8"	Imperial
DAJCF125M-1220IN	1-1/16"-12	1-5/8"-12	24.33	15.47	43.50	1-11/16"	Imperial
DAJCF125M-1408	1-3/16"-12	3/4"-16	16.69	9.93	42.93	36 mm	Metric
DAJCF125M-1410	1-3/16"-12	7/8"-14	19.25	12.29	43.94	36 mm	Metric
DAJCF125M-1412	1-3/16"-12	1-1/16"-12	21.95	15.47	46.74	36 mm	Metric
DAJCF125M-1414	1-3/16"-12	1-3/16"-12	22.61	15.47	46.28	36 mm	Metric
DAJCF125M-1416	1-3/16"-12	1-5/16"-12	23.14	18.26	50.44	36 mm	Metric
DAJCF125M-1408IN	1-3/16"-12	3/4"-16	16.69	9.93	42.93	1-3/8"	Imperial
DAJCF125M-1410IN	1-3/16"-12	7/8"-14	19.25	12.29	43.94	1-3/8"	Imperial
DAJCF125M-1412IN	1-3/16"-12	1-1/16"-12	21.95	15.47	46.74	1-3/8"	Imperial
DAJCF125M-1414IN	1-3/16"-12	1-3/16"-12	22.61	15.47	46.28	1-3/8"	Imperial
DAJCF125M-1416IN	1-3/16"-12	1-5/16"-12	23.14	18.26	50.44	1-3/8"	Imperial
DAJCF125M-1604	1-5/16"-12	7/16"-20	13.97	4.37	46.70	41 mm	Metric
DAJCF125M-1605	1-5/16"-12	1/2"-20	13.97	5.94	46.70	41 mm	Metric
DAJCF125M-1606	1-5/16"-12	9/16"-18	14.12	7.54	46.70	41 mm	Metric
DAJCF125M-1608	1-5/16"-12	3/4"-16	16.69	9.93	43.70	41 mm	Metric
DAJCF125M-1610	1-5/16"-12	7/8"-14	19.25	12.29	45.47	41 mm	Metric

DAJCF125M-1612	1-5/16"-12	1-1/16"-12	21.95	15.47	48.30	41 mm	Metric
DAJCF125M-1614	1-5/16"-12	1-3/16"-12	22.61	18.26	48.51	41 mm	Metric
DAJCF125M-1616	1-5/16"-12	1-5/16"-12	23.14	21.44	49.00	41 mm	Metric
DAJCF125M-1620	1-5/16"-12	1-5/8"-12	24.33	21.44	43.43	46 mm	Metric
DAJCF125M-1624	1-5/16"-12	1-7/8"-12	27.51	21.44	54.48	50 mm	Metric
DAJCF125M-1604IN	1-5/16"-12	7/16"-20	13.97	4.37	46.70	1-1/2"	Imperial
DAJCF125M-1605IN	1-5/16"-12	1/2"-20	13.97	5.94	46.70	1-1/2"	Imperial
DAJCF125M-1606IN	1-5/16"-12	9/16"-18	14.12	7.54	46.70	1-1/2"	Imperial
DAJCF125M-1608IN	1-5/16"-12	3/4"-16	16.69	9.93	43.70	1-1/2"	Imperial
DAJCF125M-1610IN	1-5/16"-12	7/8"-14	19.25	12.29	45.47	1-1/2"	Imperial
DAJCF125M-1612IN	1-5/16"-12	1-1/16"-12	21.95	15.47	48.30	1-1/2"	Imperial
DAJCF125M-1614IN	1-5/16"-12	1-3/16"-12	22.61	18.26	48.51	1-1/2"	Imperial
DAJCF125M-1616IN	1-5/16"-12	1-5/16"-12	23.14	21.44	49.00	1-1/2"	Imperial
DAJCF125M-1620IN	1-5/16"-12	1-5/8"-12	24.33	21.44	43.43	1-11/16"	Imperial
DAJCF125M-1624IN	1-5/16"-12	1-7/8"-12	27.51	21.44	54.48	2"	Imperial
DAJCF125M-2004	1-5/8"-12	7/16"-20	13.97	4.37	42.60	50 mm	Metric
DAJCF125M-2005	1-5/8"-12	1/2"-20	13.97	5.94	42.60	50 mm	Metric
DAJCF125M-2006	1-5/8"-12	9/16"-18	14.12	7.54	42.60	50 mm	Metric
DAJCF125M-2008	1-5/8"-12	3/4"-16	16.69	9.93	46.70	50 mm	Metric
DAJCF125M-2010	1-5/8"-12	7/8"-14	19.25	12.29	50.80	50 mm	Metric
DAJCF125M-2012	1-5/8"-12	1-1/16"-12	21.95	15.47	50.80	50 mm	Metric
DAJCF125M-2016	1-5/8"-12	1-5/16"-12	23.14	21.44	50.90	50 mm	Metric
DAJCF125M-2020	1-5/8"-12	1-5/8"-12	24.33	27.38	52.10	50 mm	Metric
DAJCF125M-2024	1-5/8"-12	1-7/8"-12	27.51	27.38	54.36	50 mm	Metric
DAJCF125M-2004IN	1-5/8"-12	7/16"-20	13.97	4.37	42.60	2"	Imperial
DAJCF125M-2005IN	1-5/8"-12	1/2"-20	13.97	5.94	42.60	2"	Imperial
DAJCF125M-2006IN	1-5/8"-12	9/16"-18	14.12	7.54	42.60	2"	Imperial
DAJCF125M-2008IN	1-5/8"-12	3/4"-16	16.69	9.93	46.70	2"	Imperial
DAJCF125M-2010IN	1-5/8"-12	7/8"-14	19.25	12.29	50.80	2"	Imperial
DAJCF125M-2012IN	1-5/8"-12	1-1/16"-12	21.95	15.47	50.80	2"	Imperial
DAJCF125M-2016IN	1-5/8"-12	1-5/16"-12	23.14	21.44	50.90	2"	Imperial
DAJCF125M-2020IN	1-5/8"-12	1-5/8"-12	24.33	27.38	52.10	2"	Imperial
DAJCF125M-2024IN	1-5/8"-12	1-7/8"-12	27.51	27.38	54.36	2"	Imperial
DAJCF125M-2404	1-7/8"-12	7/16"-20	13.97	4.37	44.30	55 mm	Metric
DAJCF125M-2405	1-7/8"-12	1/2"-20	13.97	5.94	44.30	55 mm	Metric
DAJCF125M-2406	1-7/8"-12	9/16"-18	14.12	7.54	52.00	55 mm	Metric
DAJCF125M-2408	1-7/8"-12	3/4"-16	16.69	9.93	47.00	55 mm	Metric
DAJCF125M-2410	1-7/8"-12	7/8"-14	19.25	12.29	55.60	55 mm	Metric
DAJCF125M-2412	1-7/8"-12	1-1/16"-12	21.95	15.47	53.34	55 mm	Metric
DAJCF125M-2416	1-7/8"-12	1-5/16"-12	23.14	21.44	54.61	55 mm	Metric
DAJCF125M-2420	1-7/8"-12	1-5/8"-12	24.33	27.38	55.63	55 mm	Metric
DAJCF125M-2424	1-7/8"-12	1-7/8"-12	27.51	27.38	62.68	55 mm	Metric
DAJCF125M-2432	1-7/8"-12	2-1/2"-12	33.86	33.32	60.80	65 mm	Metric
DAJCF125M-2404IN	1-7/8"-12	7/16"-20	13.97	4.37	44.30	2-1/4"	Imperial
DAJCF125M-2405IN	1-7/8"-12	1/2"-20	13.97	5.94	44.30	2-1/4"	Imperial
DAJCF125M-2406IN	1-7/8"-12	9/16"-18	14.12	7.54	52.00	2-1/4"	Imperial
DAJCF125M-2408IN	1-7/8"-12	3/4"-16	16.69	9.93	47.00	2-1/4"	Imperial
DAJCF125M-2410IN	1-7/8"-12	7/8"-14	19.25	12.29	55.60	2-1/4"	Imperial
DAJCF125M-2412IN	1-7/8"-12	1-1/16"-12	21.95	15.47	53.34	2-1/4"	Imperial
DAJCF125M-2416IN	1-7/8"-12	1-5/16"-12	23.14	21.44	54.61	2-1/4"	Imperial
DAJCF125M-2420IN	1-7/8"-12	1-5/8"-12	24.33	27.38	55.63	2-1/4"	Imperial
DAJCF125M-2424IN	1-7/8"-12	1-7/8"-12	27.51	27.38	62.68	2-1/4"	Imperial
DAJCF125M-2432IN	1-7/8"-12	2-1/2"-12	33.86	33.32	60.80	2-5/8"	Imperial
DAJCF125M-3208	2-1/2"-12	3/4"-16	16.70	9.93	60.00	73 mm	Metric
DAJCF125M-3212	2-1/2"-12	1-1/16"-12	21.95	15.47	58.40	73 mm	Metric
DAJCF125M-3216	2-1/2"-12	1-5/16"-12	23.14	21.44	67.50	73 mm	Metric
DAJCF125M-3220	2-1/2"-12	1-5/8"-12	24.33	27.38	70.50	73 mm	Metric
DAJCF125M-3224	2-1/2"-12	1-7/8"-12	27.51	33.32	69.70	73 mm	Metric
DAJCF125M-3208IN	2-1/2"-12	3/4"-16	16.70	9.93	60.00	2-7/8"	Imperial
DAJCF125M-3212IN	2-1/2"-12	1-1/16"-12	21.95	15.47	58.40	2-7/8"	Imperial
DAJCF125M-3216IN	2-1/2"-12	1-5/16"-12	23.14	21.44	67.50	2-7/8"	Imperial
DAJCF125M-3220IN	2-1/2"-12	1-5/8"-12	24.33	27.38	70.50	2-7/8"	Imperial
DAJCF125M-3224IN	2-1/2"-12	1-7/8"-12	27.51	33.32	69.70	2-7/8"	Imperial

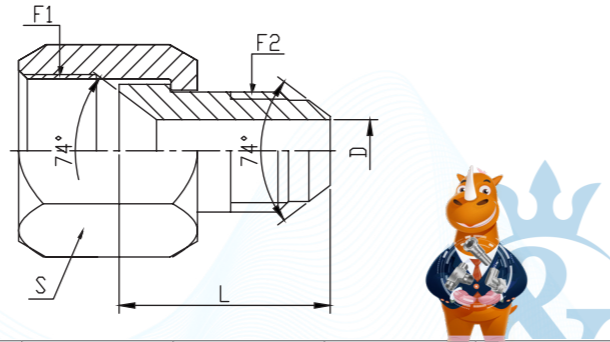


# DAJC3125M

Straight Connector JIC Swivel Female – JIC Male



- DME&JDE Code:** DAJC3125M
- Product Type:** Hydraulic adaptor
- Standard:** JIC and SAE-ORB
- Structure:** Straight
- Connection Type:** Swivel Female x Male
- Thread Types:** UNF x UNF



PART NUMBER	F1 (Thread)	F2 (Thread)	D	L	S	Hex
#	UNF	UNF	mm	mm	-	-
DAJC3125M-0504	1/2"-20	7/16"-20	5.94	24.60	17 mm	Metric
DAJC3125M-0504IN	1/2"-20	7/16"-20	5.94	24.60	5/8"	Imperial
DAJC3125M-0604	9/16"-18	7/16"-20	4.40	24.60	19 mm	Metric
DAJC3125M-0605	9/16"-18	1/2"-20	5.94	24.60	19 mm	Metric
DAJC3125M-0604IN	9/16"-18	7/16"-20	4.40	24.60	13/16"	Imperial
DAJC3125M-0605IN	9/16"-18	1/2"-20	5.94	24.60	13/16"	Imperial
DAJC3125M-0804	3/4"-16	7/16"-20	4.37	25.40	22 mm	Metric
DAJC3125M-0805	3/4"-16	1/2"-20	5.94	25.40	22 mm	Metric
DAJC3125M-0806	3/4"-16	9/16"-18	7.50	25.50	22 mm	Metric
DAJC3125M-0804IN	3/4"-16	7/16"-20	4.37	25.40	13/16"	Imperial
DAJC3125M-0805IN	3/4"-16	1/2"-20	5.94	25.40	13/16"	Imperial
DAJC3125M-0806IN	3/4"-16	9/16"-18	7.50	25.50	13/16"	Imperial
DAJC3125M-1004	7/8"-14	7/16"-20	4.37	26.10	27 mm	Metric
DAJC3125M-1005	7/8"-14	1/2"-20	5.94	26.10	27 mm	Metric
DAJC3125M-1006	7/8"-14	9/16"-18	7.50	28.50	27 mm	Metric
DAJC3125M-1008	7/8"-14	3/4"-16	9.93	29.50	27 mm	Metric
DAJC3125M-1004IN	7/8"-14	7/16"-20	4.37	26.10	1-1/8"	Imperial
DAJC3125M-1005IN	7/8"-14	1/2"-20	5.94	26.10	1-1/8"	Imperial
DAJC3125M-1006IN	7/8"-14	9/16"-18	7.50	28.50	1-1/8"	Imperial
DAJC3125M-1008IN	7/8"-14	3/4"-16	9.93	29.50	1-1/8"	Imperial
DAJC3125M-1204	1-1/16"-12	7/16"-20	4.40	27.70	32 mm	Metric
DAJC3125M-1205	1-1/16"-12	1/2"-20	5.94	27.70	32 mm	Metric
DAJC3125M-1206	1-1/16"-12	9/16"-18	7.50	27.70	32 mm	Metric
DAJC3125M-1208	1-1/16"-12	3/4"-16	9.93	30.40	32 mm	Metric
DAJC3125M-1210	1-1/16"-12	7/8"-14	12.29	32.80	32 mm	Metric
DAJC3125M-1204IN	1-1/16"-12	7/16"-20	4.40	27.70	1-1/4"	Imperial
DAJC3125M-1205IN	1-1/16"-12	1/2"-20	5.94	27.70	1-1/4"	Imperial

Web: <https://www.dmejde.com>  
E-mail: [info@dmejde.com](mailto:info@dmejde.com)



DAJC3125M-1206IN	1-1/16"-12	9/16"-18	7.50	27.70	1-1/4"	Imperial
DAJC3125M-1208IN	1-1/16"-12	3/4"-16	9.93	30.40	1-1/4"	Imperial
DAJC3125M-1210IN	1-1/16"-12	7/8"-14	12.29	32.80	1-1/4"	Imperial
DAJC3125M-1604	1-5/16"-12	7/16"-20	4.37	30.00	41 mm	Metric
DAJC3125M-1605	1-5/16"-12	1/2"-20	5.94	30.00	41 mm	Metric
DAJC3125M-1606	1-5/16"-12	9/16"-18	7.54	30.00	41 mm	Metric
DAJC3125M-1608	1-5/16"-12	3/4"-16	9.93	32.50	41 mm	Metric
DAJC3125M-1610	1-5/16"-12	7/8"-14	12.29	34.60	41 mm	Metric
DAJC3125M-1612	1-5/16"-12	1-1/16"-12	15.50	37.30	41 mm	Metric
DAJC3125M-1604IN	1-5/16"-12	7/16"-20	4.37	30.00	1-1/2"	Imperial
DAJC3125M-1605IN	1-5/16"-12	1/2"-20	5.94	30.00	1-1/2"	Imperial
DAJC3125M-1606IN	1-5/16"-12	9/16"-18	7.54	30.00	1-1/2"	Imperial
DAJC3125M-1608IN	1-5/16"-12	3/4"-16	9.93	32.50	1-1/2"	Imperial
DAJC3125M-1610IN	1-5/16"-12	7/8"-14	12.29	34.60	1-1/2"	Imperial
DAJC3125M-1612IN	1-5/16"-12	1-1/16"-12	15.50	37.30	1-1/2"	Imperial
DAJC3125M-2004	1-5/8"-12	7/16"-20	4.37	31.00	50 mm	Metric
DAJC3125M-2005	1-5/8"-12	1/2"-20	5.94	31.00	50 mm	Metric
DAJC3125M-2006	1-5/8"-12	9/16"-18	7.54	31.10	50 mm	Metric
DAJC3125M-2008	1-5/8"-12	3/4"-16	9.93	33.60	50 mm	Metric
DAJC3125M-2010	1-5/8"-12	7/8"-14	12.29	36.20	50 mm	Metric
DAJC3125M-2012	1-5/8"-12	1-1/16"-12	15.50	38.90	50 mm	Metric
DAJC3125M-2016	1-5/8"-12	1-5/16"-12	21.40	40.40	50 mm	Metric
DAJC3125M-2004IN	1-5/8"-12	7/16"-20	4.37	31.00	1-7/8"	Imperial
DAJC3125M-2005IN	1-5/8"-12	1/2"-20	5.94	31.00	1-7/8"	Imperial
DAJC3125M-2006IN	1-5/8"-12	9/16"-18	7.54	31.10	1-7/8"	Imperial
DAJC3125M-2008IN	1-5/8"-12	3/4"-16	9.93	33.60	1-7/8"	Imperial
DAJC3125M-2010IN	1-5/8"-12	7/8"-14	12.29	36.20	1-7/8"	Imperial
DAJC3125M-2012IN	1-5/8"-12	1-1/16"-12	15.50	38.90	1-7/8"	Imperial
DAJC3125M-2016IN	1-5/8"-12	1-5/16"-12	21.40	40.40	1-7/8"	Imperial
DAJC3125M-2404	1-7/8"-12	7/16"-20	4.37	37.70	60 mm	Metric
DAJC3125M-2405	1-7/8"-12	1/2"-20	5.94	37.70	60 mm	Metric
DAJC3125M-2406	1-7/8"-12	9/16"-18	7.54	37.90	60 mm	Metric
DAJC3125M-2408	1-7/8"-12	3/4"-16	9.93	40.50	60 mm	Metric
DAJC3125M-2410	1-7/8"-12	7/8"-14	12.29	43.00	60 mm	Metric
DAJC3125M-2412	1-7/8"-12	1-1/16"-12	15.47	45.70	60 mm	Metric
DAJC3125M-2416	1-7/8"-12	1-5/16"-12	21.44	42.00	60 mm	Metric
DAJC3125M-2420	1-7/8"-12	1-5/8"-12	27.40	43.00	60 mm	Metric
DAJC3125M-2404IN	1-7/8"-12	7/16"-20	4.37	37.70	2-5/16"	Imperial
DAJC3125M-2405IN	1-7/8"-12	1/2"-20	5.94	37.70	2-5/16"	Imperial
DAJC3125M-2406IN	1-7/8"-12	9/16"-18	7.54	37.90	2-5/16"	Imperial
DAJC3125M-2408IN	1-7/8"-12	3/4"-16	9.93	40.50	2-5/16"	Imperial
DAJC3125M-2410IN	1-7/8"-12	7/8"-14	12.29	43.00	2-5/16"	Imperial
DAJC3125M-2412IN	1-7/8"-12	1-1/16"-12	15.47	45.70	2-5/16"	Imperial
DAJC3125M-2416IN	1-7/8"-12	1-5/16"-12	21.44	42.00	2-5/16"	Imperial
DAJC3125M-2420IN	1-7/8"-12	1-5/8"-12	27.40	43.00	2-5/16"	Imperial
DAJC3125M-3224	2-1/2"-12	1-7/8"-12	33.32	55.50	75 mm	Metric
DAJC3125M-3224IN	2-1/2"-12	1-7/8"-12	33.32	55.50	2-7/8"	Imperial



Web: <https://www.dmejde.com>  
E-mail: [info@dmejde.com](mailto:info@dmejde.com)



# DAJCF1251

Straight Connector JIC Fixed Female – JIC Swivel Female

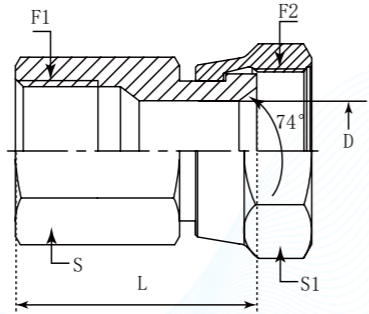
<b>D</b>	<b>A</b>	<b>JC</b>	<b>F</b>	<b>1</b>	<b>251</b>
Company	Product Range	Thread Types	Connection Type	Adaptor Structure	Connection Type
<b>DME</b>	Adaptor	JIC UNF	Female	Straight	JIC Swivel Female

German Technology Equipment

SHIELD FLEX

New-Standard

- DME&JDE Code:** DAJCF1251
- Product Type:** Hydraulic adaptor
- Standard:** JIC and SAE-ORB
- Structure:** Straight
- Connection Type:** Female x Swivel Female
- Thread Types:** UNF x UNF



PART NUMBER	F1 (Thread)	F2 (Thread)	D	L	S	S1	Hex
#	UNF	UNF	mm	mm	-	-	-
DAJCF1251-0404	7/16"-20	7/16"-20	4.37	25.00	14 mm	14 mm	Metric
DAJCF1251-0404IN	7/16"-20	7/16"-20	4.37	25.00	9/16"	9/16"	Imperial
DAJCF1251-0505	1/2"-20	1/2"-20	5.94	25.00	17 mm	17 mm	Metric
DAJCF1251-0505IN	1/2"-20	1/2"-20	5.94	25.00	5/8"	5/8"	Imperial
DAJCF1251-0606	9/16"-18	9/16"-18	7.54	25.50	19 mm	19 mm	Metric
DAJCF1251-0606IN	9/16"-18	9/16"-18	7.54	25.50	13/16"	13/16"	Imperial
DAJCF1251-0808	3/4"-16	3/4"-16	9.93	32.00	22 mm	24 mm	Metric
DAJCF1251-0808IN	3/4"-16	3/4"-16	9.93	32.00	13/16"	15/16"	Imperial
DAJCF1251-1010	7/8"-14	7/8"-14	12.30	36.00	27 mm	27 mm	Metric
DAJCF1251-1010IN	7/8"-14	7/8"-14	12.30	36.00	1-1/8"	1-1/8"	Imperial
DAJCF1251-1212	1-1/16"-12	1-1/16"-12	15.47	37.00	32 mm	32 mm	Metric
DAJCF1251-1212IN	1-1/16"-12	1-1/16"-12	15.47	37.00	1-1/4"	1-1/4"	Imperial
DAJCF1251-1616	1-5/16"-12	1-5/16"-12	21.44	40.00	41 mm	41 mm	Metric
DAJCF1251-1616IN	1-5/16"-12	1-5/16"-12	21.44	40.00	1-1/2"	1-1/2"	Imperial
DAJCF1251-2020	1-5/8"-12	1-5/8"-12	27.42	43.00	50 mm	50 mm	Metric
DAJCF1251-2020IN	1-5/8"-12	1-5/8"-12	27.42	43.00	1-7/8"	1-7/8"	Imperial
DAJCF1251-2424	1-7/8"-12	1-7/8"-12	33.32	50.00	60 mm	60 mm	Metric
DAJCF1251-2424IN	1-7/8"-12	1-7/8"-12	33.32	50.00	2-5/16"	2-5/16"	Imperial

# DAJCI1251

Straight Connector JIC Swivel Female – JIC Swivel Female

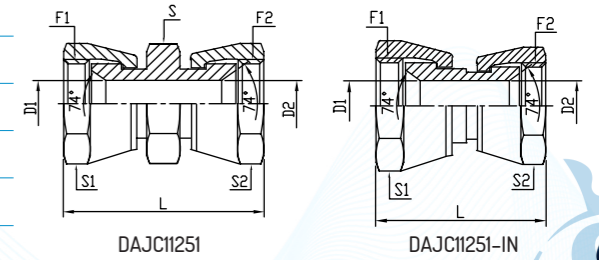
<b>D</b>	<b>A</b>	<b>JC</b>	<b>1</b>	<b>1</b>	<b>251</b>
Company	Product Range	Thread Types	Connection Type	Adaptor Structure	Thread Types
<b>DME</b>	Adaptor	BSPB	Male	Straight	BSPB

German Technology Equipment

SHIELD FLEX

New-Standard

- DME&JDE Code:** DAJCI1251
- Product Type:** Hydraulic adaptor
- Standard:** JIC and SAE-ORB
- Structure:** Straight
- Connection Type:** Swivel Female x Swivel Female
- Thread Types:** UNF x UNF



PART NUMBER	F1 (Thread)	F2 (Thread)	D1	D2	L	Hex	S	S1	S2
#	UNF	UNF	mm	mm	mm	Hex	mm/inch	mm/inch	mm/inch
DAJCI1251-0202IN	5/16"-24	5/16"-24	1.57	1.57	33.00	Imperial	/	11.13"	11.13"
DAJCI1251-0303IN	3/8"-24	3/8"-24	3.18	3.18	33.00	Imperial	/	12.7"	12.7"
DAJCI1251-0404	7/16"-20	7/16"-20	4.37	4.37	41.00	Metric	11 mm	14 mm	14 mm
DAJCI1251-0404IN	7/16"-20	7/16"-20	4.37	4.37	32.80	Imperial	/	14.27"	14.27"
DAJCI1251-0505	1/2"-20	1/2"-20	5.94	5.94	44.00	Metric	14 mm	17 mm	14 mm
DAJCI1251-0505IN	1/2"-20	1/2"-20	5.94	5.94	38.20	Imperial	/	15.88"	15.88"
DAJCI1251-0604	9/16"-18	7/16"-20	7.54	4.37	43.50	Metric	14 mm	19 mm	14 mm
DAJCI1251-0604IN	9/16"-18	7/16"-20	7.54	4.37	36.40	Imperial	/	17.45"	14.27"
DAJCI1251-0605IN	9/16"-18	1/2"-20	7.54	5.94	42.50	Imperial	/	17.45"	15.88"
DAJCI1251-0606	9/16"-18	9/16"-18	7.54	7.54	48.30	Metric	14 mm	19 mm	19 mm
DAJCI1251-0606IN	9/16"-18	9/16"-18	7.54	7.54	41.30	Imperial	/	22.23"	17.45"
DAJCI1251-0804IN	3/4"-16	7/16"-20	9.93	4.37	45.20	Imperial	/	22.23"	14.27"
DAJCI1251-0806	3/4"-16	9/16"-18	9.93	7.54	49.50	Metric	22 mm	22 mm	19 mm
DAJCI1251-0806IN	3/4"-16	9/16"-18	9.93	7.54	41.60	Imperial	/	22.23"	17.45"
DAJCI1251-0808	3/4"-16	3/4"-16	9.93	9.93	52.70	Metric	22 mm	22 mm	22 mm
DAJCI1251-0808IN	3/4"-16	3/4"-16	9.93	9.93	45.10	Imperial	/	22.23"	22.23"
DAJCI1251-1006IN	7/8"-14	9/16"-18	12.29	7.54	47.40	Imperial	/	25.4"	17.45"
DAJCI1251-1008IN	7/8"-14	3/4"-16	12.29	9.93	46.80	Imperial	/	25.4"	22.23"
DAJCI1251-1010	7/8"-14	7/8"-14	12.29	12.29	61.50	Metric	22 mm	27 mm	27 mm
DAJCI1251-1010IN	7/8"-14	7/8"-14	12.29	12.29	50.60	Imperial	/	25.4"	25.4"
DAJCI1251-1208	1-1/16"-12	3/4"-16	15.47	9.93	61.00	Metric	32 mm	32 mm	22 mm
DAJCI1251-1208IN	1-1/16"-12	3/4"-16	15.47	9.93	53.60	Imperial	/	31.75"	22.23"
DAJCI1251-1210	1-1/16"-12	7/8"-14	15.47	12.29	64.00	Metric	32 mm	32 mm	27 mm
DAJCI1251-1210IN	1-1/16"-12	7/8"-14	15.47	12.29	56.40	Imperial	/	31.75"	25.4"
DAJCI1251-1212	1-1/16"-12	1-1/16"-12	15.47	15.47	64.50	Metric	32 mm	32 mm	32 mm
DAJCI1251-1212IN	1-1/16"-12	1-1/16"-12	15.47	15.47	56.50	Imperial	/	31.75"	31.75"
DAJCI1251-1414IN	1-3/16"-12	1-3/16"-12	18.26	18.26	58.90	Imperial	/	34.93"	34.93"
DAJCI1251-1612	1-5/16"-12	1-1/16"-12	15.47	15.47	69.90	Metric	36 mm	41 mm	32 mm
DAJCI1251-1612IN	1-5/16"-12	1-1/16"-12	15.47	15.47	61.10	Imperial	/	38.1"	31.75"
DAJCI1251-1616	1-5/16"-12	1-5/16"-12	21.44	21.44	70.00	Metric	36 mm	41 mm	41 mm
DAJCI1251-1616IN	1-5/16"-12	1-5/16"-12	21.44	21.44	61.20	Imperial	/	38.1"	38.1"
DAJCI1251-2020	1-5/8"-12	1-5/8"-12	27.38	27.42	77.80	Metric	46 mm	50 mm	50 mm
DAJCI1251-2020IN	1-5/8"-12	1-5/8"-12	27.38	27.42	64.80	Imperial	/	5.08"	50.8"
DAJCI1251-2424IN	1-7/8"-12	1-7/8"-12	33.32	33.32	72.80	Imperial	/	57.15"	57.15"
DAJCI1251-3232IN	2-1/2"-12	2-1/2"-12	45.24	45.24	87.90	Imperial	/	73.02"	73.02"

**Certificate:**



# DAJC1128F

Straight Connector JIC Swivel Female – NPTF Female

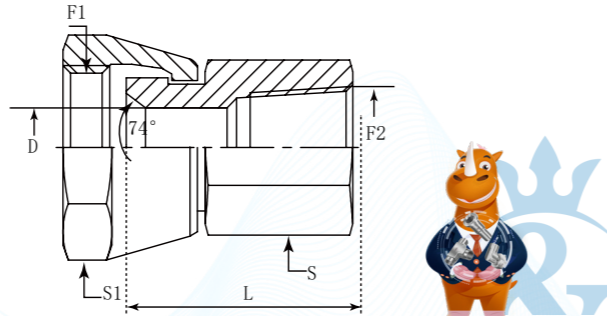
<b>D</b>	<b>A</b>	<b>JC</b>	<b>1</b>	<b>1</b>	<b>28</b>	<b>F</b>
Company	Product Range	Thread Types	Connection Type	Adaptor Structure	Thread Types	Connection Type
<b>DME</b>	Adaptor	JIC UNF	Swivel Female	Straight	NPTF	Female

German Technology Equipment

**SHIELD FLEX**

New-Standard

- DME&JDE Code: **DAJC1128F**
- Product Type: **Hydraulic adaptor**
- Standard: **JIC and SAE-ORB**
- Structure: **Straight**
- Connection Type: **Swivel Female x Female**
- Thread Types: **UNF x NPTF**



PART NUMBER	F1 (Thread)	F2 (Thread)	D	L	S	S1	Hex
#	UNF	NPTF	mm	mm	-	-	-
DAJC1128F-0202	5/16"-24	1/8"-27	1.57	22.60	14 mm	11 mm	Metric
DAJC1128F-0204	5/16"-24	1/4"-18	1.57	30.50	19 mm	11 mm	Metric
DAJC1128F-0202IN	5/16"-24	1/8"-27	1.57	22.60	9/16"	7/16"	Imperial
DAJC1128F-0204IN	5/16"-24	1/4"-18	1.57	30.50	3/4"	7/16"	Imperial
DAJC1128F-0402	7/16"-20	1/8"-27	4.37	23.40	14 mm	14 mm	Metric
DAJC1128F-0404	7/16"-20	1/4"-18	4.37	29.70	19 mm	14 mm	Metric
DAJC1128F-0406	7/16"-20	3/8"-18	4.37	31.50	22 mm	14 mm	Metric
DAJC1128F-0402IN	7/16"-20	1/8"-27	4.37	23.40	9/16"	9/16"	Imperial
DAJC1128F-0404IN	7/16"-20	1/4"-18	4.37	29.70	3/4"	9/16"	Imperial
DAJC1128F-0406IN	7/16"-20	3/8"-18	4.37	31.50	7/8"	9/16"	Imperial
DAJC1128F-0504	1/2"-20	1/4"-18	5.94	30.70	19 mm	17 mm	Metric
DAJC1128F-0504IN	1/2"-20	1/4"-18	5.94	30.70	3/4"	5/8"	Imperial
DAJC1128F-0602	9/16"-18	1/8"-27	7.54	25.50	14 mm	17 mm	Metric
DAJC1128F-0604	9/16"-18	1/4"-18	7.54	31.88	19 mm	17 mm	Metric
DAJC1128F-0606	9/16"-18	3/8"-18	7.54	33.27	22 mm	17 mm	Metric
DAJC1128F-0608	9/16"-18	1/2"-14	7.54	37.34	27 mm	17 mm	Metric
DAJC1128F-0602IN	9/16"-18	1/8"-27	7.54	25.50	9/16"	11/16"	Imperial
DAJC1128F-0604IN	9/16"-18	1/4"-18	7.54	31.88	3/4"	11/16"	Imperial
DAJC1128F-0606IN	9/16"-18	3/8"-18	7.54	33.27	7/8"	11/16"	Imperial
DAJC1128F-0608IN	9/16"-18	1/2"-14	7.54	37.34	1-1/8"	11/16"	Imperial
DAJC1128F-0708	5/8"-18	1/2"-14	7.14	37.20	27 mm	19 mm	Metric
DAJC1128F-0708IN	5/8"-18	1/2"-14	7.14	37.20	1-1/8"	3/4"	Imperial
DAJC1128F-0806	3/4"-16	3/8"-18	9.93	34.54	22 mm	22 mm	Metric
DAJC1128F-0808	3/4"-16	1/2"-14	9.93	37.60	27 mm	22 mm	Metric
DAJC1128F-0812	3/4"-16	3/4"-14	9.93	41.80	36 mm	22 mm	Metric
DAJC1128F-0806IN	3/4"-16	3/8"-18	9.93	34.54	7/8"	7/8"	Imperial
DAJC1128F-0808IN	3/4"-16	1/2"-14	9.93	37.60	1-1/8"	7/8"	Imperial
DAJC1128F-0812IN	3/4"-16	3/4"-14	9.93	41.80	1-3/8"	7/8"	Imperial
DAJC1128F-1006	7/8"-14	3/8"-18	12.29	35.50	22 mm	27 mm	Metric
DAJC1128F-1008	7/8"-14	1/2"-14	12.29	41.15	27 mm	27 mm	Metric
DAJC1128F-1012	7/8"-14	3/4"-14	12.29	42.60	36 mm	27 mm	Metric
DAJC1128F-1006IN	7/8"-14	3/8"-18	12.29	35.50	7/8"	1"	Imperial
DAJC1128F-1008IN	7/8"-14	1/2"-14	12.29	41.15	1-1/8"	1"	Imperial
DAJC1128F-1012IN	7/8"-14	3/4"-14	12.29	42.60	1-3/8"	1"	Imperial
DAJC1128F-1208	1-1/16"-12	1/2"-14	15.47	42.16	27 mm	32 mm	Metric
DAJC1128F-1212	1-1/16"-12	3/4"-14	15.47	43.70	36 mm	32 mm	Metric
DAJC1128F-1208IN	1-1/16"-12	1/2"-14	15.47	42.16	1-1/8"	1-1/4"	Imperial
DAJC1128F-1212IN	1-1/16"-12	3/4"-14	15.47	43.70	1-3/8"	1-1/4"	Imperial
DAJC1128F-1412	1-3/16"-12	3/4"-14	18.26	44.50	36 mm	36 mm	Metric
DAJC1128F-1412IN	1-3/16"-12	3/4"-14	18.26	44.50	1-3/8"	1-3/8"	Imperial
DAJC1128F-1612	1-5/16"-12	3/4"-14	21.44	40.90	36 mm	41 mm	Metric
DAJC1128F-1616	1-5/16"-12	1-11-1/2"	21.44	51.30	41 mm	41 mm	Metric
DAJC1128F-1612IN	1-5/16"-12	3/4"-14	21.44	40.90	1-3/8"	1-1/2"	Imperial
DAJC1128F-1616IN	1-5/16"-12	1-11-1/2"	21.44	51.30	1-5/8"	1-1/2"	Imperial
DAJC1128F-2020	1-5/8"-12	1-1/4"-11-1/2"	27.42	55.90	50 mm	50 mm	Metric
DAJC1128F-2020IN	1-5/8"-12	1-1/4"-11-1/2"	27.42	55.90	2"	2"	Imperial
DAJC1128F-2424	1-7/8"-12	1-1/2"-11-1/2"	33.32	57.60	70 mm	32 mm	Metric
DAJC1128F-2424IN	1-7/8"-12	1-1/2"-11-1/2"	33.32	57.60	2-3/8"	2-1/4"	Imperial
DAJC1128F-3232	2-1/2"-12	2"-11-1/2"	45.24	57.27	73 mm	73 mm	Metric
DAJC1128F-3232IN	2-1/2"-12	2"-11-1/2"	45.24	57.27	2-7/8"	2-7/8"	Imperial



# DAJC1105F

Straight Connector JIC Swivel Female – BSPP Fixed Female

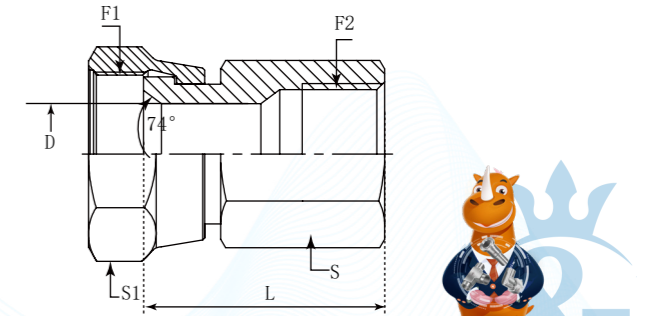
<b>D</b>	<b>A</b>	<b>JC</b>	<b>1</b>	<b>1</b>	<b>52</b>	<b>5</b>
Company	Product Range	Thread Types	Connection Type	Adaptor Structure	Thread Types	Connection Type
<b>DME</b>	Adaptor	JIC UNF	Swivel Female	Straight	BSPP	Female

German Technology Equipment

**SHIELD FLEX**

New-Standard

- DME&JDE Code: **DAJC1105F**
- Product Type: **Hydraulic adaptor**
- Standard: **JIC and SAE-ORB**
- Structure: **Straight**
- Connection Type: **Swivel Female x Fixed Male**
- Thread Types: **UNF x BSPP**



PART NUMBER	F1 (Thread)	F2 (Thread)	D	L	S	S1
#	UNF	BSPP	mm	mm	mm	mm
DAJC1105F-0404	7/16"-20	1/4"-19	4.37	27.50	19.00	17.00
DAJC1105F-0504	1/2"-20	1/4"-19	5.94	28.00	19.00	17.00
DAJC1105F-0604	9/16"-18	1/4"-19	7.54	28.50	19.00	19.00
DAJC1105F-0606	9/16"-18	3/8"-19	7.54	32.00	22.00	19.00
DAJC1105F-0804	3/4"-16	1/4"-19	9.93	31.00	22.00	24.00
DAJC1105F-0808	3/4"-16	1/2"-14	9.93	36.50	27.00	22.00
DAJC1105F-1008	7/8"-14	1/2"-14	12.29	36.00	27.00	27.00
DAJC1105F-1212	1-1/16"-12	3/4"-14	15.47	40.00	32.00	32.00
DAJC1105F-1616	1-5/16"-12	1"-11	21.44	43.50	41.00	41.00





## DAJCF105F

Straight Coupling JIC Fixed Female – BSPP Fixed Female

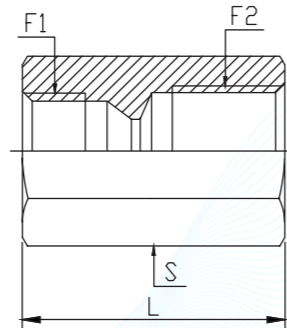
<b>D</b>	<b>A</b>	<b>JC</b>	<b>F</b>	<b>1</b>	<b>05</b>	<b>F</b>
Company	Product Range	Thread Types	Connection Type	Adaptor Structure	Thread Types	Connection Type
<b>DME</b>	Adaptor	JIC UNF	Fixed Female	Straight	BSPP	Fixed Female

German Technology Equipment

**SHIELD FLEX**

New-Standard

- DME&JDE Code: **DAJCF105F**
- Product Type: **Hydraulic adaptor**
- Standard: **JIC and SAE-ORB**
- Structure: **Straight**
- Connection Type: **Fixed Female x Fixed Female**
- Thread Types: **UNF x BSPP**



PART NUMBER	F1 (Thread)	F2 (Thread)	L	S
#	UNF	BSPP	mm	mm
DAJCF105F-0404	7/16"-20	1/4"-19	29.00	19.00
DAJCF105F-0604	9/16"-18	1/4"-19	29.00	19.00
DAJCF105F-0804	3/4"-16	1/4"-19	32.00	22.00
DAJCF105F-1004	7/8"-14	1/4"-19	32.00	27.00
DAJCF105F-1204	1-1/16"-12	1/4"-19	38.00	32.00
DAJCF105F-1604	1-5/16"-12	1/4"-19	40.00	41.00

## DAJC1100B

Straight Connector JIC Female Swivel – Imperial/Metric Tube

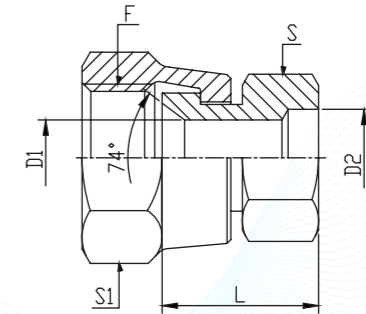
<b>D</b>	<b>A</b>	<b>JC</b>	<b>1</b>	<b>1</b>	<b>00</b>	<b>B</b>
Company	Product Range	Thread Types	Connection Type	Adaptor Structure	Sealing Type	Welding Type
<b>DME</b>	Adaptor	JIC UNF	Female Swivel	Straight	Welding	Socket

German Technology Equipment

**SHIELD FLEX**

New-Standard

- DME&JDE Code: **DAJC1100B**
- Product Type: **Hydraulic adaptor**
- Standard: **JIC and SAE-ORB**
- Structure: **Straight**
- Connection Type: **Swivel Female**
- Thread Types: **UNF**
- Sealing Method: **Welding**



PART NUMBER	F1 (Thread)	D1	D2	L	S	S1	Hex
#	UNF	mm	mm	mm	-	-	-
DAJC1100B-0406	7/16"-20	4.37	6.25	17	12 mm	17 mm	Metric
DAJC1100B-0406IN	7/16"-20	4.37	6.25	17	1/2"	5/8"	Imperial
DAJC1100B-0510	1/2"-20	5.94	9.6	18.00	14 mm	17 mm	Metric
DAJC1100B-0510IN	1/2"-20	5.94	10.00	18.00	9/16"	5/8"	Imperial
DAJC1100B-0610	9/16"-18	7.54	9.6	18.50	14 mm	19 mm	Metric
DAJC1100B-0612	9/16"-18	7.54	12.7	19.50	17 mm	19 mm	Metric
DAJC1100B-0610IN	9/16"-18	7.54	10.00	18.50	9/16"	13/16"	Imperial
DAJC1100B-0612IN	9/16"-18	7.54	12.00	19.50	5/8"	13/16"	Imperial
DAJC1100B-0810	3/4"-16	7.54	9.6	21.00	19 mm	22 mm	Metric
DAJC1100B-0812	3/4"-16	9.93	12.7	20.50	19 mm	24 mm	Imperial
DAJC1100B-0816	3/4"-16	9.93	16	21.00	22 mm	24 mm	Imperial
DAJC1100B-0818	3/4"-16	9.93	18	21.00	24 mm	24 mm	Imperial
DAJC1100B-0810IN	3/4"-16	7.54	9.60	21.00	13/16"	13/16"	Imperial
DAJC1100B-0816IN	3/4"-16	9.93	16.00	21.00	13/16"	15/16"	Imperial
DAJC1100B-0818IN	3/4"-16	9.93	18.00	21.00	1"	15/16"	Imperial
DAJC1100B-1012	7/8"-14	9.93	12.7	22.50	22 mm	27 mm	Metric
DAJC1100B-1016	7/8"-14	12.29	16	22.00	22 mm	27 mm	Metric
DAJC1100B-1018	7/8"-14	12.29	18	22.00	24 mm	27 mm	Metric
DAJC1100B-1022	7/8"-14	12.29	22	22.00	27 mm	27 mm	Metric
DAJC1100B-1012IN	7/8"-14	9.93	12.70	22.50	13/16"	1"	Imperial
DAJC1100B-1016IN	7/8"-14	12.29	16.00	22.00	13/16"	1"	Imperial
DAJC1100B-1018IN	7/8"-14	12.29	18.00	22.00	15/16"	1"	Imperial
DAJC1100B-1022IN	7/8"-14	12.29	22.00	22.00	1"	1"	Imperial
DAJC1100B-1218	1-1/16"-12	15.47	18	28.50	27 mm	32 mm	Metric
DAJC1100B-1220	1-1/16"-12	15.47	19	28.50	27 mm	32 mm	Metric
DAJC1100B-1225	1-1/16"-12	15.47	25.4	29.50	32 mm	32 mm	Metric
DAJC1100B-1218IN	1-1/16"-12	15.47	18.00	28.50	1"	1-1/4"	Imperial
DAJC1100B-1220IN	1-1/16"-12	15.47	20.00	28.50	1"	1-1/4"	Imperial
DAJC1100B-1225IN	1-1/16"-12	15.47	25.00	29.50	1-1/4"	1-1/4"	Imperial
DAJC1100B-1625	1-5/16"-12	21.44	25.4	29.50	32 mm	41 mm	Metric
DAJC1100B-1627	1-5/16"-12	21.44	27	29.50	32 mm	41 mm	Metric
DAJC1100B-1632	1-5/16"-12	21.44	31.8	33.00	41 mm	41 mm	Metric
DAJC1100B-1625IN	1-5/16"-12	21.44	25.00	29.50	1-1/4"	1-1/2"	Imperial
DAJC1100B-1627IN	1-5/16"-12	21.44	27.00	29.50	1-1/4"	1-1/2"	Imperial
DAJC1100B-1632IN	1-5/16"-12	21.44	32.00	33.00	1-1/2"	1-1/2"	Imperial
DAJC1100B-2032	1-5/8"-12	27.38	31.8	33.00	41 mm	50 mm	Metric
DAJC1100B-2038	1-5/8"-12	27.38	38.1	35.50	46 mm	50 mm	Metric
DAJC1100B-2032IN	1-5/8"-12	27.38	32.00	33.00	1-1/2"	1-7/8"	Imperial
DAJC1100B-2038IN	1-5/8"-12	27.38	38.00	35.50	1-11/16"	1-7/8"	Imperial
DAJC1100B-2438	1-7/8"-12	33.32	38.1	35.50	50 mm	55 mm	Metric
DAJC1100B-2438IN	1-7/8"-12	33.32	38.00	35.50	1-7/8"	2-1/8"	Imperial



# DAJCM1000

Male Plug JIC

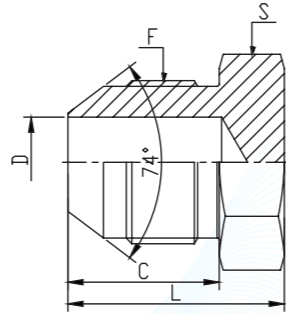
<b>D</b>	<b>A</b>	<b>JC</b>	<b>M</b>	<b>1</b>	<b>000</b>
Company	Product Range	Thread Types	Connection Type	Adaptor Structure	Other Features
<b>DME</b>	Adaptor	JIC UNF	Male	Straight	Nut/Plug

German Technology Equipment

**SHIELD FLEX**

New-Standard

- DME&JDE Code: **DAJCM1000**
- Product Type: **Hydraulic adaptor**
- Standard: **JIC and SAE-ORB**
- Structure: **Straight**
- Connection Type: **Male**
- Thread Types: **UNF**
- Other Features: **Socket Welding**



PART NUMBER	F1 (Thread)	C	D	L	S	Hex
#	UNF	mm	mm	mm	-	-
DAJCM1000-0200	5/16"-24	11.38	1.57	17.80	11 mm	Metric
DAJCM1000-0200IN	5/16"-24	11.38	1.57	17.80	7/16"	Imperial
DAJCM1000-0300	3/8"-24	12.17	3.18	12.17	11 mm	Metric
DAJCM1000-0300IN	3/8"-24	12.17	3.18	12.17	7/16"	Imperial
DAJCM1000-0400	7/16"-20	13.97	4.37	20.30	12 mm	Metric
DAJCM1000-0400IN	7/16"-20	13.97	4.37	20.30	1/2"	Imperial
DAJCM1000-0500	1/2"-20	13.97	5.94	20.30	14 mm	Metric
DAJCM1000-0500IN	1/2"-20	13.97	5.94	20.30	9/16"	Imperial
DAJCM1000-0600	9/16"-18	14.12	7.54	21.34	17 mm	Metric
DAJCM1000-0600IN	9/16"-18	14.12	7.54	21.34	5/8"	Imperial
DAJCM1000-0700	5/8"-18	15.70	7.14	22.50	17 mm	Metric
DAJCM1000-0700IN	5/8"-18	15.70	7.14	22.50	11/16"	Imperial
DAJCM1000-0800	3/4"-16	16.69	9.93	23.90	19 mm	Metric
DAJCM1000-0800IN	3/4"-16	16.69	9.93	23.90	13/16"	Imperial
DAJCM1000-1000	7/8"-14	19.25	12.29	27.90	24 mm	Metric
DAJCM1000-1000IN	7/8"-14	19.25	12.29	27.90	15/16"	Imperial
DAJCM1000-1200	1-1/16"-12	21.95	15.47	32.50	27 mm	Metric
DAJCM1000-1200IN	1-1/16"-12	21.95	15.47	32.50	1-1/8"	Imperial
DAJCM1000-1400	1-3/16"-12	23.00	18.00	33.30	32 mm	Metric
DAJCM1000-1400IN	1-3/16"-12	23.00	18.00	33.30	1-1/4"	Imperial
DAJCM1000-1600	1-5/16"-12	23.14	21.44	33.80	36 mm	Metric
DAJCM1000-1600IN	1-5/16"-12	23.14	21.44	33.80	1-3/8"	Imperial
DAJCM1000-2000	1-5/8"-12	24.33	27.40	36.80	46 mm	Metric
DAJCM1000-2000IN	1-5/8"-12	24.33	27.40	36.80	1-11/16"	Imperial
DAJCM1000-2400	1-7/8"-12	27.51	33.30	41.90	50 mm	Metric
DAJCM1000-2400IN	1-7/8"-12	27.51	33.30	41.90	2"	Imperial
DAJCM1000-3200	2-1/2"-12	33.86	45.24	52.10	65 mm	Metric
DAJCM1000-3200IN	2-1/2"-12	33.86	45.24	52.10	2-5/8"	Imperial

# DAJCM100B

Straight Bonding(Socket Welding) Connector JIC Male – Imperial/Metric Tube

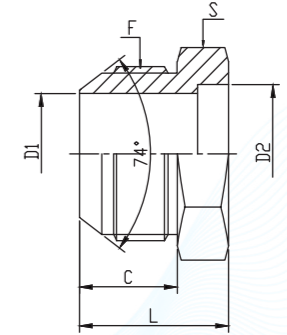
<b>D</b>	<b>A</b>	<b>JC</b>	<b>M</b>	<b>1</b>	<b>00</b>	<b>B</b>
Company	Product Range	Thread Types	Connection Type	Adaptor Structure	Sealing Type	Welding Type
<b>DME</b>	Adaptor	JIC UNF	Male	Straight	Welding	Socket

German Technology Equipment

**SHIELD FLEX**

New-Standard

- DME&JDE Code: **DAJCM100B**
- Product Type: **Hydraulic adaptor**
- Standard: **JIC and SAE-ORB**
- Structure: **Straight**
- Connection Type: **Male x Metric**
- Thread Types: **UNF**
- Other Features: **Nut/Plug**



PART NUMBER	F (Thread)	C	D1	D2	L	S	Hex
#	UNF	mm	mm	mm	mm	mm	-
DAJCM100B-0406	7/16"-20	13.97	4.37	6.25	20.32	12 mm	Metric
DAJCM100B-0406IN	7/16"-20	13.97	4.37	6.45	20.32	12.70"	Imperial
DAJCM100B-0410	7/16"-20	13.97	4.37	9.60	20.30	14 mm	Metric
DAJCM100B-0410IN	7/16"-20	13.97	4.37	9.68	20.30	14.00"	Imperial
DAJCM100B-0508	1/2"-20	13.97	5.94	8.10	20.32	14 mm	Metric
DAJCM100B-0508IN	1/2"-20	13.97	5.94	8.10	20.32	14.27"	Imperial
DAJCM100B-0510	1/2"-20	13.97	5.94	9.60	21.34	17 mm	Metric
DAJCM100B-0510IN	1/2"-20	13.97	5.94	9.68	21.34	15.88"	Imperial
DAJCM100B-0610	9/16"-18	14.12	7.54	9.60	21.34	17 mm	Metric
DAJCM100B-0610IN	9/16"-18	14.12	7.54	9.63	21.34	15.88"	Imperial
DAJCM100B-0612	9/16"-18	14.12	7.54	12.10	21.50	17 mm	Metric
DAJCM100B-0612IN	9/16"-18	14.12	7.54	12.85	21.50	17.00"	Imperial
DAJCM100B-0810	3/4"-16	16.69	7.54	9.60	23.88	22 mm	Metric
DAJCM100B-0810IN	3/4"-16	16.69	7.54	9.63	23.88	20.64"	Imperial
DAJCM100B-0812	3/4"-16	16.69	9.93	12.10	23.88	22 mm	Metric
DAJCM100B-0812IN	3/4"-16	16.69	9.93	12.80	23.88	20.64"	Imperial
DAJCM100B-0816	3/4"-16	16.69	9.93	16.15	23.90	22 mm	Metric
DAJCM100B-0816IN	3/4"-16	16.69	9.93	16.03	23.90	20.64"	Imperial
DAJCM100B-0812IN	3/4"-16	16.69	9.93	12.80	23.88	13/16"	Imperial
DAJCM100B-0816IN	3/4"-16	16.69	9.93	16.03	23.90	13/16"	Imperial
DAJCM100B-0818	3/4"-16	16.69	9.93	18.00	24.50	24 mm	Metric



DAJCM100B-0820	3/4"-16	16.69	9.93	20	24.89	24 mm	Metric
DAJCM100B-0820IN	3/4"-16	16.69	9.93	19.20	24.89	23.81"	Imperial
DAJCM100B-1012	7/8"-14	19.25	9.93	12.10	27.90	24 mm	Metric
DAJCM100B-1012IN	7/8"-14	19.25	9.93	12.80	27.90	23.80"	Imperial
DAJCM100B-1016	7/8"-14	19.25	12.29	16.15	28.00	24 mm	Metric
DAJCM100B-1016IN	7/8"-14	19.25	12.29	16.00	28.00	23.80"	Imperial
DAJCM100B-1018	7/8"-14	19.25	12.29	18.00	28.00	24 mm	Metric
DAJCM100B-1020	7/8"-14	19.25	12.29	20.00	27.94	24 mm	Metric
DAJCM100B-1020IN	7/8"-14	19.25	12.29	19.20	27.94	23.81"	Imperial
DAJCM100B-1022	7/8"-14	19.25	12.29	22.00	33.00	27 mm	Metric
DAJCM100B-1216	1-1/16"-12	21.95	12.29	16.15	32.50	27 mm	Metric
DAJCM100B-1216IN	1-1/16"-12	21.95	12.29	16.03	32.50	28.60"	Imperial
DAJCM100B-1218	1-1/16"-12	21.95	12.29	18.00	33.00	27 mm	Metric
DAJCM100B-1220	1-1/16"-12	21.95	15.47	20.00	33.00	27 mm	Metric
DAJCM100B-1220IN	1-1/16"-12	21.95	15.47	19.20	33.00	28.58"	Imperial
DAJCM100B-1225	1-1/16"-12	21.95	15.47	25.13	32.51	32 mm	Metric
DAJCM100B-1225IN	1-1/16"-12	21.95	15.47	25.55	32.51	31.75"	Imperial
DAJCM100B-1625	1-5/16"-12	23.14	21.44	25.13	33.50	36 mm	Metric
DAJCM100B-1625IN	1-5/16"-12	23.14	21.44	25.58	33.50	34.93"	Imperial
DAJCM100B-1627	1-5/16"-12	23.14	21.44	27.00	35.00	36 mm	Metric
DAJCM100B-1632	1-5/16"-12	23.14	21.44	32.05	43.94	46 mm	Metric
DAJCM100B-1632IN	1-5/16"-12	23.14	21.44	31.93	43.94	42.88"	Imperial
DAJCM100B-2025	1-5/8"-12	24.33	21.44	25.13	36.83	46 mm	Metric
DAJCM100B-2025IN	1-5/8"-12	24.33	21.44	25.58	36.83	42.86"	Imperial
DAJCM100B-2032	1-5/8"-12	24.33	27.38	32.05	36.83	46 mm	Metric
DAJCM100B-2032IN	1-5/8"-12	24.33	27.38	31.90	36.83	42.86"	Imperial
DAJCM100B-2038	1-5/8"-12	24.33	27.38	38.00	43.40	50 mm	Metric
DAJCM100B-2038IN	1-5/8"-12	24.33	27.38	38.25	43.40	50.00"	Imperial
DAJCM100B-2432	1-7/8"-12	27.51	27.38	32.05	41.90	50 mm	Metric
DAJCM100B-2432IN	1-7/8"-12	27.51	27.38	31.90	41.90	50.80"	Imperial
DAJCM100B-2438	1-7/8"-12	27.51	33.32	38.00	46.74	50 mm	Metric
DAJCM100B-2438IN	1-7/8"-12	27.51	33.32	38.28	46.74	50.80"	Imperial
DAJCM100B-3250	2-1/2"-12	33.86	45.24	50.00	52.07	65 mm	Metric
DAJCM100B-3250IN	2-1/2"-12	33.86	45.24	50.95	52.07	66.68"	Imperial

## DAJC31000

### JIC Female Cap

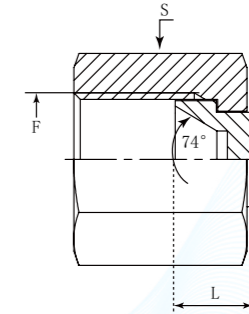
<b>D</b>	<b>A</b>	<b>JC</b>	<b>3</b>	<b>1</b>	<b>000</b>
Company	Product Range	Thread Types	Adaptor Structure	Adaptor Structure	Other Features
<b>DME</b>	Adaptor	JIC UNF	Slip-on Female	Straight	Nut/Plug

- DME&JDE Code:** DAJC31000
- Product Type:** Hydraulic adaptor
- Standard:** JIC and SAE-ORB
- Structure:** Straight
- Connection Type:** Slip-on Female
- Thread Types:** UNF
- Other Features:** Nut/Plug

German Technology Equipment

SHIELD FLEX

New-Standard



PART NUMBER	F1 (Thread)	L	S
#	UNF	mm	mm
DAJC31000-0400	7/16"-20	8.70	14.00
DAJC31000-0500	1/2"-20	10.30	17.00
DAJC31000-0600	9/16"-18	11.90	19.00
DAJC31000-0700	5/8"-18	11.00	22.00
DAJC31000-0800	3/4"-16	13.50	22.00
DAJC31000-1000	7/8"-14	13.50	27.00
DAJC31000-1200	1-1/16"-12	16.70	32.00
DAJC31000-1400	1-3/16"-12	15.90	36.00
DAJC31000-1600	1-5/16"-12	15.90	41.00
DAJC31000-2000	1-5/8"-12	19.10	50.00
DAJC31000-2400	1-7/8"-12	23.80	60.00
DAJC31000-3200	2-1/2"-12	30.10	73.00



# DAJC31000-C

JIC Female Cap

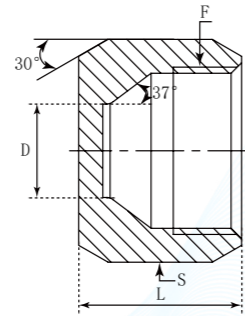
<b>D</b>	<b>A</b>	<b>JC</b>	<b>3</b>	<b>1</b>	<b>000</b>	<b>C</b>
Company	Product Range	Thread Types	Adaptor Structure	Adaptor Structure	Adaptor Structure	Plug Type
<b>DME</b>	Adaptor	JIC UNF	Slip-on Female	Straight	Nut/Plug	Cap

German Technology Equipment

**SHIELD FLEX**

New-Standard

- DME&JDE Code:** DAJC31000-C
- Product Type:** Hydraulic adaptor
- Standard:** JIC and SAE-ORB
- Structure:** Straight
- Connection Type:** Female
- Thread Types:** UNF
- Other Features:** Nut/Plug



PART NUMBER	F1 (Thread)	D	L	S
#	UNF	mm	mm	mm
DAJC31000-C-02	5/16"-24	1.57	12.70	9.53
DAJC31000-C-03	3/8"-24	3.18	14.30	11.11
DAJC31000-C-04	7/16"-20	4.37	15.30	14.27
DAJC31000-C-05	1/2"-20	5.94	15.47	15.87
DAJC31000-C-06	9/16"-18	7.54	15.88	17.46
DAJC31000-C-08	3/4"-16	9.93	19.00	22.23
DAJC31000-C-10	7/8"-14	12.29	21.44	25.40
DAJC31000-C-12	1-1/16"-12	15.47	23.00	31.75
DAJC31000-C-14	1-3/16"-12	18.26	24.60	34.93
DAJC31000-C-16	1-5/16"-12	21.44	25.81	38.10
DAJC31000-C-20	1-5/8"-12	27.38	26.97	50.80
DAJC31000-C-24	1-7/8"-12	33.32	30.18	57.15
DAJC31000-C-32	2-1/2"-12	45.24	36.53	73.03

Web: <https://www.dmejde.com>  
E-mail: [info@dmejde.com](mailto:info@dmejde.com)



Certificate:

# DAJCM130J

Straight Long Connector JIC Male – SAE Male + O Ring

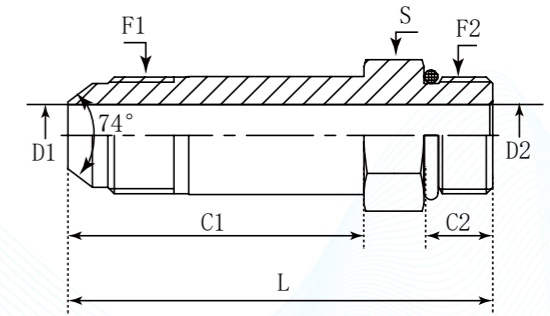
<b>D</b>	<b>A</b>	<b>JC</b>	<b>M</b>	<b>1</b>	<b>30</b>	<b>J</b>
Company	Product Range	Thread Types	Connection Type	Adaptor Structure	Thread Types	Connection Type
<b>DME</b>	Adaptor	JIC UNF	Male	Straight	SAE UNF	Male + O Ring

German Technology Equipment

**SHIELD FLEX**

New-Standard

- DME&JDE Code:** DAJCM130J
- Product Type:** Hydraulic adaptor
- Standard:** JIC and SAE-ORB
- Structure:** Straight
- Connection Type:** Male x Male
- Thread Types:** UNF x UNF
- Sealing Method:** O Ring



PART NUMBER	F1 (Thread)	F2 (Thread)	C1	C2	D1	D2	L	S	Hex
#	UNF	UNF	mm	mm	mm	mm	mm	-	-
DAJCM130J-0404	7/16"-20	7/16"-20	35.30	9.14	4.37	4.37	52.80	14 mm	Metric
DAJCM130J-0405	7/16"-20	1/2"-20	35.30	9.14	4.37	5.94	52.90	17 mm	Metric
DAJCM130J-0406	7/16"-20	9/16"-18	35.30	9.93	4.37	7.54	54.40	17 mm	Metric
DAJCM130J-0404IN	7/16"-20	7/16"-20	35.30	9.14	4.37	4.37	52.80	9/16"	Imperial
DAJCM130J-0405IN	7/16"-20	1/2"-20	35.30	9.14	4.37	5.94	52.90	5/8"	Imperial
DAJCM130J-0406IN	7/16"-20	9/16"-18	35.30	9.93	4.37	7.54	54.40	11/16"	Imperial
DAJCM130J-0505	1/2"-20	1/2"-20	36.80	9.14	5.94	5.94	54.40	17 mm	Metric
DAJCM130J-0505IN	1/2"-20	1/2"-20	36.80	9.14	5.94	5.94	54.40	5/8"	Imperial
DAJCM130J-0606	9/16"-18	9/16"-18	39.62	9.93	7.54	7.54	58.50	17 mm	Metric
DAJCM130J-0608	9/16"-18	3/4"-16	39.62	11.13	7.54	9.93	60.40	22 mm	Metric
DAJCM130J-0606IN	9/16"-18	9/16"-18	39.62	9.93	7.54	7.54	58.50	11/16"	Imperial
DAJCM130J-0608IN	9/16"-18	3/4"-16	39.62	11.13	7.54	9.93	60.40	7/8"	Imperial
DAJCM130J-0806	3/4"-16	9/16"-18	47.80	9.93	9.93	7.54	67.70	22 mm	Metric
DAJCM130J-0808	3/4"-16	3/4"-16	47.80	11.13	9.93	9.93	68.60	22 mm	Metric
DAJCM130J-0810	3/4"-16	7/8"-14	51.82	12.70	9.93	12.29	74.70	27 mm	Metric
DAJCM130J-0812	3/4"-16	1-1/16"-12	51.82	15.09	9.93	15.47	80.00	32 mm	Metric
DAJCM130J-0806IN	3/4"-16	9/16"-18	47.80	9.93	9.93	7.54	67.70	13/16"	Imperial

Web: <https://www.dmejde.com>  
E-mail: [info@dmejde.com](mailto:info@dmejde.com)



Certificate:

DAJCM130J-0808IN	3/4"-16	3/4"-16	47.80	11.13	9.93	9.93	68.60	7/8"	Imperial
DAJCM130J-0810IN	3/4"-16	7/8"-14	51.82	12.70	9.93	12.29	74.70	1"	Imperial
DAJCM130J-0812IN	3/4"-16	1-1/16"-12	51.82	15.09	9.93	15.47	80.00	1-1/4"	Imperial
DAJCM130J-1010	7/8"-14	7/8"-14	53.10	12.70	12.29	12.29	77.20	27 mm	Metric
DAJCM130J-1012	7/8"-14	1-1/16"-12	53.10	15.09	12.29	15.47	81.30	32 mm	Metric
DAJCM130J-1010IN	7/8"-14	7/8"-14	53.10	12.70	12.29	12.29	77.20	1"	Imperial
DAJCM130J-1012IN	7/8"-14	1-1/16"-12	53.10	15.09	12.29	15.47	81.30	1-1/4"	Imperial
DAJCM130J-1208	1-1/16"-12	3/4"-16	63.50	11.13	15.47	9.93	87.89	27 mm	Metric
DAJCM130J-1210	1-1/16"-12	7/8"-14	63.50	12.70	15.47	12.29	89.40	27 mm	Metric
DAJCM130J-1212	1-1/16"-12	1-1/16"-12	63.50	15.09	15.47	15.47	91.70	32 mm	Metric
DAJCM130J-1216	1-1/16"-12	1-5/16"-12	63.50	15.09	15.47	21.44	91.70	41 mm	Metric
DAJCM130J-1208IN	1-1/16"-12	3/4"-16	63.50	11.13	15.47	9.93	87.89	1-1/8"	Imperial
DAJCM130J-1210IN	1-1/16"-12	7/8"-14	63.50	12.70	15.47	12.29	89.40	1-1/8"	Imperial
DAJCM130J-1212IN	1-1/16"-12	1-1/16"-12	63.50	15.09	15.47	15.47	91.70	1-1/4"	Imperial
DAJCM130J-1216IN	1-1/16"-12	1-5/16"-12	63.50	15.09	15.47	21.44	91.70	1-1/2"	Imperial
DAJCM130J-1414	1-3/16"-12	1-3/16"-12	68.30	15.09	18.26	18.26	96.50	36 mm	Metric
DAJCM130J-1414IN	1-3/16"-12	1-3/16"-12	68.30	15.09	18.26	18.26	96.50	1-3/8"	Imperial
DAJCM130J-1612	1-5/16"-12	1-1/16"-12	72.10	15.09	21.44	15.47	104.40	41 mm	Metric
DAJCM130J-1616	1-5/16"-12	1-5/16"-12	72.10	15.09	21.44	21.44	101.10	41 mm	Metric
DAJCM130J-1620	1-5/16"-12	1-5/8"-12	72.10	15.09	21.44	27.38	103.10	50 mm	Metric
DAJCM130J-1612IN	1-5/16"-12	1-1/16"-12	72.10	15.09	21.44	15.47	104.40	1-1/2"	Imperial
DAJCM130J-1616IN	1-5/16"-12	1-5/16"-12	72.10	15.09	21.44	21.44	101.10	1-1/2"	Imperial
DAJCM130J-1620IN	1-5/16"-12	1-5/8"-12	72.10	15.09	21.44	27.38	103.10	1-7/8"	Imperial
DAJCM130J-2016	1-5/8"-12	1-5/16"-12	88.10	15.09	27.38	21.44	120.00	50 mm	Metric
DAJCM130J-2020	1-5/8"-12	1-5/8"-12	88.10	15.09	27.38	27.38	119.10	50 mm	Metric
DAJCM130J-2016IN	1-5/8"-12	1-5/16"-12	88.10	15.09	27.38	21.44	120.00	1-7/8"	Imperial
DAJCM130J-2020IN	1-5/8"-12	1-5/8"-12	88.10	15.09	27.38	27.38	119.10	1-7/8"	Imperial
DAJCM130J-2424	1-7/8"-12	1-7/8"-12	98.60	15.09	33.32	33.32	131.30	55 mm	Metric
DAJCM130J-2424IN	1-7/8"-12	1-7/8"-12	98.60	15.09	33.32	33.32	131.30	2-1/8"	Imperial

## DAJCM152Y

Long Connector JIC Male – Metric Male + Retaining Ring + O Ring

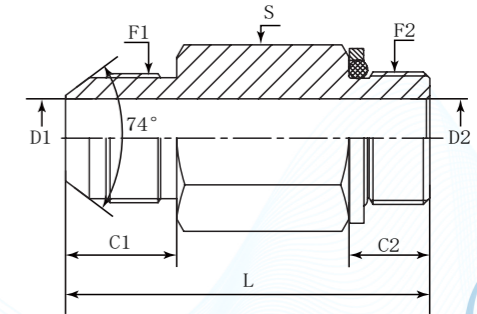
<b>D</b>	<b>A</b>	<b>JC</b>	<b>M</b>	<b>1</b>	<b>52</b>	<b>Y</b>
Company	Product Range	Thread Types	Connection Type	Adaptor Structure	Thread Types	Connection & Sealing Method
<b>DME</b>	Adaptor	JIC UNF	Male	Straight	Metric	Male + Long O Ring + Retaining Ring

German Technology Equipment

SHIELD FLEX

New-Standard

- DME&JDE Code:** DAJCM152Y
- Product Type:** Hydraulic adaptor
- Standard:** JIC and SAE-ORB
- Structure:** Straight
- Connection Type:** Male x Male
- Thread Types:** UNF x Metric
- Sealing Method:** O Ring



PART NUMBER	F1 (Thread)	F2 (Thread)	C1	C2	D1	D2	L	S
#	UNF	METRIC	mm	mm	mm	mm	mm	mm
DAJCM152Y-0410	7/16"-20	M10X1	35.00	8.50	4.37	4.37	51.00	14
DAJCM152Y-0510	1/2"-20	M10X1	37.00	8.50	5.94	4.50	53.00	17
DAJCM152Y-0512	1/2"-20	M12X1.5	37.00	11.00	5.94	6.00	55.50	17
DAJCM152Y-0514	1/2"-20	M14X1.5	37.00	11.00	5.94	7.50	56.50	19
DAJCM152Y-0614	9/16"-18	M14X1.5	39.00	11.00	7.54	7.54	58.50	19
DAJCM152Y-0616	9/16"-18	M16X1.5	39.00	11.50	7.54	9.00	60.00	22
DAJCM152Y-0816	3/4"-16	M16X1.5	48.00	11.50	9.00	9.00	69.00	22
DAJCM152Y-0818	3/4"-16	M18X1.5	48.00	12.50	9.93	11.00	70.50	24
DAJCM152Y-1018	7/8"-14	M18X1.5	53.00	12.50	12.29	11.00	75.50	24
DAJCM152Y-1020	7/8"-14	M20X1.5	53.00	12.50	12.29	12.00	76.00	27
DAJCM152Y-1022	7/8"-14	M22X1.5	53.00	13.00	12.29	14.00	78.00	27
DAJCM152Y-1222	1-1/16"-12	M22X1.5	63.00	13.00	15.47	12.00	88.00	27
DAJCM152Y-1227	1-1/16"-12	M27X2	63.00	16.00	15.47	18.00	92.50	32
DAJCM152Y-1627	1-5/16"-12	M27X2	72.00	16.00	21.44	18.00	102.00	36
DAJCM152Y-1633	1-5/16"-12	M33X2	72.00	16.00	21.44	21.44	102.50	41
DAJCM152Y-2042	1-5/8"-12	M42X2	88.00	16.00	27.38	30.00	121.00	50
DAJCM152Y-2448	1-7/8"-12	M48X2	98.00	17.50	33.32	36.00	136.00	55

## DAJCM152J

Straight Long Connector JIC Male – Metric Male + O Ring

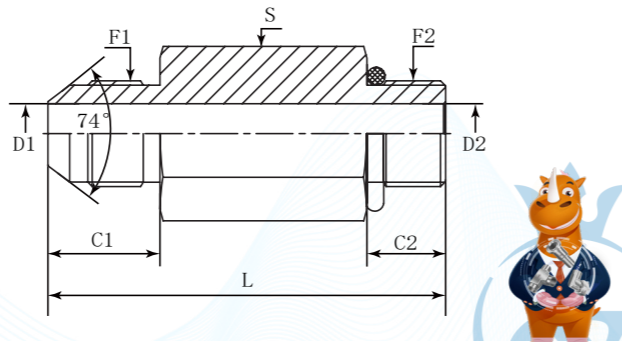
<b>D</b>	<b>A</b>	<b>JC</b>	<b>M</b>	<b>1</b>	<b>52</b>	<b>J</b>
Company	Product Range	Thread Types	Connection Type	Adaptor Structure	Thread Types	Connection & Sealing Method
<b>DME</b>	Adaptor	JIC UNF	Male	Straight	Metric	Male + O Ring Long Connection

German Technology Equipment

SHIELD FLEX

New-Standard

- DME&JDE Code:** DAJCM152J
- Product Type:** Hydraulic adaptor
- Standard:** JIC and SAE-ORB
- Structure:** Straight
- Connection Type:** Male x Male
- Thread Types:** UNF x Metric
- Sealing Method:** O Ring



PART NUMBER	F1 (Thread)	F2 (Thread)	C1	C2	D1	D2	L	S
#	UNF	METRIC	mm	mm	mm	mm	mm	mm
DAJCM152J-0410	7/16"-20	M10X1	35.00	8.50	4.37	4.37	51.00	14
DAJCM152J-0510	1/2"-20	M10X1	37.00	8.50	5.94	4.50	53.00	17
DAJCM152J-0512	1/2"-20	M12X1.5	37.00	11.00	5.94	6.00	55.50	17
DAJCM152J-0514	1/2"-20	M14X1.5	37.00	11.00	5.94	7.50	56.50	19
DAJCM152J-0614	9/16"-18	M14X1.5	39.00	11.00	7.54	7.54	58.50	19
DAJCM152J-0616	9/16"-18	M16X1.5	39.00	11.50	7.54	9.00	60.00	22
DAJCM152J-0816	3/4"-16	M16X1.5	48.00	11.50	9.00	9.00	69.00	22
DAJCM152J-0818	3/4"-16	M18X1.5	48.00	12.50	9.93	11.00	70.50	24
DAJCM152J-1018	7/8"-14	M18X1.5	53.00	12.50	12.29	11.00	75.50	24
DAJCM152J-1022	7/8"-14	M22X1.5	53.00	13.00	12.29	14.00	78.00	27
DAJCM152J-1222	1-1/16"-12	M22X1.5	63.00	13.00	15.47	12.00	88.00	27
DAJCM152J-1227	1-1/16"-12	M27X2	63.00	16.00	15.47	18.00	92.50	32
DAJCM152J-1627	1-5/16"-12	M27X2	72.00	16.00	21.44	18.00	102.00	36
DAJCM152J-1633	1-5/16"-12	M33X2	72.00	16.00	21.44	21.44	102.50	41
DAJCM152J-2042	1-5/8"-12	M42X2	88.00	16.00	27.38	30.00	121.00	50
DAJCM152J-2448	1-7/8"-12	M48X2	98.00	17.50	33.32	36.00	136.00	55

## DAJCM128P

Straight Long Connector JIC Male – NPTF Male 60°

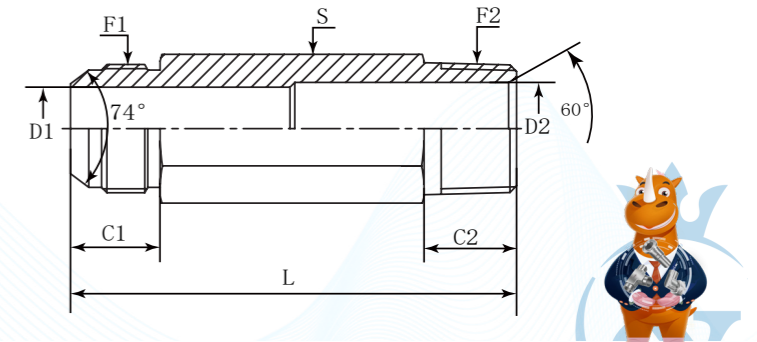
<b>D</b>	<b>A</b>	<b>JC</b>	<b>M</b>	<b>1</b>	<b>28</b>	<b>P</b>
Company	Product Range	Thread Types	Connection Type	Adaptor Structure	Thread Types	Connection Type
<b>DME</b>	Adaptor	JIC UNF	Male	Straight	NPTF	Male Long Connection

German Technology Equipment

SHIELD FLEX

New-Standard

- DME&JDE Code:** DAJCM128P
- Product Type:** Hydraulic adaptor
- Standard:** JIC and SAE-ORB
- Structure:** Straight
- Connection Type:** Male x Male
- Thread Types:** UNF x NPTF



PART NUMBER	F1 (Thread)	F2 (Thread)	C1	C2	D1	D2	L	S	Hex
#	UNF	NPTF	mm	mm	mm	mm	mm	-	-
DAJCM128P-0402	7/16"-20	1/8"-27	13.97	9.65	4.37	4.78	45.70	12 mm	Metric
DAJCM128P-0404	7/16"-20	1/4"-18	13.97	14.22	4.37	7.14	57.20	14 mm	Metric
DAJCM128P-0402IN	7/16"-20	1/8"-27	13.97	9.65	4.37	4.78	45.70	1/2"	Imperial
DAJCM128P-0404IN	7/16"-20	1/4"-18	13.97	14.22	4.37	7.14	57.20	9/16"	Imperial
DAJCM128P-0502	1/2"-20	1/8"-27	13.97	9.65	5.94	4.78	49.30	14 mm	Metric
DAJCM128P-0504	1/2"-20	1/4"-18	13.97	14.22	5.94	7.14	57.10	14 mm	Metric
DAJCM128P-0502IN	1/2"-20	1/8"-27	13.97	9.65	5.94	4.78	49.30	9/16"	Imperial
DAJCM128P-0504IN	1/2"-20	1/4"-18	13.97	14.22	5.94	7.14	57.10	9/16"	Imperial
DAJCM128P-0602	9/16"-18	1/8"-27	14.12	9.65	7.54	4.78	55.90	17 mm	Metric
DAJCM128P-0604	9/16"-18	1/4"-18	14.12	14.22	7.14	7.14	57.20	17 mm	Metric
DAJCM128P-0606	9/16"-18	3/8"-18	14.12	14.22	7.54	10.31	63.50	19 mm	Metric
DAJCM128P-0608	9/16"-18	1/2"-14	14.12	19.05	7.54	13.49	74.80	22 mm	Metric
DAJCM128P-0602IN	9/16"-18	1/8"-27	14.12	9.65	7.54	4.78	55.90	5/8"	Imperial
DAJCM128P-0604IN	9/16"-18	1/4"-18	14.12	14.22	7.14	7.14	57.20	5/8"	Imperial
DAJCM128P-0606IN	9/16"-18	3/8"-18	14.12	14.22	7.54	10.31	63.50	3/4"	Imperial
DAJCM128P-0608IN	9/16"-18	1/2"-14	14.12	19.05	7.54	13.49	74.80	7/8"	Imperial
DAJCM128P-0806	3/4"-16	3/8"-18	16.69	14.22	9.93	9.93	69.90	19 mm	Metric
DAJCM128P-0808	3/4"-16	1/2"-14	16.69	19.05	9.93	13.49	77.20	22 mm	Metric
DAJCM128P-0806IN	3/4"-16	3/8"-18	16.69	14.22	9.93	9.93	69.90	13/16"	Imperial
DAJCM128P-0808IN	3/4"-16	1/2"-14	16.69	19.05	9.93	13.49	77.20	7/8"	Imperial
DAJCM128P-1008	7/8"-14	1/2"-14	19.25	19.05	12.29	13.49	79.30	24 mm	Metric
DAJCM128P-1008IN	7/8"-14	1/2"-14	19.25	19.05	12.29	13.49	79.30	15/16"	Imperial
DAJCM128P-1208	1-1/16"-12	1/2"-14	21.95	19.05	15.47	13.49	88.90	27 mm	Metric
DAJCM128P-1212	1-1/16"-12	3/4"-14	21.95	19.05	15.47	18.26	88.90	27 mm	Metric
DAJCM128P-1208IN	1-1/16"-12	1/2"-14	21.95	19.05	15.47	13.49	88.90	1-1/8"	Imperial
DAJCM128P-1212IN	1-1/16"-12	3/4"-14	21.95	19.05	15.47	18.26	88.90	1-1/8"	Imperial
DAJCM128P-1612	1-5/16"-12	3/4"-14	23.14	19.05	21.44	18.26	96.80	36 mm	Metric
DAJCM128P-1616	1-5/16"-12	1"-11-1/2	23.14	23.88	21.44	23.83	101.60	36 mm	Metric
DAJCM128P-1612IN	1-5/16"-12	3/4"-14	23.14	19.05	21.44	18.26	96.80	1-3/8"	Imperial
DAJCM128P-1616IN	1-5/16"-12	1"-11-1/2	23.14	23.88	21.44	23.83	101.60	1-3/8"	Imperial
DAJCM128P-2020	1-5/8"-12	1-1/4"-11-1/2	24.33	24.64	27.38	31.75	114.30	46 mm	Metric
DAJCM128P-2020IN	1-5/8"-12	1-1/4"-11-1/2	24.33	24.64	27.38	31.75	114.30	1-11/16"	Imperial
DAJCM128P-2424	1-7/8"-12	1-1/2"-11-1/2	27.51	25.40	33.32	38.10	123.95	50 mm	Metric
DAJCM128P-2424IN	1-7/8"-12	1-1/2"-11-1/2	27.51	25.40	33.32	38.10	123.95	2"	Imperial
DAJCM128P-3232	2-1/2"-12	2"-11-1/2	33.86	26.16	45.24	49.23	142.80	65 mm	Metric
DAJCM128P-3232IN	2-1/2"-12	2"-11-1/2	33.86	26.16	45.24	49.23	142.80	2-5/8"	Imperial

Web: <https://www.dmejde.com>  
E-mail: [info@dmejde.com](mailto:info@dmejde.com)

Web: <https://www.dmejde.com>  
E-mail: [info@dmejde.com](mailto:info@dmejde.com)





## DAJCM128M-LL

Straight X-Long Connector JIC Male – NPTF Male 60°

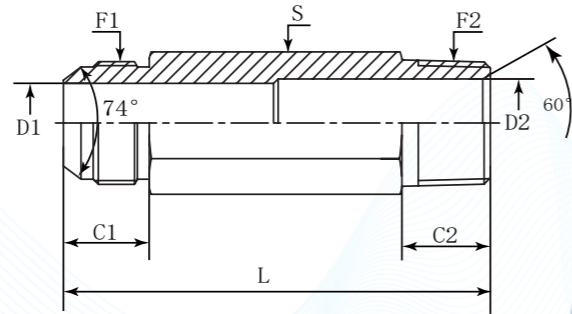
<b>D</b>	<b>A</b>	<b>JC</b>	<b>M</b>	<b>1</b>	<b>28</b>	<b>M</b>	<b>LL</b>
Company	Product Range	Thread Types	Connection Type	Adaptor Structure	Thread Types	Connection Type	Connector Feature
<b>DME</b>	Adaptor	JIC UNF	Male	Straight	NPTF	Male	X-Long

German Technology Equipment

**SHIELD FLEX**

New-Standard

- DME&JDE Code: **DAJCM128M-LL**
- Product Type: **Hydraulic adaptor**
- Standard: **JIC and SAE-ORB**
- Structure: **Straight**
- Connection Type: **Male x Male**
- Thread Types: **UNF x NPTF**



PART NUMBER	F1 (Thread)	F2 (Thread)	C1	C2	D1	D2	L	S	Hex
#	UNF	NPTF	mm	mm	mm	mm	mm	-	-
DAJCM128M-LL-0402	7/16"-20	1/8"-27	13.97	9.65	4.37	4.78	65.00	12 mm	Metric
DAJCM128M-LL-0404	7/16"-20	1/4"-18	13.97	14.22	4.37	7.14	82.60	14 mm	Metric
DAJCM128M-LL-0402IN	7/16"-20	1/8"-27	13.97	9.65	4.37	4.78	65.00	1/2"	Imperial
DAJCM128M-LL-0404IN	7/16"-20	1/4"-18	13.97	14.22	4.37	7.14	82.60	9/16"	Imperial
DAJCM128M-LL-0502	1/2"-20	1/8"-27	13.97	9.65	5.94	4.78	71.40	14 mm	Metric
DAJCM128M-LL-0502IN	1/2"-20	1/8"-27	13.97	9.65	5.94	4.78	71.40	9/16"	Imperial
DAJCM128M-LL-0602	9/16"-18	1/8"-27	14.12	9.65	7.54	4.78	78.00	17 mm	Metric
DAJCM128M-LL-0604	9/16"-18	1/4"-18	14.12	14.22	7.14	7.14	82.60	17 mm	Metric
DAJCM128M-LL-0606	9/16"-18	3/8"-18	14.12	14.22	7.54	10.31	99.60	19 mm	Metric
DAJCM128M-LL-0608	9/16"-18	1/2"-14	14.12	19.05	7.54	13.49	104.40	22 mm	Metric
DAJCM128M-LL-0602IN	9/16"-18	1/8"-27	14.12	9.65	7.54	4.78	78.00	5/8"	Imperial
DAJCM128M-LL-0604IN	9/16"-18	1/4"-18	14.12	14.22	7.14	7.14	82.60	5/8"	Imperial
DAJCM128M-LL-0606IN	9/16"-18	3/8"-18	14.12	14.22	7.54	10.31	99.60	3/4"	Imperial
DAJCM128M-LL-0608IN	9/16"-18	1/2"-14	14.12	19.05	7.54	13.49	104.40	7/8"	Imperial
DAJCM128M-LL-0806	3/4"-16	3/8"-18	16.69	14.22	9.93	9.93	101.60	19 mm	Metric
DAJCM128M-LL-0808	3/4"-16	1/2"-14	16.69	19.05	9.93	13.49	106.70	22 mm	Metric
DAJCM128M-LL-0806IN	3/4"-16	3/8"-18	16.69	14.22	9.93	9.93	101.60	13/16"	Imperial
DAJCM128M-LL-0808IN	3/4"-16	1/2"-14	16.69	19.05	9.93	13.49	106.70	7/8"	Imperial
DAJCM128M-LL-1008	7/8"-14	1/2"-14	19.25	19.05	12.29	13.49	111.10	24 mm	Metric
DAJCM128M-LL-1008IN	7/8"-14	1/2"-14	19.25	19.05	12.29	13.49	111.10	15/16"	Imperial
DAJCM128M-LL-1212	1-1/16"-12	3/4"-14	21.95	19.05	15.47	18.26	127.00	27 mm	Metric
DAJCM128M-LL-1212IN	1-1/16"-12	3/4"-14	21.95	19.05	15.47	18.26	127.00	1-1/8"	Imperial
DAJCM128M-LL-1612	1-5/16"-12	3/4"-14	23.14	19.05	21.44	18.26	141.22	36 mm	Metric
DAJCM128M-LL-1616	1-5/16"-12	1"-11-1/2	23.14	23.88	21.44	23.83	146.05	36 mm	Metric
DAJCM128M-LL-1612IN	1-5/16"-12	3/4"-14	23.14	19.05	21.44	18.26	141.22	1-3/8"	Imperial
DAJCM128M-LL-1616IN	1-5/16"-12	1"-11-1/2	23.14	23.88	21.44	23.83	146.05	1-3/8"	Imperial

Web: <https://www.dmejde.com>  
E-mail: [info@dmejde.com](mailto:info@dmejde.com)



## DAJCM106Y

Long Connector JIC Male – BSPP Male + Retaining Ring +O Ring

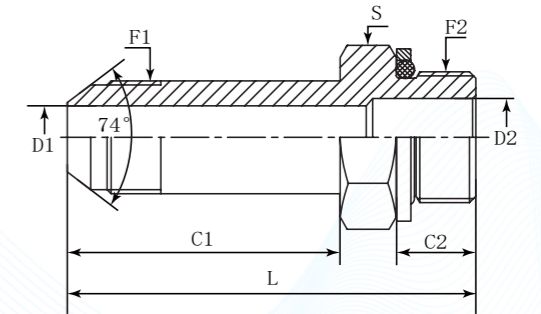
<b>D</b>	<b>A</b>	<b>JC</b>	<b>M</b>	<b>1</b>	<b>06</b>	<b>Y</b>
Company	Product Range	Thread Types	Connection Type	Adaptor Structure	Thread Types	Connection & Sealing Method
<b>DME</b>	Adaptor	JIC UNF	Male	Straight	BSPP	Male + Long O Ring + Retaining Ring

German Technology Equipment

**SHIELD FLEX**

New-Standard

- DME&JDE Code: **DAJCM106Y**
- Product Type: **Hydraulic adaptor**
- Standard: **JIC and SAE-ORB**
- Structure: **Straight**
- Connection Type: **Male x Male**
- Thread Types: **UNF x BSPP**
- Sealing Method: **O Ring + Retaining Ring**



PART NUMBER	F1 (Thread)	F2 (Thread)	C1	C2	D1	D2	L	S
#	UNF	BSPP	mm	mm	mm	mm	mm	-
DAJCM106Y-0402	7/16"-20	1/8"-28	35.00	7.60	4.37	4.37	51.30	14
DAJCM106Y-0404	7/16"-20	1/4"-19	35.00	11.20	4.37	7.50	56.00	19
DAJCM106Y-0502	1/2"-20	1/8"-28	36.80	7.60	5.94	4.40	52.90	17
DAJCM106Y-0504	1/2"-20	1/4"-19	36.80	11.20	5.94	7.50	56.50	19
DAJCM106Y-0506	1/2"-20	3/8"-19	36.80	11.20	5.94	9.90	56.50	22
DAJCM106Y-0604	9/16"-18	1/4"-19	39.00	11.20	7.50	7.50	59.00	19
DAJCM106Y-0606	9/16"-18	3/8"-19	39.00	11.20	7.54	7.54	59.50	22
DAJCM106Y-0608	9/16"-18	1/2"-14	39.00	14.50	7.54	12.30	63.30	27
DAJCM106Y-0804	3/4"-16	1/4"-19	48.00	11.20	9.93	7.50	66.70	22
DAJCM106Y-0806	3/4"-16	3/8"-19	48.00	11.20	9.90	9.90	69.00	22
DAJCM106Y-0808	3/4"-16	1/2"-14	48.00	14.50	9.93	9.93	72.00	27
DAJCM106Y-1006	7/8"-14	3/8"-19	53.10	11.20	12.29	9.90	75.70	27
DAJCM106Y-1008	7/8"-14	1/2"-14	53.10	14.50	12.29	12.29	77.50	27
DAJCM106Y-1012	7/8"-14	3/4"-14	53.10	14.50	12.29	15.50	79.00	36
DAJCM106Y-1208	1-1/16"-12	1/2"-14	63.50	14.50	15.47	12.30	91.10	32
DAJCM106Y-1212	1-1/16"-12	3/4"-14	63.50	14.50	15.47	15.47	91.00	36
DAJCM106Y-1216	1-1/16"-12	1"-11	63.50	18.60	15.47	21.50	94.50	41
DAJCM106Y-1612	1-5/16"-12	3/4"-14	72.10	14.50	21.44	15.50	101.70	41
DAJCM106Y-1616	1-5/16"-12	1"-11	72.10	18.60	21.44	21.44	103.00	41
DAJCM106Y-1620	1-5/16"-12	1-1/4"-11	72.10	18.60	21.44	27.50	104.60	50
DAJCM106Y-2016	1-5/8"-12	1"-11	88.10	18.60	27.38	21.50	122.60	48
DAJCM106Y-2020	1-5/8"-12	1-1/4"-11	88.10	18.60	27.38	27.38	122.00	50
DAJCM106Y-2420	1-7/8"-12	1-1/4"-11	98.60	18.60	33.32	27.50	134.80	55
DAJCM106Y-2424	1-7/8"-12	1-1/2"-11	98.60	18.60	33.00	33.00	134.80	55

Web: <https://www.dmejde.com>  
E-mail: [info@dmejde.com](mailto:info@dmejde.com)



# DAJCM106J

Straight Long Connector JIC Male – BSPP Male +O Ring

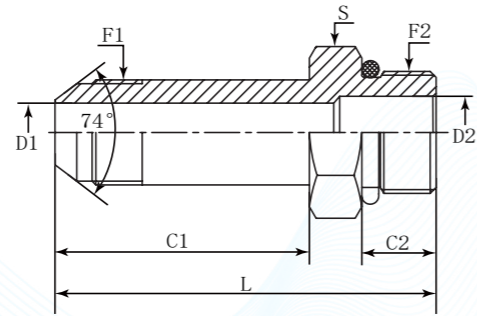
<b>D</b>	<b>A</b>	<b>JC</b>	<b>M</b>	<b>1</b>	<b>06</b>	<b>J</b>
Company	Product Range	Thread Types	Connection Type	Adaptor Structure	Thread Types	Connection & Sealing Method
<b>DME</b>	Adaptor	JIC UNF	Male	Straight	BSPP	Male + O Ring Long Connection

German Technology Equipment

**SHIELD FLEX**

New-Standard

- DME&JDE Code: **DAJCM106J**
- Product Type: **Hydraulic adaptor**
- Standard: **JIC and SAE-ORB**
- Structure: **Straight**
- Connection Type: **Male x Male**
- Thread Types: **UNF x BSPP**
- Sealing Method: **O Ring**



PART NUMBER	F1 (Thread)	F2 (Thread)	C1	C2	D1	D2	L	S
#	UNF	BSPP	mm	mm	mm	mm	mm	-
DAJCM106J-0404	7/16"-20	1/4"-19	35.00	11.20	4.37	7.50	56.00	19
DAJCM106J-0604	9/16"-18	1/4"-19	39.00	11.20	7.50	7.50	59.00	19
DAJCM106J-0606	9/16"-18	3/8"-19	39.00	11.20	7.54	7.54	59.50	22
DAJCM106J-0806	3/4"-16	3/8"-19	48.00	11.20	9.90	9.90	69.00	22
DAJCM106J-0808	3/4"-16	1/2"-14	48.00	14.50	9.93	9.93	72.00	27
DAJCM106J-1008	7/8"-14	1/2"-14	53.10	14.50	12.29	12.29	77.50	27
DAJCM106J-1212	1-1/16"-12	3/4"-14	63.50	14.50	15.47	15.47	91.00	36
DAJCM106J-1216	1-1/16"-12	1"-11	63.50	18.60	15.47	21.50	94.50	41
DAJCM106J-1616	1-5/16"-12	1"-11	72.10	18.60	21.44	21.44	103.00	41
DAJCM106J-2020	1-5/8"-12	1-1/4"-11	88.10	18.60	27.38	27.38	122.00	50

# DAJCM125T

Straight Connector Bulkhead JIC Male – JIC Male

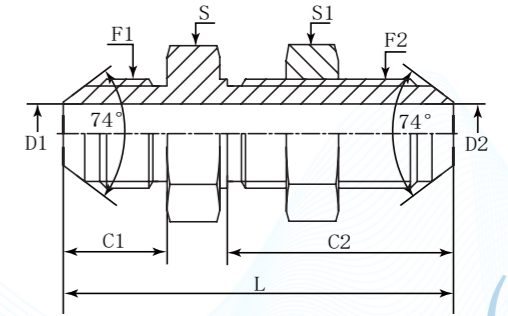
<b>D</b>	<b>A</b>	<b>JC</b>	<b>M</b>	<b>1</b>	<b>25</b>	<b>T</b>
Company	Product Range	Thread Types	Connection Type	Adaptor Structure	Thread Types	Other Features
<b>DME</b>	Adaptor	JIC UNF	Male	Straight	JIC	Bulkhead

German Technology Equipment

**SHIELD FLEX**

New-Standard

- DME&JDE Code: **DAJCM125T**
- Product Type: **Hydraulic adaptor**
- Standard: **JIC and SAE-ORB**
- Structure: **Straight**
- Connection Type: **Male x Male**
- Thread Types: **UNF x UNF**
- Other Features: **Bulkhead**



PART NUMBER	F1 (Thread)	F2 (Thread)	C1	C2	D1	D2	L	S	S1	Hex
#	UNF	UNF	mm	mm	mm	mm	mm	-	-	-
DAJCM125T-0303	3/8"-24	3/8"-24	12.17	28.20	3.18	3.18	48.26	17 mm	16 mm	Metric
DAJCM125T-0303IN	3/8"-24	3/8"-24	12.17	28.20	3.18	3.18	48.26	5/8"	5/8"	Imperial
DAJCM125T-0404	7/16"-20	7/16"-20	13.97	30.50	4.37	4.37	52.60	17 mm	17 mm	Metric
DAJCM125T-0406	7/16"-20	9/16"-18	13.97	32.51	4.37	7.54	55.12	22 mm	22 mm	Metric
DAJCM125T-0404IN	7/16"-20	7/16"-20	13.97	30.50	4.37	4.37	52.60	11/16"	11/16"	Imperial
DAJCM125T-0406IN	7/16"-20	9/16"-18	13.97	32.51	4.37	7.54	55.12	13/16"	13/16"	Imperial
DAJCM125T-0505	1/2"-20	1/2"-20	13.97	30.48	5.94	5.94	52.58	19 mm	19 mm	Metric
DAJCM125T-0505IN	1/2"-20	1/2"-20	13.97	30.48	5.94	5.94	52.58	3/4"	3/4"	Imperial
DAJCM125T-0604	9/16"-18	7/16"-20	14.12	30.50	7.54	4.37	53.30	22 mm	17 mm	Metric
DAJCM125T-0606	9/16"-18	9/16"-18	14.12	32.51	7.54	7.54	55.37	22 mm	22 mm	Metric
DAJCM125T-0604IN	9/16"-18	7/16"-20	14.12	30.50	7.54	4.37	53.30	13/16"	11/16"	Imperial
DAJCM125T-0606IN	9/16"-18	9/16"-18	14.12	32.51	7.54	7.54	55.37	13/16"	13/16"	Imperial
DAJCM125T-0808	3/4"-16	3/4"-16	16.69	36.58	9.93	9.93	61.98	24	24 mm	Metric
DAJCM125T-0808IN	3/4"-16	3/4"-16	16.69	36.58	9.93	9.93	61.98	1"	1"	Imperial
DAJCM125T-1008	7/8"-14	3/4"-16	19.30	38.00	9.90	9.90	65.00	27 mm	24 mm	Metric
DAJCM125T-1010	7/8"-14	7/8"-14	19.25	40.13	12.29	12.29	69.60	30 mm	30 mm	Metric
DAJCM125T-1008IN	7/8"-14	3/4"-16	19.30	38.00	9.90	9.90	65.00	1"	1"	Imperial
DAJCM125T-1010IN	7/8"-14	7/8"-14	19.25	40.13	12.29	12.29	69.60	1-1/8"	1-1/8"	Imperial
DAJCM125T-1212	1-1/16"-12	1-1/16"-12	21.95	44.45	15.47	15.47	78.49	36 mm	36 mm	Metric
DAJCM125T-1212IN	1-1/16"-12	1-1/16"-12	21.95	44.45	15.47	15.47	78.49	1-3/8"	1-3/8"	Imperial
DAJCM125T-1414	1-3/16"-12	1-3/16"-12	22.61	44.45	18.26	18.26	79.25	38 mm	38 mm	Metric
DAJCM125T-1414IN	1-3/16"-12	1-3/16"-12	22.61	44.45	18.26	18.26	79.25	1-1/2"	1-1/2"	Imperial
DAJCM125T-1612	1-5/16"-12	1-1/16"-12	23.14	44.45	21.44	15.47	79.76	41 mm	36 mm	Metric
DAJCM125T-1616	1-5/16"-12	1-5/16"-12	23.14	44.45	21.44	21.44	79.76	41 mm	41 mm	Metric
DAJCM125T-1612IN	1-5/16"-12	1-1/16"-12	23.14	44.45	21.44	15.47	79.76	1-5/8"	1-3/8"	Imperial
DAJCM125T-1616IN	1-5/16"-12	1-5/16"-12	23.14	44.45	21.44	21.44	79.76	1-5/8"	1-5/8"	Imperial
DAJCM125T-2020	1-5/8"-12	1-5/8"-12	24.30	45.70	27.38	27.38	84.07	50 mm	50 mm	Metric
DAJCM125T-2020IN	1-5/8"-12	1-5/8"-12	24.30	45.70	27.38	27.38	84.07	1-7/8"	1-7/8"	Imperial
DAJCM125T-2424	1-7/8"-12	1-7/8"-12	27.51	45.97	33.32	33.32	89.41	55 mm	55 mm	Metric
DAJCM125T-2424IN	1-7/8"-12	1-7/8"-12	27.51	45.97	33.32	33.32	89.41	2-1/8"	2-1/8"	Imperial
DAJCM125T-3232	2-1/2"-12	2-1/2"-12	33.86	53.09	45.24	45.24	106.68	70 mm	70 mm	Metric
DAJCM125T-3232IN	2-1/2"-12	2-1/2"-12	33.86	53.09	45.24	45.24	106.68	2-3/4"	2-3/4"	Imperial



## DAJCT1305

Bulkhead Connector JIC Male Cone – SAE Male + O Ring

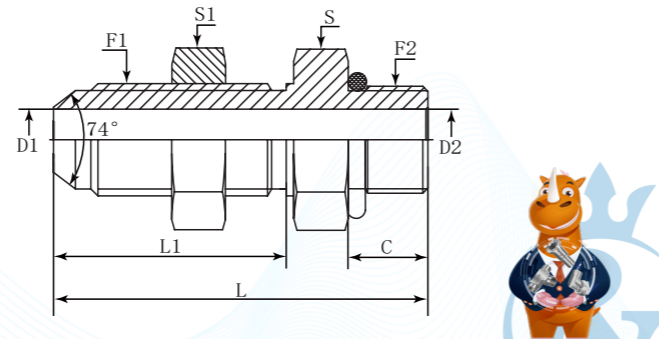
<b>D</b>	<b>A</b>	<b>JC</b>	<b>T</b>	<b>1</b>	<b>30</b>	<b>5</b>
Company	Product Range	Thread Types	Other Features	Adaptor Structure	Thread Types	Connection & Sealing Method
<b>DME</b>	Adaptor	JIC UNF	Bulkhead	Straight	SAE UNF	Male + O Ring

German Technology Equipment

**SHIELD FLEX**

New-Standard

- DME&JDE Code: **DAJCT1305**
- Product Type: **Hydraulic adaptor**
- Standard: **JIC and SAE-ORB**
- Structure: **Straight**
- Connection Type: **Male x Male**
- Thread Types: **UNF x UNF**
- Other Features: **Bulkhead**



PART NUMBER	F1 (Thread)	F2 (Thread)	C	D1	D2	L1	L	S	S1	Hex
#	UNF	UNF	mm	mm	mm	mm	mm	Inch	Inch	-
DAJCT1305-0404	7/16"-20	7/16"-20	9.14	4.37	4.37	30.50	50.00	17 mm	17 mm	Metric
DAJCT1305-0404IN	7/16"-20	7/16"-20	9.14	4.37	4.37	30.50	50.00	11/16"	11/16"	Imperial
DAJCT1305-0606	9/16"-18	9/16"-18	9.93	7.54	7.54	32.50	53.50	22 mm	22 mm	Metric
DAJCT1305-0606IN	9/16"-18	9/16"-18	9.93	7.54	7.54	32.50	53.50	13/16"	13/16"	Imperial
DAJCT1305-0808	3/4"-16	3/4"-16	11.13	9.93	9.93	36.60	59.70	27 mm	27 mm	Metric
DAJCT1305-0812	3/4"-16	1-1/16"-12	15.09	9.93	15.47	36.58	64.80	36 mm	27 mm	Metric
DAJCT1305-0808IN	3/4"-16	3/4"-16	11.13	9.93	9.93	36.60	59.70	1"	1"	Imperial
DAJCT1305-0812IN	3/4"-16	1-1/16"-12	15.09	9.93	15.47	36.58	64.80	1-3/8"	1"	Imperial
DAJCT1305-1010	7/8"-14	7/8"-14	12.70	12.29	12.29	40.10	66.90	27 mm	27 mm	Metric
DAJCT1305-1010IN	7/8"-14	7/8"-14	12.70	12.29	12.29	40.10	66.90	1-1/8"	1-1/8"	Imperial
DAJCT1305-1212	1-1/16"-12	1-1/16"-12	15.09	15.47	15.47	44.40	74.90	36 mm	36 mm	Metric
DAJCT1305-1212IN	1-1/16"-12	1-1/16"-12	15.09	15.47	15.47	44.40	74.90	1-3/8"	1-3/8"	Imperial
DAJCT1305-1616	1-5/16"-12	1-5/16"-12	15.09	21.44	21.44	44.40	75.80	41 mm	41 mm	Metric
DAJCT1305-1616IN	1-5/16"-12	1-5/16"-12	15.09	21.44	21.44	44.40	75.80	1-5/8"	1-5/8"	Imperial
DAJCT1305-2020	1-5/8"-12	1-5/8"-12	15.09	27.38	27.38	45.70	76.50	50 mm	50 mm	Metric
DAJCT1305-2020IN	1-5/8"-12	1-5/8"-12	15.09	27.38	27.38	45.70	76.50	1-7/8"	1-7/8"	Imperial

## DAJCT128M

Straight Connector Bulkhead JIC Male – NPTF Male 60°

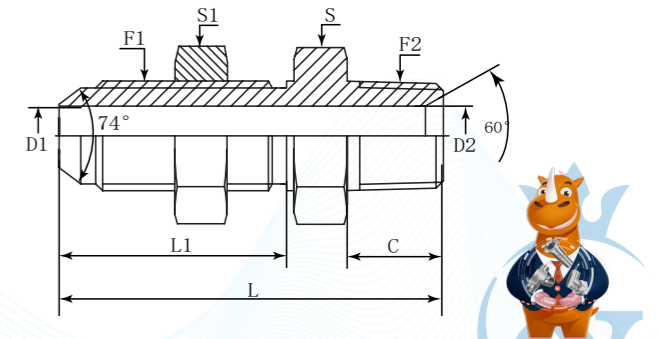
<b>D</b>	<b>A</b>	<b>JC</b>	<b>T</b>	<b>1</b>	<b>28</b>	<b>M</b>
Company	Product Range	Thread Types	Other Features	Adaptor Structure	Thread Types	Connection Type
<b>DME</b>	Adaptor	JIC UNF	Bulkhead	Straight	NPTF	Male

German Technology Equipment

**SHIELD FLEX**

New-Standard

- DME&JDE Code: **DAJCT128M**
- Product Type: **Hydraulic adaptor**
- Standard: **JIC and SAE-ORB**
- Structure: **Straight**
- Connection Type: **Male x Male**
- Thread Types: **UNF x NPTF 60°**
- Other Features: **Bulkhead**



PART NUMBER	F1 (Thread)	F2 (Thread)	C	D1	D2	L1	L	S	S1	Hex
#	UNF	NPTF	mm	mm	mm	mm	mm	-	-	-
DAJCT128M-0402	7/16"-20	1/8"-27	9.65	4.37	4.37	30.48	46.70	17 mm	17 mm	Metric
DAJCT128M-0404	7/16"-20	1/4"-18	14.22	4.37	7.14	30.48	52.80	17 mm	17 mm	Metric
DAJCT128M-0406	7/16"-20	3/8"-18	14.22	4.37	10.31	30.48	53.58	19 mm	17 mm	Metric
DAJCT128M-0402IN	7/16"-20	1/8"-27	9.65	4.37	4.37	30.48	46.70	11/16"	11/16"	Imperial
DAJCT128M-0404IN	7/16"-20	1/4"-18	14.22	4.37	7.14	30.48	52.80	11/16"	11/16"	Imperial
DAJCT128M-0406IN	7/16"-20	3/8"-18	14.22	4.37	10.31	30.48	53.58	3/4"	11/16"	Imperial
DAJCT128M-0604	9/16"-18	1/4"-18	14.22	7.14	7.14	32.51	55.60	22 mm	22 mm	Metric
DAJCT128M-0606	9/16"-18	3/8"-18	14.22	7.54	10.31	32.51	55.60	22 mm	22 mm	Metric
DAJCT128M-0608	9/16"-18	1/2"-14	19.05	7.54	13.49	32.51	61.20	27 mm	22 mm	Metric
DAJCT128M-0604IN	9/16"-18	1/4"-18	14.22	7.14	7.14	32.51	55.60	13/16"	13/16"	Imperial
DAJCT128M-0606IN	9/16"-18	3/8"-18	14.22	7.54	10.31	32.51	55.60	13/16"	13/16"	Imperial
DAJCT128M-0608IN	9/16"-18	1/2"-14	19.05	7.54	13.49	32.51	61.20	1-1/8"	13/16"	Imperial
DAJCT128M-0806	3/4"-16	3/8"-18	14.22	9.93	9.93	36.58	60.50	27 mm	24 mm	Metric
DAJCT128M-0808	3/4"-16	1/2"-14	19.05	9.93	13.49	36.58	65.50	27 mm	24 mm	Metric
DAJCT128M-0812	3/4"-16	3/4"-14	19.05	9.93	18.26	36.58	67.90	32 mm	24 mm	Metric
DAJCT128M-0806IN	3/4"-16	3/8"-18	14.22	9.93	9.93	36.58	60.50	1-1/8"	1-1/8"	Imperial
DAJCT128M-0808IN	3/4"-16	1/2"-14	19.05	9.93	13.49	36.58	65.50	1-1/8"	1-1/8"	Imperial
DAJCT128M-0812IN	3/4"-16	3/4"-14	19.05	9.93	18.26	36.58	67.90	1-1/4"	1-1/8"	Imperial
DAJCT128M-1008	7/8"-14	1/2"-14	19.05	12.29	12.29	40.10	71.12	32 mm	30 mm	Metric
DAJCT128M-1008IN	7/8"-14	1/2"-14	19.05	12.29	12.29	40.10	71.12	1-1/4"	1-1/4"	Imperial
DAJCT128M-1208	1-1/16"-12	1/2"-14	19.05	15.47	13.49	44.45	74.20	36 mm	36 mm	Metric
DAJCT128M-1212	1-1/16"-12	3/4"-14	19.05	15.47	18.26	44.45	74.20	36 mm	36 mm	Metric
DAJCT128M-1208IN	1-1/16"-12	1/2"-14	19.05	15.47	13.49	44.45	74.20	1-3/8"	1-3/8"	Imperial
DAJCT128M-1212IN	1-1/16"-12	3/4"-14	19.05	15.47	18.26	44.45	74.20	1-3/8"	1-3/8"	Imperial
DAJCT128M-1612	1-5/16"-12	3/4"-14	19.05	21.44	18.26	39.62	73.70	41 mm	41 mm	Metric
DAJCT128M-1616	1-5/16"-12	1"-11-1/2	23.88	21.44	21.44	39.62	78.50	41 mm	41 mm	Metric
DAJCT128M-1612IN	1-5/16"-12	3/4"-14	19.05	21.44	18.26	39.62	73.70	1-1/2"	1-1/2"	Imperial
DAJCT128M-1616IN	1-5/16"-12	1"-11-1/2	23.88	21.44	21.44	39.62	78.50	1-1/2"	1-1/2"	Imperial
DAJCT128M-2020	1-5/8"-12	1-1/4"-11-1/2	24.64	27.38	31.75	45.70	82.60	46 mm	50 mm	Metric
DAJCT128M-2020IN	1-5/8"-12	1-1/4"-11-1/2	24.64	27.38	31.75	45.70	82.60	1-11/16"	1-11/16"	Imperial
DAJCT128M-2424	1-7/8"-12	1-1/2"-11-1/2	25.40	33.32	38.10	45.97	87.50	55 mm	55 mm	Metric
DAJCT128M-2424IN	1-7/8"-12	1-1/2"-11-1/2	25.40	33.32	38.10	45.97	87.50	2-1/8"	2-1/8"	Imperial
DAJCT128M-3232	2-1/2"-12	2"-11-1/2	26.16	45.24	49.23	53.09	99.00	70 mm	70 mm	Metric
DAJCT128M-3232IN	2-1/2"-12	2"-11-1/2	26.16	45.24	49.23	53.09	99.00	2-3/4"	2-3/4"	Imperial

Certificate:





## DAJCT105M

Straight Connector Bulkhead JIC Male Cone – BSPP Male 60°

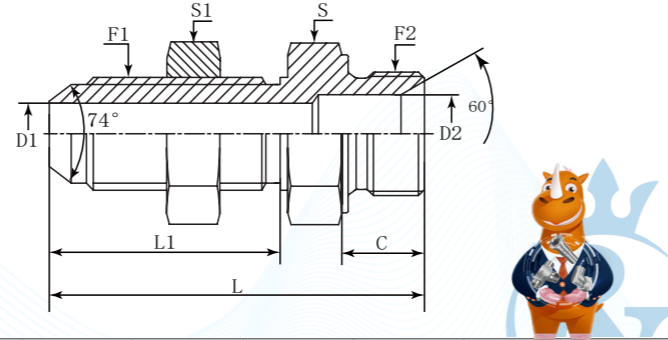
<b>D</b>	<b>A</b>	<b>JC</b>	<b>T</b>	<b>1</b>	<b>05</b>	<b>M</b>
Company	Product Range	Thread Types	Other Features	Adaptor Structure	Thread Types	Connection Type
<b>DME</b>	Adaptor	JIC UNF	Bulkhead	Straight	BSPP	Male

German Technology Equipment

**SHIELD FLEX**

New-Standard

- DME&JDE Code: **DAJCT105M**
- Product Type: **Hydraulic adaptor**
- Standard: **JIC and SAE-ORB**
- Structure: **Straight**
- Connection Type: **Male x Male**
- Thread Types: **UNF x BSPP 60°**
- Other Features: **Bulkhead**



PART NUMBER	F1 (Thread)	F2 (Thread)	C	D1	D2	L1	L	S	S1
#	UNF	BSPP	mm	mm	mm	mm	mm	Inch	Inch
DAJCT105M-0404	7/16"-20	1/4"-19	11.00	4.37	4.37	30.50	50.50	19	17.46
DAJCT105M-0406	7/16"-20	3/8"-19	12.00	4.37	7.90	30.50	53.00	22	17.46
DAJCT105M-0606	9/16"-18	3/8"-19	12.00	7.54	7.54	32.51	54.00	22	20.64
DAJCT105M-0608	9/16"-18	1/2"-14	14.00	7.54	11.10	32.51	58.00	27	20.64
DAJCT105M-0808	3/4"-16	1/2"-14	14.00	9.93	9.93	36.58	62.50	27	25.4
DAJCT105M-1008	7/8"-14	1/2"-14	14.00	11.10	11.10	40.13	65.50	28.58	28.5
DAJCT105M-1212	1-1/16"-12	3/4"-14	16.00	15.47	15.47	44.45	71.50	32	34.9
DAJCT105M-1616	1-5/16"-12	1"-11	19.00	21.44	21.44	44.45	76.50	41	41

## DAJCLN

JIC Bulkhead Nut

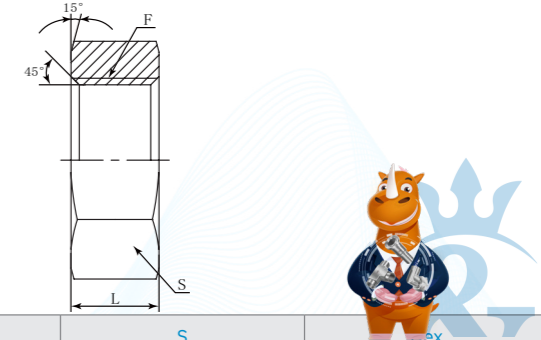
<b>D</b>	<b>A</b>	<b>JC</b>	<b>LN</b>
Company	Product Range	Thread Types	Other Features
<b>DME</b>	Adaptor	JIC UNF	Bulkhead Nut

German Technology Equipment

**SHIELD FLEX**

New-Standard

- DME&JDE Code: **DAJCLN**
- Product Type: **Hydraulic adaptor**
- Standard: **JIC and SAE-ORB**
- Structure: **Straight**
- Thread Types: **UNF Bulkhead Nut**
- Other Features: **Bulkhead**



PART NUMBER	F (Thread)	L	S	
#	UNF	mm	-	-
DAJCLN-0400	7/16"-20	7.10	17 mm	Metric
DAJCLN-0400IN	7/16"-20	7.10	11/16"	Imperial
DAJCLN-0500	1/2"-20	7.11	19 mm	Metric
DAJCLN-0500IN	1/2"-20	7.11	3/4"	Imperial
DAJCLN-0600	9/16"-18	6.86	22 mm	Metric
DAJCLN-0600IN	9/16"-18	6.86	13/16"	Imperial
DAJCLN-0800	3/4"-16	7.90	24 mm	Metric
DAJCLN-0800IN	3/4"-16	7.90	15/16"	Imperial
DAJCLN-1000	7/8"-14	9.14	30 mm	Metric
DAJCLN-1000IN	7/8"-14	9.14	1-1/8"	Imperial
DAJCLN-1200	1-1/16"-12	10.50	36 mm	Metric
DAJCLN-1200IN	1-1/16"-12	10.50	1-3/8"	Imperial
DAJCLN-1400	1-3/16"-12	10.40	36 mm	Metric
DAJCLN-1400IN	1-3/16"-12	10.40	1-3/8"	Imperial
DAJCLN-1600	1-5/16"-12	10.40	41 mm	Metric
DAJCLN-1600IN	1-5/16"-12	10.40	1-1/2"	Imperial
DAJCLN-2000	1-5/8"-12	10.40	50 mm	Metric
DAJCLN-2000IN	1-5/8"-12	10.40	2"	Imperial
DAJCLN-2400	1-7/8"-12	10.50	55 mm	Metric
DAJCLN-2400IN	1-7/8"-12	10.50	2-1/8"	Imperial
DAJCLN-3200	2-1/2"-12	10.40	70 mm	Metric
DAJCLN-3200IN	1-1/16"-17	10.40	2-3/4"	Imperial

## MJ-BJM

Straight Connector JIC Male – Banjo UNF

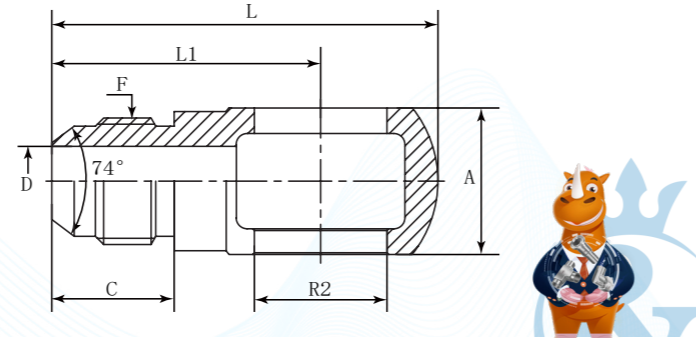
<b>M</b>	<b>J</b>	<b>BJ</b>	<b>M</b>
Company	Thread Types	Other Features	Standard
<b>DME</b>	JIC UNF	Banjo	Metric

German Technology Equipment

**SHIELD FLEX**

New-Standard

- DME&JDE Code: MJ-BJM
- Product Type: Hydraulic adaptor
- Hose Fitting Type: JIC and SAE-ORB
- Structure: Straight
- Thread Types: UNF
- Other Features: Banjo



PART NUMBER	F (Thread)	A	C	D	R2	L1	L
#	UNF	mm	mm	mm	mm	mm	mm
MJ-BJM-0408	7/16"-20	9.20	13.97	4.37	8.10	27.00	34.50
MJ-BJM-0410	7/16"-20	10.20	13.97	4.37	10.10	26.00	34.50
MJ-BJM-0412	7/16"-20	12.10	13.97	4.37	12.10	30.00	40.00
MJ-BJM-0414	7/16"-20	14.00	13.97	4.37	14.10	30.50	42.00
MJ-BJM-0416	7/16"-20	16.00	13.97	4.37	16.10	30.00	44.00
MJ-BJM-0418	7/16"-20	20.00	13.97	4.37	18.10	33.50	49.50
MJ-BJM-0612	9/16"-18	12.00	14.12	7.54	12.10	29.60	39.60
MJ-BJM-0614	9/16"-18	14.00	14.12	7.54	14.10	30.10	42.10
MJ-BJM-0616	9/16"-18	16.00	14.12	7.54	16.10	30.10	44.10
MJ-BJM-0618	9/16"-18	20.00	14.12	7.54	18.10	33.60	49.60
MJ-BJM-0620	9/16"-18	22.00	14.12	7.54	20.00	36.10	54.10
MJ-BJM-0622	9/16"-18	25.00	14.12	7.54	22.10	37.70	57.20
MJ-BJM-0814	3/4"-16	14.00	16.69	7.54	14.10	32.70	45.00
MJ-BJM-0816	3/4"-16	16.00	16.69	7.54	16.10	32.70	46.70
MJ-BJM-0818	3/4"-16	20.00	16.69	9.93	18.10	36.20	52.20
MJ-BJM-0820	3/4"-16	22.00	16.69	9.93	20.00	38.70	56.70
MJ-BJM-0822	3/4"-16	25.00	16.69	9.93	22.10	40.30	59.80
MJ-BJM-1022	7/8"-14	25.00	19.25	12.29	22.10	42.80	62.30
MJ-BJM-1024	7/8"-14	24.00	19.25	12.29	24.00	46.80	66.80
MJ-BJM-1226	1-1/16"-12	30.00	21.95	15.47	26.10	48.50	71.50
MJ-BJM-1230	1-1/16"-12	36.00	21.95	15.47	30.20	52.00	79.00
MJ-BJM-1630	1-1/16"-12	36.00	23.14	21.44	30.20	53.10	80.10

## DAJCM425M

45° Elbow JIC – JIC Male

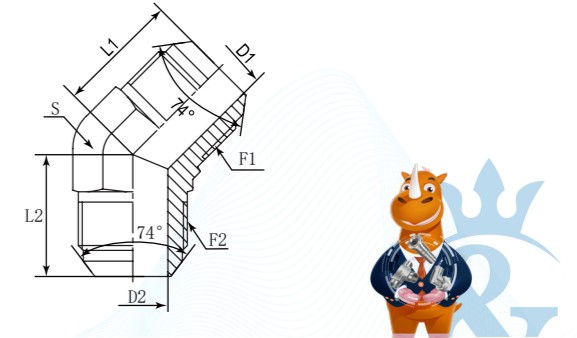
<b>D</b>	<b>A</b>	<b>JC</b>	<b>M</b>	<b>4</b>	<b>25</b>	<b>M</b>
Company	Product Range	Thread Types	Connection Type	Adaptor Structure	Thread Types	Connection Type
<b>DME</b>	Adaptor	JIC UNF	Male	45° Elbow	JIC	Male

German Technology Equipment

**SHIELD FLEX**

New-Standard

- DME&JDE Code: DAJCM425M
- Product Type: Hydraulic adaptor
- Standard: JIC and SAE-ORB
- Structure: 45° Elbow
- Connection Type: Male x Male
- Thread Types: UNF x UNF



PART NUMBER	F1 (Thread)	F2 (Thread)	D1	D2	L1	L2	S	Hex
#	UNF	UNF	mm	mm	mm	mm	-	-
DAJCM425M-0303	3/8"-24	3/8"-24	3.18	3.18	17.50	17.50	11 mm	Metric
DAJCM425M-0303IN	3/8"-24	3/8"-24	3.18	3.18	17.50	17.50	7/16"	Imperial
DAJCM425M-0404	7/16"-20	7/16"-20	4.37	4.37	18.30	18.30	11 mm	Metric
DAJCM425M-0404IN	7/16"-20	7/16"-20	4.37	4.37	18.30	18.30	7/16"	Imperial
DAJCM425M-0505	1/2"-20	1/2"-20	5.94	5.94	19.60	19.60	14 mm	Metric
DAJCM425M-0505IN	1/2"-20	1/2"-20	5.94	5.94	19.60	19.60	9/16"	Imperial
DAJCM425M-0604	9/16"-18	7/16"-20	7.54	4.37	21.10	19.60	14 mm	Metric
DAJCM425M-0606	9/16"-18	9/16"-18	7.54	7.54	21.10	21.10	14 mm	Metric
DAJCM425M-0604IN	9/16"-18	7/16"-20	7.54	4.37	21.10	19.60	9/16"	Imperial
DAJCM425M-0606IN	9/16"-18	9/16"-18	7.54	7.54	21.10	21.10	9/16"	Imperial
DAJCM425M-0806	3/4"-16	9/16"-18	9.93	7.54	24.89	23.08	19 mm	Metric
DAJCM425M-0808	3/4"-16	3/4"-16	9.93	9.93	24.90	24.90	19 mm	Metric
DAJCM425M-0806IN	3/4"-16	9/16"-18	9.93	7.54	24.89	23.08	3/4"	Imperial
DAJCM425M-0808IN	3/4"-16	3/4"-16	9.93	9.93	24.90	24.90	3/4"	Imperial
DAJCM425M-1008	7/8"-14	3/4"-16	12.29	9.93	28.19	26.89	22 mm	Metric
DAJCM425M-1010	7/8"-14	7/8"-14	12.29	12.29	28.20	28.20	22 mm	Metric
DAJCM425M-1008IN	7/8"-14	3/4"-16	12.29	9.93	28.19	26.89	7/8"	Imperial
DAJCM425M-1010IN	7/8"-14	7/8"-14	12.29	12.29	28.20	28.20	7/8"	Imperial
DAJCM425M-1212	1-1/16"-12	1-1/16"-12	15.47	15.47	32.50	32.50	27 mm	Metric
DAJCM425M-1212IN	1-1/16"-12	1-1/16"-12	15.47	15.47	32.50	32.50	1-1/8"	Imperial
DAJCM425M-1616	1-5/16"-12	1-5/16"-12	21.44	21.44	37.34	37.34	33 mm	Metric
DAJCM425M-1616IN	1-5/16"-12	1-5/16"-12	21.44	21.44	37.34	37.34	1-5/16"	Imperial
DAJCM425M-2020	1-5/8"-12	1-5/8"-12	27.38	27.38	40.00	40.00	41mm	Metric
DAJCM425M-2020IN	1-5/8"-12	1-5/8"-12	27.38	27.38	40.00	40.00	1-1/2"	Imperial
DAJCM425M-2424	1-7/8"-12	1-7/8"-12	33.32	33.32	45.20	45.20	48mm	Metric
DAJCM425M-2424IN	1-7/8"-12	1-7/8"-12	33.32	33.32	45.20	45.20	1-7/8"	Imperial

# DAJCM4305

45° Adjustable Elbow JIC Male – SAE Male + O Ring

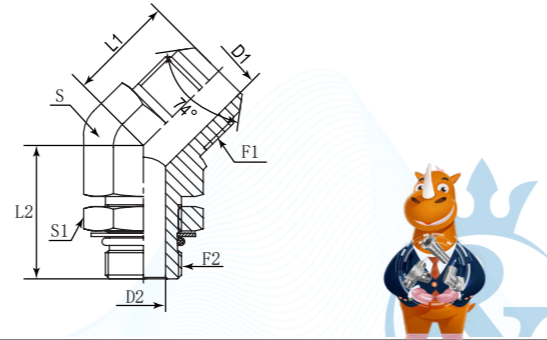
<b>D</b>	<b>A</b>	<b>JC</b>	<b>M</b>	<b>4</b>	<b>30</b>	<b>5</b>
Company	Product Range	Thread Types	Connection Type	Adaptor Structure	Thread Types	Connection & Sealing Method
<b>DME</b>	Adaptor	JIC UNF	Male	45° Elbow	SAE UNF	Male + O Ring

German Technology Equipment

**SHIELD FLEX**

New-Standard

- DME&JDE Code:** DAJCM4305
- Product Type:** Hydraulic adaptor
- Standard:** JIC and SAE-ORB
- Structure:** 45° Elbow
- Connection Type:** Adjustable Male x Male
- Thread Types:** UNF x UNF
- Sealing Method:** O Ring



PART NUMBER	F1 (Thread)	F2 (Thread)	L1	L2	D1	D2	S	S1	Hex
#	UNF	UNF	mm	mm	mm	mm	-	-	-
DAJCM4305-0202	5/16"-24	5/16"-24	17.5	22.4	1.57	1.57	11 mm	11 mm	Metric
DAJCM4305-0202IN	5/16"-24	5/16"-24	17.5	22.4	1.57	1.57	7/16"	7/16"	Imperial
DAJCM4305-0303	3/8"-24	3/8"-24	17.50	22.40	3.18	3.18	11 mm	12 mm	Metric
DAJCM4305-0303IN	3/8"-24	3/8"-24	17.50	22.40	3.18	3.18	7/16"	1/2"	Imperial
DAJCM4305-0404	7/16"-20	7/16"-20	18.30	26.70	4.37	4.37	11 mm	14 mm	Metric
DAJCM4305-0405	7/16"-20	1/2"-20	19.60	26.70	4.37	5.94	14 mm	17 mm	Metric
DAJCM4305-0406	7/16"-20	9/16"-18	20.80	29.00	4.37	7.54	14 mm	19 mm	Metric
DAJCM4305-0408	7/16"-20	3/4"-16	21.60	33.00	4.37	9.93	19 mm	22 mm	Metric
DAJCM4305-0404IN	7/16"-20	7/16"-20	18.30	26.70	4.37	4.37	7/16"	9/16"	Imperial
DAJCM4305-0405IN	7/16"-20	1/2"-20	19.60	26.70	4.37	5.94	9/16"	5/8"	Imperial
DAJCM4305-0406IN	7/16"-20	9/16"-18	20.80	29.00	4.37	7.54	9/16"	11/16"	Imperial
DAJCM4305-0408IN	7/16"-20	3/4"-16	21.60	33.00	4.37	9.93	3/4"	7/8"	Imperial
DAJCM4305-0504	1/2"-20	7/16"-20	19.60	26.70	5.94	4.37	14 mm	14 mm	Metric
DAJCM4305-0505	1/2"-20	1/2"-20	19.60	26.70	5.94	5.94	14 mm	17 mm	Metric
DAJCM4305-0506	1/2"-20	9/16"-18	20.80	29.00	5.94	7.54	14 mm	19 mm	Metric
DAJCM4305-0508	1/2"-20	3/4"-16	22.10	33.00	5.94	9.93	19 mm	22 mm	Metric
DAJCM4305-0504IN	1/2"-20	7/16"-20	19.60	26.70	5.94	4.37	9/16"	9/16"	Imperial
DAJCM4305-0505IN	1/2"-20	1/2"-20	19.60	26.70	5.94	5.94	9/16"	5/8"	Imperial
DAJCM4305-0506IN	1/2"-20	9/16"-18	20.80	29.00	5.94	7.54	9/16"	11/16"	Imperial
DAJCM4305-0508IN	1/2"-20	3/4"-16	22.10	33.00	5.94	9.93	3/4"	7/8"	Imperial
DAJCM4305-0604	9/16"-18	7/16"-20	21.10	27.40	7.54	4.37	14 mm	14 mm	Metric
DAJCM4305-0605	9/16"-18	1/2"-20	21.10	27.40	7.54	5.94	14 mm	17 mm	Metric
DAJCM4305-0606	9/16"-18	9/16"-18	21.10	29.00	7.54	7.54	14 mm	19 mm	Metric
DAJCM4305-0608	9/16"-18	3/4"-16	22.10	33.00	7.54	9.93	19 mm	22 mm	Metric
DAJCM4305-0610	9/16"-18	7/8"-14	22.40	38.60	7.54	12.29	22 mm	27 mm	Metric
DAJCM4305-0612	9/16"-18	1-1/16"-12	23.62	43.94	7.54	15.47	27 mm	32 mm	Metric
DAJCM4305-0604IN	9/16"-18	7/16"-20	21.10	27.40	7.54	4.37	9/16"	9/16"	Imperial

Web: <https://www.dmejde.com>  
E-mail: [info@dmejde.com](mailto:info@dmejde.com)



DAJCM4305-0605IN	9/16"-18	1/2"-20	21.10	27.40	7.54	5.94	9/16"	5/8"	Imperial
DAJCM4305-0606IN	9/16"-18	9/16"-18	21.10	29.00	7.54	7.54	9/16"	11/16"	Imperial
DAJCM4305-0608IN	9/16"-18	3/4"-16	22.10	33.00	7.54	9.93	3/4"	7/8"	Imperial
DAJCM4305-0610IN	9/16"-18	7/8"-14	22.40	38.60	7.54	12.29	7/8"	1"	Imperial
DAJCM4305-0612IN	9/16"-18	1-1/16"-12	23.62	43.94	7.54	15.47	1-1/16"	1-1/4"	Imperial
DAJCM4305-0804	3/4"-16	7/16"-20	24.90	28.20	9.93	4.37	19 mm	14 mm	Metric
DAJCM4305-0806	3/4"-16	9/16"-18	24.90	29.70	9.93	7.54	19 mm	19 mm	Metric
DAJCM4305-0808	3/4"-16	3/4"-16	24.90	33.00	9.93	9.93	19 mm	22 mm	Metric
DAJCM4305-0810	3/4"-16	7/8"-14	25.20	38.60	9.93	12.29	22 mm	27 mm	Metric
DAJCM4305-0812	3/4"-16	1-1/16"-12	26.40	43.90	9.93	15.47	27 mm	32 mm	Metric
DAJCM4305-0804IN	3/4"-16	7/16"-20	24.90	28.20	9.93	4.37	3/4"	9/16"	Imperial
DAJCM4305-0806IN	3/4"-16	9/16"-18	24.90	29.70	9.93	7.54	3/4"	11/16"	Imperial
DAJCM4305-0808IN	3/4"-16	3/4"-16	24.90	33.00	9.93	9.93	3/4"	7/8"	Imperial
DAJCM4305-0810IN	3/4"-16	7/8"-14	25.20	38.60	9.93	12.29	7/8"	1"	Imperial
DAJCM4305-0812IN	3/4"-16	1-1/16"-12	26.40	43.90	9.93	15.47	1-1/16"	1-1/4"	Imperial
DAJCM4305-1008	7/8"-14	3/4"-16	28.20	34.50	12.29	9.93	22 mm	22 mm	Metric
DAJCM4305-1010	7/8"-14	7/8"-14	28.20	38.60	12.29	12.29	22 mm	27 mm	Metric
DAJCM4305-1012	7/8"-14	1-1/16"-12	29.50	43.90	12.29	15.47	27 mm	32 mm	Metric
DAJCM4305-1008IN	7/8"-14	3/4"-16	28.20	34.50	12.29	9.93	7/8"	7/8"	Imperial
DAJCM4305-1010IN	7/8"-14	7/8"-14	28.20	38.60	12.29	12.29	7/8"	1"	Imperial
DAJCM4305-1012IN	7/8"-14	1-1/16"-12	29.50	43.90	12.29	15.47	1-1/16"	1-1/4"	Imperial
DAJCM4305-1208	1-1/16"-12	3/4"-16	32.50	35.80	15.47	9.93	27 mm	22 mm	Metric
DAJCM4305-1210	1-1/16"-12	7/8"-14	32.50	39.90	15.47	12.29	27 mm	27 mm	Metric
DAJCM4305-1212	1-1/16"-12	1-1/16"-12	32.50	43.90	15.47	15.47	27 mm	32 mm	Metric
DAJCM4305-1216	1-1/16"-12	1-5/16"-12	36.10	47.20	15.47	21.44	33 mm	41 mm	Metric
DAJCM4305-1208IN	1-1/16"-12	3/4"-16	32.50	35.80	15.47	9.93	1-1/16"	7/8"	Imperial
DAJCM4305-1210IN	1-1/16"-12	7/8"-14	32.50	39.90	15.47	12.29	1-1/16"	1"	Imperial
DAJCM4305-1212IN	1-1/16"-12	1-1/16"-12	32.50	43.90	15.47	15.47	1-1/16"	1-1/4"	Imperial
DAJCM4305-1216IN	1-1/16"-12	1-5/16"-12	36.10	47.20	15.47	21.44	1-5/16"	1-1/2"	Imperial
DAJCM4305-1414	1-3/16"-12	1-3/16"-12	36.83	47.24	18.26	18.26	33 mm	36 mm	Metric
DAJCM4305-1414IN	1-3/16"-12	1-3/16"-12	36.83	47.24	18.26	18.26	1-5/16"	1-3/8"	Imperial
DAJCM4305-1612	1-5/16"-12	1-1/16"-12	37.30	47.20	21.44	15.47	33 mm	32 mm	Metric
DAJCM4305-1614	1-5/16"-12	1-3/16"-12	37.30	47.20	21.44	18.26	33 mm	36 mm	Metric
DAJCM4305-1616	1-5/16"-12	1-5/16"-12	37.30	47.20	21.44	21.44	33 mm	41 mm	Metric
DAJCM4305-1620	1-5/16"-12	1-5/8"-12	39.10	48.50	21.44	27.38	41 mm	50 mm	Metric
DAJCM4305-1612IN	1-5/16"-12	1-1/16"-12	37.30	47.20	21.44	15.47	1-5/16"	1-1/4"	Imperial
DAJCM4305-1614IN	1-5/16"-12	1-3/16"-12	37.30	47.20	21.44	18.26	1-5/16"	1-3/8"	Imperial
DAJCM4305-1616IN	1-5/16"-12	1-5/16"-12	37.30	47.20	21.44	21.44	1-5/16"	1-1/2"	Imperial
DAJCM4305-1620IN	1-5/16"-12	1-5/8"-12	39.10	48.50	21.44	27.38	1-5/8"	1-7/8"	Imperial
DAJCM4305-2016	1-5/8"-12	1-5/16"-12	40.40	48.50	27.38	21.44	41 mm	41 mm	Metric
DAJCM4305-2020	1-5/8"-12	1-5/8"-12	40.30	48.50	27.38	27.38	41 mm	50 mm	Metric
DAJCM4305-2024	1-5/8"-12	1-7/8"-12	41.90	48.50	27.38	33.32	48 mm	55 mm	Metric
DAJCM4305-2016IN	1-5/8"-12	1-5/16"-12	40.40	48.50	27.38	21.44	1-5/8"	1-1/2"	Imperial
DAJCM4305-2020IN	1-5/8"-12	1-5/8"-12	40.30	48.50	27.38	27.38	1-5/8"	1-7/8"	Imperial
DAJCM4305-2024IN	1-5/8"-12	1-7/8"-12	41.90	48.50	27.38	33.32	1-7/8"	2-1/8"	Imperial
DAJCM4305-2420	1-7/8"-12	1-5/8"-12	45.20	48.50	33.32	27.38	48 mm	50 mm	Metric
DAJCM4305-2424	1-7/8"-12	1-7/8"-12	45.20	48.50	33.30	33.30	48 mm	55 mm	Metric
DAJCM4305-2420IN	1-7/8"-12	1-5/8"-12	45.20	48.50	33.32	27.38	1-7/8"	1-7/8"	Imperial
DAJCM4305-2424IN	1-7/8"-12	1-7/8"-12	45.20	48.50	33.30	33.30	1-7/8"	2-1/8"	Imperial
DAJCM4305-3232	2-1/2"-12	2-1/2"-12	56.40	50.40	45.24	45.24	65 mm	70 mm	Metric
DAJCM4305-3232IN	2-1/2"-12	2-1/2"-12	56.40	50.40	45.24	45.24	2-1/2"	2-3/4"	Imperial



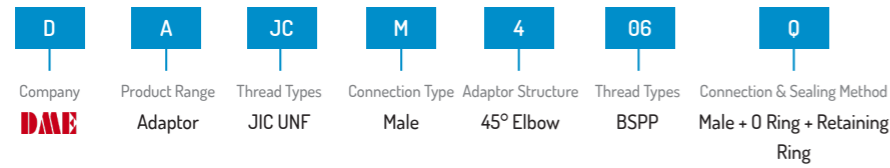
Web: <https://www.dmejde.com>  
E-mail: [info@dmejde.com](mailto:info@dmejde.com)



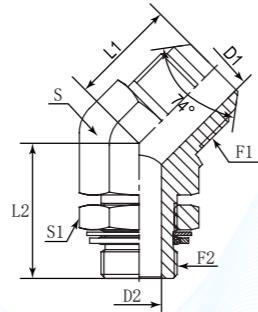


## DAJCM406Q

45° Adjustable Elbow JIC Male - BSPP Male + O Ring + Retaining Ring



- DME&JDE Code:** DAJCM406Q
- Product Type:** Hydraulic adaptor
- Standard:** JIC and SAE-ORB
- Structure:** 45° Elbow
- Connection Type:** Adjustable Male × Male
- Thread Types:** UNF × BSPP
- Sealing Method:** O Ring + Retaining Ring

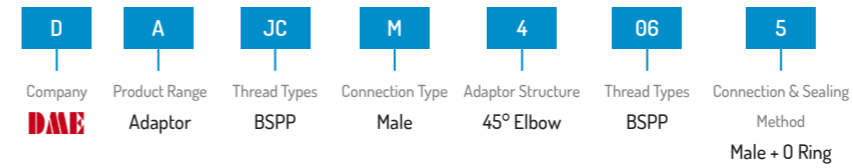


PART NUMBER	F1 (Thread)	F2 (Thread)	D1	D2	L1	L2	S	S1
#	UNF	BSPP	mm	mm	mm	mm	mm	mm
DAJCM406Q-0402	7/16"-20	1/8"-28	4.37	4.40	18.00	26.50	11	14
DAJCM406Q-0404	7/16"-20	1/4"-19	4.37	7.50	21.00	29.00	14	19
DAJCM406Q-0406	7/16"-20	3/8"-19	4.37	9.90	22.00	33.00	19	22
DAJCM406Q-0502	1/2"-20	1/8"-28	5.94	4.40	20.00	27.00	14	14
DAJCM406Q-0504	1/2"-20	1/4"-19	5.94	7.50	21.00	29.00	14	19
DAJCM406Q-0604	9/16"-18	1/4"-19	7.54	7.50	21.00	29.00	14	19
DAJCM406Q-0606	9/16"-18	3/8"-19	7.54	9.90	22.00	33.00	19	22
DAJCM406Q-0608	9/16"-18	1/2"-14	7.54	12.30	22.00	38.50	22	27
DAJCM406Q-0804	3/4"-16	1/4"-19	9.93	7.50	25.00	30.50	19	19
DAJCM406Q-0806	3/4"-16	3/8"-19	9.93	9.90	25.00	33.00	19	22
DAJCM406Q-0808	3/4"-16	1/2"-14	9.93	12.30	25.50	38.50	22	27
DAJCM406Q-0812	3/4"-16	3/4"-14	9.93	15.50	26.50	44.00	27	36
DAJCM406Q-1006	7/8"-14	3/8"-19	12.29	9.90	28.00	35.00	22	22
DAJCM406Q-1008	7/8"-14	1/2"-14	12.29	12.30	28.00	38.50	22	27
DAJCM406Q-1010	7/8"-14	5/8"-14	12.29	14.00	28.00	40.00	27	32
DAJCM406Q-1012	7/8"-14	3/4"-14	12.29	15.50	30.00	44.00	27	36
DAJCM406Q-1208	1-1/16"-12	1/2"-14	15.47	12.30	32.50	40.50	27	27
DAJCM406Q-1212	1-1/16"-12	3/4"-14	15.47	15.50	32.50	44.00	27	36
DAJCM406Q-1216	1-1/16"-12	1"-11	15.47	21.50	35.80	47.00	33	41
DAJCM406Q-1612	1-5/16"-12	3/4"-14	21.44	15.50	37.00	47.00	36	36
DAJCM406Q-1616	1-5/16"-12	1"-11	21.44	21.50	37.00	47.00	33	41
DAJCM406Q-2016	1-5/8"-12	1"-11	27.38	21.50	40.50	48.50	41	41
DAJCM406Q-2020	1-5/8"-12	1-1/4"-11	27.38	27.50	40.50	48.50	41	50
DAJCM406Q-2424	1-7/8"-12	1-1/2"-11	33.32	33.00	45.00	49.00	48	55

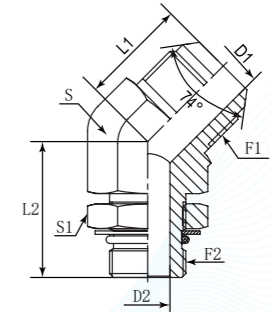


## DAJCM406S

45° Adjustable Elbow JIC Male - BSPP Male + O Ring



- DME&JDE Code:** DAJCM406S
- Product Type:** Hydraulic adaptor
- Standard:** JIC and SAE-ORB
- Structure:** 45° Elbow
- Connection Type:** Adjustable Male × Male
- Thread Types:** UNF × BSPP 60°
- Sealing Method:** O Ring



PART NUMBER	F1 (Thread)	F2 (Thread)	D1	D2	L1	L2	S	S1
#	UNF	BSPP	mm	mm	mm	mm	mm	mm
DAJCM406S-0402	7/16"-20	1/8"-28	4.37	4.40	18.00	26.50	11	14
DAJCM406S-0404	7/16"-20	1/4"-19	4.37	7.50	21.00	29.00	14	19
DAJCM406S-0406	7/16"-20	3/8"-19	4.37	9.90	22.00	33.00	19	22
DAJCM406S-0502	1/2"-20	1/8"-28	5.94	4.40	20.00	27.00	14	14
DAJCM406S-0504	1/2"-20	1/4"-19	5.94	7.50	21.00	29.00	14	19
DAJCM406S-0604	9/16"-18	1/4"-19	7.54	7.50	21.00	29.00	14	19
DAJCM406S-0606	9/16"-18	3/8"-19	7.54	9.90	22.00	33.00	19	22
DAJCM406S-0608	9/16"-18	1/2"-14	7.54	12.30	22.00	38.50	22	27
DAJCM406S-0804	3/4"-16	1/4"-19	9.93	7.50	25.00	30.50	19	19
DAJCM406S-0806	3/4"-16	3/8"-19	9.93	9.90	25.00	33.00	19	22
DAJCM406S-0808	3/4"-16	1/2"-14	9.93	12.30	25.50	38.50	22	27
DAJCM406S-0812	3/4"-16	3/4"-14	9.93	15.50	26.50	44.00	27	36
DAJCM406S-1006	7/8"-14	3/8"-19	12.29	9.90	28.00	35.00	22	22
DAJCM406S-1008	7/8"-14	1/2"-14	12.29	12.30	28.00	38.50	22	27
DAJCM406S-1010	7/8"-14	5/8"-14	12.29	14.00	28.00	40.00	27	32
DAJCM406S-1012	7/8"-14	3/4"-14	12.29	15.50	30.00	44.00	27	36
DAJCM406S-1208	1-1/16"-12	1/2"-14	15.47	12.30	32.50	40.50	27	27
DAJCM406S-1212	1-1/16"-12	3/4"-14	15.47	15.50	32.50	44.00	27	36
DAJCM406S-1216	1-1/16"-12	1"-11	15.47	21.50	35.80	47.00	33	41
DAJCM406S-1612	1-5/16"-12	3/4"-14	21.44	15.50	37.00	47.00	36	36
DAJCM406S-1616	1-5/16"-12	1"-11	21.44	21.50	37.00	47.00	33	41
DAJCM406S-2016	1-5/8"-12	1"-11	27.38	21.50	40.50	48.50	41	41
DAJCM406S-2020	1-5/8"-12	1-1/4"-11	27.38	27.50	40.50	48.50	41	50
DAJCM406S-2424	1-7/8"-12	1-1/2"-11	33.32	33.00	45.00	49.00	48	55



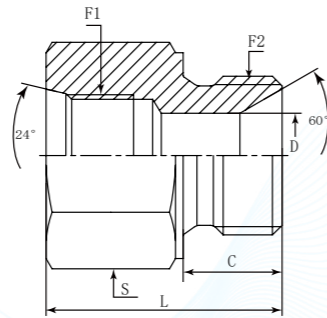
## DAUNF152M

Straight Connector SAE Female O Ring – Metric Male 60°



- D** Company: **DME**
- A** Product Range: **Adaptor**
- UN** Thread Types: **SAE UNF**
- F** Connection Type: **Female**
- 1** Adaptor Structure: **Straight**
- 52** Thread Types: **Metric**
- M** Connection Type: **Male**

- DME&JDE Code:** DAUNF152M
- Product Type:** Hydraulic adaptor
- Standard:** JIC and SAE-ORB
- Structure:** Straight
- Connection Type:** Female x Male
- Thread Types:** UNF x Metric
- Sealing Method:** O Ring + Retaining Ring



PART NUMBER	F1 (Thread)	F2(Thread)	C	D	L	S
#	UNF	METRIC	mm	mm	mm	mm
DAUNF152M-0408	7/16"-20	M8X1	8.50	3.00	28.50	17.46
DAUNF152M-0412	7/16"-20	M2X1	10.00	5.50	30.00	17.46
DAUNF152M-0614	9/16"-18	M14X1.5	12.00	6.00	35.00	20.64
DAUNF152M-0616	9/16"-18	M16X1.5	12.00	8.00	34.50	22
DAUNF152M-0622	9/16"-18	M22X1.5	14.00	14.10	29.00	27
DAUNF152M-0818	3/4"-16	M18X1.5	12.00	10.00	38.00	25.40
DAUNF152M-1022	7/8"-14	M22X1.5	14.00	14.10	41.00	28.58
DAUNF152M-1226	1-1/16"-12	M26X1.5	16.00	15.00	48.00	34.93
DAUNF152M-1227	1-1/16"-12	M27X2	16.00	15.00	48.00	34.93
DAUNF152M-1633	1-5/16"-12	M33X2	18.00	21.50	52.00	41.28

Web: <https://www.dmejde.com>  
E-mail: [info@dmejde.com](mailto:info@dmejde.com)



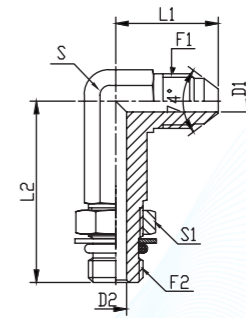
## DAJCM930P

90° Adjustable Long Elbow JIC Male – SAE Male + O Ring + Retaining Ring



- D** Company: **DME**
- A** Product Range: **Adaptor**
- JC** Thread Types: **JIC UNF**
- M** Connection Type: **Male**
- 9** Adaptor Structure: **90° Elbow**
- 30** Thread Types: **SAE UNF**
- P** Connection Type: **Male + O Ring + Retaining Ring**

- DME&JDE Code:** DAJCM930P
- Product Type:** Hydraulic adaptor
- Standard:** JIC and SAE-ORB
- Structure:** 90° Elbow
- Connection Type:** Adjustable Male x Female
- Thread Types:** UNF x UNF
- Other Features:** O Ring + Retaining Ring



PART NUMBER	F1 (Thread)	F2 (Thread)	D1	D2	L1	L2	S	S1	Hex
#	UNF	UNF	mm	mm	mm	mm	-	-	-
DAJCM930P-0404	7/16"-20	7/16"-20	4.37	4.37	22.60	30.20	11 mm	14 mm	Metric
DAJCM930P-0406	7/16"-20	9/16"-18	4.37	7.54	26.70	42.30	14 mm	19 mm	Metric
DAJCM930P-0404IN	7/16"-20	7/16"-20	4.37	4.37	22.60	30.20	7/16"	9/16"	Imperial
DAJCM930P-0406IN	7/16"-20	9/16"-18	4.37	7.54	26.70	42.30	9/16"	11/16"	Imperial
DAJCM930P-0606	9/16"-18	9/16"-18	7.54	7.54	26.90	42.30	14 mm	19 mm	Metric
DAJCM930P-0608	9/16"-18	3/4"-16	7.54	9.93	29.00	46.00	19 mm	22 mm	Metric
DAJCM930P-0606IN	9/16"-18	9/16"-18	7.54	7.54	26.90	42.30	9/16"	11/16"	Imperial
DAJCM930P-0608IN	9/16"-18	3/4"-16	7.54	9.93	29.00	46.00	3/4"	7/8"	Imperial
DAJCM930P-0806	3/4"-16	9/16"-18	9.93	7.54	31.80	44.50	19 mm	19 mm	Metric
DAJCM930P-0808	3/4"-16	3/4"-16	9.93	9.93	31.80	46.00	19 mm	22 mm	Metric
DAJCM930P-0810	3/4"-16	7/8"-14	9.93	12.29	33.80	54.10	22 mm	27 mm	Metric
DAJCM930P-0806IN	3/4"-16	9/16"-18	9.93	7.54	31.80	44.50	3/4"	11/16"	Imperial
DAJCM930P-0808IN	3/4"-16	3/4"-16	9.93	9.93	31.80	46.00	3/4"	7/8"	Imperial
DAJCM930P-0810IN	3/4"-16	7/8"-14	9.93	12.29	33.80	54.10	7/8"	1"	Imperial
DAJCM930P-1008	7/8"-14	3/4"-16	12.29	9.93	36.80	53.34	22 mm	22 mm	Metric
DAJCM930P-1010	7/8"-14	7/8"-14	12.29	12.29	36.80	54.90	22 mm	27 mm	Metric
DAJCM930P-1012	7/8"-14	1-1/16"-12	12.29	15.47	39.10	66.55	27 mm	32 mm	Metric
DAJCM930P-1008IN	7/8"-14	3/4"-16	12.29	9.93	36.80	53.34	7/8"	7/8"	Imperial
DAJCM930P-1010IN	7/8"-14	7/8"-14	12.29	12.29	36.80	54.90	7/8"	1"	Imperial
DAJCM930P-1012IN	7/8"-14	1-1/16"-12	12.29	15.47	39.10	66.55	1-1/16"	1-1/4"	Imperial
DAJCM930P-1210	1-1/16"-12	7/8"-14	15.47	12.29	42.20	62.74	27 mm	27 mm	Metric
DAJCM930P-1212	1-1/16"-12	1-1/16"-12	15.47	15.47	39.10	57.20	27 mm	32 mm	Metric
DAJCM930P-1210IN	1-1/16"-12	7/8"-14	15.47	12.29	42.20	62.74	1-1/16"	1"	Imperial
DAJCM930P-1212IN	1-1/16"-12	1-1/16"-12	15.47	15.47	39.10	57.20	1-1/16"	1-1/4"	Imperial
DAJCM930P-1612	1-5/16"-12	1-1/16"-12	21.44	15.47	42.20	62.70	33 mm	32 mm	Metric
DAJCM930P-1616	1-5/16"-12	1-5/16"-12	21.44	21.44	46.00	77.70	33 mm	41 mm	Metric
DAJCM930P-1612IN	1-5/16"-12	1-1/16"-12	21.44	15.47	42.20	62.70	1-5/16"	1-1/4"	Imperial
DAJCM930P-1616IN	1-5/16"-12	1-5/16"-12	21.44	21.44	46.00	77.70	1-5/16"	1-1/2"	Imperial
DAJCM930P-2020	1-5/8"-12	1-5/8"-12	27.38	27.38	52.30	88.30	41 mm	50 mm	Metric
DAJCM930P-2020IN	1-5/8"-12	1-5/8"-12	27.38	27.38	52.30	88.30	1-5/8"	1-7/8"	Imperial

Web: <https://www.dmejde.com>  
E-mail: [info@dmejde.com](mailto:info@dmejde.com)



## DAJCM452Q

45° Adjustable Elbow JIC Male – Metric Male + O Ring + Retaining Ring

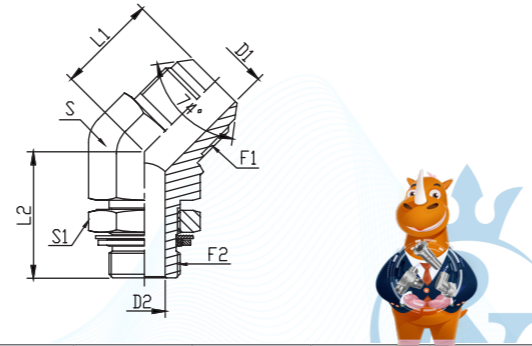
<b>D</b>	<b>A</b>	<b>JC</b>	<b>M</b>	<b>4</b>	<b>52</b>	<b>0</b>
Company	Product Range	Thread Types	Connection Type	Adaptor Structure	Thread Types	Connection Type
<b>DME</b>	Adaptor	JIC UNF	Male	45° Elbow	Metric	Male + O Ring + Retaining Ring

German Technology Equipment

**SHIELD FLEX**

New-Standard

- DME&JDE Code: **DAJCM452Q**
- Product Type: **Hydraulic adaptor**
- Standard: **JIC and SAE-ORB**
- Structure: **45° Elbow**
- Connection Type: **Adjustable Male × Male**
- Thread Types: **UNF × Metric**
- Sealing Method: **O Ring + Retaining Ring**



PART NUMBER	F1 (Thread)	F2 (Thread)	D1	D2	L1	L2	S	S1
#	UNF	Metric	mm	mm	mm	mm	mm	mm
DAJCM452Q-0410	7/16"-20	M10X1	4.37	3.00	18.00	26.50	11.11	14.00
DAJCM452Q-0412	7/16"-20	M12X1.5	4.37	4.00	21.00	29.00	14.00	17.00
DAJCM452Q-0614	9/16"-18	M14X1.5	7.54	7.50	21.50	28.00	14.00	19.00
DAJCM452Q-0616	9/16"-18	M16X1.5	7.54	7.00	22.00	33.00	19.00	22.00
DAJCM452Q-0816	3/4"-16	M16X1.5	9.93	9.00	25.00	33.00	19.00	22.00
DAJCM452Q-0818	3/4"-16	M18X1.5	9.93	9.00	25.00	33.00	19.05	24.00
DAJCM452Q-0822	3/4"-16	M22X1.5	9.93	12.00	27.00	38.00	22.00	27.00
DAJCM452Q-1018	7/8"-14	M18X1.5	12.29	10.50	28.50	34.50	22.00	24.00
DAJCM452Q-1022	7/8"-14	M22X1.5	12.29	12.00	28.50	38.00	22.00	27.00
DAJCM452Q-1222	1-1/16"-12	M22X1.5	15.47	14.00	33.00	41.50	27.00	27.00
DAJCM452Q-1227	1-1/16"-12	M27X2	15.47	15.00	32.50	44.00	27.00	32.00

## DAJCM4525

45° Adjustable Elbow JIC Male – Metric Male + O Ring

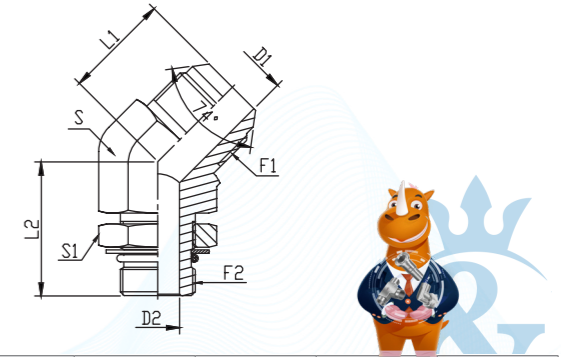
<b>D</b>	<b>A</b>	<b>JC</b>	<b>M</b>	<b>4</b>	<b>52</b>	<b>5</b>
Company	Product Range	Thread Types	Connection Type	Adaptor Structure	Thread Types	Connection Type
<b>DME</b>	Adaptor	JIC UNF	Male	45° Elbow	Metric	Male + O Ring

German Technology Equipment

**SHIELD FLEX**

New-Standard

- DME&JDE Code: **DAJCM4525**
- Product Type: **Hydraulic adaptor**
- Standard: **JIC and SAE-ORB**
- Structure: **45° Elbow**
- Connection Type: **Male × Male**
- Thread Types: **UNF × Metric**
- Sealing Method: **O Ring**

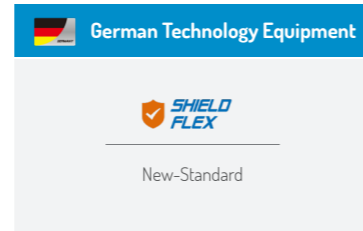
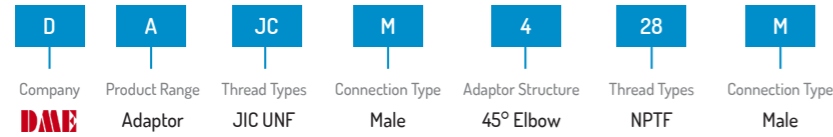


PART NUMBER	F1 (Thread)	F2 (Thread)	D1	D2	L1	L2	S	S1
#	UNF	Metric	mm	mm	mm	mm	mm	mm
DAJCM4525-0410	7/16"-20	M10X1	4.37	3.00	18.00	26.50	11.11	14.00
DAJCM4525-0412	7/16"-20	M12X1.5	4.37	4.00	21.00	29.00	14.00	17.00
DAJCM4525-0614	9/16"-18	M14X1.5	7.54	7.50	21.50	28.00	14.00	19.00
DAJCM4525-0616	9/16"-18	M16X1.5	7.54	7.00	22.00	33.00	19.00	22.00
DAJCM4525-0816	3/4"-16	M16X1.5	9.93	9.00	25.00	33.00	19.00	22.00
DAJCM4525-0818	3/4"-16	M18X1.5	9.93	9.00	25.00	33.00	19.05	24.00
DAJCM4525-0822	3/4"-16	M22X1.5	9.93	12.00	27.00	38.00	22.00	27.00
DAJCM4525-1018	7/8"-14	M18X1.5	12.29	10.50	28.50	34.50	22.00	24.00
DAJCM4525-1022	7/8"-14	M22X1.5	12.29	12.00	28.50	38.00	22.00	27.00
DAJCM4525-1222	1-1/16"-12	M22X1.5	15.47	14.00	33.00	41.50	27.00	27.00
DAJCM4525-1227	1-1/16"-12	M27X2	15.47	15.00	32.50	44.00	27.00	32.00

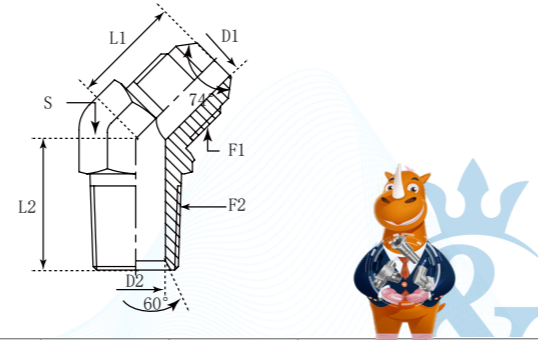


# DAJCM428M

45° Elbow Connector JIC Male – NPTF Male 60°



- DME&JDE Code:** DAJCM428M
- Product Type:** Hydraulic adaptor
- Standard:** JIC and SAE-ORB
- Structure:** 45° Elbow
- Connection Type:** Male x Male
- Thread Types:** UNF x NPTF 60°



PART NUMBER	F1 (Thread)	F2 (Thread)	L1	L2	D1	D2	S	Hex
#	UNF	NPTF	mm	mm	mm	mm	-	-
DAJCM428M-0202	5/16"-24	1/8"-27	17.53	13.2	1.57	4.78	11 mm	Metric
DAJCM428M-0202IN	5/16"-24	1/8"-27	17.53	13.2	1.57	4.78	7/16"	Imperial
DAJCM428M-0302	3/8"-24	1/8"-27	17.5	13.2	3.18	4.78	11 mm	Metric
DAJCM428M-0302IN	3/8"-24	1/8"-27	17.5	13.2	3.18	4.78	7/16"	Imperial
DAJCM428M-0402	7/16"-20	1/8"-27	18.28	16.3	4.37	4.78	11 mm	Metric
DAJCM428M-0404	7/16"-20	1/4"-18	20.8	21.8	4.37	7.14	14 mm	Metric
DAJCM428M-0406	7/16"-20	3/8"-18	21.6	24.1	4.37	10.31	19 mm	Metric
DAJCM428M-0408	7/16"-20	1/2"-14	22.1	29.7	4.37	13.49	22 mm	Metric
DAJCM428M-0402IN	7/16"-20	1/8"-27	18.28	16.3	4.37	4.78	7/16"	Imperial
DAJCM428M-0404IN	7/16"-20	1/4"-18	20.8	21.8	4.37	7.14	9/16"	Imperial
DAJCM428M-0406IN	7/16"-20	3/8"-18	21.6	24.1	4.37	10.31	3/4"	Imperial
DAJCM428M-0408IN	7/16"-20	1/2"-14	22.1	29.7	4.37	13.49	7/8"	Imperial
DAJCM428M-0502	1/2"-20	1/8"-27	19.56	16.26	5.94	4.78	14 mm	Metric
DAJCM428M-0504	1/2"-20	1/4"-18	20.8	21.8	5.94	7.14	14 mm	Metric
DAJCM428M-0506	1/2"-20	3/8"-18	21.59	24.13	5.94	10.31	19 mm	Metric
DAJCM428M-0508	1/2"-20	1/2"-14	24.5	29.7	5.94	13.49	22 mm	Metric
DAJCM428M-0502IN	1/2"-20	1/8"-27	19.56	16.26	5.94	4.78	9/16"	Imperial
DAJCM428M-0504IN	1/2"-20	1/4"-18	20.8	21.8	5.94	7.14	9/16"	Imperial
DAJCM428M-0506IN	1/2"-20	3/8"-18	21.59	24.13	5.94	10.31	3/4"	Imperial
DAJCM428M-0508IN	1/2"-20	1/2"-14	24.5	29.7	5.94	13.49	7/8"	Imperial
DAJCM428M-0602	9/16"-18	1/8"-27	21.1	17	7.54	4.78	14 mm	Metric
DAJCM428M-0604	9/16"-18	1/4"-18	21.1	21.8	7.54	7.14	14 mm	Metric
DAJCM428M-0606	9/16"-18	3/8"-18	22.1	24.1	7.54	10.31	19 mm	Metric
DAJCM428M-0608	9/16"-18	1/2"-14	22.35	29.7	7.54	13.49	22 mm	Metric
DAJCM428M-0612	9/16"-18	3/4"-14	24.9	30.5	7.54	18.26	27 mm	Metric
DAJCM428M-0602IN	9/16"-18	1/8"-27	21.1	17	7.54	4.78	9/16"	Imperial
DAJCM428M-0604IN	9/16"-18	1/4"-18	21.1	21.8	7.54	7.14	9/16"	Imperial
DAJCM428M-0606IN	9/16"-18	3/8"-18	22.1	24.1	7.54	10.31	3/4"	Imperial



DAJCM428M-0608IN	9/16"-18	1/2"-14	22.35	29.7	7.54	13.49	7/8"	Imperial
DAJCM428M-0612IN	9/16"-18	3/4"-14	24.9	30.5	7.54	18.26	1-1/16"	Imperial
DAJCM428M-0804	3/4"-16	1/4"-18	24.9	24.1	9.93	7.14	19 mm	Metric
DAJCM428M-0806	3/4"-16	3/8"-18	24.9	24.1	9.93	10.31	19 mm	Metric
DAJCM428M-0808	3/4"-16	1/2"-14	25.2	29.7	9.93	13.49	22 mm	Metric
DAJCM428M-0812	3/4"-16	3/4"-14	26.4	30.5	9.93	18.26	27 mm	Metric
DAJCM428M-0816	3/4"-16	1"-11-1/2	35	37.6	9.93	23.83	33 mm	Metric
DAJCM428M-0804IN	3/4"-16	1/4"-18	24.9	24.1	9.93	7.14	3/4"	Imperial
DAJCM428M-0806IN	3/4"-16	3/8"-18	24.9	24.1	9.93	10.31	3/4"	Imperial
DAJCM428M-0808IN	3/4"-16	1/2"-14	25.2	29.7	9.93	13.49	7/8"	Imperial
DAJCM428M-0812IN	3/4"-16	3/4"-14	26.4	30.5	9.93	18.26	1-1/16"	Imperial
DAJCM428M-0816IN	3/4"-16	1"-11-1/2	35	37.6	9.93	23.83	1-5/16"	Imperial
DAJCM428M-1004	7/8"-14	1/4"-18	28.2	24.9	12.29	7.14	22 mm	Metric
DAJCM428M-1006	7/8"-14	3/8"-18	28.2	24.9	12.29	10.31	22 mm	Metric
DAJCM428M-1008	7/8"-14	1/2"-14	28.2	29.7	12.29	13.49	22 mm	Metric
DAJCM428M-1012	7/8"-14	3/4"-14	29.5	30.5	12.29	18.26	27 mm	Metric
DAJCM428M-1004IN	7/8"-14	1/4"-18	28.2	24.9	12.29	7.14	7/8"	Imperial
DAJCM428M-1006IN	7/8"-14	3/8"-18	28.2	24.9	12.29	10.31	7/8"	Imperial
DAJCM428M-1008IN	7/8"-14	1/2"-14	28.2	29.7	12.29	13.49	7/8"	Imperial
DAJCM428M-1012IN	7/8"-14	3/4"-14	29.5	30.5	12.29	18.26	1-1/16"	Imperial
DAJCM428M-1206	1-1/16"-12	3/8"-18	32.5	28.5	15.47	10.31	27 mm	Metric
DAJCM428M-1208	1-1/16"-12	1/2"-14	32.5	30.5	15.47	13.49	27 mm	Metric
DAJCM428M-1212	1-1/16"-12	3/4"-14	32.5	30.5	15.47	18.26	27 mm	Metric
DAJCM428M-1216	1-1/16"-12	1"-11-1/2	36.1	37.6	15.47	23.83	33 mm	Metric
DAJCM428M-1206IN	1-1/16"-12	3/8"-18	32.5	28.5	15.47	10.31	1-1/16"	Imperial
DAJCM428M-1208IN	1-1/16"-12	1/2"-14	32.5	30.5	15.47	13.49	1-1/16"	Imperial
DAJCM428M-1212IN	1-1/16"-12	3/4"-14	32.5	30.5	15.47	18.26	1-1/16"	Imperial
DAJCM428M-1216IN	1-1/16"-12	1"-11-1/2	36.1	37.6	15.47	23.83	1-5/16"	Imperial
DAJCM428M-1412	1-3/16"-12	3/4"-14	36.8	33	18.26	18.26	33 mm	Metric
DAJCM428M-1412IN	1-3/16"-12	3/4"-14	36.8	33	18.26	18.26	1-5/16"	Imperial
DAJCM428M-1608	1-5/16"-12	1/2"-14	37.3	32.8	21.44	13.49	33 mm	Metric
DAJCM428M-1612	1-5/16"-12	3/4"-14	37.3	32.8	21.44	18.26	33 mm	Metric
DAJCM428M-1616	1-5/16"-12	1"-11-1/2	37.3	37.6	21.44	23.83	33 mm	Metric
DAJCM428M-1620	1-5/16"-12	1-1/4"-11-1/2	39.12	42.4	21.44	31.75	41 mm	Metric
DAJCM428M-1608IN	1-5/16"-12	1/2"-14	37.3	32.8	21.44	13.49	1-5/16"	Imperial
DAJCM428M-1612IN	1-5/16"-12	3/4"-14	37.3	32.8	21.44	18.26	1-5/16"	Imperial
DAJCM428M-1616IN	1-5/16"-12	1"-11-1/2	37.3	37.6	21.44	23.83	1-5/16"	Imperial
DAJCM428M-1620IN	1-5/16"-12	1-1/4"-11-1/2	39.12	42.4	21.44	31.75	1-5/8"	Imperial
DAJCM428M-2016	1-5/8"-12	1"-11-1/2	40.39	41.66	27.38	23.83	41 mm	Metric
DAJCM428M-2020	1-5/8"-12	1-1/4"-11-1/2	40.4	42.4	27.38	31.75	41 mm	Metric
DAJCM428M-2024	1-5/8"-12	1-1/2"-11-1/2	41.9	45	27.38	38.1	48 mm	Metric
DAJCM428M-2016IN	1-5/8"-12	1"-11-1/2	40.39	41.66	27.38	23.83	1-5/8"	Imperial
DAJCM428M-2020IN	1-5/8"-12	1-1/4"-11-1/2	40.4	42.4	27.38	31.75	1-5/8"	Imperial
DAJCM428M-2024IN	1-5/8"-12	1-1/2"-11-1/2	41.9	45	27.38	38.1	1-7/8"	Imperial
DAJCM428M-2420	1-7/8"-12	1-1/4"-11-1/2	45.21	44.2	33.32	31.75	48 mm	Metric
DAJCM428M-2424	1-7/8"-12	1-1/2"-11-1/2	45.2	45	33.32	38.1	48 mm	Metric
DAJCM428M-2420IN	1-7/8"-12	1-1/4"-11-1/2	45.21	44.2	33.32	31.75	1-7/8"	Imperial
DAJCM428M-2424IN	1-7/8"-12	1-1/2"-11-1/2	45.2	45	33.32	38.1	1-7/8"	Imperial
DAJCM428M-3232	2-1/2"-12	2"-11-1/2	56.4	53.6	45.24	49.23	65 mm	Metric
DAJCM428M-3232IN	2-1/2"-12	2"-11-1/2	56.4	53.6	45.24	49.23	2-1/2"	Imperial



## DAJCM407M

45° Elbow Connector JIC Male – BSPT Male 60°

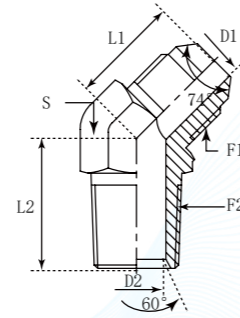
<b>D</b>	<b>A</b>	<b>JC</b>	<b>M</b>	<b>4</b>	<b>07</b>	<b>M</b>
Company	Product Range	Thread Types	Connection Type	Adaptor Structure	Thread Types	Connection Type
<b>DME</b>	Adaptor	JIC UNF	Male	45° Elbow	BSPT	Male

German Technology Equipment

**SHIELD FLEX**

New-Standard

- DME&JDE Code:** DAJCM407M
- Product Type:** Hydraulic adaptor
- Standard:** JIC and SAE-ORB
- Structure:** 45° Elbow
- Connection Type:** Male x Male
- Thread Types:** UNF x BSPT 60°



PART NUMBER	F1 (Thread)	F2 (Thread)	L1	L2	D1	D2	S	Hex
#	UNF	BSPP	mm	mm	mm	mm	mm	-
DAJCM407M-0402	7/16"-20	1/8"-28	19.6	16.3	4.37	4.5	11	Metric
DAJCM407M-0404	7/16"-20	1/4"-19	20.8	21.8	4.37	6	14	Metric
DAJCM407M-0406	7/16"-20	3/8"-19	21.6	24.1	4.37	9	19	Metric
DAJCM407M-0502	1/2"-20	1/8"-28	19.6	16.3	5.94	4.5	14	Metric
DAJCM407M-0504	1/2"-20	1/4"-19	20.83	21.84	5.94	6	14	Metric
DAJCM407M-0602	9/16"-18	1/8"-28	21.08	16.26	7.54	4.5	14	Metric
DAJCM407M-0604	9/16"-18	1/4"-19	21.1	21.8	7.54	6	14	Metric
DAJCM407M-0606	9/16"-18	3/8"-19	22.1	24.1	7.54	9	19	Metric
DAJCM407M-0608	9/16"-18	1/2"-14	24.89	29.72	7.54	12	22	Metric
DAJCM407M-0804	3/4"-16	1/4"-19	24.89	24.13	9.93	6	19	Metric
DAJCM407M-0806	3/4"-16	3/8"-19	24.9	24.1	9.93	9	19	Metric
DAJCM407M-0808	3/4"-16	1/2"-14	25.2	29.7	9.93	12	22	Metric
DAJCM407M-0812	3/4"-16	3/4"-14	28.19	30.48	9.93	16.7	27	Metric
DAJCM407M-1006	7/8"-14	3/8"-19	28.19	24.89	12.29	9	22	Metric
DAJCM407M-1008	7/8"-14	1/2"-14	28.2	29.7	12.29	12	22	Metric
DAJCM407M-1012	7/8"-14	3/4"-14	29.46	30.48	12.29	16.7	27	Metric
DAJCM407M-1208	1-1/16"-12	1/2"-14	32.51	30.48	15.47	12	27	Metric
DAJCM407M-1212	1-1/16"-12	3/4"-14	32.5	30.5	15.47	16.7	27	Metric
DAJCM407M-1216	1-1/16"-12	1"-11	36.1	37.6	15.47	22.2	33	Metric
DAJCM407M-1612	1-5/16"-12	3/4"-14	37.34	32.77	21.44	16.7	33	Metric
DAJCM407M-1616	1-5/16"-12	1"-11	37.3	37.6	21.44	22.2	33	Metric
DAJCM407M-2016	1-5/8"-12	1"-11	40.39	41.4	27.38	22.2	41	Metric
DAJCM407M-2020	1-5/8"-12	1-1/4"-11	40.39	42.42	27.38	28.6	41	Metric
DAJCM407M-2424	1-7/8"-12	1-1/2"-11	45.2	45	33.32	33.3	48	Metric



## DAJCM428F

45° Elbow Connector JIC Male – NPTF Female

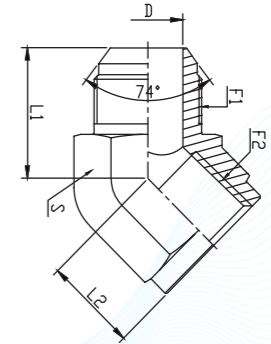
<b>D</b>	<b>A</b>	<b>JC</b>	<b>M</b>	<b>4</b>	<b>28</b>	<b>F</b>
Company	Product Range	Thread Types	Connection Type	Adaptor Structure	Thread Types	Connection Type
<b>DME</b>	Adaptor	JIC UNF	Male	45° Elbow	NPTF	Female

German Technology Equipment

**SHIELD FLEX**

New-Standard

- DME&JDE Code:** DAJCM428F
- Product Type:** Hydraulic adaptor
- Standard:** JIC and SAE-ORB
- Structure:** 45° Elbow
- Connection Type:** Male x Female
- Thread Types:** UNF x NPTF



PART NUMBER	F1 (Thread)	F2 (Thread)	D	L1	L2	S	Hex
#	UNF	NPTF	mm	mm	mm	mm	-
DAJCM428F-0402	7/16"-20	1/8"-27	4.37	21.08	12.7	14 mm	Metric
DAJCM428F-0404	7/16"-20	1/4"-18	4.37	21.60	15.80	19 mm	Metric
DAJCM428F-0402IN	7/16"-20	1/8"-27	4.37	21.08	12.7	9/16"	Imperial
DAJCM428F-0404IN	7/16"-20	1/4"-18	4.37	21.60	15.80	3/4"	Imperial
DAJCM428F-0604	9/16"-18	1/4"-18	7.54	22.10	17.53	19 mm	Metric
DAJCM428F-0606	9/16"-18	3/8"-18	7.54	22.35	19.05	22 mm	Metric
DAJCM428F-0604IN	9/16"-18	1/4"-18	7.54	22.10	17.53	3/4"	Imperial
DAJCM428F-0606IN	9/16"-18	3/8"-18	7.54	22.35	19.05	7/8"	Imperial
DAJCM428F-0806	3/4"-16	3/8"-18	9.93	25.15	19.05	22 mm	Metric
DAJCM428F-0808	3/4"-16	1/2"-14	9.93	26.40	23.90	27 mm	Metric
DAJCM428F-0806IN	3/4"-16	3/8"-18	9.93	25.15	19.05	7/8"	Imperial
DAJCM428F-0808IN	3/4"-16	1/2"-14	9.93	26.40	23.90	1-1/8"	Imperial
DAJCM428F-1008	7/8"-14	1/2"-14	12.29	32.50	23.10	27 mm	Metric
DAJCM428F-1008IN	7/8"-14	1/2"-14	12.29	32.50	23.10	1-1/8"	Imperial
DAJCM428F-1212	1-1/16"-12	3/4"-14	15.47	36.10	25.40	33 mm	Metric
DAJCM428F-1216	1-1/16"-12	1"-11-1/2	15.47	38.00	30.20	41 mm	Metric
DAJCM428F-1212IN	1-1/16"-12	3/4"-14	15.47	36.10	25.40	1-5/16"	Imperial
DAJCM428F-1216IN	1-1/16"-12	1"-11-1/2	15.47	38.00	30.20	1-1/2"	Imperial
DAJCM428F-1616	1-5/16"-12	1"-11-1/2	21.44	39.10	30.20	41 mm	Metric
DAJCM428F-1616IN	1-5/16"-12	1"-11-1/2	21.44	39.10	30.20	1-1/2"	Imperial



## DAJCM425T

45° Elbow Connector Bulkhead JIC Male – JIC Male

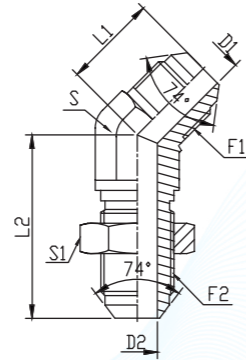
<b>D</b>	<b>A</b>	<b>JC</b>	<b>M</b>	<b>4</b>	<b>25</b>	<b>T</b>
Company	Product Range	Thread Types	Connection Type	Adaptor Structure	Thread Types	Connection Type
<b>DME</b>	Adaptor	JIC UNF	Male	45° Elbow	JIC UNF	Male + Bulkhead

German Technology Equipment

**SHIELD FLEX**

New-Standard

- DME&JDE Code: **DAJCM425T**
- Product Type: **Hydraulic adaptor**
- Standard: **JIC and SAE-ORB**
- Structure: **45° Elbow**
- Connection Type: **Male**
- Thread Types: **UNF x UNF**
- Other Features: **Bulkhead**



PART NUMBER	F1 (Thread)	F2 (Thread)	L1	L2	D1	D2	S	S1	Hex
#	UNF	UNF	mm	mm	mm	mm	-	-	-
DAJCM425T-0303	3/8"-24	3/8"-24	3.18	3.18	17.53	36.07	11 mm	16 mm	Metric
DAJCM425T-0303IN	3/8"-24	3/8"-24	3.18	3.18	17.53	36.07	7/16"	5/8"	Imperial
DAJCM425T-0404	7/16"-20	7/16"-20	4.37	4.37	18.29	38.86	11 mm	17 mm	Metric
DAJCM425T-0404IN	7/16"-20	7/16"-20	4.37	4.37	18.29	38.86	7/16"	11/16"	Imperial
DAJCM425T-0505	1/2"-20	1/2"-20	5.94	5.94	19.56	42.16	14 mm	19 mm	Metric
DAJCM425T-0505IN	1/2"-20	1/2"-20	5.94	5.94	19.56	42.16	9/16"	3/4"	Imperial
DAJCM425T-0606	9/16"-18	9/16"-18	7.54	7.54	21.08	42.42	14 mm	22 mm	Metric
DAJCM425T-0606IN	9/16"-18	9/16"-18	7.54	7.54	21.08	42.42	9/16"	13/16"	Imperial
DAJCM425T-0808	3/4"-16	3/4"-16	9.93	9.93	24.90	49.30	19 mm	24 mm	Metric
DAJCM425T-0808IN	3/4"-16	3/4"-16	9.93	9.93	24.90	49.30	3/4"	1"	Imperial
DAJCM425T-1010	7/8"-14	7/8"-14	12.29	12.29	28.20	55.10	22 mm	30 mm	Metric
DAJCM425T-1010IN	7/8"-14	7/8"-14	12.29	12.29	28.20	55.10	7/8"	1-1/8"	Imperial
DAJCM425T-1212	1-1/16"-12	1-1/16"-12	15.47	15.47	32.50	62.00	27 mm	36 mm	Metric
DAJCM425T-1212IN	1-1/16"-12	1-1/16"-12	15.47	15.47	32.50	62.00	1-1/16"	1-3/8"	Imperial
DAJCM425T-1616	1-5/16"-12	1-5/16"-12	21.44	21.44	37.34	65.02	33 mm	41 mm	Metric
DAJCM425T-1616IN	1-5/16"-12	1-5/16"-12	21.44	21.44	37.34	65.02	1-5/16"	1-5/8"	Imperial
DAJCM425T-2020	1-5/8"-12	1-5/8"-12	27.38	27.38	40.39	67.31	41 mm	50 mm	Metric
DAJCM425T-2020IN	1-5/8"-12	1-5/8"-12	27.38	27.38	40.39	67.31	1-5/8"	1-7/8"	Imperial
DAJCM425T-2424	1-7/8"-12	1-7/8"-12	33.32	33.32	45.21	67.82	48 mm	55 mm	Metric
DAJCM425T-2424IN	1-7/8"-12	1-7/8"-12	33.32	33.32	45.21	67.82	1-7/8"	2-1/8"	Imperial
DAJCM425T-3232	2-1/2"-12	2-1/2"-12	45.24	45.24	56.39	73.91	65 mm	70 mm	Metric
DAJCM425T-3232IN	2-1/2"-12	2-1/2"-12	45.24	45.24	56.39	73.91	2-1/2"	2-3/4"	Imperial

## DAJCM4251

45° Elbow Connector JIC Male – JIC Swivel Female

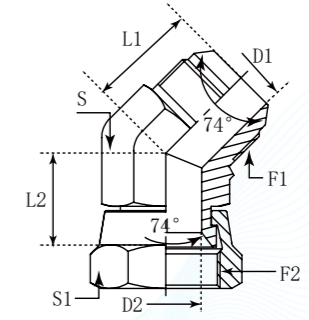
<b>D</b>	<b>A</b>	<b>JC</b>	<b>M</b>	<b>4</b>	<b>251</b>
Company	Product Range	Thread Types	Connection Type	Adaptor Structure	Connection Type
<b>DME</b>	Adaptor	JIC UNF	Male	45° Elbow	JIC Swivel Female

German Technology Equipment

**SHIELD FLEX**

New-Standard

- DME&JDE Code: **DAJCM4251**
- Product Type: **Hydraulic adaptor**
- Standard: **JIC and SAE-ORB**
- Structure: **45° Elbow**
- Connection Type: **Male x Swivel Female**
- Thread Types: **UNF x UNF**



PART NUMBER	F1 (Thread)	F2 (Thread)	L1	L2	D1	D2	S	S1	Hex
#	UNF	UNF	mm	mm	mm	mm	mm	mm	-
DAJCM4251-0202	5/16"-24	5/16"-24	17.50	15.95	1.57	1.57	11 mm	11 mm	Metric
DAJCM4251-0202IN	5/16"-24	5/16"-24	17.50	15.95	1.57	1.57	7/16"	7/16"	Imperial
DAJCM4251-0303	3/8"-24	3/8"-24	17.50	15.95	3.18	3.18	11 mm	12 mm	Metric
DAJCM4251-0303IN	3/8"-24	3/8"-24	17.50	15.95	3.18	3.18	7/16"	1/2"	Imperial
DAJCM4251-0404	7/16"-20	7/16"-20	18.30	14.98	4.37	4.37	11 mm	14 mm	Metric
DAJCM4251-0404IN	7/16"-20	7/16"-20	18.30	14.98	4.37	4.37	7/16"	9/16"	Imperial
DAJCM4251-0505	1/2"-20	1/2"-20	19.60	15.60	5.94	5.94	14 mm	17 mm	Metric
DAJCM4251-0505IN	1/2"-20	1/2"-20	19.60	15.60	5.94	5.94	9/16"	5/8"	Imperial
DAJCM4251-0606	9/16"-18	9/16"-18	21.10	18.92	7.54	7.54	14 mm	19 mm	Metric
DAJCM4251-0606IN	9/16"-18	9/16"-18	21.10	18.92	7.54	7.54	9/16"	11/16"	Imperial
DAJCM4251-0707	5/8"-18	5/8"-18	22.00	19.60	7.14	7.14	19 mm	19 mm	Metric
DAJCM4251-0707IN	5/8"-18	5/8"-18	22.00	19.60	7.14	7.14	3/4"	3/4"	Imperial
DAJCM4251-0806	3/4"-16	9/16"-18	24.89	20.50	9.93	7.54	19 mm	19 mm	Metric
DAJCM4251-0808	3/4"-16	3/4"-16	24.89	21.79	9.93	9.93	19 mm	22 mm	Metric
DAJCM4251-0806IN	3/4"-16	9/16"-18	24.89	20.50	9.93	7.54	3/4"	11/16"	Imperial
DAJCM4251-0808IN	3/4"-16	3/4"-16	24.89	21.79	9.93	9.93	3/4"	7/8"	Imperial
DAJCM4251-1008	7/8"-14	3/4"-16	28.20	23.11	12.29	9.93	22 mm	22 mm	Metric
DAJCM4251-1010	7/8"-14	7/8"-14	28.19	23.88	12.29	12.29	22 mm	27 mm	Metric
DAJCM4251-1008IN	7/8"-14	3/4"-16	28.20	23.11	12.29	9.93	7/8"	7/8"	Imperial
DAJCM4251-1010IN	7/8"-14	7/8"-14	28.19	23.88	12.29	12.29	7/8"	1"	Imperial
DAJCM4251-1212	1-1/16"-12	1-1/16"-12	32.51	23.88	15.47	15.47	27 mm	32 mm	Metric
DAJCM4251-1212IN	1-1/16"-12	1-1/16"-12	32.51	23.88	15.47	15.47	1-1/16"	1-1/4"	Imperial
DAJCM4251-1414	1-3/16"-12	1-3/16"-12	36.80	26.40	18.26	18.26	33 mm	36 mm	Metric
DAJCM4251-1414IN	1-3/16"-12	1-3/16"-12	36.80	26.40	18.26	18.26	1-5/16"	1-3/8"	Imperial
DAJCM4251-1616	1-5/16"-12	1-5/16"-12	37.34	29.36	21.44	21.44	33 mm	41 mm	Metric
DAJCM4251-1616IN	1-5/16"-12	1-5/16"-12	37.34	29.36	21.44	21.44	1-5/16"	1-1/2"	Imperial
DAJCM4251-2020	1-5/8"-12	1-5/8"-12	40.40	35.66	27.38	27.42	41 mm	50 mm	Metric
DAJCM4251-2020IN	1-5/8"-12	1-5/8"-12	40.40	35.66	27.38	27.42	1-5/8"	2"	Imperial
DAJCM4251-2424	1-7/8"-12	1-7/8"-12	45.20	38.50	33.32	33.32	48 mm	55 mm	Metric
DAJCM4251-2424IN	1-7/8"-12	1-7/8"-12	45.20	38.50	33.32	33.32	1-7/8"	2-1/4"	Imperial
DAJCM4251-3232	2-1/2"-12	2-1/2"-12	56.39	50.04	45.24	45.24	65 mm	75 mm	Metric
DAJCM4251-3232IN	2-1/2"-12	2-1/2"-12	56.39	50.04	45.24	45.24	2-1/2"	2-7/8"	Imperial





## DAJCM4081

45° Elbow Connector JIC Male – BSPP Swivel Female 60°

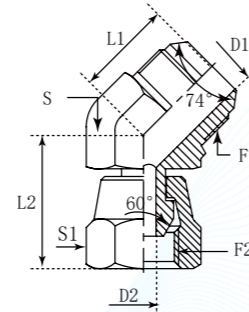
<b>D</b>	<b>A</b>	<b>JC</b>	<b>M</b>	<b>4</b>	<b>081</b>
Company	Product Range	Thread Types	Connection Type	Adaptor Structure	Connection Type
<b>DME</b>	Adaptor	JIC UNF	Male	45° Elbow	BSPP Swivel Female

German Technology Equipment

**SHIELD FLEX**

New-Standard

- DME&JDE Code: **DAJCM4081**
- Product Type: **Hydraulic adaptor**
- Standard: **JIC and SAE-ORB**
- Structure: **45° Elbow**
- Connection Type: **Male x Swivel Female**
- Thread Types: **UNF x BSPP 60°**



PART NUMBER	F1 (Thread)	F2 (Thread)	D1	D2	L1	L2	S	S1
#	UNF	BSPP	mm	mm	mm	mm	mm	mm
DAJCM4081-0404	7/16"-20	1/4"-19	4.37	4.37	20.00	20.00	11.00	19.00
DAJCM4081-0606	9/16"-18	3/8"-19	7.54	7.54	24.00	24.00	19.00	22.00
DAJCM4081-0808	3/4"-16	1/2"-14	9.90	11.10	30.00	30.00	19.00	27.00
DAJCM4081-1212	1-1/16"-12	3/4"-14	15.47	16.70	38.00	38.00	27.00	32.00
DAJCM4081-1616	1-5/16"-12	1"-11	21.44	21.44	42.00	42.00	33.00	41.00

## DAJC14305

45° Adjustable Elbow JIC Swivel Female – SAE Male O Ring

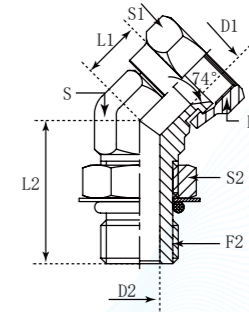
<b>D</b>	<b>A</b>	<b>JC</b>	<b>1</b>	<b>4</b>	<b>30</b>	<b>5</b>
Company	Product Range	Thread Types	Connection Type	Adaptor Structure	Thread Types	Connection Type
<b>DME</b>	Adaptor	JIC UNF	Swivel Female	45° Elbow	SAE UNF	Male O Ring

German Technology Equipment

**SHIELD FLEX**

New-Standard

- DME&JDE Code: **DAJC14305**
- Product Type: **Hydraulic adaptor**
- Standard: **JIC and SAE-ORB**
- Structure: **45° Elbow**
- Connection Type: **Adjustable Swivel Female x Male**
- Thread Types: **UNF x UNF**
- Sealing Method: **O Ring**



PART NUMBER	F1 (Thread)	F2 (Thread)	L1	L2	D1	D2	S	S1	S1	Hex
#	UNF	UNF	mm	mm	mm	mm	mm	mm	mm	-
DAJC14305-0404	7/16"-20	7/16"-20	26.70	14.98	4.37	4.37	11 mm	14 mm	14 mm	Metric
DAJC14305-0404IN	7/16"-20	7/16"-20	26.70	14.98	4.37	4.37	7/16"	9/16"	9/16"	Imperial
DAJC14305-0606	9/16"-18	9/16"-18	29.00	18.90	7.54	7.54	14 mm	17 mm	17 mm	Metric
DAJC14305-0606IN	9/16"-18	9/16"-18	29.00	18.90	7.54	7.54	9/16"	11/16"	11/16"	Imperial
DAJC14305-0808	3/4"-16	3/4"-16	33.00	21.80	9.93	9.93	19 mm	22 mm	22 mm	Metric
DAJC14305-0808IN	3/4"-16	3/4"-16	33.00	21.80	9.93	9.93	3/4"	7/8"	7/8"	Imperial
DAJC14305-1212	1-1/16"-12	1-1/16"-12	43.90	23.90	15.47	15.47	27 mm	32 mm	32 mm	Metric
DAJC14305-1212IN	1-1/16"-12	1-1/16"-12	43.90	23.90	15.47	15.47	1-1/16"	1-1/4"	1-1/4"	Imperial
DAJC14305-1616	1-5/16"-12	1-5/16"-12	47.20	29.36	21.44	21.44	33 mm	41 mm	41 mm	Metric
DAJC14305-1616IN	1-5/16"-12	1-5/16"-12	47.20	29.36	21.44	21.44	1-5/16"	1-1/2"	1-1/2"	Imperial
DAJC14305-2020	1-5/8"-12	1-5/8"-12	48.50	35.66	27.38	27.42	41 mm	50 mm	50 mm	Metric
DAJC14305-2020IN	1-5/8"-12	1-5/8"-12	48.50	35.66	27.38	27.42	1-5/8"	1-7/8"	1-7/8"	Imperial



## DAJCM9251

45° Elbow Connector JIC Swivel Female – JIC Swivel Female

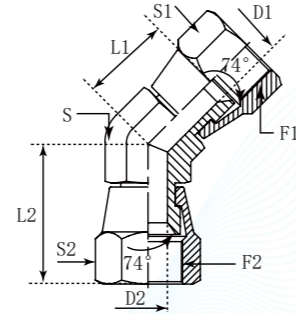
<b>D</b>	<b>A</b>	<b>JC</b>	<b>1</b>	<b>4</b>	<b>251</b>
Company	Product Range	Thread Types	Connection Type	Adaptor Structure	Connection Type
<b>DME</b>	Adaptor	JIC UNF	Swivel Female	45° Elbow	JIC Swivel Female

German Technology Equipment

SHIELD FLEX

New-Standard

- DME&JDE Code:** DAJCM9251
- Product Type:** Hydraulic adaptor
- Standard:** JIC and SAE-ORB
- Structure:** 45° Elbow
- Connection Type:** Swivel Female x Swivel Female
- Thread Types:** UNF x UNF



PART NUMBER	F1 (Thread)	F2 (Thread)	C	L	D1	D2	S	S1	S2	Hex
#	UNF	UNF	mm	mm	mm	mm	-	-	-	-
DAJCM9251-0606	9/16"-18	9/16"-18	7.50	7.50	18.90	18.90	14 mm	19 mm	19 mm	Metric
DAJCM9251-0606IN	9/16"-18	9/16"-18	7.50	7.50	18.90	18.90	9/16"	3/4"	3/4"	Imperial
DAJCM9251-0808	3/4"-16	3/4"-16	9.90	9.90	21.80	21.80	19 mm	22 mm	22 mm	Metric
DAJCM9251-0808IN	3/4"-16	3/4"-16	9.90	9.90	21.80	21.80	3/4"	13/16"	13/16"	Imperial
DAJCM9251-1010	7/8"-14	7/8"-14	12.30	12.30	23.90	23.90	22 mm	27 mm	27 mm	Metric
DAJCM9251-1010IN	7/8"-14	7/8"-14	12.30	12.30	23.90	23.90	13/16"	1-1/8"	1-1/8"	Imperial
DAJCM9251-1212	1-1/16"-12	1-1/16"-12	15.47	15.47	23.90	23.90	27 mm	32 mm	32 mm	Metric
DAJCM9251-1212IN	1-1/16"-12	1-1/16"-12	15.47	15.47	23.90	23.90	1-1/8"	1-1/4"	1-1/4"	Imperial
DAJCM9251-1616	1-5/16"-12	1-5/16"-12	21.50	21.50	29.30	29.30	33 mm	41 mm	41 mm	Metric
DAJCM9251-1616IN	1-5/16"-12	1-5/16"-12	21.50	21.50	29.30	29.30	1-5/16"	1-1/2"	1-1/2"	Imperial

## DAJCM925M

90° Elbow Connector JIC Male – JIC Male

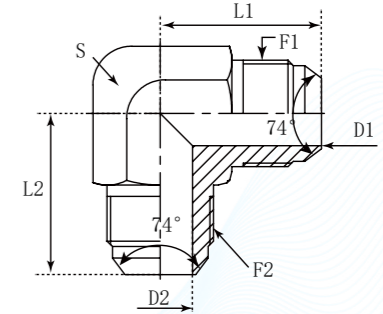
<b>D</b>	<b>A</b>	<b>JC</b>	<b>M</b>	<b>9</b>	<b>25</b>	<b>M</b>
Company	Product Range	Thread Types	Connection Type	Adaptor Structure	Connection Type	Connection Type
<b>DME</b>	Adaptor	JIC UNF	Male	90° Elbow	JIC UNF	Male

German Technology Equipment

SHIELD FLEX

New-Standard

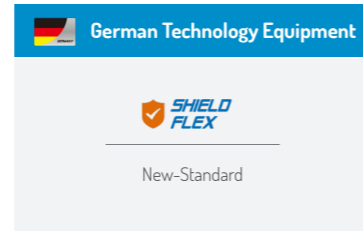
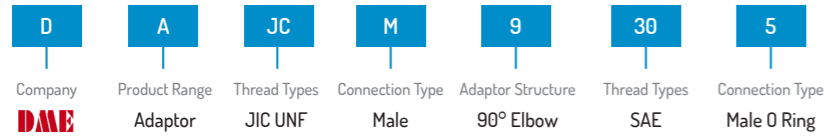
- DME&JDE Code:** DAJCM925M
- Product Type:** Hydraulic adaptor
- Standard:** JIC and SAE-ORB
- Structure:** 90° Elbow
- Connection Type:** Male x Male
- Thread Types:** UNF x UNF



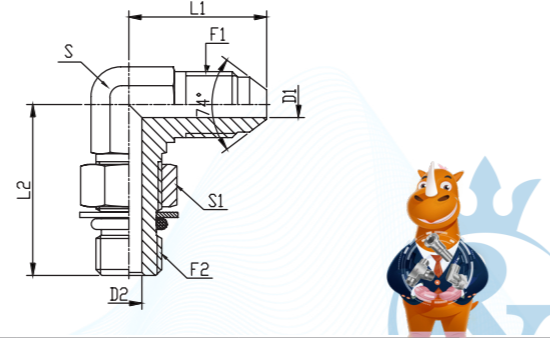
PART NUMBER	F1 (Thread)	F2 (Thread)	L1	L2	D1	D2	S	Hex
#	UNF	UNF	mm	mm	mm	mm	mm	-
DAJCM925M-0202	5/16"-24	5/16"-24	19.60	19.60	1.57	1.57	11 mm	Metric
DAJCM925M-0202IN	5/16"-24	5/16"-24	19.60	19.60	1.57	1.57	7/16"	Imperial
DAJCM925M-0303	3/8"-24	3/8"-24	21.10	21.10	3.18	3.18	11 mm	Metric
DAJCM925M-0303IN	3/8"-24	3/8"-24	21.10	21.10	3.18	3.18	7/16"	Imperial
DAJCM925M-0404	7/16"-20	7/16"-20	22.61	22.61	4.37	4.37	11 mm	Metric
DAJCM925M-0404IN	7/16"-20	7/16"-20	22.61	22.61	4.37	4.37	7/16"	Imperial
DAJCM925M-0504	1/2"-20	7/16"-20	24.10	24.10	5.94	4.37	14 mm	Metric
DAJCM925M-0505	1/2"-20	1/2"-20	24.10	24.10	5.94	5.94	14 mm	Metric
DAJCM925M-0504IN	1/2"-20	7/16"-20	24.10	24.10	5.94	4.37	9/16"	Imperial
DAJCM925M-0505IN	1/2"-20	1/2"-20	24.10	24.10	5.94	5.94	9/16"	Imperial
DAJCM925M-0604	9/16"-18	7/16"-20	26.90	26.70	7.54	4.37	14 mm	Metric
DAJCM925M-0605	9/16"-18	1/2"-20	26.90	26.70	7.54	5.94	14 mm	Metric
DAJCM925M-0606	9/16"-18	9/16"-18	26.92	26.92	7.54	7.54	14 mm	Metric
DAJCM925M-0604IN	9/16"-18	7/16"-20	26.90	26.70	7.54	4.37	9/16"	Imperial
DAJCM925M-0605IN	9/16"-18	1/2"-20	26.90	26.70	7.54	5.94	9/16"	Imperial
DAJCM925M-0606IN	9/16"-18	9/16"-18	26.92	26.92	7.54	7.54	9/16"	Imperial
DAJCM925M-0806	3/4"-16	9/16"-18	31.80	29.00	9.93	7.54	19 mm	Metric
DAJCM925M-0808	3/4"-16	3/4"-16	31.80	31.80	9.93	9.93	19 mm	Metric
DAJCM925M-0806IN	3/4"-16	9/16"-18	31.80	29.00	9.93	7.54	3/4"	Imperial
DAJCM925M-0808IN	3/4"-16	3/4"-16	31.80	31.80	9.93	9.93	3/4"	Imperial
DAJCM925M-1008	7/8"-14	3/4"-16	36.80	33.80	12.29	9.93	22 mm	Metric
DAJCM925M-1010	7/8"-14	7/8"-14	36.80	36.80	12.29	12.29	22 mm	Metric
DAJCM925M-1008IN	7/8"-14	3/4"-16	36.80	33.80	12.29	9.93	7/8"	Imperial
DAJCM925M-1010IN	7/8"-14	7/8"-14	36.80	36.80	12.29	12.29	7/8"	Imperial
DAJCM925M-1208	1-1/16"-12	3/4"-16	42.20	36.10	15.47	9.93	27 mm	Metric
DAJCM925M-1210	1-1/16"-12	7/8"-14	42.16	39.12	15.47	12.29	27 mm	Metric
DAJCM925M-1212	1-1/16"-12	1-1/16"-12	42.20	42.20	15.47	15.47	27 mm	Metric
DAJCM925M-1208IN	1-1/16"-12	3/4"-16	42.20	36.10	15.47	9.93	1-1/16"	Imperial
DAJCM925M-1210IN	1-1/16"-12	7/8"-14	42.16	39.12	15.47	12.29	1-1/16"	Imperial
DAJCM925M-1212IN	1-1/16"-12	1-1/16"-12	42.20	42.20	15.47	15.47	1-1/16"	Imperial
DAJCM925M-1414	1-3/16"-12	1-3/16"-12	45.70	45.70	18.26	18.26	33 mm	Metric
DAJCM925M-1414IN	1-3/16"-12	1-3/16"-12	45.70	45.70	18.26	18.26	1-5/16"	Imperial
DAJCM925M-1612	1-5/16"-12	1-1/16"-12	46.00	44.70	21.44	15.47	33 mm	Metric
DAJCM925M-1616	1-5/16"-12	1-5/16"-12	46.00	46.00	21.44	21.44	33 mm	Metric
DAJCM925M-1612IN	1-5/16"-12	1-1/16"-12	46.00	44.70	21.44	15.47	1-5/16"	Imperial
DAJCM925M-1616IN	1-5/16"-12	1-5/16"-12	46.00	46.00	21.44	21.44	1-5/16"	Imperial
DAJCM925M-2016	1-5/8"-12	1-5/16"-12	52.30	51.00	27.38	21.44	41 mm	Metric
DAJCM925M-2020	1-5/8"-12	1-5/8"-12	52.30	52.30	27.38	27.38	41 mm	Metric
DAJCM925M-2016IN	1-5/8"-12	1-5/16"-12	52.30	51.00	27.38	21.44	1-5/8"	Imperial
DAJCM925M-2020IN	1-5/8"-12	1-5/8"-12	52.30	52.30	27.38	27.38	1-5/8"	Imperial
DAJCM925M-2424	1-7/8"-12	1-7/8"-12	59.20	59.20	33.32	33.32	48 mm	Metric
DAJCM925M-2424IN	1-7/8"-12	1-7/8"-12	59.20	59.20	33.32	33.32	1-7/8"	Imperial
DAJCM925M-3232	2-1/2"-12	2-1/2"-12	77.70	77.70	45.24	45.24	65 mm	Metric
DAJCM925M-3232IN	2-1/2"-12	2-1/2"-12	77.70	77.70	45.24	45.24	2-1/2"	Imperial

# DAJCM9305

90° Adjustable Elbow JIC Male – SAE Male + O Ring



- DME&JDE Code: **DAJCM9305**
- Product Type: **Hydraulic adaptor**
- Standard: **JIC and SAE-ORB**
- Structure: **90° Elbow**
- Connection Type: **Adjustable Male × Male**
- Thread Types: **UNF × UNF**
- Sealing Method: **O Ring**



PART NUMBER	F1 (Thread)	F2 (Thread)	L1	L2	D1	D2	S	S1	Hex
#	UNF	UNF	mm	mm	mm	mm	-	-	-
DAJCM9305-0202	5/16"-24	5/16"-24	19.60	23.90	1.57	1.57	11 mm	11 mm	Metric
DAJCM9305-0204	5/16"-24	7/16"-20	19.80	26.20	1.57	4.37	11 mm	14 mm	Metric
DAJCM9305-0202IN	5/16"-24	5/16"-24	19.60	23.90	1.57	1.57	7/16"	7/16"	Imperial
DAJCM9305-0204IN	5/16"-24	7/16"-20	19.80	26.20	1.57	4.37	7/16"	9/16"	Imperial
DAJCM9305-0302	3/8"-24	5/16"-20	21.10	23.90	3.18	1.57	11 mm	11 mm	Metric
DAJCM9305-0303	3/8"-24	3/8"-24	21.10	23.90	3.18	3.18	11 mm	12 mm	Metric
DAJCM9305-0304	3/8"-24	7/16"-20	21.10	26.20	3.18	4.37	11 mm	14 mm	Metric
DAJCM9305-0306	3/8"-24	9/16"-18	24.70	31.80	3.18	7.54	14 mm	19 mm	Metric
DAJCM9305-0302IN	3/8"-24	5/16"-20	21.10	23.90	3.18	1.57	7/16"	7/16"	Imperial
DAJCM9305-0303IN	3/8"-24	3/8"-24	21.10	23.90	3.18	3.18	7/16"	1/2"	Imperial
DAJCM9305-0304IN	3/8"-24	7/16"-20	21.10	26.20	3.18	4.37	7/16"	9/16"	Imperial
DAJCM9305-0306IN	3/8"-24	9/16"-18	24.70	31.80	3.18	7.54	9/16"	11/16"	Imperial
DAJCM9305-0402	7/16"-20	5/16"-24	22.61	23.37	4.37	1.57	11 mm	11 mm	Metric
DAJCM9305-0403	7/16"-20	3/8"-24	22.60	23.90	4.37	3.18	11 mm	12 mm	Metric
DAJCM9305-0404	7/16"-20	7/16"-20	22.60	26.16	4.37	4.37	11 mm	14 mm	Metric
DAJCM9305-0405	7/16"-20	1/2"-20	24.10	28.70	4.37	5.94	14 mm	17 mm	Metric
DAJCM9305-0406	7/16"-20	9/16"-18	26.70	31.75	4.37	7.54	14 mm	19 mm	Metric
DAJCM9305-0408	7/16"-20	3/4"-16	28.50	36.80	4.37	9.93	19 mm	22 mm	Metric
DAJCM9305-0410	7/16"-20	7/8"-14	31.00	43.20	4.37	12.29	22 mm	27 mm	Metric
DAJCM9305-0412	7/16"-20	1-1/16"-12	33.02	49.28	4.37	15.47	27 mm	32 mm	Metric
DAJCM9305-0402IN	7/16"-20	5/16"-24	22.61	23.37	4.37	1.57	7/16"	7/16"	Imperial
DAJCM9305-0403IN	7/16"-20	3/8"-24	22.60	23.90	4.37	3.18	7/16"	1/2"	Imperial
DAJCM9305-0404IN	7/16"-20	7/16"-20	22.60	26.16	4.37	4.37	7/16"	9/16"	Imperial
DAJCM9305-0405IN	7/16"-20	1/2"-20	24.10	28.70	4.37	5.94	9/16"	5/8"	Imperial
DAJCM9305-0406IN	7/16"-20	9/16"-18	26.70	31.75	4.37	7.54	9/16"	11/16"	Imperial
DAJCM9305-0408IN	7/16"-20	3/4"-16	28.50	36.80	4.37	9.93	3/4"	7/8"	Imperial
DAJCM9305-0410IN	7/16"-20	7/8"-14	31.00	43.20	4.37	12.29	7/8"	1"	Imperial
DAJCM9305-0412IN	7/16"-20	1-1/16"-12	33.02	49.28	4.37	15.47	1-1/16"	1-1/4"	Imperial
DAJCM9305-0504	1/2"-20	7/16"-20	24.10	28.70	5.94	4.37	14 mm	14 mm	Metric

DAJCM9305-0505	1/2"-20	1/2"-20	24.10	28.70	5.94	5.94	14 mm	17 mm	Metric
DAJCM9305-0506	1/2"-20	9/16"-18	26.70	31.75	5.94	7.54	14 mm	19 mm	Metric
DAJCM9305-0508	1/2"-20	3/4"-16	28.50	36.80	5.94	9.93	19 mm	22 mm	Metric
DAJCM9305-0504IN	1/2"-20	7/16"-20	24.10	28.70	5.94	4.37	9/16"	9/16"	Imperial
DAJCM9305-0505IN	1/2"-20	1/2"-20	24.10	28.70	5.94	5.94	9/16"	5/8"	Imperial
DAJCM9305-0506IN	1/2"-20	9/16"-18	26.70	31.75	5.94	7.54	9/16"	11/16"	Imperial
DAJCM9305-0508IN	1/2"-20	3/4"-16	28.50	36.80	5.94	9.93	3/4"	7/8"	Imperial
DAJCM9305-0604	9/16"-18	7/16"-20	26.90	30.20	7.54	4.37	14 mm	14 mm	Metric
DAJCM9305-0605	9/16"-18	1/2"-20	26.90	30.20	7.54	5.94	14 mm	17 mm	Metric
DAJCM9305-0606	9/16"-18	9/16"-18	26.92	31.80	7.54	7.54	14 mm	19 mm	Metric
DAJCM9305-0608	9/16"-18	3/4"-16	28.96	36.83	7.54	9.93	19 mm	22 mm	Metric
DAJCM9305-0610	9/16"-18	7/8"-14	31.00	43.20	7.54	12.29	22 mm	27 mm	Metric
DAJCM9305-0612	9/16"-18	1-1/16"-12	33.30	49.28	7.54	15.47	27 mm	32 mm	Metric
DAJCM9305-0604IN	9/16"-18	7/16"-20	26.90	30.20	7.54	4.37	9/16"	9/16"	Imperial
DAJCM9305-0605IN	9/16"-18	1/2"-20	26.90	30.20	7.54	5.94	9/16"	5/8"	Imperial
DAJCM9305-0606IN	9/16"-18	9/16"-18	26.92	31.80	7.54	7.54	9/16"	11/16"	Imperial
DAJCM9305-0608IN	9/16"-18	3/4"-16	28.96	36.83	7.54	9.93	3/4"	7/8"	Imperial
DAJCM9305-0610IN	9/16"-18	7/8"-14	31.00	43.20	7.54	12.29	7/8"	1"	Imperial
DAJCM9305-0612IN	9/16"-18	1-1/16"-12	33.30	49.28	7.54	15.47	1-1/16"	1-1/4"	Imperial
DAJCM9305-0804	3/4"-16	7/16"-20	31.80	32.00	9.93	4.37	19 mm	14 mm	Metric
DAJCM9305-0805	3/4"-16	1/2"-20	31.80	33.80	9.93	5.94	19 mm	17 mm	Metric
DAJCM9305-0806	3/4"-16	9/16"-18	31.80	33.80	9.93	7.54	19 mm	19 mm	Metric
DAJCM9305-0808	3/4"-16	3/4"-16	31.75	36.83	9.93	9.93	19 mm	22 mm	Metric
DAJCM9305-0810	3/4"-16	7/8"-14	33.80	43.20	9.93	12.29	22 mm	27 mm	Metric
DAJCM9305-0812	3/4"-16	1-1/16"-12	36.10	49.30	9.93	15.47	27 mm	32 mm	Metric
DAJCM9305-0816	3/4"-16	1-5/16"-12	38.60	52.10	9.93	21.44	33 mm	41 mm	Metric
DAJCM9305-0804IN	3/4"-16	7/16"-20	31.80	32.00	9.93	4.37	3/4"	9/16"	Imperial
DAJCM9305-0805IN	3/4"-16	1/2"-20	31.80	33.80	9.93	5.94	3/4"	5/8"	Imperial
DAJCM9305-0806IN	3/4"-16	9/16"-18	31.80	33.80	9.93	7.54	3/4"	11/16"	Imperial
DAJCM9305-0808IN	3/4"-16	3/4"-16	31.75	36.83	9.93	9.93	3/4"	7/8"	Imperial
DAJCM9305-0810IN	3/4"-16	7/8"-14	33.80	43.20	9.93	12.29	7/8"	1"	Imperial
DAJCM9305-0812IN	3/4"-16	1-1/16"-12	36.10	49.30	9.93	15.47	1-1/16"	1-1/4"	Imperial
DAJCM9305-0816IN	3/4"-16	1-5/16"-12	38.60	52.10	9.93	21.44	1-5/16"	1-1/2"	Imperial
DAJCM9305-1006	7/8"-14	9/16"-18	36.80	35.80	12.29	7.54	22 mm	19 mm	Metric
DAJCM9305-1008	7/8"-14	3/4"-16	36.83	39.12	12.29	9.93	22 mm	22 mm	Metric
DAJCM9305-1010	7/8"-14	7/8"-14	36.83	43.18	12.29	12.29	22 mm	27 mm	Metric
DAJCM9305-1012	7/8"-14	1-1/16"-12	39.10	49.30	12.29	15.47	27 mm	32 mm	Metric
DAJCM9305-1016	7/8"-14	1-5/16"-12	41.70	52.10	12.29	21.44	33 mm	41 mm	Metric
DAJCM9305-1006IN	7/8"-14	9/16"-18	36.80	35.80	12.29	7.54	7/8"	11/16"	Imperial
DAJCM9305-1008IN	7/8"-14	3/4"-16	36.83	39.12	12.29	9.93	7/8"	7/8"	Imperial
DAJCM9305-1010IN	7/8"-14	7/8"-14	36.83	43.18	12.29	12.29	7/8"	1"	Imperial
DAJCM9305-1012IN	7/8"-14	1-1/16"-12	39.10	49.30	12.29	15.47	1-1/16"	1-1/4"	Imperial
DAJCM9305-1016IN	7/8"-14	1-5/16"-12	41.70	52.10	12.29	21.44	1-5/16"	1-1/2"	Imperial
DAJCM9305-1206	1-1/16"-12	9/16"-18	42.16	37.85	15.47	7.54	27 mm	19 mm	Metric
DAJCM9305-1208	1-1/16"-12	3/4"-16	42.20	41.20	15.47	9.93	27 mm	22 mm	Metric
DAJCM9305-1210	1-1/16"-12	7/8"-14	42.20	45.20	15.47	12.29	27 mm	27 mm	Metric
DAJCM9305-1212	1-1/16"-12	1-1/16"-12	42.16	49.28	15.47	15.47	27 mm	32 mm	Metric
DAJCM9305-1214	1-1/16"-12	1-3/16"-12	45.00	50.80	15.47	18.26	33 mm	36 mm	Metric
DAJCM9305-1216	1-1/16"-12	1-5/16"-12	44.70	52.10	15.47	21.44	33 mm	41 mm	Metric
DAJCM9305-1220	1-1/16"-12	1-5/8"-12	50.00	57.20	15.47	27.38	41 mm	50 mm	Metric
DAJCM9305-1224	1-1/16"-12	1-7/8"-12	53.60	60.71	15.47	33.32	48 mm	55 mm	Metric
DAJCM9305-1206IN	1-1/16"-12	9/16"-18	42.16	37.85	15.47	7.54	1-1/16"	11/16"	Imperial





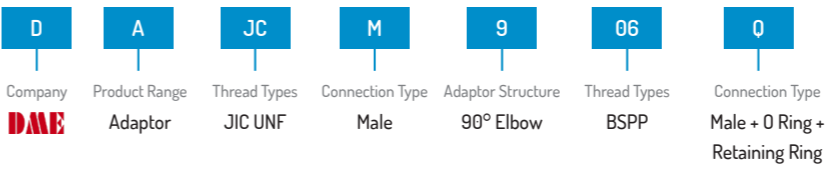
DAJCM9305-1208IN	1-1/16"-12	3/4"-16	42.20	41.20	15.47	9.93	1-1/16"	7/8"	Imperial
DAJCM9305-1210IN	1-1/16"-12	7/8"-14	42.20	45.20	15.47	12.29	1-1/16"	1"	Imperial
DAJCM9305-1212IN	1-1/16"-12	1-1/16"-12	42.16	49.28	15.47	15.47	1-1/16"	1-1/4"	Imperial
DAJCM9305-1214IN	1-1/16"-12	1-3/16"-12	45.00	50.80	15.47	18.26	1-5/16"	1-3/8"	Imperial
DAJCM9305-1216IN	1-1/16"-12	1-5/16"-12	44.70	52.10	15.47	21.44	1-5/16"	1-1/2"	Imperial
DAJCM9305-1220IN	1-1/16"-12	1-5/8"-12	50.00	57.20	15.47	27.38	1-5/8"	1-7/8"	Imperial
DAJCM9305-1224IN	1-1/16"-12	1-7/8"-12	53.60	60.71	15.47	33.32	1-7/8"	2-1/8"	Imperial
DAJCM9305-1412	1-3/16"-12	1-1/16"-12	45.70	50.80	18.26	15.47	33 mm	32 mm	Metric
DAJCM9305-1414	1-3/16"-12	1-3/16"-12	45.70	50.80	18.26	18.26	33 mm	36 mm	Metric
DAJCM9305-1416	1-3/16"-12	1-5/16"-12	45.50	52.10	18.26	21.44	33 mm	41 mm	Metric
DAJCM9305-1412IN	1-3/16"-12	1-1/16"-12	45.70	50.80	18.26	15.47	1-5/16"	1-1/4"	Imperial
DAJCM9305-1414IN	1-3/16"-12	1-3/16"-12	45.70	50.80	18.26	18.26	1-5/16"	1-3/8"	Imperial
DAJCM9305-1416IN	1-3/16"-12	1-5/16"-12	45.50	52.10	18.26	21.44	1-5/16"	1-1/2"	Imperial
DAJCM9305-1608	1-5/16"-12	3/4"-16	46.00	43.90	21.44	9.93	33 mm	22 mm	Metric
DAJCM9305-1610	1-5/16"-12	7/8"-14	46.00	48.00	21.44	12.29	33 mm	27 mm	Metric
DAJCM9305-1612	1-5/16"-12	1-1/16"-12	46.00	52.10	21.44	15.47	33 mm	32 mm	Metric
DAJCM9305-1614	1-5/16"-12	1-3/16"-12	46.00	52.00	21.44	18.26	33 mm	36 mm	Metric
DAJCM9305-1616	1-5/16"-12	1-5/16"-12	46.00	52.10	21.44	21.44	33 mm	41 mm	Metric
DAJCM9305-1620	1-5/16"-12	1-5/8"-12	51.10	57.20	21.44	27.38	41 mm	50 mm	Metric
DAJCM9305-1624	1-5/16"-12	1-7/8"-12	54.90	60.70	21.44	33.32	48 mm	55 mm	Metric
DAJCM9305-1608IN	1-5/16"-12	3/4"-16	46.00	43.90	21.44	9.93	1-5/16"	7/8"	Imperial
DAJCM9305-1610IN	1-5/16"-12	7/8"-14	46.00	48.00	21.44	12.29	1-5/16"	1"	Imperial
DAJCM9305-1612IN	1-5/16"-12	1-1/16"-12	46.00	52.10	21.44	15.47	1-5/16"	1-1/4"	Imperial
DAJCM9305-1614IN	1-5/16"-12	1-3/16"-12	46.00	52.00	21.44	18.26	1-5/16"	1-3/8"	Imperial
DAJCM9305-1616IN	1-5/16"-12	1-5/16"-12	46.00	52.10	21.44	21.44	1-5/16"	1-1/2"	Imperial
DAJCM9305-1620IN	1-5/16"-12	1-5/8"-12	51.10	57.20	21.44	27.38	1-5/8"	1-7/8"	Imperial
DAJCM9305-1624IN	1-5/16"-12	1-7/8"-12	54.90	60.70	21.44	33.32	1-7/8"	2-1/8"	Imperial
DAJCM9305-2012	1-5/8"-12	1-1/16"-12	52.30	57.20	27.38	15.47	41 mm	32 mm	Metric
DAJCM9305-2014	1-5/8"-12	1-3/16"-12	52.30	57.20	27.38	18.26	41 mm	36 mm	Metric
DAJCM9305-2016	1-5/8"-12	1-5/16"-12	52.30	57.20	27.38	21.44	41 mm	41 mm	Metric
DAJCM9305-2020	1-5/8"-12	1-5/8"-12	52.30	57.20	27.38	27.38	41 mm	50 mm	Metric
DAJCM9305-2024	1-5/8"-12	1-7/8"-12	55.90	60.70	27.38	33.32	48 mm	55 mm	Metric
DAJCM9305-2032	1-5/8"-12	2-1/2"-12	69.32	73.41	27.38	45.24	65 mm	70 mm	Metric
DAJCM9305-2012IN	1-5/8"-12	1-1/16"-12	52.30	57.20	27.38	15.47	1-5/8"	1-1/4"	Imperial
DAJCM9305-2014IN	1-5/8"-12	1-3/16"-12	52.30	57.20	27.38	18.26	1-5/8"	1-3/8"	Imperial
DAJCM9305-2016IN	1-5/8"-12	1-5/16"-12	52.30	57.20	27.38	21.44	1-5/8"	1-1/2"	Imperial
DAJCM9305-2020IN	1-5/8"-12	1-5/8"-12	52.30	57.20	27.38	27.38	1-5/8"	1-7/8"	Imperial
DAJCM9305-2024IN	1-5/8"-12	1-7/8"-12	55.90	60.70	27.38	33.32	1-7/8"	2-1/8"	Imperial
DAJCM9305-2032IN	1-5/8"-12	2-1/2"-12	69.32	73.41	27.38	45.24	2-1/2"	2-3/4"	Imperial
DAJCM9305-2416	1-7/8"-12	1-5/16"-12	59.20	60.70	33.32	21.44	48 mm	41 mm	Metric
DAJCM9305-2420	1-7/8"-12	1-5/8"-12	59.20	60.70	33.32	27.38	48 mm	50 mm	Metric
DAJCM9305-2424	1-7/8"-12	1-7/8"-12	59.20	60.70	33.32	33.32	48 mm	55 mm	Metric
DAJCM9305-2432	1-7/8"-12	2-1/2"-12	71.30	73.40	33.32	45.24	65 mm	70 mm	Metric
DAJCM9305-2416IN	1-7/8"-12	1-5/16"-12	59.20	60.70	33.32	21.44	1-7/8"	1-1/2"	Imperial
DAJCM9305-2420IN	1-7/8"-12	1-5/8"-12	59.20	60.70	33.32	27.38	1-7/8"	1-7/8"	Imperial
DAJCM9305-2424IN	1-7/8"-12	1-7/8"-12	59.20	60.70	33.32	33.32	1-7/8"	2-1/8"	Imperial
DAJCM9305-2432IN	1-7/8"-12	2-1/2"-12	71.30	73.40	33.32	45.24	2-1/2"	2-3/4"	Imperial
DAJCM9305-3220	2-1/2"-12	1-5/8"-12	77.70	73.40	45.24	27.38	65 mm	50 mm	Metric
DAJCM9305-3224	2-1/2"-12	1-7/8"-12	77.70	73.40	45.24	33.32	65 mm	55 mm	Metric
DAJCM9305-3232	2-1/2"-12	2-1/2"-12	77.70	73.40	45.24	45.24	65 mm	70 mm	Metric
DAJCM9305-3220IN	2-1/2"-12	1-5/8"-12	77.70	73.40	45.24	27.38	2-1/2"	1-7/8"	Imperial
DAJCM9305-3224IN	2-1/2"-12	1-7/8"-12	77.70	73.40	45.24	33.32	2-1/2"	2-1/8"	Imperial
DAJCM9305-3232IN	2-1/2"-12	2-1/2"-12	77.70	73.40	45.24	45.24	2-1/2"	2-3/4"	Imperial

Web: <https://www.dmejde.com>  
E-mail: [info@dmejde.com](mailto:info@dmejde.com)

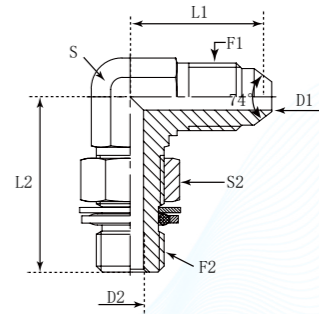


## DAJCM906Q

90° Adjustable Elbow JIC Male – BSPP Male + O Ring + Retaining Ring



- DME&JDE Code:** DAJCM906Q
- Product Type:** Hydraulic adaptor
- Standard:** JIC and SAE-ORB
- Structure:** 90° Elbow
- Connection Type:** Adjustable Male x Male
- Thread Types:** UNF x BSPP
- Sealing Method:** O Ring + Retaining Ring



PART NUMBER	F1 (Thread)	F2 (Thread)	D1	D2	L1	L2	S	S1
#	UNF	BSPP	mm	mm	mm	mm	mm	mm
DAJCM906Q-0402	7/16"-20	1/8"-28	4.37	4.40	22.50	26.00	11	14
DAJCM906Q-0404	7/16"-20	1/4"-19	4.37	7.50	27.00	31.50	14	19
DAJCM906Q-0406	7/16"-20	3/8"-19	4.37	9.90	28.50	36.50	19	22
DAJCM906Q-0408	7/16"-20	1/2"-14	4.37	12.30	31.00	43.00	22	27
DAJCM906Q-0502	1/2"-20	1/8"-28	5.94	4.40	24.00	28.00	14	14
DAJCM906Q-0504	1/2"-20	1/4"-19	5.94	7.50	27.00	31.00	14	19
DAJCM906Q-0506	1/2"-20	3/8"-19	5.94	9.90	28.50	36.50	19	22
DAJCM906Q-0602	9/16"-18	1/8"-28	7.54	4.40	27.00	28.00	14	14
DAJCM906Q-0604	9/16"-18	1/4"-19	7.54	7.50	27.00	31.50	14	19
DAJCM906Q-0606	9/16"-18	3/8"-19	7.54	9.90	28.50	36.50	19	22
DAJCM906Q-0608	9/16"-18	1/2"-14	7.54	12.30	31.00	43.00	22	27
DAJCM906Q-0612	9/16"-18	3/4"-14	7.54	15.50	34.50	49.00	27	36
DAJCM906Q-0804	3/4"-16	1/4"-19	9.93	7.50	31.50	33.50	19	19
DAJCM906Q-0806	3/4"-16	3/8"-19	9.93	9.90	31.50	36.50	19	22
DAJCM906Q-0808	3/4"-16	1/2"-14	9.93	12.30	34.00	43.00	22	27
DAJCM906Q-0810	3/4"-16	5/8"-14	9.93	14.00	37.00	48.00	27	30
DAJCM906Q-0812	3/4"-16	3/4"-14	9.93	15.50	37.00	49.00	27	36
DAJCM906Q-0816	3/4"-16	1"-11	9.93	21.50	42.00	52.00	33	41
DAJCM906Q-1006	7/8"-14	3/8"-19	12.29	9.90	36.50	39.50	22	22
DAJCM906Q-1008	7/8"-14	1/2"-14	12.29	12.30	36.50	43.00	22	27
DAJCM906Q-1010	7/8"-14	5/8"-14	12.29	14.00	39.50	46.00	27	30
DAJCM906Q-1012	7/8"-14	3/4"-14	12.29	15.50	39.50	49.00	27	36
DAJCM906Q-1016	7/8"-14	1"-11	12.29	21.50	42.00	52.00	33	41
DAJCM906Q-1206	1-1/16"-12	3/8"-19	15.47	9.90	42.00	40.50	27	22
DAJCM906Q-1208	1-1/16"-12	1/2"-14	15.47	12.30	42.00	45.50	27	27
DAJCM906Q-1212	1-1/16"-12	3/4"-14	15.47	15.50	42.00	49.00	27	36
DAJCM906Q-1216	1-1/16"-12	1"-11	15.47	21.50	44.70	52.00	33	41
DAJCM906Q-1220	1-1/16"-12	1 1/4"-11	15.47	27.50	50.00	57.00	41	50
DAJCM906Q-1612	1-5/16"-12	3/4"-14	21.44	15.50	46.00	52.00	33	36
DAJCM906Q-1616	1-5/16"-12	1"-11	21.44	21.50	46.00	52.00	33	41
DAJCM906Q-1620	1-5/16"-12	1-1/4"-11	21.44	27.50	51.00	57.00	41	50
DAJCM906Q-1624	1-5/16"-12	1-1/2"-11	21.44	33.00	55.00	61.00	48	55
DAJCM906Q-2016	1-5/8"-12	1"-11	27.38	21.50	52.00	57.00	41	41
DAJCM906Q-2020	1-5/8"-12	1-1/4"-11	27.38	27.50	52.00	58.00	41	50
DAJCM906Q-2024	1-5/8"-12	1-1/2"-11	27.38	33.00	56.00	62.00	48	55
DAJCM906Q-2420	1-7/8"-12	1-1/4"-11	33.32	27.50	59.00	61.00	48	50
DAJCM906Q-2424	1-7/8"-12	1-1/2"-11	33.32	33.00	59.00	61.00	48	55
DAJCM906Q-3232	2-1/2"-12	2"-11	45.24	45.00	77.70	73.50	63.5	70



Web: <https://www.dmejde.com>  
E-mail: [info@dmejde.com](mailto:info@dmejde.com)



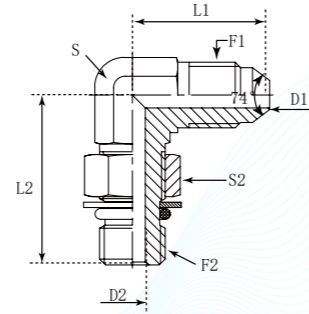
## DAJCM9065

90° Adjustable Elbow JIC Male – BSPP Male + O Ring

<b>D</b>	<b>A</b>	<b>JC</b>	<b>M</b>	<b>9</b>	<b>06</b>	<b>5</b>
Company	Product Range	Thread Types	Connection Type	Adaptor Structure	Thread Types	Connection Type
<b>DME</b>	Adaptor	JIC UNF	Male	90° Elbow	BSPP	Male + O Ring



- DME&JDE Code:** DAJCM9065
- Product Type:** Hydraulic adaptor
- Standard:** JIC and SAE-ORB
- Structure:** 90° Elbow
- Connection Type:** Adjustable Male x Male
- Thread Types:** UNF x BSPP
- Sealing Method:** O Ring



PART NUMBER	F1 (Thread)	F2 (Thread)	D1	D2	L1	L2	S	S1
#	UNF	BSPP	mm	mm	mm	mm	mm	mm
DAJCM9065-0402	7/16"-20	1/8"-28	4.37	4.40	22.50	26.00	11	14
DAJCM9065-0404	7/16"-20	1/4"-19	4.37	7.50	27.00	31.50	14	19
DAJCM9065-0406	7/16"-20	3/8"-19	4.37	9.90	28.50	36.50	19	22
DAJCM9065-0408	7/16"-20	1/2"-14	4.37	12.30	31.00	43.00	22	27
DAJCM9065-0502	1/2"-20	1/8"-28	5.94	4.40	24.00	28.00	14	14
DAJCM9065-0504	1/2"-20	1/4"-19	5.94	7.50	27.00	31.00	14	19
DAJCM9065-0506	1/2"-20	3/8"-19	5.94	9.90	28.50	36.50	19	22
DAJCM9065-0602	9/16"-18	1/8"-28	7.54	4.40	27.00	28.00	14	14
DAJCM9065-0604	9/16"-18	1/4"-19	7.54	7.50	27.00	31.50	14	19
DAJCM9065-0606	9/16"-18	3/8"-19	7.54	9.90	28.50	36.50	19	22
DAJCM9065-0608	9/16"-18	1/2"-14	7.54	12.30	31.00	43.00	22	27
DAJCM9065-0612	9/16"-18	3/4"-14	7.54	15.50	34.50	49.00	27	36
DAJCM9065-0804	3/4"-16	1/4"-19	9.93	7.50	31.50	33.50	19	19
DAJCM9065-0806	3/4"-16	3/8"-19	9.93	9.90	31.50	36.50	19	22
DAJCM9065-0808	3/4"-16	1/2"-14	9.93	12.30	34.00	43.00	22	27
DAJCM9065-0810	3/4"-16	5/8"-14	9.93	14.00	37.00	48.00	27	30
DAJCM9065-0812	3/4"-16	3/4"-14	9.93	15.50	37.00	49.00	27	36
DAJCM9065-0816	3/4"-16	1"-11	9.93	21.50	42.00	52.00	33	41
DAJCM9065-1006	7/8"-14	3/8"-19	12.29	9.90	36.50	39.50	22	22
DAJCM9065-1008	7/8"-14	1/2"-14	12.29	12.30	36.50	43.00	22	27
DAJCM9065-1010	7/8"-14	5/8"-14	12.29	14.00	39.50	46.00	27	30
DAJCM9065-1012	7/8"-14	3/4"-14	12.29	15.50	39.50	49.00	27	36
DAJCM9065-1016	7/8"-14	1"-11	12.29	21.50	42.00	52.00	33	41
DAJCM9065-1206	1-1/16"-12	3/8"-19	15.47	9.90	42.00	40.50	27	22
DAJCM9065-1208	1-1/16"-12	1/2"-14	15.47	12.30	42.00	45.50	27	27
DAJCM9065-1212	1-1/16"-12	3/4"-14	15.47	15.50	42.00	49.00	27	36
DAJCM9065-1216	1-1/16"-12	1"-11	15.47	21.50	44.70	52.00	33	41
DAJCM9065-1220	1-1/16"-12	1-1/4"-11	15.47	27.50	50.00	57.00	41	50
DAJCM9065-1612	1-5/16"-12	3/4"-14	21.44	15.50	46.00	52.00	33	36
DAJCM9065-1616	1-5/16"-12	1"-11	21.44	21.50	46.00	52.00	33	41
DAJCM9065-1620	1-5/16"-12	1-1/4"-11	21.44	27.50	51.00	57.00	41	50
DAJCM9065-1624	1-5/16"-12	1-1/2"-11	21.44	33.00	55.00	61.00	48	55
DAJCM9065-2016	1-5/8"-12	1"-11	27.38	21.50	52.00	57.00	41	41
DAJCM9065-2020	1-5/8"-12	1-1/4"-11	27.38	27.50	52.00	58.00	41	50
DAJCM9065-2024	1-5/8"-12	1-1/2"-11	27.38	33.00	56.00	62.00	48	55
DAJCM9065-2420	1-7/8"-12	1-1/4"-11	33.32	27.50	59.00	61.00	48	50
DAJCM9065-2424	1-7/8"-12	1-1/2"-11	33.32	33.00	59.00	61.00	48	55
DAJCM9065-3232	2-1/2"-12	2"-11	45.24	45.00	77.70	73.50	63.5	70



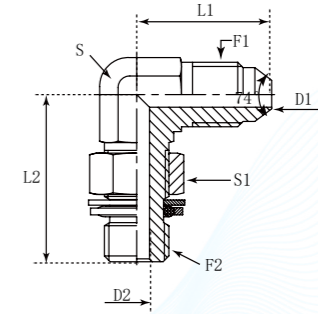
## DAJCM952Q

90° Adjustable Elbow JIC Male – Metric Male + O Ring + Retaining Ring

<b>D</b>	<b>A</b>	<b>JC</b>	<b>M</b>	<b>9</b>	<b>52</b>	<b>Q</b>
Company	Product Range	Thread Types	Connection Type	Adaptor Structure	Thread Types	Connection Type
<b>DME</b>	Adaptor	JIC UNF	Male	90° Elbow	Metric	Male + O Ring + Retaining Ring



- DME&JDE Code:** DAJCM952Q
- Product Type:** Hydraulic adaptor
- Standard:** JIC and SAE-ORB
- Structure:** 90° Elbow
- Connection Type:** Adjustable Male x Male
- Thread Types:** UNF x Metric
- Sealing Method:** O Ring + Retaining Ring



PART NUMBER	F1 (Thread)	F2 (Thread)	D1	D2	L1	L2	S	S1
#	UNF	Metric	mm	mm	mm	mm	mm	mm
DAJCM952Q-0410	7/16"-20	M10X1	4.37	3.00	22.50	27.50	11	14
DAJCM952Q-0412	7/16"-20	M12X1.5	4.37	6.00	26.70	32.50	14	17
DAJCM952Q-0414	7/16"-20	M14X1.5	4.37	6.00	27.00	32.50	14	19
DAJCM952Q-0510	1/2"-20	M10X1	5.94	4.00	27.00	28.50	14	14
DAJCM952Q-0512	1/2"-20	M12X1.5	5.94	4.00	27.00	31.50	14	17
DAJCM952Q-0514	1/2"-20	M14X1.5	5.94	6.00	27.00	32.50	14	19
DAJCM952Q-0610	9/16"-18	M10X1	7.54	4.00	27.00	28.50	14	14
DAJCM952Q-0612	9/16"-18	M12X1.5	7.54	4.00	27.00	31.50	14	17
DAJCM952Q-0614	9/16"-18	M14X1.5	7.54	6.00	27.00	32.50	14	19
DAJCM952Q-0616	9/16"-18	M16X1.5	7.54	7.00	28.50	36.50	19	22
DAJCM952Q-0618	9/16"-18	M18X1.5	7.54	9.00	29.00	39.50	19	24
DAJCM952Q-0816	3/4"-16	M16X1.5	9.93	7.00	31.50	36.50	19	22
DAJCM952Q-0818	3/4"-16	M18X1.5	9.93	9.00	31.50	37.00	19	24
DAJCM952Q-0820	3/4"-16	M20X1.5	9.93	12.00	33.80	43.00	22	27
DAJCM952Q-0822	3/4"-16	M22X1.5	9.93	12.00	33.80	43.00	22	27
DAJCM952Q-0827	3/4"-16	M27X2	9.93	15.00	36.00	50.00	27	32
DAJCM952Q-1016	7/8"-14	M16X1.5	12.29	7.00	36.50	39.50	22	22
DAJCM952Q-1018	7/8"-14	M18X1.5	12.29	9.00	36.50	41.50	22	24
DAJCM952Q-1020	7/8"-14	M20X1.5	12.29	12.00	36.50	43.00	22	27
DAJCM952Q-1022	7/8"-14	M22X1.5	12.29	12.00	36.50	43.00	22	27
DAJCM952Q-1026	7/8"-14	M26X1.5	12.29	15.00	40.00	52.00	27	32
DAJCM952Q-1222	1-1/16"-12	M22X1.5	15.47	14.00	42.00	45.50	27	27
DAJCM952Q-1226	1-1/16"-12	M26X1.5	15.47	15.00	42.00	51.50	27	32
DAJCM952Q-1227	1-1/16"-12	M27X2	15.47	15.00	42.00	51.50	27	32
DAJCM952Q-1230	1-1/16"-12	M30X2	15.47	18.00	43.00	51.50	30	38
DAJCM952Q-1627	1-5/16"-12	M27X2	21.44	15.00	46.00	55.00	33	32
DAJCM952Q-1633	1-5/16"-12	M33X2	21.44	20.00	46.00	52.00	33	41
DAJCM952Q-2042	1-5/8"-12	M42X2	27.38	26.00	52.00	60.00	41	50
DAJCM952Q-2448	1-7/8"-12	M48X2	33.32	32.00	59.00	67.00	48	55



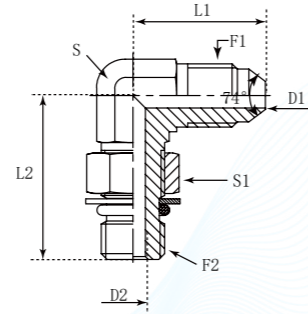
## DAJCM9525

90° Adjustable Elbow JIC Male – Metric Male + O Ring

<b>D</b>	<b>A</b>	<b>JC</b>	<b>M</b>	<b>9</b>	<b>52</b>	<b>5</b>
Company	Product Range	Thread Types	Connection Type	Adaptor Structure	Thread Types	Connection Type
<b>DME</b>	Adaptor	JIC UNF	Male	90° Elbow	Metric	Male + O Ring



- DME&JDE Code: **DAJCM9525**
- Product Type: **Hydraulic adaptor**
- Standard: **JIC and SAE-ORB**
- Structure: **90° Elbow**
- Connection Type: **Adjustable Male x Male**
- Thread Types: **UNF x Metric**
- Sealing Method: **O Ring**



PART NUMBER	F1 (Thread)	F2 (Thread)	D1	D2	L1	L2	S	S1
#	UNF	Metric	mm	mm	mm	mm	mm	mm
DAJCM9525-0410	7/16"-20	M10X1	4.37	3.00	22.50	27.50	11	14
DAJCM9525-0412	7/16"-20	M12X1.5	4.37	6.00	26.70	32.50	14	17
DAJCM9525-0414	7/16"-20	M14X1.5	4.37	6.00	27.00	32.50	14	19
DAJCM9525-0510	1/2"-20	M10X1	5.94	4.00	27.00	28.50	14	14
DAJCM9525-0512	1/2"-20	M12X1.5	5.94	4.00	27.00	31.50	14	17
DAJCM9525-0514	1/2"-20	M14X1.5	5.94	6.00	27.00	32.50	14	19
DAJCM9525-0610	9/16"-18	M10X1	7.54	4.00	27.00	28.50	14	14
DAJCM9525-0612	9/16"-18	M12X1.5	7.54	4.00	27.00	31.50	14	17
DAJCM9525-0614	9/16"-18	M14X1.5	7.54	6.00	27.00	32.50	14	19
DAJCM9525-0616	9/16"-18	M16X1.5	7.54	7.00	28.50	36.50	19	22
DAJCM9525-0618	9/16"-18	M18X1.5	7.54	9.00	29.00	39.50	19	24
DAJCM9525-0816	3/4"-16	M16X1.5	9.93	7.00	31.50	36.50	19	22
DAJCM9525-0818	3/4"-16	M18X1.5	9.93	9.00	31.50	37.00	19	24
DAJCM9525-0820	3/4"-16	M20X1.5	9.93	12.00	33.80	43.00	22	27
DAJCM9525-0822	3/4"-16	M22X1.5	9.93	12.00	33.80	43.00	22	27
DAJCM9525-0827	3/4"-16	M27X2	9.93	15.00	36.00	50.00	27	32
DAJCM9525-1016	7/8"-14	M16X1.5	12.29	7.00	36.50	39.50	22	22
DAJCM9525-1018	7/8"-14	M18X1.5	12.29	9.00	36.50	41.50	22	24
DAJCM9525-1022	7/8"-14	M22X1.5	12.29	12.00	36.50	43.00	22	27
DAJCM9525-1026	7/8"-14	M26X1.5	12.29	15.00	40.00	52.00	27	32
DAJCM9525-1222	1-1/16"-12	M22X1.5	15.47	14.00	42.00	45.50	27	27
DAJCM9525-1226	1-1/16"-12	M26X1.5	15.47	15.00	42.00	51.50	27	32
DAJCM9525-1227	1-1/16"-12	M27X2	15.47	15.00	42.00	51.50	27	32
DAJCM9525-1230	1-1/16"-12	M30X2	15.47	18.00	43.00	51.50	30	38
DAJCM9525-1627	1-5/16"-12	M27X2	21.44	15.00	46.00	55.00	33	32
DAJCM9525-1633	1-5/16"-12	M33X2	21.44	20.00	46.00	52.00	33	41
DAJCM9525-2042	1-5/8"-12	M42X2	27.38	26.00	52.00	60.00	41	50
DAJCM9525-2448	1-7/8"-12	M48X2	33.32	32.00	59.00	67.00	48	55

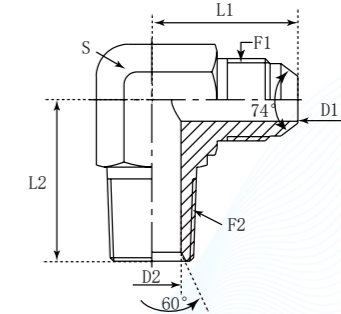
## DAJCM928M

90° Elbow Connector JIC Male – NPTF Male

<b>D</b>	<b>A</b>	<b>JC</b>	<b>M</b>	<b>9</b>	<b>28</b>	<b>M</b>
Company	Product Range	Thread Types	Connection Type	Adaptor Structure	Thread Types	Connection Type
<b>DME</b>	Adaptor	JIC UNF	Male	90° Elbow	NPTF	Male



- DME&JDE Code: **DAJCM928M**
- Product Type: **Hydraulic adaptor**
- Standard: **JIC and SAE-ORB**
- Structure: **90° Elbow**
- Connection Type: **Male x Male**
- Thread Types: **UNF x NPTF**



PART NUMBER	F1 (Thread)	F2 (Thread)	D1	D2	L1	L2	S	Hex
#	UNF	NPTF	mm	mm	mm	mm	-	-
DAJCM928M-0202	5/16"-24	1/8"-27	1.57	4.78	19.56	18.29	11 mm	Metric
DAJCM928M-0204	5/16"-24	1/4"-18	1.57	7.14	23.60	27.69	14 mm	Metric
DAJCM928M-0202IN	5/16"-24	1/8"-27	1.57	4.78	19.56	18.29	7/16"	Imperial
DAJCM928M-0204IN	5/16"-24	1/4"-18	1.57	7.14	23.60	27.69	9/16"	Imperial
DAJCM928M-0302	3/8"-24	1/8"-27	3.18	4.78	21.10	18.30	11 mm	Metric
DAJCM928M-0302IN	3/8"-24	1/8"-27	3.18	4.78	21.10	18.30	7/16"	Imperial
DAJCM928M-0401	7/16"-20	1/16"-27	4.37	2.77	22.61	19.81	11 mm	Metric
DAJCM928M-0402	7/16"-20	1/8"-27	4.37	4.78	22.61	19.81	11 mm	Metric
DAJCM928M-0404	7/16"-20	1/4"-18	4.37	7.14	26.67	27.69	14 mm	Metric
DAJCM928M-0406	7/16"-20	3/8"-18	4.37	10.31	28.50	31.00	19 mm	Metric
DAJCM928M-0408	7/16"-20	1/2"-14	4.37	13.49	30.70	37.30	22 mm	Metric
DAJCM928M-0412	7/16"-20	3/4"-14	4.37	18.26	31.80	40.40	27 mm	Metric
DAJCM928M-0401IN	7/16"-20	1/16"-27	4.37	2.77	22.61	19.81	7/16"	Imperial
DAJCM928M-0402IN	7/16"-20	1/8"-27	4.37	4.78	22.61	19.81	7/16"	Imperial
DAJCM928M-0404IN	7/16"-20	1/4"-18	4.37	7.14	26.67	27.69	9/16"	Imperial
DAJCM928M-0406IN	7/16"-20	3/8"-18	4.37	10.31	28.50	31.00	3/4"	Imperial
DAJCM928M-0408IN	7/16"-20	1/2"-14	4.37	13.49	30.70	37.30	7/8"	Imperial
DAJCM928M-0412IN	7/16"-20	3/4"-14	4.37	18.26	31.80	40.40	1-1/16"	Imperial
DAJCM928M-0502	1/2"-20	1/8"-27	5.94	4.78	24.10	19.80	14 mm	Metric
DAJCM928M-0504	1/2"-20	1/4"-18	5.94	7.14	26.70	27.70	14 mm	Metric
DAJCM928M-0506	1/2"-20	3/8"-18	5.94	10.31	28.50	31.00	19 mm	Metric
DAJCM928M-0508	1/2"-20	1/2"-14	5.94	13.49	30.70	37.30	22 mm	Metric
DAJCM928M-0502IN	1/2"-20	1/8"-27	5.94	4.78	24.10	19.80	9/16"	Imperial



DAJCM928M-0504IN	1/2"-20	1/4"-18	5.94	7.14	26.70	27.70	9/16"	Imperial
DAJCM928M-0506IN	1/2"-20	3/8"-18	5.94	10.31	28.50	31.00	3/4"	Imperial
DAJCM928M-0508IN	1/2"-20	1/2"-14	5.94	13.49	30.70	37.30	7/8"	Imperial
DAJCM928M-0602	9/16"-18	1/8"-27	7.54	4.78	26.90	22.90	14 mm	Metric
DAJCM928M-0604	9/16"-18	1/4"-18	7.54	7.14	26.92	27.69	14 mm	Metric
DAJCM928M-0606	9/16"-18	3/8"-18	7.54	10.31	28.96	30.99	19 mm	Metric
DAJCM928M-0608	9/16"-18	1/2"-14	7.54	13.49	30.99	37.34	22 mm	Metric
DAJCM928M-0612	9/16"-18	3/4"-14	7.54	18.26	33.30	40.40	27 mm	Metric
DAJCM928M-0602IN	9/16"-18	1/8"-27	7.54	4.78	26.90	22.90	9/16"	Imperial
DAJCM928M-0604IN	9/16"-18	1/4"-18	7.54	7.14	26.92	27.69	9/16"	Imperial
DAJCM928M-0606IN	9/16"-18	3/8"-18	7.54	10.31	28.96	30.99	3/4"	Imperial
DAJCM928M-0608IN	9/16"-18	1/2"-14	7.54	13.49	30.99	37.34	7/8"	Imperial
DAJCM928M-0612IN	9/16"-18	3/4"-14	7.54	18.26	33.30	40.40	1-1/16"	Imperial
DAJCM928M-0802	3/4"-16	1/8"-27	9.93	4.78	31.80	26.20	19 mm	Metric
DAJCM928M-0804	3/4"-16	1/4"-18	9.93	7.14	31.80	31.00	19 mm	Metric
DAJCM928M-0806	3/4"-16	3/8"-18	9.93	10.31	31.80	31.00	19 mm	Metric
DAJCM928M-0808	3/4"-16	1/2"-14	9.93	13.49	33.78	37.34	22 mm	Metric
DAJCM928M-0812	3/4"-16	3/4"-14	9.93	18.26	36.10	40.40	27 mm	Metric
DAJCM928M-0816	3/4"-16	1"-11-1/2	9.93	23.83	38.60	50.00	33 mm	Metric
DAJCM928M-0802IN	3/4"-16	1/8"-27	9.93	4.78	31.80	26.20	3/4"	Imperial
DAJCM928M-0804IN	3/4"-16	1/4"-18	9.93	7.14	31.80	31.00	3/4"	Imperial
DAJCM928M-0806IN	3/4"-16	3/8"-18	9.93	10.31	31.80	31.00	3/4"	Imperial
DAJCM928M-0808IN	3/4"-16	1/2"-14	9.93	13.49	33.78	37.34	7/8"	Imperial
DAJCM928M-0812IN	3/4"-16	3/4"-14	9.93	18.26	36.10	40.40	1-1/16"	Imperial
DAJCM928M-0816IN	3/4"-16	1"-11-1/2	9.93	23.83	38.60	50.00	1-5/16"	Imperial
DAJCM928M-1006	7/8"-14	3/8"-18	12.29	10.31	36.80	32.50	22 mm	Metric
DAJCM928M-1008	7/8"-14	1/2"-14	12.29	13.49	36.80	37.30	22 mm	Metric
DAJCM928M-1012	7/8"-14	3/4"-14	12.29	18.26	39.10	40.40	27 mm	Metric
DAJCM928M-1016	7/8"-14	1"-11-1/2	12.29	23.83	41.70	50.00	33 mm	Metric
DAJCM928M-1006IN	7/8"-14	3/8"-18	12.29	10.31	36.80	32.50	7/8"	Imperial
DAJCM928M-1008IN	7/8"-14	1/2"-14	12.29	13.49	36.80	37.30	7/8"	Imperial
DAJCM928M-1012IN	7/8"-14	3/4"-14	12.29	18.26	39.10	40.40	1-1/16"	Imperial
DAJCM928M-1016IN	7/8"-14	1"-11-1/2	12.29	23.83	41.70	50.00	1-5/16"	Imperial
DAJCM928M-1206	1-1/16"-12	3/8"-18	15.47	10.31	42.20	35.60	27 mm	Metric
DAJCM928M-1208	1-1/16"-12	1/2"-14	15.47	13.49	42.20	40.40	27 mm	Metric
DAJCM928M-1212	1-1/16"-12	3/4"-14	15.47	18.26	42.16	40.39	27 mm	Metric
DAJCM928M-1216	1-1/16"-12	1"-11-1/2	15.47	23.83	44.70	50.00	33 mm	Metric
DAJCM928M-1220	1-1/16"-12	1-1/4"-11-1/2	15.47	31.75	50.00	60.50	41 mm	Metric
DAJCM928M-1224	1-1/16"-12	1-1/2"-11-1/2	15.47	38.10	53.60	67.10	48 mm	Metric
DAJCM928M-1206IN	1-1/16"-12	3/8"-18	15.47	10.31	42.20	35.60	1-1/16"	Imperial
DAJCM928M-1208IN	1-1/16"-12	1/2"-14	15.47	13.49	42.20	40.40	1-1/16"	Imperial

Web: <https://www.dmejde.com>  
E-mail: [info@dmejde.com](mailto:info@dmejde.com)



DAJCM928M-1212IN	1-1/16"-12	3/4"-14	15.47	18.26	42.16	40.39	1-1/16"	Imperial
DAJCM928M-1216IN	1-1/16"-12	1"-11-1/2	15.47	23.83	44.70	50.00	1-5/16"	Imperial
DAJCM928M-1220IN	1-1/16"-12	1-1/4"-11-1/2	15.47	31.75	50.00	60.50	1-5/8"	Imperial
DAJCM928M-1224IN	1-1/16"-12	1-1/2"-11-1/2	15.47	38.10	53.60	67.10	1-7/8"	Imperial
DAJCM928M-1408	1-3/16"-12	1/2"-14	18.26	13.49	45.72	42.93	33 mm	Metric
DAJCM928M-1412	1-3/16"-12	3/4"-14	18.26	18.26	45.70	42.90	33 mm	Metric
DAJCM928M-1416	1-3/16"-12	1"-11-1/2	18.26	23.83	45.72	50.04	33 mm	Metric
DAJCM928M-1408IN	1-3/16"-12	1/2"-14	18.26	13.49	45.72	42.93	1-5/16"	Imperial
DAJCM928M-1412IN	1-3/16"-12	3/4"-14	18.26	18.26	45.70	42.90	1-5/16"	Imperial
DAJCM928M-1416IN	1-3/16"-12	1"-11-1/2	18.26	23.83	45.72	50.04	1-5/16"	Imperial
DAJCM928M-1606	1-5/16"-12	3/8"-18	21.44	10.31	46.00	43.50	33 mm	Metric
DAJCM928M-1608	1-5/16"-12	1/2"-14	21.44	13.49	46.00	45.20	33 mm	Metric
DAJCM928M-1612	1-5/16"-12	3/4"-14	21.44	18.26	45.97	45.20	33 mm	Metric
DAJCM928M-1616	1-5/16"-12	1"-11-1/2	21.44	23.83	45.97	50.04	33 mm	Metric
DAJCM928M-1620	1-5/16"-12	1-1/4"-11-1/2	21.44	31.75	51.10	60.50	41 mm	Metric
DAJCM928M-1624	1-5/16"-12	1-1/2"-11-1/2	21.44	38.10	54.90	67.10	48 mm	Metric
DAJCM928M-1606IN	1-5/16"-12	3/8"-18	21.44	10.31	46.00	43.50	1-5/16"	Imperial
DAJCM928M-1608IN	1-5/16"-12	1/2"-14	21.44	13.49	46.00	45.20	1-5/16"	Imperial
DAJCM928M-1612IN	1-5/16"-12	3/4"-14	21.44	18.26	45.97	45.20	1-5/16"	Imperial
DAJCM928M-1616IN	1-5/16"-12	1"-11-1/2	21.44	23.83	45.97	50.04	1-5/16"	Imperial
DAJCM928M-1620IN	1-5/16"-12	1-1/4"-11-1/2	21.44	31.75	51.10	60.50	1-5/8"	Imperial
DAJCM928M-1624IN	1-5/16"-12	1-1/2"-11-1/2	21.44	38.10	54.90	67.10	1-7/8"	Imperial
DAJCM928M-2012	1- 5/8"-12	3/4"-14	27.38	18.26	52.32	54.86	41 mm	Metric
DAJCM928M-2016	1- 5/8"-12	1"-11-1/2	27.83	23.83	52.30	59.70	41 mm	Metric
DAJCM928M-2020	1- 5/8"-12	1-1/4"-11-1/2	27.38	31.75	52.32	60.45	41 mm	Metric
DAJCM928M-2024	1- 5/8"-12	1-1/2"-11-1/2	27.38	38.10	55.90	67.10	48 mm	Metric
DAJCM928M-2012IN	1- 5/8"-12	3/4"-14	27.38	18.26	52.32	54.86	1-5/8"	Imperial
DAJCM928M-2016IN	1- 5/8"-12	1"-11-1/2	27.83	23.83	52.30	59.70	1-5/8"	Imperial
DAJCM928M-2020IN	1- 5/8"-12	1-1/4"-11-1/2	27.38	31.75	52.32	60.45	1-5/8"	Imperial
DAJCM928M-2024IN	1- 5/8"-12	1-1/2"-11-1/2	27.38	38.10	55.90	67.10	1-7/8"	Imperial
DAJCM928M-2416	1- 7/8"-12	1"-11-1/2	33.32	23.83	59.20	65.50	48 mm	Metric
DAJCM928M-2420	1- 7/8"-12	1-1/4"-11-1/2	33.32	31.75	59.20	66.30	48 mm	Metric
DAJCM928M-2424	1- 7/8"-12	1-1/2"-11-1/2	33.32	38.10	59.20	67.10	48 mm	Metric
DAJCM928M-2432	1- 7/8"-12	2"-11-1/2	33.32	49.23	71.37	76.20	65 mm	Metric
DAJCM928M-2416IN	1- 7/8"-12	1"-11-1/2	33.32	23.83	59.20	65.50	1-7/8"	Imperial
DAJCM928M-2420IN	1- 7/8"-12	1-1/4"-11-1/2	33.32	31.75	59.20	66.30	1-7/8"	Imperial
DAJCM928M-2424IN	1- 7/8"-12	1-1/2"-11-1/2	33.32	38.10	59.20	67.10	1-7/8"	Imperial
DAJCM928M-2432IN	1- 7/8"-12	2"-11-1/2	33.32	49.23	71.37	76.20	2-1/2"	Imperial
DAJCM928M-3224	2- 1/2"-12	1-1/2"-11-1/2	45.24	38.10	77.70	75.40	65 mm	Metric
DAJCM928M-3232	2- 1/2"-12	2"-11-1/2	45.24	49.23	77.70	76.10	65 mm	Metric
DAJCM928M-3224IN	2- 1/2"-12	1-1/2"-11-1/2	45.24	38.10	77.70	75.40	2-1/2"	Imperial
DAJCM928M-3232IN	2- 1/2"-12	2"-11-1/2	45.24	49.23	77.70	76.10	2-1/2"	Imperial

Web: <https://www.dmejde.com>  
E-mail: [info@dmejde.com](mailto:info@dmejde.com)



# DAJCM928F

90° Elbow Connector JIC Male – NPTF Female

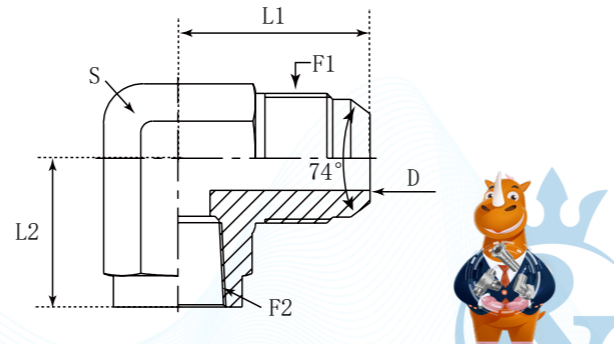
<b>D</b>	<b>A</b>	<b>JC</b>	<b>M</b>	<b>9</b>	<b>28</b>	<b>F</b>
Company	Product Range	Thread Types	Connection Type	Adaptor Structure	Thread Types	Connection Type
<b>DME</b>	Adaptor	JIC UNF	Male	90° Elbow	NPTF	Female

German Technology Equipment

SHIELD FLEX

New-Standard

- DME&JDE Code: **DAJCM928F**
- Product Type: **Hydraulic adaptor**
- Standard: **JIC and SAE-ORB**
- Structure: **90° Elbow**
- Connection Type: **Male x Female**
- Thread Types: **UNF x NPTF**



PART NUMBER	F1 (Thread)	F2 (Thread)	D	L1	L2	S	Hex
#	UNF	NPTF	mm	mm	mm	-	-
DAJCM928F-0202	5/16"-24	1/8"-27	1.57	25.4	16.8	14 mm	Metric
DAJCM928F-0202IN	5/16"-24	1/8"-27	1.57	25.4	16.8	9/16"	Imperial
DAJCM928F-0302	3/8"-24	1/8"-27	3.18	26.20	16.80	14 mm	Metric
DAJCM928F-0302IN	3/8"-24	1/8"-27	3.18	26.20	16.80	9/16"	Imperial
DAJCM928F-0402	7/16"-20	1/8"-27	4.37	27.40	16.80	14 mm	Metric
DAJCM928F-0404	7/16"-20	1/4"-18	4.37	31.00	22.40	19 mm	Metric
DAJCM928F-0406	7/16"-20	3/8"-18	4.37	32.80	25.90	22 mm	Metric
DAJCM928F-0408	7/16"-20	1/2"-14	4.37	35.56	31.24	27 mm	Metric
DAJCM928F-0402IN	7/16"-20	1/8"-27	4.37	27.40	16.80	9/16"	Imperial
DAJCM928F-0404IN	7/16"-20	1/4"-18	4.37	31.00	22.40	3/4"	Imperial
DAJCM928F-0406IN	7/16"-20	3/8"-18	4.37	32.80	25.90	7/8"	Imperial
DAJCM928F-0408IN	7/16"-20	1/2"-14	4.37	35.56	31.24	1-1/16"	Imperial
DAJCM928F-0502	1/2"-20	1/8"-27	5.94	27.40	16.80	14 mm	Metric
DAJCM928F-0504	1/2"-20	1/4"-18	5.94	31.00	22.40	19 mm	Metric
DAJCM928F-0506	1/2"-20	3/8"-18	5.94	32.80	25.90	22 mm	Metric
DAJCM928F-0502IN	1/2"-20	1/8"-27	5.94	27.40	16.80	9/16"	Imperial
DAJCM928F-0504IN	1/2"-20	1/4"-18	5.94	31.00	22.40	3/4"	Imperial
DAJCM928F-0506IN	1/2"-20	3/8"-18	5.94	32.80	25.90	7/8"	Imperial
DAJCM928F-0602	9/16"-18	1/8"-27	7.54	31.20	17.00	14 mm	Metric
DAJCM928F-0604	9/16"-18	1/4"-18	7.54	31.20	22.40	19 mm	Metric
DAJCM928F-0606	9/16"-18	3/8"-18	7.54	33.30	25.90	22 mm	Metric
DAJCM928F-0608	9/16"-18	1/2"-14	7.54	35.80	31.20	27 mm	Metric
DAJCM928F-0602IN	9/16"-18	1/8"-27	7.54	31.20	17.00	9/16"	Imperial

DAJCM928F-0604IN	9/16"-18	1/4"-18	7.54	31.20	22.40	3/4"	Imperial
DAJCM928F-0606IN	9/16"-18	3/8"-18	7.54	33.30	25.90	7/8"	Imperial
DAJCM928F-0608IN	9/16"-18	1/2"-14	7.54	35.80	31.20	1-1/16"	Imperial
DAJCM928F-0804	3/4"-16	1/4"-18	9.93	36.10	25.70	19 mm	Metric
DAJCM928F-0806	3/4"-16	3/8"-18	9.93	36.10	25.90	22 mm	Metric
DAJCM928F-0808	3/4"-16	1/2"-14	9.93	38.60	31.20	27 mm	Metric
DAJCM928F-0812	3/4"-16	3/4"-14	9.93	41.90	34.50	33 mm	Metric
DAJCM928F-0804IN	3/4"-16	1/4"-18	9.93	36.10	25.70	3/4"	Imperial
DAJCM928F-0806IN	3/4"-16	3/8"-18	9.93	36.10	25.90	7/8"	Imperial
DAJCM928F-0808IN	3/4"-16	1/2"-14	9.93	38.60	31.20	1-1/16"	Imperial
DAJCM928F-0812IN	3/4"-16	3/4"-14	9.93	41.90	34.50	1-5/16"	Imperial
DAJCM928F-1006	7/8"-14	3/8"-18	12.29	41.66	25.70	27 mm	Metric
DAJCM928F-1008	7/8"-14	1/2"-14	12.29	41.70	31.20	27 mm	Metric
DAJCM928F-1012	7/8"-14	3/4"-14	12.29	44.96	34.54	33 mm	Metric
DAJCM928F-1006IN	7/8"-14	3/8"-18	12.29	41.66	25.70	1-1/16"	Imperial
DAJCM928F-1008IN	7/8"-14	1/2"-14	12.29	41.70	31.20	1-1/16"	Imperial
DAJCM928F-1012IN	7/8"-14	3/4"-14	12.29	44.96	34.54	1-5/16"	Imperial
DAJCM928F-1208	1-1/16"-12	1/2"-14	15.47	48.00	34.30	27 mm	Metric
DAJCM928F-1212	1-1/16"-12	3/4"-14	15.47	48.00	34.50	33 mm	Metric
DAJCM928F-1216	1-1/16"-12	1"-11-1/2	15.47	53.90	41.20	41 mm	Metric
DAJCM928F-1208IN	1-1/16"-12	1/2"-14	15.47	48.00	34.30	1-1/16"	Imperial
DAJCM928F-1212IN	1-1/16"-12	3/4"-14	15.47	48.00	34.50	1-5/16"	Imperial
DAJCM928F-1216IN	1-1/16"-12	1"-11-1/2	15.47	53.90	41.20	1-5/8"	Imperial
DAJCM928F-1412	1-3/16"-12	3/4"-14	18.26	47.20	36.10	33 mm	Metric
DAJCM928F-1412IN	1-3/16"-12	3/4"-14	18.26	47.20	36.10	1-5/16"	Imperial
DAJCM928F-1612	1-5/16"-12	3/4"-14	21.44	55.10	35.30	33 mm	Metric
DAJCM928F-1616	1-5/16"-12	1"-11-1/2	21.44	55.10	41.20	41 mm	Metric
DAJCM928F-1620	1-5/16"-12	1-1/4"-11-1/2	21.44	57.91	43.18	48 mm	Metric
DAJCM928F-1612IN	1-5/16"-12	3/4"-14	21.44	55.10	35.30	1-5/16"	Imperial
DAJCM928F-1616IN	1-5/16"-12	1"-11-1/2	21.44	55.10	41.20	1-5/8"	Imperial
DAJCM928F-1620IN	1-5/16"-12	1-1/4"-11-1/2	21.44	57.91	43.18	1-7/8"	Imperial
DAJCM928F-2016	1-5/8"-12	1"-11-1/2	27.38	59.18	41.20	41 mm	Metric
DAJCM928F-2020	1-5/8"-12	1-1/4"-11-1/2	27.38	59.20	43.20	48 mm	Metric
DAJCM928F-2024	1-5/8"-12	1-1/2"-11-1/2	27.38	70.00	52.83	65 mm	Metric
DAJCM928F-2016IN	1-5/8"-12	1"-11-1/2	27.38	59.18	41.20	1-5/8"	Imperial
DAJCM928F-2020IN	1-5/8"-12	1-1/4"-11-1/2	27.38	59.20	43.20	1-7/8"	Imperial
DAJCM928F-2024IN	1-5/8"-12	1-1/2"-11-1/2	27.38	70.00	52.83	2-9/16"	Imperial
DAJCM928F-2424	1-7/8"-12	1-1/2"-11-1/2	33.32	73.40	52.80	65 mm	Metric
DAJCM928F-2424IN	1-7/8"-12	1-1/2"-11-1/2	33.32	73.40	52.80	2-9/16"	Imperial
DAJCM928F-3232	2-1/2"-12	2"-11-1/2	45.24	83.80	60.70	70 mm	Metric
DAJCM928F-3232IN	2-1/2"-12	2"-11-1/2	45.24	83.80	60.70	2-13/16"	Imperial



## DAJCM905F

90° Elbow Connector JIC Male – BSPP Fixed Female

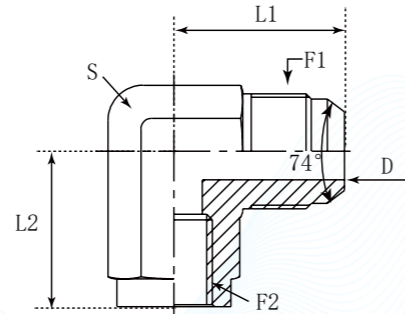
<b>D</b>	<b>A</b>	<b>JC</b>	<b>M</b>	<b>9</b>	<b>05</b>	<b>F</b>
Company	Product Range	Thread Types	Connection Type	Adaptor Structure	Thread Types	Connection Type
<b>DME</b>	Adaptor	JIC UNF	Male	90° Elbow	BSPP	Female

German Technology Equipment

**SHIELD FLEX**

New-Standard

- DME&JDE Code: **DAJCM905F**
- Product Type: **Hydraulic adaptor**
- Standard: **JIC and SAE-ORB**
- Structure: **90° Elbow**
- Connection Type: **Male x Fixed Female**
- Thread Types: **UNF x BSPP**



PART NUMBER	F1 (Thread)	F2 (Thread)	D	L	S	S1
#	UNF	BSPP	mm	mm	mm	mm
DAJCM905F-0402	7/16"-20	1/8"-28	4.37	27.40	16.80	14.00
DAJCM905F-0404	7/16"-20	1/4"-19	4.37	31.00	22.40	19.00
DAJCM905F-0406	7/16"-20	3/8"-19	4.37	32.80	25.90	22.00
DAJCM905F-0502	1/2"-20	1/8"-28	5.94	27.40	16.80	14.00
DAJCM905F-0504	1/2"-20	1/4"-19	5.94	31.00	22.40	19.00
DAJCM905F-0602	1/2"-20	1/8"-28	7.54	31.20	17.00	14.00
DAJCM905F-0604	9/16"-18	1/4"-19	7.54	31.20	22.40	19.00
DAJCM905F-0606	9/16"-18	3/8"-19	7.54	33.30	25.90	22.00
DAJCM905F-0608	9/16"-18	1/2"-14	7.54	35.80	31.20	27.00
DAJCM905F-0804	3/4"-16	1/4"-19	9.93	36.10	25.70	19.00
DAJCM905F-0806	3/4"-16	3/8"-19	9.93	36.10	25.90	22.00
DAJCM905F-0808	3/4"-16	1/2"-14	9.93	38.60	31.20	27.00
DAJCM905F-0812	3/4"-16	3/4"-14	9.93	41.90	34.50	33.00
DAJCM905F-1008	7/8"-14	1/2"-14	12.29	41.70	31.20	27.00
DAJCM905F-1208	1-1/16"-12	1/2"-14	15.47	48.00	34.30	27.00
DAJCM905F-1212	1 1/16"-12	3/4"-14	15.47	48.00	34.50	33.00
DAJCM905F-1216	1-1/16"-12	1"-11	15.47	53.90	41.20	41.00
DAJCM905F-1612	1-5/16"-12	3/4"-14	21.44	55.10	35.30	33.00
DAJCM905F-1616	1-5/16"-12	1"-11	21.44	55.10	41.20	41.00
DAJCM905F-2016	1-5/8"-12	1"-11	27.38	52.30	42.00	41.00
DAJCM905F-2020	1-5/8"-12	1 1/4"-11	27.38	59.20	43.20	48.00
DAJCM905F-2420	1-7/8"-12	1-1/4"-11	33.32	59.00	43.00	48.00
DAJCM905F-2424	1-7/8"-12	1-1/2"-11	33.32	73.40	52.80	65.00
DAJCM905F-3232	2-1/2"-12	2"-11	45.24	83.80	60.70	70.00

## DAJCM905M

90° Elbow Connector JIC Male – BSPP Male 60°

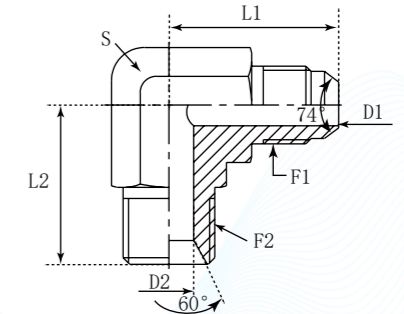
<b>D</b>	<b>A</b>	<b>JC</b>	<b>M</b>	<b>9</b>	<b>05</b>	<b>M</b>
Company	Product Range	Thread Types	Connection Type	Adaptor Structure	Thread Types	Connection Type
<b>DME</b>	Adaptor	JIC UNF	Male	90° Elbow	BSPP	Male

German Technology Equipment

**SHIELD FLEX**

New-Standard

- DME&JDE Code: **DAJCM905M**
- Product Type: **Hydraulic adaptor**
- Standard: **JIC and SAE-ORB**
- Structure: **90° Elbow**
- Connection Type: **Male x Male**
- Thread Types: **UNF x BSPP 60°**

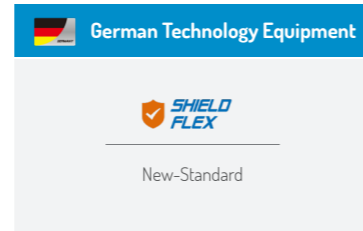
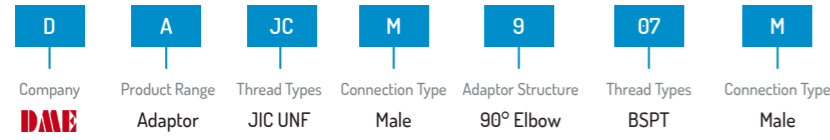


PART NUMBER	F1 (Thread)	F2 (Thread)	D1	D2	L1	L2	S
#	UNF	BSPP	mm	mm	mm	mm	mm
DAJCM905M-0404	7/16"-20	1/4"-19	4.37	4.70	26.70	27.00	14
DAJCM905M-0406	7/16"-20	3/8"-19	4.37	7.90	27.00	29.00	9
DAJCM905M-0604	9/16"-18	1/4"-19	7.54	4.70	26.90	27.00	14
DAJCM905M-0606	9/16"-18	3/8"-19	7.54	7.90	28.96	29.00	19
DAJCM905M-0608	9/16"-18	1/2"-14	7.54	11.10	31.00	34.00	22
DAJCM905M-0806	3/4"-16	3/8"-19	9.93	7.90	31.80	29.00	19
DAJCM905M-0808	3/4"-16	1/2"-14	9.93	11.10	33.80	34.00	22
DAJCM905M-0812	3/4"-16	3/4"-14	9.93	16.70	38.80	41.00	27
DAJCM905M-1008	7/8"-14	1/2"-14	12.29	11.10	36.80	34.00	22
DAJCM905M-1012	7/8"-14	3/4"-14	12.29	16.70	39.10	41.00	27
DAJCM905M-1208	1-1/16"-12	1/2"-14	15.47	11.10	36.50	41.00	27
DAJCM905M-1212	1-1/16"-12	3/4"-14	15.47	16.70	42.20	42.00	27
DAJCM905M-1216	1-1/16"-12	1"-11	15.47	22.20	44.70	48.00	33
DAJCM905M-1612	1-5/16"-12	3/4"-14	21.44	16.70	44.80	48.00	33
DAJCM905M-1616	1-5/16"-12	1"-11	21.44	22.20	46.00	48.00	33
DAJCM905M-2020	1-5/8"-12	1-1/4"-11	27.38	28.60	52.30	51.00	41

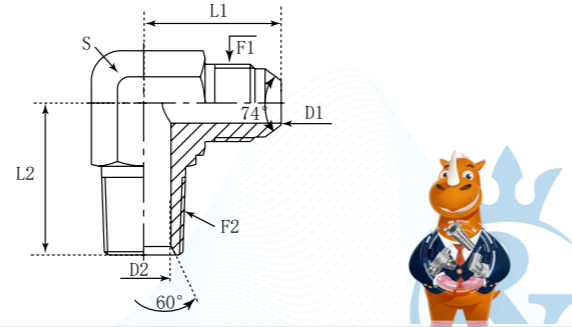


# DAJCM907M

90° Elbow Connector JIC Male – BSPT Male 60°



- DME&JDE Code:** DAJCM907M
- Product Type:** Hydraulic adaptor
- Standard:** JIC and SAE-ORB
- Structure:** 90° Elbow
- Connection Type:** Male x Male
- Thread Types:** UNF x BSPT 60°



PART NUMBER	F1 (Thread)	F2 (Thread)	D1	D2	L1	L2	S
#	UNF	BSPT	mm	mm	mm	mm	mm
DAJCM907M-0402	7/16"-20	1/8"-28	4.37	4.50	22.60	19.80	11
DAJCM907M-0404	7/16"-20	1/4"-19	4.37	6.00	26.70	27.70	14
DAJCM907M-0406	7/16"-20	3/8"-19	4.37	9.00	28.45	30.99	19
DAJCM907M-0408	7/16"-20	1/2"-14	4.37	12.00	30.70	37.30	22
DAJCM907M-0502	1/2"-20	1/8"-28	5.94	4.50	24.13	19.81	14
DAJCM907M-0504	1/2"-20	1/4"-19	5.94	6.00	26.67	27.69	14
DAJCM907M-0506	1/2"-20	3/8"-19	5.94	9.00	28.50	31.00	19
DAJCM907M-0602	9/16"-18	1/8"-28	7.54	4.50	26.90	22.90	14
DAJCM907M-0604	9/16"-18	1/4"-19	7.54	6.00	26.90	27.70	14
DAJCM907M-0606	9/16"-18	3/8"-19	7.54	9.00	29.00	31.00	19
DAJCM907M-0608	9/16"-18	1/2"-14	7.54	12.00	31.00	37.50	22
DAJCM907M-0612	9/16"-18	3/4"-14	7.54	16.70	33.30	40.40	27
DAJCM907M-0704	5/8"-18	1/4"-19	7.14	6.00	31.75	31.00	19
DAJCM907M-0706	5/8"-18	3/8"-19	7.14	9.00	31.75	31.00	19
DAJCM907M-0802	3/4"-16	1/8"-28	9.93	4.50	31.80	27.00	19
DAJCM907M-0804	3/4"-16	1/4"-19	9.93	6.00	31.80	31.00	19

DAJCM907M-0806	3/4"-16	3/8"-19	9.93	9.00	31.80	31.00	19
DAJCM907M-0808	3/4"-16	1/2"-14	9.93	12.00	33.80	37.30	22
DAJCM907M-0810	3/4"-16	5/8"-14	9.93	14.00	36.00	39.00	27
DAJCM907M-0812	3/4"-16	3/4"-14	9.93	16.70	36.10	40.40	27
DAJCM907M-0816	3/4"-16	1"-11	9.93	22.20	38.80	50.00	33
DAJCM907M-1006	7/8"-14	3/8"-19	12.29	9.00	36.80	32.50	22
DAJCM907M-1008	7/8"-14	1/2"-14	12.29	12.00	36.80	37.30	22
DAJCM907M-1010	7/8"-14	5/8"-14	12.29	14.00	39.00	39.00	27
DAJCM907M-1012	7/8"-14	3/4"-14	12.29	16.70	39.10	40.40	27
DAJCM907M-1016	7/8"-14	1"-11	12.29	22.20	41.70	50.00	33
DAJCM907M-1206	1-1/16"-12	3/8"-19	15.47	9.00	42.20	36.00	27
DAJCM907M-1208	1-1/16"-12	1/2"-14	15.47	12.00	42.20	40.40	27
DAJCM907M-1212	1-1/16"-12	3/4"-14	15.47	16.70	42.20	40.40	27
DAJCM907M-1216	1-1/16"-12	1"-11	15.47	22.20	44.70	50.00	33
DAJCM907M-1220	1-1/16"-12	1-1/4"-11	15.47	28.60	50.00	60.50	41
DAJCM907M-1608	1-5/16"-12	1/2"-14	21.44	12.00	46.00	45.00	33
DAJCM907M-1612	1-5/16"-12	3/4"-14	21.44	16.70	46.00	45.20	33
DAJCM907M-1616	1-5/16"-12	1"-11	21.44	22.20	46.00	50.00	33
DAJCM907M-1620	1-5/16"-12	1-1/4"-11	21.44	28.60	51.10	60.50	41
DAJCM907M-1632	1-5/16"-12	2"-11	21.44	46.00	71.00	76.19	65
DAJCM907M-2016	1-5/8"-12	1"-11	27.83	22.20	52.30	59.70	41
DAJCM907M-2020	1-5/8"-12	1-1/4"-11	27.83	28.60	52.30	60.50	41
DAJCM907M-2024	1-5/8"-12	1-1/2"-11	27.83	33.30	56.00	67.10	48
DAJCM907M-2420	1-7/8"-12	1-1/4"-11	33.32	28.60	59.20	67.10	48
DAJCM907M-2424	1-7/8"-12	1-1/2"-11	33.32	33.30	59.20	67.10	48
DAJCM907M-2432	1-7/8"-12	2"-11	33.32	46.00	71.40	76.20	65
DAJCM907M-3224	2-1/2"-12	1-1/2"-11	45.24	33.30	77.70	75.40	63.5
DAJCM907M-3232	2-1/2"-12	2"-11	45.24	45.00	77.70	76.10	65



## DAJCM907F

90° Elbow Connector JIC Male – BSPT Female

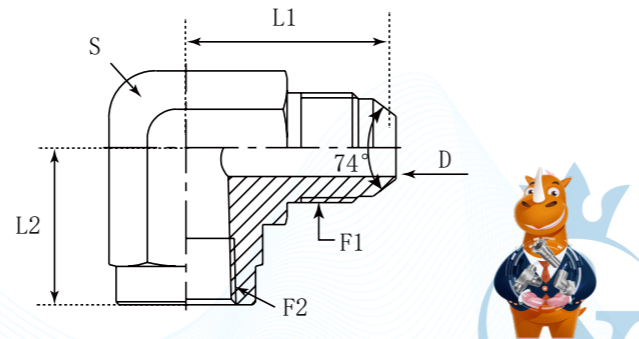
<b>D</b>	<b>A</b>	<b>JC</b>	<b>M</b>	<b>9</b>	<b>07</b>	<b>F</b>
Company	Product Range	Thread Types	Connection Type	Adaptor Structure	Thread Types	Connection Type
<b>DME</b>	Adaptor	JIC UNF	Male	90° Elbow	BSPT	Female

German Technology Equipment

**SHIELD FLEX**

New-Standard

- DME&JDE Code: **DAJCM907F**
- Product Type: **Hydraulic adaptor**
- Standard: **JIC and SAE-ORB**
- Structure: **90° Elbow**
- Connection Type: **Male x Female**
- Thread Types: **UNF x BSPT**



PART NUMBER	F1 (Thread)	F2 (Thread)	D	L1	L2	S
#	UNF	BSPT	mm	mm	mm	mm
DAJCM907F-0402	7/16"-20	1/8"-28	4.37	27.4	16.8	14
DAJCM907F-0604	9/16"-18	1/4"-19	7.54	31.2	22.4	19
DAJCM907F-0806	3/4"-16	3/8"-19	9.93	36.1	25.9	22.22
DAJCM907F-0808	3/4"-16	1/2"-14	9.93	38.61	31.24	27
DAJCM907F-1008	7/8"-14	1/2"-14	12.3	41.7	31.2	27
DAJCM907F-1212	1-1/16"-12	3/4"-14	15.47	48	34.5	33
DAJCM907F-1616	1-5/16"-12	1"-11	21.44	55.1	41.1	41

## DAJCM900B

90° Elbow Connector JIC Male – Butt weld Tube

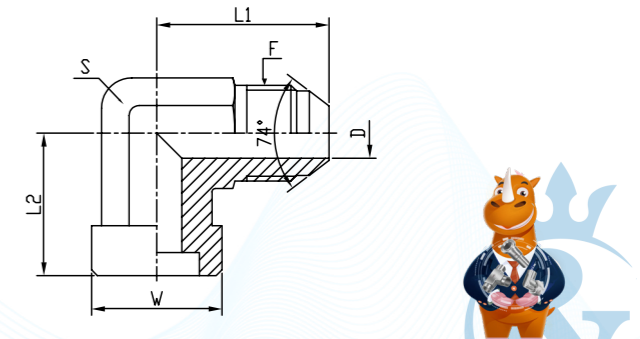
<b>D</b>	<b>A</b>	<b>JC</b>	<b>M</b>	<b>9</b>	<b>00</b>	<b>B</b>
Company	Product Range	Thread Types	Connection Type	Adaptor Structure	Sealing Type	Welding Type
<b>DME</b>	Adaptor	JIC UNF	Male	90° Elbow	Welding	Socket

German Technology Equipment

**SHIELD FLEX**

New-Standard

- DME&JDE Code: **DAJCM900B**
- Product Type: **Hydraulic adaptor**
- Standard: **JIC and SAE-ORB**
- Structure: **90° Elbow**
- Connection Type: **Male**
- Thread Types: **UNF**
- Sealing Method: **Welding**



PART NUMBER	F (Thread)	D	W	L1	L2	S	Hex
#	UNF	mm	mm	mm	mm	-	-
DAJCM900B-0406	7/16"-20	4.37	6.00	22.50	10.50	11 mm	Metric
DAJCM900B-0406IN	7/16"-20	4.37	6.00	22.50	10.50	7/16"	Imperial
DAJCM900B-0510	1/2"-20	5.94	10.00	27.00	16.00	14 mm	Metric
DAJCM900B-0510IN	1/2"-20	5.94	10.00	27.00	16.00	9/16"	Imperial
DAJCM900B-0610	9/16"-18	7.54	10.00	27.00	16.00	14 mm	Metric
DAJCM900B-0612	9/16"-18	7.54	12.00	29.00	18.00	19 mm	Metric
DAJCM900B-0610IN	9/16"-18	7.54	10.00	27.00	16.00	9/16"	Imperial
DAJCM900B-0612IN	9/16"-18	7.54	12.00	29.00	18.00	3/4"	Imperial
DAJCM900B-0812	3/4"-16	9.93	12.00	31.50	18.00	19 mm	Metric
DAJCM900B-0816	3/4"-16	9.93	16.00	34.00	20.00	22 mm	Metric
DAJCM900B-0812IN	3/4"-16	9.93	12.00	31.50	18.00	3/4"	Imperial
DAJCM900B-0816IN	3/4"-16	9.93	16.00	34.00	20.00	7/8"	Imperial
DAJCM900B-1014	7/8"-14	12.29	14.00	36.50	20.00	22 mm	Metric
DAJCM900B-1016	7/8"-14	12.29	16.00	36.50	20.00	22 mm	Metric
DAJCM900B-1018	7/8"-14	12.29	18.00	40.00	23.00	27 mm	Metric
DAJCM900B-1022	7/8"-14	12.29	22.00	40.00	23.00	27 mm	Metric
DAJCM900B-1014IN	7/8"-14	12.29	14.00	36.50	20.00	7/8"	Imperial
DAJCM900B-1016IN	7/8"-14	12.29	16.00	36.50	20.00	7/8"	Imperial
DAJCM900B-1018IN	7/8"-14	12.29	18.00	40.00	23.00	1-1/8"	Imperial
DAJCM900B-1022IN	7/8"-14	12.29	22.00	40.00	23.00	1-1/8"	Imperial
DAJCM900B-1218	1-1/16"-12	15.47	18.00	42.00	23.00	27 mm	Metric
DAJCM900B-1220	1-1/16"-12	15.47	20.00	42.00	23.00	27 mm	Metric
DAJCM900B-1225	1-1/16"-12	15.47	25.00	46.00	26.00	33 mm	Metric
DAJCM900B-1218IN	1-1/16"-12	15.47	18.00	42.00	23.00	1-1/8"	Imperial
DAJCM900B-1220IN	1-1/16"-12	15.47	20.00	42.00	23.00	1-1/8"	Imperial
DAJCM900B-1225IN	1-1/16"-12	15.47	25.00	46.00	26.00	1-5/16"	Imperial
DAJCM900B-1625	1-5/16"-12	21.44	25.00	46.00	26.00	33 mm	Metric
DAJCM900B-1632	1-5/16"-12	21.44	32.00	51.00	33.00	41 mm	Metric
DAJCM900B-1625IN	1-5/16"-12	21.44	25.00	46.00	26.00	1-5/16"	Imperial
DAJCM900B-1632IN	1-5/16"-12	21.44	32.00	51.00	33.00	1-1/2"	Imperial
DAJCM900B-2030	1-5/8"-12	27.38	30.00	52.00	33.00	41 mm	Metric
DAJCM900B-2032	1-5/8"-12	27.38	32.00	52.00	33.00	41 mm	Metric
DAJCM900B-2038	1-5/8"-12	27.38	38.00	56.00	35.00	48 mm	Metric
DAJCM900B-2030IN	1-5/8"-12	27.38	30.00	52.00	33.00	1-1/2"	Imperial
DAJCM900B-2032IN	1-5/8"-12	27.38	32.00	52.00	33.00	1-1/2"	Imperial
DAJCM900B-2038IN	1-5/8"-12	27.38	38.00	56.00	35.00	1-7/8"	Imperial
DAJCM900B-2438	1-7/8"-12	33.32	38.00	59.00	35.00	48 mm	Metric
DAJCM900B-2438IN	1-7/8"-12	33.32	38.00	59.00	35.00	1-7/8"	Imperial



## DAJCM900S

90° Elbow Connector JIC Male – Braze Female

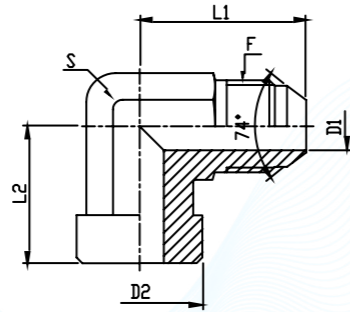
<b>D</b>	<b>A</b>	<b>JC</b>	<b>M</b>	<b>9</b>	<b>00</b>	<b>S</b>
Company	Product Range	Thread Types	Connection Type	Adaptor Structure	Sealing Type	Welding Type
<b>DME</b>	Adaptor	JIC UNF	Male	90° Elbow	Welding	Butt Welding

German Technology Equipment

**SHIELD FLEX**

New-Standard

- DME&JDE Code: **DAJCM900S**
- Product Type: **Hydraulic adaptor**
- Standard: **JIC and SAE-ORB**
- Structure: **90° Elbow**
- Connection Type: **Male × Female**
- Thread Types: **UNF**
- Sealing Method: **Welding**



PART NUMBER	F (Thread)	D1	D2	L1	L2	S	Hex
#	UNF	mm	mm	mm	mm	-	-
DAJCM900S-0415	7/16"-20	4.37	15.00	31.00	22.50	Metric	19 mm
DAJCM900S-0515	1/2"-20	5.94	15.00	31.00	22.50	Metric	19 mm
DAJCM900S-0610	9/16"-18	7.54	10.00	26.90	22.50	Metric	14 mm
DAJCM900S-0615	9/16"-18	7.54	15.00	31.00	22.50	Metric	19 mm
DAJCM900S-0812	3/4"-16	9.93	12.00	32.00	26.00	Metric	19 mm
DAJCM900S-0816	3/4"-16	9.93	16.00	37.00	31.00	Metric	19 mm
DAJCM900S-0820	3/4"-16	9.93	20.00	36.00	26.00	Metric	22 mm
DAJCM900S-1012	7/8"-14	12.30	12.00	36.80	26.00	Metric	22 mm
DAJCM900S-1022	7/8"-14	12.29	23.00	41.50	31.00	Metric	22 mm
DAJCM900S-1228	1-1/16"-12	15.47	28.00	48.00	34.50	Metric	30 mm
DAJCM900S-1434	1-3/16"-12	18.26	34.00	48.00	36.00	Metric	36 mm
DAJCM900S-1635	1-5/16"-12	21.44	35.00	55.00	41.00	Metric	36 mm
DAJCM900S-2042	1-5/8"-12	27.38	42.00	59.00	43.00	Metric	41 mm
DAJCM900S-2450	1-7/8"-12	33.32	50.00	73.50	53.00	Metric	50 mm

## DAJCM9081

90° Elbow Connector JIC Male – BSPP Swivel Female 60°

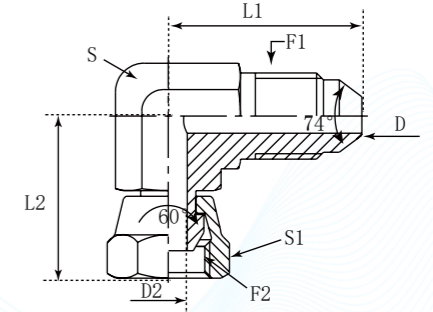
<b>D</b>	<b>A</b>	<b>JC</b>	<b>M</b>	<b>9</b>	<b>081</b>
Company	Product Range	Thread Types	Connection Type	Adaptor Structure	Connection Type
<b>DME</b>	Adaptor	JIC UNF	Male	90° Elbow	BSPP Swivel Female

German Technology Equipment

**SHIELD FLEX**

New-Standard

- DME&JDE Code: **DAJCM9081**
- Product Type: **Hydraulic adaptor**
- Standard: **JIC and SAE-ORB**
- Structure: **90° Elbow**
- Connection Type: **Male × Swivel Female**
- Thread Types: **UNF × BSPP 60°**



PART NUMBER	F1 (Thread)	F2 (Thread)	C	L	D1	D2	S	S1
#	UNF	BSPP	mm	mm	mm	mm	mm	mm
DAJCM9081-0404	7/16"-20	1/4"-19	4.37	4.37	22.60	22.60	11.00	19.00
DAJCM9081-0606	9/16"-18	3/8"-19	7.54	7.54	26.90	26.90	19.00	22.00
DAJCM9081-0806	3/4"-16	3/8"-19	9.93	7.54	31.50	28.00	19.00	22.00
DAJCM9081-0808	3/4"-16	1/2"-14	9.90	11.10	31.80	31.80	19.00	27.00
DAJCM9081-1010	7/8"-14	5/8"-14	12.29	14.30	36.80	35.00	22	30.00
DAJCM9081-1212	1-1/16"-12	3/4"-14	15.47	16.70	42.20	42.20	27.00	32.00
DAJCM9081-1616	1-5/16"-12	1"-11	21.44	21.44	46.00	46.00	33.00	41.00



# DAJCM9251

90° Elbow Connector JIC Male – JIC Swivel Female

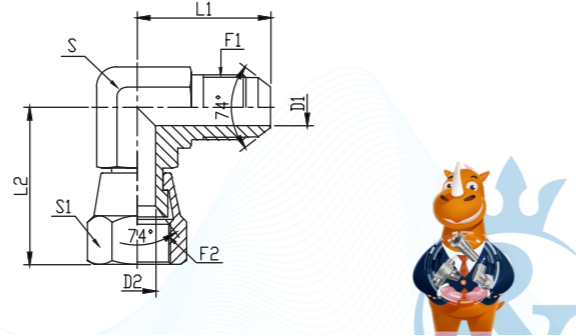
<b>D</b>	<b>A</b>	<b>JC</b>	<b>M</b>	<b>9</b>	<b>251</b>
Company	Product Range	Thread Types	Connection Type	Adaptor Structure	Connection Type
<b>DME</b>	Adaptor	JIC UNF	Male	90° Elbow	JIC Swivel Female

German Technology Equipment

**SHIELD FLEX**

New-Standard

- DME&JDE Code:** DAJCM9251
- Product Type:** Hydraulic adaptor
- Standard:** JIC and SAE-ORB
- Structure:** 90° Elbow
- Connection Type:** Male x Swivel Female
- Thread Types:** UNF x UNF



PART NUMBER	F1 (Thread)	F2 (Thread)	L1	L2	D1	D2	S	S1	Hex
#	UNF	UNF	mm	mm	mm	mm	-	-	-
DAJCM9251-0202	5/16"-24	5/16"-24	19.60	17.00	1.57	1.57	11 mm	11 mm	Metric
DAJCM9251-0202IN	5/16"-24	5/16"-24	19.60	17.00	1.57	1.57	7/16"	7/16"	Imperial
DAJCM9251-0303	3/8"-24	3/8"-24	21.08	17.07	3.18	3.18	11 mm	12 mm	Metric
DAJCM9251-0303IN	3/8"-24	3/8"-24	21.08	17.07	3.18	3.18	7/16"	1/2"	Imperial
DAJCM9251-0404	7/16"-20	7/16"-20	22.61	16.66	4.37	4.37	11 mm	14 mm	Metric
DAJCM9251-0406	7/16"-20	9/16"-18	26.67	22.22	4.37	7.54	14 mm	19 mm	Metric
DAJCM9251-0404IN	7/16"-20	7/16"-20	22.61	16.66	4.37	4.37	7/16"	9/16"	Imperial
DAJCM9251-0406IN	7/16"-20	9/16"-18	26.67	22.22	4.37	7.54	9/16"	11/16"	Imperial
DAJCM9251-0505	1/2"-20	1/2"-20	24.13	17.40	5.94	5.94	14 mm	17 mm	Metric
DAJCM9251-0506	1/2"-20	9/16"-18	26.67	22.23	5.94	7.54	14 mm	19 mm	Metric
DAJCM9251-0505IN	1/2"-20	1/2"-20	24.13	17.40	5.94	5.94	9/16"	5/8"	Imperial
DAJCM9251-0506IN	1/2"-20	9/16"-18	26.67	22.23	5.94	7.54	9/16"	11/16"	Imperial
DAJCM9251-0604	9/16"-18	7/16"-20	26.90	22.22	7.54	4.37	14 mm	14 mm	Metric
DAJCM9251-0605	9/16"-18	1/2"-20	26.90	17.40	7.54	5.94	14 mm	17 mm	Metric
DAJCM9251-0606	9/16"-18	9/16"-18	26.92	22.22	7.54	7.54	14 mm	19 mm	Metric
DAJCM9251-0608	9/16"-18	3/4"-16	29.00	24.33	7.54	9.93	19 mm	22 mm	Metric
DAJCM9251-0604IN	9/16"-18	7/16"-20	26.90	22.22	7.54	4.37	9/16"	9/16"	Imperial
DAJCM9251-0605IN	9/16"-18	1/2"-20	26.90	17.40	7.54	5.94	9/16"	5/8"	Imperial
DAJCM9251-0606IN	9/16"-18	9/16"-18	26.92	22.22	7.54	7.54	9/16"	11/16"	Imperial
DAJCM9251-0608IN	9/16"-18	3/4"-16	29.00	24.33	7.54	9.93	3/4"	7/8"	Imperial
DAJCM9251-0707	5/8"-18	5/8"-18	31.75	24.33	7.14	7.14	19 mm	22 mm	Metric
DAJCM9251-0707IN	5/8"-18	5/8"-18	31.75	24.33	7.14	7.14	3/4"	7/8"	Imperial
DAJCM9251-0806	3/4"-16	9/16"-18	31.80	23.10	9.93	7.54	19 mm	19 mm	Metric

Web: <https://www.dmejde.com>  
E-mail: [info@dmejde.com](mailto:info@dmejde.com)



DAJCM9251-0808	3/4"-16	3/4"-16	31.75	24.33	9.93	9.93	19 mm	22 mm	Metric
DAJCM9251-0810	3/4"-16	7/8"-14	33.80	28.45	9.93	12.29	22 mm	27 mm	Metric
DAJCM9251-0812	3/4"-16	1-1/16"-12	36.10	30.20	9.93	15.47	27 mm	32 mm	Metric
DAJCM9251-0806IN	3/4"-16	9/16"-18	31.80	23.10	9.93	7.54	3/4"	11/16"	Imperial
DAJCM9251-0808IN	3/4"-16	3/4"-16	31.75	24.33	9.93	9.93	3/4"	7/8"	Imperial
DAJCM9251-0810IN	3/4"-16	7/8"-14	33.80	28.45	9.93	12.29	7/8"	1"	Imperial
DAJCM9251-0812IN	3/4"-16	1-1/16"-12	36.10	30.20	9.93	15.47	1-1/16"	1-1/4"	Imperial
DAJCM9251-1008	7/8"-14	3/4"-16	36.80	26.16	12.29	9.93	22 mm	22 mm	Metric
DAJCM9251-1010	7/8"-14	7/8"-14	36.83	28.45	12.29	12.29	22 mm	27 mm	Metric
DAJCM9251-1012	7/8"-14	1-1/16"-12	39.20	30.20	12.29	15.47	27 mm	32 mm	Metric
DAJCM9251-1008IN	7/8"-14	3/4"-16	36.80	26.16	12.29	9.93	7/8"	7/8"	Imperial
DAJCM9251-1010IN	7/8"-14	7/8"-14	36.83	28.45	12.29	12.29	7/8"	1"	Imperial
DAJCM9251-1012IN	7/8"-14	1-1/16"-12	39.20	30.20	12.29	15.47	1-1/16"	1-1/4"	Imperial
DAJCM9251-1206	1-1/16"-12	9/16"-18	42.20	27.24	15.47	7.54	27 mm	19 mm	Metric
DAJCM9251-1208	1-1/16"-12	3/4"-16	42.20	28.53	15.47	9.93	27 mm	22 mm	Metric
DAJCM9251-1210	1-1/16"-12	7/8"-14	42.20	29.46	15.47	12.29	27 mm	27 mm	Metric
DAJCM9251-1212	1-1/16"-12	1-1/16"-12	42.16	30.18	15.47	15.47	27 mm	32 mm	Metric
DAJCM9251-1216	1-1/16"-12	1-5/16"-12	44.70	35.71	15.47	21.44	33 mm	41 mm	Metric
DAJCM9251-1206IN	1-1/16"-12	9/16"-18	42.20	27.24	15.47	7.54	1-1/16"	11/16"	Imperial
DAJCM9251-1208IN	1-1/16"-12	3/4"-16	42.20	28.53	15.47	9.93	1-1/16"	7/8"	Imperial
DAJCM9251-1210IN	1-1/16"-12	7/8"-14	42.20	29.46	15.47	12.29	1-1/16"	1"	Imperial
DAJCM9251-1212IN	1-1/16"-12	1-1/16"-12	42.16	30.18	15.47	15.47	1-1/16"	1-1/4"	Imperial
DAJCM9251-1216IN	1-1/16"-12	1-5/16"-12	44.70	35.71	15.47	21.44	1-5/16"	1-1/2"	Imperial
DAJCM9251-1414	1-3/16"-12	1-3/16"-12	45.70	30.53	18.26	18.26	33 mm	36 mm	Metric
DAJCM9251-1414IN	1-3/16"-12	1-3/16"-12	45.70	30.53	18.26	18.26	1-5/16"	1-3/8"	Imperial
DAJCM9251-1612	1-5/16"-12	1-1/16"-12	45.97	35.26	21.44	15.50	33 mm	32 mm	Metric
DAJCM9251-1616	1-5/16"-12	1-5/16"-12	45.97	35.71	21.44	21.44	33 mm	41 mm	Metric
DAJCM9251-1620	1-5/16"-12	1-5/8"-12	51.10	42.80	21.44	27.42	41 mm	50 mm	Metric
DAJCM9251-1612IN	1-5/16"-12	1-1/16"-12	45.97	35.26	21.44	15.50	1-5/16"	1-1/4"	Imperial
DAJCM9251-1616IN	1-5/16"-12	1-5/16"-12	45.97	35.71	21.44	21.44	1-5/16"	1-1/2"	Imperial
DAJCM9251-1620IN	1-5/16"-12	1-5/8"-12	51.10	42.80	21.44	27.42	1-5/8"	2"	Imperial
DAJCM9251-2016	1-5/8"-12	1-5/16"-12	52.30	41.40	27.38	21.44	41 mm	41 mm	Metric
DAJCM9251-2020	1-5/8"-12	1-5/8"-12	52.30	42.80	27.38	27.42	41 mm	50 mm	Metric
DAJCM9251-2024	1-5/8"-12	1-7/8"-12	56.00	47.14	27.38	33.32	48 mm	55 mm	Metric
DAJCM9251-2016IN	1-5/8"-12	1-5/16"-12	52.30	41.40	27.38	21.44	1-5/8"	1-1/2"	Imperial
DAJCM9251-2020IN	1-5/8"-12	1-5/8"-12	52.30	42.80	27.38	27.42	1-5/8"	2"	Imperial
DAJCM9251-2024IN	1-5/8"-12	1-7/8"-12	56.00	47.14	27.38	33.32	1-7/8"	2-1/4"	Imperial
DAJCM9251-2424	1-7/8"-12	1-7/8"-12	59.18	47.14	33.32	33.32	48 mm	55 mm	Metric
DAJCM9251-2424IN	1-7/8"-12	1-7/8"-12	59.18	47.14	33.32	33.32	1-7/8"	2-1/4"	Imperial
DAJCM9251-3232	2-1/2"-12	2-1/2"-12	77.70	61.98	45.24	45.24	65 mm	75 mm	Metric
DAJCM9251-3232IN	2-1/2"-12	2-1/2"-12	77.70	61.98	45.24	45.24	2-1/2"	2-7/8"	Imperial



Web: <https://www.dmejde.com>  
E-mail: [info@dmejde.com](mailto:info@dmejde.com)



## DAJC19305

90° Adjustable Elbow JIC Swivel Female – SAE Male O Ring

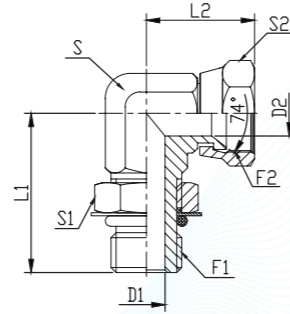
<b>D</b>	<b>A</b>	<b>JC</b>	<b>1</b>	<b>9</b>	<b>30</b>	<b>5</b>
Company	Product Range	Thread Types	Connection Type	Adaptor Structure	Thread Types	Connection Type
<b>DME</b>	Adaptor	JIC UNF	Swivel Female	90° Elbow	SAE UNF	Male O Ring

**German Technology Equipment**

**SHIELD FLEX**

New-Standard

- DME&JDE Code:** DAJC19305
- Product Type:** Hydraulic adaptor
- Standard:** JIC and SAE-ORB
- Structure:** 90° Elbow
- Connection Type:** Swivel Female x Male
- Thread Types:** UNF x UNF
- Sealing Method:** O Ring



PART NUMBER	F1 (Thread)	F2 (Thread)	D1	D2	L1	L2	S	S1	S2	Hex
#	UNF	UNF	mm	mm	mm	mm	-	-	-	-
DAJC19305-0404	7/16"-20	7/16"-20	4.37	4.37	16.66	26.20	11 mm	14 mm	14 mm	Metric
DAJC19305-0406	7/16"-20	9/16"-18	4.37	7.54	20.50	31.80	14 mm	14 mm	14 mm	Metric
DAJC19305-0404IN	7/16"-20	7/16"-20	4.37	4.37	16.66	26.20	7/16"	9/16"	9/16"	Imperial
DAJC19305-0406IN	7/16"-20	9/16"-18	4.37	7.54	20.50	31.80	9/16"	9/16"	9/16"	Imperial
DAJC19305-0604	9/16"-18	7/16"-20	7.54	4.37	22.22	30.20	14 mm	17 mm	14 mm	Metric
DAJC19305-0606	9/16"-18	9/16"-18	7.54	7.54	22.22	31.80	14 mm	17 mm	17 mm	Metric
DAJC19305-0608	9/16"-18	3/4"-16	7.54	9.93	27.18	36.80	19 mm	17 mm	22 mm	Metric
DAJC19305-0604IN	9/16"-18	7/16"-20	7.54	4.37	22.22	30.20	9/16"	11/16"	9/16"	Imperial
DAJC19305-0606IN	9/16"-18	9/16"-18	7.54	7.54	22.22	31.80	9/16"	11/16"	11/16"	Imperial
DAJC19305-0608IN	9/16"-18	3/4"-16	7.54	9.93	27.18	36.80	3/4"	11/16"	7/8"	Imperial
DAJC19305-0806	3/4"-16	9/16"-18	9.93	7.54	24.13	33.50	19 mm	22 mm	17 mm	Metric
DAJC19305-0808	3/4"-16	3/4"-16	9.93	9.93	24.33	36.80	19 mm	22 mm	22 mm	Metric
DAJC19305-0810	3/4"-16	7/8"-14	9.93	12.29	26.70	43.20	22 mm	22 mm	27 mm	Metric
DAJC19305-0812	3/4"-16	1-1/16"-12	9.93	15.47	28.50	49.30	27 mm	22 mm	32 mm	Metric
DAJC19305-0806IN	3/4"-16	9/16"-18	9.93	7.54	24.13	33.50	3/4"	7/8"	11/16"	Imperial
DAJC19305-0808IN	3/4"-16	3/4"-16	9.93	9.93	24.33	36.80	3/4"	7/8"	7/8"	Imperial
DAJC19305-0810IN	3/4"-16	7/8"-14	9.93	12.29	26.70	43.20	7/8"	7/8"	1"	Imperial
DAJC19305-0812IN	3/4"-16	1-1/16"-12	9.93	15.47	28.50	49.30	1-1/16"	7/8"	1-1/4"	Imperial
DAJC19305-1008	7/8"-14	3/4"-16	12.29	9.93	28.45	39.10	22 mm	27 mm	22 mm	Metric
DAJC19305-1010	7/8"-14	7/8"-14	12.29	12.29	28.45	43.20	22 mm	27 mm	27 mm	Metric
DAJC19305-1012	7/8"-14	1-1/16"-12	12.29	15.47	29.30	49.30	27 mm	27 mm	32 mm	Metric
DAJC19305-1008IN	7/8"-14	3/4"-16	12.29	9.93	28.45	39.10	7/8"	1"	7/8"	Imperial
DAJC19305-1010IN	7/8"-14	7/8"-14	12.29	12.29	28.45	43.20	7/8"	1"	1"	Imperial
DAJC19305-1012IN	7/8"-14	1-1/16"-12	12.29	15.47	29.30	49.30	1-1/16"	1"	1-1/4"	Imperial
DAJC19305-1212	1-1/16"-12	1-1/16"-12	15.47	15.47	30.18	49.30	27 mm	32 mm	32 mm	Metric
DAJC19305-1216	1-5/16"-12	1-1/16"-12	21.44	15.47	51.10	35.26	33 mm	41 mm	32 mm	Metric
DAJC19305-1212IN	1-1/16"-12	1-1/16"-12	15.47	15.47	30.18	49.30	1-1/16"	1-1/4"	1-1/4"	Imperial
DAJC19305-1216IN	1-5/16"-12	1-1/16"-12	21.44	15.47	51.10	35.26	1-5/16"	1-1/2"	1-1/4"	Imperial
DAJC19305-1616	1-5/16"-12	1-5/16"-12	21.44	21.44	35.71	51.10	33 mm	41 mm	41 mm	Metric
DAJC19305-1616IN	1-5/16"-12	1-5/16"-12	21.44	21.44	35.71	51.10	1-5/16"	1-1/2"	1-1/2"	Imperial
DAJC19305-2020	1-5/8"-12	1-5/8"-12	27.38	27.38	42.80	57.20	41 mm	50 mm	50 mm	Metric
DAJC19305-2020IN	1-5/8"-12	1-5/8"-12	27.38	27.38	42.80	57.20	1-5/8"	2"	1-7/8"	Imperial
DAJC19305-2424	1-7/8"-12	1-7/8"-12	33.32	33.32	47.14	60.70	50 mm	58 mm	55 mm	Metric
DAJC19305-2424IN	1-7/8"-12	1-7/8"-12	33.32	33.32	47.14	60.70	1-7/8"	2-1/4"	2-1/8"	Imperial

## DAJC1928M

90° Elbow Connector JIC Swivel Female – NPTF Male 60°

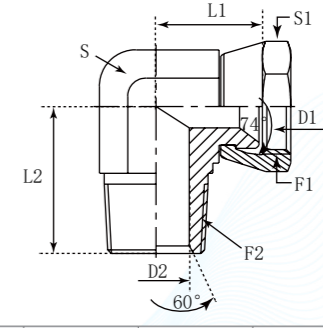
<b>D</b>	<b>A</b>	<b>JC</b>	<b>1</b>	<b>9</b>	<b>28</b>	<b>M</b>
Company	Product Range	Thread Types	Connection Type	Adaptor Structure	Thread Types	Connection Type
<b>DME</b>	Adaptor	JIC UNF	Swivel Female	90° Elbow	NPTF	Male

**German Technology Equipment**

**SHIELD FLEX**

New-Standard

- DME&JDE Code:** DAJC1928M
- Product Type:** Hydraulic adaptor
- Standard:** JIC and SAE-ORB
- Structure:** 90° Elbow
- Connection Type:** Swivel Female x Male
- Thread Types:** UNF x NPTF 60°



PART NUMBER	F1 (Thread)	F2 (Thread)	D1	D2	L1	L2	S	S1	S2	Hex
#	UNF	NPTF	mm	mm	mm	mm	-	-	-	-
DAJC1928M-0202	5/16"-24	1/8"-27	1.57	4.78	16.66	19.81	11 mm	11 mm	11 mm	Metric
DAJC1928M-0202IN	5/16"-24	1/8"-27	1.57	4.78	16.66	19.81	7/16"	7/16"	7/16"	Imperial
DAJC1928M-0402	7/16"-20	1/8"-27	4.37	4.78	16.66	19.81	11 mm	14 mm	14 mm	Metric
DAJC1928M-0404	7/16"-20	1/4"-18	4.37	7.14	18.79	26.30	14 mm	14 mm	14 mm	Metric
DAJC1928M-0406	7/16"-20	3/8"-18	4.37	10.31	22.00	29.80	19 mm	14 mm	14 mm	Metric
DAJC1928M-0402IN	7/16"-20	1/8"-27	4.37	4.78	16.66	19.81	7/16"	9/16"	9/16"	Imperial
DAJC1928M-0404IN	7/16"-20	1/4"-18	4.37	7.14	18.79	26.30	9/16"	9/16"	9/16"	Imperial
DAJC1928M-0406IN	7/16"-20	3/8"-18	4.37	10.31	22.00	29.80	3/4"	9/16"	9/16"	Imperial
DAJC1928M-0502	1/2"-20	1/8"-27	5.94	4.78	17.40	27.10	14 mm	17 mm	17 mm	Metric
DAJC1928M-0504	1/2"-20	1/4"-18	5.94	7.14	17.40	27.10	14 mm	17 mm	17 mm	Metric
DAJC1928M-0502IN	1/2"-20	1/8"-27	5.94	4.78	17.40	27.10	9/16"	5/8"	5/8"	Imperial
DAJC1928M-0504IN	1/2"-20	1/4"-18	5.94	7.14	17.40	27.10	9/16"	5/8"	5/8"	Imperial
DAJC1928M-0604	9/16"-18	1/4"-18	7.54	7.14	22.22	27.70	14 mm	17 mm	17 mm	Metric
DAJC1928M-0606	9/16"-18	3/8"-18	7.54	10.31	22.22	31.80	19 mm	17 mm	17 mm	Metric
DAJC1928M-0608	9/16"-18	1/2"-14	7.54	13.49	26.54	37.30	22 mm	17 mm	17 mm	Metric
DAJC1928M-0604IN	9/16"-18	1/4"-18	7.54	7.14	22.22	27.70	9/16"	11/16"	11/16"	Imperial
DAJC1928M-0606IN	9/16"-18	3/8"-18	7.54	10.31	22.22	31.80	3/4"	11/16"	11/16"	Imperial
DAJC1928M-0608IN	9/16"-18	1/2"-14	7.54	13.49	26.54	37.30	7/8"	11/16"	11/16"	Imperial
DAJC1928M-0806	3/4"-16	3/8"-18	9.93	10.31	24.33	31.00	19 mm	22 mm	22 mm	Metric
DAJC1928M-0808	3/4"-16	1/2"-14	9.93	13.49	27.19	37.30	22 mm	22 mm	22 mm	Metric
DAJC1928M-0812	3/4"-16	3/4"-14	9.93	18.26	28.45	40.40	27 mm	22 mm	22 mm	Metric
DAJC1928M-0806IN	3/4"-16	3/8"-18	9.93	10.31	24.33	31.00	3/4"	7/8"	7/8"	Imperial
DAJC1928M-0808IN	3/4"-16	1/2"-14	9.93	13.49	27.19	37.30	7/8"	7/8"	7/8"	Imperial
DAJC1928M-0812IN	3/4"-16	3/4"-14	9.93	18.26	28.45	40.40	1-1/16"	7/8"	7/8"	Imperial
DAJC1928M-1008	7/8"-14	1/2"-14	12.29	13.49	28.45	37.30	22 mm	27 mm	27 mm	Metric
DAJC1928M-1008IN	7/8"-14	1/2"-14	12.29	13.49	28.45	37.30	7/8"	1"	1"	Imperial
DAJC1928M-1208	1-1/16"-12	1/2"-14	15.47	13.49	30.10	40.40	27 mm	32 mm	32 mm	Metric
DAJC1928M-1212	1-1/16"-12	3/4"-14	15.47	18.26	30.18	40.40	27 mm	32 mm	32 mm	Metric
DAJC1928M-1208IN	1-1/16"-12	1/2"-14	15.47	13.49	30.10	40.40	1-1/16"	1-1/4"	1-1/4"	Imperial
DAJC1928M-1212IN	1-1/16"-12	3/4"-14	15.47	18.26	30.18	40.40	1-1/16"	1-1/4"	1-1/4"	Imperial
DAJC1928M-1412	1-3/16"-12	3/4"-14	18.26	18.26	35.70	51.00	33 mm	36 mm	36 mm	Metric
DAJC1928M-1412IN	1-3/16"-12	3/4"-14	18.26	18.26	35.70	51.00	1-5/16"	1-3/8"	1-3/8"	Imperial
DAJC1928M-1612	1-5/16"-12	3/4"-14	21.44	18.26	35.71	50.00	33 mm	41 mm	41 mm	Metric
DAJC1928M-1616	1-5/16"-12	1"-11-1/2	21.44	23.83	35.71	50.00	33 mm	41 mm	41 mm	Metric
DAJC1928M-1612IN	1-5/16"-12	3/4"-14	21.44	18.26	35.71	50.00	1-5/16"	1-1/2"	1-1/2"	Imperial
DAJC1928M-1616IN	1-5/16"-12	1"-11-1/2	21.44	23.83	35.71	50.00	1-5/16"	1-1/2"	1-1/2"	Imperial
DAJC1928M-2020	1-5/8"-12	1-1/4"-11-1/2	27.38	31.75	58.90	60.50	41 mm	50 mm	50 mm	Metric
DAJC1928M-2024	1-5/8"-12	1-1/2"-11-1/2	27.38	38.10	48.77	63.91	50 mm	50 mm	50 mm	Metric
DAJC1928M-2020IN	1-5/8"-12	1-1/4"-11-1/2	27.38	31.75	58.90	60.50	1-5/8"	2"	2"	Imperial
DAJC1928M-2024IN	1-5/8"-12	1-1/2"-11-1/2	27.38	38.10	48.77	63.91	1-7/8"	2"	2"	Imperial
DAJC1928M-2424	1-7/8"-12	1-1/2"-11-1/2	33.32	38.10	48.77	65.78	50 mm	58 mm	58 mm	Metric
DAJC1928M-2424IN	1-7/8"-12	1-1/2"-11-1/2	33.32	38.10	48.77	65.78	1-7/8"	2-1/4"	2-1/4"	Imperial
DAJC1928M-3232	2-1/2"-12	2"-11-1/2	45.24	49.23	61.98	76.20	60 mm	73 mm	73 mm	Metric
DAJC1928M-3232IN	2-1/2"-12	2"-11-1/2	45.24	49.23	61.98	76.20	2-1/2"	2-7/8"	2-7/8"	Imperial

**Certificate:** ISO 9001, ISO 14001, MSHA, DIN, SAE, MA, WSF, DAkks, DEKRA, PC, SGS



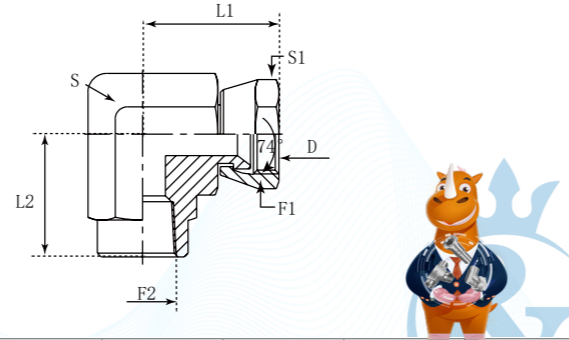
## DAJC1928F

90° Elbow Connector JIC Swivel Female – NPTF Female

<b>D</b>	<b>A</b>	<b>JC</b>	<b>1</b>	<b>9</b>	<b>28</b>	<b>F</b>
Company	Product Range	Thread Types	Connection Type	Adaptor Structure	Thread Types	Connection Type
<b>DME</b>	Adaptor	JIC UNF	Swivel Female	90° Elbow	NPTF	Female



- DME&JDE Code:** DAJC1928F
- Product Type:** Hydraulic adaptor
- Standard:** JIC and SAE-ORB
- Structure:** 90° Elbow
- Connection Type:** Swivel Female x Female
- Thread Types:** UNF x NPTF



PART NUMBER	F1 (Thread)	F2 (Thread)	D	L1	L2	S	S1	Hex
#	UNF	NPTF	mm	mm	mm	-	-	-
DAJC1928F-0404	7/16"-20	1/4"-18	4.37	30.00	22.40	19 mm	14 mm	Metric
DAJC1928F-0406	7/16"-20	3/8"-18	4.37	33.30	25.90	22 mm	14 mm	Metric
DAJC1928F-0404IN	7/16"-20	1/4"-18	4.37	30.00	22.40	3/4"	9/16"	Imperial
DAJC1928F-0406IN	7/16"-20	3/8"-18	4.37	33.30	25.90	7/8"	9/16"	Imperial
DAJC1928F-0604	9/16"-18	1/4"-18	7.54	32.70	22.40	19 mm	17 mm	Metric
DAJC1928F-0606	9/16"-18	3/8"-18	7.54	37.80	25.90	22 mm	17 mm	Metric
DAJC1928F-0608	9/16"-18	1/2"-14	7.54	37.80	31.20	27 mm	17 mm	Metric
DAJC1928F-0604IN	9/16"-18	1/4"-18	7.54	32.70	22.40	3/4"	11/16"	Imperial
DAJC1928F-0606IN	9/16"-18	3/8"-18	7.54	37.80	25.90	7/8"	11/16"	Imperial
DAJC1928F-0608IN	9/16"-18	1/2"-14	7.54	37.80	31.20	1-1/16"	11/16"	Imperial
DAJC1928F-0806	3/4"-16	3/8"-18	9.93	38.90	25.90	22 mm	22 mm	Metric
DAJC1928F-0808	3/4"-16	1/2"-14	9.93	39.50	31.20	27 mm	22 mm	Metric
DAJC1928F-0806IN	3/4"-16	3/8"-18	9.93	38.90	25.90	7/8"	7/8"	Imperial
DAJC1928F-0808IN	3/4"-16	1/2"-14	9.93	39.50	31.20	1-1/16"	7/8"	Imperial
DAJC1928F-1008	7/8"-14	1/2"-14	12.29	41.30	31.20	27 mm	27 mm	Metric
DAJC1928F-1008IN	7/8"-14	1/2"-14	12.29	41.30	31.20	1-1/16"	1"	Imperial
DAJC1928F-1212	1-1/16"-12	3/4"-14	15.47	47.40	34.50	33 mm	32 mm	Metric
DAJC1928F-1212IN	1-1/16"-12	3/4"-14	15.47	47.40	34.50	1-5/16"	1-1/4"	Imperial
DAJC1928F-1616	1-5/16"-12	1"-11-1/2	21.44	57.10	41.20	41 mm	41 mm	Metric
DAJC1928F-1616IN	1-5/16"-12	1"-11-1/2	21.44	57.10	41.20	1-5/8"	1-1/2"	Imperial

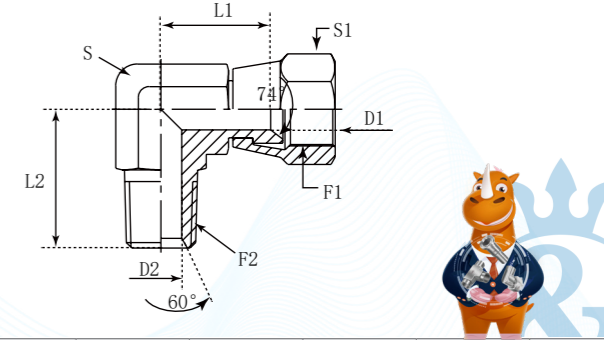
## DAJC1907M

90° Elbow JIC Swivel Female – BSPT Male 60°

<b>D</b>	<b>A</b>	<b>JC</b>	<b>1</b>	<b>9</b>	<b>07</b>	<b>M</b>
Company	Product Range	Thread Types	Connection Type	Adaptor Structure	Thread Types	Connection Type
<b>DME</b>	Adaptor	JIC UNF	Swivel Female	90° Elbow	BSPT	Male



- DME&JDE Code:** DAJC1907M
- Product Type:** Hydraulic adaptor
- Standard:** JIC and SAE-ORB
- Structure:** 90° Elbow
- Connection Type:** Swivel Female x Male
- Thread Types:** UNF x BSPT 60°



PART NUMBER	F1 (Thread)	F2 (Thread)	D1	D2	L1	L2	S	S1
#	UNF	BSPT	mm	mm	mm	mm	mm	mm
DAJC1907M-0402	7/16"-20	1/8"-28	4.37	4.5	18	19.8	11	14
DAJC1907M-0404	7/16"-20	1/4"-19	4.37	6.00	18.80	26.50	14	14
DAJC1907M-0604	9/16"-18	1/4"-19	7.54	6.00	22.22	27.70	14	19
DAJC1907M-0606	9/16"-18	3/8"-19	7.54	9.00	23.10	31.00	19	19
DAJC1907M-0612	9/16"-18	3/4"-14	7.54	16.70	26.80	39.30	27	17.45
DAJC1907M-0806	3/4"-16	3/8"-19	9.93	9.00	24.33	31.00	19	22.23
DAJC1907M-0808	3/4"-16	1/2"-14	9.93	12.00	27.20	37.50	22	22.23
DAJC1907M-1006	7/8"-14	3/8"-19	9.93	9.00	26.16	32.50	22	22
DAJC1907M-1008	7/8"-14	1/2"-14	12.29	12.00	28.45	37.34	22	27
DAJC1907M-1212	1-1/16"-12	3/4"-14	15.47	16.70	30.18	40.50	27	31.75
DAJC1907M-1616	1-5/16"-12	1"-11	21.44	22.20	35.71	50.00	33	38.1



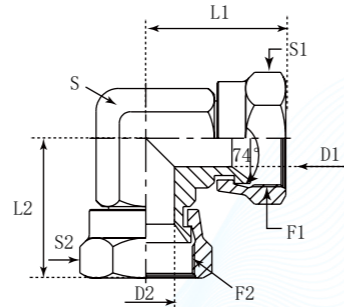
## DAJC19251

90° Elbow Connector JIC Swivel Female – JIC Swivel Female

<b>D</b>	<b>A</b>	<b>JC</b>	<b>1</b>	<b>9</b>	<b>251</b>
Company	Product Range	Thread Types	Connection Type	Adaptor Structure	Connection Type
<b>DME</b>	Adaptor	JIC UNF	Swivel Female	90° Elbow	JIC Swivel Female



- DME&JDE Code: **DAJC19251**
- Product Type: **Hydraulic adaptor**
- Standard: **JIC and SAE-ORB**
- Structure: **90° Elbow**
- Connection Type: **Swivel Female x Swivel Female**
- Thread Types: **UNF x UNF**



PART NUMBER	F1 (Thread)	F2 (Thread)	D1	D2	L1	L2	S	S1	S2	Hex
#	UNF	UNF	mm	mm	mm	mm	-	-	-	-
DAJC19251-0404	7/16"-20	7/16"-20	4.37	4.37	24.50	24.50	11 mm	14 mm	14 mm	Metric
DAJC19251-0404IN	7/16"-20	7/16"-20	4.37	4.37	24.50	24.50	7/16"	9/16"	9/16"	Imperial
DAJC19251-0505	1/2"-20	1/2"-20	5.94	5.94	27.00	27.00	14 mm	17 mm	17 mm	Metric
DAJC19251-0505IN	1/2"-20	1/2"-20	5.94	5.94	27.00	27.00	9/16"	5/8"	5/8"	Imperial
DAJC19251-0606	9/16"-18	9/16"-18	7.54	7.54	32.00	32.00	14 mm	19 mm	19 mm	Metric
DAJC19251-0606IN	9/16"-18	9/16"-18	7.54	7.54	32.00	32.00	9/16"	11/16"	11/16"	Imperial
DAJC19251-0808	3/4"-16	3/4"-16	9.93	9.93	35.10	35.10	19 mm	22 mm	22 mm	Metric
DAJC19251-0808IN	3/4"-16	3/4"-16	9.93	9.93	35.10	35.10	3/4"	7/8"	7/8"	Imperial
DAJC19251-1010	7/8"-14	7/8"-14	12.29	12.29	41.30	41.30	22 mm	27 mm	27 mm	Metric
DAJC19251-1010IN	7/8"-14	7/8"-14	12.29	12.29	41.30	41.30	7/8"	1"	1"	Imperial
DAJC19251-1212	1-1/16"-12	1-1/16"-12	15.47	15.47	45.00	45.00	27 mm	32 mm	32 mm	Metric
DAJC19251-1212IN	1-1/16"-12	1-1/16"-12	15.47	15.47	45.00	45.00	1-1/16"	1-1/4"	1-1/4"	Imperial
DAJC19251-1616	1-5/16"-12	1-5/16"-12	21.44	21.44	51.40	51.40	33 mm	41 mm	41 mm	Metric
DAJC19251-1616IN	1-5/16"-12	1-5/16"-12	21.44	21.44	51.40	51.40	1-5/16"	1-1/2"	1-1/2"	Imperial

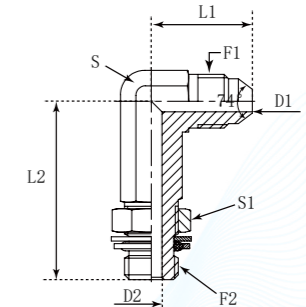
## DAJCM906Y

90° Adjustable Long Elbow JIC Male – BSPP Male + O Ring + Retaining Ring

<b>D</b>	<b>A</b>	<b>JC</b>	<b>M</b>	<b>9</b>	<b>06</b>	<b>Y</b>
Company	Product Range	Thread Types	Connection Type	Adaptor Structure	Thread Types	Connection Type
<b>DME</b>	Adaptor	JIC UNF	Male	90° Elbow	BSPP	Male + Long O Ring + Retaining Ring



- DME&JDE Code: **DAJCM906Y**
- Product Type: **Hydraulic adaptor**
- Standard: **JIC and SAE-ORB**
- Structure: **90° Elbow**
- Connection Type: **Adjustable Male x Male**
- Thread Types: **UNF x BSPP**
- Sealing Method: **Long O Ring + Retaining Ring**



PART NUMBER	F1 (Thread)	F2 (Thread)	D1	D2	L1	L2	S	S1
#	UNF	BSPP	mm	mm	mm	mm	mm	mm
DAJCM906Y-0402	7/16"-20	1/8"-28	4.37	4.37	22.50	46.00	11	14
DAJCM906Y-0404	7/16"-20	1/4"-19	4.37	7.50	27.00	56.50	14	19
DAJCM906Y-0406	7/16"-20	3/8"-19	4.37	9.90	28.50	67.00	19	22
DAJCM906Y-0408	7/16"-20	1/2"-14	4.37	12.30	31.00	78.00	22	27
DAJCM906Y-0502	1/2"-20	1/8"-28	5.94	4.40	24.00	49.50	14	14
DAJCM906Y-0504	1/2"-20	1/4"-19	5.94	7.50	27.00	56.50	14	19
DAJCM906Y-0506	1/2"-20	3/8"-19	5.94	9.90	28.50	67.00	19	22
DAJCM906Y-0604	9/16"-18	1/4"-19	7.54	7.50	27.00	56.50	14	19
DAJCM906Y-0606	9/16"-18	3/8"-19	7.54	9.90	28.50	67.00	19	22
DAJCM906Y-0608	9/16"-18	1/2"-14	7.54	12.30	31.00	78.00	22	27
DAJCM906Y-0804	3/4"-16	1/4"-19	9.93	7.50	31.50	64.00	19	19
DAJCM906Y-0806	3/4"-16	3/8"-19	9.93	9.90	31.50	67.00	19	22
DAJCM906Y-0808	3/4"-16	1/2"-14	9.93	12.30	34.00	78.00	22	27
DAJCM906Y-0812	3/4"-16	3/4"-14	9.93	15.50	37.00	92.00	27	32
DAJCM906Y-1006	7/8"-14	3/8"-19	12.29	9.90	36.50	75.00	22	22
DAJCM906Y-1008	7/8"-14	1/2"-14	12.29	12.30	36.50	78.00	22	27
DAJCM906Y-1012	7/8"-14	3/4"-14	12.29	15.50	39.50	92.00	27	32
DAJCM906Y-1208	1-1/16"-12	1/2"-14	15.47	12.30	42.00	88.00	27	27
DAJCM906Y-1212	1-1/16"-12	3/4"-14	15.47	15.50	42.00	92.00	27	32
DAJCM906Y-1216	1-1/16"-12	1"-11	15.47	21.50	44.50	105.00	33	41
DAJCM906Y-1412	1-3/16"-12	3/4"-14	18.26	15.50	44.00	99.00	33	32
DAJCM906Y-1612	1-5/16"-12	3/4"-14	21.44	15.50	46.00	105.00	33	32
DAJCM906Y-1616	1-5/16"-12	1"-11	21.44	21.50	46.00	105.00	33	41
DAJCM906Y-1620	1-5/16"-12	1-1/4"-11	21.44	27.50	51.00	124.00	41	50
DAJCM906Y-2016	1-5/8"-12	1"-11	27.38	21.50	52.00	124.00	41	41
DAJCM906Y-2020	1-5/8"-12	1-1/4"-11	27.38	27.50	52.00	124.00	41	50
DAJCM906Y-2420	1-7/8"-12	1-1/4"-11	33.32	27.50	59.00	135.00	48	50
DAJCM906Y-2424	1-7/8"-12	1-1/2"-11	33.32	33.00	59.00	135.00	48	55



## DAJCM906J

90° Adjustable Long Elbow JIC Male – BSPP Male + O Ring

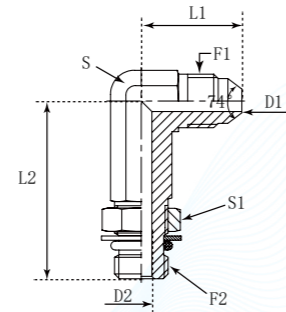
<b>D</b>	<b>A</b>	<b>JC</b>	<b>M</b>	<b>9</b>	<b>06</b>	<b>J</b>
Company	Product Range	Thread Types	Connection Type	Adaptor Structure	Thread Types	Connection Type
<b>DME</b>	Adaptor	JIC UNF	Male	90° Elbow	BSPP	Male + Long O Ring

German Technology Equipment

**SHIELD FLEX**

New-Standard

- DME&JDE Code: **DAJCM906J**
- Product Type: **Hydraulic adaptor**
- Standard: **JIC and SAE-ORB**
- Structure: **90° Elbow**
- Connection Type: **Adjustable Male x Male**
- Thread Types: **UNF x BSPP**
- Sealing Method: **Long O Ring**



PART NUMBER	F1 (Thread)	F2 (Thread)	D1	D2	L1	L2	S	S1
#	UNF	BSPP	mm	mm	mm	mm	mm	mm
DAJCM906J-0402	7/16"-20	1/8"-28	4.37	4.37	22.50	46.00	11	14
DAJCM906J-0404	7/16"-20	1/4"-19	4.37	7.50	27.00	56.50	14	19
DAJCM906J-0406	7/16"-20	3/8"-19	4.37	9.90	28.50	67.00	19	22
DAJCM906J-0408	7/16"-20	1/2"-14	4.37	12.30	31.00	78.00	22	27
DAJCM906J-0502	1/2"-20	1/8"-28	5.94	4.40	24.00	49.50	14	14
DAJCM906J-0504	1/2"-20	1/4"-19	5.94	7.50	27.00	56.50	14	19
DAJCM906J-0506	1/2"-20	3/8"-19	5.94	9.90	28.50	67.00	19	22
DAJCM906J-0604	9/16"-18	1/4"-19	7.54	7.50	27.00	56.50	14	19
DAJCM906J-0606	9/16"-18	3/8"-19	7.54	9.90	28.50	67.00	19	22
DAJCM906J-0608	9/16"-18	1/2"-14	7.54	12.30	31.00	78.00	22	27
DAJCM906J-0804	3/4"-16	1/4"-19	9.93	7.50	31.50	64.00	19	19
DAJCM906J-0806	3/4"-16	3/8"-19	9.93	9.90	31.50	67.00	19	22
DAJCM906J-0808	3/4"-16	1/2"-14	9.93	12.30	34.00	78.00	22	27
DAJCM906J-0812	3/4"-16	3/4"-14	9.93	15.50	37.00	92.00	27	32
DAJCM906J-1006	7/8"-14	3/8"-19	12.29	9.90	36.50	75.00	22	22
DAJCM906J-1008	7/8"-14	1/2"-14	12.29	12.30	36.50	78.00	22	27
DAJCM906J-1012	7/8"-14	3/4"-14	12.29	15.50	39.50	92.00	27	32
DAJCM906J-1208	1-1/16"-12	1/2"-14	15.47	12.30	42.00	88.00	27	27
DAJCM906J-1212	1-1/16"-12	3/4"-14	15.47	15.50	42.00	92.00	27	32
DAJCM906J-1216	1-1/16"-12	1"-11	15.47	21.50	44.50	105.00	33	41
DAJCM906J-1412	1-3/16"-12	3/4"-14	18.26	15.50	44.00	99.00	33	32
DAJCM906J-1612	1-5/16"-12	3/4"-14	21.44	15.50	46.00	105.00	33	32
DAJCM906J-1616	1-5/16"-12	1"-11	21.44	21.50	46.00	105.00	33	41
DAJCM906J-1620	1-5/16"-12	1-1/4"-11	21.44	27.50	51.00	124.00	41	50
DAJCM906J-2016	1-5/8"-12	1"-11	27.38	21.50	52.00	124.00	41	41
DAJCM906J-2020	1-5/8"-12	1-1/4"-11	27.38	27.50	52.00	124.00	41	50
DAJCM906J-2420	1-7/8"-12	1-1/4"-11	33.32	27.50	59.00	135.00	48	50
DAJCM906J-2424	1-7/8"-12	1-1/2"-11	33.32	33.00	59.00	135.00	48	55



## DAJCM952Y

90° Adjustable Long Elbow JIC Male – Metric Male + O Ring + Retaining Ring

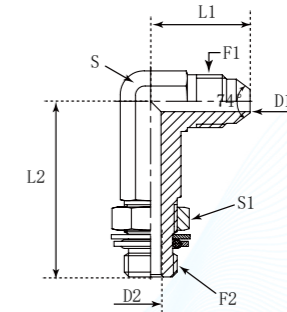
<b>D</b>	<b>A</b>	<b>JC</b>	<b>M</b>	<b>9</b>	<b>52</b>	<b>Y</b>
Company	Product Range	Thread Types	Connection Type	Adaptor Structure	Thread Types	Connection Type
<b>DME</b>	Adaptor	JIC UNF	Male	90° Elbow	Metric	Male + Long O Ring + Retaining Ring

German Technology Equipment

**SHIELD FLEX**

New-Standard

- DME&JDE Code: **DAJCM952Y**
- Product Type: **Hydraulic adaptor**
- Standard: **JIC and SAE-ORB**
- Structure: **90° Elbow**
- Connection Type: **Male x Male**
- Thread Types: **UNF x Metric**
- Sealing Method: **Long O Ring + Retaining Ring**



PART NUMBER	F1 (Thread)	F2 (Thread)	D1	D2	L1	L2	S	S1
#	UNF	Metric	mm	mm	mm	mm	mm	mm
DAJCM952Y-0410	7/16"-20	M10X1	4.37	3.00	22.50	46.00	11	14
DAJCM952Y-0412	7/16"-20	M12X1.5	4.37	4.00	27.00	53.50	14	17
DAJCM952Y-0510	1/2"-20	M10X1	5.94	4.50	24.00	49.50	14	14
DAJCM952Y-0512	1/2"-20	M12X1.5	5.94	4.00	27.00	53.50	14	17
DAJCM952Y-0514	1/2"-20	M14X1.5	5.94	7.50	27.00	56.50	14	19
DAJCM952Y-0614	9/16"-18	M14X1.5	7.54	6.00	27.00	56.50	14	19
DAJCM952Y-0616	9/16"-18	M16X1.5	7.54	7.00	28.50	67.00	19	22
DAJCM952Y-0816	3/4"-16	M16X1.5	9.93	7.00	31.50	67.00	19	22
DAJCM952Y-0818	3/4"-16	M18X1.5	9.93	9.00	31.50	67.00	19	24
DAJCM952Y-1018	7/8"-14	M18X1.5	12.29	9.00	36.50	75.00	22	24
DAJCM952Y-1020	7/8"-14	M20X1.5	12.29	10.00	36.50	78.00	22	27
DAJCM952Y-1022	7/8"-14	M22X1.5	12.29	12.00	36.50	78.00	22	27
DAJCM952Y-1222	1-1/16"-12	M22X1.5	15.47	12.00	42.00	88.00	27	27
DAJCM952Y-1226	1-1/16"-12	M26X1.5	15.47	15.00	42.00	95.00	27	32
DAJCM952Y-1227	1-1/16"-12	M27X2	15.47	15.00	42.00	95.00	27	32
DAJCM952Y-1627	1-5/16"-12	M27X2	21.44	15.00	46.00	105.00	33	32
DAJCM952Y-1633	1-5/16"-12	M33X2	21.44	20.00	46.00	105.00	33	41
DAJCM952Y-2042	1-5/8"-12	M42X2	27.38	26.00	52.00	124.00	41	50
DAJCM952Y-2448	1-7/8"-12	M48X2	33.32	32.00	59.00	141.00	48	55



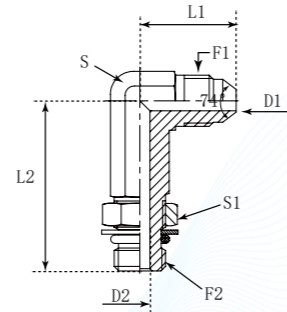
## DAJCM952J

90° Adjustable Long Elbow JIC Male – Metric Male + O Ring

<b>D</b>	<b>A</b>	<b>JC</b>	<b>M</b>	<b>9</b>	<b>52</b>	<b>J</b>
Company	Product Range	Thread Types	Connection Type	Adaptor Structure	Thread Types	Connection Type
<b>DME</b>	Adaptor	JIC UNF	Male	90° Elbow	Metric	Male + Long O Ring



- DME&JDE Code:** DAJCM952J
- Product Type:** Hydraulic adaptor
- Standard:** JIC and SAE-ORB
- Structure:** 90° Elbow
- Connection Type:** Adjustable Male x Male
- Thread Types:** UNF x Metric
- Sealing Method:** Long O Ring



PART NUMBER	F1 (Thread)	F2 (Thread)	D1	D2	L1	L2	S	S1
#	UNF	Metric	mm	mm	mm	mm	mm	mm
DAJCM952J-0410	7/16"-20	M10X1	4.37	3.00	22.50	46.00	11	14
DAJCM952J-0412	7/16"-20	M12X1.5	4.37	4.00	27.00	53.50	14	17
DAJCM952J-0510	1/2"-20	M10X1	5.94	4.50	24.00	49.50	14	14
DAJCM952J-0512	1/2"-20	M12X1.5	5.94	4.00	27.00	53.50	14	17
DAJCM952J-0514	1/2"-20	M14X1.5	5.94	7.50	27.00	56.50	14	19
DAJCM952J-0614	9/16"-18	M14X1.5	7.54	6.00	27.00	56.50	14	19
DAJCM952J-0616	9/16"-18	M16X1.5	7.54	7.00	28.50	67.00	19	22
DAJCM952J-0816	3/4"-16	M16X1.5	9.93	7.00	31.50	67.00	19	22
DAJCM952J-0818	3/4"-16	M18X1.5	9.93	9.00	31.50	67.00	19	24
DAJCM952J-1018	7/8"-14	M18X1.5	12.29	9.00	36.50	75.00	22	24
DAJCM952J-1020	7/8"-14	M20X1.5	12.29	10.00	36.50	78.00	22	27
DAJCM952J-1022	7/8"-14	M22X1.5	12.29	12.00	36.50	78.00	22	27
DAJCM952J-1222	1-1/16"-12	M22X1.5	15.47	12.00	42.00	88.00	27	27
DAJCM952J-1226	1-1/16"-12	M26X1.5	15.47	15.00	42.00	95.00	27	32
DAJCM952J-1227	1-1/16"-12	M27X2	15.47	15.00	42.00	95.00	27	32
DAJCM952J-1627	1-5/16"-12	M27X2	21.44	15.00	46.00	105.00	33	32
DAJCM952J-1633	1-5/16"-12	M33X2	21.44	20.00	46.00	105.00	33	41
DAJCM952J-2042	1-5/8"-12	M42X2	27.38	26.00	52.00	124.00	41	50
DAJCM952J-2448	1-7/8"-12	M48X2	33.32	32.00	59.00	141.00	48	55

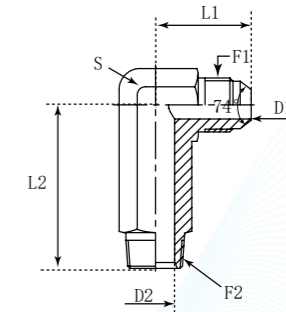
## DAJCM928P

90° Long Elbow Connector JIC Male – NPTF Male

<b>D</b>	<b>A</b>	<b>JC</b>	<b>M</b>	<b>9</b>	<b>28</b>	<b>P</b>
Company	Product Range	Thread Types	Connection Type	Adaptor Structure	Thread Types	Elbow Type
<b>DME</b>	Adaptor	JIC UNF	Male	90° Elbow	NPTF	Long Elbow



- DME&JDE Code:** DAJCM928P
- Product Type:** Hydraulic adaptor
- Standard:** JIC and SAE-ORB
- Structure:** 90° Elbow
- Connection Type:** Male x Male
- Thread Types:** UNF x NPTF



PART NUMBER	F1 (Thread)	F2 (Thread)	D1	D2	L1	L2	S	Hex
#	UNF	NPTF	mm	mm	mm	mm	-	-
DAJCM928P-0402	7/16"-20	1/8"-27	4.37	4.78	22.60	29.70	11 mm	Metric
DAJCM928P-0404	7/16"-20	1/4"-18	4.37	7.14	26.70	36.60	14 mm	Metric
DAJCM928P-0402IN	7/16"-20	1/8"-27	4.37	4.78	22.60	29.70	7/16"	Imperial
DAJCM928P-0404IN	7/16"-20	1/4"-18	4.37	7.14	26.70	36.60	9/16"	Imperial
DAJCM928P-0502	1/2"-20	1/8"-27	5.94	4.78	26.90	29.70	14 mm	Metric
DAJCM928P-0504	1/2"-20	1/4"-18	5.94	7.14	26.70	37.60	14 mm	Metric
DAJCM928P-0502IN	1/2"-20	1/8"-27	5.94	4.78	26.90	29.70	9/16"	Imperial
DAJCM928P-0504IN	1/2"-20	1/4"-18	5.94	7.14	26.70	37.60	9/16"	Imperial
DAJCM928P-0602	9/16"-18	1/8"-27	7.54	4.78	26.90	31.20	14 mm	Metric
DAJCM928P-0604	9/16"-18	1/4"-18	7.54	7.14	26.90	39.60	14 mm	Metric
DAJCM928P-0606	9/16"-18	3/8"-18	7.54	10.31	29.00	46.20	19 mm	Metric
DAJCM928P-0608	9/16"-18	1/2"-14	7.54	13.49	31.00	55.70	22 mm	Metric
DAJCM928P-0602IN	9/16"-18	1/8"-27	7.54	4.78	26.90	31.20	9/16"	Imperial
DAJCM928P-0604IN	9/16"-18	1/4"-18	7.54	7.14	26.90	39.60	9/16"	Imperial
DAJCM928P-0606IN	9/16"-18	3/8"-18	7.54	10.31	29.00	46.20	3/4"	Imperial
DAJCM928P-0608IN	9/16"-18	1/2"-14	7.54	13.49	31.00	55.70	7/8"	Imperial
DAJCM928P-0804	3/4"-16	1/4"-18	9.93	7.14	31.80	46.20	19 mm	Metric
DAJCM928P-0806	3/4"-16	3/8"-18	9.93	10.31	31.80	45.20	19 mm	Metric
DAJCM928P-0808	3/4"-16	1/2"-14	9.93	13.49	33.80	55.12	22 mm	Metric
DAJCM928P-0812	3/4"-16	3/4"-14	9.93	18.26	36.10	61.90	27 mm	Metric
DAJCM928P-0804IN	3/4"-16	1/4"-18	9.93	7.14	31.80	46.20	3/4"	Imperial
DAJCM928P-0806IN	3/4"-16	3/8"-18	9.93	10.31	31.80	45.20	3/4"	Imperial
DAJCM928P-0808IN	3/4"-16	1/2"-14	9.93	13.49	33.80	55.12	7/8"	Imperial
DAJCM928P-0812IN	3/4"-16	3/4"-14	9.93	18.26	36.10	61.90	1-1/16"	Imperial
DAJCM928P-1008	7/8"-14	1/2"-14	12.29	13.49	36.80	54.90	22 mm	Metric
DAJCM928P-1012	7/8"-14	3/4"-14	12.29	18.26	39.10	63.00	27 mm	Metric
DAJCM928P-1008IN	7/8"-14	1/2"-14	12.29	13.49	36.80	54.90	7/8"	Imperial
DAJCM928P-1012IN	7/8"-14	3/4"-14	12.29	18.26	39.10	63.00	1-1/16"	Imperial
DAJCM928P-1208	1-1/16"-12	1/2"-14	15.47	13.49	42.20	62.00	27 mm	Metric
DAJCM928P-1212	1-1/16"-12	3/4"-14	15.47	18.26	42.20	61.90	27 mm	Metric
DAJCM928P-1216	1-1/16"-12	1"-11-1/2	15.47	23.83	44.70	76.50	33 mm	Metric
DAJCM928P-1208IN	1-1/16"-12	1/2"-14	15.47	13.49	42.20	62.00	1-1/16"	Imperial
DAJCM928P-1212IN	1-1/16"-12	3/4"-14	15.47	18.26	42.20	61.90	1-1/16"	Imperial
DAJCM928P-1216IN	1-1/16"-12	1"-11-1/2	15.47	23.83	44.70	76.50	1-5/16"	Imperial
DAJCM928P-1412	1-3/16"-12	3/4"-14	18.26	18.26	45.70	65.80	33 mm	Metric
DAJCM928P-1412IN	1-3/16"-12	3/4"-14	18.26	18.26	45.70	65.80	1-5/16"	Imperial
DAJCM928P-1612	1-5/16"-12	3/4"-14	21.44	18.26	46.00	66.80	33 mm	Metric
DAJCM928P-1616	1-5/16"-12	1"-11-1/2	21.44	23.83	46.00	76.60	33 mm	Metric
DAJCM928P-1612IN	1-5/16"-12	3/4"-14	21.44	18.26	46.00	66.80	1-5/16"	Imperial
DAJCM928P-1616IN	1-5/16"-12	1"-11-1/2	21.44	23.83	46.00	76.60	1-5/16"	Imperial
DAJCM928P-2020	1-5/8"-12	1-1/4"-11-1/2	27.38	31.75	52.30	93.70	41 mm	Metric
DAJCM928P-2020IN	1-5/8"-12	1-1/4"-11-1/2	27.38	31.75	52.30	93.70	1-5/8"	Imperial
DAJCM928P-2424	1-7/8"-12	1-1/2"-11-1/2	33.32	38.10	59.20	104.40	48 mm	Metric
DAJCM928P-2424IN	1-7/8"-12	1-1/2"-11-1/2	33.32	38.10	59.20	104.40	1-7/8"	Imperial





# DAJCM9289

90° Extra Long Elbow Connector JIC Male – NPTF Male

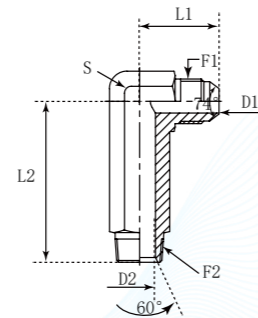
<b>D</b>	<b>A</b>	<b>JC</b>	<b>M</b>	<b>9</b>	<b>28</b>	<b>9</b>
Company	Product Range	Thread Types	Connection Type	Adaptor Structure	Thread Types	Elbow Type
<b>DME</b>	Adaptor	JIC UNF	Male	90° Elbow	NPTF	Extra Long Elbow

German Technology Equipment

**SHIELD FLEX**

New-Standard

- DME&JDE Code: **DAJCM9289**
- Product Type: **Hydraulic adaptor**
- Standard: **JIC and SAE-ORB**
- Structure: **90° Extra Elbow**
- Connection Type: **Male x Male**
- Thread Types: **UNF x NPTF**



PART NUMBER #	F1 (Thread) UNF	F2 (Thread) NPTF	D1 mm	D2 mm	L1 mm	L2 mm	S -	Hex -
DAJCM9289-0402	7/16"-20	1/8"-27	4.37	4.78	22.60	39.60	11 mm	Metric
DAJCM9289-0404	7/16"-20	1/4"-18	4.37	7.14	26.70	52.58	14 mm	Metric
DAJCM9289-0402IN	7/16"-20	1/8"-27	4.37	4.78	22.60	39.60	7/16"	Imperial
DAJCM9289-0404IN	7/16"-20	1/4"-18	4.37	7.14	26.70	52.58	9/16"	Imperial
DAJCM9289-0502	1/2"-20	1/8"-27	5.94	4.78	24.10	41.40	14 mm	Metric
DAJCM9289-0504	1/2"-20	1/4"-18	5.94	7.14	26.70	52.30	14 mm	Metric
DAJCM9289-0502IN	1/2"-20	1/8"-27	5.94	4.78	24.10	41.40	9/16"	Imperial
DAJCM9289-0504IN	1/2"-20	1/4"-18	5.94	7.14	26.70	52.30	9/16"	Imperial
DAJCM9289-0602	9/16"-18	1/8"-27	7.54	4.78	26.90	41.40	14 mm	Metric
DAJCM9289-0604	9/16"-18	1/4"-18	7.54	7.14	26.90	52.60	14 mm	Metric
DAJCM9289-0606	9/16"-18	3/8"-18	7.54	10.31	29.00	61.47	19 mm	Metric
DAJCM9289-0608	9/16"-18	1/2"-14	7.54	13.49	31.00	72.90	22 mm	Metric
DAJCM9289-0602IN	9/16"-18	1/8"-27	7.54	4.78	26.90	41.40	9/16"	Imperial
DAJCM9289-0604IN	9/16"-18	1/4"-18	7.54	7.14	26.90	52.60	9/16"	Imperial
DAJCM9289-0606IN	9/16"-18	3/8"-18	7.54	10.31	29.00	61.47	3/4"	Imperial
DAJCM9289-0608IN	9/16"-18	1/2"-14	7.54	13.49	31.00	72.90	7/8"	Imperial
DAJCM9289-0804	3/4"-16	1/4"-18	9.93	7.14	31.80	61.47	19 mm	Metric
DAJCM9289-0806	3/4"-16	3/8"-18	9.93	10.31	31.80	59.40	19 mm	Metric
DAJCM9289-0808	3/4"-16	1/2"-14	9.93	13.49	33.80	72.90	22 mm	Metric
DAJCM9289-0812	3/4"-16	3/4"-14	9.93	18.26	36.10	83.30	27 mm	Metric
DAJCM9289-0804IN	3/4"-16	1/4"-18	9.93	7.14	31.80	61.47	3/4"	Imperial
DAJCM9289-0808IN	3/4"-16	1/2"-14	9.93	13.49	33.80	72.90	7/8"	Imperial
DAJCM9289-0812IN	3/4"-16	3/4"-14	9.93	18.26	36.10	83.30	1-1/16"	Imperial
DAJCM9289-1006	7/8"-14	3/8"-18	12.29	10.31	36.80	59.40	22 mm	Metric
DAJCM9289-1008	7/8"-14	1/2"-14	12.29	13.49	36.80	72.90	22 mm	Metric
DAJCM9289-1012	7/8"-14	3/4"-14	12.29	18.26	39.12	83.30	27 mm	Metric
DAJCM9289-1006IN	7/8"-14	3/8"-18	12.29	10.31	36.80	59.40	7/8"	Imperial
DAJCM9289-1008IN	7/8"-14	1/2"-14	12.29	13.49	36.80	72.90	7/8"	Imperial
DAJCM9289-1012IN	7/8"-14	3/4"-14	12.29	18.26	39.12	83.30	1-1/16"	Imperial
DAJCM9289-1208	1-1/16"-12	1/2"-14	15.47	13.49	42.20	83.30	27 mm	Metric
DAJCM9289-1212	1-1/16"-12	3/4"-14	15.47	18.26	42.20	83.30	27 mm	Metric
DAJCM9289-1208IN	1-1/16"-12	1/2"-14	15.47	13.49	42.20	83.30	1-1/16"	Imperial
DAJCM9289-1212IN	1-1/16"-12	3/4"-14	15.47	18.26	42.20	83.30	1-1/16"	Imperial
DAJCM9289-1412	1-3/16"-12	3/4"-14	18.26	18.26	45.70	88.90	33 mm	Metric
DAJCM9289-1412IN	1-3/16"-12	3/4"-14	18.26	18.26	45.70	88.90	1-5/16"	Imperial
DAJCM9289-1612	1-5/16"-12	3/4"-14	21.44	18.26	46.00	98.00	33 mm	Metric
DAJCM9289-1616	1-5/16"-12	1"-11-1/2	21.44	23.83	46.00	102.90	33 mm	Metric
DAJCM9289-1612IN	1-5/16"-12	3/4"-14	21.44	18.26	46.00	98.00	1-5/16"	Imperial
DAJCM9289-1616IN	1-5/16"-12	1"-11-1/2	21.44	23.83	46.00	102.90	1-5/16"	Imperial
DAJCM9289-2016	1-5/8"-12	1"-11-1/2	27.38	23.83	52.30	102.90	41 mm	Metric
DAJCM9289-2020	1-5/8"-12	1-1/4"-11-1/2	27.38	31.75	52.30	127.00	41 mm	Metric
DAJCM9289-2016IN	1-5/8"-12	1"-11-1/2	27.38	23.83	52.30	102.90	1-5/8"	Imperial
DAJCM9289-2020IN	1-5/8"-12	1-1/4"-11-1/2	27.38	31.75	52.30	127.00	1-5/8"	Imperial
DAJCM9289-2424	1-7/8"-12	1-1/2"-11-1/2	33.32	38.10	59.20	141.00	48 mm	Metric
DAJCM9289-2424IN	1-7/8"-12	1-1/2"-11-1/2	33.32	38.10	59.20	141.00	1-7/8"	Imperial
DAJCM9289-3232	2-1/2"-12	2"-11-1/2	45.24	49.23	77.70	160.00	65 mm	Metric
DAJCM9289-3232IN	2-1/2"-12	2"-11-1/2	45.24	49.23	77.70	160.00	2-1/2"	Imperial

Certificate:

# DAJCM906P

90° Adjustable Long Elbow JIC Male – SAE Male + O Ring + Retaining Ring

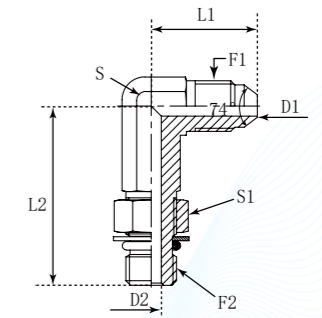
<b>D</b>	<b>A</b>	<b>JC</b>	<b>M</b>	<b>9</b>	<b>06</b>	<b>P</b>
Company	Product Range	Thread Types	Connection Type	Adaptor Structure	Thread Types	Connection Type
<b>DME</b>	Adaptor	JIC UNF	Male	90° Elbow	SAE UNF	Male + Long O Ring + Retaining Ring

German Technology Equipment

**SHIELD FLEX**

New-Standard

- DME&JDE Code: **DAJCM906P**
- Product Type: **Hydraulic adaptor**
- Standard: **JIC and SAE-ORB**
- Structure: **90° Elbow**
- Connection Type: **Adjustable Male x Male**
- Thread Types: **UNF x UNF**
- Sealing Method: **Long O Ring + Retaining Ring**



PART NUMBER #	F1 (Thread) UNF	F2 (Thread) UNF	D1 mm	D2 mm	L1 mm	L2 mm	S mm	Inch	S1 mm	Inch
DAJCM906P-0404	7/16"-20	7/16"-20	4.37	4.37	22.60	30.20	11	7/16"	14	9/16"
DAJCM906P-0406	7/16"-20	9/16"-18	4.37	7.54	26.70	42.30	14	9/16"	19	11/16"
DAJCM906P-0606	9/16"-18	9/16"-18	7.54	7.54	26.90	42.30	14	9/16"	19	11/16"
DAJCM906P-0608	9/16"-18	3/4"-16	7.54	9.93	29.00	46.00	19	3/4"	22	7/8"
DAJCM906P-0806	3/4"-16	9/16"-18	9.93	7.54	31.80	44.50	19	3/4"	19	11/16"
DAJCM906P-0808	3/4"-16	3/4"-16	9.93	9.93	31.80	46.00	19	3/4"	22	7/8"
DAJCM906P-0810	3/4"-16	7/8"-14	9.93	12.29	33.80	54.10	22	7/8"	27	1"
DAJCM906P-1008	7/8"-14	3/4"-16	12.29	9.93	36.80	53.34	22	7/8"	22	7/8"
DAJCM906P-1010	7/8"-14	7/8"-14	12.29	12.29	36.80	54.90	22	7/8"	27	1"
DAJCM906P-1012	7/8"-14	1-1/16"-12	12.29	15.47	39.10	66.55	27	1-1/16"	32	1-1/4"
DAJCM906P-1210	1-1/16"-12	7/8"-14	15.47	12.29	42.20	62.74	27	1-1/16"	27	1"
DAJCM906P-1212	1-1/16"-12	1-1/16"-12	15.47	15.47	39.10	57.20	27	1-1/16"	32	1-1/4"
DAJCM906P-1612	1-5/16"-12	1-1/16"-12	21.44	15.47	42.20	62.70	33	1-5/16"	32	1-1/4"
DAJCM906P-1616	1-5/16"-12	1-5/16"-12	21.44	21.44	46.00	77.70	33	1-5/16"	41	1-1/2"
DAJCM906P-2020	1-5/8"-12	1-5/8"-12	27.38	27.38	52.30	88.30	41	1-5/8"	50	1-7/8"

Certificate:

## DAJCM930J

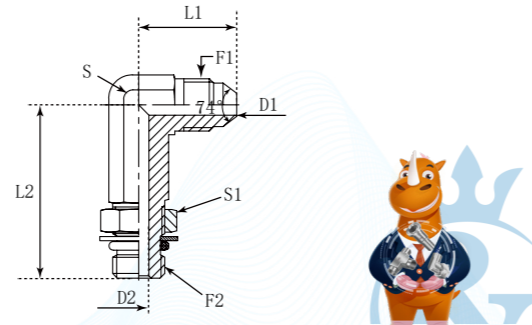
90° Adjustable X-Long Elbow JIC Male – SAE Male + O Ring

<b>D</b>	<b>A</b>	<b>JC</b>	<b>M</b>	<b>9</b>	<b>30</b>	<b>J</b>
Company	Product Range	Thread Types	Connection Type	Adaptor Structure	Thread Types	Connection Type
<b>DME</b>	Adaptor	JIC UNF	Male	90° Elbow	SAE UNF	Male + Long O Ring

German Technology Equipment

New-Standard

- DME&JDE Code:** DAJCM930J
- Product Type:** Hydraulic adaptor
- Standard:** JIC and SAE-ORB
- Structure:** 90° Elbow
- Connection Type:** Adjustable Male x Male
- Thread Types:** UNF x UNF
- Sealing Method:** X-Long O Ring



PART NUMBER	F1 (Thread)	F2 (Thread)	L1	L2	D1	D2	S	S1	Hex
#	UNF	UNF	mm	mm	mm	mm	-	-	-
DAJCM930J-0404	7/16"-20	7/16"-20	22.60	43.90	4.37	4.37	11 mm	14 mm	Metric
DAJCM930J-0405	7/16"-20	1/2"-20	24.10	52.00	4.37	5.94	14 mm	19 mm	Metric
DAJCM930J-0406	7/16"-20	9/16"-18	26.70	52.60	4.37	7.54	14 mm	19 mm	Metric
DAJCM930J-0404IN	7/16"-20	7/16"-20	22.60	43.90	4.37	4.37	7/16"	9/16"	Imperial
DAJCM930J-0405IN	7/16"-20	1/2"-20	24.10	52.00	4.37	5.94	9/16"	11/16"	Imperial
DAJCM930J-0406IN	7/16"-20	9/16"-18	26.70	52.60	4.37	7.54	9/16"	11/16"	Imperial
DAJCM930J-0505	1/2"-20	1/2"-20	24.13	52.00	5.94	5.94	14 mm	19 mm	Metric
DAJCM930J-0505IN	1/2"-20	1/2"-20	24.13	52.00	5.94	5.94	9/16"	11/16"	Imperial
DAJCM930J-0606	9/16"-18	9/16"-18	26.90	52.80	7.54	7.54	14 mm	19 mm	Metric
DAJCM930J-0608	9/16"-18	3/4"-16	29.00	63.30	7.54	9.93	19 mm	22 mm	Metric
DAJCM930J-0610	9/16"-18	7/8"-14	33.00	73.40	7.54	12.29	22 mm	27 mm	Metric
DAJCM930J-0606IN	9/16"-18	9/16"-18	26.90	52.80	7.54	7.54	9/16"	11/16"	Imperial
DAJCM930J-0608IN	9/16"-18	3/4"-16	29.00	63.30	7.54	9.93	3/4"	7/8"	Imperial
DAJCM930J-0610IN	9/16"-18	7/8"-14	33.00	73.40	7.54	12.29	7/8"	1"	Imperial
DAJCM930J-0806	3/4"-16	9/16"-18	31.80	55.40	9.93	7.54	19 mm	19 mm	Metric
DAJCM930J-0808	3/4"-16	3/4"-16	31.80	63.30	9.93	9.93	19 mm	22 mm	Metric
DAJCM930J-0810	3/4"-16	7/8"-14	33.80	73.40	9.93	12.29	22 mm	27 mm	Metric
DAJCM930J-0812	3/4"-16	1-1/16"-12	36.10	84.80	9.93	15.47	27 mm	32 mm	Metric
DAJCM930J-0806IN	3/4"-16	9/16"-18	31.80	55.40	9.93	7.54	3/4"	11/16"	Imperial
DAJCM930J-0808IN	3/4"-16	3/4"-16	31.80	63.30	9.93	9.93	3/4"	7/8"	Imperial
DAJCM930J-0810IN	3/4"-16	7/8"-14	33.80	73.40	9.93	12.29	7/8"	1"	Imperial
DAJCM930J-0812IN	3/4"-16	1-1/16"-12	36.10	84.80	9.93	15.47	1-1/16"	1-1/4"	Imperial
DAJCM930J-1008	7/8"-14	3/4"-16	36.80	69.34	12.29	9.93	22 mm	22 mm	Metric
DAJCM930J-1010	7/8"-14	7/8"-14	36.80	73.40	12.29	12.29	22 mm	27 mm	Metric
DAJCM930J-1012	7/8"-14	1-1/16"-12	39.10	84.80	12.29	15.47	27 mm	32 mm	Metric
DAJCM930J-1008IN	7/8"-14	3/4"-16	36.80	69.34	12.29	9.93	7/8"	7/8"	Imperial
DAJCM930J-1010IN	7/8"-14	7/8"-14	36.80	73.40	12.29	12.29	7/8"	1"	Imperial
DAJCM930J-1012IN	7/8"-14	1-1/16"-12	39.10	84.80	12.29	15.47	1-1/16"	1-1/4"	Imperial
DAJCM930J-1208	1-1/16"-12	3/4"-16	42.20	69.34	15.47	9.93	27 mm	22 mm	Metric
DAJCM930J-1210	1-1/16"-12	7/8"-14	42.20	84.80	15.47	12.29	27 mm	27 mm	Metric
DAJCM930J-1212	1-1/16"-12	1-1/16"-12	42.20	84.80	15.47	15.47	27 mm	32 mm	Metric
DAJCM930J-1216	1-1/16"-12	1-5/16"-12	44.70	94.50	15.47	21.44	33 mm	41 mm	Metric
DAJCM930J-1208IN	1-1/16"-12	3/4"-16	42.20	69.34	15.47	9.93	1-1/16"	7/8"	Imperial
DAJCM930J-1210IN	1-1/16"-12	7/8"-14	42.20	84.80	15.47	12.29	1-1/16"	1"	Imperial
DAJCM930J-1212IN	1-1/16"-12	1-1/16"-12	42.20	84.80	15.47	15.47	1-1/16"	1-1/4"	Imperial
DAJCM930J-1216IN	1-1/16"-12	1-5/16"-12	44.70	94.50	15.47	21.44	1-5/16"	1-1/2"	Imperial
DAJCM930J-1612	1-5/16"-12	1-1/16"-12	46.00	94.49	21.44	15.47	33 mm	32 mm	Metric
DAJCM930J-1616	1-5/16"-12	1-5/16"-12	46.00	94.20	21.44	21.44	33 mm	41 mm	Metric
DAJCM930J-1620	1-5/16"-12	1-5/8"-12	51.10	111.80	21.44	27.38	41 mm	50 mm	Metric
DAJCM930J-1612IN	1-5/16"-12	1-1/16"-12	46.00	94.49	21.44	15.47	1-5/16"	1-1/4"	Imperial
DAJCM930J-1616IN	1-5/16"-12	1-5/16"-12	46.00	94.20	21.44	21.44	1-5/16"	1-1/2"	Imperial
DAJCM930J-1620IN	1-5/16"-12	1-5/8"-12	51.10	111.80	21.44	27.38	1-5/8"	1-7/8"	Imperial
DAJCM930J-2020	1-5/8"-12	1-5/8"-12	52.30	111.80	27.38	27.38	41 mm	50 mm	Metric
DAJCM930J-2020IN	1-5/8"-12	1-5/8"-12	52.30	111.80	27.38	27.38	1-5/8"	1-7/8"	Imperial
DAJCM930J-2424	1-7/8"-12	1-7/8"-12	59.20	135.00	33.32	33.32	48 mm	55 mm	Metric
DAJCM930J-2424IN	1-7/8"-12	1-7/8"-12	59.20	135.00	33.32	33.32	1-7/8"	2-1/8"	Imperial

Certificate:

## DAJCM925T

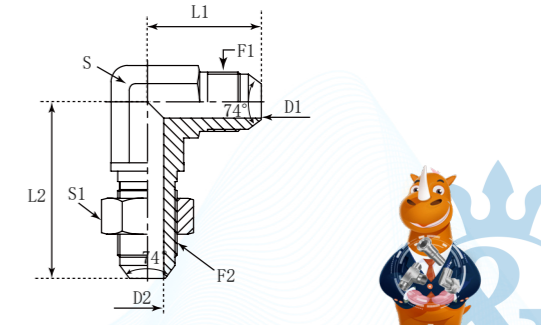
90° Bulkhead Elbow Connector JIC Male – JIC Male

<b>D</b>	<b>A</b>	<b>JC</b>	<b>M</b>	<b>9</b>	<b>25</b>	<b>T</b>
Company	Product Range	Thread Types	Connection Type	Adaptor Structure	Thread Types	Connection Type
<b>DME</b>	Adaptor	JIC UNF	Male	90° Elbow	JIC UNF	Bulkhead Male

German Technology Equipment

New-Standard

- DME&JDE Code:** DAJCM925T
- Product Type:** Hydraulic adaptor
- Standard:** JIC and SAE-ORB
- Structure:** 90° Elbow
- Connection Type:** Male x Male
- Thread Types:** UNF x UNF
- Other Features:** Bulkhead



PART NUMBER	F1 (Thread)	F2 (Thread)	L1	L2	D1	D2	S	S1	Hex
#	UNF	UNF	mm	mm	mm	mm	-	-	-
DAJCM925T-0303	3/8"-24	3/8"-24	23.88	38.10	3.18	3.18	11 mm	16 mm	Metric
DAJCM925T-0303IN	3/8"-24	3/8"-24	23.88	38.10	3.18	3.18	7/16"	7/16"	Imperial
DAJCM925T-0404	7/16"-20	7/16"-20	24.60	40.40	4.37	4.37	11 mm	17 mm	Metric
DAJCM925T-0404IN	7/16"-20	7/16"-20	24.60	40.40	4.37	4.37	7/16"	11/16"	Imperial
DAJCM925T-0505	1/2"-20	1/2"-20	26.90	43.70	5.94	5.94	14 mm	19 mm	Metric
DAJCM925T-0505IN	1/2"-20	1/2"-20	26.90	43.70	5.94	5.94	9/16"	3/4"	Imperial
DAJCM925T-0606	9/16"-18	9/16"-18	26.90	46.00	7.54	7.54	14 mm	22 mm	Metric
DAJCM925T-0606IN	9/16"-18	9/16"-18	26.90	46.00	7.54	7.54	9/16"	13/16"	Imperial
DAJCM925T-0808	3/4"-16	3/4"-16	34.50	53.60	9.93	9.93	19 mm	24 mm	Metric
DAJCM925T-0808IN	3/4"-16	3/4"-16	34.50	53.60	9.93	9.93	3/4"	1"	Imperial
DAJCM925T-1010	7/8"-14	7/8"-14	39.60	60.70	12.29	12.29	22 mm	30 mm	Metric
DAJCM925T-1010IN	7/8"-14	7/8"-14	39.60	60.70	12.29	12.29	7/8"	1-1/8"	Imperial
DAJCM925T-1212	1-1/16"-12	1-1/16"-12	45.20	67.80	15.47	15.47	27 mm	36 mm	Metric
DAJCM925T-1212IN	1-1/16"-12	1-1/16"-12	45.20	67.80	15.47	15.47	1-1/16"	1-3/8"	Imperial
DAJCM925T-1414	1-3/16"-12	1-3/16"-12	48.80	71.10	18.26	18.26	33 mm	41 mm	Metric
DAJCM925T-1414IN	1-3/16"-12	1-3/16"-12	48.80	71.10	18.26	18.26	1-5/16"	1-1/2"	Imperial
DAJCM925T-1616	1-5/16"-12	1-5/16"-12	49.30	71.10	21.44	21.44	33 mm	41 mm	Metric
DAJCM925T-1616IN	1-5/16"-12	1-5/16"-12	49.30	71.10	21.44	21.44	1-5/16"	1-5/8"	Imperial
DAJCM925T-2020	1-5/8"-12	1-5/8"-12	55.10	79.30	27.38	27.38	41 mm	50 mm	Metric
DAJCM925T-2020IN	1-5/8"-12	1-5/8"-12	55.10	79.30	27.38	27.38	1-5/8"	1-7/8"	Imperial
DAJCM925T-2424	1-7/8"-12	1-7/8"-12	59.40	86.90	33.32	33.32	48 mm	55 mm	Metric
DAJCM925T-2424IN	1-7/8"-12	1-7/8"-12	59.40	86.90	33.32	33.32	1-7/8"	2-1/8"	Imperial
DAJCM925T-3232	2-1/2"-12	2-1/2"-12	73.40	104.40	45.24	45.24	65 mm	70 mm	Metric
DAJCM925T-3232IN	2-1/2"-12	2-1/2"-12	73.40	104.40	45.24	45.24	2-1/2"	2-3/4"	Imperial

Certificate:

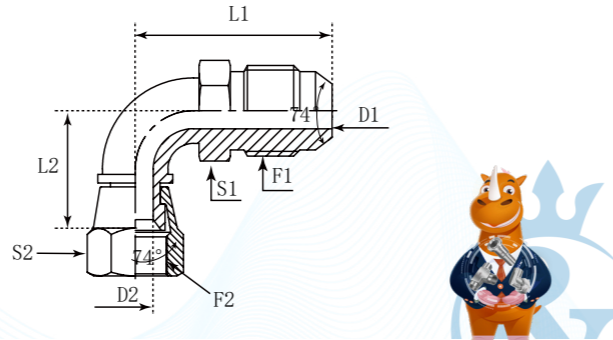
## DAJCM9251-B

90° Swept Elbow JIC Male – JIC Swivel Female

<b>D</b>	<b>A</b>	<b>JC</b>	<b>M</b>	<b>9</b>	<b>251</b>	<b>B</b>
Company	Product Range	Thread Types	Connection Type	Adaptor Structure	Connection Type	Elbow Type
<b>DME</b>	Adaptor	JIC UNF	Male	90° Elbow	JIC Swivel Female	Swept



- DME&JDE Code: **DAJCM9251-B**
- Product Type: **Hydraulic adaptor**
- Standard: **JIC and SAE-ORB**
- Structure: **90° Elbow**
- Connection Type: **Male x Swivel Female**
- Thread Types: **UNF x UNF**



PART NUMBER	F1 (Thread)	F2 (Thread)	D1	D2	L1	L2	S	S1	Hex
#	UNF	UNF	mm	mm	mm	mm	-	-	-
DAJCM9251-0404-B	7/16"-20	7/16"-20	4	4	41.5	31.5	12 mm	14 mm	Metric
DAJCM9251-0404-BIN	7/16"-20	7/16"-20	4	4	41.5	31.5	1/2"	9/16"	Imperial
DAJCM9251-0606-B	9/16"-18	9/16"-18	7.00	7.00	40.00	47.00	17 mm	17 mm	Metric
DAJCM9251-0606-BIN	9/16"-18	9/16"-18	7.00	7.00	40.00	47.00	5/8"	11/16"	Imperial
DAJCM9251-0808-B	3/4"-16	3/4"-16	9.30	9.30	45.00	45.00	22 mm	22 mm	Metric
DAJCM9251-0808-BIN	3/4"-16	3/4"-16	9.30	9.30	45.00	45.00	7/8"	13/16"	Imperial
DAJCM9251-1010-B	7/8"-14	7/8"-14	12.00	12.00	65.80	49.50	27 mm	27 mm	Metric
DAJCM9251-1010-BIN	7/8"-14	7/8"-14	12.00	12.00	65.80	49.50	15/16"	1"	Imperial
DAJCM9251-1212-B	1-1/16"-12	1-1/16"-12	15.00	15.00	69.50	61.00	27 mm	32 mm	Metric
DAJCM9251-1212-BIN	1-1/16"-12	1-1/16"-12	15.00	15.00	69.50	61.00	1-1/8"	1-1/4"	Imperial
DAJCM9251-1616-B	1-5/16"-12	1-5/16"-12	20.00	20.00	78.70	80.00	36 mm	41 mm	Metric
DAJCM9251-1616-BIN	1-5/16"-12	1-5/16"-12	20.00	20.00	78.70	80.00	1-3/8"	1-1/2"	Imperial
DAJCM9251-2020-B	1-5/8"-12	1-5/8"-12	26.00	26.00	99.00	95.00	41 mm	50 mm	Metric
DAJCM9251-2020-BIN	1-5/8"-12	1-5/8"-12	26.00	26.00	99.00	95.00	1-11/16"	2"	Imperial
DAJCM9251-2424-B	1-7/8"-12	1-7/8"-12	32.00	32.00	135.50	98.30	50 mm	58 mm	Metric
DAJCM9251-2424-BIN	1-7/8"-12	1-7/8"-12	32.00	32.00	135.50	98.30	2"	2-1/4"	Imperial

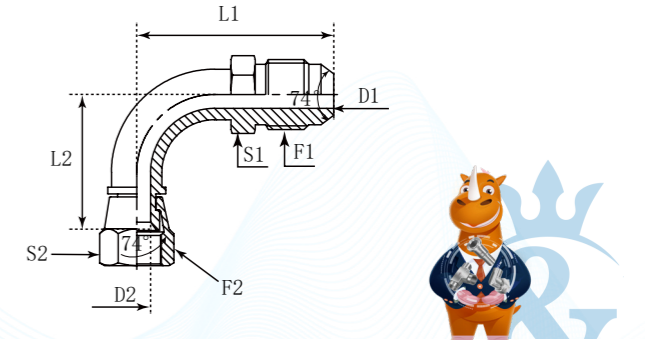
## DAJCM9251-L-B

90° Swept Elbow JIC Male – Long JIC Swivel Female

<b>D</b>	<b>A</b>	<b>JC</b>	<b>M</b>	<b>9</b>	<b>251</b>	<b>L</b>	<b>B</b>
Company	Product Range	Thread Types	Connection Type	Adaptor Structure	Connection Type	Elbow Length	Elbow Type
<b>DME</b>	Adaptor	JIC UNF	Male	90° Elbow	JIC Swivel Female	Long	Swept



- DME&JDE Code: **DAJCM9251-L-B**
- Product Type: **Hydraulic adaptor**
- Standard: **JIC and SAE-ORB**
- Structure: **90° Elbow**
- Connection Type: **Male x Long Swivel Female**
- Thread Types: **UNF x UNF**

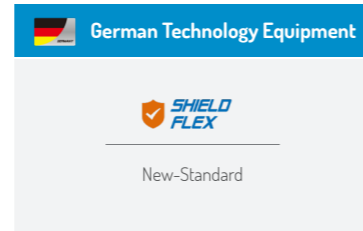
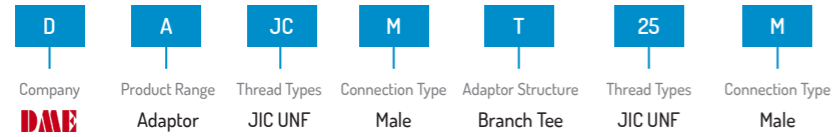


PART NUMBER	F1 (Thread)	F2 (Thread)	D1	D2	L1	L2	S1	S2	Hex
#	UNF	UNF	mm	mm	mm	mm	mm	mm	-
DAJCM9251-L-0404-B	7/16"-20	7/16"-20	4.00	4.00	39.50	70.80	12 mm	14 mm	Metric
DAJCM9251-L-0404-BIN	7/16"-20	7/16"-20	4.00	4.00	39.50	70.80	1/2"	9/16"	Imperial
DAJCM9251-L-0606-B	9/16"-18	9/16"-18	7.00	7.00	49.60	60.70	17 mm	17 mm	Metric
DAJCM9251-L-0606-BIN	9/16"-18	9/16"-18	7.00	7.00	49.60	60.70	5/8"	11/16"	Imperial
DAJCM9251-L-0808-B	3/4"-16	3/4"-16	9.30	9.30	58.00	75.00	22 mm	22 mm	Metric
DAJCM9251-L-0808-BIN	3/4"-16	3/4"-16	9.30	9.30	58.00	75.00	7/8"	13/16"	Imperial
DAJCM9251-L-1010-B	7/8"-14	7/8"-14	12.00	12.00	67.80	85.60	24 mm	27 mm	Metric
DAJCM9251-L-1010-BIN	7/8"-14	7/8"-14	12.00	12.00	67.80	85.60	15/16"	1"	Imperial
DAJCM9251-L-1212-B	1-1/16"-12	1-1/16"-12	15.00	15.00	69.50	92.90	27 mm	32 mm	Metric
DAJCM9251-L-1212-BIN	1-1/16"-12	1-1/16"-12	15.00	15.00	69.50	92.90	1-1/8"	1-1/4"	Imperial
DAJCM9251-L-1616-B	1-5/16"-12	1-5/16"-12	20.00	20.00	88.40	125.20	36 mm	41 mm	Metric
DAJCM9251-L-1616-BIN	1-5/16"-12	1-5/16"-12	20.00	20.00	88.40	125.20	1-3/8"	1-1/2"	Imperial
DAJCM9251-L-2020-B	1-5/8"-12	1-5/8"-12	26.00	26.00	104.70	145.50	41 mm	50 mm	Metric
DAJCM9251-L-2020-BIN	1-5/8"-12	1-5/8"-12	26.00	26.00	104.70	145.50	1-11/16"	2"	Imperial
DAJCM9251-L-2424-B	1-7/8"-12	1-7/8"-12	32.00	32.00	135.50	150.00	50 mm	58 mm	Metric
DAJCM9251-L-2424-BIN	1-7/8"-12	1-7/8"-12	32.00	32.00	135.50	150.00	2"	2-1/4"	Imperial

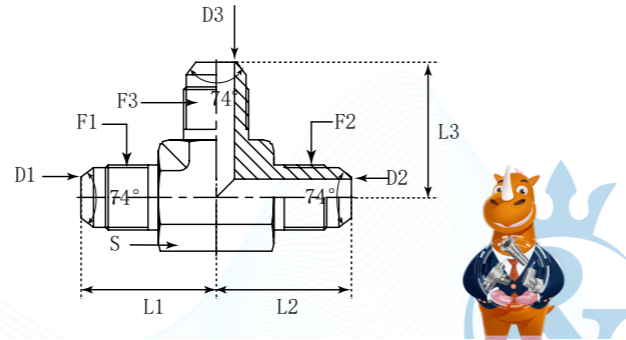


# DAJCMT25M

Branch Tee Connector JIC Male – JIC Male



- DME&JDE Code: **DAJCMT25M**
- Product Type: **Hydraulic adaptor**
- Standard: **JIC and SAE-ORB**
- Structure: **Branch Tee**
- Connection Type: **Male x Male x Male**
- Thread Types: **UNF x UNF x UNF**



PART NUMBER	F1 (Thread)	F2 (Thread)	F3 (Thread)	D1	D2	D3	L1	L2	L3	S	Hex
#	UNF	UNF	UNF	mm	mm	mm	mm	mm	mm	-	-
DAJCMT25M-0202	5/16"-24	5/16"-24	5/16"-24	1.57	1.57	1.57	19.60	19.60	19.60	11 mm	Metric
DAJCMT25M-0202IN	5/16"-24	5/16"-24	5/16"-24	1.57	1.57	1.57	19.60	19.60	19.60	7/16"	Imperial
DAJCMT25M-0303	3/8"-24	3/8"-24	3/8"-24	3.18	3.18	3.18	21.10	21.10	21.10	11 mm	Metric
DAJCMT25M-0303IN	3/8"-24	3/8"-24	3/8"-24	3.18	3.18	3.18	21.10	21.10	21.10	7/16"	Imperial
DAJCMT25M-0404	7/16"-20	7/16"-20	7/16"-20	4.37	4.37	4.37	22.60	22.60	22.60	11 mm	Metric
DAJCMT25M-0406	7/16"-20	7/16"-20	9/16"-18	4.37	4.37	7.54	26.70	26.70	7.54	14 mm	Metric
DAJCMT25M-0404IN	7/16"-20	7/16"-20	7/16"-20	4.37	4.37	4.37	22.60	22.60	22.60	7/16"	Imperial
DAJCMT25M-0406IN	7/16"-20	7/16"-20	9/16"-18	4.37	4.37	7.54	26.70	26.70	7.54	9/16"	Imperial
DAJCMT25M-0505	1/2"-20	1/2"-20	1/2"-20	5.94	5.94	5.94	24.10	24.10	24.10	14 mm	Metric
DAJCMT25M-0505IN	1/2"-20	1/2"-20	1/2"-20	5.94	5.94	5.94	24.10	24.10	24.10	9/16"	Imperial
DAJCMT25M-0604	9/16"-18	9/16"-18	7/16"-20	7.54	7.54	4.37	26.90	26.90	26.70	14 mm	Metric
DAJCMT25M-0606	9/16"-18	9/16"-18	9/16"-18	7.54	7.54	7.54	26.90	26.90	26.90	14 mm	Metric
DAJCMT25M-0608	9/16"-18	9/16"-18	3/4"-16	7.54	7.54	9.93	29.00	29.00	31.80	19 mm	Metric
DAJCMT25M-0610	9/16"-18	9/16"-18	7/8"-14	7.54	7.54	12.29	31.00	31.00	36.80	22 mm	Metric
DAJCMT25M-0604IN	9/16"-18	9/16"-18	7/16"-20	7.54	7.54	4.37	26.90	26.90	26.70	9/16"	Imperial
DAJCMT25M-0606IN	9/16"-18	9/16"-18	9/16"-18	7.54	7.54	7.54	26.90	26.90	26.90	9/16"	Imperial
DAJCMT25M-0608IN	9/16"-18	9/16"-18	3/4"-16	7.54	7.54	9.93	29.00	29.00	31.80	3/4"	Imperial
DAJCMT25M-0610IN	9/16"-18	9/16"-18	7/8"-14	7.54	7.54	12.29	31.00	31.00	36.80	7/8"	Imperial
DAJCMT25M-080606	3/4"-16	9/16"-18	9/16"-18	9.93	7.54	7.54	31.80	29.00	29.00	19 mm	Metric
DAJCMT25M-080608	3/4"-16	9/16"-18	3/4"-16	9.93	7.54	9.93	31.80	29.00	31.80	19 mm	Metric
DAJCMT25M-0806	3/4"-16	3/4"-16	9/16"-18	9.93	9.93	7.54	31.80	31.80	29.00	19 mm	Metric
DAJCMT25M-0808	3/4"-16	3/4"-16	3/4"-16	9.93	9.93	9.93	31.80	31.80	31.80	19 mm	Metric
DAJCMT25M-0810	3/4"-16	3/4"-16	7/8"-14	9.93	9.93	12.29	33.80	33.80	36.80	22 mm	Metric
DAJCMT25M-0812	3/4"-16	3/4"-16	1-1/16"-12	9.93	9.93	15.47	36.80	36.80	42.20	27 mm	Metric

Web: <https://www.dmejde.com>  
E-mail: [info@dmejde.com](mailto:info@dmejde.com)



DAJCMT25M-080606IN	3/4"-16	9/16"-18	9/16"-18	9.93	7.54	7.54	31.80	29.00	29.00	3/4"	Imperial
DAJCMT25M-080608IN	3/4"-16	9/16"-18	3/4"-16	9.93	7.54	9.93	31.80	29.00	31.80	3/4"	Imperial
DAJCMT25M-0806IN	3/4"-16	3/4"-16	9/16"-18	9.93	9.93	7.54	31.80	31.80	29.00	3/4"	Imperial
DAJCMT25M-0808IN	3/4"-16	3/4"-16	3/4"-16	9.93	9.93	9.93	31.80	31.80	31.80	3/4"	Imperial
DAJCMT25M-0810IN	3/4"-16	3/4"-16	7/8"-14	9.93	9.93	12.29	33.80	33.80	36.80	7/8"	Imperial
DAJCMT25M-0812IN	3/4"-16	3/4"-16	1-1/16"-12	9.93	9.93	15.47	36.80	36.80	42.20	1-1/16"	Imperial
DAJCMT25M-100606	7/8"-14	9/16"-18	9/16"-18	12.29	7.54	7.54	36.80	31.00	31.00	22 mm	Metric
DAJCMT25M-100808	7/8"-14	3/4"-16	3/4"-16	12.29	9.93	9.93	36.80	3.80	33.80	22 mm	Metric
DAJCMT25M-1008	7/8"-14	7/8"-14	3/4"-16	12.29	12.29	9.93	36.80	36.80	33.80	22 mm	Metric
DAJCMT25M-1010	7/8"-14	7/8"-14	7/8"-14	12.29	12.29	12.29	36.80	36.80	36.80	22 mm	Metric
DAJCMT25M-1012	7/8"-14	7/8"-14	1-1/16"-12	12.29	12.29	15.47	40.00	40.00	42.20	27 mm	Metric
DAJCMT25M-100606IN	7/8"-14	9/16"-18	9/16"-18	12.29	7.54	7.54	36.80	31.00	31.00	7/8"	Imperial
DAJCMT25M-100808IN	7/8"-14	3/4"-16	3/4"-16	12.29	9.93	9.93	36.80	3.80	33.80	7/8"	Imperial
DAJCMT25M-1008IN	7/8"-14	7/8"-14	3/4"-16	12.29	12.29	9.93	36.80	36.80	33.80	7/8"	Imperial
DAJCMT25M-1010IN	7/8"-14	7/8"-14	7/8"-14	12.29	12.29	12.29	36.80	36.80	36.80	7/8"	Imperial
DAJCMT25M-1012IN	7/8"-14	7/8"-14	1-1/16"-12	12.29	12.29	15.47	40.00	40.00	42.20	1-1/16"	Imperial
DAJCMT25M-1208	1-1/16"-12	1-1/16"-12	3/4"-16	15.47	15.47	9.93	42.20	42.20	36.10	27 mm	Metric
DAJCMT25M-1210	1-1/16"-12	1-1/16"-12	7/8"-14	15.47	15.47	12.29	42.20	42.20	39.12	27 mm	Metric
DAJCMT25M-1212	1-1/16"-12	1-1/16"-12	1-1/16"-12	15.47	15.47	15.47	42.20	42.20	42.20	27 mm	Metric
DAJCMT25M-1216	1-1/16"-12	1-1/16"-12	1-5/16"-12	15.47	15.47	21.44	44.70	44.70	46.00	33 mm	Metric
DAJCMT25M-1208IN	1-1/16"-12	1-1/16"-12	3/4"-16	15.47	15.47	9.93	42.20	42.20	36.10	1-1/16"	Imperial
DAJCMT25M-1210IN	1-1/16"-12	1-1/16"-12	7/8"-14	15.47	15.47	12.29	42.20	42.20	39.12	1-1/16"	Imperial
DAJCMT25M-1212IN	1-1/16"-12	1-1/16"-12	1-1/16"-12	15.47	15.47	15.47	42.20	42.20	42.20	1-1/16"	Imperial
DAJCMT25M-1216IN	1-1/16"-12	1-1/16"-12	1-5/16"-12	15.47	15.47	21.44	44.70	44.70	46.00	1-5/16"	Imperial
DAJCMT25M-1414	1-3/16"-12	1-3/16"-12	1-3/16"-12	18.26	18.26	18.26	45.70	45.70	45.70	33 mm	Metric
DAJCMT25M-1414IN	1-3/16"-12	1-3/16"-12	1-3/16"-12	18.26	18.26	18.26	45.70	45.70	45.70	1-5/16"	Imperial
DAJCMT25M-161212	1-5/16"-12	1-1/16"-12	1-1/16"-12	21.44	15.47	15.47	46.00	44.70	44.70	33 mm	Metric
DAJCMT25M-161220	1-5/16"-12	1-1/16"-12	1-5/8"-12	21.44	15.47	27.38	51.00	51.00	52.30	41 mm	Metric
DAJCMT25M-1612	1-5/16"-12	1-5/16"-12	1-1/16"-12	21.44	21.44	15.47	46.00	46.00	44.70	33 mm	Metric
DAJCMT25M-1616	1-5/16"-12	1-5/16"-12	1-5/16"-12	21.44	21.44	21.44	46.00	46.00	46.00	33 mm	Metric
DAJCMT25M-1620	1-5/16"-12	1-5/16"-12	1-5/8"-12	21.44	27.38	27.38	51.10	51.10	52.30	41 mm	Metric
DAJCMT25M-161212IN	1-5/16"-12	1-1/16"-12	1-1/16"-12	21.44	15.47	15.47	46.00	44.70	44.70	1-5/16"	Imperial
DAJCMT25M-161220IN	1-5/16"-12	1-1/16"-12	1-5/8"-12	21.44	15.47	27.38	51.00	51.00	52.30	1-5/8"	Imperial
DAJCMT25M-1612IN	1-5/16"-12	1-5/16"-12	1-1/16"-12	21.44	21.44	15.47	46.00	46.00	44.70	1-5/16"	Imperial
DAJCMT25M-1616IN	1-5/16"-12	1-5/16"-12	1-5/16"-12	21.44	21.44	21.44	46.00	46.00	46.00	1-5/16"	Imperial
DAJCMT25M-1620IN	1-5/16"-12	1-5/16"-12	1-5/8"-12	21.44	27.38	27.38	51.10	51.10	52.30	1-5/8"	Imperial
DAJCMT25M-2016	1-5/8"-12	1-5/8"-12	1-5/16"-12	27.38	27.38	21.44	52.30	52.30	51.10	41 mm	Metric
DAJCMT25M-2020	1-5/8"-12	1-5/8"-12	1-5/8"-12	27.38	27.38	27.38	52.30	52.30	52.30	41 mm	Metric
DAJCMT25M-2016IN	1-5/8"-12	1-5/8"-12	1-5/16"-12	27.38	27.38	21.44	52.30	52.30	51.10	1-5/8"	Imperial
DAJCMT25M-2020IN	1-5/8"-12	1-5/8"-12	1-5/8"-12	27.38	27.38	27.38	52.30	52.30	52.30	1-5/8"	Imperial
DAJCMT25M-2424	1-7/8"-12	1-7/8"-12	1-7/8"-12	33.32	33.32	33.32	59.20	59.20	59.20	48 mm	Metric
DAJCMT25M-2424IN	1-7/8"-12	1-7/8"-12	1-7/8"-12	33.32	33.32	33.32	59.20	59.20	59.20	1-7/8"	Imperial
DAJCMT25M-3232	2-1/2"-12	2-1/2"-12	2-1/2"-12	45.24	45.24	45.24	77.70	77.70	77.70	65 mm	Metric
DAJCMT25M-3232IN	2-1/2"-12	2-1/2"-12	2-1/2"-12	45.24	45.24	45.24	77.70	77.70	77.70	2-1/2"	Imperial



Web: <https://www.dmejde.com>  
E-mail: [info@dmejde.com](mailto:info@dmejde.com)



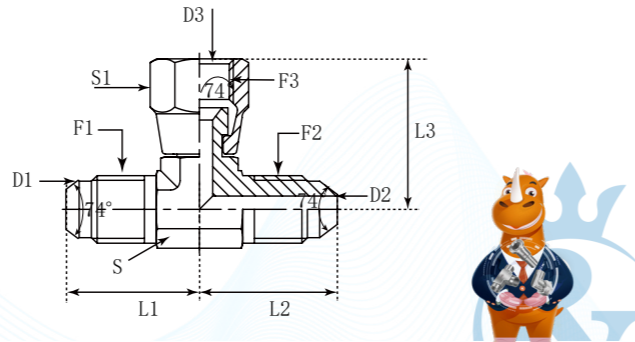
## DAJCMT251

Branch Tee Connector JIC Male – JIC Swivel Female

<b>D</b>	<b>A</b>	<b>JC</b>	<b>M</b>	<b>T</b>	<b>251</b>
Company	Product Range	Thread Types	Connection Type	Adaptor Structure	Connection Type
<b>DME</b>	Adaptor	JIC UNF	Male	Branch Tee	JIC Swivel Female



- DME&JDE Code: **DAJCMT251**
- Product Type: **Hydraulic adaptor**
- Standard: **JIC and SAE-ORB**
- Structure: **Branch Tee**
- Connection Type: **Male x Male x Male**
- Thread Types: **UNF x UNF x UNF**



PART NUMBER	F1 (Thread)	F2 (Thread)	F3 (Thread)	L1	L2	L3	D1	D2	D3	S	S1	Hex
#	UNF	UNF	UNF	mm	mm	mm	mm	mm	mm	-	-	-
DAJCMT251-0303	3/8"-24	3/8"-24	3/8"-24	21.08	21.08	17.07	3.18	3.18	3.18	11 mm	12 mm	Metric
DAJCMT251-0303IN	3/8"-24	3/8"-24	3/8"-24	21.08	21.08	17.07	3.18	3.18	3.18	7/16"	1/2"	Imperial
DAJCMT251-0404	7/16"-20	7/16"-20	7/16"-20	22.61	22.61	16.70	4.37	4.37	4.37	11 mm	14 mm	Metric
DAJCMT251-0404IN	7/16"-20	7/16"-20	7/16"-20	22.61	22.61	16.70	4.37	4.37	4.37	7/16"	9/16"	Imperial
DAJCMT251-0505	1/2"-20	1/2"-20	1/2"-20	24.10	24.10	17.40	5.94	5.94	5.94	14 mm	17 mm	Metric
DAJCMT251-0505IN	1/2"-20	1/2"-20	1/2"-20	24.10	24.10	17.40	5.94	5.94	5.94	9/16"	5/8"	Imperial
DAJCMT251-0606	9/16"-18	9/16"-18	9/16"-18	26.92	26.92	22.22	7.54	7.54	7.54	14 mm	19 mm	Metric
DAJCMT251-0608	9/16"-18	9/16"-18	3/4"-16	28.90	28.90	24.33	7.54	7.54	9.93	19 mm	22 mm	Metric
DAJCMT251-0606IN	9/16"-18	9/16"-18	9/16"-18	26.92	26.92	22.22	7.54	7.54	7.54	9/16"	11/16"	Imperial
DAJCMT251-0608IN	9/16"-18	9/16"-18	3/4"-16	28.90	28.90	24.33	7.54	7.54	9.93	3/4"	7/8"	Imperial
DAJCMT251-0806	3/4"-16	3/4"-16	9/16"-18	31.75	31.75	23.04	9.93	9.93	7.54	19 mm	19 mm	Metric
DAJCMT251-0808	3/4"-16	3/4"-16	3/4"-16	31.75	31.75	24.33	9.93	9.93	9.93	19 mm	22 mm	Metric
DAJCMT251-0806IN	3/4"-16	3/4"-16	9/16"-18	31.75	31.75	23.04	9.93	9.93	7.54	3/4"	11/16"	Imperial
DAJCMT251-0808IN	3/4"-16	3/4"-16	3/4"-16	31.75	31.75	24.33	9.93	9.93	9.93	3/4"	7/8"	Imperial
DAJCMT251-1010	7/8"-14	7/8"-14	7/8"-14	36.80	36.80	28.50	12.29	12.29	12.29	22 mm	27 mm	Metric
DAJCMT251-1010IN	7/8"-14	7/8"-14	7/8"-14	36.80	36.80	28.50	12.29	12.29	12.29	7/8"	1"	Imperial
DAJCMT251-1210	1-1/16"-12	1-1/16"-12	7/8"-14	42.20	42.20	28.70	15.47	15.47	12.29	27 mm	27 mm	Metric
DAJCMT251-1212	1-1/16"-12	1-1/16"-12	1-1/16"-12	42.20	42.20	30.20	15.47	15.47	15.47	27 mm	32 mm	Metric
DAJCMT251-1210IN	1-1/16"-12	1-1/16"-12	7/8"-14	42.20	42.20	28.70	15.47	15.47	12.29	1-1/16"	1"	Imperial
DAJCMT251-1212IN	1-1/16"-12	1-1/16"-12	1-1/16"-12	42.20	42.20	30.20	15.47	15.47	15.47	1-1/16"	1-1/4"	Imperial
DAJCMT251-1414	1-3/16"-12	1-3/16"-12	1-3/16"-12	45.70	45.70	35.70	18.26	18.26	18.26	33 mm	36 mm	Metric
DAJCMT251-1414IN	1-3/16"-12	1-3/16"-12	1-3/16"-12	45.70	45.70	35.70	18.26	18.26	18.26	1-5/16"	1-3/8"	Imperial
DAJCMT251-1616	1-5/16"-12	1-5/16"-12	1-5/16"-12	46.00	46.00	35.71	21.44	21.44	21.44	33 mm	41 mm	Metric
DAJCMT251-1616IN	1-5/16"-12	1-5/16"-12	1-5/16"-12	46.00	46.00	35.71	21.44	21.44	21.44	1-5/16"	1-1/2"	Imperial
DAJCMT251-2020	1-5/8"-12	1-5/8"-12	1-5/8"-12	52.30	52.30	42.80	27.38	27.38	27.42	41 mm	50 mm	Metric
DAJCMT251-2020IN	1-5/8"-12	1-5/8"-12	1-5/8"-12	52.30	52.30	42.80	27.38	27.38	27.42	1-5/8"	2"	Imperial
DAJCMT251-2424	1-7/8"-12	1-7/8"-12	1-7/8"-12	59.20	59.20	47.14	33.32	33.32	33.32	48 mm	60 mm	Metric
DAJCMT251-2424IN	1-7/8"-12	1-7/8"-12	1-7/8"-12	59.20	59.20	47.14	33.32	33.32	33.32	1-7/8"	2-1/4"	Imperial
DAJCMT251-3232	2-1/2"-12	2-1/2"-12	2-1/2"-12	77.70	77.70	61.98	45.24	45.24	45.24	65 mm	75 mm	Metric
DAJCMT251-3232IN	2-1/2"-12	2-1/2"-12	2-1/2"-12	77.70	77.70	61.98	45.24	45.24	45.24	2-1/2"	2-7/8"	Imperial

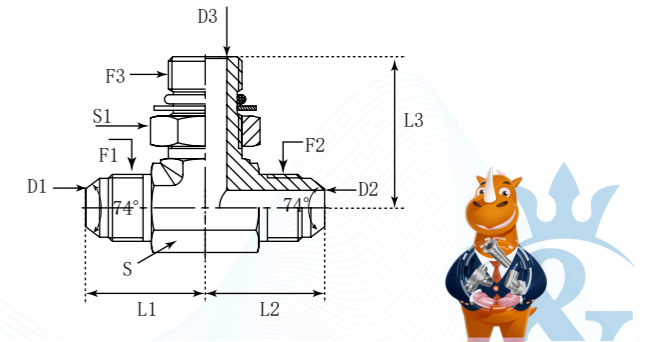
## DAJCMT305

Branch Adjustable Tee JIC Male – SAE Male O Ring

<b>D</b>	<b>A</b>	<b>JC</b>	<b>M</b>	<b>T</b>	<b>30</b>	<b>5</b>
Company	Product Range	Thread Types	Connection Type	Adaptor Structure	Thread Types	Connection Type
<b>DME</b>	Adaptor	JIC UNF	Male	Branch Tee	SAE UNF	Male O Ring



- DME&JDE Code: **DAJCMT305**
- Product Type: **Hydraulic adaptor**
- Standard: **JIC and SAE-ORB**
- Structure: **Branch Tee**
- Connection Type: **Male x Male x Male**
- Thread Types: **UNF x UNF x UNF**
- Sealing Method: **O Ring**



PART NUMBER	F1 (Thread)	F2 (Thread)	F3 (Thread)	L1	L2	L3	D1	D2	D3	S	S1	Hex
#	UNF	UNF	UNF	mm	mm	mm	mm	mm	mm	-	-	-
DAJCMT305-0202	5/16"-24	5/16"-24	5/16"-24	19.6	19.6	23.9	1.57	1.57	1.57	11 mm	11 mm	Metric
DAJCMT305-0202IN	5/16"-24	5/16"-24	5/16"-24	19.6	19.6	23.9	1.57	1.57	1.57	7/16"	7/16"	Imperial
DAJCMT305-0402	7/16"-20	7/16"-20	5/16"-24	22.60	22.60	23.40	4.37	4.37	1.57	11 mm	11 mm	Metric
DAJCMT305-0404	7/16"-20	7/16"-20	7/16"-20	22.60	22.60	26.20	4.37	4.37	4.37	11 mm	14 mm	Metric
DAJCMT305-0405	7/16"-20	7/16"-20	1/2"-20	24.10	24.10	28.70	4.37	4.37	5.94	14 mm	17 mm	Metric
DAJCMT305-0406	7/16"-20	7/16"-20	9/16"-18	26.70	26.70	31.80	4.37	4.37	7.54	14 mm	19 mm	Metric
DAJCMT305-0402IN	7/16"-20	7/16"-20	5/16"-24	22.60	22.60	23.40	4.37	4.37	1.57	7/16"	7/16"	Imperial
DAJCMT305-0404IN	7/16"-20	7/16"-20	7/16"-20	22.60	22.60	26.20	4.37	4.37	4.37	7/16"	9/16"	Imperial
DAJCMT305-0405IN	7/16"-20	7/16"-20	1/2"-20	24.10	24.10	28.70	4.37	4.37	5.94	9/16"	5/8"	Imperial
DAJCMT305-0406IN	7/16"-20	7/16"-20	9/16"-18	26.70	26.70	31.80	4.37	4.37	7.54	9/16"	11/16"	Imperial
DAJCMT305-0505	1/2"-20	1/2"-20	1/2"-20	24.10	24.10	28.70	5.94	5.94	5.94	14 mm	17 mm	Metric
DAJCMT305-0505IN	1/2"-20	1/2"-20	1/2"-20	24.10	24.10	28.70	5.94	5.94	5.94	9/16"	5/8"	Imperial
DAJCMT305-0604	9/16"-18	9/16"-18	7/16"-20	26.90	26.90	30.20	7.54	7.54	4.37	14 mm	14 mm	Metric
DAJCMT305-0606	9/16"-18	9/16"-18	9/16"-18	26.90	26.90	31.80	7.54	7.54	7.54	14 mm	19 mm	Metric
DAJCMT305-0608	9/16"-18	9/16"-18	3/4"-16	29.00	29.00	36.80	7.54	7.54	9.93	19 mm	22 mm	Metric
DAJCMT305-0604IN	9/16"-18	9/16"-18	7/16"-20	26.90	26.90	30.20	7.54	7.54	4.37	9/16"	9/16"	Imperial
DAJCMT305-0606IN	9/16"-18	9/16"-18	9/16"-18	26.90	26.90	31.80	7.54	7.54	7.54	9/16"	11/16"	Imperial
DAJCMT305-0608IN	9/16"-18	9/16"-18	3/4"-16	29.00	29.00	36.80	7.54	7.54	9.93	3/4"	7/8"	Imperial
DAJCMT305-0806	3/4"-16	3/4"-16	9/16"-18	31.80	31.80	33.50	9.93	9.93	7.54	19 mm	19 mm	Metric
DAJCMT305-0808	3/4"-16	3/4"-16	3/4"-16	31.80	31.80	36.80	9.93	9.93	9.93	19 mm	22 mm	Metric

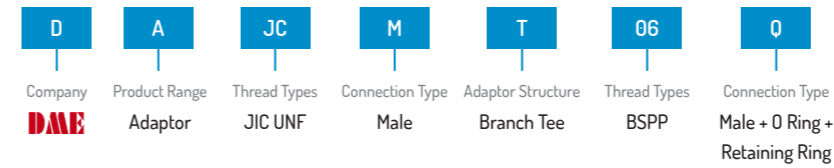
DAJCMT305-0810	3/4"-16	3/4"-16	7/8"-14	33.80	33.80	43.20	9.93	9.93	12.29	22 mm	27 mm	Metric
DAJCMT305-0812	3/4"-16	3/4"-16	1-1/16"-12	36.20	36.20	49.30	9.93	9.93	15.47	27 mm	32 mm	Metric
DAJCMT305-0806IN	3/4"-16	3/4"-16	9/16"-18	31.80	31.80	33.50	9.93	9.93	7.54	3/4"	11/16"	Imperial
DAJCMT305-0808IN	3/4"-16	3/4"-16	3/4"-16	31.80	31.80	36.80	9.93	9.93	9.93	3/4"	7/8"	Imperial
DAJCMT305-0810IN	3/4"-16	3/4"-16	7/8"-14	33.80	33.80	43.20	9.93	9.93	12.29	7/8"	1"	Imperial
DAJCMT305-0812IN	3/4"-16	3/4"-16	1-1/16"-12	36.20	36.20	49.30	9.93	9.93	15.47	1-1/16"	1-1/4"	Imperial
DAJCMT305-1008	7/8"-14	7/8"-14	3/4"-16	36.80	36.80	39.10	12.29	12.29	9.93	22 mm	22 mm	Metric
DAJCMT305-1010	7/8"-14	7/8"-14	7/8"-14	36.80	36.80	43.10	12.29	12.29	12.29	22 mm	27 mm	Metric
DAJCMT305-1012	7/8"-14	7/8"-14	1-1/16"-12	39.10	39.10	49.30	12.29	12.29	15.47	27 mm	32 mm	Imperial
DAJCMT305-1008IN	7/8"-14	7/8"-14	3/4"-16	36.80	36.80	39.10	12.29	12.29	9.93	7/8"	7/8"	Imperial
DAJCMT305-1010IN	7/8"-14	7/8"-14	7/8"-14	36.80	36.80	43.10	12.29	12.29	12.29	7/8"	1"	Imperial
DAJCMT305-1012IN	7/8"-14	7/8"-14	1-1/16"-12	39.10	39.10	49.30	12.29	12.29	15.47	1-1/16"	1-1/4"	Imperial
DAJCMT305-1206	1-1/16"-12	1-1/16"-12	9/16"-18	42.16	42.16	37.85	15.47	15.47	7.54	27 mm	19 mm	Imperial
DAJCMT305-1208	1-1/16"-12	1-1/16"-12	3/4"-16	42.20	42.20	42.00	15.47	15.47	9.93	27 mm	22 mm	Metric
DAJCMT305-1210	1-1/16"-12	1-1/16"-12	7/8"-14	42.20	42.20	45.20	15.47	15.47	12.29	27 mm	27 mm	Metric
DAJCMT305-1212	1-1/16"-12	1-1/16"-12	1-1/16"-12	42.20	42.20	49.30	15.47	15.47	15.47	27 mm	32 mm	Metric
DAJCMT305-1216	1-1/16"-12	1-1/16"-12	1-5/16"-12	44.70	44.70	52.10	15.47	15.47	21.44	33 mm	41 mm	Metric
DAJCMT305-1206IN	1-1/16"-12	1-1/16"-12	9/16"-18	42.16	42.16	37.85	15.47	15.47	7.54	1-1/16"	11/16"	Imperial
DAJCMT305-1208IN	1-1/16"-12	1-1/16"-12	3/4"-16	42.20	42.20	42.00	15.47	15.47	9.93	1-1/16"	7/8"	Imperial
DAJCMT305-1210IN	1-1/16"-12	1-1/16"-12	7/8"-14	42.20	42.20	45.20	15.47	15.47	12.29	1-1/16"	1"	Imperial
DAJCMT305-1212IN	1-1/16"-12	1-1/16"-12	1-1/16"-12	42.20	42.20	49.30	15.47	15.47	15.47	1-1/16"	1-1/4"	Imperial
DAJCMT305-1216IN	1-1/16"-12	1-1/16"-12	1-5/16"-12	44.70	44.70	52.10	15.47	15.47	21.44	1-5/16"	1-1/2"	Imperial
DAJCMT305-1414	1-3/16"-12	1-3/16"-12	1-3/16"-12	45.70	45.70	50.80	18.26	18.26	18.26	33 mm	36 mm	Metric
DAJCMT305-1414IN	1-3/16"-12	1-3/16"-12	1-3/16"-12	45.70	45.70	50.80	18.26	18.26	18.26	1-5/16"	1-3/8"	Imperial
DAJCMT305-1612	1-5/16"-12	1-5/16"-12	1-1/16"-12	46.00	46.00	52.10	21.44	21.44	15.47	33 mm	32 mm	Metric
DAJCMT305-1616	1-5/16"-12	1-5/16"-12	1-5/16"-12	46.00	46.00	52.10	21.44	21.44	21.44	33 mm	41 mm	Metric
DAJCMT305-1620	1-5/16"-12	1-5/16"-12	1-5/8"-12	51.10	51.10	57.20	21.44	21.44	27.38	41 mm	50 mm	Metric
DAJCMT305-1612IN	1-5/16"-12	1-5/16"-12	1-1/16"-12	46.00	46.00	52.10	21.44	21.44	15.47	1-5/16"	1-1/4"	Imperial
DAJCMT305-1616IN	1-5/16"-12	1-5/16"-12	1-5/16"-12	46.00	46.00	52.10	21.44	21.44	21.44	1-5/16"	1-1/2"	Imperial
DAJCMT305-1620IN	1-5/16"-12	1-5/16"-12	1-5/8"-12	51.10	51.10	57.20	21.44	21.44	27.38	1-5/8"	1-7/8"	Imperial
DAJCMT305-2020	1-5/8"-12	1-5/8"-12	1-5/8"-12	52.30	52.30	57.20	27.38	27.38	27.38	41 mm	50 mm	Metric
DAJCMT305-2020IN	1-5/8"-12	1-5/8"-12	1-5/8"-12	52.30	52.30	57.20	27.38	27.38	27.38	1-5/8"	1-7/8"	Imperial
DAJCMT305-2424	1-7/8"-12	1-7/8"-12	1-7/8"-12	59.20	59.20	60.70	33.32	33.32	33.32	48 mm	55 mm	Metric
DAJCMT305-2424IN	1-7/8"-12	1-7/8"-12	1-7/8"-12	59.20	59.20	60.70	33.32	33.32	33.32	1-7/8"	2-1/8"	Imperial
DAJCMT305-3232	2-1/2"-12	2-1/2"-12	2-1/2"-12	77.70	77.70	73.40	45.24	45.24	45.24	65 mm	70 mm	Metric
DAJCMT305-3232IN	2-1/2"-12	2-1/2"-12	2-1/2"-12	77.70	77.70	73.40	45.24	45.24	45.24	2-1/2"	2-3/4"	Imperial

Web: <https://www.dmejde.com>  
E-mail: [info@dmejde.com](mailto:info@dmejde.com)

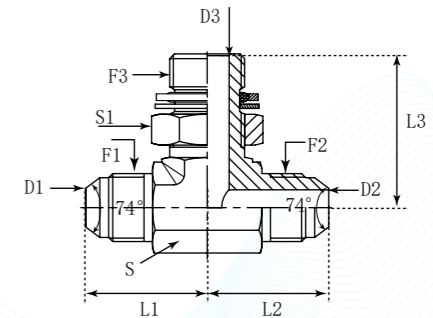


## DAJCMT06Q

Branch Adjustable Tee JIC Male – BSPP Male + O Ring + Retaining Ring



- DME&JDE Code:** DAJCMT06Q
- Product Type:** Hydraulic adaptor
- Standard:** JIC and SAE-ORB
- Structure:** Branch Tee
- Connection Type:** Adjustable Male x Male
- Thread Types:** UNF x BSPP x UNF
- Other Features:** O Ring + Retaining Ring



PART NUMBER	F1(Thread)	F2 (Thread)	F3 (Thread)	D1	D2	D3	L1	L2	L3	S	S1
#	UNF	UNF	BSPP	mm	mm	mm	mm	mm	mm	mm	mm
DAJCMT06Q-0402	7/16"-20	7/16"-20	1/8"-28	4.37	4.37	4.40	22.50	22.50	26.00	11	14
DAJCMT06Q-0404	7/16"-20	7/16"-20	1/4"-19	4.37	4.37	7.50	27.00	27.00	31.80	14	19
DAJCMT06Q-0406	7/16"-20	7/16"-20	3/8"-19	4.37	4.37	9.90	28.50	28.50	36.50	19	22
DAJCMT06Q-0408	7/16"-20	7/16"-20	1/2"-14	4.37	4.37	12.30	31.00	31.00	43.00	22	27
DAJCMT06Q-0502	1/2"-20	1/2"-20	1/8"-28	5.94	5.94	4.40	24.00	24.00	28.00	14	14
DAJCMT06Q-0504	1/2"-20	1/2"-20	1/4"-19	5.94	5.94	7.50	27.00	27.00	31.00	14	19
DAJCMT06Q-0506	1/2"-20	1/2"-20	3/8"-19	5.94	5.94	9.90	28.50	28.50	36.50	19	22
DAJCMT06Q-0604	9/16"-18	9/16"-18	1/4"-19	7.54	7.54	7.50	27.00	27.00	31.80	14	19
DAJCMT06Q-0606	9/16"-18	9/16"-18	3/8"-19	7.54	7.54	9.90	28.50	28.50	36.50	19	22
DAJCMT06Q-0608	9/16"-18	9/16"-18	1/2"-14	7.54	7.54	12.30	31.00	31.00	43.00	22	27
DAJCMT06Q-0804	3/4"-16	3/4"-16	1/4"-19	9.93	9.93	7.50	31.50	31.50	33.50	19	19
DAJCMT06Q-0806	3/4"-16	3/4"-16	3/8"-19	9.93	9.93	9.90	31.50	31.50	36.50	19	22
DAJCMT06Q-0808	3/4"-16	3/4"-16	1/2"-14	9.93	9.93	12.30	34.00	34.00	43.00	22	27
DAJCMT06Q-0812	3/4"-16	3/4"-16	3/4"-14	9.93	9.93	15.50	37.00	37.00	49.00	27	36
DAJCMT06Q-1006	7/8"-14	7/8"-14	3/8"-19	12.29	12.29	9.90	36.50	36.50	39.50	22	22
DAJCMT06Q-1008	7/8"-14	7/8"-14	1/2"-14	12.29	12.29	12.30	36.50	36.50	43.00	22	27
DAJCMT06Q-1012	7/8"-14	7/8"-14	3/4"-14	12.29	12.29	15.50	39.50	39.50	49.00	27	36
DAJCMT06Q-1208	1-1/16"-12	1-1/16"-12	1/2"-14	15.47	15.47	12.30	42.00	42.00	45.50	27	27
DAJCMT06Q-1212	1-1/16"-12	1-1/16"-12	3/4"-14	15.47	15.47	15.50	42.00	42.00	49.00	27	36
DAJCMT06Q-1216	1-1/16"-12	1-1/16"-12	1"-11	15.47	15.47	21.50	44.70	44.70	52.00	33	41
DAJCMT06Q-1220	1-1/16"-12	1-1/16"-12	1-1/4"-11	15.47	15.47	27.50	50.00	50.00	57.00	41	50
DAJCMT06Q-1612	1-5/16"-12	1-5/16"-12	3/4"-14	21.44	21.44	15.50	46.00	46.00	52.00	33	36
DAJCMT06Q-1616	1-5/16"-12	1-5/16"-12	1"-11	21.44	21.44	21.50	46.00	46.00	52.00	33	41
DAJCMT06Q-1620	1-5/16"-12	1-5/16"-12	1-1/4"-11	21.44	21.44	27.50	51.00	51.00	57.00	41	50
DAJCMT06Q-2016	1-5/8"-12	1-5/8"-12	1"-11	27.38	27.38	21.50	52.00	52.00	57.00	41	41
DAJCMT06Q-2020	1-5/8"-12	1-5/8"-12	1-1/4"-11	27.38	27.38	27.50	52.00	52.00	57.00	41	50
DAJCMT06Q-2420	1-7/8"-12	1-7/8"-12	1-1/4"-11	33.32	33.32	27.50	59.00	59.00	61.00	48	50
DAJCMT06Q-2424	1-7/8"-12	1-7/8"-12	1-1/2"-11	33.32	33.32	33.00	59.00	59.00	61.00	48	55



Web: <https://www.dmejde.com>  
E-mail: [info@dmejde.com](mailto:info@dmejde.com)





## DAJCMT065

Branch Adjustable Tee JIC Male – BSPP Male + O Ring

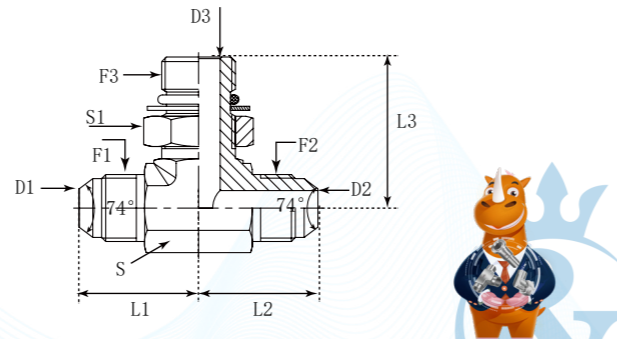
<b>D</b>	<b>A</b>	<b>JC</b>	<b>M</b>	<b>T</b>	<b>06</b>	<b>5</b>
Company	Product Range	Thread Types	Connection Type	Adaptor Structure	Thread Types	Connection Type
<b>DME</b>	Adaptor	JIC UNF	Male	Branch Tee	BSPP	Male + O Ring

German Technology Equipment

**SHIELD FLEX**

New-Standard

- DME&JDE Code: **DAJCMT065**
- Product Type: **Hydraulic adaptor**
- Standard: **JIC and SAE-ORB**
- Structure: **Branch Tee**
- Connection Type: **Adjustable Male x Male x Male**
- Thread Types: **UNF x UNF x BSPP**
- Sealing Method: **O Ring**



PART NUMBER	F1(Thread)	F2 (Thread)	F3 (Thread)	D1	D2	D3	L1	L2	L3	S	S1
#	UNF	UNF	BSPP	mm	mm	mm	mm	mm	mm	mm	mm
DAJCMT065-0402	7/16"-20	7/16"-20	1/8"-28	4.37	4.37	4.40	22.50	22.50	26.00	11	14
DAJCMT065-0404	7/16"-20	7/16"-20	1/4"-19	4.37	4.37	7.50	27.00	27.00	31.80	14	19
DAJCMT065-0406	7/16"-20	7/16"-20	3/8"-19	4.37	4.37	9.90	28.50	28.50	36.50	19	22
DAJCMT065-0502	1/2"-20	1/2"-20	1/8"-28	5.94	5.94	4.40	24.00	24.00	28.00	14	14
DAJCMT065-0504	1/2"-20	1/2"-20	1/4"-19	5.94	5.94	7.50	27.00	27.00	31.00	14	19
DAJCMT065-0506	1/2"-20	1/2"-20	3/8"-19	5.94	5.94	9.90	28.50	28.50	36.50	19	22
DAJCMT065-0604	9/16"-18	9/16"-18	1/4"-19	7.54	7.54	7.50	27.00	27.00	31.80	14	19
DAJCMT065-0606	9/16"-18	9/16"-18	3/8"-19	7.54	7.54	9.90	28.50	28.50	36.50	19	22
DAJCMT065-0608	9/16"-18	9/16"-18	1/2"-14	7.54	7.54	12.30	31.00	31.00	43.00	22	27
DAJCMT065-0804	3/4"-16	3/4"-16	1/4"-19	9.93	9.93	7.50	31.50	31.50	33.50	19	19
DAJCMT065-0806	3/4"-16	3/4"-16	3/8"-19	9.93	9.93	9.90	31.50	31.50	36.50	19	22
DAJCMT065-0808	3/4"-16	3/4"-16	1/2"-14	9.93	9.93	12.30	34.00	34.00	43.00	22	27
DAJCMT065-0812	3/4"-16	3/4"-16	3/4"-14	9.93	9.93	15.50	37.00	37.00	49.00	27	36
DAJCMT065-1006	7/8"-14	7/8"-14	3/8"-19	12.29	12.29	9.90	36.50	36.50	39.50	22	22
DAJCMT065-1008	7/8"-14	7/8"-14	1/2"-14	12.29	12.29	12.30	36.50	36.50	43.00	22	27
DAJCMT065-1012	7/8"-14	7/8"-14	3/4"-14	12.29	12.29	15.50	39.50	39.50	49.00	27	36
DAJCMT065-1208	1-1/16"-12	1-1/16"-12	1/2"-14	15.47	15.47	12.30	42.00	42.00	45.50	27	27
DAJCMT065-1212	1-1/16"-12	1-1/16"-12	3/4"-14	15.47	15.47	15.50	42.00	42.00	49.00	27	36
DAJCMT065-1216	1-1/16"-12	1-1/16"-12	1"-11	15.47	15.47	21.50	44.70	44.70	52.00	33	41
DAJCMT065-1220	1-1/16"-12	1-1/16"-12	1-1/4"-11	15.47	15.47	27.50	50.00	50.00	57.00	41	50
DAJCMT065-1612	1-5/16"-12	1-5/16"-12	3/4"-14	21.44	21.44	15.50	46.00	46.00	52.00	33	36
DAJCMT065-1616	1-5/16"-12	1-5/16"-12	1"-11	21.44	21.44	21.50	46.00	46.00	52.00	33	41
DAJCMT065-1620	1-5/16"-12	1-5/16"-12	1-1/4"-11	21.44	21.44	27.50	51.00	51.00	57.00	41	50
DAJCMT065-2016	1-5/8"-12	1-5/8"-12	1"-11	27.38	27.38	21.50	52.00	52.00	57.00	41	41
DAJCMT065-2020	1-5/8"-12	1-5/8"-12	1-1/4"-11	27.38	27.38	27.50	52.00	52.00	57.00	41	50
DAJCMT065-2420	1-7/8"-12	1-7/8"-12	1-1/4"-11	33.32	33.32	27.50	59.00	59.00	61.00	48	50
DAJCMT065-2424	1-7/8"-12	1-7/8"-12	1-1/2"-11	33.32	33.32	33.00	59.00	59.00	61.00	48	55

## DAJCMT52Q

Branch Adjustable Tee JIC Male – Metric Male + O Ring + Retaining Ring

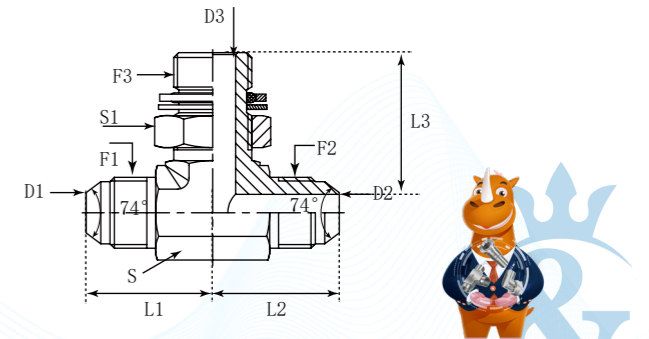
<b>D</b>	<b>A</b>	<b>JC</b>	<b>M</b>	<b>T</b>	<b>52</b>	<b>0</b>
Company	Product Range	Thread Types	Connection Type	Adaptor Structure	Thread Types	Connection Type
<b>DME</b>	Adaptor	JIC UNF	Male	Branch Tee	Metric	Male + O Ring + Retaining Ring

German Technology Equipment

**SHIELD FLEX**

New-Standard

- DME&JDE Code: **DAJCMT52Q**
- Product Type: **Hydraulic adaptor**
- Standard: **JIC and SAE-ORB**
- Structure: **Branch**
- Connection Type: **Adjustable Male x Male x Male**
- Thread Types: **UNF x UNF x Metric**
- Sealing Method: **O Ring + Retaining Ring**



PART NUMBER	F1(Thread)	F2 (Thread)	F3 (Thread)	D1	D2	D3	L1	L2	L3	S	S1
#	UNF	UNF	METRIC	mm	mm	mm	mm	mm	mm	mm	mm
DAJCMT52Q-0410	7/16"-20	7/16"-20	M10X1	4.37	4.37	4.00	22.50	22.50	27.50	11	14
DAJCMT52Q-0412	7/16"-20	7/16"-20	M12X1.5	4.37	4.37	5.00	27.00	27.00	31.50	14	17
DAJCMT52Q-0414	7/16"-20	7/16"-20	M14X1.5	4.37	4.37	6.00	27.00	27.00	32.50	14	19
DAJCMT52Q-0510	1/2"-20	1/2"-20	M10X1	5.94	5.94	4.00	27.00	27.00	28.50	14	14
DAJCMT52Q-0512	1/2"-20	1/2"-20	M12X1.5	5.94	5.94	4.00	27.00	27.00	31.50	14	17
DAJCMT52Q-0514	1/2"-20	1/2"-20	M14X1.5	5.94	5.94	6.00	27.00	27.00	32.50	14	19
DAJCMT52Q-0612	9/16"-18	9/16"-18	M12X1.5	7.54	7.54	4.00	27.00	27.00	31.50	14	17
DAJCMT52Q-0614	9/16"-18	9/16"-18	M14X1.5	7.54	7.54	6.00	27.00	27.00	32.50	14	19
DAJCMT52Q-0616	9/16"-18	9/16"-18	M16X1.5	7.54	7.54	7.00	28.50	28.50	36.50	19	22
DAJCMT52Q-0618	9/16"-18	9/16"-18	M18X1.5	7.54	7.54	9.00	29.00	29.00	39.50	19	24
DAJCMT52Q-0816	3/4"-16	3/4"-16	M16X1.5	9.93	9.93	9.00	31.50	31.50	36.50	19	22
DAJCMT52Q-0818	3/4"-16	3/4"-16	M18X1.5	9.93	9.93	9.00	31.50	31.50	37.60	19	24
DAJCMT52Q-0822	3/4"-16	3/4"-16	M22X1.5	9.93	9.93	12.00	33.80	33.80	43.00	22	27
DAJCMT52Q-1018	7/8"-14	7/8"-14	M18X1.5	12.29	12.29	9.00	36.50	36.50	41.50	22	24
DAJCMT52Q-1020	7/8"-14	7/8"-14	M20X1.5	12.29	12.29	12.00	36.50	36.50	43.00	22	27
DAJCMT52Q-1022	7/8"-14	7/8"-14	M22X1.5	12.29	12.29	12.00	36.50	36.50	43.00	22	27
DAJCMT52Q-1026	7/8"-14	7/8"-14	M26X1.5	12.29	12.29	15.00	40.00	40.00	52.00	27	32
DAJCMT52Q-1222	1-1/16"-12	1-1/16"-12	M22X1.5	15.47	15.47	14.00	42.00	42.00	45.50	27	27
DAJCMT52Q-1226	1-1/16"-12	1-1/16"-12	M26X1.5	15.47	15.47	15.00	42.00	42.00	51.50	27	32
DAJCMT52Q-1227	1-1/16"-12	1-1/16"-12	M27X2	15.47	15.47	15.00	42.00	42.00	51.50	27	32
DAJCMT52Q-1627	1-5/16"-12	1-5/16"-12	M27X2	21.44	21.44	15.00	46.00	46.00	55.00	33	32
DAJCMT52Q-1633	1-5/16"-12	1-5/16"-12	M33X2	21.44	21.44	20.00	46.00	46.00	55.00	33	41
DAJCMT52Q-2042	1-5/8"-12	1-5/8"-12	M42X2	27.38	27.38	26.00	52.00	52.00	60.00	41	50
DAJCMT52Q-2448	1-7/8"-12	1-7/8"-12	M48X2	33.32	33.32	32.00	59.00	59.00	67.00	48	55

# DAJCMT525

Branch Adjustable Tee JIC Male – Metric Male + O Ring

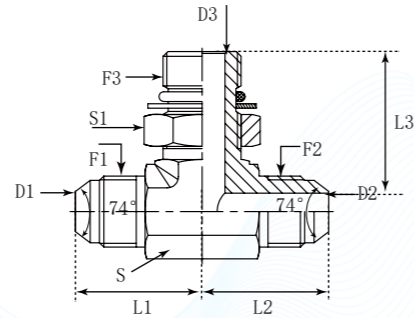
<b>D</b>	<b>A</b>	<b>JC</b>	<b>M</b>	<b>T</b>	<b>52</b>	<b>5</b>
Company	Product Range	Thread Types	Connection Type	Adaptor Structure	Thread Types	Connection Type
<b>DME</b>	Adaptor	JIC UNF	Male	Branch Tee	Metric	Male + O Ring

German Technology Equipment

**SHIELD FLEX**

New-Standard

- DME&JDE Code:** DAJCMT525
- Product Type:** Hydraulic adaptor
- Standard:** JIC and SAE-ORB
- Structure:** Branch
- Connection Type:** Adjustable Male x Male
- Thread Types:** UNF x Metric
- Sealing Method:** O Ring



PART NUMBER	F1 (Thread)	F2 (Thread)	F3 (Thread)	D1	D2	D3	L1	L2	L3	S	S1
#	UNF	UNF	METRIC	mm	mm	mm	mm	mm	mm	mm	mm
DAJCMT525-0410	7/16"-20	7/16"-20	M10X1	4.37	4.37	4.00	22.50	22.50	27.50	11	14
DAJCMT525-0412	7/16"-20	7/16"-20	M12X1.5	4.37	4.37	5.00	27.00	27.00	31.50	14	17
DAJCMT525-0414	7/16"-20	7/16"-20	M14X1.5	4.37	4.37	6.00	27.00	27.00	32.50	14	19
DAJCMT525-0510	1/2"-20	1/2"-20	M10X1	5.94	5.94	4.00	27.00	27.00	28.50	14	14
DAJCMT525-0512	1/2"-20	1/2"-20	M12X1.5	5.94	5.94	4.00	27.00	27.00	31.50	14	17
DAJCMT525-0514	1/2"-20	1/2"-20	M14X1.5	5.94	5.94	6.00	27.00	27.00	32.50	14	19
DAJCMT525-0612	9/16"-18	9/16"-18	M12X1.5	7.54	7.54	4.00	27.00	27.00	31.50	14	17
DAJCMT525-0614	9/16"-18	9/16"-18	M14X1.5	7.54	7.54	6.00	27.00	27.00	32.50	14	19
DAJCMT525-0616	9/16"-18	9/16"-18	M16X1.5	7.54	7.54	7.00	28.50	28.50	36.50	19	22
DAJCMT525-0618	9/16"-18	9/16"-18	M18X1.5	7.54	7.54	9.00	29.00	29.00	39.50	19	24
DAJCMT525-0816	3/4"-16	3/4"-16	M16X1.5	9.93	9.93	9.00	31.50	31.50	36.50	19	22
DAJCMT525-0818	3/4"-16	3/4"-16	M18X1.5	9.93	9.93	9.00	31.50	31.50	37.60	19	24
DAJCMT525-0822	3/4"-16	3/4"-16	M22X1.5	9.93	9.93	12.00	33.80	33.80	43.00	22	27
DAJCMT525-1018	7/8"-14	7/8"-14	M18X1.5	12.29	12.29	9.00	36.50	36.50	41.50	22	24
DAJCMT525-1022	7/8"-14	7/8"-14	M22X1.5	12.29	12.29	12.00	36.50	36.50	43.00	22	27
DAJCMT525-1026	7/8"-14	7/8"-14	M26X1.5	12.29	12.29	15.00	40.00	40.00	52.00	27	32
DAJCMT525-1222	1-1/16"-12	1-1/16"-12	M22X1.5	15.47	15.47	14.00	42.00	42.00	45.50	27	27
DAJCMT525-1226	1-1/16"-12	1-1/16"-12	M26X1.5	15.47	15.47	15.00	42.00	42.00	51.50	27	32
DAJCMT525-1227	1-1/16"-12	1-1/16"-12	M27X2	15.47	15.47	15.00	42.00	42.00	51.50	27	32
DAJCMT525-1627	1-5/16"-12	1-5/16"-12	M27X2	21.44	21.44	15.00	46.00	46.00	55.00	33	32
DAJCMT525-1633	1-5/16"-12	1-5/16"-12	M33X2	21.44	21.44	20.00	46.00	46.00	55.00	33	41
DAJCMT525-2042	1-5/8"-12	1-5/8"-12	M42X2	27.38	27.38	26.00	52.00	52.00	60.00	41	50
DAJCMT525-2448	1-7/8"-12	1-7/8"-12	M48X2	33.32	33.32	32.00	59.00	59.00	67.00	48	55

# DAJCMT28M

Branch Tee Connector JIC Male – NPTF Male

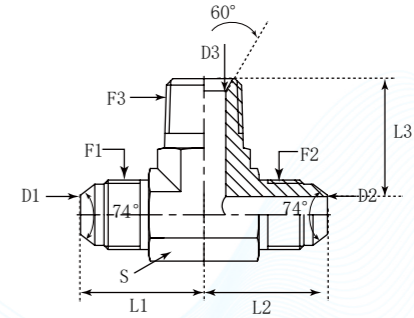
<b>D</b>	<b>A</b>	<b>JC</b>	<b>M</b>	<b>T</b>	<b>28</b>	<b>M</b>
Company	Product Range	Thread Types	Connection Type	Adaptor Structure	Thread Types	Connection Type
<b>DME</b>	Adaptor	JIC UNF	Male	Branch Tee	NPTF	Male

German Technology Equipment

**SHIELD FLEX**

New-Standard

- DME&JDE Code:** DAJCMT28M
- Product Type:** Hydraulic adaptor
- Standard:** JIC and SAE-ORB
- Structure:** Branch Tee
- Adaptor Connection Type:** Male x Male x Male
- Thread Types:** UNF x UNF x NPTF



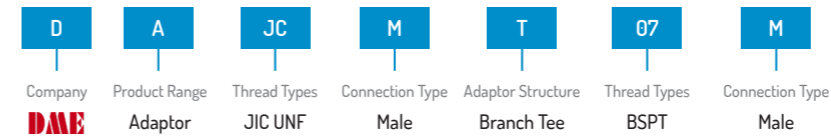
PART NUMBER	F1(Thread)	F2 (Thread)	F3 (Thread)	D1	D2	D3	L1	L2	L3	S	Hex
#	UNF	UNF	NPTF	mm	mm	mm	mm	mm	mm	-	-
DAJCMT28M-0202	5/16"-24	5/16"-24	1/8"-27	1.57	1.57	4.78	19.56	19.56	18.29	11 mm	Metric
DAJCMT28M-0202IN	5/16"-24	5/16"-24	1/8"-27	1.57	1.57	4.78	19.56	19.56	18.29	7/16"	Imperial
DAJCMT28M-0302	3/8"-24	3/8"-24	1/8"-27	3.18	3.18	4.78	21.10	21.10	18.30	11 mm	Metric
DAJCMT28M-0302IN	3/8"-24	3/8"-24	1/8"-27	3.18	3.18	4.78	21.10	21.10	18.30	7/16"	Imperial
DAJCMT28M-0402	7/16"-20	7/16"-20	1/8"-27	4.37	4.37	4.78	22.60	22.60	19.80	11 mm	Metric
DAJCMT28M-0404	7/16"-20	7/16"-20	1/4"-18	4.37	4.37	7.14	26.70	26.70	27.70	14 mm	Metric
DAJCMT28M-0406	7/16"-20	7/16"-20	3/8"-18	4.37	4.37	10.31	28.50	28.50	31.00	19 mm	Metric
DAJCMT28M-0402IN	7/16"-20	7/16"-20	1/8"-27	4.37	4.37	4.78	22.60	22.60	19.80	7/16"	Imperial
DAJCMT28M-0404IN	7/16"-20	7/16"-20	1/4"-18	4.37	4.37	7.14	26.70	26.70	27.70	9/16"	Imperial
DAJCMT28M-0406IN	7/16"-20	7/16"-20	3/8"-18	4.37	4.37	10.31	28.50	28.50	31.00	3/4"	Imperial
DAJCMT28M-0502	1/2"-20	1/2"-20	1/8"-27	5.94	5.94	4.78	24.10	24.10	19.80	14 mm	Metric
DAJCMT28M-0504	1/2"-20	1/2"-20	1/4"-18	5.94	5.94	7.14	26.70	26.70	27.70	14 mm	Metric
DAJCMT28M-0506	1/2"-20	1/2"-20	3/8"-18	5.94	5.94	10.31	28.50	28.50	31.00	19 mm	Metric
DAJCMT28M-0502IN	1/2"-20	1/2"-20	1/8"-27	5.94	5.94	4.78	24.10	24.10	19.80	9/16"	Imperial
DAJCMT28M-0504IN	1/2"-20	1/2"-20	1/4"-18	5.94	5.94	7.14	26.70	26.70	27.70	9/16"	Imperial
DAJCMT28M-0506IN	1/2"-20	1/2"-20	3/8"-18	5.94	5.94	10.31	28.50	28.50	31.00	3/4"	Imperial
DAJCMT28M-0602	9/16"-18	9/16"-18	1/8"-27	7.54	7.54	4.78	26.90	26.90	22.90	14 mm	Metric
DAJCMT28M-0604	9/16"-18	9/16"-18	1/4"-18	7.54	7.54	7.14	26.90	26.90	27.70	14 mm	Metric
DAJCMT28M-0606	9/16"-18	9/16"-18	3/8"-18	7.54	7.54	10.31	29.00	29.00	31.00	19 mm	Metric
DAJCMT28M-0608	9/16"-18	9/16"-18	1/2"-14	7.54	7.54	13.49	31.00	31.00	37.30	22 mm	Metric
DAJCMT28M-0602IN	9/16"-18	9/16"-18	1/8"-27	7.54	7.54	4.78	26.90	26.90	22.90	9/16"	Imperial
DAJCMT28M-0604IN	9/16"-18	9/16"-18	1/4"-18	7.54	7.54	7.14	26.90	26.90	27.70	9/16"	Imperial



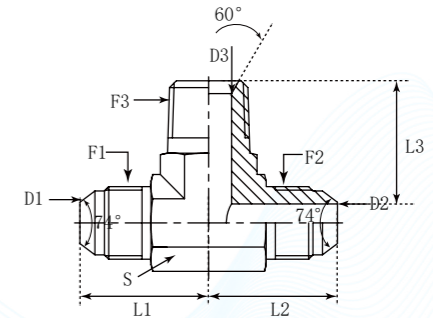
DAJCMT28M-0606IN	9/16"-18	9/16"-18	3/8"-18	7.54	7.54	10.31	29.00	29.00	31.00	3/4"	Imperial
DAJCMT28M-0608IN	9/16"-18	9/16"-18	1/2"-14	7.54	7.54	13.49	31.00	31.00	37.30	7/8"	Imperial
DAJCMT28M-0804	3/4"-16	3/4"-16	1/4"-18	9.93	9.93	7.14	31.80	31.80	31.00	19 mm	Metric
DAJCMT28M-0806	3/4"-16	3/4"-16	3/8"-18	9.93	9.93	10.31	31.80	31.80	31.00	19 mm	Metric
DAJCMT28M-0808	3/4"-16	3/4"-16	1/2"-14	9.93	9.93	13.49	33.80	33.80	37.30	22 mm	Metric
DAJCMT28M-0812	3/4"-16	3/4"-16	3/4"-14	9.93	9.93	18.26	36.10	36.10	40.40	27 mm	Metric
DAJCMT28M-0804IN	3/4"-16	3/4"-16	1/4"-18	9.93	9.93	7.14	31.80	31.80	31.00	3/4"	Imperial
DAJCMT28M-0806IN	3/4"-16	3/4"-16	3/8"-18	9.93	9.93	10.31	31.80	31.80	31.00	3/4"	Imperial
DAJCMT28M-0808IN	3/4"-16	3/4"-16	1/2"-14	9.93	9.93	13.49	33.80	33.80	37.30	7/8"	Imperial
DAJCMT28M-0812IN	3/4"-16	3/4"-16	3/4"-14	9.93	9.93	18.26	36.10	36.10	40.40	1-1/16"	Imperial
DAJCMT28M-1006	7/8"-14	7/8"-14	3/8"-18	12.29	12.29	10.31	36.80	36.80	32.50	22 mm	Metric
DAJCMT28M-1008	7/8"-14	7/8"-14	1/2"-14	12.29	12.29	13.49	36.80	36.80	37.30	22 mm	Metric
DAJCMT28M-1012	7/8"-14	7/8"-14	3/4"-14	12.29	12.29	18.26	39.10	39.10	40.40	27 mm	Metric
DAJCMT28M-1006IN	7/8"-14	7/8"-14	3/8"-18	12.29	12.29	10.31	36.80	36.80	32.50	7/8"	Imperial
DAJCMT28M-1008IN	7/8"-14	7/8"-14	1/2"-14	12.29	12.29	13.49	36.80	36.80	37.30	7/8"	Imperial
DAJCMT28M-1012IN	7/8"-14	7/8"-14	3/4"-14	12.29	12.29	18.26	39.10	39.10	40.40	1-1/16"	Imperial
DAJCMT28M-1208	1-1/16"-12	1-1/16"-12	1/2"-14	15.47	15.47	13.49	42.20	42.20	40.40	27 mm	Metric
DAJCMT28M-1212	1-1/16"-12	1-1/16"-12	3/4"-14	15.47	15.47	18.26	42.20	42.20	40.40	27 mm	Metric
DAJCMT28M-1208IN	1-1/16"-12	1-1/16"-12	1/2"-14	15.47	15.47	13.49	42.20	42.20	40.40	1-1/16"	Imperial
DAJCMT28M-1212IN	1-1/16"-12	1-1/16"-12	3/4"-14	15.47	15.47	18.26	42.20	42.20	40.40	1-1/16"	Imperial
DAJCMT28M-1408	1-3/16"-12	1-3/16"-12	1/2"-14	18.26	18.26	13.49	45.70	45.70	42.90	33 mm	Metric
DAJCMT28M-1412	1-3/16"-12	1-3/16"-12	3/4"-14	18.26	18.26	18.26	45.70	45.70	42.90	33 mm	Metric
DAJCMT28M-1416	1-3/16"-12	1-3/16"-12	1"-11-1/2	18.26	18.26	23.83	45.70	45.70	50.00	33 mm	Metric
DAJCMT28M-1408IN	1-3/16"-12	1-3/16"-12	1/2"-14	18.26	18.26	13.49	45.70	45.70	42.90	1-5/16"	Imperial
DAJCMT28M-1412IN	1-3/16"-12	1-3/16"-12	3/4"-14	18.26	18.26	18.26	45.70	45.70	42.90	1-5/16"	Imperial
DAJCMT28M-1416IN	1-3/16"-12	1-3/16"-12	1"-11-1/2	18.26	18.26	23.83	45.70	45.70	50.00	1-5/16"	Imperial
DAJCMT28M-1612	1-5/16"-12	1-5/16"-12	3/4"-14	21.44	21.44	18.26	46.00	46.00	45.20	33 mm	Metric
DAJCMT28M-1616	1-5/16"-12	1-5/16"-12	1"-11-1/2	21.44	21.44	23.83	46.00	46.00	50.00	33 mm	Metric
DAJCMT28M-1612IN	1-5/16"-12	1-5/16"-12	3/4"-14	21.44	21.44	18.26	46.00	46.00	45.20	1-5/16"	Imperial
DAJCMT28M-1616IN	1-5/16"-12	1-5/16"-12	1"-11-1/2	21.44	21.44	23.83	46.00	46.00	50.00	1-5/16"	Imperial
DAJCMT28M-2016	1-5/8"-12	1-5/8"-12	1"-11-1/2	27.38	27.38	23.83	52.30	52.30	59.70	41 mm	Metric
DAJCMT28M-2020	1-5/8"-12	1-5/8"-12	1-1/4"-11-1/2	27.38	27.38	31.75	52.30	52.30	60.50	41 mm	Metric
DAJCMT28M-2016IN	1-5/8"-12	1-5/8"-12	1"-11-1/2	27.38	27.38	23.83	52.30	52.30	59.70	1-5/8"	Imperial
DAJCMT28M-2020IN	1-5/8"-12	1-5/8"-12	1-1/4"-11-1/2	27.38	27.38	31.75	52.30	52.30	60.50	1-5/8"	Imperial
DAJCMT28M-2424	1-7/8"-12	1-7/8"-12	1-1/2"-11-1/2	33.32	33.32	38.10	59.20	59.20	67.10	48 mm	Metric
DAJCMT28M-2424IN	1-7/8"-12	1-7/8"-12	1-1/2"-11-1/2	33.32	33.32	38.10	59.20	59.20	67.10	1-7/8"	Imperial
DAJCMT28M-3232	2-1/2"-12	2-1/2"-12	2"-11-1/2	45.24	45.24	49.23	77.70	77.70	76.20	65 mm	Metric
DAJCMT28M-3232IN	2-1/2"-12	2-1/2"-12	2"-11-1/2	45.24	45.24	49.23	77.70	77.70	76.20	2-1/2"	Imperial

## DAJCMT07M

Branch Tee Connector JIC Male – BSPT Male



- DME&JDE Code:** DAJCMT07M
- Product Type:** Hydraulic adaptor
- Standard:** JIC and SAE-ORB
- Structure:** Branch Tee
- Connection Type:** Male x Male x Male
- Thread Types:** UNF x UNF x NPTF

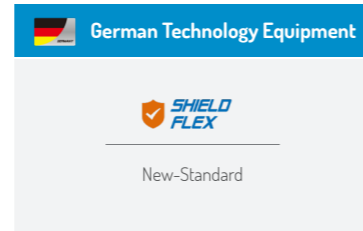
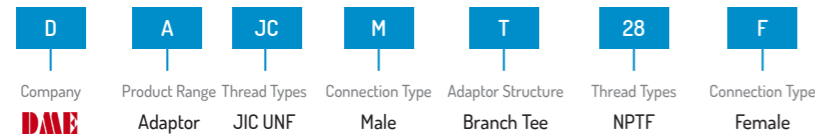


PART NUMBER	F1 (Thread)	F2 (Thread)	F3 (Thread)	D1	D2	D3	L1	L2	L3	S
#	UNF	UNF	BSPT	mm	mm	mm	mm	mm	mm	mm
DAJCMT07M-0402	7/16"-20	7/16"-20	1/8"-28	4.37	4.37	4.50	22.60	22.60	19.80	11
DAJCMT07M-0404	7/16"-20	7/16"-20	1/4"-19	4.37	4.37	6.00	26.70	26.70	27.70	14
DAJCMT07M-0406	7/16"-20	7/16"-20	3/8"-19	4.37	4.37	9.00	28.50	28.50	31.00	19
DAJCMT07M-0502	1/2"-20	1/2"-20	1/8"-28	5.94	5.94	4.50	24.10	24.10	19.80	14
DAJCMT07M-0504	1/2"-20	1/2"-20	1/4"-19	5.94	5.94	6.00	26.70	26.70	27.70	14
DAJCMT07M-0602	9/16"-18	9/16"-18	1/8"-28	7.54	7.54	4.50	26.90	26.90	22.90	14
DAJCMT07M-0604	9/16"-18	9/16"-18	1/4"-19	7.54	7.54	6.00	26.90	26.90	27.70	14
DAJCMT07M-0606	9/16"-18	9/16"-18	3/8"-19	7.54	7.54	9.00	29.00	29.00	31.00	19
DAJCMT07M-0608	9/16"-18	9/16"-18	1/2"-14	7.54	7.54	12.00	31.00	31.00	37.30	22
DAJCMT07M-0806	3/4"-16	3/4"-16	3/8"-19	9.93	9.93	9.00	31.80	31.80	31.00	19
DAJCMT07M-0808	3/4"-16	3/4"-16	1/2"-14	9.93	9.93	12.00	36.80	36.80	37.30	22
DAJCMT07M-0812	3/4"-16	3/4"-16	3/4"-14	9.93	9.93	16.70	36.10	36.10	40.40	27
DAJCMT07M-0816	3/4"-16	3/4"-16	1"-11	9.93	9.93	22.20	38.80	38.80	50.00	33
DAJCMT07M-1006	7/8"-14	7/8"-14	3/8"-19	12.29	12.29	9.00	36.80	36.80	32.50	22
DAJCMT07M-1008	7/8"-14	7/8"-14	1/2"-14	12.29	12.29	12.00	36.80	36.80	37.30	22
DAJCMT07M-1012	7/8"-14	7/8"-14	3/4"-14	12.29	12.29	16.70	39.12	39.12	40.39	27
DAJCMT07M-1016	7/8"-14	7/8"-14	1"-11	12.29	12.29	22.20	41.70	41.70	50.00	33
DAJCMT07M-1208	1-1/16"-12	1-1/16"-12	1/2"-14	15.47	15.47	12.00	42.20	42.20	40.40	27
DAJCMT07M-1212	1-1/16"-12	1-1/16"-12	3/4"-14	15.47	15.47	16.70	42.20	42.20	40.40	27
DAJCMT07M-1220	1-1/16"-12	1-1/16"-12	1-1/4"-11	15.47	15.47	28.60	50.00	50.00	60.50	41
DAJCMT07M-1608	1-5/16"-12	1-5/16"-12	1/2"-14	21.44	21.44	12.00	46.00	46.00	45.00	33
DAJCMT07M-1612	1-5/16"-12	1-5/16"-12	3/4"-14	21.44	21.44	16.70	46.00	46.00	45.20	33
DAJCMT07M-1616	1-5/16"-12	1-5/16"-12	1"-11	21.44	21.44	22.20	46.00	46.00	50.00	33
DAJCMT07M-1620	1-5/16"-12	1-5/16"-12	1-1/4"-11	21.44	21.44	28.60	51.10	51.10	60.50	41
DAJCMT07M-2016	1-5/8"-12	1-5/8"-12	1"-11	27.38	27.38	22.20	52.30	52.30	59.70	41
DAJCMT07M-2020	1-5/8"-12	1-5/8"-12	1-1/4"-11	27.38	27.38	28.60	52.30	52.30	60.50	41
DAJCMT07M-2024	1-5/8"-12	1-5/8"-12	1-1/2"-11	27.38	27.38	33.30	56.00	56.00	67.10	48
DAJCMT07M-2424	1-7/8"-12	1-7/8"-12	1-1/2"-11	33.32	33.32	33.30	59.20	59.20	67.10	48
DAJCMT07M-3224	2-1/2"-12	2-1/2"-12	-1/2"-11	45.24	45.24	33.30	77.70	77.70	75.40	63.5
DAJCMT07M-3232	2-1/2"-12	2-1/2"-12	2"-11	45.24	45.24	45.00	77.70	77.70	76.20	65



# DAJCMT28F

Branch Tee Connector JIC Male – NPTF Female



DME&JDE Code: **DAJCMT28F**

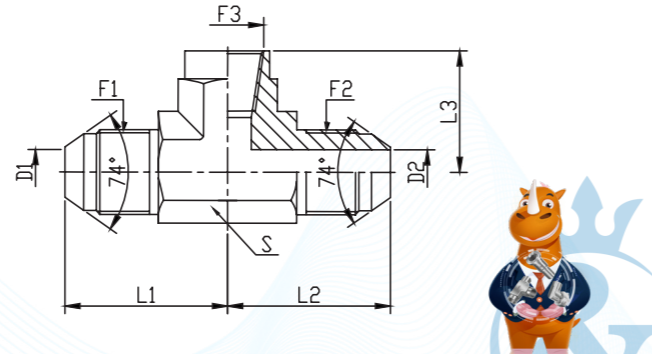
Product Type: **Hydraulic adaptor**

Standard: **JIC and SAE-ORB**

Structure: **Branch Tee**

Connection Type: **Male x Male x Female**

Thread Types: **UNF x UNF x NPTF**



PART NUMBER	F1 (Thread)	F2 (Thread)	F3 (Thread)	D1	D2	L1	L2	L3	S	Hex
#	UNF	UNF	NPTF	mm	mm	mm	mm	mm	-	-
DAJCMT28F-0202	5/16"-24	5/16"-24	1/8"-27	1.57	1.57	25.4	25.4	16.8	14 mm	Metric
DAJCMT28F-0202IN	5/16"-24	5/16"-24	1/8"-27	1.57	1.57	25.4	25.4	16.8	9/16"	Imperial
DAJCMT28F-0402	7/16"-20	7/16"-20	1/8"-27	4.37	4.37	27.40	27.40	16.80	14 mm	Metric
DAJCMT28F-0404	7/16"-20	7/16"-20	1/4"-18	4.37	4.37	31.00	31.00	22.40	19 mm	Metric
DAJCMT28F-0402IN	7/16"-20	7/16"-20	1/8"-27	4.37	4.37	27.40	27.40	16.80	9/16"	Imperial
DAJCMT28F-0404IN	7/16"-20	7/16"-20	1/4"-18	4.37	4.37	31.00	31.00	22.40	3/4"	Imperial
DAJCMT28F-0502	1/2"-20	1/2"-20	1/8"-27	5.94	5.94	27.40	27.40	16.80	14 mm	Metric
DAJCMT28F-0504	1/2"-20	1/2"-20	1/4"-18	5.94	5.94	31.00	31.00	22.40	19 mm	Metric
DAJCMT28F-0502IN	1/2"-20	1/2"-20	1/8"-27	5.94	5.94	27.40	27.40	16.80	9/16"	Imperial
DAJCMT28F-0504IN	1/2"-20	1/2"-20	1/4"-18	5.94	5.94	31.00	31.00	22.40	3/4"	Imperial
DAJCMT28F-0602	9/16"-18	9/16"-18	1/8"-27	7.54	7.54	31.20	31.20	17.00	14 mm	Metric
DAJCMT28F-0604	9/16"-18	9/16"-18	1/4"-18	7.54	7.54	31.20	31.20	22.40	19 mm	Metric
DAJCMT28F-0606	9/16"-18	9/16"-18	3/8"-18	7.54	7.54	33.30	33.30	25.90	22 mm	Metric
DAJCMT28F-0608	9/16"-18	9/16"-18	1/2"-14	7.54	7.54	35.80	35.80	31.20	27 mm	Metric
DAJCMT28F-0602IN	9/16"-18	9/16"-18	1/8"-27	7.54	7.54	31.20	31.20	17.00	9/16"	Imperial
DAJCMT28F-0604IN	9/16"-18	9/16"-18	1/4"-18	7.54	7.54	31.20	31.20	22.40	3/4"	Imperial
DAJCMT28F-0606IN	9/16"-18	9/16"-18	3/8"-18	7.54	7.54	33.30	33.30	25.90	7/8"	Imperial
DAJCMT28F-0608IN	9/16"-18	9/16"-18	1/2"-14	7.54	7.54	35.80	35.80	31.20	1-1/16"	Imperial



DAJCMT28F-0804	3/4"-16	3/4"-16	1/4"-18	9.93	9.93	36.10	36.10	25.90	22 mm	Metric
DAJCMT28F-0806	3/4"-16	3/4"-16	3/8"-18	9.93	9.93	36.10	36.10	25.90	22 mm	Metric
DAJCMT28F-0808	3/4"-16	3/4"-16	1/2"-14	9.93	9.93	38.60	38.60	31.20	27 mm	Metric
DAJCMT28F-0812	3/4"-16	3/4"-16	3/4"-14	9.93	9.93	41.90	41.90	34.50	33 mm	Metric
DAJCMT28F-0804IN	3/4"-16	3/4"-16	1/4"-18	9.93	9.93	36.10	36.10	25.90	7/8"	Imperial
DAJCMT28F-0806IN	3/4"-16	3/4"-16	3/8"-18	9.93	9.93	36.10	36.10	25.90	7/8"	Imperial
DAJCMT28F-0808IN	3/4"-16	3/4"-16	1/2"-14	9.93	9.93	38.60	38.60	31.20	1-1/16"	Imperial
DAJCMT28F-0812IN	3/4"-16	3/4"-16	3/4"-14	9.93	9.93	41.90	41.90	34.50	1-5/16"	Imperial
DAJCMT28F-1008	7/8"-14	7/8"-14	1/2"-14	12.29	12.29	41.70	41.70	31.20	27 mm	Metric
DAJCMT28F-1012	7/8"-14	7/8"-14	3/4"-14	12.29	12.29	44.80	44.80	34.50	33 mm	Metric
DAJCMT28F-1008IN	7/8"-14	7/8"-14	1/2"-14	12.29	12.29	41.70	41.70	31.20	1-1/16"	Imperial
DAJCMT28F-1012IN	7/8"-14	7/8"-14	3/4"-14	12.29	12.29	44.80	44.80	34.50	1-5/16"	Imperial
DAJCMT28F-1208	1-1/16"-12	1-1/16"-12	1/2"-14	15.47	15.47	42.20	42.20	31.20	27 mm	Metric
DAJCMT28F-1212	1-1/16"-12	1-1/16"-12	3/4"-14	15.47	15.47	48.00	48.00	34.50	33 mm	Metric
DAJCMT28F-1216	1-1/16"-12	1-1/16"-12	1"-11-1/2	15.47	15.47	53.90	53.90	41.20	41 mm	Metric
DAJCMT28F-1208IN	1-1/16"-12	1-1/16"-12	1/2"-14	15.47	15.47	42.20	42.20	31.20	1-1/16"	Imperial
DAJCMT28F-1212IN	1-1/16"-12	1-1/16"-12	3/4"-14	15.47	15.47	48.00	48.00	34.50	1-5/16"	Imperial
DAJCMT28F-1216IN	1-1/16"-12	1-1/16"-12	1"-11-1/2	15.47	15.47	53.90	53.90	41.20	1-5/8"	Imperial
DAJCMT28F-1412	1-3/16"-12	1-3/16"-12	3/4"-14	18.26	18.26	47.20	47.20	36.00	33 mm	Metric
DAJCMT28F-1412IN	1-3/16"-12	1-3/16"-12	3/4"-14	18.26	18.26	47.20	47.20	36.00	1-5/16"	Imperial
DAJCMT28F-1612	1-5/16"-12	1-5/16"-12	3/4"-14	21.44	21.44	55.10	55.10	35.40	33 mm	Metric
DAJCMT28F-1616	1-5/16"-12	1-5/16"-12	1"-11-1/2	21.44	21.44	55.10	55.10	41.20	41 mm	Metric
DAJCMT28F-1612IN	1-5/16"-12	1-5/16"-12	3/4"-14	21.44	21.44	55.10	55.10	35.40	1-5/16"	Imperial
DAJCMT28F-1616IN	1-5/16"-12	1-5/16"-12	1"-11-1/2	21.44	21.44	55.10	55.10	41.20	1-5/8"	Imperial
DAJCMT28F-2020	1-5/8"-12	1-5/8"-12	1-1/4"-11-1/2	27.38	27.38	59.20	59.20	43.20	48 mm	Metric
DAJCMT28F-2020IN	1-5/8"-12	1-5/8"-12	1-1/4"-11-1/2	27.38	27.38	59.20	59.20	43.20	1-7/8"	Imperial
DAJCMT28F-2424	1-7/8"-12	1-7/8"-12	1-1/2"-11-1/2	33.32	33.32	73.10	73.10	52.80	65 mm	Metric
DAJCMT28F-2424IN	1-7/8"-12	1-7/8"-12	1-1/2"-11-1/2	33.32	33.32	73.10	73.10	52.80	2-9/16"	Imperial
DAJCMT28F-3232	2-1/2"-12	2-1/2"-12	2"-11-1/2	45.24	45.24	83.80	83.80	60.70	70 mm	Metric
DAJCMT28F-3232IN	2-1/2"-12	2-1/2"-12	2"-11-1/2	45.24	45.24	83.80	83.80	60.70	2-13/16"	Imperial



## DAJCMT05F

Branch Tee Connector JIC Male – BSPP Fixed Female

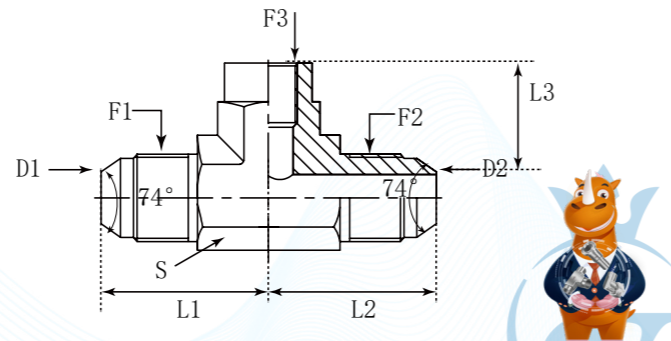
<b>D</b>	<b>A</b>	<b>JC</b>	<b>M</b>	<b>T</b>	<b>05</b>	<b>F</b>
Company	Product Range	Thread Types	Connection Type	Adaptor Structure	Thread Types	Connection Type
<b>DME</b>	Adaptor	JIC UNF	Male	Branch Tee	BSPP	Female

German Technology Equipment

**SHIELD FLEX**

New-Standard

- DME&JDE Code: **DAJCMT05F**
- Product Type: **Hydraulic adaptor**
- Standard: **JIC and SAE-ORB**
- Structure: **Branch Tee**
- Connection Type: **Male x Male x Fixed Female**
- Thread Types: **UNF x UNF x BSPP**



PART NUMBER	F1 (Thread)	F2 (Thread)	F3 (Thread)	D1	D2	L1	L2	L3	S
#	UNF	UNF	BSPP	mm	mm	mm	mm	mm	mm
DAJCMT05F-0402	7/16"-20	7/16"-20	1/8"-28	4.37	4.37	27.40	27.40	16.80	14
DAJCMT05F-0404	7/16"-20	7/16"-20	1/4"-19	4.37	4.37	31.00	31.00	22.40	19
DAJCMT05F-0502	1/2"-20	1/2"-20	1/8"-28	5.94	5.94	27.40	27.40	16.80	14
DAJCMT05F-0504	1/2"-20	1/2"-20	1/4"-19	5.94	5.94	31.00	31.00	22.40	19
DAJCMT05F-0602	9/16"-18	9/16"-18	1/8"-28	7.54	7.54	31.20	31.20	17.00	14
DAJCMT05F-0604	9/16"-18	9/16"-18	1/4"-19	7.54	7.54	31.20	31.20	22.40	19
DAJCMT05F-0606	9/16"-18	9/16"-18	3/8"-19	7.54	7.54	33.30	33.30	25.90	22
DAJCMT05F-0608	9/16"-18	9/16"-18	1/2"-14	7.54	7.54	35.80	35.80	31.20	27
DAJCMT05F-0804	3/4"-16	3/4"-16	1/4"-19	9.93	9.93	36.10	36.10	25.70	19
DAJCMT05F-0806	3/4"-16	3/4"-16	3/8"-19	9.93	9.93	36.10	36.10	25.90	22
DAJCMT05F-0808	3/4"-16	3/4"-16	1/2"-14	9.93	9.93	38.60	38.60	31.20	27
DAJCMT05F-0812	3/4"-16	3/4"-16	3/4"-14	9.93	9.93	41.90	41.90	34.50	33
DAJCMT05F-1008	7/8"-14	7/8"-14	1/2"-14	12.29	12.29	41.70	41.70	31.20	27
DAJCMT05F-1208	1-1/16"-12	1-1/16"-12	1/2"-14	15.47	15.47	48.00	48.00	34.30	27
DAJCMT05F-1212	1-1/16"-12	1-1/16"-12	3/4"-14	15.47	15.47	48.00	48.00	34.50	33
DAJCMT05F-1612	1-5/16"-12	1-5/16"-12	3/4"-14	21.44	21.44	55.10	55.10	35.30	33
DAJCMT05F-1616	1-5/16"-12	1-5/16"-12	1"-11	21.44	21.44	55.10	55.10	41.20	41
DAJCMT05F-2016	1-5/8"-12	1-5/8"-12	1"-11	27.38	27.38	52.30	52.30	42.00	41
DAJCMT05F-2020	1-5/8"-12	1-5/8"-12	1-1/4"-11	27.38	27.38	59.20	59.20	43.20	48
DAJCMT05F-2420	1-7/8"-12	1-7/8"-12	1-1/4"-11	33.32	33.32	59.20	59.20	43.00	48
DAJCMT05F-2424	1-7/8"-12	1-7/8"-12	1-1/2"-11	33.32	33.32	73.40	73.40	52.80	65
DAJCMT05F-3232	2-1/2"-12	2-1/2"-12	2"-11	45.24	45.24	83.80	83.80	60.70	70

## DAJCMT25T

Branch Bulkhead Tee Connector JIC Male – JIC Male

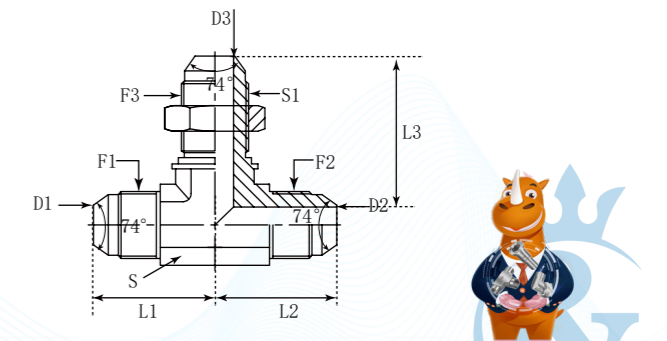
<b>D</b>	<b>A</b>	<b>JC</b>	<b>M</b>	<b>T</b>	<b>25</b>	<b>T</b>
Company	Product Range	Thread Types	Connection Type	Adaptor Structure	Thread Types	Connection Type
<b>DME</b>	Adaptor	JIC UNF	Male	Branch Tee	Metric	Bulkhead Male

German Technology Equipment

**SHIELD FLEX**

New-Standard

- DME&JDE Code: **DAJCMT25T**
- Product Type: **Hydraulic adaptor**
- Standard: **JIC and SAE-ORB**
- Structure: **Branch Tee**
- Connection Type: **Male x Male x Male**
- Thread Types: **UNF x UNF x UNF**
- Other Features: **Bulkhead**



PART NUMBER	F1 (Thread)	F2 (Thread)	F3 (Thread)	L1	L2	L3	D1	D2	D3	S	S1	Hex
#	UNF	UNF	UNF	mm	mm	mm	mm	mm	mm	-	-	-
DAJCMT25T-0303	3/8"-24	3/8"-24	3/8"-24	23.88	23.88	38.10	3.18	3.18	3.18	11 mm	16 mm	Metric
DAJCMT25T-0303IN	3/8"-24	3/8"-24	3/8"-24	23.88	23.88	38.10	3.18	3.18	3.18	7/16"	9/16"	Imperial
DAJCMT25T-0404	7/16"-20	7/16"-20	7/16"-20	24.60	24.60	40.40	4.37	4.37	4.37	11 mm	17 mm	Metric
DAJCMT25T-0404IN	7/16"-20	7/16"-20	7/16"-20	24.60	24.60	40.40	4.37	4.37	4.37	7/16"	11/16"	Imperial
DAJCMT25T-0505	1/2"-20	1/2"-20	1/2"-20	26.90	26.90	43.70	5.94	5.94	5.94	14 mm	19 mm	Metric
DAJCMT25T-0505IN	1/2"-20	1/2"-20	1/2"-20	26.90	26.90	43.70	5.94	5.94	5.94	9/16"	3/4"	Imperial
DAJCMT25T-0606	9/16"-18	9/16"-18	9/16"-18	27.70	27.70	46.00	7.54	7.54	7.54	14 mm	22 mm	Metric
DAJCMT25T-0606IN	9/16"-18	9/16"-18	9/16"-18	27.70	27.70	46.00	7.54	7.54	7.54	9/16"	13/16"	Imperial
DAJCMT25T-0808	3/4"-16	3/4"-16	3/4"-16	34.50	34.50	53.60	9.93	9.93	9.93	19 mm	24 mm	Metric
DAJCMT25T-0808IN	3/4"-16	3/4"-16	3/4"-16	34.50	34.50	53.60	9.93	9.93	9.93	3/4"	1"	Imperial
DAJCMT25T-1010	7/8"-14	7/8"-14	7/8"-14	39.60	39.60	60.70	12.29	12.29	12.29	22 mm	30 mm	Metric
DAJCMT25T-1010IN	7/8"-14	7/8"-14	7/8"-14	39.60	39.60	60.70	12.29	12.29	12.29	7/8"	1-1/8"	Imperial
DAJCMT25T-1212	1-1/16"-12	1-1/16"-12	1-1/16"-12	45.20	45.20	67.80	15.47	15.47	15.47	27 mm	36 mm	Metric
DAJCMT25T-1212IN	1-1/16"-12	1-1/16"-12	1-1/16"-12	45.20	45.20	67.80	15.47	15.47	15.47	1-1/16"	1-3/8"	Imperial
DAJCMT25T-1414	1-3/16"-12	1-3/16"-12	1-3/16"-12	48.80	48.80	71.10	18.26	18.26	18.26	33 mm	41 mm	Metric
DAJCMT25T-1414IN	1-3/16"-12	1-3/16"-12	1-3/16"-12	48.80	48.80	71.10	18.26	18.26	18.26	1-5/16"	1-1/2"	Imperial
DAJCMT25T-1616	1-5/16"-12	1-5/16"-12	1-5/16"-12	49.30	49.30	71.10	21.44	21.44	21.44	33 mm	41 mm	Metric
DAJCMT25T-1616IN	1-5/16"-12	1-5/16"-12	1-5/16"-12	49.30	49.30	71.10	21.44	21.44	21.44	1-5/16"	1-5/8"	Imperial
DAJCMT25T-2020	1-5/8"-12	1-5/8"-12	1-5/8"-12	55.10	55.10	79.30	27.38	27.38	27.38	41 mm	50 mm	Metric
DAJCMT25T-2020IN	1-5/8"-12	1-5/8"-12	1-5/8"-12	55.10	55.10	79.30	27.38	27.38	27.38	1-5/8"	1-7/8"	Imperial
DAJCMT25T-2424	1-7/8"-12	1-7/8"-12	1-7/8"-12	59.40	59.40	86.90	33.32	33.32	33.32	48 mm	55 mm	Metric
DAJCMT25T-2424IN	1-7/8"-12	1-7/8"-12	1-7/8"-12	59.40	59.40	86.90	33.32	33.32	33.32	1-7/8"	2-1/8"	Imperial
DAJCMT25T-3232	2-1/2"-12	2-1/2"-12	2-1/2"-12	73.40	73.40	104.40	45.24	45.24	45.24	65 mm	70 mm	Metric
DAJCMT25T-3232IN	2-1/2"-12	2-1/2"-12	2-1/2"-12	73.40	73.40	104.40	45.24	45.24	45.24	2-1/2"	2-3/4"	Imperial



## DAJC1T25M

Branch Tee Connector JIC Swivel Female – JIC Male

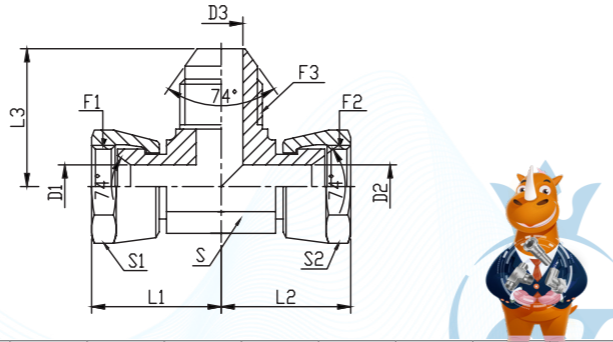
<b>D</b>	<b>A</b>	<b>JC</b>	<b>1</b>	<b>T</b>	<b>25</b>	<b>M</b>
Company	Product Range	Thread Types	Connection Type	Adaptor Structure	Thread Types	Connection Type
<b>DME</b>	Adaptor	JIC UNF	Swivel Female	Branch Tee	JIC UNF	Male

German Technology Equipment

**SHIELD FLEX**

New-Standard

- DME&JDE Code: **DAJC1T25M**
- Product Type: **Hydraulic adaptor**
- Standard: **JIC and SAE-ORB**
- Structure: **Branch Tee**
- Connection Type: **Swivel Female × Swivel Female × Male**
- Thread Types: **UNF × UNF × UNF**



PART NUMBER	F1 (Thread)	F2 (Thread)	F3 (Thread)	D1	D2	D3	L1	L2	L3	S	S1	S2	Hex
#	UNF	UNF	UNF	mm	mm	mm	mm	mm	mm	-	-	-	-
DAJC1T25M-0404	7/16"-20	7/16"-20	7/16"-20	4.37	4.37	4.37	16.66	16.66	22.61	11 mm	14 mm	14 mm	Metric
DAJC1T25M-0404IN	7/16"-20	7/16"-20	7/16"-20	4.37	4.37	4.37	16.66	16.66	22.61	7/16"	9/16"	9/16"	Imperial
DAJC1T25M-0505	1/2"-20	1/2"-20	1/2"-20	5.94	5.94	5.94	17.40	17.40	24.13	14 mm	17 mm	17 mm	Metric
DAJC1T25M-0505IN	1/2"-20	1/2"-20	1/2"-20	5.94	5.94	5.94	17.40	17.40	24.13	9/16"	5/8"	5/8"	Imperial
DAJC1T25M-0606	9/16"-18	9/16"-18	9/16"-18	7.54	7.54	7.54	22.22	22.22	26.92	14 mm	17 mm	17 mm	Metric
DAJC1T25M-0606IN	9/16"-18	9/16"-18	9/16"-18	7.54	7.54	7.54	22.22	22.22	26.92	9/16"	11/16"	11/16"	Imperial
DAJC1T25M-0808	3/4"-16	3/4"-16	3/4"-16	9.93	9.93	9.93	24.33	24.33	31.75	19 mm	22 mm	22 mm	Metric
DAJC1T25M-0808IN	3/4"-16	3/4"-16	3/4"-16	9.93	9.93	9.93	24.33	24.33	31.75	3/4"	7/8"	7/8"	Imperial
DAJC1T25M-1010	7/8"-14	7/8"-14	7/8"-14	12.29	12.29	12.29	28.45	28.45	36.83	22 mm	27 mm	27 mm	Metric
DAJC1T25M-1010IN	7/8"-14	7/8"-14	7/8"-14	12.29	12.29	12.29	28.45	28.45	36.83	7/8"	1"	1"	Imperial
DAJC1T25M-1212	1-1/16"-12	1-1/16"-12	1-1/16"-12	15.47	15.47	15.47	30.18	30.18	42.16	27 mm	32 mm	32 mm	Metric
DAJC1T25M-1212IN	1-1/16"-12	1-1/16"-12	1-1/16"-12	15.47	15.47	15.47	30.18	30.18	42.16	1-1/16"	1-1/4"	1-1/4"	Imperial
DAJC1T25M-1616	1-5/16"-12	1-5/16"-12	1-5/16"-12	21.44	21.44	21.44	35.71	35.71	45.97	33 mm	41 mm	41 mm	Metric
DAJC1T25M-1616IN	1-5/16"-12	1-5/16"-12	1-5/16"-12	21.44	21.44	21.44	35.71	35.71	45.97	1-5/16"	1-1/2"	1-1/2"	Imperial
DAJC1T25M-2020	1-5/8"-12	1-5/8"-12	1-5/8"-12	27.38	27.38	27.38	42.80	42.80	52.30	41 mm	50 mm	50 mm	Metric
DAJC1T25M-2020IN	1-5/8"-12	1-5/8"-12	1-5/8"-12	27.38	27.38	27.38	42.80	42.80	52.30	1-5/8"	2"	2"	Imperial
DAJC1T25M-2424	1-7/8"-12	1-7/8"-12	1-7/8"-12	33.32	33.32	33.32	47.14	47.14	59.18	50 mm	58 mm	58 mm	Metric
DAJC1T25M-2424IN	1-7/8"-12	1-7/8"-12	1-7/8"-12	33.32	33.32	33.32	47.14	47.14	59.18	1-7/8"	2-1/4"	2-1/4"	Imperial

## DAJC1T28M

Branch Tee Connector JIC Swivel Female – NPTF Male

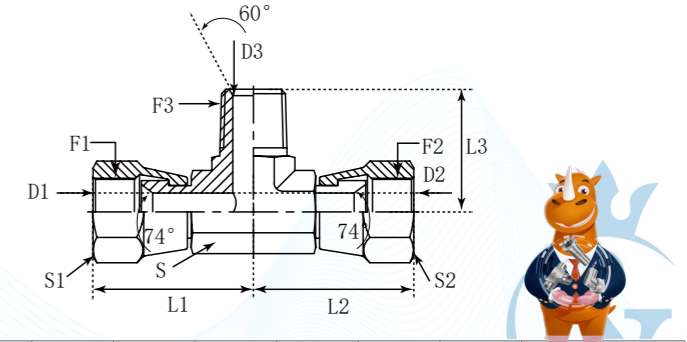
<b>D</b>	<b>A</b>	<b>JC</b>	<b>1</b>	<b>T</b>	<b>28</b>	<b>M</b>
Company	Product Range	Thread Types	Connection Type	Adaptor Structure	Thread Types	Connection Type
<b>DME</b>	Adaptor	JIC UNF	Swivel Female	Branch Tee	NPTF	Male

German Technology Equipment

**SHIELD FLEX**

New-Standard

- DME&JDE Code: **DAJC1T28M**
- Product Type: **Hydraulic adaptor**
- Standard: **JIC and SAE-ORB**
- Structure: **Branch Tee**
- Connection Type: **Swivel Female × Swivel Female × Male**
- Thread Types: **UNF × UNF × NPTF**



PART NUMBER	F1 (Thread)	F2 (Thread)	F3 (Thread)	D1	D2	D3	L1	L2	L3	S	S1	S2	Hex
#	UNF	UNF	UNF	mm	mm	mm	mm	mm	mm	-	-	-	-
DAJC1T28M-0404	7/16"-20	7/16"-20	1/4"-18	4.37	4.37	7.14	20.06	20.06	27.70	14 mm	14 mm	14 mm	Metric
DAJC1T28M-0404IN	7/16"-20	7/16"-20	1/4"-18	4.37	4.37	7.14	20.06	20.06	27.70	9/16"	9/16"	9/16"	Imperial
DAJC1T28M-0606	9/16"-18	9/16"-18	3/8"-18	7.54	7.54	10.31	22.22	22.22	31.80	19 mm	19 mm	19 mm	Metric
DAJC1T28M-0606IN	9/16"-18	9/16"-18	3/8"-18	7.54	7.54	10.31	22.22	22.22	31.80	3/4"	11/16"	11/16"	Imperial
DAJC1T28M-0808	3/4"-16	3/4"-16	1/2"-14	9.93	9.93	13.49	27.43	27.43	37.30	22 mm	22 mm	22 mm	Metric
DAJC1T28M-0808IN	3/4"-16	3/4"-16	1/2"-14	9.93	9.93	13.49	27.43	27.43	37.30	7/8"	7/8"	7/8"	Imperial
DAJC1T28M-1212	1-1/16"-12	1-1/16"-12	3/4"-14	15.47	15.47	18.26	29.97	29.97	40.40	27 mm	32 mm	32 mm	Metric
DAJC1T28M-1212IN	1-1/16"-12	1-1/16"-12	3/4"-14	15.47	15.47	18.26	29.97	29.97	40.40	1-1/8"	1-1/4"	1-1/4"	Imperial
DAJC1T28M-1616	1-5/16"-12	1-5/16"-12	1"-11-1/2	21.44	21.44	23.83	35.71	35.71	50.04	33 mm	41 mm	41 mm	Metric
DAJC1T28M-1616IN	1-5/16"-12	1-5/16"-12	1"-11-1/2	21.44	21.44	23.83	35.71	35.71	50.04	1-5/16"	1-1/2"	1-1/2"	Imperial



## DAJC1T251

Branch Tee Connector JIC Swivel Female – JIC Swivel Female

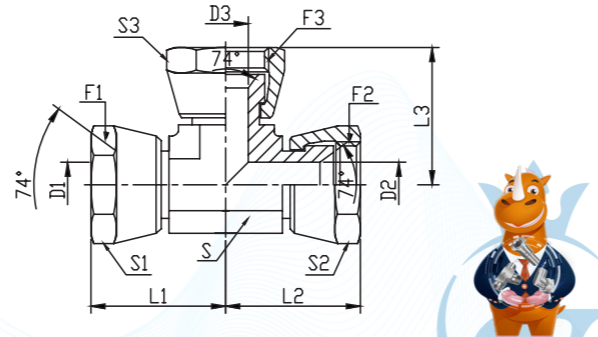
<b>D</b>	<b>A</b>	<b>JC</b>	<b>I</b>	<b>T</b>	<b>251</b>
Company	Product Range	Thread Types	Connection Type	Adaptor Structure	Connection Type
<b>DME</b>	Adaptor	JIC UNF	Swivel Female	Branch Tee	JIC Swivel Female

German Technology Equipment

**SHIELD FLEX**

New-Standard

- DME&JDE Code: **DAJC1T251**
- Product Type: **Hydraulic adaptor**
- Standard: **JIC and SAE-ORB**
- Structure: **Branch Tee**
- Connection Type: **Swivel Female x Swivel Female x Swivel Female**
- Thread Types: **UNF x UNF x UNF**



PART NUMBER	F1 (Thread)	F2 (Thread)	F3 (Thread)	D1	D2	D3	L	L2	L3	S	S1	S2	S3	Hex
#	UNF	UNF	NPTF	mm	mm	mm	mm	mm	mm	-	-	-	-	-
DAJC1T251-0404	7/16"-20	7/16"-20	7/16"-20	4.37	4.37	4.37	16.66	16.66	16.66	11 mm	14 mm	14 mm	14 mm	Metric
DAJC1T251-0404IN	7/16"-20	7/16"-20	7/16"-20	4.37	4.37	4.37	16.66	16.66	16.66	7/16"	9/16"	9/16"	9/16"	Imperial
DAJC1T251-0505	1/2"-20	1/2"-20	1/2"-20	5.94	5.94	5.94	17.40	17.40	17.40	14 mm	17 mm	17 mm	17 mm	Metric
DAJC1T251-0505IN	1/2"-20	1/2"-20	1/2"-20	5.94	5.94	5.94	17.40	17.40	17.40	9/16"	5/8"	5/8"	5/8"	Imperial
DAJC1T251-0606	9/16"-18	9/16"-18	9/16"-18	7.54	7.54	7.54	22.22	22.22	22.22	14 mm	19 mm	19 mm	19 mm	Metric
DAJC1T251-0606IN	9/16"-18	9/16"-18	9/16"-18	7.54	7.54	7.54	22.22	22.22	22.22	9/16"	11/16"	11/16"	11/16"	Imperial
DAJC1T251-0808	3/4"-16	3/4"-16	3/4"-16	9.93	9.93	9.93	24.33	24.33	24.33	19 mm	22 mm	22 mm	22 mm	Metric
DAJC1T251-0808IN	3/4"-16	3/4"-16	3/4"-16	9.93	9.93	9.93	24.33	24.33	24.33	3/4"	7/8"	7/8"	7/8"	Imperial
DAJC1T251-1010	7/8"-14	7/8"-14	7/8"-14	12.29	12.29	12.29	28.45	28.45	28.45	22 mm	27 mm	27 mm	27 mm	Metric
DAJC1T251-1010IN	7/8"-14	7/8"-14	7/8"-14	12.29	12.29	12.29	28.45	28.45	28.45	7/8"	1"	1"	1"	Imperial
DAJC1T251-1212	1-1/16"-12	1-1/16"-12	1-1/16"-12	15.47	15.47	15.47	30.18	30.18	30.18	27 mm	32 mm	32 mm	32 mm	Metric
DAJC1T251-1212IN	1-1/16"-12	1-1/16"-12	1-1/16"-12	15.47	15.47	15.47	30.18	30.18	30.18	1-1/16"	1-1/4"	1-1/4"	1-1/4"	Imperial
DAJC1T251-1616	1-5/16"-12	1-5/16"-12	1-5/16"-12	21.44	21.44	21.44	35.71	35.71	35.71	33 mm	41 mm	41 mm	41 mm	Metric
DAJC1T251-1616IN	1-5/16"-12	1-5/16"-12	1-5/16"-12	21.44	21.44	21.44	35.71	35.71	35.71	1-5/16"	1-1/2"	1-1/2"	1-1/2"	Imperial
DAJC1T251-2020	1-5/8"-12	1-5/8"-12	1-5/8"-12	27.42	27.42	27.42	42.80	42.80	42.80	41 mm	50 mm	50 mm	50 mm	Metric
DAJC1T251-2020IN	1-5/8"-12	1-5/8"-12	1-5/8"-12	27.42	27.42	27.42	42.80	42.80	42.80	1-5/8"	2"	2"	2"	Imperial



## DAJCML251

Run Tee Connector JIC Male – JIC Swivel Female

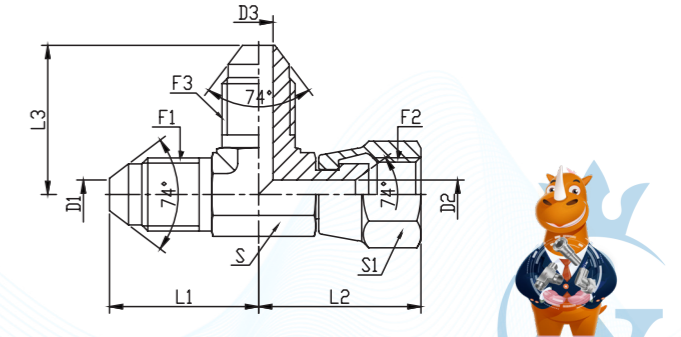
<b>D</b>	<b>A</b>	<b>JC</b>	<b>M</b>	<b>L</b>	<b>251</b>
Company	Product Range	Thread Types	Connection Type	Adaptor Structure	Connection Type
<b>DME</b>	Adaptor	JIC UNF	Male	Run Tee	JIC Swivel Female

German Technology Equipment

**SHIELD FLEX**

New-Standard

- DME&JDE Code: **DAJCML251**
- Product Type: **Hydraulic adaptor**
- Standard: **JIC and SAE-ORB**
- Structure: **Run Tee**
- Connection Type: **Male x Swivel Female**
- Thread Types: **UNF x UNF x UNF**



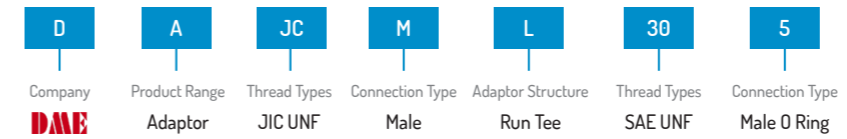
PART NUMBER	F1 (Thread)	F2 (Thread)	F3 (Thread)	L1	L2	L3	D1	D2	D3	S	S1	Hex
#	UNF	UNF	UNF	mm	mm	mm	mm	mm	mm	-	-	-
DAJCML251-0303	3/8"-24	3/8"-24	3/8"-24	21.08	17.07	21.08	3.18	3.18	3.18	11 mm	12 mm	Metric
DAJCML251-0303IN	3/8"-24	3/8"-24	3/8"-24	21.08	17.07	21.08	3.18	3.18	3.18	7/16"	1/2"	Imperial
DAJCML251-0404	7/16"-20	7/16"-20	7/16"-20	22.61	26.66	22.61	4.37	4.37	4.37	11 mm	14 mm	Metric
DAJCML251-0404IN	7/16"-20	7/16"-20	7/16"-20	22.61	26.66	22.61	4.37	4.37	4.37	7/16"	9/16"	Imperial
DAJCML251-0505	1/2"-20	1/2"-20	1/2"-20	24.10	17.40	24.10	5.94	5.94	5.94	14 mm	17 mm	Metric
DAJCML251-0505IN	1/2"-20	1/2"-20	1/2"-20	24.10	17.40	24.10	5.94	5.94	5.94	9/16"	5/8"	Imperial
DAJCML251-060604	9/16"-18	9/16"-18	7/16"-20	26.92	22.23	26.67	7.54	7.54	4.37	14 mm	19 mm	Metric
DAJCML251-0606	9/16"-18	9/16"-18	9/16"-18	26.92	22.23	26.92	7.54	7.54	7.54	14 mm	19 mm	Metric
DAJCML251-0608	9/16"-18	3/4"-16	9/16"-18	29.00	24.33	29.00	7.54	9.93	7.54	19 mm	22 mm	Metric
DAJCML251-060604IN	9/16"-18	9/16"-18	7/16"-20	26.92	22.23	26.67	7.54	7.54	4.37	9/16"	11/16"	Imperial
DAJCML251-0606IN	9/16"-18	9/16"-18	9/16"-18	26.92	22.23	26.92	7.54	7.54	7.54	9/16"	11/16"	Imperial
DAJCML251-0608IN	9/16"-18	3/4"-16	9/16"-18	29.00	24.33	29.00	7.54	9.93	7.54	3/4"	7/8"	Imperial
DAJCML251-080804	3/4"-16	3/4"-16	7/16"-20	31.75	24.33	28.45	9.93	9.93	4.37	19 mm	22 mm	Metric
DAJCML251-080806	3/4"-16	3/4"-16	9/16"-18	31.75	24.33	29.00	9.93	9.93	7.54	19 mm	22 mm	Metric
DAJCML251-0808	3/4"-16	3/4"-16	3/4"-16	31.75	24.33	31.75	9.93	9.93	9.93	19 mm	22 mm	Metric
DAJCML251-080812	3/4"-16	3/4"-16	1-1/16"-12	36.10	28.70	42.20	9.93	9.93	15.47	27 mm	22 mm	Metric
DAJCML251-0812	3/4"-16	1-1/16"-12	3/4"-16	36.10	30.20	36.10	9.93	15.47	9.93	27 mm	32 mm	Metric



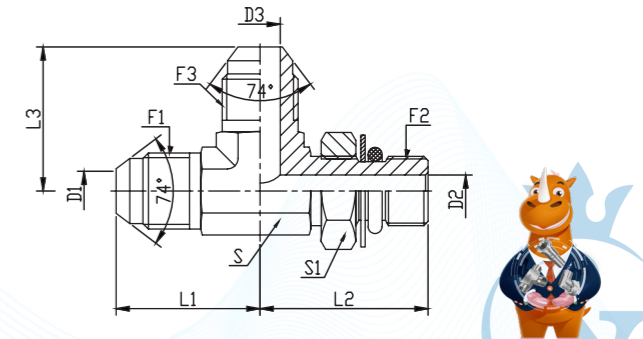
DAJCML251-080804IN	3/4"-16	3/4"-16	7/16"-20	31.75	24.33	28.45	9.93	9.93	4.37	3/4"	7/8"	Imperial
DAJCML251-080806IN	3/4"-16	3/4"-16	9/16"-18	31.75	24.33	29.00	9.93	9.93	7.54	3/4"	7/8"	Imperial
DAJCML251-0808IN	3/4"-16	3/4"-16	3/4"-16	31.75	24.33	31.75	9.93	9.93	9.93	3/4"	7/8"	Imperial
DAJCML251-080812IN	3/4"-16	3/4"-16	1-1/16"-12	36.10	28.70	42.20	9.93	9.93	15.47	1-1/16"	7/8"	Imperial
DAJCML251-0812IN	3/4"-16	1-1/16"-12	3/4"-16	36.10	30.20	36.10	9.93	15.47	9.93	1-1/16"	1-1/4"	Imperial
DAJCML251-1006	7/8"-14	9/16"-18	7/8"-14	36.80	25.50	36.80	12.29	7.54	12.29	22 mm	19 mm	Metric
DAJCML251-101008	7/8"-14	7/8"-14	3/4"-16	36.83	28.45	33.80	12.29	12.29	9.93	22 mm	27 mm	Metric
DAJCML251-1010	7/8"-14	7/8"-14	7/8"-14	36.80	28.45	36.80	12.29	12.29	12.29	22 mm	27 mm	Metric
DAJCML251-101012	7/8"-14	7/8"-14	1 1/16"-12	39.30	29.30	42.20	12.29	12.29	15.47	27 mm	27 mm	Metric
DAJCML251-1006IN	7/8"-14	9/16"-18	7/8"-14	36.80	25.50	36.80	12.29	7.54	12.29	7/8"	11/16"	Imperial
DAJCML251-101008IN	7/8"-14	7/8"-14	3/4"-16	36.83	28.45	33.80	12.29	12.29	9.93	7/8"	1"	Imperial
DAJCML251-1010IN	7/8"-14	7/8"-14	7/8"-14	36.80	28.45	36.80	12.29	12.29	12.29	7/8"	1"	Imperial
DAJCML251-101012IN	7/8"-14	7/8"-14	1 1/16"-12	39.30	29.30	42.20	12.29	12.29	15.47	1-1/16"	1"	Imperial
DAJCML251-120808	1-1/16"-12	3/4"-16	3/4"-16	42.20	28.70	36.20	15.47	9.93	9.93	27 mm	22 mm	Metric
DAJCML251-1208	1-1/16"-12	3/4"-16	1-1/16"-12	42.20	28.53	42.20	15.47	9.93	15.47	27 mm	22 mm	Metric
DAJCML251-1212	1-1/16"-12	1-1/16"-12	1-1/16"-12	42.20	30.18	42.20	15.47	15.47	15.47	27 mm	32 mm	Metric
DAJCML251-120808IN	1-1/16"-12	3/4"-16	3/4"-16	42.20	28.70	36.20	15.47	9.93	9.93	1-1/16"	7/8"	Imperial
DAJCML251-1208IN	1-1/16"-12	3/4"-16	1-1/16"-12	42.20	28.53	42.20	15.47	9.93	15.47	1-1/16"	7/8"	Imperial
DAJCML251-1212IN	1-1/16"-12	1-1/16"-12	1-1/16"-12	42.20	30.18	42.20	15.47	15.47	15.47	1-1/16"	1-1/4"	Imperial
DAJCML251-1414	1-3/16"-12	1-3/16"-12	1-3/16"-12	45.70	35.70	45.70	18.26	18.26	18.26	33 mm	36 mm	Metric
DAJCML251-1414IN	1-3/16"-12	1-3/16"-12	1-3/16"-12	45.70	35.70	45.70	18.26	18.26	18.26	1-5/16"	1-3/8"	Imperial
DAJCML251-161608	1-5/16"-12	1-5/16"-12	3/4"-16	45.97	35.71	40.70	21.44	21.44	9.93	33 mm	41 mm	Metric
DAJCML251-161612	1-5/16"-12	1-5/16"-12	1-1/16"-12	45.97	35.71	44.70	21.44	21.44	15.47	33 mm	41 mm	Metric
DAJCML251-1616	1-5/16"-12	1-5/16"-12	1-5/16"-12	45.97	35.71	45.97	21.44	21.44	21.44	33 mm	41 mm	Metric
DAJCML251-161608IN	1-5/16"-12	1-5/16"-12	3/4"-16	45.97	35.71	40.70	21.44	21.44	9.93	1-5/16"	1-1/2"	Imperial
DAJCML251-161612IN	1-5/16"-12	1-5/16"-12	1-1/16"-12	45.97	35.71	44.70	21.44	21.44	15.47	1-5/16"	1-1/2"	Imperial
DAJCML251-1616IN	1-5/16"-12	1-5/16"-12	1-5/16"-12	45.97	35.71	45.97	21.44	21.44	21.44	1-5/16"	1-1/2"	Imperial
DAJCML251-2020	1-5/8"-12	1-5/8"-12	1-5/8"-12	52.30	42.80	52.30	27.38	27.42	27.38	41 mm	50 mm	Metric
DAJCML251-2020IN	1-5/8"-12	1-5/8"-12	1-5/8"-12	52.30	42.80	52.30	27.38	27.42	27.38	1-5/8"	2"	Imperial
DAJCML251-2424	1-7/8"-12	1-7/8"-12	1-7/8"-12	59.20	65.60	59.20	33.32	33.32	33.32	48 mm	55 mm	Metric
DAJCML251-2424IN	1-7/8"-12	1-7/8"-12	1-7/8"-12	59.20	65.60	59.20	33.32	33.32	33.32	1-7/8"	2-1/4"	Imperial
DAJCML251-3232	2-1/2"-12	2-1/2"-12	2-1/2"-12	77.70	61.98	77.70	45.24	45.24	45.24	65 mm	75 mm	Metric
DAJCML251-3232IN	2-1/2"-12	2-1/2"-12	2-1/2"-12	77.70	61.98	77.70	45.24	45.24	45.24	2-1/2"	2-7/8"	Imperial

## DAJCML305

Run Adjustable Tee JIC Male – SAE Male O Ring



- DME&JDE Code:** DAJCML305
- Product Type:** Hydraulic adaptor
- Standard:** JIC and SAE-ORB
- Structure:** Run Tee
- Connection Type:** Adjustable Male x Male x Male
- Thread Types:** UNF x UNF x UNF
- Sealing Method:** O Ring

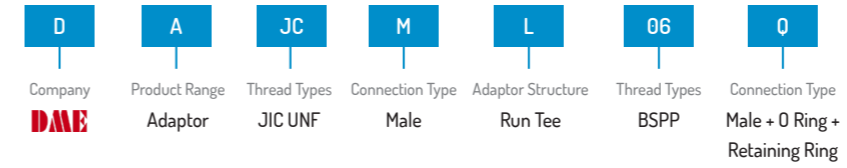


PART NUMBER	F1 (Thread)	F2 (Thread)	F3 (Thread)	L1	L2	L3	D1	D2	D3	S	S1	Hex
#	UNF	UNF	UNF	mm	mm	mm	mm	mm	mm	-	-	-
DAJCML305-0402	7/16"-20	5/16"-24	7/16"-20	22.61	23.37	22.61	4.37	1.57	4.37	11 mm	11 mm	Metric
DAJCML305-0404	7/16"-20	7/16"-20	7/16"-20	22.60	26.2	22.60	4.37	4.37	4.37	11 mm	14 mm	Metric
DAJCML305-0405	7/16"-20	1/2"-20	7/16"-20	24.10	28.7	24.10	4.37	5.94	4.37	14 mm	17 mm	Metric
DAJCML305-0406	7/16"-20	9/16"-18	7/16"-20	26.70	31.8	26.70	4.37	7.54	4.37	14 mm	19 mm	Metric
DAJCML305-0402IN	7/16"-20	5/16"-24	7/16"-20	22.61	23.37	22.61	4.37	1.57	4.37	7/16"	7/16"	Imperial
DAJCML305-0404IN	7/16"-20	7/16"-20	7/16"-20	22.60	26.2	22.60	4.37	4.37	4.37	7/16"	9/16"	Imperial
DAJCML305-0405IN	7/16"-20	1/2"-20	7/16"-20	24.10	28.7	24.10	4.37	5.94	4.37	9/16"	5/8"	Imperial
DAJCML305-0406IN	7/16"-20	9/16"-18	7/16"-20	26.70	31.8	26.70	4.37	7.54	4.37	9/16"	11/16"	Imperial
DAJCML305-0505	1/2"-20	1/2"-20	1/2"-20	24.10	28.7	24.10	5.94	5.94	5.94	14 mm	17 mm	Metric
DAJCML305-0505IN	1/2"-20	1/2"-20	1/2"-20	24.10	28.7	24.10	5.94	5.94	5.94	9/16"	5/8"	Imperial
DAJCML305-0604	9/16"-18	7/16"-20	9/16"-18	26.90	30.2	26.90	7.54	4.37	7.54	14 mm	14 mm	Metric
DAJCML305-0606	9/16"-18	9/16"-18	9/16"-18	26.90	31.8	26.90	7.54	7.54	7.54	14 mm	19 mm	Metric
DAJCML305-0608	9/16"-18	3/4"-16	9/16"-18	29.00	36.8	29.00	7.54	9.93	7.54	19 mm	22 mm	Metric
DAJCML305-0604IN	9/16"-18	7/16"-20	9/16"-18	26.90	30.2	26.90	7.54	4.37	7.54	9/16"	9/16"	Imperial
DAJCML305-0606IN	9/16"-18	9/16"-18	9/16"-18	26.90	31.8	26.90	7.54	7.54	7.54	9/16"	11/16"	Imperial
DAJCML305-0608IN	9/16"-18	3/4"-16	9/16"-18	29.00	36.8	29.00	7.54	9.93	7.54	3/4"	7/8"	Imperial
DAJCML305-0806	3/4"-16	9/16"-18	3/4"-16	31.80	33.5	31.80	9.93	7.54	9.93	19 mm	19 mm	Metric
DAJCML305-0808	3/4"-16	3/4"-16	3/4"-16	31.80	36.8	31.80	9.93	9.93	9.93	19 mm	22 mm	Metric
DAJCML305-0810	3/4"-16	7/8"-14	3/4"-16	33.80	43.2	33.80	9.93	12.29	9.93	22 mm	27 mm	Metric
DAJCML305-0812	3/4"-16	1-1/16"-12	3/4"-16	36.80	49.3	36.80	9.93	15.47	9.93	27 mm	32 mm	Metric

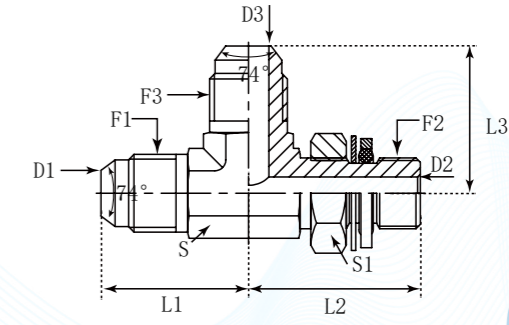
DAJCML305-0806IN	3/4"-16	9/16"-18	3/4"-16	31.80	33.5	31.80	9.93	7.54	9.93	3/4"	11/16"	Imperial
DAJCML305-0808IN	3/4"-16	3/4"-16	3/4"-16	31.80	36.8	31.80	9.93	9.93	9.93	3/4"	7/8"	Imperial
DAJCML305-0810IN	3/4"-16	7/8"-14	3/4"-16	33.80	43.2	33.80	9.93	12.29	9.93	7/8"	1"	Imperial
DAJCML305-0812IN	3/4"-16	1-1/16"-12	3/4"-16	36.80	49.3	36.80	9.93	15.47	9.93	1-1/16"	1-1/4"	Imperial
DAJCML305-1008	7/8"-14	3/4"-16	7/8"-14	36.80	39.1	36.80	12.29	9.93	12.29	22 mm	22 mm	Metric
DAJCML305-1010	7/8"-14	7/8"-14	7/8"-14	36.80	43.2	36.80	12.29	12.29	12.29	22 mm	27 mm	Metric
DAJCML305-1012	7/8"-14	1-1/16"-12	7/8"-14	39.10	49.3	39.10	12.29	15.47	12.29	27 mm	32 mm	Metric
DAJCML305-1008IN	7/8"-14	3/4"-16	7/8"-14	36.80	39.1	36.80	12.29	9.93	12.29	7/8"	7/8"	Imperial
DAJCML305-1010IN	7/8"-14	7/8"-14	7/8"-14	36.80	43.2	36.80	12.29	12.29	12.29	7/8"	1"	Imperial
DAJCML305-1012IN	7/8"-14	1-1/16"-12	7/8"-14	39.10	49.3	39.10	12.29	15.47	12.29	1-1/16"	1-1/4"	Imperial
DAJCML305-1208	1-1/16"-12	3/4"-16	1-1/16"-12	42.20	41.2	42.20	15.47	9.93	15.47	27 mm	22 mm	Metric
DAJCML305-1210	1-1/16"-12	7/8"-14	1-1/16"-12	42.20	45.2	42.20	15.47	12.29	15.47	27 mm	27 mm	Metric
DAJCML305-1212	1-1/16"-12	1-1/16"-12	1-1/16"-12	42.20	49.3	42.20	15.47	15.47	15.47	27 mm	32 mm	Metric
DAJCML305-1216	1-1/16"-12	1-5/16"-12	1-1/16"-12	44.70	52.1	44.70	15.47	21.44	15.47	33 mm	41 mm	Metric
DAJCML305-1208IN	1-1/16"-12	3/4"-16	1-1/16"-12	42.20	41.2	42.20	15.47	9.93	15.47	1-1/16"	7/8"	Imperial
DAJCML305-1210IN	1-1/16"-12	7/8"-14	1-1/16"-12	42.20	45.2	42.20	15.47	12.29	15.47	1-1/16"	1"	Imperial
DAJCML305-1212IN	1-1/16"-12	1-1/16"-12	1-1/16"-12	42.20	49.3	42.20	15.47	15.47	15.47	1-1/16"	1-1/4"	Imperial
DAJCML305-1216IN	1-1/16"-12	1-5/16"-12	1-1/16"-12	44.70	52.1	44.70	15.47	21.44	15.47	1-5/16"	1-1/2"	Imperial
DAJCML305-1414	1-3/16"-12	1-3/16"-12	1-3/16"-12	45.70	50.8	45.70	18.26	18.26	18.26	33 mm	36 mm	Metric
DAJCML305-1414IN	1-3/16"-12	1-3/16"-12	1-3/16"-12	45.70	50.8	45.70	18.26	18.26	18.26	1-5/16"	1-3/8"	Imperial
DAJCML305-1612	1-5/16"-12	1-1/16"-12	1-5/16"-12	46.00	52.1	46.00	21.44	15.47	21.44	33 mm	32 mm	Metric
DAJCML305-1616	1-5/16"-12	1-5/16"-12	1-5/16"-12	46.00	52.1	46.00	21.44	21.5	21.44	33 mm	41 mm	Metric
DAJCML305-1620	1-5/16"-12	1-5/8"-12	1-5/16"-12	51.10	57.2	51.10	21.44	27.38	21.44	41 mm	50 mm	Metric
DAJCML305-1612IN	1-5/16"-12	1-1/16"-12	1-5/16"-12	46.00	52.1	46.00	21.44	15.47	21.44	1-5/16"	1-1/4"	Imperial
DAJCML305-1616IN	1-5/16"-12	1-5/16"-12	1-5/16"-12	46.00	52.1	46.00	21.44	21.5	21.44	1-5/16"	1-1/2"	Imperial
DAJCML305-1620IN	1-5/16"-12	1-5/8"-12	1-5/16"-12	51.10	57.2	51.10	21.44	27.38	21.44	1-5/8"	1-7/8"	Imperial
DAJCML305-2016	1-5/8"-12	1-5/16"-12	1-5/8"-12	52.30	57.2	52.30	27.38	21.44	27.38	41 mm	41 mm	Metric
DAJCML305-2020	1-5/8"-12	1-5/8"-12	1-5/8"-12	52.30	57.2	52.30	27.38	27.38	27.38	41 mm	50 mm	Metric
DAJCML305-2016IN	1-5/8"-12	1-5/16"-12	1-5/8"-12	52.30	57.2	52.30	27.38	21.44	27.38	1-5/8"	1-1/2"	Imperial
DAJCML305-2020IN	1-5/8"-12	1-5/8"-12	1-5/8"-12	52.30	57.2	52.30	27.38	27.38	27.38	1-5/8"	1-7/8"	Imperial
DAJCML305-2424	1-7/8"-12	1-7/8"-12	1-7/8"-12	59.20	60.7	59.20	33.32	33.32	33.32	48 mm	55 mm	Metric
DAJCML305-2424IN	1-7/8"-12	1-7/8"-12	1-7/8"-12	59.20	60.7	59.20	33.32	33.32	33.32	1-7/8"	2-1/8"	Imperial
DAJCML305-3232	2-1/2"-12	2-1/2"-12	2-1/2"-12	77.70	73.4	77.70	45.24	45.24	45.24	65 mm	70 mm	Metric
DAJCML305-3232IN	2-1/2"-12	2-1/2"-12	2-1/2"-12	77.70	73.4	77.70	45.24	45.24	45.24	2-1/2"	2-3/4"	Imperial

## DAJCML06Q

Run Adjustable Tee JIC Male – BSPP Male + O Ring + Retaining Ring



- DME&JDE Code:** DAJCML06Q
- Product Type:** Hydraulic adaptor
- Standard:** JIC and SAE-ORB
- Structure:** Run Tee
- Connection Type:** Adjustable Male x Male x Male
- Thread Types:** UNF x BSPP x UNF
- Sealing Method:** O Ring + Retaining Ring



PART NUMBER	F1 (Thread)	F2 (Thread)	F3 (Thread)	D1	D2	D3	L1	L2	L3	S	S1
#	UNF	BSPP	UNF	mm	mm	mm	mm	mm	mm	mm	mm
DAJCML06Q-0402	7/16"-20	1/8"-28	7/16"-20	4.37	4.40	4.37	22.50	26.00	22.50	11	14
DAJCML06Q-0404	7/16"-20	1/4"-19	7/16"-20	4.37	7.50	4.37	27.00	31.50	27.00	14	19
DAJCML06Q-0406	7/16"-20	3/8"-19	7/16"-20	4.37	9.90	4.37	28.50	36.50	28.50	19	22
DAJCML06Q-0408	7/16"-20	1/2"-14	7/16"-20	4.37	12.30	4.37	31.00	43.00	31.00	22	27
DAJCML06Q-0502	1/2"-20	1/8"-28	1/2"-20	5.94	4.40	5.94	24.00	28.00	24.00	14	14
DAJCML06Q-0504	1/2"-20	1/4"-19	1/2"-20	5.94	7.50	5.94	27.00	31.00	27.00	14	19
DAJCML06Q-0506	1/2"-20	3/8"-19	1/2"-20	5.94	9.90	5.94	28.50	36.50	28.50	19	22
DAJCML06Q-0604	9/16"-18	1/4"-19	9/16"-18	7.54	7.50	7.54	27.00	31.50	27.00	14	19
DAJCML06Q-0606	9/16"-18	3/8"-19	9/16"-18	7.54	9.90	7.54	28.50	36.50	28.50	19	22
DAJCML06Q-0608	9/16"-18	1/2"-14	9/16"-18	7.54	12.30	7.54	31.00	43.00	31.00	22	27
DAJCML06Q-0804	3/4"-16	1/4"-19	3/4"-16	9.93	7.50	9.93	31.50	33.50	31.50	19	19
DAJCML06Q-0806	3/4"-16	3/8"-19	3/4"-16	9.93	9.90	9.93	31.50	36.50	31.50	19	22
DAJCML06Q-0808	3/4"-16	1/2"-14	3/4"-16	9.93	12.30	9.93	34.00	43.00	34.00	22	27
DAJCML06Q-0812	3/4"-16	3/4"-14	3/4"-16	9.93	15.50	9.93	37.00	49.00	37.00	27	36
DAJCML06Q-1006	7/8"-14	3/8"-19	7/8"-14	12.29	9.90	12.29	36.50	39.50	36.50	22	22
DAJCML06Q-1008	7/8"-14	1/2"-14	7/8"-14	12.29	12.30	12.29	36.50	43.00	36.50	22	27
DAJCML06Q-1012	7/8"-14	3/4"-14	7/8"-14	12.29	15.50	12.29	39.50	49.00	39.50	27	36
DAJCML06Q-1208	1-1/16"-12	1/2"-14	1-1/16"-12	15.47	12.30	15.47	42.00	45.50	42.00	27	27
DAJCML06Q-1212	1-1/16"-12	3/4"-14	1-1/16"-12	15.47	15.50	15.47	42.00	49.00	42.00	27	36
DAJCML06Q-1216	1-1/16"-12	1"-11	1-1/16"-12	15.47	21.50	15.47	44.70	52.00	44.70	33	41
DAJCML06Q-1612	1-5/16"-12	3/4"-14	1-5/16"-12	21.44	15.50	21.44	46.00	52.00	46.00	33	36
DAJCML06Q-1616	1-5/16"-12	1"-11	1-5/16"-12	21.44	21.50	21.44	46.00	52.00	46.00	33	41
DAJCML06Q-1620	1-5/16"-12	1-1/4"-11	1-5/16"-12	21.44	27.50	21.44	51.00	57.00	51.00	41	50
DAJCML06Q-2016	1-5/8"-12	1"-11	1-5/8"-12	27.38	21.50	27.38	52.00	57.00	52.00	41	41
DAJCML06Q-2020	1-5/8"-12	1-1/4"-11	1-5/8"-12	27.38	27.50	27.38	52.00	58.00	52.00	41	50
DAJCML06Q-2420	1-7/8"-12	1-1/4"-11	1-7/8"-12	33.32	27.50	33.32	59.00	61.00	59.00	48	50
DAJCML06Q-2424	1-7/8"-12	1-1/2"-11	1-7/8"-12	33.32	33.00	33.32	59.00	61.00	59.00	48	55



## DAJCML065

Run Adjustable Tee JIC Male – BSPP Male + O Ring

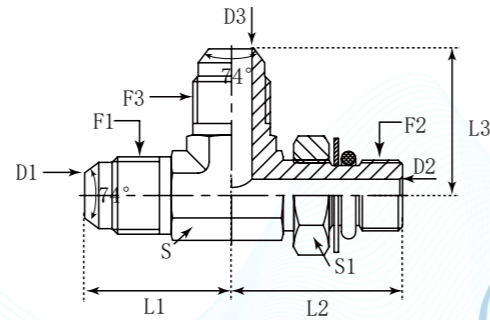
<b>D</b>	<b>A</b>	<b>JC</b>	<b>M</b>	<b>L</b>	<b>06</b>	<b>5</b>
Company	Product Range	Thread Types	Connection Type	Adaptor Structure	Thread Types	Connection Type
<b>DME</b>	Adaptor	JIC UNF	Male	Run Tee	BSPP	Male + O Ring

German Technology Equipment

**SHIELD FLEX**

New-Standard

- DME&JDE Code: **DAJCML065**
- Product Type: **Hydraulic adaptor**
- Standard: **JIC and SAE-ORB**
- Structure: **Run Tee**
- Connection Type: **Adjustable Male x Female x Male**
- Thread Types: **UNF x BSPP x UNF**
- Sealing Method: **O Ring**



PART NUMBER	F1 (Thread)	F2 (Thread)	F3 (Thread)	D1	D2	D3	L1	L2	L3	S	S1
#	UNF	BSPP	UNF	mm	mm	mm	mm	mm	mm	mm	mm
DAJCML065-0402	7/16"-20	1/8"-28	7/16"-20	4.37	4.40	4.37	22.50	26.00	22.50	11	14
DAJCML065-0404	7/16"-20	1/4"-19	7/16"-20	4.37	7.50	4.37	27.00	31.50	27.00	14	19
DAJCML065-0406	7/16"-20	3/8"-19	7/16"-20	4.37	9.90	4.37	28.50	36.50	28.50	19	22
DAJCML065-0502	1/2"-20	1/8"-28	1/2"-20	5.94	4.40	5.94	24.00	28.00	24.00	14	14
DAJCML065-0504	1/2"-20	1/4"-19	1/2"-20	5.94	7.50	5.94	27.00	31.00	27.00	14	19
DAJCML065-0506	1/2"-20	3/8"-19	1/2"-20	5.94	9.90	5.94	28.50	36.50	28.50	19	22
DAJCML065-0604	9/16"-18	1/4"-19	9/16"-18	7.54	7.50	7.54	27.00	31.50	27.00	14	19
DAJCML065-0606	9/16"-18	3/8"-19	9/16"-18	7.54	9.90	7.54	28.50	36.50	28.50	19	22
DAJCML065-0608	9/16"-18	1/2"-14	9/16"-18	7.54	12.30	7.54	31.00	43.00	31.00	22	27
DAJCML065-0804	3/4"-16	1/4"-19	3/4"-16	9.93	7.50	9.93	31.50	33.50	31.50	19	19
DAJCML065-0806	3/4"-16	3/8"-19	3/4"-16	9.93	9.90	9.93	31.50	36.50	31.50	19	22
DAJCML065-0808	3/4"-16	1/2"-14	3/4"-16	9.93	12.30	9.93	34.00	43.00	34.00	22	27
DAJCML065-0812	3/4"-16	3/4"-14	3/4"-16	9.93	15.50	9.93	37.00	49.00	37.00	27	36
DAJCML065-1006	7/8"-14	3/8"-19	7/8"-14	12.29	9.90	12.29	36.50	39.50	36.50	22	22
DAJCML065-1008	7/8"-14	1/2"-14	7/8"-14	12.29	12.30	12.29	36.50	43.00	36.50	22	27
DAJCML065-1012	7/8"-14	3/4"-14	7/8"-14	12.29	15.50	12.29	39.50	49.00	39.50	27	36
DAJCML065-1208	1-1/16"-12	1/2"-14	1-1/16"-12	15.47	12.30	15.47	42.00	45.50	42.00	27	27
DAJCML065-1212	1-1/16"-12	3/4"-14	1-1/16"-12	15.47	15.50	15.47	42.00	49.00	42.00	27	36
DAJCML065-1216	1-1/16"-12	1"-11	1-1/16"-12	15.47	21.50	15.47	44.70	52.00	44.70	33	41
DAJCML065-1612	1-5/16"-12	3/4"-14	1-5/16"-12	21.44	15.50	21.44	46.00	52.00	46.00	33	36
DAJCML065-1616	1-5/16"-12	1"-11	1-5/16"-12	21.44	21.50	21.44	46.00	52.00	46.00	33	41
DAJCML065-1620	1-5/16"-12	1-1/4"-11	1-5/16"-12	21.44	27.50	21.44	51.00	57.00	51.00	41	50
DAJCML065-2016	1-5/8"-12	1"-11	1-5/8"-12	27.38	21.50	27.38	52.00	57.00	52.00	41	41
DAJCML065-2020	1-5/8"-12	1-1/4"-11	1-5/8"-12	27.38	27.50	27.38	52.00	58.00	52.00	41	50
DAJCML065-2420	1-7/8"-12	1-1/4"-11	1-7/8"-12	33.32	27.50	33.32	59.00	61.00	59.00	48	50
DAJCML065-2424	1-7/8"-12	1-1/2"-11	1-7/8"-12	33.32	33.00	33.32	59.00	61.00	59.00	48	55

## DAJCML52Q

Run Adjustable Tee JIC Male – Metric Male + O Ring + Retaining Ring

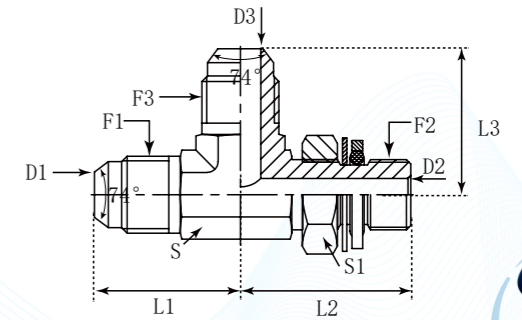
<b>D</b>	<b>A</b>	<b>JC</b>	<b>M</b>	<b>L</b>	<b>52</b>	<b>0</b>
Company	Product Range	Thread Types	Connection Type	Adaptor Structure	Thread Types	Connection Type
<b>DME</b>	Adaptor	JIC UNF	Male	Run Tee	Metric	Male + O Ring + Retaining Ring

German Technology Equipment

**SHIELD FLEX**

New-Standard

- DME&JDE Code: **DAJCML52Q**
- Product Type: **Hydraulic adaptor**
- Standard: **JIC and SAE-ORB**
- Structure: **Run Tee**
- Connection Type: **Adjustable Male x Female x Male**
- Thread Types: **UNF x Metric x UNF**
- Sealing Method: **O Ring + Retaining Ring**



PART NUMBER	F1 (Thread)	F2 (Thread)	F3 (Thread)	D1	D2	D3	L1	L2	L3	S	S1
#	UNF	Metric	UNF	mm	mm	mm	mm	mm	mm	mm	mm
DAJCML52Q-0410	7/16"-20	M10X1	7/16"-20	4.37	3.00	4.37	22.50	27.50	22.50	11	14
DAJCML52Q-0412	7/16"-20	M12X1.5	7/16"-20	4.37	4.00	4.37	27.00	31.50	27.00	14	17
DAJCML52Q-0414	7/16"-20	M14X1.5	7/16"-20	4.37	6.00	4.37	27.00	32.50	27.00	14	19
DAJCML52Q-0510	1/2"-20	M10X1	1/2"-20	5.94	4.00	5.94	27.00	28.50	27.00	14	14
DAJCML52Q-0512	1/2"-20	M12X1.5	1/2"-20	5.94	4.00	5.94	27.00	31.50	27.00	14	17
DAJCML52Q-0514	1/2"-20	M14X1.5	1/2"-20	5.94	6.00	5.94	27.00	32.50	27.00	14	19
DAJCML52Q-0612	9/16"-18	M12X1.5	9/16"-18	7.54	4.00	7.54	27.00	31.50	27.00	14	17
DAJCML52Q-0614	9/16"-18	M14X1.5	9/16"-18	7.54	6.00	7.54	27.00	32.50	27.00	14	19
DAJCML52Q-0616	9/16"-18	M16X1.5	9/16"-18	7.54	7.00	7.54	28.50	36.50	28.50	19	22
DAJCML52Q-0618	9/16"-18	M18X1.5	9/16"-18	7.54	9.00	7.54	29.00	39.50	29.00	19	24
DAJCML52Q-0816	3/4"-16	M16X1.5	3/4"-16	9.93	7.00	9.93	31.50	36.50	31.50	19	22
DAJCML52Q-0818	3/4"-16	M18X1.5	3/4"-16	9.93	9.00	9.93	31.50	39.50	31.50	19	24
DAJCML52Q-0822	3/4"-16	M22X1.5	3/4"-16	9.93	12.00	9.93	33.80	43.00	33.80	22	27
DAJCML52Q-1018	7/8"-14	M18X1.5	7/8"-14	12.29	9.00	12.29	36.80	41.50	36.80	22	24
DAJCML52Q-1022	7/8"-14	M22X1.5	7/8"-14	12.29	12.00	12.29	36.50	43.00	36.50	22	27
DAJCML52Q-1026	7/8"-14	M26X1.5	7/8"-14	12.29	15.00	12.29	40.00	52.00	40.00	27	32
DAJCML52Q-1222	1-1/16"-12	M22X1.5	1-1/16"-12	15.47	14.00	15.47	42.00	45.50	42.00	27	27
DAJCML52Q-1226	1-1/16"-12	M26X1.5	1-1/16"-12	15.47	15.00	15.47	42.00	51.50	42.00	27	32
DAJCML52Q-1227	1-1/16"-12	M27X2	1-1/16"-12	15.47	15.00	15.47	42.00	50.00	42.00	27	32
DAJCML52Q-1627	1-5/16"-12	M27X2	1-5/16"-12	21.44	15.00	21.44	46.00	55.00	46.00	33	32
DAJCML52Q-1633	1-5/16"-12	M33X2	1-5/16"-12	21.44	21.50	21.44	46.00	55.00	46.00	33	41
DAJCML52Q-2042	1-5/8"-12	M42X2	1-5/8"-12	27.38	26.00	27.38	52.00	60.00	52.00	41	50
DAJCML52Q-2448	1-7/8"-12	M48X2	1-7/8"-12	33.32	32.00	33.32	59.00	67.00	59.00	48	55

## DAJCML525

Run Adjustable Tee JIC Male – Metric Male + O Ring

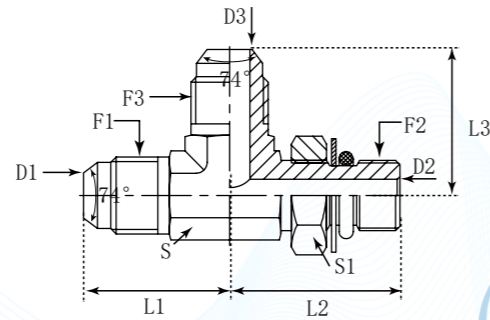
<b>D</b>	<b>A</b>	<b>JC</b>	<b>M</b>	<b>L</b>	<b>52</b>	<b>5</b>
Company	Product Range	Thread Types	Connection Type	Adaptor Structure	Thread Types	Connection Type
<b>DME</b>	Adaptor	JIC UNF	Male	Run Tee	Metric	Male + O Ring

German Technology Equipment

**SHIELD FLEX**

New-Standard

- DME&JDE Code: **DAJCML525**
- Product Type: **Hydraulic adaptor**
- Standard: **JIC and SAE-ORB**
- Structure: **Run Tee**
- Connection Type: **Adjustable Male x Male x Male**
- Thread Types: **UNF x Metric x UNF**
- Sealing Method: **O Ring**



PART NUMBER	F1 (Thread)	F2 (Thread)	F3 (Thread)	D1	D2	D3	L1	L2	L3	S	S1
#	UNF	Metric	UNF	mm	mm	mm	mm	mm	mm	mm	mm
DAJCML525-0410	7/16"-20	M10X1	7/16"-20	4.37	3.00	4.37	22.50	27.50	22.50	11	14
DAJCML525-0412	7/16"-20	M12X1.5	7/16"-20	4.37	4.00	4.37	27.00	31.50	27.00	14	17
DAJCML525-0414	7/16"-20	M14X1.5	7/16"-20	4.37	6.00	4.37	27.00	32.50	27.00	14	19
DAJCML525-0510	1/2"-20	M10X1	1/2"-20	5.94	4.00	5.94	27.00	28.50	27.00	14	14
DAJCML525-0512	1/2"-20	M12X1.5	1/2"-20	5.94	4.00	5.94	27.00	31.50	27.00	14	17
DAJCML525-0514	1/2"-20	M14X1.5	1/2"-20	5.94	6.00	5.94	27.00	32.50	27.00	14	19
DAJCML525-0612	9/16"-18	M12X1.5	9/16"-18	7.54	4.00	7.54	27.00	31.50	27.00	14	17
DAJCML525-0614	9/16"-18	M14X1.5	9/16"-18	7.54	6.00	7.54	27.00	32.50	27.00	14	19
DAJCML525-0616	9/16"-18	M16X1.5	9/16"-18	7.54	7.00	7.54	28.50	36.50	28.50	19	22
DAJCML525-0618	9/16"-18	M18X1.5	9/16"-18	7.54	9.00	7.54	29.00	39.50	29.00	19	24
DAJCML525-0816	3/4"-16	M16X1.5	3/4"-16	9.93	7.00	9.93	31.50	36.50	31.50	19	22
DAJCML525-0818	3/4"-16	M18X1.5	3/4"-16	9.93	9.00	9.93	31.50	39.50	31.50	19	24
DAJCML525-0822	3/4"-16	M22X1.5	3/4"-16	9.93	12.00	9.93	33.80	43.00	33.80	22	27
DAJCML525-1018	7/8"-14	M18X1.5	7/8"-14	12.29	9.00	12.29	36.80	41.50	36.80	22	24
DAJCML525-1022	7/8"-14	M22X1.5	7/8"-14	12.29	12.00	12.29	36.50	43.00	36.50	22	27
DAJCML525-1026	7/8"-14	M26X1.5	7/8"-14	12.29	15.00	12.29	40.00	52.00	40.00	27	32
DAJCML525-1222	1-1/16"-12	M22X1.5	1-1/16"-12	15.47	14.00	15.47	42.00	45.50	42.00	27	27
DAJCML525-1226	1-1/16"-12	M26X1.5	1-1/16"-12	15.47	15.00	15.47	42.00	51.50	42.00	27	32
DAJCML525-1227	1-1/16"-12	M27X2	1-1/16"-12	15.47	15.00	15.47	42.00	50.00	42.00	27	32
DAJCML525-1627	1-5/16"-12	M27X2	1-5/16"-12	21.44	15.00	21.44	46.00	55.00	46.00	33	32
DAJCML525-1633	1-5/16"-12	M33X2	1-5/16"-12	21.44	21.50	21.44	46.00	55.00	46.00	33	41
DAJCML525-2042	1-5/8"-12	M42X2	1-5/8"-12	27.38	26.00	27.38	52.00	60.00	52.00	41	50
DAJCML525-2448	1-7/8"-12	M48X2	1-7/8"-12	33.32	32.00	33.32	59.00	67.00	59.00	48	55

## DAJCML28M

Run Tee Connector JIC Male – NPTF Male

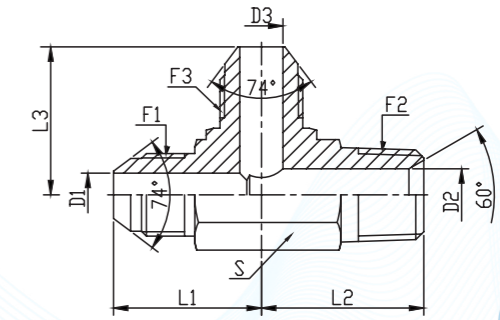
<b>D</b>	<b>A</b>	<b>JC</b>	<b>M</b>	<b>L</b>	<b>28</b>	<b>M</b>
Company	Product Range	Thread Types	Connection Type	Adaptor Structure	Thread Types	Connection Type
<b>DME</b>	Adaptor	JIC UNF	Male	Run Tee	NPTF	Male

German Technology Equipment

**SHIELD FLEX**

New-Standard

- DME&JDE Code: **DAJCML28M**
- Product Type: **Hydraulic adaptor**
- Standard: **JIC and SAE-ORB**
- Structure: **Run Tee**
- Connection Type: **Adjustable Male x Male x Male**
- Thread Types: **UNF x UNF x NPTF**

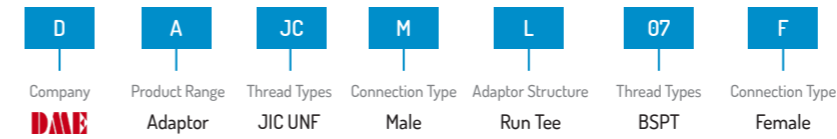


PART NUMBER	F1 (Thread)	F3 (Thread)	F2 (Thread)	D1	D3	D2	L1	L3	L2	S	Hex
#	UNF	UNF	NPTF	mm	mm	mm	mm	mm	mm	-	-
DAJCML28M-0202	5/16"-24	1/8"-27	5/16"-24	1.57	4.78	1.57	19.6	18.3	19.6	11 mm	Metric
DAJCML28M-0202IN	5/16"-24	1/8"-27	5/16"-24	1.57	4.78	1.57	19.6	18.3	19.6	7/16"	Imperial
DAJCML28M-0302	3/8"-24	1/8"-27	3/8"-24	3.18	4.78	3.18	21.10	18.30	21.10	11 mm	Metric
DAJCML28M-0302IN	3/8"-24	1/8"-27	3/8"-24	3.18	4.78	3.18	21.10	18.30	21.10	7/16"	Imperial
DAJCML28M-0402	7/16"-20	1/8"-27	7/16"-20	4.37	4.78	4.37	22.60	19.80	22.60	11 mm	Metric
DAJCML28M-0404	7/16"-20	1/4"-18	7/16"-20	4.37	7.14	4.37	26.70	27.70	26.70	14 mm	Metric
DAJCML28M-0406	7/16"-20	3/8"-18	7/16"-20	4.37	10.31	4.37	28.50	31.00	28.50	19 mm	Metric
DAJCML28M-0402IN	7/16"-20	1/8"-27	7/16"-20	4.37	4.78	4.37	22.60	19.80	22.60	7/16"	Imperial
DAJCML28M-0404IN	7/16"-20	1/4"-18	7/16"-20	4.37	7.14	4.37	26.70	27.70	26.70	9/16"	Imperial
DAJCML28M-0406IN	7/16"-20	3/8"-18	7/16"-20	4.37	10.31	4.37	28.50	31.00	28.50	3/4"	Imperial
DAJCML28M-0502	1/2"-20	1/8"-27	1/2"-20	5.94	4.78	5.94	24.10	19.80	24.10	14 mm	Metric
DAJCML28M-0504	1/2"-20	1/4"-18	1/2"-20	5.94	7.14	5.94	26.70	27.70	26.70	14 mm	Metric
DAJCML28M-0502IN	1/2"-20	1/8"-27	1/2"-20	5.94	4.78	5.94	24.10	19.80	24.10	9/16"	Imperial
DAJCML28M-0504IN	1/2"-20	1/4"-18	1/2"-20	5.94	7.14	5.94	26.70	27.70	26.70	9/16"	Imperial
DAJCML28M-0602	9/16"-18	1/8"-27	9/16"-18	7.54	4.78	7.54	26.90	22.90	26.90	14 mm	Metric
DAJCML28M-0604	9/16"-18	1/4"-18	9/16"-18	7.54	7.14	7.54	26.90	27.70	26.90	14 mm	Metric
DAJCML28M-0606	9/16"-18	3/8"-18	9/16"-18	7.54	10.31	7.54	29.00	31.00	29.00	19 mm	Metric
DAJCML28M-0608	9/16"-18	1/2"-14	9/16"-18	7.54	13.49	7.54	29.50	37.30	29.50	22 mm	Metric
DAJCML28M-0602IN	9/16"-18	1/8"-27	9/16"-18	7.54	4.78	7.54	26.90	22.90	26.90	9/16"	Imperial

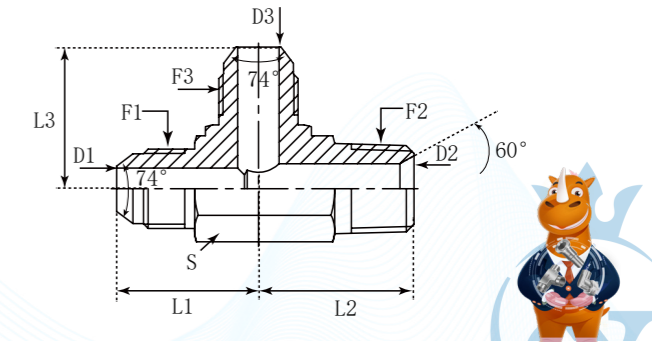
DAJCML28M-0604IN	9/16"-18	1/4"-18	9/16"-18	7.54	7.14	7.54	26.90	27.70	26.90	9/16"	Imperial
DAJCML28M-0606IN	9/16"-18	3/8"-18	9/16"-18	7.54	10.31	7.54	29.00	31.00	29.00	3/4"	Imperial
DAJCML28M-0608IN	9/16"-18	1/2"-14	9/16"-18	7.54	13.49	7.54	29.50	37.30	29.50	7/8"	Imperial
DAJCML28M-0804	3/4"-16	1/4"-18	3/4"-16	9.93	7.14	9.93	31.80	31.00	31.80	19 mm	Metric
DAJCML28M-0806	3/4"-16	3/8"-18	3/4"-16	9.93	10.31	9.93	31.80	31.00	31.80	19 mm	Metric
DAJCML28M-0808	3/4"-16	1/2"-14	3/4"-16	9.93	13.49	9.93	33.80	37.30	33.80	22 mm	Metric
DAJCML28M-0812	3/4"-16	3/4"-14	3/4"-16	9.93	18.26	9.93	36.10	40.40	36.10	27 mm	Metric
DAJCML28M-0804IN	3/4"-16	1/4"-18	3/4"-16	9.93	7.14	9.93	31.80	31.00	31.80	3/4"	Imperial
DAJCML28M-0806IN	3/4"-16	3/8"-18	3/4"-16	9.93	10.31	9.93	31.80	31.00	31.80	3/4"	Imperial
DAJCML28M-0808IN	3/4"-16	1/2"-14	3/4"-16	9.93	13.49	9.93	33.80	37.30	33.80	7/8"	Imperial
DAJCML28M-0812IN	3/4"-16	3/4"-14	3/4"-16	9.93	18.26	9.93	36.10	40.40	36.10	1-1/16"	Imperial
DAJCML28M-1006	7/8"-14	3/8"-18	7/8"-14	12.29	10.31	12.29	36.80	32.50	36.80	22 mm	Metric
DAJCML28M-1008	7/8"-14	1/2"-14	7/8"-14	12.29	13.49	12.29	36.80	37.30	36.80	22 mm	Metric
DAJCML28M-1012	7/8"-14	3/4"-14	7/8"-14	12.29	18.26	12.29	39.10	40.40	39.10	27 mm	Metric
DAJCML28M-1006IN	7/8"-14	3/8"-18	7/8"-14	12.29	10.31	12.29	36.80	32.50	36.80	7/8"	Imperial
DAJCML28M-1008IN	7/8"-14	1/2"-14	7/8"-14	12.29	13.49	12.29	36.80	37.30	36.80	7/8"	Imperial
DAJCML28M-1012IN	7/8"-14	3/4"-14	7/8"-14	12.29	18.26	12.29	39.10	40.40	39.10	1-1/16"	Imperial
DAJCML28M-1208	1-1/16"-12	1/2"-14	1-1/16"-12	15.47	13.49	15.47	42.20	40.40	42.20	27 mm	Metric
DAJCML28M-1212	1-1/16"-12	3/4"-14	1-1/16"-12	15.47	18.26	15.47	42.20	40.40	42.20	27 mm	Metric
DAJCML28M-1208IN	1-1/16"-12	1/2"-14	1-1/16"-12	15.47	13.49	15.47	42.20	40.40	42.20	1-1/16"	Imperial
DAJCML28M-1212IN	1-1/16"-12	3/4"-14	1-1/16"-12	15.47	18.26	15.47	42.20	40.40	42.20	1-1/16"	Imperial
DAJCML28M-1412	1-3/16"-12	3/4"-14	1-3/16"-12	18.26	18.26	18.26	45.70	42.90	45.70	33 mm	Metric
DAJCML28M-1412IN	1-3/16"-12	3/4"-14	1-3/16"-12	18.26	18.26	18.26	45.70	42.90	45.70	1-5/16"	Imperial
DAJCML28M-1612	1-5/16"-12	3/4"-14	1-5/16"-12	21.44	18.26	21.44	46.00	45.20	46.00	33 mm	Metric
DAJCML28M-1616	1-5/16"-12	1"-11-1/2	1-5/16"-12	21.44	23.83	21.44	46.00	50.00	46.00	33 mm	Metric
DAJCML28M-1612IN	1-5/16"-12	3/4"-14	1-5/16"-12	21.44	18.26	21.44	46.00	45.20	46.00	1-5/16"	Imperial
DAJCML28M-1616IN	1-5/16"-12	1"-11-1/2	1-5/16"-12	21.44	23.83	21.44	46.00	50.00	46.00	1-5/16"	Imperial
DAJCML28M-2016	1-5/8"-12	1"-11-1/2	1-5/8"-12	27.38	23.83	27.38	52.30	59.70	52.30	41 mm	Metric
DAJCML28M-2020	1-5/8"-12	1-1/4"-11-1/2	1-5/8"-12	27.38	31.75	27.38	52.30	60.50	52.30	41 mm	Metric
DAJCML28M-2016IN	1-5/8"-12	1"-11-1/2	1-5/8"-12	27.38	23.83	27.38	52.30	59.70	52.30	1-5/8"	Imperial
DAJCML28M-2020IN	1-5/8"-12	1-1/4"-11-1/2	1-5/8"-12	27.38	31.75	27.38	52.30	60.50	52.30	1-5/8"	Imperial
DAJCML28M-2424	1-7/8"-12	1-1/2"-11-1/2	1-7/8"-12	33.32	38.10	33.32	59.20	67.10	59.20	48 mm	Metric
DAJCML28M-2424IN	1-7/8"-12	1-1/2"-11-1/2	1-7/8"-12	33.32	38.10	33.32	59.20	67.10	59.20	1-7/8"	Imperial
DAJCML28M-3232	2-1/2"-12	2"-11-1/2	2-1/2"-12	45.24	49.23	45.24	77.70	76.20	77.70	65 mm	Metric
DAJCML28M-3232IN	2-1/2"-12	2"-11-1/2	2-1/2"-12	45.24	49.23	45.24	77.70	76.20	77.70	2-1/2"	Imperial

## DAJCML07M

### Run Tee Connector JIC Male – BSPT Male



- DME&JDE Code:** DAJCML07M
- Product Type:** Hydraulic adaptor
- Standard:** JIC and SAE-ORB
- Structure:** Run Tee
- Connection Type:** Male x Male x Male
- Thread Types:** UNF x BSPT x UNF

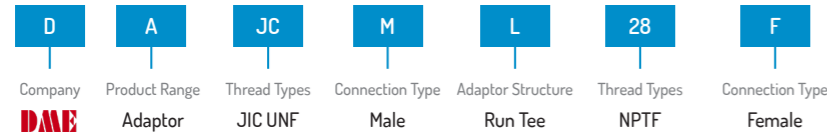


PART NUMBER	F1 (Thread)	F3 (Thread)	F2 (Thread)	D1	D2	D3	L1	L2	L3	S
#	UNF	UNF	BSPT	mm	mm	mm	mm	mm	mm	mm
DAJCML07M-0402	7/16"-20	1/8"-28	7/16"-20	4.37	4.50	4.37	22.60	19.80	22.60	11
DAJCML07M-0404	7/16"-20	1/4"-19	7/16"-20	4.37	6.00	4.37	26.70	27.70	26.70	14
DAJCML07M-0406	7/16"-20	3/8"-19	7/16"-20	4.37	9.00	4.37	28.50	31.00	28.50	19
DAJCML07M-0502	1/2"-20	1/8"-28	1/2"-20	5.94	4.50	5.94	24.13	19.81	24.13	14
DAJCML07M-0504	1/2"-20	1/4"-19	1/2"-20	5.94	6.00	5.94	26.70	27.70	26.70	14
DAJCML07M-0602	9/16"-18	1/8"-28	9/16"-18	7.54	4.50	7.54	26.90	22.90	26.90	14
DAJCML07M-0604	9/16"-18	1/4"-19	9/16"-18	7.54	6.00	7.54	26.90	27.70	26.90	14
DAJCML07M-0606	9/16"-18	3/8"-19	9/16"-18	7.54	9.00	7.54	29.00	31.00	29.00	19
DAJCML07M-0608	9/16"-18	1/2"-14	9/16"-18	7.54	12.00	7.54	31.00	37.50	31.00	22
DAJCML07M-0806	3/4"-16	3/8"-19	3/4"-16	9.93	9.00	9.93	31.80	31.00	31.80	19
DAJCML07M-0808	3/4"-16	1/2"-14	3/4"-16	9.93	12.00	9.93	33.80	37.30	33.80	22
DAJCML07M-0812	3/4"-16	3/4"-14	3/4"-16	9.93	16.70	9.93	36.10	40.40	36.10	27
DAJCML07M-1006	7/8"-14	3/8"-19	7/8"-14	12.29	12.00	12.29	36.80	32.50	36.80	22
DAJCML07M-1008	7/8"-14	1/2"-14	7/8"-14	12.29	12.00	12.29	36.80	37.30	36.80	22
DAJCML07M-1010	7/8"-14	5/8"-14	7/8"-14	12.29	14.00	12.29	39.00	39.00	39.00	27
DAJCML07M-1012	7/8"-14	3/4"-14	7/8"-14	12.29	16.70	12.29	39.12	40.39	39.12	27
DAJCML07M-1016	7/8"-14	1"-11	7/8"-14	12.29	22.20	12.29	41.70	50.00	41.70	33
DAJCML07M-1206	1-1/16"-12	3/8"-19	1-1/16"-12	15.47	9.00	15.47	42.20	36.00	42.20	27
DAJCML07M-1208	1-1/16"-12	1/2"-14	1-1/16"-12	15.47	12.00	15.47	42.20	40.40	42.20	27
DAJCML07M-1212	1-1/16"-12	3/4"-14	1-1/16"-12	15.47	16.70	15.47	42.20	40.40	42.20	27
DAJCML07M-1220	1-1/16"-12	1-1/4"-11	1-1/16"-12	15.47	28.60	15.47	50.00	60.50	50.00	41
DAJCML07M-1608	1-5/16"-12	1/2"-14	1-5/16"-12	21.44	12.00	21.44	46.00	45.00	46.00	33
DAJCML07M-1612	1-5/16"-12	3/4"-14	1-5/16"-12	21.44	16.70	21.44	46.00	45.20	46.00	33
DAJCML07M-1616	1-5/16"-12	1"-11	1-5/16"-12	21.44	22.20	21.44	46.00	50.00	46.00	33
DAJCML07M-1620	1-5/16"-12	1-1/4"-11	1-5/16"-12	21.44	28.60	21.44	51.10	60.50	51.10	41
DAJCML07M-2016	1-5/8"-12	1"-11	1-5/8"-12	27.38	22.20	27.38	52.30	59.70	52.30	41
DAJCML07M-2020	1-5/8"-12	1-1/4"-11	1-5/8"-12	27.38	28.60	27.38	52.30	60.00	52.30	41
DAJCML07M-2024	1-5/8"-12	1-1/2"-11	1-5/8"-12	27.38	33.30	27.38	56.00	67.10	56.00	48
DAJCML07M-2424	1-7/8"-12	1-1/2"-11	1-7/8"-12	33.32	33.30	33.32	59.20	67.10	59.20	48
DAJCML07M-2432	1-7/8"-12	2"-11	1-7/8"-12	33.32	46.00	33.32	71.40	76.20	71.40	65
DAJCML07M-3224	2-1/2"-12	1-1/2"-11	2-1/2"-12	45.24	33.30	45.24	77.70	75.40	77.70	63.5
DAJCML07M-3232	2-1/2"-12	2"-11	2-1/2"-12	45.24	46.00	45.24	77.70	76.20	77.70	65

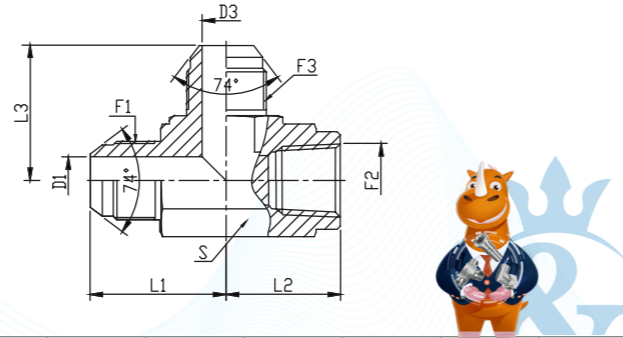


# DAJCML28F

Run Tee Connector JIC Male – NPTF Female



- DME&JDE Code:** DAJCML28F
- Product Type:** Hydraulic adaptor
- Standard:** JIC and SAE-ORB
- Structure:** Run Tee
- Adaptor Connection Type:** Male x Female x Male
- Thread Types:** UNF x NPTF x UNF



PART NUMBER	F1 (Thread)	F3 (Thread)	F2 (Thread)	D1	D3	L1	L2	L3	S	Hex
#	UNF	UNF	NPTF	mm	mm	mm	mm	mm	-	-
DAJCML28F-0402	7/16"-20	7/16"-20	1/8"-27	4.37	4.37	27.40	16.80	27.40	14 mm	Metric
DAJCML28F-0404	7/16"-20	7/16"-20	1/4"-18	4.37	4.37	31.00	22.40	31.00	19 mm	Metric
DAJCML28F-0402IN	7/16"-20	7/16"-20	1/8"-27	4.37	4.37	27.40	16.80	27.40	9/16"	Imperial
DAJCML28F-0404IN	7/16"-20	7/16"-20	1/4"-18	4.37	4.37	31.00	22.40	31.00	3/4"	Imperial
DAJCML28F-0502	1/2"-20	1/2"-20	1/8"-27	5.94	5.94	27.40	16.80	27.40	14 mm	Metric
DAJCML28F-0504	1/2"-20	1/2"-20	1/4"-18	5.94	5.94	31.00	22.40	31.00	19 mm	Metric
DAJCML28F-0502IN	1/2"-20	1/2"-20	1/8"-27	5.94	5.94	27.40	16.80	27.40	9/16"	Imperial
DAJCML28F-0504IN	1/2"-20	1/2"-20	1/4"-18	5.94	5.94	31.00	22.40	31.00	3/4"	Imperial
DAJCML28F-0602	1/2"-20	1/2"-20	1/8"-27	7.54	7.54	31.20	17.00	31.20	14 mm	Metric
DAJCML28F-0604	9/16"-18	9/16"-18	1/4"-18	7.54	7.54	31.20	22.40	31.20	19 mm	Metric
DAJCML28F-0606	9/16"-18	9/16"-18	3/8"-18	7.54	7.54	33.30	25.90	33.30	22 mm	Metric
DAJCML28F-0608	9/16"-18	9/16"-18	1/2"-14	7.54	7.54	35.80	31.20	35.80	27 mm	Metric
DAJCML28F-0602IN	1/2"-20	1/2"-20	1/8"-27	7.54	7.54	31.20	17.00	31.20	9/16"	Imperial
DAJCML28F-0604IN	9/16"-18	9/16"-18	1/4"-18	7.54	7.54	31.20	22.40	31.20	3/4"	Imperial
DAJCML28F-0606IN	9/16"-18	9/16"-18	3/8"-18	7.54	7.54	33.30	25.90	33.30	7/8"	Imperial
DAJCML28F-0608IN	9/16"-18	9/16"-18	1/2"-14	7.54	7.54	35.80	31.20	35.80	1-1/16"	Imperial

DAJCML28F-0804	3/4"-16	3/4"-16	1/4"-18	9.93	9.93	36.10	25.90	36.10	22 mm	Metric
DAJCML28F-0806	3/4"-16	3/4"-16	3/8"-18	9.93	9.93	36.10	25.90	36.10	22 mm	Metric
DAJCML28F-0808	3/4"-16	3/4"-16	1/2"-14	9.93	9.93	38.60	31.20	38.60	27 mm	Metric
DAJCML28F-0812	3/4"-16	3/4"-16	3/4"-14	9.93	9.93	41.90	34.50	41.90	33 mm	Metric
DAJCML28F-0804IN	3/4"-16	3/4"-16	1/4"-18	9.93	9.93	36.10	25.90	36.10	7/8"	Imperial
DAJCML28F-0806IN	3/4"-16	3/4"-16	3/8"-18	9.93	9.93	36.10	25.90	36.10	7/8"	Imperial
DAJCML28F-0808IN	3/4"-16	3/4"-16	1/2"-14	9.93	9.93	38.60	31.20	38.60	1-1/16"	Imperial
DAJCML28F-0812IN	3/4"-16	3/4"-16	3/4"-14	9.93	9.93	41.90	34.50	41.90	1-5/16"	Imperial
DAJCML28F-1008	7/8"-14	7/8"-14	1/2"-14	12.29	12.29	41.70	31.20	41.70	27 mm	Metric
DAJCML28F-1012	7/8"-14	7/8"-14	3/4"-14	12.29	12.29	44.80	34.50	44.80	33 mm	Metric
DAJCML28F-1008IN	7/8"-14	7/8"-14	1/2"-14	12.29	12.29	41.70	31.20	41.70	1-1/16"	Imperial
DAJCML28F-1012IN	7/8"-14	7/8"-14	3/4"-14	12.29	12.29	44.80	34.50	44.80	1-5/16"	Imperial
DAJCML28F-1208	1-1/16"-12	1-1/16"-12	1/2"-14	15.47	15.47	42.20	31.20	42.20	27 mm	Metric
DAJCML28F-1212	1-1/16"-12	1-1/16"-12	3/4"-14	15.47	15.47	48.00	34.50	48.00	33 mm	Metric
DAJCML28F-1216	1-1/16"-12	1-1/16"-12	1"-11-1/2	15.47	15.47	53.90	41.20	53.90	41 mm	Metric
DAJCML28F-1208IN	1-1/16"-12	1-1/16"-12	1/2"-14	15.47	15.47	42.20	31.20	42.20	1-1/16"	Imperial
DAJCML28F-1212IN	1-1/16"-12	1-1/16"-12	3/4"-14	15.47	15.47	48.00	34.50	48.00	1-5/16"	Imperial
DAJCML28F-1216IN	1-1/16"-12	1-1/16"-12	1"-11-1/2	15.47	15.47	53.90	41.20	53.90	1-5/8"	Imperial
DAJCML28F-1412	1-3/16"-12	1-3/16"-12	3/4"-14	18.26	18.26	47.20	36.00	47.20	33 mm	Metric
DAJCML28F-1412IN	1-3/16"-12	1-3/16"-12	3/4"-14	18.26	18.26	47.20	36.00	47.20	1-5/16"	Imperial
DAJCML28F-1612	1-5/16"-12	1-5/16"-12	3/4"-14	21.44	21.44	55.10	35.40	55.10	33 mm	Metric
DAJCML28F-1616	1-5/16"-12	1-5/16"-12	1"-11-1/2	21.44	21.44	55.10	41.20	55.10	41 mm	Metric
DAJCML28F-1612IN	1-5/16"-12	1-5/16"-12	3/4"-14	21.44	21.44	55.10	35.40	55.10	1-5/16"	Imperial
DAJCML28F-1616IN	1-5/16"-12	1-5/16"-12	1"-11-1/2	21.44	21.44	55.10	41.20	55.10	1-5/8"	Imperial
DAJCML28F-2020	1-5/8"-12	1-5/8"-12	1-1/4"-11-1/2	27.38	27.38	59.20	43.20	59.20	48 mm	Metric
DAJCML28F-2020IN	1-5/8"-12	1-5/8"-12	1-1/4"-11-1/2	27.38	27.38	59.20	43.20	59.20	1-7/8"	Imperial
DAJCML28F-2424	1-7/8"-12	1-7/8"-12	1-1/2"-11-1/2	33.32	33.32	73.40	52.80	73.40	65 mm	Metric
DAJCML28F-2424IN	1-7/8"-12	1-7/8"-12	1-1/2"-11-1/2	33.32	33.32	73.40	52.80	73.40	2-9/16"	Imperial
DAJCML28F-3232	2-1/2"-12	2-1/2"-12	2"-11-1/2	45.24	45.24	83.80	60.70	83.80	70 mm	Metric
DAJCML28F-3232IN	2-1/2"-12	2-1/2"-12	2"-11-1/2	45.24	45.24	83.80	60.70	83.80	2-13/16"	Imperial



## DAJCML05F

Run Tee Connector JIC Male – BSPP Fixed Female

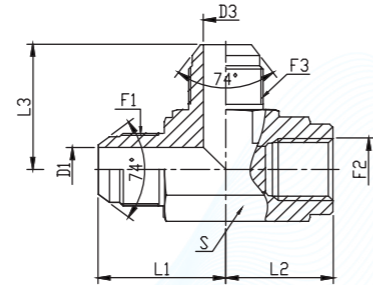
<b>D</b>	<b>A</b>	<b>JC</b>	<b>M</b>	<b>L</b>	<b>05</b>	<b>F</b>
Company	Product Range	Thread Types	Connection Type	Adaptor Structure	Thread Types	Connection Type
<b>DME</b>	Adaptor	JIC UNF	Male	Run Tee	BSPP	Female

German Technology Equipment

**SHIELD FLEX**

New-Standard

- DME&JDE Code: **DAJCML05F**
- Product Type: **Hydraulic adaptor**
- Standard: **JIC and SAE-ORB**
- Structure: **Run Tee**
- Connection Type: **Male x Fixed Female**
- Thread Types: **UNF x UNF x BSPP**



PART NUMBER	F1 (Thread)	F3 (Thread)	F2 (Thread)	D1	D3	L1	L2	L3	S
#	UNF	UNF	BSPP	mm	mm	mm	mm	mm	mm
DAJCML05F-0402	7/16"-20	7/16"-20	1/8"-28	4.37	4.37	27.40	16.80	27.40	14
DAJCML05F-0404	7/16"-20	7/16"-20	1/4"-19	4.37	4.37	31.00	22.40	31.00	19
DAJCML05F-0502	1/2"-20	1/2"-20	1/8"-28	5.94	5.94	27.40	16.80	27.40	14
DAJCML05F-0504	1/2"-20	1/2"-20	1/4"-19	5.94	5.94	31.00	22.40	31.00	19
DAJCML05F-0602	1/2"-20	1/2"-20	1/8"-28	7.54	7.54	31.20	17.00	31.20	14
DAJCML05F-0604	9/16"-18	9/16"-18	1/4"-19	7.54	7.54	31.20	22.40	31.20	19
DAJCML05F-0606	9/16"-18	9/16"-18	3/8"-19	7.54	7.54	33.30	25.90	33.30	22
DAJCML05F-0608	9/16"-18	9/16"-18	1/2"-14	7.54	7.54	35.80	31.20	35.80	27
DAJCML05F-0804	3/4"-16	3/4"-16	1/4"-19	9.93	9.93	36.10	25.70	36.10	19
DAJCML05F-0806	3/4"-16	3/4"-16	3/8"-19	9.93	9.93	36.10	25.90	36.10	22
DAJCML05F-0808	3/4"-16	3/4"-16	1/2"-14	9.93	9.93	38.60	31.20	38.60	27
DAJCML05F-0812	3/4"-16	3/4"-16	3/4"-14	9.93	9.93	41.90	34.50	41.90	33
DAJCML05F-1008	7/8"-14	7/8"-14	1/2"-14	12.29	12.29	41.70	31.20	41.70	27
DAJCML05F-1208	1-1/16"-12	1-1/16"-12	1/2"-14	15.47	15.47	48.00	34.30	48.00	27
DAJCML05F-1212	1-1/16"-12	1-1/16"-12	3/4"-14	15.47	15.47	48.00	34.50	48.00	33
DAJCML05F-1612	1-5/16"-12	1-5/16"-12	3/4"-14	21.44	21.44	55.10	35.30	55.10	33
DAJCML05F-1616	1-5/16"-12	1-5/16"-12	1"-11	21.44	21.44	55.10	41.20	55.10	41
DAJCML05F-2020	1-5/8"-12	1-5/8"-12	1-1/4"-11	27.38	27.38	59.20	43.20	59.20	48
DAJCML05F-2424	1-7/8"-12	1-7/8"-12	1-1/2"-11	33.32	33.32	73.40	52.80	73.40	65
DAJCML05F-3232	2-1/2"-12	2-1/2"-12	2"-11	45.24	45.24	83.80	60.70	83.80	70

## DAJCML25T

Run Bulkhead Tee Connector JIC Male – JIC Male

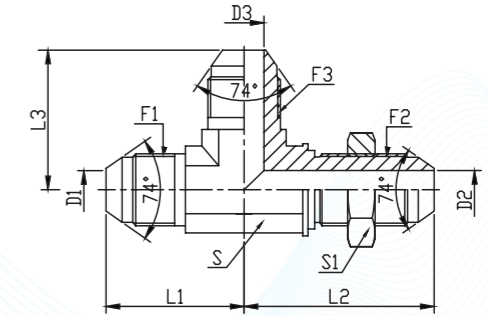
<b>D</b>	<b>A</b>	<b>JC</b>	<b>M</b>	<b>L</b>	<b>25</b>	<b>T</b>
Company	Product Range	Thread Types	Connection Type	Adaptor Structure	Thread Types	Connection Type
<b>DME</b>	Adaptor	JIC UNF	Male	Branch Tee	JIC UNF	Bulkhead Male

German Technology Equipment

**SHIELD FLEX**

New-Standard

- DME&JDE Code: **DAJCML25T**
- Product Type: **Hydraulic adaptor**
- Standard: **JIC and SAE-ORB**
- Structure: **Run Tee**
- Connection Type: **Adjustable Male x Male x Male**
- Thread Types: **UNF x UNF x UNF**
- Other Features: **Bulkhead**



PART NUMBER	F1 (Thread)	F2 (Thread)	F3 (Thread)	L1	L3	L2	D1	D2	D3	S	S1	Hex
#	UNF	UNF	UNF	mm	mm	mm	mm	mm	mm	-	-	-
DAJCML25T-0303	3/8"-24	3/8"-24	3/8"-24	23.88	23.88	38.10	3.18	3.18	3.18	11 mm	16 mm	Metric
DAJCML25T-0303IN	3/8"-24	3/8"-24	3/8"-24	23.88	23.88	38.10	3.18	3.18	3.18	7/16"	5/8"	Imperial
DAJCML25T-0404	7/16"-20	7/16"-20	7/16"-20	24.60	24.60	40.40	4.37	4.37	4.37	11 mm	17 mm	Metric
DAJCML25T-0404IN	7/16"-20	7/16"-20	7/16"-20	24.60	24.60	40.40	4.37	4.37	4.37	7/16"	11/16"	Imperial
DAJCML25T-0505	1/2"-20	1/2"-20	1/2"-20	26.90	26.90	43.70	5.94	5.94	5.94	14 mm	19 mm	Metric
DAJCML25T-0505IN	1/2"-20	1/2"-20	1/2"-20	26.90	26.90	43.70	5.94	5.94	5.94	9/16"	3/4"	Imperial
DAJCML25T-0606	9/16"-18	9/16"-18	9/16"-18	27.70	27.70	46.00	7.54	7.54	7.54	14 mm	22 mm	Metric
DAJCML25T-0606IN	9/16"-18	9/16"-18	9/16"-18	27.70	27.70	46.00	7.54	7.54	7.54	9/16"	13/16"	Imperial
DAJCML25T-0808	3/4"-16	3/4"-16	3/4"-16	34.50	34.50	53.60	9.93	9.93	9.93	19 mm	24 mm	Metric
DAJCML25T-0808IN	3/4"-16	3/4"-16	3/4"-16	34.50	34.50	53.60	9.93	9.93	9.93	3/4"	1"	Imperial
DAJCML25T-1010	7/8"-14	7/8"-14	7/8"-14	39.60	39.60	60.70	12.29	12.29	12.29	22 mm	30 mm	Metric
DAJCML25T-1010IN	7/8"-14	7/8"-14	7/8"-14	39.60	39.60	60.70	12.29	12.29	12.29	7/8"	1-1/8"	Imperial
DAJCML25T-1212	1-1/16"-12	1-1/16"-12	1-1/16"-12	45.20	45.20	67.80	15.47	15.47	15.47	27 mm	36 mm	Metric
DAJCML25T-1212IN	1-1/16"-12	1-1/16"-12	1-1/16"-12	45.20	45.20	67.80	15.47	15.47	15.47	1-1/16"	1-3/8"	Imperial
DAJCML25T-1616	1-5/16"-12	1-5/16"-12	1-5/16"-12	49.30	49.30	71.10	21.44	21.44	21.44	33 mm	41 mm	Metric
DAJCML25T-1616IN	1-5/16"-12	1-5/16"-12	1-5/16"-12	49.30	49.30	71.10	21.44	21.44	21.44	1-5/16"	1-5/8"	Imperial
DAJCML25T-2020	1-5/8"-12	1-5/8"-12	1-5/8"-12	55.10	55.10	79.30	27.38	27.38	27.38	41 mm	50 mm	Metric
DAJCML25T-2020IN	1-5/8"-12	1-5/8"-12	1-5/8"-12	55.10	55.10	79.30	27.38	27.38	27.38	1-5/8"	1-7/8"	Imperial
DAJCML25T-2424	1-7/8"-12	1-7/8"-12	1-7/8"-12	59.40	59.40	86.90	33.32	33.32	33.32	48 mm	55 mm	Metric
DAJCML25T-2424IN	1-7/8"-12	1-7/8"-12	1-7/8"-12	59.40	59.40	86.90	33.32	33.32	33.32	1-7/8"	2-1/8"	Imperial
DAJCML25T-3232	2-1/2"-12	2-1/2"-12	2-1/2"-12	73.40	73.40	104.40	45.24	45.24	45.24	65 mm	70 mm	Metric
DAJCML25T-3232IN	2-1/2"-12	2-1/2"-12	2-1/2"-12	73.40	73.40	104.40	45.24	45.24	45.24	2-1/2"	2-3/4"	Imperial



## DAJCMX25M

Cross Connector JIC Male – JIC Male

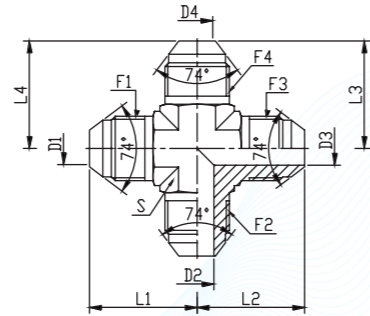
<b>D</b>	<b>A</b>	<b>JC</b>	<b>M</b>	<b>X</b>	<b>25</b>	<b>M</b>
Company	Product Range	Thread Types	Connection Type	Adaptor Structure	Thread Types	Connection Type
<b>DME</b>	Adaptor	JIC UNF	Male	Cross	JIC UNF	Male

German Technology Equipment

**SHIELD FLEX**

New-Standard

- DME&JDE Code: **DAJCMX25M**
- Product Type: **Hydraulic adaptor**
- Standard: **JIC and SAE-ORB**
- Structure: **Cross**
- Connection Type: **Male x Male x Male x Male**
- Thread Types: **UNF x UNF x UNF x UNF**



PART NUMBER	F1/F2/F3/F4 (Thread)	L1/L2/L3/L4	D1/D2/D3/D4	S	Hex
#	UNF	mm	mm	-	-
DAJCMX25M-0202	5/16"-24	19.60	1.57	11 mm	Metric
DAJCMX25M-0202IN	5/16"-24	19.60	1.57	7/16"	Imperial
DAJCMX25M-0404	7/16"-20	22.60	4.37	11 mm	Metric
DAJCMX25M-0404IN	7/16"-20	22.60	4.37	7/16"	Imperial
DAJCMX25M-0505	1/2"-20	24.10	5.94	14 mm	Metric
DAJCMX25M-0505IN	1/2"-20	24.10	5.94	9/16"	Imperial
DAJCMX25M-0606	9/16"-18	26.90	7.54	14 mm	Metric
DAJCMX25M-0606IN	9/16"-18	26.90	7.54	9/16"	Imperial
DAJCMX25M-0808	3/4"-16	31.80	9.93	19 mm	Metric
DAJCMX25M-0808IN	3/4"-16	31.80	9.93	3/4"	Imperial
DAJCMX25M-1010	7/8"-14	36.80	12.29	22 mm	Metric
DAJCMX25M-1010IN	7/8"-14	36.80	12.29	7/8"	Imperial
DAJCMX25M-1212	1-1/16"-12	42.20	15.47	27 mm	Metric
DAJCMX25M-1212IN	1-1/16"-12	42.20	15.47	1-1/16"	Imperial
DAJCMX25M-1414	1-3/16"-12	45.70	18.26	33 mm	Metric
DAJCMX25M-1414IN	1-3/16"-12	45.70	18.26	1-5/16"	Imperial
DAJCMX25M-1616	1-5/16"-12	46.00	21.44	33 mm	Metric
DAJCMX25M-1616IN	1-5/16"-12	46.00	21.44	1-5/16"	Imperial
DAJCMX25M-2020	1-5/8"-12	52.30	27.38	41 mm	Metric
DAJCMX25M-2020IN	1-5/8"-12	52.30	27.38	1-5/8"	Imperial
DAJCMX25M-2424	1-7/8"-12	59.20	33.32	48 mm	Metric
DAJCMX25M-2424IN	1-7/8"-12	59.20	33.32	1-7/8"	Imperial
DAJCMX25M-3232	2-1/2"-12	77.70	45.24	65 mm	Metric
DAJCMX25M-3232IN	2-1/2"-12	77.70	45.24	2-1/2"	Imperial

## DAUNM1305

Straight Connector SAE Male + O Ring – SAE Male + O Ring

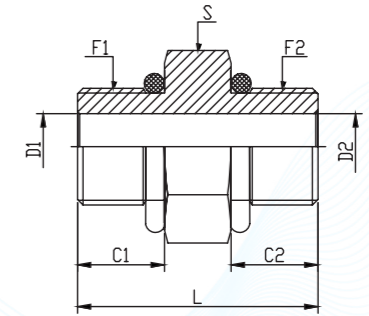
<b>D</b>	<b>A</b>	<b>UN</b>	<b>M</b>	<b>1</b>	<b>30</b>	<b>5</b>
Company	Product Range	Thread Types	Connection Type	Adaptor Structure	Thread Types	Connection Type
<b>DME</b>	Adaptor	SAE UNF	Male	Straight	SAE UNF	Male + O Ring

German Technology Equipment

**SHIELD FLEX**

New-Standard

- DME&JDE Code: **DAUNM1305**
- Product Type: **Hydraulic adaptor**
- Standard: **JIC and SAE-ORB**
- Structure: **Straight**
- Connection Type: **Male x Male**
- Thread Types: **UNF x UNF**
- Sealing Method: **O Ring**



PART NUMBER	F1 (Thread)	F2 (Thread)	C1	C2	D1	D2	L	S	Hex
#	UNF	UNF	mm	mm	mm	mm	mm	-	-
DAUNM1305-0404IN	7/16"-20	7/16"-20	9.14	9.14	4.37	4.37	25.40	9/16"	Imperial



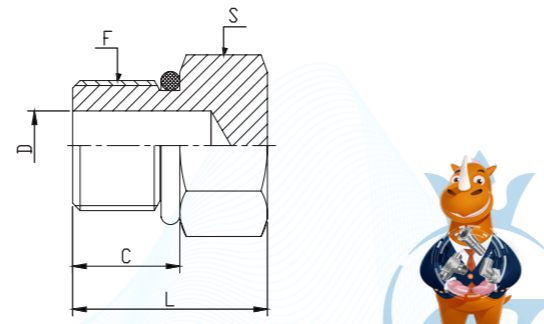
## DAUNM1000

Plug SAE Male O Ring

<b>D</b>	<b>A</b>	<b>JC</b>	<b>M</b>	<b>9</b>	<b>251</b>	<b>L</b>	<b>B</b>
Company	Product Range	Thread Types	Connection Type	Adaptor Structure	Connection Type	Elbow Length	Elbow Type
<b>DME</b>	Adaptor	JIC UNF	Male	90° Elbow	JIC Swivel Female	Long	Swept



- DME&JDE Code: **DAUNM1000**
- Product Type: **Hydraulic adaptor**
- Standard: **JIC and SAE-ORB**
- Connection Type: **Male**
- Thread Types: **UNF**
- Sealing Method: **O Ring**
- Other Features: **Nut/Plug**



PART NUMBER #	F (Thread) UNF	C mm	D mm	L mm	S -	Hex -
DAUNM1000-0200	5/16"-24	7.54	2.40	15.20	11 mm	Metric
DAUNM1000-0200IN	5/16"-24	7.54	2.40	15.20	7/16"	Imperial
DAUNM1000-0200 Without Hole	5/16"-24	7.54	N/A	15.20	7/16"	Imperial
DAUNM1000-0300	3/8"-24	7.54	3.18	15.20	12 mm	Metric
DAUNM1000-0300IN	3/8"-24	7.54	3.18	15.20	1/2"	Imperial
DAUNM1000-0300 Without Hole	3/8"-24	7.54	N/A	15.20	1/2"	Imperial
DAUNM1000-0400	7/16"-20	9.14	4.37	17.00	14 mm	Metric
DAUNM1000-0400IN	7/16"-20	9.14	4.37	17.00	9/16"	Imperial
DAUNM1000-0400 Without Hole	7/16"-20	9.14	N/A	17.00	9/16"	Imperial
DAUNM1000-0500	1/2"-20	9.14	5.94	17.00	17 mm	Metric
DAUNM1000-0500IN	1/2"-20	9.14	5.94	17.00	5/8"	Imperial
DAUNM1000-0500 Without Hole	1/2"-20	9.14	N/A	17.00	5/8"	Imperial
DAUNM1000-0600	9/16"-18	9.93	7.54	18.50	17 mm	Metric
DAUNM1000-0600IN	9/16"-18	9.93	7.54	18.50	11/16"	Imperial
DAUNM1000-0600 Without Hole	9/16"-18	9.93	N/A	18.50	11/16"	Imperial
DAUNM1000-0800	3/4"-16	11.13	9.93	20.30	22 mm	Metric
DAUNM1000-0800IN	3/4"-16	11.13	9.93	20.30	7/8"	Imperial
DAUNM1000-0800 Without Hole	3/4"-16	11.13	N/A	20.30	7/8"	Imperial
DAUNM1000-1000	7/8"-14	12.70	12.29	23.60	27 mm	Metric
DAUNM1000-1000IN	7/8"-14	12.70	12.29	23.60	1"	Imperial
DAUNM1000-1000 Without Hole	7/8"-14	12.70	N/A	23.60	1"	Imperial
DAUNM1000-1200	1-1/16"-12	15.09	16.66	27.70	32 mm	Metric
DAUNM1000-1200IN	1-1/16"-12	15.09	16.66	27.70	1-1/4"	Imperial
DAUNM1000-1200 Without Hole	1-1/16"-12	15.09	N/A	27.70	1-1/4"	Imperial
DAUNM1000-1400	1-3/16"-12	15.09	18.26	27.70	36 mm	Metric
DAUNM1000-1400IN	1-3/16"-12	15.09	18.26	27.70	1-3/8"	Imperial
DAUNM1000-1400 Without Hole	1-3/16"-12	15.09	M/A	27.70	1-3/8"	Imperial
DAUNM1000-1600	1-5/16"-12	15.09	21.44	28.40	41 mm	Metric
DAUNM1000-1600IN	1-5/16"-12	15.09	21.44	28.40	1-1/2"	Imperial
DAUNM1000-1600 Without Hole	1-5/16"-12	15.09	N/A	28.40	1-1/2"	Imperial
DAUNM1000-2000	1-5/8"-12	15.09	27.38	30.50	50 mm	Metric
DAUNM1000-2000IN	1-5/8"-12	15.09	27.38	30.50	1-7/8"	Imperial
DAUNM1000-2000 Without Hole	1-5/8"-12	15.09	N/A	30.50	1-7/8"	Imperial
DAUNM1000-2400	1-7/8"-12	15.09	34.14	32.30	55 mm	Metric
DAUNM1000-2400IN	1-7/8"-12	15.09	34.14	32.30	2-1/8"	Imperial
DAUNM1000-2400 Without Hole	1-7/8"-12	15.09	N/A	32.30	2-1/8"	Imperial
DAUNM1000-3200	2-1/2"-12	15.09	45.25	36.30	70 mm	Metric
DAUNM1000-3200IN	2-1/2"-12	15.09	45.25	36.30	2-3/4"	Imperial
DAUNM1000-3200 Without Hole	2-1/2"-12	15.09	N/A	36.30	2-3/4"	Imperial

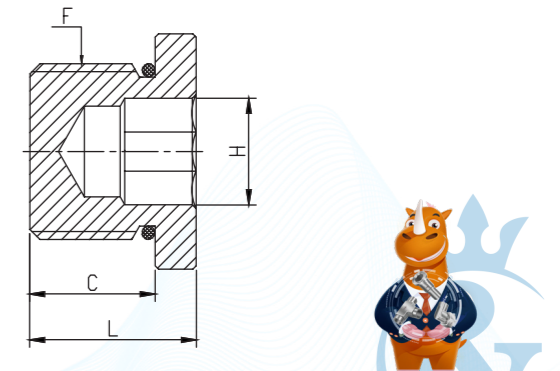


## DVSTI-UN

Hexagon Socket SAE Male O Ring Plug



- DME&JDE Code: **DVSTI-UN**
- Product Type: **Hydraulic adaptor**
- Standard: **JIC and SAE-ORB**
- Structure: **Plug**
- Connection Type: **Male**
- Thread Types: **UNF**
- Sealing Method: **O Ring**
- Other Features: **Hexagon**



PART NUMBER #	F (Thread) -	C mm	L mm	H Inch
DVSTI-02UN	5/16"-24	7.54	10.20	1/8"
DVSTI-03UN	3/8"-24	7.54	10.20	1/8"
DVSTI-04UN	7/16"-20	9.14	11.90	3/16"
DVSTI-05UN	1/2"-20	9.14	12.06	3/16"
DVSTI-06UN	9/16"-18	9.93	12.70	1/4"
DVSTI-08UN	3/4"-16	11.13	14.70	5/16"
DVSTI-10UN	7/8"-14	12.70	16.50	3/8"
DVSTI-12UN	1-1/16"-12	15.09	19.50	9/16"
DVSTI-14UN	1-3/16"-12	15.09	19.60	9/16"
DVSTI-16UN	1-5/16"-12	15.09	19.50	5/8"
DVSTI-20UN	1-5/8"-12	15.09	19.50	3/4"
DVSTI-24UN	1-7/8"-12	15.09	19.50	3/4"
DVSTI-32UN	2-1/2"-12	15.09	19.69	3/4"



# DAUNM1305B

Straight Adjustable Connector SAE Male – SAE Male + O Ring

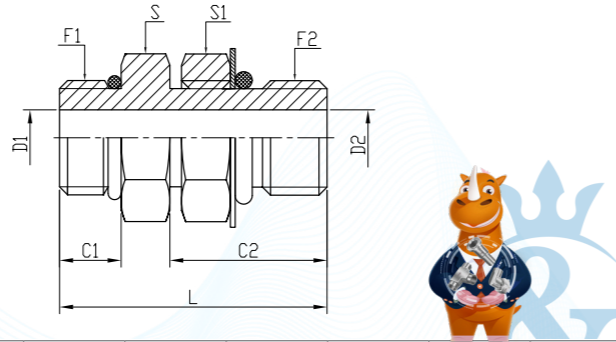
<b>D</b>	<b>A</b>	<b>UN</b>	<b>M</b>	<b>1</b>	<b>30</b>	<b>5</b>	<b>B</b>
Company	Product Range	Thread Types	Connection Type	Adaptor Structure	Thread Types	Sealing Type	Connection Type
<b>DME</b>	Adaptor	SAE UNF	Male	Straight	SAE	Male + O Ring	Adjustable

**German Technology Equipment**

**SHIELD FLEX**

New-Standard

- DME&JDE Code: **DAUNM1305B**
- Product Type: **Hydraulic adaptor**
- Adaptor Standard: **JIC and SAE-ORB**
- Structure: **Straight**
- Connection Type: **Adjustable Male x Male**
- Thread Types: **UNF x UNF**
- Sealing Method: **O Ring**



PART NUMBER	F1 (Thread)	F2 (Thread)	C1	C2	D1	D2	L	S	S1	Hex
#	UNF	UNF	mm	mm	mm	mm	mm	-	-	-
DAUNM1305B-0404	7/16"-20	7/16"-20	9.14	20.50	4.37	4.37	34.80	14 mm	14 mm	Metric
DAUNM1305B-0406	7/16"-20	9/16"-18	9.14	21.17	4.37	7.54	39.50	17 mm	17 mm	Metric
DAUNM1305B-0404IN	7/16"-20	7/16"-20	9.14	20.50	4.37	4.37	34.80	9/16"	9/16"	Imperial
DAUNM1305B-0406IN	7/16"-20	9/16"-18	9.14	21.17	4.37	7.54	39.50	11/16"	11/16"	Imperial
DAUNM1305B-0505	1/2"-20	1/2"-20	9.14	20.50	5.94	5.94	36.80	17 mm	17 mm	Metric
DAUNM1305B-0505IN	1/2"-20	1/2"-20	9.14	20.50	5.94	5.94	36.80	5/8"	5/8"	Imperial
DAUNM1305B-0604	9/16"-18	7/16"-20	9.93	18.50	7.54	4.37	37.00	17 mm	14 mm	Metric
DAUNM1305B-0606	9/16"-18	9/16"-18	9.93	19.05	7.54	7.54	39.62	17 mm	17 mm	Metric
DAUNM1305B-0608	9/16"-18	3/4"-16	9.93	24.30	7.54	9.93	43.70	22 mm	22 mm	Metric
DAUNM1305B-0604IN	9/16"-18	7/16"-20	9.93	18.50	7.54	4.37	37.00	11/16"	9/16"	Imperial
DAUNM1305B-0606IN	9/16"-18	9/16"-18	9.93	19.05	7.54	7.54	39.62	11/16"	11/16"	Imperial
DAUNM1305B-0608IN	9/16"-18	3/4"-16	9.93	24.30	7.54	9.93	43.70	7/8"	7/8"	Imperial
DAUNM1305B-0806	3/4"-16	9/16"-18	11.13	21.17	9.93	7.54	40.70	22 mm	17 mm	Metric
DAUNM1305B-0808	3/4"-16	3/4"-16	11.13	22.20	9.93	9.93	39.62	22 mm	22 mm	Metric
DAUNM1305B-0810	3/4"-16	7/8"-14	11.13	27.78	9.93	12.29	50.50	27 mm	27 mm	Metric
DAUNM1305B-0812	3/4"-16	1-1/16"-12	11.13	32.17	9.93	15.47	55.90	32 mm	32 mm	Metric
DAUNM1305B-0806IN	3/4"-16	9/16"-18	11.13	21.17	9.93	7.54	40.70	7/8"	11/16"	Imperial
DAUNM1305B-0808IN	3/4"-16	3/4"-16	11.13	22.20	9.93	9.93	39.62	7/8"	7/8"	Imperial

Web: <https://www.dmejde.com>  
E-mail: [info@dmejde.com](mailto:info@dmejde.com)



Certificate:

DAUNM1305B-0810IN	3/4"-16	7/8"-14	11.13	27.78	9.93	12.29	50.50	1"	1"	Imperial
DAUNM1305B-0812IN	3/4"-16	1-1/16"-12	11.13	32.17	9.93	15.47	55.90	1-1/4"	1-1/4"	Imperial
DAUNM1305B-1008	7/8"-14	3/4"-16	12.70	24.22	12.29	9.93	45.80	27 mm	22 mm	Metric
DAUNM1305B-1010	7/8"-14	7/8"-14	12.70	27.78	12.29	12.29	51.82	27 mm	27 mm	Metric
DAUNM1305B-1012	7/8"-14	1-1/16"-12	12.70	29.46	12.29	15.47	54.10	32 mm	32 mm	Metric
DAUNM1305B-1008IN	7/8"-14	3/4"-16	12.70	24.22	12.29	9.93	45.80	1"	7/8"	Imperial
DAUNM1305B-1010IN	7/8"-14	7/8"-14	12.70	27.78	12.29	12.29	51.82	1"	1"	Imperial
DAUNM1305B-1012IN	7/8"-14	1-1/16"-12	12.70	29.46	12.29	15.47	54.10	1-1/4"	1-1/4"	Imperial
DAUNM1305B-1208	1-1/16"-12	3/4"-16	15.09	24.22	15.47	9.93	52.00	32 mm	22 mm	Metric
DAUNM1305B-1210	1-1/16"-12	7/8"-14	15.09	27.78	15.47	12.29	54.10	32 mm	27 mm	Metric
DAUNM1305B-1212	1-1/16"-12	1-1/16"-12	15.09	32.17	15.47	15.47	59.18	32 mm	32 mm	Metric
DAUNM1305B-1216	1-1/16"-12	1-5/16"-12	15.09	32.17	15.47	21.44	59.94	36 mm	41 mm	Metric
DAUNM1305B-1208IN	1-1/16"-12	3/4"-16	15.09	24.22	15.47	9.93	52.00	1-1/4"	7/8"	Imperial
DAUNM1305B-1210IN	1-1/16"-12	7/8"-14	15.09	27.78	15.47	12.29	54.10	1-1/4"	1"	Imperial
DAUNM1305B-1212IN	1-1/16"-12	1-1/16"-12	15.09	32.17	15.47	15.47	59.18	1-1/4"	1-1/4"	Imperial
DAUNM1305B-1216IN	1-1/16"-12	1-5/16"-12	15.09	32.17	15.47	21.44	59.94	1-3/8"	1-1/2"	Imperial
DAUNM1305B-1612	1-5/16"-12	1-1/16"-12	15.09	29.00	21.44	15.47	57.00	41 mm	32 mm	Metric
DAUNM1305B-1616	1-5/16"-12	1-5/16"-12	15.09	32.17	21.44	21.44	59.94	41 mm	41 mm	Metric
DAUNM1305B-1612IN	1-5/16"-12	1-1/16"-12	15.09	29.00	21.44	15.47	57.00	1-1/2"	1-1/4"	Imperial
DAUNM1305B-1616IN	1-5/16"-12	1-5/16"-12	15.09	32.17	21.44	21.44	59.94	1-1/2"	1-1/2"	Imperial
DAUNM1305B-2016	1-5/8"-12	1-5/16"-12	15.09	32.17	27.38	21.44	58.60	50 mm	41 mm	Metric
DAUNM1305B-2020	1-5/8"-12	1-5/8"-12	15.09	29.46	27.38	27.38	58.67	50 mm	50 mm	Metric
DAUNM1305B-2024	1-5/8"-12	1-7/8"-12	15.09	28.96	27.38	33.32	61.00	50 mm	55 mm	Metric
DAUNM1305B-2016IN	1-5/8"-12	1-5/16"-12	15.09	32.17	27.38	21.44	58.60	1-7/8"	1-1/2"	Imperial
DAUNM1305B-2020IN	1-5/8"-12	1-5/8"-12	15.09	29.46	27.38	27.38	58.67	1-7/8"	1-7/8"	Imperial
DAUNM1305B-2024IN	1-5/8"-12	1-7/8"-12	15.09	28.96	27.38	33.32	61.00	2"	2-1/8"	Imperial
DAUNM1305B-2420	1-7/8"-12	1-5/8"-12	15.09	32.20	33.32	27.38	61.00	55 mm	50 mm	Metric
DAUNM1305B-2424	1-7/8"-12	1-7/8"-12	15.09	28.96	33.32	33.32	56.80	55 mm	55 mm	Metric
DAUNM1305B-2420IN	1-7/8"-12	1-5/8"-12	15.09	32.20	33.32	27.38	61.00	2-1/8"	1-7/8"	Imperial
DAUNM1305B-2424IN	1-7/8"-12	1-7/8"-12	15.09	28.96	33.32	33.32	56.80	2-1/8"	2-1/8"	Imperial
DAUNM1305B-3232	2-1/2"-12	2-1/2"-12	15.09	32.00	45.24	45.24	66.80	70 mm	70 mm	Metric
DAUNM1305B-3232IN	2-1/2"-12	2-1/2"-12	15.09	32.00	45.24	45.24	66.80	2-3/4"	2-3/4"	Imperial

Certificate:

Web: <https://www.dmejde.com>  
E-mail: [info@dmejde.com](mailto:info@dmejde.com)



# DAUNF1305

Straight Connector SAE Female O Ring – SAE Male O Ring

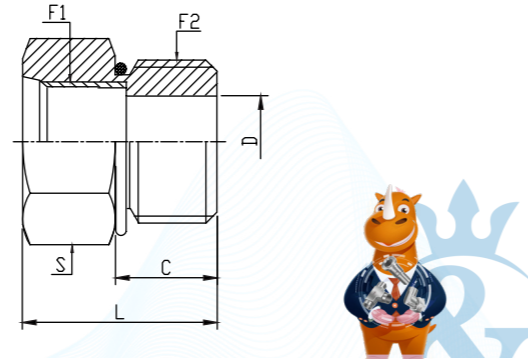
<b>D</b>	<b>A</b>	<b>UN</b>	<b>F</b>	<b>1</b>	<b>30</b>	<b>5</b>
Company	Product Range	Thread Types	Connection Type	Adaptor Structure	Thread Types	Connection Type
<b>DME</b>	Adaptor	SAE UNF	Female	Straight	SAE UNF	Male + O Ring

German Technology Equipment

**SHIELD FLEX**

New-Standard

- DME&JDE Code: **DAUNF1305**
- Product Type: **Hydraulic adaptor**
- Adaptor Standard: **JIC and SAE-ORB**
- Structure: **Straight**
- Connection Type: **Female x Male**
- Thread Types: **UNF x UNF**
- Sealing Method: **O Ring**



PART NUMBER	F1 (Thread)	F2 (Thread)	C	D	L	S	Hex
#	UNF	UNF	mm	mm	mm	-	-
DAUNF1305-0304	3/8"-24	7/16"-20	9.14	4.37	27.90	17 mm	Metric
DAUNF1305-0308	3/8"-24	3/4"-16	11.13	7.92	20.32	22 mm	Metric
DAUNF1305-0304IN	3/8"-24	7/16"-20	9.14	4.37	27.90	5/8"	Imperial
DAUNF1305-0308IN	3/8"-24	3/4"-16	11.13	7.92	20.32	7/8"	Imperial
DAUNF1305-0402	7/16"-20	5/16"-24	7.54	1.60	28.70	17 mm	Metric
DAUNF1305-0403	7/16"-20	3/8"-24	7.54	3.18	28.70	17 mm	Metric
DAUNF1305-0404	7/16"-20	7/16"-20	9.14	4.37	28.10	17 mm	Metric
DAUNF1305-0405	7/16"-20	1/2"-20	9.14	5.94	27.40	17 mm	Metric
DAUNF1305-0406	7/16"-20	9/16"-18	9.93	7.54	28.40	17 mm	Metric
DAUNF1305-0408	7/16"-20	3/4"-16	11.13	9.80	27.94	22 mm	Metric
DAUNF1305-0410	7/16"-20	7/8"-14	12.70	12.29	23.90	27 mm	Metric
DAUNF1305-0412	7/16"-20	1-1/16"-12	15.09	15.47	27.70	32 mm	Metric
DAUNF1305-0416	7/16"-20	1-5/16"-12	15.09	9.25	25.40	41 mm	Metric
DAUNF1305-0402IN	7/16"-20	5/16"-24	7.54	1.60	28.70	11/16"	Imperial
DAUNF1305-0403IN	7/16"-20	3/8"-24	7.54	3.18	28.70	11/16"	Imperial
DAUNF1305-0404IN	7/16"-20	7/16"-20	9.14	4.37	28.10	11/16"	Imperial
DAUNF1305-0405IN	7/16"-20	1/2"-20	9.14	5.94	27.40	5/8"	Imperial
DAUNF1305-0406IN	7/16"-20	9/16"-18	9.93	7.54	28.40	11/16"	Imperial
DAUNF1305-0408IN	7/16"-20	3/4"-16	11.13	9.80	27.94	7/8"	Imperial
DAUNF1305-0410IN	7/16"-20	7/8"-14	12.70	12.29	23.90	1"	Imperial
DAUNF1305-0412IN	7/16"-20	1-1/16"-12	15.09	15.47	27.70	1-1/4"	Imperial
DAUNF1305-0416IN	7/16"-20	1-5/16"-12	15.09	9.25	25.40	1-1/2"	Imperial
DAUNF1305-0504	1/2"-20	7/16"-20	9.14	4.37	29.46	19 mm	Metric
DAUNF1305-0508	1/2"-20	3/4"-16	11.13	9.93	30.73	22 mm	Metric
DAUNF1305-0504IN	1/2"-20	7/16"-20	9.14	4.37	29.46	3/4"	Imperial
DAUNF1305-0508IN	1/2"-20	3/4"-16	11.13	9.93	30.73	7/8"	Imperial

DAUNF1305-0604	9/16"-18	7/16"-20	9.14	4.37	29.50	22 mm	Metric
DAUNF1305-0605	9/16"-18	1/2"-20	9.14	5.94	31.50	22 mm	Metric
DAUNF1305-0606	9/16"-18	9/16"-18	9.93	7.54	31.00	22 mm	Metric
DAUNF1305-0608	9/16"-18	3/4"-16	11.13	9.93	29.50	22 mm	Metric
DAUNF1305-0610	9/16"-18	7/8"-14	12.70	12.29	30.23	27 mm	Metric
DAUNF1305-0612	9/16"-18	1-1/16"-12	15.09	15.47	27.70	32 mm	Metric
DAUNF1305-0616	9/16"-18	1-5/16"-12	15.09	12.90	25.40	41 mm	Metric
DAUNF1305-0620	9/16"-18	1-5/8"-12	15.09	12.92	25.40	50 mm	Metric
DAUNF1305-0604IN	9/16"-18	7/16"-20	9.14	4.37	29.50	13/16"	Imperial
DAUNF1305-0605IN	9/16"-18	1/2"-20	9.14	5.94	31.50	13/16"	Imperial
DAUNF1305-0606IN	9/16"-18	9/16"-18	9.93	7.54	31.00	13/16"	Imperial
DAUNF1305-0608IN	9/16"-18	3/4"-16	11.13	9.93	29.50	7/8"	Imperial
DAUNF1305-0610IN	9/16"-18	7/8"-14	12.70	12.29	30.23	1"	Imperial
DAUNF1305-0612IN	9/16"-18	1-1/16"-12	15.09	15.47	27.70	1-1/4"	Imperial
DAUNF1305-0616IN	9/16"-18	1-5/16"-12	15.09	12.90	25.40	1-1/2"	Imperial
DAUNF1305-0620IN	9/16"-18	1-5/8"-12	15.09	12.92	25.40	1-7/8"	Imperial
DAUNF1305-0804	3/4"-16	7/16"-20	9.14	4.37	35.40	27 mm	Metric
DAUNF1305-0806	3/4"-16	9/16"-18	9.93	7.54	36.83	27 mm	Metric
DAUNF1305-0808	3/4"-16	3/4"-16	11.13	9.93	35.81	27 mm	Metric
DAUNF1305-0810	3/4"-16	7/8"-14	12.70	12.29	33.30	27 mm	Metric
DAUNF1305-0812	3/4"-16	1-1/16"-12	15.09	15.47	37.59	32 mm	Metric
DAUNF1305-0814	3/4"-16	1-3/16"-12	15.09	18.26	27.70	36 mm	Metric
DAUNF1305-0816	3/4"-16	1-5/16"-12	15.09	17.50	25.40	41 mm	Metric
DAUNF1305-0820	3/4"-16	1-5/8"-12	15.09	17.50	25.40	50 mm	Metric
DAUNF1305-0824	3/4"-16	1-7/8"-12	15.09	33.32	32.30	55 mm	Metric
DAUNF1305-0804IN	3/4"-16	7/16"-20	9.14	4.37	35.40	1"	Imperial
DAUNF1305-0806IN	3/4"-16	9/16"-18	9.93	7.54	36.83	1"	Imperial
DAUNF1305-0808IN	3/4"-16	3/4"-16	11.13	9.93	35.81	1"	Imperial
DAUNF1305-0810IN	3/4"-16	7/8"-14	12.70	12.29	33.30	1"	Imperial
DAUNF1305-0812IN	3/4"-16	1-1/16"-12	15.09	15.47	37.59	1-1/4"	Imperial
DAUNF1305-0814IN	3/4"-16	1-3/16"-12	15.09	18.26	27.70	1-3/8"	Imperial
DAUNF1305-0816IN	3/4"-16	1-5/16"-12	15.09	17.50	25.40	1-1/2"	Imperial
DAUNF1305-0820IN	3/4"-16	1-5/8"-12	15.09	17.50	25.40	1-7/8"	Imperial
DAUNF1305-0824IN	3/4"-16	1-7/8"-12	15.09	33.32	32.30	2-1/8"	Imperial
DAUNF1305-1008	7/8"-14	3/4"-16	11.13	9.93	38.10	30 mm	Metric
DAUNF1305-1010	7/8"-14	7/8"-14	12.70	12.50	38.00	30 mm	Metric
DAUNF1305-1012	7/8"-14	1-1/16"-12	15.09	15.47	39.60	32 mm	Metric
DAUNF1305-1016	7/8"-14	1-5/16"-12	15.09	21.44	28.50	41 mm	Metric
DAUNF1305-1020	7/8"-14	1-5/8"-12	15.09	20.47	25.40	50 mm	Metric
DAUNF1305-1024	7/8"-14	1-7/8"-12	15.09	33.32	32.30	55 mm	Metric
DAUNF1305-1008IN	7/8"-14	3/4"-16	11.13	9.93	38.10	1-1/8"	Imperial
DAUNF1305-1010IN	7/8"-14	7/8"-14	12.70	12.50	38.00	1-1/16"	Imperial
DAUNF1305-1012IN	7/8"-14	1-1/16"-12	15.09	15.47	39.60	1-1/4"	Imperial
DAUNF1305-1016IN	7/8"-14	1-5/16"-12	15.09	21.44	28.50	1-1/2"	Imperial
DAUNF1305-1020IN	7/8"-14	1-5/8"-12	15.09	20.47	25.40	1-7/8"	Imperial
DAUNF1305-1024IN	7/8"-14	1-7/8"-12	15.09	33.32	32.30	2-1/8"	Imperial

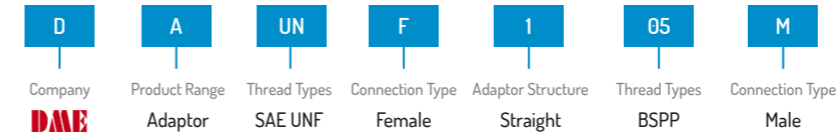




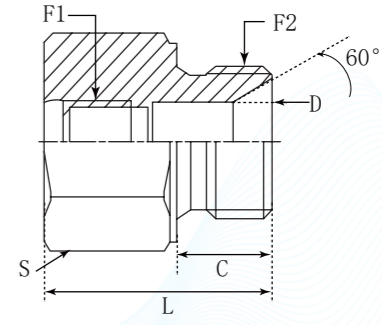
DAUNF1305-1206	1-1/16"-12	9/16"-18	9.93	7.54	39.70	36 mm	Metric
DAUNF1305-1208	1-1/16"-12	3/4"-16	11.13	9.93	41.90	36 mm	Metric
DAUNF1305-1210	1-1/16"-12	7/8"-14	12.70	12.29	45.50	36 mm	Metric
DAUNF1305-1212	1-1/16"-12	1-1/16"-12	15.09	15.47	46.50	36 mm	Metric
DAUNF1305-1216	1-1/16"-12	1-5/16"-12	15.09	21.44	43.69	41 mm	Metric
DAUNF1305-1220	1-1/16"-12	1-5/8"-12	15.09	24.92	25.40	50 mm	Metric
DAUNF1305-1224	1-1/16"-12	1-7/8"-12	15.09	33.32	32.30	55 mm	Metric
DAUNF1305-1232	1-1/16"-12	2-1/2"-12	15.09	44.50	36.30	45 mm	Metric
DAUNF1305-1206IN	1-1/16"-12	9/16"-18	9.93	7.54	39.70	1-3/8"	Imperial
DAUNF1305-1208IN	1-1/16"-12	3/4"-16	11.13	9.93	41.90	1-3/8"	Imperial
DAUNF1305-1210IN	1-1/16"-12	7/8"-14	12.70	12.29	45.50	1-3/8"	Imperial
DAUNF1305-1212IN	1-1/16"-12	1-1/16"-12	15.09	15.47	46.50	1-3/8"	Imperial
DAUNF1305-1216IN	1-1/16"-12	1-5/16"-12	15.09	21.44	43.69	1-1/2"	Imperial
DAUNF1305-1220IN	1-1/16"-12	1-5/8"-12	15.09	24.92	25.40	1-7/8"	Imperial
DAUNF1305-1224IN	1-1/16"-12	1-7/8"-12	15.09	33.32	32.30	2-1/8"	Imperial
DAUNF1305-1232IN	1-1/16"-12	2-1/2"-12	15.09	44.50	36.30	1-3/4"	Imperial
DAUNF1305-1412	1-3/16"-12	1-1/16"-12	15.09	15.47	43.50	41 mm	Metric
DAUNF1305-1416	1-3/16"-12	1-5/16"-12	15.09	21.44	43.70	41 mm	Metric
DAUNF1305-1412IN	1-3/16"-12	1-1/16"-12	15.09	15.47	43.50	1-1/2"	Imperial
DAUNF1305-1416IN	1-3/16"-12	1-5/16"-12	15.09	21.44	43.70	1-1/2"	Imperial
DAUNF1305-1612	1-5/16"-12	1-1/16"-12	15.09	15.47	46.00	41 mm	Metric
DAUNF1305-1616	1-5/16"-12	1-5/16"-12	15.09	21.44	45.97	41 mm	Metric
DAUNF1305-1620	1-5/16"-12	1-5/8"-12	15.09	31.25	25.40	50 mm	Metric
DAUNF1305-1624	1-5/16"-12	1-7/8"-12	15.09	31.27	25.40	55 mm	Metric
DAUNF1305-1632	1-5/16"-12	2-1/2"-12	15.09	31.26	25.40	70 mm	Metric
DAUNF1305-1612IN	1-5/16"-12	1-1/16"-12	15.09	15.47	46.00	1-5/8"	Imperial
DAUNF1305-1616IN	1-5/16"-12	1-5/16"-12	15.09	21.44	45.97	1-5/8"	Imperial
DAUNF1305-1620IN	1-5/16"-12	1-5/8"-12	15.09	31.25	25.40	1-7/8"	Imperial
DAUNF1305-1624IN	1-5/16"-12	1-7/8"-12	15.09	31.27	25.40	2-1/8"	Imperial
DAUNF1305-1632IN	1-5/16"-12	2-1/2"-12	15.09	31.26	25.40	2-3/4"	Imperial
DAUNF1305-2012	1-5/8"-12	1-1/16"-12	15.09	15.47	50.80	50 mm	Metric
DAUNF1305-2016	1-5/8"-12	1-5/16"-12	15.09	21.44	50.00	50 mm	Metric
DAUNF1305-2020	1-5/8"-12	1-5/8"-12	15.09	27.38	50.00	50 mm	Metric
DAUNF1305-2024	1-5/8"-12	1-7/8"-12	15.09	33.32	44.45	55 mm	Metric
DAUNF1305-2032	1-5/8"-12	2-1/2"-12	15.09	39.22	25.40	70 mm	Metric
DAUNF1305-2012IN	1-5/8"-12	1-1/16"-12	15.09	15.47	50.80	2"	Imperial
DAUNF1305-2016IN	1-5/8"-12	1-5/16"-12	15.09	21.44	50.00	2"	Imperial
DAUNF1305-2020IN	1-5/8"-12	1-5/8"-12	15.09	27.38	50.00	2"	Imperial
DAUNF1305-2024IN	1-5/8"-12	1-7/8"-12	15.09	33.32	44.45	2-1/8"	Imperial
DAUNF1305-2032IN	1-5/8"-12	2-1/2"-12	15.09	39.22	25.40	2-3/4"	Imperial
DAUNF1305-2416	1-7/8"-12	1-5/16"-12	15.09	21.44	48.50	60 mm	Metric
DAUNF1305-2420	1-7/8"-12	1-5/8"-12	15.09	27.38	47.80	60 mm	Metric
DAUNF1305-2424	1-7/8"-12	1-7/8"-12	15.09	33.32	50.80	60 mm	Metric
DAUNF1305-2432	1-7/8"-12	2-1/2"-12	15.09	44.50	36.60	70 mm	Metric
DAUNF1305-2416IN	1-7/8"-12	1-5/16"-12	15.09	21.44	48.50	2-1/4"	Imperial
DAUNF1305-2420IN	1-7/8"-12	1-5/8"-12	15.09	27.38	47.80	2-1/4"	Imperial
DAUNF1305-2424IN	1-7/8"-12	1-7/8"-12	15.09	33.32	50.80	2-1/4"	Imperial
DAUNF1305-2432IN	1-7/8"-12	2-1/2"-12	15.09	44.50	36.60	2-3/4"	Imperial
DAUNF1305-3224	2-1/2"-12	1-7/8"-12	15.09	33.32	56.50	73 mm	Metric
DAUNF1305-3224IN	2-1/2"-12	1-7/8"-12	15.09	33.32	56.50	2-7/8"	Imperial

## DAUNF105M

Straight SAE Female O Ring – BSPP male 60° Cone



- DME&JDE Code:** DAUNF105M
- Product Type:** Hydraulic adaptor
- Standard:** JIC and SAE-ORB
- Structure:** Straight
- Connection Type:** Female x Male
- Thread Types:** UNF x BSPP 60° Cone
- Sealing Method:** O Ring



PART NUMBER	F1 (Thread)	F2 (Thread)	C	D	L	S
#	UNF	BSPP	mm	mm	mm	mm
DAUNF105M-0402	7/16"-20	1/8"-28	9.00	3.50	28.80	17.46
DAUNF105M-0404	7/16"-20	1/4"-19	11.00	4.70	32.00	19.00
DAUNF105M-0406	7/16"-20	3/8"-19	12.00	7.90	32.00	22.00
DAUNF105M-0408	7/16"-20	1/2"-14	14.00	11.10	34.00	27.00
DAUNF105M-0504	1/2"-20	1/4"-19	11.00	4.70	33.00	19.00
DAUNF105M-0506	1/2"-20	3/8"-19	12.00	7.90	35.00	22.00
DAUNF105M-0604	9/16"-18	1/4"-19	11.00	4.70	34.00	20.64
DAUNF105M-0606	9/16"-18	3/8"-19	12.00	7.90	34.50	22.00
DAUNF105M-0608	9/16"-18	1/2"-14	14.00	11.10	35.50	27.00
DAUNF105M-0612	9/16"-18	3/4"-14	16.00	16.70	40.00	32.00
DAUNF105M-0806	3/4"-16	3/8"-19	12.00	7.90	37.00	25.40
DAUNF105M-0808	3/4"-16	1/2"-14	14.00	11.10	40.00	27.00
DAUNF105M-1008	7/8"-14	1/2"-14	14.00	11.10	41.00	28.58
DAUNF105M-1010	7/8"-14	5/8"-14	16.00	14.00	44.00	30.00
DAUNF105M-1212	1-1/16"-12	3/4"-14	16.00	16.70	48.00	34.93
DAUNF105M-1216	1-1/16"-12	1"-11	19.00	22.20	50.00	41.00
DAUNF105M-1608	1-5/16"-12	1/2"-14	14.00	11.10	47.00	41.00
DAUNF105M-1612	1-5/16"-12	3/4"-14	16.00	16.70	50.00	41.28
DAUNF105M-1616	1-5/16"-12	1"-11	19.00	22.20	53.00	41.28
DAUNF105M-2020	1-5/8"-12	1-1/4"-11	20.00	28.60	55.00	53.98
DAUNF105M-2024	1-5/8"-12	1-1/2"-11	22.00	33.30	57.00	55.00
DAUNF105M-2424	1-7/8"-12	1-1/2"-11	22.00	33.30	58.00	57.15

## DAUNF106Q

Straight Connector SAE Female O Ring – BSPP Male + O Ring + Retaining Ring

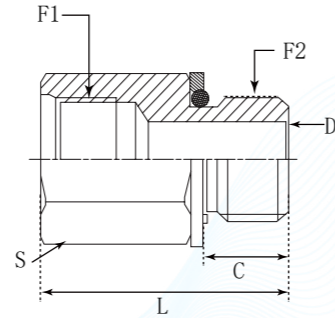
<b>D</b>	<b>A</b>	<b>UN</b>	<b>F</b>	<b>1</b>	<b>06</b>	<b>Q</b>
Company	Product Range	Thread Types	Connection Type	Adaptor Structure	Thread Types	Connection Type
<b>DME</b>	Adaptor	SAE UNF	Female	Straight	BSPP	Male + O Ring + Retaining Ring

German Technology Equipment

**SHIELD FLEX**

New-Standard

- DME&JDE Code: DAUNF106Q
- Product Type: Hydraulic adaptor
- Standard: JIC and SAE-ORB
- Structure: Straight
- Connection Type: Female x Male
- Thread Types: UNF x BSPP
- Sealing Method: O Ring + Retaining Ring



PART NUMBER	F1 (Thread)	F2 (Thread)	C	D	L	S
#	UNF	BSPP	mm	mm	mm	mm
DAUNF106Q-0404	7/16"-20	1/4"-19	11.20	7.50	30.50	19
DAUNF106Q-0604	9/16"-18	1/4"-19	11.20	7.50	32.00	22
DAUNF106Q-0606	9/16"-18	3/8"-19	11.20	7.50	31.50	22
DAUNF106Q-0808	3/4"-16	3/4"-16	11.13	9.93	35.60	30
DAUNF106Q-1008	7/8"-14	1/2"-14	14.50	12.30	41.50	30
DAUNF106Q-1208	1-1/16"-12	1/2"-14	14.50	12.30	45.00	36
DAUNF106Q-1212	1-1/16"-12	3/4"-14	14.50	15.50	46.50	36
DAUNF106Q-1616	1-5/16"-12	1"-11	18.60	21.40	50.50	46

Web: <https://www.dmejde.com>  
E-mail: [info@dmejde.com](mailto:info@dmejde.com)



Certificate:

## DAUNF152Q

Straight Connector SAE Female O Ring – Metric Male + O Ring + Retaining Ring

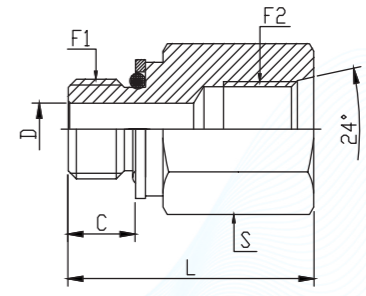
<b>D</b>	<b>A</b>	<b>UN</b>	<b>F</b>	<b>1</b>	<b>52</b>	<b>Q</b>
Company	Product Range	Thread Types	Connection Type	Adaptor Structure	Thread Types	Connection Type
<b>DME</b>	Adaptor	SAE UNF	Female	Straight	Metric	Male + O Ring + Retaining Ring

German Technology Equipment

**SHIELD FLEX**

New-Standard

- DME&JDE Code: DAUNF152Q
- Product Type: Hydraulic adaptor
- Standard: JIC and SAE-ORB
- Structure: Straight
- Connection Type: Female x Male
- Thread Types: UNF x Metric
- Sealing Method: Long O Ring + Retaining Ring



PART NUMBER	F1 (Thread)	F2 (Thread)	C	D	L	S
#	UNF	BSPP	mm	mm	mm	mm
DAUNF152Q-0410	7/16"-20	M10X1	7.54	3.18	28.70	19
DAUNF152Q-0614	9/16"-18	M14X1.5	11.00	7.00	31.60	22
DAUNF152Q-0814	3/4"-16	M14X1.5	11.00	6.00	33.50	24
DAUNF152Q-0818	3/4"-16	M18X1.5	12.50	10.00	36.80	27
DAUNF152Q-1018	7/8"-14	M18X1.5	12.50	10.00	38.10	30
DAUNF152Q-1022	7/8"-14	M22X1.5	13.00	12.00	38.00	30
DAUNF152Q-1227	1-1/16"-12	M27X2	18.50	15.00	47.00	36
DAUNF152Q-1233	1-1/16"-12	M33X2	18.50	21.44	43.70	41
DAUNF152Q-1633	1-5/16"-12	M33X2	18.00	13.00	46.00	41

Web: <https://www.dmejde.com>  
E-mail: [info@dmejde.com](mailto:info@dmejde.com)



Certificate:

# DAUNF128M

Straight Connector SAE Female O Ring – NPTF 60° Male

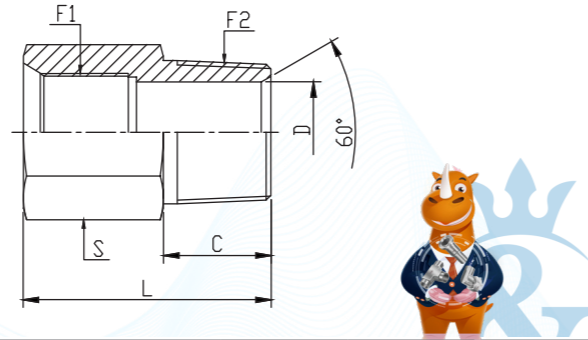
<b>D</b>	<b>A</b>	<b>UN</b>	<b>F</b>	<b>1</b>	<b>28</b>	<b>M</b>
Company	Product Range	Thread Types	Connection Type	Adaptor Structure	Thread Types	Connection Type
<b>DME</b>	Adaptor	SAE UNF	Female	Straight	NPTF	Male

German Technology Equipment

**SHIELD FLEX**

New-Standard

- DME&JDE Code: **DAUNF128M**
- Product Type: **Hydraulic adaptor**
- Adaptor Standard: **JIC and SAE-ORB**
- Structure: **Straight**
- Connection Type: **Female x Male**
- Thread Types: **UNF x NPTF 60°**
- Sealing Method: **O Ring**



PART NUMBER	F1 (Thread)	F2 (Thread)	C	D	L	S	Hex
#	UNF	NPTF	mm	mm	mm	-	-
DAUNF128M-0402IN	7/16"-20	1/8"-27	9.65	4.78	28.70	11/16"	Imperial
DAUNF128M-0404IN	7/16"-20	1/4"-18	14.22	7.14	33.50	11/16"	Imperial
DAUNF128M-0406IN	7/16"-20	3/8"-18	14.22	10.31	28.70	11/16"	Imperial
DAUNF128M-0502IN	1/2"-20	1/8"-27	9.65	4.78	34.80	3/4"	Imperial
DAUNF128M-0504IN	1/2"-20	1/4"-18	14.22	7.14	35.30	3/4"	Imperial
DAUNF128M-0604IN	9/16"-18	1/4"-18	14.22	7.14	40.39	7/8"	Imperial
DAUNF128M-0606IN	9/16"-18	3/8"-18	14.22	10.31	35.10	13/16"	Imperial
DAUNF128M-0608IN	9/16"-18	1/2"-14	19.05	13.49	40.13	7/8"	Imperial
DAUNF128M-0612IN	9/16"-18	3/4"-14	19.05	18.26	39.00	1-1/8"	Imperial

Web: <https://www.dmejde.com>  
E-mail: [info@dmejde.com](mailto:info@dmejde.com)



Certificate:

PART NUMBER	F1 (Thread)	F2 (Thread)	C	D	L	S	Hex
#	UNF	NPTF	mm	mm	mm	-	-
DAUNF128M-0806IN	3/4"-16	3/8"-18	14.22	10.31	38.10	1"	Imperial
DAUNF128M-0808IN	3/4"-16	1/2"-14	19.05	13.49	41.90	1"	Imperial
DAUNF128M-0812IN	3/4"-16	3/4"-14	19.05	17.50	42.90	1-1/8"	Imperial
DAUNF128M-1006IN	7/8"-14	3/8"-18	14.22	10.31	41.70	1-1/8"	Imperial
DAUNF128M-1008IN	7/8"-14	1/2"-14	19.05	13.50	46.73	1-1/8"	Imperial
DAUNF128M-1012IN	7/8"-14	3/4"-14	19.05	18.26	43.70	1-1/8"	Imperial
DAUNF128M-1206IN	1-1/16"-12	3/8"-18	14.22	10.31	44.90	1-3/8"	Imperial
DAUNF128M-1208IN	1-1/16"-12	1/2"-14	19.05	13.50	50.28	1-3/8"	Imperial
DAUNF128M-1212IN	1-1/16"-12	3/4"-14	19.05	18.26	50.30	1-3/8"	Imperial
DAUNF128M-1216IN	1-1/16"-12	1"-11-1/2	23.88	23.83	54.10	1-3/8"	Imperial
DAUNF128M-1412IN	1-3/16"-12	3/4"-14	19.05	18.26	48.51	1-5/8"	Imperial
DAUNF128M-1612IN	1-5/16"-12	3/4"-14	19.05	18.26	51.60	1-5/8"	Imperial
DAUNF128M-1616IN	1-5/16"-12	1"-11-1/2	23.88	23.83	56.39	1-5/8"	Imperial
DAUNF128M-1620IN	1-5/16"-12	1-1/4"-11-1/2	24.64	31.75	56.00	1-3/4"	Imperial
DAUNF128M-1624IN	1-5/16"-12	1-1/2"-11-1/2	25.40	31.27	54.86	2"	Imperial
DAUNF128M-2016IN	1-5/8"-12	1"-11-1/2	23.88	23.83	56.40	2-1/8"	Imperial
DAUNF128M-2020IN	1-5/8"-12	1-1/4"-11-1/2	24.64	31.75	59.40	2-1/8"	Imperial
DAUNF128M-2032IN	1-5/8"-12	2"-11-1/2	26.16	49.23	60.00	2-1/2"	Imperial
DAUNF128M-2424IN	1-7/8"-12	1-1/2"-11-1/2	25.40	38.10	58.40	2-1/4"	Imperial
DAUNF128M-3232IN	2-1/2"-12	2"-11-1/2	26.16	49.23	67.60	2-7/8"	Imperial

Web: <https://www.dmejde.com>  
E-mail: [info@dmejde.com](mailto:info@dmejde.com)



Certificate:



## DAUNF130F

Straight Connector SAE Female O Ring – SAE Female O Ring

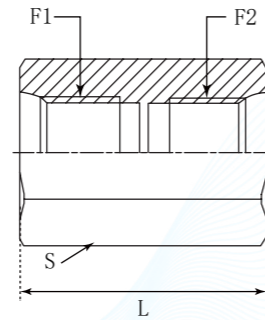
<b>D</b>	<b>A</b>	<b>UN</b>	<b>F</b>	<b>1</b>	<b>30</b>	<b>F</b>
Company	Product Range	Thread Types	Connection Type	Adaptor Structure	Thread Types	Connection Type
<b>DME</b>	Adaptor	SAE UNF	Female	Straight	NPTF	Female

German Technology Equipment

**SHIELD FLEX**

New-Standard

- DME&JDE Code: DAUNF130F
- Product Type: Hydraulic adaptor
- Standard: JIC and SAE-ORB
- Structure: Straight
- Connection Type: Female x Female
- Thread Types: NPTF x NPTF
- Other Features: Hexagon



PART NUMBER	F1 (Thread)	F2 (Thread)	L	S	Hex
#	UNF	UNF	mm	mm	-
DAUNF130F-0404	7/16"-20	7/16"-20	29.00	17 mm	Metric
DAUNF130F-0404IN	7/16"-20	7/16"-20	29.00	11/16"	Imperial
DAUNF130F-0606	9/16"-18	9/16"-18	32.00	22 mm	Metric
DAUNF130F-0606IN	9/16"-18	9/16"-18	32.00	13/16"	Imperial
DAUNF130F-0808	3/4"-16	3/4"-16	36.10	27 mm	Metric
DAUNF130F-0808IN	3/4"-16	3/4"-16	36.10	1-1/8"	Imperial
DAUNF130F-1010	7/8"-14	7/8"-14	41.50	32 mm	Metric
DAUNF130F-1010IN	7/8"-14	7/8"-14	41.50	1-1/4"	Imperial
DAUNF130F-1212	1-1/16"-12	1-1/16"-12	47.00	36 mm	Metric
DAUNF130F-1212IN	1-1/16"-12	1-1/16"-12	47.00	1-3/8"	Imperial
DAUNF130F-1616	1-5/16"-12	1-5/16"-12	49.50	41 mm	Metric
DAUNF130F-1616IN	1-5/16"-12	1-5/16"-12	49.50	1-5/8"	Imperial
DAUNF130F-2020	1-5/8"-12	1-5/8"-12	53.34	50 mm	Metric
DAUNF130F-2020IN	1-5/8"-12	1-5/8"-12	53.34	2"	Imperial

## DAUNF128F

Straight Connector SAE Female O Ring – NPTF Female

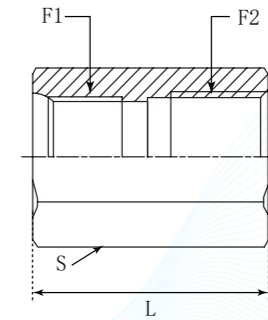
<b>D</b>	<b>A</b>	<b>UN</b>	<b>F</b>	<b>1</b>	<b>28</b>	<b>F</b>
Company	Product Range	Thread Types	Connection Type	Adaptor Structure	Thread Types	Connection Type
<b>DME</b>	Adaptor	SAE UNF	Female	Straight	NPTF	Female

German Technology Equipment

**SHIELD FLEX**

New-Standard

- DME&JDE Code: DAUNF128F
- Product Type: Hydraulic adaptor
- Standard: JIC and SAE-ORB
- Structure: Straight
- Connection Type: Female x Female
- Thread Types: UNF x NPTF
- Sealing Method: O Ring



PART NUMBER	F1 (Thread)	F2 (Thread)	L	S	Hex
#	UNF	NPTF	mm	-	-
DAUNF128F-0404IN	7/16"-20	1/4"-18	28.60	3/4"	Imperial
DAUNF128F-0606IN	9/16"-18	3/8"-18	33.50	7/8"	Imperial
DAUNF128F-0806IN	3/4"-16	3/8"-18	38.50	1"	Imperial
DAUNF128F-0808IN	3/4"-16	1/2"-14	38.10	1"	Imperial
DAUNF128F-1008IN	7/8"-14	1/2"-14	43.70	1-1/8"	Imperial
DAUNF128F-1012IN	7/8"-14	3/4"-14	47.00	1-3/8"	Imperial
DAUNF128F-1212IN	1-1/16"-12	3/4"-14	47.00	1-3/8"	Imperial
DAUNF128F-1616IN	1-5/16"-12	1"-11-1/2	53.50	1-5/8"	Imperial



## DAUNF1251

Straight Connector SAE Female O Ring – JIC Swivel Female 74°

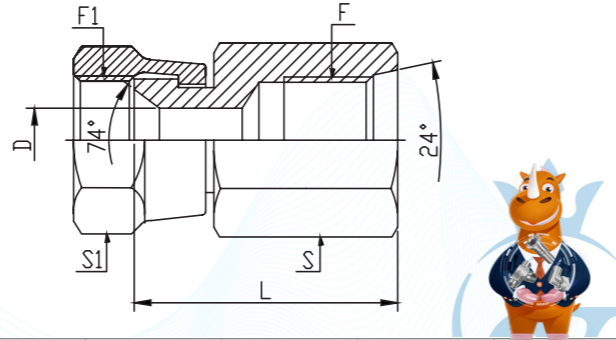
<b>D</b>	<b>A</b>	<b>UN</b>	<b>F</b>	<b>1</b>	<b>251</b>
Company	Product Range	Thread Types	Connection Type	Adaptor Structure	Connection Type
<b>DME</b>	Adaptor	SAE UNF	Female	Straight	JIC Swivel Female

German Technology Equipment

**SHIELD FLEX**

New-Standard

- DME&JDE Code: DAUNF1251
- Product Type: Hydraulic adaptor
- Standard: JIC and SAE-ORB
- Structure: Straight
- Connection Type: Female x Swivel Female
- Thread Types: UNF x UNF
- Sealing Method: O Ring



PART NUMBER	F (Thread)	F1 (Thread)	D	L	S	S1	Hex
#	UNF	UNF	mm	mm	-	-	-
DAUNF1251-0404	7/16"-20	7/16"-20	4.37	26.50	17 mm	14 mm	Metric
DAUNF1251-0404IN	7/16"-20	7/16"-20	4.37	26.50	11/16"	9/16"	Imperial
DAUNF1251-0606	9/16"-18	9/16"-18	7.54	30.50	22 mm	19 mm	Metric
DAUNF1251-0606IN	9/16"-18	9/16"-18	7.54	30.50	13/16"	11/16"	Imperial
DAUNF1251-0808	3/4"-16	3/4"-16	9.93	35.80	27 mm	22 mm	Metric
DAUNF1251-0808IN	3/4"-16	3/4"-16	9.93	35.80	1"	7/8"	Imperial
DAUNF1251-1010	7/8"-14	7/8"-14	12.29	35.50	27 mm	27 mm	Metric
DAUNF1251-1010IN	7/8"-14	7/8"-14	12.29	35.50	1-1/8"	1"	Imperial
DAUNF1251-1212	1-1/16"-12	1-1/16"-12	15.47	40.30	35 mm	32 mm	Metric
DAUNF1251-1212IN	1-1/16"-12	1-1/16"-12	15.47	40.30	1-3/8"	1-1/4"	Imperial
DAUNF1251-1616	1-5/16"-12	1-5/16"-12	21.44	42.00	41 mm	41 mm	Metric
DAUNF1251-1616IN	1-5/16"-12	1-5/16"-12	21.44	42.00	1-5/8"	1-3/8"	Imperial

## DAUNF1241

Straight Connector SAE Female O Ring – ORFS Swivel Female

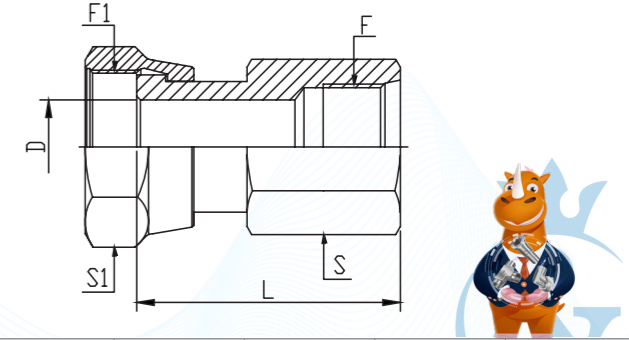
<b>D</b>	<b>A</b>	<b>UN</b>	<b>F</b>	<b>1</b>	<b>241</b>
Company	Product Range	Thread Types	Connection Type	Adaptor Structure	Connection Type
<b>DME</b>	Adaptor	SAE UNF	Female	Straight	ORFS Swivel Female

German Technology Equipment

**SHIELD FLEX**

New-Standard

- DME&JDE Code: DAUNF1241
- Product Type: Hydraulic adaptor
- Standard: JIC and SAE-ORB
- Structure: Straight
- Connection Type: Female x Swivel Female
- Thread Types: UNF x UNF
- Sealing Method: O Ring



PART NUMBER	F (Thread)	F1 (Thread)	D	L	S	S1	Hex
#	UNF	UNF	mm	mm	-	-	-
DAUNF1241-0404	7/16"-20	9/16"-18	4.19	36.50	17 mm	17 mm	Metric
DAUNF1241-0406	7/16"-20	11/16"-16	6.71	38.50	19 mm	22 mm	Metric
DAUNF1241-0408	7/16"-20	13/16"-16	9.09	41.00	22 mm	24 mm	Metric
DAUNF1241-0404IN	7/16"-20	9/16"-18	4.19	36.50	11/16"	11/16"	Imperial
DAUNF1241-0406IN	7/16"-20	11/16"-16	6.71	38.50	3/4"	13/16"	Imperial
DAUNF1241-0408IN	7/16"-20	13/16"-16	9.09	41.00	7/8"	15/16"	Imperial
DAUNF1241-0606	9/16"-18	11/16"-16	6.71	40.00	19 mm	22 mm	Metric
DAUNF1241-0606IN	9/16"-18	11/16"-16	6.71	40.00	3/4"	13/16"	Imperial
DAUNF1241-0808	3/4"-16	3/4"-16	9.09	55.00	27 mm	24 mm	Metric
DAUNF1241-0808IN	3/4"-16	3/4"-16	9.09	55.00	1"	15/16"	Imperial
DAUNF1241-1212	1-1/16"-12	1-1/16"-12	13.89	72.50	36 mm	36 mm	Metric
DAUNF1241-1212IN	1-1/16"-12	1-1/16"-12	13.89	72.50	1-3/8"	1-3/8"	Imperial
DAUNF1241-1616	1-5/16"-12	1-5/16"-12	19.89	75.50	41 mm	41 mm	Metric
DAUNF1241-1616IN	1-5/16"-12	1-5/16"-12	19.89	75.50	1-5/8"	1-5/8"	Imperial

## DAUNM4305

45° Adjustable Elbow SAE Male O Ring – SAE Male O Ring

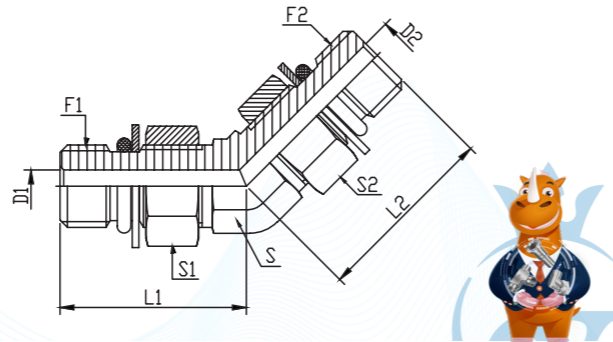
<b>D</b>	<b>A</b>	<b>UN</b>	<b>F</b>	<b>4</b>	<b>30</b>	<b>5</b>
Company	Product Range	Thread Types	Connection Type	Adaptor Structure	Thread Types	Connection Type
<b>DME</b>	Adaptor	SAE UNF	Female	45° Elbow	SAE UNF	Male O Ring

German Technology Equipment

**SHIELD FLEX**

New-Standard

- DME&JDE Code: **DAUNM4305**
- Product Type: **Hydraulic adaptor**
- Standard: **JIC and SAE-ORB**
- Structure: **45° Elbow**
- Connection Type: **Adjustable Male x Male**
- Thread Types: **UNF x UNF**
- Sealing Method: **O Ring**



PART NUMBER	F1 (Thread)	F2 (Thread)	D1	D2	L1	L2	S	S1	S2	Hex
#	UNF	UNF	mm	mm	mm	mm	-	-	-	-
DAUNM4305-0404	7/16"-20	7/16"-20	4.37	4.37	26.70	26.70	11 mm	14 mm	14 mm	Metric
DAUNM4305-0404IN	7/16"-20	7/16"-20	4.37	4.37	26.70	26.70	7/16"	9/16"	9/16"	Imperial
DAUNM4305-0606	9/16"-18	9/16"-18	7.54	7.54	29.00	29.00	14 mm	17 mm	17 mm	Metric
DAUNM4305-0606IN	9/16"-18	9/16"-18	7.54	7.54	29.00	29.00	9/16"	11/16"	11/16"	Imperial
DAUNM4305-0808	3/4"-16	3/4"-16	9.93	9.93	33.00	33.00	19 mm	17 mm	17 mm	Metric
DAUNM4305-0808IN	3/4"-16	3/4"-16	9.93	9.93	33.00	33.00	3/4"	7/8"	7/8"	Imperial
DAUNM4305-1008	7/8"-14	3/4"-16	12.29	9.93	38.60	34.50	17 mm	24 mm	17 mm	Metric
DAUNM4305-1010	7/8"-14	7/8"-14	12.29	12.29	38.60	38.60	17 mm	24 mm	24 mm	Metric
DAUNM4305-1008IN	7/8"-14	3/4"-16	12.29	9.93	38.60	34.50	7/8"	1"	7/8"	Imperial
DAUNM4305-1010IN	7/8"-14	7/8"-14	12.29	12.29	38.60	38.60	7/8"	1"	1"	Imperial
DAUNM4305-1212	1-1/16"-12	1-1/16"-12	15.47	15.47	43.90	43.90	27 mm	32 mm	32 mm	Metric
DAUNM4305-1212IN	1-1/16"-12	1-1/16"-12	15.47	15.47	43.90	43.90	1-1/16"	1-1/4"	1-1/4"	Imperial
DAUNM4305-1616	1-5/16"-12	1-5/16"-12	21.44	21.44	47.20	47.20	35 mm	38 mm	38 mm	Metric
DAUNM4305-1616IN	1-5/16"-12	1-5/16"-12	21.44	21.44	47.20	47.20	1-5/16"	1-1/2"	1-1/2"	Imperial
DAUNM4305-2020	1-5/8"-12	1-5/8"-12	27.38	27.38	48.50	48.50	42 mm	50 mm	50 mm	Metric
DAUNM4305-2020IN	1-5/8"-12	1-5/8"-12	27.38	27.38	48.50	48.50	1-5/8"	1-7/8"	1-7/8"	Imperial

## DAUNM9305

90° Adjustable Elbow SAE Male O Ring – SAE Male O Ring

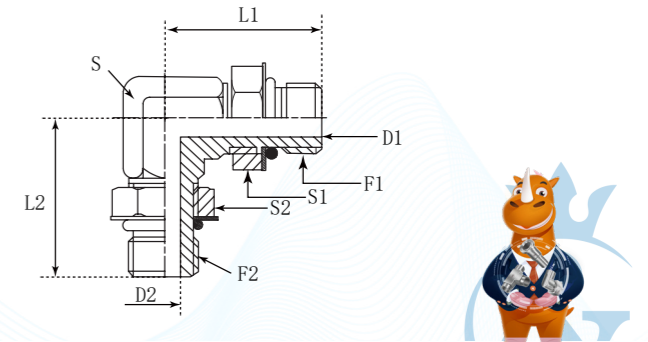
<b>D</b>	<b>A</b>	<b>UN</b>	<b>M</b>	<b>9</b>	<b>30</b>	<b>5</b>
Company	Product Range	Thread Types	Connection Type	Adaptor Structure	Thread Types	Connection Type
<b>DME</b>	Adaptor	SAE UNF	Male	90° Elbow	SAE UNF	Male O Ring

German Technology Equipment

**SHIELD FLEX**

New-Standard

- DME&JDE Code: **DAUNM9305**
- Product Type: **Hydraulic adaptor**
- Standard: **JIC and SAE-ORB**
- Structure: **90° Elbow**
- Connection Type: **Adjustable Male x Male**
- Thread Types: **UNF x UNF**
- Sealing Method: **O Ring**



PART NUMBER	F1 (Thread)	F2 (Thread)	L1	L2	D1	D2	S	S1	S2	Hex
#	UNF	UNF	mm	mm	mm	mm	-	-	-	-
DAUNM9305-0404IN	7/16"-20	7/16"-20	26.20	26.20	4.37	4.37	7/16"	9/16"	9/16"	Imperial
DAUNM9305-0604IN	9/16"-18	7/16"-20	31.80	31.00	7.54	4.37	9/16"	11/16"	9/16"	Imperial
DAUNM9305-0606IN	9/16"-18	9/16"-18	31.80	31.80	7.54	7.54	9/16"	11/16"	11/16"	Imperial
DAUNM9305-0806IN	3/4"-16	9/16"-18	36.80	34.04	9.93	7.54	3/4"	7/8"	11/16"	Imperial
DAUNM9305-0808IN	3/4"-16	3/4"-16	36.80	36.80	9.93	9.93	3/4"	7/8"	7/8"	Imperial
DAUNM9305-1008IN	7/8"-14	3/4"-16	43.20	39.10	12.29	9.93	7/8"	1"	7/8"	Imperial
DAUNM9305-1212IN	1-1/16"-12	1-1/16"-12	49.30	49.30	15.47	15.47	1-1/16"	1-1/4"	1-1/4"	Imperial
DAUNM9305-1616IN	1-5/16"-12	1-5/16"-12	52.10	52.10	21.44	21.44	1-5/16"	1-1/2"	1-1/2"	Imperial
DAUNM9305-2020IN	1-5/8"-12	1-5/8"-12	57.20	57.20	27.38	27.38	1-5/8"	1-7/8"	1-7/8"	Imperial
DAUNM9305-2424IN	1-7/8"-12	1-7/8"-12	60.70	60.70	33.32	33.32	1-7/8"	2-1/8"	2-1/8"	Imperial
DAUNM9305-3232IN	2-1/2"-12	2-1/2"-12	73.40	73.40	45.24	45.24	2-1/2"	2-3/4"	2-3/4"	Imperial



## DAUNF9305

90° Adjustable Elbow SAE Solid Female – SAE Male + O Ring + Retaining Ring

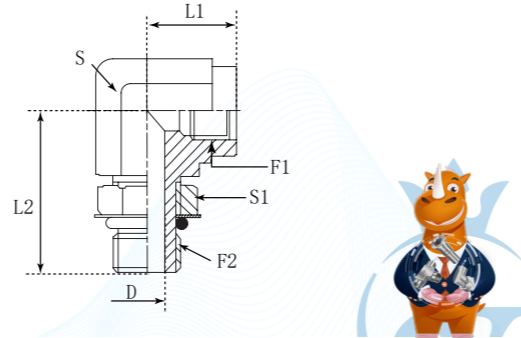
<b>D</b>	<b>A</b>	<b>UN</b>	<b>F</b>	<b>9</b>	<b>30</b>	<b>5</b>
Company	Product Range	Thread Types	Connection Type	Adaptor Structure	Thread Types	Connection Type
<b>DME</b>	Adaptor	SAE UNF	Female	90° Elbow	SAE UNF	Male + O Ring

German Technology Equipment

**SHIELD FLEX**

New-Standard

- DME&JDE Code: DAUNF9305
- Product Type: Hydraulic adaptor
- Standard: JIC and SAE-ORB
- Structure: 90° Elbow
- Connection Type: Adjustable Solid Female x Male
- Thread Types: UNF x UNF
- Sealing Method: O Ring + Retaining Ring



PART NUMBER	F1 (Thread)	F2 (Thread)	D1	D2	L1	S	S1	Hex
#	UNF	UNF	mm	mm	mm	-	-	-
DAUNF9305-0404	7/16"-20	7/16"-20	21.10	32.00	4.37	19 mm	14 mm	Metric
DAUNF9305-0406	7/16"-20	9/16"-18	24.00	35.80	7.54	19 mm	17 mm	Metric
DAUNF9305-0404IN	7/16"-20	7/16"-20	21.10	32.00	4.37	3/4"	9/16"	Imperial
DAUNF9305-0406IN	7/16"-20	9/16"-18	24.00	35.80	7.54	3/4"	11/16"	Imperial
DAUNF9305-0604	9/16"-18	7/16"-20	25.90	35.00	4.37	22 mm	14 mm	Metric
DAUNF9305-0606	9/16"-18	9/16"-18	25.90	35.80	7.54	22 mm	17 mm	Metric
DAUNF9305-0608	9/16"-18	3/4"-16	25.90	40.39	9.93	22 mm	22 mm	Metric
DAUNF9305-0604IN	9/16"-18	7/16"-20	25.90	35.00	4.37	7/8"	9/16"	Imperial
DAUNF9305-0606IN	9/16"-18	9/16"-18	25.90	35.80	7.54	7/8"	11/16"	Imperial
DAUNF9305-0608IN	9/16"-18	3/4"-16	25.90	40.39	9.93	7/8"	7/8"	Imperial
DAUNF9305-0806	3/4"-16	9/16"-18	27.90	37.90	7.54	27 mm	17 mm	Metric
DAUNF9305-0808	3/4"-16	3/4"-16	22.35	40.39	9.93	27 mm	22 mm	Metric
DAUNF9305-0810	3/4"-16	7/8"-14	31.20	45.20	12.29	27 mm	25 mm	Metric
DAUNF9305-0806IN	3/4"-16	9/16"-18	27.90	37.90	7.54	1-1/16"	11/16"	Imperial
DAUNF9305-0808IN	3/4"-16	3/4"-16	22.35	40.39	9.93	1-1/16"	7/8"	Imperial
DAUNF9305-0810IN	3/4"-16	7/8"-14	31.20	45.20	12.29	1-1/16"	1"	Imperial
DAUNF9305-1010	7/8"-14	7/8"-14	31.20	45.20	12.29	27 mm	25 mm	Metric
DAUNF9305-1010IN	7/8"-14	7/8"-14	31.20	45.20	12.29	1-1/16"	1"	Imperial
DAUNF9305-1212	1-1/16"-12	1-1/16"-12	30.73	50.80	15.47	35 mm	32 mm	Metric
DAUNF9305-1212IN	1-1/16"-12	1-1/16"-12	30.73	50.80	15.47	1-5/16"	1-1/4"	Imperial
DAUNF9305-1616	1-5/16"-12	1-5/16"-12	41.20	57.20	21.44	42 mm	41 mm	Metric
DAUNF9305-1616IN	1-5/16"-12	1-5/16"-12	41.20	57.20	21.44	1-5/8"	1-1/2"	Imperial
DAUNF9305-2020	1-5/8"-12	1-5/8"-12	41.40	60.70	27.38	50 mm	50 mm	Metric
DAUNF9305-2020IN	1-5/8"-12	1-5/8"-12	41.40	60.70	27.38	1-7/8"	1-7/8"	Imperial

## DAUNFT305

Branch Adjustable Tee SAE Female O Ring – SAE Male

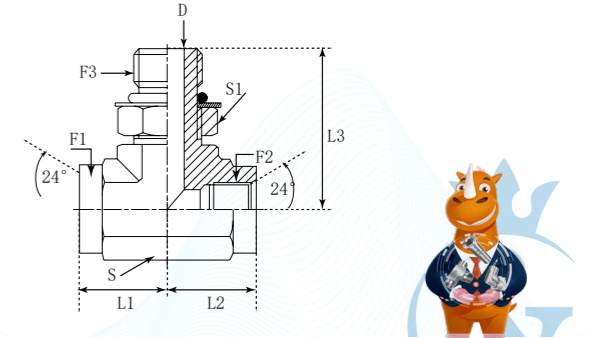
<b>D</b>	<b>A</b>	<b>UN</b>	<b>F</b>	<b>T</b>	<b>30</b>	<b>5</b>
Company	Product Range	Thread Types	Connection Type	Adaptor Structure	Thread Types	Connection Type
<b>DME</b>	Adaptor	SAE UNF	Female	Branch Tee	SAE UNF	Male + O Ring

German Technology Equipment

**SHIELD FLEX**

New-Standard

- DME&JDE Code: DAUNFT305
- Product Type: Hydraulic adaptor
- Standard: JIC and SAE-ORB
- Structure: Branch Tee
- Connection Type: Adjustable Female x Male
- Thread Types: UNF x UNF x UNF
- Sealing Method: O Ring



PART NUMBER	F1 (Thread)	F2 (Thread)	F3 (Thread)	D	L1	L2	L3	S1	S2	Hex
#	UNF	UNF	UNF	mm	mm	mm	mm	-	-	-
DAUNFT305-0404	7/16"-20	7/16"-20	7/16"-20	4.37	16.00	16.00	31.20	19 mm	14 mm	Metric
DAUNFT305-0404IN	7/16"-20	7/16"-20	7/16"-20	4.37	16.00	16.00	31.20	3/4"	9/16"	Imperial
DAUNFT305-0606	9/16"-18	9/16"-18	9/16"-18	7.54	19.05	19.05	35.05	22 mm	17 mm	Metric
DAUNFT305-0606IN	9/16"-18	9/16"-18	9/16"-18	7.54	19.05	19.05	35.05	7/8"	11/16"	Imperial
DAUNFT305-0808	3/4"-16	3/4"-16	3/4"-16	9.93	22.40	22.40	40.40	27 mm	22 mm	Metric
DAUNFT305-0808IN	3/4"-16	3/4"-16	3/4"-16	9.93	22.40	22.40	40.40	1-1/16"	7/8"	Imperial
DAUNFT305-1010	7/8"-14	7/8"-14	7/8"-14	12.29	25.90	25.90	46.00	27 mm	25 mm	Metric
DAUNFT305-1010IN	7/8"-14	7/8"-14	7/8"-14	12.29	25.90	25.90	46.00	1-1/16"	1"	Imperial
DAUNFT305-1212	1-1/16"-12	1-1/16"-12	1-1/16"-12	15.47	30.70	30.70	30.70	35 mm	32 mm	Metric
DAUNFT305-1212IN	1-1/16"-12	1-1/16"-12	1-1/16"-12	15.47	30.70	30.70	30.70	1-5/16"	1-1/4"	Imperial
DAUNFT305-1616	1-5/16"-12	1-5/16"-12	1-5/16"-12	21.44	33.80	33.80	57.40	42 mm	41 mm	Metric
DAUNFT305-1616IN	1-5/16"-12	1-5/16"-12	1-5/16"-12	21.44	33.80	33.80	57.40	1-5/8"	1-1/2"	Imperial
DAUNFT305-2020	1-5/8"-12	1-5/8"-12	1-5/8"-12	27.38	43.20	43.20	60.70	50 mm	50 mm	Metric
DAUNFT305-2020IN	1-5/8"-12	1-5/8"-12	1-5/8"-12	27.38	43.20	43.20	60.70	1-7/8"	1-7/8"	Imperial

# DAUNFL305

Run Adjustable Tee SAE Female O Ring – SAE Male + O Ring

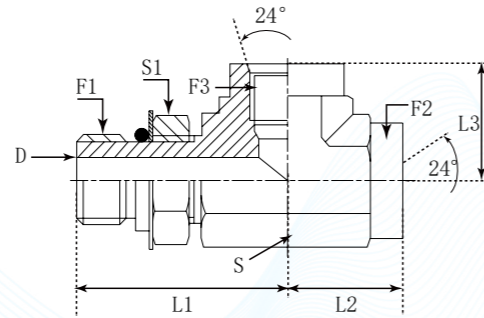
<b>D</b>	<b>A</b>	<b>UN</b>	<b>F</b>	<b>L</b>	<b>30</b>	<b>5</b>
Company	Product Range	Thread Types	Connection Type	Adaptor Structure	Thread Types	Connection Type
<b>DME</b>	Adaptor	SAE UNF	Female	Run Tee	SAE UNF	Male + O Ring

German Technology Equipment

**SHIELD FLEX**

New-Standard

- DME&JDE Code: **DAUNFL305**
- Product Type: **Hydraulic adaptor**
- Standard: **JIC and SAE-ORB**
- Structure: **Run Tee**
- Connection Type: **Adjustable Female x Male**
- Thread Types: **UNF x UNF x UNF**
- Sealing Method: **O Ring**



PART NUMBER	F1 (Thread)	F2 (Thread)	F3 (Thread)	D	L1	L2	L3	S	S1	Hex
#	UNF	UNF	UNF	mm	mm	mm	mm	-	-	-
DAUNFL305-0404	7/16"-20	7/16"-20	7/16"-20	4.37	31.80	18.80	18.80	19 mm	14 mm	Metric
DAUNFL305-0404IN	7/16"-20	7/16"-20	7/16"-20	4.37	31.80	18.80	18.80	3/4"	9/16"	Imperial
DAUNFL305-0606	9/16"-18	9/16"-18	9/16"-18	7.54	35.05	21.84	21.84	22 mm	17 mm	Metric
DAUNFL305-0606IN	9/16"-18	9/16"-18	9/16"-18	7.54	35.05	21.84	21.84	7/8"	11/16"	Imperial
DAUNFL305-0808	3/4"-16	3/4"-16	3/4"-16	9.93	40.39	22.35	22.35	27 mm	22 mm	Metric
DAUNFL305-0808IN	3/4"-16	3/4"-16	3/4"-16	9.93	40.39	22.35	22.35	1-1/16"	7/8"	Imperial
DAUNFL305-1010	7/8"-14	7/8"-14	7/8"-14	12.29	45.20	31.20	31.20	27 mm	25 mm	Metric
DAUNFL305-1010IN	7/8"-14	7/8"-14	7/8"-14	12.29	45.20	31.20	31.20	1-1/16"	1"	Imperial
DAUNFL305-1212	1-1/16"-12	1-1/16"-12	1-1/16"-12	15.47	51.40	35.30	35.30	35 mm	32 mm	Metric
DAUNFL305-1212IN	1-1/16"-12	1-1/16"-12	1-1/16"-12	15.47	51.40	35.30	35.30	1-5/16"	1-1/4"	Imperial
DAUNFL305-1616	1-5/16"-12	1-5/16"-12	1-5/16"-12	21.44	57.20	38.60	38.60	42 mm	41 mm	Metric
DAUNFL305-1616IN	1-5/16"-12	1-5/16"-12	1-5/16"-12	21.44	57.20	38.60	38.60	1-5/8"	1-1/2"	Imperial
DAUNFL305-2020	1-5/8"-12	1-5/8"-12	1-5/8"-12	27.38	60.70	43.20	43.20	50 mm	50 mm	Metric
DAUNFL305-2020IN	1-5/8"-12	1-5/8"-12	1-5/8"-12	27.38	60.70	43.20	43.20	1-7/8"	1-7/8"	Imperial

# DAUNFT30F

Branch Tee Connector SAE Female O Ring – SAE Female O Ring

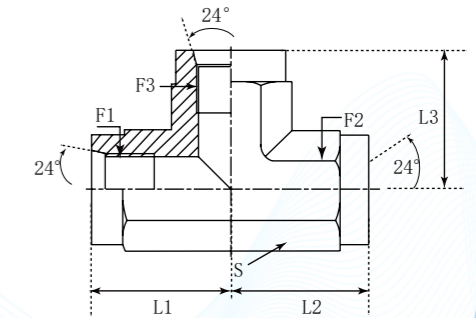
<b>D</b>	<b>A</b>	<b>UN</b>	<b>F</b>	<b>T</b>	<b>30</b>	<b>F</b>
Company	Product Range	Thread Types	Connection Type	Adaptor Structure	Thread Types	Connection Type
<b>DME</b>	Adaptor	SAE UNF	Female	Branch Tee	SAE UNF	Female

German Technology Equipment

**SHIELD FLEX**

New-Standard

- DME&JDE Code: **DAUNFT30F**
- Product Type: **Hydraulic adaptor**
- Standard: **JIC and SAE-ORB**
- Structure: **Branch Tee**
- Connection Type: **Female x Female x Female**
- Thread Types: **UNF x UNF x UNF**
- Sealing Method: **O Ring**



PART NUMBER	F1 (Thread)	F2 (Thread)	F3 (Thread)	L1	L2	L3	S	Hex
#	UNF	UNF	UNF	mm	mm	mm	-	-
DAUNFT30F-0404	7/16"-20	7/16"-20	7/16"-20	18.80	18.80	18.80	19 mm	Metric
DAUNFT30F-0404IN	7/16"-20	7/16"-20	7/16"-20	18.80	18.80	18.80	3/4"	Imperial
DAUNFT30F-0606	9/16"-18	9/16"-18	9/16"-18	21.84	21.84	21.84	22 mm	Metric
DAUNFT30F-0606IN	9/16"-18	9/16"-18	9/16"-18	21.84	21.84	21.84	7/8"	Imperial
DAUNFT30F-0808	3/4"-16	3/4"-16	3/4"-16	26.16	26.16	26.16	27 mm	Metric
DAUNFT30F-0808IN	3/4"-16	3/4"-16	3/4"-16	26.16	26.16	26.16	1-1/16"	Imperial
DAUNFT30F-1010	7/8"-14	7/8"-14	7/8"-14	29.97	29.97	29.97	27 mm	Metric
DAUNFT30F-1010IN	7/8"-14	7/8"-14	7/8"-14	29.97	29.97	29.97	1-1/16"	Imperial
DAUNFT30F-1212	1-1/16"-12	1-1/16"-12	1-1/16"-12	35.30	35.30	35.30	35 mm	Metric
DAUNFT30F-1212IN	1-1/16"-12	1-1/16"-12	1-1/16"-12	35.30	35.30	35.30	1-5/16"	Imperial
DAUNFT30F-1616	1-5/16"-12	1-5/16"-12	1-5/16"-12	38.60	38.60	38.60	42 mm	Metric
DAUNFT30F-1616IN	1-5/16"-12	1-5/16"-12	1-5/16"-12	38.60	38.60	38.60	1-5/8"	Imperial
DAUNFT30F-2020	1-5/8"-12	1-5/8"-12	1-5/8"-12	41.40	41.40	41.40	50 mm	Metric
DAUNFT30F-2020IN	1-5/8"-12	1-5/8"-12	1-5/8"-12	41.40	41.40	41.40	1-7/8"	Imperial

Web: <https://www.dmejde.com>  
E-mail: [info@dmejde.com](mailto:info@dmejde.com)



Certificate:

Web: <https://www.dmejde.com>  
E-mail: [info@dmejde.com](mailto:info@dmejde.com)



Certificate:



# Hydraulic Adaptors

# ORFS »



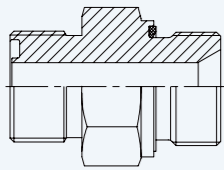
<p><b>DAOFD0000</b> P398</p> <p>ORFS Tube Nut</p>	<p><b>DAOFR000B</b> P399</p> <p>Brazed Sleeve Sleeve ORFS - Socket Welding not galvanized</p>	<p><b>DAOFR0000</b> P400</p> <p>Sleeve</p>	<p><b>DAOF51245</b> P401</p> <p>Straight Connector ORFS Male - ORFS Male</p>
<p><b>DAOF5105M</b> P402</p> <p>Straight Connector ORFS Male - BSPP 60° Male</p>	<p><b>DAOF5107M</b> P403</p> <p>Straight Connector ORFS Male - BSPT 60° Male</p>	<p><b>DAOF5128M</b> P404</p> <p>Straight Connector ORFS Male - NPTF 60° Male</p>	<p><b>DAOF5152M</b> P406</p> <p>Straight Connector ORFS Male - Metric 60° Male Cone</p>
<p><b>DAOF5125M</b> P407</p> <p>Straight Connector ORFS Male - JIC 74° Male</p>	<p><b>DAOF5105JM</b> P408</p> <p>Straight Connector ORFS Male - JIS BSPP Male 60° Cone</p>	<p><b>DAOF5105F</b> P409</p> <p>Straight Connector ORFS Male - BSPP Fixed Female</p>	<p><b>DAOF51305</b> P410</p> <p>Straight Connector ORFS Male - SAE Male + O Ring</p>
<p><b>DAOF5106Q</b> P412</p> <p>Straight ORFS Male - BSPP Male + Retaining Ring + O Ring</p>	<p><b>DAOF51065</b> P413</p> <p>Straight Connector ORFS Male - BSPP Male + O Ring</p>	<p><b>DAOF5152Q</b> P414</p> <p>Straight ORFS Male - Metric Male + Retaining Ring + O Ring</p>	<p><b>DAOF51525</b> P415</p> <p>Straight Connector ORFS Male - Metric Male + O Ring</p>





**DAOF51061**

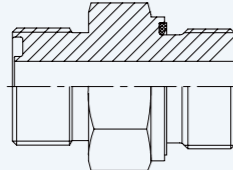
P416



Straight Connector ORFS Male -  
BSPP Male with ED Ring

**DAOF51521**

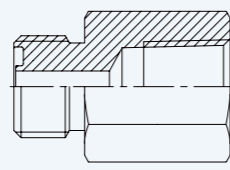
P417



Straight Connector ORFS Male -  
Metric Male with ED Ring

**DAOF5128F**

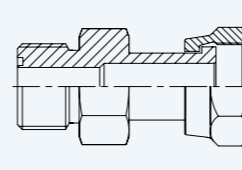
P418



Straight Connector ORFS Male - NPTF  
Fixed Female

**DAOF51241**

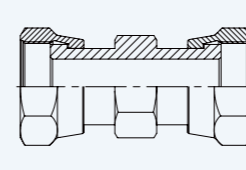
P419



Straight Connector ORFS Male -  
ORFS Swivel Female

**DAOF11241**

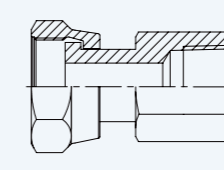
P434



Straight Connector Connector  
ORFS Swivel Female

**DAOF1128F**

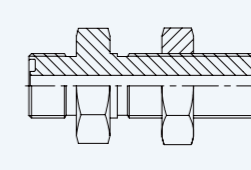
P435



Straight Connector ORFS Swivel  
Female - NPTF Fixed Male

**DAOF5124T**

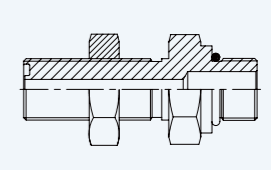
P436



Straight Connector Bulkhead ORFS  
Male - ORFS Male

**DAOFT1305**

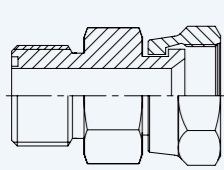
P437



Straight Connector Bulkhead  
ORFS Male - SAE Male O Ring

**DAOF51251**

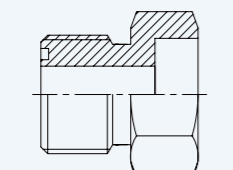
P421



Straight Connector ORFS Male -  
JIC 74° Swivel Female

**DAOF5100B**

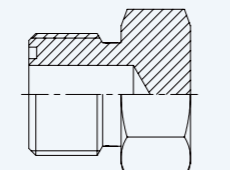
P422



Straight Connector ORFS Male - Metric /  
Imperial Tube - Socket Welding-SW

**DAOF51000**

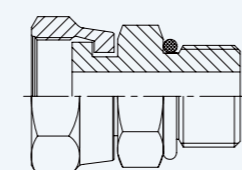
P423



ORFS Male Plug

**DAOF11305**

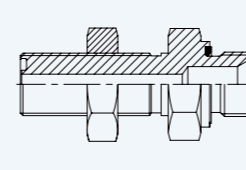
P424



Straight Connector ORFS Swivel  
Female - SAE Male O Ring

**DAOFT1061**

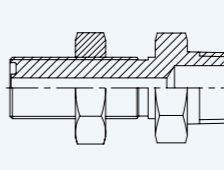
P438



Straight Connector Bulkhead ORFS Male  
- BSPP 60° Male 60° with ED Ring

**DAOFT128M**

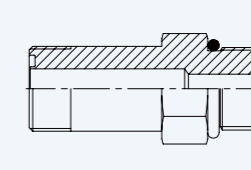
P439



Straight Connector Bulkhead  
ORFS Male - NPTF Male 60°

**DAOF5130J**

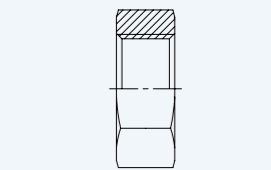
P440



Straight Long Connector ORFS  
Male - SAE Male + O Ring

**DAOFLN**

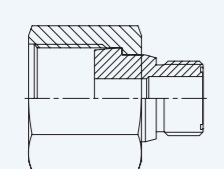
P441



ORFS Bulkhead Nut

**DAOF31245**

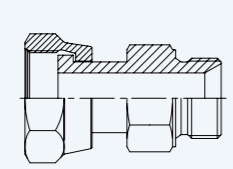
P425



Straight Connector ORFS Swivel  
Female - ORFS Male

**DAOF1105M**

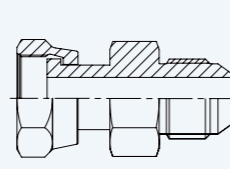
P427



Straight Connector ORFS Female  
Swivel - BSPP 60° Male Cone

**DAOF1125M**

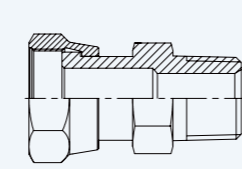
P428



Straight Connector ORFS Swivel  
Female - JIC 74° Male

**DAOF1107M**

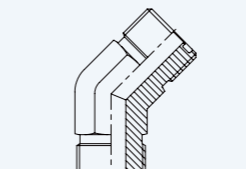
P429



Straight Connector ORFS Swivel  
Female - BSPT Male 60° Cone

**DAOF54245**

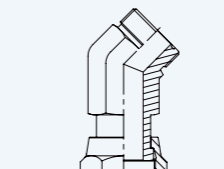
P442



45° Adjustable Elbow ORFS Male  
- ORFS Male

**DAOF54241**

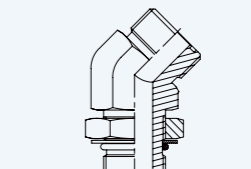
P443



45° Elbow Connector ORFS Male  
- ORFS Swivel Female

**DAOF54305**

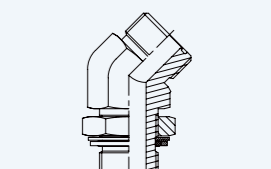
P444



45° Adjustable Elbow ORFS Male  
- SAE Male O Ring

**DAOF5406Q**

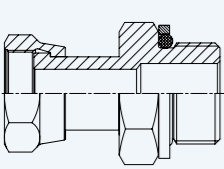
P446



45° Adjustable Elbow ORFS Male -  
BSPP Male + O Ring + Retaining Ring

**DAOF1106Q**

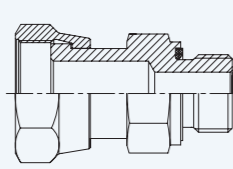
P430



Straight Connector ORFS Male - BSPT  
Male + O Ring + Retaining Ring

**DAOF11061**

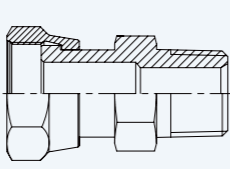
P431



Straight Connector ORFS Swivel  
Female - BSPP Male with ED Ring

**DAOF1128M**

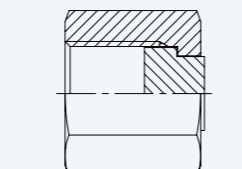
P432



Straight Connector ORFS Swivel  
Female - NPTF 60° Male

**DAOF31000**

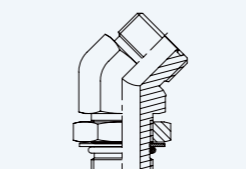
P433



ORFS Female Cap

**DAOF54065**

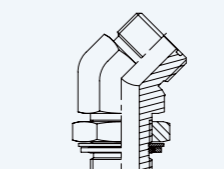
P447



45° Adjustable Elbow ORFS Male  
- BSPP Male + O Ring

**DAOF5452Q**

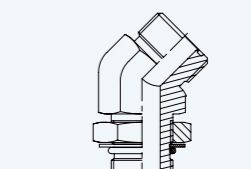
P448



45° Adjustable Elbow ORFS Male -  
Metric Male + O Ring + Retaining Ring

**DAOF54525**

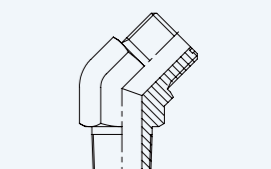
P449



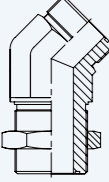
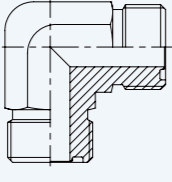
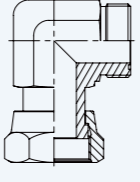
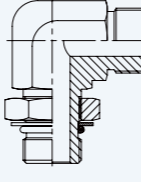
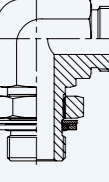
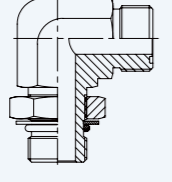
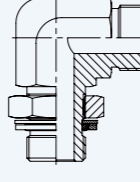
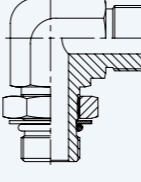
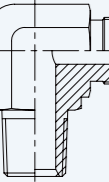
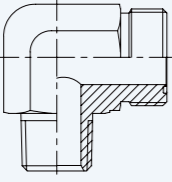
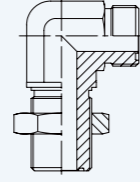
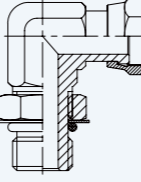
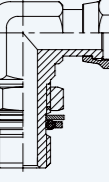
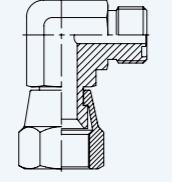
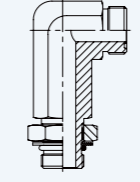
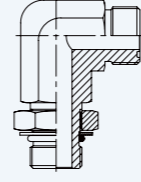
45° Adjustable Elbow ORFS Male -  
Metric Male + O Ring

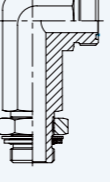
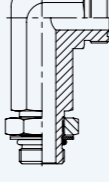
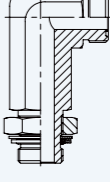
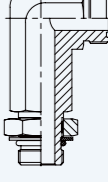
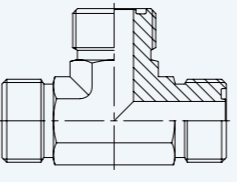
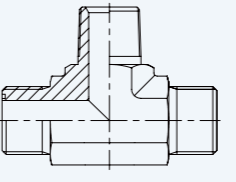
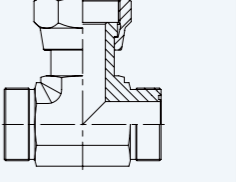
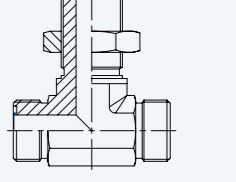
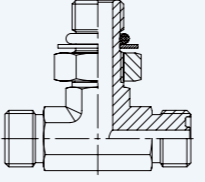
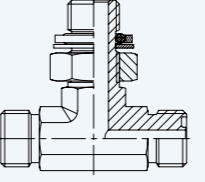
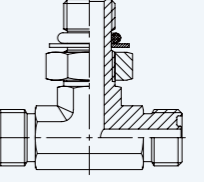
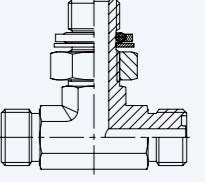
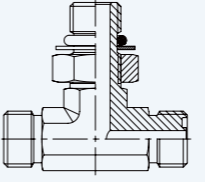
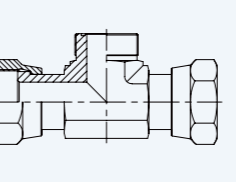
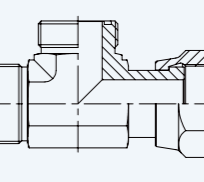
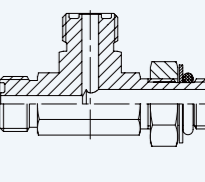
**DAOF5428M**

P450



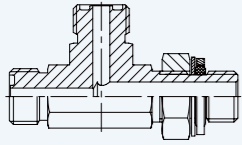
45° Elbow Connector ORFS Male -  
NPTF Male

<p><b>DAOF5424T</b> P451</p>  <p>45° Bulkhead Elbow ORFS Male - ORFS Male</p>	<p><b>DAOF59245</b> P452</p>  <p>90° Elbow Connector ORFS Male - ORFS Male</p>	<p><b>DAOF59241</b> P453</p>  <p>90° Elbow Connector ORFS Male - ORFS Swivel Female</p>	<p><b>DAOF59305</b> P454</p>  <p>90° Adjustable Elbow ORFS Male - SAE Male O Ring</p>
<p><b>DAOF5906Q</b> P456</p>  <p>90° Adjustable Elbow ORFS Male - BSPP Male + O Ring + Retaining Ring</p>	<p><b>DAOF59065</b> P457</p>  <p>90° Adjustable Elbow ORFS Male - BSPP Male + O Ring</p>	<p><b>DAOF5952Q</b> P458</p>  <p>90° Adjustable Elbow ORFS Male - Metric Male + O Ring + Retaining Ring</p>	<p><b>DAOF59525</b> P459</p>  <p>90° Adjustable Elbow ORFS Male - Metric Male + O Ring</p>
<p><b>DAOF5928M</b> P460</p>  <p>90° Elbow Connector ORFS Male - NPTF Male 60°</p>	<p><b>DAOF5907M</b> P462</p>  <p>90° Elbow Connector ORFS Male - BSPT Male</p>	<p><b>DAOF5924T</b> P463</p>  <p>90° Elbow Bulkhead Connector ORFS Male - ORFS Male</p>	<p><b>DAOF19305</b> P464</p>  <p>90° Adjustable Elbow ORFS Female Swivel - SAE Male O Ring</p>
<p><b>DAOF1906Q</b> P465</p>  <p>90° Adjustable Elbow ORFS Female Swivel - BSPP Male + O Ring + Retaining Ring</p>	<p><b>DAOF59251</b> P466</p>  <p>90° Elbow ORFS Male - JIC Swivel Female 74°</p>	<p><b>DAOF5930J</b> P467</p>  <p>90° Adjustable Long Elbow ORFS Male - SAE Male O Ring</p>	<p><b>DAOF59305-LL</b> P468</p>  <p>90° Adjustable X-Long Elbow ORFS Male - SAE Male O Ring</p>

<p><b>DAOF5906Y</b> P469</p>  <p>90° Adjustable Long Elbow ORFS Male - BSPP Male + O Ring + Retaining Ring</p>	<p><b>DAOF5906J</b> P470</p>  <p>90° Adjustable Long Elbow ORFS Male - BSPP Male + O Ring</p>	<p><b>DAOF5952Y</b> P471</p>  <p>90° Adjustable Long Elbow ORFS Male - Metric Male + O Ring + Retaining Ring</p>	<p><b>DAOF5952J</b> P472</p>  <p>90° Adjustable Long Elbow ORFS Male - Metric Male + O Ring</p>
<p><b>DAOF5T245</b> P473</p>  <p>Tee Connector ORFS Male</p>	<p><b>DAOF5T28M</b> P474</p>  <p>Branch Tee Connector ORFS Male - NPTF Male</p>	<p><b>DAOF5T241</b> P475</p>  <p>Branch Tee Connector ORFS Male - ORFS Swivel Female</p>	<p><b>DAOF5T24T</b> P476</p>  <p>Branch Tee Bulkhead Connector ORFS Male - ORFS Male</p>
<p><b>DAOF5T305</b> P477</p>  <p>Branch Adjustable Tee ORFS Male - SAE Male O Ring</p>	<p><b>DAOF5T06Q</b> P478</p>  <p>Branch Adjustable Tee ORFS Male - BSPP Male + O Ring + Retaining Ring</p>	<p><b>DAOF5T065</b> P479</p>  <p>Branch Adjustable Tee ORFS Male - BSPP Male + O Ring</p>	<p><b>DAOF5T52Q</b> P480</p>  <p>Branch Adjustable Tee ORFS Male - Metric Male + O Ring + Retaining Ring</p>
<p><b>DAOF5T525</b> P481</p>  <p>Branch Adjustable Tee ORFS Male - Metric Male + O Ring</p>	<p><b>DAOF3T245</b> P482</p>  <p>Branch Tee ORFS Swivel Female - ORFS Male</p>	<p><b>DAOF5L241</b> P483</p>  <p>Run Tee Connector ORFS Male - ORFS Swivel Female</p>	<p><b>DAOF5L305</b> P484</p>  <p>Run Adjustable Tee ORFS Male - SAE Male O Ring</p>

**DAOF5L06Q**

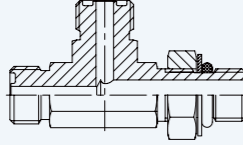
P486



Run Adjustable Tee ORFS Male -  
BSPP Male + O Ring + Retaining Ring

**DAOF5L06S**

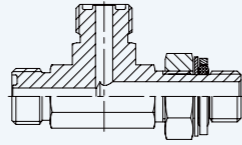
P487



Run Adjustable Tee ORFS Male -  
BSPP Male + O Ring

**DAOF5L52Q**

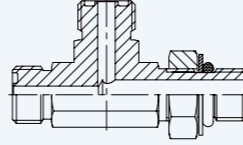
P488



Run Adjustable Tee ORFS Male -  
Metric Male + O Ring + Retaining Ring

**DAOF5L52S**

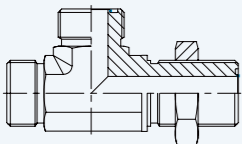
P489



Run Adjustable Tee ORFS Male -  
Metric Male + O Ring

**DAOF5L24T**

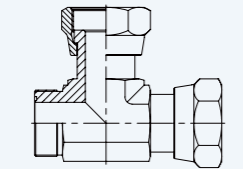
P490



Run Tee Bulkhead Connector ORFS  
Male - ORFS Male

**DAOF3L24S**

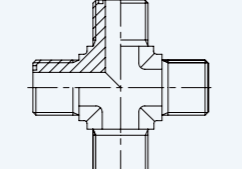
P491



Run Tee ORFS Swivel Female - ORFS  
Male

**DAOF5X24S**

P492



Cross Connector ORFS Male

**DAOFD0000**

ORFS Tube Nut

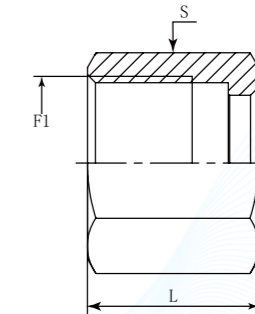
<b>D</b>	<b>A</b>	<b>OF</b>	<b>D</b>	<b>O</b>	<b>000</b>
Company	Product Range	Thread Types	Sealing Type	Compatible Type	Other Features
<b>DME</b>	Adaptor	ORFS UNF	Welding	Tube	Nut/Plug

German Technology Equipment

**SHIELD FLEX**

New-Standard

- DME&JDE Code: **DAOFD0000**
- Product Type: **Hydraulic adaptor**
- Standard: **ORFS**
- Thread types: **UNF**
- Other Features: **Nut/Plug**
- Sealing Method: **Welding**



PART NUMBER	F1 (Thread)	L	S	Hex
#	UNF	mm	-	-
DAOFD0000-0400	9/16"-18	14.73	17 mm	Metric
DAOFD0000-0400IN	9/16"-18	14.73	11/16"	Imperial
DAOFD0000-0600	11/16"-16	17.02	22 mm	Metric
DAOFD0000-0600IN	11/16"-16	17.02	13/16"	Imperial
DAOFD0000-0800	13/16"-16	21.01	24 mm	Metric
DAOFD0000-0800IN	13/16"-16	21.01	15/16"	Imperial
DAOFD0000-1000	1"-14	23.50	30 mm	Metric
DAOFD0000-1000IN	1"-14	23.50	1-1/8"	Imperial
DAOFD0000-1200	1-3/16"-12	26.50	36 mm	Metric
DAOFD0000-1200IN	1-3/16"-12	26.50	1-3/8"	Imperial
DAOFD0000-1600	1-7/16"-12	27.81	41 mm	Metric
DAOFD0000-1600IN	1-7/16"-12	27.81	1-5/8"	Imperial
DAOFD0000-2000	1-11/16"-12	27.80	50 mm	Metric
DAOFD0000-2000IN	1-11/16"-12	27.80	1-7/8"	Imperial
DAOFD0000-2400	2"-12	27.80	60 mm	Metric
DAOFD0000-2400IN	2"-12	27.80	2-1/4"	Imperial





## DAOFR000B

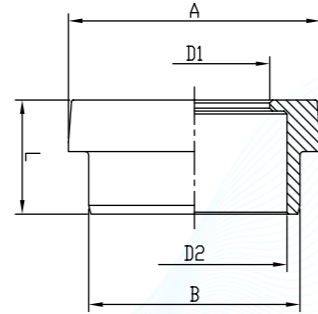
Braze Sleeve Sleeve ORFS - Socket Welding not galvanized

<b>D</b>	<b>A</b>	<b>OF</b>	<b>R</b>	<b>000</b>	<b>B</b>
Company	Product Range	Thread Types	Nut Type	Other Features	Sleeve Type
<b>DME</b>	Adaptor	ORFS UNF	Sleeve	Nut/Plug	Braze

German Technology Equipment

**SHIELD FLEX**

New-Standard



DME&JDE Code: **DAOFR000B**

Product Type: **Hydraulic adaptor**

Adaptor Standard: **ORFS**

Other Features: **Nut/Plug**

PART NUMBER	Tube OD	A	B	D	L
-	-	mm	mm	mm	mm
DAOFR0000-0605	5	12.75	10.21	5.10	7.50
DAOFR0000-0606	6	15.75	13.26	6.10	8.50
DAOFR0000-0604IN	1/4"	12.75	10.21	6.50	7.50
DAOFR0000-1010	10	23.44	20.75	10.10	10.50
DAOFR0000-1006IN	3/8"	15.75	13.26	9.68	8.50
DAOFR0000-1212	12	27.86	23.77	12.10	12.00
DAOFR0000-1208IN	1/2"	18.92	16.31	12.85	10.50
DAOFR0000-1616	16	34.21	28.70	16.10	13.50
DAOFR0000-1610IN	5/8"	23.44	20.75	16.03	10.50
DAOFR0000-2020	20	40.56	35.59	20.10	13.00
DAOFR0000-2012IN	3/4"	27.86	23.77	19.23	12.00
DAOFR0000-2424	24	48.51	43.54	24.10	12.50
DAOFR0000-2516IN	1"	34.21	28.70	25.58	13.50
DAOFR0000-3220IN	1-1/4"	40.56	35.59	31.93	13.00
DAOFR0000-3824IN	1-1/2"	48.51	43.54	38.28	12.50



## DAOFR0000

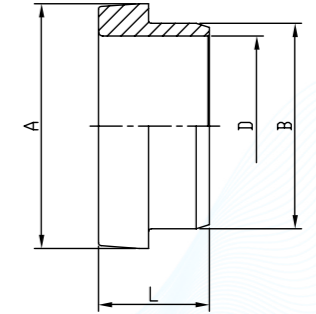
Sleeve

<b>D</b>	<b>A</b>	<b>OF</b>	<b>R</b>	<b>O</b>	<b>000</b>
Company	Product Range	Connection Type	Nut Type	Compatible Type	Other Features
<b>DME</b>	Adaptor	ORFS UNF	Sleeve	Tube	Nut/Plug

German Technology Equipment

**SHIELD FLEX**

New-Standard



DME&JDE Code: **DAOFR0000**

Product Type: **Hydraulic adaptor**

Standard: **ORFS**

Other Features: **Nut/Plug**

PART NUMBER	Tube OD	A	B	D	L
-	-	mm	mm	mm	mm
DAOFR0000-0604IN	1/4"	12.75	10.21	6.50	7.50
DAOFR0000-0605	5 mm	12.75	10.21	5.10	7.50
DAOFR0000-0606	6 mm	15.75	13.26	6.10	8.50
DAOFR0000-1006IN	3/8"	15.75	13.26	9.68	8.50
DAOFR0000-1010	10 mm	23.44	20.75	10.10	10.50
DAOFR0000-1208IN	1/2"	18.92	16.31	12.85	10.50
DAOFR0000-1212	12 mm	27.86	23.77	12.10	12.00
DAOFR0000-1610IN	5/8"	23.44	20.75	16.03	10.50
DAOFR0000-1616	16 mm	34.21	28.70	16.10	13.50
DAOFR0000-2012IN	3/4"	27.86	23.77	19.23	12.00
DAOFR0000-2020	20 mm	40.56	35.59	20.10	13.00
DAOFR0000-2424	24 mm	48.51	43.54	24.10	12.50
DAOFR0000-2516IN	1"	34.21	28.70	25.58	13.50
DAOFR0000-3220IN	1-1/4"	40.56	35.59	31.93	13.00
DAOFR0000-3824IN	1-1/2"	48.51	43.54	38.28	12.50



# DAOF51245

Straight Connector ORFS Male - ORFS Male

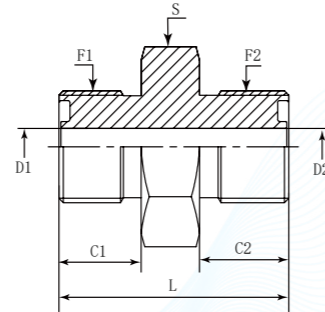
<b>D</b>	<b>A</b>	<b>OF</b>	<b>5</b>	<b>1</b>	<b>24</b>	<b>5</b>
Company	Product Range	Thread Types	Sealing Type	Adaptor Structure	Thread Types	Sealing Type
<b>DME</b>	Adaptor	ORFS UNF	Male+O Ring	Straight	ORFS	Male + O Ring

German Technology Equipment

**SHIELD FLEX**

New-Standard

- DME&JDE Code:** DAOF51245
- Product Type:** Hydraulic adaptor
- Standard:** ORFS
- Structure:** Straight
- Connection Type:** Male x Male
- Thread Types:** UNF x UNF
- Sealing Method:** O ring



PART NUMBER	F1 (Thread)	F2 (Thread)	C1	C2	D1	D2	L	S	Hex
#	UNF	UNF	mm	mm	mm	mm	mm	-	-
DAOF51245-0404	9/16"-18	9/16"-18	9.80	9.80	4.37	4.37	27.40	17 mm	Metric
DAOF51245-0404IN	9/16"-18	9/16"-18	9.80	9.80	4.37	4.37	27.40	5/8"	Imperial
DAOF51245-0604	11/16"-16	9/16"-18	11.20	9.80	6.71	4.37	29.70	19 mm	Metric
DAOF51245-0606	11/16"-16	11/16"-16	11.20	11.20	6.50	6.50	31.00	19 mm	Metric
DAOF51245-0604IN	11/16"-16	9/16"-18	11.20	9.80	6.71	4.37	29.70	3/4"	Imperial
DAOF51245-0606IN	11/16"-16	11/16"-16	11.20	11.20	6.50	6.50	31.00	3/4"	Imperial
DAOF51245-0806	13/16"-16	11/16"-16	12.80	11.20	6.71	6.71	33.80	22 mm	Metric
DAOF51245-0808	13/16"-16	13/16"-16	13.00	13.00	9.60	9.60	35.50	22 mm	Metric
DAOF51245-0806IN	13/16"-16	11/16"-16	12.80	11.20	6.71	6.71	33.80	7/8"	Imperial
DAOF51245-0808IN	13/16"-16	13/16"-16	13.00	13.00	9.60	9.60	35.50	7/8"	Imperial
DAOF51245-1008	13/16"-16	1"-14	15.49	12.80	12.29	9.60	39.90	27 mm	Metric
DAOF51245-1010	1"-14	1"-14	15.50	15.50	12.50	12.50	42.50	27 mm	Metric
DAOF51245-1008IN	13/16"-16	1"-14	15.49	12.80	12.29	9.60	39.90	1-1/16"	Imperial
DAOF51245-1010IN	1"-14	1"-14	15.50	15.50	12.50	12.50	42.50	1-1/16"	Imperial
DAOF51245-1206	1-3/16"-12	11/16"-16	17.02	11.20	15.47	6.71	41.40	32 mm	Metric
DAOF51245-1208	1-3/16"-12	13/16"-16	17.02	12.80	15.47	9.60	43.00	32 mm	Metric
DAOF51245-1210	1-3/16"-12	1"-14	17.02	15.49	15.50	12.50	45.70	32 mm	Metric
DAOF51245-1212	1-3/16"-12	1-3/16"-12	17.02	17.02	15.47	15.47	47.20	32 mm	Metric
DAOF51245-1206IN	1-3/16"-12	11/16"-16	17.02	11.20	15.47	6.71	41.40	1-3/4"	Imperial
DAOF51245-1208IN	1-3/16"-12	13/16"-16	17.02	12.80	15.47	9.60	43.00	1-1/4"	Imperial
DAOF51245-1210IN	1-3/16"-12	1"-14	17.02	15.49	15.50	12.50	45.70	1-1/4"	Imperial
DAOF51245-1212IN	1-3/16"-12	1-3/16"-12	17.02	17.02	15.47	15.47	47.20	1-1/4"	Imperial
DAOF51245-1612	1-7/16"-12	1-3/16"-12	17.50	17.02	20.60	15.47	48.80	41 mm	Metric
DAOF51245-1616	1-7/16"-12	1-7/16"-12	17.50	17.50	20.60	20.60	49.30	41 mm	Metric
DAOF51245-1612IN	1-7/16"-12	1-3/16"-12	17.50	17.02	20.60	15.47	48.80	1-1/2"	Imperial
DAOF51245-1616IN	1-7/16"-12	1-7/16"-12	17.50	17.50	20.60	20.60	49.30	1-1/2"	Imperial
DAOF51245-2016	1-11/16"-12	1-7/16"-12	17.50	17.50	26.00	20.60	51.30	46 mm	Metric
DAOF51245-2020	1-11/16"-12	1-11/16"-12	17.50	17.50	26.00	26.00	51.30	46 mm	Metric
DAOF51245-2016IN	1-11/16"-12	1-7/16"-12	17.50	17.50	26.00	20.60	51.30	1-3/4"	Imperial
DAOF51245-2020IN	1-11/16"-12	1-11/16"-12	17.50	17.50	26.00	26.00	51.30	1-3/4"	Imperial
DAOF51245-2424	2"-12	2"-12	17.50	17.50	32.00	32.00	53.00	55 mm	Metric
DAOF51245-2424IN	2"-12	2"-12	17.50	17.50	32.00	32.00	53.00	2-1/8"	Imperial
DAOF51245-3224	2-1/2"-12	2"-12	22.25	17.50	45.00	32.00	61.00	67 mm	Metric
DAOF51245-3232	2-1/2"-12	2-1/2"-12	22.25	22.25	45.00	45.00	66.00	67 mm	Metric
DAOF51245-3224IN	2-1/2"-12	2"-12	22.25	17.50	45.00	32.00	61.00	2-5/8"	Imperial
DAOF51245-3232IN	2-1/2"-12	2-1/2"-12	22.25	22.25	45.00	45.00	66.00	2-5/8"	Imperial

# DAOF5105M

Straight Connector ORFS Male - BSPP 60° Male

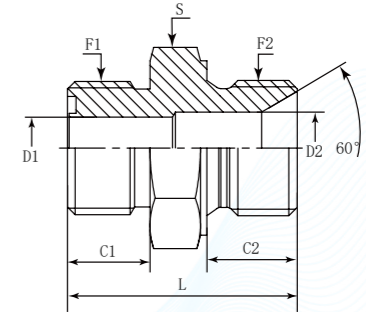
<b>D</b>	<b>A</b>	<b>OF</b>	<b>5</b>	<b>1</b>	<b>05</b>	<b>M</b>
Company	Product Range	Thread Types	Connection Type	Adaptor Structure	Thread Types	Connection Type
<b>DME</b>	Adaptor	ORFS UNF	Male	Straight	BSPP	Male

German Technology Equipment

**SHIELD FLEX**

New-Standard

- DME&JDE Code:** DAOF5105M
- Product Type:** Hydraulic adaptor
- Standard:** ORFS
- Structure:** Straight
- Connection Type:** Male x Male
- Thread Types:** UNF x BSPP 60°



PART NUMBER	F1 (Thread)	F2 (Thread)	C1	C2	D1	D2	L	S
#	UNF	BSPP	mm	mm	mm	mm	mm	mm
DAOF5105M-0402	9/16"-20	1/8"-28	9.80	9.00	3.50	3.50	24.50	17.00
DAOF5105M-0404	9/16"-18	1/4"-19	9.80	11.00	4.37	4.37	29.00	19.00
DAOF5105M-0406	9/16"-18	3/8"-19	9.80	12.00	4.37	7.90	29.50	22.00
DAOF5105M-0408	9/16"-18	1/2"-14	9.80	14.00	4.37	11.10	31.80	27.00
DAOF5105M-0602	11/16"-16	1/8"-28	11.20	8.00	6.71	3.50	28.00	19.00
DAOF5105M-0604	11/16"-16	1/4"-19	11.20	11.00	6.71	4.70	30.00	19.00
DAOF5105M-0606	11/16"-16	3/8"-19	11.20	12.00	6.71	6.71	32.00	22.00
DAOF5105M-0608	11/16"-16	1/2"-14	11.20	14.00	6.71	11.10	35.00	27.00
DAOF5105M-0804	13/16"-16	1/4"-19	12.80	11.00	9.60	4.70	32.50	22.00
DAOF5105M-0806	13/16"-16	3/8"-19	12.80	12.00	9.60	7.90	32.50	22.00
DAOF5105M-0808	13/16"-16	1/2"-14	12.80	14.00	9.60	9.60	36.50	27.00
DAOF5105M-0812	13/16"-16	3/4"-14	12.80	16.00	9.60	16.70	40.50	32.00
DAOF5105M-1006	1"-14	3/8"-19	15.50	12.00	12.30	7.90	36.00	27.00
DAOF5105M-1008	1"-14	1/2"-14	15.50	14.00	12.30	11.10	37.80	27.00
DAOF5105M-1010	1"-14	5/8"-14	15.50	16.00	12.30	12.30	43.50	30.00
DAOF5105M-1012	1"-14	3/4"-14	15.50	16.00	12.50	16.70	41.00	32.00
DAOF5105M-1208	1-3/16"-12	1/2"-14	17.02	14.00	11.10	11.10	44.00	32.00
DAOF5105M-1210	1-3/16"-12	5/8"-14	17.02	16.00	14.00	14.00	45.00	32.00
DAOF5105M-1212	1-3/16"-12	3/4"-14	17.02	16.00	15.47	16.70	45.00	32.00
DAOF5105M-1216	1-3/16"-12	1"-11	17.02	19.00	15.47	22.22	47.00	41.00
DAOF5105M-1612	1-7/16"-12	3/4"-14	17.50	16.00	20.60	16.70	44.50	41.00
DAOF5105M-1616	1-7/16"-12	1"-11	17.50	19.00	20.60	20.60	50.00	41.00
DAOF5105M-1620	1-7/16"-12	1-1/4"-11	17.50	20.00	20.60	20.60	54.00	50.00
DAOF5105M-2016	1-11/16"-12	1"-11	17.50	19.00	26.00	22.20	50.00	46.00
DAOF5105M-2020	1-11/16"-12	1-1/4"-11	17.50	20.00	26.00	28.60	52.00	50.00
DAOF5105M-2024	1-11/16"-12	1-1/2"-11	17.50	22.00	26.00	33.30	54.50	55.00

Web: <https://www.dmejde.com>  
E-mail: [info@dmejde.com](mailto:info@dmejde.com)

Web: <https://www.dmejde.com>  
E-mail: [info@dmejde.com](mailto:info@dmejde.com)



Certificate:

Certificate:

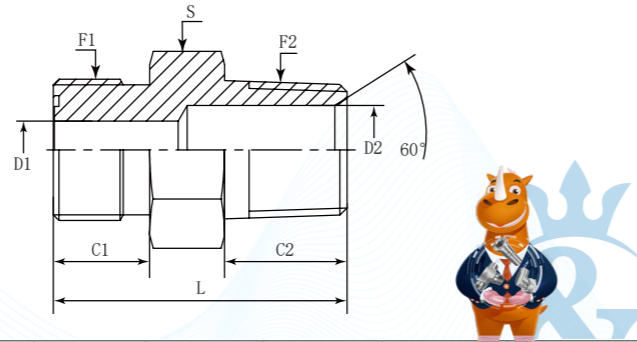
## DAOF5107M

Straight Connector ORFS Male - BSPT 60° Male

<b>D</b>	<b>A</b>	<b>OF</b>	<b>5</b>	<b>1</b>	<b>07</b>	<b>M</b>
Company	Product Range	Thread Types	Connection Type	Adaptor Structure	Thread Types	Connection Type
<b>DME</b>	Adaptor	ORFS UNF	Male	Straight	BSPT	Male



<b>DME&amp;JDE Code:</b>	DAOF5107M
<b>Product Type</b>	Hydraulic adaptor
<b>Standard:</b>	ORFS
<b>Structure:</b>	Straight
<b>Connection Type:</b>	Male x Male
<b>Thread Types:</b>	UNF x BSPT 60°



PART NUMBER	F1 (Thread)	F2 (Thread)	C1	C2	D1	D2	L	S
#	UNF	BSPT	mm	mm	mm	mm	mm	mm
DAOF5107M-0402	9/16"-18	1/8"-28	9.80	10.00	4.37	4.37	27.50	15.88
DAOF5107M-0404	9/16"-18	1/4"-19	9.80	14.00	4.37	6.00	32.00	17.00
DAOF5107M-0406	9/16"-18	3/8"-19	9.80	15.00	4.50	9.00	32.50	19.00
DAOF5107M-0408	9/16"-18	1/2"-14	9.80	19.00	4.50	12.00	38.60	22.00
DAOF5107M-0602	11/16"-16	1/8"-28	11.20	10.00	6.71	4.50	29.50	19.05
DAOF5107M-0604	11/16"-16	1/4"-19	11.20	14.00	6.00	6.00	34.00	19.00
DAOF5107M-0606	11/16"-16	3/8"-19	11.20	15.00	6.71	9.00	34.50	19.05
DAOF5107M-0608	11/16"-16	1/2"-14	11.20	19.00	6.71	12.00	40.00	22.00
DAOF5107M-0804	13/16"-16	1/4"-19	12.80	14.00	9.50	6.00	36.50	22.00
DAOF5107M-0806	13/16"-16	3/8"-19	12.80	15.00	9.50	9.50	36.50	22.00
DAOF5107M-0808	13/16"-16	1/2"-14	12.80	19.00	9.60	12.00	41.50	22.00
DAOF5107M-0812	13/16"-16	3/4"-14	12.80	20.00	9.50	16.70	43.50	30.00
DAOF5107M-1008	1"-14	1/2"-14	15.49	19.00	12.00	12.00	46.00	27.00
DAOF5107M-1012	1"-14	3/4"-14	15.49	20.00	12.50	16.70	47.00	32.00
DAOF5107M-1208	1-3/16"-12	1/2"-14	17.02	19.00	15.50	12.00	49.50	32.00
DAOF5107M-1212	1-3/16"-12	3/4"-14	17.02	20.00	15.47	15.47	49.50	32.00
DAOF5107M-1216	1-3/16"-12	1"-11	17.02	24.00	15.50	22.20	54.00	36.00
DAOF5107M-1612	1-7/16"-12	3/4"-14	17.50	20.00	20.60	16.70	51.00	38.10
DAOF5107M-1616	1-7/16"-12	1"-11	17.50	24.00	20.60	22.20	55.50	38.10

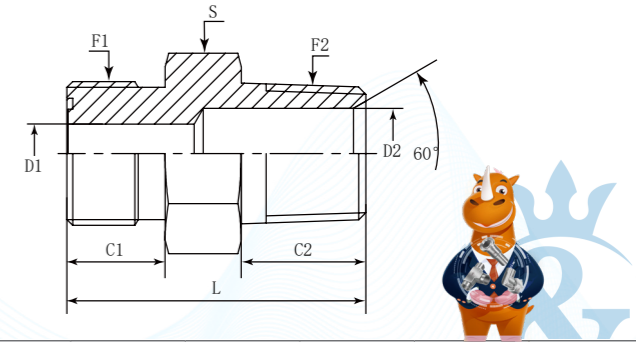
## DAOF5128M

Straight Connector ORFS Male - NPTF 60° Male

<b>D</b>	<b>A</b>	<b>OF</b>	<b>5</b>	<b>1</b>	<b>28</b>	<b>M</b>
Company	Product Range	Thread Types	Connection Type	Adaptor Structure	Thread Types	Connection Type
<b>DME</b>	Adaptor	ORFS UNF	Male	Straight	NPTF	Male



<b>DME&amp;JDE Code:</b>	DAOF5128M
<b>Product Type</b>	Hydraulic adaptor
<b>Standard:</b>	ORFS
<b>Structure:</b>	Straight
<b>Connection Type:</b>	Male x Male
<b>Thread Types:</b>	UNF x NPTF 60°



PART NUMBER	F1 (Thread)	F2 (Thread)	C1	C2	D1	D2	L	S	Hex
#	UNF	NPTF	mm	mm	mm	mm	mm	-	-
DAOF5128M-0402	9/16"-18	1/8"-27	9.80	9.65	4.37	4.37	27.40	17 mm	Metric
DAOF5128M-0404	9/16"-18	1/4"-18	9.80	14.22	4.37	4.37	32.00	17 mm	Metric
DAOF5128M-0406	9/16"-18	3/8"-18	9.80	14.22	4.37	10.31	32.00	19 mm	Metric
DAOF5128M-0408	9/16"-18	1/2"-14	9.80	19.05	4.37	13.49	38.60	22 mm	Metric
DAOF5128M-0402IN	9/16"-18	1/8"-27	9.80	9.65	4.37	4.37	27.40	5/8"	Imperial
DAOF5128M-0404IN	9/16"-18	1/4"-18	9.80	14.22	4.37	4.37	32.00	5/8"	Imperial
DAOF5128M-0406IN	9/16"-18	3/8"-18	9.80	14.22	4.37	10.31	32.00	3/4"	Imperial
DAOF5128M-0408IN	9/16"-18	1/2"-14	9.80	19.05	4.37	13.49	38.60	7/8"	Imperial
DAOF5128M-0602	11/16"-16	1/8"-27	11.20	9.65	6.71	4.78	29.60	19 mm	Metric
DAOF5128M-0604	11/16"-16	1/4"-18	11.20	14.22	6.71	7.14	34.04	19 mm	Metric
DAOF5128M-0606	11/16"-16	3/8"-18	11.20	14.22	6.50	6.50	34.04	19 mm	Metric
DAOF5128M-0608	11/16"-16	1/2"-14	11.20	19.05	6.71	13.49	40.05	22 mm	Metric
DAOF5128M-0612	11/16"-16	3/4"-14	11.20	19.05	6.71	18.26	41.00	27 mm	Metric
DAOF5128M-0602IN	11/16"-16	1/8"-27	11.20	9.65	6.71	4.78	29.60	3/4"	Imperial
DAOF5128M-0604IN	11/16"-16	1/4"-18	11.20	14.22	6.71	7.14	34.04	3/4"	Imperial
DAOF5128M-0606IN	11/16"-16	3/8"-18	11.20	14.22	6.50	6.50	34.04	3/4"	Imperial
DAOF5128M-0608IN	11/16"-16	1/2"-14	11.20	19.05	6.71	13.49	40.05	7/8"	Imperial
DAOF5128M-0612IN	11/16"-16	3/4"-14	11.20	19.05	6.71	18.26	41.00	1-1/16"	Imperial
DAOF5128M-0804	13/16"-16	1/4"-18	12.80	14.22	9.60	7.14	36.80	22 mm	Metric
DAOF5128M-0806	13/16"-16	3/8"-18	12.80	14.22	9.60	9.60	36.82	22 mm	Metric



DAOF5128M-0808	13/16"-16	1/2"-14	12.80	19.05	9.50	13.49	41.65	22 mm	Metric
DAOF5128M-0812	13/16"-16	3/4"-14	12.80	19.05	9.60	18.26	42.90	27 mm	Metric
DAOF5128M-0816	13/16"-16	1"-11-1/2	12.80	23.88	9.60	23.83	50.00	36 mm	Metric
DAOF5128M-0804IN	13/16"-16	1/4"-18	12.80	14.22	9.60	7.14	36.80	7/8"	Imperial
DAOF5128M-0806IN	13/16"-16	3/8"-18	12.80	14.22	9.60	9.60	36.82	7/8"	Imperial
DAOF5128M-0808IN	13/16"-16	1/2"-14	12.80	19.05	9.50	13.49	41.65	7/8"	Imperial
DAOF5128M-0812IN	13/16"-16	3/4"-14	12.80	19.05	9.60	18.26	42.90	1-1/16"	Imperial
DAOF5128M-0816IN	13/16"-16	1"-11-1/2	12.80	23.88	9.60	23.83	50.00	1-3/8"	Imperial
DAOF5128M-1008	1"-14	1/2"-14	15.49	19.05	12.29	12.29	46.23	27 mm	Metric
DAOF5128M-1012	1"-14	3/4"-14	15.49	19.05	12.29	18.26	46.23	32 mm	Metric
DAOF5128M-1016	1"-14	1"-11-1/2	15.49	23.88	12.29	23.83	50.50	36 mm	Metric
DAOF5128M-1008IN	1"-14	1/2"-14	15.49	19.05	12.29	12.29	46.23	1-1/16"	Imperial
DAOF5128M-1012IN	1"-14	3/4"-14	15.49	19.05	12.29	18.26	46.23	1-1/4"	Imperial
DAOF5128M-1016IN	1"-14	1"-11-1/2	15.49	23.88	12.29	23.83	50.50	1-3/8"	Imperial
DAOF5128M-1208	1-3/16"-12	1/2"-14	17.02	19.05	15.47	13.49	49.20	32 mm	Metric
DAOF5128M-1212	1-3/16"-12	3/4"-14	17.02	19.05	15.47	15.47	49.17	32 mm	Metric
DAOF5128M-1216	1-3/16"-12	1"-11-1/2	17.02	23.88	15.47	23.83	54.20	36 mm	Metric
DAOF5128M-1208IN	1-3/16"-12	1/2"-14	17.02	19.05	15.47	13.49	49.20	1-1/4"	Imperial
DAOF5128M-1212IN	1-3/16"-12	3/4"-14	17.02	19.05	15.47	15.47	49.17	1-1/4"	Imperial
DAOF5128M-1216IN	1-3/16"-12	1"-11-1/2	17.02	23.88	15.47	23.83	54.20	1-3/8"	Imperial
DAOF5128M-1612	1-7/16"-12	3/4"-14	17.50	19.05	20.60	18.26	50.90	41 mm	Metric
DAOF5128M-1616	1-7/16"-12	1"-11-1/2	17.50	23.88	20.60	23.83	55.68	41 mm	Metric
DAOF5128M-1620	1-7/16"-12	1-1/4"-11-1/2	17.50	24.64	20.60	31.75	58.40	46 mm	Metric
DAOF5128M-1624	1-7/16"-12	1-1/2"-11-1/2	17.50	25.40	20.60	20.60	54.40	50 mm	Metric
DAOF5128M-1612IN	1-7/16"-12	3/4"-14	17.50	19.05	20.60	18.26	50.90	1-1/2"	Imperial
DAOF5128M-1616IN	1-7/16"-12	1"-11-1/2	17.50	23.88	20.60	23.83	55.68	1-1/2"	Imperial
DAOF5128M-1620IN	1-7/16"-12	1-1/4"-11-1/2	17.50	24.64	20.60	31.75	58.40	1-11/16"	Imperial
DAOF5128M-1624IN	1-7/16"-12	1-1/2"-11-1/2	17.50	25.40	20.60	20.60	54.40	2"	Imperial
DAOF5128M-2016	1-11/16"-12	1"-11-1/2	17.50	23.88	26.00	23.83	57.70	46 mm	Metric
DAOF5128M-2020	1-11/16"-12	1-1/4"-11-1/2	17.50	24.64	26.00	31.75	58.40	46 mm	Metric
DAOF5128M-2024	1-11/16"-12	1-1/2"-11-1/2	17.50	25.40	26.00	38.10	56.00	50 mm	Metric
DAOF5128M-2016IN	1-11/16"-12	1"-11-1/2	17.50	23.88	26.00	23.83	57.70	1-3/4"	Imperial
DAOF5128M-2020IN	1-11/16"-12	1-1/4"-11-1/2	17.50	24.64	26.00	31.75	58.40	1-3/4"	Imperial
DAOF5128M-2024IN	1-11/16"-12	1-1/2"-11-1/2	17.50	25.40	26.00	38.10	56.00	2"	Imperial
DAOF5128M-2424	2"-12	1-1/2"-11-1/2	17.50	25.40	32.00	38.10	61.00	55 mm	Metric
DAOF5128M-2424IN	2"-12	1-1/2"-11-1/2	17.50	25.40	32.00	38.10	61.00	2-1/8"	Imperial

## DAOF5152M

Straight Connector ORFS Male - Metric 60° Male Cone

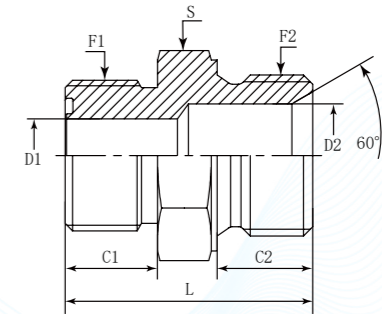
<b>D</b>	<b>A</b>	<b>OF</b>	<b>5</b>	<b>1</b>	<b>52</b>	<b>M</b>
Company	Product Range	Thread Types	Connection Type	Adaptor Structure	Thread Types	Connection Type
<b>DME</b>	Adaptor	ORFS UNF	Male + O Ring	Straight	Metric	Male

German Technology Equipment

SHIELD FLEX

New-Standard

- DME&JDE Code:** DAOF5152M
- Product Type:** Hydraulic adaptor
- Standard:** ORFS
- Structure:** Straight
- Connection Type:** Male x Male
- Thread Types:** UNF x Metric 60° Cone



PART NUMBER	F1 (Thread)	F2 (Thread)	C1	C2	D1	D2	L	S
#	BSP	BSP	mm	mm	mm	mm	mm	mm
DAOF5152M-0612	11/16"-16	M12X1.5	11.20	10.00	6.71	4.00	30.00	19.00
DAOF5152M-1027	1"-14	M27X2	15.49	16.00	12.29	18.00	41.50	32.00
DAOF5152M-1227	1-3/16"-12	M27X2	17.02	16.00	15.47	18.00	42.50	32.00
DAOF5152M-1233	1-3/16"-12	M33X2	17.02	19.00	15.47	23.00	48.00	41.00
DAOF5152M-1633	1-7/16"-12	M33X2	17.50	19.00	20.60	23.00	48.50	41.00
DAOF5152M-2042	1-11/16"-12	M42X2	17.50	20.00	26.00	30.00	51.00	50.00
DAOF5152M-2448	2"-12	M48X2	17.50	22.00	32.00	36.00	53.00	55.00

## DAOF5125M

Straight Connector ORFS Male - JIC 74° Male

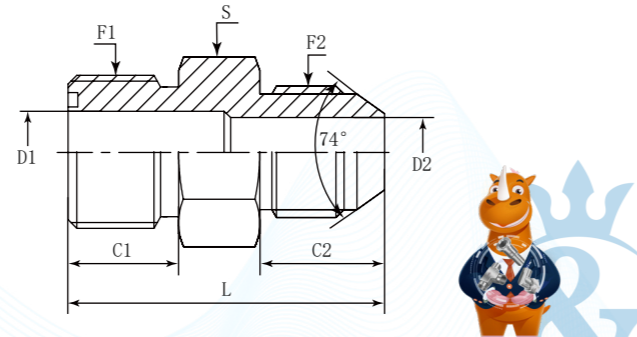
<b>D</b>	<b>A</b>	<b>OF</b>	<b>5</b>	<b>1</b>	<b>25</b>	<b>M</b>
Company	Product Range	Thread Types	Connection Type	Adaptor Structure	Thread Types	Connection Type
<b>DME</b>	Adaptor	ORFS UNF	Male	Straight	JIC UNF	Male

**German Technology Equipment**

**SHIELD FLEX**

New-Standard

- DME&JDE Code:** DAOF5125M
- Product Type:** Hydraulic adaptor
- Standard:** ORFS
- Structure:** Straight
- Connection Type:** Male x Male
- Thread Types:** UNF x UNF 74° Cone



PART NUMBER	F1 (Thread)	F2 (Thread)	C	L	D1	D2	S	S1	Hex
#	UNF	UNF	mm	mm	mm	mm	-	-	-
DAOF5125M-0404	9/16"-18	7/16"-20	9.80	13.97	4.37	4.37	31.70	17 mm	Metric
DAOF5125M-0404IN	9/16"-18	7/16"-20	9.80	13.97	4.37	4.37	31.70	5/8"	Imperial
DAOF5125M-0604	11/16"-16	7/16"-20	11.20	13.97	6.71	4.37	33.50	19 mm	Metric
DAOF5125M-0606	11/16"-16	9/16"-18	11.20	14.12	6.71	6.71	34.00	19 mm	Metric
DAOF5125M-0608	11/16"-16	3/4"-16	11.20	16.69	6.71	9.93	37.80	22 mm	Metric
DAOF5125M-0604IN	11/16"-16	7/16"-20	11.20	13.97	6.71	4.37	33.50	3/4"	Imperial
DAOF5125M-0606IN	11/16"-16	9/16"-18	11.20	14.12	6.71	6.71	34.00	3/4"	Imperial
DAOF5125M-0608IN	11/16"-16	3/4"-16	11.20	16.69	6.71	9.93	37.80	13/16"	Imperial
DAOF5125M-0808	13/16"-16	3/4"-16	12.80	16.69	9.60	9.60	39.40	22 mm	Metric
DAOF5125M-0808IN	13/16"-16	3/4"-16	12.80	16.69	9.60	9.60	39.40	7/8"	Imperial
DAOF5125M-1010	1"-14	7/8"-14	15.49	19.25	12.29	12.29	46.50	27 mm	Metric
DAOF5125M-1012	1"-14	1-1/16"-12	15.49	21.95	12.29	15.47	48.50	27 mm	Metric
DAOF5125M-1010IN	1"-14	7/8"-14	15.49	19.25	12.29	12.29	46.50	1-1/16"	Imperial
DAOF5125M-1012IN	1"-14	1-1/16"-12	15.49	21.95	12.29	15.47	48.50	1-1/16"	Imperial
DAOF5125M-1208	1-3/16"-12	3/4"-16	17.00	16.69	15.47	9.93	46.50	32 mm	Metric
DAOF5125M-1212	1-3/16"-12	1-1/16"-12	17.00	21.95	15.47	15.47	52.10	32 mm	Metric
DAOF5125M-1216	1-3/16"-12	1-5/16"-12	17.02	23.14	15.47	21.44	53.00	36 mm	Metric
DAOF5125M-1208IN	1-3/16"-12	3/4"-16	17.00	16.69	15.47	9.93	46.50	1-1/4"	Imperial
DAOF5125M-1212IN	1-3/16"-12	1-1/16"-12	17.00	21.95	15.47	15.47	52.10	1-1/4"	Imperial
DAOF5125M-1216IN	1-3/16"-12	1-5/16"-12	17.02	23.14	15.47	21.44	53.00	1-3/8"	Imperial
DAOF5125M-1616	1-7/16"-12	1-5/16"-12	17.50	23.14	20.60	21.44	54.90	41 mm	Metric
DAOF5125M-1616IN	1-7/16"-12	1-5/16"-12	17.50	23.14	20.60	21.44	54.90	1-1/2"	Imperial
DAOF5125M-2016	1-11/16"-12	1-5/16"-12	17.50	23.14	26.00	21.44	57.00	46 mm	Metric
DAOF5125M-2020	1-11/16"-12	1-5/8"-12	17.50	24.33	26.00	26.00	58.16	46 mm	Metric
DAOF5125M-2016IN	1-11/16"-12	1-5/16"-12	17.50	23.14	26.00	21.44	57.00	1-3/4"	Imperial
DAOF5125M-2020IN	1-11/16"-12	1-5/8"-12	17.50	24.33	26.00	26.00	58.16	1-3/4"	Imperial
DAOF5125M-2424	2"-12	1-7/8"-12	17.50	27.51	32.00	32.00	63.00	55 mm	Metric
DAOF5125M-2424IN	2"-12	1-7/8"-12	17.50	27.51	32.00	32.00	63.00	2-1/8"	Imperial



## DAOF5105JM

Straight Connector ORFS Male - JIS BSPP Male 60° Cone

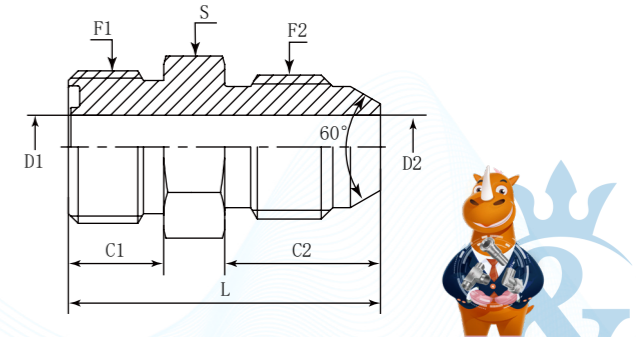
<b>D</b>	<b>A</b>	<b>OF</b>	<b>5</b>	<b>1</b>	<b>05</b>	<b>J</b>	<b>M</b>
Company	Product Range	Thread Types	Connection Type	Adaptor Structure	Thread Types	Connection Type	Connection Type
<b>DME</b>	Adaptor	ORFS UNF	Male + O Ring	Straight	BSPP	JIS	Male

**German Technology Equipment**

**SHIELD FLEX**

New-Standard

- DME&JDE Code:** DAOF5105JM
- Product Type:** Hydraulic adaptor
- Standard:** ORFS
- Structure:** Straight
- Connection Type:** Male x Male
- Thread Types:** UNF x JIS BSPP 60° Cone
- Sealing Method:** O ring



PART NUMBER	F1 (Thread)	F2 (Thread)	C1	C2	D1	D2	L	S
#	UNF	BSPP	mm	mm	mm	mm	mm	mm
DAOF5105JM-0404	9/16"-19	1/4"-19	9.80	16.00	4.00	4.00	35.00	17.00
DAOF5105JM-0606	11/16"-16	3/8"-19	11.20	18.00	6.71	8.50	39.00	19.00
DAOF5105JM-0808	13/16"-16	1/2"-14	12.80	20.00	9.30	9.30	43.00	22.00
DAOF5105JM-1010	1"-14	5/8"-14	15.49	20.00	12.00	12.00	44.50	27.00
DAOF5105JM-1212	1-3/16"-12	3/4"-14	17.02	22.00	15.50	15.50	49.00	32.00



## DAOF5105F

Straight Connector ORFS Male - BSPP Fixed Female

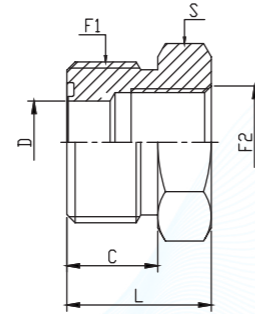
<b>D</b>	<b>A</b>	<b>OF</b>	<b>5</b>	<b>1</b>	<b>05</b>	<b>F</b>
Company	Product Range	Thread Types	Connection Type	Adaptor Structure	Thread Types	Connection Type
<b>DME</b>	Adaptor	BSPP	Male + O Ring	Straight	BSPP	Male

German Technology Equipment

**SHIELD FLEX**

New-Standard

- DME&JDE Code: **DAOF5105F**
- Product Type: **Hydraulic adaptor**
- Standard: **ORFS**
- Structure: **Straight**
- Connection Type: **Male x Fixed Female**
- Thread Types: **UNF x BSPP**



PART NUMBER	F1 (Thread)	F2 (Thread)	C	L	D	S
#	UNF	BSPP	mm	mm	mm	mm
DAOF5105F-0402	9/16"-20	1/8"-28	9.80	26.50	4.37	17.00
DAOF5105F-0404	9/16"-20	1/4"-19	9.80	28.50	4.37	19.00
DAOF5105F-0604	11/16"-16	1/4"-19	11.20	29.50	6.71	19.00
DAOF5105F-0606	11/16"-16	3/8"-19	11.20	33.00	6.71	24.00
DAOF5105F-0806	13/16"-16	3/8"-19	12.80	33.00	9.60	22.00
DAOF5105F-0808	13/16"-16	1/2"-14	12.80	38.50	9.60	30.00
DAOF5105F-1006	1"-14	3/8"-19	15.50	24.00	12.30	27.00
DAOF5105F-1008	1"-14	1/2"-14	15.49	40.00	12.29	27.00
DAOF5105F-1208	1-3/16"-12	1/2"-14	17.02	27.00	15.47	32.00
DAOF5105F-1212	1-3/16"-12	3/4"-14	17.02	46.00	15.47	36.00
DAOF5105F-1616	1-7/16"-12	1"-11	17.50	49.00	20.60	41.00
DAOF5105F-2020	1-11/16"-12	1-1/4"-11	17.50	53.00	26.00	50.00
DAOF5105F-2424	2"-12	1-1/2"-11	17.50	57.00	32.00	55.00

## DAOF51305

Straight Connector ORFS Male - SAE Male + O Ring

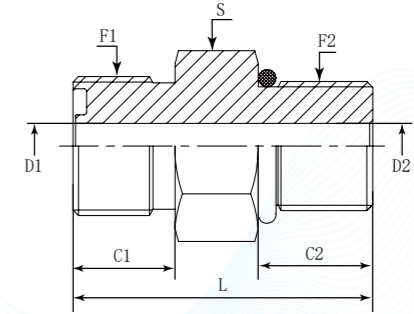
<b>D</b>	<b>A</b>	<b>OF</b>	<b>5</b>	<b>1</b>	<b>30</b>	<b>5</b>
Company	Product Range	Thread Types	Connection Type	Adaptor Structure	Thread Types	Connection Type
<b>DME</b>	Adaptor	BSPP	Male + O Ring	Straight	BSPP	Male

German Technology Equipment

**SHIELD FLEX**

New-Standard

- DME&JDE Code: **DAOF51305**
- Product Type: **Hydraulic adaptor**
- Standard: **ORFS**
- Structure: **Straight**
- Connection Type: **Male x Fixed Female**
- Thread Types: **UNF x BSPP**



PART NUMBER	F1 (Thread)	F2 (Thread)	C1	C2	D1	D2	L	S	Hex
#	UNF	UNF	mm	mm	mm	mm	mm	-	-
DAOF51305-0402	9/16"-18	5/16"-24	9.80	9.60	4.37	1.60	29.00	17 mm	Metric
DAOF51305-0403	9/16"-18	3/8"-24	9.80	9.60	3.18	3.18	27.40	17 mm	Metric
DAOF51305-0404	9/16"-18	7/16"-20	9.80	11.00	4.37	4.37	28.80	17 mm	Metric
DAOF51305-0405	9/16"-18	1/2"-20	9.80	11.00	4.37	5.49	29.00	17 mm	Metric
DAOF51305-0406	9/16"-18	9/16"-18	9.80	11.99	4.37	6.71	30.50	19 mm	Metric
DAOF51305-0408	9/16"-18	3/4"-16	10.00	14.00	4.50	10.00	33.50	22 mm	Metric
DAOF51305-0410	9/16"-18	7/8"-14	9.80	16.00	4.37	12.29	37.40	27 mm	Metric
DAOF51305-0402IN	9/16"-18	5/16"-24	9.80	9.60	4.37	1.60	29.00	5/8"	Imperial
DAOF51305-0403IN	9/16"-18	3/8"-24	9.80	9.60	3.18	3.18	27.40	5/8"	Imperial
DAOF51305-0404IN	9/16"-18	7/16"-20	9.80	11.00	4.37	4.37	28.80	5/8"	Imperial
DAOF51305-0405IN	9/16"-18	1/2"-20	9.80	11.00	4.37	5.49	29.00	5/8"	Imperial
DAOF51305-0406IN	9/16"-18	9/16"-18	9.80	11.99	4.37	6.71	30.50	3/4"	Imperial
DAOF51305-0408IN	9/16"-18	3/4"-16	10.00	14.00	4.50	10.00	33.50	7/8"	Imperial
DAOF51305-0410IN	9/16"-18	7/8"-14	9.80	16.00	4.37	12.29	37.40	1"	Imperial
DAOF51305-0603	11/16"-16	3/8"-24	11.20	9.50	6.71	3.00	32.61	19 mm	Metric
DAOF51305-0604	11/16"-16	7/16"-20	11.20	11.00	6.71	4.37	34.11	19 mm	Metric
DAOF51305-0605	11/16"-16	1/2"-20	11.20	11.00	6.00	6.00	30.80	19 mm	Metric
DAOF51305-0606	11/16"-16	9/16"-18	11.00	12.00	6.50	6.50	32.00	19 mm	Metric
DAOF51305-0608	11/16"-16	3/4"-16	11.20	14.00	6.71	9.60	35.11	22 mm	Metric
DAOF51305-0610	11/16"-16	7/8"-14	11.00	16.00	6.50	12.30	38.80	27 mm	Metric
DAOF51305-0612	11/16"-16	1-1/16"-12	11.20	18.49	6.71	15.47	42.80	32 mm	Metric
DAOF51305-0616	11/16"-16	1-5/16"-12	11.20	18.49	6.71	20.60	44.00	41 mm	Metric
DAOF51305-0603IN	11/16"-16	3/8"-24	11.20	9.50	6.71	3.00	32.61	3/4"	Imperial
DAOF51305-0604IN	11/16"-16	7/16"-20	11.20	11.00	6.71	4.37	34.11	3/4"	Imperial
DAOF51305-0605IN	11/16"-16	1/2"-20	11.20	11.00	6.00	6.00	30.80	3/4"	Imperial
DAOF51305-0606IN	11/16"-16	9/16"-18	11.00	12.00	6.50	6.50	32.00	3/4"	Imperial
DAOF51305-0608IN	11/16"-16	3/4"-16	11.20	14.00	6.71	9.60	35.11	7/8"	Imperial
DAOF51305-0610IN	11/16"-16	7/8"-14	11.00	16.00	6.50	12.30	38.80	1-1/16"	Imperial
DAOF51305-0612IN	11/16"-16	1-1/16"-12	11.20	18.49	6.71	15.47	42.80	1-1/4"	Imperial
DAOF51305-0616IN	11/16"-16	1-5/16"-12	11.20	18.49	6.71	20.60	44.00	1-1/2"	Imperial
DAOF51305-0804	13/16"-16	7/16"-20	12.80	11.00	9.50	4.50	36.40	22 mm	Metric
DAOF51305-0806	13/16"-16	9/16"-18	12.80	11.99	9.60	6.71	37.40	22 mm	Metric
DAOF51305-0808	13/16"-16	3/4"-16	12.80	14.00	9.60	9.60	36.60	22 mm	Metric
DAOF51305-0810	13/16"-16	7/8"-14	12.80	16.00	9.60	12.29	40.50	27 mm	Metric
DAOF51305-0812	13/16"-16	1-1/16"-12	13.00	18.49	9.50	15.47	44.50	32 mm	Metric

Certificate:



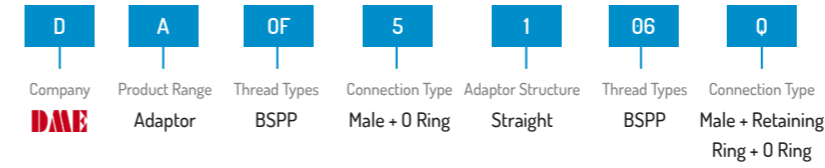


DAOF51305-0816	13/16"-16	1-5/16"-12	12.80	18.49	9.60	20.60	45.40	41 mm	Metric
DAOF51305-0804IN	13/16"-16	7/16"-20	12.80	11.00	9.50	4.50	36.40	7/8"	Imperial
DAOF51305-0806IN	13/16"-16	9/16"-18	12.80	11.99	9.60	6.71	37.40	7/8"	Imperial
DAOF51305-0808IN	13/16"-16	3/4"-16	12.80	14.00	9.60	9.60	36.60	7/8"	Imperial
DAOF51305-0810IN	13/16"-16	7/8"-14	12.80	16.00	9.60	12.29	40.50	1"	Imperial
DAOF51305-0812IN	13/16"-16	1-1/16"-12	13.00	18.49	9.50	15.47	44.50	1-1/4"	Imperial
DAOF51305-0816IN	13/16"-16	1-5/16"-12	12.80	18.49	9.60	20.60	45.40	1-1/2"	Imperial
DAOF51305-1006	1"-14	9/16"-18	15.49	11.99	12.29	6.71	41.70	27 mm	Metric
DAOF51305-1008	1"-14	3/4"-16	15.49	14.00	9.60	9.60	45.20	27 mm	Metric
DAOF51305-1010	1"-14	7/8"-14	15.50	16.00	12.29	12.29	43.00	27 mm	Metric
DAOF51305-1012	1"-14	1-1/16"-12	15.49	18.49	12.29	12.29	47.20	32 mm	Metric
DAOF51305-1014	1"-14	1-3/16"-12	15.49	18.49	12.29	18.26	47.19	36 mm	Metric
DAOF51305-1016	1"-14	1-5/16"-12	15.49	18.49	12.29	20.60	48.30	41 mm	Metric
DAOF51305-1006IN	1"-14	9/16"-18	15.49	11.99	12.29	6.71	41.70	1-1/16"	Imperial
DAOF51305-1008IN	1"-14	3/4"-16	15.49	14.00	9.60	9.60	45.20	1-1/16"	Imperial
DAOF51305-1010IN	1"-14	7/8"-14	15.50	16.00	12.29	12.29	43.00	1-1/16"	Imperial
DAOF51305-1012IN	1"-14	1-1/16"-12	15.49	18.49	12.29	12.29	47.20	1-1/4"	Imperial
DAOF51305-1014IN	1"-14	1-3/16"-12	15.49	18.49	12.29	18.26	47.19	1-3/8"	Imperial
DAOF51305-1016IN	1"-14	1-5/16"-12	15.49	18.49	12.29	20.60	48.30	1-1/2"	Imperial
DAOF51305-1206	1-3/16"-12	9/16"-18	17.02	11.99	15.47	6.71	45.00	32 mm	Metric
DAOF51305-1208	1-3/16"-12	3/4"-16	17.02	14.00	15.47	9.60	48.50	32 mm	Metric
DAOF51305-1210	1-3/16"-12	7/8"-14	17.02	16.00	15.50	12.50	50.60	32 mm	Metric
DAOF51305-1212	1-3/16"-12	1-1/16"-12	17.02	18.49	15.47	15.47	48.60	32 mm	Metric
DAOF51305-1214	1-3/16"-12	1-3/16"-12	17.02	18.49	15.47	18.26	48.70	36 mm	Metric
DAOF51305-1216	1-3/16"-12	1-5/16"-12	17.02	18.49	15.47	21.50	49.50	41 mm	Metric
DAOF51305-1220	1-3/16"-12	1-5/8"-12	17.02	18.49	15.47	26.00	51.80	50 mm	Metric
DAOF51305-1224	1-3/16"-12	1-7/8"-12	17.02	18.50	15.47	32.00	53.50	55 mm	Metric
DAOF51305-1206IN	1-3/16"-12	9/16"-18	17.02	11.99	15.47	6.71	45.00	1-1/4"	Imperial
DAOF51305-1208IN	1-3/16"-12	3/4"-16	17.02	14.00	15.47	9.60	48.50	1-1/4"	Imperial
DAOF51305-1210IN	1-3/16"-12	7/8"-14	17.02	16.00	15.50	12.50	50.60	1-1/4"	Imperial
DAOF51305-1212IN	1-3/16"-12	1-1/16"-12	17.02	18.49	15.47	15.47	48.60	1-1/4"	Imperial
DAOF51305-1214IN	1-3/16"-12	1-3/16"-12	17.02	18.49	15.47	18.26	48.70	1-3/8"	Imperial
DAOF51305-1216IN	1-3/16"-12	1-5/16"-12	17.02	18.49	15.47	21.50	49.50	1-1/2"	Imperial
DAOF51305-1220IN	1-3/16"-12	1-5/8"-12	17.02	18.49	15.47	26.00	51.80	1-7/8"	Imperial
DAOF51305-1608	1-7/16"-12	3/4"-16	17.50	14.00	20.60	9.60	49.81	41 mm	Metric
DAOF51305-1610	1-7/16"-12	7/8"-14	17.50	16.00	20.60	12.29	51.80	41 mm	Metric
DAOF51305-1612	1-7/16"-12	1-1/16"-12	17.50	18.49	20.60	15.47	54.40	41 mm	Metric
DAOF51305-1616	1-7/16"-12	1-5/16"-12	17.50	18.49	20.60	20.60	50.30	41 mm	Metric
DAOF51305-1620	1-7/16"-12	1-5/8"-12	17.50	18.49	20.50	27.50	52.50	50 mm	Metric
DAOF51305-1624	1-7/16"-12	1-7/8"-12	17.50	18.50	20.60	32.00	54.00	55 mm	Metric
DAOF51305-1608IN	1-7/16"-12	3/4"-16	17.50	14.00	20.60	9.60	49.81	1-1/2"	Imperial
DAOF51305-1610IN	1-7/16"-12	7/8"-14	17.50	16.00	20.60	12.29	51.80	1-1/2"	Imperial
DAOF51305-1612IN	1-7/16"-12	1-1/16"-12	17.50	18.49	20.60	15.47	54.40	1-1/2"	Imperial
DAOF51305-1616IN	1-7/16"-12	1-5/16"-12	17.50	18.49	20.60	20.60	50.30	1-1/2"	Imperial
DAOF51305-1620IN	1-7/16"-12	1-5/8"-12	17.50	18.49	20.50	27.50	52.50	1-7/8"	Imperial
DAOF51305-1624IN	1-7/16"-12	1-7/8"-12	17.50	18.50	20.60	32.00	54.00	2-1/8"	Imperial
DAOF51305-2012	1-11/16"-12	1-1/16"-12	17.50	18.49	26.00	15.47	56.40	46 mm	Metric
DAOF51305-2016	1-11/16"-12	1-5/16"-12	17.50	18.49	26.00	20.60	57.90	46 mm	Metric
DAOF51305-2020	1-11/16"-12	1-5/8"-12	17.50	18.49	26.00	26.00	52.50	50 mm	Metric
DAOF51305-2024	1-11/16"-12	1-7/8"-12	17.50	18.49	26.00	32.00	54.00	55 mm	Metric
DAOF51305-2012IN	1-11/16"-12	1-1/16"-12	17.50	18.49	26.00	15.47	56.40	1-3/4"	Imperial
DAOF51305-2016IN	1-11/16"-12	1-5/16"-12	17.50	18.49	26.00	20.60	57.90	1-3/4"	Imperial
DAOF51305-2020IN	1-11/16"-12	1-5/8"-12	17.50	18.49	26.00	26.00	52.50	1-7/8"	Imperial
DAOF51305-2024IN	1-11/16"-12	1-7/8"-12	17.50	18.49	26.00	32.00	54.00	2-1/8"	Imperial
DAOF51305-2416	2"-12	1-5/16"-12	17.50	18.49	32.00	20.60	59.60	55 mm	Metric
DAOF51305-2420	2"-12	1-5/8"-12	17.50	18.49	32.00	26.00	59.60	55 mm	Metric
DAOF51305-2424	2"-12	1-7/8"-12	17.50	18.49	32.00	32.00	54.10	55 mm	Metric
DAOF51305-2416IN	2"-12	1-5/16"-12	17.50	18.49	32.00	20.60	59.60	2-1/8"	Imperial
DAOF51305-2420IN	2"-12	1-5/8"-12	17.50	18.49	32.00	26.00	59.60	2-1/8"	Imperial
DAOF51305-2424IN	2"-12	1-7/8"-12	17.50	18.49	32.00	32.00	54.10	2-1/8"	Imperial
DAOF51305-3232	2-1/2"-12	2-1/2"-12	22.25	18.50	45.00	40.00	58.90	70 mm	Metric
DAOF51305-3232IN	2-1/2"-12	2-1/2"-12	22.25	18.50	45.00	40.00	58.90	2-3/4"	Imperial

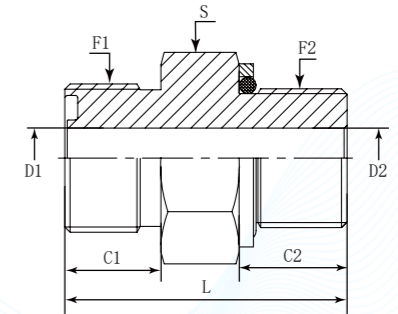


## DAOF5106Q

Straight ORFS Male - BSPP Male + Retaining Ring + O Ring



- DME&JDE Code:** DAOF5106Q
- Product Type:** Hydraulic adaptor
- Standard:** ORFS
- Structure:** Straight
- Connection Type:** Male x Male
- Thread Types:** UNF x BSPP
- Sealing Method:** O Ring + Retaining Ring



PART NUMBER	F1 (Thread)	F2 (Thread)	C1	C2	D1	D2	L	S
#	UNF	BSPP	mm	mm	mm	mm	mm	mm
DAOF5106Q-0402	9/16"-18	1/8"-28	9.80	8.00	4.37	4.37	25.00	15.88
DAOF5106Q-0404	9/16"-18	1/4"-19	9.80	11.20	4.37	7.50	30.00	19.00
DAOF5106Q-0406	9/16"-18	3/8"-19	9.80	11.20	4.37	9.90	31.00	22.00
DAOF5106Q-0408	9/16"-18	1/2"-14	9.80	14.50	4.50	12.30	34.50	30.00
DAOF5106Q-0604	11/16"-16	1/4"-19	11.20	11.20	6.71	6.71	31.50	19.00
DAOF5106Q-0606	11/16"-16	3/8"-19	11.20	11.20	6.71	9.90	32.50	22.00
DAOF5106Q-0608	11/16"-16	1/2"-14	11.20	14.50	6.71	12.30	36.00	30.00
DAOF5106Q-0804	13/16"-16	1/4"-19	12.80	11.20	7.50	7.50	33.50	22.00
DAOF5106Q-0806	13/16"-16	3/8"-19	12.80	11.20	9.60	9.60	33.50	22.00
DAOF5106Q-0808	13/16"-16	1/2"-14	12.80	14.50	9.50	12.30	37.00	30.00
DAOF5106Q-0810	13/16"-16	5/8"-14	12.80	14.50	9.50	12.50	41.00	32.00
DAOF5106Q-0812	13/16"-16	3/4"-14	12.80	14.50	9.60	15.50	38.00	36.00
DAOF5106Q-0816	13/16"-16	1"-11	12.80	18.60	9.60	21.50	43.50	41.00
DAOF5106Q-1006	1"-14	3/8"-19	15.49	11.20	12.29	9.90	37.00	27.00
DAOF5106Q-1008	1"-14	1/2"-14	15.50	14.50	12.29	12.29	39.50	30.00
DAOF5106Q-1010	1"-14	5/8"-14	15.49	14.50	12.30	12.30	41.50	32.00
DAOF5106Q-1012	1"-14	3/4"-14	15.49	14.50	12.50	15.00	43.50	36.00
DAOF5106Q-1208	1-3/16"-12	1/2"-14	17.02	14.50	12.29	12.29	44.00	32.00
DAOF5106Q-1212	1-3/16"-12	3/4"-14	17.02	14.50	15.47	15.47	45.00	36.00
DAOF5106Q-1216	1-3/16"-12	1"-11	17.02	18.60	15.47	21.50	47.50	41.00
DAOF5106Q-1608	1-7/16"-12	1/2"-14	17.50	14.50	20.60	12.30	43.00	38.00
DAOF5106Q-1612	1-7/16"-12	3/4"-14	17.50	14.50	20.60	15.50	43.00	36.00
DAOF5106Q-1616	1-7/16"-12	1"-11	17.50	18.60	20.60	20.60	48.00	46.00
DAOF5106Q-1620	1-7/16"-12	1-1/4"-11	17.50	18.60	20.60	26.00	51.50	50.00
DAOF5106Q-2016	1-11/16"-12	1"-11	17.50	18.60	26.00	21.50	51.50	50.00
DAOF5106Q-2020	1-11/16"-12	1-1/4"-11	17.50	18.60	26.00	26.00	51.50	50.00
DAOF5106Q-2424	2"-12	1-1/2"-11	17.50	18.60	32.00	32.00	50.00	55.00



## DAOF51065

Straight Connector ORFS Male - BSPP Male + O Ring

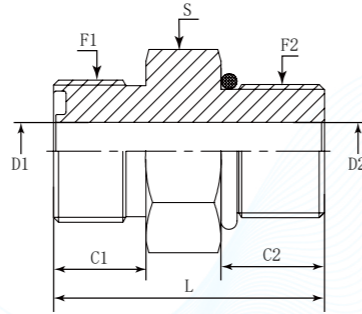
<b>D</b>	<b>A</b>	<b>OF</b>	<b>5</b>	<b>1</b>	<b>06</b>	<b>5</b>
Company	Product Range	Thread Types	Connection Type	Adaptor Structure	Thread Types	Connection Type
<b>DME</b>	Adaptor	ORFS UNF	Male + O Ring	Straight	BSPP	Male + O Ring

German Technology Equipment

**SHIELD FLEX**

New-Standard

- DME&JDE Code: DAOF51065
- Product Type: Hydraulic adaptor
- Standard: ORFS
- Structure: Straight
- Connection Type: Male x Male
- Thread Types: UNF x BSPP 60°
- Sealing Method:: O Ring



PART NUMBER	F1 (Thread)	F2 (Thread)	C1	C2	D1	D2	L	S
#	UNF	BSPP	mm	mm	mm	mm	mm	mm
DAOF51065-0402	9/16"-18	1/8"-28	9.80	8.00	4.37	4.37	25.00	15.88
DAOF51065-0404	9/16"-18	1/4"-19	9.80	11.20	4.37	7.50	30.00	19.00
DAOF51065-0406	9/16"-18	3/8"-19	9.80	11.20	4.37	9.90	31.00	22.00
DAOF51065-0408	9/16"-18	1/2"-14	9.80	14.50	4.50	12.30	34.50	30.00
DAOF51065-0604	11/16"-16	1/4"-19	11.20	11.20	6.71	6.71	31.50	19.00
DAOF51065-0606	11/16"-16	3/8"-19	11.20	11.20	6.71	9.90	32.50	22.00
DAOF51065-0608	11/16"-16	1/2"-14	11.20	14.50	6.71	12.30	36.00	30.00
DAOF51065-0804	13/16"-16	1/4"-19	12.80	11.20	7.50	7.50	33.50	22.00
DAOF51065-0806	13/16"-16	3/8"-19	12.80	11.20	9.60	9.60	33.50	22.00
DAOF51065-0808	13/16"-16	1/2"-14	12.80	14.50	9.50	12.30	37.00	30.00
DAOF51065-0810	13/16"-16	5/8"-14	12.80	14.50	9.50	12.50	41.00	32.00
DAOF51065-0812	13/16"-16	3/4"-14	12.80	14.50	9.60	15.50	38.00	36.00
DAOF51065-0816	13/16"-16	1"-11	12.80	18.60	9.60	21.50	43.50	41.00
DAOF51065-1006	1"-14	3/8"-19	15.49	11.20	12.29	9.90	37.00	27.00
DAOF51065-1008	1"-14	1/2"-14	15.50	14.50	12.29	12.29	39.50	30.00
DAOF51065-1010	1"-14	5/8"-14	15.49	14.50	12.30	12.30	41.50	32.00
DAOF51065-1012	1"-14	3/4"-14	15.49	14.50	12.50	15.00	43.50	36.00
DAOF51065-1208	1-3/16"-12	1/2"-14	17.02	14.50	12.29	12.29	44.00	32.00
DAOF51065-1212	1-3/16"-12	3/4"-14	17.02	14.50	15.47	15.47	45.00	36.00
DAOF51065-1216	1-3/16"-12	1"-11	17.02	18.60	15.47	21.50	47.50	41.00
DAOF51065-1608	1-7/16"-12	1/2"-14	17.50	14.50	20.60	12.30	43.00	38.00
DAOF51065-1612	1-7/16"-12	3/4"-14	17.50	14.50	20.60	15.50	43.00	36.00
DAOF51065-1616	1-7/16"-12	1"-11	17.50	18.60	20.60	20.60	48.00	46.00
DAOF51065-1620	1-7/16"-12	1-1/4"-11	17.50	18.60	20.60	26.00	51.50	50.00
DAOF51065-2016	1-11/16"-12	1"-11	17.50	18.60	26.00	21.50	51.50	50.00
DAOF51065-2020	1-11/16"-12	1-1/4"-11	17.50	18.60	26.00	26.00	51.50	50.00
DAOF51065-2424	2"-12	1-1/2"-11	17.50	18.60	32.00	32.00	50.00	55.00



## DAOF5152Q

Straight ORFS Male - Metric Male + Retaining Ring + O Ring

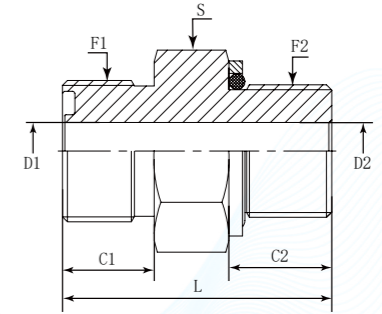
<b>D</b>	<b>A</b>	<b>OF</b>	<b>5</b>	<b>1</b>	<b>52</b>	<b>0</b>
Company	Product Range	Thread Types	Connection Type	Adaptor Structure	Thread Types	Connection Type
<b>DME</b>	Adaptor	ORFS UNF	Male + O Ring	Straight	Metric	Male + O Ring + Retaining Ring

German Technology Equipment

**SHIELD FLEX**

New-Standard

- DME&JDE Code: DAOF5152Q
- Product Type: Hydraulic adaptor
- Standard: ORFS
- Structure: Straight
- Connection Type: Male x Male
- Thread Types: UNF x Metric
- Thread Types: O Ring + Retaining Ring



PART NUMBER	F1 (Thread)	F2 (Thread)	C1	C2	D1	D2	L	S
#	UNF	Metric	mm	mm	mm	mm	mm	mm
DAOF5152Q-0408	9/16"-18	M8X1	9.80	9.50	4.37	2.00	28.00	17.00
DAOF5152Q-0412	9/16"-18	M12X1.5	9.80	9.50	4.37	4.37	28.50	17.00
DAOF5152Q-0414	9/16"-18	M14X1.5	9.80	9.50	4.37	4.37	29.00	19.05
DAOF5152Q-0416	9/16"-18	M16X1.5	9.80	11.50	4.37	9.00	32.50	22.00
DAOF5152Q-0418	9/16"-18	M18X1.5	9.80	14.00	4.37	9.00	34.50	24.00
DAOF5152Q-0612	11/16"-16	M12X1.5	11.20	11.00	4.00	4.00	32.00	19.00
DAOF5152Q-0614	11/16"-16	M14X1.5	11.20	9.50	6.71	6.71	31.00	19.05
DAOF5152Q-0616	11/16"-16	M16X1.5	11.20	11.00	6.71	6.71	32.00	19.05
DAOF5152Q-0618	11/16"-16	M18X1.5	11.20	14.00	6.71	9.00	36.00	24.00
DAOF5152Q-0620	11/16"-16	M20X1.5	11.20	14.00	6.71	10.00	38.00	27.00
DAOF5152Q-0814	13/16"-16	M14X1.5	12.80	9.50	9.60	6.00	33.00	22.00
DAOF5152Q-0816	13/16"-16	M16X1.5	12.80	11.00	7.00	7.00	35.00	22.22
DAOF5152Q-0818	13/16"-16	M18X1.5	12.80	14.00	9.00	9.00	38.00	24.00
DAOF5152Q-0820	13/16"-16	M20X1.5	12.80	14.00	9.60	9.60	39.50	27.00
DAOF5152Q-0822	13/16"-16	M22X1.5	12.80	15.00	9.60	12.00	39.50	27.00
DAOF5152Q-0833	13/16"-16	M33X2	12.80	18.50	9.60	20.00	44.00	41.00
DAOF5152Q-1018	1"-14	M18X1.5	15.49	12.50	12.29	9.00	40.00	27.00
DAOF5152Q-1022	1"-14	M22X1.5	15.49	13.00	12.29	12.29	38.00	27.00
DAOF5152Q-1027	1"-14	M27X2	15.49	18.50	12.29	15.00	44.00	32.00
DAOF5152Q-1218	1-3/16"-12	M18X1.5	17.02	14.00	15.47	9.00	44.00	32.00
DAOF5152Q-1222	1-3/16"-12	M22X1.5	17.02	15.00	15.47	12.00	45.50	32.00
DAOF5152Q-1226	1-3/16"-12	M26X1.5	17.02	16.00	15.47	15.47	47.00	31.75
DAOF5152Q-1227	1-3/16"-12	M27X2	17.02	16.00	15.47	15.47	44.00	31.75
DAOF5152Q-1233	1-3/16"-12	M33X2	17.02	18.50	15.47	20.00	48.00	41.00
DAOF5152Q-1242	1-3/16"-12	M42X2	17.02	19.00	15.47	26.00	49.50	50.00
DAOF5152Q-1622	1-7/16"-12	M22X1.5	17.50	15.00	20.60	12.00	48.50	41.00
DAOF51065-1627	1-7/16"-12	M27X2	17.50	18.50	20.60	15.00	52.00	41.00
DAOF5152Q-1633	1-7/16"-12	M33X2	17.50	16.00	20.60	20.60	45.50	41.00
DAOF5152Q-2042	1-11/16"-12	M42X2	17.50	16.00	26.00	26.00	47.00	50.00
DAOF5152Q-2048	1-11/16"-12	M48X2	17.50	17.50	26.00	36.00	48.50	55.00



# DAOF51525

Straight Connector ORFS Male - Metric Male + O Ring

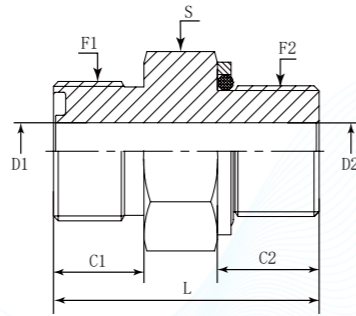
<b>D</b>	<b>A</b>	<b>OF</b>	<b>5</b>	<b>1</b>	<b>52</b>	<b>5</b>
Company	Product Range	Thread Types	Connection Type	Adaptor Structure	Thread Types	Connection Type
<b>DME</b>	Adaptor	ORFS UNF	Male + O Ring	Straight	Metric	Male + O Ring

German Technology Equipment

**SHIELD FLEX**

New-Standard

- DME&JDE Code: **DAOF51525**
- Product Type: **Hydraulic adaptor**
- Standard: **ORFS**
- Structure: **Straight**
- Connection Type: **Male x Male**
- Thread Types: **UNF x Metric + O Ring**
- Sealing Method: **O Ring**



PART NUMBER	F1 (Thread)	F2 (Thread)	C1	C2	D1	D2	L	S
#	UNF	Metric	mm	mm	mm	mm	mm	mm
DAOF51525-0408	9/16"-18	M8X1	9.80	9.50	4.37	2.00	28.00	17.00
DAOF51525-0412	9/16"-18	M12X1.5	9.80	9.50	4.37	4.37	28.50	17.00
DAOF51525-0414	9/16"-18	M14X1.5	9.80	9.50	4.37	4.37	29.00	19.05
DAOF51525-0416	9/16"-18	M16X1.5	9.80	11.50	4.37	9.00	32.50	22.00
DAOF51525-0418	9/16"-18	M18X1.5	9.80	14.00	4.37	9.00	34.50	24.00
DAOF51525-0612	11/16"-16	M12X1.5	11.20	11.00	4.00	4.00	32.00	19.00
DAOF51525-0614	11/16"-16	M14X1.5	11.20	9.50	6.71	6.71	31.00	19.05
DAOF51525-0616	11/16"-16	M16X1.5	11.20	11.00	6.71	6.71	32.00	19.05
DAOF51525-0618	11/16"-16	M18X1.5	11.20	14.00	6.71	9.00	36.00	24.00
DAOF51525-0620	11/16"-16	M20X1.5	11.20	14.00	6.71	10.00	38.00	27.00
DAOF51525-0814	13/16"-16	M14X1.5	12.80	9.50	9.60	6.00	33.00	22.00
DAOF51525-0816	13/16"-16	M16X1.5	12.80	11.00	7.00	7.00	35.00	22.22
DAOF51525-0818	13/16"-16	M18X1.5	12.80	14.00	9.00	9.00	38.00	24.00
DAOF51525-0820	13/16"-16	M20X1.5	12.80	14.00	9.60	9.60	39.50	27.00
DAOF51525-0822	13/16"-16	M22X1.5	12.80	15.00	9.60	12.00	39.50	27.00
DAOF51525-0833	13/16"-16	M33X2	12.80	18.50	9.60	20.00	44.00	41.00
DAOF51525-1018	1"-14	M18X1.5	15.49	12.50	12.29	9.00	40.00	27.00
DAOF51525-1022	1"-14	M22X1.5	15.49	13.00	12.29	12.29	38.00	27.00
DAOF51525-1027	1"-14	M27X2	15.49	18.50	12.29	15.00	44.00	32.00
DAOF51525-1218	1-3/16"-12	M18X1.5	17.02	14.00	15.47	9.00	44.00	32.00
DAOF51525-1222	1-3/16"-12	M22X1.5	17.02	15.00	15.47	12.00	45.50	32.00
DAOF51525-1226	1-3/16"-12	M26X1.5	17.02	16.00	15.47	15.47	47.00	31.75
DAOF51525-1227	1-3/16"-12	M27X2	17.02	16.00	15.47	15.47	44.00	31.75
DAOF51525-1233	1-3/16"-12	M33X2	17.02	18.50	15.47	20.00	48.00	41.00
DAOF51525-1242	1-3/16"-12	M42X2	17.02	19.00	15.47	26.00	49.50	50.00
DAOF51525-1622	1-7/16"-12	M22X1.5	17.50	15.00	20.60	12.00	48.50	41.00
DAOF51525-1627	1-7/16"-12	M27X2	17.50	18.50	20.60	15.00	52.00	41.00
DAOF51525-1633	1-7/16"-12	M33X2	17.50	16.00	20.60	20.60	45.50	41.00
DAOF51525-2042	1-11/16"-12	M42X2	17.50	16.00	26.00	26.00	47.00	50.00
DAOF51525-2048	1-11/16"-12	M48X2	17.50	17.50	26.00	36.00	48.50	55.00



# DAOF51061

Straight Connector ORFS Male - BSPP Male with ED Ring

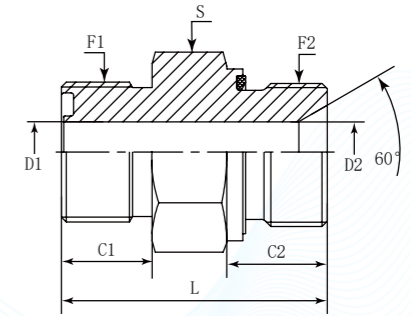
<b>D</b>	<b>A</b>	<b>OF</b>	<b>5</b>	<b>1</b>	<b>061</b>
Company	Product Range	Thread Types	Connection Type	Adaptor Structure	Connection Type
<b>DME</b>	Adaptor	ORFS UNF	Male + O Ring	Straight	BSPP Male with ED Ring

German Technology Equipment

**SHIELD FLEX**

New-Standard

- DME&JDE Code: **DAOF51061**
- Product Type: **Hydraulic adaptor**
- Standard: **ORFS**
- Structure: **Straight**
- Connection Type: **Male x Male**
- Thread Types: **UNF x BSPP with ED Ring**
- Sealing Method: **ED Ring**



PART NUMBER	F1 (Thread)	F2 (Thread)	C1	C2	D1	D2	L	S
#	UNF	BSPP	mm	mm	mm	mm	mm	mm
DAOF51061-0402	9/16"-18	1/8"-28	9.80	8.00	4.37	4.37	26.00	17.00
DAOF51061-0404	9/16"-18	1/4"-19	9.80	12.00	4.37	7.00	31.00	19.00
DAOF51061-0406	9/16"-18	3/8"-19	9.80	12.00	4.37	9.00	31.80	22.00
DAOF51061-0408	9/16"-18	1/2"-14	9.80	14.00	4.37	10.00	38.00	27.00
DAOF51061-0602	11/16"-16	1/8"-28	11.20	8.00	6.71	4.37	28.00	19.00
DAOF51061-0604	11/16"-16	1/4"-19	11.20	12.00	6.71	6.71	32.50	19.00
DAOF51061-0606	11/16"-16	3/8"-19	11.20	12.00	6.71	9.90	33.50	22.00
DAOF51061-0608	11/16"-16	1/2"-14	11.20	14.00	6.71	12.30	38.50	27.00
DAOF51061-0804	13/16"-16	1/4"-19	12.80	12.00	9.60	5.00	34.50	22.00
DAOF51061-0806	13/16"-16	3/8"-19	12.80	12.00	9.60	9.60	35.30	22.00
DAOF51061-0808	13/16"-16	1/2"-14	12.80	14.00	9.60	9.60	39.00	27.00
DAOF51061-0810	13/16"-16	5/8"-14	12.80	14.00	9.60	9.60	38.80	30.00
DAOF51061-0812	13/16"-16	3/4"-14	12.80	16.00	9.60	15.50	41.80	32.00
DAOF51061-1006	1"-14	3/8"-19	15.49	12.00	12.29	9.90	38.50	27.00
DAOF51061-1008	1"-14	1/2"-14	15.49	14.00	12.29	12.29	41.00	27.00
DAOF51061-1010	1"-14	5/8"-14	15.49	14.00	12.29	12.29	41.50	30.00
DAOF51061-1012	1"-14	3/4"-14	15.49	16.00	12.29	12.29	45.00	32.00
DAOF51061-1208	1-3/16"-12	1/2"-14	17.02	14.00	15.47	12.30	44.50	32.00
DAOF51061-1212	1-3/16"-12	3/4"-14	17.02	16.00	15.47	15.47	46.50	32.00
DAOF51061-1216	1-3/16"-12	1"-11	17.02	18.00	15.47	21.50	49.00	41.00
DAOF51061-1612	1-7/16"-12	3/4"-14	17.50	16.00	20.60	16.00	47.50	41.00
DAOF51061-1616	1-7/16"-12	1"-11	17.50	18.00	20.60	20.60	50.00	41.00
DAOF51061-1620	1-7/16"-12	1-1/4"-11	17.50	20.00	20.60	27.50	53.50	50.00
DAOF51061-2016	1-11/16"-12	1"-11	17.50	18.00	26.00	20.00	52.00	46.00
DAOF51061-2020	1-11/16"-12	1-1/4"-11	17.50	20.00	26.00	27.50	55.50	50.00
DAOF51061-2424	2"-12	1-1/2"-11	17.50	22.00	32.00	32.00	57.60	55.00





## DAOF51521

Straight Connector ORFS Male - Metric Male with ED Ring

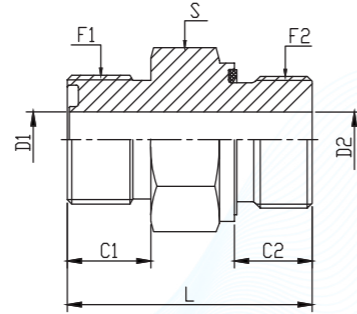
<b>D</b>	<b>A</b>	<b>OF</b>	<b>5</b>	<b>1</b>	<b>521</b>
Company	Product Range	Thread Types	Connection Type	Adaptor Structure	Connection Type
<b>DME</b>	Adaptor	ORFS UNF	Male	Straight	Metric Male with ED Ring

German Technology Equipment

**SHIELD FLEX**

New-Standard

- DME&JDE Code: **DAOF51521**
- Product Type: **Hydraulic adaptor**
- Standard: **ORFS**
- Structure: **Straight**
- Connection Type: **Male x Male**
- Thread Types: **UNF x Metric**
- Sealing Method: **ED Ring**



PART NUMBER	F1 (Thread)	F2 (Thread)	C1	C2	D1	D2	L	S
#	UNF	Metric	mm	mm	mm	mm	mm	mm
DAOF51521-0412	9/16"-18	M12X1.5	9.8	12	4.37	4.37	30	17
DAOF51521-0614	11/16"-16	M14X1.5	11.20	12.00	6.00	6.00	31.00	19.00
DAOF51521-0618	11/16"-16	M18X1.5	11.20	12.00	6.71	9.00	32.50	24.00
DAOF51521-0818	13/16"-16	M18X1.5	12.80	12.00	9.00	9.00	35.00	24.00
DAOF51521-0822	13/16"-16	M22X1.5	12.80	14.00	9.60	12.00	39.00	27.00
DAOF51521-1022	1"-14	M22X1.5	15.49	14.00	12.29	12.29	42.00	27.00
DAOF51521-1027	1"-14	M27X2	15.49	16.00	12.29	12.29	45.00	32.00
DAOF51521-1227	1-3/16"-12	M27X2	17.02	16.00	15.47	15.47	46.50	32.00

## DAOF5128F

Straight Connector ORFS Male - NPTF Fixed Female

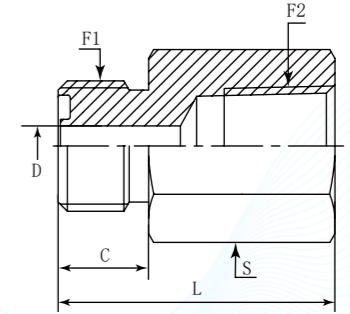
<b>D</b>	<b>A</b>	<b>OF</b>	<b>5</b>	<b>1</b>	<b>28</b>	<b>F</b>
Company	Product Range	Thread Types	Connection Type	Adaptor Structure	Thread Types	Connection Type
<b>DME</b>	Adaptor	ORFS UNF	Male + O Ring	Straight	NPTF	Female

German Technology Equipment

**SHIELD FLEX**

New-Standard

- DME&JDE Code: **DAOF5128F**
- Product Type: **Hydraulic adaptor**
- Standard: **ORFS**
- Structure: **Straight**
- Connection Type: **Male x Fixed Female**
- Thread Types: **UNF x NPTF**



PART NUMBER	F1 (Thread)	F2 (Thread)	C	D	L	S	Hex
#	UNF	NPTF	mm	mm	mm	-	-
DAOF5128F-0404	9/16"-18	1/4"-18	9.80	4.37	31.75	19 mm	Metric
DAOF5128F-0404IN	9/16"-18	1/4"-18	9.80	4.37	31.75	3/4"	Imperial
DAOF5128F-0606	11/16"-16	3/8"-18	11.20	6.71	33.00	22 mm	Metric
DAOF5128F-0606IN	11/16"-16	3/8"-18	11.20	6.71	33.00	7/8"	Imperial
DAOF5128F-0808	13/16"-16	1/2"-14	12.80	9.60	41.66	27 mm	Metric
DAOF5128F-0808IN	13/16"-16	1/2"-14	12.80	9.60	41.66	1-1/8"	Imperial
DAOF5128F-1008	1"-14	1/2"-14	15.50	12.50	43.50	27 mm	Metric
DAOF5128F-1008IN	1"-14	1/2"-14	15.50	12.50	43.50	1-1/8"	Imperial
DAOF5128F-1212	1-3/16"-12	3/4"-14	17.02	15.47	47.37	32 mm	Metric
DAOF5128F-1212IN	1-3/16"-12	3/4"-14	17.02	15.47	47.37	1-1/4"	Imperial
DAOF5128F-1616	1-7/16"-12	1"-11-1/2	17.50	20.60	51.00	41 mm	Metric
DAOF5128F-1616IN	1-7/16"-12	1"-11-1/2	17.50	20.60	51.00	1-1/2"	Imperial
DAOF5128F-2020	1-11/16"-12	1-1/4"-11-1/2	17.50	26.00	50.00	50 mm	Metric
DAOF5128F-2020IN	1-11/16"-12	1-1/4"-11-1/2	17.50	26.00	50.00	1-7/8"	Imperial

Certificate:



# DAOF51241

Straight Connector ORFS Male - ORFS Swivel Female

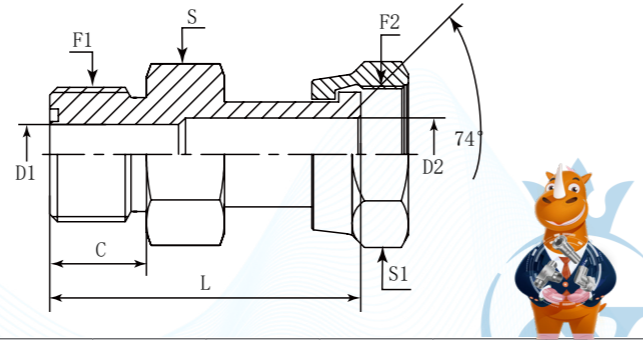
<b>D</b>	<b>A</b>	<b>OF</b>	<b>5</b>	<b>1</b>	<b>241</b>
Company	Product Range	Thread Types	Connection Type	Adaptor Structure	Connection Type
<b>DME</b>	Adaptor	ORFS UNF	Male + O Ring	Straight	ORFS Swivel Female

German Technology Equipment

**SHIELD FLEX**

New-Standard

- DME&JDE Code:** DAOF51241
- Product Type:** Hydraulic adaptor
- Standard:** ORFS
- Structure:** Straight
- Connection Type:** Male x Swivel Female
- Thread Types:** ORFS UNF x ORFS UNF 74°



PART NUMBER	F1 (Thread)	F2 (Thread)	C	D1	D2	L	S	S1	Hex
#	UNF	UNF	mm	mm	mm	mm	-	-	-
DAOF51241-0404	9/16"-18	9/16"-18	9.80	4.19	4.19	35.00	17 mm	17 mm	Metric
DAOF51241-0406	9/16"-18	11/16"-16	9.80	4.50	6.71	37.00	19 mm	22 mm	Metric
DAOF51241-0410	9/16"-18	1"-14	9.80	4.37	11.51	44.50	27 mm	30 mm	Metric
DAOF51241-0412	9/16"-18	1-3/16"-12	9.80	4.37	13.89	49.00	32 mm	36 mm	Metric
DAOF51241-0416	9/16"-18	1-7/16"-12	9.80	4.37	19.89	51.50	36 mm	41 mm	Metric
DAOF51241-0404IN	9/16"-18	9/16"-18	9.80	4.19	4.19	35.00	5/8"	11/16"	Imperial
DAOF51241-0406IN	9/16"-18	11/16"-16	9.80	4.50	6.71	37.00	3/4"	7/8"	Imperial
DAOF51241-0410IN	9/16"-18	1"-14	9.80	4.37	11.51	44.50	1-1/8"	1-1/8"	Imperial
DAOF51241-0412IN	9/16"-18	1-3/16"-12	9.80	4.37	13.89	49.00	1-1/4"	1-3/8"	Imperial
DAOF51241-0416IN	9/16"-18	1-7/16"-12	9.80	4.37	19.89	51.50	1-3/8"	1-5/8"	Imperial
DAOF51241-0604	11/16"-16	9/16"-18	11.20	6.71	4.19	36.50	19 mm	17 mm	Metric
DAOF51241-0606	11/16"-16	11/16"-16	11.20	6.71	6.71	38.50	19 mm	22 mm	Metric
DAOF51241-0608	11/16"-16	13/16"-16	11.20	6.71	9.09	40.00	19 mm	24 mm	Metric
DAOF51241-0610	11/16"-16	1"-14	11.20	6.71	11.51	46.00	27 mm	30 mm	Metric
DAOF51241-0612	11/16"-16	1-3/16"-12	11.20	6.71	13.89	50.80	32 mm	36 mm	Metric
DAOF51241-0604IN	11/16"-16	9/16"-18	11.20	6.71	4.19	36.50	3/4"	11/16"	Imperial
DAOF51241-0606IN	11/16"-16	11/16"-16	11.20	6.71	6.71	38.50	3/4"	7/8"	Imperial
DAOF51241-0608IN	11/16"-16	13/16"-16	11.20	6.71	9.09	40.00	3/4"	15/16"	Imperial
DAOF51241-0610IN	11/16"-16	1"-14	11.20	6.71	11.51	46.00	1-1/8"	1-1/8"	Imperial
DAOF51241-0612IN	11/16"-16	1-3/16"-12	11.20	6.71	13.89	50.80	1-1/4"	1-3/8"	Imperial
DAOF51241-0806	13/16"-16	11/16"-16	12.80	9.60	6.71	40.50	22	22 mm	Metric
DAOF51241-0808	13/16"-16	13/16"-16	12.80	9.09	9.09	43.50	22	24 mm	Metric

Web: <https://www.dmejde.com>  
E-mail: [info@dmejde.com](mailto:info@dmejde.com)



DAOF51241-0810	13/16"-16	1"-14	12.80	9.60	11.51	48.00	27	30 mm	Metric
DAOF51241-0812	13/16"-16	1-3/16"-12	12.80	9.60	13.89	52.00	32	36 mm	Metric
DAOF51241-0816	13/16"-16	1-7/16"-12	12.80	9.60	19.89	54.00	36	41 mm	Metric
DAOF51241-0806IN	13/16"-16	11/16"-16	12.80	9.60	6.71	40.50	7/8"	7/8"	Imperial
DAOF51241-0808IN	13/16"-16	13/16"-16	12.80	9.09	9.09	43.50	7/8"	15/16"	Imperial
DAOF51241-0810IN	13/16"-16	1"-14	12.80	9.60	11.51	48.00	1-1/8"	1-1/8"	Imperial
DAOF51241-0812IN	13/16"-16	1-3/16"-12	12.80	9.60	13.89	52.00	1-1/4"	1-3/8"	Imperial
DAOF51241-0816IN	13/16"-16	1-7/16"-12	12.80	9.60	19.89	54.00	1-3/8"	1-5/8"	Imperial
DAOF51241-1008	1"-14	13/16"-16	15.49	12.50	9.09	48.50	27	24 mm	Metric
DAOF51241-1010	1"-14	1"-14	15.49	11.51	11.51	52.00	27	30 mm	Metric
DAOF51241-1012	1"-14	1-3/16"-12	15.49	12.29	13.89	56.50	32	36 mm	Metric
DAOF51241-1008IN	1"-14	13/16"-16	15.49	12.50	9.09	48.50	1-1/8"	15/16"	Imperial
DAOF51241-1010IN	1"-14	1"-14	15.49	11.51	11.51	52.00	1-1/8"	1-1/8"	Imperial
DAOF51241-1012IN	1"-14	1-3/16"-12	15.49	12.29	13.89	56.50	1-1/4"	1-3/8"	Imperial
DAOF51241-1208	1-3/16"-12	13/16"-16	17.02	15.47	9.09	51.00	32	24 mm	Metric
DAOF51241-1210	1-3/16"-12	1"-14	17.02	15.47	11.51	55.00	32	30 mm	Metric
DAOF51241-1212	1-3/16"-12	1-3/16"-12	17.02	13.89	13.89	58.00	32	36 mm	Metric
DAOF51241-1216	1-3/16"-12	1-7/16"-12	17.02	15.47	19.89	60.50	36	41 mm	Metric
DAOF51241-1208IN	1-3/16"-12	13/16"-16	17.02	15.47	9.09	51.00	1-1/4"	15/16"	Imperial
DAOF51241-1210IN	1-3/16"-12	1"-14	17.02	15.47	11.51	55.00	1-1/4"	1-1/8"	Imperial
DAOF51241-1212IN	1-3/16"-12	1-3/16"-12	17.02	13.89	13.89	58.00	1-1/4"	1-3/8"	Imperial
DAOF51241-1216IN	1-3/16"-12	1-7/16"-12	17.02	15.47	19.89	60.50	1-3/8"	1-5/8"	Imperial
DAOF51241-1608	1-7/16"-12	13/16"-16	17.50	20.60	9.09	53.00	38	24 mm	Metric
DAOF51241-1612	1-7/16"-12	1-3/16"-12	17.50	20.60	13.89	60.00	38	36 mm	Metric
DAOF51241-1616	1-7/16"-12	1-7/16"-12	17.50	19.89	19.89	62.00	38	41 mm	Metric
DAOF51241-1620	1-7/16"-12	1-11/16"-12	17.50	20.60	26.01	60.00	41	50 mm	Metric
DAOF51241-1608IN	1-7/16"-12	13/16"-16	17.50	20.60	9.09	53.00	1-1/2"	15/16"	Imperial
DAOF51241-1612IN	1-7/16"-12	1-3/16"-12	17.50	20.60	13.89	60.00	1-1/2"	1-3/8"	Imperial
DAOF51241-1616IN	1-7/16"-12	1-7/16"-12	17.50	19.89	19.89	62.00	1-1/2"	1-5/8"	Imperial
DAOF51241-1620IN	1-7/16"-12	1-11/16"-12	17.50	20.60	26.01	60.00	1-1/2"	1-7/8"	Imperial
DAOF51241-2016	1-11/16"-12	1-7/16"-12	17.50	26.00	19.89	61.50	46	41 mm	Metric
DAOF51241-2020	1-11/16"-12	1-11/16"-12	17.50	26.00	26.00	66.50	48	50 mm	Metric
DAOF51241-2024	1-11/16"-12	2"-12	17.50	26.00	32.00	66.00	50	60 mm	Metric
DAOF51241-2016IN	1-11/16"-12	1-7/16"-12	17.50	26.00	19.89	61.50	1-3/4"	1-5/8"	Imperial
DAOF51241-2020IN	1-11/16"-12	1-11/16"-12	17.50	26.00	26.00	66.50	1-7/8"	1-7/8"	Imperial
DAOF51241-2024IN	1-11/16"-12	2"-12	17.50	26.00	32.00	66.00	2"	2-1/4"	Imperial
DAOF51241-2424	2"-12	2"-12	17.50	32.00	32.00	66.00	55	60 mm	Metric
DAOF51241-2424IN	2"-12	2"-12	17.50	32.00	32.00	66.00	2-1/8"	2-1/4"	Imperial



Web: <https://www.dmejde.com>  
E-mail: [info@dmejde.com](mailto:info@dmejde.com)



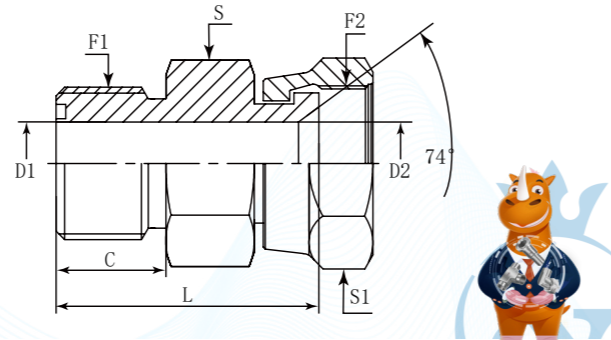
## DAOF51251

Straight Connector ORFS Male - JIC 74° Swivel Female

<b>D</b>	<b>A</b>	<b>OF</b>	<b>5</b>	<b>1</b>	<b>251</b>
Company	Product Range	Thread Types	Connection Type	Adaptor Structure	Connection Type
<b>DME</b>	Adaptor	ORFS UNF	Male + O Ring	Straight	JIC Swivel Female



- DME&JDE Code: **DAOF51251**
- Product Type: **Hydraulic adaptor**
- Standard: **ORFS**
- Structure: **Straight**
- Connection Type: **Male x Swivel Female**
- Thread Types: **UNF x UNF 74°**



PART NUMBER	F1 (Thread)	F2 (Thread)	C	D1	D2	L	S	S1	Hex
#	UNF	UNF	mm	mm	mm	mm	-	-	-
DAOF51251-0404	9/16"-18	7/16"-20	9.80	4.37	4.37	25.70	17 mm	14 mm	Metric
DAOF51251-0606	11/16"-16	9/16"-18	11.20	6.71	6.71	30.23	19 mm	19 mm	Metric
DAOF51251-0808	13/16"-16	3/4"-16	12.80	9.50	9.50	34.24	22 mm	22 mm	Metric
DAOF51251-1010	1"-14	7/8"-14	15.49	12.29	12.29	38.00	27 mm	27 mm	Metric
DAOF51251-1210	1-3/16"-12	7/8"-14	17.02	15.47	12.29	42.50	32 mm	27 mm	Metric
DAOF51251-1212	1-3/16"-12	1-1/16"-12	17.02	15.47	15.47	43.35	32 mm	32 mm	Metric
DAOF51251-1616	1-7/16"-12	1-5/16"-12	17.50	20.50	20.50	47.40	41 mm	41 mm	Metric
DAOF51251-2020	1-11/16"-12	1-5/8"-12	17.50	26.00	26.00	50.00	46 mm	50 mm	Metric
DAOF51251-2424	2"-12	1-7/8"-12	17.50	32.00	32.00	52.00	55 mm	60 mm	Metric
DAOF51251-0404IN	9/16"-18	7/16"-20	9.80	4.37	4.37	25.70	5/8"	9/16"	Imperial
DAOF51251-0606IN	11/16"-16	9/16"-18	11.20	6.71	6.71	30.23	3/4"	11/16"	Imperial
DAOF51251-0808IN	13/16"-16	3/4"-16	12.80	9.50	9.50	34.24	7/8"	7/8"	Imperial
DAOF51251-1010IN	1"-14	7/8"-14	15.49	12.29	12.29	38.00	1-1/16"	1"	Imperial
DAOF51251-1210IN	1-3/16"-12	7/8"-14	17.02	15.47	12.29	42.50	1-1/4"	1"	Imperial
DAOF51251-1212IN	1-3/16"-12	1-1/16"-12	17.02	15.47	15.47	43.35	1-1/4"	1-1/4"	Imperial
DAOF51251-1616IN	1-7/16"-12	1-5/16"-12	17.50	20.50	20.50	47.40	1-1/2"	1-1/2"	Imperial
DAOF51251-2020IN	1-11/16"-12	1-5/8"-12	17.50	26.00	26.00	50.00	1-3/4"	2"	Imperial
DAOF51251-2424IN	2"-12	1-7/8"-12	17.50	32.00	32.00	52.00	2-1/8"	2-1/2"	Imperial

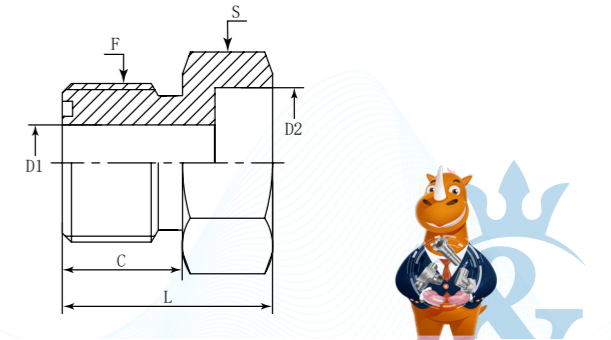
## DAOF5100B

Straight Connector ORFS Male - Metric / Imperial Tube - Socket Welding-SW

<b>D</b>	<b>A</b>	<b>OF</b>	<b>5</b>	<b>1</b>	<b>00</b>	<b>B</b>
Company	Product Range	Thread Types	Sealing Method	Adaptor Structure	Sealing Type	Welding Type
<b>DME</b>	Adaptor	ORFS UNF	Male + O Ring	Straight	Welding	Socket



- DME&JDE Code: **DAOF5100B**
- Product Type: **Hydraulic adaptor**
- Standard: **ORFS**
- Structure: **Straight**
- Connection Type: **Male**
- Thread Types: **UNF**
- Sealing Method: **Welding**



PART NUMBER	F (Thread)	C	D1	D2	L	S	Hex
#	UNF	mm	mm	mm	mm	-	-
DAOF5100B-0406	9/16"-18	9.80	4.37	6.50	21.84	17 mm	Metric
DAOF5100B-0410	9/16"-18	9.80	4.37	9.53	22.86	19 mm	Metric
DAOF5100B-0406IN	9/16"-18	9.80	4.37	6.50	21.84	5/8"	Imperial
DAOF5100B-0410IN	9/16"-18	9.80	4.37	9.53	22.86	3/4"	Imperial
DAOF5100B-0612	11/16"-16	11.20	6.71	12.85	22.86	22 mm	Metric
DAOF5100B-0612IN	11/16"-16	11.20	6.71	12.85	22.86	7/8"	Imperial
DAOF5100B-0810	13/16"-16	12.80	7.54	9.68	24.64	22 mm	Metric
DAOF5100B-0816	13/16"-16	12.80	9.60	16.03	24.64	22 mm	Metric
DAOF5100B-0820	13/16"-16	12.80	9.60	19.23	28.60	27 mm	Metric
DAOF5100B-0810IN	13/16"-16	12.80	7.54	9.68	24.64	7/8"	Imperial
DAOF5100B-0816IN	13/16"-16	12.80	9.60	16.03	24.64	7/8"	Imperial
DAOF5100B-0820IN	13/16"-16	12.80	9.60	19.23	28.60	1-1/16"	Imperial
DAOF5100B-1016	1"-14	15.49	12.29	16.03	27.18	27 mm	Metric
DAOF5100B-1020	1"-14	15.49	12.29	19.23	31.25	32 mm	Metric
DAOF5100B-1016IN	1"-14	15.49	12.29	16.03	27.18	1-1/16"	Imperial
DAOF5100B-1020IN	1"-14	15.49	12.29	19.23	31.25	1-1/4"	Imperial
DAOF5100B-1216	1-3/16"-12	17.02	12.29	16.03	30.00	32 mm	Metric
DAOF5100B-1220	1-3/16"-12	17.02	15.47	19.23	33.50	32 mm	Metric
DAOF5100B-1225	1-3/16"-12	17.02	15.47	25.58	35.05	41 mm	Metric
DAOF5100B-1216IN	1-3/16"-12	17.02	12.29	16.03	30.00	1-1/4"	Imperial
DAOF5100B-1220IN	1-3/16"-12	17.02	15.47	19.23	33.50	1-1/4"	Imperial
DAOF5100B-1225IN	1-3/16"-12	17.02	15.47	25.58	35.05	1-1/2"	Imperial
DAOF5100B-1620	1-7/16"-12	17.50	15.47	19.23	37.10	41 mm	Metric
DAOF5100B-1625	1-7/16"-12	17.50	20.50	25.58	38.10	41 mm	Metric
DAOF5100B-1632	1-7/16"-12	17.50	20.60	31.95	38.60	46 mm	Metric
DAOF5100B-1620IN	1-7/16"-12	17.50	15.47	19.23	37.10	1-1/2"	Imperial
DAOF5100B-1625IN	1-7/16"-12	17.50	20.50	25.58	38.10	1-1/2"	Imperial
DAOF5100B-1632IN	1-7/16"-12	17.50	20.60	31.95	38.60	1-3/4"	Imperial
DAOF5100B-2025	1-11/16"-12	17.50	20.60	25.58	38.61	46 mm	Metric
DAOF5100B-2032	1-11/16"-12	17.50	26.01	31.95	38.60	46 mm	Metric
DAOF5100B-2038	1-11/16"-12	17.50	26.01	38.30	38.60	55 mm	Metric
DAOF5100B-2025IN	1-11/16"-12	17.50	20.60	25.58	38.61	1-3/4"	Imperial
DAOF5100B-2032IN	1-11/16"-12	17.50	26.01	31.95	38.60	1-3/4"	Imperial
DAOF5100B-2038IN	1-11/16"-12	17.50	26.01	38.30	38.60	2-1/8"	Imperial
DAOF5100B-2438	2"-12	17.50	32.00	38.30	38.60	55 mm	Metric
DAOF5100B-2438IN	2"-12	17.50	32.00	38.30	38.60	2-1/8"	Imperial



## DAOF51000

ORFS Male Plug

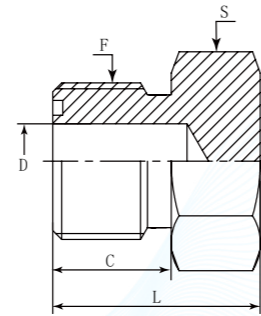
<b>D</b>	<b>A</b>	<b>OF</b>	<b>S</b>	<b>1</b>	<b>000</b>
Company	Product Range	Thread Types	Sealing Type	Adaptor Structure	Other Features
<b>DME</b>	Adaptor	ORFS UNF	Male + O Ring	Straight	Nut/Plug

German Technology Equipment

**SHIELD FLEX**

New-Standard

- DME&JDE Code: **DAOF51000**
- Product Type: **Hydraulic adaptor**
- Standard: **ORFS**
- Connection Type: **Male**
- Thread types: **UNF**
- Other Features: **Nut/Plug**



PART NUMBER	F (Thread)	C	D	L	S	Hex
#	UNF	mm	mm	mm	-	-
DAOF51000-0400	9/16"-18	9.80	4.37	16.70	17 mm	Metric
DAOF51000-0400IN	9/16"-18	9.80	4.37	16.70	5/8"	Imperial
DAOF51000-0600	11/16"-16	11.20	6.71	19.10	19 mm	Metric
DAOF51000-0600IN	11/16"-16	11.20	6.71	19.10	3/4"	Imperial
DAOF51000-0800	13/16"-16	12.80	9.60	21.70	22 mm	Metric
DAOF51000-0800IN	13/16"-16	12.80	9.60	21.70	7/8"	Imperial
DAOF51000-1000	1"-14	15.49	12.29	25.90	27 mm	Metric
DAOF51000-1000IN	1"-14	15.49	12.29	25.90	1-1/16"	Imperial
DAOF51000-1200	1-3/16"-12	17.02	15.47	27.40	32 mm	Metric
DAOF51000-1200IN	1-3/16"-12	17.02	15.47	27.40	1-1/4"	Imperial
DAOF51000-1600	1-7/16"-12	17.50	20.60	27.90	41 mm	Metric
DAOF51000-1600IN	1-7/16"-12	17.50	20.60	27.90	1-1/2"	Imperial
DAOF51000-2000	1-11/16"-12	17.50	26.00	27.90	46 mm	Metric
DAOF51000-2000IN	1-11/16"-12	17.50	26.00	27.90	1-3/4"	Imperial
DAOF51000-2400	2"-12	17.50	32.00	27.90	55 mm	Metric
DAOF51000-2400IN	2"-12	17.50	32.00	27.90	2-1/8"	Imperial
DAOF51000-3200	2-1/2"-12	22.25	45.00	35.50	70 mm	Metric
DAOF51000-3200IN	2-1/2"-12	22.25	45.00	35.50	2-3/4"	Imperial



## DAOF11305

Straight Connector ORFS Swivel Female - SAE Male O Ring

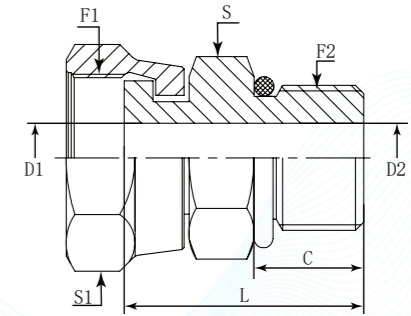
<b>D</b>	<b>A</b>	<b>OF</b>	<b>1</b>	<b>1</b>	<b>30</b>	<b>5</b>
Company	Product Range	Thread Types	Connection Type	Adaptor Structure	Thread Types	Connection Type
<b>DME</b>	Adaptor	ORFS UNF	Swivel Female	Straight	SAE UNF	Male O Ring

German Technology Equipment

**SHIELD FLEX**

New-Standard

- DME&JDE Code: **DAOF11305**
- Product Type: **Hydraulic adaptor**
- Standard: **ORFS**
- Structure: **Straight**
- Connection Type: **Swivel Female x Male**
- Thread Types: **ORFS UNF x SAE UNF + O Ring**
- Sealing Method: **O Ring**



PART NUMBER	F1 (Thread)	F2 (Thread)	C	D1	D2	L	S	S1	Hex
#	UNF	UNF	mm	mm	mm	mm	-	-	-
DAOF11305-0404	9/16"-18	7/16"-20	11.00	4.19	4.19	37.00	17 mm	17 mm	Metric
DAOF11305-0404IN	9/16"-18	7/16"-20	11.00	4.19	4.19	37.00	5/8"	11/16"	Imperial
DAOF11305-0606	11/16"-16	9/16"-18	11.99	6.71	6.71	39.30	19 mm	22 mm	Metric
DAOF11305-0606IN	11/16"-16	9/16"-18	11.99	6.71	6.71	39.30	3/4"	13/16"	Imperial
DAOF11305-0806	13/16"-16	9/16"-18	11.99	9.09	7.54	47.00	22 mm	24 mm	Metric
DAOF11305-0808	13/16"-16	3/4"-16	14.00	9.09	9.09	45.50	22 mm	24 mm	Metric
DAOF11305-0806IN	13/16"-16	9/16"-18	11.99	9.09	7.54	47.00	7/8"	15/16"	Imperial
DAOF11305-0808IN	13/16"-16	3/4"-16	14.00	9.09	9.09	45.50	7/8"	15/16"	Imperial
DAOF11305-1008	1"-14	3/4"-16	14.00	11.50	10.00	56.10	27 mm	30 mm	Metric
DAOF11305-1010	1"-14	7/8"-14	16.00	11.50	12.29	53.85	27 mm	30 mm	Metric
DAOF11305-1008IN	1"-14	3/4"-16	14.00	11.50	10.00	56.10	1-1/16"	1-1/8"	Imperial
DAOF11305-1010IN	1"-14	7/8"-14	16.00	11.50	12.29	53.85	1-1/16"	1-1/8"	Imperial
DAOF11305-1210	1-3/16"-12	7/8"-14	16.00	13.89	12.29	59.50	32 mm	36 mm	Metric
DAOF11305-1212	1-3/16"-12	1-1/16"-12	18.49	13.89	15.47	59.60	32 mm	36 mm	Metric
DAOF11305-1210IN	1-3/16"-12	7/8"-14	16.00	13.89	12.29	59.50	1-1/4"	1-3/8"	Imperial
DAOF11305-1212IN	1-3/16"-12	1-1/16"-12	18.49	13.89	15.47	59.60	1-1/4"	1-3/8"	Imperial
DAOF11305-1616	1-7/16"-12	1-5/16"-12	18.49	19.89	19.89	62.60	41 mm	41 mm	Metric
DAOF11305-1616IN	1-7/16"-12	1-5/16"-12	18.49	19.89	19.89	62.60	1-1/2"	1-5/8"	Imperial
DAOF11305-2020	1-11/16"-12	1-5/8"-12	18.49	26.01	26.01	67.51	50 mm	50 mm	Metric
DAOF11305-2020IN	1-11/16"-12	1-5/8"-12	18.49	26.01	26.01	67.51	1-7/8"	1-7/8"	Imperial
DAOF11305-2424	2"-12	1-7/8"-12	18.50	32.00	32.00	67.50	55 mm	60 mm	Metric
DAOF11305-2424IN	2"-12	1-7/8"-12	18.50	32.00	32.00	67.50	2-1/8"	2-1/4"	Imperial



# DAOF31245

Straight Connector ORFS Swivel Female - ORFS Male

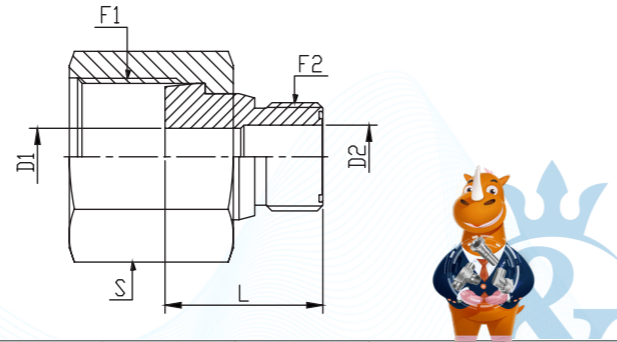
<b>D</b>	<b>A</b>	<b>OF</b>	<b>3</b>	<b>1</b>	<b>24</b>	<b>5</b>
Company	Product Range	Thread Types	Connection Type	Adaptor Structure	Thread Types	Sealing Type
<b>DME</b>	Adaptor	ORFS UNF	Female	Straight	ORFS UNF	Male+O Ring

German Technology Equipment

**SHIELD FLEX**

New-Standard

- DME&JDE Code:** DAOF31245
- Product Type:** Hydraulic adaptor
- Standard:** ORFS
- Structure:** Straight
- Connection Type:** Swivel Female x Male
- Thread Types:** UNF x UNF



PART NUMBER	F1 (Thread)	F2 (Thread)	D1	D2	L	S	Hex
#	UNF	UNF	mm	mm	mm	-	-
DAOF31245-0404	9/16"-18	9/16"-18	4.19	4.19	18.60	17 mm	Metric
DAOF31245-0406	9/16"-18	11/16"-16	4.20	4.20	17.80	17 mm	Metric
DAOF31245-0408	9/16"-18	13/16"-16	4.19	4.19	19.40	17 mm	Metric
DAOF31245-0404IN	9/16"-18	9/16"-18	4.19	4.19	18.60	11/16"	Imperial
DAOF31245-0406IN	9/16"-18	11/16"-16	4.20	4.20	17.80	11/16"	Imperial
DAOF31245-0408IN	9/16"-18	13/16"-16	4.19	4.19	19.40	11/16"	Imperial
DAOF31245-0604	11/16"-16	9/16"-18	4.37	4.37	19.56	22 mm	Metric
DAOF31245-0606	11/16"-16	11/16"-16	6.71	6.71	20.50	22 mm	Metric
DAOF31245-0608	11/16"-16	13/16"-16	6.71	9.60	23.30	22 mm	Metric
DAOF31245-0612	11/16"-16	1-3/16"-12	6.71	15.47	27.00	22 mm	Metric
DAOF31245-0604IN	11/16"-16	9/16"-18	4.37	4.37	19.56	13/16"	Imperial
DAOF31245-0606IN	11/16"-16	11/16"-16	6.71	6.71	20.50	13/16"	Imperial
DAOF31245-0608IN	11/16"-16	13/16"-16	6.71	9.60	23.30	13/16"	Imperial
DAOF31245-0612IN	11/16"-16	1-3/16"-12	6.71	15.47	27.00	13/16"	Imperial
DAOF31245-0804	13/16"-16	9/16"-18	4.37	4.37	21.84	24 mm	Metric
DAOF31245-0806	13/16"-16	11/16"-16	6.71	6.71	22.35	24 mm	Metric
DAOF31245-0808	13/16"-16	13/16"-16	9.60	9.60	24.00	24 mm	Metric
DAOF31245-0810	13/16"-16	1"-14	9.09	12.29	26.40	24 mm	Metric
DAOF31245-0812	13/16"-16	1-3/16"-12	9.09	15.47	27.50	24 mm	Metric
DAOF31245-0804IN	13/16"-16	9/16"-18	4.37	4.37	21.84	15/16"	Imperial
DAOF31245-0806IN	13/16"-16	11/16"-16	6.71	6.71	22.35	15/16"	Imperial
DAOF31245-0808IN	13/16"-16	13/16"-16	9.60	9.60	24.00	15/16"	Imperial
DAOF31245-0810IN	13/16"-16	1"-14	9.09	12.29	26.40	15/16"	Imperial
DAOF31245-0812IN	13/16"-16	1-3/16"-12	9.09	15.47	27.50	15/16"	Imperial

Web: <https://www.dmejde.com>  
E-mail: [info@dmejde.com](mailto:info@dmejde.com)



Certificate:

DAOF31245-1004	1"-14	9/16"-18	4.37	4.37	22.86	30 mm	Metric
DAOF31245-1006	1"-14	11/16"-16	6.71	6.71	24.20	30 mm	Metric
DAOF31245-1008	1"-14	13/16"-16	9.60	9.60	25.65	30 mm	Metric
DAOF31245-1010	1"-14	1"-14	11.51	11.51	28.50	30 mm	Metric
DAOF31245-1012	1"-14	1-3/16"-12	15.47	15.47	27.00	30 mm	Metric
DAOF31245-1004IN	1"-14	9/16"-18	4.37	4.37	22.86	1-1/8"	Imperial
DAOF31245-1006IN	1"-14	11/16"-16	6.71	6.71	24.20	1-1/8"	Imperial
DAOF31245-1008IN	1"-14	13/16"-16	9.60	9.60	25.65	1-1/8"	Imperial
DAOF31245-1010IN	1"-14	1"-14	11.51	11.51	28.50	1-1/8"	Imperial
DAOF31245-1012IN	1"-14	1-3/16"-12	15.47	15.47	27.00	1-1/8"	Imperial
DAOF31245-1204	1-3/16"-12	9/16"-18	4.37	4.37	24.90	36 mm	Metric
DAOF31245-1206	1-3/16"-12	11/16"-16	6.71	6.71	26.16	36 mm	Metric
DAOF31245-1208	1-3/16"-12	13/16"-16	9.60	9.60	27.69	36 mm	Metric
DAOF31245-1210	1-3/16"-12	1"-14	12.29	12.29	30.40	36 mm	Metric
DAOF31245-1216	1-3/16"-12	1-7/16"-12	15.47	15.47	31.50	36 mm	Metric
DAOF31245-1204IN	1-3/16"-12	9/16"-18	4.37	4.37	24.90	1-3/8"	Imperial
DAOF31245-1206IN	1-3/16"-12	11/16"-16	6.71	6.71	26.16	1-3/8"	Imperial
DAOF31245-1208IN	1-3/16"-12	13/16"-16	9.60	9.60	27.69	1-3/8"	Imperial
DAOF31245-1210IN	1-3/16"-12	1"-14	12.29	12.29	30.40	1-3/8"	Imperial
DAOF31245-1216IN	1-3/16"-12	1-7/16"-12	15.47	15.47	31.50	1-3/8"	Imperial
DAOF31245-1604	1-7/16"-12	9/16"-18	4.37	4.37	26.21	41 mm	Metric
DAOF31245-1606	1-7/16"-12	11/16"-16	6.71	6.71	27.61	41 mm	Metric
DAOF31245-1608	1-7/16"-12	13/16"-16	9.60	9.60	29.21	41 mm	Metric
DAOF31245-1610	1-7/16"-12	1"-14	12.29	12.29	31.90	41 mm	Metric
DAOF31245-1612	1-7/16"-12	1-3/16"-12	15.47	15.47	33.00	41 mm	Metric
DAOF31245-1616	1-7/16"-12	1-7/16"-12	19.89	19.89	33.50	41 mm	Metric
DAOF31245-1604IN	1-7/16"-12	9/16"-18	4.37	4.37	26.21	1-5/8"	Imperial
DAOF31245-1606IN	1-7/16"-12	11/16"-16	6.71	6.71	27.61	1-5/8"	Imperial
DAOF31245-1608IN	1-7/16"-12	13/16"-16	9.60	9.60	29.21	1-5/8"	Imperial
DAOF31245-1610IN	1-7/16"-12	1"-14	12.29	12.29	31.90	1-5/8"	Imperial
DAOF31245-1612IN	1-7/16"-12	1-3/16"-12	15.47	15.47	33.00	1-5/8"	Imperial
DAOF31245-1616IN	1-7/16"-12	1-7/16"-12	19.89	19.89	33.50	1-5/8"	Imperial
DAOF31245-2012	1-11/16"-12	1-3/16"-12	15.47	15.47	33.53	50 mm	Metric
DAOF31245-2016	1-11/16"-12	1-7/16"-12	20.60	20.60	38.46	50 mm	Metric
DAOF31245-2012IN	1-11/16"-12	1-3/16"-12	15.47	15.47	33.53	1-7/8"	Imperial
DAOF31245-2016IN	1-11/16"-12	1-7/16"-12	20.60	20.60	38.46	1-7/8"	Imperial
DAOF31245-2412	2"-12	1-3/16"-12	15.50	15.50	33.53	60 mm	Metric
DAOF31245-2416	2"-12	1-7/16"-12	20.60	20.60	34.04	60 mm	Metric
DAOF31245-2420	2"-12	1-11/16"-12	26.00	26.00	34.04	60 mm	Metric
DAOF31245-2412IN	2"-12	1-3/16"-12	15.50	15.50	33.53	2-1/4"	Imperial
DAOF31245-2416IN	2"-12	1-7/16"-12	20.60	20.60	34.04	2-1/4"	Imperial
DAOF31245-2420IN	2"-12	1-11/16"-12	26.00	26.00	34.04	2-1/4"	Imperial
DAOF31245-3224	2-1/2"-12	2"-12	32.00	32.00	40.50	73 mm	Metric
DAOF31245-3224IN	2-1/2"-12	2"-12	32.00	32.00	40.50	2-7/8"	Imperial

Certificate:

Web: <https://www.dmejde.com>  
E-mail: [info@dmejde.com](mailto:info@dmejde.com)



## DAOF1105M

Straight Connector ORFS Female Swivel - BSPP 60° Male Cone

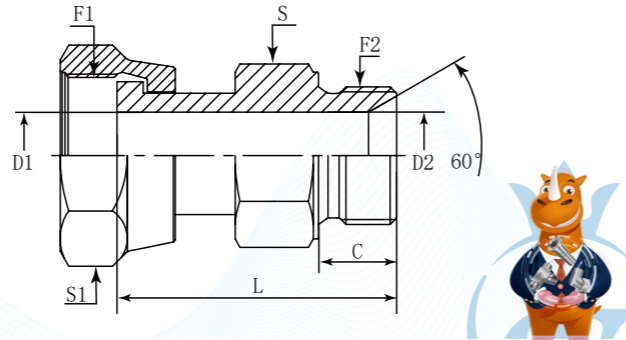
<b>D</b>	<b>A</b>	<b>OF</b>	<b>1</b>	<b>1</b>	<b>05</b>	<b>M</b>
Company	Product Range	Thread Types	Connection Type	Adaptor Structure	Thread Types	Connection Type
<b>DME</b>	Adaptor	ORFS UNF	Swivel Female	Straight	BSPP	Male

**German Technology Equipment**

**SHIELD FLEX**

New-Standard

- DME&JDE Code: **DAOF1105M**
- Product Type: **Hydraulic adaptor**
- Standard: **ORFS**
- Structure: **Straight**
- Connection Type: **Female Swivel x Male**
- Thread Types: **UNF x BSPP 60° Cone**



PART NUMBER	F1 (Thread)	F2 (Thread)	C	D1	D2	L	S	S1
#	UNF	BSPP	mm	mm	mm	mm	mm	mm
DAOF1105M-0404	9/16"-18	1/4"-19	11.00	4.19	4.19	34.50	19.00	19.00
DAOF1105M-0406	9/16"-18	3/8"-19	12.00	4.19	7.90	38.00	22.00	19.00
DAOF1105M-0604	11/16"-16	1/4"-19	11.00	6.71	4.70	39.20	19.00	20.64
DAOF1105M-0606	11/16"-16	3/8"-19	12.00	6.71	7.90	38.50	22.00	20.64
DAOF1105M-0608	11/16"-16	1/2"-14	14.00	6.71	11.10	41.00	27.00	22.00
DAOF1105M-0806	13/16"-16	3/8"-19	12.00	9.09	7.90	42.50	22.00	23.81
DAOF1105M-0808	13/16"-16	1/2"-14	14.00	9.09	11.10	44.30	27.00	23.81
DAOF1105M-0812	13/16"-16	3/4"-14	16.00	9.09	16.70	49.00	32.00	23.81
DAOF1105M-1008	1"-14	1/2"-14	14.00	11.10	11.10	47.50	27.00	30.00
DAOF1105M-1012	1"-14	3/4"-14	16.00	11.51	16.70	51.00	32.00	30.00
DAOF1105M-1212	1-3/16"-12	3/4"-14	16.00	13.89	16.70	55.00	32.00	36.00
DAOF1105M-1216	1-3/16"-12	1"-11	19.00	13.89	22.20	60.00	41.00	36.00
DAOF1105M-1616	1-7/16"-12	1"-11	19.00	19.90	22.20	61.00	41.00	41.00
DAOF1105M-1620	1-7/16"-12	1-1/4"-11	20.00	19.90	28.60	66.00	50.00	41.00

## DAOF1125M

Straight Connector ORFS Swivel Female - JIC 74° Male

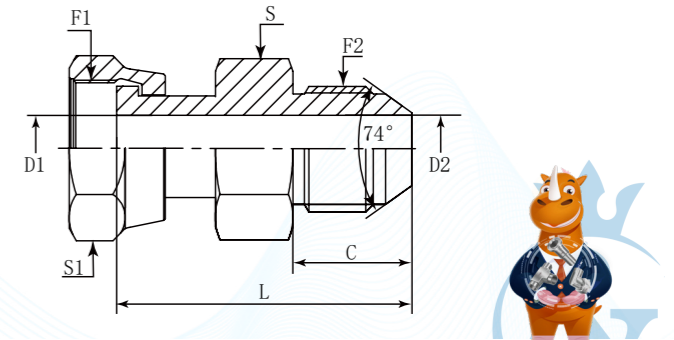
<b>D</b>	<b>A</b>	<b>OF</b>	<b>1</b>	<b>1</b>	<b>25</b>	<b>M</b>
Company	Product Range	Thread Types	Connection Type	Adaptor Structure	Thread Types	Connection Type
<b>DME</b>	Adaptor	ORFS UNF	Swivel Female	Straight	JIC UNF	Male

**German Technology Equipment**

**SHIELD FLEX**

New-Standard

- DME&JDE Code: **DAOF1125M**
- Product Type: **Hydraulic adaptor**
- Standard: **ORFS**
- Structure: **Straight**
- Connection Type: **Swivel Female x Male**
- Thread Types: **ORFS UNF x JIC UNF 74°**



PART NUMBER	F1 (Thread)	F2 (Thread)	C	D1	D2	L	S	S1	Hex
#	UNF	UNF	mm	mm	mm	mm	-	-	-
DAOF1125M-0404	9/16"-18	7/16"-20	13.97	4.19	4.19	40.10	17 mm	17 mm	Metric
DAOF1125M-0406	9/16"-18	9/16"-18	14.12	4.19	7.54	40.20	17 mm	17 mm	Metric
DAOF1125M-0404IN	9/16"-18	7/16"-20	13.97	4.19	4.19	40.10	5/8"	11/16"	Imperial
DAOF1125M-0406IN	9/16"-18	9/16"-18	14.12	4.19	7.54	40.20	5/8"	11/16"	Imperial
DAOF1125M-0604	11/16"-16	7/16"-20	13.97	6.71	4.37	42.20	19 mm	22 mm	Metric
DAOF1125M-0606	11/16"-16	9/16"-18	14.12	6.71	6.71	42.00	19 mm	22 mm	Metric
DAOF1125M-0604IN	11/16"-16	7/16"-20	13.97	6.71	4.37	42.20	3/4"	13/16"	Imperial
DAOF1125M-0606IN	11/16"-16	9/16"-18	14.12	6.71	6.71	42.00	3/4"	13/16"	Imperial
DAOF1125M-0804	13/16"-16	7/16"-20	13.97	9.09	4.37	49.30	22 mm	24 mm	Metric
DAOF1125M-0806	13/16"-16	9/16"-18	14.12	9.09	7.54	49.00	22 mm	24 mm	Metric
DAOF1125M-0808	13/16"-16	3/4"-16	16.69	9.09	9.93	48.26	22 mm	24 mm	Metric
DAOF1125M-0812	13/16"-16	1-1/16"-12	21.95	9.09	15.47	55.73	27 mm	24 mm	Metric
DAOF1125M-0804IN	13/16"-16	7/16"-20	13.97	9.09	4.37	49.30	7/8"	15/16"	Imperial
DAOF1125M-0806IN	13/16"-16	9/16"-18	14.12	9.09	7.54	49.00	7/8"	15/16"	Imperial
DAOF1125M-0808IN	13/16"-16	3/4"-16	16.69	9.09	9.93	48.26	7/8"	15/16"	Imperial
DAOF1125M-0812IN	13/16"-16	1-1/16"-12	21.95	9.09	15.47	55.73	1-1/16"	15/16"	Imperial
DAOF1125M-1010	1"-14	7/8"-14	19.25	11.51	12.29	57.10	27 mm	30 mm	Metric
DAOF1125M-1010IN	1"-14	7/8"-14	19.25	11.51	12.29	57.10	1-1/16"	1-1/8"	Imperial
DAOF1125M-1208	1-3/16"-12	3/4"-16	16.69	13.89	9.93	58.00	32 mm	36 mm	Metric
DAOF1125M-1212	1-3/16"-12	1-1/16"-12	21.95	13.89	15.47	63.50	32 mm	36 mm	Metric
DAOF1125M-1208IN	1-3/16"-12	3/4"-16	16.69	13.89	9.93	58.00	1-1/4"	1-3/8"	Imperial
DAOF1125M-1212IN	1-3/16"-12	1-1/16"-12	21.95	13.89	15.47	63.50	1-1/4"	1-3/8"	Imperial
DAOF1125M-1610	1-7/16"-12	7/8"-14	19.25	19.89	12.29	64.00	41 mm	41 mm	Metric
DAOF1125M-1612	1-7/16"-12	1-1/16"-12	21.95	19.89	15.47	67.00	41 mm	41 mm	Metric
DAOF1125M-1616	1-7/16"-12	1-5/16"-12	23.14	19.89	19.89	67.31	41 mm	41 mm	Metric
DAOF1125M-1610IN	1-7/16"-12	7/8"-14	19.25	19.89	12.29	64.00	1-1/2"	1-5/8"	Imperial
DAOF1125M-1612IN	1-7/16"-12	1-1/16"-12	21.95	19.89	15.47	67.00	1-1/2"	1-5/8"	Imperial
DAOF1125M-1616IN	1-7/16"-12	1-5/16"-12	23.14	19.89	19.89	67.31	1-1/2"	1-5/8"	Imperial
DAOF1125M-2020	1-11/16"-12	1-5/8"-12	24.33	26.01	27.38	73.35	50 mm	50 mm	Metric
DAOF1125M-2020IN	1-11/16"-12	1-5/8"-12	24.33	26.01	27.38	73.35	1-7/8"	1-7/8"	Imperial
DAOF1125M-2424	2"-12	1-7/8"-12	27.51	32.00	32.00	71.00	50 mm	60 mm	Metric
DAOF1125M-2424IN	2"-12	1-7/8"-12	27.51	32.00	32.00	71.00	2"	2-1/4"	Imperial



## DAOF1107M

Straight Connector ORFS Swivel Female - BSPT Male 60° Cone

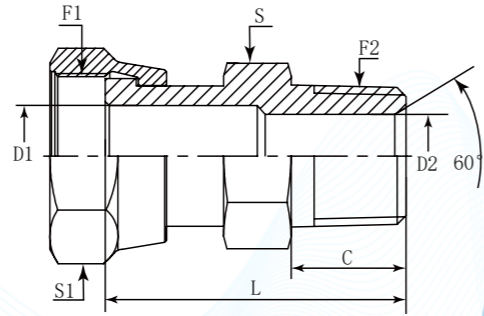
<b>D</b>	<b>A</b>	<b>OF</b>	<b>1</b>	<b>1</b>	<b>07</b>	<b>M</b>
Company	Product Range	Thread Types	Connection Type	Adaptor Structure	Thread Types	Connection Type
<b>DME</b>	Adaptor	ORFS UNF	Swivel Female	Straight	BSPT	Male

German Technology Equipment

**SHIELD FLEX**

New-Standard

- DME&JDE Code:** DAOF1107M
- Product Type:** Hydraulic adaptor
- Standard:** ORFS
- Structure:** Straight
- Connection Type:** Swivel Female x Male
- Thread Types:** UNF x BSPT 60° Cone



PART NUMBER	F1 (Thread)	F2 (Thread)	C	D1	D2	L	S	S1
#	UNF	BSPT	mm	mm	mm	mm	mm	mm
DAOF1107M-0402	9/16"-18	1/8"-28	10.00	4.19	4.19	35.50	15.88	17.45
DAOF1107M-0404	9/16"-18	1/4"-19	14.00	4.19	6.00	39.50	15.88	17.45
DAOF1107M-0604	11/16"-16	1/4"-19	14.00	6.00	6.00	41.50	19.00	20.62
DAOF1107M-0606	11/16"-16	3/8"-19	15.00	6.71	9.00	42.50	19.05	20.62
DAOF1107M-0608	11/16"-16	1/2"-14	19.00	6.71	12.00	47.00	22.22	20.62
DAOF1107M-0806	13/16"-16	3/8"-19	15.00	9.00	9.00	46.00	22.22	23.81
DAOF1107M-0808	13/16"-16	1/2"-14	19.00	9.09	12.00	50.00	22.22	23.81
DAOF1107M-1008	1"-14	1/2"-14	19.00	11.51	11.51	54.50	25.40	30.00
DAOF1107M-1208	1-3/16"-12	1/2"-14	19.00	13.89	12.00	58.50	31.75	34.92
DAOF1107M-1212	1-3/16"-12	3/4"-14	20.00	13.89	16.70	59.50	31.75	34.92
DAOF1107M-1216	1-3/16"-12	1"-11	24.00	13.89	22.20	65.50	34.93	34.93
DAOF1107M-1612	1-7/16"-12	3/4"-14	20.00	19.89	16.70	65.50	38.10	41.28
DAOF1107M-1616	1-7/16"-12	1"-11	24.00	19.89	22.20	68.50	38.10	41.28

## DAOF1106Q

Straight Connector ORFS Male - BSPT Male + O Ring + Retaining Ring

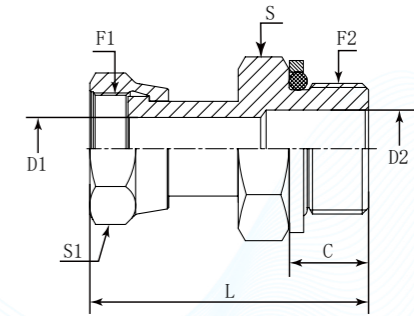
<b>D</b>	<b>A</b>	<b>OF</b>	<b>1</b>	<b>1</b>	<b>06</b>	<b>0</b>
Company	Product Range	Thread Types	Connection Type	Adaptor Structure	Thread Types	Connection & Sealing Method
<b>DME</b>	Adaptor	ORFS UNF	Male	Straight	BSPP	Male + O Ring + Retaining Ring

German Technology Equipment

**SHIELD FLEX**

New-Standard

- DME&JDE Code:** DAOF1106Q
- Product Type:** Hydraulic adaptor
- Standard:** ORFS
- Structure:** Straight
- Connection Type:** Male x Male
- Thread Types:** UNF x BSPP



PART NUMBER	F1 (Thread)	F2 (Thread)	C	D1	D2	L	S	S1
#	UNF	BSPP	mm	mm	mm	mm	mm	mm
DAOF1106Q-0402	9/16"-18	1/8"-28	6.70	4.19	4.19	39.00	17	17
DAOF1106Q-0404	9/16"-18	1/4"-19	10.20	4.19	7.50	43.50	19	17
DAOF1106Q-0604	11/16"-16	1/4"-19	10.20	6.71	6.71	48.50	19	22
DAOF1106Q-0606	11/16"-16	3/8"-19	10.20	6.71	9.90	50.00	24	22
DAOF1106Q-0608	11/16"-16	1/2"-14	12.20	6.71	12.30	53.00	27	22
DAOF1106Q-0804	13/16"-16	1/4"-19	10.20	9.09	7.50	54.50	22	24
DAOF1106Q-0806	13/16"-16	3/8"-19	10.20	9.09	9.09	55.00	24	24
DAOF1106Q-0808	13/16"-16	1/2"-14	12.20	9.09	12.30	59.00	27	24
DAOF1106Q-1006	1"-14	3/8"-19	10.00	11.51	9.90	59.50	24	30
DAOF1106Q-1008	1"-14	1/2"-14	12.20	11.51	11.51	61.50	27	30
DAOF1106Q-1010	1"-14	3/4"-14	14.50	11.51	14.00	66.00	36	30
DAOF1106Q-1208	1-3/16"-12	1/2"-14	12.20	13.89	12.30	67.50	30	36
DAOF1106Q-1212	1-3/16"-12	3/4"-14	14.50	13.89	13.89	68.50	36	36
DAOF1106Q-1216	1-3/16"-12	1"-11	15.50	13.89	21.50	73.50	41	36
DAOF1106Q-1612	1-7/16"-12	3/4"-14	14.50	19.89	15.50	72.00	36	41
DAOF1106Q-1616	1-7/16"-12	1"-11	15.50	19.89	21.50	74.00	41	41
DAOF1106Q-1620	1-7/16"-12	1-1/4"-11	17.50	19.89	27.50	78.50	50	41
DAOF1106Q-2016	1-11/16"-12	1"-11	15.50	26.01	21.50	76.00	41	50
DAOF1106Q-2020	1-11/16"-12	1-1/4"-11	17.50	26.01	27.50	79.00	50	50
DAOF1106Q-2024	1-11/16"-12	1-1/2"-11	19.50	26.01	33.00	82.00	60	50
DAOF1106Q-2424	2"-12	1-1/2"-11	19.50	32.00	33.00	82.00	60	57

Certificate:



## DAOF11061

Straight Connector ORFS Swivel Female - BSPP Male with ED Ring

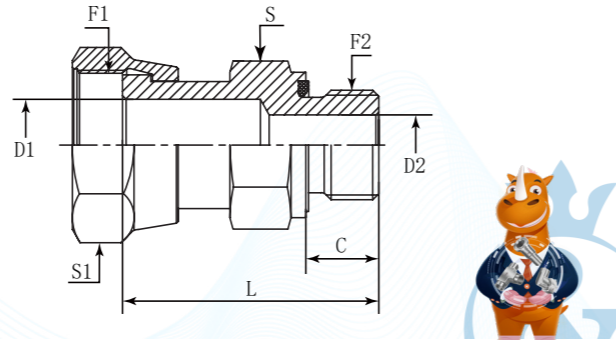
<b>D</b>	<b>A</b>	<b>OF</b>	<b>1</b>	<b>1</b>	<b>061</b>
Company	Product Range	Thread Types	Connection Type	Adaptor Structure	Connection & Sealing Method
<b>DME</b>	Adaptor	ORFS UNF	Swivel Female	Straight	BSPP Male with ED Ring

German Technology Equipment

**SHIELD FLEX**

New-Standard

- DME&JDE Code: DAOF11061
- Product Type: Hydraulic adaptor
- Standard: ORFS
- Structure: Straight
- Connection Type: Swivel Female x Male
- Thread Types: UNF x BSPP
- Sealing Method: ED Ring



PART NUMBER	F1 (Thread)	F2 (Thread)	C	D1	D2	L	S	S1
#	UNF	BSPP	mm	mm	mm	mm	mm	mm
DAOF11061-0404	9/16"-18	1/4"-19	12.00	4.19	4.19	38.00	19	17
DAOF11061-0604	11/16"-16	1/4"-19	12.00	6.71	5.00	40.00	19	22
DAOF11061-0606	11/16"-16	3/8"-19	12.00	6.71	8.00	40.00	22	22
DAOF11061-0804	13/16"-16	1/4"-19	12.00	9.09	5.00	47.00	22	24
DAOF11061-0806	13/16"-16	3/8"-19	12.00	9.00	8.00	47.00	22	24
DAOF11061-0808	13/16"-16	1/2"-14	14.00	9.09	12.00	49.00	27	24
DAOF11061-1208	1-3/16"-12	1/2"-14	14.00	14.00	12.00	55.00	30	36
DAOF11061-1212	1-3/16"-12	3/4"-14	16.00	14.00	16.00	57.00	32	36
DAOF11061-1616	1-7/16"-12	1"-11	18.00	20.00	20.00	67.00	41	41

## DAOF1128M

Straight Connector ORFS Swivel Female - NPTF 60° Male

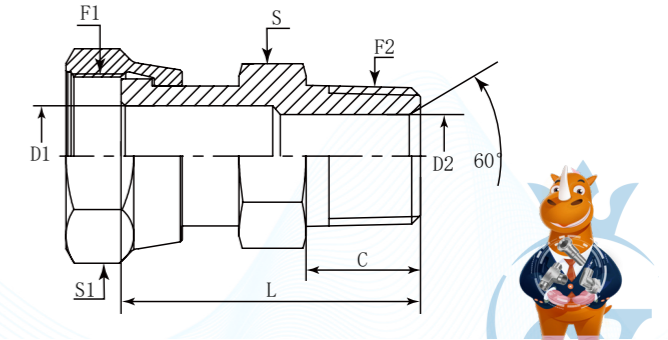
<b>D</b>	<b>A</b>	<b>OF</b>	<b>1</b>	<b>1</b>	<b>28</b>	<b>M</b>
Company	Product Range	Thread Types	Connection Type	Adaptor Structure	Thread Types	Connection Type
<b>DME</b>	Adaptor	ORFS UNF	Swivel Female	Straight	NPTF	Male

German Technology Equipment

**SHIELD FLEX**

New-Standard

- DME&JDE Code: DAOF1128M
- Product Type: Hydraulic adaptor
- Standard: ORFS
- Structure: Straight
- Connection Type: Swivel Female x Male
- Thread Types: UNF x NPTF 60°



PART NUMBER	F1 (Thread)	F2 (Thread)	C	D1	D2	L	S	S1	Hex
#	UNF	NPTF	mm	mm	mm	mm	-	-	-
DAOF1128M-0404	9/16"-18	1/4"-18	14.22	4.19	7.14	38.50	17 mm	17 mm	Metric
DAOF1128M-0404IN	9/16"-18	1/4"-18	14.22	4.19	7.14	38.50	5/8"	11/16"	Imperial
DAOF1128M-0604	11/16"-16	1/4"-18	14.22	6.71	7.14	41.91	19 mm	22 mm	Metric
DAOF1128M-0606	11/16"-16	3/8"-18	14.22	6.71	10.31	42.42	19 mm	22 mm	Metric
DAOF1128M-0608	11/16"-16	1/2"-14	19.05	6.71	12.00	48.00	22 mm	22 mm	Metric
DAOF1128M-0604IN	11/16"-16	1/4"-18	14.22	6.71	7.14	41.91	3/4"	13/16"	Imperial
DAOF1128M-0606IN	11/16"-16	3/8"-18	14.22	6.71	10.31	42.42	3/4"	13/16"	Imperial
DAOF1128M-0608IN	11/16"-16	1/2"-14	19.05	6.71	12.00	48.00	7/8"	13/16"	Imperial
DAOF1128M-0806	13/16"-16	3/8"-18	14.22	9.09	9.09	45.70	22 mm	24 mm	Metric
DAOF1128M-0808	13/16"-16	1/2"-14	19.05	9.09	13.49	54.61	22 mm	24 mm	Metric
DAOF1128M-0806IN	13/16"-16	3/8"-18	14.22	9.09	9.09	45.70	7/8"	15/16"	Imperial
DAOF1128M-0808IN	13/16"-16	1/2"-14	19.05	9.09	13.49	54.61	7/8"	15/16"	Imperial
DAOF1128M-1008	1"-14	1/2"-14	19.05	11.51	13.49	54.50	27 mm	30 mm	Metric
DAOF1128M-1008IN	1"-14	1/2"-14	19.05	11.51	13.49	54.50	1"	1-3/16"	Imperial
DAOF1128M-1212	1-3/16"-12	3/4"-14	19.05	13.89	18.26	58.50	32 mm	36 mm	Metric
DAOF1128M-1216	1-3/16"-12	1"-11-1/2	23.88	13.89	20.00	65.50	36 mm	36 mm	Metric
DAOF1128M-1212IN	1-3/16"-12	3/4"-14	19.05	13.89	18.26	58.50	1-1/4"	1-3/8"	Imperial
DAOF1128M-1216IN	1-3/16"-12	1"-11-1/2	23.88	13.89	20.00	65.50	1-3/8"	1-3/8"	Imperial
DAOF1128M-1616	1-7/16"-12	1"-11-1/2	23.88	19.89	23.83	68.50	41 mm	41 mm	Metric
DAOF1128M-1616IN	1-7/16"-12	1"-11-1/2	23.88	19.89	23.83	68.50	1-1/2"	1-5/8"	Imperial
DAOF1128M-2020	1-11/16"-12	1-1/4"-11-1/2	24.64	26.01	31.75	70.00	46 mm	50 mm	Metric
DAOF1128M-2020IN	1-11/16"-12	1-1/4"-11-1/2	24.64	26.01	31.75	70.00	1-3/4"	1-7/8"	Imperial
DAOF1128M-2424	2"-12	1-1/2"-11-1/2	25.40	32.00	38.10	75.00	55 mm	60 mm	Metric
DAOF1128M-2424IN	2"-12	1-1/2"-11-1/2	25.40	32.00	38.10	75.00	2-1/8"	2-1/4"	Imperial



## DAOF31000

ORFS Female Cap

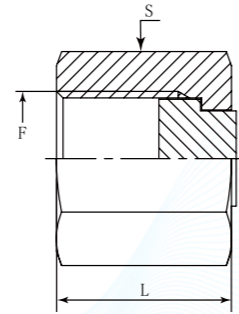
<b>D</b>	<b>A</b>	<b>OF</b>	<b>3</b>	<b>1</b>	<b>000</b>
Company	Product Range	Thread Types	Adaptor Structure	Adaptor Structure	Other Features
<b>DME</b>	Adaptor	ORFS UNF	Slip-on female	Straight	Nut/Plug

German Technology Equipment

**SHIELD FLEX**

New-Standard

- DME&JDE Code: DAOF31000
- Product Type: Hydraulic adaptor
- Standard: ORFS
- Connection Type: Female
- Thread Types: UNF
- Other Features: Nut/Plug



PART NUMBER	F (Thread)	L	S	Hex
-	UNF	mm	-	-
DAOF31000-0400	9/16"-18	14.80	17 mm	Metric
DAOF31000-0400IN	9/16"-18	14.80	11/16"	Imperial
DAOF31000-0600	11/16"-16	17.02	22 mm	Metric
DAOF31000-0600IN	11/16"-16	17.02	13/16"	Imperial
DAOF31000-0800	13/16"-16	31.00	24 mm	Metric
DAOF31000-0800IN	13/16"-16	31.00	15/16"	Imperial
DAOF31000-1000	1"-14	23.50	30 mm	Metric
DAOF31000-1000IN	1"-14	23.50	1-1/8"	Imperial
DAOF31000-1200	1-3/16"-12	26.01	36 mm	Metric
DAOF31000-1200IN	1-3/16"-12	26.01	1-3/8"	Imperial
DAOF31000-1600	1-7/16"-12	27.80	41 mm	Metric
DAOF31000-1600IN	1-7/16"-12	27.80	1-5/8"	Imperial
DAOF31000-2000	1-11/16"-12	27.81	50 mm	Metric
DAOF31000-2000IN	1-11/16"-12	27.81	1-7/8"	Imperial
DAOF31000-2400	2"-12	27.81	60 mm	Metric
DAOF31000-2400IN	2"-12	27.81	2-1/4"	Imperial
DAOF31000-3200	2-1/2"-12	35.60	73 mm	Metric
DAOF31000-3200IN	2-1/2"-12	35.60	2-7/8"	Imperial



## DAOF11241

Straight Connector Connector ORFS Swivel Female

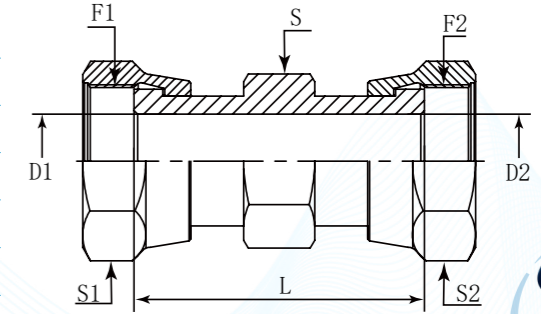
<b>D</b>	<b>A</b>	<b>OF</b>	<b>1</b>	<b>1</b>	<b>241</b>
Company	Product Range	Thread Types	Connection Type	Adaptor Structure	Connection Type
<b>DME</b>	Adaptor	ORFS UNF	Swivel Female	Straight	ORFS Swivel Female

German Technology Equipment

**SHIELD FLEX**

New-Standard

- DME&JDE Code: DAOF11241
- Product Type: Hydraulic adaptor
- Standard: ORFS
- Structure: Straight
- Connection Type: Swivel Female x Swivel Female
- Thread Types: UNF x UNF



PART NUMBER	F1 (Thread)	F2 (Thread)	D1	D2	L	S	S1	S2	Hex
#	UNF	UNF	mm	mm	mm	-	-	-	-
DAOF11241-0404	9/16"-18	9/16"-18	4.19	4.19	40.00	17 mm	17 mm	17 mm	Metric
DAOF11241-0404IN	9/16"-18	9/16"-18	4.19	4.19	40.00	5/8"	11/16"	11/16"	Imperial
DAOF11241-0606	11/16"-16	11/16"-16	6.71	6.71	46.00	19 mm	22 mm	22 mm	Metric
DAOF11241-0606IN	11/16"-16	11/16"-16	6.71	6.71	46.00	3/4"	13/16"	13/16"	Imperial
DAOF11241-0808	13/16"-16	13/16"-16	9.09	9.09	53.80	22 mm	24 mm	24 mm	Metric
DAOF11241-0808IN	13/16"-16	13/16"-16	9.09	9.09	53.80	7/8"	15/16"	15/16"	Imperial
DAOF11241-1010	1"-14	1"-14	11.51	11.51	61.00	27 mm	30 mm	30 mm	Metric
DAOF11241-1010IN	1"-14	1"-14	11.51	11.51	61.00	1-1/16"	1-1/8"	1-1/8"	Imperial
DAOF11241-1212	1-3/16"-12	1-3/16"-12	13.89	13.89	68.00	32 mm	36 mm	36 mm	Metric
DAOF11241-1212IN	1-3/16"-12	1-3/16"-12	13.89	13.89	68.00	1-1/4"	1-3/8"	1-3/8"	Imperial
DAOF11241-1616	1-7/16"-12	1-7/16"-12	19.90	19.90	70.00	36 mm	41 mm	41 mm	Metric
DAOF11241-1616IN	1-7/16"-12	1-7/16"-12	19.90	19.90	70.00	1-3/8"	1-1/2"	1-1/2"	Imperial
DAOF11241-2020	1-11/16"-12	1-11/16"-12	26.01	26.01	76.00	46 mm	50 mm	50 mm	Metric
DAOF11241-2020IN	1-11/16"-12	1-11/16"-12	26.01	26.01	76.00	1-3/4"	1-7/8"	1-7/8"	Imperial
DAOF11241-2424	2"-12	2"-12	32.00	32.00	80.00	55 mm	60 mm	60 mm	Metric
DAOF11241-2424IN	2"-12	2"-12	32.00	32.00	80.00	2-1/8"	2-1/4"	2-1/4"	Imperial





## DAOF1128F

Straight Connector ORFS Swivel Female - NPTF Fixed Male

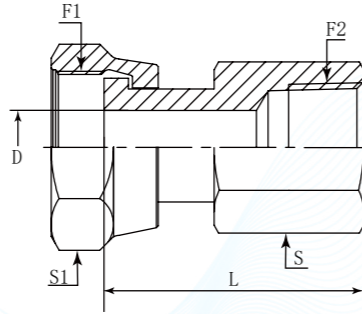
<b>D</b>	<b>A</b>	<b>OF</b>	<b>1</b>	<b>1</b>	<b>05</b>	<b>M</b>
Company	Product Range	Thread Types	Connection Type	Adaptor Structure	Thread Types	Connection Type
<b>DME</b>	Adaptor	ORFS UNF	Swivel Female	Straight	BSP	Male

German Technology Equipment

**SHIELD FLEX**

New-Standard

- DME&JDE Code: **DAOF1128F**
- Product Type: **Hydraulic adaptor**
- Standard: **ORFS**
- Structure: **Straight**
- Connection Type: **Swivel Female x Fixed Male**
- Thread Types: **UNF x NPTF**



PART NUMBER	F1 (Thread)	F2 (Thread)	C	D	L	S	Hex
#	UNF	NPTF	mm	mm	mm	-	-
DAOF1128F-0404	9/16"-18	1/4"-18	4.19	41.70	19 mm	17 mm	Metric
DAOF1128F-0404IN	9/16"-18	1/4"-18	4.19	41.70	3/4"	11/16"	Imperial
DAOF1128F-0606	11/16"-16	3/8"-18	6.71	42.00	22 mm	22 mm	Metric
DAOF1128F-0606IN	11/16"-16	3/8"-18	6.71	42.00	7/8"	13/16"	Imperial
DAOF1128F-1212	1-3/16"-12	3/4"-14	13.89	28.45	36 mm	36 mm	Metric
DAOF1128F-1212IN	1-3/16"-12	3/4"-14	13.89	28.45	1-3/8"	1-3/8"	Imperial
DAOF1128F-1616	1-7/16"-12	1"-11-1/2	19.89	65.00	41 mm	41 mm	Metric
DAOF1128F-1616IN	1-7/16"-12	1"-11-1/2	19.89	65.00	1-1/2"	1-1/2"	Imperial
DAOF1128F-2020	1-11/16"-12	1-1/4"-11-1/2	26.01	66.80	50 mm	50 mm	Metric
DAOF1128F-2020IN	1-11/16"-12	1-1/4"-11-1/2	26.01	66.80	2"	1-7/8"	Imperial
DAOF1128F-2424	2"-12	1-1/2"-11-1/2	32.00	67.00	60 mm	60 mm	Metric
DAOF1128F-2424IN	2"-12	1-1/2"-11-1/2	32.00	67.00	2-1/2"	2-1/4"	Imperial

## DAOF5124T

Straight Connector Bulkhead ORFS Male - ORFS Male

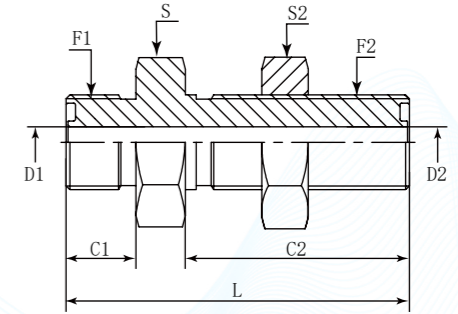
<b>D</b>	<b>A</b>	<b>OF</b>	<b>5</b>	<b>1</b>	<b>24</b>	<b>T</b>
Company	Product Range	Thread Types	Connection Type	Adaptor Structure	Thread Types	Connection Type
<b>DME</b>	Adaptor	ORFS UNF	Male	Straight	ORFS UNF	Male Bulkhead

German Technology Equipment

**SHIELD FLEX**

New-Standard

- DME&JDE Code: **DAOF5124T**
- Product Type: **Hydraulic adaptor**
- Standard: **ORFS**
- Structure: **Straight**
- Connection Type: **Male x Male**
- Thread Types: **UNF x UNF**
- Other Features: **Bulkhead**



PART NUMBER	F1 (Thread)	F2 (Thread)	C1	C2	D1	D2	L	S	S2	Hex
#	UNF	UNF	mm	mm	mm	mm	mm	-	-	-
DAOF5124T-0404	9/16"-18	9/16"-18	9.80	31.50	4.37	4.37	48.26	22 mm	22 mm	Metric
DAOF5124T-0404IN	9/16"-18	9/16"-18	9.80	31.50	4.37	4.37	48.26	13/16"	13/16"	Imperial
DAOF5124T-0606	11/16"-16	11/16"-16	11.00	34.00	6.50	6.50	53.10	27 mm	27 mm	Metric
DAOF5124T-0608	11/16"-16	13/16"-16	11.20	36.58	6.71	9.60	56.82	27 mm	30 mm	Metric
DAOF5124T-0606IN	11/16"-16	11/16"-16	11.00	34.00	6.50	6.50	53.10	1"	1"	Imperial
DAOF5124T-0608IN	11/16"-16	13/16"-16	11.20	36.58	6.71	9.60	56.82	1-1/8"	1-1/8"	Imperial
DAOF5124T-0806	13/16"-16	11/16"-16	13.00	34.00	9.50	6.50	55.50	30 mm	27 mm	Metric
DAOF5124T-0808	13/16"-16	13/16"-16	12.80	36.50	9.60	9.60	58.40	30 mm	30 mm	Metric
DAOF5124T-0806IN	13/16"-16	11/16"-16	13.00	34.00	9.50	6.50	55.50	1"	1"	Imperial
DAOF5124T-0808IN	13/16"-16	13/16"-16	12.80	36.50	9.60	9.60	58.40	1-1/8"	1-1/8"	Imperial
DAOF5124T-1010	1"-14	1"-14	15.49	40.64	12.29	12.29	66.55	36 mm	36 mm	Metric
DAOF5124T-1010IN	1"-14	1"-14	15.49	40.64	12.29	12.29	66.55	1-5/16"	1-5/16"	Imperial
DAOF5124T-1212	1-3/16"-12	1-3/16"-12	17.02	41.66	15.47	15.47	69.09	41 mm	41 mm	Metric
DAOF5124T-1212IN	1-3/16"-12	1-3/16"-12	17.02	41.66	15.47	15.47	69.09	1-1/2"	1-1/2"	Imperial
DAOF5124T-1616	1-7/16"-12	1-7/16"-12	17.50	42.16	20.60	20.60	70.10	46 mm	46 mm	Metric
DAOF5124T-1616IN	1-7/16"-12	1-7/16"-12	17.50	42.16	20.60	20.60	70.10	1-3/4"	1-3/4"	Imperial
DAOF5124T-2020	1-11/16"-12	1-11/16"-12	17.50	42.16	26.00	26.00	70.10	50 mm	50 mm	Metric
DAOF5124T-2020IN	1-11/16"-12	1-11/16"-12	17.50	42.16	26.00	26.00	70.10	2"	2"	Imperial
DAOF5124T-2424	2"-12	2"-12	17.50	42.16	32.00	32.00	70.10	60 mm	60 mm	Metric
DAOF5124T-2424IN	2"-12	2"-12	17.50	42.16	32.00	32.00	70.10	2-3/8"	2-3/8"	Imperial

## DAOFT1305

Straight Connector Bulkhead ORFS Male - SAE Male O Ring

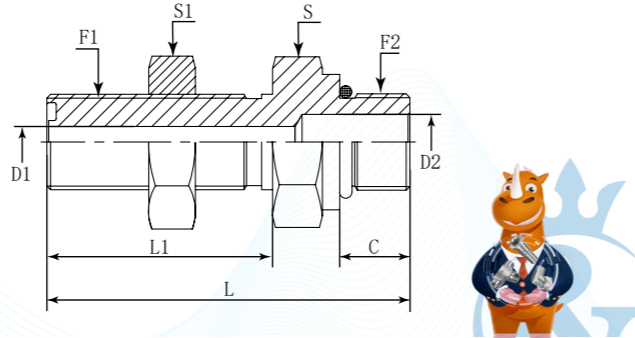
<b>D</b>	<b>A</b>	<b>OF</b>	<b>T</b>	<b>1</b>	<b>30</b>	<b>M</b>
Company	Product Range	Thread Types	Connection Type	Adaptor Structure	Thread Types	Connection Type
<b>DME</b>	Adaptor	ORFS UNF	Bulkhead Male	Straight	SAE UNF	Male O Ring

German Technology Equipment

**SHIELD FLEX**

New-Standard

- DME&JDE Code: **DAOFT1305**
- Product Type: **Hydraulic adaptor**
- Standard: **ORFS**
- Structure: **Straight**
- Connection Type: **Male x Male**
- Thread Types: **ORFS UNF x SAE UNF + O Ring**
- Sealing Method: **O Ring**
- Other Features: **Bulkhead**



PART NUMBER	F1 (Thread)	F2 (Thread)	C	D1	D2	L1	L	S	S1	Hex
#	UNF	UNF	mm	mm	mm	mm	mm	-	-	-
DAOFT1305-0404	9/16"-18	7/16"-20	11.00	4.37	4.37	31.50	53.50	22 mm	22 mm	Metric
DAOFT1305-0404IN	9/16"-18	7/16"-20	11.00	4.37	4.37	31.50	53.50	13/16"	13/16"	Imperial
DAOFT1305-0604	11/16"-16	7/16"-20	11.00	6.71	6.71	34.04	57.50	27 mm	27 mm	Metric
DAOFT1305-0606	11/16"-16	9/16"-18	11.99	6.71	6.71	34.04	58.70	27 mm	27 mm	Metric
DAOFT1305-0604IN	11/16"-16	7/16"-20	11.00	6.71	6.71	34.04	57.50	1"	1"	Imperial
DAOFT1305-0606IN	11/16"-16	9/16"-18	11.99	6.71	6.71	34.04	58.70	1"	1"	Imperial
DAOFT1305-0808IN	11/16"-16	3/4"-16	14.00	9.60	9.60	36.58	69.50	1-1/8"	1-1/8"	Imperial
DAOFT1305-1008	1"-14	3/4"-16	14.00	12.29	9.60	40.64	72.50	36 mm	36 mm	Metric
DAOFT1305-1010	1"-14	7/8"-14	16.00	12.29	12.29	40.64	74.50	36 mm	36 mm	Metric
DAOFT1305-1008IN	1"-14	3/4"-16	14.00	12.29	9.60	40.64	72.50	1-5/16"	1-5/16"	Imperial
DAOFT1305-1010IN	1"-14	7/8"-14	16.00	12.29	12.29	40.64	74.50	1-5/16"	1-5/16"	Imperial
DAOFT1305-1212	1-3/16"-12	1-1/16"-12	18.50	15.47	15.47	41.66	80.00	41 mm	41 mm	Metric
DAOFT1305-1212IN	1-3/16"-12	1-1/16"-12	18.50	15.47	15.47	41.66	80.00	1-1/2"	1-1/2"	Imperial
DAOFT1305-1616	1-7/16"-12	1-5/16"-12	18.50	20.60	20.60	42.16	18.50	46 mm	46 mm	Metric
DAOFT1305-1616IN	1-7/16"-12	1-5/16"-12	18.50	20.60	20.60	42.16	18.50	1-3/4"	1-3/4"	Imperial

## DAOFT1061

Straight Connector Bulkhead ORFS Male - BSPP 60° Male 60° with ED Ring

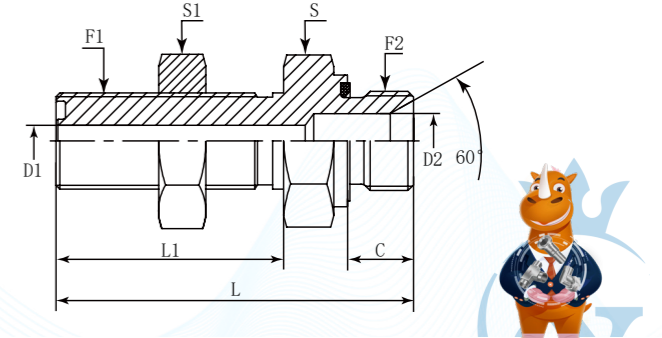
<b>D</b>	<b>A</b>	<b>OF</b>	<b>T</b>	<b>1</b>	<b>06</b>	<b>061</b>
Company	Product Range	Thread Types	Connection Type	Adaptor Structure	Thread Types	Connection Type
<b>DME</b>	Adaptor	ORFS UNF	Bulkhead Male	Straight	BSPP	BSPP Male with ED Ring

German Technology Equipment

**SHIELD FLEX**

New-Standard

- DME&JDE Code: **DAOFT1061**
- Product Type: **Hydraulic adaptor**
- Standard: **ORFS**
- Structure: **Straight**
- Connection Type: **Male x Male**
- Thread Types: **UNF x BSPP 60°**
- Other Features: **Bulkhead**
- Sealing Method: **ED Ring**



PART NUMBER	F1 (Thread)	F2 (Thread)	C	D1	D2	L1	L	S	S1
#	UNF	BSPP	mm	mm	mm	mm	mm	mm	mm
DAOFT1061-0406	9/16"-18	3/8"-19	12.00	4.50	8.00	31.50	54.00	22.00	22.00
DAOFT1061-0606	11/16"-18	3/8"-19	12.00	6.50	8.00	34.00	57.50	27.00	27.00
DAOFT1061-0806	13/16"-16	3/8"-19	12.00	9.50	8.00	36.50	62.50	30.00	30.00
DAOFT1061-1212	1-3/16"-12	3/4"-14	16.00	15.50	15.50	41.70	71.00	41.00	41.00
DAOFT1061-1616	1-7/16"-12	1"-11	18.00	20.00	20.00	42.20	75.50	46.00	46.00



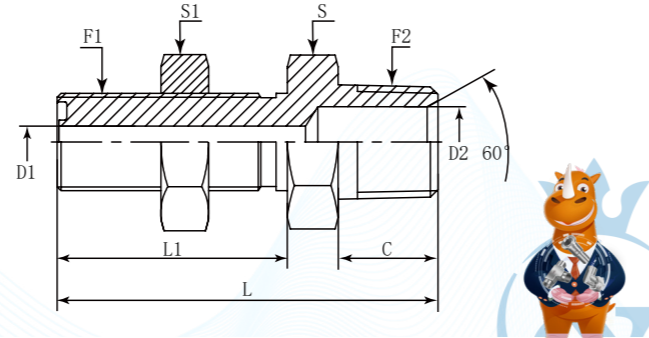
## DAOFT128M

Straight Connector Bulkhead ORFS Male - NPTF Male 60°

<b>D</b>	<b>A</b>	<b>OF</b>	<b>T</b>	<b>1</b>	<b>28</b>	<b>M</b>
Company	Product Range	Thread Types	Connection Type	Adaptor Structure	Thread Types	Connection Type
<b>DME</b>	Adaptor	ORFS UNF	Bulkhead Male	Straight	NPTF	Male



- DME&JDE Code:** DAOFT128M
- Product Type:** Hydraulic adaptor
- Standard:** ORFS
- Structure:** Straight
- Connection Type:** Male x Male
- Thread Types:** UNF x NPTF 60°
- Other Features:** Bulkhead



PART NUMBER	F1 (Thread)	F2 (Thread)	C	D1	D2	L1	L	S	S1	Hex
#	UNF	NPTF	mm	mm	mm	mm	mm	-	-	-
DAOFT128M-0404	9/16"-18	1/4"-18	14.22	4.37	7.14	31.50	53.00	22 mm	22 mm	Metric
DAOFT128M-0404IN	9/16"-18	1/4"-18	14.22	4.37	7.14	31.50	53.00	13/16"	13/16"	Imperial
DAOFT128M-0606	11/16"-16	3/8"-18	14.22	6.71	10.31	34.04	56.10	27 mm	27 mm	Metric
DAOFT128M-0606IN	11/16"-16	3/8"-18	14.22	6.71	10.31	34.04	56.10	1"	1"	Imperial
DAOFT128M-0808	13/16"-16	1/2"-14	19.05	9.60	13.49	36.58	65.00	30 mm	30 mm	Metric
DAOFT128M-0808IN	13/16"-16	1/2"-14	19.05	9.60	13.49	36.58	65.00	1-1/8"	1-1/8"	Imperial
DAOFT128M-1212	1-3/16"-12	3/4"-14	19.05	15.47	18.26	41.66	71.10	41 mm	41 mm	Metric
DAOFT128M-1212IN	1-3/16"-12	3/4"-14	19.05	15.47	18.26	41.66	71.10	1-1/2"	1-1/2"	Imperial
DAOFT128M-1616	1-7/16"-12	1"-11-1/2	23.88	20.60	20.60	42.16	76.50	46 mm	46 mm	Metric
DAOFT128M-1616IN	1-7/16"-12	1"-11-1/2	23.88	20.60	20.60	42.16	76.50	1-3/4"	1-3/4"	Imperial

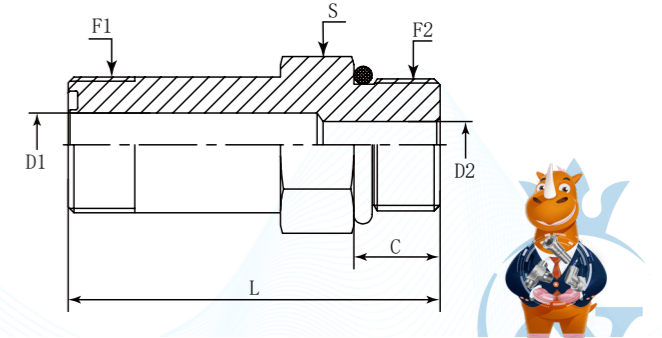
## DAOF5130J

Straight Long Connector ORFS Male - SAE Male + O Ring

<b>D</b>	<b>A</b>	<b>OF</b>	<b>5</b>	<b>1</b>	<b>30</b>	<b>J</b>
Company	Product Range	Thread Types	Connection Type	Adaptor Structure	Thread Types	Connection Type
<b>DME</b>	Adaptor	ORFS UNF	Male	Straight	SAE UNF	Male + Long O Ring



- DME&JDE Code:** DAOF5130J
- Product Type:** Hydraulic adaptor
- Standard:** ORFS
- Structure:** Straight
- Connection Type:** Male x Male
- Thread Types:** ORFS UNF x SAE UNF + O Ring
- Sealing Method:** Long O Ring



PART NUMBER	F1 (Thread)	F2 (Thread)	C	D1	D2	L	S	Hex
#	UNF	UNF	mm	mm	mm	mm	-	-
DAOF5130J-0404	9/16"-18	7/16"-20	11.00	4.50	4.50	52.58	17 mm	Metric
DAOF5130J-0404IN	9/16"-18	7/16"-20	11.00	4.50	4.50	52.58	5/8"	Imperial
DAOF5130J-0606	11/16"-16	9/16"-18	11.99	6.71	6.71	63.00	19 mm	Metric
DAOF5130J-0608	11/16"-16	3/4"-16	14.00	6.71	9.60	66.30	22 mm	Metric
DAOF5130J-0606IN	11/16"-16	9/16"-18	11.99	6.71	6.71	63.00	3/4"	Imperial
DAOF5130J-0608IN	11/16"-16	3/4"-16	14.00	6.71	9.60	66.30	7/8"	Imperial
DAOF5130J-0808	13/16"-16	3/4"-16	14.00	9.60	9.60	67.80	22 mm	Metric
DAOF5130J-0808IN	13/16"-16	3/4"-16	14.00	9.60	9.60	67.80	7/8"	Imperial
DAOF5130J-1008	1"-14	3/4"-16	14.00	12.29	10.00	75.00	27 mm	Metric
DAOF5130J-1010	1"-14	7/8"-14	16.00	12.29	12.29	79.50	27 mm	Metric
DAOF5130J-1008IN	1"-14	3/4"-16	14.00	12.29	10.00	75.00	1-1/16"	Imperial
DAOF5130J-1010IN	1"-14	7/8"-14	16.00	12.29	12.29	79.50	1-1/16"	Imperial
DAOF5130J-1210	1-3/16"-12	7/8"-14	16.00	15.47	12.29	92.96	32 mm	Metric
DAOF5130J-1212	1-3/16"-12	1-1/16"-12	18.49	15.47	15.47	95.50	32 mm	Metric
DAOF5130J-1210IN	1-3/16"-12	7/8"-14	16.00	15.47	12.29	92.96	1-1/4"	Imperial
DAOF5130J-1212IN	1-3/16"-12	1-1/16"-12	18.49	15.47	15.47	95.50	1-1/4"	Imperial
DAOF5130J-1612	1-7/16"-12	1-1/16"-12	18.49	20.60	15.47	105.10	41 mm	Metric
DAOF5130J-1616	1-7/16"-12	1-5/16"-12	18.49	20.60	20.60	105.10	41 mm	Metric
DAOF5130J-1612IN	1-7/16"-12	1-1/16"-12	18.49	20.60	15.47	105.10	1-1/2"	Imperial
DAOF5130J-1616IN	1-7/16"-12	1-5/16"-12	18.49	20.60	20.60	105.10	1-1/2"	Imperial
DAOF5130J-2020	1-11/16"-12	1-5/8"-12	18.49	26.00	26.00	120.85	50 mm	Metric
DAOF5130J-2020IN	1-11/16"-12	1-5/8"-12	18.49	26.00	26.00	120.85	1-7/8"	Imperial
DAOF5130J-2424	2"-12	1-7/8"-12	18.50	32.00	32.00	133.50	55 mm	Metric
DAOF5130J-2424IN	2"-12	1-7/8"-12	18.50	32.00	32.00	133.50	2-1/8"	Imperial



# DAOFLN

## ORFS Bulkhead Nut

- D** Company: DME
- A** Product Range: Adaptor
- OF** Thread Types: ORFS UNF
- LN** Other Features: Bulkhead Nut



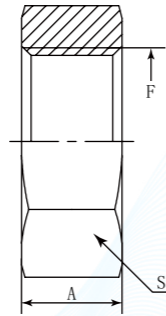
DME&JDE Code: DAOFLN

Product Type: Hydraulic adaptor

Adaptor Standard: ORFS

Thread types: UNF

Other Features: Bulkhead



PART NUMBER	F (Thread)	A	S	Hex
#	UNF	mm	-	-
DAOFLN-0400	9/16"-18	6.90	22 mm	Metric
DAOFLN-0400IN	9/16"-18	6.90	13/16"	Imperial
DAOFLN-0600	11/16"-16	8.00	27 mm	Metric
DAOFLN-0600IN	11/16"-16	8.00	1"	Imperial
DAOFLN-0800	13/16"-16	8.90	30 mm	Metric
DAOFLN-0800IN	13/16"-16	8.90	1-3/16"	Imperial
DAOFLN-1000	1"-14	10.40	36 mm	Metric
DAOFLN-1000IN	1"-14	10.40	1-5/16"	Imperial
DAOFLN-1200	1-3/16"-12	10.40	41 mm	Metric
DAOFLN-1200IN	1-3/16"-12	10.40	1-1/2"	Imperial
DAOFLN-1600	1-7/16"-12	10.40	46 mm	Metric
DAOFLN-1600IN	1-7/16"-12	10.40	1-3/4"	Imperial
DAOFLN-2000	1-11/16"-12	10.40	50 mm	Metric
DAOFLN-2000IN	1-11/16"-12	10.40	2"	Imperial
DAOFLN-2400	2"-12	10.40	60 mm	Metric
DAOFLN-2400IN	2"-12	10.40	2-3/8"	Imperial

# DAOF54245

## 45° Adjustable Elbow ORFS Male – ORFS Male

- D** Company: DME
- A** Product Range: Adaptor
- OF** Thread Types: ORFS UNF
- 5** Connection Type: Male
- 4** Adaptor Structure: 45° Elbow
- 24** Thread Types: ORFS UNF
- 5** Connection Type: Male



DME&JDE Code: DAOF54245

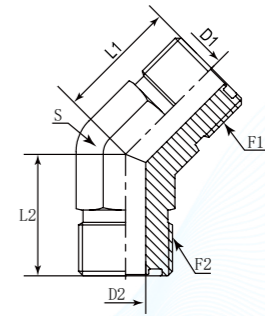
Product Type: Hydraulic adaptor

Standard: ORFS

Structure: 45° Elbow

Connection Type: Adjustable Male x Male

Thread Types: UNF x UNF



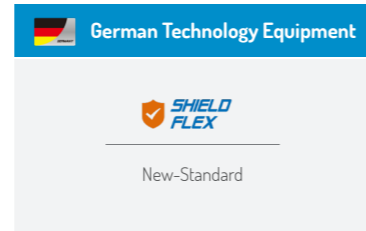
PART NUMBER	F1 (Thread)	F2 (Thread)	D1	D2	L1	L2	S	Hex
#	UNF	UNF	mm	mm	mm	mm	-	-
DAOF54245-0404	9/16"-18	9/16"-18	4.37	4.37	18.00	18.00	14 mm	Metric
DAOF54245-0404IN	9/16"-18	9/16"-18	4.37	4.37	18.00	18.00	9/16"	Imperial
DAOF54245-0604	11/16"-16	9/16"-18	6.71	4.37	19.50	19.00	19 mm	Metric
DAOF54245-0606	11/16"-16	11/16"-16	6.71	6.71	19.50	19.50	19 mm	Metric
DAOF54245-0604IN	11/16"-16	9/16"-18	6.71	4.37	19.50	19.00	3/4"	Imperial
DAOF54245-0606IN	11/16"-16	11/16"-16	6.71	6.71	19.50	19.50	3/4"	Imperial
DAOF54245-0806	13/16"-16	11/16"-16	9.60	6.71	20.30	20.00	19 mm	Metric
DAOF54245-0808	13/16"-16	13/16"-16	9.60	9.60	20.30	20.30	19 mm	Metric
DAOF54245-0806IN	13/16"-16	11/16"-16	9.60	6.71	20.30	20.00	3/4"	Imperial
DAOF54245-0808IN	13/16"-16	13/16"-16	9.60	9.60	20.30	20.30	3/4"	Imperial
DAOF54245-1008	1"-14	13/16"-16	12.29	9.60	25.00	25.00	27 mm	Metric
DAOF54245-1010	1"-14	1"-14	12.29	12.29	25.00	25.00	27 mm	Metric
DAOF54245-1008IN	1"-14	13/16"-16	12.29	9.60	25.00	25.00	1-1/8"	Imperial
DAOF54245-1010IN	1"-14	1"-14	12.29	12.29	25.00	25.00	1-1/8"	Imperial
DAOF54245-1208	1-3/16"-12	13/16"-16	15.47	9.60	25.90	25.90	30 mm	Metric
DAOF54245-1212	1-3/16"-12	1-3/16"-12	15.47	15.47	25.90	25.90	30 mm	Metric
DAOF54245-1208IN	1-3/16"-12	13/16"-16	15.47	9.60	25.90	25.90	1-3/16"	Imperial
DAOF54245-1212IN	1-3/16"-12	1-3/16"-12	15.47	15.47	25.90	25.90	1-3/16"	Imperial
DAOF54245-1612	1-7/16"-12	1-3/16"-12	20.60	15.47	30.00	30.00	36 mm	Metric
DAOF54245-1616	1-7/16"-12	1-7/16"-12	20.60	20.60	30.00	30.00	36 mm	Metric
DAOF54245-1612IN	1-7/16"-12	1-3/16"-12	20.60	15.47	30.00	30.00	1-3/8"	Imperial
DAOF54245-1616IN	1-7/16"-12	1-7/16"-12	20.60	20.60	30.00	30.00	1-3/8"	Imperial
DAOF54245-2016	1-11/16"-12	1-7/16"-12	26.00	20.60	32.00	32.00	41 mm	Metric
DAOF54245-2020	1-11/16"-12	1-11/16"-12	26.00	26.00	32.00	32.00	41 mm	Metric
DAOF54245-2016IN	1-11/16"-12	1-7/16"-12	26.00	20.60	32.00	32.00	1-1/2"	Imperial
DAOF54245-2020IN	1-11/16"-12	1-11/16"-12	26.00	26.00	32.00	32.00	1-1/2"	Imperial



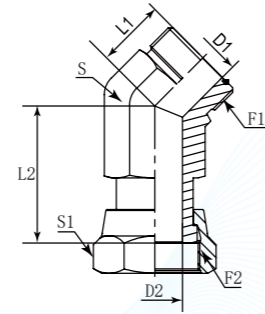
## DAOF54241

45° Elbow Connector ORFS Male - ORFS Swivel Female

<b>D</b>	<b>A</b>	<b>OF</b>	<b>5</b>	<b>4</b>	<b>241</b>
Company	Product Range	Thread Types	Connection Type	Adaptor Structure	Connection Type
<b>DME</b>	Adaptor	ORFS UNF	Male	45° Elbow	ORFS Swivel Female



<b>DME&amp;JDE Code:</b>	<b>DAOF54241</b>
<b>Product Type</b>	<b>Hydraulic adaptor</b>
<b>Standard:</b>	<b>ORFS</b>
<b>Structure:</b>	<b>45° Elbow</b>
<b>Connection Type:</b>	<b>Male x Swivel Female</b>
<b>Thread Types:</b>	<b>UNF x UNF</b>



PART NUMBER	F1 (Thread)	F2 (Thread)	L1	L2	D1	D2	S	S1	Hex
#	UNF	UNF	mm	mm	mm	mm	-	-	-
DAOF54241-0404	9/16"-18	9/16"-18	16.00	25.15	4.37	4.19	14 mm	17 mm	Metric
DAOF54241-0404IN	9/16"-18	9/16"-18	16.00	25.15	4.37	4.19	9/16"	11/16"	Imperial
DAOF54241-0606	11/16"-16	11/16"-16	19.00	28.50	6.71	6.71	19 mm	22 mm	Metric
DAOF54241-0606IN	11/16"-16	11/16"-16	19.00	28.50	6.71	6.71	3/4"	13/16"	Imperial
DAOF54241-0808	13/16"-16	13/16"-16	20.50	33.52	9.60	9.09	19 mm	24 mm	Metric
DAOF54241-0808IN	13/16"-16	13/16"-16	20.50	33.52	9.60	9.09	3/4"	15/16"	Imperial
DAOF54241-1010	1"-14	1"-14	23.50	36.58	12.29	11.51	27 mm	30 mm	Metric
DAOF54241-1010IN	1"-14	1"-14	23.50	36.58	12.29	11.51	1-1/16"	1-1/8"	Imperial
DAOF54241-1212	1-3/16"-12	1-3/16"-12	26.00	39.00	15.47	13.89	30 mm	36 mm	Metric
DAOF54241-1212IN	1-3/16"-12	1-3/16"-12	26.00	39.00	15.47	13.89	1-3/16"	1-3/8"	Imperial
DAOF54241-1616	1-7/16"-12	1-7/16"-12	30.00	47.50	20.50	20.00	36 mm	41 mm	Metric
DAOF54241-1616IN	1-7/16"-12	1-7/16"-12	30.00	47.50	20.50	20.00	1-7/16"	1-5/8"	Imperial
DAOF54241-2020	1-11/16"-12	1-11/16"-12	32.00	50.30	26.00	26.00	41 mm	50 mm	Metric
DAOF54241-2020IN	1-11/16"-12	1-11/16"-12	32.00	50.30	26.00	26.00	1-5/8"	1-7/8"	Imperial
DAOF54241-2424	2"-12	2"-12	36.80	52.30	32.00	32.00	50 mm	60 mm	Metric
DAOF54241-2424IN	2"-12	2"-12	36.80	52.30	32.00	32.00	1-7/8"	2-1/4"	Imperial



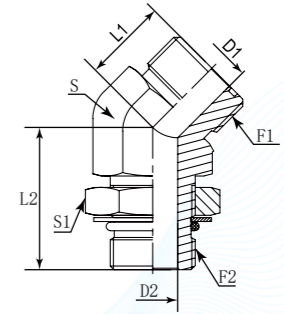
## DAOF54305

45° Adjustable Elbow ORFS Male - SAE Male O Ring

<b>D</b>	<b>A</b>	<b>OF</b>	<b>5</b>	<b>4</b>	<b>30</b>	<b>5</b>
Company	Product Range	Thread Types	Connection Type	Adaptor Structure	Thread Types	Connection Type
<b>DME</b>	Adaptor	ORFS UNF	Male	45° Elbow	SAE UNF	Male O Ring



<b>DME&amp;JDE Code:</b>	<b>DAOF54305</b>
<b>Product Type</b>	<b>Hydraulic adaptor</b>
<b>Standard:</b>	<b>ORFS</b>
<b>Structure:</b>	<b>45° Elbow</b>
<b>Connection Type:</b>	<b>Adjustable Male x Male</b>
<b>Thread Types:</b>	<b>ORFS UNF x SAE UNF + O Ring</b>
<b>Sealing Method:</b>	<b>O Ring</b>



PART NUMBER	F1 (Thread)	F2 (Thread)	L1	L2	D1	D2	S	S1	Hex
#	UNF	UNF	mm	mm	mm	mm	-	-	-
DAOF54305-0404	9/16"-18	7/16"-20	16.00	30.00	4.37	4.37	14 mm	17 mm	Metric
DAOF54305-0406	9/16"-18	9/16"-18	17.30	33.00	4.37	6.71	19 mm	19 mm	Metric
DAOF54305-0408	9/16"-18	3/4"-16	17.30	36.30	4.37	9.60	19 mm	24 mm	Metric
DAOF54305-0404IN	9/16"-18	7/16"-20	16.00	30.00	4.37	4.37	9/16"	5/8"	Imperial
DAOF54305-0406IN	9/16"-18	9/16"-18	17.30	33.00	4.37	6.71	3/4"	3/4"	Imperial
DAOF54305-0408IN	9/16"-18	3/4"-16	17.30	36.30	4.37	9.60	3/4"	15/16"	Imperial
DAOF54305-0604	11/16"-16	7/16"-20	18.80	31.00	6.71	4.37	19 mm	17 mm	Metric
DAOF54305-0606	11/16"-16	9/16"-18	18.80	33.00	6.71	6.71	19 mm	19 mm	Metric
DAOF54305-0608	11/16"-16	3/4"-16	18.80	36.30	6.71	9.60	19 mm	24 mm	Metric
DAOF54305-0610	11/16"-16	7/8"-14	20.00	44.70	6.71	12.29	27 mm	27 mm	Metric
DAOF54305-0612	11/16"-16	1-1/16"-12	20.00	50.00	6.71	15.47	27 mm	36 mm	Metric
DAOF54305-0604IN	11/16"-16	7/16"-20	18.80	31.00	6.71	4.37	3/4"	5/8"	Imperial
DAOF54305-0606IN	11/16"-16	9/16"-18	18.80	33.00	6.71	6.71	3/4"	3/4"	Imperial
DAOF54305-0608IN	11/16"-16	3/4"-16	18.80	36.30	6.71	9.60	3/4"	15/16"	Imperial
DAOF54305-0610IN	11/16"-16	7/8"-14	20.00	44.70	6.71	12.29	1-1/16"	1-1/16"	Imperial
DAOF54305-0612IN	11/16"-16	1-1/16"-12	20.00	50.00	6.71	15.47	1-1/16"	1-3/8"	Imperial
DAOF54305-0806	13/16"-16	9/16"-18	20.30	32.30	9.60	6.71	19 mm	19 mm	Metric
DAOF54305-0808	13/16"-16	3/4"-16	20.30	36.30	9.50	10.00	19 mm	24 mm	Metric



DAOF54305-0810	13/16"-16	7/8"-14	20.80	44.70	9.60	12.29	27 mm	27 mm	Metric
DAOF54305-0812	13/16"-16	1-1/16"-12	22.50	50.00	9.60	15.50	30 mm	36 mm	Metric
DAOF54305-0806IN	13/16"-16	9/16"-18	20.30	32.30	9.60	6.71	3/4"	3/4"	Imperial
DAOF54305-0808IN	13/16"-16	3/4"-16	20.30	36.30	9.50	10.00	3/4"	15/16"	Imperial
DAOF54305-0810IN	13/16"-16	7/8"-14	20.80	44.70	9.60	12.29	1-1/16"	1-1/16"	Imperial
DAOF54305-0812IN	13/16"-16	1-1/16"-12	22.50	50.00	9.60	15.50	1-3/16"	1-3/8"	Imperial
DAOF54305-1008	1"-14	3/4"-16	23.50	40.20	12.50	10.00	27 mm	24 mm	Metric
DAOF54305-1010	1"-14	7/8"-14	23.40	44.70	12.29	12.29	27 mm	27 mm	Metric
DAOF54305-1012	1"-14	1-1/16"-12	24.50	50.00	12.50	15.47	30 mm	36 mm	Metric
DAOF54305-1008IN	1"-14	3/4"-16	23.50	40.20	12.50	10.00	1-1/16"	15/16"	Imperial
DAOF54305-1010IN	1"-14	7/8"-14	23.40	44.70	12.29	12.29	1-1/16"	1-1/16"	Imperial
DAOF54305-1012IN	1"-14	1-1/16"-12	24.50	50.00	12.50	15.47	1-3/16"	1-3/8"	Imperial
DAOF54305-1208	1-3/16"-12	3/4"-16	26.00	41.50	15.50	10.00	30 mm	24 mm	Metric
DAOF54305-1210	1-3/16"-12	7/8"-14	25.90	44.70	15.47	12.29	30 mm	27 mm	Metric
DAOF54305-1212	1-3/16"-12	1-1/16"-12	25.90	50.00	15.47	15.47	30 mm	36 mm	Metric
DAOF54305-1216	1-3/16"-12	1-5/16"-12	29.50	52.30	15.47	20.60	36 mm	41 mm	Metric
DAOF54305-1208IN	1-3/16"-12	3/4"-16	26.00	41.50	15.50	10.00	1-3/16"	15/16"	Imperial
DAOF54305-1210IN	1-3/16"-12	7/8"-14	25.90	44.70	15.47	12.29	1-3/16"	1-1/16"	Imperial
DAOF54305-1212IN	1-3/16"-12	1-1/16"-12	25.90	50.00	15.47	15.47	1-3/16"	1-3/8"	Imperial
DAOF54305-1216IN	1-3/16"-12	1-5/16"-12	29.50	52.30	15.47	20.60	1-7/16"	1-5/8"	Imperial
DAOF54305-1612	1-7/16"-12	1-1/16"-12	30.00	51.70	20.50	15.47	36 mm	36 mm	Metric
DAOF54305-1616	1-7/16"-12	1-5/16"-12	30.00	52.50	20.50	21.50	36 mm	41 mm	Metric
DAOF54305-1620	1-7/16"-12	1-5/8"-12	32.00	53.60	20.60	26.00	41 mm	50 mm	Metric
DAOF54305-1612IN	1-7/16"-12	1-1/16"-12	30.00	51.70	20.50	15.47	1-7/16"	1-3/8"	Imperial
DAOF54305-1616IN	1-7/16"-12	1-5/16"-12	30.00	52.50	20.50	21.50	1-7/16"	1-5/8"	Imperial
DAOF54305-1620IN	1-7/16"-12	1-5/8"-12	32.00	53.60	20.60	26.00	1-5/8"	1-7/8"	Imperial
DAOF54305-2016	1-11/16"-12	1-5/16"-12	32.00	53.50	26.00	21.50	41 mm	41 mm	Metric
DAOF54305-2020	1-11/16"-12	1-5/8"-12	32.00	53.60	26.00	27.50	41 mm	50 mm	Metric
DAOF54305-2016IN	1-11/16"-12	1-5/16"-12	32.00	53.50	26.00	21.50	1-5/8"	1-5/8"	Imperial
DAOF54305-2020IN	1-11/16"-12	1-5/8"-12	32.00	53.60	26.00	27.50	1-5/8"	1-7/8"	Imperial
DAOF54305-2424	2"-12	1-7/8"-12	36.80	53.60	32.00	32.00	50 mm	55 mm	Metric
DAOF54305-2424IN	2"-12	1-7/8"-12	36.80	53.60	32.00	32.00	1-7/8"	2-1/8"	Imperial

Web: <https://www.dmejde.com>  
E-mail: [info@dmejde.com](mailto:info@dmejde.com)



## DAOF5406Q

45° Adjustable Elbow ORFS Male - BSPP Male + O Ring + Retaining Ring

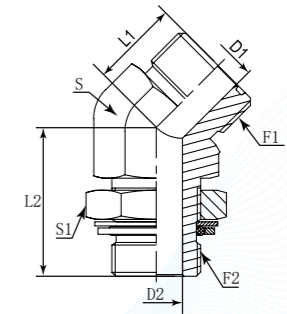
<b>D</b>	<b>A</b>	<b>OF</b>	<b>5</b>	<b>4</b>	<b>06</b>	<b>M</b>
Company	Product Range	Thread Types	Connection Type	Adaptor Structure	Thread Types	Connection Type
<b>DME</b>	Adaptor	ORFS UNF	Male	45° Elbow	BSPP	Male + O Ring + Retaining Ring

German Technology Equipment

**SHIELD FLEX**

New-Standard

- DME&JDE Code:** DAOF5406Q
- Product Type:** Hydraulic adaptor
- Standard:** ORFS
- Structure:** 45° Elbow
- Connection Type:** Adjustable Male x Male
- Thread Types:** UNF x BSPP
- Sealing Method:** O Ring + Retaining Ring



PART NUMBER	F1 (Thread)	F2 (Thread)	L1	L2	D1	D2	S	S1
#	UNF	BSPP	mm	mm	mm	mm	mm	mm
DAOF5406Q-0402	9/16"-18	1/8"-28	16.00	26.50	4.37	4.40	14.00	14.00
DAOF5406Q-0404	9/16"-18	1/4"-19	16.00	29.00	4.37	7.50	14.00	19.00
DAOF5406Q-0406	9/16"-18	3/8"-19	17.30	33.00	4.37	9.90	19.00	22.00
DAOF5406Q-0604	11/16"-16	1/4"-19	18.80	31.00	6.71	7.50	19.00	19.00
DAOF5406Q-0606	11/16"-16	3/8"-19	18.80	33.00	6.71	9.90	19.00	22.00
DAOF5406Q-0608	11/16"-16	1/2"-14	18.80	38.50	6.71	12.30	22.00	27.00
DAOF5406Q-0804	13/16"-16	1/4"-19	20.30	32.30	9.60	7.50	19.00	19.00
DAOF5406Q-0806	13/16"-16	3/8"-19	20.30	33.00	9.60	9.90	19.00	22.00
DAOF5406Q-0808	13/16"-16	1/2"-14	21.50	36.50	9.50	12.30	22.00	27.00
DAOF5406Q-1008	1"-14	1/2"-14	23.40	40.40	12.29	12.30	27.00	27.00
DAOF5406Q-1012	1"-14	3/4"-14	24.40	50.00	12.29	15.50	27.00	36.00
DAOF5406Q-1212	1-3/16"-12	3/4"-14	25.90	50.00	15.47	15.50	30.00	36.00
DAOF5406Q-1216	1-3/16"-12	1"-11	29.50	52.30	15.47	21.50	36.00	41.00
DAOF5406Q-1616	1-7/16"-12	1"-11	30.00	51.80	20.60	20.60	36.00	41.00
DAOF5406Q-1620	1-7/16"-12	1-1/4"-11	32.00	53.50	20.60	26.00	41.00	50.00
DAOF5406Q-2016	1-11/16"-12	1"-11	32.00	53.50	26.00	21.50	41.00	41.00
DAOF5406Q-2020	1-11/16"-12	1-1/4"-11	32.00	53.50	26.00	26.00	41.00	50.00
DAOF5406Q-2024	1-11/16"-12	1-1/2"-11	36.80	53.60	26.00	33.00	48.00	55.00

Web: <https://www.dmejde.com>  
E-mail: [info@dmejde.com](mailto:info@dmejde.com)





## DAOF54065

45° Adjustable Elbow ORFS Male - BSPP Male + O Ring

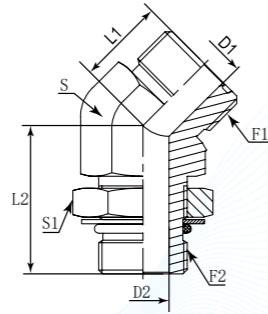
<b>D</b>	<b>A</b>	<b>OF</b>	<b>5</b>	<b>4</b>	<b>06</b>	<b>5</b>
Company	Product Range	Thread Types	Connection Type	Adaptor Structure	Thread Types	Connection Type
<b>DME</b>	Adaptor	ORFS UNF	Male	45° Elbow	BSPP	Male + O Ring

German Technology Equipment

**SHIELD FLEX**

New-Standard

- DME&JDE Code:** DAOF54065
- Product Type:** Hydraulic adaptor
- Standard:** ORFS
- Structure:** 45° Elbow
- Connection Type:** Adjustable Male x Male
- Thread Types:** UNF x BSPP + O Ring
- Sealing Method:** O Ring



PART NUMBER	F1 (Thread)	F2 (Thread)	L1	L2	D1	D2	S	S1
#	UNF	BSPP	mm	mm	mm	mm	mm	mm
DAOF54065-0402	9/16"-18	1/8"-28	16.00	26.50	4.37	4.40	14.00	14.00
DAOF54065-0404	9/16"-18	1/4"-19	16.00	29.00	4.37	7.50	14.00	19.00
DAOF54065-0406	9/16"-18	3/8"-19	17.30	33.00	4.37	9.90	19.00	22.00
DAOF54065-0604	11/16"-16	1/4"-19	18.80	31.00	6.71	7.50	19.00	19.00
DAOF54065-0606	11/16"-16	3/8"-19	18.80	33.00	6.71	9.90	19.00	22.00
DAOF54065-0608	11/16"-16	1/2"-14	18.80	38.50	6.71	12.30	22.00	27.00
DAOF54065-0804	13/16"-16	1/4"-19	20.30	32.30	9.60	7.50	19.00	19.00
DAOF54065-0806	13/16"-16	3/8"-19	20.30	33.00	9.60	9.90	19.00	22.00
DAOF54065-0808	13/16"-16	1/2"-14	21.50	36.50	9.50	12.30	22.00	27.00
DAOF54065-1008	1"-14	1/2"-14	23.40	40.40	12.29	12.30	27.00	27.00
DAOF54065-1012	1"-14	3/4"-14	24.40	50.00	12.29	15.50	27.00	36.00
DAOF54065-1212	1-3/16"-12	3/4"-14	25.90	50.00	15.47	15.50	30.00	36.00
DAOF54065-1216	1-3/16"-12	1"-11	29.50	52.30	15.47	21.50	36.00	41.00
DAOF54065-1616	1-7/16"-12	1"-11	30.00	51.80	20.60	20.60	36.00	41.00
DAOF54065-1620	1-7/16"-12	1-1/4"-11	32.00	53.50	20.60	26.00	41.00	50.00
DAOF54065-2016	1-11/16"-12	1"-11	32.00	53.50	26.00	21.50	41.00	41.00
DAOF54065-2020	1-11/16"-12	1-1/4"-11	32.00	53.50	26.00	26.00	41.00	50.00
DAOF54065-2024	1-11/16"-12	1-1/2"-11	36.80	53.60	26.00	33.00	48.00	55.00

## DAOF5452Q

45° Adjustable Elbow ORFS Male - Metric Male + O Ring + Retaining Ring

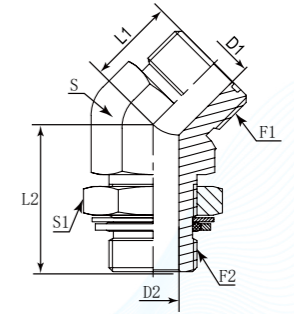
<b>D</b>	<b>A</b>	<b>OF</b>	<b>5</b>	<b>4</b>	<b>52</b>	<b>Q</b>
Company	Product Range	Thread Types	Connection Type	Adaptor Structure	Thread Types	Connection Type
<b>DME</b>	Adaptor	ORFS UNF	Male	45° Elbow	Metric	Male + O Ring + Retaining Ring

German Technology Equipment

**SHIELD FLEX**

New-Standard

- DME&JDE Code:** DAOF5452Q
- Product Type:** Hydraulic adaptor
- Standard:** ORFS
- Structure:** 45° Elbow
- Connection Type:** Adjustable Male x Male
- Thread Types:** UNF x Metric
- Sealing Method:** O Ring + Retaining Ring



PART NUMBER	F1 (Thread)	F2 (Thread)	L1	L2	D1	D2	S	S1
#	UNF	Metric	mm	mm	mm	mm	mm	mm
DAOF5452Q-0412	9/16"-18	M12X1.5	16.00	30.00	4.37	4.37	14.00	17.00
DAOF5452Q-0414	9/16"-18	M14X1.5	18.50	29.50	4.37	6.00	14.00	19.00
DAOF5452Q-0614	11/16"-16	M14X1.5	18.80	31.00	6.71	6.00	19.00	19.00
DAOF5452Q-0616	11/16"-16	M16X1.5	19.00	33.00	6.71	7.00	19.00	22.00
DAOF5452Q-0814	13/16"-16	M14X1.5	20.50	31.00	9.60	6.00	19.00	19.00
DAOF5452Q-0818	13/16"-16	M18X1.5	20.50	36.50	9.60	9.00	19.00	24.00
DAOF5452Q-1022	1"-14	M22X1.5	23.50	45.00	12.29	12.00	27.00	27.00
DAOF5452Q-1227	1-3/16"-12	M27X2	26.00	50.00	15.47	15.00	30.00	32.00
DAOF5452Q-1633	1-7/16"-12	M33X2	30.00	52.50	20.60	20.00	36.00	41.00
DAOF5452Q-2042	1-11/16"-12	M42X2	32.00	53.50	26.00	26.00	41.00	50.00
DAOF5452Q-2448	2"-12	M48X2	37.00	53.50	32.00	32.00	48.00	55.00

Certificate:



## DAOF54525

45° Adjustable Elbow ORFS Male - Metric Male + O Ring

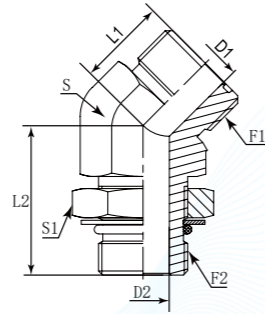
<b>D</b>	<b>A</b>	<b>OF</b>	<b>5</b>	<b>4</b>	<b>52</b>	<b>M</b>
Company	Product Range	Thread Types	Connection Type	Adaptor Structure	Thread Types	Connection Type
<b>DME</b>	Adaptor	ORFS UNF	Male	45° Elbow	Metric	Male + O Ring

German Technology Equipment

**SHIELD FLEX**

New-Standard

- DME&JDE Code: **DAOF54525**
- Product Type: **Hydraulic adaptor**
- Standard: **ORFS**
- Structure: **45° Elbow**
- Connection Type: **Adjustable Male x Male**
- Thread Types: **UNF x Metric 60° + O Ring**
- Sealing Method: **O Ring**



PART NUMBER	F1 (Thread)	F2 (Thread)	L1	L2	D1	D2	S	S1
#	UNF	Metric	mm	mm	mm	mm	mm	mm
DAOF54525-0412	9/16"-18	M12X1.5	16.00	30.00	4.37	4.37	14.00	17.00
DAOF54525-0414	9/16"-18	M14X1.5	18.50	29.50	4.37	6.00	14.00	19.00
DAOF54525-0614	11/16"-16	M14X1.5	18.80	31.00	6.71	6.00	19.00	19.00
DAOF54525-0616	11/16"-16	M16X1.5	19.00	33.00	6.71	7.00	19.00	22.00
DAOF54525-0814	13/16"-16	M14X1.5	20.50	31.00	9.60	6.00	19.00	19.00
DAOF54525-0818	13/16"-16	M18X1.5	20.50	36.50	9.60	9.00	19.00	24.00
DAOF54525-1022	1"-14	M22X1.5	23.50	45.00	12.29	12.00	27.00	27.00
DAOF54525-1227	1-3/16"-12	M27X2	26.00	50.00	15.47	15.00	30.00	32.00
DAOF54525-1633	1-7/16"-12	M33X2	30.00	52.50	20.60	20.00	36.00	41.00
DAOF54525-2042	1-11/16"-12	M42X2	32.00	53.50	26.00	26.00	41.00	50.00
DAOF54525-2448	2"-12	M48X2	37.00	53.50	32.00	32.00	48.00	55.00

## DAOF5428M

45° Elbow Connector ORFS Male - NPTF Male

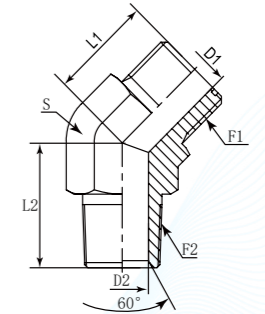
<b>D</b>	<b>A</b>	<b>OF</b>	<b>5</b>	<b>4</b>	<b>28</b>	<b>M</b>
Company	Product Range	Thread Types	Connection Type	Adaptor Structure	Thread Types	Connection Type
<b>DME</b>	Adaptor	ORFS UNF	Male	45° Elbow	NPTF	Male

German Technology Equipment

**SHIELD FLEX**

New-Standard

- DME&JDE Code: **DAOF5428M**
- Product Type: **Hydraulic adaptor**
- Standard: **ORFS**
- Structure: **45° Elbow**
- Connection Type: **Male x Male**
- Thread Types: **UNF x NPTF**



PART NUMBER	F1 (Thread)	F2 (Thread)	L1	L2	D1	D2	S	Hex
#	UNF	NPTF	mm	mm	mm	mm	-	-
DAOF5428M-0402	9/16"-18	1/8"-27	16.00	17.00	4.37	4.78	14 mm	Metric
DAOF5428M-0404	9/16"-18	1/4"-18	16.00	21.80	4.37	7.14	14 mm	Metric
DAOF5428M-0402IN	9/16"-18	1/8"-27	16.00	17.00	4.37	4.78	9/16"	Imperial
DAOF5428M-0404IN	9/16"-18	1/4"-18	16.00	21.80	4.37	7.14	9/16"	Imperial
DAOF5428M-0604	11/16"-16	1/4"-18	18.80	21.80	6.71	7.14	19 mm	Metric
DAOF5428M-0606	11/16"-16	3/8"-18	18.80	24.10	6.71	10.31	19 mm	Metric
DAOF5428M-0608	11/16"-16	1/2"-14	20.00	29.70	6.71	13.49	22 mm	Metric
DAOF5428M-0604IN	11/16"-16	1/4"-18	18.80	21.80	6.71	7.14	3/4"	Imperial
DAOF5428M-0606IN	11/16"-16	3/8"-18	18.80	24.10	6.71	10.31	3/4"	Imperial
DAOF5428M-0608IN	11/16"-16	1/2"-14	20.00	29.70	6.71	13.49	7/8"	Imperial
DAOF5428M-0806	13/16"-16	3/8"-18	20.30	24.10	9.60	10.31	19 mm	Metric
DAOF5428M-0808	13/16"-16	1/2"-14	20.30	29.70	9.60	13.49	22 mm	Metric
DAOF5428M-0812	13/16"-16	3/4"-14	20.83	30.50	9.50	18.26	27 mm	Metric
DAOF5428M-0806IN	13/16"-16	3/8"-18	20.30	24.10	9.60	10.31	3/4"	Imperial
DAOF5428M-0808IN	13/16"-16	1/2"-14	20.30	29.70	9.60	13.49	7/8"	Imperial
DAOF5428M-0812IN	13/16"-16	3/4"-14	20.83	30.50	9.50	18.26	1-1/16"	Imperial
DAOF5428M-1008	1"-14	1/2"-14	23.40	29.90	12.29	13.49	27 mm	Metric
DAOF5428M-1008IN	1"-14	1/2"-14	23.40	29.90	12.29	13.49	1-1/16"	Imperial
DAOF5428M-1208	1-3/16"-12	1/2"-14	25.90	33.00	15.50	13.49	30 mm	Metric
DAOF5428M-1212	1-3/16"-12	3/4"-14	25.90	33.00	15.47	18.26	30 mm	Metric
DAOF5428M-1208IN	1-3/16"-12	1/2"-14	25.90	33.00	15.50	13.49	1-3/16"	Imperial
DAOF5428M-1212IN	1-3/16"-12	3/4"-14	25.90	33.00	15.47	18.26	1-3/16"	Imperial
DAOF5428M-1612	1-7/16"-12	3/4"-14	30.00	36.50	20.60	18.26	36 mm	Metric
DAOF5428M-1616	1-7/16"-12	1"-11-1/2	30.00	39.60	20.60	23.83	36 mm	Metric
DAOF5428M-1612IN	1-7/16"-12	3/4"-14	30.00	36.50	20.60	18.26	1-7/16"	Imperial
DAOF5428M-1616IN	1-7/16"-12	1"-11-1/2	30.00	39.60	20.60	23.83	1-7/16"	Imperial
DAOF5428M-2016	1-11/16"-12	1"-11-1/2	32.00	41.67	26.00	23.83	41 mm	Metric
DAOF5428M-2020	1-11/16"-12	1-1/4"-11-1/2	32.00	42.40	26.00	31.75	41 mm	Metric
DAOF5428M-2016IN	1-11/16"-12	1"-11-1/2	32.00	41.67	26.00	23.83	1-5/8"	Imperial
DAOF5428M-2020IN	1-11/16"-12	1-1/4"-11-1/2	32.00	42.40	26.00	31.75	1-5/8"	Imperial
DAOF5428M-2424	2"-12	1-1/2"-11-1/2	36.80	50.00	32.00	38.10	50 mm	Metric
DAOF5428M-2424IN	2"-12	1-1/2"-11-1/2	36.80	50.00	32.00	38.10	1-7/8"	Imperial



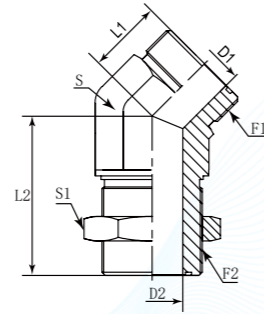
## DAOF5424T

45° Bulkhead Elbow ORFS Male - ORFS Male

<b>D</b>	<b>A</b>	<b>OF</b>	<b>5</b>	<b>4</b>	<b>24</b>	<b>T</b>
Company	Product Range	Thread Types	Connection Type	Adaptor Structure	Thread Types	Connection Type
<b>DME</b>	Adaptor	ORFS UNF	Male	45° Elbow	ORFS UNF	Bulkhead Male



<b>DME&amp;JDE Code:</b>	DAOF5424T
<b>Product Type</b>	Hydraulic adaptor
<b>Standard:</b>	ORFS
<b>Structure:</b>	45° Elbow
<b>Connection Type:</b>	Male x Male
<b>Thread Types:</b>	UNF x UNF
<b>Other Features:</b>	Bulkhead



PART NUMBER	F1 (Thread)	F2 (Thread)	L1	L2	D1	D2	S	S1	Hex
#	UNF	UNF	mm	mm	mm	mm	-	-	-
DAOF5424T-0404	9/16"-18	9/16"-18	16.00	43.90	4.37	4.37	14 mm	22 mm	Metric
DAOF5424T-0404IN	9/16"-18	9/16"-18	16.00	43.90	4.37	4.37	9/16"	13/16"	Imperial
DAOF5424T-0606	11/16"-16	11/16"-16	18.80	48.50	6.71	6.71	19 mm	27 mm	Metric
DAOF5424T-0606IN	11/16"-16	11/16"-16	18.80	48.50	6.71	6.71	3/4"	1"	Imperial
DAOF5424T-0808	13/16"-16	13/16"-16	20.30	51.10	9.60	9.60	19 mm	30 mm	Metric
DAOF5424T-0808IN	13/16"-16	13/16"-16	20.30	51.10	9.60	9.60	3/4"	1-1/8"	Imperial
DAOF5424T-1010	1"-14	1"-14	23.50	56.50	12.50	12.50	27 mm	36 mm	Metric
DAOF5424T-1010IN	1"-14	1"-14	23.50	56.50	12.50	12.50	1-1/16"	1-5/16"	Imperial
DAOF5424T-1212	1-3/16"-12	1-3/16"-12	25.90	60.70	15.47	15.47	30 mm	41 mm	Metric
DAOF5424T-1212IN	1-3/16"-12	1-3/16"-12	25.90	60.70	15.47	15.47	1-3/16"	1-1/2"	Imperial
DAOF5424T-1616	1-7/16"-12	1-7/16"-12	30.00	65.30	20.60	20.60	36 mm	46 mm	Metric
DAOF5424T-1616IN	1-7/16"-12	1-7/16"-12	30.00	65.30	20.60	20.60	1-7/16"	1-3/4"	Imperial
DAOF5424T-2020	1-11/16"-12	1-11/16"-12	32.00	67.10	26.00	26.00	41 mm	50 mm	Metric
DAOF5424T-2020IN	1-11/16"-12	1-11/16"-12	32.00	67.10	26.00	26.00	1-5/8"	2"	Imperial
DAOF5424T-2424	2"-12	2"-12	36.80	67.10	32.00	32.00	48 mm	60 mm	Metric
DAOF5424T-2424IN	2"-12	2"-12	36.80	67.10	32.00	32.00	1-7/8"	2-3/8"	Imperial



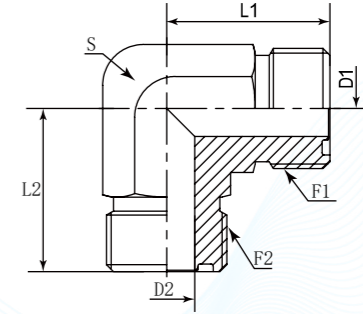
## DAOF59245

90° Elbow Connector ORFS Male - ORFS Male

<b>D</b>	<b>A</b>	<b>OF</b>	<b>5</b>	<b>9</b>	<b>24</b>	<b>5</b>
Company	Product Range	Thread Types	Connection Type	Adaptor Structure	Thread Types	Connection Type
<b>DME</b>	Adaptor	ORFS UNF	Male	90° Elbow	ORFS UNF	Male



<b>DME&amp;JDE Code:</b>	DAOF59245
<b>Product Type</b>	Hydraulic adaptor
<b>Standard:</b>	ORFS
<b>Structure:</b>	90° Elbow
<b>Connection Type:</b>	Male x Male
<b>Thread Types:</b>	UNF x UNF



PART NUMBER	F1 (Thread)	F2 (Thread)	L1	L2	D1	D2	S	Hex
#	UNF	UNF	mm	mm	mm	mm	-	-
DAOF59245-0404	9/16"-18	9/16"-18	21.60	21.60	4.50	4.50	14 mm	Metric
DAOF59245-0404IN	9/16"-18	9/16"-18	21.60	21.60	4.50	4.50	9/16"	Imperial
DAOF59245-0604	11/16"-16	9/16"-18	25.00	25.00	6.71	4.37	19 mm	Metric
DAOF59245-0606	11/16"-16	11/16"-16	24.90	24.90	6.71	6.71	19 mm	Metric
DAOF59245-0604IN	11/16"-16	9/16"-18	25.00	25.00	6.71	4.37	3/4"	Imperial
DAOF59245-0606IN	11/16"-16	11/16"-16	24.90	24.90	6.71	6.71	3/4"	Imperial
DAOF59245-0806	13/16"-16	11/16"-16	28.00	28.00	9.60	6.71	19 mm	Metric
DAOF59245-0808	13/16"-16	13/16"-16	28.00	28.00	9.60	9.60	19 mm	Metric
DAOF59245-0806IN	13/16"-16	11/16"-16	28.00	28.00	9.60	6.71	3/4"	Imperial
DAOF59245-0808IN	13/16"-16	13/16"-16	28.00	28.00	9.60	9.60	3/4"	Imperial
DAOF59245-1008	1"-14	13/16"-16	33.30	33.30	12.29	9.60	27 mm	Metric
DAOF59245-1010	1"-14	1"-14	33.30	33.30	12.29	12.29	27 mm	Metric
DAOF59245-1008IN	1"-14	13/16"-16	33.30	33.30	12.29	9.60	1-1/16"	Imperial
DAOF59245-1010IN	1"-14	1"-14	33.30	33.30	12.29	12.29	1-1/16"	Imperial
DAOF59245-1208	1-3/16"-12	13/16"-16	37.30	34.50	15.47	9.60	30 mm	Metric
DAOF59245-1212	1-3/16"-12	1-3/16"-12	37.50	37.50	15.50	15.50	30 mm	Metric
DAOF59245-1208IN	1-3/16"-12	13/16"-16	37.30	34.50	15.47	9.60	1-3/16"	Imperial
DAOF59245-1212IN	1-3/16"-12	1-3/16"-12	37.50	37.50	15.50	15.50	1-3/16"	Imperial
DAOF59245-1612	1-7/16"-12	1-3/16"-12	41.70	41.70	20.60	15.47	36 mm	Metric
DAOF59245-1616	1-7/16"-12	1-7/16"-12	41.70	41.70	20.60	20.60	36 mm	Metric
DAOF59245-1612IN	1-7/16"-12	1-3/16"-12	41.70	41.70	20.60	15.47	1-7/16"	Imperial
DAOF59245-1616IN	1-7/16"-12	1-7/16"-12	41.70	41.70	20.60	20.60	1-7/16"	Imperial
DAOF59245-2016	1-11/16"-12	1-7/16"-12	44.70	44.70	26.00	20.60	41 mm	Metric
DAOF59245-2020	1-11/16"-12	1-11/16"-12	44.70	44.70	26.00	26.00	41 mm	Metric
DAOF59245-2016IN	1-11/16"-12	1-7/16"-12	44.70	44.70	26.00	20.60	1-5/8"	Imperial
DAOF59245-2020IN	1-11/16"-12	1-11/16"-12	44.70	44.70	26.00	26.00	1-5/8"	Imperial
DAOF59245-2420	2"-12	1-11/16"-12	48.80	48.80	32.00	26.00	50 mm	Metric
DAOF59245-2424	2"-12	2"-12	48.80	48.80	32.00	32.00	50 mm	Metric
DAOF59245-2420IN	2"-12	1-11/16"-12	48.80	48.80	32.00	26.00	1-7/8"	Imperial
DAOF59245-2424IN	2"-12	2"-12	48.80	48.80	32.00	32.00	1-7/8"	Imperial

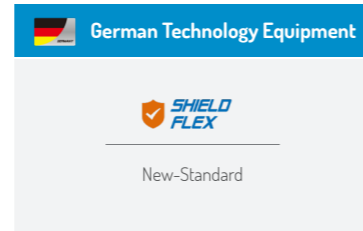




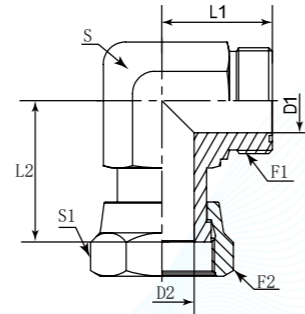
## DAOF59241

90° Elbow Connector ORFS Male - ORFS Swivel Female

<b>D</b>	<b>A</b>	<b>OF</b>	<b>5</b>	<b>9</b>	<b>241</b>
Company	Product Range	Thread Types	Connection Type	Adaptor Structure	Connection Type
<b>DME</b>	Adaptor	ORFS UNF	Male	90° Elbow	ORFS Swivel Female



- DME&JDE Code: **DAOF59241**
- Product Type: **Hydraulic adaptor**
- Standard: **ORFS**
- Structure: **90° Elbow**
- Connection Type: **Male x Swivel Female**
- Thread Types: **UNF x UNF**



PART NUMBER	F1 (Thread)	F2 (Thread)	L1	L2	D1	D2	S	S1	Hex
#	UNF	UNF	mm	mm	mm	mm	-	-	-
DAOF59241-0404	9/16"-18	9/16"-18	21.59	26.41	4.37	4.19	14 mm	17 mm	Metric
DAOF59241-0406	9/16"-18	11/16"-16	23.50	29.21	4.37	6.71	19 mm	22 mm	Metric
DAOF59241-0404IN	9/16"-18	9/16"-18	21.59	26.41	4.37	4.19	9/16"	11/16"	Imperial
DAOF59241-0406IN	9/16"-18	11/16"-16	23.50	29.21	4.37	6.71	3/4"	13/16"	Imperial
DAOF59241-0606	11/16"-16	11/16"-16	24.89	29.21	6.71	6.71	19 mm	22 mm	Metric
DAOF59241-0606IN	11/16"-16	11/16"-16	24.89	29.21	6.71	6.71	3/4"	13/16"	Imperial
DAOF59241-0806	13/16"-16	11/16"-16	27.94	33.80	9.60	6.71	19 mm	22 mm	Metric
DAOF59241-0808	13/16"-16	13/16"-16	28.00	38.00	9.60	9.09	19 mm	24 mm	Metric
DAOF59241-0812	13/16"-16	1-3/16"-12	34.50	46.30	9.60	13.89	30 mm	36 mm	Metric
DAOF59241-0806IN	13/16"-16	11/16"-16	27.94	33.80	9.60	6.71	3/4"	13/16"	Imperial
DAOF59241-0808IN	13/16"-16	13/16"-16	28.00	38.00	9.60	9.09	3/4"	15/16"	Imperial
DAOF59241-0812IN	13/16"-16	1-3/16"-12	34.50	46.30	9.60	13.89	1-3/16"	1-3/8"	Imperial
DAOF59241-1010	1"-14	1"-14	33.27	41.15	12.29	11.51	27 mm	30 mm	Metric
DAOF59241-1010IN	1"-14	1"-14	33.27	41.15	12.29	11.51	1-1/16"	1-1/8"	Imperial
DAOF59241-1212	1-3/16"-12	1-3/16"-12	37.50	46.50	15.50	14.00	30 mm	36 mm	Metric
DAOF59241-1212IN	1-3/16"-12	1-3/16"-12	37.50	46.50	15.50	14.00	1-3/16"	1-3/8"	Imperial
DAOF59241-1616	1-7/16"-12	1-7/16"-12	41.66	53.34	20.60	19.89	36 mm	41 mm	Metric
DAOF59241-1616IN	1-7/16"-12	1-7/16"-12	41.66	53.34	20.60	19.89	1-7/16"	1-5/8"	Imperial
DAOF59241-2020	1-11/16"-12	1-11/16"-12	44.70	58.17	26.00	26.00	41 mm	50 mm	Metric
DAOF59241-2020IN	1-11/16"-12	1-11/16"-12	44.70	58.17	26.00	26.00	1-5/8"	1-7/8"	Imperial
DAOF59241-2420	2"-12	1-11/16"-12	49.00	61.00	32.00	26.01	48 mm	50 mm	Metric
DAOF59241-2424	2"-12	2"-12	48.80	61.20	32.00	32.00	48 mm	60 mm	Metric
DAOF59241-2420IN	2"-12	1-11/16"-12	49.00	61.00	32.00	26.01	1-7/8"	1-7/8"	Imperial
DAOF59241-2424IN	2"-12	2"-12	48.80	61.20	32.00	32.00	1-7/8"	2-1/4"	Imperial



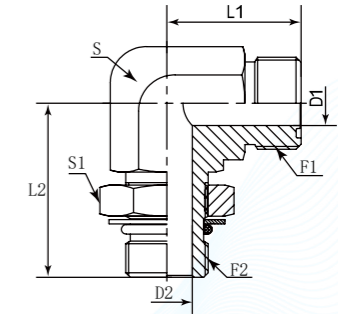
## DAOF59305

90° Adjustable Elbow ORFS Male - SAE Male O Ring

<b>D</b>	<b>A</b>	<b>OF</b>	<b>5</b>	<b>9</b>	<b>30</b>	<b>M</b>
Company	Product Range	Thread Types	Connection Type	Adaptor Structure	Thread Types	Connection Type
<b>DME</b>	Adaptor	ORFS UNF	Male	90° Elbow	SAE UNF	Male O Ring



- DME&JDE Code: **DAOF59305**
- Product Type: **Hydraulic adaptor**
- Standard: **ORFS**
- Structure: **90° Elbow**
- Connection Type: **Male x Male**
- Thread Types: **ORFS UNF x SAE UNF**
- Sealing Method: **O Ring**



PART NUMBER	F1 (Thread)	F2 (Thread)	L1	L2	D1	D2	S	S1	Hex
#	UNF	UNF	mm	mm	mm	mm	-	-	-
DAOF59305-0402	9/16"-18	5/16"-24	21.59	26.84	4.37	1.57	14 mm	11 mm	Metric
DAOF59305-0403	9/16"-18	3/8"-24	21.59	29.80	4.37	3.18	14 mm	14 mm	Metric
DAOF59305-0404	9/16"-18	7/16"-20	21.50	32.70	4.37	4.37	14 mm	17 mm	Metric
DAOF59305-0405	9/16"-18	1/2"-20	21.60	32.80	4.37	6.00	14 mm	17 mm	Metric
DAOF59305-0406	9/16"-18	9/16"-18	23.37	36.83	4.37	6.71	19 mm	19 mm	Metric
DAOF59305-0408	9/16"-18	3/4"-16	24.60	40.60	4.37	9.60	19 mm	24 mm	Metric
DAOF59305-0402IN	9/16"-18	5/16"-24	21.59	26.84	4.37	1.57	9/16"	7/16"	Imperial
DAOF59305-0403IN	9/16"-18	3/8"-24	21.59	29.80	4.37	3.18	9/16"	9/16"	Imperial
DAOF59305-0404IN	9/16"-18	7/16"-20	21.50	32.70	4.37	4.37	9/16"	5/8"	Imperial
DAOF59305-0405IN	9/16"-18	1/2"-20	21.60	32.80	4.37	6.00	9/16"	5/8"	Imperial
DAOF59305-0406IN	9/16"-18	9/16"-18	23.37	36.83	4.37	6.71	3/4"	3/4"	Imperial
DAOF59305-0408IN	9/16"-18	3/4"-16	24.60	40.60	4.37	9.60	3/4"	15/16"	Imperial
DAOF59305-0602	11/16"-16	5/16"-24	25.00	30.40	6.71	1.57	19 mm	11 mm	Metric
DAOF59305-0604	11/16"-16	7/16"-20	25.00	35.00	6.50	4.50	19 mm	17 mm	Metric
DAOF59305-0606	11/16"-16	9/16"-18	24.90	36.80	6.71	6.71	19 mm	19 mm	Metric
DAOF59305-0608	11/16"-16	3/4"-16	26.50	40.60	6.50	10.00	19 mm	24 mm	Metric
DAOF59305-0610	11/16"-16	7/8"-14	30.00	50.00	6.50	12.50	27 mm	27 mm	Metric
DAOF59305-0612	11/16"-16	1-1/16"-12	31.80	55.10	6.71	15.47	30 mm	36 mm	Metric
DAOF59305-0616	11/16"-16	1-5/16"-12	35.60	59.70	6.71	20.60	36 mm	41 mm	Metric
DAOF59305-0602IN	11/16"-16	5/16"-24	25.00	30.40	6.71	1.57	3/4"	7/16"	Imperial
DAOF59305-0604IN	11/16"-16	7/16"-20	25.00	35.00	6.50	4.50	3/4"	5/8"	Imperial
DAOF59305-0606IN	11/16"-16	9/16"-18	24.90	36.80	6.71	6.71	3/4"	3/4"	Imperial
DAOF59305-0608IN	11/16"-16	3/4"-16	26.50	40.60	6.50	10.00	3/4"	15/16"	Imperial
DAOF59305-0610IN	11/16"-16	7/8"-14	30.00	50.00	6.50	12.50	1-1/16"	1-1/16"	Imperial
DAOF59305-0612IN	11/16"-16	1-1/16"-12	31.80	55.10	6.71	15.47	1-3/16"	1-3/8"	Imperial
DAOF59305-0616IN	11/16"-16	1-5/16"-12	35.60	59.70	6.71	20.60	1-7/16"	1-5/8"	Imperial
DAOF59305-0804	13/16"-16	7/16"-20	28.00	35.00	9.50	4.50	19 mm	17 mm	Metric



DAOF59305-0806	13/16"-16	9/16"-18	28.00	36.60	9.60	6.71	19 mm	19 mm	Metric
DAOF59305-0808	13/16"-16	3/4"-16	28.00	40.60	9.60	9.60	19 mm	24 mm	Metric
DAOF59305-0810	13/16"-16	7/8"-14	31.50	50.00	9.60	12.50	27 mm	27 mm	Metric
DAOF59305-0812	13/16"-16	1-1/16"-12	34.00	55.00	9.60	15.47	30 mm	36 mm	Metric
DAOF59305-0804IN	13/16"-16	7/16"-20	28.00	35.00	9.50	4.50	3/4"	5/8"	Imperial
DAOF59305-0806IN	13/16"-16	9/16"-18	28.00	36.60	9.60	6.71	3/4"	3/4"	Imperial
DAOF59305-0808IN	13/16"-16	3/4"-16	28.00	40.60	9.60	9.60	3/4"	15/16"	Imperial
DAOF59305-0810IN	13/16"-16	7/8"-14	31.50	50.00	9.60	12.50	1-1/16"	1-1/16"	Imperial
DAOF59305-0812IN	13/16"-16	1-1/16"-12	34.00	55.00	9.60	15.47	1-3/16"	1-3/8"	Imperial
DAOF59305-1008	1"-14	3/4"-16	33.50	46.00	12.50	10.00	27 mm	24 mm	Metric
DAOF59305-1010	1"-14	7/8"-14	33.30	50.00	12.29	12.29	27 mm	27 mm	Metric
DAOF59305-1012	1"-14	1-1/16"-12	35.80	55.10	12.29	15.47	30 mm	36 mm	Metric
DAOF59305-1008IN	1"-14	3/4"-16	33.50	46.00	12.50	10.00	1-1/16"	15/16"	Imperial
DAOF59305-1010IN	1"-14	7/8"-14	33.30	50.00	12.29	12.29	1-1/16"	1-1/16"	Imperial
DAOF59305-1012IN	1"-14	1-1/16"-12	35.80	55.10	12.29	15.47	1-3/16"	1-3/8"	Imperial
DAOF59305-1208	1-3/16"-12	3/4"-16	37.50	46.50	15.50	10.00	30 mm	24 mm	Metric
DAOF59305-1210	1-3/16"-12	7/8"-14	37.50	50.90	15.50	12.50	30 mm	27 mm	Metric
DAOF59305-1212	1-3/16"-12	1-1/16"-12	37.50	55.00	15.50	15.50	30 mm	36 mm	Metric
DAOF59305-1216	1-3/16"-12	1-5/16"-12	41.00	59.70	15.47	21.50	36 mm	41 mm	Metric
DAOF59305-1220	1-3/16"-12	1-5/8"-12	44.20	62.20	15.47	26.01	41 mm	50 mm	Metric
DAOF59305-1208IN	1-3/16"-12	3/4"-16	37.50	46.50	15.50	10.00	1-3/16"	15/16"	Imperial
DAOF59305-1210IN	1-3/16"-12	7/8"-14	37.50	50.90	15.50	12.50	1-3/16"	1-1/16"	Imperial
DAOF59305-1212IN	1-3/16"-12	1-1/16"-12	37.50	55.00	15.50	15.50	1-3/16"	1-3/8"	Imperial
DAOF59305-1216IN	1-3/16"-12	1-5/16"-12	41.00	59.70	15.47	21.50	1-7/16"	1-5/8"	Imperial
DAOF59305-1220IN	1-3/16"-12	1-5/8"-12	44.20	62.20	15.47	26.01	1-5/8"	1-7/8"	Imperial
DAOF59305-1610	1-7/16"-12	7/8"-14	41.50	54.60	20.50	12.50	36 mm	27 mm	Metric
DAOF59305-1612	1-7/16"-12	1-1/16"-12	41.70	58.90	20.60	15.47	36 mm	36 mm	Metric
DAOF59305-1614	1-7/16"-12	1-3/16"-12	41.66	58.93	20.60	18.00	36 mm	41 mm	Metric
DAOF59305-1616	1-7/16"-12	1-5/16"-12	41.70	59.70	20.60	20.60	36 mm	41 mm	Metric
DAOF59305-1620	1-7/16"-12	1-5/8"-12	44.70	62.20	20.50	27.50	41 mm	50 mm	Metric
DAOF59305-1624	1-7/16"-12	1-7/8"-12	48.80	65.80	20.60	32.00	50 mm	55 mm	Metric
DAOF59305-1610IN	1-7/16"-12	7/8"-14	41.50	54.60	20.50	12.50	1-7/16"	1-1/16"	Imperial
DAOF59305-1612IN	1-7/16"-12	1-1/16"-12	41.70	58.90	20.60	15.47	1-7/16"	1-3/8"	Imperial
DAOF59305-1614IN	1-7/16"-12	1-3/16"-12	41.66	58.93	20.60	18.00	1-7/16"	1-1/2"	Imperial
DAOF59305-1616IN	1-7/16"-12	1-5/16"-12	41.70	59.70	20.60	20.60	1-7/16"	1-5/8"	Imperial
DAOF59305-1620IN	1-7/16"-12	1-5/8"-12	44.70	62.20	20.50	27.50	1-5/8"	1-7/8"	Imperial
DAOF59305-1624IN	1-7/16"-12	1-7/8"-12	48.80	65.80	20.60	32.00	1-7/8"	2-1/8"	Imperial
DAOF59305-2012	1-11/16"-12	1-1/16"-12	44.70	61.10	26.00	15.47	41 mm	36 mm	Metric
DAOF59305-2016	1-11/16"-12	1-5/16"-12	44.70	62.20	26.00	21.50	41 mm	41 mm	Metric
DAOF59305-2020	1-11/16"-12	1-5/8"-12	44.50	62.00	26.00	27.50	41 mm	50 mm	Metric
DAOF59305-2024	1-11/16"-12	1-7/8"-12	48.80	65.80	26.00	32.00	50 mm	55 mm	Metric
DAOF59305-2012IN	1-11/16"-12	1-1/16"-12	44.70	61.10	26.00	15.47	1-5/8"	1-3/8"	Imperial
DAOF59305-2016IN	1-11/16"-12	1-5/16"-12	44.70	62.20	26.00	21.50	1-5/8"	1-5/8"	Imperial
DAOF59305-2020IN	1-11/16"-12	1-5/8"-12	44.50	62.00	26.00	27.50	1-5/8"	1-7/8"	Imperial
DAOF59305-2024IN	1-11/16"-12	1-7/8"-12	48.80	65.80	26.00	32.00	1-7/8"	2-1/8"	Imperial
DAOF59305-2420	2"-12	1-5/8"-12	49.00	66.00	32.00	27.50	50 mm	50 mm	Metric
DAOF59305-2424	2"-12	1-7/8"-12	49.00	66.00	32.00	33.50	50 mm	55 mm	Metric
DAOF59305-2420IN	2"-12	1-5/8"-12	49.00	66.00	32.00	27.50	1-7/8"	1-7/8"	Imperial
DAOF59305-2424IN	2"-12	1-7/8"-12	49.00	66.00	32.00	33.50	1-7/8"	2-1/8"	Imperial

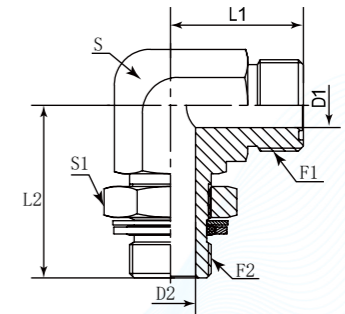
## DAOF5906Q



### 90° Adjustable Elbow ORFS Male - BSPP Male + O Ring + Retaining Ring

<b>D</b>	<b>A</b>	<b>OF</b>	<b>5</b>	<b>9</b>	<b>06</b>	<b>Q</b>
Company	Product Range	Thread Types	Connection Type	Adaptor Structure	Thread Types	Connection Type
<b>DME</b>	Adaptor	ORFS UNF	Male	90° Elbow	BSPP	Male + O Ring + Retaining Ring

- DME&JDE Code:** DAOF5906Q
- Product Type:** Hydraulic adaptor
- Standard:** ORFS
- Structure:** 90° Elbow
- Connection Type:** Adjustable Male x Male
- Thread Types:** UNF x BSPP
- Sealing Method:** O Ring + Retaining Ring



PART NUMBER	F1 (Thread)	F2 (Thread)	C1	C2	D1	D2	L	S
#	UNF	BSPP	mm	mm	mm	mm	mm	mm
DAOF5906Q-0402	9/16"-18	1/8"-28	21.50	30.00	4.37	4.40	14.00	14.00
DAOF5906Q-0404	9/16"-18	1/4"-19	23.50	35.00	4.37	7.50	14.00	19.00
DAOF5906Q-0406	9/16"-18	3/8"-19	25.00	38.00	4.37	9.90	19.00	22.00
DAOF5906Q-0604	11/16"-16	1/4"-19	25.00	36.00	6.71	7.50	19.00	19.00
DAOF5906Q-0606	11/16"-16	3/8"-19	26.50	38.00	6.71	9.90	19.00	22.00
DAOF5906Q-0608	11/16"-16	1/2"-14	29.50	48.00	6.71	12.30	22.00	27.00
DAOF5906Q-0804	13/16"-16	1/4"-19	28.00	35.00	9.60	7.50	19.00	19.00
DAOF5906Q-0806	13/16"-16	3/8"-19	28.00	36.50	9.60	9.90	19.00	22.00
DAOF5906Q-0808	13/16"-16	1/2"-14	31.00	48.00	9.60	12.30	27.00	27.00
DAOF5906Q-0812	13/16"-16	3/4"-14	30.70	49.00	9.60	15.50	27.00	36.00
DAOF5906Q-1006	1"-14	3/8"-19	35.50	43.00	12.29	9.90	27.00	22.00
DAOF5906Q-1008	1"-14	1/2"-14	33.50	48.00	12.29	12.30	27.00	27.00
DAOF5906Q-1010	1"-14	5/8"-14	37.00	48.00	12.29	14.00	27.00	32.00
DAOF5906Q-1012	1"-14	3/4"-14	36.00	51.50	12.29	15.50	30.00	36.00
DAOF5906Q-1208	1-3/16"-12	1/2"-14	37.50	49.00	15.47	12.30	30.00	27.00
DAOF5906Q-1212	1-3/16"-12	3/4"-14	37.50	51.50	15.47	15.50	30.00	36.00
DAOF5906Q-1216	1-3/16"-12	1"-11	41.50	58.00	15.47	21.50	36.00	41.00
DAOF5906Q-1612	1-7/16"-12	3/4"-14	42.00	57.50	20.60	15.50	36.00	36.00
DAOF5906Q-1616	1-7/16"-12	1"-11	42.00	58.00	20.60	21.50	36.00	41.00
DAOF5906Q-1620	1-7/16"-12	1-1/4"-11	44.50	60.50	20.60	27.50	41.00	50.00
DAOF5906Q-2016	1-11/16"-12	1"-11	44.70	60.50	26.00	21.50	41.00	41.00
DAOF5906Q-2020	1-11/16"-12	1-1/4"-11	44.70	60.50	26.00	27.50	41.00	50.00
DAOF5906Q-2024	1-11/16"-12	1-1/2"-11	49.00	64.50	26.00	33.00	48.00	55.00
DAOF5906Q-2424	2"-12	1-1/2"-11	49.00	64.50	32.00	33.00	48.00	55.00

## DAOF59065

90° Adjustable Elbow ORFS Male - BSPP Male + O Ring

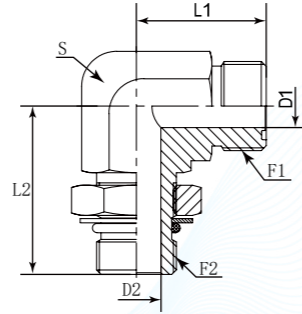
<b>D</b>	<b>A</b>	<b>OF</b>	<b>5</b>	<b>9</b>	<b>06</b>	<b>5</b>
Company	Product Range	Thread Types	Connection Type	Adaptor Structure	Thread Types	Connection Type
<b>DME</b>	Adaptor	ORFS UNF	Male	90° Elbow	BSPP	Male + O Ring

German Technology Equipment

**SHIELD FLEX**

New-Standard

- DME&JDE Code:** DAOF59065
- Product Type:** Hydraulic adaptor
- Standard:** ORFS
- Structure:** 90° Elbow
- Connection Type:** Adjustable Male x Male
- Thread Types:** UNF x BSPP + O Ring
- Sealing Method:** O Ring



PART NUMBER	F1 (Thread)	F2 (Thread)	L1	L2	D1	D2	S	S1
#	UNF	BSPP	mm	mm	mm	mm	mm	mm
DAOF59065-0402	9/16"-18	1/8"-28	21.50	30.00	4.37	4.40	14.00	14.00
DAOF59065-0404	9/16"-18	1/4"-19	23.50	35.00	4.37	7.50	14.00	19.00
DAOF59065-0406	9/16"-18	3/8"-19	25.00	38.00	4.37	9.90	19.00	22.00
DAOF59065-0604	11/16"-16	1/4"-19	25.00	36.00	6.71	7.50	19.00	19.00
DAOF59065-0606	11/16"-16	3/8"-19	26.50	38.00	6.71	9.90	19.00	22.00
DAOF59065-0608	11/16"-16	1/2"-14	29.50	48.00	6.71	12.30	22.00	27.00
DAOF59065-0804	13/16"-16	1/4"-19	28.00	35.00	9.60	7.50	19.00	19.00
DAOF59065-0806	13/16"-16	3/8"-19	28.00	36.50	9.60	9.90	19.00	22.00
DAOF59065-0808	13/16"-16	1/2"-14	31.00	48.00	9.60	12.30	27.00	27.00
DAOF59065-0812	13/16"-16	3/4"-14	30.70	49.00	9.60	15.50	27.00	36.00
DAOF59065-1006	1"-14	3/8"-19	35.50	43.00	12.29	9.90	27.00	22.00
DAOF59065-1008	1"-14	1/2"-14	33.50	48.00	12.29	12.30	27.00	27.00
DAOF59065-1010	1"-14	5/8"-14	37.00	48.00	12.29	14.00	27.00	32.00
DAOF59065-1012	1"-14	3/4"-14	36.00	51.50	12.29	15.50	30.00	36.00
DAOF59065-1208	1-3/16"-12	1/2"-14	37.50	49.00	15.47	12.30	30.00	27.00
DAOF59065-1212	1-3/16"-12	3/4"-14	37.50	51.50	15.47	15.50	30.00	36.00
DAOF59065-1216	1-3/16"-12	1"-11	41.50	58.00	15.47	21.50	36.00	41.00
DAOF59065-1612	1-7/16"-12	3/4"-14	42.00	57.50	20.60	15.50	36.00	36.00
DAOF59065-1616	1-7/16"-12	1"-11	42.00	58.00	20.60	21.50	36.00	41.00
DAOF59065-1620	1-7/16"-12	1-1/4"-11	44.50	60.50	20.60	27.50	41.00	50.00
DAOF59065-2016	1-11/16"-12	1"-11	44.70	60.50	26.00	21.50	41.00	41.00
DAOF59065-2020	1-11/16"-12	1-1/4"-11	44.70	60.50	26.00	27.50	41.00	50.00
DAOF59065-2024	1-11/16"-12	1-1/2"-11	49.00	64.50	26.00	33.00	48.00	55.00
DAOF59065-2424	2"-12	1-1/2"-11	49.00	64.50	32.00	33.00	48.00	55.00



## DAOF5952Q

90° Adjustable Elbow ORFS Male - Metric Male + O Ring + Retaining Ring

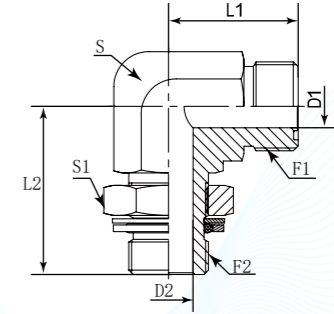
<b>D</b>	<b>A</b>	<b>OF</b>	<b>5</b>	<b>9</b>	<b>52</b>	<b>Q</b>
Company	Product Range	Thread Types	Connection Type	Adaptor Structure	Thread Types	Connection Type
<b>DME</b>	Adaptor	ORFS UNF	Male	90° Elbow	Metric	Male + O Ring + Retaining Ring

German Technology Equipment

**SHIELD FLEX**

New-Standard

- DME&JDE Code:** DAOF5952Q
- Product Type:** Hydraulic adaptor
- Standard:** ORFS
- Structure:** 90° Elbow
- Connection Type:** Adjustable Male x Male
- Thread Types:** UNF x Metric
- Sealing Method:** O Ring + Retaining Ring



PART NUMBER	F1 (Thread)	F2 (Thread)	L1	L2	D1	D2	S	S1
#	UNF	Metric	mm	mm	mm	mm	mm	mm
DAOF5952Q-0410	9/16"-18	M10X1	21.50	32.50	4.37	3.00	14.00	14.00
DAOF5952Q-0412	9/16"-18	M12X1.5	21.50	32.50	4.37	4.00	14.00	17.00
DAOF5952Q-0614	11/16"-16	M14X1.5	25.00	36.00	6.71	6.00	19.00	19.00
DAOF5952Q-0616	11/16"-16	M16X1.5	25.00	37.00	6.71	7.00	19.00	22.00
DAOF5952Q-0618	11/16"-16	M18X1.5	25.00	40.00	6.71	9.00	19.00	24.00
DAOF5952Q-0622	11/16"-16	M22X1.5	29.90	49.00	6.71	12.00	27.00	27.00
DAOF5952Q-0816	13/16"-16	M16X1.5	28.00	37.00	9.60	7.00	19.00	22.00
DAOF5952Q-0818	13/16"-16	M18X1.5	28.00	41.00	9.60	9.00	19.00	24.00
DAOF5952Q-0822	13/16"-16	M22X1.5	31.50	49.00	9.60	12.00	27.00	27.00
DAOF5952Q-1018	1"-14	M18X1.5	33.50	48.00	12.29	9.00	27.00	24.00
DAOF5952Q-1022	1"-14	M22X1.5	33.50	49.00	12.29	12.00	27.00	27.00
DAOF5952Q-1227	1-3/16"-12	M27X2	37.50	55.50	15.47	15.00	30.00	32.00
DAOF5952Q-1233	1-3/16"-12	M33X2	41.50	60.00	15.50	20.00	36.00	41.00
DAOF5952Q-1627	1-7/16"-12	M27X2	41.50	59.50	20.50	15.00	36.00	32.00
DAOF5952Q-1633	1-7/16"-12	M33X2	42.00	60.00	20.60	20.00	36.00	41.00
DAOF5952Q-2033	1-11/16"-12	M33X2	44.70	62.50	26.00	20.00	41.00	41.00
DAOF5952Q-2042	1-11/16"-12	M42X2	44.50	63.00	26.00	26.00	41.00	50.00
DAOF5952Q-2448	2"-12	M48X2	47.90	66.00	32.00	32.00	48.00	55.00





## DAOF59525

90° Adjustable Elbow ORFS Male - Metric Male + O Ring

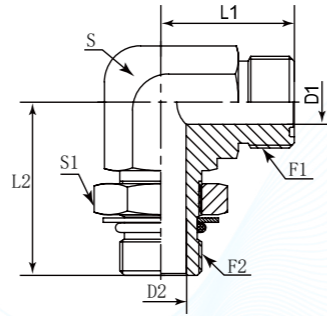
<b>D</b>	<b>A</b>	<b>OF</b>	<b>5</b>	<b>9</b>	<b>52</b>	<b>5</b>
Company	Product Range	Thread Types	Connection Type	Adaptor Structure	Thread Types	Connection Type
<b>DME</b>	Adaptor	ORFS UNF	Male	90° Elbow	Metric	Male + O Ring

German Technology Equipment

**SHIELD FLEX**

New-Standard

- DME&JDE Code:** DAOF59525
- Product Type:** Hydraulic adaptor
- Standard:** ORFS
- Structure:** 90° Elbow
- Connection Type:** Adjustable Male x Male
- Thread Types:** UNF x Metric + O Ring
- Sealing Method:** O Ring



PART NUMBER	F1 (Thread)	F2 (Thread)	L1	L2	D1	D2	S	S1
#	UNF	Metric	mm	mm	mm	mm	mm	mm
DAOF59525-0410	9/16"-18	M10X1	21.50	32.50	4.37	3.00	14.00	14.00
DAOF59525-0412	9/16"-18	M12X1.5	21.50	32.50	4.37	4.00	14.00	17.00
DAOF59525-0614	11/16"-16	M14X1.5	25.00	36.00	6.71	6.00	19.00	19.00
DAOF59525-0616	11/16"-16	M16X1.5	25.00	37.00	6.71	7.00	19.00	22.00
DAOF59525-0618	11/16"-16	M18X1.5	25.00	40.00	6.71	9.00	19.00	24.00
DAOF59525-0622	11/16"-16	M22X1.5	29.90	49.00	6.71	12.00	27.00	27.00
DAOF59525-0816	13/16"-16	M16X1.5	28.00	37.00	9.60	7.00	19.00	22.00
DAOF59525-0818	13/16"-16	M18X1.5	28.00	41.00	9.60	9.00	19.00	24.00
DAOF59525-0822	13/16"-16	M22X1.5	31.50	49.00	9.60	12.00	27.00	27.00
DAOF59525-1018	1"-14	M18X1.5	33.50	48.00	12.29	9.00	27.00	24.00
DAOF59525-1022	1"-14	M22X1.5	33.50	49.00	12.29	12.00	27.00	27.00
DAOF59525-1227	1-3/16"-12	M27X2	37.50	55.50	15.47	15.00	30.00	32.00
DAOF59525-1233	1-3/16"-12	M33X2	41.50	60.00	15.50	20.00	36.00	41.00
DAOF59525-1627	1-7/16"-12	M27X2	41.50	59.50	20.50	15.00	36.00	32.00
DAOF59525-1633	1-7/16"-12	M33X2	42.00	60.00	20.60	20.00	36.00	41.00
DAOF59525-2033	1-11/16"-12	M33X2	44.70	62.50	26.00	20.00	41.00	41.00
DAOF59525-2042	1-11/16"-12	M42X2	44.50	63.00	26.00	26.00	41.00	50.00
DAOF59525-2448	2"-12	M48X2	47.90	66.00	32.00	32.00	48.00	55.00

## DAOF5928M

90° Elbow Connector ORFS Male - NPTF Male 60°

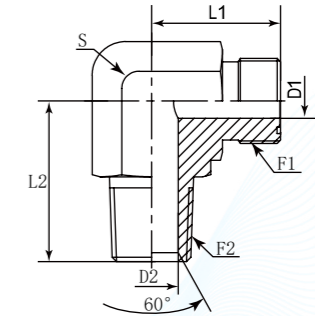
<b>D</b>	<b>A</b>	<b>OF</b>	<b>5</b>	<b>9</b>	<b>28</b>	<b>M</b>
Company	Product Range	Thread Types	Connection Type	Adaptor Structure	Thread Types	Connection Type
<b>DME</b>	Adaptor	ORFS UNF	Male	90° Elbow	NPTF	Male

German Technology Equipment

**SHIELD FLEX**

New-Standard

- DME&JDE Code:** DAOF5928M
- Product Type:** Hydraulic adaptor
- Standard:** ORFS
- Structure:** 90° Elbow
- Connection Type:** Male x Male
- Thread Types:** UNF x NPTF 60°



PART NUMBER	F1 (Thread)	F2 (Thread)	L1	L2	D1	D2	S	Hex
#	UNF	NPTF	mm	mm	mm	mm	-	-
DAOF5928M-0402	9/16"-18	1/8"-27	21.60	19.80	4.37	4.78	14 mm	Metric
DAOF5928M-0404	9/16"-18	1/4"-18	21.60	28.50	4.37	7.14	14 mm	Metric
DAOF5928M-0406	9/16"-18	3/8"-18	24.60	31.00	4.37	10.31	19 mm	Metric
DAOF5928M-0408	9/16"-18	1/2"-14	27.70	37.30	4.37	13.49	22 mm	Metric
DAOF5928M-0402IN	9/16"-18	1/8"-27	21.60	19.80	4.37	4.78	9/16"	Imperial
DAOF5928M-0404IN	9/16"-18	1/4"-18	21.60	28.50	4.37	7.14	9/16"	Imperial
DAOF5928M-0406IN	9/16"-18	3/8"-18	24.60	31.00	4.37	10.31	3/4"	Imperial
DAOF5928M-0408IN	9/16"-18	1/2"-14	27.70	37.30	4.37	13.49	7/8"	Imperial
DAOF5928M-0602	11/16"-16	1/8"-27	24.90	22.86	6.71	4.78	19 mm	Metric
DAOF5928M-0604	11/16"-16	1/4"-18	24.90	27.70	6.71	7.14	19 mm	Metric
DAOF5928M-0606	11/16"-16	3/8"-18	24.90	31.00	6.71	10.31	19 mm	Metric
DAOF5928M-0608	11/16"-16	1/2"-14	29.21	37.34	6.71	13.49	22 mm	Metric
DAOF5928M-0612	11/16"-16	3/4"-14	33.50	40.40	6.71	18.26	27 mm	Metric
DAOF5928M-0602IN	11/16"-16	1/8"-27	24.90	22.86	6.71	4.78	3/4"	Imperial
DAOF5928M-0604IN	11/16"-16	1/4"-18	24.90	27.70	6.71	7.14	3/4"	Imperial
DAOF5928M-0606IN	11/16"-16	3/8"-18	24.90	31.00	6.71	10.31	3/4"	Imperial
DAOF5928M-0608IN	11/16"-16	1/2"-14	29.21	37.34	6.71	13.49	7/8"	Imperial

Certificate: ISO 9001, ISO 14001, MSHA, DAKKS, DEKRA, DIN, SE, MA, WSF



DAOF5928M-0612IN	11/16"-16	3/4"-14	33.50	40.40	6.71	18.26	1-1/16"	Imperial
DAOF5928M-0804	13/16"-16	1/4"-18	27.90	31.00	9.60	7.14	19 mm	Metric
DAOF5928M-0806	13/16"-16	3/8"-18	27.90	31.00	9.60	10.31	19 mm	Metric
DAOF5928M-0808	13/16"-16	1/2"-14	27.97	37.30	9.60	13.49	19 mm	Metric
DAOF5928M-0812	13/16"-16	3/4"-14	33.50	40.40	9.60	18.26	22 mm	Metric
DAOF5928M-0804IN	13/16"-16	1/4"-18	27.90	31.00	9.60	7.14	27 mm	Metric
DAOF5928M-0806IN	13/16"-16	3/8"-18	27.90	31.00	9.60	10.31	3/4"	Imperial
DAOF5928M-0808IN	13/16"-16	1/2"-14	27.97	37.30	9.60	13.49	7/8"	Imperial
DAOF5928M-0812IN	13/16"-16	3/4"-14	33.50	40.40	9.60	18.26	1-1/16"	Imperial
DAOF5928M-1008	1"-14	1/2"-14	33.30	37.30	12.29	13.49	27 mm	Metric
DAOF5928M-1012	1"-14	3/4"-14	35.80	40.40	12.29	18.26	27 mm	Metric
DAOF5928M-1016	1"-14	1"-11-1/2	39.60	50.00	12.29	23.83	33 mm	Metric
DAOF5928M-1008IN	1"-14	1/2"-14	33.30	37.30	12.29	13.49	1-1/16"	Imperial
DAOF5928M-1012IN	1"-14	3/4"-14	35.80	40.40	12.29	18.26	1-1/16"	Imperial
DAOF5928M-1016IN	1"-14	1"-11-1/2	39.60	50.00	12.29	23.83	1-5/16"	Imperial
DAOF5928M-1206	1-3/16"-12	3/8"-18	37.30	37.50	15.47	10.31	30 mm	Metric
DAOF5928M-1208	1-3/16"-12	1/2"-14	37.30	40.40	15.47	13.49	30 mm	Metric
DAOF5928M-1212	1-3/16"-12	3/4"-14	37.30	40.40	15.47	18.26	30 mm	Metric
DAOF5928M-1216	1-3/16"-12	1"-11-1/2	41.20	50.00	15.47	23.83	33 mm	Metric
DAOF5928M-1206IN	1-3/16"-12	3/8"-18	37.30	37.50	15.47	10.31	1-3/16"	Imperial
DAOF5928M-1208IN	1-3/16"-12	1/2"-14	37.30	40.40	15.47	13.49	1-3/16"	Imperial
DAOF5928M-1212IN	1-3/16"-12	3/4"-14	37.30	40.40	15.47	18.26	1-3/16"	Imperial
DAOF5928M-1216IN	1-3/16"-12	1"-11-1/2	41.20	50.00	15.47	23.83	1-5/16"	Imperial
DAOF5928M-1616	1-7/16"-12	1"-11-1/2	41.70	50.00	20.60	23.83	36 mm	Metric
DAOF5928M-1616IN	1-7/16"-12	1"-11-1/2	41.70	50.00	20.60	23.83	1-7/16"	Imperial
DAOF5928M-2016	1-11/16"-12	1"-11-1/2	44.70	59.70	26.00	23.83	41 mm	Metric
DAOF5928M-2020	1-11/16"-12	1-1/4"-11-1/2	44.70	60.50	26.00	31.75	41 mm	Metric
DAOF5928M-2016IN	1-11/16"-12	1"-11-1/2	44.70	59.70	26.00	23.83	1-5/8"	Imperial
DAOF5928M-2020IN	1-11/16"-12	1-1/4"-11-1/2	44.70	60.50	26.00	31.75	1-5/8"	Imperial
DAOF5928M-2424	2"-12	1-1/2"-11-1/2	48.80	67.00	32.00	38.10	50 mm	Metric
DAOF5928M-2424IN	2"-12	1-1/2"-11-1/2	48.80	67.00	32.00	38.10	1-7/8"	Imperial



## DAOF5907M

90° Elbow Connector ORFS Male - BSPT Male

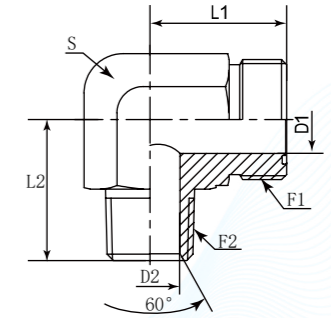
<b>D</b>	<b>A</b>	<b>OF</b>	<b>5</b>	<b>9</b>	<b>07</b>	<b>M</b>
Company	Product Range	Thread Types	Connection Type	Adaptor Structure	Thread Types	Connection Type
<b>DME</b>	Adaptor	ORFS UNF	Male	90° Elbow	BSPT	Male

German Technology Equipment

**SHIELD FLEX**

New-Standard

- DME&JDE Code:** DAOF5907M
- Product Type:** Hydraulic adaptor
- Standard:** ORFS
- Structure:** 90° Elbow
- Connection Type:** Male x Male
- Thread Types:** UNF x BSPT



PART NUMBER	F1 (Thread)	F2 (Thread)	D1	D2	L1	L2	S
#	UNF	BSPT	mm	mm	mm	mm	mm
DAOF5907M-0404	9/16"-18	1/4"-19	4.37	6.00	23.50	27.70	14.00
DAOF5907M-0606	11/16"-16	3/8"-19	6.71	9.00	26.50	31.00	19.00
DAOF5907M-0808	13/16"-16	1/2"-14	9.60	12.00	31.00	37.50	22.00
DAOF5907M-1010	1"-14	5/8"-14	12.29	14.00	37.00	39.00	27.00
DAOF5907M-1212	1-3/16"-12	3/4"-14	15.47	16.70	37.50	42.00	30.00
DAOF5907M-1616	1-7/16"-12	1"-11	20.60	22.20	42.00	50.00	36.00
DAOF5907M-2020	1-11/16"-12	1-1/4"-11	26.00	28.60	49.00	60.50	48.00
DAOF5907M-2424	2"-12	1-1/2"-11	32.00	33.30	49.00	67.10	48.00



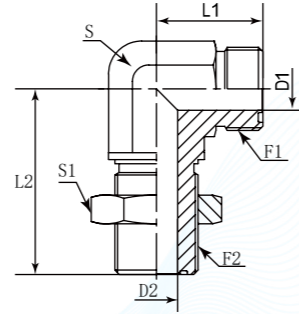
## DAOF5924T

90° Elbow Bulkhead Connector ORFS Male - ORFS Male

<b>D</b>	<b>A</b>	<b>OF</b>	<b>5</b>	<b>9</b>	<b>24</b>	<b>T</b>
Company	Product Range	Thread Types	Connection Type	Adaptor Structure	Thread Types	Connection Type
<b>DME</b>	Adaptor	ORFS UNF	Male	90° Elbow	ORFS UNF	Bulkhead Male



- DME&JDE Code:** DAOF5924T
- Product Type:** Hydraulic adaptor
- Standard:** ORFS
- Structure:** 90° Elbow
- Connection Type:** Male x Male
- Thread Types:** UNF x UNF
- Other Features:** Bulkhead



PART NUMBER	F1 (Thread)	F2 (Thread)	L1	L2	D1	D2	S	S1	Hex
#	UNF	UNF	mm	mm	mm	mm	-	-	-
DAOF5924T-0404	9/16"-18	9/16"-18	22.60	47.00	4.37	4.37	14 mm	22 mm	Metric
DAOF5924T-0404IN	9/16"-18	9/16"-18	22.60	47.00	4.37	4.37	9/16"	13/16"	Imperial
DAOF5924T-0606	11/16"-16	11/16"-16	26.00	52.00	6.50	6.50	19 mm	27 mm	Metric
DAOF5924T-0606IN	11/16"-16	11/16"-16	26.00	52.00	6.50	6.50	3/4"	1"	Imperial
DAOF5924T-0808	13/16"-16	13/16"-16	29.00	55.40	9.60	9.60	19 mm	30 mm	Metric
DAOF5924T-0808IN	13/16"-16	13/16"-16	29.00	55.40	9.60	9.60	3/4"	1-1/8"	Imperial
DAOF5924T-1010	1"-14	1"-14	34.50	63.00	12.50	12.50	27 mm	36 mm	Metric
DAOF5924T-1010IN	1"-14	1"-14	34.50	63.00	12.50	12.50	1-1/16"	1-5/16"	Imperial
DAOF5924T-1212	1-3/16"-12	1-3/16"-12	38.50	67.20	15.47	15.47	30 mm	41 mm	Metric
DAOF5924T-1212IN	1-3/16"-12	1-3/16"-12	38.50	67.20	15.47	15.47	1-3/16"	1-1/2"	Imperial
DAOF5924T-1616	1-7/16"-12	1-7/16"-12	42.40	71.10	20.60	20.60	36 mm	46 mm	Metric
DAOF5924T-1616IN	1-7/16"-12	1-7/16"-12	42.40	71.10	20.60	20.60	1-7/16"	1-3/4"	Imperial
DAOF5924T-2020	1-11/16"-12	1-11/16"-12	45.50	75.40	26.00	26.00	41 mm	50 mm	Metric
DAOF5924T-2020IN	1-11/16"-12	1-11/16"-12	45.50	75.40	26.00	26.00	1-5/8"	2"	Imperial
DAOF5924T-2424	2"-12	2"-12	49.50	79.50	32.00	32.00	50 mm	60 mm	Metric
DAOF5924T-2424IN	2"-12	2"-12	49.50	79.50	32.00	32.00	1-7/8"	2-3/8"	Imperial



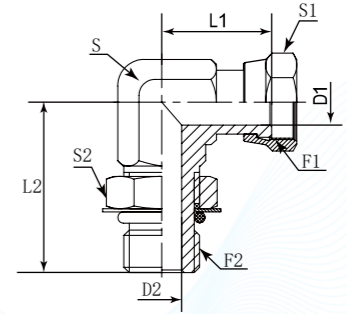
## DAOF19305

90° Adjustable Elbow ORFS Female Swivel - SAE Male O Ring

<b>D</b>	<b>A</b>	<b>OF</b>	<b>1</b>	<b>9</b>	<b>30</b>	<b>5</b>
Company	Product Range	Thread Types	Connection Type	Adaptor Structure	Thread Types	Connection Type
<b>DME</b>	Adaptor	ORFS UNF	Male	90° Elbow	SAE UNF	Male O Ring



- DME&JDE Code:** DAOF19305
- Product Type:** Hydraulic adaptor
- Standard:** ORFS
- Structure:** 90° Elbow
- Connection Type:** Swivel Female x Adjustable Male
- Thread Types:** ORFS UNF x SAE UNF + O Ring
- Sealing Method:** O Ring



PART NUMBER	F1 (Thread)	F2 (Thread)	L1	L2	D1	D2	S	S1	S2	Hex
#	UNF	UNF	mm	mm	mm	mm	-	-	-	-
DAOF19305-0404	9/16"-18	7/16"-20	26.41	32.80	4.19	4.37	14 mm	17 mm	17 mm	Metric
DAOF19305-0406	9/16"-18	9/16"-18	28.90	36.80	4.19	6.71	19 mm	17 mm	19 mm	Metric
DAOF19305-0404IN	9/16"-18	7/16"-20	26.41	32.80	4.19	4.37	9/16"	11/16"	5/8"	Imperial
DAOF19305-0406IN	9/16"-18	9/16"-18	28.90	36.80	4.19	6.71	3/4"	11/16"	3/4"	Imperial
DAOF19305-0606	11/16"-16	9/16"-18	31.00	36.80	6.71	6.71	19 mm	22 mm	19 mm	Metric
DAOF19305-0606IN	11/16"-16	9/16"-18	31.00	36.80	6.71	6.71	3/4"	13/16"	3/4"	Imperial
DAOF19305-0808	13/16"-16	3/4"-16	38.00	40.50	9.09	9.60	19 mm	24 mm	24 mm	Metric
DAOF19305-0808IN	13/16"-16	3/4"-16	38.00	40.50	9.09	9.60	3/4"	15/16"	15/16"	Imperial
DAOF19305-1010	1"-14	7/8"-14	41.20	50.00	11.51	12.50	27 mm	30 mm	27 mm	Metric
DAOF19305-1010IN	1"-14	7/8"-14	41.20	50.00	11.51	12.50	1-1/16"	1-1/8"	1-1/16"	Imperial
DAOF19305-1212	1-3/16"-12	1-1/16"-12	46.50	55.00	14.00	15.47	30 mm	36 mm	36 mm	Metric
DAOF19305-1212IN	1-3/16"-12	1-1/16"-12	46.50	55.00	14.00	15.47	1-3/16"	1-3/8"	1-3/8"	Imperial
DAOF19305-1616	1-7/16"-12	1-5/16"-12	53.50	59.50	20.00	21.50	36 mm	41 mm	41 mm	Metric
DAOF19305-1616IN	1-7/16"-12	1-5/16"-12	53.50	59.50	20.00	21.50	1-7/16"	1-5/8"	1-5/8"	Imperial
DAOF19305-2020	1-11/16"-12	1-5/8"-12	58.17	62.20	26.01	26.01	41 mm	50 mm	50 mm	Metric
DAOF19305-2020IN	1-11/16"-12	1-5/8"-12	58.17	62.20	26.01	26.01	1-5/8"	1-7/8"	1-7/8"	Imperial
DAOF19305-2424	2"-12	1-7/8"-12	58.80	66.00	32.00	32.00	50 mm	60 mm	55 mm	Metric
DAOF19305-2424IN	2"-12	1-7/8"-12	58.80	66.00	32.00	32.00	1-7/8"	2-1/4"	2-1/8"	Imperial





## DAOF1906Q

90° Adjustable Elbow ORFS Female Swivel - BSPP Male + O Ring + Retaining Ring

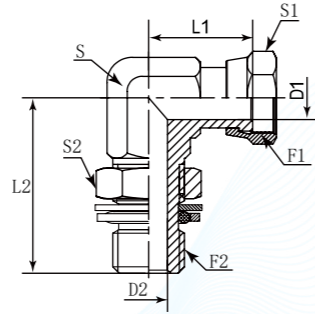
<b>D</b>	<b>A</b>	<b>OF</b>	<b>1</b>	<b>9</b>	<b>06</b>	<b>0</b>
Company	Product Range	Thread Types	Connection Type	Adaptor Structure	Thread Types	Connection Type
<b>DME</b>	Adaptor	ORFS UNF	Swivel Female	90° Elbow	BSPP	Male + O Ring + Retaining Ring

German Technology Equipment

**SHIELD FLEX**

New-Standard

- DME&JDE Code: DAOF1906Q
- Product Type: Hydraulic adaptor
- Standard: ORFS
- Structure: 90° Elbow
- Connection Type: Swivel Female x Adjustable Male
- Thread Types: UNF x BSPP
- Sealing Method: O Ring + Retaining Ring



PART NUMBER	F1 (Thread)	F2 (Thread)	D1	D2	L1	L2	S	S1	S2
#	UNF	BSPP	mm	mm	mm	mm	mm	mm	mm
DAOF1906Q-0404	9/16"-18	1/4"-19	4.19	7.50	26.41	35.00	14.00	17.46	19.00
DAOF1906Q-0606	11/16"-16	3/8"-19	6.71	9.90	29.21	38.00	19.00	20.62	22.00
DAOF1906Q-0808	13/16"-16	1/2"-14	9.09	12.30	38.00	48.00	22.00	23.81	27.00
DAOF1906Q-1212	1-3/16"-12	3/4"-14	13.89	15.50	46.30	51.50	30.00	34.93	36.00
DAOF1906Q-1616	1-7/16"-12	1"-11	19.89	21.50	53.34	58.00	36.00	41.28	41.00
DAOF1906Q-2020	1-11/16"-12	1-1/4"-11	26.01	27.50	58.17	60.50	41.00	47.60	50.00
DAOF1906Q-2424	2"-12	1-1/2"-11	32.00	33.00	61.20	64.50	48.00	57.15	55.00



## DAOF59251

90° Elbow ORFS Male - JIC Swivel Female 74°

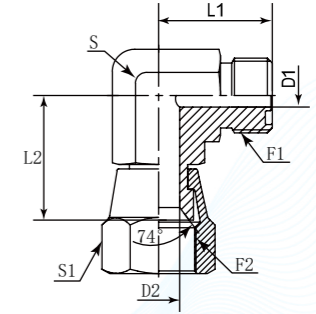
<b>D</b>	<b>A</b>	<b>OF</b>	<b>5</b>	<b>9</b>	<b>251</b>
Company	Product Range	Thread Types	Connection Type	Adaptor Structure	JIC Swivel Female
<b>DME</b>	Adaptor	ORFS UNF	Male	90° Elbow	JIC Swivel Female

German Technology Equipment

**SHIELD FLEX**

New-Standard

- DME&JDE Code: DAOF59251
- Product Type: Hydraulic adaptor
- Standard: ORFS
- Structure: 90° Elbow
- Connection Type: Male x Swivel Female
- Thread Types: ORFS UNF x JIC UNF 74°



PART NUMBER	F1 (Thread)	F2 (Thread)	D1	D2	L1	L2	S	S1	Hex
#	UNF	UNF	mm	mm	mm	mm	-	-	-
DAOF59251-0404	9/16"-18	7/16"-20	4.37	4.37	21.50	22.00	14 mm	14 mm	Metric
DAOF59251-0404IN	9/16"-18	7/16"-20	4.37	4.37	21.50	22.00	9/16"	9/16"	Imperial
DAOF59251-0606	11/16"-16	9/16"-18	6.71	7.54	25.00	23.90	19 mm	19 mm	Metric
DAOF59251-0606IN	11/16"-16	9/16"-18	6.71	7.54	25.00	23.90	3/4"	5/8"	Imperial
DAOF59251-0808	13/16"-16	3/4"-16	9.60	9.93	28.00	24.50	19 mm	22 mm	Metric
DAOF59251-0808IN	13/16"-16	3/4"-16	9.60	9.93	28.00	24.50	3/4"	7/8"	Imperial
DAOF59251-1212	1-3/16"-12	1-1/16"-12	15.50	15.47	37.50	32.00	30 mm	32 mm	Metric
DAOF59251-1212IN	1-3/16"-12	1-1/16"-12	15.50	15.47	37.50	32.00	1-1/4"	1-1/4"	Imperial
DAOF59251-1616	1-7/16"-12	1-5/16"-12	20.50	21.44	41.70	36.50	36 mm	41 mm	Metric
DAOF59251-1616IN	1-7/16"-12	1-5/16"-12	20.50	21.44	41.70	36.50	1-3/8"	1-1/2"	Imperial
DAOF59251-2020	1-11/16"-12	1-5/8"-12	26.00	27.42	44.70	42.80	41 mm	50 mm	Metric
DAOF59251-2020IN	1-11/16"-12	1-5/8"-12	26.00	27.42	44.70	42.80	1-1/2"	2"	Imperial
DAOF59251-2424	2"-12	1-7/8"-12	32.00	33.32	48.80	47.14	48 mm	60 mm	Metric
DAOF59251-2424IN	2"-12	1-7/8"-12	32.00	33.32	48.80	47.14	1-7/8"	2-1/4"	Imperial



## DAOF5930J

90° Adjustable Long Elbow ORFS Male - SAE Male O Ring

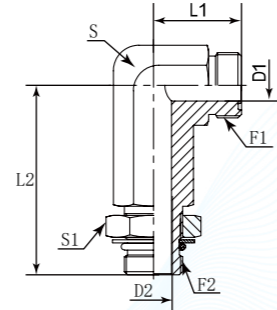
<b>D</b>	<b>A</b>	<b>OF</b>	<b>5</b>	<b>9</b>	<b>30</b>	<b>J</b>
Company	Product Range	Thread Types	Connection Type	Adaptor Structure	Thread Types	Connection Type
<b>DME</b>	Adaptor	ORFS UNF	Male	90° Elbow	SAE UNF	Male Long O Ring

German Technology Equipment

**SHIELD FLEX**

New-Standard

- DME&JDE Code: **DAOF5930J**
- Product Type: **Hydraulic adaptor**
- Standard: **ORFS**
- Structure: **90° Elbow**
- Connection Type: **Adjustable Male x Male**
- Thread Types: **ORFS UNF x SAE UNF**
- Sealing Method: **Long O Ring**



PART NUMBER	F1 (Thread)	F2 (Thread)	L1	L2	D1	D2	S	S1	Hex
#	UNF	UNF	mm	mm	mm	mm	-	-	-
DAOF5930J-0404	9/16"-18	7/16"-20	21.59	56.64	4.37	4.37	14 mm	17 mm	Metric
DAOF5930J-0404IN	9/16"-18	7/16"-20	21.59	56.64	4.37	4.37	9/16"	5/8"	Imperial
DAOF5930J-0606	11/16"-16	9/16"-18	25.00	66.30	6.71	6.71	19 mm	19 mm	Metric
DAOF5930J-0606IN	11/16"-16	9/16"-18	25.00	66.30	6.71	6.71	3/4"	3/4"	Imperial
DAOF5930J-0808	13/16"-16	3/4"-16	28.00	74.90	9.50	9.60	19 mm	24 mm	Metric
DAOF5930J-0808IN	13/16"-16	3/4"-16	28.00	74.90	9.50	9.60	3/4"	15/16"	Imperial
DAOF5930J-1010	1"-14	7/8"-14	33.30	89.20	12.29	12.29	27 mm	27 mm	Metric
DAOF5930J-1012	1"-14	1-1/16"-12	35.80	100.84	12.29	15.47	30 mm	36 mm	Metric
DAOF5930J-1010IN	1"-14	7/8"-14	33.30	89.20	12.29	12.29	1-1/16"	1-1/16"	Imperial
DAOF5930J-1012IN	1"-14	1-1/16"-12	35.80	100.84	12.29	15.47	1-3/16"	1-3/8"	Imperial
DAOF5930J-1212	1-3/16"-12	1-1/16"-12	37.30	100.84	15.47	15.47	30 mm	36 mm	Metric
DAOF5930J-1216	1-3/16"-12	1-5/16"-12	41.20	114.60	15.47	20.60	36 mm	41 mm	Metric
DAOF5930J-1212IN	1-3/16"-12	1-1/16"-12	37.30	100.84	15.47	15.47	1-3/16"	1-3/8"	Imperial
DAOF5930J-1216IN	1-3/16"-12	1-5/16"-12	41.20	114.60	15.47	20.60	1-7/16"	1-5/8"	Imperial
DAOF5930J-1616	1-7/16"-12	1-5/16"-12	41.70	114.60	20.60	20.60	36 mm	41 mm	Metric
DAOF5930J-1616IN	1-7/16"-12	1-5/16"-12	41.70	114.60	20.60	20.60	1-7/16"	1-5/8"	Imperial
DAOF5930J-2020	1-11/16"-12	1-5/8"-12	44.70	126.50	26.00	26.01	41 mm	50 mm	Metric
DAOF5930J-2020IN	1-11/16"-12	1-5/8"-12	44.70	126.50	26.00	26.01	1-5/8"	1-7/8"	Imperial
DAOF5930J-2424	2"-12	1-7/8"-12	48.80	139.20	32.00	32.00	50 mm	55 mm	Metric
DAOF5930J-2424IN	2"-12	1-7/8"-12	48.80	139.20	32.00	32.00	1-7/8"	2-1/8"	Imperial



## DAOF59305-LL

90° Adjustable X-Long Elbow ORFS Male - SAE Male O Ring

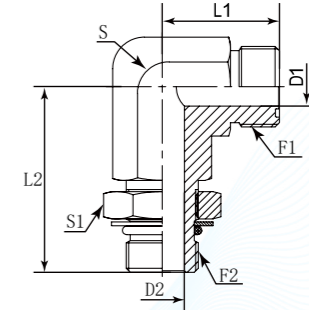
<b>D</b>	<b>A</b>	<b>OF</b>	<b>5</b>	<b>9</b>	<b>30</b>	<b>5</b>	<b>LL</b>
Company	Product Range	Thread Types	Connection Type	Adaptor Structure	Thread Types	Connection Type	X-Long
<b>DME</b>	Adaptor	ORFS UNF	Male	90° Elbow	SAE UNF	Male O Ring	

German Technology Equipment

**SHIELD FLEX**

New-Standard

- DME&JDE Code: **DAOF59305-LL**
- Product Type: **Hydraulic adaptor**
- Standard: **ORFS**
- Structure: **90° Elbow**
- Connection Type: **Adjustable Male x Male**
- Thread Types: **ORFS x SAE + X-Long O Ring**
- Sealing Method: **X-Long O Ring**



PART NUMBER	F1 (Thread)	F2 (Thread)	D1	D2	L1	L2	S	S1	S1
#	UNF	UNF	mm	mm	mm	mm	-	-	-
DAOF59305-LL-0404	9/16"-18	7/16"-20	4.37	4.37	21.59	71.00	14 mm	17 mm	Metric
DAOF59305-LL-0404IN	9/16"-18	7/16"-20	4.37	4.37	21.59	71.00	9/16"	5/8"	Imperial
DAOF59305-LL-0808	13/16"-16	3/4"-16	9.60	9.60	27.90	88.90	19 mm	24 mm	Metric
DAOF59305-LL-0808IN	13/16"-16	3/4"-16	9.60	9.60	27.90	88.90	3/4"	15/16"	Imperial
DAOF59305-LL-1212	1-3/16"-12	1-1/16"-12	15.50	15.50	37.50	114.30	32 mm	36 mm	Metric
DAOF59305-LL-1212IN	1-3/16"-12	1-1/16"-12	15.50	15.50	37.50	114.30	1-1/4"	1-3/8"	Imperial
DAOF59305-LL-1616	1-7/16"-12	1-5/16"-12	20.60	20.60	41.66	127.00	36 mm	36 mm	Metric
DAOF59305-LL-1616IN	1-7/16"-12	1-5/16"-12	20.60	20.60	41.66	127.00	1-3/8"	1-3/8"	Imperial
DAOF59305-LL-2020	1-11/16"-12	1-5/8"-12	26.00	27.50	44.50	140.00	41 mm	41 mm	Metric
DAOF59305-LL-2020IN	1-11/16"-12	1-5/8"-12	26.00	27.50	44.50	140.00	1-5/8"	1-5/8"	Imperial
DAOF59305-LL-2424	2"-11	1-7/8"-12	32.00	33.50	49.00	156.00	50 mm	55 mm	Metric
DAOF59305-LL-2424IN	2"-11	1-7/8"-12	32.00	33.50	49.00	156.00	1-7/8"	2-1/8"	Imperial



## DAOF5906Y

90° Adjustable Long Elbow ORFS Male - BSPP Male + O Ring + Retaining Ring

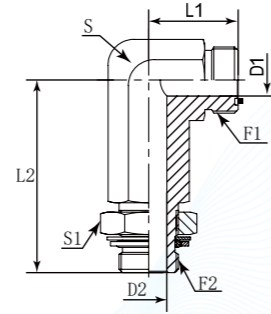
<b>D</b>	<b>A</b>	<b>OF</b>	<b>5</b>	<b>9</b>	<b>06</b>	<b>Y</b>
Company	Product Range	Thread Types	Connection Type	Adaptor Structure	Thread Types	Connection Type
<b>DME</b>	Adaptor	ORFS UNF	Male	90° Elbow	BSPP UNF	Male + Long O Ring + Retaining Ring

German Technology Equipment

**SHIELD FLEX**

New-Standard

- DME&JDE Code: DAOF5906Y
- Product Type: Hydraulic adaptor
- Standard: ORFS
- Structure: 90° Elbow
- Connection Type: Adjustable Male x Male
- Thread Types: UNF x BSPP
- Sealing Method: Long O Ring + Retaining Ring



PART NUMBER	F1 (Thread)	F2 (Thread)	L1	L2	D1	D2	S	S1
#	UNF	BSPP	mm	mm	mm	mm	mm	mm
DAOF5906Y-0404	9/16"-18	1/4"-19	23.50	59.00	4.37	7.50	14.00	19.00
DAOF5906Y-0406	9/16"-18	3/8"-19	25.00	62.00	4.37	9.90	19.00	22.00
DAOF5906Y-0606	11/16"-16	3/8"-19	26.50	67.00	6.71	9.90	19.00	22.00
DAOF5906Y-0608	11/16"-16	1/2"-14	29.50	77.00	6.71	12.30	22.00	27.00
DAOF5906Y-0806	13/16"-16	3/8"-19	28.00	73.00	9.60	9.90	19.00	22.00
DAOF5906Y-0808	13/16"-16	1/2"-14	31.00	82.00	9.60	12.30	22.00	27.00
DAOF5906Y-1008	1"-14	1/2"-14	33.50	87.00	12.29	12.30	27.00	27.00
DAOF5906Y-1012	1"-14	3/4"-14	36.00	90.00	12.29	15.50	27.00	32.00
DAOF5906Y-1212	1-3/16"-12	3/4"-14	37.50	97.00	15.47	15.50	30.00	32.00
DAOF5906Y-1216	1-3/16"-12	1"-11	41.50	104.00	15.47	21.50	36.00	41.00
DAOF5906Y-1616	1-7/16"-12	1"-11	42.00	112.00	20.60	21.50	36.00	41.00
DAOF5906Y-1620	1-7/16"-12	1-1/4"-11	45.00	114.00	20.60	27.50	41.00	50.00
DAOF5906Y-2020	1-11/16"-12	1-1/4"-11	45.00	124.00	26.00	27.50	41.00	50.00
DAOF5906Y-2024	1-11/16"-12	1-1/2"-11	49.00	128.00	26.00	33.00	48.00	55.00
DAOF5906Y-2424	2"-12	1-1/2"-11	49.00	137.00	32.00	33.00	48.00	55.00



## DAOF5906J

90° Adjustable Long Elbow ORFS Male - BSPP Male + O Ring

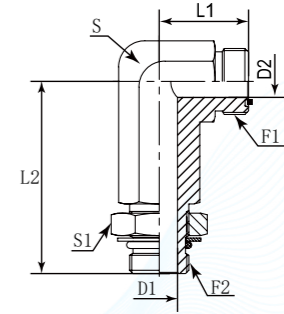
<b>D</b>	<b>A</b>	<b>OF</b>	<b>5</b>	<b>9</b>	<b>06</b>	<b>J</b>
Company	Product Range	Thread Types	Connection Type	Adaptor Structure	Thread Types	Connection Type
<b>DME</b>	Adaptor	ORFS UNF	Male	90° Elbow	BSPP	Male + O Ring

German Technology Equipment

**SHIELD FLEX**

New-Standard

- DME&JDE Code: DAOF5906J
- Product Type: Hydraulic adaptor
- Standard: ORFS
- Structure: 90° Elbow
- Connection Type: Adjustable Male x Male
- Thread Types: UNF x BSPP
- Sealing Method: Long O Ring



PART NUMBER	F1 (Thread)	F2 (Thread)	L1	L2	D1	D2	S	S1
#	UNF	BSPP	mm	mm	mm	mm	mm	mm
DAOF5906J-0404	9/16"-18	1/4"-19	23.50	59.00	4.37	7.50	14.00	19.00
DAOF5906J-0406	9/16"-18	3/8"-19	25.00	62.00	4.37	9.90	19.00	22.00
DAOF5906J-0606	11/16"-16	3/8"-19	26.50	67.00	6.71	9.90	19.00	22.00
DAOF5906J-0608	11/16"-16	1/2"-14	29.50	77.00	6.71	12.30	22.00	27.00
DAOF5906J-0806	13/16"-16	3/8"-19	28.00	73.00	9.60	9.90	19.00	22.00
DAOF5906J-0808	13/16"-16	1/2"-14	31.00	82.00	9.60	12.30	22.00	27.00
DAOF5906J-1008	1"-14	1/2"-14	33.50	87.00	12.29	12.30	27.00	27.00
DAOF5906J-1012	1"-14	3/4"-14	36.00	90.00	12.29	15.50	27.00	32.00
DAOF5906J-1212	1-3/16"-12	3/4"-14	37.50	97.00	15.47	15.50	30.00	32.00
DAOF5906J-1216	1-3/16"-12	1"-11	41.50	104.00	15.47	21.50	36.00	41.00
DAOF5906J-1616	1-7/16"-12	1"-11	42.00	112.00	20.60	21.50	36.00	41.00
DAOF5906J-1620	1-7/16"-12	1-1/4"-11	45.00	114.00	20.60	27.50	41.00	50.00
DAOF5906J-2020	1-11/16"-12	1-1/4"-11	45.00	124.00	26.00	27.50	41.00	50.00
DAOF5906J-2024	1-11/16"-12	1-1/2"-11	49.00	128.00	26.00	33.00	48.00	55.00
DAOF5906J-2424	2"-12	1-1/2"-11	49.00	137.00	32.00	33.00	48.00	55.00





## DAOF5952Y

90° Adjustable Long Elbow ORFS Male - Metric Male + O Ring + Retaining Ring

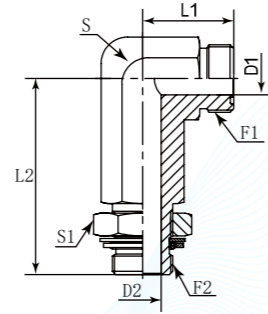
<b>D</b>	<b>A</b>	<b>OF</b>	<b>5</b>	<b>9</b>	<b>06</b>	<b>Y</b>
Company	Product Range	Thread Types	Connection Type	Adaptor Structure	Thread Types	Connection Type
<b>DME</b>	Adaptor	ORFS UNF	Male	90° Elbow	Metric	Male + Long O Ring + Retaining Ring

German Technology Equipment

**SHIELD FLEX**

New-Standard

- DME&JDE Code: DAOF5952Y
- Product Type: Hydraulic adaptor
- Standard: ORFS
- Structure: 90° Elbow
- Connection Type: Adjustable Male x Male
- Thread Types: UNF x Metric
- Sealing Method: Long O Ring + Retaining Ring



PART NUMBER	F1 (Thread)	F2 (Thread)	L1	L2	D1	D2	S	S1
#	UNF	Metric	mm	mm	mm	mm	mm	mm
DAOF5952Y-0412	9/16"-18	M12X1.5	21.50	56.50	4.37	4.37	14.00	17.00
DAOF5952Y-0616	11/16"-16	M16X1.5	25.00	67.00	6.71	7.00	19.00	22.00
DAOF5952Y-0818	13/16"-16	M18X1.5	28.00	75.00	9.60	9.00	19.00	24.00
DAOF5952Y-1022	1"-14	M22X1.5	33.50	89.00	12.29	12.00	27.00	27.00
DAOF5952Y-1227	1-3/16"-12	M27X2	37.50	100.00	15.47	15.00	30.00	32.00
DAOF5952Y-1633	1-7/16"-12	M33X2	42.00	113.00	20.60	20.00	36.00	41.00
DAOF5952Y-2042	1-11/16"-12	M42X2	45.00	125.00	26.00	26.00	41.00	50.00
DAOF5952Y-2448	2"-12	M48X2	49.00	139.00	32.00	32.00	48.00	55.00

## DAOF5952J

90° Adjustable Long Elbow ORFS Male - Metric Male + O Ring

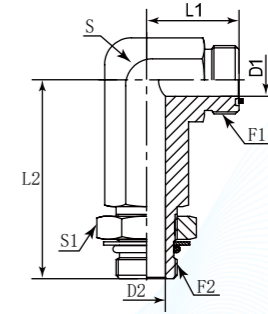
<b>D</b>	<b>A</b>	<b>OF</b>	<b>5</b>	<b>9</b>	<b>52</b>	<b>J</b>
Company	Product Range	Thread Types	Connection Type	Adaptor Structure	Thread Types	Connection Type
<b>DME</b>	Adaptor	ORFS UNF	Male	90° Elbow	Metric	Male Long O Ring

German Technology Equipment

**SHIELD FLEX**

New-Standard

- DME&JDE Code: DAOF5952J
- Product Type: Hydraulic adaptor
- Standard: ORFS
- Structure: 90° Elbow
- Connection Type: Adjustable Male x Male
- Thread Types: UNF x Metric
- Sealing Method: Long O Ring



PART NUMBER	F1 (Thread)	F2 (Thread)	L1	L2	D1	D2	S	S1
#	UNF	Metric	mm	mm	mm	mm	mm	mm
DAOF5952J-0412	9/16"-18	M12X1.5	21.50	56.50	4.37	4.37	14.00	17.00
DAOF5952J-0616	11/16"-16	M16X1.5	25.00	67.00	6.71	7.00	19.00	22.00
DAOF5952J-0818	13/16"-16	M18X1.5	28.00	75.00	9.60	9.00	19.00	24.00
DAOF5952J-1022	1"-14	M22X1.5	33.50	89.00	12.29	12.00	27.00	27.00
DAOF5952J-1227	1-3/16"-12	M27X2	37.50	100.00	15.47	15.00	30.00	32.00
DAOF5952J-1633	1-7/16"-12	M33X2	42.00	113.00	20.60	20.00	36.00	41.00
DAOF5952J-2042	1-11/16"-12	M42X2	45.00	125.00	26.00	26.00	41.00	50.00
DAOF5952J-2448	2"-12	M48X2	49.00	139.00	32.00	32.00	48.00	55.00



# DAOF5T245

Tee Connector ORFS Male

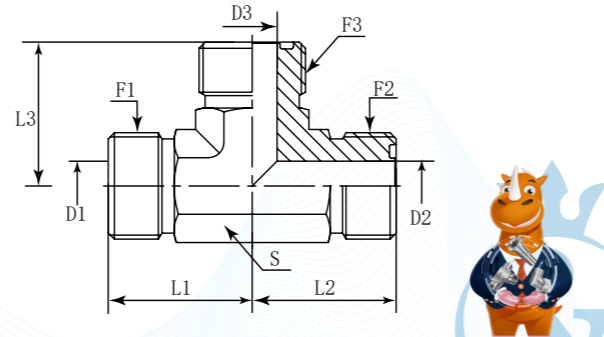
<b>D</b>	<b>A</b>	<b>OF</b>	<b>5</b>	<b>T</b>	<b>24</b>	<b>5</b>
Company	Product Range	Thread Types	Sealing Type	Adaptor Structure	Thread Types	Connection Type
<b>DME</b>	Adaptor	ORFS UNF	Male	Branch Tee	ORFS	Male+O Ring

German Technology Equipment

SHIELD FLEX

New-Standard

- DME&JDE Code: DAOF5T245
- Product Type: Hydraulic adaptor
- Standard: ORFS
- Structure: Tee
- Connection Type: Male x Male x Male
- Thread Types: UNF x UNF x UNF
- Sealing Method: O Ring



PART NUMBER	F1 (Thread)	F2 (Thread)	F3 (Thread)	L1	L2	L3	D1	D2	D3	S	Hex
#	UNF	UNF	UNF	mm	mm	mm	mm	mm	mm	-	-
DAOF5T245-0404	9/16"-18	9/16"-18	9/16"-18	21.60	21.60	21.60	4.37	4.37	4.37	14 mm	Metric
DAOF5T245-0404IN	9/16"-18	9/16"-18	9/16"-18	21.60	21.60	21.60	4.37	4.37	4.37	9/16"	Imperial
DAOF5T245-0606	11/16"-16	11/16"-16	11/16"-16	25.00	25.00	25.00	6.71	6.71	6.71	19 mm	Metric
DAOF5T245-060608	11/16"-16	11/16"-16	13/16"-16	26.50	26.50	28.00	6.50	6.50	9.60	19 mm	Metric
DAOF5T245-060806	11/16"-16	13/16"-16	11/16"-16	24.89	27.90	24.89	6.50	9.50	6.50	19 mm	Metric
DAOF5T245-060808	11/16"-16	13/16"-16	13/16"-16	26.30	27.90	27.90	6.71	9.60	9.60	19 mm	Metric
DAOF5T245-0606IN	11/16"-16	11/16"-16	11/16"-16	25.00	25.00	25.00	6.71	6.71	6.71	3/4"	Imperial
DAOF5T245-060608IN	11/16"-16	11/16"-16	13/16"-16	26.50	26.50	28.00	6.50	6.50	9.60	3/4"	Imperial
DAOF5T245-060806IN	11/16"-16	13/16"-16	11/16"-16	24.89	27.90	24.89	6.50	9.50	6.50	3/4"	Imperial
DAOF5T245-060808IN	11/16"-16	13/16"-16	13/16"-16	26.30	27.90	27.90	6.71	9.60	9.60	3/4"	Imperial
DAOF5T245-0808	13/16"-16	13/16"-16	13/16"-16	28.00	28.00	28.00	9.60	9.60	9.60	19 mm	Metric
DAOF5T245-080810	13/16"-16	13/16"-16	1"-14	30.73	30.73	33.30	9.60	9.60	12.29	27 mm	Metric
DAOF5T245-0808IN	13/16"-16	13/16"-16	13/16"-16	28.00	28.00	28.00	9.60	9.60	9.60	3/4"	Imperial
DAOF5T245-080810IN	13/16"-16	13/16"-16	1"-14	30.73	30.73	33.30	9.60	9.60	12.29	1-1/16"	Imperial
DAOF5T245-1010	1"-14	1"-14	1"-14	33.50	33.50	33.50	12.50	12.50	12.50	27 mm	Metric
DAOF5T245-101012	1"-14	1"-14	1-3/16"-12	35.81	35.81	37.34	12.50	12.50	15.50	30 mm	Metric
DAOF5T245-1010IN	1"-14	1"-14	1"-14	33.50	33.50	33.50	12.50	12.50	12.50	1-1/16"	Imperial
DAOF5T245-101012IN	1"-14	1"-14	1-3/16"-12	35.81	35.81	37.34	12.50	12.50	15.50	1-3/16"	Imperial
DAOF5T245-121208	1-3/16"-12	1-3/16"-12	13/16"-16	37.30	37.30	34.30	15.47	15.47	9.60	30 mm	Metric
DAOF5T245-1212	1-3/16"-12	1-3/16"-12	1-3/16"-12	37.50	37.50	37.50	15.50	15.50	15.50	30 mm	Metric
DAOF5T245-121216	1-3/16"-12	1-3/16"-12	1-7/16"-12	41.10	41.10	41.60	15.47	15.47	20.60	36 mm	Metric
DAOF5T245-121208IN	1-3/16"-12	1-3/16"-12	13/16"-16	37.30	37.30	34.30	15.47	15.47	9.60	1-3/16"	Imperial
DAOF5T245-1212IN	1-3/16"-12	1-3/16"-12	1-3/16"-12	37.50	37.50	37.50	15.50	15.50	15.50	1-3/16"	Imperial
DAOF5T245-121216IN	1-3/16"-12	1-3/16"-12	1-7/16"-12	41.10	41.10	41.60	15.47	15.47	20.60	1-7/16"	Imperial
DAOF5T245-1616	1-7/16"-12	1-7/16"-12	1-7/16"-12	41.50	41.50	41.50	20.50	20.50	20.50	36 mm	Metric
DAOF5T245-1616IN	1-7/16"-12	1-7/16"-12	1-7/16"-12	41.50	41.50	41.50	20.50	20.50	20.50	1-7/16"	Imperial
DAOF5T245-202016	1-11/16"-12	1-11/16"-12	1-7/16"-12	44.70	44.70	44.70	26.00	26.00	20.50	41 mm	Metric
DAOF5T245-2020	1-11/16"-12	1-11/16"-12	1-11/16"-12	44.70	44.70	44.70	26.00	26.00	26.00	41 mm	Metric
DAOF5T245-202016IN	1-11/16"-12	1-11/16"-12	1-7/16"-12	44.70	44.70	44.70	26.00	26.00	20.50	1-5/8"	Imperial
DAOF5T245-2020IN	1-11/16"-12	1-11/16"-12	1-11/16"-12	44.70	44.70	44.70	26.00	26.00	26.00	1-5/8"	Imperial
DAOF5T245-2424	2"-12	2"-12	2"-12	48.80	48.80	48.80	32.00	32.00	32.00	48 mm	Metric
DAOF5T245-2424IN	2"-12	2"-12	2"-12	48.80	48.80	48.80	32.00	32.00	32.00	1-7/8"	Imperial
DAOF5T245-3232	2-1/2"-12	2-1/2"-12	2-1/2"-12	63.30	63.30	63.30	45.00	45.00	45.00	63 mm	Metric
DAOF5T245-3232IN	2-1/2"-12	2-1/2"-12	2-1/2"-12	63.30	63.30	63.30	45.00	45.00	45.00	2-1/2"	Imperial

# DAOF5T28M

Branch Tee Connector ORFS Male - NPTF Male

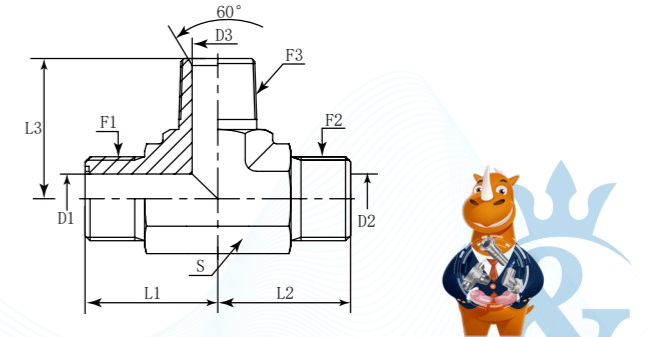
<b>D</b>	<b>A</b>	<b>OF</b>	<b>5</b>	<b>T</b>	<b>28</b>	<b>M</b>
Company	Product Range	Thread Types	Connection Type	Adaptor Structure	Thread Types	Connection Type
<b>DME</b>	Adaptor	ORFS UNF	Male	Branch Tee	NPTF	Male

German Technology Equipment

SHIELD FLEX

New-Standard

- DME&JDE Code: DAOF5T28M
- Product Type: Hydraulic adaptor
- Standard: ORFS
- Structure: Branch Tee
- Connection Type: Male x Male x Male
- Thread Types: UNF x UNF x NPTF



PART NUMBER	F1 (Thread)	F2 (Thread)	F3 (Thread)	L1	L2	L3	D1	D2	D3	S	Hex
#	UNF	UNF	NPTF	mm	mm	mm	mm	mm	mm	-	-
DAOF5T28M-0402	9/16"-18	9/16"-18	1/8"-27	21.60	21.60	19.80	4.37	4.37	4.78	14 mm	Metric
DAOF5T28M-0404	9/16"-18	9/16"-18	1/4"-18	21.60	21.60	28.45	4.37	4.37	7.14	14 mm	Metric
DAOF5T28M-0402IN	9/16"-18	9/16"-18	1/8"-27	21.60	21.60	19.80	4.37	4.37	4.78	9/16"	Imperial
DAOF5T28M-0404IN	9/16"-18	9/16"-18	1/4"-18	21.60	21.60	28.45	4.37	4.37	7.14	9/16"	Imperial
DAOF5T28M-0604	11/16"-16	11/16"-16	1/4"-18	24.90	24.90	27.70	6.71	6.71	7.14	19 mm	Metric
DAOF5T28M-0606	11/16"-16	11/16"-16	3/8"-18	24.90	24.90	31.00	6.71	6.71	10.31	19 mm	Metric
DAOF5T28M-0604IN	11/16"-16	11/16"-16	1/4"-18	24.90	24.90	27.70	6.71	6.71	7.14	3/4"	Imperial
DAOF5T28M-0606IN	11/16"-16	11/16"-16	3/8"-18	24.90	24.90	31.00	6.71	6.71	10.31	3/4"	Imperial
DAOF5T28M-0806	13/16"-16	13/16"-16	3/8"-18	27.90	27.90	31.00	9.60	9.60	10.31	19 mm	Metric
DAOF5T28M-0808	13/16"-16	13/16"-16	1/2"-14	27.90	27.90	37.30	9.60	9.60	13.49	22 mm	Metric
DAOF5T28M-0806IN	13/16"-16	13/16"-16	3/8"-18	27.90	27.90	31.00	9.60	9.60	10.31	3/4"	Imperial
DAOF5T28M-0808IN	13/16"-16	13/16"-16	1/2"-14	27.90	27.90	37.30	9.60	9.60	13.49	7/8"	Imperial
DAOF5T28M-1008	1"-14	1"-14	1/2"-14	33.30	33.30	37.30	12.29	12.29	13.49	27 mm	Metric
DAOF5T28M-1008IN	1"-14	1"-14	1/2"-14	33.30	33.30	37.30	12.29	12.29	13.49	1-1/16"	Imperial
DAOF5T28M-1208	1-3/16"-12	1-3/16"-12	1/2"-14	37.30	37.30	40.40	15.47	15.47	13.49	30 mm	Metric
DAOF5T28M-1212	1-3/16"-12	1-3/16"-12	3/4"-14	37.30	37.30	40.40	15.47	15.47	18.26	30 mm	Metric
DAOF5T28M-1208IN	1-3/16"-12	1-3/16"-12	1/2"-14	37.30	37.30	40.40	15.47	15.47	13.49	1-3/16"	Imperial
DAOF5T28M-1212IN	1-3/16"-12	1-3/16"-12	3/4"-14	37.30	37.30	40.40	15.47	15.47	18.26	1-3/16"	Imperial
DAOF5T28M-1616	1-7/16"-12	1-7/16"-12	1"-11-1/2	41.70	41.70	50.00	20.60	20.60	23.83	36 mm	Metric
DAOF5T28M-1616IN	1-7/16"-12	1-7/16"-12	1"-11-1/2	41.70	41.70	50.00	20.60	20.60	23.83	1-7/16"	Imperial
DAOF5T28M-2020	1-11/16"-12	1-11/16"-12	1-1/4"-11-1/2	44.70	44.70	60.50	26.00	26.00	31.75	41 mm	Metric
DAOF5T28M-2020IN	1-11/16"-12	1-11/16"-12	1-1/4"-11-1/2	44.70	44.70	60.50	26.00	26.00	31.75	1-5/8"	Imperial
DAOF5T28M-2424	2"-12	2"-12	1-1/2"-11-1/2	48.80	48.80	67.00	32.00	32.00	38.10	48 mm	Metric
DAOF5T28M-2424IN	2"-12	2"-12	1-1/2"-11-1/2	48.80	48.80	67.00	32.00	32.00	38.10	1-7/8"	Imperial



# DAOF5T241

Branch Tee Connector ORFS Male - ORFS Swivel Female

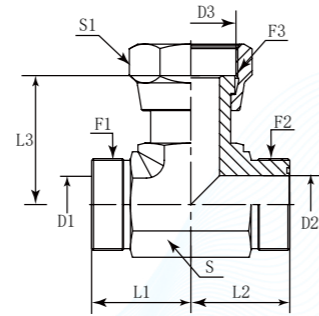
<b>D</b>	<b>A</b>	<b>OF</b>	<b>5</b>	<b>T</b>	<b>241</b>
Company	Product Range	Thread Types	Sealing Type	Adaptor Structure	Connection Type
<b>DME</b>	Adaptor	ORFS UNF	Male	Branch Tee	ORFS Swivel Female

German Technology Equipment

**SHIELD FLEX**

New-Standard

- DME&JDE Code: **DAOF5T241**
- Product Type: **Hydraulic adaptor**
- Standard: **ORFS**
- Structure: **Tee**
- Connection Type: **Male x Male x Swivel Female**
- Thread Types: **UNF x UNF x UNF**



PART NUMBER	F1 (Thread)	F2 (Thread)	F3 (Thread)	L1	L2	L3	D1	D2	D3	S	S1	Hex
#	UNF	UNF	UNF	mm	mm	mm	mm	mm	mm	-	-	-
DAOF5T241-0404	9/16"-18	9/16"-18	9/16"-18	21.59	21.59	26.40	4.37	4.37	4.19	14 mm	17 mm	Metric
DAOF5T241-0404IN	9/16"-18	9/16"-18	9/16"-18	21.59	21.59	26.40	4.37	4.37	4.19	9/16"	11/16"	Imperial
DAOF5T241-0606	11/16"-16	11/16"-16	11/16"-16	24.89	24.89	29.21	6.71	6.71	6.71	19 mm	22 mm	Metric
DAOF5T241-0606IN	11/16"-16	11/16"-16	11/16"-16	24.89	24.89	29.21	6.71	6.71	6.71	3/4"	13/16"	Imperial
DAOF5T241-0808	13/16"-16	13/16"-16	13/16"-16	28.00	28.00	38.00	9.60	9.60	9.09	19 mm	24 mm	Metric
DAOF5T241-0808IN	13/16"-16	13/16"-16	13/16"-16	28.00	28.00	38.00	9.60	9.60	9.09	3/4"	15/16"	Imperial
DAOF5T241-1010	1"-14	1"-14	1"-14	33.27	33.27	41.20	12.29	12.29	11.51	27 mm	30 mm	Metric
DAOF5T241-1010IN	1"-14	1"-14	1"-14	33.27	33.27	41.20	12.29	12.29	11.51	1-1/16"	1-1/8"	Imperial
DAOF5T241-1212	1-3/16"-12	1-3/16"-12	1-3/16"-12	37.30	37.30	46.30	15.47	15.47	13.89	30 mm	36 mm	Metric
DAOF5T241-1212IN	1-3/16"-12	1-3/16"-12	1-3/16"-12	37.30	37.30	46.30	15.47	15.47	13.89	1-3/16"	1-3/8"	Imperial
DAOF5T241-1616	1-7/16"-12	1-7/16"-12	1-7/16"-12	41.50	41.50	53.50	20.50	20.50	20.00	36 mm	41 mm	Metric
DAOF5T241-1616IN	1-7/16"-12	1-7/16"-12	1-7/16"-12	41.50	41.50	53.50	20.50	20.50	20.00	1-7/16"	1-5/8"	Imperial
DAOF5T241-2020	1-11/16"-12	1-11/16"-12	1-11/16"-12	44.50	44.50	58.00	26.00	26.00	26.01	41 mm	50 mm	Metric
DAOF5T241-2020IN	1-11/16"-12	1-11/16"-12	1-11/16"-12	44.50	44.50	58.00	26.00	26.00	26.01	1-5/8"	1-7/8"	Imperial
DAOF5T241-2424	2"-12	2"-12	2"-12	48.80	48.80	61.21	32.00	32.00	32.00	50 mm	60 mm	Metric
DAOF5T241-2424IN	2"-12	2"-12	2"-12	48.80	48.80	61.21	32.00	32.00	32.00	1-7/8"	2-1/4"	Imperial



# DAOF5T24T

Branch Tee Bulkhead Connector ORFS Male - ORFS Male

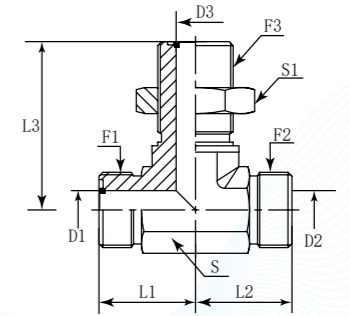
<b>D</b>	<b>A</b>	<b>OF</b>	<b>5</b>	<b>T</b>	<b>24</b>	<b>T</b>
Company	Product Range	Thread Types	Connection Type	Adaptor Structure	Thread Types	Connection Type
<b>DME</b>	Adaptor	ORFS UNF	Male	Branch Tee	ORFS UNF	Bulkhead Male

German Technology Equipment

**SHIELD FLEX**

New-Standard

- DME&JDE Code: **DAOF5T24T**
- Product Type: **Hydraulic adaptor**
- Standard: **ORFS**
- Structure: **Branch Tee**
- Connection Type: **Male x Male x Male**
- Thread Types: **UNF x UNF x UNF**
- Other Features: **Bulkhead**



PART NUMBER	F1 (Thread)	F2 (Thread)	F3 (Thread)	L1	L2	L3	D1	D2	D3	S	S1	Hex
#	UNF	UNF	UNF	mm	mm	mm	mm	mm	mm	-	-	-
DAOF5T24T-0404	9/16"-18	9/16"-18	9/16"-18	22.60	22.60	47.00	4.37	4.37	4.37	14 mm	22 mm	Metric
DAOF5T24T-0404IN	9/16"-18	9/16"-18	9/16"-18	22.60	22.60	47.00	4.37	4.37	4.37	9/16"	13/16"	Imperial
DAOF5T24T-0606	11/16"-16	11/16"-16	11/16"-16	26.00	26.00	52.00	6.71	6.71	6.71	19 mm	27 mm	Metric
DAOF5T24T-0606IN	11/16"-16	11/16"-16	11/16"-16	26.00	26.00	52.00	6.71	6.71	6.71	3/4"	1"	Imperial
DAOF5T24T-0808	13/16"-16	13/16"-16	13/16"-16	29.00	29.00	55.40	9.60	9.60	9.60	19 mm	30 mm	Metric
DAOF5T24T-0808IN	13/16"-16	13/16"-16	13/16"-16	29.00	29.00	55.40	9.60	9.60	9.60	3/4"	1-1/8"	Imperial
DAOF5T24T-1010	1"-14	1"-14	1"-14	34.50	34.50	63.00	12.29	12.29	12.29	27 mm	36 mm	Metric
DAOF5T24T-1010IN	1"-14	1"-14	1"-14	34.50	34.50	63.00	12.29	12.29	12.29	1-1/16"	1-5/16"	Imperial
DAOF5T24T-1212	1-3/16"-12	1-3/16"-12	1-3/16"-12	38.50	38.50	67.20	15.47	15.47	15.47	30 mm	41 mm	Metric
DAOF5T24T-1212IN	1-3/16"-12	1-3/16"-12	1-3/16"-12	38.50	38.50	67.20	15.47	15.47	15.47	1-3/16"	1-1/2"	Imperial
DAOF5T24T-1616	1-7/16"-12	1-7/16"-12	1-7/16"-12	42.40	42.40	71.10	20.60	20.60	20.60	36 mm	46 mm	Metric
DAOF5T24T-1616IN	1-7/16"-12	1-7/16"-12	1-7/16"-12	42.40	42.40	71.10	20.60	20.60	20.60	1-7/16"	1-3/4"	Imperial
DAOF5T24T-2020	1-11/16"-12	1-11/16"-12	1-11/16"-12	45.50	45.50	75.40	26.00	26.00	26.00	41 mm	50 mm	Metric
DAOF5T24T-2020IN	1-11/16"-12	1-11/16"-12	1-11/16"-12	45.50	45.50	75.40	26.00	26.00	26.00	1-5/8"	2"	Imperial
DAOF5T24T-2424	2"-12	2"-12	2"-12	49.50	49.50	79.50	32.00	32.00	32.00	48 mm	60 mm	Metric
DAOF5T24T-2424IN	2"-12	2"-12	2"-12	49.50	49.50	79.50	32.00	32.00	32.00	1-7/8"	2-3/8"	Imperial





# DAOF5T305

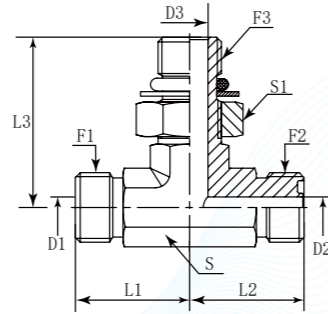
Branch Adjustable Tee ORFS Male - SAE Male O Ring

<b>D</b>	<b>A</b>	<b>OF</b>	<b>5</b>	<b>T</b>	<b>30</b>	<b>5</b>
Company	Product Range	Thread Types	Sealing Type	Adaptor Structure	Thread Types	Connection Type
<b>DME</b>	Adaptor	ORFS UNF	Male	Branch Tee	SAE UNF	Male O Ring

German Technology Equipment

New-Standard

- DME&JDE Code: **DAOF5T305**
- Product Type: **Hydraulic adaptor**
- Standard: **ORFS**
- Structure: **Branch Tee**
- Connection Type: **Adjustable Male x Male x Male**
- Thread Types: **ORFS UNF x ORFS UNF x SAE UNF + O Ring**
- Sealing Method: **O Ring**



PART NUMBER	F1 (Thread)	F2 (Thread)	F3 (Thread)	L1	L2	L3	D1	D2	D3	S	S1	Hex
#	UNF	UNF	UNF	mm	mm	mm	mm	mm	mm	-	-	-
DAOF5T305-0404	9/16"-18	9/16"-18	7/16"-20	21.60	21.60	32.80	4.37	4.37	4.37	14 mm	17 mm	Metric
DAOF5T305-0406	9/16"-18	9/16"-18	9/16"-18	23.40	23.40	36.80	4.37	4.37	6.71	19 mm	19 mm	Metric
DAOF5T305-0404IN	9/16"-18	9/16"-18	7/16"-20	21.60	21.60	32.80	4.37	4.37	4.37	9/16"	5/8"	Imperial
DAOF5T305-0406IN	9/16"-18	9/16"-18	9/16"-18	23.40	23.40	36.80	4.37	4.37	6.71	3/4"	3/4"	Imperial
DAOF5T305-0604	11/16"-16	11/16"-16	7/16"-20	24.90	24.90	34.80	6.71	6.71	4.37	19 mm	17 mm	Metric
DAOF5T305-0606	11/16"-16	11/16"-16	9/16"-18	24.90	24.90	36.80	6.71	6.71	6.71	19 mm	19 mm	Metric
DAOF5T305-0608	11/16"-16	11/16"-16	3/4"-16	26.40	26.40	40.60	6.71	6.71	9.60	19 mm	24 mm	Metric
DAOF5T305-0604IN	11/16"-16	11/16"-16	7/16"-20	24.90	24.90	34.80	6.71	6.71	4.37	3/4"	5/8"	Imperial
DAOF5T305-0606IN	11/16"-16	11/16"-16	9/16"-18	24.90	24.90	36.80	6.71	6.71	6.71	3/4"	3/4"	Imperial
DAOF5T305-0608IN	11/16"-16	11/16"-16	3/4"-16	26.40	26.40	40.60	6.71	6.71	9.60	3/4"	15/16"	Imperial
DAOF5T305-0806	13/16"-16	13/16"-16	9/16"-18	28.00	28.00	36.60	9.60	9.60	6.71	19 mm	19 mm	Metric
DAOF5T305-0808	13/16"-16	13/16"-16	3/4"-16	27.94	27.94	40.60	9.60	9.60	9.60	19 mm	24 mm	Metric
DAOF5T305-0806IN	13/16"-16	13/16"-16	9/16"-18	28.00	28.00	36.60	9.60	9.60	6.71	3/4"	3/4"	Imperial
DAOF5T305-0808IN	13/16"-16	13/16"-16	3/4"-16	27.94	27.94	40.60	9.60	9.60	9.60	3/4"	15/16"	Imperial
DAOF5T305-1008	1"-14	1"-14	3/4"-16	33.30	33.30	46.00	12.29	12.29	9.60	27 mm	24 mm	Metric
DAOF5T305-1010	1"-14	1"-14	7/8"-14	33.30	33.30	50.00	12.29	12.29	12.29	27 mm	27 mm	Metric
DAOF5T305-1008IN	1"-14	1"-14	3/4"-16	33.30	33.30	46.00	12.29	12.29	9.60	1-1/16"	15/16"	Imperial
DAOF5T305-1010IN	1"-14	1"-14	7/8"-14	33.30	33.30	50.00	12.29	12.29	12.29	1-1/16"	1-1/16"	Imperial
DAOF5T305-1210	1-3/16"-12	1-3/16"-12	7/8"-14	37.30	37.30	51.10	15.50	15.50	12.50	30 mm	27 mm	Metric
DAOF5T305-1212	1-3/16"-12	1-3/16"-12	1-1/16"-12	37.30	37.30	55.10	15.47	15.47	15.47	30 mm	36 mm	Metric
DAOF5T305-1216	1-3/16"-12	1-3/16"-12	1-5/16"-12	41.20	41.20	59.70	15.47	15.47	20.60	36 mm	41 mm	Metric
DAOF5T305-1210IN	1-3/16"-12	1-3/16"-12	7/8"-14	37.30	37.30	51.10	15.50	15.50	12.50	1-3/16"	1-1/16"	Imperial
DAOF5T305-1212IN	1-3/16"-12	1-3/16"-12	1-1/16"-12	37.30	37.30	55.10	15.47	15.47	15.47	1-3/16"	1-3/8"	Imperial
DAOF5T305-1216IN	1-3/16"-12	1-3/16"-12	1-5/16"-12	41.20	41.20	59.70	15.47	15.47	20.60	1-7/16"	1-5/8"	Imperial
DAOF5T305-1612	1-7/16"-12	1-7/16"-12	1-1/16"-12	41.70	41.70	58.50	20.60	20.60	15.47	36 mm	36 mm	Metric
DAOF5T305-1616	1-7/16"-12	1-7/16"-12	1-5/16"-12	41.50	41.50	59.70	20.50	20.50	21.50	36 mm	41 mm	Metric
DAOF5T305-1620	1-7/16"-12	1-7/16"-12	1-5/8"-12	44.70	44.70	62.20	20.50	20.50	26.00	41 mm	50 mm	Metric
DAOF5T305-1612IN	1-7/16"-12	1-7/16"-12	1-1/16"-12	41.70	41.70	58.50	20.60	20.60	15.47	1-7/16"	1-3/8"	Imperial
DAOF5T305-1616IN	1-7/16"-12	1-7/16"-12	1-5/16"-12	41.50	41.50	59.70	20.50	20.50	21.50	1-7/16"	1-5/8"	Imperial
DAOF5T305-1620IN	1-7/16"-12	1-7/16"-12	1-5/8"-12	44.70	44.70	62.20	20.50	20.50	26.00	1-7/8"	1-7/8"	Imperial
DAOF5T305-2016	1-11/16"-12	1-11/16"-12	1-5/16"-12	44.70	44.70	62.20	26.00	26.00	20.60	41 mm	41 mm	Metric
DAOF5T305-2020	1-11/16"-12	1-11/16"-12	1-5/8"-12	44.70	44.70	62.20	26.00	26.00	27.50	41 mm	50 mm	Metric
DAOF5T305-2016IN	1-11/16"-12	1-11/16"-12	1-5/16"-12	44.70	44.70	62.20	26.00	26.00	20.60	1-5/8"	1-5/8"	Imperial
DAOF5T305-2020IN	1-11/16"-12	1-11/16"-12	1-5/8"-12	44.70	44.70	62.20	26.00	26.00	27.50	1-7/8"	1-7/8"	Imperial
DAOF5T305-2424	2"-12	2"-12	1-7/8"-12	48.80	48.80	65.80	32.00	32.00	32.00	50 mm	55 mm	Metric
DAOF5T305-2424IN	2"-12	2"-12	1-7/8"-12	48.80	48.80	65.80	32.00	32.00	32.00	1-7/8"	2-1/8"	Imperial



# DAOF5T06Q

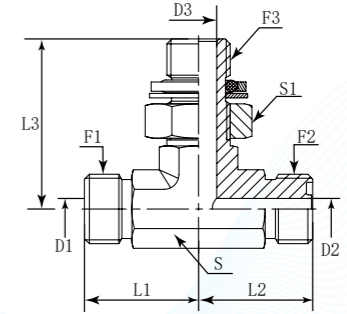
Branch Adjustable Tee ORFS Male - BSPP Male + O Ring + Retaining Ring

<b>D</b>	<b>A</b>	<b>OF</b>	<b>5</b>	<b>T</b>	<b>06</b>	<b>0</b>
Company	Product Range	Thread Types	Connection Type	Adaptor Structure	Thread Types	Connection Type
<b>DME</b>	Adaptor	ORFS UNF	Male	Branch Tee	BSPP	Male + O Ring + Retaining Ring

German Technology Equipment

New-Standard

- DME&JDE Code: **DAOF5T06Q**
- Product Type: **Hydraulic adaptor**
- Standard: **ORFS**
- Structure: **Branch Tee**
- Connection Type: **Adjustable Male x Male x Male**
- Thread Types: **UNF x UNF x BSPP**
- Sealing Method: **O Ring + Retaining Ring**



PART NUMBER	F1 (Thread)	F2 (Thread)	F3 (Thread)	L1	L2	L3	D1	D2	D3	S	S1	Hex
#	UNF	UNF	BSPP	mm	mm	mm	mm	mm	mm	mm	mm	mm
DAOF5T06Q-0402	9/16"-18	9/16"-18	1/8"-28	21.50	21.50	30.00	4.37	4.37	4.40	14	14	
DAOF5T06Q-0404	9/16"-18	9/16"-18	1/4"-19	23.50	23.50	35.00	4.37	4.37	7.50	14	19	
DAOF5T06Q-0604	11/16"-16	11/16"-16	1/4"-19	25.00	25.00	36.00	6.71	6.71	7.50	19	19	
DAOF5T06Q-0606	11/16"-16	11/16"-16	3/8"-19	26.50	26.50	38.00	6.71	6.71	9.90	19	22	
DAOF5T06Q-0608	11/16"-16	11/16"-16	1/2"-14	29.50	29.50	48.00	6.71	6.71	12.30	22	27	
DAOF5T06Q-0804	13/16"-16	13/16"-16	1/4"-19	28.00	28.00	35.00	9.60	9.60	7.50	19	19	
DAOF5T06Q-0806	13/16"-16	13/16"-16	3/8"-19	28.00	28.00	36.50	9.60	9.60	9.90	19	22	
DAOF5T06Q-0808	13/16"-16	13/16"-16	1/2"-14	31.00	31.00	48.00	9.50	9.50	12.30	27	27	
DAOF5T06Q-1008	1"-14	1"-14	1/2"-14	33.50	33.50	48.00	12.29	12.29	12.30	27	27	
DAOF5T06Q-1012	1"-14	1"-14	3/4"-14	36.00	36.00	51.50	12.50	12.50	15.50	30	36	
DAOF5T06Q-1212	1-3/16"-12	1-3/16"-12	3/4"-14	37.50	37.50	51.50	15.47	15.47	15.50	30	36	
DAOF5T06Q-1216	1-3/16"-12	1-3/16"-12	1"-11	41.50	41.50	58.00	15.47	15.47	21.50	36	41	
DAOF5T06Q-1616	1-7/16"-12	1-7/16"-12	1"-11	42.00	42.00	58.00	20.60	20.60	21.50	36	41	
DAOF5T06Q-2020	1-11/16"-12	1-11/16"-12	1-1/4"-11	45.00	45.00	60.50	26.00	26.00	27.50	41	50	
DAOF5T06Q-2424	2"-12	2"-12	1-1/2"-11	49.00	49.00	64.50	32.00	32.00	33.00	48	55	



## DAOF5T065

Branch Adjustable Tee ORFS Male - BSPP Male + O Ring

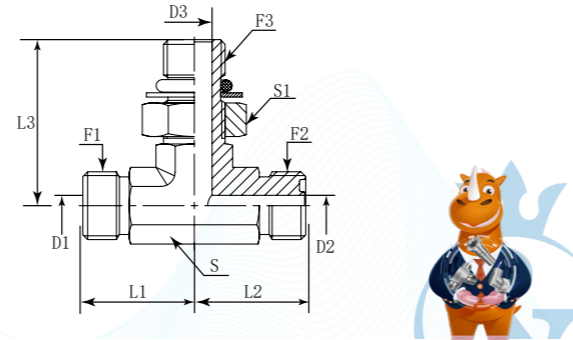
<b>D</b>	<b>A</b>	<b>OF</b>	<b>5</b>	<b>T</b>	<b>06</b>	<b>5</b>
Company	Product Range	Thread Types	Sealing Type	Adaptor Structure	Thread Types	Connection Type
<b>DME</b>	Adaptor	ORFS UNF	Male	Branch Tee	BSPP	Male + O Ring

German Technology Equipment

**SHIELD FLEX**

New-Standard

- DME&JDE Code:** DAOF5T065
- Product Type:** Hydraulic adaptor
- Standard:** ORFS
- Structure:** Branch Tee
- Connection Type:** Adjustable Male x Male x Male
- Thread Types:** UNF x UNF x BSPP + O Ring
- Sealing Method:** O Ring



PART NUMBER	F1 (Thread)	F2 (Thread)	F3(Thread)	L1	L2	L3	D1	D2	D3	S	S1
#	UNF	UNF	BSPP	mm	mm	mm	mm	mm	mm	mm	mm
DAOF5T065-0402	9/16"-18	9/16"-18	1/8"-28	21.5	21.5	30	4.37	4.37	4.4	14	14
DAOF5T065-0404	9/16"-18	9/16"-18	1/4"-19	23.5	23.5	35	4.37	4.37	7.5	14	19
DAOF5T065-0604	11/16"-16	11/16"-16	1/4"-19	25	25	36	6.71	6.71	7.5	19	19
DAOF5T065-0606	11/16"-16	11/16"-16	3/8"-19	26.5	26.5	38	6.71	6.71	9.9	19	22
DAOF5T065-0608	11/16"-16	11/16"-16	1/2"-14	29.5	29.5	48	6.71	6.71	12.3	22	27
DAOF5T065-0804	13/16"-16	13/16"-16	1/4"-19	28	28	35	9.6	9.6	7.5	19	19
DAOF5T065-0806	13/16"-16	13/16"-16	3/8"-19	28	28	36.5	9.6	9.6	9.9	19	22
DAOF5T065-0808	13/16"-16	13/16"-16	1/2"-14	31	31	48	9.5	9.5	12.3	27	27
DAOF5T065-1008	1"-14	1"-14	1/2"-14	33.5	33.5	48	12.29	12.29	12.3	27	27
DAOF5T065-1012	1"-14	1"-14	3/4"-14	36	36	51.5	12.5	12.5	15.5	30	36
DAOF5T065-1212	1-3/16"-12	1-3/16"-12	3/4"-14	37.5	37.5	51.5	15.47	15.47	15.5	30	36
DAOF5T065-1216	1-3/16"-12	1-3/16"-12	1"-11	41.5	41.5	58	15.47	15.47	21.5	36	41
DAOF5T065-1616	1-7/16"-12	1-7/16"-12	1"-11	42	42	58	20.6	20.6	21.5	36	41
DAOF5T065-2020	1-11/16"-12	1-11/16"-12	1-1/4"-11	45	45	60.5	26	26	27.5	41	50
DAOF5T065-2424	2"-12	2"-12	1-1/2"-11	49	49	64.5	32	32	33	48	55

## DAOF5T52Q

Branch Adjustable Tee ORFS Male - Metric Male + O Ring + Retaining Ring

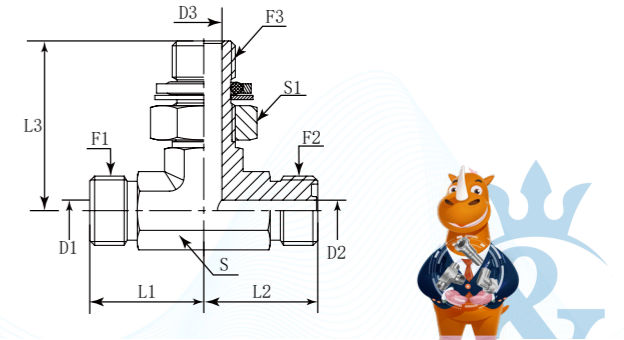
<b>D</b>	<b>A</b>	<b>OF</b>	<b>5</b>	<b>T</b>	<b>52</b>	<b>0</b>
Company	Product Range	Thread Types	Connection Type	Adaptor Structure	Thread Types	Connection Type
<b>DME</b>	Adaptor	ORFS UNF	Male	Branch Tee	Metric	Male + O Ring + Retaining Ring

German Technology Equipment

**SHIELD FLEX**

New-Standard

- DME&JDE Code:** DAOF5T52Q
- Product Type:** Hydraulic adaptor
- Standard:** ORFS
- Structure:** Branch Tee
- Connection Type:** Adjustable Male x Male x Male
- Thread Types:** UNF x UNF x Metric
- Sealing Method:** O Ring + Retaining Ring



PART NUMBER	F1 (Thread)	F2 (Thread)	F3(Thread)	L1	L2	L3	D1	D2	D3	S	S1
#	UNF	UNF	METRIC	mm	mm	mm	mm	mm	mm	mm	mm
DAOF5T52Q-0410	9/16"-18	9/16"-18	M10X1	21.50	21.50	32.50	4.37	4.37	3.00	14	14
DAOF5T52Q-0412	9/16"-18	9/16"-18	M12X1.5	21.50	21.50	32.50	4.37	4.37	4.00	14	17
DAOF5T52Q-0614	11/16"-16	11/16"-16	M14X1.5	25.00	25.00	36.00	6.71	6.71	6.00	19	19
DAOF5T52Q-0616	11/16"-16	11/16"-16	M16X1.5	25.00	25.00	37.00	6.71	6.71	7.00	19	22
DAOF5T52Q-0816	13/16"-16	13/16"-16	M16X1.5	28.00	28.00	37.00	9.60	9.60	7.00	19	22
DAOF5T52Q-0818	13/16"-16	13/16"-16	M18X1.5	28.00	28.00	40.00	9.60	9.60	9.00	19	24
DAOF5T52Q-0822	13/16"-16	13/16"-16	M22X1.5	31.50	31.50	49.00	9.60	9.60	12.00	27	27
DAOF5T52Q-1018	1"-14	1"-14	M18X1.5	33.50	33.50	48.00	12.29	12.29	9.00	27	24
DAOF5T52Q-1022	1"-14	1"-14	M22X1.5	33.50	33.50	49.00	12.29	12.29	12.00	27	27
DAOF5T52Q-1227	1-3/16"-12	1-3/16"-12	M27X2	37.50	37.50	55.50	15.47	15.47	15.00	30	32
DAOF5T52Q-1233	1-3/16"-12	1-3/16"-12	M33X2	41.50	41.50	60.00	15.50	15.50	20.00	36	41
DAOF5T52Q-1633	1-7/16"-12	1-7/16"-12	M33X2	42.00	42.00	60.00	20.60	20.60	20.00	36	41
DAOF5T52Q-2033	1-11/16"-12	1-11/16"-12	M33X2	44.70	44.70	62.50	26.00	26.00	20.00	41	41
DAOF5T52Q-2448	2"-12	2"-12	M48X2	47.90	47.90	66.00	32.00	32.00	32.00	48	55



## DAOF5T525

Branch Adjustable Tee ORFS Male - Metric Male + O Ring

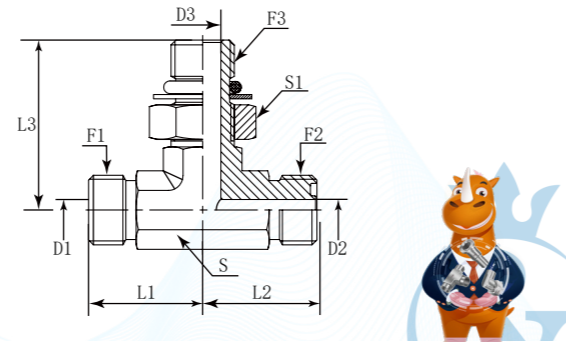
<b>D</b>	<b>A</b>	<b>OF</b>	<b>5</b>	<b>T</b>	<b>52</b>	<b>5</b>
Company	Product Range	Thread Types	Sealing Type	Adaptor Structure	Thread Types	Connection Type
<b>DME</b>	Adaptor	ORFS UNF	Male	Branch Tee	Metric	Male + O Ring

German Technology Equipment

**SHIELD FLEX**

New-Standard

- DME&JDE Code: **DAOF5T525**
- Product Type: **Hydraulic adaptor**
- Standard: **ORFS**
- Structure: **Branch Tee**
- Connection Type: **Adjustable Male x Male x Male**
- Thread Types: **UNF x UNF x Metric + O Ring**
- Sealing Method: **O Ring**



PART NUMBER	F1 (Thread)	F2 (Thread)	F3 (Thread)	L1	L2	L3	D1	D2	D3	S	S1
#	UNF	UNF	METRIC	mm	mm	mm	mm	mm	mm	mm	mm
DAOF5T525-0410	9/16"-18	9/16"-18	M10X1	21.50	21.50	32.50	4.37	4.37	3.00	14	14
DAOF5T525-0412	9/16"-18	9/16"-18	M12X1.5	21.50	21.50	32.50	4.37	4.37	4.00	14	17
DAOF5T525-0614	11/16"-16	11/16"-16	M14X1.5	25.00	25.00	36.00	6.71	6.71	6.00	19	19
DAOF5T525-0616	11/16"-16	11/16"-16	M16X1.5	25.00	25.00	37.00	6.71	6.71	7.00	19	22
DAOF5T525-0816	13/16"-16	13/16"-16	M16X1.5	28.00	28.00	37.00	9.60	9.60	7.00	19	22
DAOF5T525-0818	13/16"-16	13/16"-16	M18X1.5	28.00	28.00	40.00	9.60	9.60	9.00	19	24
DAOF5T525-0822	13/16"-16	13/16"-16	M22X1.5	31.50	31.50	49.00	9.60	9.60	12.00	27	27
DAOF5T525-1018	1"-14	1"-14	M18X1.5	33.50	33.50	48.00	12.29	12.29	9.00	27	24
DAOF5T525-1022	1"-14	1"-14	M22X1.5	33.50	33.50	49.00	12.29	12.29	12.00	27	27
DAOF5T525-1227	1-3/16"-12	1-3/16"-12	M27X2	37.50	37.50	55.50	15.47	15.47	15.00	30	32
DAOF5T525-1233	1-3/16"-12	1-3/16"-12	M33X2	41.50	41.50	60.00	15.50	15.50	20.00	36	41
DAOF5T525-1633	1-7/16"-12	1-7/16"-12	M33X2	42.00	42.00	60.00	20.60	20.60	20.00	36	41
DAOF5T525-2033	1-11/16"-12	1-11/16"-12	M33X2	44.70	44.70	62.50	26.00	26.00	20.00	41	41
DAOF5T525-2448	2"-12	2"-12	M48X2	47.90	47.90	66.00	32.00	32.00	32.00	48	55

## DAOF3T245

Branch Tee ORFS Swivel Female - ORFS Male

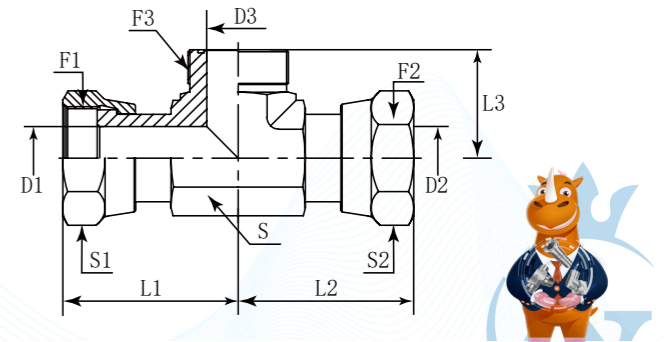
<b>D</b>	<b>A</b>	<b>OF</b>	<b>3</b>	<b>T</b>	<b>24</b>	<b>5</b>
Company	Product Range	Thread Types	Connection Type	Adaptor Structure	Thread Types	Sealing Type
<b>DME</b>	Adaptor	ORFS UNF	Swivel Female	Branch Tee	ORFS UNF	Male+O Ring

German Technology Equipment

**SHIELD FLEX**

New-Standard

- DME&JDE Code: **DAOF3T245**
- Product Type: **Hydraulic adaptor**
- Standard: **ORFS**
- Structure: **Branch Tee**
- Connection Type: **Swivel Female x Swivel Female x Male**
- Thread Types: **UNF x UNF x UNF**
- Sealing Method: **O Ring**



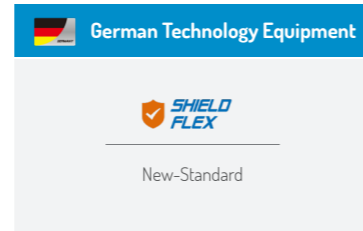
PART NUMBER	F1 (Thread)	F2 (Thread)	F3 (Thread)	D1	D2	D3	L1	L2	L3	S	S1	S2	Hex
#	UNF	UNF	UNF	mm	mm	mm	mm	mm	mm	-	-	-	-
DAOF3T245-0404	9/16"-18	9/16"-18	9/16"-18	4.19	4.19	4.37	34.60	34.60	21.50	14 mm	17 mm	17 mm	Metric
DAOF3T245-0404IN	9/16"-18	9/16"-18	9/16"-18	4.19	4.19	4.37	34.60	34.60	21.50	9/16"	11/16"	11/16"	Imperial
DAOF3T245-0606	11/16"-16	11/16"-16	11/16"-16	6.71	6.71	6.50	38.70	38.70	24.90	19 mm	22 mm	22 mm	Metric
DAOF3T245-0606IN	11/16"-16	11/16"-16	11/16"-16	6.71	6.71	6.50	38.70	38.70	24.90	3/4"	7/8"	7/8"	Imperial
DAOF3T245-0808	13/16"-16	13/16"-16	13/16"-16	9.09	9.09	9.60	49.00	49.00	28.96	19 mm	24 mm	24 mm	Metric
DAOF3T245-0808IN	13/16"-16	13/16"-16	13/16"-16	9.09	9.09	9.60	49.00	49.00	28.96	3/4"	15/16"	15/16"	Imperial
DAOF3T245-1212	1-3/16"-12	1-3/16"-12	1-3/16"-12	14.00	14.00	15.50	60.80	60.80	37.30	30 mm	36 mm	36 mm	Metric
DAOF3T245-1212IN	1-3/16"-12	1-3/16"-12	1-3/16"-12	14.00	14.00	15.50	60.80	60.80	37.30	1-3/16"	1-3/8"	1-3/8"	Imperial
DAOF3T245-1616	1-7/16"-12	1-7/16"-12	1-7/16"-12	18.89	19.89	20.50	68.20	68.20	41.70	36 mm	41 mm	41 mm	Metric
DAOF3T245-1616IN	1-7/16"-12	1-7/16"-12	1-7/16"-12	18.89	19.89	20.50	68.20	68.20	41.70	1-7/16"	1-5/8"	1-5/8"	Imperial
DAOF3T245-2020	1-11/16"-12	1-11/16"-12	1-11/16"-12	26.01	26.01	26.00	72.80	72.80	44.70	41 mm	50 mm	50 mm	Metric
DAOF3T245-2020IN	1-11/16"-12	1-11/16"-12	1-11/16"-12	26.01	26.01	26.00	72.80	72.80	44.70	1-5/8"	1-7/8"	1-7/8"	Imperial
DAOF3T245-2424	2"-12	2"-12	2"-12	32.00	32.00	32.00	76.10	76.10	48.80	50 mm	60 mm	60 mm	Metric
DAOF3T245-2424IN	2"-12	2"-12	2"-12	32.00	32.00	32.00	76.10	76.10	48.80	1-7/8"	2-1/4"	2-1/4"	Imperial



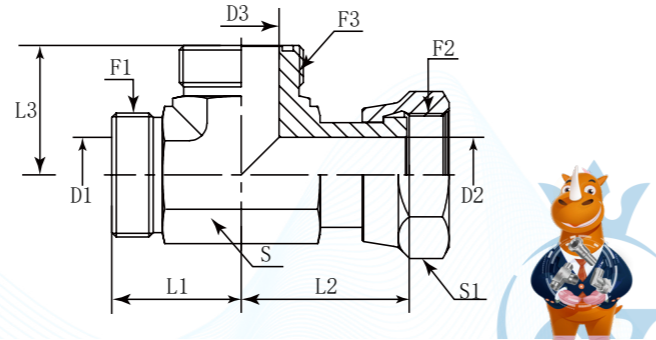
## DAOF5L241

Run Tee Connector ORFS Male - ORFS Swivel Female

<b>D</b>	<b>A</b>	<b>OF</b>	<b>5</b>	<b>L</b>	<b>241</b>
Company	Product Range	Thread Types	Connection Type	Adaptor Structure	Connection Type
<b>DME</b>	Adaptor	ORFS UNF	Male	Run Tee	ORFS Swivel Female



- DME&JDE Code:** DAOF5L241
- Product Type:** Hydraulic adaptor
- Standard:** ORFS
- Structure:** Run Tee
- Connection Type:** Male x Swivel Female x Male
- Thread Types:** UNF x UNF x UNF



PART NUMBER	F1 (Thread)	F2 (Thread)	F3 (Thread)	L1	L2	L3	D1	D2	D3	S	S1	Hex
#	UNF	UNF	UNF	mm	mm	mm	mm	mm	mm	-	-	-
DAOF5L241-0404	9/16"-18	9/16"-18	9/16"-18	21.60	26.40	21.60	4.37	4.19	4.37	14 mm	17 mm	Metric
DAOF5L241-0404IN	9/16"-18	9/16"-18	9/16"-18	21.60	26.40	21.60	4.37	4.19	4.37	9/16"	11/16"	Imperial
DAOF5L241-0606	11/16"-16	11/16"-16	11/16"-16	24.89	29.21	24.89	6.71	6.71	6.71	19 mm	22 mm	Metric
DAOF5L241-0606IN	11/16"-16	11/16"-16	11/16"-16	24.89	29.21	24.89	6.71	6.71	6.71	3/4"	13/16"	Imperial
DAOF5L241-0808	13/16"-16	13/16"-16	13/16"-16	27.94	37.85	27.94	9.60	9.09	9.60	19 mm	24 mm	Metric
DAOF5L241-0808IN	13/16"-16	13/16"-16	13/16"-16	27.94	37.85	27.94	9.60	9.09	9.60	3/4"	15/16"	Imperial
DAOF5L241-1010	1"-14	1"-14	1"-14	33.50	41.00	33.50	12.50	11.51	12.50	27 mm	30 mm	Metric
DAOF5L241-1010IN	1"-14	1"-14	1"-14	33.50	41.00	33.50	12.50	11.51	12.50	1-1/16"	1-1/8"	Imperial
DAOF5L241-1212	1-3/16"-12	1-3/16"-12	1-3/16"-12	37.50	46.50	37.50	15.47	13.89	15.47	30 mm	36 mm	Metric
DAOF5L241-1212IN	1-3/16"-12	1-3/16"-12	1-3/16"-12	37.50	46.50	37.50	15.47	13.89	15.47	1-3/16"	1-3/8"	Imperial
DAOF5L241-1616	1-7/16"-12	1-7/16"-12	1-7/16"-12	41.66	53.34	41.66	20.50	19.89	20.50	36 mm	41 mm	Metric
DAOF5L241-1616IN	1-7/16"-12	1-7/16"-12	1-7/16"-12	41.66	53.34	41.66	20.50	19.89	20.50	1-7/16"	1-5/8"	Imperial
DAOF5L241-2020	1-11/16"-12	1-11/16"-12	1-11/16"-12	44.70	58.17	44.70	26.00	26.01	26.00	41 mm	50 mm	Metric
DAOF5L241-2020IN	1-11/16"-12	1-11/16"-12	1-11/16"-12	44.70	58.17	44.70	26.00	26.01	26.00	1-5/8"	1-7/8"	Imperial
DAOF5L241-2424	2"-12	2"-12	2"-12	48.80	61.21	48.80	32.00	32.00	32.00	50 mm	60 mm	Metric
DAOF5L241-2424IN	2"-12	2"-12	2"-12	48.80	61.21	48.80	32.00	32.00	32.00	1-7/8"	2-1/4"	Imperial



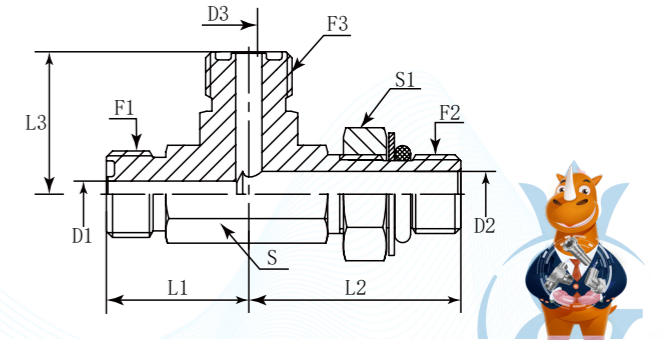
## DAOF5L305

Run Adjustable Tee ORFS Male - SAE Male O Ring

<b>D</b>	<b>A</b>	<b>OF</b>	<b>5</b>	<b>L</b>	<b>30</b>	<b>5</b>
Company	Product Range	Thread Types	Connection Type	Adaptor Structure	Thread Types	Connection Type
<b>DME</b>	Adaptor	ORFS UNF	Male	Run Tee	SAE UNF	Male O Ring



- DME&JDE Code:** DAOF5L305
- Product Type:** Hydraulic adaptor
- Standard:** ORFS
- Structure:** Run Tee
- Connection Type:** Adjustable Male x Male x Male
- Thread Types:** ORFS UNF x ORFS UNF x SAE UNF + O Ring
- Sealing Method:** O Ring



PART NUMBER	F1 (Thread)	F2 (Thread)	F3 (Thread)	L1	L2	L3	D1	D2	D3	S	S1	Hex
#	UNF	UNF	UNF	mm	mm	mm	mm	mm	mm	-	-	-
DAOF5L305-0404	9/16"-18	7/16"-20	9/16"-18	21.60	32.80	21.60	4.37	4.37	4.37	14 mm	17 mm	Metric
DAOF5L305-0406	9/16"-18	9/16"-18	9/16"-18	23.50	36.80	23.50	4.37	6.71	4.37	19 mm	19 mm	Metric
DAOF5L305-0408	9/16"-18	3/4"-16	9/16"-18	25.00	40.60	25.00	4.37	9.60	4.37	19 mm	24 mm	Metric
DAOF5L305-0404IN	9/16"-18	7/16"-20	9/16"-18	21.60	32.80	21.60	4.37	4.37	4.37	9/16"	5/8"	Imperial
DAOF5L305-0406IN	9/16"-18	9/16"-18	9/16"-18	23.50	36.80	23.50	4.37	6.71	4.37	3/4"	3/4"	Imperial
DAOF5L305-0408IN	9/16"-18	3/4"-16	9/16"-18	25.00	40.60	25.00	4.37	9.60	4.37	3/4"	15/16"	Imperial
DAOF5L305-0604	11/16"-16	7/16"-20	11/16"-16	25.00	35.00	25.00	6.50	4.50	6.50	19 mm	17 mm	Metric
DAOF5L305-0606	11/16"-16	9/16"-18	11/16"-16	24.90	36.80	24.90	6.71	6.71	6.71	19 mm	19 mm	Metric
DAOF5L305-0608	11/16"-16	3/4"-16	11/16"-16	26.40	40.60	26.40	6.71	9.60	6.71	19 mm	24 mm	Metric
DAOF5L305-0604IN	11/16"-16	7/16"-20	11/16"-16	25.00	35.00	25.00	6.50	4.50	6.50	3/4"	5/8"	Imperial
DAOF5L305-0606IN	11/16"-16	9/16"-18	11/16"-16	24.90	36.80	24.90	6.71	6.71	6.71	3/4"	3/4"	Imperial
DAOF5L305-0608IN	11/16"-16	3/4"-16	11/16"-16	26.40	40.60	26.40	6.71	9.60	6.71	3/4"	15/16"	Imperial
DAOF5L305-0806	13/16"-16	9/16"-18	13/16"-16	28.00	36.80	28.00	9.60	6.71	9.60	19 mm	19 mm	Metric
DAOF5L305-0808	13/16"-16	3/4"-16	13/16"-16	27.90	40.60	27.90	9.60	9.60	9.60	19 mm	24 mm	Metric
DAOF5L305-0810	13/16"-16	7/8"-14	13/16"-16	30.70	50.00	30.70	9.60	12.29	9.60	27 mm	27 mm	Metric
DAOF5L305-0812	13/16"-16	1-1/16"-12	13/16"-16	33.50	55.10	33.50	9.60	15.47	9.60	30 mm	36 mm	Metric



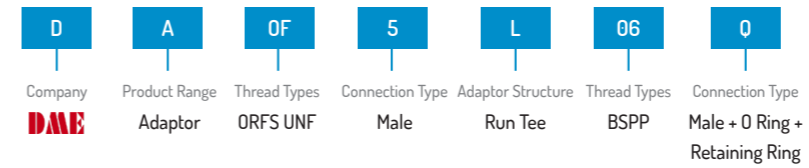
DAOF5L305-0806IN	13/16"-16	9/16"-18	13/16"-16	28.00	36.80	28.00	9.60	6.71	9.60	3/4"	3/4"	Imperial
DAOF5L305-0808IN	13/16"-16	3/4"-16	13/16"-16	27.90	40.60	27.90	9.60	9.60	9.60	3/4"	15/16"	Imperial
DAOF5L305-0810IN	13/16"-16	7/8"-14	13/16"-16	30.70	50.00	30.70	9.60	12.29	9.60	1-1/16"	1-1/16"	Imperial
DAOF5L305-0812IN	13/16"-16	1-1/16"-12	13/16"-16	33.50	55.10	33.50	9.60	15.47	9.60	1-3/16"	1-3/8"	Imperial
DAOF5L305-1008	1"-14	3/4"-16	1"-14	33.50	46.00	33.50	12.50	9.60	12.50	27 mm	24 mm	Metric
DAOF5L305-1010	1"-14	7/8"-14	1"-14	33.30	50.00	33.30	12.29	12.29	12.29	27 mm	27 mm	Metric
DAOF5L305-1012	1"-14	1-1/16"-12	1"-14	35.81	55.12	35.81	12.29	12.29	12.29	30 mm	36 mm	Metric
DAOF5L305-1008IN	1"-14	3/4"-16	1"-14	33.50	46.00	33.50	12.50	9.60	12.50	1-1/16"	15/16"	Imperial
DAOF5L305-1010IN	1"-14	7/8"-14	1"-14	33.30	50.00	33.30	12.29	12.29	12.29	1-1/16"	1-1/16"	Imperial
DAOF5L305-1012IN	1"-14	1-1/16"-12	1"-14	35.81	55.12	35.81	12.29	12.29	12.29	1-3/16"	1-3/8"	Imperial
DAOF5L305-1208	1-3/16"-12	3/4"-16	1-3/16"-12	37.34	48.50	37.34	15.47	9.60	15.47	30 mm	24 mm	Metric
DAOF5L305-1212	1-3/16"-12	1-1/16"-12	1-3/16"-12	37.30	55.10	37.30	15.47	15.47	15.47	30 mm	36 mm	Metric
DAOF5L305-1216	1-3/16"-12	1-5/16"-12	1-3/16"-12	41.20	59.70	41.20	15.47	20.60	15.47	36 mm	41 mm	Metric
DAOF5L305-1208IN	1-3/16"-12	3/4"-16	1-3/16"-12	37.34	48.50	37.34	15.47	9.60	15.47	1-3/16"	15/16"	Imperial
DAOF5L305-1212IN	1-3/16"-12	1-1/16"-12	1-3/16"-12	37.30	55.10	37.30	15.47	15.47	15.47	1-3/16"	1-3/8"	Imperial
DAOF5L305-1216IN	1-3/16"-12	1-5/16"-12	1-3/16"-12	41.20	59.70	41.20	15.47	20.60	15.47	1-7/16"	1-5/8"	Imperial
DAOF5L305-1612	1-7/16"-12	1-1/16"-12	1-7/16"-12	41.70	58.50	41.70	20.60	15.47	20.60	36 mm	36 mm	Metric
DAOF5L305-1616	1-7/16"-12	1-5/16"-12	1-7/16"-12	41.50	59.50	41.50	20.50	21.50	20.50	36 mm	41 mm	Metric
DAOF5L305-1620	1-7/16"-12	1-5/8"-12	1-7/16"-12	44.70	62.20	44.70	20.60	26.01	20.60	41 mm	50 mm	Metric
DAOF5L305-1612IN	1-7/16"-12	1-1/16"-12	1-7/16"-12	41.70	58.50	41.70	20.60	15.47	20.60	1-7/16"	1-3/8"	Imperial
DAOF5L305-1616IN	1-7/16"-12	1-5/16"-12	1-7/16"-12	41.50	59.50	41.50	20.50	21.50	20.50	1-7/16"	1-5/8"	Imperial
DAOF5L305-1620IN	1-7/16"-12	1-5/8"-12	1-7/16"-12	44.70	62.20	44.70	20.60	26.01	20.60	1-5/8"	1-7/8"	Imperial
DAOF5L305-2016	1-11/16"-12	1-5/16"-12	1-11/16"-12	44.70	62.20	44.70	26.00	20.60	26.00	41 mm	41 mm	Metric
DAOF5L305-2020	1-11/16"-12	1-5/8"-12	1-11/16"-12	44.50	62.20	44.50	26.00	27.50	26.00	41 mm	50 mm	Metric
DAOF5L305-2016IN	1-11/16"-12	1-5/16"-12	1-11/16"-12	44.70	62.20	44.70	26.00	20.60	26.00	1-5/8"	1-5/8"	Imperial
DAOF5L305-2020IN	1-11/16"-12	1-5/8"-12	1-11/16"-12	44.50	62.20	44.50	26.00	27.50	26.00	1-5/8"	1-7/8"	Imperial
DAOF5L305-2424	2"-12	1-7/8"-12	2"-12	48.80	65.80	48.80	32.00	32.00	32.00	50 mm	55 mm	Metric
DAOF5L305-2424IN	2"-12	1-7/8"-12	2"-12	48.80	65.80	48.80	32.00	32.00	32.00	1-7/8"	2-1/8"	Imperial



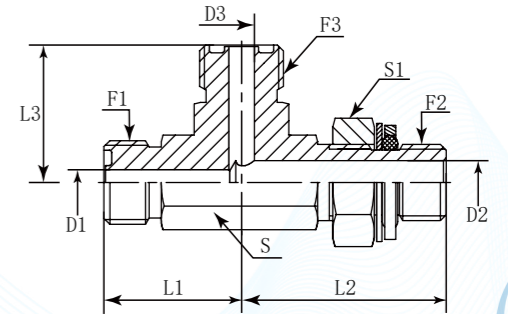
## DAOF5L06Q



Run Adjustable Tee ORFS Male - BSPP Male + O Ring + Retaining Ring



- DME&JDE Code:** DAOF5L06Q
- Product Type:** Hydraulic adaptor
- Standard:** ORFS
- Structure:** Run Tee
- Connection Type:** Adjustable Male x Male x Male
- Thread Types:** UNF x BSPP x UNF
- Sealing Method:** O Ring + Retaining Ring



PART NUMBER	F1 (Thread)	F2 (Thread)	F3 (Thread)	L1	L2	L3	D1	D2	D3	S	S1
#	UNF	BSPP	UNF	mm	mm	mm	mm	mm	mm	mm	mm
DAOF5L06Q-0402	9/16"-18	1/8"-28	9/16"-18	21.50	30.00	21.50	4.37	4.40	4.37	14	14
DAOF5L06Q-0404	9/16"-18	1/4"-19	9/16"-18	23.50	35.00	23.50	4.37	7.50	4.37	14	19
DAOF5L06Q-0604	11/16"-16	1/4"-19	11/16"-16	25.00	36.00	25.00	6.71	7.50	6.71	19	19
DAOF5L06Q-0606	11/16"-16	3/8"-19	11/16"-16	26.50	38.00	26.50	6.50	9.90	6.50	19	22
DAOF5L06Q-0608	11/16"-16	1/2"-14	11/16"-16	29.50	48.00	29.50	6.71	12.30	6.71	22	27
DAOF5L06Q-0804	13/16"-16	1/4"-19	13/16"-16	28.00	35.00	28.00	9.60	7.50	9.60	19	19
DAOF5L06Q-0806	13/16"-16	3/8"-19	13/16"-16	28.00	36.50	28.00	9.60	9.90	9.60	19	22
DAOF5L06Q-0808	13/16"-16	1/2"-14	13/16"-16	31.00	48.00	31.00	9.60	12.30	9.60	22	27
DAOF5L06Q-1008	1"-14	1/2"-14	1"-14	33.50	48.00	33.50	12.29	12.30	12.29	27	27
DAOF5L06Q-1012	1"-14	3/4"-14	1"-14	36.00	51.50	36.00	12.29	15.50	12.29	30	36
DAOF5L06Q-1212	1-3/16"-12	3/4"-14	1-3/16"-12	37.50	51.50	37.50	15.47	15.50	15.47	30	36
DAOF5L06Q-1616	1-7/16"-12	1"-11	1-7/16"-12	42.00	58.00	42.00	20.60	21.50	20.60	36	41
DAOF5L06Q-2020	1-11/16"-12	1-1/4"-11	1-11/16"-12	45.00	60.50	45.00	26.00	27.50	26.00	41	50
DAOF5L06Q-2424	2"-12	1-1/2"-11	2"-12	49.00	64.50	49.00	32.00	33.00	32.00	48	55



## DAOF5L065

Run Adjustable Tee ORFS Male - BSPP Male + O Ring

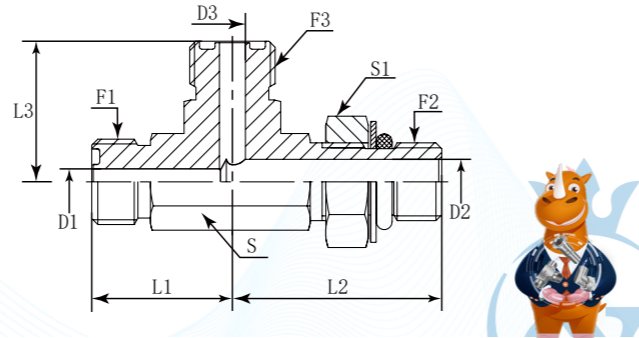
<b>D</b>	<b>A</b>	<b>OF</b>	<b>5</b>	<b>L</b>	<b>06</b>	<b>5</b>
Company	Product Range	Thread Types	Connection Type	Adaptor Structure	Thread Types	Connection Type
<b>DME</b>	Adaptor	ORFS UNF	Male	Run Tee	BSPP	Male + O Ring

German Technology Equipment

**SHIELD FLEX**

New-Standard

- DME&JDE Code: **DAOF5L065**
- Product Type: **Hydraulic adaptor**
- Standard: **ORFS**
- Structure: **Run Tee**
- Connection Type: **Adjustable Male x Male x Male**
- Thread Types: **UNF x BSPP x UNF + O Ring**
- Sealing Method: **O Ring**



PART NUMBER	F1 (Thread)	F2 (Thread)	F3 (Thread)	L1	L2	L3	D1	D2	D3	S	S1
#	UNF	BSPP	UNF	mm	mm	mm	mm	mm	mm	mm	mm
DAOF5L065-0402	9/16"-18	1/8"-28	9/16"-18	21.50	30.00	21.50	4.37	4.40	4.37	14	14
DAOF5L065-0404	9/16"-18	1/4"-19	9/16"-18	23.50	35.00	23.50	4.37	7.50	4.37	14	19
DAOF5L065-0604	11/16"-16	1/4"-19	11/16"-16	25.00	36.00	25.00	6.71	7.50	6.71	19	19
DAOF5L065-0606	11/16"-16	3/8"-19	11/16"-16	26.50	38.00	26.50	6.50	9.90	6.50	19	22
DAOF5L065-0608	11/16"-16	1/2"-14	11/16"-16	29.50	48.00	29.50	6.71	12.30	6.71	22	27
DAOF5L065-0804	13/16"-16	1/4"-19	13/16"-16	28.00	35.00	28.00	9.60	7.50	9.60	19	19
DAOF5L065-0806	13/16"-16	3/8"-19	13/16"-16	28.00	36.50	28.00	9.60	9.90	9.60	19	22
DAOF5L065-0808	13/16"-16	1/2"-14	13/16"-16	31.00	48.00	31.00	9.60	12.30	9.60	22	27
DAOF5L065-1008	1"-14	1/2"-14	1"-14	33.50	48.00	33.50	12.29	12.30	12.29	27	27
DAOF5L065-1012	1"-14	3/4"-14	1"-14	36.00	51.50	36.00	12.29	15.50	12.29	30	36
DAOF5L065-1212	1-3/16"-12	3/4"-14	1-3/16"-12	37.50	51.50	37.50	15.47	15.50	15.47	30	36
DAOF5L065-1616	1-7/16"-12	1"-11	1-7/16"-12	42.00	58.00	42.00	20.60	21.50	20.60	36	41
DAOF5L065-2020	1-11/16"-12	1-1/4"-11	1-11/16"-12	45.00	60.50	45.00	26.00	27.50	26.00	41	50
DAOF5L065-2424	2"-12	1-1/2"-11	2"-12	49.00	64.50	49.00	32.00	33.00	32.00	48	55

## DAOF5L52Q

Run Adjustable Tee ORFS Male - Metric Male + O Ring + Retaining Ring

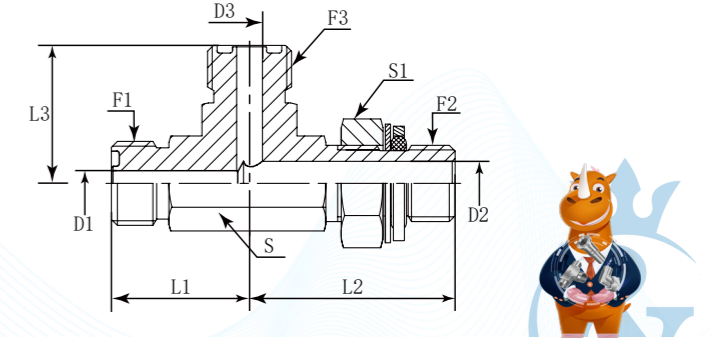
<b>D</b>	<b>A</b>	<b>OF</b>	<b>5</b>	<b>L</b>	<b>52</b>	<b>0</b>
Company	Product Range	Thread Types	Connection Type	Adaptor Structure	Thread Types	Connection Type
<b>DME</b>	Adaptor	ORFS UNF	Male	Run Tee	Metric	Male + O Ring + Retaining Ring

German Technology Equipment

**SHIELD FLEX**

New-Standard

- DME&JDE Code: **DAOF5L52Q**
- Product Type: **Hydraulic adaptor**
- Standard: **ORFS**
- Structure: **Run Tee**
- Connection Type: **Adjustable Male x Male x Male**
- Thread Types: **UNF x Metric x UNF**
- Sealing Method: **O Ring + Retaining Ring**



PART NUMBER	F1 (Thread)	F2 (Thread)	F3 (Thread)	L1	L2	L3	D1	D2	D3	S	S1
#	UNF	METRIC	UNF	mm	mm	mm	mm	mm	mm	mm	mm
DAOF5L52Q-0410	9/16"-18	M10X1	9/16"-18	21.50	32.50	21.50	4.37	3.00	4.37	14	14
DAOF5L52Q-0412	9/16"-18	M12X1.5	9/16"-18	21.50	32.50	21.50	4.37	4.00	4.37	14	17
DAOF5L52Q-0614	11/16"-16	M14X1.5	11/16"-16	25.00	36.00	25.00	6.71	6.00	6.71	19	19
DAOF5L52Q-0616	11/16"-16	M16X1.5	11/16"-16	25.00	37.00	25.00	6.71	7.00	6.71	19	22
DAOF5L52Q-0816	13/16"-16	M16X1.5	13/16"-16	28.00	37.00	28.00	9.60	7.00	9.60	19	22
DAOF5L52Q-0818	13/16"-16	M18X1.5	13/16"-16	28.00	40.00	28.00	9.60	9.00	9.60	19	24
DAOF5L52Q-0822	13/16"-16	M22X1.5	13/16"-16	31.50	49.00	31.50	9.60	12.00	9.60	27	27
DAOF5L52Q-1018	1"-14	M18X1.5	1"-14	33.50	48.00	33.50	12.29	9.00	12.29	27	24
DAOF5L52Q-1022	1"-14	M22X1.5	1"-14	33.50	49.00	33.50	12.29	12.00	12.29	27	27
DAOF5L52Q-1227	1-3/16"-12	M27X2	1-3/16"-12	37.50	55.50	37.50	15.47	15.00	15.47	30	32
DAOF5L52Q-1233	1-3/16"-12	M33X2	1-3/16"-12	41.50	60.00	41.50	15.50	20.00	15.50	36	41
DAOF5L52Q-1633	1-7/16"-12	M33X2	1-7/16"-12	42.00	60.00	42.00	20.60	20.00	20.60	36	41
DAOF5L52Q-2033	1-11/16"-12	M33X2	1-11/16"-12	44.70	62.50	44.70	26.00	20.00	26.00	41	41
DAOF5L52Q-2448	2"-12	M48X2	2"-12	47.90	66.00	47.90	32.00	32.00	32.00	48	55





## DAOF5L525

Run Adjustable Tee ORFS Male - Metric Male + O Ring

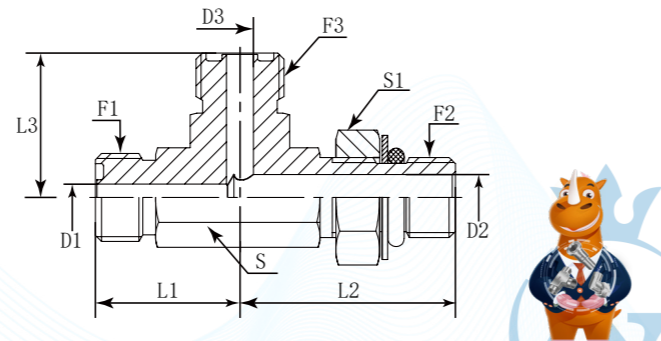
<b>D</b>	<b>A</b>	<b>OF</b>	<b>5</b>	<b>L</b>	<b>52</b>	<b>5</b>
Company	Product Range	Thread Types	Connection Type	Adaptor Structure	Thread Types	Connection Type
<b>DME</b>	Adaptor	ORFS UNF	Male	Run Tee	Metric	Male + O Ring

German Technology Equipment

**SHIELD FLEX**

New-Standard

- DME&JDE Code: **DAOF5L525**
- Product Type: **Hydraulic adaptor**
- Standard: **ORFS**
- Structure: **Run Tee**
- Connection Type: **Adjustable Male x Male x Male**
- Thread Types: **UNF x Metric x UNF + O Ring**



PART NUMBER	F1 (Thread)	F2 (Thread)	F3 (Thread)	L1	L2	L3	D1	D2	D3	S	S1
#	UNF	METRIC	UNF	mm	mm	mm	mm	mm	mm	mm	mm
DAOF5L525-0410	9/16"-18	M10X1	9/16"-18	21.50	32.50	21.50	4.37	3.00	4.37	14	14
DAOF5L525-0412	9/16"-18	M12X1.5	9/16"-18	21.50	32.50	21.50	4.37	4.00	4.37	14	17
DAOF5L525-0614	11/16"-16	M14X1.5	11/16"-16	25.00	36.00	25.00	6.71	6.00	6.71	19	19
DAOF5L525-0616	11/16"-16	M16X1.5	11/16"-16	25.00	37.00	25.00	6.71	7.00	6.71	19	22
DAOF5L525-0816	13/16"-16	M16X1.5	13/16"-16	28.00	37.00	28.00	9.60	7.00	9.60	19	22
DAOF5L525-0818	13/16"-16	M18X1.5	13/16"-16	28.00	40.00	28.00	9.60	9.00	9.60	19	24
DAOF5L525-0822	13/16"-16	M22X1.5	13/16"-16	31.50	49.00	31.50	9.60	12.00	9.60	27	27
DAOF5L525-1018	1"-14	M18X1.5	1"-14	33.50	48.00	33.50	12.29	9.00	12.29	27	24
DAOF5L525-1022	1"-14	M22X1.5	1"-14	33.50	49.00	33.50	12.29	12.00	12.29	27	27
DAOF5L525-1227	1-3/16"-12	M27X2	1-3/16"-12	37.50	55.50	37.50	15.47	15.00	15.47	30	32
DAOF5L525-1233	1-3/16"-12	M33X2	1-3/16"-12	41.50	60.00	41.50	15.50	20.00	15.50	36	41
DAOF5L525-1633	1-7/16"-12	M33X2	1-7/16"-12	42.00	60.00	42.00	20.60	20.00	20.60	36	41
DAOF5L525-2033	1-11/16"-12	M33X2	1-11/16"-12	44.70	62.50	44.70	26.00	20.00	26.00	41	41
DAOF5L525-2448	2"-12	M48X2	2"-12	47.90	66.00	47.90	32.00	32.00	32.00	48	55

## DAOF5L24T

Run Tee Bulkhead Connector ORFS Male - ORFS Male

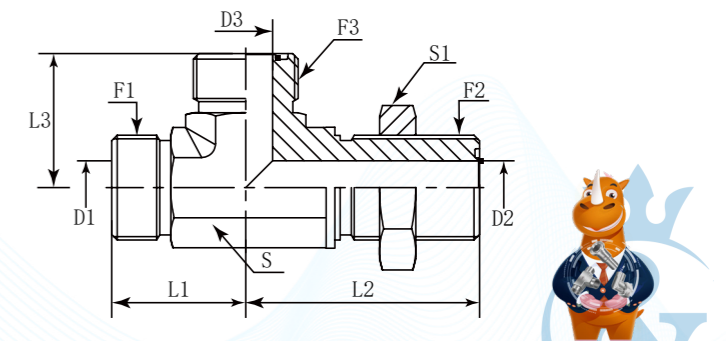
<b>D</b>	<b>A</b>	<b>OF</b>	<b>5</b>	<b>L</b>	<b>24</b>	<b>T</b>
Company	Product Range	Thread Types	Connection Type	Adaptor Structure	Thread Types	Connection Type
<b>DME</b>	Adaptor	ORFS UNF	Male	Run Tee	ORFS UNF	Bulkhead Male

German Technology Equipment

**SHIELD FLEX**

New-Standard

- DME&JDE Code: **DAOF5L24T**
- Product Type: **Hydraulic adaptor**
- Standard: **ORFS**
- Structure: **Run Tee**
- Connection Type: **Male x Male x Male**
- Thread Types: **UNF x UNF x UNF**
- Other Features: **Bulkhead**



PART NUMBER	F1 (Thread)	F2 (Thread)	F3 (Thread)	L1	L2	L3	D1	D2	D3	S	S1	Hex
#	UNF	UNF	UNF	mm	mm	mm	mm	mm	mm	-	-	-
DAOF5L24T-0404	9/16"-18	9/16"-18	9/16"-18	22.60	47.00	22.60	4.37	4.37	4.37	14 mm	22 mm	Metric
DAOF5L24T-0404IN	9/16"-18	9/16"-18	9/16"-18	22.60	47.00	22.60	4.37	4.37	4.37	9/16"	13/16"	Imperial
DAOF5L24T-0606	11/16"-16	11/16"-16	11/16"-16	26.00	52.00	26.00	6.71	6.71	6.71	19 mm	27 mm	Metric
DAOF5L24T-0606IN	11/16"-16	11/16"-16	11/16"-16	26.00	52.00	26.00	6.71	6.71	6.71	3/4"	1"	Imperial
DAOF5L24T-0808	13/16"-16	13/16"-16	13/16"-16	29.00	55.40	29.00	9.60	9.60	9.60	19 mm	30 mm	Metric
DAOF5L24T-0808IN	13/16"-16	13/16"-16	13/16"-16	29.00	55.40	29.00	9.60	9.60	9.60	3/4"	1-1/8"	Imperial
DAOF5L24T-1010	1"-14	1"-14	1"-14	34.50	63.00	34.50	12.29	12.29	12.29	27 mm	36 mm	Metric
DAOF5L24T-1010IN	1"-14	1"-14	1"-14	34.50	63.00	34.50	12.29	12.29	12.29	1-1/16"	1-5/16"	Imperial
DAOF5L24T-1212	1-3/16"-12	1-3/16"-12	1-3/16"-12	38.60	67.30	38.60	15.47	15.47	15.47	30 mm	41 mm	Metric
DAOF5L24T-1212IN	1-3/16"-12	1-3/16"-12	1-3/16"-12	38.60	67.30	38.60	15.47	15.47	15.47	1-3/16"	1-1/2"	Imperial
DAOF5L24T-1616	1-7/16"-12	1-7/16"-12	1-7/16"-12	42.40	71.20	42.40	20.60	20.60	20.60	36 mm	46 mm	Metric
DAOF5L24T-1616IN	1-7/16"-12	1-7/16"-12	1-7/16"-12	42.40	71.20	42.40	20.60	20.60	20.60	1-7/16"	1-3/4"	Imperial
DAOF5L24T-2020	1-11/16"-12	1-11/16"-12	1-11/16"-12	45.50	75.40	45.50	26.00	26.00	26.00	41 mm	50 mm	Metric
DAOF5L24T-2020IN	1-11/16"-12	1-11/16"-12	1-11/16"-12	45.50	75.40	45.50	26.00	26.00	26.00	1-5/8"	2"	Imperial
DAOF5L24T-2424	2"-12	2"-12	2"-12	49.50	79.50	49.50	32.00	32.00	32.00	50 mm	60 mm	Metric
DAOF5L24T-2424IN	2"-12	2"-12	2"-12	49.50	79.50	49.50	32.00	32.00	32.00	1-7/8"	2-3/8"	Imperial



## DAOF3L245

Run Tee ORFS Swivel Female - ORFS Male

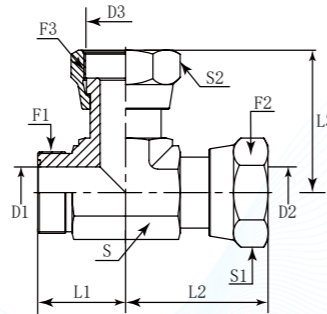
<b>D</b>	<b>A</b>	<b>OF</b>	<b>3</b>	<b>L</b>	<b>24</b>	<b>5</b>
Company	Product Range	Thread Types	Connection Type	Adaptor Structure	Thread Types	Connection Type
<b>DME</b>	Adaptor	ORFS UNF	Swivel Female	Run Tee	ORFS UNF	Male + O Ring

German Technology Equipment

**SHIELD FLEX**

New-Standard

- DME&JDE Code:** DAOF3L245
- Product Type:** Hydraulic adaptor
- Standard:** ORFS
- Structure:** Run Tee
- Connection Type:** Male x Swivel Female x Swivel Female
- Thread Types:** UNF x UNF x UNF
- Sealing Method:** O Ring



PART NUMBER	F1 (Thread)	F2 (Thread)	F3 (Thread)	D1	D2	D3	L1	L2	L3	S	S1	S2	Hex
#	UNF	UNF	UNF	mm	mm	mm	mm	mm	mm	-	-	-	-
DAOF3L245-0404	9/16"-18	9/16"-18	9/16"-18	4.37	4.19	4.19	21.60	34.60	34.60	14 mm	17 mm	17 mm	Metric
DAOF3L245-0404IN	9/16"-18	9/16"-18	9/16"-18	4.37	4.19	4.19	21.60	34.60	34.60	9/16"	11/16"	11/16"	Imperial
DAOF3L245-0606	11/16"-16	11/16"-16	11/16"-16	6.71	6.71	6.71	24.90	38.70	38.70	19 mm	22 mm	22 mm	Metric
DAOF3L245-0606IN	11/16"-16	11/16"-16	11/16"-16	6.71	6.71	6.71	24.90	38.70	38.70	3/4"	7/8"	7/8"	Imperial
DAOF3L245-0808	13/16"-16	13/16"-16	13/16"-16	9.60	9.09	9.09	27.90	49.00	49.00	19 mm	24 mm	24 mm	Metric
DAOF3L245-0808IN	13/16"-16	13/16"-16	13/16"-16	9.60	9.09	9.09	27.90	49.00	49.00	3/4"	15/16"	15/16"	Imperial
DAOF3L245-1010	1"-14	1"-14	1"-14	12.29	11.51	11.51	33.27	54.30	54.30	27 mm	30 mm	30 mm	Metric
DAOF3L245-1010IN	1"-14	1"-14	1"-14	12.29	11.51	11.51	33.27	54.30	54.30	1-1/16"	1-1/8"	1-1/8"	Imperial
DAOF3L245-1212	1-3/16"-12	1-3/16"-12	1-3/16"-12	15.47	13.89	13.89	37.30	60.80	60.80	32 mm	36 mm	36 mm	Metric
DAOF3L245-1212IN	1-3/16"-12	1-3/16"-12	1-3/16"-12	15.47	13.89	13.89	37.30	60.80	60.80	1-1/4"	1-3/8"	1-3/8"	Imperial
DAOF3L245-1616	1-7/16"-12	1-7/16"-12	1-7/16"-12	20.60	19.89	19.89	41.70	68.20	68.20	36 mm	41 mm	41 mm	Metric
DAOF3L245-1616IN	1-7/16"-12	1-7/16"-12	1-7/16"-12	20.60	19.89	19.89	41.70	68.20	68.20	1-3/8"	1-5/8"	1-5/8"	Imperial

## DAOF5X245

Cross Connector ORFS Male

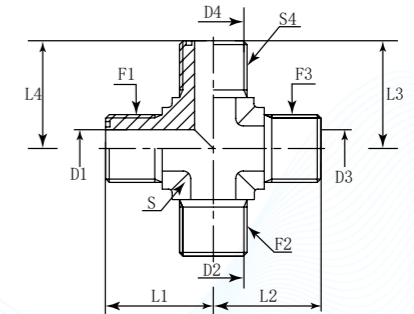
<b>D</b>	<b>A</b>	<b>OF</b>	<b>5</b>	<b>X</b>	<b>24</b>	<b>5</b>
Company	Product Range	Thread Types	Connection Type	Adaptor Structure	Thread Types	Connection Type
<b>DME</b>	Adaptor	ORFS UNF	Male	Cross	ORFS UNF	Male

German Technology Equipment

**SHIELD FLEX**

New-Standard

- DME&JDE Code:** DAOF5X245
- Product Type:** Hydraulic adaptor
- Standard:** ORFS
- Structure:** Cross
- Connection Type:** Male x Male x Male x Male
- Thread Types:** UNF x UNF x UNF x UNF



PART NUMBER	F1 (Thread)	F2 (Thread)	F3 (Thread)	F4 (Thread)	L1	L2	L3	L4	D1	D2	D3	D4	S	Hex
#	UNF	UNF	UNF	UNF	mm	mm	mm	mm	mm	mm	mm	mm	-	-
DAOF5X245-0404	9/16"-18	9/16"-18	9/16"-18	9/16"-18	21.60	21.60	21.60	21.60	4.50	4.50	4.50	4.50	14 mm	Metric
DAOF5X245-0404IN	9/16"-18	9/16"-18	9/16"-18	9/16"-18	21.60	21.60	21.60	21.60	4.50	4.50	4.50	4.50	9/16"	Imperial
DAOF5X245-0606	11/16"-16	11/16"-16	11/16"-16	11/16"-16	24.90	24.90	24.90	24.90	6.50	6.50	6.50	6.50	19 mm	Metric
DAOF5X245-0606IN	11/16"-16	11/16"-16	11/16"-16	11/16"-16	24.90	24.90	24.90	24.90	6.50	6.50	6.50	6.50	3/4"	Imperial
DAOF5X245-0808	13/16"-16	13/16"-16	13/16"-16	13/16"-16	28.00	28.00	28.00	28.00	9.60	9.60	9.60	9.60	19 mm	Metric
DAOF5X245-0808IN	13/16"-16	13/16"-16	13/16"-16	13/16"-16	28.00	28.00	28.00	28.00	9.60	9.60	9.60	9.60	3/4"	Imperial
DAOF5X245-1010	1"-14	1"-14	1"-14	1"-14	33.30	33.30	33.30	33.30	12.29	12.29	12.29	12.29	27 mm	Metric
DAOF5X245-1010IN	1"-14	1"-14	1"-14	1"-14	33.30	33.30	33.30	33.30	12.29	12.29	12.29	12.29	1-1/8"	Imperial
DAOF5X245-1212	1-3/16"-12	1-3/16"-12	1-3/16"-12	1-3/16"-12	37.50	37.50	37.50	37.50	15.50	15.50	15.50	15.50	30 mm	Metric
DAOF5X245-1212IN	1-3/16"-12	1-3/16"-12	1-3/16"-12	1-3/16"-12	37.50	37.50	37.50	37.50	15.50	15.50	15.50	15.50	1-3/16"	Imperial
DAOF5X245-1616	1-7/16"-12	1-7/16"-12	1-7/16"-12	1-7/16"-12	41.50	41.50	41.50	41.50	20.50	20.50	20.50	20.50	36 mm	Metric
DAOF5X245-1616IN	1-7/16"-12	1-7/16"-12	1-7/16"-12	1-7/16"-12	41.50	41.50	41.50	41.50	20.50	20.50	20.50	20.50	1-3/8"	Imperial
DAOF5X245-2020	1-11/16"-12	1-11/16"-12	1-11/16"-12	1-11/16"-12	44.70	44.70	44.70	44.70	26.00	26.00	26.00	26.00	41 mm	Metric
DAOF5X245-2020IN	1-11/16"-12	1-11/16"-12	1-11/16"-12	1-11/16"-12	44.70	44.70	44.70	44.70	26.00	26.00	26.00	26.00	1-5/8"	Imperial
DAOF5X245-2424	2"-12	2"-12	2"-12	2"-12	48.80	48.80	48.80	48.80	32.00	32.00	32.00	32.00	48 mm	Metric
DAOF5X245-2424IN	2"-12	2"-12	2"-12	2"-12	48.80	48.80	48.80	48.80	32.00	32.00	32.00	32.00	1-7/8"	Imperial





# Hydraulic Adaptors

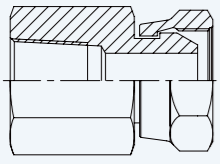
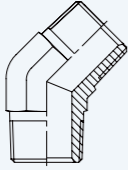
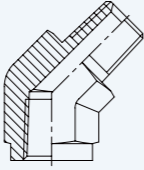
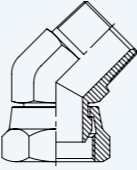
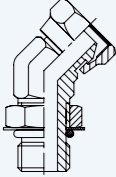
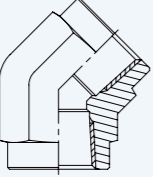
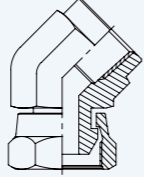
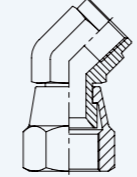
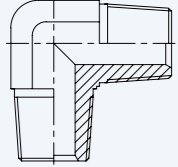
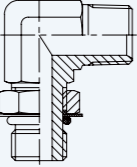
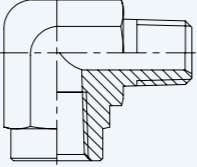
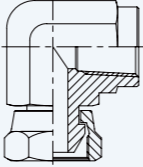
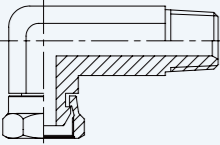
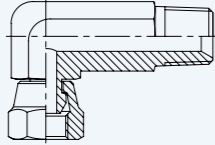
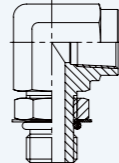
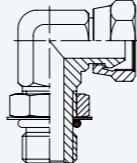
## NPTF »

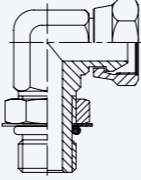
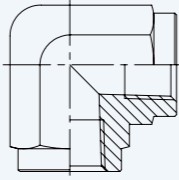
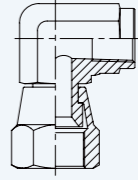
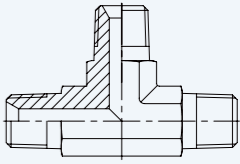
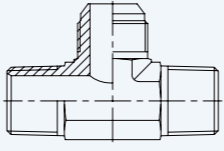
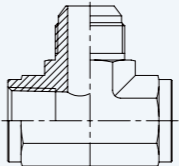
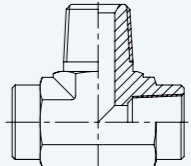
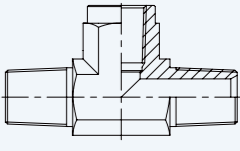
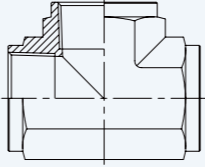
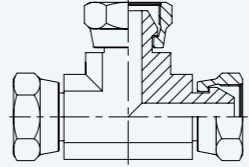
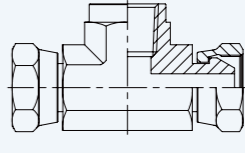
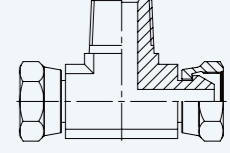
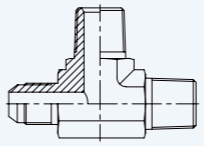
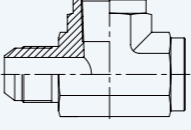
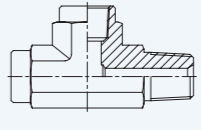
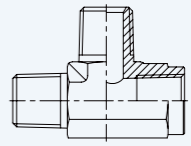
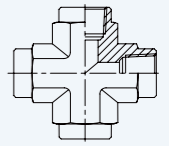


<p><b>DANPM128M</b> P497</p> <p>Straight Connector NPTF Male 60° - NPTF Male 60°</p>	<p><b>DANPM1061</b> P500</p> <p>Straight Connector NPTF Male 60° - BSPP 60° Male with ED Ring</p>	<p><b>DANPM1305</b> P501</p> <p>Straight Connector NPTF Male 60° - SAE Male O Ring</p>	<p><b>DANPM1000</b> P503</p> <p>NPTF Male Plug</p>
<p><b>DANPM128FR</b> P504</p> <p>Straight Bushing Connector NPTF Male 60° - NPTF Female</p>	<p><b>DANPM128F</b> P506</p> <p>Straight Connector NPTF Male 60° - NPTF Female</p>	<p><b>DANPM105F</b> P508</p> <p>Straight Connector NPTF Male 60° - BSPP Female</p>	<p><b>DANPM1081</b> P509</p> <p>Straight Connector NPTF Male 60° - BSPP Swivel Female 60° Cone</p>
<p><b>DANPM1091</b> P510</p> <p>Straight Connector NPTF Male 60° - NPSM Swivel Female 60°</p>	<p><b>DANPF152Q</b> P512</p> <p>Straight Connector NPTF Female - Metric Male 24° + O Ring + Retaining Ring</p>	<p><b>DANPF1305</b> P513</p> <p>Straight Connector NPTF Female - SAE Male O Ring</p>	<p><b>DANPF106Q</b> P516</p> <p>Straight Connector NPTF Male 60° - BSPP Swivel Female 60° Cone</p>
<p><b>DANPS1305</b> P517</p> <p>Straight Connector NPSM Swivel Female 60° - SAE Male + O Ring</p>	<p><b>DANPF128F</b> P519</p> <p>Hexagon Straight Coupling NPTF Female - NPTF Female</p>	<p><b>DANP31000</b> P521</p> <p>Hexagon Socket Plug NPTF Male</p>	<p><b>DANP21000-HHP</b> P522</p> <p>Hexagon Socket Plug NPTF Male</p>





<p><b>DANPF1091</b> P523</p>  <p>Straight Connector NPTF Female - NPSM Swivel Female 60°</p>	<p><b>DANPM428M</b> P525</p>  <p>45° Elbow Connector NPTF Male 60° - NPTF Male 60°</p>	<p><b>DANPM428F</b> P526</p>  <p>45° Elbow Connector NPTF Male 60° - NPTF Female</p>	<p><b>DANPM4091</b> P527</p>  <p>45° Elbow Connector NPTF Male - NPSM Swivel Female 60°</p>
<p><b>DANPS4305</b> P528</p>  <p>45° Adjustable Elbow NPSM Swivel Female 60° - SAE Male O Ring</p>	<p><b>DANPF428F</b> P531</p>  <p>45° Elbow Connector NPTF Female - NPTF Female</p>	<p><b>DANPF4091</b> P532</p>  <p>45° Elbow Connector NPTF Female - NPSM Swivel Female 60°</p>	<p><b>DANPF4251</b> P533</p>  <p>45° Elbow Connector NPTF Female - JIC Swivel Female 74°</p>
<p><b>DANPM928M</b> P534</p>  <p>90° Elbow Connector NPTF Male 60° - NPTF Male 60°</p>	<p><b>DANPM9305</b> P535</p>  <p>90° Adjustable Elbow NPTF Male 60° - SAE Male O Ring</p>	<p><b>DANPM928F</b> P536</p>  <p>90° Elbow Connector NPTF Male 60° - NPTF Female</p>	<p><b>DANPF9091</b> P538</p>  <p>90° Elbow Connector NPTF Male - NPSM Swivel Female 60° Cone</p>
<p><b>DANPP9091</b> P539</p>  <p>90° Long Elbow Connector NPTF Male 60° - NPSM Swivel Female 60° Cone</p>	<p><b>DANPM9091-LL</b> P540</p>  <p>90° X-Long Elbow Connector NPTF Male 60° - NPSM Swivel Female 60° Cone</p>	<p><b>DANPF9305</b> P541</p>  <p>90° Adjustable Elbow NPTF Female - SAE Male + O Ring</p>	<p><b>DANPS9305</b> P542</p>  <p>90° Adjustable Elbow NPSM Swivel Female 60° - SAE Male O Ring</p>

<p><b>DANPS906Q</b> P544</p>  <p>90° Adjustable Elbow NPSM Swivel Female 60° - BSPP Male + O Ring + Retaining Ring</p>	<p><b>DANPF928F</b> P545</p>  <p>90° Elbow Connector NPTF Female - NPTF Female</p>	<p><b>DANPF9251</b> P546</p>  <p>90° Elbow Connector NPTF Female - JIC Swivel Female 74°</p>	<p><b>DANPMT28M</b> P547</p>  <p>Branch Tee Connector NPTF Male 60° - NPTF Male 60°</p>
<p><b>DANPMT25M</b> P548</p>  <p>Branch Tee Connector NPTF Male 60° - JIC Male 74°</p>	<p><b>DANPFT25M</b> P549</p>  <p>Branch Tee Connector NPTF Female - JIC Male 74°</p>	<p><b>DANPFT28M</b> P550</p>  <p>Branch Tee Connector NPTF Female - NPTF Male 60°</p>	<p><b>DANPMT28F</b> P551</p>  <p>Branch Tee Connector NPTF Male 60° - NPTF Female</p>
<p><b>DANPFT28F</b> P552</p>  <p>Branch Tee Connector NPTF Female - NPTF Female</p>	<p><b>DANPST091</b> P553</p>  <p>Branch Tee Connector NPSM Swivel Female 60° - NPSM Swivel Female 60°</p>	<p><b>DANPST28F</b> P554</p>  <p>Branch Tee Connector NPSM Swivel Female 60° - NPTF Female</p>	<p><b>DANPST28M</b> P555</p>  <p>Branch Tee Connector NPSM Swivel Female 60° - NPTF Male 60°</p>
<p><b>DANPML25M</b> P556</p>  <p>Run Tee Connector NPTF Male 60° - JIC Male 74°</p>	<p><b>DANPFL25M</b> P557</p>  <p>Run Tee Connector NPTF Male 60° - JIC Male 74°</p>	<p><b>DANPFL28M</b> P558</p>  <p>Run Tee Connector NPTF Female - NPTF Male 60°</p>	<p><b>DANPML28F</b> P559</p>  <p>Run Tee Connector NPTF Male 60° - NPTF Female</p>
<p><b>DANPFX28F</b> P560</p>  <p>Run Tee Connector NPTF Male 60° - NPTF Female</p>			

# DANPM128M

Straight Connector NPTF Male 60° - NPTF Male 60°

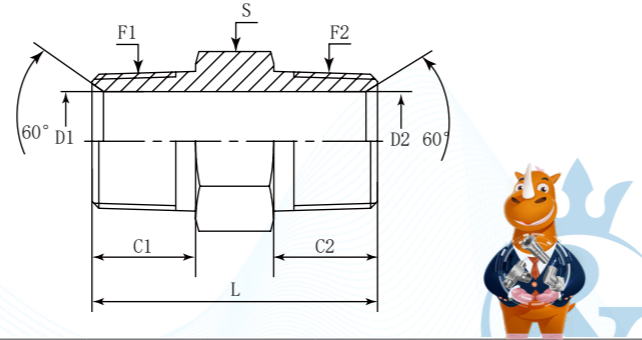
<b>D</b>	<b>A</b>	<b>NP</b>	<b>M</b>	<b>1</b>	<b>28</b>	<b>M</b>
Company	Product Range	Thread Types	Connection Type	Adaptor Structure	Thread Types	Connection Type
<b>DME</b>	Adaptor	NPTF	Male	Straight	NPTF	Male

German Technology Equipment

**SHIELD FLEX**

New-Standard

- DME&JDE Code: **DANPM128M**
- Product Type: **Hydraulic Adaptor**
- Standard: **NPTF**
- Structure: **Straight**
- Connection Type: **Male x Male**
- Thread Types: **NPTF 60° x NPTF 60°**



PART NUMBER	F1 (Thread)	F2 (Thread)	C1	C2	D1	D2	L	S	Hex
#	NPTF	NPTF	mm	mm	mm	mm	mm	-	-
DANPM128M-0202	1/8"-27	1/8"-27	9.65	9.65	4.78	4.78	26.90	11 mm	Metric
DANPM128M-0202IN	1/8"-27	1/8"-27	9.65	9.65	4.78	4.78	26.90	7/16"	Imperial
DANPM128M-0402	1/4"-18	1/8"-27	14.22	9.65	7.14	4.78	32.00	17 mm	Metric
DANPM128M-0404	1/4"-18	1/4"-18	14.22	14.22	7.14	7.14	36.84	17 mm	Metric
DANPM128M-0402IN	1/4"-18	1/8"-27	14.22	9.65	7.14	4.78	32.00	5/8"	Imperial
DANPM128M-0404IN	1/4"-18	1/4"-18	14.22	14.22	7.14	7.14	36.84	5/8"	Imperial
DANPM128M-0602	3/8"-18	1/8"-27	14.22	9.65	10.31	4.78	32.00	19 mm	Metric
DANPM128M-0604	3/8"-18	1/4"-18	14.22	14.22	10.31	7.14	36.83	19 mm	Metric
DANPM128M-0606	3/8"-18	3/8"-18	14.22	14.22	10.31	10.31	36.26	19 mm	Metric
DANPM128M-0602IN	3/8"-18	1/8"-27	14.22	9.65	10.31	4.78	32.00	3/4"	Imperial
DANPM128M-0604IN	3/8"-18	1/4"-18	14.22	14.22	10.31	7.14	36.83	3/4"	Imperial
DANPM128M-0606IN	3/8"-18	3/8"-18	14.22	14.22	10.31	10.31	36.26	3/4"	Imperial
DANPM128M-0802	1/2"-14	1/8"-27	19.05	9.65	13.49	4.78	38.60	22 mm	Metric
DANPM128M-0804	1/2"-14	1/4"-18	19.05	14.22	13.49	7.14	43.20	22 mm	Metric
DANPM128M-0806	1/2"-14	3/8"-18	19.05	14.22	13.49	10.31	43.20	22 mm	Metric

DANPM128M-0808	1/2"-14	1/2"-14	19.05	19.05	13.49	13.49	48.00	22 mm	Metric
DANPM128M-0802IN	1/2"-14	1/8"-27	19.05	9.65	13.49	4.78	38.60	7/8"	Imperial
DANPM128M-0804IN	1/2"-14	1/4"-18	19.05	14.22	13.49	7.14	43.20	7/8"	Imperial
DANPM128M-0806IN	1/2"-14	3/8"-18	19.05	14.22	13.49	10.31	43.20	7/8"	Imperial
DANPM128M-0808IN	1/2"-14	1/2"-14	19.05	19.05	13.49	13.49	48.00	7/8"	Imperial
DANPM128M-1204	3/4"-14	1/4"-18	19.05	14.22	18.26	7.14	45.00	27 mm	Metric
DANPM128M-1206	3/4"-14	3/8"-18	19.05	14.22	18.26	10.31	45.00	27 mm	Metric
DANPM128M-1208	3/4"-14	1/2"-14	19.05	19.05	18.26	13.49	49.80	27 mm	Metric
DANPM128M-1212	3/4"-14	3/4"-14	19.05	19.05	18.26	18.26	49.78	27 mm	Metric
DANPM128M-1204IN	3/4"-14	1/4"-18	19.05	14.22	18.26	7.14	45.00	1-1/8"	Imperial
DANPM128M-1206IN	3/4"-14	3/8"-18	19.05	14.22	18.26	10.31	45.00	1-1/8"	Imperial
DANPM128M-1208IN	3/4"-14	1/2"-14	19.05	19.05	18.26	13.49	49.80	1-1/8"	Imperial
DANPM128M-1212IN	3/4"-14	3/4"-14	19.05	19.05	18.26	18.26	49.78	1-1/8"	Imperial
DANPM128M-1604	1"-11-1/2	1/4"-18	23.88	14.22	23.83	7.14	49.80	36 mm	Metric
DANPM128M-1606	1"-11-1/2	3/8"-18	23.88	14.22	23.83	10.31	49.80	36 mm	Metric
DANPM128M-1608	1"-11-1/2	1/2"-14	23.88	19.05	23.83	13.49	53.09	36 mm	Metric
DANPM128M-1612	1"-11-1/2	3/4"-14	23.88	19.05	23.83	18.26	54.61	36 mm	Metric
DANPM128M-1616	1"-11-1/2	1"-11-1/2	23.88	23.88	23.83	23.83	59.44	36 mm	Metric
DANPM128M-1604IN	1"-11-1/2	1/4"-18	23.88	14.22	23.83	7.14	49.80	1-3/8"	Imperial
DANPM128M-1606IN	1"-11-1/2	3/8"-18	23.88	14.22	23.83	10.31	49.80	1-3/8"	Imperial
DANPM128M-1608IN	1"-11-1/2	1/2"-14	23.88	19.05	23.83	13.49	53.09	1-3/8"	Imperial
DANPM128M-1612IN	1"-11-1/2	3/4"-14	23.88	19.05	23.83	18.26	54.61	1-3/8"	Imperial
DANPM128M-1616IN	1"-11-1/2	1"-11-1/2	23.88	23.88	23.83	23.83	59.44	1-3/8"	Imperial
DANPM128M-2008	1-1/4"-11-1/2	1/2"-14	24.64	19.05	31.75	13.49	57.50	46 mm	Metric
DANPM128M-2012	1-1/4"-11-1/2	3/4"-14	24.64	19.05	31.75	18.26	57.40	46 mm	Metric
DANPM128M-2016	1-1/4"-11-1/2	1"-11-1/2	24.64	23.88	31.75	23.83	62.30	46 mm	Metric
DANPM128M-2020	1-1/4"-11-1/2	1-1/4"-11-1/2	24.64	24.64	31.75	31.75	63.00	46 mm	Metric



DANPM128M-2008IN	1-1/4"-11-1/2	1/2"-14	24.64	19.05	31.75	13.49	57.50	1-3/4"	Imperial
DANPM128M-2012IN	1-1/4"-11-1/2	3/4"-14	24.64	19.05	31.75	18.26	57.40	1-3/4"	Imperial
DANPM128M-2016IN	1-1/4"-11-1/2	1"-11-1/2	24.64	23.88	31.75	23.83	62.30	1-3/4"	Imperial
DANPM128M-2020IN	1-1/4"-11-1/2	1-1/4"-11-1/2	24.64	24.64	31.75	31.75	63.00	1-3/4"	Imperial
DANPM128M-2412	1-1/2"-11-1/2	3/4"-14	25.40	19.05	38.10	18.26	60.45	50 mm	Metric
DANPM128M-2416	1-1/2"-11-1/2	1"-11-1/2	25.40	23.88	38.10	23.83	64.80	50 mm	Metric
DANPM128M-2420	1-1/2"-11-1/2	1-1/4"-11-1/2	25.40	24.64	38.10	31.75	66.29	50 mm	Metric
DANPM128M-2424	1-1/2"-11-1/2	1-1/2"-11-1/2	25.40	25.40	38.10	38.10	66.30	50 mm	Metric
DANPM128M-2412IN	1-1/2"-11-1/2	3/4"-14	25.40	19.05	38.10	18.26	60.45	2"	Imperial
DANPM128M-2416IN	1-1/2"-11-1/2	1"-11-1/2	25.40	23.88	38.10	23.83	64.80	2"	Imperial
DANPM128M-2420IN	1-1/2"-11-1/2	1-1/4"-11-1/2	25.40	24.64	38.10	31.75	66.29	2"	Imperial
DANPM128M-2424IN	1-1/2"-11-1/2	1-1/2"-11-1/2	25.40	25.40	38.10	38.10	66.30	2"	Imperial
DANPM128M-3212	2"-11-1/2	3/4"-14	26.16	19.05	49.23	18.26	64.50	65 mm	Metric
DANPM128M-3216	2"-11-1/2	1"-11-1/2	26.16	23.88	49.23	23.83	69.30	65 mm	Metric
DANPM128M-3220	2"-11-1/2	1-1/4"-11-1/2	26.16	24.64	49.23	31.75	70.10	65 mm	Metric
DANPM128M-3224	2"-11-1/2	1-1/2"-11-1/2	26.16	25.40	49.23	38.10	70.87	65 mm	Metric
DANPM128M-3232	2"-11-1/2	2"-11-1/2	26.20	26.20	49.23	49.23	71.63	65 mm	Metric
DANPM128M-3212IN	2"-11-1/2	3/4"-14	26.16	19.05	49.23	18.26	64.50	2-1/2"	Imperial
DANPM128M-3216IN	2"-11-1/2	1"-11-1/2	26.16	23.88	49.23	23.83	69.30	2-1/2"	Imperial
DANPM128M-3220IN	2"-11-1/2	1-1/4"-11-1/2	26.16	24.64	49.23	31.75	70.10	2-1/2"	Imperial
DANPM128M-3224IN	2"-11-1/2	1-1/2"-11-1/2	26.16	25.40	49.23	38.10	70.87	2-1/2"	Imperial
DANPM128M-3232IN	2"-11-1/2	2"-11-1/2	26.20	26.20	49.23	49.23	71.63	2-1/2"	Imperial
DANPM128M-4040	2-1/2"-8	2-1/2"-8	38.86	38.86	59.00	59.00	96.40	85 mm	Metric
DANPM128M-4040IN	2-1/2"-8	2-1/2"-8	38.86	38.86	59.00	59.00	96.40	3-1/4"	Imperial
DANPM128M-4848	3"-8	3"-8	41.40	41.40	70.64	70.64	103.50	90 mm	Metric
DANPM128M-4848IN	3"-8	3"-8	41.40	41.40	70.64	70.64	103.50	3-9/16"	Imperial

## DANPM1061

Straight Connector NPTF Male 60° - BSPP 60° Male with ED Ring

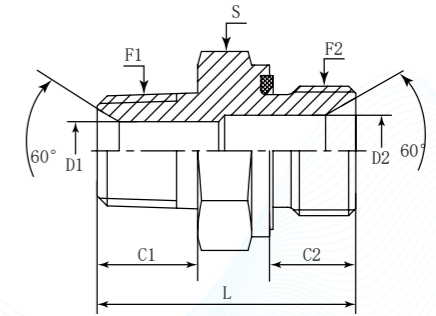
<b>D</b>	<b>A</b>	<b>NP</b>	<b>M</b>	<b>1</b>	<b>061</b>
Company	Product Range	Thread Types	Connection Type	Adaptor Structure	Connection Type
<b>DME</b>	Adaptor	NPTF	Male	Straight	BSPP Male with ED Ring

German Technology Equipment

**SHIELD FLEX**

New-Standard

- DME&JDE Code:** DANPM1061
- Product Type:** Hydraulic Adaptor
- Standard:** NPTF
- Structure:** Straight
- Connection Type:** Male x Male
- Thread Types:** NPTF 60° x BSPP 60°
- Sealing Method:** ED Ring



PART NUMBER	F1 (Thread)	F2 (Thread)	C1	C2	D1	D2	L	S
#	NPTF	BSPP	mm	mm	mm	mm	mm	mm
DANPM1061-0404	1/4"-18	1/4"-19	14.22	12.00	6.00	6.00	35.50	19.00
DANPM1061-0606	3/8"-18	3/8"-19	14.22	12.00	10.31	7.90	36.00	22.00
DANPM1061-0808	1/2"-14	1/2"-14	19.05	14.00	13.49	11.10	43.00	27.00
DANPM1061-1212	3/4"-14	3/4"-14	19.05	16.00	20.65	17.50	50.00	32.00



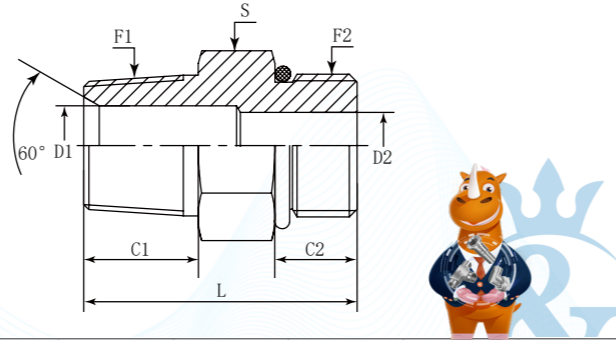
# DANPM1305

Straight Connector NPTF Male 60° - SAE Male O Ring

<b>D</b>	<b>A</b>	<b>NP</b>	<b>M</b>	<b>1</b>	<b>30</b>	<b>5</b>
Company	Product Range	Thread Types	Connection Type	Adaptor Structure	Thread Types	Connection Type
<b>DME</b>	Adaptor	NPTF	Male	Straight	SAE UNF	Male O Ring



- DME&JDE Code:** DANPM1305
- Product Type:** Hydraulic Adaptor
- Standard:** NPTF
- Structure:** Straight
- Connection Type:** Male x Male
- Thread Types:** NPTF 60° x SAE UNF
- Sealing Method:** O Ring



PART NUMBER	F1 (Thread)	F2 (Thread)	C1	C2	D1	D2	L	S	Hex
#	NPTF	UNF	mm	mm	mm	mm	mm	-	-
DANPM1305-0202	1/8"-27	5/16"-24	9.65	7.54	4.78	1.57	25.65	11 mm	Metric
DANPM1305-0203	1/8"-27	3/8"-24	9.65	7.54	4.78	3.18	25.50	12 mm	Metric
DANPM1305-0204	1/8"-27	7/16"-20	9.65	9.14	4.37	4.37	26.70	14 mm	Metric
DANPM1305-0205	1/8"-27	1/2"-20	9.65	9.14	4.78	4.78	26.90	17 mm	Metric
DANPM1305-0206	1/8"-27	9/16"-18	9.65	9.93	4.78	7.54	28.70	17 mm	Metric
DANPM1305-0202IN	1/8"-27	5/16"-24	9.65	7.54	4.78	1.57	25.65	7/16"	Imperial
DANPM1305-0203IN	1/8"-27	3/8"-24	9.65	7.54	4.78	3.18	25.50	1/2"	Imperial
DANPM1305-0204IN	1/8"-27	7/16"-20	9.65	9.14	4.37	4.37	26.70	9/16"	Imperial
DANPM1305-0205IN	1/8"-27	1/2"-20	9.65	9.14	4.78	4.78	26.90	5/8"	Imperial
DANPM1305-0206IN	1/8"-27	9/16"-18	9.65	9.93	4.78	7.54	28.70	11/16"	Imperial
DANPM1305-0403	1/4"-18	3/8"-24	14.22	7.54	7.14	3.18	29.70	14 mm	Metric
DANPM1305-0404	1/4"-18	7/16"-20	14.22	9.14	7.14	4.37	31.30	14 mm	Metric
DANPM1305-0405	1/4"-18	1/2"-20	14.22	9.14	5.94	5.94	31.20	17 mm	Metric
DANPM1305-0406	1/4"-18	9/16"-18	14.22	9.93	7.14	7.54	32.80	17 mm	Metric
DANPM1305-0408	1/4"-18	3/4"-16	14.22	11.13	7.14	9.93	34.54	22 mm	Metric
DANPM1305-0410	1/4"-18	7/8"-14	14.22	12.70	7.14	12.29	36.83	27 mm	Metric
DANPM1305-0403IN	1/4"-18	3/8"-24	14.22	7.54	7.14	3.18	29.70	9/16"	Imperial
DANPM1305-0404IN	1/4"-18	7/16"-20	14.22	9.14	7.14	4.37	31.30	9/16"	Imperial
DANPM1305-0405IN	1/4"-18	1/2"-20	14.22	9.14	5.94	5.94	31.20	5/8"	Imperial
DANPM1305-0406IN	1/4"-18	9/16"-18	14.22	9.93	7.14	7.54	32.80	11/16"	Imperial
DANPM1305-0408IN	1/4"-18	3/4"-16	14.22	11.13	7.14	9.93	34.54	7/8"	Imperial
DANPM1305-0410IN	1/4"-18	7/8"-14	14.22	12.70	7.14	12.29	36.83	1"	Imperial
DANPM1305-0604	3/8"-18	7/16"-20	14.22	9.14	10.31	4.37	33.30	19 mm	Metric
DANPM1305-0606	3/8"-18	9/16"-18	14.22	9.93	10.31	7.54	32.00	22 mm	Metric
DANPM1305-0608	3/8"-18	3/4"-16	14.22	11.13	9.93	9.93	35.30	22 mm	Metric
DANPM1305-0610	3/8"-18	7/8"-14	14.22	12.70	10.31	12.29	38.10	27 mm	Metric
DANPM1305-0612	3/8"-18	1-1/16"-12	14.22	15.09	10.31	15.47	41.21	32 mm	Metric
DANPM1305-0604IN	3/8"-18	7/16"-20	14.22	9.14	10.31	4.37	33.30	3/4"	Imperial

Web: <https://www.dmejde.com>  
E-mail: [info@dmejde.com](mailto:info@dmejde.com)



DANPM1305-0606IN	3/8"-18	9/16"-18	14.22	9.93	10.31	7.54	32.00	13/16"	Imperial
DANPM1305-0608IN	3/8"-18	3/4"-16	14.22	11.13	9.93	9.93	35.30	7/8"	Imperial
DANPM1305-0610IN	3/8"-18	7/8"-14	14.22	12.70	10.31	12.29	38.10	1"	Imperial
DANPM1305-0612IN	3/8"-18	1-1/16"-12	14.22	15.09	10.31	15.47	41.21	1-1/4"	Imperial
DANPM1305-0806	1/2"-14	9/16"-18	19.05	9.93	13.49	7.54	39.10	22 mm	Metric
DANPM1305-0808	1/2"-14	3/4"-16	19.05	11.13	13.49	9.93	38.81	22 mm	Metric
DANPM1305-0810	1/2"-14	7/8"-14	19.05	12.70	13.49	12.29	41.91	27 mm	Metric
DANPM1305-0812	1/2"-14	1-1/16"-12	19.05	15.09	13.49	15.47	46.74	32 mm	Metric
DANPM1305-0816	1/2"-14	1-5/16"-12	19.05	15.09	13.49	21.44	46.84	41 mm	Metric
DANPM1305-0806IN	1/2"-14	9/16"-18	19.05	9.93	13.49	7.54	39.10	7/8"	Imperial
DANPM1305-0808IN	1/2"-14	3/4"-16	19.05	11.13	13.49	9.93	38.81	7/8"	Imperial
DANPM1305-0810IN	1/2"-14	7/8"-14	19.05	12.70	13.49	12.29	41.91	1"	Imperial
DANPM1305-0812IN	1/2"-14	1-1/16"-12	19.05	15.09	13.49	15.47	46.74	1-1/4"	Imperial
DANPM1305-0816IN	1/2"-14	1-5/16"-12	19.05	15.09	13.49	21.44	46.84	1-1/2"	Imperial
DANPM1305-1204	3/4"-14	7/16"-20	19.05	9.14	18.26	4.37	40.50	27 mm	Metric
DANPM1305-1206	3/4"-14	9/16"-18	19.05	9.93	18.26	7.54	41.30	27 mm	Metric
DANPM1305-1208	3/4"-14	3/4"-16	19.05	11.13	18.26	9.93	41.50	27 mm	Metric
DANPM1305-1210	3/4"-14	7/8"-14	19.05	12.70	18.26	12.29	43.10	27 mm	Metric
DANPM1305-1212	3/4"-14	1-1/16"-12	19.05	15.09	18.26	15.47	43.94	32 mm	Metric
DANPM1305-1216	3/4"-14	1-5/16"-12	19.05	15.09	18.26	21.44	49.80	41 mm	Metric
DANPM1305-1220	3/4"-14	1-5/8"-12	19.05	15.09	18.26	27.38	50.00	50 mm	Metric
DANPM1305-1204IN	3/4"-14	7/16"-20	19.05	9.14	18.26	4.37	40.50	1-1/16"	Imperial
DANPM1305-1206IN	3/4"-14	9/16"-18	19.05	9.93	18.26	7.54	41.30	1-1/16"	Imperial
DANPM1305-1208IN	3/4"-14	3/4"-16	19.05	11.13	18.26	9.93	41.50	1-1/16"	Imperial
DANPM1305-1210IN	3/4"-14	7/8"-14	19.05	12.70	18.26	12.29	43.10	1-1/8"	Imperial
DANPM1305-1212IN	3/4"-14	1-1/16"-12	19.05	15.09	18.26	15.47	43.94	1-1/4"	Imperial
DANPM1305-1216IN	3/4"-14	1-5/16"-12	19.05	15.09	18.26	21.44	49.80	1-1/2"	Imperial
DANPM1305-1220IN	3/4"-14	1-5/8"-12	19.05	15.09	18.26	27.38	50.00	1-7/8"	Imperial
DANPM1305-1606	1"-11-1/2	9/16"-18	23.88	9.93	23.83	7.54	46.00	36 mm	Metric
DANPM1305-1608	1"-11-1/2	3/4"-16	23.88	11.13	23.83	9.93	47.00	36 mm	Metric
DANPM1305-1612	1"-11-1/2	1-1/16"-12	23.88	15.09	23.83	15.47	50.90	36 mm	Metric
DANPM1305-1614	1"-11-1/2	1-3/16"-12	23.88	15.09	23.83	18.26	45.20	36 mm	Metric
DANPM1305-1616	1"-11-1/2	1-5/16"-12	23.88	15.09	23.83	21.44	53.80	41 mm	Metric
DANPM1305-1620	1"-11-1/2	1-5/8"-12	23.88	15.09	23.83	27.38	54.66	50 mm	Metric
DANPM1305-1624	1"-11-1/2	1-7/8"-12	23.88	15.09	23.83	33.32	56.39	55 mm	Metric
DANPM1305-1606IN	1"-11-1/2	9/16"-18	23.88	9.93	23.83	7.54	46.00	1-3/8"	Imperial
DANPM1305-1608IN	1"-11-1/2	3/4"-16	23.88	11.13	23.83	9.93	47.00	1-3/8"	Imperial
DANPM1305-1612IN	1"-11-1/2	1-1/16"-12	23.88	15.09	23.83	15.47	50.90	1-3/8"	Imperial
DANPM1305-1614IN	1"-11-1/2	1-3/16"-12	23.88	15.09	23.83	18.26	45.20	1-3/8"	Imperial
DANPM1305-1616IN	1"-11-1/2	1-5/16"-12	23.88	15.09	23.83	21.44	53.80	1-1/2"	Imperial
DANPM1305-1620IN	1"-11-1/2	1-5/8"-12	23.88	15.09	23.83	27.38	54.66	1-7/8"	Imperial
DANPM1305-1624IN	1"-11-1/2	1-7/8"-12	23.88	15.09	23.83	33.32	56.39	2 1/8"	Imperial
DANPM1305-2016	1-1/4"-11-1/2	1-5/16"-12	24.64	15.09	31.75	21.44	56.80	46 mm	Metric
DANPM1305-2020	1-1/4"-11-1/2	1-5/8"-12	24.64	15.09	31.75	27.38	54.86	50 mm	Metric
DANPM1305-2016IN	1-1/4"-11-1/2	1-5/16"-12	24.64	15.09	31.75	21.44	56.80	1-3/4"	Imperial
DANPM1305-2020IN	1-1/4"-11-1/2	1-5/8"-12	24.64	15.09	31.75	27.38	54.86	1-7/8"	Imperial
DANPM1305-2420	1-1/2"-11-1/2	1-5/8"-12	25.40	15.09	38.10	27.38	60.96	50 mm	Metric
DANPM1305-2424	1-1/2"-11-1/2	1-7/8"-12	25.40	15.09	38.10	33.32	58.10	55 mm	Metric
DANPM1305-2420IN	1-1/2"-11-1/2	1-5/8"-12	25.40	15.09	38.10	27.38	60.96	2"	Imperial
DANPM1305-2424IN	1-1/2"-11-1/2	1-7/8"-12	25.40	15.09	38.10	33.32	58.10	2-1/8"	Imperial
DANPM1305-3232	2"-11-1/2	2-1/2"-12	26.16	15.09	49.23	45.24	63.00	70 mm	Metric
DANPM1305-3232IN	2"-11-1/2	2-1/2"-12	26.16	15.09	49.23	45.24	63.00	2-3/4"	Imperial



Web: <https://www.dmejde.com>  
E-mail: [info@dmejde.com](mailto:info@dmejde.com)



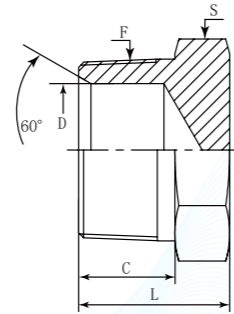
## DANPM1000

### NPTF Male Plug

<b>D</b>	<b>A</b>	<b>NP</b>	<b>M</b>	<b>1</b>	<b>000</b>
Company	Product Range	Thread Types	Connection Type	Adaptor Structure	Other Features
<b>DME</b>	Adaptor	NPTF	Male	Straight	Nut/Plug



DME&JDE Code:	DANPM1000
Product Type	Hydraulic Adaptor
Standard:	NPTF
Connection Type:	Male
Thread Types:	NPTF
Other Features:	Nut/Plug



PART NUMBER	F (Thread)	C	D	L	S	Hex
#	NPTF	mm	mm	mm	-	-
DANPM1000-0200	1/8"-27	9.65	4.78	14.25	11 mm	Metric
DANPM1000-0200IN	1/8"-27	9.65	4.78	14.25	7/16"	Imperial
DANPM1000-0200 Without Hole	1/8"-27	9.65	N/A	14.25	7/16"	Imperial
DANPM1000-0400	1/4"-18	14.22	7.14	18.82	14 mm	Metric
DANPM1000-0400IN	1/4"-18	14.22	7.14	18.82	9/16"	Imperial
DANPM1000-0400 Without Hole	1/4"-18	14.22	N/A	18.82	9/16"	Imperial
DANPM1000-0600	3/8"-18	14.22	10.31	19.60	17 mm	Metric
DANPM1000-0600IN	3/8"-18	14.22	10.31	19.60	11/16"	Imperial
DANPM1000-0600 Without Hole	3/8"-18	14.22	N/A	19.60	11/16"	Imperial
DANPM1000-0800	1/2"-14	19.05	13.49	24.44	22 mm	Metric
DANPM1000-0800IN	1/2"-14	19.05	13.49	24.44	7/8"	Imperial
DANPM1000-0800 Without Hole	1/2"-14	19.05	N/A	24.44	7/8"	Imperial
DANPM1000-1200	3/4"-14	19.05	18.26	28.75	27 mm	Metric
DANPM1000-1200IN	3/4"-14	19.05	18.26	28.75	1-1/8"	Imperial
DANPM1000-1200 Without Hole	3/4"-14	19.05	N/A	28.75	1-1/8"	Imperial
DANPM1000-1600	1"-11-1/2	23.88	23.83	34.58	36 mm	Metric
DANPM1000-1600IN	1"-11-1/2	23.88	23.83	34.58	1-3/8"	Imperial
DANPM1000-1600 Without Hole	1"-11-1/2	23.88	N/A	34.58	1-3/8"	Imperial
DANPM1000-2000	1-1/4"-11-1/2	24.64	31.75	36.34	46 mm	Metric
DANPM1000-2000IN	1-1/4"-11-1/2	24.64	31.75	36.34	1-3/4"	Imperial
DANPM1000-2000 Without Hole	1-1/4"-11-1/2	24.64	N/A	36.34	1-3/4"	Imperial
DANPM1000-2400	1-1/2"-11-1/2	25.40	38.10	39.90	50 mm	Metric
DANPM1000-2400IN	1-1/2"-11-1/2	25.40	38.10	39.90	2"	Imperial
DANPM1000-2400 Without Hole	1-1/2"-11-1/2	25.40	N/A	39.90	2"	Imperial
DANPM1000-3200	2"-11-1/2	26.16	49.23	43.50	60 mm	Metric
DANPM1000-3200IN	2"-11-1/2	26.16	49.23	43.50	2-1/2"	Imperial
DANPM1000-3200 Without Hole	2"-11-1/2	26.16	N/A	43.50	2-1/2"	Imperial
DANPM1000-4000	2-1/2"-8	38.86	59.00	57.50	85 mm	Metric
DANPM1000-4000IN	2-1/2"-8	38.86	59.00	57.50	3-1/4"	Imperial
DANPM1000-4000 Without Hole	2-1/2"-8	38.86	N/A	57.50	3-1/4"	Imperial



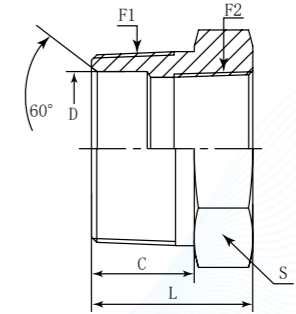
## DANPM128FR

### Straight Bushing Connector NPTF Male 60° - NPTF Female

<b>D</b>	<b>A</b>	<b>NP</b>	<b>M</b>	<b>1</b>	<b>28</b>	<b>F</b>	<b>R</b>
Company	Product Range	Thread Types	Connection Type	Adaptor Structure	Thread Types	Connection Type	Other Features
<b>DME</b>	Adaptor	NPTF	Male	Straight	NPTF	Female	Bushing



DME&JDE Code:	DANPM128FR
Product Type	Hydraulic Adaptor
Standard:	NPTF
Structure:	Straight
Connection Type:	Male x Female
Thread Types:	NPTF 60° x NPTF
Other Features:	Bushing



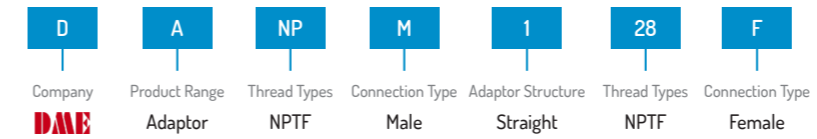
PART NUMBER	F1 (Thread)	F2 (Thread)	C	D	L	S	Hex
#	NPTF	NPTF	mm	mm	mm	-	-
DANPM128FR-0402	1/4"-18	1/8"-27	14.22	7.14	21.59	17 mm	Metric
DANPM128FR-0402IN	1/4"-18	1/8"-27	14.22	7.14	21.59	5/8"	Imperial
DANPM128FR-0602	3/8"-18	1/8"-27	14.22	10.31	21.59	19 mm	Metric
DANPM128FR-0604	3/8"-18	1/4"-18	14.22	10.31	21.59	19 mm	Metric
DANPM128FR-0602IN	3/8"-18	1/8"-27	14.22	10.31	21.59	3/4"	Imperial
DANPM128FR-0604IN	3/8"-18	1/4"-18	14.22	10.31	21.59	3/4"	Imperial
DANPM128FR-0802	1/2"-14	1/8"-27	19.05	13.49	27.94	22 mm	Metric
DANPM128FR-0804	1/2"-14	1/4"-18	19.05	13.49	27.90	22 mm	Metric
DANPM128FR-0806	1/2"-14	3/8"-18	19.05	13.49	27.90	22 mm	Metric
DANPM128FR-0802IN	1/2"-14	1/8"-27	19.05	13.49	27.94	7/8"	Imperial
DANPM128FR-0804IN	1/2"-14	1/4"-18	19.05	13.49	27.90	7/8"	Imperial
DANPM128FR-0806IN	1/2"-14	3/8"-18	19.05	13.49	27.90	7/8"	Imperial
DANPM128FR-1202	3/4"-14	1/8"-27	19.05	18.26	29.70	27 mm	Metric
DANPM128FR-1204	3/4"-14	1/4"-18	19.05	18.26	29.72	27 mm	Metric
DANPM128FR-1206	3/4"-14	3/8"-18	19.05	18.26	29.70	27 mm	Metric
DANPM128FR-1208	3/4"-14	1/2"-14	19.05	18.26	29.72	27 mm	Metric
DANPM128FR-1202IN	3/4"-14	1/8"-27	19.05	18.26	29.70	1-1/8"	Imperial
DANPM128FR-1204IN	3/4"-14	1/4"-18	19.05	18.26	29.72	1-1/8"	Imperial
DANPM128FR-1206IN	3/4"-14	3/8"-18	19.05	18.26	29.70	1-1/8"	Imperial
DANPM128FR-1208IN	3/4"-14	1/2"-14	19.05	18.26	29.72	1-1/8"	Imperial
DANPM128FR-1602	1"-11-1/2	1/8"-27	23.88	23.83	34.50	36 mm	Metric
DANPM128FR-1604	1"-11-1/2	1/4"-18	23.88	23.83	34.50	36 mm	Metric
DANPM128FR-1606	1"-11-1/2	3/8"-18	23.88	23.83	34.54	36 mm	Metric
DANPM128FR-1608	1"-11-1/2	1/2"-14	23.88	23.83	34.54	36 mm	Metric
DANPM128FR-1612	1"-11-1/2	3/4"-14	23.88	23.83	34.54	36 mm	Metric



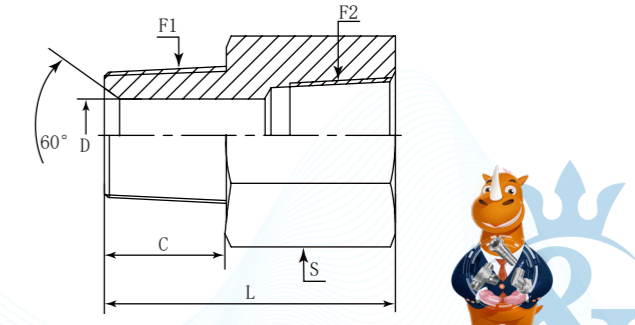
DANPM128FR-1602IN	1"-11-1/2	1/8"-27	23.88	23.83	34.50	1-3/8"	Imperial
DANPM128FR-1604IN	1"-11-1/2	1/4"-18	23.88	23.83	34.50	1-3/8"	Imperial
DANPM128FR-1606IN	1"-11-1/2	3/8"-18	23.88	23.83	34.54	1-3/8"	Imperial
DANPM128FR-1608IN	1"-11-1/2	1/2"-14	23.88	23.83	34.54	1-3/8"	Imperial
DANPM128FR-1612IN	1"-11-1/2	3/4"-14	23.88	23.83	34.54	1-3/8"	Imperial
DANPM128FR-2004	1-1/4"-11-1/2	1/4"-18	24.64	31.75	37.30	46 mm	Metric
DANPM128FR-2006	1-1/4"-11-1/2	3/8"-18	24.64	31.75	37.30	46 mm	Metric
DANPM128FR-2008	1-1/4"-11-1/2	1/2"-14	24.64	31.75	37.34	46 mm	Metric
DANPM128FR-2012	1-1/4"-11-1/2	3/4"-14	24.64	31.75	37.34	46 mm	Metric
DANPM128FR-2016	1-1/4"-11-1/2	1"-11-1/2	24.64	31.75	37.34	46 mm	Metric
DANPM128FR-2004IN	1-1/4"-11-1/2	1/4"-18	24.64	31.75	37.30	1-3/4"	Imperial
DANPM128FR-2006IN	1-1/4"-11-1/2	3/8"-18	24.64	31.75	37.30	1-3/4"	Imperial
DANPM128FR-2008IN	1-1/4"-11-1/2	1/2"-14	24.64	31.75	37.34	1-3/4"	Imperial
DANPM128FR-2012IN	1-1/4"-11-1/2	3/4"-14	24.64	31.75	37.34	1-3/4"	Imperial
DANPM128FR-2016IN	1-1/4"-11-1/2	1"-11-1/2	24.64	31.75	37.34	1-3/4"	Imperial
DANPM128FR-2404	1-1/2"-11-1/2	1/4"-18	25.40	38.10	39.88	50 mm	Metric
DANPM128FR-2406	1-1/2"-11-1/2	3/8"-18	25.40	38.10	39.90	50 mm	Metric
DANPM128FR-2408	1-1/2"-11-1/2	1/2"-14	25.40	38.10	39.90	50 mm	Metric
DANPM128FR-2412	1-1/2"-11-1/2	3/4"-14	25.40	38.10	39.88	50 mm	Metric
DANPM128FR-2416	1-1/2"-11-1/2	1"-11-1/2	25.40	38.10	39.88	50 mm	Metric
DANPM128FR-2420	1-1/2"-11-1/2	1-1/4"-11-1/2	25.40	38.10	39.88	50 mm	Metric
DANPM128FR-2404IN	1-1/2"-11-1/2	1/4"-18	25.40	38.10	39.88	2"	Imperial
DANPM128FR-2406IN	1-1/2"-11-1/2	3/8"-18	25.40	38.10	39.90	2"	Imperial
DANPM128FR-2408IN	1-1/2"-11-1/2	1/2"-14	25.40	38.10	39.90	2"	Imperial
DANPM128FR-2412IN	1-1/2"-11-1/2	3/4"-14	25.40	38.10	39.88	2"	Imperial
DANPM128FR-2416IN	1-1/2"-11-1/2	1"-11-1/2	25.40	38.10	39.88	2"	Imperial
DANPM128FR-2420IN	1-1/2"-11-1/2	1-1/4"-11-1/2	25.40	38.10	39.88	2"	Imperial
DANPM128FR-3204	2"-11-1/2	1/4"-18	26.16	49.23	44.45	60 mm	Metric
DANPM128FR-3206	2"-11-1/2	3/8"-18	26.16	49.23	44.45	60 mm	Metric
DANPM128FR-3208	2"-11-1/2	1/2"-14	26.16	49.23	44.45	60 mm	Metric
DANPM128FR-3212	2"-11-1/2	3/4"-14	26.16	49.23	44.50	60 mm	Metric
DANPM128FR-3216	2"-11-1/2	1"-11-1/2	26.16	49.23	44.50	60 mm	Metric
DANPM128FR-3220	2"-11-1/2	1-1/4"-11-1/2	26.16	49.23	44.45	60 mm	Metric
DANPM128FR-3224	2"-11-1/2	1-1/2"-11-1/2	26.16	49.23	44.45	60 mm	Metric
DANPM128FR-3204IN	2"-11-1/2	1/4"-18	26.16	49.23	44.45	2-1/2"	Imperial
DANPM128FR-3206IN	2"-11-1/2	3/8"-18	26.16	49.23	44.45	2-1/2"	Imperial
DANPM128FR-3208IN	2"-11-1/2	1/2"-14	26.16	49.23	44.45	2-1/2"	Imperial
DANPM128FR-3212IN	2"-11-1/2	3/4"-14	26.16	49.23	44.50	2-1/2"	Imperial
DANPM128FR-3216IN	2"-11-1/2	1"-11-1/2	26.16	49.23	44.50	2-1/2"	Imperial
DANPM128FR-3220IN	2"-11-1/2	1-1/4"-11-1/2	26.16	49.23	44.45	2-1/2"	Imperial
DANPM128FR-3224IN	2"-11-1/2	1-1/2"-11-1/2	26.16	49.23	44.45	2-1/2"	Imperial
DANPM128FR-4032	2-1/2"-8	2"-11-1/2	38.86	59.00	60.19	75 mm	Metric
DANPM128FR-4032IN	2-1/2"-8	2"-11-1/2	38.86	59.00	60.19	3"	Imperial
DANPM128FR-4832	3"-8	2"-11-1/2	41.40	70.64	61.80	95 mm	Metric
DANPM128FR-4832IN	3"-8	2"-11-1/2	41.40	70.64	61.80	3-3/4"	Imperial

## DANPM128F

Straight Connector NPTF Male 60° - NPTF Female



- DME&JDE Code:** DANPM128F
- Product Type:** Hydraulic Adaptor
- Standard:** NPTF
- Structure:** Straight
- Connection Type:** Male x Female
- Thread Types:** NPTF 60° x NPTF



PART NUMBER	F1 (Thread)	F2 (Thread)	C	D	L	S	Hex
#	NPTF	NPTF	mm	mm	mm	-	-
DANPM128F-0202	1/8"-27	1/8"-27	9.65	4.78	26.40	17 mm	Metric
DANPM128F-0204	1/8"-27	1/4"-18	9.65	4.78	30.70	19 mm	Metric
DANPM128F-0206	1/8"-27	3/8"-18	9.65	4.78	32.00	22 mm	Metric
DANPM128F-0208	1/8"-27	1/2"-14	9.65	4.78	38.00	27 mm	Metric
DANPM128F-0202IN	1/8"-27	1/8"-27	9.65	4.78	26.40	5/8"	Imperial
DANPM128F-0204IN	1/8"-27	1/4"-18	9.65	4.78	30.70	3/4"	Imperial
DANPM128F-0206IN	1/8"-27	3/8"-18	9.65	4.78	32.00	7/8"	Imperial
DANPM128F-0208IN	1/8"-27	1/2"-14	9.65	4.78	38.00	1-1/8"	Imperial
DANPM128F-0402	1/4"-18	1/8"-27	14.22	7.14	30.90	17 mm	Metric
DANPM128F-0404	1/4"-18	1/4"-18	14.22	7.14	35.30	19 mm	Metric
DANPM128F-0406	1/4"-18	3/8"-18	14.22	7.14	36.60	22 mm	Metric
DANPM128F-0408	1/4"-18	1/2"-14	14.22	7.14	42.70	27 mm	Metric
DANPM128F-0412	1/4"-18	3/4"-14	14.22	7.14	44.20	36 mm	Metric
DANPM128F-0416	1/4"-18	1"-11-1/2	14.22	7.14	50.50	41 mm	Metric
DANPM128F-0402IN	1/4"-18	1/8"-27	14.22	7.14	30.90	5/8"	Imperial
DANPM128F-0404IN	1/4"-18	1/4"-18	14.22	7.14	35.30	3/4"	Imperial
DANPM128F-0406IN	1/4"-18	3/8"-18	14.22	7.14	36.60	7/8"	Imperial
DANPM128F-0408IN	1/4"-18	1/2"-14	14.22	7.14	42.70	1-1/8"	Imperial
DANPM128F-0412IN	1/4"-18	3/4"-14	14.22	7.14	44.20	1-3/8"	Imperial
DANPM128F-0416IN	1/4"-18	1"-11-1/2	14.22	7.14	50.50	1-5/8"	Imperial
DANPM128F-0602	3/8"-18	1/8"-27	14.22	10.31	36.32	19 mm	Metric
DANPM128F-0604	3/8"-18	1/4"-18	14.22	10.31	36.30	19 mm	Metric
DANPM128F-0606	3/8"-18	3/8"-18	14.22	10.31	36.60	22 mm	Metric
DANPM128F-0608	3/8"-18	1/2"-14	14.22	10.31	42.70	27 mm	Metric
DANPM128F-0612	3/8"-18	3/4"-14	14.22	10.31	44.20	36 mm	Metric
DANPM128F-0602IN	3/8"-18	1/8"-27	14.22	10.31	36.32	3/4"	Imperial
DANPM128F-0604IN	3/8"-18	1/4"-18	14.22	10.31	36.30	3/4"	Imperial
DANPM128F-0606IN	3/8"-18	3/8"-18	14.22	10.31	36.60	7/8"	Imperial
DANPM128F-0608IN	3/8"-18	1/2"-14	14.22	10.31	42.70	1-1/8"	Imperial

Web: <https://www.dmejde.com>  
E-mail: [info@dmejde.com](mailto:info@dmejde.com)



Web: <https://www.dmejde.com>  
E-mail: [info@dmejde.com](mailto:info@dmejde.com)

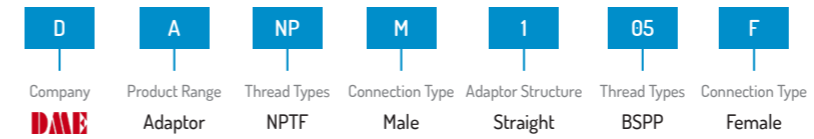




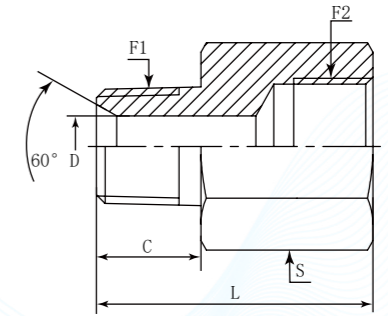
DANPM128F-0612IN	3/8"-18	3/4"-14	14.22	10.31	44.20	1-3/8"	Imperial
DANPM128F-0804	1/2"-14	1/4"-18	19.05	13.49	41.66	22 mm	Metric
DANPM128F-0806	1/2"-14	3/8"-18	19.05	13.49	42.20	22 mm	Metric
DANPM128F-0808	1/2"-14	1/2"-14	19.05	13.49	47.50	27 mm	Metric
DANPM128F-0812	1/2"-14	3/4"-14	19.05	13.49	49.00	32 mm	Metric
DANPM128F-0816	1/2"-14	1-11-1/2"	19.05	13.49	55.40	36 mm	Metric
DANPM128F-0804IN	1/2"-14	1/4"-18	19.05	13.49	41.66	41 mm	Metric
DANPM128F-0806IN	1/2"-14	3/8"-18	19.05	13.49	42.20	7/8"	Imperial
DANPM128F-0808IN	1/2"-14	1/2"-14	19.05	13.49	47.50	1-1/8"	Imperial
DANPM128F-0812IN	1/2"-14	3/4"-14	19.05	13.49	49.00	1-3/8"	Imperial
DANPM128F-0816IN	1/2"-14	1-11-1/2"	19.05	13.49	55.40	1-5/8"	Imperial
DANPM128F-1204	3/4"-14	1/4"-18	19.05	18.26	40.60	27 mm	Metric
DANPM128F-1206	3/4"-14	3/8"-18	19.05	18.26	41.40	27 mm	Metric
DANPM128F-1208	3/4"-14	1/2"-14	19.05	18.26	49.30	27 mm	Metric
DANPM128F-1212	3/4"-14	3/4"-14	19.05	18.26	49.00	36 mm	Metric
DANPM128F-1216	3/4"-14	1"-11-1/2"	19.05	18.26	55.40	41 mm	Metric
DANPM128F-1220	3/4"-14	1-1/4"-11-1/2"	19.05	18.26	57.66	50 mm	Metric
DANPM128F-1204IN	3/4"-14	1/4"-18	19.05	18.26	40.60	1-1/8"	Imperial
DANPM128F-1206IN	3/4"-14	3/8"-18	19.05	18.26	41.40	1-1/8"	Imperial
DANPM128F-1208IN	3/4"-14	1/2"-14	19.05	18.26	49.30	1-1/8"	Imperial
DANPM128F-1212IN	3/4"-14	3/4"-14	19.05	18.26	49.00	1-3/8"	Imperial
DANPM128F-1216IN	3/4"-14	1"-11-1/2"	19.05	18.26	55.40	1-5/8"	Imperial
DANPM128F-1220IN	3/4"-14	1-1/4"-11-1/2"	19.05	18.26	57.66	2"	Imperial
DANPM128F-1612	1"-11-1/2"	3/4"-14	23.88	23.83	53.80	36 mm	Metric
DANPM128F-1616	1"-11-1/2"	1"-11-1/2"	23.88	23.83	60.20	41 mm	Metric
DANPM128F-1620	1"-11-1/2"	1-1/4"-11-1/2"	23.88	23.83	62.50	50 mm	Metric
DANPM128F-1624	1"-11-1/2"	1-1/2"-11-1/2"	23.88	23.83	62.70	60 mm	Metric
DANPM128F-1632	1"-11-1/2"	2"-11-1/2"	23.88	23.83	65.00	73 mm	Metric
DANPM128F-1612IN	1"-11-1/2"	3/4"-14	23.88	23.83	53.80	1-3/8"	Imperial
DANPM128F-1616IN	1"-11-1/2"	1"-11-1/2"	23.88	23.83	60.20	1-5/8"	Imperial
DANPM128F-1620IN	1"-11-1/2"	1-1/4"-11-1/2"	23.88	23.83	62.50	2"	Imperial
DANPM128F-1624IN	1"-11-1/2"	1-1/2"-11-1/2"	23.88	23.83	62.70	2-3/8"	Imperial
DANPM128F-1632IN	1"-11-1/2"	2"-11-1/2"	23.88	23.83	65.00	2-7/8"	Imperial
DANPM128F-2012	1-1/4"-11-1/2"	3/4"-14	24.64	31.75	54.60	46 mm	Metric
DANPM128F-2016	1-1/4"-11-1/2"	1"-11-1/2"	24.64	31.75	63.30	46 mm	Metric
DANPM128F-2020	1-1/4"-11-1/2"	1-1/4"-11-1/2"	24.64	31.75	63.30	50 mm	Metric
DANPM128F-2024	1-1/4"-11-1/2"	1-1/2"-11-1/2"	24.64	31.75	63.50	60 mm	Metric
DANPM128F-2032	1-1/4"-11-1/2"	2"-11-1/2"	24.64	31.75	66.80	73 mm	Metric
DANPM128F-2012IN	1-1/4"-11-1/2"	3/4"-14	24.64	31.75	54.60	1-3/4"	Imperial
DANPM128F-2016IN	1-1/4"-11-1/2"	1"-11-1/2"	24.64	31.75	63.30	1-3/4"	Imperial
DANPM128F-2020IN	1-1/4"-11-1/2"	1-1/4"-11-1/2"	24.64	31.75	63.30	2"	Imperial
DANPM128F-2024IN	1-1/4"-11-1/2"	1-1/2"-11-1/2"	24.64	31.75	63.50	2-3/8"	Imperial
DANPM128F-2032IN	1-1/4"-11-1/2"	2"-11-1/2"	24.64	31.75	66.80	2-7/8"	Imperial
DANPM128F-2420	1-1/2"-11-1/2"	1-1/4"-11-1/2"	25.40	38.10	64.00	50 mm	Metric
DANPM128F-2424	1-1/2"-11-1/2"	1-1/2"-11-1/2"	25.40	38.10	64.30	60 mm	Metric
DANPM128F-2432	1-1/2"-11-1/2"	2"-11-1/2"	25.40	38.10	66.80	73 mm	Metric
DANPM128F-2420IN	1-1/2"-11-1/2"	1-1/4"-11-1/2"	25.40	38.10	64.00	2"	Imperial
DANPM128F-2424IN	1-1/2"-11-1/2"	1-1/2"-11-1/2"	25.40	38.10	64.30	2-3/8"	Imperial
DANPM128F-2432IN	1-1/2"-11-1/2"	2"-11-1/2"	25.40	38.10	66.80	2-7/8"	Imperial
DANPM128F-3232	2"-11-1/2"	2"-11-1/2"	26.16	49.23	67.56	73 mm	Metric
DANPM128F-3232IN	2"-11-1/2"	2"-11-1/2"	26.16	49.23	67.56	2-7/8"	Imperial
DANPM128F-4032	2-1/2"-8	2"-11-1/2"	38.86	59.00	80.00	85 mm	Metric
DANPM128F-4032IN	2-1/2"-8	2"-11-1/2"	38.86	59.00	80.00	3-1/4"	Imperial

## DANPM105F

Straight Connector NPTF Male 60° - BSPP Female



- DME&JDE Code:** DANPM105F
- Product Type:** Hydraulic Adaptor
- Standard:** NPTF
- Structure:** Straight
- Connection Type:** Male x Female
- Thread Types:** NPTF 60° x BSPP



PART NUMBER	F1 (Thread)	F2 (Thread)	C	D	L	S
#	NPTF	BSPP	mm	mm	mm	mm
DANPM105F-0202	1/8"-27	1/8"-28	9.65	4.78	28.00	14.00
DANPM105F-0204	1/8"-27	1/4"-19	9.65	4.78	30.50	19.00
DANPM105F-0402	1/4"-18	1/8"-28	14.22	7.14	29.50	17.00
DANPM105F-0404	1/4"-18	1/4"-19	14.22	7.14	33.50	19.00
DANPM105F-0406	1/4"-18	3/8"-19	14.22	7.14	36.50	22.00
DANPM105F-0604	3/8"-18	1/4"-19	14.22	10.31	35.50	19.00
DANPM105F-0606	3/8"-18	3/8"-19	14.22	10.31	36.50	22.00
DANPM105F-0804	1/2"-14	1/4"-19	19.05	13.49	30.00	22.00
DANPM105F-0806	1/2"-14	3/8"-19	19.05	13.49	37.00	22.00
DANPM105F-0808	1/2"-14	1/2"-14	19.05	13.49	46.50	27.00
DANPM105F-1204	3/4"-14	1/4"-19	19.05	18.26	30.00	28.58
DANPM105F-1206	3/4"-14	3/8"-19	19.05	18.26	30.00	28.58
DANPM105F-1208	3/4"-14	1/2"-14	19.05	18.26	41.00	28.58
DANPM105F-1212	3/4"-14	3/4"-14	19.05	18.26	46.00	32.00
DANPM105F-1216	3/4"-14	1"-11	19.05	18.26	51.50	41.00
DANPM105F-1606	1"-11-1/2"	3/8"-19	23.88	23.83	35.00	36.00
DANPM105F-1608	1"-11-1/2"	1/2"-14	23.88	23.83	35.00	36.00
DANPM105F-1612	1"-11-1/2"	3/4"-14	23.88	23.83	51.00	38.00
DANPM105F-1616	1"-11-1/2"	1"-11	23.88	23.83	57.50	41.28
DANPM105F-2008	1-1/4"-11-1/2"	1/2"-14	24.64	31.75	38.00	44.45
DANPM105F-2020	1-1/4"-11-1/2"	1-1/4"-11	24.64	31.75	62.50	50.00
DANPM105F-2416	1-1/2"-11-1/2"	1"-11	25.40	38.10	40.50	50.00
DANPM105F-2420	1-1/2"-11-1/2"	1-1/4"-11	25.40	38.10	55.00	50.80
DANPM105F-2424	1-1/2"-11-1/2"	1-1/2"-11	25.40	38.10	62.00	55.00
DANPM105F-3216	2"-11-1/2"	1"-11	26.16	49.23	46.00	65.00
DANPM105F-3220	2"-11-1/2"	1-1/4"-11	26.16	49.23	46.00	65.00
DANPM105F-3232	2"-11-1/2"	2"-11	26.16	49.23	72.40	70.00
DANPM105F-4040	2-1/2"-8	2-1/2"-11	38.86	59.00	88.00	90.00
DANPM105F-4832	3"-8	2"-11	41.40	70.64	78.00	90.00

## DANPM1081

Straight Connector NPTF Male 60° - BSPP Swivel Female 60° Cone

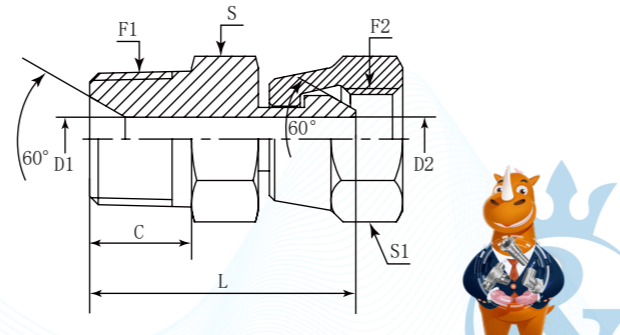
<b>D</b>	<b>A</b>	<b>NP</b>	<b>M</b>	<b>1</b>	<b>081</b>
Company	Product Range	Thread Types	Connection Type	Adaptor Structure	Connection Type
<b>DME</b>	Adaptor	NPTF	Male	Straight	BSPP Swivel Female

German Technology Equipment

**SHIELD FLEX**

New-Standard

- DME&JDE Code: **DANPM1081**
- Product Type: **Hydraulic Adaptor**
- Standard: **NPTF**
- Structure: **Straight**
- Connection Type: **Male x Swivel Female**
- Thread Types: **NPTF 60° x BSPP 60° Cone**



PART NUMBER	F1 (Thread)	F2 (Thread)	C	D1	D2	L	S	S
#	NPTF	BSPP	mm	mm	mm	mm	mm	mm
DANPM1081-0202	1/8"-27	1/8"-28	9.65	3.50	3.50	27.00	14	14
DANPM1081-0404	1/4"-18	1/4"-19	14.22	7.14	4.70	34.00	17	19
DANPM1081-0406	1/4"-18	3/8"-19	14.22	7.14	7.90	34.50	19	22
DANPM1081-0604	3/8"-18	1/4"-19	14.22	10.31	4.70	33.50	19	19
DANPM1081-0606	3/8"-18	3/8"-19	14.22	10.31	7.90	34.50	19	22
DANPM1081-0608	3/8"-18	1/2"-14	14.22	10.31	11.10	38.00	22	27
DANPM1081-0806	1/2"-14	3/8"-19	19.05	13.49	15.20	39.50	22	22
DANPM1081-0808	1/2"-14	1/2"-14	19.05	13.49	11.10	43.00	22	27
DANPM1081-1208	3/4"-14	1/2"-14	19.05	18.26	11.10	45.50	30	27
DANPM1081-1212	3/4"-14	3/4"-14	19.05	18.26	16.70	49.00	32	32
DANPM1081-1216	3/4"-14	1"-11	19.05	18.26	22.20	51.50	38	41
DANPM1081-1612	1"-11-1/2	3/4"-14	23.88	23.83	16.70	54.00	36	32
DANPM1081-1616	1"-11-1/2	1"-11	23.88	23.83	22.20	56.50	38	41
DANPM1081-2020	1-1/4"-11-1/2	1-1/4"-11-1/2	24.64	31.75	28.60	60.50	46	50

## DANPM1091

Straight Connector NPTF Male 60° - NPSM Swivel Female 60°

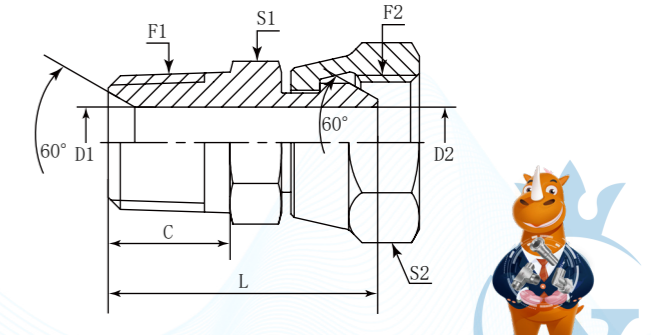
<b>D</b>	<b>A</b>	<b>NP</b>	<b>M</b>	<b>1</b>	<b>091</b>
Company	Product Range	Thread Types	Connection Type	Adaptor Structure	Connection Type
<b>DME</b>	Adaptor	NPTF	Male	Straight	NPSM Swivel Female

German Technology Equipment

**SHIELD FLEX**

New-Standard

- DME&JDE Code: **DANPM1091**
- Product Type: **Hydraulic Adaptor**
- Standard: **NPTF**
- Structure: **Straight**
- Connection Type: **Male x Swivel Female**
- Thread Types: **NPTF 60° x NPSM 60°**



PART NUMBER	F1 (Thread)	F2 (Thread)	C	D1	D2	L	S1	S2	Hex
#	NPTF	NPSM	mm	mm	mm	mm	-	-	-
DANPM1091-0202	1/8"-27	1/8"-27	9.65	4.78	2.79	24.86	14 mm	14 mm	Metric
DANPM1091-0204	1/8"-27	1/4"-18	9.65	4.78	5.33	26.67	17 mm	19 mm	Metric
DANPM1091-0202IN	1/8"-27	1/8"-27	9.65	4.78	2.79	24.86	9/16"	9/16"	Imperial
DANPM1091-0204IN	1/8"-27	1/4"-18	9.65	4.78	5.33	26.67	11/16"	11/16"	Imperial
DANPM1091-0402	1/4"-18	1/8"-27	14.22	7.14	3.51	30.15	17 mm	14 mm	Metric
DANPM1091-0404	1/4"-18	1/4"-18	14.22	7.14	5.33	31.24	17 mm	19 mm	Metric
DANPM1091-0406	1/4"-18	3/8"-18	14.22	7.14	8.13	33.27	17 mm	22 mm	Metric
DANPM1091-0408	1/4"-18	1/2"-14	14.22	7.14	11.18	36.20	22 mm	27 mm	Metric
DANPM1091-0402IN	1/4"-18	1/8"-27	14.22	7.14	3.51	30.15	11/16"	9/16"	Imperial
DANPM1091-0404IN	1/4"-18	1/4"-18	14.22	7.14	5.33	31.24	11/16"	11/16"	Imperial
DANPM1091-0406IN	1/4"-18	3/8"-18	14.22	7.14	8.13	33.27	11/16"	7/8"	Imperial
DANPM1091-0408IN	1/4"-18	1/2"-14	14.22	7.14	11.18	36.20	7/8"	1"	Imperial
DANPM1091-0602	3/8"-18	1/8"-27	14.22	10.31	3.51	29.50	19 mm	14 mm	Metric
DANPM1091-0604	3/8"-18	1/4"-18	14.22	10.31	5.33	33.27	14 mm	19 mm	Metric
DANPM1091-0606	3/8"-18	3/8"-18	14.22	10.31	8.13	33.02	22 mm	22 mm	Metric
DANPM1091-0608	3/8"-18	1/2"-14	14.22	10.31	11.18	39.12	22 mm	27 mm	Metric
DANPM1091-0612	3/8"-18	3/4"-14	14.22	10.31	15.49	38.20	32 mm	32 mm	Metric
DANPM1091-0602IN	3/8"-18	1/8"-27	14.22	10.31	3.51	29.50	3/4"	9/16"	Imperial
DANPM1091-0604IN	3/8"-18	1/4"-18	14.22	10.31	5.33	33.27	9/16"	11/16"	Imperial
DANPM1091-0606IN	3/8"-18	3/8"-18	14.22	10.31	8.13	33.02	7/8"	7/8"	Imperial
DANPM1091-0608IN	3/8"-18	1/2"-14	14.22	10.31	11.18	39.12	7/8"	1"	Imperial
DANPM1091-0612IN	3/8"-18	3/4"-14	14.22	10.31	15.49	38.20	1-1/4"	1-1/4"	Imperial
DANPM1091-0804	1/2"-14	1/4"-18	19.05	13.49	5.33	38.89	22 mm	19 mm	Metric

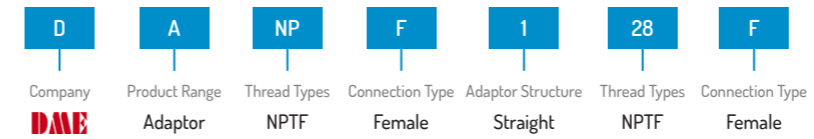


DANPM1091-0806	1/2"-14	3/8"-18	19.05	13.49	8.13	39.62	22 mm	22 mm	Metric
DANPM1091-0808	1/2"-14	1/2"-14	19.05	13.49	11.18	42.64	27 mm	27 mm	Metric
DANPM1091-0812	1/2"-14	3/4"-14	19.05	13.49	15.49	44.20	32 mm	32 mm	Metric
DANPM1091-0804IN	1/2"-14	1/4"-18	19.05	13.49	5.33	38.89	7/8"	11/16"	Imperial
DANPM1091-0806IN	1/2"-14	3/8"-18	19.05	13.49	8.13	39.62	7/8"	7/8"	Imperial
DANPM1091-0808IN	1/2"-14	1/2"-14	19.05	13.49	11.18	42.64	1"	1"	Imperial
DANPM1091-0812IN	1/2"-14	3/4"-14	19.05	13.49	15.49	44.20	1-1/4"	1-1/4"	Imperial
DANPM1091-1206	3/4"-14	3/8"-18	19.05	18.26	8.13	40.00	27 mm	22 mm	Metric
DANPM1091-1208	3/4"-14	1/2"-14	19.05	18.26	11.18	42.00	27 mm	27 mm	Metric
DANPM1091-1212	3/4"-14	3/4"-14	19.05	15.49	15.49	44.45	32 mm	32 mm	Metric
DANPM1091-1216	3/4"-14	1"-11-1/2	19.05	18.26	19.81	46.00	36 mm	41 mm	Metric
DANPM1091-1220	3/4"-14	1-1/4"-11-1/2	19.05	18.26	25.65	47.25	46 mm	50 mm	Metric
DANPM1091-1206IN	3/4"-14	3/8"-18	19.05	18.26	8.13	40.00	1-1/8"	7/8"	Imperial
DANPM1091-1208IN	3/4"-14	1/2"-14	19.05	18.26	11.18	42.00	1-1/8"	1"	Imperial
DANPM1091-1212IN	3/4"-14	3/4"-14	19.05	15.49	15.49	44.45	1-1/4"	1-1/4"	Imperial
DANPM1091-1216IN	3/4"-14	1"-11-1/2	19.05	18.26	19.81	46.00	1-3/8"	1-1/2"	Imperial
DANPM1091-1220IN	3/4"-14	1-1/4"-11-1/2	19.05	18.26	25.65	47.25	1-3/4"	1-7/8"	Imperial
DANPM1091-1608	1"-11-1/2	1/2"-14	23.88	23.83	11.18	46.50	36 mm	27 mm	Metric
DANPM1091-1612	1"-11-1/2	3/4"-14	23.88	23.83	15.49	48.20	41 mm	32 mm	Metric
DANPM1091-1616	1"-11-1/2	1"-11-1/2	23.88	23.83	19.81	51.77	41 mm	41 mm	Metric
DANPM1091-1620	1"-11-1/2	1-1/4"-11-1/2	23.88	23.83	25.65	52.50	46 mm	50 mm	Metric
DANPM1091-1624	1"-11-1/2	1-1/2"-11-1/2	23.88	23.83	31.75	55.26	55 mm	55 mm	Metric
DANPM1091-1608IN	1"-11-1/2	1/2"-14	23.88	23.83	11.18	46.50	1-3/8"	1"	Imperial
DANPM1091-1612IN	1"-11-1/2	3/4"-14	23.88	23.83	15.49	48.20	1-1/2"	1-1/4"	Imperial
DANPM1091-1616IN	1"-11-1/2	1"-11-1/2	23.88	23.83	19.81	51.77	1-1/2"	1-1/2"	Imperial
DANPM1091-1620IN	1"-11-1/2	1-1/4"-11-1/2	23.88	23.83	25.65	52.50	1-3/4"	1-7/8"	Imperial
DANPM1091-1624IN	1"-11-1/2	1-1/2"-11-1/2	23.88	23.83	31.75	55.26	2-1/8"	2-1/8"	Imperial
DANPM1091-2008	1-1/4"-11-1/2	1/2"-14	24.64	31.75	11.18	52.50	50 mm	27 mm	Metric
DANPM1091-2016	1-1/4"-11-1/2	1"-11-1/2	24.64	31.75	19.81	52.07	50 mm	41 mm	Metric
DANPM1091-2020	1-1/4"-11-1/2	1-1/4"-11-1/2	24.64	31.75	25.65	56.09	50 mm	50 mm	Metric
DANPM1091-2024	1-1/4"-11-1/2	1-1/2"-11-1/2	24.64	31.75	31.75	61.00	55 mm	55 mm	Metric
DANPM1091-2008IN	1-1/4"-11-1/2	1/2"-14	24.64	31.75	11.18	52.50	1-7/8"	1"	Imperial
DANPM1091-2016IN	1-1/4"-11-1/2	1"-11-1/2	24.64	31.75	19.81	52.07	1-7/8"	1-1/2"	Imperial
DANPM1091-2020IN	1-1/4"-11-1/2	1-1/4"-11-1/2	24.64	31.75	25.65	56.09	1-7/8"	1-7/8"	Imperial
DANPM1091-2024IN	1-1/4"-11-1/2	1-1/2"-11-1/2	24.64	31.75	31.75	61.00	2-1/8"	2-1/8"	Imperial
DANPM1091-2420	1-1/2"-11-1/2	1-1/4"-11-1/2	25.40	38.10	25.65	58.70	55 mm	50 mm	Metric
DANPM1091-2424	1-1/2"-11-1/2	1-1/2"-11-1/2	25.40	38.10	31.75	61.83	55 mm	55 mm	Metric
DANPM1091-2432	1-1/2"-11-1/2	2"-11-1/2	25.40	38.10	43.69	61.70	60 mm	65 mm	Metric
DANPM1091-2420IN	1-1/2"-11-1/2	1-1/4"-11-1/2	25.40	38.10	25.65	58.70	2-1/8"	1-7/8"	Imperial
DANPM1091-2424IN	1-1/2"-11-1/2	1-1/2"-11-1/2	25.40	38.10	31.75	61.83	2-1/8"	2-1/8"	Imperial
DANPM1091-2432IN	1-1/2"-11-1/2	2"-11-1/2	25.40	38.10	43.69	61.70	2-3/8"	2-5/8"	Imperial
DANPM1091-3232	2"-11-1/2	2"-11-1/2	26.16	49.23	43.69	62.48	65 mm	70 mm	Metric
DANPM1091-3232IN	2"-11-1/2	2"-11-1/2	26.16	49.23	43.69	62.48	2-5/8"	2-5/8"	Imperial

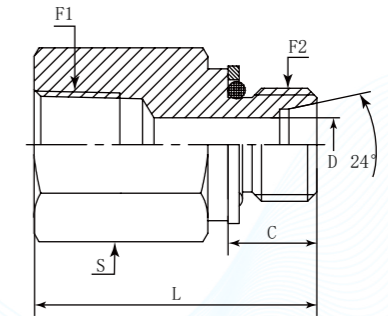
## DANPF152Q



### Straight Connector NPTF Female - Metric Male 24° + O Ring + Retaining Ring



- DME&JDE Code:** DANPF152Q
- Product Type:** Hydraulic Adaptor
- Standard:** NPTF
- Structure:** Straight
- Connection Type:** Female x Male
- Thread Types:** NPTF x Metric 24° Cone
- Sealing Method:** O Ring + Retaining Ring



PART NUMBER	F1 (Thread)	F2 (Thread)	C	D	L	S
#	NPTF	Metric	mm	mm	mm	mm
DANPF152Q-0212	1/8"-27	M12X1.5	11.00	4.00	31.00	17.00
DANPF152Q-0216	1/8"-27	M16X1.5	11.50	8.00	32.00	22.00
DANPF152Q-0410	1/4"-18	M10X1	8.00	3.50	30.00	19.00
DANPF152Q-0412	1/4"-18	M12X1.5	11.00	4.00	32.90	19.00
DANPF152Q-0414	1/4"-18	M14X1.5	11.00	6.00	35.00	19.00
DANPF152Q-0416	1/4"-18	M16X1.5	11.50	8.00	37.50	22.00
DANPF152Q-0418	1/4"-18	M18X1.5	12.50	10.00	38.50	24.00
DANPF152Q-0612	3/8"-18	M12X1.5	11.00	4.00	38.00	22.00
DANPF152Q-0614	3/8"-18	M14X1.5	11.00	6.00	38.00	22.00
DANPF152Q-0616	3/8"-18	M16X1.5	11.50	8.00	38.50	22.00
DANPF152Q-0618	3/8"-18	M18X1.5	12.50	10.00	40.50	24.00
DANPF152Q-0620	3/8"-18	M20X1.5	12.50	10.00	40.50	24.00
DANPF152Q-0622	3/8"-18	M22X1.5	14.00	12.00	38.50	27.00
DANPF152Q-0816	1/2"-14	M16X1.5	11.50	8.00	40.00	27.00
DANPF152Q-0818	1/2"-14	M18X1.5	12.50	10.00	41.50	27.00
DANPF152Q-0820	1/2"-14	M20X1.5	12.50	8.00	41.00	27.00
DANPF152Q-0822	1/2"-14	M22X1.5	14.00	12.00	42.50	27.00
DANPF152Q-1222	3/4"-14	M22X1.5	14.00	12.00	46.50	36.00
DANPF152Q-1226	3/4"-14	M26X1.5	16.00	15.00	46.00	36.00
DANPF152Q-1227	3/4"-14	M27X1.5	16.00	15.00	48.00	36.00
DANPF152Q-1230	3/4"-14	M30X2	16.00	19.00	45.30	36.00
DANPF152Q-1633	1"-11-1/2	M33X2	16.00	20.00	53.50	41.00



# DANPF1305

Straight Connector NPTF Female - SAE Male O Ring

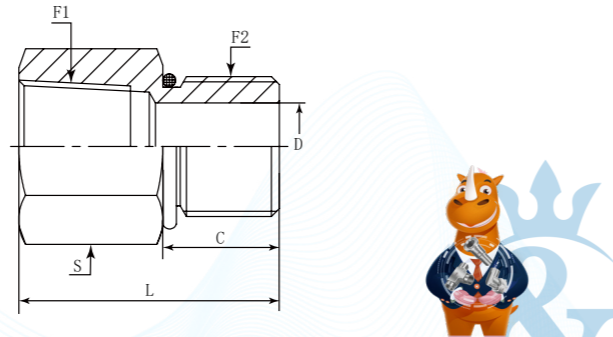
<b>D</b>	<b>A</b>	<b>BP</b>	<b>F</b>	<b>1</b>	<b>30</b>	<b>M</b>
Company	Product Range	Thread Types	Connection Type	Adaptor Structure	Thread Types	Connection Type
<b>DME</b>	Adaptor	NPTF	Female	Straight	SAE UNF	Male O Ring

German Technology Equipment

**SHIELD FLEX**

New-Standard

- DME&JDE Code: **DANPF1305**
- Product Type: **Hydraulic Adaptor**
- Standard: **NPTF**
- Structure: **Straight**
- Connection Type: **Female x Male**
- Thread Types: **NPTF x SAE UNF**
- Sealing Method: **O Ring**



PART NUMBER	F1 (Thread)	F2 (Thread)	C	D	L	S	Hex
#	NPTF	UNF	mm	mm	mm	-	-
DANPF1305-0202	1/8"-27	5/16"-24	7.54	1.57	24.13	14 mm	Metric
DANPF1305-0203	1/8"-27	3/8"-24	7.54	3.18	24.10	14 mm	Metric
DANPF1305-0204	1/8"-27	7/16"-20	9.14	4.37	25.40	14 mm	Metric
DANPF1305-0205	1/8"-27	1/2"-20	9.14	5.94	25.15	17 mm	Metric
DANPF1305-0206	1/8"-27	9/16"-18	9.93	7.54	26.00	17 mm	Metric
DANPF1305-0208	1/8"-27	3/4"-16	11.13	9.93	27.90	22 mm	Metric
DANPF1305-0210	1/8"-27	7/8"-14	12.70	10.70	20.50	27 mm	Metric
DANPF1305-0212	1/8"-27	1-1/16"-12	15.09	15.47	27.70	32 mm	Metric
DANPF1305-0202IN	1/8"-27	5/16"-24	7.54	1.57	24.13	9/16"	Imperial
DANPF1305-0203IN	1/8"-27	3/8"-24	7.54	3.18	24.10	9/16"	Imperial
DANPF1305-0204IN	1/8"-27	7/16"-20	9.14	4.37	25.40	9/16"	Imperial
DANPF1305-0205IN	1/8"-27	1/2"-20	9.14	5.94	25.15	5/8"	Imperial
DANPF1305-0206IN	1/8"-27	9/16"-18	9.93	7.54	26.00	11/16"	Imperial
DANPF1305-0208IN	1/8"-27	3/4"-16	11.13	9.93	27.90	7/8"	Imperial
DANPF1305-0210IN	1/8"-27	7/8"-14	12.70	10.70	20.50	1"	Imperial
DANPF1305-0212IN	1/8"-27	1-1/16"-12	15.09	15.47	27.70	1-1/4"	Imperial
DANPF1305-0402	1/4"-18	5/16"-24	7.54	1.57	31.24	19 mm	Metric
DANPF1305-0403	1/4"-18	3/8"-24	7.54	3.18	30.80	19 mm	Metric
DANPF1305-0404	1/4"-18	7/16"-20	9.14	4.37	29.46	19 mm	Metric
DANPF1305-0405	1/4"-18	1/2"-20	9.14	5.94	29.50	19 mm	Metric
DANPF1305-0406	1/4"-18	9/16"-18	9.93	7.54	27.69	19 mm	Metric
DANPF1305-0408	1/4"-18	3/4"-16	11.13	9.93	25.90	22 mm	Metric
DANPF1305-0410	1/4"-18	7/8"-14	12.70	12.29	20.57	27 mm	Metric
DANPF1305-0412	1/4"-18	1-1/16"-12	15.09	15.47	27.70	32 mm	Metric

Certificate:



DANPF1305-0416	1/4"-18	1-5/16"-12	15.09	10.94	28.85	41 mm	Metric
DANPF1305-0402IN	1/4"-18	5/16"-24	7.54	1.57	31.24	3/4"	Imperial
DANPF1305-0403IN	1/4"-18	3/8"-24	7.54	3.18	30.80	3/4"	Imperial
DANPF1305-0404IN	1/4"-18	7/16"-20	9.14	4.37	29.46	3/4"	Imperial
DANPF1305-0405IN	1/4"-18	1/2"-20	9.14	5.94	29.50	3/4"	Imperial
DANPF1305-0406IN	1/4"-18	9/16"-18	9.93	7.54	27.69	3/4"	Imperial
DANPF1305-0408IN	1/4"-18	3/4"-16	11.13	9.93	25.90	7/8"	Imperial
DANPF1305-0410IN	1/4"-18	7/8"-14	12.70	12.29	20.57	1"	Imperial
DANPF1305-0412IN	1/4"-18	1-1/16"-12	15.09	15.47	27.70	1-1/4"	Imperial
DANPF1305-0416IN	1/4"-18	1-5/16"-12	15.09	10.94	28.85	1-1/2"	Imperial
DANPF1305-0604	3/8"-18	7/16"-20	9.14	4.37	34.30	22 mm	Metric
DANPF1305-0606	3/8"-18	9/16"-18	9.93	7.54	33.81	22 mm	Metric
DANPF1305-0608	3/8"-18	3/4"-16	11.13	9.93	32.50	22 mm	Metric
DANPF1305-0610	3/8"-18	7/8"-14	12.70	12.29	35.56	27 mm	Metric
DANPF1305-0612	3/8"-18	1-1/16"-12	15.09	15.47	38.10	32 mm	Metric
DANPF1305-0616	3/8"-18	1-5/16"-12	15.09	21.44	28.58	41 mm	Metric
DANPF1305-0604IN	3/8"-18	7/16"-20	9.14	4.37	34.30	7/8"	Imperial
DANPF1305-0606IN	3/8"-18	9/16"-18	9.93	7.54	33.81	7/8"	Imperial
DANPF1305-0608IN	3/8"-18	3/4"-16	11.13	9.93	32.50	7/8"	Imperial
DANPF1305-0610IN	3/8"-18	7/8"-14	12.70	12.29	35.56	1"	Imperial
DANPF1305-0612IN	3/8"-18	1-1/16"-12	15.09	15.47	38.10	1-1/4"	Imperial
DANPF1305-0616IN	3/8"-18	1-5/16"-12	15.09	21.44	28.58	1-1/2"	Imperial
DANPF1305-0806	1/2"-14	9/16"-18	9.93	7.54	38.10	27 mm	Metric
DANPF1305-0808	1/2"-14	3/4"-16	11.13	9.93	37.30	27 mm	Metric
DANPF1305-0810	1/2"-14	7/8"-14	12.70	12.29	39.30	27 mm	Metric
DANPF1305-0812	1/2"-14	1-1/16"-12	15.09	15.47	35.81	32 mm	Metric
DANPF1305-0814	1/2"-14	1-3/16"-12	15.09	18.26	26.92	36 mm	Metric
DANPF1305-0816	1/2"-14	1-5/16"-12	15.09	21.44	43.70	41 mm	Metric
DANPF1305-0820	1/2"-14	1-5/8"-12	15.09	16.48	30.40	50 mm	Metric
DANPF1305-0806IN	1/2"-14	9/16"-18	9.93	7.54	38.10	1-1/8"	Imperial
DANPF1305-0808IN	1/2"-14	3/4"-16	11.13	9.93	37.30	1-1/8"	Imperial
DANPF1305-0810IN	1/2"-14	7/8"-14	12.70	12.29	39.30	1-1/8"	Imperial
DANPF1305-0812IN	1/2"-14	1-1/16"-12	15.09	15.47	35.81	1-1/4"	Imperial
DANPF1305-0814IN	1/2"-14	1-3/16"-12	15.09	18.26	26.92	1-3/8"	Imperial
DANPF1305-0816IN	1/2"-14	1-5/16"-12	15.09	21.44	43.70	1-1/2"	Imperial
DANPF1305-0820IN	1/2"-14	1-5/8"-12	15.09	16.48	30.40	1-7/8"	Imperial
DANPF1305-1206	3/4"-14	9/16"-18	9.93	7.54	43.00	36 mm	Metric
DANPF1305-1208	3/4"-14	3/4"-16	11.13	9.93	45.21	36 mm	Metric
DANPF1305-1210	3/4"-14	7/8"-14	12.70	12.29	42.20	36 mm	Metric
DANPF1305-1212	3/4"-14	1-1/16"-12	15.09	15.47	43.69	36 mm	Metric
DANPF1305-1214	3/4"-14	1-3/16"-12	15.09	18.26	45.20	36 mm	Metric
DANPF1305-1216	3/4"-14	1-5/16"-12	15.09	21.34	41.12	41 mm	Metric
DANPF1305-1220	3/4"-14	1-5/8"-12	15.09	27.38	45.20	50 mm	Metric

Certificate:



DANPF1305-1224	3/4"-14	1-7/8"-12	15.09	23.04	32.25	55 mm	Metric
DANPF1305-1206IN	3/4"-14	9/16"-18	9.93	7.54	43.00	1-3/8"	Imperial
DANPF1305-1208IN	3/4"-14	3/4"-16	11.13	9.93	45.21	1-3/8"	Imperial
DANPF1305-1210IN	3/4"-14	7/8"-14	12.70	12.29	42.20	1-3/8"	Imperial
DANPF1305-1212IN	3/4"-14	1-1/16"-12	15.09	15.47	43.69	1-3/8"	Imperial
DANPF1305-1214IN	3/4"-14	1-3/16"-12	15.09	18.26	45.20	1-3/8"	Imperial
DANPF1305-1216IN	3/4"-14	1-5/16"-12	15.09	21.34	41.12	1-1/2"	Imperial
DANPF1305-1220IN	3/4"-14	1-5/8"-12	15.09	27.38	45.20	1-7/8"	Imperial
DANPF1305-1224IN	3/4"-14	1-7/8"-12	15.09	23.04	32.25	2-1/8"	Imperial
DANPF1305-1612	1"-11-1/2	1-1/16"-12	15.09	15.47	51.60	41 mm	Metric
DANPF1305-1616	1"-11-1/2	1-5/16"-12	15.09	21.44	49.53	41 mm	Metric
DANPF1305-1620	1"-11-1/2	1-5/8"-12	15.09	27.38	25.40	50 mm	Metric
DANPF1305-1624	1"-11-1/2	1-7/8"-12	15.09	28.37	32.26	55 mm	Metric
DANPF1305-1632	1"-11-1/2	2-1/2"-12	15.09	29.36	36.40	70 mm	Metric
DANPF1305-1612IN	1"-11-1/2	1-1/16"-12	15.09	15.47	51.60	1-5/8"	Imperial
DANPF1305-1616IN	1"-11-1/2	1-5/16"-12	15.09	21.44	49.53	1-5/8"	Imperial
DANPF1305-1620IN	1"-11-1/2	1-5/8"-12	15.09	27.38	25.40	1-7/8"	Imperial
DANPF1305-1624IN	1"-11-1/2	1-7/8"-12	15.09	28.37	32.26	2-1/8"	Imperial
DANPF1305-1632IN	1"-11-1/2	2-1/2"-12	15.09	29.36	36.40	2-3/4"	Imperial
DANPF1305-2012	1-1/4"-11-1/2	1-1/16"-12	15.09	15.47	54.61	50 mm	Metric
DANPF1305-2016	1-1/4"-11-1/2	1-5/16"-12	15.09	21.44	54.61	50 mm	Metric
DANPF1305-2020	1-1/4"-11-1/2	1-5/8"-12	15.09	27.38	50.00	50 mm	Metric
DANPF1305-2024	1-1/4"-11-1/2	1-7/8"-12	15.09	33.32	54.86	55 mm	Metric
DANPF1305-2032	1-1/4"-11-1/2	2-1/2"-12	15.09	45.00	50.80	70 mm	Metric
DANPF1305-2012IN	1-1/4"-11-1/2	1-1/16"-12	15.09	15.47	54.61	2"	Imperial
DANPF1305-2016IN	1-1/4"-11-1/2	1-5/16"-12	15.09	21.44	54.61	2"	Imperial
DANPF1305-2020IN	1-1/4"-11-1/2	1-5/8"-12	15.09	27.38	50.00	2"	Imperial
DANPF1305-2024IN	1-1/4"-11-1/2	1-7/8"-12	15.09	33.32	54.86	2-1/8"	Imperial
DANPF1305-2032IN	1-1/4"-11-1/2	2-1/2"-12	15.09	45.00	50.80	2-3/4"	Imperial
DANPF1305-2416	1-1/2"-11-1/2	1-5/16"-12	15.09	21.44	58.42	60 mm	Metric
DANPF1305-2420	1-1/2"-11-1/2	1-5/8"-12	15.09	27.38	51.30	60 mm	Metric
DANPF1305-2424	1-1/2"-11-1/2	1-7/8"-12	15.09	33.32	54.86	60 mm	Metric
DANPF1305-2432	1-1/2"-11-1/2	2-1/2"-12	15.09	45.00	50.80	70 mm	Metric
DANPF1305-2416IN	1-1/2"-11-1/2	1-5/16"-12	15.09	21.44	58.42	2-3/8"	Imperial
DANPF1305-2420IN	1-1/2"-11-1/2	1-5/8"-12	15.09	27.38	51.30	2-3/8"	Imperial
DANPF1305-2424IN	1-1/2"-11-1/2	1-7/8"-12	15.09	33.32	54.86	2-3/8"	Imperial
DANPF1305-2432IN	1-1/2"-11-1/2	2-1/2"-12	15.09	45.00	50.80	2-3/4"	Imperial
DANPF1305-3220	2"-11-1/2	1-5/8"-12	15.09	27.38	60.96	70 mm	Metric
DANPF1305-3232	2"-11-1/2	2-1/2"-12	15.09	45.24	56.90	73 mm	Metric
DANPF1305-3220IN	2"-11-1/2	1-5/8"-12	15.09	27.38	60.96	2-3/4"	Imperial
DANPF1305-3232IN	2"-11-1/2	2-1/2"-12	15.09	45.24	56.90	2-7/8"	Imperial

## DANPF106Q

Straight NPTF Fixed Female - BSPP Male + O Ring + Retaining Ring

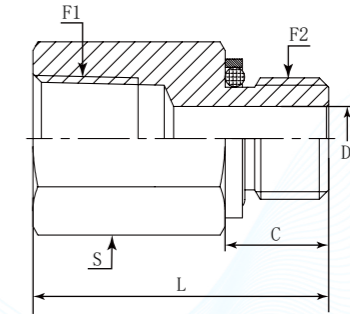
<b>D</b>	<b>A</b>	<b>NP</b>	<b>F</b>	<b>1</b>	<b>06</b>	<b>0</b>
Company	Product Range	Thread Types	Connection Type	Adaptor Structure	Thread Types	Connection Type
<b>DME</b>	Adaptor	NPTF	Female	Straight	BSPP	Male + O Ring + Retaining Ring

German Technology Equipment

**SHIELD FLEX**

New-Standard

- DME&JDE Code:** DANPF106Q
- Product Type:** Hydraulic Adaptor
- Standard:** NPTF
- Structure:** Straight
- Connection Type:** Fixed Female x Male
- Thread Types:** NPTF x BSPP
- Sealing Method:** O Ring + Retaining Ring



PART NUMBER	F1 (Thread)	F2 (Thread)	C	D	L	S
#	NPTF	BSPP	mm	mm	mm	mm
DANPF106Q-0202	1/8"-27	1/8"-28	7.60	4.40	25.00	17.00
DANPF106Q-0204	1/8"-27	1/4"-19	11.20	7.50	28.50	19.00
DANPF106Q-0402	1/4"-18	1/8"-28	7.60	4.40	30.00	19.00
DANPF106Q-0404	1/4"-18	1/4"-19	11.20	7.50	32.00	19.00
DANPF106Q-0406	1/4"-18	3/8"-19	11.20	9.90	31.00	22.00
DANPF106Q-0604	3/8"-18	1/4"-19	11.20	7.50	31.00	22.00
DANPF106Q-0606	3/8"-18	3/8"-19	11.20	9.90	31.00	22.00
DANPF106Q-0608	3/8"-18	1/2"-14	14.50	12.30	35.00	27.00
DANPF106Q-0806	1/2"-14	3/8"-19	11.20	9.90	36.50	27.00
DANPF106Q-0808	1/2"-14	1/2"-14	14.50	12.30	38.50	27.00
DANPF106Q-0812	1/2"-14	3/4"-14	14.50	15.50	39.50	36.00
DANPF106Q-1208	3/4"-14	1/2"-14	14.50	12.30	40.00	36.00
DANPF106Q-1212	3/4"-14	3/4"-14	14.50	15.50	40.00	36.00
DANPF106Q-1616	1"-11-1/2	1"-11	18.60	21.50	54.50	41.00
DANPF106Q-2016	1-1/4"-11-1/2	1"-11	18.60	21.50	54.00	50.00
DANPF106Q-2020	1-1/4"-11-1/2	1-1/4"-11	18.60	27.50	54.00	50.00
DANPF106Q-2424	1-1/2"-11-1/2	1-1/2"-11	18.60	33.00	54.50	60.33

# DANPS1305

Straight Connector NPSM Swivel Female 60° - SAE Male + O Ring

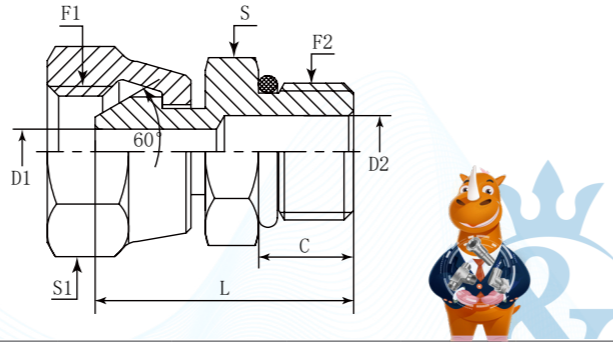
<b>D</b>	<b>A</b>	<b>NPS</b>	<b>1</b>	<b>1</b>	<b>30</b>	<b>5</b>
Company	Product Range	Thread Types	Connection Type	Adaptor Structure	Thread Types	Connection Type
<b>DME</b>	Adaptor	NPSM	Swivel Female	Straight	SAE UNF	Male + O Ring

German Technology Equipment

**SHIELD FLEX**

New-Standard

- DME&JDE Code:** DANPS1305
- Product Type:** Hydraulic Adaptor
- Standard:** NPTF
- Structure:** Straight
- Connection Type:** Swivel Female x Male
- Thread Types:** NPSM 60° x SAE + O Ring
- Sealing Method:** O Ring



PART NUMBER	F1 (Thread)	F2 (Thread)	C	D1	D2	L	S	S1	Hex
#	NPSM	UNF	mm	mm	mm	mm	-	-	-
DANPS1305-0204	1/8"-27	7/16"-20	9.14	2.79	4.37	25.4	14 mm	14 mm	Metric
DANPS1305-0204IN	1/8"-27	7/16"-20	9.14	2.79	4.37	25.4	9/16"	9/16"	Imperial
DANPS1305-0404	1/4"-18	7/16"-20	9.14	5.33	4.37	28.19	14 mm	19 mm	Metric
DANPS1305-0405	1/4"-18	1/2"-20	9.14	5.33	5.33	27.70	17 mm	19 mm	Metric
DANPS1305-0406	1/4"-18	9/16"-18	9.93	5.33	7.54	28.96	17 mm	19 mm	Metric
DANPS1305-0408	1/4"-18	3/4"-16	11.13	5.33	9.93	29.70	22 mm	19 mm	Metric
DANPS1305-0404IN	1/4"-18	7/16"-20	9.14	5.33	4.37	28.19	9/16"	11/16"	Imperial
DANPS1305-0405IN	1/4"-18	1/2"-20	9.14	5.33	5.33	27.70	5/8"	11/16"	Imperial
DANPS1305-0406IN	1/4"-18	9/16"-18	9.93	5.33	7.54	28.96	11/16"	11/16"	Imperial
DANPS1305-0408IN	1/4"-18	3/4"-16	11.13	5.33	9.93	29.70	7/8"	11/16"	Imperial
DANPS1305-0604	3/8"-18	7/16"-20	10.41	8.13	4.37	29.21	17 mm	22 mm	Metric
DANPS1305-0605	3/8"-18	1/2"-20	9.14	8.13	5.94	28.50	17 mm	22 mm	Metric
DANPS1305-0606	3/8"-18	9/16"-18	9.93	8.13	7.54	29.70	17 mm	22 mm	Metric
DANPS1305-0608	3/8"-18	3/4"-16	11.13	8.13	9.93	31.24	22 mm	22 mm	Metric
DANPS1305-0610	3/8"-18	7/8"-14	12.70	8.64	12.29	32.00	27 mm	22 mm	Metric
DANPS1305-0612	3/8"-18	1-1/16"-12	15.09	8.13	15.47	35.81	32 mm	22 mm	Metric
DANPS1305-0604IN	3/8"-18	7/16"-20	10.41	8.13	4.37	29.21	11/16"	7/8"	Imperial
DANPS1305-0605IN	3/8"-18	1/2"-20	9.14	8.13	5.94	28.50	11/16"	7/8"	Imperial
DANPS1305-0606IN	3/8"-18	9/16"-18	9.93	8.13	7.54	29.70	11/16"	7/8"	Imperial
DANPS1305-0608IN	3/8"-18	3/4"-16	11.13	8.13	9.93	31.24	7/8"	7/8"	Imperial
DANPS1305-0610IN	3/8"-18	7/8"-14	12.70	8.64	12.29	32.00	1"	7/8"	Imperial
DANPS1305-0612IN	3/8"-18	1-1/16"-12	15.09	8.13	15.47	35.81	1-1/4"	7/8"	Imperial
DANPS1305-0804	1/2"-14	7/16"-20	9.14	11.18	4.37	30.70	22 mm	27 mm	Metric

DANPS1305-0805	1/2"-14	1/2"-20	9.14	11.18	5.94	33.00	22 mm	27 mm	Metric
DANPS1305-0806	1/2"-14	9/16"-18	9.93	11.18	7.54	32.80	22 mm	27 mm	Metric
DANPS1305-0808	1/2"-14	3/4"-16	11.13	11.18	9.93	33.00	22 mm	27 mm	Metric
DANPS1305-0810	1/2"-14	7/8"-14	12.70	11.18	12.29	35.56	27 mm	27 mm	Metric
DANPS1305-0812	1/2"-14	1-1/16"-12	15.09	11.18	15.47	36.83	32 mm	27 mm	Metric
DANPS1305-0816	1/2"-14	1-5/16"-12	15.09	11.18	21.44	40.42	41 mm	27 mm	Metric
DANPS1305-0804IN	1/2"-14	7/16"-20	9.14	11.18	4.37	30.70	13/16"	1"	Imperial
DANPS1305-0805IN	1/2"-14	1/2"-20	9.14	11.18	5.94	33.00	13/16"	1"	Imperial
DANPS1305-0806IN	1/2"-14	9/16"-18	9.93	11.18	7.54	32.80	13/16"	1"	Imperial
DANPS1305-0808IN	1/2"-14	3/4"-16	11.13	11.18	9.93	33.00	7/8"	1"	Imperial
DANPS1305-0810IN	1/2"-14	7/8"-14	12.70	11.18	12.29	35.56	1"	1"	Imperial
DANPS1305-0812IN	1/2"-14	1-1/16"-12	15.09	11.18	15.47	36.83	1-1/4"	1"	Imperial
DANPS1305-0816IN	1/2"-14	1-5/16"-12	15.09	11.18	21.44	40.42	1-1/2"	1"	Imperial
DANPS1305-1208	3/4"-14	3/4"-16	11.13	15.49	9.93	35.80	27 mm	32 mm	Metric
DANPS1305-1210	3/4"-14	7/8"-14	12.70	16.13	12.29	34.80	27 mm	32 mm	Metric
DANPS1305-1212	3/4"-14	1-1/16"-12	15.09	15.47	15.47	40.60	32 mm	32 mm	Metric
DANPS1305-1214	3/4"-14	1-3/16"-12	15.09	15.49	18.26	40.90	36 mm	32 mm	Metric
DANPS1305-1216	3/4"-14	1-5/16"-12	15.09	15.49	21.44	43.94	41 mm	32 mm	Metric
DANPS1305-1220	3/4"-14	1-5/8"-12	15.09	15.49	27.38	42.20	50 mm	32 mm	Metric
DANPS1305-1208IN	3/4"-14	3/4"-16	11.13	15.49	9.93	35.80	1"	1-1/4"	Imperial
DANPS1305-1210IN	3/4"-14	7/8"-14	12.70	16.13	12.29	34.80	1"	1-1/4"	Imperial
DANPS1305-1212IN	3/4"-14	1-1/16"-12	15.09	15.47	15.47	40.60	1-1/4"	1-1/4"	Imperial
DANPS1305-1214IN	3/4"-14	1-3/16"-12	15.09	15.49	18.26	40.90	1-3/8"	1-1/4"	Imperial
DANPS1305-1216IN	3/4"-14	1-5/16"-12	15.09	15.49	21.44	43.94	1-1/2"	1-1/4"	Imperial
DANPS1305-1220IN	3/4"-14	1-5/8"-12	15.09	15.49	27.38	42.20	1-7/8"	1-1/4"	Imperial
DANPS1305-1612	1"-11-1/2	1-1/16"-12	15.09	19.81	15.47	43.00	32 mm	41 mm	Metric
DANPS1305-1614	1"-11-1/2	1-3/16"-12	15.09	19.81	18.26	43.00	36 mm	41 mm	Metric
DANPS1305-1616	1"-11-1/2	1-5/16"-12	15.09	19.81	21.44	43.50	41 mm	41 mm	Metric
DANPS1305-1620	1"-11-1/2	1-5/8"-12	15.09	19.81	27.38	45.78	50 mm	41 mm	Metric
DANPS1305-1612IN	1"-11-1/2	1-1/16"-12	15.09	19.81	15.47	43.00	1-1/4"	1-1/2"	Imperial
DANPS1305-1614IN	1"-11-1/2	1-3/16"-12	15.09	19.81	18.26	43.00	1-3/8"	1-1/2"	Imperial
DANPS1305-1616IN	1"-11-1/2	1-5/16"-12	15.09	19.81	21.44	43.50	1-1/2"	1-1/2"	Imperial
DANPS1305-1620IN	1"-11-1/2	1-5/8"-12	15.09	19.81	27.38	45.78	1-7/8"	1-1/2"	Imperial
DANPS1305-2016	1-1/4"-11-1/2	1-5/16"-12	15.09	25.65	21.44	46.55	46 mm	50 mm	Metric
DANPS1305-2020	1-1/4"-11-1/2	1-5/8"-12	15.09	25.65	25.65	45.50	50 mm	50 mm	Metric
DANPS1305-2024	1-1/4"-11-1/2	1-7/8"-12	15.09	25.65	33.32	49.50	55 mm	50 mm	Metric
DANPS1305-2016IN	1-1/4"-11-1/2	1-5/16"-12	15.09	25.65	21.44	46.55	1-11/16"	1-7/8"	Imperial
DANPS1305-2020IN	1-1/4"-11-1/2	1-5/8"-12	15.09	25.65	25.65	45.50	1-7/8"	1-7/8"	Imperial
DANPS1305-2024IN	1-1/4"-11-1/2	1-7/8"-12	15.09	25.65	33.32	49.50	2-1/8"	1-7/8"	Imperial
DANPS1305-2424	1-7/8"-12	1-7/8"-12	18.93	45.34	33.32	49.53	55 mm	55 mm	Metric
DANPS1305-2424IN	1-7/8"-12	1-7/8"-12	18.93	45.34	33.32	49.53	2-1/8"	2-1/8"	Imperial
DANPS1305-3232	2-1/2"-12	2"-11-1/2	15.09	43.69	45.25	53.70	70 mm	65 mm	Metric
DANPS1305-3232IN	2-1/2"-12	2"-11-1/2	15.09	43.69	45.25	53.70	2-3/4"	2-5/8"	Imperial





# DANPF128F

Hexagon Straight Coupling NPTF Female - NPTF Female

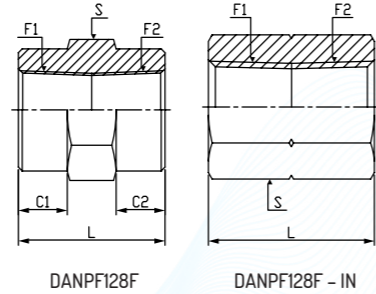
<b>D</b>	<b>A</b>	<b>NP</b>	<b>F</b>	<b>1</b>	<b>28</b>	<b>F</b>
Company	Product Range	Thread Types	Connection Type	Adaptor Structure	Thread Types	Connection Type
<b>DME</b>	Adaptor	NPTF	Female	Hexagon Straight	NPTF	Female

German Technology Equipment

**SHIELD FLEX**

New-Standard

- DME&JDE Code:** DANPF128F
- Product Type:** Hydraulic Adaptor
- Standard:** NPTF
- Connection Type:** Female x Female
- Thread Types:** NPTF x NPTF
- Sealing Method:** O Ring
- Other Features:** Hexagon



PART NUMBER	F1 (Thread)	F2 (Thread)	C1	C2	L	S	Hex
#	NPTF	NPTF	mm	mm	mm	-	-
DANPF128F-0202	1/8"-27	1/8"-27	6.35	6.35	19.05	17 mm	Metric
DANPF128F-0202IN	1/8"-27	1/8"-27	6.35	6.35	19.05	5/8"	Imperial
DANPF128F-0402	1/4"-18	1/8"-27	10.92	10.92	28.70	19 mm	Metric
DANPF128F-0404	1/4"-18	1/4"-18	10.92	10.92	28.70	19 mm	Metric
DANPF128F-0402IN	1/4"-18	1/8"-27	10.92	10.92	28.70	3/4"	Imperial
DANPF128F-0404IN	1/4"-18	1/4"-18	10.92	10.92	28.70	3/4"	Imperial
DANPF128F-0602	3/8"-18	1/8"-27	10.92	10.92	28.70	22 mm	Metric
DANPF128F-0604	3/8"-18	1/4"-18	10.90	10.90	28.70	22 mm	Metric
DANPF128F-0606	3/8"-18	3/8"-18	10.92	10.92	28.70	22 mm	Metric
DANPF128F-0602IN	3/8"-18	1/8"-27	10.92	10.92	28.70	7/8"	Imperial
DANPF128F-0604IN	3/8"-18	1/4"-18	10.90	10.90	28.70	7/8"	Imperial
DANPF128F-0606IN	3/8"-18	3/8"-18	10.92	10.92	28.70	7/8"	Imperial
DANPF128F-0802	1/2"-14	1/8"-27	14.22	14.22	38.10	27 mm	Metric
DANPF128F-0804	1/2"-14	1/4"-18	14.22	14.22	38.10	27 mm	Metric
DANPF128F-0806	1/2"-14	3/8"-18	14.22	14.22	38.10	27 mm	Metric
DANPF128F-0808	1/2"-14	1/2"-14	14.22	14.22	38.10	27 mm	Metric
DANPF128F-0802IN	1/2"-14	1/8"-27	14.22	14.22	38.10	1-1/8"	Imperial
DANPF128F-0804IN	1/2"-14	1/4"-18	14.22	14.22	38.10	1-1/8"	Imperial

DANPF128F-0806IN	1/2"-14	3/8"-18	14.22	14.22	38.10	1-1/8"	Imperial
DANPF128F-0808IN	1/2"-14	1/2"-14	14.22	14.22	38.10	1-1/8"	Imperial
DANPF128F-1204	3/4"-14	1/4"-18	14.22	14.22	38.90	36 mm	Metric
DANPF128F-1206	3/4"-14	3/8"-18	14.22	14.22	38.90	36 mm	Metric
DANPF128F-1208	3/4"-14	1/2"-14	14.22	14.22	38.90	36 mm	Metric
DANPF128F-1212	3/4"-14	3/4"-14	14.22	14.22	38.86	36 mm	Metric
DANPF128F-1204IN	3/4"-14	1/4"-18	14.22	14.22	38.90	1-3/8"	Imperial
DANPF128F-1206IN	3/4"-14	3/8"-18	14.22	14.22	38.90	1-3/8"	Imperial
DANPF128F-1208IN	3/4"-14	1/2"-14	14.22	14.22	38.90	1-3/8"	Imperial
DANPF128F-1212IN	3/4"-14	3/4"-14	14.22	14.22	38.86	1-3/8"	Imperial
DANPF128F-1606	1"-11-1/2	3/8"-18	17.53	17.53	48.00	41 mm	Metric
DANPF128F-1608	1"-11-1/2	1/2"-14	17.53	17.53	48.00	41 mm	Metric
DANPF128F-1612	1"-11-1/2	3/4"-14	17.53	17.53	48.00	41 mm	Metric
DANPF128F-1616	1"-11-1/2	1"-11-1/2	17.53	17.53	48.01	41 mm	Metric
DANPF128F-1606IN	1"-11-1/2	3/8"-18	17.53	17.53	48.00	1-5/8"	Imperial
DANPF128F-1608IN	1"-11-1/2	1/2"-14	17.53	17.53	48.00	1-5/8"	Imperial
DANPF128F-1612IN	1"-11-1/2	3/4"-14	17.53	17.53	48.00	1-5/8"	Imperial
DANPF128F-1616IN	1"-11-1/2	1"-11-1/2	17.53	17.53	48.01	1-5/8"	Imperial
DANPF128F-2012	1-1/4"-11-1/2	3/4"-14	17.53	17.53	49.00	50 mm	Metric
DANPF128F-2016	1-1/4"-11-1/2	1"-11-1/2	17.53	17.53	49.00	50 mm	Metric
DANPF128F-2020	1-1/4"-11-1/2	1-1/4"-11-1/2	17.50	17.50	49.02	50 mm	Metric
DANPF128F-2012IN	1-1/4"-11-1/2	3/4"-14	17.53	17.53	49.00	2"	Imperial
DANPF128F-2016IN	1-1/4"-11-1/2	1"-11-1/2	17.53	17.53	49.00	2"	Imperial
DANPF128F-2020IN	1-1/4"-11-1/2	1-1/4"-11-1/2	17.50	17.50	49.02	2"	Imperial
DANPF128F-2416	1-1/2"-11-1/2	1-11-1/2	17.53	17.53	49.02	60 mm	Metric
DANPF128F-2420	1-1/2"-11-1/2	1-1/4"-11-1/2	17.53	17.53	49.02	60 mm	Metric
DANPF128F-2424	1-1/2"-11-1/2	1-1/2"-11-1/2	17.50	17.50	49.02	60 mm	Metric
DANPF128F-2416IN	1-1/2"-11-1/2	1-11-1/2	17.53	17.53	49.02	2-3/8"	Imperial
DANPF128F-2420IN	1-1/2"-11-1/2	1-1/4"-11-1/2	17.53	17.53	49.02	2-3/8"	Imperial
DANPF128F-2424IN	1-1/2"-11-1/2	1-1/2"-11-1/2	17.50	17.50	49.02	2-3/8"	Imperial
DANPF128F-3224	2"-11-1/2	1-1/2"-11-1/2	16.00	16.00	49.78	73 mm	Metric
DANPF128F-3232	2"-11-1/2	2"-11-1/2	16.00	16.00	49.78	73 mm	Metric
DANPF128F-3224IN	2"-11-1/2	1-1/2"-11-1/2	16.00	16.00	49.78	2-7/8"	Imperial
DANPF128F-3232IN	2"-11-1/2	2"-11-1/2	16.00	16.00	49.78	2-7/8"	Imperial



# DANP31000

Hexagon Socket Plug NPTF Male

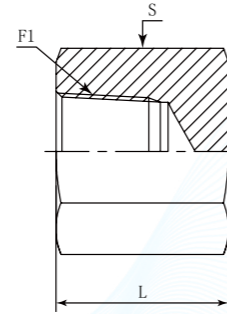
<b>D</b>	<b>A</b>	<b>NP</b>	<b>3</b>	<b>1</b>	<b>000</b>
Company	Product Range	Thread Types	Adaptor Structure	Adaptor Structure	Other Features
<b>DME</b>	Adaptor	NPTF	Male	Straight	Nut/Plug

German Technology Equipment

**SHIELD FLEX**

New-Standard

- DME&JDE Code: **DANP31000**
- Product Type: **Hydraulic Adaptor**
- Standard: **NPTF**
- Connection Type: **Slip-on Female**
- Thread Types: **NPTF**
- Other Features: **Nut/Plug**



PART NUMBER	F1 (Thread)	L	S	Hex
#	NPTF	mm	-	-
DANP31000-02	1/8"-27	17.00-19.00	14 mm	Metric
DANP31000-02IN	1/8"-27	17.00-19.00	9/16"	Imperial
DANP31000-04	1/4"-18	23.10	19 mm	Metric
DANP31000-04IN	1/4"-18	23.10	3/4"	Imperial
DANP31000-06	3/8"-18	20.60	17 mm	Metric
DANP31000-06IN	3/8"-18	20.60	11/16"	Imperial
DANP31000-08	1/2"-14	25.40	27 mm	Metric
DANP31000-08IN	1/2"-14	25.40	1"	Imperial
DANP31000-12	3/4"-14	28.70	30 mm	Metric
DANP31000-12IN	3/4"-14	28.70	1-3/16"	Imperial
DANP31000-16	1"-11-1/2	29.21	41 mm	Metric
DANP31000-16IN	1"-11-1/2	29.21	1-1/2"	Imperial
DANP31000-20	1-1/4"-11-1/2	31.80	50 mm	Metric
DANP31000-20IN	1-1/4"-11-1/2	31.80	2"	Imperial
DANP31000-24	1-1/2"-11-1/2	39.12	60 mm	Metric
DANP31000-24IN	1-1/2"-11-1/2	39.12	2-3/8"	Imperial
DANP31000-32	2"-11-1/2	34.80	73 mm	Metric
DANP31000-32IN	2"-11-1/2	34.80	2-7/8"	Imperial

# DANP21000-HHP

Hexagon Socket Plug NPTF Male

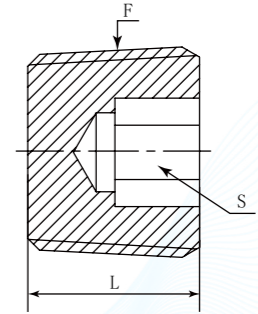
<b>D</b>	<b>A</b>	<b>NP</b>	<b>2</b>	<b>1</b>	<b>000</b>	<b>HHP</b>
Company	Product Range	Thread Types	Connection Type	Adaptor Structure	Other Features	Plug Head Type
<b>DME</b>	Adaptor	NPTF	Male	Straight	Nut/Plug	Hexagon Head

German Technology Equipment

**SHIELD FLEX**

New-Standard

- DME&JDE Code: **DANP21000-HHP**
- Product Type: **Hydraulic Adaptor**
- Standard: **NPTF**
- Connection Type: **Male**
- Thread Types: **NPTF**
- Other Features: **Nut/Plug**



PART NUMBER	F (Thread)	L	S
#	NPTF	mm	mm
DANP21000-HHP-0100	1/16"-27	7.90	1/6"
DANP21000-HHP-0200	1/8"-27	7.90	3/16"
DANP21000-HHP-0400	1/4"-18	12.10	1/4"
DANP21000-HHP-0600	3/8"-18	12.10	5/16"
DANP21000-HHP-0800	1/2"-14	16.00	3/8"
DANP21000-HHP-1200	3/4"-14	16.26	9/16"
DANP21000-HHP-1600	1"-11-1/2	20.07	5/8"
DANP21000-HHP-2000	1-1/4"-11-1/2	21.10	3/4"
DANP21000-HHP-2400	1-1/2"-11-1/2	21.10	1"
DANP21000-HHP-3200	2"-11-1/2	22.10	3/4"



# DANPF1091

Straight Connector NPTF Female - NPSM Swivel Female 60°

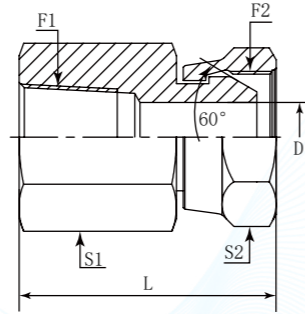
<b>D</b>	<b>A</b>	<b>NP</b>	<b>F</b>	<b>1</b>	<b>091</b>
Company	Product Range	Thread Types	Connection Type	Adaptor Structure	Connection Type
<b>DME</b>	Adaptor	NPTF	Female	Straight	NPSM Swivel Female

German Technology Equipment

**SHIELD FLEX**

New-Standard

- DME&JDE Code: **DANPF1091**
- Product Type: **Hydraulic Adaptor**
- Standard: **NPTF**
- Structure: **Straight**
- Connection Type: **Female x Swivel Female**
- Thread Types: **NPTF x NPSM 60°**



PART NUMBER	F1 (Thread)	F2 (Thread)	D	L	S1	S2	Hex
#	NPTF	NPSM	mm	mm	-	-	-
DANPF1091-0202	1/8"-27	1/8"-27	2.79	22.35	14 mm	14 mm	Metric
DANPF1091-0204	1/8"-27	1/4"-18	5.33	27.90	14 mm	19 mm	Metric
DANPF1091-0202IN	1/8"-27	1/8"-27	2.79	22.35	9/16"	9/16"	Imperial
DANPF1091-0204IN	1/8"-27	1/4"-18	5.33	27.90	9/16"	11/16"	Imperial
DANPF1091-0402	1/4"-18	1/8"-27	2.79	29.72	17 mm	14 mm	Metric
DANPF1091-0404	1/4"-18	1/4"-18	5.33	31.24	17 mm	19 mm	Metric
DANPF1091-0406	1/4"-18	3/8"-18	8.13	32.30	17 mm	22 mm	Metric
DANPF1091-0402IN	1/4"-18	1/8"-27	2.79	29.72	11/16"	9/16"	Imperial
DANPF1091-0404IN	1/4"-18	1/4"-18	5.33	31.24	11/16"	11/16"	Imperial
DANPF1091-0406IN	1/4"-18	3/8"-18	8.13	32.30	11/16"	7/8"	Imperial
DANPF1091-0604	3/8"-18	1/4"-18	5.33	32.76	22 mm	19 mm	Metric
DANPF1091-0606	3/8"-18	3/8"-18	8.13	33.27	22 mm	22 mm	Metric
DANPF1091-0608	3/8"-18	1/2"-14	11.18	38.10	22 mm	27 mm	Metric
DANPF1091-0604IN	3/8"-18	1/4"-18	5.33	32.76	7/8"	11/16"	Imperial
DANPF1091-0606IN	3/8"-18	3/8"-18	8.13	33.27	7/8"	7/8"	Imperial
DANPF1091-0608IN	3/8"-18	1/2"-14	11.18	38.10	7/8"	1"	Imperial

DANPF1091-0804	1/2"-14	1/4"-18	5.33	39.62	27 mm	19 mm	Metric
DANPF1091-0806	1/2"-14	3/8"-18	8.64	36.83	27 mm	22 mm	Metric
DANPF1091-0808	1/2"-14	1/2"-14	11.18	39.62	27 mm	27 mm	Metric
DANPF1091-0812	1/2"-14	3/4"-14	15.49	41.10	32 mm	32 mm	Metric
DANPF1091-0804IN	1/2"-14	1/4"-18	5.33	39.62	1"	11/16"	Imperial
DANPF1091-0806IN	1/2"-14	3/8"-18	8.64	36.83	1"	7/8"	Imperial
DANPF1091-0808IN	1/2"-14	1/2"-14	11.18	39.62	1"	1"	Imperial
DANPF1091-0812IN	1/2"-14	3/4"-14	15.49	41.10	1-1/4"	1-1/4"	Imperial
DANPF1091-1206	3/4"-14	3/8"-18	8.13	42.80	32 mm	22 mm	Metric
DANPF1091-1208	3/4"-14	1/2"-14	11.68	41.40	32 mm	27 mm	Metric
DANPF1091-1212	3/4"-14	3/4"-14	15.49	41.15	32 mm	32 mm	Metric
DANPF1091-1216	3/4"-14	1"-11-1/2	19.81	46.50	41 mm	41 mm	Metric
DANPF1091-1206IN	3/4"-14	3/8"-18	8.13	42.80	1-1/4"	7/8"	Imperial
DANPF1091-1208IN	3/4"-14	1/2"-14	11.68	41.40	1-1/4"	1"	Imperial
DANPF1091-1212IN	3/4"-14	3/4"-14	15.49	41.15	1-1/4"	1-1/4"	Imperial
DANPF1091-1216IN	3/4"-14	1"-11-1/2	19.81	46.50	1-1/2"	1-1/2"	Imperial
DANPF1091-1612	1"-11-1/2	3/4"-14	15.49	48.30	41 mm	32 mm	Metric
DANPF1091-1616	1"-11-1/2	1"-11-1/2	19.81	50.80	41 mm	41 mm	Metric
DANPF1091-1620	1"-11-1/2	1-1/4"-11-1/2	25.65	50.30	50 mm	50 mm	Metric
DANPF1091-1612IN	1"-11-1/2	3/4"-14	15.49	48.30	1-1/2"	1-1/4"	Imperial
DANPF1091-1616IN	1"-11-1/2	1"-11-1/2	19.81	50.80	1-1/2"	1-1/2"	Imperial
DANPF1091-1620IN	1"-11-1/2	1-1/4"-11-1/2	25.65	50.30	1-7/8"	1-7/8"	Imperial
DANPF1091-2020	1-1/4"-11-1/2	1-1/4"-11-1/2	25.65	50.30	50 mm	50 mm	Metric
DANPF1091-2020IN	1-1/4"-11-1/2	1-1/4"-11-1/2	25.65	50.30	1-7/8"	1-7/8"	Imperial
DANPF1091-2420	1-1/2"-11-1/2	1-1/4"-11-1/2	25.65	52.50	55 mm	50 mm	Metric
DANPF1091-2424	1-1/2"-11-1/2	1-1/2"-11-1/2	31.75	55.37	55 mm	55 mm	Metric
DANPF1091-2420IN	1-1/2"-11-1/2	1-1/4"-11-1/2	25.65	52.50	2-1/8"	1-7/8"	Imperial
DANPF1091-2424IN	1-1/2"-11-1/2	1-1/2"-11-1/2	31.75	55.37	2-1/8"	2-1/8"	Imperial
DANPF1091-3232	2"-11-1/2	2"-11-1/2	43.69	57.15	65 mm	70 mm	Metric
DANPF1091-3232IN	2"-11-1/2	2"-11-1/2	43.69	57.15	2-5/8"	2-5/8"	Imperial





## DANPM428M

45° Elbow Connector NPTF Male 60° - NPTF Male 60°

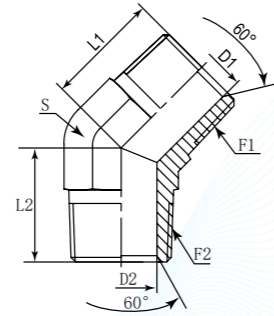
<b>D</b>	<b>A</b>	<b>NP</b>	<b>M</b>	<b>4</b>	<b>28</b>	<b>M</b>
Company	Product Range	Thread Types	Connection Type	Adaptor Structure	Thread Types	Connection Type
<b>DME</b>	Adaptor	NPTF	Male	45° Elbow	NPTF	Male

German Technology Equipment

**SHIELD FLEX**

New-Standard

- DME&JDE Code: **DANPM428M**
- Product Type: **Hydraulic Adaptor**
- Standard: **NPTF**
- Structure: **45° Elbow**
- Connection Type: **Male x Male**
- Thread Types: **NPTF 60° x NPTF 60°**



PART NUMBER	F1 (Thread)	F2 (Thread)	L1	L2	D1	D2	S	Hex
#	NPTF	NPTF	mm	mm	mm	mm	-	-
DANPM428M-0202	1/8"-27	1/8"-27	16.20	16.20	4.78	4.78	11 mm	Metric
DANPM428M-0202IN	1/8"-27	1/8"-27	16.20	16.20	4.78	4.78	7/16"	Imperial
DANPM428M-0404	1/4"-18	1/4"-18	21.80	21.80	7.14	7.14	14 mm	Metric
DANPM428M-0404IN	1/4"-18	1/4"-18	21.80	21.80	7.14	7.14	9/16"	Imperial
DANPM428M-0604	3/8"-18	1/4"-18	24.10	24.10	10.31	7.14	19 mm	Metric
DANPM428M-0606	3/8"-18	3/8"-18	24.10	24.10	10.31	10.31	19 mm	Metric
DANPM428M-0604IN	3/8"-18	1/4"-18	24.10	24.10	10.31	7.14	3/4"	Imperial
DANPM428M-0606IN	3/8"-18	3/8"-18	24.10	24.10	10.31	10.31	3/4"	Imperial
DANPM428M-0808	1/2"-14	1/2"-14	29.70	29.70	13.49	13.49	22 mm	Metric
DANPM428M-0808IN	1/2"-14	1/2"-14	29.70	29.70	13.49	13.49	7/8"	Imperial
DANPM428M-1208	3/4"-14	1/2"-14	30.50	30.50	18.26	13.49	27 mm	Metric
DANPM428M-1212	3/4"-14	3/4"-14	30.50	30.50	18.26	18.26	27 mm	Metric
DANPM428M-1208IN	3/4"-14	1/2"-14	30.50	30.50	18.26	13.49	1-1/16"	Imperial
DANPM428M-1212IN	3/4"-14	3/4"-14	30.50	30.50	18.26	18.26	1-1/16"	Imperial
DANPM428M-1616	1"-11-1/2	1"-11-1/2	37.60	37.60	23.83	23.83	33 mm	Metric
DANPM428M-1616IN	1"-11-1/2	1"-11-1/2	37.60	37.60	23.83	23.83	1-5/16"	Imperial
DANPM428M-2020	1-1/4"-11-1/2	1-1/4"-11-1/2	42.40	42.40	31.75	31.75	41 mm	Metric
DANPM428M-2020IN	1-1/4"-11-1/2	1-1/4"-11-1/2	42.40	42.40	31.75	31.75	1-5/8"	Imperial
DANPM428M-2424	1-1/2"-11-1/2	1-1/2"-11-1/2	44.96	44.96	38.10	38.10	50 mm	Metric
DANPM428M-2424IN	1-1/2"-11-1/2	1-1/2"-11-1/2	44.96	44.96	38.10	38.10	1-7/8"	Imperial
DANPM428M-3232	2"-11-1/2	2"-11-1/2	53.60	53.60	49.23	49.23	60 mm	Metric
DANPM428M-3232IN	2"-11-1/2	2"-11-1/2	53.60	53.60	49.23	49.23	2-1/2"	Imperial

## DANPM428F

45° Elbow Connector NPTF Male 60° - NPTF Female

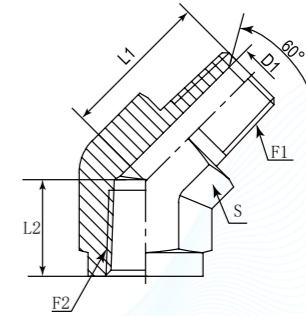
<b>D</b>	<b>A</b>	<b>NP</b>	<b>M</b>	<b>4</b>	<b>28</b>	<b>F</b>
Company	Product Range	Thread Types	Connection Type	Adaptor Structure	Thread Types	Connection Type
<b>DME</b>	Adaptor	NPTF	Male	45° Elbow	NPTF	Female

German Technology Equipment

**SHIELD FLEX**

New-Standard

- DME&JDE Code: **DANPM428F**
- Product Type: **Hydraulic Adaptor**
- Standard: **NPTF**
- Structure: **45° Elbow**
- Connection Type: **Male x Female**
- Thread Types: **NPTF 60° x NPTF**



PART NUMBER	F1 (Thread)	F2 (Thread)	L1	L2	D1	S	Hex
#	NPTF	NPTF	mm	mm	mm	-	-
DANPM428F-0202	1/8"-27	1/8"-27	18.30	11.90	4.78	14 mm	Metric
DANPM428F-0202IN	1/8"-27	1/8"-27	18.30	11.90	4.78	9/16"	Imperial
DANPM428F-0404	1/4"-18	1/4"-18	26.70	15.80	7.14	19 mm	Metric
DANPM428F-0404IN	1/4"-18	1/4"-18	26.70	15.80	7.14	3/4"	Imperial
DANPM428F-0604	3/8"-18	1/4"-18	26.90	18.00	10.31	22 mm	Metric
DANPM428F-0606	3/8"-18	3/8"-18	26.90	18.30	10.31	22 mm	Metric
DANPM428F-0604IN	3/8"-18	1/4"-18	26.90	18.00	10.31	7/8"	Imperial
DANPM428F-0606IN	3/8"-18	3/8"-18	26.90	18.30	10.31	7/8"	Imperial
DANPM428F-0808	1/2"-14	1/2"-14	34.00	23.10	13.49	27 mm	Metric
DANPM428F-0808IN	1/2"-14	1/2"-14	34.00	23.10	13.49	1-1/16"	Imperial
DANPM428F-1212	3/4"-14	3/4"-14	35.10	24.60	18.26	33 mm	Metric
DANPM428F-1212IN	3/4"-14	3/4"-14	35.10	24.60	18.26	1-5/16"	Imperial
DANPM428F-1616	1"-11-1/2	1"-11-1/2	43.70	28.50	23.83	41 mm	Metric
DANPM428F-1620	1"-11-1/2	1-1/4"-11-1/2	45.70	41.40	23.83	50 mm	Metric
DANPM428F-1616IN	1"-11-1/2	1"-11-1/2	43.70	28.50	23.83	1-5/8"	Imperial
DANPM428F-1620IN	1"-11-1/2	1-1/4"-11-1/2	45.70	41.40	23.83	1-7/8"	Imperial
DANPM428F-2020	1-1/4"-11-1/2	1-1/4"-11-1/2	45.70	41.40	31.75	50 mm	Metric
DANPM428F-2020IN	1-1/4"-11-1/2	1-1/4"-11-1/2	45.70	41.40	31.75	1-7/8"	Imperial
DANPM428F-2424	1-1/2"-11-1/2	1-1/2"-11-1/2	52.30	42.90	38.10	65 mm	Metric
DANPM428F-2424IN	1-1/2"-11-1/2	1-1/2"-11-1/2	52.30	42.90	38.10	2-9/16"	Imperial
DANPM428F-3232	2"-11-1/2	2"-11-1/2	54.61	55.63	49.23	70 mm	Metric
DANPM428F-3232IN	2"-11-1/2	2"-11-1/2	54.61	55.63	49.23	2-13/16"	Imperial



# DANPM4091

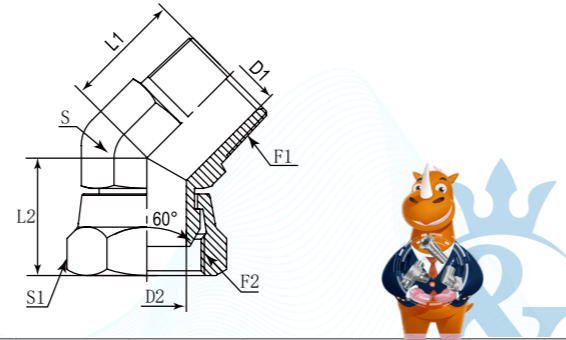
45° Elbow Connector NPTF Male - NPSM Swivel Female 60°

<b>D</b>	<b>A</b>	<b>NP</b>	<b>M</b>	<b>4</b>	<b>091</b>
Company	Product Range	Thread Types	Connection Type	Adaptor Structure	Connection Type
<b>DME</b>	Adaptor	NPTF	Male	45° Elbow	NPSM Swivel Female

German Technology Equipment

New-Standard

- DME&JDE Code:** DANPM4091
- Product Type:** Hydraulic Adaptor
- Standard:** NPTF
- Structure:** 45° Elbow
- Connection Type:** Male x Swivel Female
- Thread Types:** NPTF x NPSM 60°



PART NUMBER	F1 (Thread)	F2 (Thread)	L1	L2	D1	D2	S	S1	Hex
#	NPTF	NPSM	mm	mm	mm	mm	-	-	-
DANPM4091-0202	1/8"-27	1/8"-27	16.30	16.20	4.78	2.79	11 mm	14 mm	Metric
DANPM4091-0204	1/8"-27	1/4"-18	17.00	18.50	4.78	5.33	14 mm	19 mm	Metric
DANPM4091-0202IN	1/8"-27	1/8"-27	16.30	16.20	4.78	2.79	7/16"	9/16"	Imperial
DANPM4091-0204IN	1/8"-27	1/4"-18	17.00	18.50	4.78	5.33	9/16"	11/16"	Imperial
DANPM4091-0402	1/4"-18	1/8"-27	21.80	16.00	7.14	2.79	14 mm	14 mm	Metric
DANPM4091-0404	1/4"-18	1/4"-18	21.80	18.50	7.14	5.33	14 mm	19 mm	Metric
DANPM4091-0406	1/4"-18	3/8"-18	24.13	20.57	7.14	8.13	19 mm	22 mm	Metric
DANPM4091-0408	1/4"-18	1/2"-14	24.89	22.35	7.14	11.18	22 mm	27 mm	Metric
DANPM4091-0402IN	1/4"-18	1/8"-27	21.80	16.00	7.14	2.79	9/16"	9/16"	Imperial
DANPM4091-0404IN	1/4"-18	1/4"-18	21.80	18.50	7.14	5.33	9/16"	11/16"	Imperial
DANPM4091-0406IN	1/4"-18	3/8"-18	24.13	20.57	7.14	8.13	3/4"	7/8"	Imperial
DANPM4091-0408IN	1/4"-18	1/2"-14	24.89	22.35	7.14	11.18	7/8"	1"	Imperial
DANPM4091-0604	3/8"-18	1/4"-18	24.10	20.07	10.31	5.33	19 mm	19 mm	Metric
DANPM4091-0606	3/8"-18	3/8"-18	24.10	20.57	10.31	8.13	19 mm	22 mm	Metric
DANPM4091-0608	3/8"-18	1/2"-14	24.10	22.35	10.31	11.18	22 mm	27 mm	Metric
DANPM4091-0604IN	3/8"-18	1/4"-18	24.10	20.07	10.31	5.33	3/4"	11/16"	Imperial
DANPM4091-0606IN	3/8"-18	3/8"-18	24.10	20.57	10.31	8.13	3/4"	7/8"	Imperial

Web: <https://www.dmejde.com>  
E-mail: [info@dmejde.com](mailto:info@dmejde.com)



DANPM4091-0608IN	3/8"-18	1/2"-14	24.10	22.35	10.31	11.18	7/8"	1"	Imperial
DANPM4091-0804	1/2"-14	1/4"-18	29.70	20.07	13.49	5.33	22 mm	19 mm	Metric
DANPM4091-0806	1/2"-14	3/8"-18	29.70	20.57	13.49	8.13	22 mm	22 mm	Metric
DANPM4091-0808	1/2"-14	1/2"-14	29.70	22.35	13.49	11.18	22 mm	27 mm	Metric
DANPM4091-0812	1/2"-14	3/4"-14	30.48	23.83	13.49	15.49	27 mm	32 mm	Metric
DANPM4091-0804IN	1/2"-14	1/4"-18	29.70	20.07	13.49	5.33	7/8"	11/16"	Imperial
DANPM4091-0806IN	1/2"-14	3/8"-18	29.70	20.57	13.49	8.13	7/8"	7/8"	Imperial
DANPM4091-0808IN	1/2"-14	1/2"-14	29.70	22.35	13.49	11.18	7/8"	1"	Imperial
DANPM4091-0812IN	1/2"-14	3/4"-14	30.48	23.83	13.49	15.49	1-1/16"	1-1/4"	Imperial
DANPM4091-1206	3/4"-14	3/8"-18	30.48	21.86	18.26	8.13	27 mm	22 mm	Metric
DANPM4091-1208	3/4"-14	1/2"-14	30.50	23.64	18.26	11.18	27 mm	27 mm	Metric
DANPM4091-1212	3/4"-14	3/4"-14	30.50	25.90	18.26	15.49	27 mm	32 mm	Metric
DANPM4091-1216	3/4"-14	1"-11-1/2	32.77	29.21	18.26	19.81	33 mm	41 mm	Metric
DANPM4091-1206IN	3/4"-14	3/8"-18	30.48	21.86	18.26	8.13	1-1/16"	7/8"	Imperial
DANPM4091-1208IN	3/4"-14	1/2"-14	30.50	23.64	18.26	11.18	1-1/16"	1"	Imperial
DANPM4091-1212IN	3/4"-14	3/4"-14	30.50	25.90	18.26	15.49	1-1/16"	1-1/4"	Imperial
DANPM4091-1216IN	3/4"-14	1"-11-1/2	32.77	29.21	18.26	19.81	1-5/16"	1-1/2"	Imperial
DANPM4091-1612	1"-11-1/2	3/4"-14	37.60	28.45	23.83	15.49	33 mm	32 mm	Metric
DANPM4091-1616	1"-11-1/2	1"-11-1/2	37.60	29.21	23.83	19.81	33 mm	41 mm	Metric
DANPM4091-1620	1"-11-1/2	1-1/4"-11-1/2	41.65	31.25	23.83	25.65	41 mm	50 mm	Metric
DANPM4091-1612IN	1"-11-1/2	3/4"-14	37.60	28.45	23.83	15.49	1-5/16"	1-1/4"	Imperial
DANPM4091-1616IN	1"-11-1/2	1"-11-1/2	37.60	29.21	23.83	19.81	1-5/16"	1-1/2"	Imperial
DANPM4091-1620IN	1"-11-1/2	1-1/4"-11-1/2	41.65	31.25	23.83	25.65	1-5/8"	1-7/8"	Imperial
DANPM4091-2016	1-1/4"-11-1/2	1"-11-1/2	42.40	31.20	31.75	19.81	41 mm	41 mm	Metric
DANPM4091-2020	1-1/4"-11-1/2	1-1/4"-11-1/2	42.40	31.20	31.75	25.65	41 mm	50 mm	Metric
DANPM4091-2016IN	1-1/4"-11-1/2	1"-11-1/2	42.40	31.20	31.75	19.81	1-5/8"	1-1/2"	Imperial
DANPM4091-2020IN	1-1/4"-11-1/2	1-1/4"-11-1/2	42.40	31.20	31.75	25.65	1-5/8"	1-7/8"	Imperial
DANPM4091-2424	1-1/2"-11-1/2	1-1/2"-11-1/2	45.00	34.30	38.10	31.75	50 mm	55 mm	Metric
DANPM4091-2424IN	1-1/2"-11-1/2	1-1/2"-11-1/2	45.00	34.30	38.10	31.75	1-7/8"	2-1/8"	Imperial
DANPM4091-3232	2"-11-1/2	2"-11-1/2	53.60	41.90	49.23	43.69	60 mm	70 mm	Metric
DANPM4091-3232IN	2"-11-1/2	2"-11-1/2	53.60	41.90	49.23	43.69	2-1/2"	2-5/8"	Imperial



Web: <https://www.dmejde.com>  
E-mail: [info@dmejde.com](mailto:info@dmejde.com)



# DANPS4305

45° Adjustable Elbow NPSM Swivel Female 60° - SAE Male O Ring

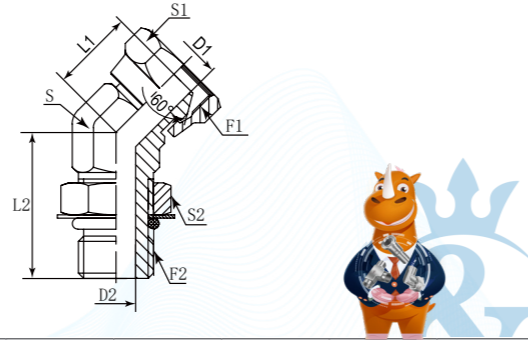
<b>D</b>	<b>A</b>	<b>NPS</b>	<b>4</b>	<b>30</b>	<b>5</b>
Company	Product Range	Thread Types	Adaptor Structure	Thread Types	Connection Type
<b>DME</b>	Adaptor	NPSM	45° Elbow	SAE UNF	Male O Ring

German Technology Equipment

**SHIELD FLEX**

New-Standard

- DME&JDE Code: **DANPS4305**
- Product Type: **Hydraulic Adaptor**
- Standard: **NPTF**
- Structure: **45° Adjustable Elbow**
- Connection Type: **Swivel Female x Male**
- Thread Types: **NPSM 60° x UNF + O Ring**
- Sealing Method: **O Ring**



PART NUMBER	F1 (Thread)	F2 (Thread)	L1	L2	D1	D2	S	S1	S2	Hex
#	NPSM	UNF	mm	mm	mm	mm	-	-	-	-
DANPS4305-0404	1/4"-18	7/16"-20	15.50	26.70	5.33	4.37	14 mm	19 mm	14 mm	Metric
DANPS4305-0406	1/4"-18	9/16"-18	20.57	29.00	5.33	7.54	14 mm	19 mm	17 mm	Metric
DANPS4305-0408	1/4"-18	3/4"-16	20.07	33.00	5.33	9.93	19 mm	19 mm	22 mm	Metric
DANPS4305-0404IN	1/4"-18	7/16"-20	15.50	26.70	5.33	4.37	9/16"	11/16"	9/16"	Imperial
DANPS4305-0406IN	1/4"-18	9/16"-18	20.57	29.00	5.33	7.54	9/16"	11/16"	11/16"	Imperial
DANPS4305-0408IN	1/4"-18	3/4"-16	20.07	33.00	5.33	9.93	3/4"	11/16"	7/8"	Imperial
DANPS4305-0604	3/8"-18	7/16"-20	18.96	26.16	8.13	4.37	14 mm	22 mm	14 mm	Metric
DANPS4305-0606	3/8"-18	9/16"-18	21.08	28.96	8.13	7.54	14 mm	22 mm	17 mm	Metric
DANPS4305-0608	3/8"-18	3/4"-16	20.57	33.00	8.13	9.93	19 mm	22 mm	22 mm	Metric
DANPS4305-0610	3/8"-18	7/8"-14	19.22	38.60	8.13	12.29	22 mm	22 mm	27 mm	Metric
DANPS4305-0612	3/8"-18	1-1/16"-12	23.80	43.90	8.13	15.47	27 mm	22 mm	32 mm	Metric
DANPS4305-0604IN	3/8"-18	7/16"-20	18.96	26.16	8.13	4.37	9/16"	7/8"	9/16"	Imperial
DANPS4305-0606IN	3/8"-18	9/16"-18	21.08	28.96	8.13	7.54	9/16"	7/8"	11/16"	Imperial
DANPS4305-0608IN	3/8"-18	3/4"-16	20.57	33.00	8.13	9.93	3/4"	7/8"	7/8"	Imperial
DANPS4305-0610IN	3/8"-18	7/8"-14	19.22	38.60	8.13	12.29	7/8"	7/8"	1"	Imperial
DANPS4305-0612IN	3/8"-18	1-1/16"-12	23.80	43.90	8.13	15.47	1-1/16"	7/8"	1-1/4"	Imperial
DANPS4305-0804	1/2"-14	7/16"-20	23.90	28.20	11.18	4.37	19 mm	27 mm	14 mm	Metric
DANPS4305-0808	1/2"-14	3/4"-16	22.61	33.00	11.18	9.93	19 mm	27 mm	22 mm	Metric
DANPS4305-0810	1/2"-14	7/8"-14	22.35	38.60	11.18	12.29	22 mm	27 mm	27 mm	Metric

Web: <https://www.dmejde.com>  
E-mail: [info@dmejde.com](mailto:info@dmejde.com)



DANPS4305-0812	1/2"-14	1-1/16"-12	25.90	43.90	11.18	15.47	27 mm	27 mm	32 mm	Metric
DANPS4305-0804IN	1/2"-14	7/16"-20	23.90	28.20	11.18	4.37	3/4"	1"	9/16"	Imperial
DANPS4305-0808IN	1/2"-14	3/4"-16	22.61	33.00	11.18	9.93	3/4"	1"	7/8"	Imperial
DANPS4305-0810IN	1/2"-14	7/8"-14	22.35	38.60	11.18	12.29	7/8"	1"	1"	Imperial
DANPS4305-0812IN	1/2"-14	1-1/16"-12	25.90	43.90	11.18	15.47	1-1/16"	1"	1-1/4"	Imperial
DANPS4305-1006	7/8"-14	9/16"-18	19.22	38.60	8.13	12.29	22 mm	22 mm	22 mm	Metric
DANPS4305-1008	7/8"-14	3/4"-16	22.35	38.60	11.18	12.29	22 mm	22 mm	27 mm	Metric
DANPS4305-1012	7/8"-14	1-1/16"-12	25.90	39.90	16.13	12.29	27 mm	32 mm	22 mm	Metric
DANPS4305-1006IN	7/8"-14	9/16"-18	19.22	38.60	8.13	12.29	7/8"	7/8"	7/8"	Imperial
DANPS4305-1008IN	7/8"-14	3/4"-16	22.35	38.60	11.18	12.29	7/8"	7/8"	1"	Imperial
DANPS4305-1012IN	7/8"-14	1-1/16"-12	25.90	39.90	16.13	12.29	1-1/16"	1-1/4"	7/8"	Imperial
DANPS4305-1210	3/4"-14	7/8"-14	25.90	39.90	16.13	12.29	27 mm	32 mm	27 mm	Metric
DANPS4305-1212	3/4"-14	1-1/16"-12	25.90	43.90	15.49	15.47	27 mm	32 mm	32 mm	Metric
DANPS4305-1216	3/4"-14	1-5/16"-12	25.65	47.20	15.75	21.44	33 mm	32 mm	41 mm	Metric
DANPS4305-1210IN	3/4"-14	7/8"-14	25.90	39.90	16.13	12.29	1-1/16"	1-1/4"	1"	Imperial
DANPS4305-1212IN	3/4"-14	1-1/16"-12	25.90	43.90	15.49	15.47	1-1/16"	1-1/4"	1-1/4"	Imperial
DANPS4305-1216IN	3/4"-14	1-5/16"-12	25.65	47.20	15.75	21.44	1-5/16"	1-1/4"	1-1/2"	Imperial
DANPS4305-1612	1"-11-1/2	1-1/16"-12	25.65	47.20	15.75	21.44	33 mm	32 mm	41 mm	Metric
DANPS4305-1616	1"-11-1/2	1-5/16"-12	29.21	47.20	19.81	21.44	33 mm	41 mm	41 mm	Metric
DANPS4305-1620	1"-11-1/2	1-5/8"-12	31.20	48.50	25.65	21.44	41 mm	50 mm	41 mm	Metric
DANPS4305-1612IN	1"-11-1/2	1-1/16"-12	25.65	47.20	15.75	21.44	1-5/16"	1-1/4"	1-1/2"	Imperial
DANPS4305-1616IN	1"-11-1/2	1-5/16"-12	29.21	47.20	19.81	21.44	1-5/16"	1-1/2"	1-1/2"	Imperial
DANPS4305-1620IN	1"-11-1/2	1-5/8"-12	31.20	48.50	25.65	21.44	1-5/8"	1-7/8"	1-1/2"	Imperial
DANPS4305-2016	1-1/4"-11-1/2	1-5/16"-12	31.20	48.50	25.65	21.44	41 mm	50 mm	41 mm	Metric
DANPS4305-2020	1-1/4"-11-1/2	1-5/8"-12	31.25	48.50	25.65	27.38	41 mm	50 mm	50 mm	Metric
DANPS4305-2024	1-1/4"-11-1/2	1-7/8"-12	36.82	48.50	31.75	27.38	50 mm	55 mm	50 mm	Metric
DANPS4305-2016IN	1-1/4"-11-1/2	1-5/16"-12	31.20	48.50	25.65	21.44	1-5/8"	1-7/8"	1-1/2"	Imperial
DANPS4305-2020IN	1-1/4"-11-1/2	1-5/8"-12	31.25	48.50	25.65	27.38	1-5/8"	1-7/8"	1-7/8"	Imperial
DANPS4305-2024IN	1-1/4"-11-1/2	1-7/8"-12	36.82	48.50	31.75	27.38	1-7/8"	2-1/8"	1-7/8"	Imperial
DANPS4305-2420	1-1/2"-11-1/2	1-5/8"-12	36.82	48.50	31.75	27.38	50 mm	55 mm	55 mm	Metric
DANPS4305-2424	1-1/2"-11-1/2	1-7/8"-12	34.30	48.51	31.75	33.32	50 mm	55 mm	55 mm	Metric
DANPS4305-2420IN	1-1/2"-11-1/2	1-5/8"-12	36.82	48.50	31.75	27.38	1-7/8"	2-1/8"	2-1/8"	Imperial
DANPS4305-2424IN	1-1/2"-11-1/2	1-7/8"-12	34.30	48.51	31.75	33.32	1-7/8"	2-1/8"	2-1/8"	Imperial

Web: <https://www.dmejde.com>  
E-mail: [info@dmejde.com](mailto:info@dmejde.com)





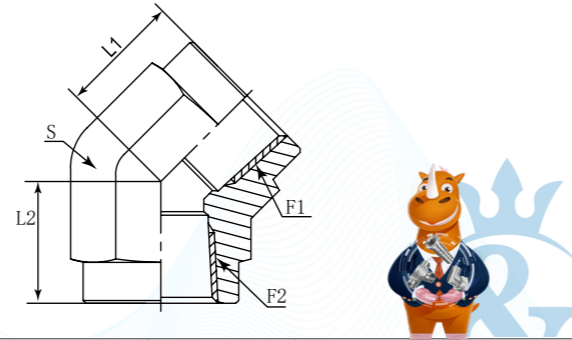
## DANPF428F

45° Elbow Connector NPTF Female - NPTF Female

<b>D</b>	<b>A</b>	<b>NP</b>	<b>F</b>	<b>4</b>	<b>28</b>	<b>F</b>
Company	Product Range	Thread Types	Connection Type	Adaptor Structure	Thread Types	Connection Type
<b>DME</b>	Adaptor	NPTF	Female	45° Elbow	NPTF	Female



<b>DME&amp;JDE Code:</b>	<b>DANPF428F</b>
<b>Product Type</b>	<b>Hydraulic Adaptor</b>
<b>Standard:</b>	<b>NPTF</b>
<b>Structure:</b>	<b>45° Elbow</b>
<b>Connection Type:</b>	<b>Female x Female</b>
<b>Thread Types:</b>	<b>NPTF x NPTF</b>



PART NUMBER	F1 (Thread)	F2 (Thread)	L1/L2	L2	S	Hex
#	NPTF	NPTF	mm	mm	-	-
DANPF428F-0202	1/8"-27	1/8"-27	12.70	12.70	14 mm	Metric
DANPF428F-0202IN	1/8"-27	1/8"-27	12.70	12.70	9/16"	Imperial
DANPF428F-0404	1/4"-18	1/4"-18	17.50	17.50	19 mm	Metric
DANPF428F-0404IN	1/4"-18	1/4"-18	17.50	17.50	3/4"	Imperial
DANPF428F-0606	3/8"-18	3/8"-18	19.10	19.10	22 mm	Metric
DANPF428F-0606IN	3/8"-18	3/8"-18	19.10	19.10	7/8"	Imperial
DANPF428F-0808	1/2"-14	1/2"-14	23.90	23.90	27 mm	Metric
DANPF428F-0808IN	1/2"-14	1/2"-14	23.90	23.90	1-1/16"	Imperial
DANPF428F-1212	3/4"-14	3/4"-14	25.40	25.40	33 mm	Metric
DANPF428F-1212IN	3/4"-14	3/4"-14	25.40	25.40	1-5/16"	Imperial
DANPF428F-1616	1"-11-1/2	1"-11-1/2	30.20	30.20	41 mm	Metric
DANPF428F-1616IN	1"-11-1/2	1"-11-1/2	30.20	30.20	1-5/8"	Imperial
DANPF428F-2020	1-1/4"-11-1/2	1-1/4"-11-1/2	36.60	36.60	50 mm	Metric
DANPF428F-2020IN	1-1/4"-11-1/2	1-1/4"-11-1/2	36.60	36.60	1-7/8"	Imperial
DANPF428F-2424	1-1/2"-11-1/2	1-1/2"-11-1/2	37.08	37.08	55 mm	Metric
DANPF428F-2424IN	1-1/2"-11-1/2	1-1/2"-11-1/2	37.08	37.08	2-1/8"	Imperial

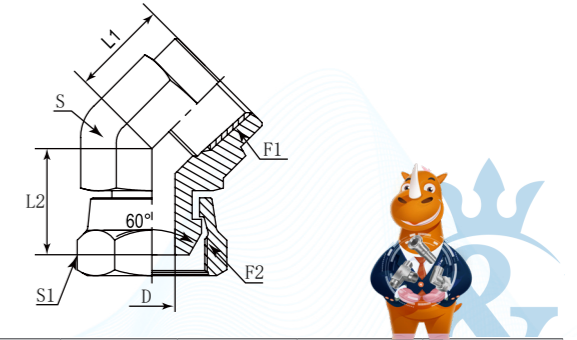
## DANPF4091

45° Elbow Connector NPTF Female - NPSM Swivel Female 60°

<b>D</b>	<b>A</b>	<b>NP</b>	<b>F</b>	<b>4</b>	<b>091</b>
Company	Product Range	Thread Types	Connection Type	Adaptor Structure	Connection Type
<b>DME</b>	Adaptor	NPTF	Female	45° Elbow	NPSM Swivel Female



<b>DME&amp;JDE Code:</b>	<b>DANPF4091</b>
<b>Product Type</b>	<b>Hydraulic Adaptor</b>
<b>Standard:</b>	<b>NPTF</b>
<b>Structure:</b>	<b>45° Elbow</b>
<b>Connection Type:</b>	<b>Female x Swivel Female</b>
<b>Thread Types:</b>	<b>NPTF x NPSM 60°</b>



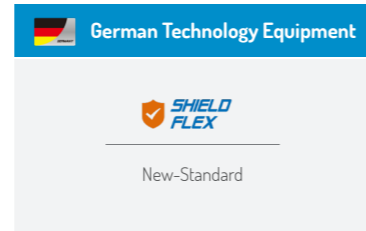
PART NUMBER	F1 (Thread)	F2 (Thread)	L1	L2	D	S	S1	Hex
#	NPTF	NPSM	mm	mm	mm	-	-	-
DANPF4091-0202	1/8"-27	1/8"-27	11.90	15.50	2.79	14 mm	14 mm	Metric
DANPF4091-0204	1/8"-27	1/4"-18	11.90	18.50	5.33	14 mm	19 mm	Metric
DANPF4091-0202IN	1/8"-27	1/8"-27	11.90	15.50	2.79	9/16"	9/16"	Imperial
DANPF4091-0204IN	1/8"-27	1/4"-18	11.90	18.50	5.33	9/16"	11/16"	Imperial
DANPF4091-0402	1/4"-18	1/8"-27	17.50	17.80	2.79	19 mm	14 mm	Metric
DANPF4091-0404	1/4"-18	1/4"-18	17.53	19.30	5.59	19 mm	19 mm	Metric
DANPF4091-0406	1/4"-18	3/8"-18	17.50	20.50	8.13	19 mm	22 mm	Metric
DANPF4091-0402IN	1/4"-18	1/8"-27	17.50	17.80	2.79	3/4"	9/16"	Imperial
DANPF4091-0404IN	1/4"-18	1/4"-18	17.53	19.30	5.59	3/4"	11/16"	Imperial
DANPF4091-0406IN	1/4"-18	3/8"-18	17.50	20.50	8.13	3/4"	7/8"	Imperial
DANPF4091-0604	3/8"-18	1/4"-18	19.05	19.56	5.33	22 mm	17 mm	Metric
DANPF4091-0606	3/8"-18	3/8"-18	19.05	19.56	8.13	22 mm	22 mm	Metric
DANPF4091-0608	3/8"-18	1/2"-14	19.05	22.35	11.18	22 mm	27 mm	Metric
DANPF4091-0604IN	3/8"-18	1/4"-18	19.05	19.56	5.33	7/8"	11/16"	Imperial
DANPF4091-0606IN	3/8"-18	3/8"-18	19.05	19.56	8.13	7/8"	7/8"	Imperial
DANPF4091-0608IN	3/8"-18	1/2"-14	19.05	22.35	11.18	7/8"	1"	Imperial
DANPF4091-0806	1/2"-14	3/8"-18	23.10	21.86	8.13	27 mm	22 mm	Metric
DANPF4091-0808	1/2"-14	1/2"-14	23.10	23.64	11.18	27 mm	27 mm	Metric
DANPF4091-0806IN	1/2"-14	3/8"-18	23.10	21.86	8.13	1-1/16"	7/8"	Imperial
DANPF4091-0808IN	1/2"-14	1/2"-14	23.10	23.64	11.18	1-1/16"	1"	Imperial
DANPF4091-1208	3/4"-14	1/2"-14	25.40	24.38	11.18	33 mm	27 mm	Metric
DANPF4091-1212	3/4"-14	3/4"-14	25.40	25.65	15.49	33 mm	32 mm	Metric
DANPF4091-1208IN	3/4"-14	1/2"-14	25.40	24.38	11.18	1-5/16"	1"	Imperial
DANPF4091-1212IN	3/4"-14	3/4"-14	25.40	25.65	15.49	1-5/16"	1-1/4"	Imperial
DANPF4091-1612	1"-11-1/2	3/4"-14	30.22	25.65	15.49	41 mm	32 mm	Metric
DANPF4091-1616	1"-11-1/2	1"-11-1/2	30.22	30.00	19.81	41 mm	41 mm	Metric
DANPF4091-1612IN	1"-11-1/2	3/4"-14	30.22	25.65	15.49	1-5/8"	1-1/4"	Imperial
DANPF4091-1616IN	1"-11-1/2	1"-11-1/2	30.22	30.00	19.81	1-5/8"	1-1/2"	Imperial
DANPF4091-2020	1-1/4"-11-1/2	1-1/4"-11-1/2	36.58	33.64	25.65	50 mm	50 mm	Metric
DANPF4091-2020IN	1-1/4"-11-1/2	1-1/4"-11-1/2	36.58	33.64	25.65	1-7/8"	1-7/8"	Imperial
DANPF4091-2424	1-1/2"-11-1/2	1-1/2"-11-1/2	37.08	37.08	32	65 mm	55 mm	Metric
DANPF4091-2424IN	1-1/2"-11-1/2	1-1/2"-11-1/2	37.08	37.08	32	2-5/8"	2-1/8"	Imperial
DANPF4091-3232	2"-11-1/2	2"-11-1/2	55.60	44.01	43.69	70 mm	70 mm	Metric
DANPF4091-3232IN	2"-11-1/2	2"-11-1/2	55.60	44.01	43.69	2-13/16"	2-5/8"	Imperial



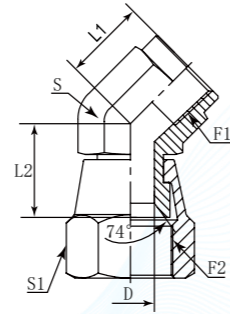
## DANPF4251

45° Elbow Connector NPTF Female - JIC Swivel Female 74°

<b>D</b>	<b>A</b>	<b>NP</b>	<b>F</b>	<b>4</b>	<b>251</b>
Company	Product Range	Thread Types	Connection Type	Adaptor Structure	Connection Type
<b>DME</b>	Adaptor	NPTF	Female	45° Elbow	JIC UNF Swivel Female



DME&JDE Code:	DANPF4251
Product Type	Hydraulic Adaptor
Standard:	NPTF
Structure:	45° Elbow
Connection Type:	Female x Swivel Female
Thread Types:	NPTF x JIC UNF 74°



PART NUMBER	F1 (Thread)	F2 (Thread)	D	L1	L2	S	S1	Hex
#	NPTF	UNF	mm	mm	mm	-	-	-
DANPF4251-0404	1/4"-18	7/16"-20	7.54	21.08	15.75	19 mm	14 mm	Metric
DANPF4251-0406	1/4"-18	9/16"-18	7.54	19.05	15.75	19 mm	19 mm	Metric
DANPF4251-0404IN	1/4"-18	7/16"-20	7.54	21.08	15.75	3/4"	9/16"	Imperial
DANPF4251-0406IN	1/4"-18	9/16"-18	7.54	19.05	15.75	3/4"	11/16"	Imperial
DANPF4251-0606	3/8"-18	9/16"-18	7.54	19.05	18.92	22 mm	19 mm	Metric
DANPF4251-0608	3/8"-18	3/4"-16	9.93	19.05	21.79	22 mm	22 mm	Metric
DANPF4251-0606IN	3/8"-18	9/16"-18	7.54	19.05	18.92	7/8"	11/16"	Imperial
DANPF4251-0608IN	3/8"-18	3/4"-16	9.93	19.05	21.79	7/8"	7/8"	Imperial
DANPF4251-0808	1/2"-14	3/4"-16	9.93	21.77	21.79	27 mm	22 mm	Metric
DANPF4251-0808IN	1/2"-14	3/4"-16	9.93	21.77	21.79	1-1/8"	7/8"	Imperial
DANPF4251-1212	3/4"-14	1-1/16"-12	15.47	25.40	23.88	33 mm	32 mm	Metric
DANPF4251-1212IN	3/4"-14	1-1/16"-12	15.47	25.40	23.88	1-5/16"	1-1/4"	Imperial
DANPF4251-1616	1"-11-1/2	1-5/16"-12	21.44	30.22	29.36	41 mm	41 mm	Metric
DANPF4251-1616IN	1"-11-1/2	1-5/16"-12	21.44	30.22	29.36	1-5/8"	1-1/2"	Imperial
DANPF4251-2020	1-1/4"-11-1/2	1-5/8"-12	27.42	36.58	35.66	48 mm	50 mm	Metric
DANPF4251-2020IN	1-1/4"-11-1/2	1-5/8"-12	27.42	36.58	35.66	1-7/8"	2"	Imperial

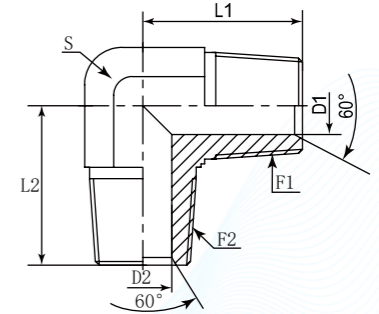
## DANPM928M

90° Elbow Connector NPTF Male 60° - NPTF Male 60°

<b>D</b>	<b>A</b>	<b>NP</b>	<b>M</b>	<b>9</b>	<b>28</b>	<b>M</b>
Company	Product Range	Thread Types	Connection Type	Adaptor Structure	Thread Types	Connection Type
<b>DME</b>	Adaptor	NPTF	Male	90° Elbow	NPTF	Male



DME&JDE Code:	DANPM928M
Product Type	Hydraulic Adaptor
Standard:	NPTF
Structure:	90° Elbow
Connection Type:	Male x Male
Thread Types:	NPTF 60° x NPTF 60°



PART NUMBER	F1 (Thread)	F2 (Thread)	D1	D2	L1	L2	S	Hex
#	NPTF	NPTF	mm	mm	mm	mm	-	-
DANPM928M-0202	1/8"-27	1/8"-27	4.78	4.78	19.81	19.81	11 mm	Metric
DANPM928M-0202IN	1/8"-27	1/8"-27	4.78	4.78	19.81	19.81	7/16"	Imperial
DANPM928M-0402	1/4"-18	1/8"-27	7.14	4.78	27.70	22.40	14 mm	Metric
DANPM928M-0404	1/4"-18	1/4"-18	7.14	7.14	27.70	27.70	14 mm	Metric
DANPM928M-0402IN	1/4"-18	1/8"-27	7.14	4.78	27.70	22.40	9/16"	Imperial
DANPM928M-0404IN	1/4"-18	1/4"-18	7.14	7.14	27.70	27.70	9/16"	Imperial
DANPM928M-0604	3/8"-18	1/4"-18	10.31	7.14	30.99	30.99	19 mm	Metric
DANPM928M-0606	3/8"-18	3/8"-18	10.31	10.31	30.99	30.99	19 mm	Metric
DANPM928M-0604IN	3/8"-18	1/4"-18	10.31	7.14	30.99	30.99	3/4"	Imperial
DANPM928M-0606IN	3/8"-18	3/8"-18	10.31	10.31	30.99	30.99	3/4"	Imperial
DANPM928M-0804	1/2"-14	1/4"-18	13.49	7.14	37.30	32.50	22 mm	Metric
DANPM928M-0806	1/2"-14	3/8"-18	13.49	10.31	37.30	32.50	22 mm	Metric
DANPM928M-0808	1/2"-14	1/2"-14	13.49	13.49	37.30	37.30	22 mm	Metric
DANPM928M-0804IN	1/2"-14	1/4"-18	13.49	7.14	37.30	32.50	7/8"	Imperial
DANPM928M-0806IN	1/2"-14	3/8"-18	13.49	10.31	37.30	32.50	7/8"	Imperial
DANPM928M-0808IN	1/2"-14	1/2"-14	13.49	13.49	37.30	37.30	7/8"	Imperial
DANPM928M-1208	3/4"-14	1/2"-14	18.26	13.49	40.40	40.40	27 mm	Metric
DANPM928M-1212	3/4"-14	3/4"-14	18.26	18.26	40.40	40.40	27 mm	Metric
DANPM928M-1208IN	3/4"-14	1/2"-14	18.26	13.49	40.40	40.40	1-1/16"	Imperial
DANPM928M-1212IN	3/4"-14	3/4"-14	18.26	18.26	40.40	40.40	1-1/16"	Imperial
DANPM928M-1608	1"-11-1/2	1/2"-14	23.83	13.49	50.00	45.20	33 mm	Metric
DANPM928M-1612	1"-11-1/2	3/4"-14	23.83	18.26	50.00	45.20	33 mm	Metric
DANPM928M-1616	1"-11-1/2	1"-11-1/2	23.83	23.83	50.00	50.00	33 mm	Metric
DANPM928M-1608IN	1"-11-1/2	1/2"-14	23.83	13.49	50.00	45.20	1-5/16"	Imperial
DANPM928M-1612IN	1"-11-1/2	3/4"-14	23.83	18.26	50.00	45.20	1-5/16"	Imperial
DANPM928M-1616IN	1"-11-1/2	1"-11-1/2	23.83	23.83	50.00	50.00	1-5/16"	Imperial
DANPM928M-2016	1-1/4"-11-1/2	1"-11-1/2	31.75	23.83	60.50	59.70	41 mm	Metric
DANPM928M-2020	1-1/4"-11-1/2	1-1/4"-11-1/2	31.75	31.75	60.50	60.50	41 mm	Metric
DANPM928M-2016IN	1-1/4"-11-1/2	1"-11-1/2	31.75	23.83	60.50	59.70	1-5/8"	Imperial
DANPM928M-2020IN	1-1/4"-11-1/2	1-1/4"-11-1/2	31.75	31.75	60.50	60.50	1-5/8"	Imperial
DANPM928M-2424	1-1/2"-11-1/2	1-1/2"-11-1/2	38.10	38.10	67.10	67.10	50 mm	Metric
DANPM928M-2424IN	1-1/2"-11-1/2	1-1/2"-11-1/2	38.10	38.10	67.10	67.10	1-7/8"	Imperial
DANPM928M-3232	2"-11-1/2	2"-11-1/2	49.23	49.23	76.20	76.20	60 mm	Metric
DANPM928M-3232IN	2"-11-1/2	2"-11-1/2	49.23	49.23	76.20	76.20	2-1/2"	Imperial

## DANPM9305

90° Adjustable Elbow NPTF Male 60° - SAE Male O Ring

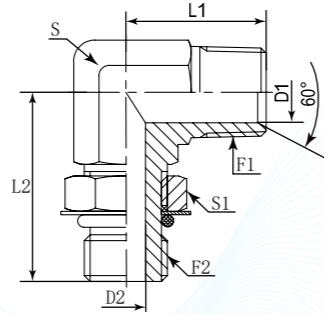
<b>D</b>	<b>A</b>	<b>NP</b>	<b>M</b>	<b>9</b>	<b>30</b>	<b>5</b>
Company	Product Range	Thread Types	Connection Type	Adaptor Structure	Thread Types	Connection Type
<b>DME</b>	Adaptor	NPTF	Male	90° Elbow	SAE UNF	Male O Ring

German Technology Equipment

**SHIELD FLEX**

New-Standard

- DME&JDE Code: DANPM9305
- Product Type: Hydraulic Adaptor
- Standard: NPTF
- Structure: 90° Elbow
- Connection Type: Male x Male
- Thread Types: NPTF 60° x SAE UNF + O Ring
- Sealing Method: O Ring



PART NUMBER	F1 (Thread)	F2 (Thread)	L1	L2	D1	D2	S	S1	Hex
#	NPTF	UNF	mm	mm	mm	mm	-	-	-
DANPM9305-0204	1/8"-27	7/16"-20	19.80	26.2	4.78	4.37	11 mm	14 mm	Metric
DANPM9305-0205	1/8"-27	1/2"-20	19.80	28.70	4.78	5.94	14 mm	17 mm	Metric
DANPM9305-0204IN	1/8"-27	7/16"-20	19.80	26.2	4.78	4.37	7/16"	9/16"	Imperial
DANPM9305-0205IN	1/8"-27	1/2"-20	19.80	28.70	4.78	5.94	9/16"	5/8"	Imperial
DANPM9305-0404	1/4"-18	7/16"-20	27.70	30.20	7.14	4.37	14 mm	14 mm	Metric
DANPM9305-0405	1/4"-18	1/2"-20	27.70	28.70	7.14	5.94	14 mm	17 mm	Metric
DANPM9305-0406	1/4"-18	9/16"-18	27.70	31.80	7.14	7.54	14 mm	17 mm	Metric
DANPM9305-0404IN	1/4"-18	7/16"-20	27.70	30.20	7.14	4.37	9/16"	9/16"	Imperial
DANPM9305-0405IN	1/4"-18	1/2"-20	27.70	28.70	7.14	5.94	9/16"	5/8"	Imperial
DANPM9305-0406IN	1/4"-18	9/16"-18	27.70	31.80	7.14	7.54	9/16"	11/16"	Imperial
DANPM9305-0604	3/8"-18	7/16"-20	31.00	32.00	10.31	4.37	19 mm	14 mm	Metric
DANPM9305-0606	3/8"-18	9/16"-18	31.00	33.50	10.31	7.54	19 mm	17 mm	Metric
DANPM9305-0608	3/8"-18	3/4"-16	31.00	36.80	10.31	9.93	19 mm	22 mm	Metric
DANPM9305-0604IN	3/8"-18	7/16"-20	31.00	32.00	10.31	4.37	3/4"	9/16"	Imperial
DANPM9305-0606IN	3/8"-18	9/16"-18	31.00	33.50	10.31	7.54	3/4"	11/16"	Imperial
DANPM9305-0608IN	3/8"-18	3/4"-16	31.00	36.80	10.31	9.93	3/4"	7/8"	Imperial
DANPM9305-0808	1/2"-14	3/4"-16	37.30	39.10	13.49	9.93	22 mm	22 mm	Metric
DANPM9305-0810	1/2"-14	7/8"-14	37.30	43.20	13.49	12.29	22 mm	27 mm	Metric
DANPM9305-0808IN	1/2"-14	3/4"-16	37.30	39.10	13.49	9.93	7/8"	7/8"	Imperial
DANPM9305-0810IN	1/2"-14	7/8"-14	37.30	43.20	13.49	12.29	7/8"	1"	Imperial
DANPM9305-1210	3/4"-14	7/8"-14	40.40	45.20	18.26	12.29	27 mm	27 mm	Metric
DANPM9305-1212	3/4"-14	1-1/16"-12	40.40	49.30	18.26	15.47	27 mm	32 mm	Metric
DANPM9305-1214	3/4"-14	1-3/16"-12	42.00	50.80	18.26	18.26	33 mm	36 mm	Metric
DANPM9305-1216	3/4"-14	1-5/16"-12	42.90	52.10	18.26	21.44	33 mm	41 mm	Metric
DANPM9305-1210IN	3/4"-14	7/8"-14	40.40	45.20	18.26	12.29	1-1/16"	1"	Imperial
DANPM9305-1212IN	3/4"-14	1-1/16"-12	40.40	49.30	18.26	15.47	1-1/16"	1-1/4"	Imperial
DANPM9305-1214IN	3/4"-14	1-3/16"-12	42.00	50.80	18.26	18.26	1-5/16"	1-3/8"	Imperial
DANPM9305-1216IN	3/4"-14	1-5/16"-12	42.90	52.10	18.26	21.44	1-5/16"	1-1/2"	Imperial
DANPM9305-1612	1"-11-1/2	1-1/16"-12	50.00	52.10	23.83	15.47	33 mm	32 mm	Metric
DANPM9305-1616	1"-11-1/2	1-5/16"-12	50.00	52.10	23.83	21.44	33 mm	41 mm	Metric
DANPM9305-1612IN	1"-11-1/2	1-1/16"-12	50.00	52.10	23.83	15.47	1-5/16"	1-1/4"	Imperial
DANPM9305-1616IN	1"-11-1/2	1-5/16"-12	50.00	52.10	23.83	21.44	1-5/16"	1-1/2"	Imperial
DANPM9305-2020	1-1/4"-11-1/2	1-5/8"-12	60.50	57.20	31.75	27.38	41 mm	50 mm	Metric
DANPM9305-2020IN	1-1/4"-11-1/2	1-5/8"-12	60.50	57.20	31.75	27.38	1-5/8"	1-7/8"	Imperial
DANPM9305-2420	1-1/2"-11-1/2	1-5/8"-12	67.10	60.70	38.10	27.38	50 mm	50 mm	Metric
DANPM9305-2424	1-1/2"-11-1/2	1-7/8"-12	67.10	60.70	38.10	33.32	50 mm	55 mm	Metric
DANPM9305-2420IN	1-1/2"-11-1/2	1-5/8"-12	67.10	60.70	38.10	27.38	1-7/8"	1-7/8"	Imperial
DANPM9305-2424IN	1-1/2"-11-1/2	1-7/8"-12	67.10	60.70	38.10	33.32	1-7/8"	2-1/8"	Imperial
DANPM9305-3232	2"-11-1/2	2-1/2"-12	76.20	73.40	49.23	45.24	60 mm	70 mm	Metric
DANPM9305-3232IN	2"-11-1/2	2-1/2"-12	76.20	73.40	49.23	45.24	2-1/2"	2-3/4"	Imperial



## DANPM928F

90° Elbow Connector NPTF Male 60° - NPTF Female

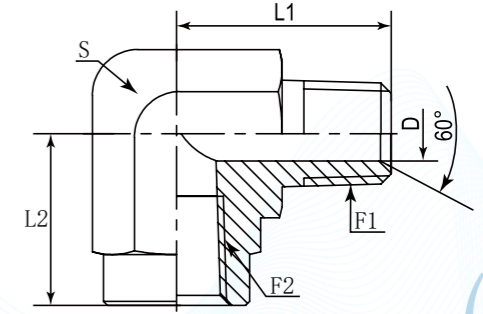
<b>D</b>	<b>A</b>	<b>NP</b>	<b>M</b>	<b>9</b>	<b>28</b>	<b>F</b>
Company	Product Range	Thread Types	Connection Type	Adaptor Structure	Thread Types	Connection Type
<b>DME</b>	Adaptor	NPTF	Male	90° Elbow	NPTF	Female

German Technology Equipment

**SHIELD FLEX**

New-Standard

- DME&JDE Code: DANPM928F
- Product Type: Hydraulic Adaptor
- Standard: NPTF
- Structure: 90° Elbow
- Connection Type: Male x Female
- Thread Types: NPTF 60° x NPTF



PART NUMBER	F1 (Thread)	F2 (Thread)	D	L1	L2	S	Hex
#	NPTF	NPTF	mm	mm	mm	-	-
DANPM928F-0202	1/8"-27	1/8"-27	4.78	19.80	16.80	14 mm	Metric
DANPM928F-0204	1/8"-27	1/4"-18	4.78	22.90	22.40	19 mm	Metric
DANPM928F-0206	1/8"-27	3/8"-18	4.78	26.50	25.90	22 mm	Metric
DANPM928F-0202IN	1/8"-27	1/8"-27	4.78	19.80	16.80	9/16"	Imperial
DANPM928F-0204IN	1/8"-27	1/4"-18	4.78	22.90	22.40	3/4"	Imperial
DANPM928F-0206IN	1/8"-27	3/8"-18	4.78	26.50	25.90	7/8"	Imperial
DANPM928F-0402	1/4"-18	1/8"-27	7.14	27.70	17.00	14 mm	Metric
DANPM928F-0404	1/4"-18	1/4"-18	7.14	27.70	22.40	19 mm	Metric
DANPM928F-0406	1/4"-18	3/8"-18	7.14	31.10	25.90	22 mm	Metric
DANPM928F-0408	1/4"-18	1/2"-14	7.14	32.50	31.20	27 mm	Metric
DANPM928F-0402IN	1/4"-18	1/8"-27	7.14	27.70	17.00	9/16"	Imperial
DANPM928F-0404IN	1/4"-18	1/4"-18	7.14	27.70	22.40	3/4"	Imperial
DANPM928F-0406IN	1/4"-18	3/8"-18	7.14	31.10	25.90	7/8"	Imperial
DANPM928F-0408IN	1/4"-18	1/2"-14	7.14	32.50	31.20	1-1/16"	Imperial
DANPM928F-0602	3/8"-18	1/8"-27	10.31	28.00	22.35	19 mm	Metric
DANPM928F-0604	3/8"-18	1/4"-18	10.31	31.10	25.70	22 mm	Metric
DANPM928F-0606	3/8"-18	3/8"-18	10.31	30.99	25.91	22 mm	Metric
DANPM928F-0608	3/8"-18	1/2"-14	10.31	32.50	31.20	27 mm	Metric
DANPM928F-0602IN	3/8"-18	1/8"-27	10.31	28.00	22.35	3/4"	Imperial
DANPM928F-0604IN	3/8"-18	1/4"-18	10.31	31.10	25.70	7/8"	Imperial





DANPM928F-0606IN	3/8"-18	3/8"-18	10.31	30.99	25.91	7/8"	Imperial
DANPM928F-0608IN	3/8"-18	1/2"-14	10.31	32.50	31.20	1-1/16"	Imperial
DANPM928F-0804	1/2"-14	1/4"-18	13.49	37.30	25.40	22 mm	Metric
DANPM928F-0806	1/2"-14	3/8"-18	13.49	37.30	25.90	22 mm	Metric
DANPM928F-0808	1/2"-14	1/2"-14	13.49	37.30	31.20	27 mm	Metric
DANPM928F-0812	1/2"-14	3/4"-14	13.49	40.40	34.50	33 mm	Metric
DANPM928F-0804IN	1/2"-14	1/4"-18	13.49	37.30	25.40	7/8"	Imperial
DANPM928F-0806IN	1/2"-14	3/8"-18	13.49	37.30	25.90	7/8"	Imperial
DANPM928F-0808IN	1/2"-14	1/2"-14	13.49	37.30	31.20	1-1/16"	Imperial
DANPM928F-0812IN	1/2"-14	3/4"-14	13.49	40.40	34.50	1-5/16"	Imperial
DANPM928F-1206	3/4"-14	3/8"-18	18.26	40.40	26.40	27 mm	Metric
DANPM928F-1208	3/4"-14	1/2"-14	18.26	40.40	31.20	27 mm	Metric
DANPM928F-1212	3/4"-14	3/4"-14	18.26	40.40	34.50	33 mm	Metric
DANPM928F-1216	3/4"-14	1"-11-1/2	18.26	46.30	41.10	41 mm	Metric
DANPM928F-1206IN	3/4"-14	3/8"-18	18.26	40.40	26.40	1-1/16"	Imperial
DANPM928F-1208IN	3/4"-14	1/2"-14	18.26	40.40	31.20	1-1/16"	Imperial
DANPM928F-1212IN	3/4"-14	3/4"-14	18.26	40.40	34.50	1-5/16"	Imperial
DANPM928F-1216IN	3/4"-14	1"-11-1/2	18.26	46.30	41.10	1-5/8"	Imperial
DANPM928F-1612	1"-11-1/2	3/4"-14	23.83	46.70	34.50	33 mm	Metric
DANPM928F-1616	1"-11-1/2	1"-11-1/2	23.83	50.00	41.20	41 mm	Metric
DANPM928F-1620	1"-11-1/2	1-1/4"-11-1/2	23.83	59.70	43.20	50 mm	Metric
DANPM928F-1612IN	1"-11-1/2	3/4"-14	23.83	46.70	34.50	1-5/16"	Imperial
DANPM928F-1616IN	1"-11-1/2	1"-11-1/2	23.83	50.00	41.20	1-5/8"	Imperial
DANPM928F-1620IN	1"-11-1/2	1-1/4"-11-1/2	23.83	59.70	43.20	1-7/8"	Imperial
DANPM928F-2016	1-1/4"-11-1/2	1"-11-1/2	31.75	60.50	42.67	41 mm	Metric
DANPM928F-2020	1-1/4"-11-1/2	1-1/4"-11-1/2	31.75	60.50	43.20	50 mm	Metric
DANPM928F-2024	1-1/4"-11-1/2	1-1/2"-11-1/2	31.75	66.29	52.82	65 mm	Metric
DANPM928F-2016IN	1-1/4"-11-1/2	1"-11-1/2	31.75	60.50	42.67	1-5/8"	Imperial
DANPM928F-2020IN	1-1/4"-11-1/2	1-1/4"-11-1/2	31.75	60.50	43.20	1-7/8"	Imperial
DANPM928F-2024IN	1-1/4"-11-1/2	1-1/2"-11-1/2	31.75	66.29	52.82	2-9/16"	Imperial
DANPM928F-2420	1-1/2"-11-1/2	1-1/4"-11-1/2	38.10	67.10	43.20	50 mm	Metric
DANPM928F-2424	1-1/2"-11-1/2	1-1/2"-11-1/2	38.10	67.10	52.80	65 mm	Metric
DANPM928F-2420IN	1-1/2"-11-1/2	1-1/4"-11-1/2	38.10	67.10	43.20	1-7/8"	Imperial
DANPM928F-2424IN	1-1/2"-11-1/2	1-1/2"-11-1/2	38.10	67.10	52.80	2-9/16"	Imperial
DANPM928F-3232	2"-11-1/2	2"-11-1/2	49.23	76.20	60.70	70 mm	Metric
DANPM928F-3232IN	2"-11-1/2	2"-11-1/2	49.23	76.20	60.70	2-13/16"	Imperial

## DANPF9091

90° Elbow Connector NPTF Male - NPSM Swivel Female 60° Cone

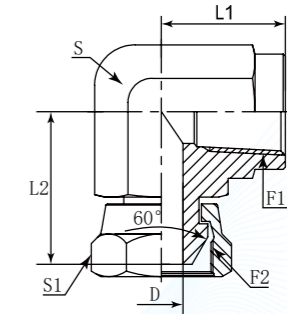
<b>D</b>	<b>A</b>	<b>NP</b>	<b>F</b>	<b>9</b>	<b>091</b>
Company	Product Range	Thread Types	Connection Type	Adaptor Structure	Connection Type
<b>DME</b>	Adaptor	NPTF	Female	90° Elbow	NPSM Swivel Female

German Technology Equipment

SHIELD FLEX

New-Standard

- DME&JDE Code:** DANPF9091
- Product Type:** Hydraulic Adaptor
- Standard:** NPTF
- Structure:** 90° Elbow
- Connection Type:** Female x Swivel Female
- Thread Types:** NPTF x NPSM 60° Cone



PART NUMBER	F1 (Thread)	F2 (Thread)	L1	L2	D	S	S1	Hex
#	NPTF	NPSM	mm	mm	mm	-	-	-
DANPF9091-0202	1/8"-27	1/8"-27	16.76	20.32	2.79	14 mm	14 mm	Metric
DANPF9091-0204	1/8"-27	1/4"-18	16.80	20.14	5.33	14 mm	19 mm	Metric
DANPF9091-0202IN	1/8"-27	1/8"-27	16.76	20.32	2.79	9/16"	9/16"	Imperial
DANPF9091-0204IN	1/8"-27	1/4"-18	16.80	20.14	5.33	9/16"	11/16"	Imperial
DANPF9091-0402	1/4"-18	1/8"-27	22.40	22.35	2.79	19 mm	14 mm	Metric
DANPF9091-0404	1/4"-18	1/4"-18	22.40	25.00	5.33	19 mm	19 mm	Metric
DANPF9091-0406	1/4"-18	3/8"-18	22.40	25.65	8.13	19 mm	22 mm	Metric
DANPF9091-0402IN	1/4"-18	1/8"-27	22.40	22.35	2.79	3/4"	9/16"	Imperial
DANPF9091-0404IN	1/4"-18	1/4"-18	22.40	25.00	5.33	3/4"	11/16"	Imperial
DANPF9091-0406IN	1/4"-18	3/8"-18	22.40	25.65	8.13	3/4"	7/8"	Imperial
DANPF9091-0606	3/8"-18	3/8"-18	25.90	26.92	8.13	22 mm	22 mm	Metric
DANPF9091-0608	3/8"-18	1/2"-14	25.90	28.70	11.18	22 mm	27 mm	Metric
DANPF9091-0606IN	3/8"-18	3/8"-18	25.90	26.92	8.13	7/8"	7/8"	Imperial
DANPF9091-0608IN	3/8"-18	1/2"-14	25.90	28.70	11.18	7/8"	1"	Imperial
DANPF9091-0804	1/2"-14	1/4"-18	31.20	29.50	5.33	27 mm	19 mm	Metric
DANPF9091-0806	1/2"-14	3/8"-18	31.20	30.50	8.13	27 mm	22 mm	Metric
DANPF9091-0808	1/2"-14	1/2"-14	31.20	31.40	11.18	27 mm	27 mm	Metric
DANPF9091-0812	1/2"-14	3/4"-14	31.20	31.50	15.49	27 mm	32 mm	Metric
DANPF9091-0804IN	1/2"-14	1/4"-18	31.20	29.50	5.33	1-1/16"	11/16"	Imperial
DANPF9091-0806IN	1/2"-14	3/8"-18	31.20	30.50	8.13	1-1/16"	7/8"	Imperial
DANPF9091-0808IN	1/2"-14	1/2"-14	31.20	31.40	11.18	1-1/16"	1"	Imperial
DANPF9091-0812IN	1/2"-14	3/4"-14	31.20	31.50	15.49	1-1/16"	1-1/4"	Imperial
DANPF9091-1208	3/4"-14	1/2"-14	34.50	37.30	11.18	33 mm	27 mm	Metric
DANPF9091-1212	3/4"-14	3/4"-14	34.50	37.30	15.50	33 mm	32 mm	Metric
DANPF9091-1216	3/4"-14	1"-11-1/2	34.56	37.73	19.81	33 mm	41 mm	Metric
DANPF9091-1208IN	3/4"-14	1/2"-14	34.50	37.30	11.18	1-5/16"	1"	Imperial
DANPF9091-1212IN	3/4"-14	3/4"-14	34.50	37.30	15.50	1-5/16"	1-1/4"	Imperial
DANPF9091-1216IN	3/4"-14	1"-11-1/2	34.56	37.73	19.81	1-5/16"	1-1/2"	Imperial
DANPF9091-1612	1"-11-1/2	3/4"-14	41.20	41.20	15.49	41 mm	32 mm	Metric
DANPF9091-1616	1"-11-1/2	1"-11-1/2	41.20	43.90	19.81	41 mm	41 mm	Metric
DANPF9091-1612IN	1"-11-1/2	3/4"-14	41.20	41.20	15.49	1-5/8"	1-1/4"	Imperial
DANPF9091-1616IN	1"-11-1/2	1"-11-1/2	41.20	43.90	19.81	1-5/8"	1-1/2"	Imperial
DANPF9091-2016	1-1/4"-11-1/2	1"-11-1/2	43.20	46.00	19.81	50 mm	41 mm	Metric
DANPF9091-2020	1-1/4"-11-1/2	1-1/4"-11-1/2	43.20	46.50	25.65	50 mm	50 mm	Metric
DANPF9091-2016IN	1-1/4"-11-1/2	1"-11-1/2	43.20	46.00	19.81	1-7/8"	1-1/2"	Imperial
DANPF9091-2020IN	1-1/4"-11-1/2	1-1/4"-11-1/2	43.20	46.50	25.65	1-7/8"	1-7/8"	Imperial
DANPF9091-2424	1-1/2"-11-1/2	1-1/2"-11-1/2	52.80	61.21	31.75	65 mm	55 mm	Metric
DANPF9091-2424IN	1-1/2"-11-1/2	1-1/2"-11-1/2	52.80	61.21	31.75	2-9/16"	2-1/8"	Imperial
DANPF9091-3232	2"-11-1/2	2"-11-1/2	60.70	65.28	43.69	70 mm	65 mm	Metric
DANPF9091-3232IN	2"-11-1/2	2"-11-1/2	60.70	65.28	43.69	2-13/16"	2-5/8"	Imperial

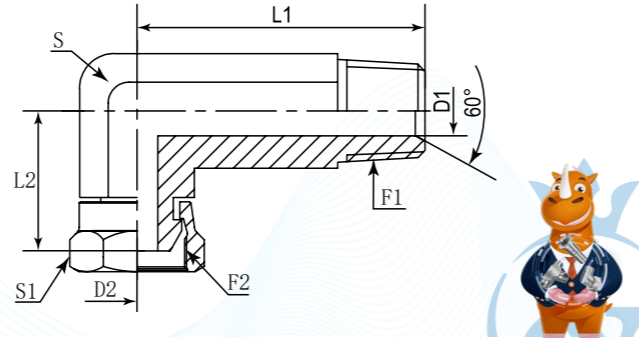
## DANPP9091

90° Long Elbow Connector NPTF Male 60° - NPSM Swivel Female 60° Cone

<b>D</b>	<b>A</b>	<b>NP</b>	<b>P</b>	<b>9</b>	<b>091</b>
Company	Product Range	Thread Types	Connection Type	Adaptor Structure	Connection Type
<b>DME</b>	Adaptor	NPTF	Long +Male	90° Elbow	NPSM Swivel Female



- DME&JDE Code:** DANPP9091
- Product Type:** Hydraulic Adaptor
- Standard:** NPTF
- Structure:** 90° Elbow
- Connection Type:** Male x Swivel Female
- Thread Types:** NPTF 60° x NPSM 60° Cone



PART NUMBER	F1 (Thread)	F2 (Thread)	L1	L2	D1	D2	S	S1	S1
#	NPTF	NPSM	mm	mm	mm	mm	-	-	-
DANPP9091-0202	1/8"-27	1/8"-27	41.70	18.80	4.78	2.79	11 mm	14 mm	Metric
DANPP9091-0202IN	1/8"-27	1/8"-27	41.70	18.80	4.78	2.79	7/16"	9/16"	Imperial
DANPP9091-0404	1/4"-18	1/4"-18	7.14	5.33	57.15	23.88	14 mm	19 mm	Metric
DANPP9091-0404IN	1/4"-18	1/4"-18	7.14	5.33	57.15	23.88	9/16"	11/16"	Imperial
DANPP9091-0606	3/8"-18	3/8"-18	70.10	28.45	10.31	8.13	19 mm	22 mm	Metric
DANPP9091-0608	3/8"-18	1/2"-14	76.20	28.19	10.31	11.18	22 mm	27 mm	Metric
DANPP9091-0606IN	3/8"-18	3/8"-18	70.10	28.45	10.31	8.13	3/4"	7/8"	Imperial
DANPP9091-0608IN	3/8"-18	1/2"-14	76.20	28.19	10.31	11.18	7/8"	1"	Imperial
DANPP9091-0806	1/2"-14	3/8"-18	81.00	26.41	13.49	8.13	22 mm	22 mm	Metric
DANPP9091-0808	1/2"-14	1/2"-14	81.00	28.19	13.49	11.18	22 mm	27 mm	Metric
DANPP9091-0806IN	1/2"-14	3/8"-18	81.00	26.41	13.49	8.13	7/8"	7/8"	Imperial
DANPP9091-0808IN	1/2"-14	1/2"-14	81.00	28.19	13.49	11.18	7/8"	1"	Imperial
DANPP9091-1212	3/4"-14	3/4"-14	93.00	33.02	18.26	16.13	27 mm	32 mm	Metric
DANPP9091-1212IN	3/4"-14	3/4"-14	93.00	33.02	18.26	16.13	1-1/16"	1-1/4"	Imperial
DANPP9091-1616	1"-11-1/2	1"-11-1/2	110.00	39.12	23.83	19.81	33 mm	41 mm	Metric
DANPP9091-1616IN	1"-11-1/2	1"-11-1/2	110.00	39.12	23.83	19.81	1-5/16"	1-1/2"	Imperial

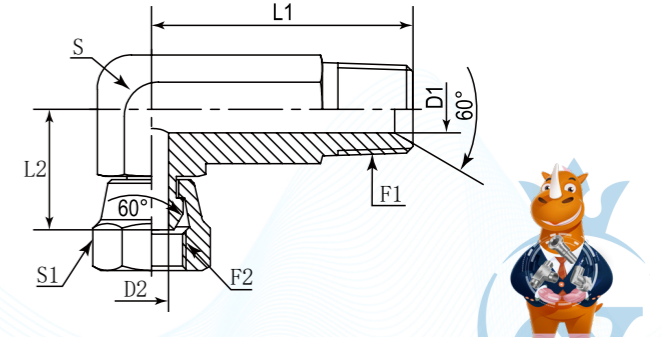
## DANPM9091-LL

90° X-Long Elbow Connector NPTF Male 60° - NPSM Swivel Female 60° Cone

<b>D</b>	<b>A</b>	<b>NP</b>	<b>M</b>	<b>9</b>	<b>091</b>	<b>LL</b>
Company	Product Range	Thread Types	Connection Type	Adaptor Structure	Connection Type	Elbow Type
<b>DME</b>	Adaptor	NPTF	Male	90° Elbow	NPSM Swivel Female	X-Long



- DME&JDE Code:** DANPM9091-LL
- Product Type:** Hydraulic Adaptor
- Standard:** NPTF
- Structure:** 90° Elbow
- Connection Type:** Male x Swivel Female
- Thread Types:** NPTF 60° x NPSM 60° Cone



PART NUMBER	F1 (Thread)	F2 (Thread)	D1	D2	L1	L2	S	S1	Cross Number
#	NPTF	NPSM	mm	mm	mm	mm	mm	mm	-
DANPM9091-LL-0202	1/8"-27	1/8"-27	4.78	2.79	41.66	18.80	11.10	14.27	1501-LL-0202
DANPM9091-LL-0404	1/4"-18	1/4"-18	7.14	5.33	57.15	23.88	14.28	17.48	1501-LL-0404
DANPM9091-LL-0606	3/8"-18	3/8"-18	10.31	8.13	70.10	28.45	19.05	22.23	1501-LL-0606
DANPM9091-LL-0608	3/8"-18	1/2"-14	10.31	11.18	76.20	28.19	22.22	25.40	1501-LL-0608
DANPM9091-LL-0806	1/2"-14	3/8"-18	13.49	8.13	81.00	26.41	22.22	22.23	1501-LL-0806
DANPM9091-LL-0808	1/2"-14	1/2"-14	13.49	11.18	81.00	28.19	22.22	25.40	1501-LL-0808
DANPM9091-LL-1212	3/4"-14	3/4"-14	18.26	16.13	93.00	33.02	26.97	31.75	1501-LL-1212
DANPM9091-LL-1616	1"-11-1/2	1"-11-1/2	23.83	19.81	110.00	39.12	33.32	38.10	1501-LL-1616

## DANPF9305

90° Adjustable Elbow NPTF Female - SAE Male + O Ring

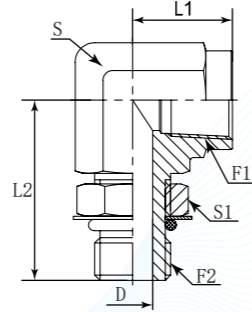
<b>D</b>	<b>A</b>	<b>NP</b>	<b>F</b>	<b>9</b>	<b>30</b>	<b>5</b>
Company	Product Range	Thread Types	Connection Type	Adaptor Structure	Thread Types	Sealing Type
<b>DME</b>	Adaptor	NPTF	Female	90° Elbow	SAE	Male + O Ring

German Technology Equipment

**SHIELD FLEX**

New-Standard

- DME&JDE Code: DANPF9305
- Product Type: Hydraulic Adaptor
- Standard: NPTF
- Structure: 90° Elbow
- Connection Type: Adjustable Female x Male
- Thread Types: NPTF 60° x UNF + O Ring
- Sealing Method: O Ring



PART NUMBER	F1 (Thread)	F2 (Thread)	L1	L2	D	S	S1	Hex
#	NPTF	UNF	mm	mm	mm	-	-	-
DANPF9305-0204IN	1/8"-27	7/16"-20	16.80	30.23	4.37	9/16"	9/16"	Imperial
DANPF9305-0205IN	1/8"-27	1/2"-20	16.80	30.2	5.94	9/16"	5/8"	Imperial
DANPF9305-0404IN	1/4"-18	7/16"-20	22.40	32	4.37	3/4"	9/16"	Imperial
DANPF9305-0406IN	1/4"-18	9/16"-18	22.40	33.5	7.54	3/4"	11/16"	Imperial
DANPF9305-0408IN	1/4"-18	3/4"-16	22.40	36.83	9.93	3/4"	7/8"	Imperial
DANPF9305-0410IN	1/4"-18	7/8"-14	25.9	43.2	12.29	7/8"	1"	Imperial
DANPF9305-0604IN	3/8"-18	7/16"-20	25.9	32	4.37	7/8"	9/16"	Imperial
DANPF9305-0606IN	3/8"-18	9/16"-18	25.9	35.8	7.54	7/8"	11/16"	Imperial
DANPF9305-0608IN	3/8"-18	3/4"-16	26	39.1	9.93	7/8"	7/8"	Imperial
DANPF9305-0610IN	3/8"-18	7/8"-14	25.9	43.2	12.29	7/8"	1"	Imperial
DANPF9305-0806IN	1/2"-14	9/16"-18	31.2	38	7.54	1-1/16"	11/16"	Imperial
DANPF9305-0808IN	1/2"-14	3/4"-16	31.2	41.1	9.93	1-1/16"	7/8"	Imperial
DANPF9305-0810IN	1/2"-14	7/8"-14	31.2	45.2	12.29	1-1/16"	1"	Imperial
DANPF9305-0812IN	1/2"-14	1-1/16"-12	31.2	49.3	15.47	1-1/16"	1-1/4"	Imperial
DANPF9305-0814IN	1/2"-14	1-3/16"-12	36.1	52.1	18.26	1-5/16"	1-3/8"	Imperial
DANPF9305-1208IN	3/4"-14	3/4"-16	27.94	49.3	9.93	1-5/16"	7/8"	Imperial
DANPF9305-1210IN	3/4"-14	7/8"-14	27.94	48	12.29	1-5/16"	1"	Imperial
DANPF9305-1212IN	3/4"-14	1-1/16"-12	27.94	52.1	15.47	1-5/16"	1-1/4"	Imperial
DANPF9305-1214IN	3/4"-14	1-3/16"-12	36.10	52.1	18.26	1-5/16"	1-3/8"	Imperial
DANPF9305-1216IN	3/4"-14	1-5/16"-12	34.50	52.1	21.44	1-5/16"	1-1/2"	Imperial
DANPF9305-1616IN	1"-11-1/2	1-5/16"-12	41.20	57.2	21.44	1-5/8"	1-1/2"	Imperial
DANPF9305-1620IN	1"-11-1/2	1-5/8"-12	41.15	57.15	27.38	1-5/8"	1-7/8"	Imperial
DANPF9305-2016IN	1-1/4"-11-1/2	1-5/16"-12	43.20	60.71	21.44	1-7/8"	1-1/2"	Imperial
DANPF9305-2020IN	1-1/4"-11-1/2	1-5/8"-12	43.20	60.7	27.38	1-7/8"	1-7/8"	Imperial
DANPF9305-2424IN	1-1/2"-11-1/2	1-7/8"-12	52.80	73.4	33.32	2-9/16"	2-1/8"	Imperial
DANPF9305-3232IN	2"-11-1/2	2-1/2"-12	60.70	77.8	45.24	2-13/16"	2-3/4"	Imperial

## DANPS9305

90° Adjustable Elbow NPSM Swivel Female 60° - SAE Male O Ring

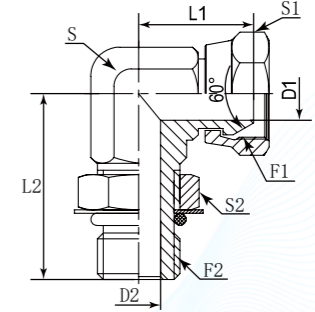
<b>D</b>	<b>A</b>	<b>NPS</b>	<b>9</b>	<b>30</b>	<b>5</b>
Company	Product Range	Thread Types	Adaptor Structure	Thread Types	Connection Type
<b>DME</b>	Adaptor	NPSM	90° Elbow	SAE UNF	Male O Ring

German Technology Equipment

**SHIELD FLEX**

New-Standard

- DME&JDE Code: DANPS9305
- Product Type: Hydraulic Adaptor
- Standard: NPTF
- Structure: 90° Elbow
- Connection Type: Adjustable Swivel Female x Male
- Thread Types: NPSM 60° x SAE UNF
- Sealing Method: O Ring



PART NUMBER	F1 (Thread)	F2 (Thread)	L1	L2	D1	D2	S	S1	S2	Hex
#	NPSM	UNF	mm	mm	mm	mm	-	-	-	-
DANPS9305-0204	1/8"-27	7/16"-20	17.80	26.20	2.79	4.37	11 mm	14 mm	14 mm	Metric
DANPS9305-0204IN	1/8"-27	7/16"-20	17.80	26.20	2.79	4.37	7/16"	9/16"	9/16"	Imperial
DANPS9305-0404	1/4"-18	7/16"-20	20.14	30.20	5.33	4.37	14 mm	19 mm	14 mm	Metric
DANPS9305-0406	1/4"-18	9/16"-18	22.35	31.80	5.33	7.54	14 mm	19 mm	17 mm	Metric
DANPS9305-0408	1/4"-18	3/4"-16	24.63	36.80	5.33	9.93	19 mm	19 mm	22 mm	Metric
DANPS9305-0410	1/4"-18	7/8"-14	26.23	43.20	5.33	12.29	22 mm	19 mm	27 mm	Metric
DANPS9305-0404IN	1/4"-18	7/16"-20	20.14	30.20	5.33	4.37	9/16"	11/16"	9/16"	Imperial
DANPS9305-0406IN	1/4"-18	9/16"-18	22.35	31.80	5.33	7.54	9/16"	11/16"	11/16"	Imperial
DANPS9305-0408IN	1/4"-18	3/4"-16	24.63	36.80	5.33	9.93	3/4"	11/16"	7/8"	Imperial
DANPS9305-0410IN	1/4"-18	7/8"-14	26.23	43.20	5.33	12.29	7/8"	11/16"	1"	Imperial
DANPS9305-0604	3/8"-18	7/16"-20	24.20	32.00	8.13	4.37	19 mm	22 mm	14 mm	Metric
DANPS9305-0606	3/8"-18	9/16"-18	22.86	31.75	8.13	7.54	14 mm	22 mm	17 mm	Metric
DANPS9305-0608	3/8"-18	3/4"-16	25.20	36.80	8.13	9.93	19 mm	22 mm	22 mm	Metric
DANPS9305-0610	3/8"-18	7/8"-14	26.92	43.20	8.13	12.29	22 mm	22 mm	27 mm	Metric
DANPS9305-0612	3/8"-18	1-1/16"-12	32.00	49.30	8.13	15.47	27 mm	22 mm	32 mm	Metric
DANPS9305-0604IN	3/8"-18	7/16"-20	24.20	32.00	8.13	4.37	3/4"	7/8"	9/16"	Imperial
DANPS9305-0606IN	3/8"-18	9/16"-18	22.86	31.75	8.13	7.54	9/16"	7/8"	11/16"	Imperial
DANPS9305-0608IN	3/8"-18	3/4"-16	25.20	36.80	8.13	9.93	3/4"	7/8"	7/8"	Imperial
DANPS9305-0610IN	3/8"-18	7/8"-14	26.92	43.20	8.13	12.29	7/8"	7/8"	1"	Imperial
DANPS9305-0612IN	3/8"-18	1-1/16"-12	32.00	49.30	8.13	15.47	1-1/16"	7/8"	1-1/4"	Imperial





DANPS9305-0804	1/2"-14	7/16"-20	26.50	32.00	11.18	4.37	19 mm	27 mm	14 mm	Metric
DANPS9305-0806	1/2"-14	9/16"-18	26.42	35.81	11.18	7.54	19 mm	27 mm	17 mm	Metric
DANPS9305-0808	1/2"-14	3/4"-16	26.41	36.83	11.18	9.93	19 mm	27 mm	22 mm	Metric
DANPS9305-0810	1/2"-14	7/8"-14	28.19	43.20	11.18	12.29	22 mm	27 mm	27 mm	Metric
DANPS9305-0812	1/2"-14	1-1/16"-12	33.78	49.20	11.18	15.47	27 mm	27 mm	32 mm	Metric
DANPS9305-0804IN	1/2"-14	7/16"-20	26.50	32.00	11.18	4.37	3/4"	1"	9/16"	Imperial
DANPS9305-0806IN	1/2"-14	9/16"-18	26.42	35.81	11.18	7.54	3/4"	1"	11/16"	Imperial
DANPS9305-0808IN	1/2"-14	3/4"-16	26.41	36.83	11.18	9.93	3/4"	1"	7/8"	Imperial
DANPS9305-0810IN	1/2"-14	7/8"-14	28.19	43.20	11.18	12.29	7/8"	1"	1"	Imperial
DANPS9305-0812IN	1/2"-14	1-1/16"-12	33.78	49.20	11.18	15.47	1-1/16"	1"	1-1/4"	Imperial
DANPS9305-1208	3/4"-14	3/4"-16	33.02	41.20	15.49	9.93	27 mm	32 mm	22 mm	Metric
DANPS9305-1210	3/4"-14	7/8"-14	32.50	45.21	15.49	12.29	27 mm	32 mm	27 mm	Metric
DANPS9305-1212	3/4"-14	1-1/16"-12	33.30	49.20	15.49	15.47	27 mm	32 mm	32 mm	Metric
DANPS9305-1214	3/4"-14	1-3/16"-12	35.60	50.80	15.49	18.26	33 mm	32 mm	36 mm	Metric
DANPS9305-1216	3/4"-14	1-5/16"-12	35.50	52.10	15.49	21.44	33 mm	32 mm	41 mm	Metric
DANPS9305-1220	3/4"-14	1-5/8"-12	40.50	57.20	15.49	27.38	41 mm	32 mm	50 mm	Metric
DANPS9305-1208IN	3/4"-14	3/4"-16	33.02	41.20	15.49	9.93	1-1/16"	1-1/4"	7/8"	Imperial
DANPS9305-1210IN	3/4"-14	7/8"-14	32.50	45.21	15.49	12.29	1-1/16"	1-1/4"	1"	Imperial
DANPS9305-1212IN	3/4"-14	1-1/16"-12	33.30	49.20	15.49	15.47	1-1/16"	1-1/4"	1-1/4"	Imperial
DANPS9305-1214IN	3/4"-14	1-3/16"-12	35.60	50.80	15.49	18.26	1-5/16"	1-1/4"	1-3/8"	Imperial
DANPS9305-1216IN	3/4"-14	1-5/16"-12	35.50	52.10	15.49	21.44	1-5/16"	1-1/4"	1-1/2"	Imperial
DANPS9305-1220IN	3/4"-14	1-5/8"-12	40.50	57.20	15.49	27.38	1-5/8"	1-1/4"	1-7/8"	Imperial
DANPS9305-1612	1"-11-1/2	1-1/16"-12	39.12	52.10	19.81	15.47	33 mm	41 mm	32 mm	Metric
DANPS9305-1616	1"-11-1/2	1-5/16"-12	39.12	52.10	19.81	21.44	33 mm	41 mm	41 mm	Metric
DANPS9305-1620	1"-11-1/2	1-5/8"-12	44.50	57.20	19.81	27.38	41 mm	41 mm	50 mm	Metric
DANPS9305-1612IN	1"-11-1/2	1-1/16"-12	39.12	52.10	19.81	15.47	1-5/16"	1-1/2"	1-1/4"	Imperial
DANPS9305-1616IN	1"-11-1/2	1-5/16"-12	39.12	52.10	19.81	21.44	1-5/16"	1-1/2"	1-1/2"	Imperial
DANPS9305-1620IN	1"-11-1/2	1-5/8"-12	44.50	57.20	19.81	27.38	1-5/8"	1-1/2"	1-7/8"	Imperial
DANPS9305-2020	1-1/4"-11-1/2	1-5/8"-12	45.20	57.20	25.65	27.38	41 mm	50 mm	50 mm	Metric
DANPS9305-2020IN	1-1/4"-11-1/2	1-5/8"-12	45.20	57.20	25.65	27.38	1-5/8"	1-7/8"	1-7/8"	Imperial
DANPS9305-2424	1-1/2"-11-1/2	1-7/8"-12	48.01	60.70	31.75	33.32	50 mm	55 mm	55 mm	Metric
DANPS9305-2424IN	1-1/2"-11-1/2	1-7/8"-12	48.01	60.70	31.75	33.32	1-7/8"	2-1/8"	2-1/8"	Imperial
DANPS9305-3232	2"-11-1/2	2-1/2"-12	61.60	73.40	43.69	45.24	60 mm	65 mm	70 mm	Metric
DANPS9305-3232IN	2"-11-1/2	2-1/2"-12	61.60	73.40	43.69	45.24	2-1/2"	2-5/8"	2-3/4"	Imperial



## DANPS906Q

90° Adjustable Elbow NPSM Swivel Female 60° - BSPP Male + O Ring + Retaining Ring

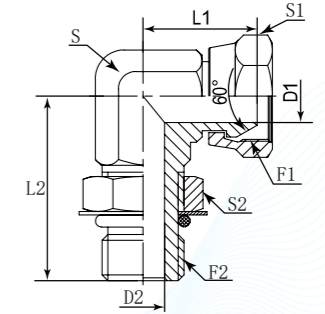
<b>D</b>	<b>A</b>	<b>NPS</b>	<b>9</b>	<b>06</b>	<b>0</b>
Company	Product Range	Thread Types	Adaptor Structure	Thread Types	Connection Type
<b>DME</b>	Adaptor	NPSM	90° Elbow	BSPP	Male + O Ring + Retaining Ring

German Technology Equipment

SHIELD FLEX

New-Standard

- DME&JDE Code: DANPS906Q
- Product Type: Hydraulic Adaptor
- Standard: NPTF
- Structure: 90° Elbow
- Connection Type: Adjustable Swivel Female x Male
- Thread Types: NPSM 60° x BSPP
- Sealing Method: O Ring + Retaining Ring



PART NUMBER	F1 (Thread)	F2 (Thread)	D1	D2	L1	L2	S	S1	S1
#	NPSM	BSPP	mm	mm	mm	mm	mm	mm	mm
DANPS906Q-0202	1/8"-27	1/8"-28	2.79	4.40	17.80	26.00	11.00	14.27	14.00
DANPS906Q-0204	1/8"-27	1/4"-19	2.79	7.50	20.60	31.50	14.00	14.27	19.00
DANPS906Q-0402	1/4"-18	1/8"-28	5.33	4.40	20.14	28.00	14.00	17.48	14.00
DANPS906Q-0404	1/4"-18	1/4"-19	5.33	7.50	20.14	31.50	14.00	17.48	19.00
DANPS906Q-0406	1/4"-18	3/8"-19	5.33	9.90	24.63	36.50	19.00	17.48	22.00
DANPS906Q-0604	3/8"-18	1/4"-19	8.13	7.50	22.86	31.50	14.00	22.23	19.00
DANPS906Q-0606	3/8"-18	3/8"-19	8.13	9.90	25.20	36.50	19.00	22.23	22.00
DANPS906Q-0806	1/2"-14	3/8"-19	11.18	9.90	26.41	36.50	19.00	25.40	22.00
DANPS906Q-0808	1/2"-14	1/2"-14	11.18	12.30	28.19	43.00	22.00	25.40	27.00
DANPS906Q-1208	3/4"-14	1/2"-14	15.49	12.30	32.50	45.50	27.00	31.75	27.00
DANPS906Q-1212	3/4"-14	3/4"-14	15.49	15.50	32.50	49.00	27.00	31.75	36.00
DANPS906Q-1612	1"-11-1/2	3/4"-14	19.81	15.50	39.12	52.00	33.00	38.10	36.00
DANPS906Q-1616	1"-11-1/2	1"-11	19.81	21.50	39.12	52.00	33.00	38.10	41.00
DANPS906Q-2016	1-1/4"-11-1/2	1"-11	25.65	21.50	45.20	57.00	41.00	47.63	41.00
DANPS906Q-2020	1-1/4"-11-1/2	1-1/4"-11	25.65	27.50	45.20	57.00	41.00	47.63	50.00
DANPS906Q-2420	1-1/2"-11-1/2	1-1/4"-11	31.75	27.50	48.00	61.00	48.00	53.98	50.00
DANPS906Q-2424	1-1/2"-11-1/2	1-1/2"-11	31.75	33.00	48.00	61.00	48.00	53.98	55.00
DANPS906Q-3224	2"-11-1/2	1-1/2"-11	43.69	33.00	61.60	75.00	63.50	66.68	55.00
DANPS906Q-3232	2"-11-1/2	2"-11	43.69	45.00	61.60	75.00	63.50	66.68	70.00



# DANPF928F

90° Elbow Connector NPTF Female - NPTF Female

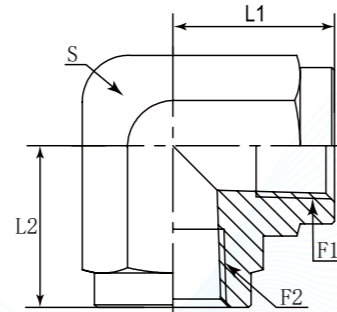
<b>D</b>	<b>A</b>	<b>NP</b>	<b>F</b>	<b>9</b>	<b>28</b>	<b>F</b>
Company	Product Range	Thread Types	Connection Type	Adaptor Structure	Thread Types	Connection Type
<b>DME</b>	Adaptor	NPTF	Female	90° Elbow	NPTF	Female

German Technology Equipment

**SHIELD FLEX**

New-Standard

- DME&JDE Code: **DANPF928F**
- Product Type: **Hydraulic Adaptor**
- Standard: **NPTF**
- Structure: **90° Elbow**
- Connection Type: **Female x Female**
- Thread Types: **NPTF x NPTF**



PART NUMBER	F1 (Thread)	F2 (Thread)	L1	L2	S	Hex
#	NPTF	NPTF	mm	mm	-	-
DANPF928F-0202	1/8"-27	1/8"-27	16.80	16.80	14 mm	Metric
DANPF928F-0202IN	1/8"-27	1/8"-27	16.80	16.80	9/16"	Imperial
DANPF928F-0402	1/4"-18	1/8"-27	22.40	22.40	19 mm	Metric
DANPF928F-0404	1/4"-18	1/4"-18	22.40	22.40	19 mm	Metric
DANPF928F-0402IN	1/4"-18	1/8"-27	22.40	22.40	3/4"	Imperial
DANPF928F-0404IN	1/4"-18	1/4"-18	22.40	22.40	3/4"	Imperial
DANPF928F-0604	3/8"-18	1/4"-18	25.90	25.90	22 mm	Metric
DANPF928F-0606	3/8"-18	3/8"-18	25.90	25.90	22 mm	Metric
DANPF928F-0604IN	3/8"-18	1/4"-18	25.90	25.90	7/8"	Imperial
DANPF928F-0606IN	3/8"-18	3/8"-18	25.90	25.90	7/8"	Imperial
DANPF928F-0804	1/2"-14	1/4"-18	31.20	31.20	27 mm	Metric
DANPF928F-0806	1/2"-14	3/8"-18	31.20	25.70	27 mm	Metric
DANPF928F-0808	1/2"-14	1/2"-14	31.20	31.20	27 mm	Metric
DANPF928F-0804IN	1/2"-14	1/4"-18	31.20	31.20	1-1/16"	Imperial
DANPF928F-0806IN	1/2"-14	3/8"-18	31.20	25.70	1-1/16"	Imperial
DANPF928F-0808IN	1/2"-14	1/2"-14	31.20	31.20	1-1/16"	Imperial
DANPF928F-1206	3/4"-14	3/8"-18	34.50	34.20	33 mm	Metric
DANPF928F-1208	3/4"-14	1/2"-14	34.50	34.30	33 mm	Metric
DANPF928F-1212	3/4"-14	3/4"-14	34.50	34.50	33 mm	Metric
DANPF928F-1206IN	3/4"-14	3/8"-18	34.50	34.20	1-5/16"	Imperial
DANPF928F-1208IN	3/4"-14	1/2"-14	34.50	34.30	1-5/16"	Imperial
DANPF928F-1212IN	3/4"-14	3/4"-14	34.50	34.50	1-5/16"	Imperial
DANPF928F-1608	1"-11-1/2	1/2"-14	41.20	41.20	41 mm	Metric
DANPF928F-1612	1"-11-1/2	3/4"-14	41.20	41.20	41 mm	Metric
DANPF928F-1616	1"-11-1/2	1"-11-1/2	41.20	41.20	41 mm	Metric
DANPF928F-1608IN	1"-11-1/2	1/2"-14	41.20	41.20	1-5/8"	Imperial
DANPF928F-1612IN	1"-11-1/2	3/4"-14	41.20	41.20	1-5/8"	Imperial
DANPF928F-1616IN	1"-11-1/2	1"-11-1/2	41.20	41.20	1-5/8"	Imperial
DANPF928F-2012	1-1/4"-11-1/2	3/4"-14	43.20	38.50	50 mm	Metric
DANPF928F-2016	1-1/4"-11-1/2	1"-11-1/2	43.20	43.20	50 mm	Metric
DANPF928F-2020	1-1/4"-11-1/2	1-1/4"-11-1/2	43.20	43.20	50 mm	Metric
DANPF928F-2012IN	1-1/4"-11-1/2	3/4"-14	43.20	38.50	1-7/8"	Imperial
DANPF928F-2016IN	1-1/4"-11-1/2	1"-11-1/2	43.20	43.20	1-7/8"	Imperial
DANPF928F-2020IN	1-1/4"-11-1/2	1-1/4"-11-1/2	43.20	43.20	1-7/8"	Imperial
DANPF928F-2420	1-1/2"-11-1/2	1-1/4"-11-1/2	52.80	52.50	65 mm	Metric
DANPF928F-2424	1-1/2"-11-1/2	1-1/2"-11-1/2	52.80	52.80	65 mm	Metric
DANPF928F-2420IN	1-1/2"-11-1/2	1-1/4"-11-1/2	52.80	52.50	2-9/16"	Imperial
DANPF928F-2424IN	1-1/2"-11-1/2	1-1/2"-11-1/2	52.80	52.80	2-9/16"	Imperial
DANPF928F-3232	2"-11-1/2	2"-11-1/2	60.70	60.70	70 mm	Metric
DANPF928F-3232IN	2"-11-1/2	2"-11-1/2	60.70	60.70	2-13/16"	Imperial

Certificate:



# DANPF9251

90° Elbow Connector NPTF Female - JIC Swivel Female 74°

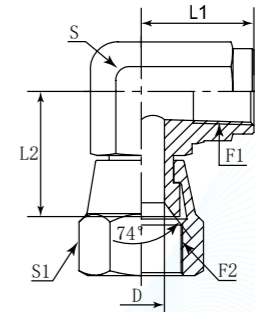
<b>D</b>	<b>A</b>	<b>NP</b>	<b>F</b>	<b>9</b>	<b>251</b>
Company	Product Range	Thread Types	Connection Type	Adaptor Structure	Connection Type
<b>DME</b>	Adaptor	NPTF	Female	90° Elbow	JIC UNF Swivel Female

German Technology Equipment

**SHIELD FLEX**

New-Standard

- DME&JDE Code: **DANPF9251**
- Product Type: **Hydraulic Adaptor**
- Standard: **NPTF**
- Structure: **90° Elbow**
- Connection Type: **Female x Swivel Female**
- Thread Types: **NPTF x JIC UNF 74°**



PART NUMBER	F1 (Thread)	F2 (Thread)	D	L1	L2	S	S1	Hex
#	NPTF	UNF	mm	mm	mm	-	-	-
DANPF9251-0204	1/8"-27	7/16"-20	4.37	16.80	20.20	14 mm	14 mm	Metric
DANPF9251-0204IN	1/8"-27	7/16"-20	4.37	16.80	20.20	9/16"	9/16"	Imperial
DANPF9251-0402	1/4"-18	5/16"-24	1.57	22.35	21.53	19 mm	12 mm	Metric
DANPF9251-0404	1/4"-18	7/16"-20	4.37	22.40	21.50	19 mm	14 mm	Metric
DANPF9251-0406	1/4"-18	9/16"-18	7.54	22.40	22.22	19 mm	19 mm	Metric
DANPF9251-0402IN	1/4"-18	5/16"-24	1.57	22.35	21.53	3/4"	1/2"	Imperial
DANPF9251-0404IN	1/4"-18	7/16"-20	4.37	22.40	21.50	3/4"	9/16"	Imperial
DANPF9251-0406IN	1/4"-18	9/16"-18	7.54	22.40	22.22	3/4"	5/8"	Imperial
DANPF9251-0604	3/8"-18	7/16"-20	4.37	25.90	23.50	22 mm	14 mm	Metric
DANPF9251-0606	3/8"-18	9/16"-18	7.54	25.90	25.40	22 mm	19 mm	Metric
DANPF9251-0608	3/8"-18	3/4"-16	9.93	25.90	27.60	22 mm	22 mm	Metric
DANPF9251-0604IN	3/8"-18	7/16"-20	4.37	25.90	23.50	7/8"	9/16"	Imperial
DANPF9251-0606IN	3/8"-18	9/16"-18	7.54	25.90	25.40	7/8"	5/8"	Imperial
DANPF9251-0608IN	3/8"-18	3/4"-16	9.93	25.90	27.60	7/8"	7/8"	Imperial
DANPF9251-0806	1/2"-14	9/16"-18	7.54	31.20	27.10	27 mm	19 mm	Metric
DANPF9251-0808	1/2"-14	3/4"-16	9.93	31.20	28.41	27 mm	22 mm	Metric
DANPF9251-0810	1/2"-14	7/8"-14	12.29	31.24	28.45	27 mm	27 mm	Metric
DANPF9251-0806IN	1/2"-14	9/16"-18	7.54	31.20	27.10	1-1/8"	5/8"	Imperial
DANPF9251-0808IN	1/2"-14	3/4"-16	9.93	31.20	28.41	1-1/8"	7/8"	Imperial
DANPF9251-0810IN	1/2"-14	7/8"-14	12.29	31.24	28.45	1-1/8"	1"	Imperial
DANPF9251-1212	3/4"-14	1-1/16"-12	15.47	34.50	32.97	33 mm	32 mm	Metric
DANPF9251-1212IN	3/4"-14	1-1/16"-12	15.47	34.50	32.97	1-5/16"	1-1/4"	Imperial
DANPF9251-1616	1"-11-1/2	1-5/16"-12	21.44	41.20	42.00	41 mm	41 mm	Metric
DANPF9251-1616IN	1"-11-1/2	1-5/16"-12	21.44	41.20	42.00	1-1/2"	1-1/2"	Imperial
DANPF9251-2020	1-1/4"-11-1/2	1-5/8"-12	27.38	43.20	45.69	48 mm	50 mm	Metric
DANPF9251-2020IN	1-1/4"-11-1/2	1-5/8"-12	27.38	43.20	45.69	1-7/8"	2"	Imperial

Certificate:



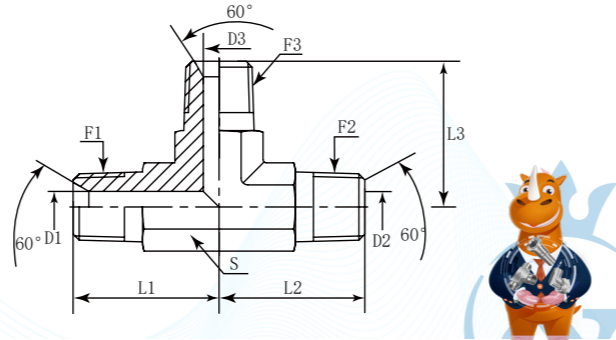
## DANPMT28M

Branch Tee Connector NPTF Male 60° – NPTF Male 60°

<b>D</b>	<b>A</b>	<b>NP</b>	<b>M</b>	<b>T</b>	<b>28</b>	<b>M</b>
Company	Product Range	Thread Types	Connection Type	Adaptor Structure	Thread Types	Connection Type
<b>DME</b>	Adaptor	NPTF	Male	Branch Tee	NPTF	Male



- DME&JDE Code:** DANPMT28M
- Product Type:** Hydraulic Adaptor
- Standard:** NPTF
- Structure:** Branch Tee
- Connection Type:** Male x Male x Male
- Thread Types:** NPTF 60° x NPTF 60° x NPTF 60°



PART NUMBER	F1 (Thread)	F2 (Thread)	F3 (Thread)	L1	L2	L3	D1	D2	D3	S	Hex
#	NPTF	NPTF	NPTF	mm	mm	mm	mm	mm	mm	-	-
DANPMT28M-0202	1/8"-27	1/8"-27	1/8"-27	19.80	19.80	19.80	4.78	4.78	4.78	11 mm	Metric
DANPMT28M-0202IN	1/8"-27	1/8"-27	1/8"-27	19.80	19.80	19.80	4.78	4.78	4.78	7/16"	Imperial
DANPMT28M-0404	1/4"-18	1/4"-18	1/4"-18	27.70	27.70	27.70	7.14	7.14	7.14	14 mm	Metric
DANPMT28M-0404IN	1/4"-18	1/4"-18	1/4"-18	27.70	27.70	27.70	7.14	7.14	7.14	9/16"	Imperial
DANPMT28M-0606	3/8"-18	3/8"-18	3/8"-18	31.00	31.00	31.00	10.31	10.31	10.31	19 mm	Metric
DANPMT28M-0606IN	3/8"-18	3/8"-18	3/8"-18	31.00	31.00	31.00	10.31	10.31	10.31	3/4"	Imperial
DANPMT28M-0808	1/2"-14	1/2"-14	1/2"-14	37.30	37.30	37.30	13.49	13.49	13.49	22 mm	Metric
DANPMT28M-0808IN	1/2"-14	1/2"-14	1/2"-14	37.30	37.30	37.30	13.49	13.49	13.49	7/8"	Imperial
DANPMT28M-1212	3/4"-14	3/4"-14	3/4"-14	40.40	40.40	40.40	18.26	18.26	18.26	27 mm	Metric
DANPMT28M-1212IN	3/4"-14	3/4"-14	3/4"-14	40.40	40.40	40.40	18.26	18.26	18.26	1-1/16"	Imperial
DANPMT28M-1616	1"-11-1/2	1"-11-1/2	1"-11-1/2	50.00	50.00	50.00	23.83	23.83	23.83	33 mm	Metric
DANPMT28M-1616IN	1"-11-1/2	1"-11-1/2	1"-11-1/2	50.00	50.00	50.00	23.83	23.83	23.83	1-5/16"	Imperial
DANPMT28M-2020	1-1/4"-11-1/2	1-1/4"-11-1/2	1-1/4"-11-1/2	60.50	60.50	60.50	31.75	31.75	31.75	41 mm	Metric
DANPMT28M-2020IN	1-1/4"-11-1/2	1-1/4"-11-1/2	1-1/4"-11-1/2	60.50	60.50	60.50	31.75	31.75	31.75	1-5/8"	Imperial
DANPMT28M-2424	1-1/2"-11-1/2	1-1/2"-11-1/2	1-1/2"-11-1/2	67.10	67.10	67.10	38.10	38.10	38.10	50 mm	Metric
DANPMT28M-2424IN	1-1/2"-11-1/2	1-1/2"-11-1/2	1-1/2"-11-1/2	67.10	67.10	67.10	38.10	38.10	38.10	1-7/8"	Imperial
DANPMT28M-3232	2"-11-1/2	2"-11-1/2	2"-11-1/2	76.10	76.10	76.10	49.23	49.23	49.23	60 mm	Metric
DANPMT28M-3232IN	2"-11-1/2	2"-11-1/2	2"-11-1/2	76.10	76.10	76.10	49.23	49.23	49.23	2-1/2"	Imperial

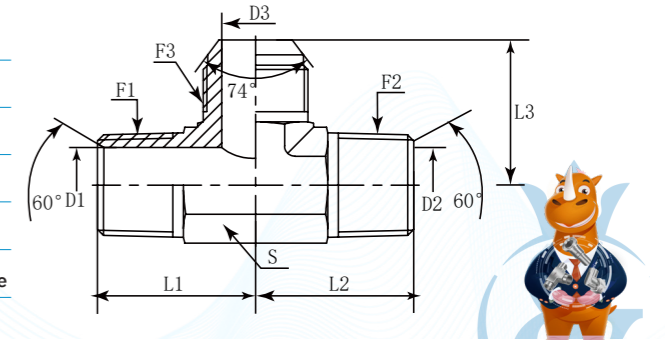
## DANPMT25M

Branch Tee Connector NPTF Male 60° - JIC Male 74°

<b>D</b>	<b>A</b>	<b>NP</b>	<b>M</b>	<b>T</b>	<b>25</b>	<b>M</b>
Company	Product Range	Thread Types	Connection Type	Adaptor Structure	Thread Types	Connection Type
<b>DME</b>	Adaptor	NPTF	Male	Branch Tee	JIC UNF	Male



- DME&JDE Code:** DANPMT25M
- Product Type:** Hydraulic Adaptor
- Standard:** NPTF
- Structure:** Branch Tee
- Connection Type:** Male x Male
- Thread Types:** NPTF 60° Cone x NPTF 60° Cone x JIC UNF 74° Cone



PART NUMBER	F1 (Thread)	F2 (Thread)	F3 (Thread)	D1	D2	D3	L1	L2	L3	S	Hex
#	NPTF	NPTF	UNF	mm	mm	mm	mm	mm	mm	-	-
DANPMT25M-0404	1/4"-18	1/4"-18	7/16"-20	7.14	7.14	4.37	27.70	27.70	26.70	14 mm	Metric
DANPMT25M-0406	1/4"-18	1/4"-18	9/16"-20	7.14	7.14	7.54	27.70	27.70	26.90	14 mm	Metric
DANPMT25M-0404IN	1/4"-18	1/4"-18	7/16"-20	7.14	7.14	4.37	27.70	27.70	26.70	9/16"	Imperial
DANPMT25M-0406IN	1/4"-18	1/4"-18	9/16"-20	7.14	7.14	7.54	27.70	27.70	26.90	9/16"	Imperial
DANPMT25M-0606	3/8"-18	3/8"-18	9/16"-18	10.31	10.31	7.54	31.00	31.00	28.96	19 mm	Metric
DANPMT25M-0606IN	3/8"-18	3/8"-18	9/16"-18	10.31	10.31	7.54	31.00	31.00	28.96	3/4"	Imperial
DANPMT25M-0808	1/2"-14	1/2"-14	3/4"-16	13.49	13.49	9.93	37.34	37.34	33.80	22 mm	Metric
DANPMT25M-0810	1/2"-14	1/2"-14	7/8"-14	12.00	12.00	13.69	37.34	37.34	36.80	22 mm	Metric
DANPMT25M-0808IN	1/2"-14	1/2"-14	3/4"-16	13.49	13.49	9.93	37.34	37.34	33.80	7/8"	Imperial
DANPMT25M-0810IN	1/2"-14	1/2"-14	7/8"-14	12.00	12.00	13.69	37.34	37.34	36.80	7/8"	Imperial
DANPMT25M-1212	3/4"-14	3/4"-14	1-1/16"-12	18.26	18.26	15.47	40.40	40.40	42.20	27 mm	Metric
DANPMT25M-1216	3/4"-14	3/4"-14	1-5/16"-12	18.26	18.26	21.44	45.20	45.20	46.00	33 mm	Metric
DANPMT25M-1212IN	3/4"-14	3/4"-14	1-1/16"-12	18.26	18.26	15.47	40.40	40.40	42.20	1-1/8"	Imperial
DANPMT25M-1216IN	3/4"-14	3/4"-14	1-5/16"-12	18.26	18.26	21.44	45.20	45.20	46.00	1-5/16"	Imperial
DANPMT25M-1616	1"-11-1/2	1"-11-1/2	1-5/16"-12	23.83	23.83	21.44	50.00	50.00	46.00	33 mm	Metric
DANPMT25M-1616IN	1"-11-1/2	1"-11-1/2	1-5/16"-12	23.83	23.83	21.44	50.00	50.00	46.00	1-5/16"	Imperial



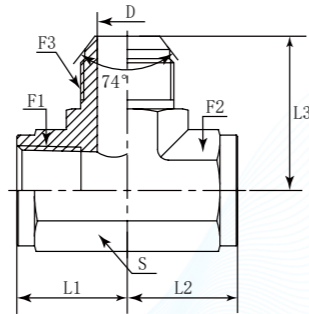
## DANPFT25M

Branch Tee Connector NPTF Female - JIC Male 74°

<b>D</b>	<b>A</b>	<b>NP</b>	<b>F</b>	<b>T</b>	<b>25</b>	<b>M</b>
Company	Product Range	Thread Types	Connection Type	Adaptor Structure	Thread Types	Connection Type
<b>DME</b>	Adaptor	NPTF	Female	Branch Tee	JIC	Male



- DME&JDE Code: **DANPFT25M**
- Product Type: **Hydraulic Adaptor**
- Standard: **NPTF**
- Structure: **Branch Tee**
- Connection Type: **Female x Female x Male**
- Thread Types: **NPTF x NPTF x UNF 74° Cone**



PART NUMBER	F1 (Thread)	F2 (Thread)	F3 (Thread)	D	L1	L2	L3	S	Hex
#	NPTF	NPTF	UNF	mm	mm	mm	mm	-	-
DANPFT25M-0204	1/8"-27	1/8"-27	7/16"-20	4.37	16.80	16.80	27.40	14 mm	Metric
DANPFT25M-0204IN	1/8"-27	1/8"-27	7/16"-20	4.37	16.80	16.80	27.40	9/16"	Imperial
DANPFT25M-0406	1/4"-18	1/4"-18	9/16"-18	7.54	22.40	22.40	31.20	19 mm	Metric
DANPFT25M-0406IN	1/4"-18	1/4"-18	9/16"-18	7.54	22.40	22.40	31.20	3/4"	Imperial
DANPFT25M-0608	3/8"-18	3/8"-18	3/4"-16	9.93	25.90	25.90	36.10	22 mm	Metric
DANPFT25M-0608IN	3/8"-18	3/8"-18	3/4"-16	9.93	25.90	25.90	36.10	7/8"	Imperial
DANPFT25M-0808	1/2"-14	1/2"-14	3/4"-16	9.93	31.20	31.20	38.60	27 mm	Metric
DANPFT25M-0810	1/2"-14	1/2"-14	7/8"-14	12.29	31.20	31.20	41.70	27 mm	Metric
DANPFT25M-0808IN	1/2"-14	1/2"-14	3/4"-16	9.93	31.20	31.20	38.60	1-1/8"	Imperial
DANPFT25M-0810IN	1/2"-14	1/2"-14	7/8"-14	12.29	31.20	31.20	41.70	1-1/8"	Imperial
DANPFT25M-1212	3/4"-14	3/4"-14	1-1/16"-12	15.47	34.50	34.50	48.00	33 mm	Metric
DANPFT25M-1212IN	3/4"-14	3/4"-14	1-1/16"-12	15.47	34.50	34.50	48.00	1-5/16"	Imperial
DANPFT25M-1616	1"-11-1/2	1"-11-1/2	1-5/16"-12	21.44	41.15	41.15	55.12	41 mm	Metric
DANPFT25M-1616IN	1"-11-1/2	1"-11-1/2	1-5/16"-12	21.44	41.15	41.15	55.12	1-1/2"	Imperial

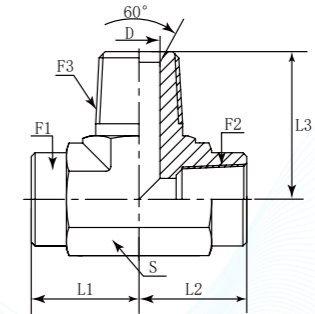
## DANPFT28M

Branch Tee Connector NPTF Female - NPTF Male 60°

<b>D</b>	<b>A</b>	<b>NP</b>	<b>F</b>	<b>T</b>	<b>28</b>	<b>M</b>
Company	Product Range	Thread Types	Connection Type	Adaptor Structure	Thread Types	Connection Type
<b>DME</b>	Adaptor	NPTF	Female	Branch Tee	NPTF	Male



- DME&JDE Code: **DANPFT28M**
- Product Type: **Hydraulic Adaptor**
- Standard: **NPTF**
- Structure: **Branch Tee**
- Connection Type: **Female x Female x Male**
- Thread Types: **NPTF x NPTF x NPTF**



PART NUMBER	F1 (Thread)	F2 (Thread)	F3 (Thread)	L1	L2	L3	D	S	Hex
#	NPTF	NPTF	NPTF	mm	mm	mm	mm	-	-
DANPFT28M-0202	1/8"-27	1/8"-27	1/8"-27	16.80	16.80	19.80	4.78	14 mm	Metric
DANPFT28M-0202IN	1/8"-27	1/8"-27	1/8"-27	16.80	16.80	19.80	4.78	9/16"	Imperial
DANPFT28M-0402	1/4"-18	1/4"-18	1/8"-27	27.70	27.70	17.00	7.14	19 mm	Metric
DANPFT28M-0404	1/4"-18	1/4"-18	1/4"-18	22.40	22.40	27.70	7.14	19 mm	Metric
DANPFT28M-0402IN	1/4"-18	1/4"-18	1/8"-27	27.70	27.70	17.00	7.14	3/4"	Imperial
DANPFT28M-0404IN	1/4"-18	1/4"-18	1/4"-18	22.40	22.40	27.70	7.14	3/4"	Imperial
DANPFT28M-0606	3/8"-18	3/8"-18	3/8"-18	25.90	25.90	31.00	10.31	22 mm	Metric
DANPFT28M-0606IN	3/8"-18	3/8"-18	3/8"-18	25.90	25.90	31.00	10.31	7/8"	Imperial
DANPFT28M-0808	1/2"-14	1/2"-14	1/2"-14	31.20	31.20	37.30	13.49	27 mm	Metric
DANPFT28M-0808IN	1/2"-14	1/2"-14	1/2"-14	31.20	31.20	37.30	13.49	1-1/16"	Imperial
DANPFT28M-1208	3/4"-14	3/4"-14	1/2"-14	40.40	40.40	31.20	18.26	27 mm	Metric
DANPFT28M-1212	3/4"-14	3/4"-14	3/4"-14	34.50	34.50	40.30	18.26	33 mm	Metric
DANPFT28M-1208IN	3/4"-14	3/4"-14	1/2"-14	40.40	40.40	31.20	18.26	1-1/16"	Imperial
DANPFT28M-1212IN	3/4"-14	3/4"-14	3/4"-14	34.50	34.50	40.30	18.26	1-5/16"	Imperial
DANPFT28M-1616	1"-11-1/2	1"-11-1/2	1"-11-1/2	41.20	41.20	50.00	23.83	41 mm	Metric
DANPFT28M-1616IN	1"-11-1/2	1"-11-1/2	1"-11-1/2	41.20	41.20	50.00	23.83	1-5/8"	Imperial
DANPFT28M-2020	1-1/4"-11-1/2	1-1/4"-11-1/2	1-1/4"-11-1/2	43.20	43.20	60.50	31.75	50 mm	Metric
DANPFT28M-2020IN	1-1/4"-11-1/2	1-1/4"-11-1/2	1-1/4"-11-1/2	43.20	43.20	60.50	31.75	1-7/8"	Imperial
DANPFT28M-2424	1-1/2"-11-1/2	1-1/2"-11-1/2	1-1/2"-11-1/2	52.80	52.80	67.10	38.10	65 mm	Metric
DANPFT28M-2424IN	1-1/2"-11-1/2	1-1/2"-11-1/2	1-1/2"-11-1/2	52.80	52.80	67.10	38.10	2-9/16"	Imperial
DANPFT28M-3232	2"-11-1/2	2"-11-1/2	2"-11-1/2	60.70	60.70	76.20	49.23	70 mm	Metric
DANPFT28M-3232IN	2"-11-1/2	2"-11-1/2	2"-11-1/2	60.70	60.70	76.20	49.23	2-13/16"	Imperial

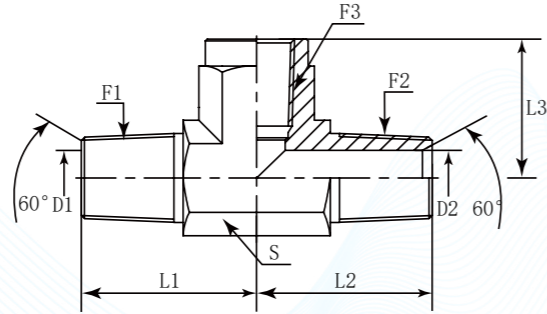
## DANPMT28F

(1) Branch Tee Connector NPTF Male 60° – NPTF Female

<b>D</b>	<b>A</b>	<b>NP</b>	<b>M</b>	<b>T</b>	<b>28</b>	<b>F</b>
Company	Product Range	Thread Types	Connection Type	Adaptor Structure	Thread Types	Connection Type
<b>DME</b>	Adaptor	NPTF	Male	Branch Tee	Female	Female



DME&JDE Code:	DANPMT28F
Product Type	Hydraulic Adaptor
Standard:	NPTF
Structure:	Branch Tee
Connection Type:	Male x Male x Female
Thread Types:	NPTF x NPTF x NPTF



PART NUMBER	F1 (Thread)	F2 (Thread)	F3 (Thread)	L1	L2	L3	D1	D2	S	Hex
#	NPTF	NPTF	NPTF	mm	mm	mm	mm	mm	-	-
DANPMT28F-0202	1/8"-27	1/8"-27	1/8"-27	19.80	19.80	16.80	4.78	4.78	14 mm	Metric
DANPMT28F-0202IN	1/8"-27	1/8"-27	1/8"-27	19.80	19.80	16.80	4.78	4.78	9/16"	Imperial
DANPMT28F-0404	1/4"-18	1/4"-18	1/4"-18	27.70	27.70	22.40	7.14	7.14	19 mm	Metric
DANPMT28F-0404IN	1/4"-18	1/4"-18	1/4"-18	27.70	27.70	22.40	7.14	7.14	3/4"	Imperial
DANPMT28F-0606	3/8"-18	3/8"-18	3/8"-18	31.00	31.00	25.90	10.31	10.31	22 mm	Metric
DANPMT28F-0606IN	3/8"-18	3/8"-18	3/8"-18	31.00	31.00	25.90	10.31	10.31	7/8"	Imperial
DANPMT28F-0808	1/2"-14	1/2"-14	1/2"-14	37.30	37.30	31.20	13.49	13.49	27 mm	Metric
DANPMT28F-0808IN	1/2"-14	1/2"-14	1/2"-14	37.30	37.30	31.20	13.49	13.49	1-1/16"	Imperial
DANPMT28F-1212	3/4"-14	3/4"-14	3/4"-14	40.40	40.40	34.50	18.26	18.26	33 mm	Metric
DANPMT28F-1212IN	3/4"-14	3/4"-14	3/4"-14	40.40	40.40	34.50	18.26	18.26	1-5/16"	Imperial
DANPMT28F-1616	1"-11-1/2	1"-11-1/2	1"-11-1/2	50.00	50.00	41.20	23.83	23.83	41 mm	Metric
DANPMT28F-1616IN	1"-11-1/2	1"-11-1/2	1"-11-1/2	50.00	50.00	41.20	23.83	23.83	1-5/8"	Imperial
DANPMT28F-2020	1-1/4"-11-1/2	1-1/4"-11-1/2	1-1/4"-11-1/2	60.50	60.50	43.20	31.75	31.75	50 mm	Metric
DANPMT28F-2020IN	1-1/4"-11-1/2	1-1/4"-11-1/2	1-1/4"-11-1/2	60.50	60.50	43.20	31.75	31.75	1-7/8"	Imperial
DANPMT28F-2424	1-1/2"-11-1/2	1-1/2"-11-1/2	1-1/2"-11-1/2	67.10	67.10	52.80	38.10	38.10	65 mm	Metric
DANPMT28F-2424IN	1-1/2"-11-1/2	1-1/2"-11-1/2	1-1/2"-11-1/2	67.10	67.10	52.80	38.10	38.10	2-9/16"	Imperial

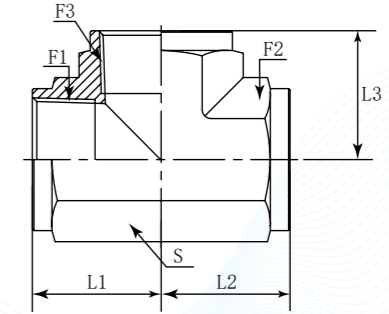
## DANPFT28F

Branch Tee Connector NPTF Female - NPTF Female

<b>D</b>	<b>A</b>	<b>NP</b>	<b>F</b>	<b>T</b>	<b>28</b>	<b>F</b>
Company	Product Range	Thread Types	Connection Type	Adaptor Structure	Thread Types	Connection Type
<b>DME</b>	Adaptor	NPTF	Female	Branch Tee	NPTF	Female



DME&JDE Code:	DANPFT28F
Product Type	Hydraulic Adaptor
Standard:	NPTF
Structure:	Branch Tee
Connection Type:	Female x Female x Female
Thread Types:	NPTF x NPTF x NPTF



PART NUMBER	F1 (Thread)	F2 (Thread)	F3 (Thread)	L1	L2	L3	S	Hex
#	NPTF	NPTF	NPTF	mm	mm	mm	-	-
DANPFT28F-0202	1/8"-27	1/8"-27	1/8"-27	16.80	16.80	16.80	14 mm	Metric
DANPFT28F-0202IN	1/8"-27	1/8"-27	1/8"-27	16.80	16.80	16.80	9/16"	Imperial
DANPFT28F-0402	1/4"-18	1/4"-18	1/8"-27	22.35	22.35	22.35	19 mm	Metric
DANPFT28F-0404	1/4"-18	1/4"-18	1/4"-18	22.35	22.35	22.35	19 mm	Metric
DANPFT28F-0402IN	1/4"-18	1/4"-18	1/8"-27	22.35	22.35	22.35	3/4"	Imperial
DANPFT28F-0404IN	1/4"-18	1/4"-18	1/4"-18	22.35	22.35	22.35	3/4"	Imperial
DANPFT28F-0606	3/8"-18	3/8"-18	3/8"-18	25.91	25.91	25.91	22 mm	Metric
DANPFT28F-0606IN	3/8"-18	3/8"-18	3/8"-18	25.91	25.91	25.91	7/8"	Imperial
DANPFT28F-0808	1/2"-14	1/2"-14	1/2"-14	31.24	31.24	31.24	27 mm	Metric
DANPFT28F-0808IN	1/2"-14	1/2"-14	1/2"-14	31.24	31.24	31.24	1-1/16"	Imperial
DANPFT28F-1212	3/4"-14	3/4"-14	3/4"-14	34.54	34.54	34.54	33 mm	Metric
DANPFT28F-1212IN	3/4"-14	3/4"-14	3/4"-14	34.54	34.54	34.54	1-5/16"	Imperial
DANPFT28F-1616	1"-11-1/2	1"-11-1/2	1"-11-1/2	41.20	41.20	41.20	41 mm	Metric
DANPFT28F-1616IN	1"-11-1/2	1"-11-1/2	1"-11-1/2	41.20	41.20	41.20	1-5/8"	Imperial
DANPFT28F-2020	1-1/4"-11-1/2	1-1/4"-11-1/2	1-1/4"-11-1/2	43.20	43.20	43.20	50 mm	Metric
DANPFT28F-2020IN	1-1/4"-11-1/2	1-1/4"-11-1/2	1-1/4"-11-1/2	43.20	43.20	43.20	1-7/8"	Imperial
DANPFT28F-2424	1-1/2"-11-1/2	1-1/2"-11-1/2	1-1/2"-11-1/2	52.80	52.80	52.80	65 mm	Metric
DANPFT28F-2424IN	1-1/2"-11-1/2	1-1/2"-11-1/2	1-1/2"-11-1/2	52.80	52.80	52.80	2-9/16"	Imperial
DANPFT28F-3232	2"-11-1/2	2"-11-1/2	2"-11-1/2	60.70	60.70	60.70	70 mm	Metric
DANPFT28F-3232IN	2"-11-1/2	2"-11-1/2	2"-11-1/2	60.70	60.70	60.70	2-13/16"	Imperial



## DANPST091

Branch Tee Connector NPSM Swivel Female 60° – NPSM Swivel Female 60°

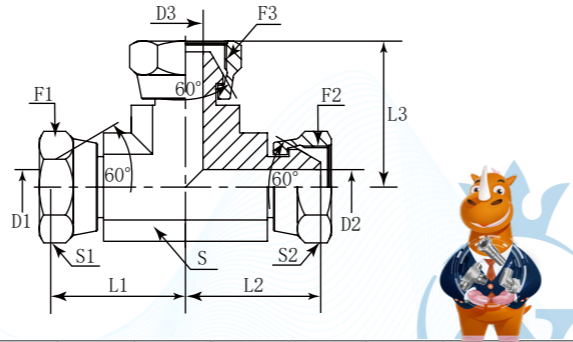
<b>D</b>	<b>A</b>	<b>NPS</b>	<b>T</b>	<b>091</b>
Company	Product Range	Thread Types	Adaptor Structure	Connection Type
<b>DME</b>	Adaptor	NPSM	Branch Tee	NPSM Swivel Female

German Technology Equipment

**SHIELD FLEX**

New-Standard

- DME&JDE Code: **DANPST091**
- Product Type: **Hydraulic Adaptor**
- Standard: **NPTF**
- Structure: **Branch Tee**
- Connection Type: **Swivel Female x Swivel Female x Swivel Female**
- Thread Types: **NPSM x NPSM x NPSM**



PART NUMBER	F1 (Thread)	F2 (Thread)	F3 (Thread)	L1	L2	L3	D1	D2	D3	S	S1	S2	S3	Hex
#	NPSM	NPSM	NPSM	mm	mm	mm	mm	mm	mm	-	-	-	-	-
DANPST091-0202	1/8"-27	1/8"-27	1/8"-27	17.78	17.78	17.78	2.79	2.79	2.79	11 mm	14 mm	14 mm	14 mm	Metric
DANPST091-0202IN	1/8"-27	1/8"-27	1/8"-27	17.78	17.78	17.78	2.79	2.79	2.79	7/16"	9/16"	9/16"	9/16"	Imperial
DANPST091-0404	1/4"-18	1/4"-18	1/4"-18	22.35	22.35	22.35	5.33	5.33	5.33	14 mm	19 mm	19 mm	19 mm	Metric
DANPST091-0404IN	1/4"-18	1/4"-18	1/4"-18	22.35	22.35	22.35	5.33	5.33	5.33	9/16"	11/16"	11/16"	11/16"	Imperial
DANPST091-0606	3/8"-18	3/8"-18	3/8"-18	25.15	25.15	25.15	8.13	8.13	8.13	19 mm	22 mm	22 mm	22 mm	Metric
DANPST091-0606IN	3/8"-18	3/8"-18	3/8"-18	25.15	25.15	25.15	8.13	8.13	8.13	3/4"	7/8"	7/8"	7/8"	Imperial
DANPST091-0808	1/2"-14	1/2"-14	1/2"-14	28.20	28.20	28.20	11.18	11.18	11.18	22 mm	27 mm	27 mm	27 mm	Metric
DANPST091-0808IN	1/2"-14	1/2"-14	1/2"-14	28.20	28.20	28.20	11.18	11.18	11.18	7/8"	1"	1"	1"	Imperial
DANPST091-1212	3/4"-14	3/4"-14	3/4"-14	33.02	33.02	33.02	15.49	15.49	15.49	27 mm	32 mm	32 mm	32 mm	Metric
DANPST091-1212IN	3/4"-14	3/4"-14	3/4"-14	33.02	33.02	33.02	15.49	15.49	15.49	1-1/16"	1-1/4"	1-1/4"	1-1/4"	Imperial
DANPST091-1616	1"-11-1/2	1"-11-1/2	1"-11-1/2	38.60	38.60	38.60	19.81	19.81	19.81	33 mm	41 mm	41 mm	41 mm	Metric
DANPST091-1616IN	1"-11-1/2	1"-11-1/2	1"-11-1/2	38.60	38.60	38.60	19.81	19.81	19.81	1-5/16"	1-1/2"	1-1/2"	1-1/2"	Imperial
DANPST091-2020	1-1/4"-11-1/2	1-1/4"-11-1/2	1-1/4"-11-1/2	46.00	46.00	46.00	25.65	25.65	25.65	41 mm	50 mm	50 mm	50 mm	Metric
DANPST091-2020IN	1-1/4"-11-1/2	1-1/4"-11-1/2	1-1/4"-11-1/2	46.00	46.00	46.00	25.65	25.65	25.65	1-5/8"	1-7/8"	1-7/8"	1-7/8"	Imperial

## DANPST28F

Branch Tee Connector NPSM Swivel Female 60° – NPTF Female

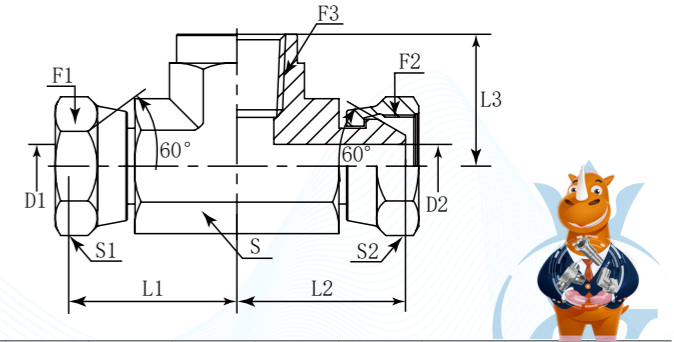
<b>D</b>	<b>A</b>	<b>NPS</b>	<b>T</b>	<b>28</b>	<b>F</b>
Company	Product Range	Thread Types	Adaptor Structure	Thread Types	Connection Type
<b>DME</b>	Adaptor	NPSM	Branch Tee	NPTF	Female

German Technology Equipment

**SHIELD FLEX**

New-Standard

- DME&JDE Code: **DANPST28F**
- Product Type: **Hydraulic Adaptor**
- Standard: **NPTF**
- Structure: **Branch Tee**
- Connection Type: **Swivel Female x Swivel Female x Female**
- Thread Types: **NPSM x NPSM x NPTF**



PART NUMBER	F1 (Thread)	F2 (Thread)	F3 (Thread)	L1	L2	L3	D1	D2	S	S1	S2	Hex
#	NPSM	NPSM	NPTF	mm	mm	mm	mm	mm	-	-	-	-
DANPST28F-0404	1/4"-18	1/4"-18	1/4"-18	23.50	23.50	22.40	5.33	5.33	19 mm	19 mm	19 mm	Metric
DANPST28F-0406	1/4"-18	1/4"-18	3/8"-18	25.90	25.90	25.91	5.33	5.33	22 mm	19 mm	19 mm	Metric
DANPST28F-0404IN	1/4"-18	1/4"-18	1/4"-18	23.50	23.50	22.40	5.33	5.33	3/4"	11/16"	11/16"	Imperial
DANPST28F-0406IN	1/4"-18	1/4"-18	3/8"-18	25.90	25.90	25.91	5.33	5.33	7/8"	11/16"	11/16"	Imperial
DANPST28F-0604	3/8"-18	3/8"-18	1/4"-18	25.65	25.65	22.40	8.13	8.13	19 mm	22 mm	22 mm	Metric
DANPST28F-0606	3/8"-18	3/8"-18	3/8"-18	26.00	26.00	25.90	8.13	8.13	22 mm	22 mm	22 mm	Metric
DANPST28F-0608	3/8"-18	3/8"-18	1/2"-14	29.72	29.72	31.24	8.13	8.13	27 mm	22 mm	22 mm	Metric
DANPST28F-0604IN	3/8"-18	3/8"-18	1/4"-18	25.65	25.65	22.40	8.13	8.13	3/4"	7/8"	7/8"	Imperial
DANPST28F-0606IN	3/8"-18	3/8"-18	3/8"-18	26.00	26.00	25.90	8.13	8.13	7/8"	7/8"	7/8"	Imperial
DANPST28F-0608IN	3/8"-18	3/8"-18	1/2"-14	29.72	29.72	31.24	8.13	8.13	1-1/16"	7/8"	7/8"	Imperial
DANPST28F-0808	1/2"-14	1/2"-14	1/2"-14	31.20	31.20	31.20	11.18	11.18	27 mm	27 mm	27 mm	Metric
DANPST28F-0812	1/2"-14	1/2"-14	3/4"-14	37.30	37.30	34.50	11.18	11.18	33 mm	27 mm	27 mm	Metric
DANPST28F-0808IN	1/2"-14	1/2"-14	1/2"-14	31.20	31.20	31.20	11.18	11.18	1-1/16"	1"	1"	Imperial
DANPST28F-0812IN	1/2"-14	1/2"-14	3/4"-14	37.30	37.30	34.50	11.18	11.18	1-5/16"	1"	1"	Imperial
DANPST28F-1212	3/4"-14	3/4"-14	3/4"-14	35.31	35.31	34.50	15.49	15.49	33 mm	32 mm	32 mm	Metric
DANPST28F-1216	3/4"-14	3/4"-14	1"-11-1/2	40.26	40.26	41.15	15.49	15.49	41 mm	32 mm	32 mm	Metric
DANPST28F-1212IN	3/4"-14	3/4"-14	3/4"-14	35.31	35.31	34.50	15.49	15.49	1-5/16"	1-1/4"	1-1/4"	Imperial
DANPST28F-1216IN	3/4"-14	3/4"-14	1"-11-1/2	40.26	40.26	41.15	15.49	15.49	1-5/8"	1-1/4"	1-1/4"	Imperial
DANPST28F-1612	1"-11-1/2	1"-11-1/2	3/4"-14	37.30	37.30	34.54	19.81	19.81	33 mm	32 mm	32 mm	Metric
DANPST28F-1616	1"-11-1/2	1"-11-1/2	1"-11-1/2	43.90	43.90	41.20	19.81	19.81	41 mm	41 mm	41 mm	Metric
DANPST28F-1612IN	1"-11-1/2	1"-11-1/2	3/4"-14	37.30	37.30	34.54	19.81	19.81	1-5/16"	1-1/4"	1-1/4"	Imperial
DANPST28F-1616IN	1"-11-1/2	1"-11-1/2	1"-11-1/2	43.90	43.90	41.20	19.81	19.81	1-5/8"	1-1/2"	1-1/2"	Imperial
DANPST28F-2020	1-1/4"-11-1/2	1-1/4"-11-1/2	1-1/4"-11-1/2	46.48	46.48	43.18	25.65	25.65	50 mm	50 mm	50 mm	Metric
DANPST28F-2020IN	1-1/4"-11-1/2	1-1/4"-11-1/2	1-1/4"-11-1/2	46.48	46.48	43.18	25.65	25.65	1-7/8"	1-7/8"	1-7/8"	Imperial
DANPST28F-2424	1-1/2"-11-1/2	1-1/2"-11-1/2	1-1/2"-11-1/2	61.21	61.21	52.8	31.75	31.75	65 mm	55 mm	55 mm	Metric
DANPST28F-2424IN	1-1/2"-11-1/2	1-1/2"-11-1/2	1-1/2"-11-1/2	61.21	61.21	52.8	31.75	31.75	2-9/16"	2-1/8"	2-1/8"	Imperial



# DANPST28M

Branch Tee Connector NPSM Swivel Female 60° – NPTF Male 60°

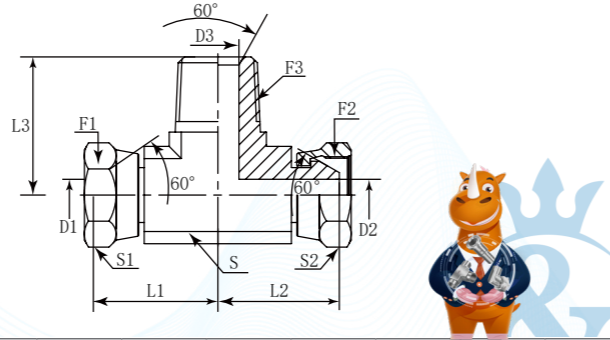
<b>D</b>	<b>A</b>	<b>NPS</b>	<b>T</b>	<b>28</b>	<b>M</b>
Company	Product Range	Thread Types	Adaptor Structure	Thread Types	Connection Type
<b>DME</b>	Adaptor	NPSM	Branch Tee	NPTF	Male

German Technology Equipment

**SHIELD FLEX**

New-Standard

- DME&JDE Code:** DANPST28M
- Product Type:** Hydraulic Adaptor
- Standard:** NPTF
- Structure:** Branch Tee
- Connection Type:** Swivel Female x Swivel Female x Female
- Thread Types:** NPSM x NPSM x NPTF



PART NUMBER	F1 (Thread)	F2 (Thread)	F3 (Thread)	L1	L2	L3	D1	D2	D3	S	S1	S2	Hex
#	NPSM	NPSM	NPTF	mm	mm	mm	mm	mm	mm	-	-	-	-
DANPST28M-0202	1/8"-27	1/8"-27	1/8"-27	17.80	17.80	18.30	2.79	2.79	4.78	11 mm	14 mm	14 mm	Metric
DANPST28M-0202IN	1/8"-27	1/8"-27	1/8"-27	17.80	17.80	18.30	2.79	2.79	4.78	7/16"	9/16"	9/16"	Imperial
DANPST28M-0404	1/4"-18	1/4"-18	1/4"-18	22.35	22.35	27.70	5.33	5.33	7.14	14 mm	19 mm	19 mm	Metric
DANPST28M-0406	1/4"-18	1/4"-18	3/8"-18	24.00	24.00	31.00	5.33	5.33	10.31	19 mm	19 mm	19 mm	Metric
DANPST28M-0408	1/4"-18	1/4"-18	1/2"-14	24.30	24.30	37.30	5.33	5.33	13.49	22 mm	19 mm	19 mm	Metric
DANPST28M-0404IN	1/4"-18	1/4"-18	1/4"-18	22.35	22.35	27.70	5.33	5.33	7.14	9/16"	11/16"	11/16"	Imperial
DANPST28M-0406IN	1/4"-18	1/4"-18	3/8"-18	24.00	24.00	31.00	5.33	5.33	10.31	3/4"	11/16"	11/16"	Imperial
DANPST28M-0408IN	1/4"-18	1/4"-18	1/2"-14	24.30	24.30	37.30	5.33	5.33	13.49	7/8"	11/16"	11/16"	Imperial
DANPST28M-0604	3/8"-18	3/8"-18	1/4"-18	25.00	25.00	31.00	8.13	8.13	7.14	19 mm	22 mm	22 mm	Metric
DANPST28M-0606	3/8"-18	3/8"-18	3/8"-18	22.60	22.60	31.00	8.13	8.13	10.31	19 mm	22 mm	22 mm	Metric
DANPST28M-0608	3/8"-18	3/8"-18	1/2"-14	26.41	26.41	37.30	8.13	8.13	13.49	22 mm	22 mm	22 mm	Metric
DANPST28M-0604IN	3/8"-18	3/8"-18	1/4"-18	25.00	25.00	31.00	8.13	8.13	7.14	3/4"	7/8"	7/8"	Imperial
DANPST28M-0606IN	3/8"-18	3/8"-18	3/8"-18	22.60	22.60	31.00	8.13	8.13	10.31	3/4"	7/8"	7/8"	Imperial
DANPST28M-0608IN	3/8"-18	3/8"-18	1/2"-14	26.41	26.41	37.30	8.13	8.13	13.49	7/8"	7/8"	7/8"	Imperial
DANPST28M-0806	1/2"-14	1/2"-14	3/8"-18	28.19	28.19	37.30	11.18	11.18	10.31	22 mm	27 mm	27 mm	Metric
DANPST28M-0808	1/2"-14	1/2"-14	1/2"-14	28.20	28.20	37.30	11.18	11.18	13.49	22 mm	27 mm	27 mm	Metric
DANPST28M-0812	1/2"-14	1/2"-14	3/4"-14	33.78	33.78	40.40	11.18	11.18	18.26	27 mm	27 mm	27 mm	Metric
DANPST28M-0806IN	1/2"-14	1/2"-14	3/8"-18	28.19	28.19	37.30	11.18	11.18	10.31	7/8"	1"	1"	Imperial
DANPST28M-0808IN	1/2"-14	1/2"-14	1/2"-14	28.20	28.20	37.30	11.18	11.18	13.49	7/8"	1"	1"	Imperial
DANPST28M-0812IN	1/2"-14	1/2"-14	3/4"-14	33.78	33.78	40.40	11.18	11.18	18.26	1-1/16"	1"	1"	Imperial
DANPST28M-1212	3/4"-14	3/4"-14	3/4"-14	33.00	33.00	40.40	15.49	15.49	18.26	27 mm	32 mm	32 mm	Metric
DANPST28M-1216	3/4"-14	3/4"-14	1"-11-1/2	36.30	36.30	50.00	15.49	15.49	23.83	33 mm	32 mm	32 mm	Metric
DANPST28M-1212IN	3/4"-14	3/4"-14	3/4"-14	33.00	33.00	40.40	15.49	15.49	18.26	1-1/16"	1-1/4"	1-1/4"	Imperial
DANPST28M-1216IN	3/4"-14	3/4"-14	1"-11-1/2	36.30	36.30	50.00	15.49	15.49	23.83	1-5/16"	1-1/4"	1-1/4"	Imperial
DANPST28M-1612	1"-11-1/2	1"-11-1/2	3/4"-14	39.62	39.62	50.00	19.81	19.81	18.26	33 mm	41 mm	41 mm	Metric
DANPST28M-1616	1"-11-1/2	1"-11-1/2	1"-11-1/2	39.12	39.12	50.00	19.81	19.81	23.83	33 mm	41 mm	41 mm	Metric
DANPST28M-1612IN	1"-11-1/2	1"-11-1/2	3/4"-14	39.62	39.62	50.00	19.81	19.81	18.26	1-5/16"	1-1/2"	1-1/2"	Imperial
DANPST28M-1616IN	1"-11-1/2	1"-11-1/2	1"-11-1/2	39.12	39.12	50.00	19.81	19.81	23.83	1-5/16"	1-1/2"	1-1/2"	Imperial
DANPST28M-2020	1-1/4"-11-1/2	1-1/4"-11-1/2	1-1/4"-11-1/2	43.90	43.90	60.50	25.65	25.65	31.75	41 mm	50 mm	50 mm	Metric
DANPST28M-2020IN	1-1/4"-11-1/2	1-1/4"-11-1/2	1-1/4"-11-1/2	43.90	43.90	60.50	25.65	25.65	31.75	1-5/8"	1-7/8"	1-7/8"	Imperial
DANPST28M-2424	1-1/2"-11-1/2	1-1/2"-11-1/2	1-1/2"-11-1/2	48.01	48.01	67.10	31.75	31.75	38.10	50 mm	55 mm	55 mm	Metric
DANPST28M-2424IN	1-1/2"-11-1/2	1-1/2"-11-1/2	1-1/2"-11-1/2	48.01	48.01	67.10	31.75	31.75	38.10	1-7/8"	2-1/8"	2-1/8"	Imperial

# DANPML25M

Run Tee Connector NPTF Male 60° – JIC Male 74°

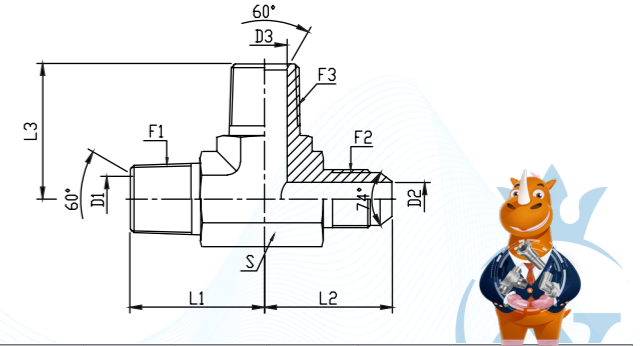
<b>D</b>	<b>A</b>	<b>NP</b>	<b>M</b>	<b>L</b>	<b>25</b>	<b>M</b>
Company	Product Range	Thread Types	Connection Type	Adaptor Structure	Thread Types	Connection Type
<b>DME</b>	Adaptor	NPTF	Male	Run Tee	JIC UNF	Male

German Technology Equipment

**SHIELD FLEX**

New-Standard

- DME&JDE Code:** DANPML25M
- Product Type:** Hydraulic Adaptor
- Standard:** NPTF
- Structure:** Run Tee
- Connection Type:** Male x Male x Male
- Thread Types:** NPTF x UNF x NPTF



PART NUMBER	F1 (Thread)	F2 (Thread)	F3 (Thread)	D1	D2	D3	L1	L2	L3	S	Hex
#	NPTF	UNF	NPTF	mm	mm	mm	mm	mm	mm	-	-
DANPML25M-0204	1/8"-27	7/16"-20	1/8"-27	4.78	4.37	4.78	19.80	22.60	19.80	11 mm	Metric
DANPML25M-0204IN	1/8"-27	7/16"-20	1/8"-27	4.78	4.37	4.78	19.80	22.60	19.80	7/16"	Imperial
DANPML25M-0406	1/4"-18	9/16"-18	1/4"-18	7.14	7.54	7.14	27.70	26.90	27.70	14 mm	Metric
DANPML25M-0406IN	1/4"-18	9/16"-18	1/4"-18	7.14	7.54	7.14	27.70	26.90	27.70	9/16"	Imperial
DANPML25M-0606	3/8"-18	9/16"-18	3/8"-18	10.31	7.54	10.31	31.00	28.96	31.00	19 mm	Metric
DANPML25M-0608	3/8"-18	3/4"-16	3/8"-18	10.31	9.93	10.31	31.00	31.80	31.00	19 mm	Metric
DANPML25M-0606IN	3/8"-18	9/16"-18	3/8"-18	10.31	7.54	10.31	31.00	28.96	31.00	3/4"	Imperial
DANPML25M-0608IN	3/8"-18	3/4"-16	3/8"-18	10.31	9.93	10.31	31.00	31.80	31.00	3/4"	Imperial
DANPML25M-0808	1/2"-14	3/4"-16	1/2"-14	13.49	9.93	13.49	37.30	31.80	37.30	22 mm	Metric
DANPML25M-0810	1/2"-14	7/8"-14	1/2"-14	13.49	12.29	13.49	37.30	36.80	37.30	22 mm	Metric
DANPML25M-0808IN	1/2"-14	3/4"-16	1/2"-14	13.49	9.93	13.49	37.30	31.80	37.30	7/8"	Imperial
DANPML25M-0810IN	1/2"-14	7/8"-14	1/2"-14	13.49	12.29	13.49	37.30	36.80	37.30	7/8"	Imperial
DANPML25M-1212	3/4"-14	1-1/16"-12	3/4"-14	18.26	15.47	18.26	40.39	42.16	40.39	27 mm	Metric
DANPML25M-1212IN	3/4"-14	1-1/16"-12	3/4"-14	18.26	15.47	18.26	40.39	42.16	40.39	1-1/8"	Imperial
DANPML25M-1616	1"-11-1/2	1-5/16"-12	1"-11-1/2	23.83	21.44	23.83	50.04	45.97	50.04	33 mm	Metric
DANPML25M-1616IN	1"-11-1/2	1-5/16"-12	1"-11-1/2	23.83	21.44	23.83	50.04	45.97	50.04	1-5/16"	Imperial
DANPML25M-2020	1-1/4"-11-1/2	1-5/8"-12	1-1/4"-11-1/2	31.75	27.38	31.75	60.45	52.32	60.45	41 mm	Metric
DANPML25M-2020IN	1-1/4"-11-1/2	1-5/8"-12	1-1/4"-11-1/2	31.75	27.38	31.75	60.45	52.32	60.45	1-1/2"	Imperial
DANPML25M-2424	1-1/2"-11-1/2	1-7/8"-12	1-1/2"-11-1/2	38.10	33.32	38.10	67.10	59.20	67.10	48 mm	Metric
DANPML25M-2424IN	1-1/2"-11-1/2	1-7/8"-12	1-1/2"-11-1/2	38.10	33.32	38.10	67.10	59.20	67.10	1-7/8"	Imperial



# DANPFL25M

Run Tee Connector NPTF Female – JIC Male 74°

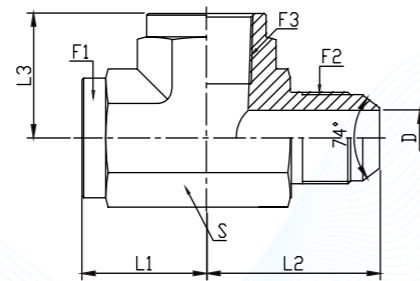
<b>D</b>	<b>A</b>	<b>NP</b>	<b>F</b>	<b>L</b>	<b>25</b>	<b>M</b>
Company	Product Range	Thread Types	Connection Type	Adaptor Structure	Thread Types	Connection Type
<b>DME</b>	Adaptor	NPTF	Female	Run Tee	JIC UNF	Male

German Technology Equipment

**SHIELD FLEX**

New-Standard

- DME&JDE Code: **DANPFL25M**
- Product Type: **Hydraulic Adaptor**
- Standard: **NPTF**
- Structure: **Run Tee**
- Connection Type: **Male x Female x Female**
- Thread Types: **NPTF x UNF x NPTF**



PART NUMBER	F1 (Thread)	F2 (Thread)	F3 (Thread)	D	L1	L2	L3	S	Hex
#	NPTF	UNF	NPTF	mm	mm	mm	mm	-	-
DANPFL25M-0204	1/8"-28	7/16"-20	1/8"-28	4.37	16.80	27.40	16.80	14 mm	Metric
DANPFL25M-0204IN	1/8"-28	7/16"-20	1/8"-28	4.37	16.80	27.40	16.80	9/16"	Imperial
DANPFL25M-0404	1/4"-18	7/16"-20	1/4"-18	4.37	22.35	31.00	22.35	19 mm	Metric
DANPFL25M-0406	1/4"-18	9/16"-18	1/4"-18	7.54	22.40	31.20	22.40	19 mm	Metric
DANPFL25M-0404IN	1/4"-18	7/16"-20	1/4"-18	4.37	22.35	31.00	22.35	3/4"	Imperial
DANPFL25M-0406IN	1/4"-18	9/16"-18	1/4"-18	7.54	22.40	31.20	22.40	3/4"	Imperial
DANPFL25M-0608	3/8"-18	3/4"-16	3/8"-18	9.93	25.90	36.10	25.90	22 mm	Metric
DANPFL25M-0608IN	3/8"-18	3/4"-16	3/8"-18	9.93	25.90	36.10	25.90	7/8"	Imperial
DANPFL25M-0808	1/2"-14	3/4"-16	1/2"-14	9.93	31.24	38.61	31.24	27 mm	Metric
DANPFL25M-0810	1/2"-14	7/8"-14	1/2"-14	12.29	31.20	41.70	31.20	27 mm	Metric
DANPFL25M-0808IN	1/2"-14	3/4"-16	1/2"-14	9.93	31.24	38.61	31.24	1-1/8"	Imperial
DANPFL25M-0810IN	1/2"-14	7/8"-14	1/2"-14	12.29	31.20	41.70	31.20	1-1/8"	Imperial
DANPFL25M-1212	3/4"-14	1-1/16"-12	3/4"-14	15.47	34.50	48.00	34.50	33 mm	Metric
DANPFL25M-1212IN	3/4"-14	1-1/16"-12	3/4"-14	15.47	34.50	48.00	34.50	1-5/16"	Imperial
DANPFL25M-1616	1"-11-1/2	1-5/16"-12	1"-11-1/2	21.44	41.15	55.12	41.15	41 mm	Metric
DANPFL25M-1616IN	1"-11-1/2	1-5/16"-12	1"-11-1/2	21.44	41.15	55.12	41.15	1-1/2"	Imperial
DANPFL25M-2020	1-1/4"-11-1/2	1-5/8"-12	1-1/4"-11-1/2	27.38	43.20	59.20	43.20	48 mm	Metric
DANPFL25M-2020IN	1-1/4"-11-1/2	1-5/8"-12	1-1/4"-11-1/2	27.38	43.20	59.20	43.20	1-7/8"	Imperial
DANPFL25M-2424	1-1/2"-11-1/2	1-7/8"-12	1-1/2"-11-1/2	33.32	52.80	73.40	52.80	65 mm	Metric
DANPFL25M-2424IN	1-1/2"-11-1/2	1-7/8"-12	1-1/2"-11-1/2	33.32	52.80	73.40	52.80	2-5/8"	Imperial

# DANPFL28M

Run Tee Connector NPTF Female – NPTF Male 60°

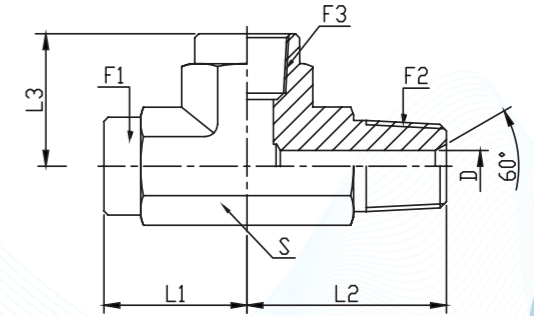
<b>D</b>	<b>A</b>	<b>NP</b>	<b>F</b>	<b>L</b>	<b>28</b>	<b>M</b>
Company	Product Range	Thread Types	Connection Type	Adaptor Structure	Thread Types	Connection Type
<b>DME</b>	Adaptor	NPTF	Female	Run Tee	NPTF	Male

German Technology Equipment

**SHIELD FLEX**

New-Standard

- DME&JDE Code: **DANPFL28M**
- Product Type: **Hydraulic Adaptor**
- Standard: **NPTF**
- Structure: **Run Tee**
- Connection Type: **Female x Male x Male**
- Thread Types: **NPTF x NPTF x NPTF**



PART NUMBER	F1 (Thread)	F2 (Thread)	F3 (Thread)	L2	L1	L3	D	S	Hex
#	NPTF	NPTF	NPTF	mm	mm	mm	mm	-	-
DANPFL28M-0202	1/8"-27	1/8"-27	1/8"-27	19.80	16.80	16.80	4.78	14 mm	Metric
DANPFL28M-0204	1/4"-18	1/8"-27	1/4"-18	22.86	22.35	22.35	4.78	19 mm	Metric
DANPFL28M-0202IN	1/8"-27	1/8"-27	1/8"-27	19.80	16.80	16.80	4.78	9/16"	Imperial
DANPFL28M-0204IN	1/4"-18	1/8"-27	1/4"-18	22.86	22.35	22.35	4.78	3/4"	Imperial
DANPFL28M-0404	1/4"-18	1/4"-18	1/4"-18	27.69	22.35	22.35	7.14	19 mm	Metric
DANPFL28M-0404IN	1/4"-18	1/4"-18	1/4"-18	27.69	22.35	22.35	7.14	3/4"	Imperial
DANPFL28M-0606	3/8"-18	3/8"-18	3/8"-18	30.99	25.91	25.91	10.31	22 mm	Metric
DANPFL28M-0606IN	3/8"-18	3/8"-18	3/8"-18	30.99	25.91	25.91	10.31	7/8"	Imperial
DANPFL28M-0808	1/2"-14	1/2"-14	1/2"-14	37.34	31.24	31.24	13.49	27 mm	Metric
DANPFL28M-0808IN	1/2"-14	1/2"-14	1/2"-14	37.34	31.24	31.24	13.49	1-1/16"	Imperial
DANPFL28M-1212	3/4"-14	3/4"-14	3/4"-14	40.39	34.54	34.54	18.26	33 mm	Metric
DANPFL28M-1212IN	3/4"-14	3/4"-14	3/4"-14	40.39	34.54	34.54	18.26	1-5/16"	Imperial
DANPFL28M-1616	1"-11-1/2	1"-11-1/2	1"-11-1/2	50.00	41.20	41.20	23.83	41 mm	Metric
DANPFL28M-1616IN	1"-11-1/2	1"-11-1/2	1"-11-1/2	50.00	41.20	41.20	23.83	1-5/8"	Imperial
DANPFL28M-2020	1-1/4"-11-1/2	1-1/4"-11-1/2	1-1/4"-11-1/2	60.50	43.20	43.20	31.75	50 mm	Metric
DANPFL28M-2020IN	1-1/4"-11-1/2	1-1/4"-11-1/2	1-1/4"-11-1/2	60.50	43.20	43.20	31.75	1-7/8"	Imperial
DANPFL28M-2424	1-1/2"-11-1/2	1-1/2"-11-1/2	1-1/2"-11-1/2	67.10	52.80	52.80	38.10	65 mm	Metric
DANPFL28M-2424IN	1-1/2"-11-1/2	1-1/2"-11-1/2	1-1/2"-11-1/2	67.10	52.80	52.80	38.10	2-9/16"	Imperial
DANPFL28M-3232	2"-11-1/2	2"-11-1/2	2"-11-1/2	76.20	60.70	60.70	49.23	70 mm	Metric
DANPFL28M-3232IN	2"-11-1/2	2"-11-1/2	2"-11-1/2	76.20	60.70	60.70	49.23	2-13/16"	Imperial



# DANPML28F

Run Tee Connector NPTF Male 60° – NPTF Female

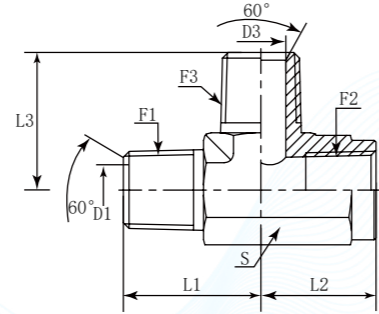
<b>D</b>	<b>A</b>	<b>NP</b>	<b>M</b>	<b>L</b>	<b>28</b>	<b>F</b>
Company	Product Range	Thread Types	Connection Type	Adaptor Structure	Thread Types	Connection Type
<b>DME</b>	Adaptor	NPTF	Male	Run Tee	NPTF	Female

German Technology Equipment

**SHIELD FLEX**

New-Standard

- DME&JDE Code: **DANPML28F**
- Product Type: **Hydraulic Adaptor**
- Standard: **NPTF**
- Structure: **Run Tee**
- Connection Type: **Male x Female x Male**
- Thread Types: **NPTF x NPTF x NPTF**



PART NUMBER	F1 (Thread)	F2 (Thread)	F3 (Thread)	L1	L2	L3	D1	D3	S	Hex
#	NPTF	NPTF	NPTF	mm	mm	mm	mm	mm	-	-
DANPML28F-0202	1/8"-27	1/8"-27	1/8"-27	19.80	16.80	19.80	4.78	4.78	14 mm	Metric
DANPML28F-0202IN	1/8"-27	1/8"-27	1/8"-27	19.80	16.80	19.80	4.78	4.78	9/16"	Imperial
DANPML28F-0404	1/4"-18	1/4"-18	1/4"-18	27.70	22.40	27.70	7.14	7.14	19 mm	Metric
DANPML28F-0404IN	1/4"-18	1/4"-18	1/4"-18	27.70	22.40	27.70	7.14	7.14	3/4"	Imperial
DANPML28F-0606	3/8"-18	3/8"-18	3/8"-18	31.00	25.90	31.00	10.31	10.31	22 mm	Metric
DANPML28F-0606IN	3/8"-18	3/8"-18	3/8"-18	31.00	25.90	31.00	10.31	10.31	7/8"	Imperial
DANPML28F-0808	1/2"-14	1/2"-14	1/2"-14	37.30	31.20	37.30	13.49	13.49	27 mm	Metric
DANPML28F-0808IN	1/2"-14	1/2"-14	1/2"-14	37.30	31.20	37.30	13.49	13.49	1-1/16"	Imperial
DANPML28F-1212	3/4"-14	3/4"-14	3/4"-14	40.40	34.50	40.40	18.26	18.26	33 mm	Metric
DANPML28F-1212IN	3/4"-14	3/4"-14	3/4"-14	40.40	34.50	40.40	18.26	18.26	1-5/16"	Imperial
DANPML28F-1616	1"-11-1/2	1"-11-1/2	1"-11-1/2	50.00	41.20	50.00	23.83	23.83	41 mm	Metric
DANPML28F-1616IN	1"-11-1/2	1"-11-1/2	1"-11-1/2	50.00	41.20	50.00	23.83	23.83	1-5/8"	Imperial
DANPML28F-2020	1-1/4"-11-1/2	1-1/4"-11-1/2	1-1/4"-11-1/2	60.50	43.20	60.50	31.75	31.75	50 mm	Metric
DANPML28F-2020IN	1-1/4"-11-1/2	1-1/4"-11-1/2	1-1/4"-11-1/2	60.50	43.20	60.50	31.75	31.75	1-7/8"	Imperial
DANPML28F-2424	1-1/2"-11-1/2	1-1/2"-11-1/2	1-1/2"-11-1/2	67.10	52.80	67.10	38.10	38.10	65 mm	Metric
DANPML28F-2424IN	1-1/2"-11-1/2	1-1/2"-11-1/2	1-1/2"-11-1/2	67.10	52.80	67.10	38.10	38.10	2-9/16"	Imperial
DANPML28F-3232	2"-11-1/2	2"-11-1/2	2"-11-1/2	76.20	60.70	76.20	49.23	49.23	70 mm	Metric
DANPML28F-3232IN	2"-11-1/2	2"-11-1/2	2"-11-1/2	76.20	60.70	76.20	49.23	49.23	2-13/16"	Imperial

# DANPFX28F

Cross Connector NPTF Female

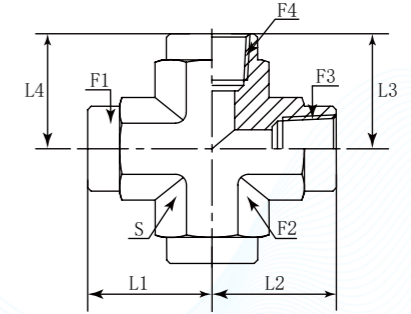
<b>D</b>	<b>A</b>	<b>NP</b>	<b>F</b>	<b>X</b>	<b>28</b>	<b>F</b>
Company	Product Range	Thread Types	Connection Type	Adaptor Structure	Thread Types	Connection Type
<b>DME</b>	Adaptor	NPTF	Female	Cross	NPTF	Female

German Technology Equipment

**SHIELD FLEX**

New-Standard

- DME&JDE Code: **DANPFX28F**
- Product Type: **Hydraulic Adaptor**
- Standard: **NPTF**
- Structure: **Cross**
- Connection Type: **Female x Female x Female x Female**
- Thread Types: **NPTF x NPTF x NPTF x NPTF**



PART NUMBER	F1 (Thread)	F2 (Thread)	F3 (Thread)	F4 (Thread)	L1	L2	L3	L4	S	Hex
#	NPTF	NPTF	NPTF	NPTF	mm	mm	mm	mm	-	-
DANPFX28F-0202	1/8"-27	1/8"-27	1/8"-27	1/8"-27	16.80	16.80	16.80	16.80	14 mm	Metric
DANPFX28F-0202IN	1/8"-27	1/8"-27	1/8"-27	1/8"-27	16.80	16.80	16.80	16.80	9/16"	Imperial
DANPFX28F-0404	1/4"-18	1/4"-18	1/4"-18	1/4"-18	22.40	22.40	22.40	22.40	19 mm	Metric
DANPFX28F-0404IN	1/4"-18	1/4"-18	1/4"-18	1/4"-18	22.40	22.40	22.40	22.40	3/4"	Imperial
DANPFX28F-0606	3/8"-18	3/8"-18	3/8"-18	3/8"-18	25.90	25.90	25.90	25.90	22 mm	Metric
DANPFX28F-0606IN	3/8"-18	3/8"-18	3/8"-18	3/8"-18	25.90	25.90	25.90	25.90	7/8"	Imperial
DANPFX28F-0808	1/2"-14	1/2"-14	1/2"-14	1/2"-14	31.20	31.20	31.20	31.20	27 mm	Metric
DANPFX28F-0808IN	1/2"-14	1/2"-14	1/2"-14	1/2"-14	31.20	31.20	31.20	31.20	1-1/16"	Imperial
DANPFX28F-1212	3/4"-14	3/4"-14	3/4"-14	3/4"-14	34.50	34.50	34.50	34.50	33 mm	Metric
DANPFX28F-1212IN	3/4"-14	3/4"-14	3/4"-14	3/4"-14	34.50	34.50	34.50	34.50	1-5/16"	Imperial
DANPFX28F-1616	1"-11-1/2	1"-11-1/2	1"-11-1/2	1"-11-1/2	41.20	41.20	41.20	41.20	41 mm	Metric
DANPFX28F-1616IN	1"-11-1/2	1"-11-1/2	1"-11-1/2	1"-11-1/2	41.20	41.20	41.20	41.20	1-5/8"	Imperial
DANPFX28F-2020	1-1/4"-11-1/2	1-1/4"-11-1/2	1-1/4"-11-1/2	1-1/4"-11-1/2	43.20	43.20	43.20	43.20	48 mm	Metric
DANPFX28F-2020IN	1-1/4"-11-1/2	1-1/4"-11-1/2	1-1/4"-11-1/2	1-1/4"-11-1/2	43.20	43.20	43.20	43.20	1-7/8"	Imperial
DANPFX28F-2424	1-1/2"-11-1/2	1-1/2"-11-1/2	1-1/2"-11-1/2	1-1/2"-11-1/2	52.80	52.80	52.80	52.80	65 mm	Metric
DANPFX28F-2424IN	1-1/2"-11-1/2	1-1/2"-11-1/2	1-1/2"-11-1/2	1-1/2"-11-1/2	52.80	52.80	52.80	52.80	2-9/16"	Imperial
DANPFX28F-3232	2"-11-1/2	2"-11-1/2	2"-11-1/2	2"-11-1/2	60.70	60.70	60.70	60.70	71 mm	Metric
DANPFX28F-3232IN	2"-11-1/2	2"-11-1/2	2"-11-1/2	2"-11-1/2	60.70	60.70	60.70	60.70	2-13/16"	Imperial







# Hydraulic Adaptors

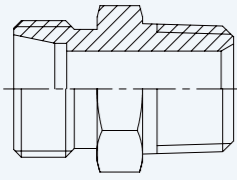
## DIN 2353 >>



<p><b>DU</b> P567</p> <p>Straight Connector</p>	<p><b>DU-LH</b> P568</p> <p>Straight Connector Large Hexagon</p>	<p><b>DL</b> P569</p> <p>Connector 90° Elbow</p>	<p><b>DUR</b> P570</p> <p>Straight Connector</p>
<p><b>DUR-LH</b> P571</p> <p>Reducing Straight Connector Large Hexagon</p>	<p><b>DT</b> P572</p> <p>Connector Tee</p>	<p><b>DC</b> P573</p> <p>Connector Cross</p>	<p><b>DTR</b> P574</p> <p>Reducing Tee</p>
<p><b>DBU</b> P576</p> <p>Bulkhead Connector</p>	<p><b>DBL</b> P577</p> <p>Bulkhead Connector Elbow</p>	<p><b>DOM-U</b> P578</p> <p>Male Connector (JIC Male) with O Ring</p>	<p><b>DOM-M</b> P580</p> <p>DIN2353 Male Connector Metric Male with O Ring</p>
<p><b>DMC-G</b> P581</p> <p>Bulkhead Connector</p>	<p><b>DMC-G-60</b> P583</p> <p>Male Connector (BSPP Male) with 60° Cone Seal</p>	<p><b>DMC-R</b> P584</p> <p>Male Connector (BSPT 60° Male) with Form C Stud End</p>	<p><b>DMC-M</b> P586</p> <p>Metric Male Connector with Cutting Face</p>

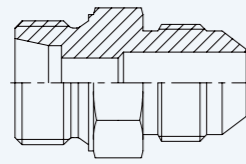


**DMC-N**  
P587



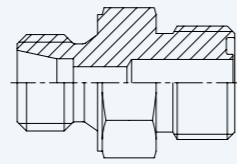
Male Connector (NPTF 60° Male) with Form C Stud End

**DMC-JC**  
P589



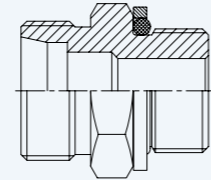
Male Connector (JIC male)

**DMC-FS**  
P591



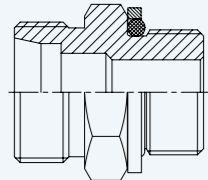
DIN2353 Male Connector DRFS Male

**DMC-GQ**  
P592



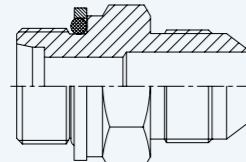
DIN 2353 Male Connector (BSPP Male) with O Ring and Retaining Ring

**DMC-MQ**  
P593



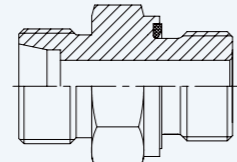
DIN 2353 Male Connector Metric Male with O Ring and Retaining Ring

**DMCQ-JC**  
P594



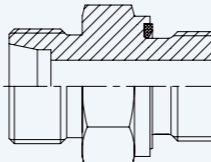
DIN 2353 Male Connector O Ring and Retaining Ring (JIC male)

**DMC-GED**  
P596



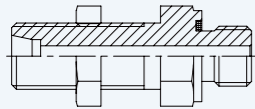
Male Connector (BSPP Male) with ED Ring

**DMC-MED**  
P598



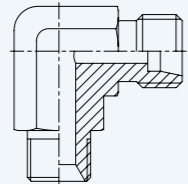
Metric Male Connector with ED Ring

**DBMC-GED**  
P600



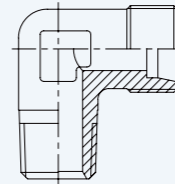
Male Bulkhead Connector (BSPP) with ED Ring

**DLM-G**  
P601



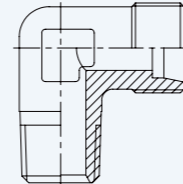
DIN 2353 90° Elbow BSPP Male

**DLM-R**  
P602



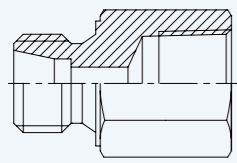
90° Elbow BSPT Male

**DLM-N**  
P603



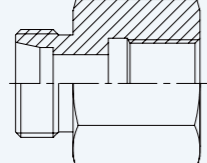
90° Elbow NPTF Male

**DFC-N**  
P604



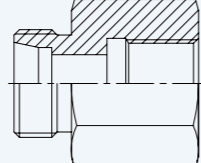
Female Connector NPTF Female

**DFC-G**  
P605



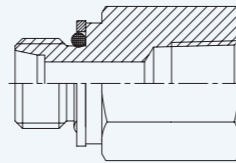
Female Connector BSPP Female

**DFC-M**  
P606



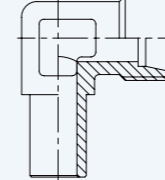
Female Connector Metric Female

**DQFC-N**  
P607



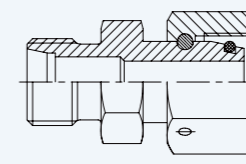
Male Connector (NPTF Male) with Form X Tapped Holes

**DLA**  
P608



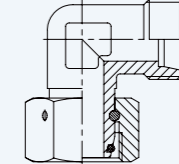
Adjustable 90° Elbow with Standard Pipe

**DED**  
P609



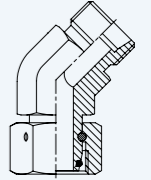
Swivel Female Connector with 24° Cone

**DEW**  
P610



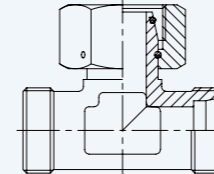
Swivel Adjustable 90° Elbow With 24° Cone

**DEV**  
P611



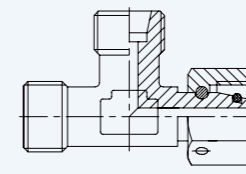
DIN 2353 Adjustable 45° Male Stud Elbow

**DET**  
P612



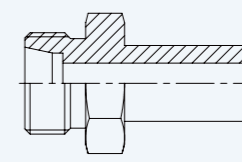
Swivel Adjustable Branch Tee with 24° Cone

**DEL**  
P613



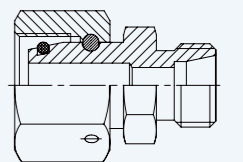
Swivel Adjustable Run Tee with 24° Cone

**DR**  
P614



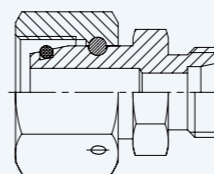
Reducer Straight Adapter Male 24° - Standpipe

**DRED-L**  
P615



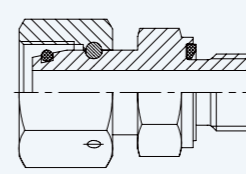
Swivel Reducing Connector with 24° Cone L Series

**DRED-S**  
P616



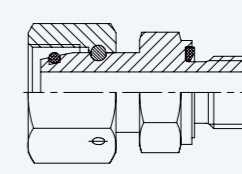
Swivel Reducing Connector with 24° Cone S Series

**DEGE-G**  
P617



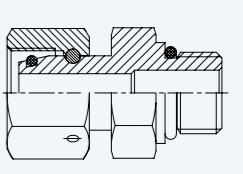
Swivel Female Connector (BSPP Male) with 24° Cone and ED Ring

**DEGE-M**  
P618



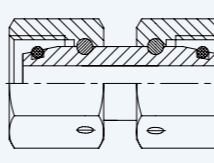
Swivel Female Connector (Metric Male) with 24° Cone and ED Ring

**DEGE-U**  
P619



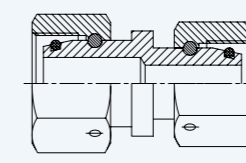
DIN 2353 Swivel Female Connector SAE MALE with O Ring

**DUE**  
P620



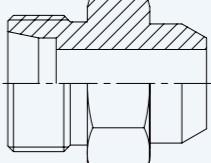
Swivel Female Connector with 24° Cone

**DUER**  
P621



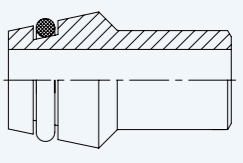
DIN 2353 Swivel Female Reducing Coupling with 24° Cone

**DAS**  
P622



Welding Connector

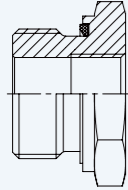
**DAK**  
P623



Welding Nipple with O Ring

**MFAD-ED**

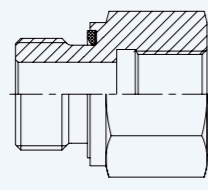
P624



Male Female Bushing Connector  
BSPP with ED Ring

**MFAE-ED**

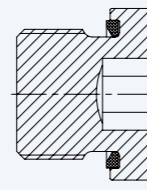
P625



Male Female Connector BSPP  
with ED Ring

**DVSTI-GED**

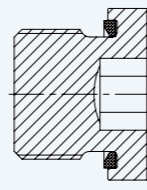
P626



Blanking Plug BSPP for Port with  
ED Ring

**DVSTI-MED**

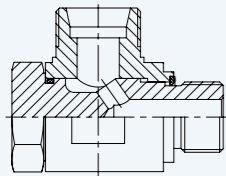
P627



Blanking Plug Metric for Port  
with ED Ring

**DSVW-G**

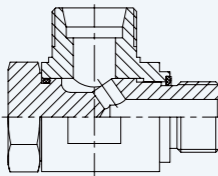
P628



Banjo Coupling BSPP with ED  
Ring

**DSVW-M**

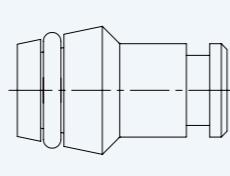
P629



Banjo Coupling Metric with ED  
Ring

**DVKA**

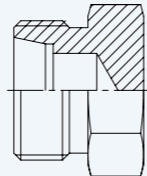
P630



Blank Plug with O Ring Port with  
ED Ring

**DCA**

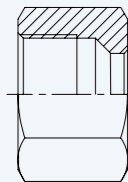
P631



Tube Cap

**DN**

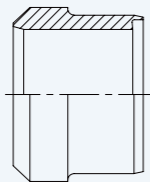
P632



Tube Nut

**DS**

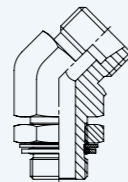
P633



Cutting Ring

**DL4-GQ**

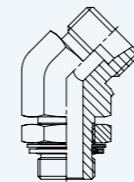
P634



DIN 2353 Adjustable Elbow 45° BSPP  
Male O Ring and Retaining Ring

**DL4-MQ**

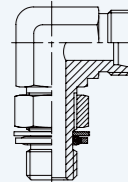
P635



DIN 2353 Adjustable Elbow 45° Metric  
Male O Ring and Retaining Ring

**DL-GQ**

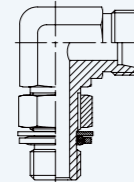
P636



Adjustable Elbow BSPP Male  
ORB

**DL-MQ**

P637



Adjustable Elbow Metric Male  
ORB

**DLN**

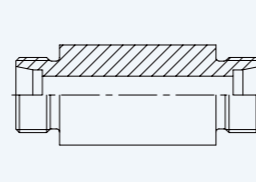
P638



Bulkhead Nut

**DBUW**

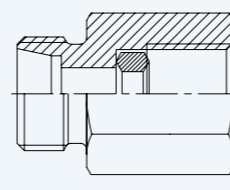
P639



Long Hexagon Metric Male

**DGC**

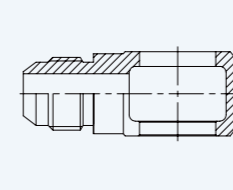
P640



Female Connector Metric  
Female With DK1

**MJ-BJBP**

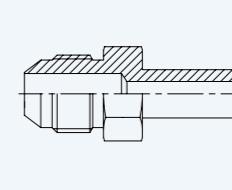
P641



Straight Connector JIC Male -  
Banjo BSP

**DA-J**

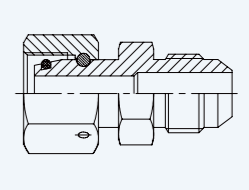
P642



Welding Elbows

**DEGE-JC**

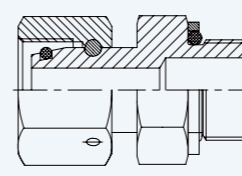
P643



Swivel Female Connector JIC  
Male with 24° Cone

**DEGE-GQ**

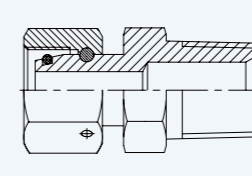
P644



Swivel Female Connector BSPP  
Male with 24° Cone and O Ring  
+ Retaining Ring

**DEGE-N**

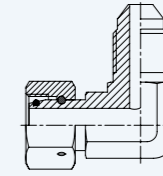
P645



Swivel Female Connector (NPTF  
Male) with 24° Cone

**DEWGE**

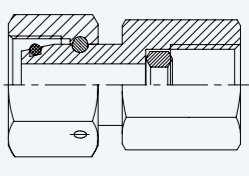
P646



DIN 2353 Swivel Adjustable  
90° Elbow JIC Male

**DGE**

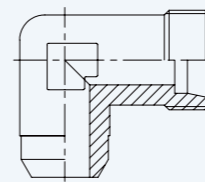
P647



Swivel Connector (Metric  
Female) with 24° Cone and DK1

**DLS**

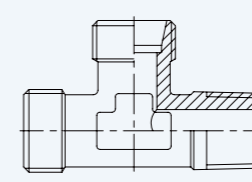
P648



Welding Elbows

**DTLM**

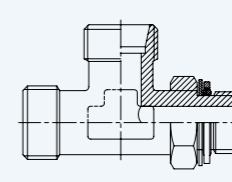
P649



Adjustable Run Tee with BSPT  
Male

**DTL-MQ**

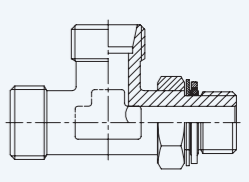
P650



DIN 2353 Adjustable Run Tee with  
Metric Male O Ring and Retaining Ring

**DTL-GQ**

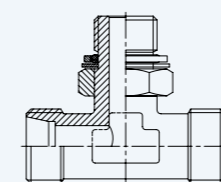
P651



DIN 2353 Adjustable Run Tee with BSPP  
Male + O Ring + Retaining Ring

**DTT-MQ**

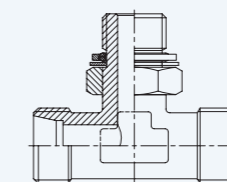
P652



DIN 2353 Adjustable Branch Tee  
with Metric Male O Ring and  
Retaining Ring

**DTT-GQ**

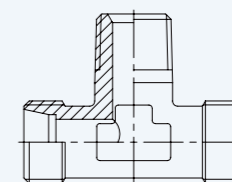
P653



DIN 2353 Adjustable Branch  
Tee with BSPP Male + O Ring +  
Retaining Ring

**DTTM**

P654



Adjustable Branch Tee with  
BSPT Male



# DU

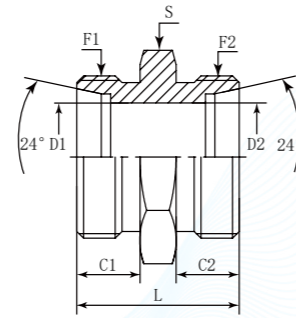
Straight Connector

German Technology Equipment

**SHIELD FLEX**

New-Standard

- DME&JDE Code: **DU**
- Product Type: **Hydraulic adaptor**
- Standard: **DIN 2353**
- Structure: **Straight**
- Thread Types: **Metric x Metric**



Filter the F1 Thread through selecting the -XX options

PART NUMBER	F1 (Thread)	F2 (Thread)	C1	C2	D1	D2	L	S
#	Metric	Metric	mm	mm	mm	mm	mm	mm
DU-06L	M12X1.5	M12X1.5	10.00	10.00	4.00	4.00	24.00	12.00
DU-06LL	M10X1	M10X1	8.00	8.00	4.50	4.50	20.00	11.00
DU-06S	M14X1.5	M14X1.5	12.00	12.00	4.00	4.00	30.00	14.00
DU-08L	M14X1.5	M14X1.5	10.00	10.00	6.00	6.00	25.00	14.00
DU-08LL	M12X1	M12X1	9.00	9.00	6.00	6.00	23.00	12.00
DU-08S	M16X1.5	M16X1.5	12.00	12.00	5.00	5.00	32.00	17.00
DU-10L	M16X1.5	M16X1.5	11.00	11.00	8.00	8.00	27.00	17.00
DU-10S	M18X1.5	M18X1.5	12.00	12.00	7.00	7.00	32.00	19.00
DU-12L	M18X1.5	M18X1.5	11.00	11.00	10.00	10.00	28.00	19.00
DU-12S	M20X1.5	M20X1.5	12.00	12.00	8.00	8.00	34.00	22.00
DU-14S	M22X1.5	M22X1.5	14.00	14.00	10.00	10.00	38.00	24.00
DU-15L	M22X1.5	M22X1.5	12.00	12.00	12.00	12.00	30.00	24.00
DU-16S	M24X1.5	M24X1.5	14.00	14.00	12.00	12.00	38.00	27.00
DU-18L	M26X1.5	M26X1.5	12.00	12.00	15.00	15.00	31.00	27.00
DU-20S	M30X2	M30X2	16.00	16.00	16.00	16.00	44.00	32.00
DU-22L	M30X2	M30X2	14.00	14.00	19.00	19.00	35.00	32.00
DU-25S	M36X2	M36X2	18.00	18.00	20.00	20.00	50.00	41.00
DU-28L	M36X2	M36X2	14.00	14.00	24.00	24.00	36.00	41.00
DU-30S	M42X2	M42X2	20.00	20.00	25.00	25.00	54.00	46.00
DU-38S	M52X2	M52X2	22.00	22.00	32.00	32.00	61.00	55.00

# DU-LH

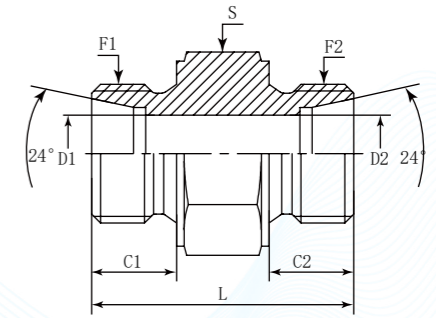
Straight Connector Large Hexagon

German Technology Equipment

**SHIELD FLEX**

New-Standard

- DME&JDE Code: **DU-LH**
- Product Type: **Hydraulic adaptor**
- Standard: **DIN 2353**
- Structure: **Straight**
- Thread Types: **Metric x Metric**
- Other Features: **Hexagon**



PART NUMBER	F1/F2 (Thread)	C1/C2	D1/D2	L	S
#	Metric	mm	mm	mm	mm
DU-LH-04LL	M8X1	8.00	8.00	24.00	12.00
DU-LH-06L	M12X1.5	10.00	4.00	30.00	17.00
DU-LH-08L	M14X1.5	10.00	6.00	30.00	19.00
DU-LH-10L	M16X1.5	11.00	8.00	32.00	22.00
DU-LH-12L	M18X1.5	11.00	10.00	34.00	24.00
DU-LH-12S	M20X1.5	12.00	8.00	36.50	27.00
DU-LH-15L	M22X1.5	12.00	12.00	37.00	27.00
DU-LH-16S	M24X1.5	14.00	12.00	40.00	30.00
DU-LH-18L	M26X1.5	12.00	15.00	39.00	32.00
DU-LH-22L	M30X2	14.00	19.00	42.00	36.00
DU-LH-25S	M36X2	18.00	20.00	53.00	46.00
DU-LH-28L	M36X2	14.00	24.00	44.50	46.00
DU-LH-30A	M30X1.5	14.00	19.00	44.00	36.00
DU-LH-30S	M42X2	20.00	25.00	56.00	50.00
DU-LH-35L	M45X2	16.00	30.00	52.00	55.00
DU-LH-M27	M27X2	12.00	15.00	39.00	32.00
DU-LH-M27A	M27X1.5	12.00	15.00	39.00	32.00

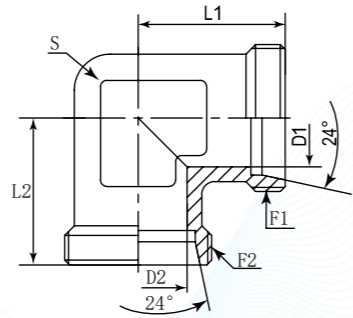


**DL**

Connector 90° Elbow



- DME&JDE Code: DL
- Product Type: Hydraulic adaptor
- Standard: DIN 2353
- Structure: 90° Elbow
- Thread Types: Metric x Metric



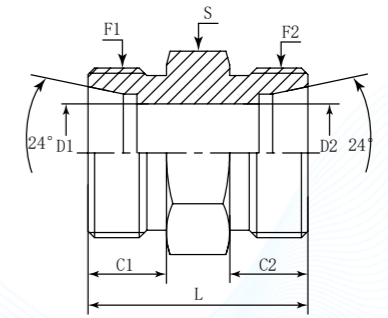
PART NUMBER	F1 (Thread)	F2 (Thread)	L1	L2	D1	D2	S
#	Metric	Metric	mm	mm	mm	mm	mm
DL-04LL	M8X1	M8X1	15.10	15.10	3.00	3.00	9.00
DL-06L	M12X1.5	M12X1.5	19.00	19.00	4.00	4.00	12.00
DL-06LL	M10X1	M10X1	15.00	15.00	4.50	4.50	9.00
DL-06S	M14X1.5	M14X1.5	23.00	23.00	4.00	4.00	12.00
DL-08L	M14X1.5	M14X1.5	21.00	21.00	6.00	6.00	12.00
DL-08LL	M12X1	M12X1	17.00	17.00	6.00	6.00	12.00
DL-08S	M16X1.5	M16X1.5	24.00	24.00	5.00	5.00	14.00
DL-10L	M16X1.5	M16X1.5	22.00	22.00	8.00	8.00	14.00
DL-10S	M18X1.5	M18X1.5	25.00	25.00	7.00	7.00	17.00
DL-12L	M18X1.5	M18X1.5	24.00	24.00	10.00	10.00	17.00
DL-12S	M20X1.5	M20X1.5	29.00	29.00	8.00	8.00	17.00
DL-14S	M22X1.5	M22X1.5	30.00	30.00	10.00	10.00	19.00
DL-15L	M22X1.5	M22X1.5	28.00	28.00	12.00	12.00	19.00
DL-16S	M24X1.5	M24X1.5	33.00	33.00	12.00	12.00	24.00
DL-18L	M26X1.5	M26X1.5	31.00	31.00	15.00	15.00	24.00
DL-20S	M30X2	M30X2	37.00	37.00	16.00	16.00	27.00
DL-22L	M30X2	M30X2	35.00	35.00	19.00	19.00	27.00
DL-25S	M36X2	M36X2	42.00	42.00	20.00	20.00	36.00
DL-28L	M36X2	M36X2	38.00	38.00	24.00	24.00	36.00
DL-30S	M42X2	M42X2	49.00	49.00	25.00	25.00	41.00
DL-35L	M45X2	M45X2	45.00	45.00	30.00	30.00	41.00
DL-38S	M52X2	M52X2	57.00	57.00	32.00	32.00	50.00
DL-42L	M52X2	M52X2	51.00	51.00	36.00	36.00	50.00

**DUR**

Straight Connector



- DME&JDE Code: DUR
- Product Type: Hydraulic adaptor
- Standard: DIN 2353
- Structure: Straight
- Thread Types: Metric x Metric



PART NUMBER	F1 (Thread)	F2 (Thread)	C	L	D1	D2	S	S1
#	Metric	Metric	mm	mm	mm	mm	mm	mm
DUR-08L-06L	M14X1.5	M12X1.5	10.00	10.00	6.00	4.00	25.00	14.00
DUR-10L-06L	M16X1.5	M12X1.5	11.00	10.00	8.00	4.00	26.00	17.00
DUR-10L-08L	M16X1.5	M14X1.5	11.00	10.00	6.00	6.00	26.00	17.00
DUR-12L-06L	M18X1.5	M12X1.5	11.00	10.00	10.00	4.00	27.00	19.00
DUR-12L-08L	M18X1.5	M14X1.5	11.00	10.00	10.00	6.00	27.00	19.00
DUR-12L-10L	M18X1.5	M16X1.5	11.00	11.00	8.00	8.00	28.00	19.00
DUR-12S-08S	M20X1.5	M16X1.5	12.00	12.00	8.00	5.00	34.00	22.00
DUR-12S-10S	M20X1.5	M18X1.5	12.00	12.00	7.00	7.00	34.00	24.00
DUR-12S-12L	M20X1.5	M18X1.5	12.00	11.00	8.00	10.00	33.00	22.00
DUR-14S-10S	M22X1.5	M18X1.5	14.00	12.00	10.00	7.00	36.00	24.00
DUR-14S-12S	M22X1.5	M20X1.5	14.00	12.00	8.00	8.00	36.00	24.00
DUR-15L-08L	M22X1.5	M14X1.5	12.00	10.00	12.00	6.00	28.00	24.00
DUR-15L-10L	M22X1.5	M16X1.5	12.00	11.00	12.00	8.00	29.00	24.00
DUR-15L-12L	M22X1.5	M18X1.5	12.00	11.00	12.00	10.00	29.00	24.00
DUR-16S-12S	M24X1.5	M20X1.5	14.00	12.00	12.00	8.00	36.00	27.00
DUR-16S-14S	M24X1.5	M22X1.5	14.00	14.00	12.00	10.00	38.00	27.00
DUR-16S-15L	M24X1.5	M22X1.5	14.00	12.00	12.00	12.00	36.00	27.00
DUR-18L-10L	M26X1.5	M16X1.5	12.00	11.00	15.00	8.00	30.00	27.00
DUR-18L-12L	M26X1.5	M18X1.5	12.00	11.00	15.00	10.00	30.00	27.00
DUR-18L-15L	M26X1.5	M22X1.5	12.00	12.00	12.00	12.00	31.00	27.00
DUR-18L-16S	M26X1.5	M24X1.5	12.00	14.00	15.00	12.00	36.00	27.00
DUR-20S-10S	M30X2	M18X1.5	16.00	12.00	7.00	7.00	40.00	32.00
DUR-20S-12S	M30X2	M20X1.5	16.00	12.00	16.00	8.00	40.00	32.00
DUR-20S-16S	M30X2	M24X1.5	16.00	14.00	16.00	12.00	42.00	32.00
DUR-22L-12L	M30X2	M18X1.5	14.00	11.00	10.00	10.00	32.00	32.00
DUR-22L-15L	M30X2	M22X1.5	14.00	12.00	19.00	12.00	33.00	32.00
DUR-22L-18L	M30X2	M26X1.5	14.00	12.00	15.00	15.00	33.00	32.00
DUR-25S-16S	M36X2	M24X1.5	18.00	14.00	20.00	12.00	46.00	41.00
DUR-25S-20S	M36X2	M30X2	18.00	16.00	16.00	16.00	48.00	41.00
DUR-28L-18L	M36X2	M26X1.5	14.00	12.00	24.00	15.00	34.00	41.00
DUR-28L-22L	M36X2	M30X2	14.00	14.00	24.00	19.00	36.00	41.00
DUR-30S-20S	M42X2	M30X2	20.00	16.00	25.00	16.00	50.00	46.00
DUR-30S-25S	M42X2	M36X2	20.00	18.00	20.00	20.00	52.00	46.00
DUR-35L-22L	M45X2	M30X2	16.00	14.00	19.00	19.00	39.00	46.00
DUR-35L-28L	M45X2	M36X2	16.00	14.00	30.00	24.00	39.00	46.00
DUR-38S-25S	M52X2	M36X2	22.00	18.00	32.00	20.00	57.00	55.00
DUR-38S-30S	M52X2	M42X2	22.00	20.00	32.00	25.00	59.00	55.00
DUR-42L-28L	M52X2	M36X2	16.00	14.00	36.00	24.00	44.50	55.00

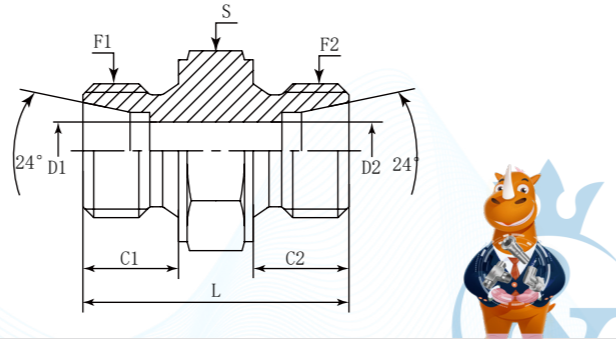


# DUR-LH

Reducing Straight Connector Large Hexagon



- DME&JDE Code: **DUR-LH**
- Product Type: **Hydraulic adaptor**
- Standard: **DIN 2353**
- Structure: **Straight**
- Thread Types: **Metric x Metric**
- Other Features: **Hexagon**



PART NUMBER	F1 (Thread)	F2 (Thread)	C1	C2	D1	D2	L	S
#	Metric	Metric	mm	mm	mm	mm	mm	mm
DUR-LH-08L-06L	M14X1.5	M12X1.5	10.00	10.00	6.00	4.00	30.00	19.00
DUR-LH-10L-08L	M16X1.5	M14X1.5	11.00	10.00	8.00	6.00	31.00	22.00
DUR-LH-12L-08L	M18X1.5	M14X1.5	11.00	10.00	10.00	6.00	33.00	24.00
DUR-LH-12L-10L	M18X1.5	M16X1.5	11.00	11.00	10.00	8.00	34.00	24.00
DUR-LH-12S-08L	M20X1.5	M14X1.5	12.00	10.00	8.00	6.00	34.00	27.00
DUR-LH-12S-10L	M20X1.5	M16X1.5	12.00	11.00	8.00	8.00	35.50	27.00
DUR-LH-12S-12L	M20X1.5	M18X1.5	12.00	11.00	8.00	10.00	35.50	27.00
DUR-LH-15L-08L	M22X1.5	M14X1.5	12.00	10.00	12.00	6.00	34.50	27.00
DUR-LH-15L-10L	M22X1.5	M16X1.5	12.00	11.00	12.00	8.00	35.50	27.00
DUR-LH-15L-12L	M22X1.5	M18X1.5	12.00	11.00	12.00	10.00	35.00	27.00
DUR-LH-15L-12S	M22X1.5	M20X1.5	12.00	12.00	12.00	8.00	36.50	27.00
DUR-LH-16S-12L	M24X1.5	M18X1.5	14.00	11.00	12.00	10.00	37.00	30.00
DUR-LH-16S-15L	M24X1.5	M22X1.5	14.00	12.00	12.00	12.00	38.00	30.00
DUR-LH-18L-12L	M26X1.5	M18X1.5	12.00	11.00	15.00	10.00	38.00	32.00
DUR-LH-18L-15L	M26X1.5	M22X1.5	12.00	12.00	15.00	12.00	39.00	32.00
DUR-LH-25S-22L	M36X2	M30X2	18.00	14.00	19.00	19.00	50.00	46.00
DUR-LH-28L-22L	M36X2	M30X2	14.00	14.00	24.00	19.00	46.00	46.00

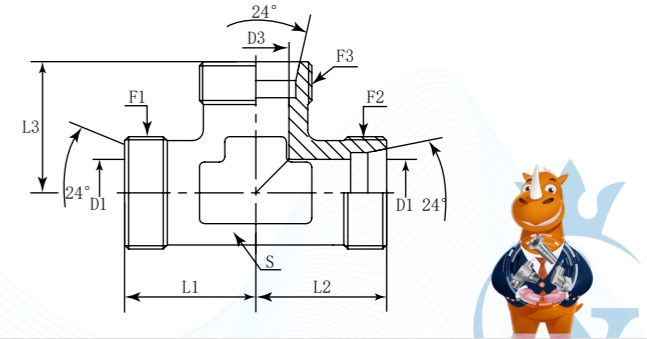


# DT

Connector Tee



- DME&JDE Code: **DT**
- Product Type: **Hydraulic adaptor**
- Standard: **DIN 2353**
- Structure: **Tee**
- Thread Types: **Metric x Metric x Metric**



PART NUMBER	F1 (Thread)	F2 (Thread)	F3 (Thread)	D1	D2	D3	L1	L2	L3	S
#	METRIC	METRIC	METRIC	mm	mm	mm	mm	mm	mm	mm
DT-04LL	M8X1	M8X1	M8X1	3.00	3.00	3.00	15.00	15.00	15.00	9
DT-06LL	M10X1	M10X1	M10X1	4.50	4.50	4.50	15.00	15.00	15.00	9
DT-06S	M14X1.5	M14X1.5	M14X1.5	4.00	4.00	4.00	23.00	23.00	23.00	12
DT-06L	M12X1.5	M12X1.5	M12X1.5	4.00	4.00	4.00	19.00	19.00	19.00	12
DT-08LL	M12X1	M12X1	M12X1	6.00	6.00	6.00	17.50	17.50	17.50	12
DT-08L	M14X1.5	M14X1.5	M14X1.5	6.00	6.00	6.00	21.00	21.00	21.00	12
DT-08S	M16X1.5	M16X1.5	M16X1.5	5.00	5.00	5.00	24.00	24.00	24.00	14
DT-10L	M16X1.5	M16X1.5	M16X1.5	8.00	8.00	8.00	22.00	22.00	22.00	14
DT-10S	M18X1.5	M18X1.5	M18X1.5	7.00	7.00	7.00	25.00	25.00	25.00	17
DT-12L	M18X1.5	M18X1.5	M18X1.5	10.00	10.00	10.00	24.00	24.00	24.00	17
DT-12S	M20X1.5	M20X1.5	M20X1.5	8.00	8.00	8.00	29.00	29.00	29.00	17
DT-14S	M22X1.5	M22X1.5	M22X1.5	10.00	10.00	10.00	30.00	30.00	30.00	19
DT-15L	M22X1.5	M22X1.5	M22X1.5	12.00	12.00	12.00	28.00	28.00	28.00	19
DT-16S	M24X1.5	M24X1.5	M24X1.5	12.00	12.00	12.00	33.00	33.00	33.00	24
DT-18L	M26X1.5	M26X1.5	M26X1.5	15.00	15.00	15.00	31.00	31.00	31.00	24
DT-20S	M30X2	M30X2	M30X2	16.00	16.00	16.00	37.00	37.00	37.00	27
DT-22L	M30X2	M30X2	M30X2	19.00	19.00	19.00	35.00	35.00	35.00	27
DT-25S	M36X2	M36X2	M36X2	20.00	20.00	20.00	42.00	42.00	42.00	36
DT-28L	M36X2	M36X2	M36X2	24.00	24.00	24.00	38.00	38.00	38.00	36
DT-30S	M42X2	M42X2	M42X2	25.00	25.00	25.00	49.00	49.00	49.00	41
DT-35L	M45X2	M45X2	M45X2	30.00	30.00	30.00	45.00	45.00	45.00	41
DT-38S	M52X2	M52X2	M52X2	32.00	32.00	32.00	57.00	57.00	57.00	50
DT-42L	M52X2	M52X2	M52X2	36.00	36.00	36.00	51.00	51.00	51.00	50



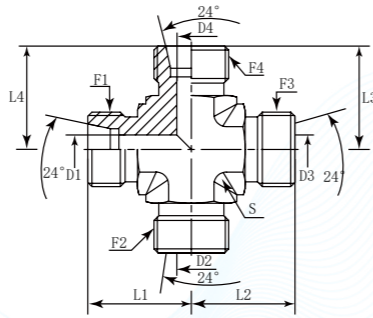


**DC**

Connector Cross



- DME&JDE Code: DC
- Product Type: Hydraulic adaptor
- Standard: DIN 2353
- Structure: Cross
- Thread Types: Metric x Metric



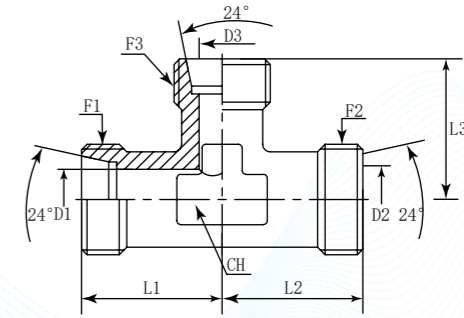
PART NUMBER	F1 (Thread)	F2 (Thread)	F3 (Thread)	F4 (Thread)	D1	D2	D3	D4	L1	L2	L3	L4	S
#	METRIC	METRIC	METRIC	METRIC	mm	mm	mm	mm	mm	mm	mm	mm	mm
DC-06L	M12X1.5	M12X1.5	M12X1.5	M12X1.5	4.00	4.00	4.00	4.00	19.00	19.00	19.00	19.00	14
DC-06S	M14X1.5	M14X1.5	M14X1.5	M14X1.5	4.00	4.00	4.00	4.00	23.00	23.00	23.00	23.00	14
DC-08L	M14X1.5	M14X1.5	M14X1.5	M14X1.5	6.00	6.00	6.00	6.00	21.00	21.00	21.00	21.00	14
DC-08S	M16X1.5	M16X1.5	M16X1.5	M16X1.5	5.00	5.00	5.00	5.00	24.00	24.00	24.00	24.00	19
DC-10L	M16X1.5	M16X1.5	M16X1.5	M16X1.5	8.00	8.00	8.00	8.00	22.00	22.00	22.00	22.00	19
DC-10S	M18X1.5	M18X1.5	M18X1.5	M18X1.5	7.00	7.00	7.00	7.00	25.00	25.00	25.00	25.00	19
DC-12L	M18X1.5	M18X1.5	M18X1.5	M18X1.5	10.00	10.00	10.00	10.00	24.00	24.00	24.00	24.00	19
DC-12S	M20X1.5	M20X1.5	M20X1.5	M20X1.5	8.00	8.00	8.00	8.00	29.00	29.00	29.00	29.00	19
DC-14S	M22X1.5	M22X1.5	M22X1.5	M22X1.5	10.00	10.00	10.00	10.00	30.00	30.00	30.00	30.00	19
DC-15L	M22X1.5	M22X1.5	M22X1.5	M22X1.5	12.00	12.00	12.00	12.00	28.00	28.00	28.00	28.00	19
DC-16S	M24X1.5	M24X1.5	M24X1.5	M24X1.5	12.00	12.00	12.00	12.00	33.00	33.00	33.00	33.00	27
DC-18L	M26X1.5	M26X1.5	M26X1.5	M26X1.5	15.00	15.00	15.00	15.00	31.00	31.00	31.00	31.00	27
DC-20S	M30X2	M30X2	M30X2	M30X2	16.00	16.00	16.00	16.00	37.00	37.00	37.00	37.00	27
DC-22L	M30X2	M30X2	M30X2	M30X2	19.00	19.00	19.00	19.00	35.00	35.00	35.00	35.00	30
DC-25S	M36X2	M36X2	M36X2	M36X2	20.00	20.00	20.00	20.00	42.00	42.00	42.00	42.00	36
DC-28L	M36X2	M36X2	M36X2	M36X2	24.00	24.00	24.00	24.00	38.00	38.00	38.00	38.00	36
DC-30S	M42X2	M42X2	M42X2	M42X2	25.00	25.00	25.00	25.00	49.00	49.00	49.00	49.00	41
DC-35L	M45X2	M45X2	M45X2	M45X2	30.00	30.00	30.00	30.00	45.00	45.00	45.00	45.00	41
DC-38S	M52X2	M52X2	M52X2	M52X2	32.00	32.00	32.00	32.00	57.00	57.00	57.00	57.00	50
DC-42L	M52X2	M52X2	M52X2	M52X2	36.00	36.00	36.00	36.00	51.00	51.00	51.00	51.00	50

**DTR**

Reducing Tee



- DME&JDE Code: DTR
- Product Type: Hydraulic adaptor
- Standard: DIN 2353
- Structure: Tee
- Connection Type: Male x Male x Male
- Thread Types: Metric x Metric x Metric



PART NUMBER	F1 (Thread)	F2 (Thread)	F3 (Thread)	D1	D2	D3	L1	L2	L3	CH
#	METRIC	METRIC	METRIC	mm	mm	mm	mm	mm	mm	mm
DTR-06L-08L-06L	M12X1.5	M14X1.5	M12X1.5	4	6	4	21	21	21	12
DTR-06L-10L-06L	M12X1.5	M16X1.5	M12X1.5	4	8	4	21	22	21	14
DTR-08L-06L-08L	M14X1.5	M12X1.5	M14X1.5	6	4	6	21	21	21	12
DTR-08L-10L-08L	M14X1.5	M16X1.5	M14X1.5	6	8	6	21	22	21	14
DTR-08L-12L-08L	M14X1.5	M18X1.5	M14X1.5	8	10	8	23	24	23	17
DTR-10L-06L-10L	M16X1.5	M12X1.5	M16X1.5	8	4	8	22	21	22	14
DTR-10L-08L-10L	M16X1.5	M14X1.5	M16X1.5	8	6	8	22	21	22	14
DTR-10L-10L-06L	M16X1.5	M16X1.5	M12X1.5	8	8	4	22	22	21	14
DTR-10L-15L-10L	M16X1.5	M22X1.5	M16X1.5	8	12	8	27	28	27	19
DTR-10S-06S-10S	M18X1.5	M14X1.5	M18X1.5	7	4	7	25	25	25	17
DTR-12L-06L-12L	M18X1.5	M12X1.5	M18X1.5	10	4	10	24	23	24	17
DTR-12L-08L-08L	M18X1.5	M14X1.5	M14X1.5	10	8	8	24	23	23	17
DTR-12L-08L-12L	M18X1.5	M14X1.5	M18X1.5	10	8	10	24	23	24	17
DTR-12L-10L-10L	M18X1.5	M16X1.5	M16X1.5	10	8	8	24	24	24	17
DTR-12L-10L-12L	M18X1.5	M16X1.5	M18X1.5	10	8	10	24	24	24	17
DTR-12L-12L-10L	M18X1.5	M18X1.5	M16X1.5	10	10	8	24	24	24	17
DTR-12L-15L-12L	M18X1.5	M22X1.5	M18X1.5	10	12	10	27	28	27	19
DTR-12L-18L-12L	M22X1.5	M26X1.5	M22X1.5	12	15	12	31	31	30	24
DTR-12S-08S-08S	M20X1.5	M16X1.5	M16X1.5	8	5	5	25	25	25	17
DTR-12S-08S-12S	M20X1.5	M16X1.5	M20X1.5	8	5	8	29	25	29	17
DTR-12S-10S-12S	M20X1.5	M18X1.5	M20X1.5	8	7	8	29	25	29	17

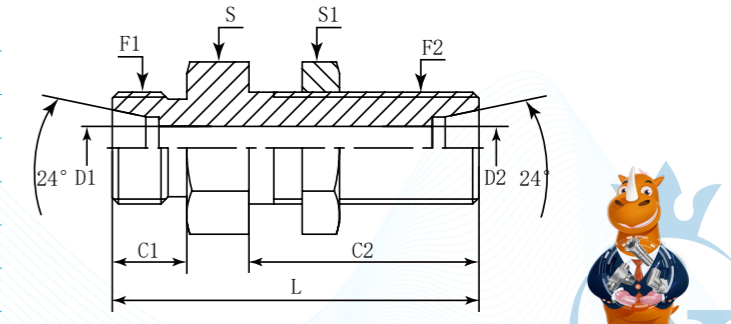
DTR-12S-16S-12S	M20X1.5	M24X1.5	M20X1.5	8	12	8	31	33	31	24
DTR-15L-06L-15L	M22X1.5	M12X1.5	M22X1.5	12	4	12	28	25	28	19
DTR-15L-10L-15L	M22X1.5	M16X1.5	M22X1.5	12	8	12	28	27	28	19
DTR-15L-12L-12L	M22X1.5	M18X1.5	M18X1.5	12	10	10	28	27	27	19
DTR-15L-12L-15L	M22X1.5	M18X1.5	M22X1.5	12	10	12	28	27	28	19
DTR-15L-15L-12L	M22X1.5	M22X1.5	M18X1.5	12	12	10	28	28	27	19
DTR-16S-06S-16S	M24X1.5	M14X1.5	M24X1.5	12	4	12	33	31	33	24
DTR-16S-08S-16S	M24X1.5	M16X1.5	M24X1.5	12	5	12	33	31	33	24
DTR-16S-10S-16S	M24X1.5	M18X1.5	M24X1.5	12	7	12	33	31	33	24
DTR-16S-12S-16S	M24X1.5	M20X1.5	M24X1.5	12	8	12	33	31	33	24
DTR-16S-20S-16S	M24X1.5	M30X2	M24X1.5	12	16	12	36	37	36	27
DTR-18L-10L-10L	M26X1.5	M16X1.5	M16X1.5	15	8	8	31	30	30	24
DTR-18L-10L-18L	M26X1.5	M16X1.5	M26X1.5	15	8	15	31	30	31	24
DTR-18L-12L-18L	M26X1.5	M18X1.5	M26X1.5	15	10	15	31	30	31	24
DTR-18L-15L-18L	M26X1.5	M22X1.5	M26X1.5	15	12	15	31	31	31	24
DTR-18L-18L-10L	M26X1.5	M26X1.5	M16X1.5	15	15	8	31	31	30	24
DTR-20S-10S-20S	M30X2	M18X1.5	M30X2	16	7	16	37	34	37	27
DTR-20S-12S-20S	M30X2	M20X1.5	M30X2	16	8	16	37	34	37	27
DTR-20S-16S-20S	M30X2	M24X1.5	M30X2	16	12	16	37	36	37	27
DTR-20S-25S-20S	M30X2	M36X2	M30X2	16	20	16	40	42	40	36
DTR-22L-10L-22L	M30X2	M16X1.5	M30X2	19	8	19	35	33	35	27
DTR-22L-12L-22L	M30X2	M18X1.5	M30X2	19	10	19	35	33	35	27
DTR-22L-15L-15L	M30X2	M22X1.5	M22X1.5	19	12	12	35	34	34	27
DTR-22L-15L-22L	M30X2	M22X1.5	M30X2	19	12	19	35	34	35	27
DTR-22L-18L-18L	M30X2	M26X1.5	M26X1.5	19	15	15	35	34	34	27
DTR-22L-18L-22L	M30X2	M26X1.5	M30X2	19	15	19	35	34	35	27
DTR-22L-22L-18L	M30X2	M30X2	M26X1.5	19	19	15	35	35	34	27
DTR-25S-16S-25S	M36X2	M24X1.5	M36X2	20	12	20	42	39	42	36
DTR-25S-20S-25S	M36X2	M30X2	M36X2	20	16	20	42	40	42	36
DTR-25S-30S-25S	M36X2	M42X2	M36X2	20	25	20	47	49	47	41
DTR-28L-10L-28L	M36X2	M16X1.5	M36X2	24	8	24	38	36	38	36
DTR-28L-12L-28L	M36X2	M18X1.5	M36X2	24	10	24	38	36	38	36
DTR-28L-15L-28L	M36X2	M22X1.5	M36X2	24	12	24	38	37	38	36
DTR-28L-18L-28L	M36X2	M26X1.5	M36X2	24	15	24	38	37	38	36
DTR-28L-22L-22L	M36X2	M30X2	M30X2	24	19	19	38	38	38	36
DTR-28L-22L-28L	M36X2	M30X2	M36X2	24	19	24	38	38	38	36

## DBU

### Bulkhead Connector



- DME&JDE Code:** DBU
- Product Type:** Hydraulic adaptor
- Standard:** DIN 2353
- Structure:** Straight
- Connection Type:** Male
- Thread Types:** Metric
- Other Features:** Bulkhead



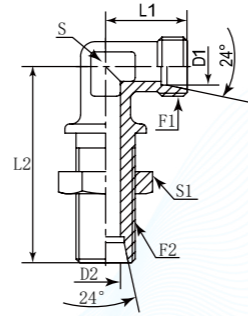
PART NUMBER	F1/F2 (Thread)	C1	C2	D1/D2	L	S	S1
#	Metric	mm	mm	mm	mm	mm	mm
DBU-06L	M12X1.5	10.00	34.00	4.00	48.00	17.00	17.00
DBU-06S	M14X1.5	12.00	36.00	4.00	55.00	19.00	19.00
DBU-08L	M14X1.5	10.00	34.00	6.00	49.00	19.00	19.00
DBU-08S	M16X1.5	12.00	36.00	5.00	56.00	22.00	22.00
DBU-10L	M16X1.5	11.00	35.00	8.00	52.00	22.00	22.00
DBU-10S	M18X1.5	12.00	37.00	7.00	59.00	24.00	24.00
DBU-12L	M18X1.5	11.00	36.00	10.00	53.00	24.00	24.00
DBU-12S	M20X1.5	12.00	38.00	8.00	60.00	27.00	27.00
DBU-14S	M22X1.5	14.00	40.00	10.00	65.00	30.00	30.00
DBU-15L	M22X1.5	12.00	38.00	12.00	57.00	27.00	30.00
DBU-16S	M24X1.5	14.00	40.00	12.00	65.00	32.00	32.00
DBU-18L	M26X1.5	12.00	40.00	15.00	61.00	32.00	36.00
DBU-20S	M30X2	16.00	44.00	16.00	72.00	41.00	41.00
DBU-22L	M30X2	14.00	42.00	19.00	66.00	36.00	41.00
DBU-25S	M36X2	18.00	47.00	20.00	79.00	46.00	46.00
DBU-28L	M36X2	14.00	43.00	24.00	70.00	41.00	46.00
DBU-30S	M42X2	20.00	51.00	25.00	86.00	50.00	50.00
DBU-35L	M45X2	16.00	47.00	30.00	76.00	50.00	55.00
DBU-38S	M52X2	22.00	53.00	32.00	91.00	65.00	65.00
DBU-42L	M52X2	16.00	47.00	36.00	77.00	60.00	65.00

**DBL**

Bulkhead Connector Elbow



- DME&JDE Code: DBL
- Product Type: Hydraulic adaptor
- Standard: DIN 2353
- Structure: 90° Elbow
- Connection Type: Male
- Thread Types: Metric
- Other Features: Bulkhead



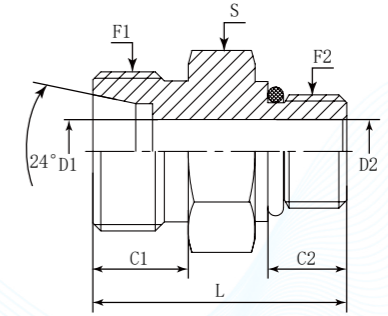
PART NUMBER	F1/F2 (Thread)	D1/D2	L1	L2	S	S1
#	Metric	mm	mm	mm	mm	mm
DBL-06L	M12X1.5	4.00	19.00	48.00	12.00	17.00
DBL-06S	M14X1.5	4.00	23.00	53.00	12.00	19.00
DBL-08L	M14X1.5	6.00	21.00	51.00	12.00	19.00
DBL-08S	M16X1.5	5.00	24.00	54.00	14.00	22.00
DBL-10L	M16X1.5	8.00	22.00	53.00	14.00	22.00
DBL-10S	M18X1.5	7.00	25.00	57.00	17.00	24.00
DBL-12L	M18X1.5	10.00	24.00	56.00	17.00	24.00
DBL-12S	M20X1.5	8.00	29.00	59.00	17.00	27.00
DBL-14S	M22X1.5	10.00	30.00	63.00	19.00	30.00
DBL-15L	M22X1.5	12.00	28.00	61.00	19.00	30.00
DBL-16S	M24X1.5	12.00	33.00	64.00	24.00	32.00
DBL-18L	M26X1.5	15.00	31.00	64.00	24.00	36.00
DBL-20S	M30X2	16.00	37.00	74.00	27.00	41.00
DBL-22L	M30X2	19.00	35.00	72.00	27.00	41.00
DBL-25S	M36X2	20.00	42.00	81.00	36.00	46.00
DBL-28L	M36X2	24.00	38.00	77.00	36.00	46.00
DBL-30S	M42X2	25.00	49.00	90.00	41.00	50.00
DBL-35L	M45X2	30.00	45.00	86.00	48.00	55.00
DBL-38S	M52X2	32.00	57.00	96.00	50.00	65.00
DBL-42L	M52X2	36.00	51.00	90.00	50.00	65.00

**DOM-U**

Male Connector(JIC Male) with O Ring



- DME&JDE Code: DOM-U
- Product Type: Hydraulic adaptor
- Standard: DIN 2353
- Structure: Straight
- Connection Type: Male
- Thread Type: Metric x UNF
- Sealing Type: O Ring



PART NUMBER	F1 (Thread)	F2 (Thread)	C1	C2	D1	D2	L	S
#	METRIC	UNF	mm	mm	mm	mm	mm	mm
DOM-06L-04U	M12X1.5	7/16"-20	10.00	9.14	4.00	4.00	26.00	14
DOM-06L-06U	M12X1.5	9/16"-18	10.00	9.93	4.00	7.54	29.50	17
DOM-06S-05U	M14X1.5	1/2"-20	12.00	9.14	4.00	5.94	29.00	17
DOM-08L-04U	M14X1.5	7/16"-20	10.00	9.14	6.00	4.37	26.00	14
DOM-08L-05U	M14X1.5	1/2"-20	10.00	9.14	5.94	5.94	26.70	17
DOM-08L-06U	M14X1.5	9/16"-18	10.00	9.93	6.00	6.00	27.50	17
DOM-08L-08U	M14X1.5	3/4"-16	10.00	11.13	6.00	9.93	30.00	22
DOM-08S-04U	M16X1.5	7/16"-20	12.00	9.14	4.37	4.37	31.00	17
DOM-08S-05U	M16X1.5	1/2"-20	12.00	9.14	5.94	5.94	31.00	17
DOM-08S-06U	M16X1.5	9/16"-18	12.00	9.93	5.00	7.54	31.00	19
DOM-10L-04U	M16X1.5	7/16"-20	11.00	9.14	4.37	4.37	27.00	17
DOM-10L-05U	M16X1.5	1/2"-20	11.00	9.14	8.00	5.94	27.00	17
DOM-10L-06U	M16X1.5	9/16"-18	11.00	9.93	8.00	8.00	31.00	19
DOM-10L-08U	M16X1.5	3/4"-16	11.00	11.13	8.00	8.00	30.00	24
DOM-10L-10U	M16X1.5	7/8"-14	11.00	12.70	8.00	8.00	34.00	27
DOM-10S-06U	M18X1.5	9/16"-18	12.00	10.00	7.00	7.00	32.00	19
DOM-10S-08U	M18X1.5	3/4"-16	12.00	11.13	7.00	9.93	36.00	22
DOM-12L-04U	M18X1.5	7/16"-20	11.00	9.14	10.00	4.37	27.50	19
DOM-12L-06U	M18X1.5	9/16"-18	11.00	9.93	7.54	7.54	28.00	19
DOM-12L-08U	M18X1.5	3/4"-16	11.00	11.13	10.00	10.00	31.00	24
DOM-12L-10U	M18X1.5	7/8"-14	11.00	12.70	10.00	10.00	34.00	27
DOM-12S-04U	M20X1.5	7/16"-20	12.00	9.14	8.00	4.37	31.00	22





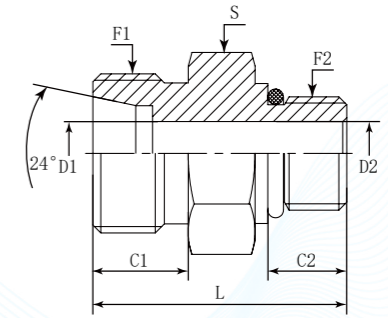
DOM-12S-05U	M20X1.5	1/2"-20	12.00	9.14	8.00	5.94	32.00	22
DOM-12S-06U	M20X1.5	9/16"-18	12.00	9.93	8.00	8.00	32.00	22
DOM-12S-08U	M20X1.5	3/4"-16	12.00	11.13	8.00	9.93	36.00	24
DOM-12S-10U	M20X1.5	7/8"-14	12.00	12.70	8.00	12.30	38.00	27
DOM-12S-12U	M20X1.5	1 1/16"-12	12.00	15.09	8.00	15.47	40.50	32
DOM-14S-08U	M22X1.5	3/4"-16	14.00	11.13	9.93	9.93	35.00	24
DOM-15L-06U	M22X1.5	9/16"-18	12.00	9.93	12.00	7.54	32.00	24
DOM-15L-08U	M22X1.5	3/4"-16	12.00	11.13	12.00	9.93	32.00	24
DOM-15L-10U	M22X1.5	7/8"-14	12.00	12.70	12.00	12.00	35.00	27
DOM-15L-12U	M22X1.5	1 1/16"-12	12.00	15.09	12.00	15.47	40.00	32
DOM-16S-08U	M24X1.5	3/4"-16	14.00	11.13	12.00	9.93	35.00	24
DOM-16S-10U	M24X1.5	7/8"-14	14.00	12.70	12.00	12.00	40.00	27
DOM-16S-12U	M24X1.5	1 1/16"-12	14.00	15.09	12.00	12.00	42.00	32
DOM-18L-08U	M26X1.5	3/4"-16	12.00	11.13	15.00	9.93	33.00	27
DOM-18L-10U	M26X1.5	7/8"-14	12.00	12.70	12.30	12.30	35.00	27
DOM-20S-06U	M30X2	9/16"-18	16.00	9.93	16.00	7.54	41.00	32
DOM-20S-08U	M30X2	3/4"-16	16.00	11.13	16.00	9.93	42.50	32
DOM-20S-10U	M30X2	7/8"-14	16.00	12.70	16.00	12.29	44.00	32
DOM-20S-12U	M30X2	1 1/16"-12	16.00	15.09	15.47	15.47	46.00	32
DOM-22L-08U	M30X2	3/4"-16	14.00	11.13	19.00	9.93	35.50	32
DOM-22L-10U	M30X2	7/8"-14	14.00	12.70	19.00	12.29	37.00	32
DOM-22L-12U	M30X2	1 1/16"-12	14.00	15.09	19.00	15.47	39.00	32
DOM-22L-16U	M30X2	1 5/16"-12	14.00	15.09	19.00	19.00	40.00	41
DOM-25S-10U	M36X2	7/8"-14	18.00	12.70	20.00	12.29	47.00	36
DOM-25S-12U	M36X2	1 1/16"-12	18.00	15.09	20.00	15.00	50.00	36
DOM-25S-16U	M36X2	1 5/16"-12	18.00	15.09	20.00	20.00	50.00	41
DOM-28L-10U	M36X2	7/8"-14	14.00	12.70	24.00	12.30	38.50	41
DOM-28L-12U	M36X2	1 1/16"-12	14.00	15.09	24.00	15.47	40.00	41
DOM-28L-16U	M36X2	1 5/16"-12	14.00	15.09	21.44	21.44	40.00	41
DOM-30S-16U	M42X2	1 5/16"-12	20.00	15.09	25.00	21.44	52.00	46
DOM-30S-20U	M42X2	1 5/8"-12	20.00	15.09	25.00	27.38	52.00	50
DOM-35L-16U	M45X2	1 5/16"-12	16.00	15.09	30.00	21.44	43.00	46
DOM-35L-20U	M45X2	1 5/8"-12	16.00	15.09	30.00	27.38	43.00	50
DOM-38S-20U	M52X2	1 5/8"-12	22.00	15.09	32.00	27.38	56.50	55
DOM-38S-24U	M52X2	1 7/8"-12	22.00	15.09	32.00	32.00	57.00	55
DOM-42L-20U	M52X2	1 5/8"-12	16.00	15.09	36.00	27.38	45.00	55
DOM-42L-24U	M52X2	1 7/8"-12	16.00	15.09	36.00	33.32	45.00	55

## DOM-M

### DIN2353 Male Connector Metric Male with O Ring



- DME&JDE Code:** DOM-M
- Product Type:** Hydraulic adaptor
- Standard:** DIN 2353
- Structure:** Straight
- Connection Type:** Male x Male
- Thread Type:** Metric x UNF
- Sealing Type:** O Ring



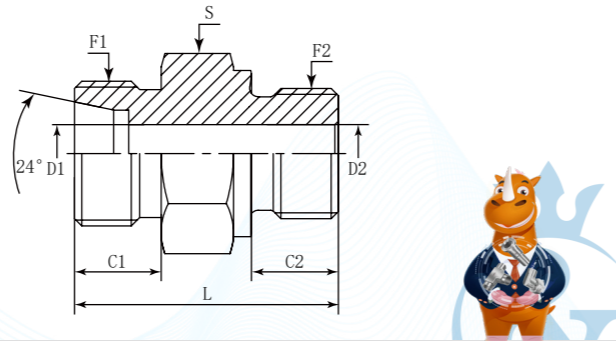
PART NUMBER	F1 (Thread)	F2 (Thread)	C1	C2	D1	D2	L	S
#	METRIC	UNF	mm	mm	mm	mm	mm	mm
DOM-06L-M10	M12X1.5	M10X1	10.00	8.50	4.00	4.00	25.00	14
DOM-06S-M10	M14X1.5	M10X1	12.00	9.50	3.00	3.00	28.00	14
DOM-06S-M12	M14X1.5	M12X1.5	12.00	11.00	3.00	4.00	30.00	17
DOM-08L-M12	M14X1.5	M12X1.5	10.00	11.00	6.00	6.00	28.00	17
DOM-08S-M12	M16X1.5	M12X1.5	12.00	11.00	4.00	4.00	31.00	17
DOM-08S-M14	M16X1.5	M14X1.5	12.00	11.00	6.00	6.00	32.00	19
DOM-10L-M12	M16X1.5	M12X1.5	11.00	11.00	6.00	6.00	29.00	17
DOM-10L-M14	M16X1.5	M14X1.5	11.00	11.00	6.00	7.50	30.00	19
DOM-10S-M16	M18X1.5	M16X1.5	12.00	12.50	7.00	7.00	34.50	22
DOM-10S-M18	M18X1.5	M18X1.5	12.00	14.00	7.00	9.00	36.00	24
DOM-12L-M14	M18X1.5	M14X1.5	11.00	11.00	10.00	7.50	30.50	19
DOM-12L-M16	M18X1.5	M16X1.5	11.00	12.50	10.00	7.00	31.00	22
DOM-12S-M18	M20X1.5	M18X1.5	12.00	14.00	8.00	8.00	36.50	24
DOM-14S-M18	M22X1.5	M18X1.5	14.00	14.00	10.00	9.00	38.50	24
DOM-14S-M20	M22X1.5	M20X1.5	14.00	10.00	10.00	10.00	39.00	24
DOM-15L-M18	M22X1.5	M18X1.5	12.00	12.50	11.00	11.00	33.00	24
DOM-15L-M27	M22X1.5	M27X2	12.00	16.00	12.00	18.00	39.50	32
DOM-16S-M22	M24X1.5	M22X1.5	14.00	15.00	12.00	12.00	39.00	27
DOM-18L-M22	M26X1.5	M22X1.5	12.00	15.00	14.00	12.00	35.00	27
DOM-20S-M27	M30X2	M27X2	16.00	18.50	15.00	15.00	49.50	32
DOM-22L-M27	M30X2	M27X2	14.00	16.00	18.00	18.00	40.00	32
DOM-22L-M33	M30X2	M33X2	14.00	16.00	19.00	23.00	41.00	41
DOM-25S-M30	M36X2	M30X2	18.00	18.50	20.00	17.00	48.00	36
DOM-25S-M33	M36X2	M33X2	18.00	18.50	20.00	20.00	49.00	41
DOM-28L-M33	M36X2	M33X2	14.00	16.00	24.00	23.00	41.00	41
DOM-28L-M42	M36X2	M42X2	14.00	16.00	24.00	30.00	41.00	50
DOM-28L-M48	M36X2	M48X2	14.00	17.50	24.00	36.00	44.00	55
DOM-30S-M33	M42X2	M33X2	20.00	18.50	25.00	20.00	53.50	46
DOM-30S-M42	M42X2	M42X2	20.00	19.00	25.00	26.00	56.00	50
DOM-35L-M42	M45X2	M42X2	16.00	16.00	30.00	30.00	45.00	50
DOM-35L-M48	M45X2	M48X2	16.00	17.50	30.00	36.00	46.00	55
DOM-38S-M42	M52X2	M42X2	22.00	19.00	32.00	26.00	57.00	55
DOM-38S-M48	M52X2	M48X2	22.00	21.50	32.00	32.00	59.50	55
DOM-42L-M48	M52X2	M48X2	16.00	17.50	36.00	36.00	46.00	55

# DMC-G

Male Connector (BSPP Male) with Cutting Face



- DME&JDE Code:** DMC-G
- Product Type:** Hydraulic adaptor
- Standard:** DIN 2353
- Structure:** Straight
- Connection Type:** Male x Male
- Thread Types:** Metric x BSPP + Cutting Face



PART NUMBER	F1 (Thread)	F2 (Thread)	C	L	D1	D2	S	S1
#	Metric	BSPP	mm	mm	mm	mm	mm	mm
DMC-06L-01G	M12X1.5	1/8"-28	10.00	8.00	4.00	4.00	23.50	14.00
DMC-06L-02G	M12X1.5	1/4"-19	10.00	12.00	4.00	7.50	29.00	19.00
DMC-06L-03G	M12X1.5	3/8"-19	10.00	12.00	4.00	9.90	30.50	22.00
DMC-06S-02G	M14X1.5	1/4"-19	12.00	12.00	4.00	7.50	32.00	19.00
DMC-08L-01G	M14X1.5	1/8"-28	10.00	8.00	6.00	4.00	25.00	14.00
DMC-08L-02G	M14X1.5	1/4"-19	10.00	12.00	6.00	6.00	29.00	19.00
DMC-08L-03G	M14X1.5	3/8"-19	10.00	12.00	6.00	6.00	30.50	22.00
DMC-08L-04G	M14X1.5	1/2"-14	10.00	14.00	6.00	12.00	33.00	27.00
DMC-08S-02G	M16X1.5	1/4"-19	12.00	12.00	5.00	7.50	34.00	19.00
DMC-10L-01G	M16X1.5	1/8"-28	11.00	8.00	8.00	4.00	26.00	17.00
DMC-10L-02G	M16X1.5	1/4"-19	11.00	12.00	7.50	7.50	30.00	19.00
DMC-10L-03G	M16X1.5	3/8"-19	11.00	12.00	8.00	8.00	31.50	22.00
DMC-10L-04G	M16X1.5	1/2"-14	11.00	14.00	8.00	8.00	34.00	27.00
DMC-10S-02G	M18X1.5	1/4"-19	12.00	12.00	7.00	7.00	34.00	19.00
DMC-10S-04G	M18X1.5	1/2"-14	12.00	14.00	7.00	7.00	39.00	27.00
DMC-12L-02G	M18X1.5	1/4"-19	11.00	12.00	10.00	7.50	31.00	19.00
DMC-12L-03G	M18X1.5	3/8"-19	11.00	12.00	9.00	9.00	31.50	22.00

Web: <https://www.dmejde.com>  
E-mail: [info@dmejde.com](mailto:info@dmejde.com)



DMC-12L-04G	M18X1.5	1/2"-14	11.00	14.00	10.00	10.00	34.00	27.00
DMC-12S-03G	M20X1.5	3/8"-19	12.00	12.00	8.00	8.00	36.50	22.00
DMC-12S-04G	M20X1.5	1/2"-14	12.00	14.00	8.00	12.30	39.00	27.00
DMC-14S-04G	M22X1.5	1/2"-14	14.00	14.00	10.00	10.00	41.00	27.00
DMC-15L-03G	M22X1.5	3/8"-19	12.00	12.00	12.00	9.90	32.50	24.00
DMC-15L-04G	M22X1.5	1/2"-14	12.00	14.00	12.00	12.00	35.00	27.00
DMC-15L-06G	M22X1.5	3/4"-14	12.00	16.00	12.00	15.50	38.00	32.00
DMC-16S-03G	M24X1.5	3/8"-19	14.00	12.00	12.00	9.00	39.00	27.00
DMC-16S-04G	M24X1.5	1/2"-14	14.00	14.00	12.00	12.00	41.00	27.00
DMC-16S-06G	M24X1.5	3/4"-14	14.00	16.00	12.00	15.50	45.00	32.00
DMC-18L-04G	M26X1.5	1/2"-14	12.00	14.00	15.00	12.30	36.00	27.00
DMC-18L-06G	M26X1.5	3/4"-14	12.00	16.00	15.00	15.00	38.00	32.00
DMC-20S-04G	M30X2	1/2"-14	16.00	14.00	16.00	12.30	45.00	32.00
DMC-20S-06G	M30X2	3/4"-14	16.00	16.00	15.50	15.50	47.00	32.00
DMC-20S-08G	M30X2	1"-11	16.00	18.00	16.00	21.50	51.00	41.00
DMC-22L-04G	M30X2	1/2"-14	14.00	14.00	19.00	12.30	38.00	32.00
DMC-22L-06G	M30X2	3/4"-14	14.00	16.00	19.00	15.50	40.00	32.00
DMC-22L-08G	M30X2	1"-11	14.00	18.00	19.00	23.00	43.00	41.00
DMC-25S-04G	M36X2	1/2"-14	18.00	14.00	20.00	12.00	49.00	41.00
DMC-25S-06G	M36X2	3/4"-14	18.00	16.00	20.00	15.50	51.00	41.00
DMC-25S-08G	M36X2	1"-11	18.00	18.00	20.00	20.00	53.00	41.00
DMC-28L-06G	M36X2	3/4"-14	14.00	16.00	24.00	15.50	41.00	41.00
DMC-28L-08G	M36X2	1"-11	14.00	18.00	24.00	21.50	43.00	41.00
DMC-30S-06G	M42X2	3/4"-14	20.00	16.00	25.00	15.50	53.00	46.00
DMC-30S-08G	M42X2	1"-11	20.00	18.00	25.00	21.50	55.00	46.00
DMC-35L-08G	M45X2	1"-11	16.00	18.00	30.00	21.50	47.00	46.00
DMC-35L-10G	M45X2	1 1/4"-11	16.00	20.00	30.00	30.00	48.00	50.00
DMC-38S-08G	M52X2	1"-11	22.00	18.00	32.00	21.50	60.00	55.00
DMC-38S-10G	M52X2	1-1/4"-11	22.00	20.00	32.00	25.00	62.00	55.00
DMC-38S-12G	M52X2	1-1/2"-11	22.00	22.00	32.00	32.00	64.00	55.00
DMC-42L-12G	M52X2	1-1/2"-11	16.00	22.00	36.00	36.00	52.00	55.00



Web: <https://www.dmejde.com>  
E-mail: [info@dmejde.com](mailto:info@dmejde.com)

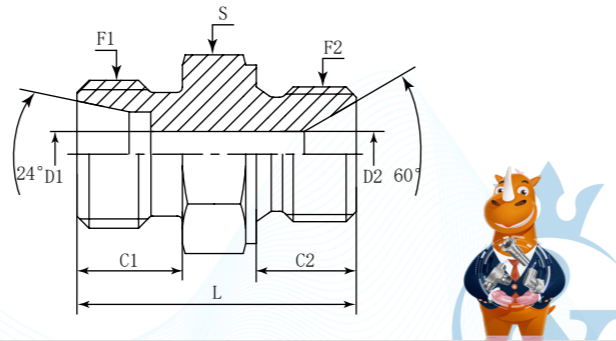


## DMC-G-60

Male Connector (BSPP Male) with 60° Cone Seal



- DME&JDE Code: **DMC-G-60**
- Product Type: **Hydraulic adaptor**
- Standard: **DIN 2353**
- Structure: **Straight**
- Connection Type: **Male x Male**
- Thread Types: **Metric x BSPP 60° Cone**



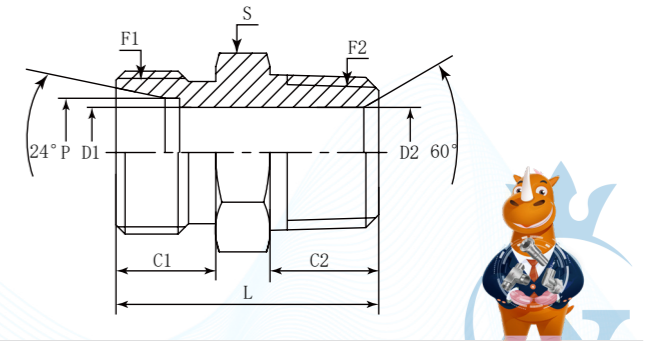
PART NUMBER	F1 (Thread)	F2 (Thread)	C1	C2	D1	D2	L	S
#	Metric	BSPP	mm	mm	mm	mm	mm	mm
DMC-06L-01G-60	M12X1.5	1/8"-28	10.00	8.00	3.50	3.50	23.00	14.00
DMC-06L-02G-60	M12X1.5	1/4"-19	10.00	9.00	3.50	3.50	26.00	19.00
DMC-08L-02G-60	M14X1.5	1/4"-19	10.00	9.00	3.50	6.00	26.00	19.00
DMC-08L-03G-60	M14X1.5	3/8"-19	10.00	12.00	6.00	6.00	30.00	22.00
DMC-10L-03G-60	M16X1.5	3/8"-19	11.00	12.00	8.00	8.00	31.00	22.00
DMC-10S-04G-60	M18X1.5	1/2"-14	12.00	14.00	11.10	7.00	36.00	27.00
DMC-12L-04G-60	M18X1.5	1/2"-14	11.00	14.00	10.00	10.00	35.00	27.00
DMC-12S-04G-60	M20X1.5	1/2"-14	12.00	14.00	11.10	8.00	36.00	27.00
DMC-16S-03G-60	M24X1.5	3/8"-19	14.00	12.00	7.90	12.00	36.00	27.00
DMC-16S-04G-60	M24X1.5	1/2"-14	14.00	14.00	11.10	11.10	38.00	27.00
DMC-18L-04G-60	M26X1.5	1/2"-14	12.00	14.00	11.10	15.00	39.00	27.00
DMC-20S-06G-60	M30X2	3/4"-14	16.00	16.00	16.00	16.00	43.00	32.00

## DMC-R

Male Connector (BSPT 60° Male) with Form C Stud End



- DME&JDE Code: **DMC-R**
- Product Type: **Hydraulic adaptor**
- Standard: **DIN 2353**
- Structure: **Straight**
- Connection Type: **Male x Male**
- Thread Type: **Metric x BSPT 60°**



PART NUMBER	F1 (Thread)	F2 (Thread)	P	C1	C2	D1	D2	L	S
#	Metric	BSPT	mm	mm	mm	mm	mm	mm	mm
DMC-04LL-01R	M8X1	1/8"-28	4.10	8.00	10.00	3.00	4.50	23.50	12.00
DMC-06L-01R	M12X1.5	1/8"-28	6.00	10.00	10.00	4.00	4.00	24.00	12.00
DMC-06L-02R	M12X1.5	1/4"-19	6.00	10.00	14.00	4.00	6.00	28.00	17.00
DMC-06L-03R	M12X1.5	3/8"-19	6.00	10.00	15.00	4.00	9.00	32.00	19.00
DMC-06LL-01R	M10X1	1/8"-28	6.00	8.00	8.00	4.50	4.50	20.00	11.00
DMC-06S-01R	M14X1.5	1/8"-28	6.00	12.00	10.00	4.00	4.00	28.00	14.00
DMC-06S-02R	M14X1.5	1/4"-19	6.00	12.00	14.00	4.00	5.94	33.00	17.00
DMC-08L-01R	M14X1.5	1/8"-28	8.00	10.00	10.00	6.00	4.50	26.00	14.00
DMC-08L-02R	M14X1.5	1/4"-19	8.00	10.00	14.00	5.94	5.94	30.00	17.00
DMC-08L-03R	M14X1.5	3/8"-19	8.00	10.00	15.00	6.00	9.00	32.50	19.00
DMC-08L-04R	M14X1.5	1/2"-14	8.00	10.00	19.00	6.00	12.00	36.00	22.00
DMC-08LL-01R	M12X1	1/8"-28	8.00	9.00	10.00	4.50	4.50	25.00	12.00
DMC-08S-02R	M16X1.5	1/4"-19	8.00	12.00	14.00	5.00	5.00	32.00	17.00
DMC-10L-01R	M16X1.5	1/8"-28	10.00	11.00	10.00	8.00	4.50	26.00	17.00
DMC-10L-02R	M16X1.5	1/4"-19	10.00	11.00	14.00	6.00	6.00	28.50	17.00
DMC-10L-03R	M16X1.5	3/8"-19	10.00	11.00	14.00	8.00	8.00	31.00	19.00
DMC-10L-04R	M16X1.5	1/2"-14	10.00	11.00	14.00	8.00	12.00	32.00	22.00





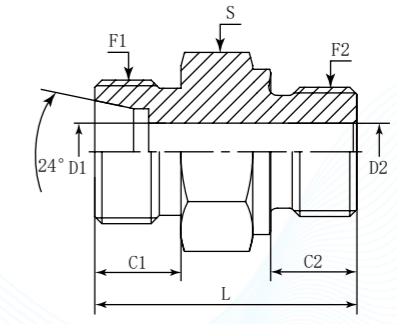
DMC-10S-02R	M18X1.5	1/4"-19	10.00	12.00	14.00	6.00	6.00	34.00	19.00
DMC-10S-03R	M18X1.5	3/8"-19	10.00	12.00	15.00	7.00	7.00	35.00	19.00
DMC-10S-04R	M18X1.5	1/2"-14	10.00	12.00	19.00	7.00	12.00	41.00	22.00
DMC-12L-02R	M18X1.5	1/4"-19	12.00	11.00	12.50	10.00	6.00	30.00	19.00
DMC-12L-03R	M18X1.5	3/8"-19	12.00	11.00	12.00	9.00	9.00	30.00	19.00
DMC-12L-04R	M18X1.5	1/2"-14	12.00	11.00	16.00	10.00	10.00	33.00	24.00
DMC-12S-02R	M20X1.5	1/4"-19	12.00	12.00	14.00	8.00	6.00	36.00	22.00
DMC-12S-03R	M20X1.5	3/8"-19	12.00	12.00	15.00	8.00	8.00	35.00	22.00
DMC-12S-04R	M20X1.5	1/2"-14	12.00	12.00	14.00	8.00	12.00	36.00	22.00
DMC-14S-03R	M22X1.5	3/8"-19	14.00	14.00	15.00	9.00	9.00	38.00	24.00
DMC-14S-04R	M22X1.5	1/2"-14	14.00	14.00	19.00	10.00	12.00	43.00	24.00
DMC-15L-04R	M22X1.5	1/2"-14	15.00	12.00	16.00	12.00	12.00	34.00	24.00
DMC-16S-03R	M24X1.5	3/8"-19	16.00	14.00	15.00	12.00	9.00	39.50	27.00
DMC-16S-04R	M24X1.5	1/2"-14	16.00	14.00	16.00	12.00	12.00	40.00	27.00
DMC-18L-04R	M26X1.5	1/2"-14	18.00	12.00	19.00	15.00	12.00	38.50	27.00
DMC-18L-06R	M26X1.5	3/4"-14	18.00	12.00	16.00	15.00	15.00	35.00	32.00
DMC-20S-04R	M30X2	1/2"-14	20.00	16.00	19.00	16.00	12.00	46.00	32.00
DMC-20S-06R	M30X2	3/4"-14	20.00	16.00	20.00	16.00	16.00	48.00	32.00
DMC-22L-06R	M30X2	3/4"-14	22.00	14.00	20.00	16.70	16.70	41.00	32.00
DMC-25S-04R	M36X2	1/2"-14	25.00	18.00	19.00	20.00	12.00	50.00	41.00
DMC-25S-06R	M36X2	3/4"-14	25.00	18.00	20.00	20.00	16.70	51.00	41.00
DMC-25S-08R	M36X2	1"-11	25.00	18.00	24.00	20.00	22.20	56.00	41.00
DMC-28L-08R	M36X2	1"-11	28.00	14.00	24.00	23.00	23.00	48.00	41.00
DMC-30S-08R	M42X2	1"-11	30.00	20.00	24.00	25.00	22.20	58.00	46.00
DMC-30S-10R	M42X2	1-1/4"-11	30.00	20.00	25.00	25.00	28.60	60.00	46.00
DMC-35L-10R	M45X2	1-1/4"-11	35.30	16.00	25.00	28.60	28.60	51.00	46.00
DMC-38S-12R	M52X2	1-1/2"-11	38.30	22.00	25.00	32.00	32.00	64.00	55.00
DMC-42L-12R	M52X2	1-1/2"-11	42.30	16.00	25.00	36.00	33.30	52.00	55.00

## DMC-M

Metric Male Connector with Cutting Face



- DME&JDE Code:** DMC-M
- Product Type:** Hydraulic adaptor
- Standard:** DIN 2353
- Structure:** Straight
- Connection Type:** Male x Male
- Thread Type:** Metric x Metric



Filter the F1 Thread through selecting the -XX options

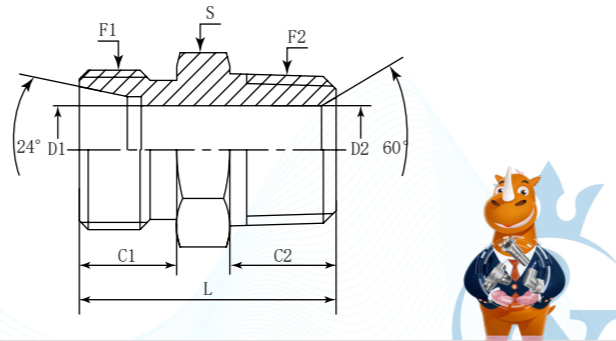
PART NUMBER	F1 (Thread)	F2 (Thread)	C1	C2	D1	D2	L	S
#	Metric	Metric	mm	mm	mm	mm	mm	mm
DMC-06L-M10	M12X1.5	M10X1	10.00	8.00	4.00	4.00	23.50	14.00
DMC-06S-M12	M14X1.5	M12X1.5	12.00	12.00	4.00	4.00	32.00	17.00
DMC-08L-M12	M14X1.5	M12X1.5	10.00	12.00	6.00	6.00	29.00	17.00
DMC-08L-M14	M14X1.5	M14X1.5	10.00	12.00	6.00	6.00	29.00	19.00
DMC-08L-M16	M14X1.5	M16X1.5	10.00	12.00	6.00	8.00	30.00	22.00
DMC-08L-M18	M14X1.5	M18X1.5	10.00	12.00	6.00	8.00	30.50	24.00
DMC-08L-M22	M14X1.5	M22X1.5	10.00	14.00	6.00	14.00	33.00	27.00
DMC-08S-M14	M16X1.5	M14X1.5	12.00	12.00	5.00	5.00	34.00	19.00
DMC-10L-M14	M16X1.5	M14X1.5	11.00	12.00	6.00	6.00	30.00	19.00
DMC-10L-M16	M16X1.5	M16X1.5	11.00	12.00	8.00	8.00	31.00	22.00
DMC-10L-M18	M16X1.5	M18X1.5	11.00	12.00	8.00	8.00	31.50	24.00
DMC-10L-M22	M16X1.5	M22X1.5	11.00	14.00	8.00	14.00	35.00	27.00
DMC-10S-M16	M18X1.5	M16X1.5	12.00	12.00	7.00	7.00	34.50	22.00
DMC-12L-M14	M18X1.5	M14X1.5	11.00	12.00	10.00	7.50	30.00	19.00
DMC-12L-M16	M18X1.5	M16X1.5	11.00	12.00	8.00	8.00	31.50	22.00
DMC-12L-M18	M18X1.5	M18X1.5	11.00	12.00	10.00	10.00	31.50	24.00
DMC-12L-M22	M18X1.5	M22X1.5	11.00	14.00	10.00	10.00	35.00	27.00
DMC-12S-M18	M20X1.5	M18X1.5	12.00	12.00	8.00	8.00	36.50	24.00
DMC-14S-M20	M22X1.5	M20X1.5	14.00	14.00	10.00	10.00	41.00	27.00
DMC-15L-M18	M22X1.5	M18X1.5	12.00	12.00	10.00	10.00	32.50	24.00
DMC-15L-M22	M22X1.5	M22X1.5	12.00	14.00	12.00	12.00	36.00	27.00
DMC-16S-M22	M24X1.5	M22X1.5	14.00	14.00	12.00	12.00	41.00	27.00
DMC-18L-M22	M26X1.5	M22X1.5	12.00	14.00	15.00	15.00	36.00	27.00
DMC-18L-M26	M26X1.5	M26X1.5	12.00	16.00	15.00	15.00	38.00	32.00
DMC-20S-M27	M30X2	M27X2	16.00	16.00	16.00	16.00	47.00	32.00
DMC-25S-M33	M36X2	M33X2	18.00	18.00	20.00	20.00	53.00	41.00
DMC-22L-M26	M30X2	M26X1.5	14.00	16.00	17.00	17.00	40.00	32.00
DMC-28L-M33	M36X2	M33X2	14.00	18.00	23.00	23.00	43.00	41.00
DMC-30S-M42	M42X2	M42X2	20.00	20.00	25.00	25.00	57.00	50.00
DMC-35L-M42	M45X2	M42X2	16.00	20.00	30.00	30.00	48.00	50.00
DMC-38S-M48	M52X2	M48X2	22.00	22.00	32.00	32.00	64.00	55.00
DMC-42L-M48	M52X2	M48X2	16.00	22.00	36.00	36.00	52.00	55.00

# DMC-N

Male Connector (NPTF 60°Male) with Form C Stud End



- DME&JDE Code:** DMC-N
- Product Type:** Hydraulic adaptor
- Standard:** DIN 2353
- Structure:** Straight
- Connection Type:** Male x Male
- Thread Types:** Metric x NPTF 60°



PART NUMBER	F1 (Thread)	F2 (Thread)	C1	C2	D1	D2	L	S
#	Metric	NPTF	mm	mm	mm	mm	mm	mm
DMC-04LL-01N	M8X1	1/8"-27	8.00	9.65	3.00	3.00	23.50	12.00
DMC-06L-01N	M12X1.5	1/8"-27	10.00	9.65	4.00	4.00	24.00	12.00
DMC-06L-02N	M12X1.5	1/4"-18	10.00	14.22	4.00	7.14	31.50	14.00
DMC-06LL-01N	M10X1	1/8"-27	8.00	9.65	4.50	4.50	22.00	11.00
DMC-06LL-02N	M10X1	1/4"-18	8.00	14.22	4.50	7.14	29.50	14.00
DMC-06S-02N	M14X1.5	1/4"-18	12.00	14.22	4.00	7.14	34.50	17.00
DMC-08L-01N	M14X1.5	1/8"-27	10.00	9.65	6.00	4.00	26.00	14.00
DMC-08L-02N	M14X1.5	1/4"-18	10.00	14.22	6.00	7.14	30.00	17.00
DMC-08L-03N	M14X1.5	3/8"-18	10.00	14.22	6.00	10.31	32.00	19.00
DMC-08L-04N	M14X1.5	1/2"-14	10.00	19.05	6.00	13.49	36.00	22.00
DMC-08LL-01N	M12X1	1/8"-27	9.00	9.65	4.78	4.78	25.00	12.00
DMC-08S-02N	M16X1.5	1/4"-18	12.00	14.22	5.00	7.14	32.00	17.00
DMC-08S-03N	M16X1.5	3/8"-18	12.00	14.22	5.00	10.31	36.00	19.00
DMC-08S-04N	M16X1.5	1/2"-14	12.00	19.05	5.00	13.49	41.00	22.00
DMC-10L-01N	M16X1.5	1/8"-27	11.00	9.65	8.00	4.00	26.00	17.00
DMC-10L-02N	M16X1.5	1/4"-18	11.00	14.22	8.00	7.14	31.00	17.00
DMC-10L-03N	M16X1.5	3/8"-18	11.00	14.22	8.00	10.31	32.00	19.00
DMC-10L-04N	M16X1.5	1/2"-14	11.00	19.05	8.00	13.49	37.00	22.00
DMC-10S-02N	M18X1.5	1/4"-18	12.00	14.22	7.00	7.00	34.00	19.00
DMC-10S-03N	M18X1.5	3/8"-18	12.00	14.22	7.00	10.31	35.00	19.00
DMC-10S-04N	M18X1.5	1/2"-14	12.00	19.05	7.00	13.49	41.00	22.00
DMC-12L-02N	M18X1.5	1/4"-18	11.00	14.22	10.00	7.14	32.00	19.00
DMC-12L-03N	M18X1.5	3/8"-18	11.00	14.22	10.00	10.00	32.00	19.00
DMC-12L-04N	M18X1.5	1/2"-14	11.00	19.05	10.00	13.49	37.00	22.00

Web: <https://www.dmejde.com>  
E-mail: [info@dmejde.com](mailto:info@dmejde.com)



DMC-12L-06N	M18X1.5	3/4"-14	11.00	19.05	10.00	18.26	38.00	27.00
DMC-12S-02N	M20X1.5	1/4"-18	12.00	14.22	7.14	7.14	37.00	22.00
DMC-12S-03N	M20X1.5	3/8"-18	12.00	14.22	8.00	10.31	37.20	22.00
DMC-12S-04N	M20X1.5	1/2"-14	12.00	19.05	8.00	13.49	42.00	22.00
DMC-12S-06N	M20X1.5	3/4"-14	12.00	19.05	8.00	18.26	40.00	27.00
DMC-14S-03N	M22X1.5	3/8"-18	14.00	14.22	10.00	10.00	38.00	24.00
DMC-14S-04N	M22X1.5	1/2"-14	14.00	19.05	10.00	13.49	44.00	24.00
DMC-15L-03N	M22X1.5	3/8"-18	12.00	14.22	12.00	10.31	33.00	24.00
DMC-15L-04N	M22X1.5	1/2"-14	12.00	19.05	12.00	12.00	38.00	24.00
DMC-15L-06N	M22X1.5	3/4"-14	12.00	19.05	12.00	18.26	39.00	30.00
DMC-16S-03N	M24X1.5	3/8"-18	14.00	14.22	12.00	10.31	39.00	27.00
DMC-16S-04N	M24X1.5	1/2"-14	14.00	19.05	12.00	13.49	44.00	27.00
DMC-16S-06N	M24X1.5	3/4"-14	14.00	19.05	12.00	18.26	46.00	32.00
DMC-16S-08N	M24X1.5	1"-11-1/2	4.00	23.88	12.00	23.83	52.00	36.00
DMC-18L-03N	M26X1.5	3/8"-18	12.00	14.22	15.00	10.31	37.00	27.00
DMC-18L-04N	M26X1.5	1/2"-14	12.00	19.05	15.00	13.49	41.00	27.00
DMC-18L-06N	M26X1.5	3/4"-14	12.00	19.05	15.00	18.26	38.00	27.00
DMC-20S-04N	M30X2	1/2"-14	16.00	19.05	13.50	13.50	46.00	32.00
DMC-20S-06N	M30X2	3/4"-14	16.00	19.05	16.00	18.26	48.00	32.00
DMC-20S-08N	M30X2	1"-11-1/2	16.00	23.88	16.00	21.00	51.50	36.00
DMC-22L-04N	M30X2	1/2"-14	14.00	19.05	19.00	13.49	41.00	32.00
DMC-22L-06N	M30X2	3/4"-14	14.00	19.05	18.26	18.26	41.00	32.00
DMC-22L-08N	M30X2	1"-11-1/2	14.00	23.88	19.00	19.00	49.50	36.00
DMC-25S-06N	M36X2	3/4"-14	18.00	19.05	20.00	18.26	51.00	41.00
DMC-25S-08N	M36X2	1"-11-1/2	18.00	23.88	20.00	23.83	56.00	41.00
DMC-25S-10N	M36X2	1-1/4"-11-1/2	18.00	24.64	20.00	31.75	56.50	46.00
DMC-25S-12N	M36X2	1-1/2"-11-1/2	18.00	25.40	20.00	38.10	60.50	50.00
DMC-28L-06N	M36X2	3/4"-14	14.00	19.05	24.00	18.26	42.00	41.00
DMC-28L-08N	M36X2	1"-11-1/2	14.00	23.88	23.83	23.83	48.00	41.00
DMC-28L-10N	M36X2	1-1/4"-11-1/2	14.00	24.64	24.00	31.75	48.00	46.00
DMC-30S-06N	M42X2	3/4"-14	20.00	19.05	25.00	18.26	53.00	46.00
DMC-30S-08N	M42X2	1"-11-1/2	20.00	23.88	25.00	23.83	58.00	46.00
DMC-30S-10N	M42X2	1-1/4"-11-1/2	20.00	25.50	25.00	25.00	60.00	46.00
DMC-30S-12N	M42X2	1-1/2"-11-1/2	20.00	25.40	25.00	38.10	62.00	50.80
DMC-35L-08N	M45X2	1"-11-1/2	16.00	23.88	30.00	23.83	49.00	46.00
DMC-35L-10N	M45X2	1-1/4"-11-1/2	16.00	24.64	30.00	30.00	51.00	46.00
DMC-38S-10N	M52X2	1-1/4"-11-1/2	22.00	24.64	31.75	31.75	64.00	55.00
DMC-38S-12N	M52X2	1-1/2"-11-1/2	22.00	25.40	32.00	38.10	64.50	55.00
DMC-42L-10N	M52X2	1-1/4"-11-1/2	16.00	24.64	36.00	31.75	55.00	55.00
DMC-42L-12N	M52X2	1-1/2"-11-1/2	16.00	25.40	36.00	38.10	52.50	55.00



Web: <https://www.dmejde.com>  
E-mail: [info@dmejde.com](mailto:info@dmejde.com)

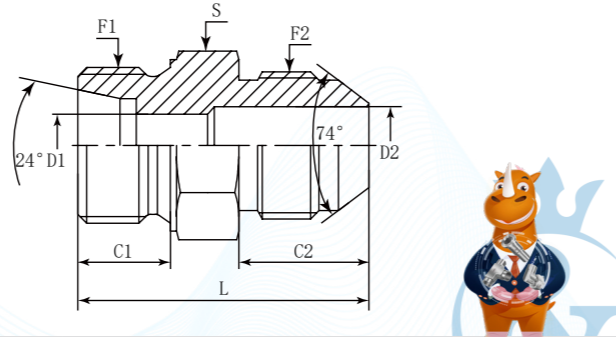


# DMC-JC

Male Connector (JIC male)



- DME&JDE Code:** DMC-JC
- Product Type:** Hydraulic adaptor
- Standard:** DIN 2353
- Structure:** Straight
- Connection Type:** Male x Male
- Thread Types:** Metric x UNF



PART NUMBER	F1 (Thread)	F2 (Thread)	C	L	D1	D2	S	S1
#	Metric	UNF	mm	mm	mm	mm	mm	mm
DMC-04LL-04JC	M8X1	7/16"-20	8.00	13.97	3.00	4.37	29.00	12.00
DMC-06L-04JC	M12X1.5	7/16"-20	10.00	13.97	4.00	4.00	30.00	14.00
DMC-06S-04JC	M14X1.5	7/16"-20	12.00	13.97	4.00	4.00	33.00	19.00
DMC-06S-06JC	M14X1.5	9/16"-18	12.00	14.12	4.00	7.54	35.00	19.00
DMC-08L-04JC	M14X1.5	7/16"-20	10.00	13.97	6.00	4.37	30.00	14.00
DMC-08L-06JC	M14X1.5	9/16"-18	10.00	14.22	6.00	7.54	31.00	15.88
DMC-08LL-04JC	M12X1	7/16"-20	9.00	13.97	4.37	4.37	31.00	17.00
DMC-08LL-06JC	M12X1	9/16"-18	9.00	14.12	6.00	7.54	31.00	17.00
DMC-08S-04JC	M16X1.5	7/16"-20	12.00	13.97	4.37	4.37	36.00	22.00
DMC-08S-06JC	M16X1.5	9/16"-18	12.00	14.12	5.00	7.54	36.00	22.00
DMC-10L-04JC	M16X1.5	7/16"-20	11.00	13.97	8.00	4.37	32.00	22.00
DMC-10L-06JC	M16X1.5	9/16"-18	11.00	14.12	7.54	7.54	32.50	17.00
DMC-10L-08JC	M16X1.5	3/4"-16	11.00	16.69	8.00	9.93	37.50	22.00
DMC-10LL-04JC	M14X1.5	7/16"-20	11.00	13.97	8.00	4.37	32.00	19.00
DMC-10S-04JC	M18X1.5	7/16"-20	12.00	13.97	7.00	4.37	35.00	24.00
DMC-10S-06JC	M18X1.5	9/16"-18	12.00	14.12	7.00	7.00	35.00	24.00
DMC-10S-08JC	M18X1.5	3/4"-16	12.00	16.69	7.00	9.93	38.00	24.00
DMC-12L-06JC	M18X1.5	9/16"-18	11.00	14.12	10.00	7.54	32.00	19.00
DMC-12L-08JC	M18X1.5	3/4"-16	11.00	16.69	9.93	9.93	39.00	24.00

Web: <https://www.dmejde.com>  
E-mail: [info@dmejde.com](mailto:info@dmejde.com)



DMC-12S-06JC	M20X1.5	9/16"-18	12.00	14.12	7.54	7.54	36.10	22.00
DMC-12S-08JC	M20X1.5	3/4"-16	12.00	16.69	8.00	9.93	38.50	22.00
DMC-12S-10JC	M20X1.5	7/8"-14	12.00	19.25	8.00	12.29	41.50	27.00
DMC-14S-06JC	M22X1.5	9/16"-18	14.00	14.12	10.00	7.54	40.00	27.00
DMC-14S-08JC	M22X1.5	3/4"-16	14.00	16.69	9.93	9.93	41.00	27.00
DMC-14S-10JC	M22X1.5	7/8"-14	14.00	19.25	10.00	12.29	43.50	27.00
DMC-15L-06JC	M22X1.5	9/16"-18	12.00	14.12	12.00	7.54	36.00	27.00
DMC-15L-08JC	M22X1.5	3/4"-16	12.00	16.69	12.00	9.93	39.00	27.00
DMC-15L-10JC	M22X1.5	7/8"-14	12.00	19.25	12.00	12.00	38.50	24.00
DMC-15L-12JC	M22X1.5	1-1/16"-12	12.00	21.95	12.00	15.47	44.50	27.00
DMC-16L-12JC	M24X1.5	1-1/16"-12	12.00	21.95	12.00	15.47	45.00	30.00
DMC-16S-08JC	M24X1.5	3/4"-16	14.00	16.69	12.00	9.93	42.00	30.00
DMC-16S-10JC	M24X1.5	7/8"-14	14.00	19.25	12.00	12.00	45.50	30.00
DMC-16S-12JC	M24X1.5	1-1/16"-12	14.00	21.95	12.00	15.47	47.50	30.00
DMC-18L-08JC	M26X1.5	3/4"-16	12.00	16.69	15.00	9.93	41.00	32.00
DMC-18L-10JC	M26X1.5	7/8"-14	12.00	19.25	15.00	12.29	43.50	32.00
DMC-18L-12JC	M26X1.5	1-1/16"-12	12.00	21.95	15.00	15.00	48.00	32.00
DMC-20S-10JC	M30X2	7/8"-14	16.00	19.25	16.00	12.29	49.00	36.00
DMC-20S-12JC	M30X2	1-1/16"-12	16.00	21.95	15.47	15.47	50.00	36.00
DMC-22L-12JC	M30X2	1-1/16"-12	14.00	21.95	19.00	15.47	47.80	36.00
DMC-22L-16JC	M30X2	1-5/16"-12	14.00	23.14	19.00	21.44	49.00	36.00
DMC-25S-12JC	M36X2	1-1/16"-12	18.00	21.95	20.00	15.47	54.00	41.00
DMC-25S-16JC	M36X2	1-5/16"-12	18.00	23.14	20.00	20.00	53.50	41.00
DMC-25S-20JC	M36X2	1-5/8"-12	18.00	24.33	20.00	27.38	54.50	46.00
DMC-27L-20JC	M38X1.5	1-5/8"-12	14.00	24.33	23.00	23.00	52.00	46.00
DMC-27L-24JC	M38X1.5	1-7/8"-12	14.00	27.51	23.00	33.32	56.00	50.00
DMC-28L-16JC	M36X2	1-5/16"-12	14.00	23.14	24.00	21.44	51.00	41.00
DMC-30S-16JC	M42X2	1-5/16"-12	20.00	23.14	25.00	21.44	58.00	50.00
DMC-35L-20JC	M45X2	1-5/8"-12	16.00	24.33	30.00	27.38	57.00	55.00
DMC-38S-20JC	M52X2	1-5/8"-12	22.00	24.33	32.00	27.38	64.00	60.00
DMC-38S-32JC	M52X2	2-1/2"-12	22.00	33.86	32.00	45.25	74.50	65.00
DMC-42L-20JC	M52X2	1-5/8"-12	16.00	24.33	36.00	27.38	58.00	60.00



Web: <https://www.dmejde.com>  
E-mail: [info@dmejde.com](mailto:info@dmejde.com)



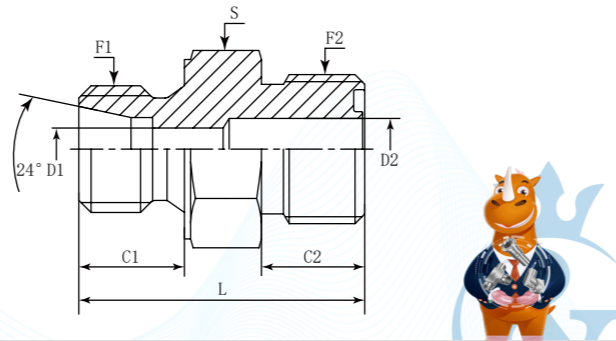


## DMC-FS

DIN2353 Male Connector ORFS Male



- DME&JDE Code: **DMC-FS**
- Product Type: **Hydraulic adaptor**
- Standard: **DIN 2353**
- Structure: **Straight**
- Connection Type: **Male x Male**
- Thread Types: **Metric x UNF**



PART NUMBER	F1 (Thread)	F2 (Thread)	C1	C2	D1	D2	L	S
#	METRIC	UNF	mm	mm	mm	mm	mm	mm
DMC-06L-04FS	M12 x 1.5	9/16"-18	10.00	9.80	4.00	4.00	30.00	17
DMC-06S-04FS	M14 x 1.5	9/16"-18	12.00	9.80	4.00	4.00	32.50	19
DMC-08L-04FS	M14 x 1.5	9/16"-18	10.00	9.80	4.37	4.37	30.00	19
DMC-08L-06FS	M14 x 1.5	11/16"-16	10.00	11.20	6.00	6.00	31.50	19
DMC-08S-04FS	M16 x 1.5	9/16"-18	12.00	9.80	4.37	4.37	32.50	22
DMC-08S-06FS	M16 x 1.5	11/16"-16	12.00	11.20	5.00	5.00	34.00	22
DMC-10L-06FS	M16 x 1.5	11/16"-16	11.00	11.20	6.71	6.71	32.00	22
DMC-10L-08FS	M16 x 1.5	13/16"-16	11.00	12.80	8.00	8.00	34.00	22
DMC-10S-06FS	M18 x 1.5	11/16"-16	12.00	11.20	6.71	6.71	34.00	24
DMC-12L-06FS	M18 x 1.5	11/16"-16	11.00	11.20	10.00	6.71	32.50	24
DMC-12L-08FS	M18 x 1.5	13/16"-16	11.00	12.80	9.60	9.60	34.00	24
DMC-12L-12FS	M18 x 1.5	13/16"-12	11.00	17.02	10.00	15.47	41.50	32
DMC-12S-08FS	M20 x 1.5	13/16"-16	12.00	12.80	8.00	8.00	37.00	27
DMC-12S-10FS	M20 x 1.5	1"-14	12.00	15.49	8.00	12.29	39.50	27
DMC-14S-08FS	M22 x 1.5	13/16"-16	14.00	12.80	9.60	9.60	39.00	27
DMC-14S-10FS	M22 x 1.5	1"-14	14.00	15.50	10.00	12.50	44.00	27
DMC-15L-08FS	M22 x 1.5	13/16"-16	12.00	12.80	12.00	9.60	37.00	27
DMC-15L-10FS	M22 x 1.5	1"-14	12.00	15.50	12.00	12.00	39.00	27
DMC-16S-10FS	M24 x 1.5	1"-14	14.00	15.50	12.00	12.00	44.00	27
DMC-18L-08FS	M26 x 1.5	13/16"-16	12.00	13.00	15.00	9.50	42.00	32
DMC-18L-12FS	M26 x 1.5	13/16"-12	12.00	17.02	15.00	15.00	42.00	32
DMC-20S-12FS	M30 x 2	13/16"-12	16.00	17.02	15.47	15.47	47.00	36
DMC-22L-12FS	M30 x 2	13/16"-12	14.00	17.02	19.00	15.47	45.00	36
DMC-22L-16FS	M30 x 2	17/16"-12	14.00	17.50	19.00	19.00	46.00	38
DMC-25S-12FS	M36 x 2	13/16"-12	18.00	17.02	20.00	15.47	52.00	42
DMC-25S-16FS	M36 x 2	17/16"-12	18.00	17.50	20.00	20.00	52.50	42
DMC-28L-12FS	M36 x 2	13/16"-12	14.00	17.02	24.00	15.47	48.00	42
DMC-28L-16FS	M36 x 2	17/16"-12	14.00	17.50	24.00	20.60	48.50	42
DMC-28L-20FS	M36 x 2	111/16"-12	14.00	17.50	24.00	26.00	48.00	46
DMC-30S-16FS	M42 x 2	17/16"-12	20.00	17.50	25.00	20.60	54.50	50
DMC-30S-20FS	M42 x 2	111/16"-12	20.00	17.50	25.00	25.00	54.00	46
DMC-35L-16FS	M45 x 2	17/16"-12	16.00	17.50	30.00	20.60	53.50	55
DMC-35L-24FS	M45 x 2	2"-12	16.00	17.50	30.00	32.00	51.50	55
DMC-38S-24FS	M52 x 2	2"-12	22.00	17.50	32.00	32.00	57.50	55
DMC-42L-24FS	M52 x 2	2"-12	16.00	17.50	36.00	32.00	51.50	55

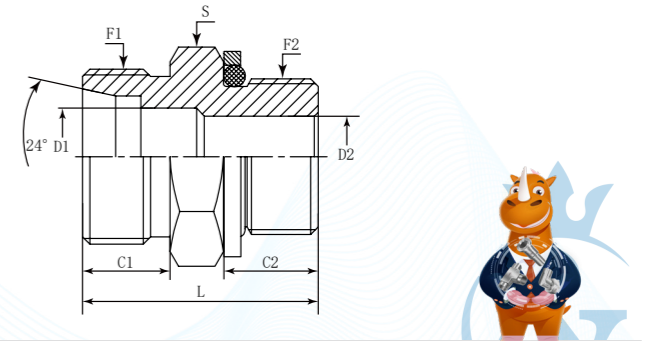


## DMC-GQ

DIN 2353 Male Connector (BSPP Male) with O Ring and Retaining Ring



- DME&JDE Code: **DMC-GQ**
- Product Type: **Hydraulic adaptor**
- Standard: **DIN 2353**
- Structure: **Straight**
- Connection Type: **Male x Male**
- Thread Type: **Metric x BSPP**
- Sealing Method: **O Ring + Retaining Ring**



PART NUMBER	F1 (Thread)	F2 (Thread)	C1	C2	D1	D2	L	S
#	METRIC	BSPP	mm	mm	mm	mm	mm	mm
DMC-06L-01GQ	M12X1.5	1/8"-28	10.00	7.60	4.00	4.00	22.50	14
DMC-06L-02GQ	M12X1.5	1/4"-19	10.00	11.20	4.00	7.50	30.00	19
DMC-06S-02GQ	M14X1.5	1/4"-19	12.00	11.20	4.00	6.50	30.00	19
DMC-08L-02GQ	M14X1.5	1/4"-19	10.00	11.20	6.00	6.00	27.00	19
DMC-08S-02GQ	M14X1.5	3/8"-19	10.00	11.20	6.00	6.00	30.00	22
DMC-08S-02GQ	M16X1.5	1/4"-19	12.00	11.20	5.00	7.50	32.00	19
DMC-10L-02GQ	M16X1.5	1/4"-19	11.00	11.20	7.50	7.50	29.00	19
DMC-10L-03GQ	M16X1.5	3/8"-19	11.00	11.20	8.00	8.00	30.00	22
DMC-10S-02GQ	M18X1.5	1/4"-19	12.00	11.20	7.00	7.00	32.00	19
DMC-10S-03GQ	M18X1.5	3/8"-19	12.00	11.20	7.00	9.90	32.50	22
DMC-12L-03GQ	M18X1.5	3/8"-19	11.00	11.20	9.90	9.90	30.00	22
DMC-12L-04GQ	M18X1.5	1/2"-14	11.00	14.50	10.00	12.00	34.50	27
DMC-12S-03GQ	M20X1.5	3/8"-19	12.00	11.20	8.00	8.00	36.00	22
DMC-12S-04GQ	M20X1.5	1/2"-14	12.00	14.50	8.00	12.00	39.00	27
DMC-14S-04GQ	M22X1.5	1/2"-14	14.00	14.50	10.00	12.00	39.00	27
DMC-15L-03GQ	M22X1.5	3/8"-19	12.00	11.20	12.00	7.50	31.00	24
DMC-15L-04GQ	M22X1.5	1/2"-14	12.00	14.50	12.00	12.00	34.50	27
DMC-16S-04GQ	M24X1.5	1/2"-14	14.00	14.50	12.00	12.00	38.50	27
DMC-18L-04GQ	M26X1.5	1/2"-14	12.00	14.50	15.00	12.00	36.00	27
DMC-18L-06GQ	M26X1.5	3/4"-14	12.00	14.50	15.00	15.00	37.50	36
DMC-20S-06GQ	M30X2	3/4"-14	16.00	15.50	16.00	16.00	45.00	36
DMC-22L-06GQ	M30X2	3/4"-14	14.00	15.50	19.00	15.50	39.50	36
DMC-25S-06GQ	M36X2	3/4"-14	18.00	15.50	20.00	15.50	49.50	41
DMC-25S-08GQ	M36X2	1"-11	18.00	18.60	20.00	20.00	50.50	41
DMC-28L-08GQ	M36X2	1"-11	14.00	18.60	24.00	21.50	41.00	41
DMC-30S-10GQ	M42X2	11/4"-11	20.00	18.60	25.00	27.50	53.10	50
DMC-35L-10GQ	M45X2	11/4"-11	16.00	18.60	30.00	27.50	48.00	50
DMC-38S-12GQ	M52X2	11/2"-11	22.00	18.60	32.00	32.00	58.10	55
DMC-42L-12GQ	M52X2	11/2"-11	16.00	18.60	36.00	33.00	49.50	55

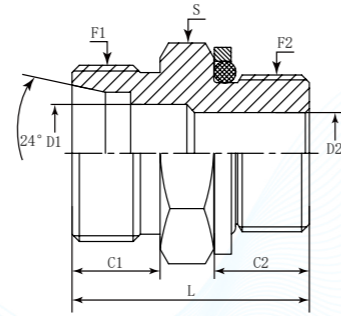


## DMC-MQ

DIN 2353 Male Connector Metric Male with O Ring and Retaining Ring



- DME&JDE Code: **DMC-MQ**
- Product Type: **Hydraulic adaptor**
- Standard: **DIN 2353**
- Structure: **Straight**
- Connection Type: **Male x Male**
- Thread Types: **Metric x Metric**
- Sealing Method: **O Ring + Retaining Ring**



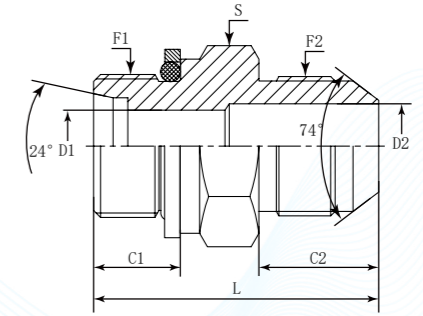
PART NUMBER	F1 (Thread)	F2 (Thread)	C1	C2	D1	D2	L	S
#	METRIC	METRIC	mm	mm	mm	mm	mm	mm
DMC-06L-M10Q	M12X1.5	M10X1	10.00	8.00	4.00	4.00	23.50	14
DMC-06S-M12Q	M14X1.5	M12X1.5	12.00	11.00	4.00	6.00	29.50	17
DMC-08L-M12Q	M14X1.5	M12X1.5	10.00	11.00	6.00	6.00	26.50	17
DMC-08S-M14Q	M16X1.5	M14X1.5	12.00	11.00	5.00	5.00	31.50	19
DMC-10L-M14Q	M16X1.5	M14X1.5	11.00	11.00	7.50	7.50	30.00	19
DMC-10L-M22Q	M16X1.5	M22X1.5	11.00	13.00	8.00	14.00	34.50	27
DMC-10S-M16Q	M18X1.5	M16X1.5	12.00	11.50	7.00	9.00	33.50	22
DMC-12L-M16Q	M18X1.5	M16X1.5	11.00	11.50	10.00	7.00	31.00	22
DMC-12L-M22Q	M18X1.5	M22X1.5	11.00	13.00	10.00	14.00	34.50	27
DMC-12S-M18Q	M20X1.5	M18X1.5	12.00	14.00	8.00	8.00	36.00	24
DMC-14S-M20Q	M22X1.5	M20X1.5	14.00	14.00	10.00	12.00	39.50	27
DMC-15L-M18Q	M22X1.5	M18X1.5	12.00	12.00	10.00	10.00	33.00	24
DMC-15L-M22Q	M22X1.5	M22X1.5	12.00	13.00	12.00	12.00	35.00	27
DMC-16S-M22Q	M24X1.5	M22X1.5	14.00	13.00	12.00	12.00	37.00	27
DMC-18L-M22Q	M26X1.5	M22X1.5	12.00	13.00	14.00	14.00	35.00	27
DMC-20S-M27Q	M30X2	M27X2	16.00	18.50	16.00	16.00	47.00	32
DMC-22L-M22Q	M30X2	M22X1.5	14.00	13.00	19.00	14.00	38.00	32
DMC-22L-M26Q	M30X2	M26X1.5	14.00	16.00	19.00	17.00	40.50	32
DMC-22L-M27Q	M30X2	M27X2	14.00	18.00	18.00	13.00	40.50	32
DMC-25S-M33Q	M36X2	M33X2	18.00	18.50	20.00	20.00	51.50	41
DMC-28L-M33Q	M36X2	M33X2	14.00	16.00	23.00	23.00	41.00	41
DMC-30S-M42Q	M42X2	M42X2	20.00	16.00	25.00	30.00	54.00	50
DMC-35L-M42Q	M45X2	M42X2	16.00	16.00	30.00	30.00	45.00	50
DMC-38S-M48Q	M52X2	M48X2	22.00	17.50	32.00	36.00	61.50	55
DMC-42L-M48Q	M52X2	M48X2	16.00	17.50	36.00	36.00	49.50	55

## DMCQ-JC

DIN 2353 Male Connector O Ring and Retaining Ring (JIC male)



- DME&JDE Code: **DMCQ-JC**
- Product Type: **Hydraulic adaptor**
- Standard: **DIN 2353**
- Structure: **Straight**
- Connection Type: **Male x Male**
- Thread Type: **Metric x UNF**
- Sealing Method: **O Ring + Retaining Ring**



PART NUMBER	F1 (Thread)	F2 (Thread)	C1	C2	D1	D2	L	S
#	METRIC	UNF	mm	mm	mm	mm	mm	mm
DMCQ-06LL-04JC	M10X1	7/16"-20	8.00	13.97	4.37	4.37	30.50	14
DMCQ-06L-04JC	M12X1.5	7/16"-20	11.00	13.97	4.00	4.00	35.00	19
DMCQ-06S-04JC	M14X1.5	7/16"-20	12.00	13.97	4.00	4.00	34.00	17
DMCQ-08LL-04JC	M12X1	7/16"-20	11.00	13.97	5.30	4.37	32.50	17
DMCQ-08LL-06JC	M12X1	9/16"-18	11.00	14.12	5.30	7.54	33.00	17
DMCQ-08L-04JC	M14X1.5	7/16"-20	11.00	13.97	6.00	4.37	35.00	19
DMCQ-08L-06JC	M14X1.5	9/16"-18	11.00	14.12	6.00	7.54	35.00	19
DMCQ-08S-04JC	M16X1.5	7/16"-20	12.00	13.97	4.37	4.37	34.00	17
DMCQ-08S-06JC	M16X1.5	9/16"-18	11.50	14.12	5.00	5.00	34.50	22
DMCQ-10LL-04JC	M14X1.5	7/16"-20	11.00	13.97	8.00	4.37	33.50	19
DMCQ-10L-06JC	M16X1.5	9/16"-18	11.00	14.12	7.54	7.54	35.00	22
DMCQ-10L-08JC	M16X1.5	3/4"-16	11.00	16.69	8.00	8.00	38.00	22
DMCQ-10S-06JC	M18X1.5	9/16"-18	12.50	14.12	7.00	7.00	35.50	24
DMCQ-10S-08JC	M18X1.5	3/4"-16	12.00	16.69	7.00	9.93	38.00	22
DMCQ-12L-06JC	M18X1.5	9/16"-18	12.00	14.12	10.00	7.54	37.50	24
DMCQ-12L-08JC	M18X1.5	3/4"-16	11.00	16.69	9.93	9.93	37.00	24



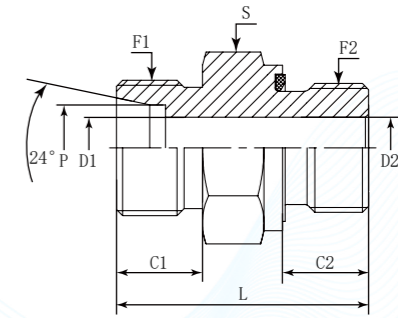
DMCQ-12S-06JC	M20X1.5	9/16"-18	12.50	14.12	7.54	7.54	36.00	27
DMCQ-12S-08JC	M20X1.5	3/4"-16	12.50	16.69	8.00	9.93	38.50	27
DMCQ-12S-10JC	M20X1.5	7/8"-14	12.50	19.25	8.00	12.29	42.50	27
DMCQ-14S-06JC	M22X1.5	9/16"-18	14.00	14.12	10.00	7.54	37.00	27
DMCQ-14S-10JC	M22X1.5	7/8"-14	14.00	19.25	10.00	12.29	44.00	24
DMCQ-15L-06JC	M22X1.5	9/16"-18	14.00	14.12	12.00	7.54	39.50	27
DMCQ-15L-08JC	M22X1.5	3/4"-16	12.00	16.69	12.00	9.93	39.00	27
DMCQ-15L-10JC	M22X1.5	7/8"-14	13.00	19.25	12.00	12.00	44.50	27
DMCQ-15L-12JC	M22X1.5	11/16"-12	13.00	21.95	12.00	15.47	47.00	27
DMCQ-16S-08JC	M24X1.5	3/4"-16	14.00	16.69	12.00	9.93	43.50	32
DMCQ-16S-10JC	M24X1.5	7/8"-14	14.00	19.25	12.00	12.00	46.00	30
DMCQ-16S-12JC	M24X1.5	11/16"-12	14.00	21.95	12.00	15.47	49.50	32
DMCQ-18L-10JC	M26X1.5	7/8"-14	14.00	19.25	15.00	12.29	46.50	32
DMCQ-18L-12JC	M26X1.5	11/16"-12	14.00	21.95	15.00	15.00	49.50	32
DMCQ-18L-16JC	M26X1.5	15/16"-12	14.00	23.14	15.00	21.44	53.50	36
DMCQ-20S-12JC	M30X2	11/16"-12	16.00	21.95	15.47	15.47	52.00	36
DMCQ-20S-16JC	M30X2	15/16"-12	16.00	23.14	16.00	21.44	51.50	36
DMCQ-22L-12JC	M30X2	11/16"-12	16.00	21.95	19.00	15.47	52.00	36
DMCQ-25S-12JC	M36X2	11/16"-12	17.00	21.95	20.00	15.47	50.00	41
DMCQ-25S-16JC	M36X2	15/16"-12	17.00	23.14	20.00	21.44	53.00	41
DMCQ-28L-16JC	M36X2	15/16"-12	14.00	23.14	24.00	21.44	53.50	41
DMCQ-30S-16JC	M42X2	15/16"-12	17.50	23.14	25.00	21.44	54.50	50
DMCQ-30S-20JC	M42X2	15/8"-12	17.50	24.33	25.00	27.38	56.00	50
DMCQ-35L-20JC	M45X2	15/8"-12	16.00	24.33	30.00	27.38	51.00	46
DMCQ-38S-20JC	M52X2	15/8"-12	22.00	24.33	32.00	27.38	67.00	60
DMCQ-38S-24JC	M52X2	21/2"-12	22.00	27.50	32.00	32.00	70.00	60
DMCQ-42L-24JC	M52X2	17/8"-12	16.00	27.50	36.00	33.32	58.50	55

## DMC-GED

Male Connector (BSPP Male) with ED Ring



- DME&JDE Code:** DMC-GED
- Product Type:** Hydraulic adaptor
- Standard:** DIN 2353
- Structure:** Straight
- Connection Type:** Male x Male
- Thread Types:** Metric x BSPP + ED Ring
- Sealing Method:** ED Rings



PART NUMBER	F1 (Thread)	F2 (Thread)	P	C1	C2	D1	D2	L	S
#	Metric	BSPP	mm	mm	mm	mm	mm	mm	mm
DMC-04LL-01GED	M8X1	1/8"-28	4.10	8.00	8.00	3.00	3.00	21.50	14.00
DMC-06L-01GED	M12X1.5	1/8"-28	6.00	10.00	8.00	4.00	4.00	23.50	14.00
DMC-06L-02GED	M12X1.5	1/4"-19	6.00	10.00	12.00	4.00	6.00	29.00	19.00
DMC-06L-03GED	M12X1.5	3/8"-19	6.00	10.00	12.00	4.00	9.00	30.50	22.00
DMC-06LL-01GED	M10X1	1/8"-28	6.00	8.00	8.00	4.00	4.00	21.50	14.00
DMC-06S-02GED	M14X1.5	1/4"-19	6.00	12.00	12.00	4.00	7.50	32.00	19.00
DMC-08L-01GED	M14X1.5	1/8"-28	8.00	10.00	8.00	6.00	4.00	24.50	14.00
DMC-08L-02GED	M14X1.5	1/4"-19	8.00	10.00	12.00	6.00	6.00	29.00	19.00
DMC-08L-03GED	M14X1.5	3/8"-19	8.00	10.00	12.00	6.00	9.00	30.50	22.00
DMC-08L-04GED	M14X1.5	1/2"-14	8.00	10.00	14.00	6.00	12.00	33.00	27.00
DMC-08LL-01GED	M12X1	1/8"-28	8.00	9.00	8.00	6.00	4.00	23.50	14.00
DMC-08S-02GED	M16X1.5	1/4"-19	8.00	12.00	12.00	5.00	5.00	34.00	19.00
DMC-08S-03GED	M16X1.5	3/8"-19	8.00	12.00	12.00	5.00	9.00	34.50	22.00
DMC-10L-01GED	M16X1.5	1/8"-28	10.00	11.00	8.00	8.00	4.40	26.00	17.00
DMC-10L-02GED	M16X1.5	1/4"-19	10.00	11.00	12.00	6.00	6.00	30.00	19.00
DMC-10L-03GED	M16X1.5	3/8"-19	10.00	11.00	12.00	8.00	8.00	31.50	22.00
DMC-10L-04GED	M16X1.5	1/2"-14	10.00	11.00	14.00	8.00	12.00	34.00	27.00
DMC-10S-02GED	M18X1.5	1/4"-19	10.00	12.00	12.00	7.00	5.00	34.00	19.00
DMC-10S-03GED	M18X1.5	3/8"-19	10.00	12.00	12.00	7.00	9.90	34.50	22.00
DMC-10S-04GED	M18X1.5	1/2"-14	10.00	12.00	14.00	7.00	12.30	39.00	27.00
DMC-12L-02GED	M18X1.5	1/4"-19	12.00	11.00	12.00	7.50	7.50	31.00	19.00
DMC-12L-03GED	M18X1.5	3/8"-19	12.00	11.00	12.00	10.00	10.00	31.50	22.00
DMC-12L-04GED	M18X1.5	1/2"-14	12.00	11.00	14.00	10.00	10.00	34.00	27.00
DMC-12L-06GED	M18X1.5	3/4"-14	12.00	11.00	16.00	10.00	16.70	37.00	32.00
DMC-12S-02GED	M20X1.5	1/4"-19	12.00	12.00	12.00	6.00	6.00	36.00	22.00
DMC-12S-03GED	M20X1.5	3/8"-19	12.00	12.00	12.00	8.00	8.00	36.50	22.00



DMC-12S-04GED	M20X1.5	1/2"-14	12.00	12.00	14.00	8.00	12.00	39.00	27.00
DMC-12S-06GED	M20X1.5	3/4"-14	12.00	12.00	16.00	8.00	16.00	43.00	32.00
DMC-14S-02GED	M22X1.5	1/4"-19	14.00	14.00	12.00	10.00	5.00	38.00	24.00
DMC-14S-03GED	M22X1.5	3/8"-19	14.00	14.00	12.00	9.00	9.00	33.50	24.00
DMC-14S-04GED	M22X1.5	1/2"-14	14.00	14.00	14.00	10.00	10.00	41.00	27.00
DMC-15L-03GED	M22X1.5	3/8"-19	15.00	12.00	12.00	12.00	9.00	31.50	24.00
DMC-15L-04GED	M22X1.5	1/2"-14	15.00	12.00	14.00	12.00	12.00	35.00	27.00
DMC-15L-06GED	M22X1.5	3/4"-14	15.00	12.00	16.00	12.00	12.00	38.00	32.00
DMC-16L-04GED	M22X1.5	1/2"-14	16.00	12.00	14.00	12.00	12.00	36.00	27.00
DMC-16S-02GED	M24X1.5	1/4"-19	16.00	14.00	12.00	12.00	5.00	38.50	27.00
DMC-16S-03GED	M24X1.5	3/8"-19	16.00	14.00	12.00	12.00	9.00	38.50	27.00
DMC-16S-04GED	M24X1.5	1/2"-14	16.00	14.00	14.00	12.00	12.00	41.00	27.00
DMC-16S-06GED	M24X1.5	3/4"-14	16.00	14.00	16.00	12.00	16.00	45.00	32.00
DMC-16S-08GED	M24X1.5	1"-11	16.00	14.00	18.00	12.00	20.00	48.00	41.00
DMC-18L-03GED	M26X1.5	3/8"-19	18.00	12.00	12.00	15.00	9.00	34.00	27.00
DMC-18L-04GED	M26X1.5	1/2"-14	18.00	12.00	14.00	12.00	12.00	36.00	27.00
DMC-18L-06GED	M26X1.5	3/4"-14	18.00	12.00	16.00	15.00	15.00	38.00	32.00
DMC-18L-08GED	M26X1.5	1"-11	18.00	12.00	18.00	15.00	20.00	41.00	41.00
DMC-20S-04GED	M30X2	1/2"-14	20.00	16.00	14.00	16.00	12.30	45.00	32.00
DMC-20S-06GED	M30X2	3/4"-14	20.00	16.00	16.00	16.00	16.00	47.00	32.00
DMC-20S-08GED	M30X2	1"-11	20.00	16.00	18.00	16.00	20.00	49.00	41.00
DMC-22L-04GED	M30X2	1/2"-14	22.00	14.00	14.00	19.00	12.00	38.00	32.00
DMC-22L-06GED	M30X2	3/4"-14	22.00	14.00	16.00	18.00	18.00	40.00	32.00
DMC-22L-08GED	M30X2	1"-11	22.00	14.00	18.00	19.00	21.50	43.00	41.00
DMC-25S-04GED	M36X2	1/2"-14	25.00	18.00	14.00	20.00	12.30	49.00	41.00
DMC-25S-06GED	M36X2	3/4"-14	25.00	18.00	16.00	20.00	15.50	51.00	41.00
DMC-25S-08GED	M36X2	1"-11	25.00	18.00	18.00	20.00	20.00	53.00	41.00
DMC-25S-10GED	M36X2	1-1/4"-11	25.00	18.00	20.00	20.00	25.00	55.00	50.00
DMC-28L-06GED	M36X2	3/4"-14	28.00	14.00	16.00	24.00	15.50	41.00	41.00
DMC-28L-08GED	M36X2	1"-11	28.00	14.00	18.00	23.00	23.00	43.00	41.00
DMC-28L-10GED	M36X2	1-1/4"-11	28.00	14.00	20.00	24.00	28.00	46.00	50.00
DMC-30S-06GED	M42X2	3/4"-14	30.00	20.00	16.00	25.00	15.50	53.00	46.00
DMC-30S-08GED	M42X2	1"-11	30.00	20.00	18.00	25.00	20.00	55.00	46.00
DMC-30S-10GED	M42X2	1-1/4"-11	30.00	20.00	20.00	25.00	25.00	57.00	50.00
DMC-35L-08GED	M45X2	1"-11	35.30	16.00	18.00	30.00	21.50	46.50	46.00
DMC-35L-10GED	M45X2	1-1/4"-11	35.30	16.00	20.00	30.00	30.00	48.00	50.00
DMC-35L-12GED	M45X2	1-1/2"-11	35.30	16.00	22.00	30.00	35.00	52.00	55.00
DMC-38S-08GED	M52X2	1"-11	38.30	22.00	18.00	32.00	20.00	60.00	55.00
DMC-38S-10GED	M52X2	1-1/4"-11	38.30	22.00	20.00	32.00	25.00	62.00	55.00
DMC-38S-12GED	M52X2	1-1/2"-11	38.30	22.00	22.00	32.00	32.00	64.00	55.00
DMC-42L-10GED	M52X2	1-1/4"-11	42.30	16.00	20.00	36.00	30.00	50.00	55.00
DMC-42L-12GED	M52X2	1-1/2"-11	42.30	16.00	22.00	36.00	36.00	52.00	55.00

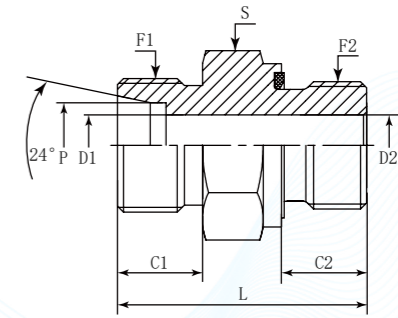


## DMC-MED

Metric Male Connector with ED Ring



- DME&JDE Code:** DMC-MED
- Product Type:** Hydraulic adaptor
- Standard:** DIN 2353
- Structure:** Straight
- Connection Type:** Male x Male
- Thread Types:** Metric x Metric
- Sealing Method:** ED Rings



PART NUMBER	F1 (Thread)	F2 (Thread)	P	C1	C2	D1	D2	L	S
#	Metric	Metric	mm	mm	mm	mm	mm	mm	mm
DMC-06L-M10ED	M12X1.5	M10X1	6.00	10.00	8.00	4.00	4.00	23.50	14.00
DMC-06L-M12ED	M12X1.5	M12X1.5	6.00	10.00	12.00	4.00	4.00	30.00	17.00
DMC-08L-M10ED	M14X1.5	M10X1	8.00	10.00	8.00	4.00	4.00	24.50	14.00
DMC-08L-M12ED	M14X1.5	M12X1.5	8.00	10.00	12.00	6.00	6.00	29.00	17.00
DMC-08L-M14ED	M14X1.5	M14X1.5	8.00	10.00	12.00	6.00	6.00	29.00	19.00
DMC-08L-M16ED	M14X1.5	M16X1.5	8.00	10.00	12.00	6.00	6.00	30.50	22.00
DMC-08L-M18ED	M14X1.5	M18X1.5	8.00	10.00	12.00	6.00	10.00	30.50	24.00
DMC-08S-M14ED	M16X1.5	M14X1.5	8.00	12.00	12.00	5.00	5.00	34.00	19.00
DMC-10L-M12ED	M16X1.5	M12X1.5	10.00	11.00	12.00	6.00	6.00	30.00	17.00
DMC-10L-M14ED	M16X1.5	M14X1.5	10.00	11.00	12.00	6.00	6.00	30.00	19.00
DMC-10L-M16ED	M16X1.5	M16X1.5	10.00	11.00	12.00	8.00	8.00	31.50	22.00
DMC-10L-M18ED	M16X1.5	M18X1.5	10.00	11.00	12.00	8.00	10.00	31.50	24.00
DMC-10L-M22ED	M16X1.5	M22X1.5	10.00	11.00	14.00	8.00	12.00	35.00	27.00
DMC-10S-M16ED	M18X1.5	M16X1.5	10.00	12.00	12.00	7.00	7.00	34.50	22.00
DMC-12L-M12ED	M18X1.5	M12X1.5	12.00	11.00	12.00	10.00	5.00	31.00	19.00
DMC-12L-M14ED	M18X1.5	M14X1.5	12.00	11.00	12.00	10.00	7.50	31.50	19.00
DMC-12L-M16ED	M18X1.5	M16X1.5	12.00	11.00	12.00	9.00	9.00	31.50	22.00
DMC-12L-M18ED	M18X1.5	M18X1.5	12.00	11.00	12.00	10.00	10.00	31.50	24.00



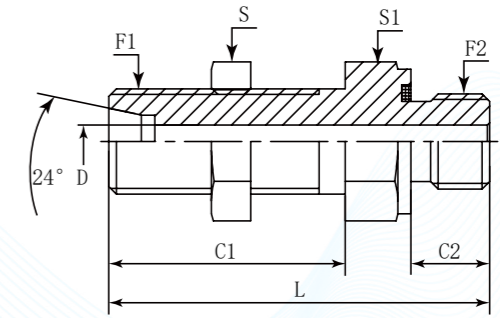
DMC-12L-M22ED	M18X1.5	M22X1.5	12.00	11.00	14.00	10.00	10.00	35.00	27.00
DMC-12S-M14ED	M20X1.5	M14X1.5	12.00	12.00	12.00	8.00	7.00	35.00	22.00
DMC-12S-M16ED	M20X1.5	M16X1.5	12.00	12.00	12.00	8.00	8.00	35.00	22.00
DMC-12S-M18ED	M20X1.5	M18X1.5	12.00	12.00	12.00	8.00	8.00	36.50	24.00
DMC-12S-M20ED	M20X1.5	M20X1.5	12.00	12.00	14.00	8.00	10.00	39.00	27.00
DMC-12S-M22ED	M20X1.5	M22X1.5	12.00	12.00	14.00	8.00	12.00	39.00	27.00
DMC-14S-M20ED	M22X1.5	M20X1.5	14.00	14.00	14.00	10.00	10.00	41.00	27.00
DMC-15L-M12ED	M22X1.5	M12X1.5	15.00	12.00	12.00	12.00	5.00	32.00	24.00
DMC-15L-M14ED	M22X1.5	M14X1.5	15.00	12.00	12.00	12.00	7.00	33.00	24.00
DMC-15L-M16ED	M22X1.5	M16X1.5	15.00	12.00	12.00	12.00	8.00	32.50	24.00
DMC-15L-M18ED	M22X1.5	M18X1.5	15.00	12.00	12.00	10.00	10.00	32.50	24.00
DMC-15L-M22ED	M22X1.5	M22X1.5	15.00	12.00	14.00	12.00	12.00	36.00	27.00
DMC-16L-M22ED	M22X1.5	M22X1.5	16.00	12.00	14.00	12.00	12.00	36.00	27.00
DMC-16L-M27ED	M22X1.5	M27X2	16.00	12.00	16.00	12.00	15.50	41.00	32.00
DMC-16S-M18ED	M24X1.5	M18X1.5	16.00	14.00	12.00	10.00	10.00	38.50	27.00
DMC-16S-M22ED	M24X1.5	M22X1.5	16.00	14.00	14.00	12.00	12.00	41.00	27.00
DMC-18L-M18ED	M26X1.5	M18X1.5	18.00	12.00	12.00	15.00	9.00	34.50	27.00
DMC-18L-M22ED	M26X1.5	M22X1.5	18.00	12.00	14.00	14.00	14.00	36.00	27.00
DMC-18L-M26ED	M26X1.5	M26X1.5	18.00	12.00	16.00	15.00	15.00	38.00	32.00
DMC-20S-M22ED	M30X2	M22X1.5	20.00	16.00	14.00	13.00	13.00	45.00	32.00
DMC-20S-M27ED	M30X2	M27X2	20.00	16.00	16.00	15.50	15.50	47.00	32.00
DMC-22L-M22ED	M30X2	M22X1.5	22.00	14.00	14.00	19.00	12.00	38.00	32.00
DMC-22L-M26ED	M30X2	M26X1.5	22.00	14.00	16.00	18.00	18.00	40.00	32.00
DMC-25S-M27ED	M36X2	M27X2	25.00	18.00	16.00	20.00	15.50	51.00	41.00
DMC-28L-M33ED	M36X2	M33X2	28.00	14.00	18.00	24.00	24.00	43.00	41.00
DMC-30S-M33ED	M42X2	M33X2	30.00	20.00	18.00	25.00	20.00	55.00	46.00
DMC-30S-M42ED	M42X2	M42X2	30.00	20.00	20.00	25.00	25.00	57.00	50.00
DMC-35L-M42ED	M45X2	M42X2	35.30	16.00	20.00	30.00	30.00	48.00	50.00
DMC-38S-M48ED	M52X2	M48X2	38.30	22.00	22.00	32.00	32.00	64.00	55.00
DMC-42L-M48ED	M52X2	M48X2	42.30	16.00	22.00	36.00	36.00	52.00	55.00

## DBMC-GED

Male Bulkhead Connector (BSPP) with ED Ring



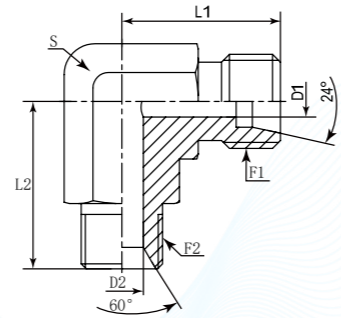
- DME&JDE Code:** DBMC-GED
- Product Type:** Hydraulic adaptor
- Standard:** DIN 2353
- Structure:** Straight
- Connection Type:** Male x Male
- Thread Types:** Metric x BSPP
- Sealing Method:** ED Rings
- Other Features:** Bulkhead



PART NUMBER	F1 (Thread)	F2 (Thread)	C1	C2	D	L	S	S1
#	Metric	BSPP	mm	mm	mm	mm	mm	mm
DBMC-10S-03GED	M18X1.5	3/8"-19	37.00	12.00	7.00	59.50	24.00	24.00
DBMC-12S-04GED	M20X1.5	1/2"-14	38.00	14.00	8.00	64.00	27.00	27.00
DBMC-35L-10GED	M45X2	1-1/4"-11	47.00	20.00	30.00	82.00	50.00	55.00

## DLM-G

DIN 2353 90° Elbow BSPP Male

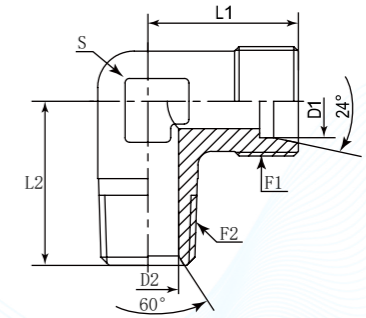


- DME&JDE Code: **DLM-G**
- Product Type: **Hydraulic adaptor**
- Standard: **DIN 2353**
- Structure: **90° Elbow**
- Connection Type: **Male x Male**
- Thread Type: **Metric x BSPP**

PART NUMBER	F1 (Thread)	F2 (Thread)	D1	D2	L1	L2	S
#	METRIC	BSPP	mm	mm	mm	mm	mm
DLM-04LL-01G	M8X1	1/8"-28	3.00	4.00	15.00	17.00	9
DLM-06LL-01G	M10X1	1/8"-28	4.00	3.50	19.00	20.00	11
DLM-06L-01G	M12X1.5	1/8"-28	4.00	3.50	19.00	22.50	12
DLM-06L-02G	M12X1.5	1/4"-19	4.00	4.70	21.00	24.00	12
DLM-06S-02G	M14X1.5	1/4"-19	4.00	4.70	23.00	26.00	12
DLM-08LL-01G	M12X1	1/8"-28	6.00	3.50	17.00	20.00	12
DLM-08L-01G	M14X1.5	1/8"-28	6.00	3.50	21.00	22.50	12
DLM-08L-02G	M14X1.5	1/4"-19	6.00	4.70	21.00	24.00	12
DLM-08L-03G	M14X1.5	3/8"-19	6.00	7.90	24.00	28.00	17
DLM-08L-04G	M14X1.5	1/2"-14	6.00	11.10	24.00	34.00	19
DLM-08S-02G	M16X1.5	1/4"-19	5.00	4.70	24.00	27.00	14
DLM-10L-03G	M16X1.5	3/8"-19	8.00	7.90	25.00	28.00	17
DLM-10L-04G	M16X1.5	1/2"-14	8.00	11.10	24.00	34.00	19
DLM-10S-03G	M18X1.5	3/8"-19	7.00	7.90	25.00	28.00	17
DLM-12L-03G	M18X1.5	3/8"-19	10.00	7.90	24.00	28.00	17
DLM-12L-04G	M18X1.5	1/2"-14	10.00	11.10	24.00	30.00	22
DLM-12S-03G	M20X1.5	3/8"-19	8.00	7.90	29.00	28.00	19
DLM-12S-04G	M20X1.5	1/2"-14	8.00	11.10	29.00	32.00	19
DLM-14S-03G	M22X1.5	3/8"-19	10.00	7.90	30.00	30.00	19
DLM-14S-04G	M22X1.5	1/2"-14	10.00	11.10	30.00	34.00	19
DLM-15L-04G	M22X1.5	1/2"-14	12.00	11.10	28.00	34.00	19
DLM-15L-06G	M22X1.5	3/4"-14	12.00	16.70	33.00	38.00	27
DLM-16S-04G	M24X1.5	1/2"-14	12.00	11.10	33.00	36.00	24
DLM-16S-06G	M24X1.5	3/4"-14	12.00	16.70	33.00	40.00	27
DLM-18L-04G	M26X1.5	1/2"-14	15.00	11.10	31.00	36.00	24
DLM-18L-06G	M26X1.5	3/4"-14	15.00	16.70	34.00	42.00	27
DLM-20S-04G	M30X2	1/2"-14	16.00	11.10	37.00	41.00	27
DLM-20S-06G	M30X2	3/4"-14	16.00	16.70	37.00	42.00	27
DLM-22L-06G	M30X2	3/4"-14	19.00	16.70	35.00	38.50	27
DLM-25S-08G	M36X2	1"-11	20.00	22.20	42.00	48.00	36
DLM-28L-08G	M36X2	1"-11	24.00	22.20	38.00	48.00	36
DLM-30S-10G	M42X2	1 1/4"-11	25.00	28.60	49.00	55.00	41
DLM-35L-10G	M45X2	1 1/4"-11	30.00	28.60	45.00	55.00	41
DLM-38S-12G	M52X2	1 1/2"-11	32.00	33.30	57.00	61.00	50
DLM-42L-12G	M52X2	1 1/2"-11	36.00	33.30	51.00	61.00	50

## DLM-R

90° Elbow BSPT Male



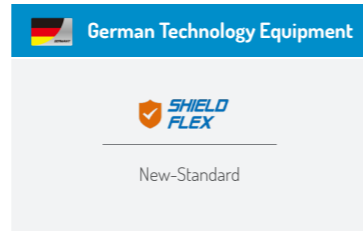
- DME&JDE Code: **DLM-R**
- Product Type: **Hydraulic adaptor**
- Standard: **DIN 2353**
- Structure: **90° Elbow**
- Connection Type: **Male x Male**
- Thread Types: **Metric x BSPT**

PART NUMBER	F1 (Thread)	F2 (Thread)	L1	L2	D1	D2	S
#	Metric	BSPT	mm	mm	mm	mm	mm
DLM-04LL-01R	M8X1	1/8"-28	15.00	17.00	3.00	4.00	9.00
DLM-06L-01R	M12X1.5	1/8"-28	19.00	20.00	4.00	4.50	12.00
DLM-06L-02R	M12X1.5	1/4"-19	21.00	26.00	4.00	6.00	12.00
DLM-06LL-01R	M10X1	1/8"-28	15.00	17.00	4.50	4.50	9.00
DLM-06S-02R	M14X1.5	1/4"-19	23.00	26.00	4.00	6.00	12.00
DLM-08L-01R	M14X1.5	1/8"-28	21.00	26.00	6.00	4.50	12.00
DLM-08L-02R	M14X1.5	1/4"-19	21.00	26.00	6.00	6.00	12.00
DLM-08L-03R	M14X1.5	3/8"-19	24.00	28.00	6.00	9.00	17.00
DLM-08L-04R	M14X1.5	1/2"-14	24.00	34.00	6.00	12.00	19.00
DLM-08LL-01R	M12X1	1/8"-28	17.00	20.00	6.00	4.50	12.00
DLM-08S-02R	M16X1.5	1/4"-19	24.00	27.00	5.00	6.00	14.00
DLM-10L-01R	M16X1.5	1/8"-28	22.00	27.00	8.00	4.50	14.00
DLM-10L-02R	M16X1.5	1/4"-19	22.00	27.00	8.00	6.00	14.00
DLM-10L-03R	M16X1.5	3/8"-19	24.00	28.00	8.00	9.00	17.00
DLM-10L-04R	M16X1.5	1/2"-14	24.00	34.00	8.00	12.00	19.00
DLM-10S-03R	M18X1.5	3/8"-19	25.00	28.00	7.00	9.00	17.00
DLM-12L-02R	M18X1.5	1/4"-19	24.00	28.00	10.00	6.00	17.00
DLM-12L-03R	M18X1.5	3/8"-19	24.00	28.00	10.00	9.00	17.00
DLM-12L-04R	M18X1.5	1/2"-14	24.00	32.00	10.00	12.00	22.00
DLM-12S-03R	M20X1.5	3/8"-19	29.00	28.00	8.00	9.00	19.00
DLM-12S-04R	M20X1.5	1/2"-14	29.00	32.00	8.00	12.00	19.00
DLM-14S-03R	M22X1.5	3/8"-19	30.00	30.00	10.00	9.00	19.00
DLM-14S-04R	M22X1.5	1/2"-14	30.00	34.00	10.00	12.00	19.00
DLM-15L-03R	M22X1.5	3/8"-19	28.00	30.00	12.00	9.00	19.00
DLM-15L-04R	M22X1.5	1/2"-14	28.00	34.00	12.00	12.00	19.00
DLM-16S-03R	M24X1.5	3/8"-19	33.00	37.00	12.00	9.00	24.00
DLM-16S-04R	M24X1.5	1/2"-14	33.00	36.00	12.00	12.00	24.00
DLM-18L-04R	M26X1.5	1/2"-14	31.00	36.00	15.00	12.00	24.00
DLM-18L-06R	M26X1.5	3/4"-14	34.00	42.00	15.00	16.70	27.00
DLM-20S-04R	M30X2	1/2"-14	37.00	41.00	16.00	12.00	27.00
DLM-20S-06R	M30X2	3/4"-14	37.00	42.00	16.00	16.70	27.00
DLM-22L-06R	M30X2	3/4"-14	35.00	42.00	19.00	16.70	27.00
DLM-25S-06R	M36X2	3/4"-14	42.00	45.00	20.00	16.70	36.00
DLM-25S-08R	M36X2	1"-11	42.00	48.00	20.00	22.20	36.00
DLM-28L-08R	M36X2	1"-11	38.00	48.00	24.00	22.20	36.00
DLM-30S-08R	M42X2	1"-11	49.00	55.00	25.00	22.20	41.00
DLM-30S-10R	M42X2	1-1/4"-11	49.00	55.00	25.00	28.60	41.00
DLM-35L-10R	M45X2	1-1/4"-11	45.00	55.00	30.00	28.60	41.00
DLM-38S-12R	M52X2	1-1/2"-11	57.00	61.00	32.00	33.30	50.00
DLM-42L-12R	M52X2	1-1/2"-11	51.00	61.00	36.00	33.30	50.00

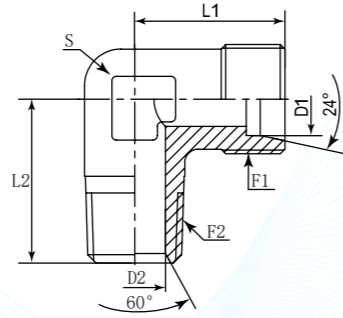


## DLM-N

90° Elbow NPTF Male



- DME&JDE Code:** DLM-N
- Product Type:** Hydraulic adaptor
- Standard:** DIN 2353
- Structure:** 90° Elbow
- Connection Type:** Male x Male
- Thread Type:** Metric x NPTF



PART NUMBER	F1 (Thread)	F2 (Thread)	L1	L2	D1	D2	S
#	Metric	NPTF	mm	mm	mm	mm	mm
DLM-04LL-01N	M8X1	1/8"-27	15.00	17.00	3.00	4.00	9.00
DLM-06L-01N	M12X1.5	1/8"-27	19.00	20.00	4.00	4.78	12.00
DLM-06L-02N	M12X1.5	1/4"-18	21.00	26.00	4.00	7.14	12.00
DLM-06L-03N	M12X1.5	3/8"-18	24.00	28.00	4.00	10.31	17.00
DLM-06LL-01N	M10X1	1/8"-27	15.00	17.00	4.00	4.78	9.00
DLM-06S-02N	M14X1.5	1/4"-18	23.00	26.00	4.00	7.14	12.00
DLM-08L-01N	M14X1.5	1/8"-27	21.00	26.00	6.00	4.78	12.00
DLM-08L-02N	M14X1.5	1/4"-18	21.00	26.00	6.00	7.14	12.00
DLM-08L-03N	M14X1.5	3/8"-18	24.00	28.00	6.00	10.31	17.00
DLM-08L-04N	M14X1.5	1/2"-14	24.00	34.00	6.00	13.49	19.00
DLM-08S-02N	M16X1.5	1/4"-18	24.00	27.00	5.00	7.14	14.00
DLM-10L-01N	M16X1.5	1/8"-27	22.00	27.00	8.00	4.78	14.00
DLM-10L-02N	M16X1.5	1/4"-18	22.00	27.00	8.00	7.14	14.00
DLM-10L-03N	M16X1.5	3/8"-18	25.00	28.00	8.00	10.31	17.00
DLM-10L-04N	M16X1.5	1/2"-14	24.00	34.00	8.00	13.49	19.00
DLM-10S-03N	M18X1.5	3/8"-18	25.00	28.00	7.00	10.31	17.00
DLM-12L-02N	M18X1.5	1/4"-18	24.00	28.00	10.00	7.14	17.00
DLM-12L-03N	M18X1.5	3/8"-18	24.00	28.00	10.00	10.31	17.00
DLM-12L-04N	M18X1.5	1/2"-14	24.00	34.00	10.00	13.49	22.00
DLM-12S-02N	M20X1.5	1/4"-18	29.00	29.00	8.00	7.14	19.00
DLM-12S-03N	M20X1.5	3/8"-18	29.00	28.00	8.00	10.31	19.00
DLM-12S-04N	M20X1.5	1/2"-14	29.00	36.00	8.00	13.49	19.00
DLM-12S-06N	M20X1.5	3/4"-14	29.00	40.40	8.00	16.70	27.00
DLM-14S-03N	M22X1.5	3/8"-18	30.00	30.00	10.00	10.31	19.00
DLM-14S-04N	M22X1.5	1/2"-14	30.00	34.00	10.00	13.49	19.00
DLM-15L-03N	M22X1.5	3/8"-18	28.00	30.00	12.00	10.31	19.00
DLM-15L-04N	M22X1.5	1/2"-14	28.00	34.00	12.00	13.49	19.00
DLM-15L-06N	M22X1.5	3/4"-14	34.00	38.50	12.00	16.70	27.00
DLM-16S-03N	M24X1.5	3/8"-18	33.00	34.00	12.00	10.31	24.00
DLM-16S-04N	M24X1.5	1/2"-14	33.00	36.00	12.00	13.49	24.00
DLM-16S-06N	M24X1.5	3/4"-14	33.00	40.40	12.00	18.26	27.00
DLM-18L-04N	M26X1.5	1/2"-14	31.00	36.00	15.00	13.49	24.00
DLM-18L-06N	M26X1.5	3/4"-14	34.00	42.00	15.00	18.26	27.00
DLM-20S-04N	M30X2	1/2"-14	37.00	42.00	16.00	13.49	27.00
DLM-20S-06N	M30X2	3/4"-14	37.00	40.40	16.00	18.26	27.00
DLM-20S-08N	M30X2	1"-1-1/2	42.00	48.00	16.00	23.83	36.00
DLM-22L-06N	M30X2	3/4"-14	35.00	38.50	19.00	18.26	27.00
DLM-25S-04N	M36X2	1/2"-14	42.00	45.00	20.00	13.49	36.00
DLM-25S-06N	M36X2	3/4"-14	42.00	45.00	20.00	18.26	36.00
DLM-25S-08N	M36X2	1"-11-1/2	42.00	48.00	20.00	23.83	36.00
DLM-28L-08N	M36X2	1"-11-1/2	38.00	48.00	24.00	22.20	36.00
DLM-30S-08N	M42X2	1"-11-1/2	49.00	55.00	25.00	23.83	41.00
DLM-30S-10N	M42X2	1-1/4"-11-1/2	49.00	55.00	25.00	31.75	41.00
DLM-35L-10N	M45X2	1-1/4"-11-1/2	45.00	55.00	30.00	31.75	41.00
DLM-38S-12N	M52X2	1-1/2"-11-1/2	57.00	61.00	32.00	38.10	50.00
DLM-42L-12N	M52X2	1-1/2"-11-1/2	51.00	61.00	36.00	38.10	50.00

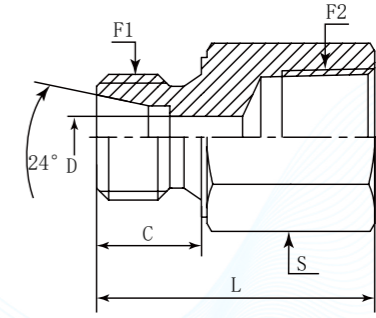


## DFC-N

Female Connector NPTF Female



- DME&JDE Code:** DFC-N
- Product Type:** Hydraulic adaptor
- Standard:** DIN 2353
- Structure:** Straight
- Connection Type:** Female x Female
- Thread Types:** Metric x NPTF



PART NUMBER	F1(Thread)	F2(Thread)	C	D	L	S
#	Metric	NPTF	mm	mm	mm	mm
DFC-06L-01N	M12X1.5	1/8"-27	10.00	4.00	26.00	14.00
DFC-06L-02N	M12X1.5	1/4"-18	10.00	4.00	30.00	19.00
DFC-06L-03N	M12X1.5	3/8"-18	10.00	4.00	30.00	22.00
DFC-08L-02N	M14X1.5	1/4"-18	10.00	6.00	31.00	19.00
DFC-10L-02N	M16X1.5	1/4"-18	11.00	8.00	31.00	19.00
DFC-12L-04N	M18X1.5	1/2"-14	11.00	10.00	38.00	27.00
DFC-12S-02N	M20X1.5	1/4"-18	12.00	8.00	33.00	22.00
DFC-15L-06N	M22X1.5	3/4"-14	12.00	12.00	42.00	36.00
DFC-18L-06N	M26X1.5	3/4"-14	12.00	15.00	42.00	36.00



## DFC-G

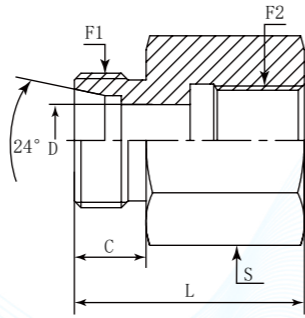
Female Connector BSPP Female

German Technology Equipment

**SHIELD FLEX**

New-Standard

- DME&JDE Code: DFC-G
- Product Type: Hydraulic adaptor
- Standard: DIN 2353
- Structure: Straight
- Connection Type: Female x Female
- Thread Type: Metric x BSPP



PART NUMBER	F1 (Thread)	F2 (Thread)	C	D	L	S
#	Metric	BSPP	mm	mm	mm	mm
DFC-06L-01G	M12X1.5	1/8"-28	10.00	4.00	26.00	14.00
DFC-06L-02G	M12X1.5	1/4"-19	10.00	4.00	31.00	19.00
DFC-06L-03G	M12X1.5	3/8"-19	10.00	4.00	32.00	22.00
DFC-06S-02G	M14X1.5	1/4"-19	12.00	4.00	33.00	19.00
DFC-06S-04G	M14X1.5	1/2"-14	12.00	4.00	38.00	27.00
DFC-08L-02G	M14X1.5	1/4"-19	10.00	6.00	31.00	19.00
DFC-08L-03G	M14X1.5	3/8"-19	10.00	6.00	32.00	22.00
DFC-08L-04G	M14X1.5	1/2"-14	10.00	6.00	36.00	27.00
DFC-08S-02G	M16X1.5	1/4"-19	12.00	5.00	33.00	19.00
DFC-08S-04G	M16X1.5	1/2"-14	12.00	5.00	37.00	27.00
DFC-10L-02G	M16X1.5	1/4"-19	11.00	8.00	32.00	19.00
DFC-10L-03G	M16X1.5	3/8"-19	11.00	8.00	33.00	22.00
DFC-10L-04G	M16X1.5	1/2"-14	11.00	8.00	37.00	27.00
DFC-10S-03G	M18X1.5	3/8"-19	12.00	7.00	34.00	22.00
DFC-10S-04G	M18X1.5	1/2"-14	12.00	7.00	38.00	27.00
DFC-12L-02G	M18X1.5	1/4"-19	11.00	10.00	32.00	19.00
DFC-12L-03G	M18X1.5	3/8"-19	11.00	10.00	33.00	22.00
DFC-12L-04G	M18X1.5	1/2"-14	11.00	10.00	37.00	27.00
DFC-12S-03G	M20X1.5	3/8"-19	12.00	8.00	34.00	24.00
DFC-12S-04G	M20X1.5	1/2"-14	12.00	8.00	38.00	27.00
DFC-14S-04G	M22X1.5	1/2"-14	14.00	10.00	40.00	30.00
DFC-15L-02G	M22X1.5	1/4"-19	12.00	12.00	33.00	24.00
DFC-15L-03G	M22X1.5	3/8"-19	12.00	12.00	34.00	24.00
DFC-15L-04G	M22X1.5	1/2"-14	12.00	12.00	38.00	27.00
DFC-16S-04G	M24X1.5	1/2"-14	14.00	12.00	40.00	30.00
DFC-18L-04G	M26X1.5	1/2"-14	12.00	15.00	38.00	27.00
DFC-20S-06G	M30X2	3/4"-14	16.00	16.00	45.00	36.00
DFC-22L-06G	M30X2	3/4"-14	14.00	19.00	43.00	36.00
DFC-25S-08G	M36X2	1"-11	18.00	20.00	49.00	41.00
DFC-28L-08G	M36X2	1"-11	14.00	24.00	45.50	41.00
DFC-30S-10G	M42X2	1-1/4"-11	20.00	25.00	55.50	55.00
DFC-35L-10G	M45X2	1-1/4"-11	16.00	30.00	51.50	55.00
DFC-38S-12G	M52X2	1-1/2"-11	22.00	32.00	60.00	60.00
DFC-42L-12G	M52X2	1-1/2"-11	16.00	36.00	53.50	60.00

## DFC-M

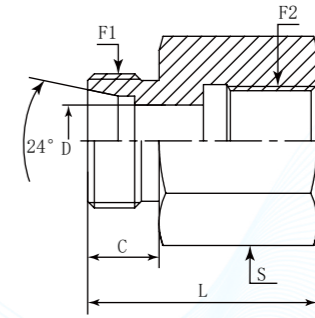
Female Connector Metric Female

German Technology Equipment

**SHIELD FLEX**

New-Standard

- DME&JDE Code: DFC-M
- Product Type: Hydraulic adaptor
- Standard: DIN 2353
- Structure: Straight
- Connection Type: Female x Female
- Thread Types: Metric x Metric



PART NUMBER	F1 (Thread)	F2 (Thread)	C	D	L	S
#	Metric	Metric	mm	mm	mm	mm
DFC-06L-M10	M12X1.5	M10X1	10.00	4.00	26.00	14.00
DFC-06S-M12	M14X1.5	M12X1.5	12.00	4.00	33.00	17.00
DFC-08L-M12	M14X1.5	M12X1.5	10.00	6.00	31.00	17.00
DFC-08S-M14	M16X1.5	M14X1.5	12.00	5.00	33.00	19.00
DFC-10L-M14	M16X1.5	M14X1.5	11.00	6.00	32.00	19.00
DFC-10S-M16	M18X1.5	M16X1.5	12.00	7.00	34.00	22.00
DFC-12L-M16	M18X1.5	M16X1.5	11.00	8.00	33.00	22.00
DFC-12S-M18	M20X1.5	M18X1.5	12.00	8.00	34.00	24.00
DFC-14S-M20	M22X1.5	M20X1.5	14.00	10.00	40.00	27.00
DFC-15L-M18	M22X1.5	M18X1.5	12.00	10.00	38.00	24.00
DFC-16S-M22	M24X1.5	M22X1.5	14.00	12.00	40.00	30.00
DFC-18L-M22	M26X1.5	M22X1.5	12.00	14.00	38.00	30.00
DFC-20S-M27	M30X2	M27X2	16.00	15.00	45.00	36.00
DFC-22L-M26	M30X2	M26X1.5	14.00	17.00	42.00	32.00
DFC-25S-M33	M36X2	M33X2	18.00	20.00	49.00	41.00
DFC-28L-M33	M36X2	M33X2	14.00	23.00	45.00	41.00
DFC-30S-M42	M42X2	M42X2	20.00	25.00	56.00	55.00
DFC-35L-M42	M45X2	M42X2	16.00	30.00	51.00	55.00
DFC-38S-M48	M52X2	M48X2	22.00	32.00	60.00	60.00
DFC-42L-M48	M52X2	M48X2	16.00	36.00	54.00	60.00

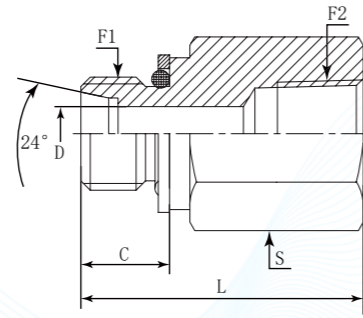


## DQFC-N

Male Connector (NPTF Male) with Form X Tapped Holes



- DME&JDE Code: DQFC-N
- Product Type: Hydraulic adaptor
- Standard: DIN 2353
- Structure: Straight
- Connection Type: Male x Male
- Thread Type: Metric x NPTF



PART NUMBER	F1 (Thread)	F2 (Thread)	C	D	L	S
#	METRIC	NPTF	mm	mm	mm	mm
DANPF152Q-0212DU	M12X1.5	1/8"-27	11.00	4.00	30.50	17
DANPF152Q-0216DU	M16X1.5	1/8"-27	11.50	8.00	32.00	22
DANPF152Q-0410DU	M10X1	1/4"-18	8.00	4.50	30.00	19
DANPF152Q-0412DU	M12X1.5	1/4"-18	11.00	4.00	32.90	19
DANPF152Q-0414DU	M14X1.5	1/4"-18	11.00	6.00	35.00	19
DANPF152Q-0416DU	M16X1.5	1/4"-18	11.50	8.00	37.50	22
DANPF152Q-0418DU	M18X1.5	1/4"-18	12.50	10.00	38.50	24
DANPF152Q-0612DU	M12X1.5	3/8"-18	11.00	4.00	38.00	22
DANPF152Q-0614DU	M14X1.5	3/8"-18	11.00	6.00	38.00	22
DANPF152Q-0616DU	M16X1.5	3/8"-18	11.50	8.00	38.50	22
DANPF152Q-0618DU	M18X1.5	3/8"-18	12.50	10.00	40.50	24
DANPF152Q-0620DU	M20X1.5	3/8"-18	12.50	8.00	40.50	24
DANPF152Q-0622DU	M22X1.5	3/8"-18	14.00	12.00	38.50	27
DANPF152Q-0816DU	M16X1.5	1/2"-14	11.50	8.00	40.00	27
DANPF152Q-0818DU	M18X1.5	1/2"-14	12.50	10.00	41.50	27
DANPF152Q-0822DU	M22X1.5	1/2"-14	14.00	12.00	42.50	27
DANPF152Q-1222DU	M22X1.5	3/4"-14	14.00	12.00	46.50	36
DANPF152Q-1226DU	M26X1.5	3/4"-14	16.00	15.00	46.00	36
DANPF152Q-1227DU	M27X2	3/4"-14	16.00	15.00	48.00	36
DANPF152Q-1230DU	M30X2	3/4"-14	16.00	19.00	45.30	36
DANPF152Q-1633DU	M33X2	1"-11-1/2	16.00	20.00	53.50	41

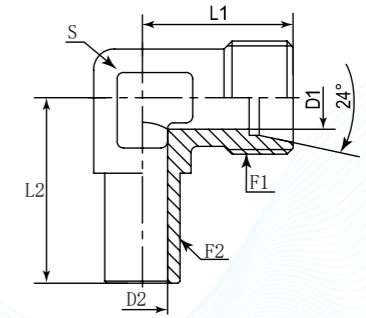


## DLA

Adjustable 90° Elbow with Standard Pipe



- DME&JDE Code: DLA
- Product Type: Hydraulic adaptor
- Standard: DIN 2353
- Structure: 90° Elbow
- Connection Type: Adjustable Male
- Thread Types: Metric



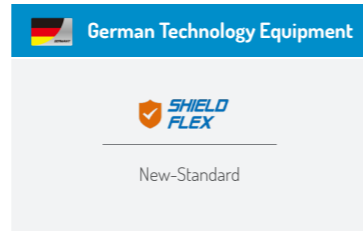
PART NUMBER	F1 (Thread)	L1	L2	D1	D2	S
#	Metric	mm	mm	mm	mm	mm
DLA-06L	M12X1.5	19.00	26.00	4.00	3.50	12.00
DLA-06S	M14X1.5	23.00	27.00	4.00	3.00	12.00
DLA-08L	M14X1.5	21.00	27.50	6.00	5.50	12.00
DLA-08S	M16X1.5	24.00	27.50	5.00	4.00	14.00
DLA-10L	M16X1.5	22.00	29.00	8.00	6.00	14.00
DLA-10S	M18X1.5	25.00	30.00	7.00	7.00	17.00
DLA-12L	M18X1.5	24.00	29.50	10.00	8.00	17.00
DLA-12S	M20X1.5	29.00	31.00	8.00	8.00	17.00
DLA-14S	M22X1.5	30.00	35.00	10.00	9.00	19.00
DLA-15L	M22X1.5	28.00	32.50	12.00	12.00	19.00
DLA-16S	M24X1.5	33.00	36.50	12.00	10.00	24.00
DLA-18L	M26X1.5	31.00	35.50	15.00	14.00	24.00
DLA-20S	M30X2	37.00	44.50	16.00	14.00	27.00
DLA-22L	M30X2	35.00	38.50	19.00	18.00	27.00
DLA-25S	M36X2	42.00	50.00	20.00	19.00	36.00
DLA-28L	M36X2	38.00	41.50	24.00	23.00	36.00
DLA-30S	M42X2	49.00	61.50	25.00	25.00	41.00
DLA-35L	M45X2	45.00	51.00	30.00	30.00	41.00
DLA-38S	M52X2	57.00	73.50	32.00	32.00	50.00
DLA-42L	M52X2	51.00	60.00	36.00	36.00	50.00



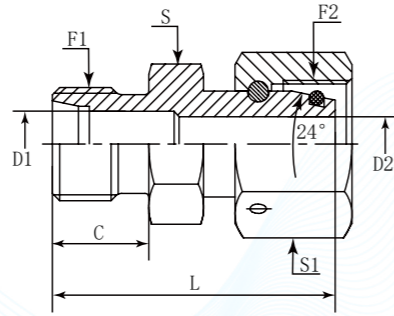


## DED

Swivel Female Connector with 24° Cone



- DME&JDE Code: DED
- Product Type: Hydraulic adaptor
- Standard: DIN 2353
- Structure: Straight
- Connection Type: Swivel Female x Male
- Thread Type: Metric x Metric 24° Cone



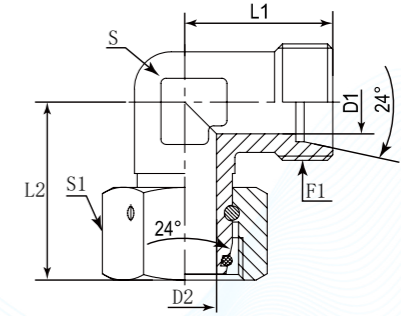
PART NUMBER	F1 (Thread)	F2 (Thread)	C	D1	D2	L	S	S1
#	Metric	Metric	mm	mm	mm	mm	mm	mm
DED-06L	M12X1.5	M12X1.5	10.00	3.00	3.00	31.00	12.00	14.00
DED-08L	M14X1.5	M14X1.5	10.00	6.00	4.00	32.50	17.00	17.00
DED-08S	M16X1.5	M16X1.5	12.00	4.00	4.00	34.50	17.00	19.00
DED-10L	M16X1.5	M16X1.5	11.00	8.00	6.00	33.50	17.00	19.00
DED-10S	M18X1.5	M18X1.5	12.00	7.00	5.00	35.50	19.00	22.00
DED-12L	M18X1.5	M18X1.5	11.00	10.00	7.50	34.50	19.00	22.00
DED-12S	M20X1.5	M20X1.5	12.00	8.00	8.00	37.50	22.00	24.00
DED-15L	M22X1.5	M22X1.5	12.00	12.00	10.00	36.50	24.00	27.00
DED-16S	M24X1.5	M24X1.5	14.00	12.00	10.00	40.50	27.00	30.00
DED-18L	M26X1.5	M26X1.5	12.00	15.00	12.50	38.00	27.00	32.00
DED-20S	M30X2	M30X2	16.00	16.00	14.00	47.50	32.00	36.00
DED-22L	M30X2	M30X2	14.00	19.00	14.00	45.00	32.00	36.00
DED-25S	M36X2	M36X2	18.00	20.00	18.00	55.50	41.00	46.00
DED-30S	M42X2	M42X2	20.00	25.00	22.00	57.50	46.00	50.00
DED-38S	M52X2	M52X2	22.00	32.00	30.00	66.00	55.00	60.00

## DEW

Swivel Adjustable 90° Elbow With 24° Cone



- DME&JDE Code: DEW
- Product Type: Hydraulic adaptor
- Standard: DIN 2353
- Structure: 90° Elbow
- Connection Type: Adjustable Swivel Female x Male
- Thread Types: Metric x Metric 24° Cone



PART NUMBER	F1/F2 (Thread)	L1	L2	D1	D2	S	S1
#	Metric	mm	mm	mm	mm	mm	mm
DEW-06L	M12X1.5	19.00	25.00	4.00	3.00	12.00	14.00
DEW-06S	M14X1.5	23.00	25.50	4.00	3.00	12.00	17.00
DEW-08L	M14X1.5	21.00	25.50	6.00	4.00	12.00	17.00
DEW-08S	M16X1.5	24.00	27.00	5.00	4.00	14.00	19.00
DEW-10L	M16X1.5	22.00	27.00	8.00	6.00	14.00	19.00
DEW-10S	M18X1.5	25.00	30.00	7.00	6.00	17.00	22.00
DEW-12L	M18X1.5	24.00	28.50	10.00	7.50	17.00	22.00
DEW-12S	M20X1.5	29.00	31.00	8.00	8.00	17.00	24.00
DEW-14S	M22X1.5	30.00	34.00	10.00	10.00	19.00	27.00
DEW-15L	M22X1.5	28.00	32.50	12.00	10.00	19.00	27.00
DEW-16S	M24X1.5	33.00	34.50	12.00	10.00	24.00	30.00
DEW-18L	M26X1.5	31.00	33.50	15.00	12.50	24.00	32.00
DEW-20S	M30X2	37.00	42.00	16.00	14.00	27.00	36.00
DEW-22L	M30X2	35.00	37.00	19.00	17.00	27.00	36.00
DEW-25S	M36X2	42.00	48.00	20.00	18.00	36.00	46.00
DEW-28L	M36X2	38.00	40.00	24.00	22.00	36.00	41.00
DEW-30S	M42X2	49.00	52.50	25.00	22.00	41.00	50.00
DEW-35L	M45X2	45.00	51.00	30.00	28.00	41.00	50.00
DEW-38S	M52X2	57.00	63.00	32.00	29.00	50.00	60.00
DEW-42L	M52X2	51.00	56.50	36.00	34.00	50.00	60.00

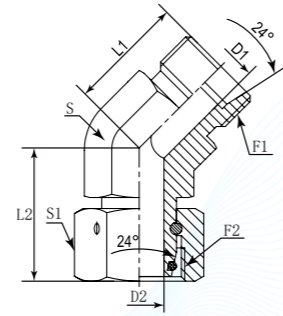


## DEV

DIN 2353 Adjustable 45° Male Stud Elbow



- DME&JDE Code: DEV
- Product Type: Hydraulic adaptor
- Standard: DIN 2353
- Structure: 45° Elbow
- Connection Type: Adjustable male x Female
- Thread Type: Metric x Metric



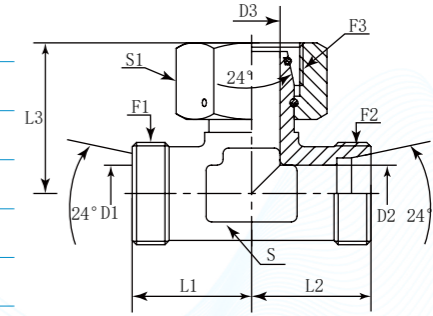
PART NUMBER	F1 (Thread)	F2 (Thread)	D1	D2	L1	L2	S	S1
#	METRIC	METRIC	mm	mm	mm	mm	mm	mm
DEV-06L	M12X1.5	M12X1.5	4.00	3.00	24.00	23.50	14	14
DEV-06S	M14X1.5	M14X1.5	4.00	3.00	16.00	24.50	14	17
DEV-08L	M14X1.5	M14X1.5	6.00	4.00	19.00	26.00	14	17
DEV-08S	M16X1.5	M16X1.5	5.00	4.00	19.00	25.00	19	19
DEV-10L	M16X1.5	M16X1.5	8.00	6.00	19.00	27.00	19	19
DEV-10S	M18X1.5	M18X1.5	7.00	6.00	21.00	27.50	19	22
DEV-12L	M18X1.5	M18X1.5	10.00	7.50	21.00	29.50	19	22
DEV-12S	M20X1.5	M20X1.5	8.00	8.00	24.00	28.50	19	24
DEV-14S	M22X1.5	M22X1.5	10.00	10.00	24.00	31.00	19	27
DEV-15L	M22X1.5	M22X1.5	12.00	10.00	22.00	33.10	22	27
DEV-16S	M24X1.5	M24X1.5	12.00	10.00	24.00	34.00	19	30
DEV-18L	M26X1.5	M26X1.5	15.00	12.50	24.00	33.00	27	32
DEV-20S	M30X2	M30X2	16.00	14.00	26.50	42.00	27	36
DEV-22L	M30X2	M30X2	19.00	17.00	26.00	36.00	30	36
DEV-25S	M36X2	M36X2	20.00	18.00	30.50	47.50	36	46
DEV-28L	M36X2	M36X2	24.00	22.00	30.50	39.00	36	41
DEV-30S	M42X2	M42X2	25.00	22.00	37.00	52.50	50	50
DEV-35L	M45X2	M45X2	20.00	28.00	37.00	48.50	50	50
DEV-38S	M52X2	M52X2	32.00	29.00	37.00	60.50	50	50
DEV-42L	M52X2	M52X2	36.00	34.00	37.00	53.50	50	60

## DET

Swivel Adjustable Branch Tee with 24° Cone



- DME&JDE Code: DET
- Product Type: Hydraulic adaptor
- Standard: DIN 2353
- Structure: Branch Tee
- Connection Type: Adjustable Male x Male x Swivel Female
- Thread Types: Metric 24° Cone x Metric 24° Cone x Metric 24° Cone



PART NUMBER	F1 (Thread)	F2 (Thread)	F3 (Thread)	L1	L2	L3	D1	D2	D3	S	S1
#	METRIC	METRIC	METRIC	mm	mm	mm	mm	mm	mm	mm	mm
DET-06L	M12X1.5	M12X1.5	M12X1.5	19.00	19.00	25.00	4.00	4.00	3.00	12	14
DET-06S	M14X1.5	M14X1.5	M14X1.5	23.00	23.00	25.50	4.00	4.00	3.00	12	17
DET-08L	M14X1.5	M14X1.5	M14X1.5	21.00	21.00	25.50	6.00	6.00	4.00	12	17
DET-08S	M16X1.5	M16X1.5	M16X1.5	24.00	24.00	27.00	5.00	5.00	4.00	14	19
DET-10L	M16X1.5	M16X1.5	M16X1.5	22.00	22.00	27.00	8.00	8.00	6.00	14	19
DET-10S	M18X1.5	M18X1.5	M18X1.5	25.00	25.00	30.00	7.00	7.00	6.00	17	22
DET-12L	M18X1.5	M18X1.5	M18X1.5	24.00	24.00	28.50	10.00	10.00	7.50	17	22
DET-12S	M20X1.5	M20X1.5	M20X1.5	29.00	29.00	31.00	8.00	8.00	8.00	17	24
DET-14S	M22X1.5	M22X1.5	M22X1.5	30.00	30.00	34.00	10.00	10.00	10.00	19	27
DET-15L	M22X1.5	M22X1.5	M22X1.5	28.00	28.00	32.50	12.00	12.00	10.00	19	27
DET-16S	M24X1.5	M24X1.5	M24X1.5	33.00	33.00	34.50	12.00	12.00	11.00	24	30
DET-18L	M26X1.5	M26X1.5	M26X1.5	31.00	31.00	33.00	15.00	15.00	12.50	24	32
DET-20S	M30X2	M30X2	M30X2	37.00	37.00	42.00	16.00	16.00	14.00	27	36
DET-22L	M30X2	M30X2	M30X2	35.00	35.00	38.50	19.00	19.00	17.00	27	36
DET-25S	M36X2	M36X2	M36X2	42.00	42.00	50.00	20.00	20.00	20.00	36	46
DET-28L	M36X2	M36X2	M36X2	38.00	38.00	40.00	24.00	24.00	22.00	36	41
DET-30S	M42X2	M42X2	M42X2	49.00	49.00	52.50	25.00	25.00	22.00	41	50
DET-35L	M45X2	M45X2	M45X2	45.00	45.00	51.00	30.00	30.00	28.00	48	50
DET-38S	M52X2	M52X2	M52X2	57.00	57.00	63.00	32.00	32.00	29.00	50	60
DET-42L	M52X2	M52X2	M52X2	51.00	51.00	56.50	36.00	36.00	34.00	50	60

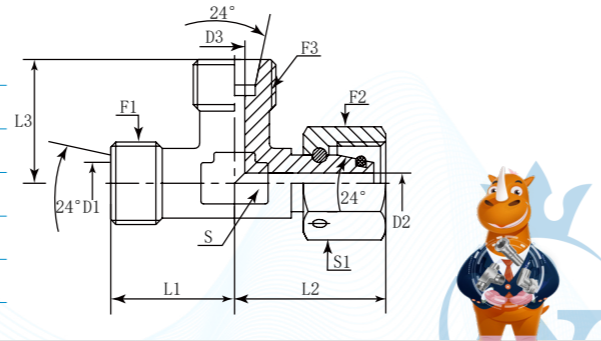


**DEL**

Swivel Adjustable Run Tee with 24° Cone



- DME&JDE Code:** DEL
- Product Type:** Hydraulic adaptor
- Standard:** DIN 2353
- Structure:** Run Tee
- Connection Type:** Adjustable Male x Swivel Female x Male
- Thread Type:** Metric 24° Cone x Metric 24° Cone x Metric 24° Cone



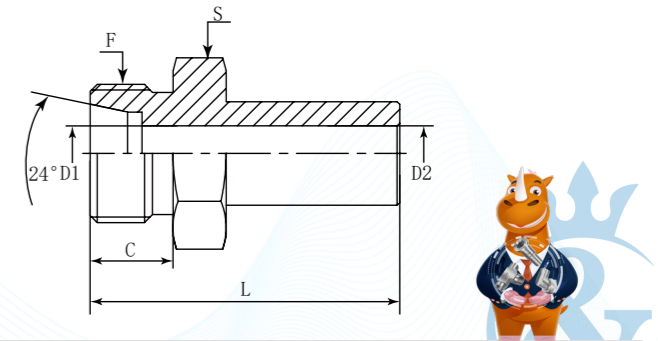
PART NUMBER	F1 (Thread)	F2 (Thread)	F3 (Thread)	L1	L2	L3	D1	D2	D3	D2	D3
#	METRIC	METRIC	METRIC	mm	mm	mm	mm	mm	mm	mm	mm
DEL-06L	M12 x 1.5	M12 x 1.5	M12 x 1.5	19.00	25.00	19.00	4.00	3.00	4.00	12	14
DEL-06S	M14 x 1.5	M14 x 1.5	M14 x 1.5	23.00	25.50	23.00	4.00	3.00	4.00	12	17
DEL-08L	M14 x 1.5	M14 x 1.5	M14 x 1.5	21.00	25.50	21.00	6.00	4.00	6.00	12	17
DEL-08S	M16 x 1.5	M16 x 1.5	M16 x 1.5	24.00	27.00	24.00	5.00	4.00	5.00	14	19
DEL-10L	M16 x 1.5	M16 x 1.5	M16 x 1.5	22.00	27.00	22.00	8.00	6.00	8.00	14	19
DEL-10S	M18 x 1.5	M18 x 1.5	M18 x 1.5	25.00	30.00	25.00	7.00	6.00	7.00	17	22
DEL-12L	M18 x 1.5	M18 x 1.5	M18 x 1.5	24.00	28.50	24.00	10.00	7.50	10.00	17	22
DEL-12S	M20 x 1.5	M20 x 1.5	M20 x 1.5	29.00	31.00	29.00	8.00	8.00	8.00	17	24
DEL-14S	M22 x 1.5	M22 x 1.5	M22 x 1.5	30.00	34.00	30.00	10.00	10.00	10.00	19	27
DEL-15L	M22 x 1.5	M22 x 1.5	M22 x 1.5	28.00	32.50	28.00	12.00	10.00	12.00	19	27
DEL-16S	M24 x 1.5	M24 x 1.5	M24 x 1.5	33.00	34.50	33.00	12.00	11.00	12.00	24	30
DEL-18L	M26 x 1.5	M26 x 1.5	M26 x 1.5	31.00	33.00	31.00	15.00	12.50	15.00	24	32
DEL-20S	M30 x 2	M30 x 2	M30 x 2	37.00	42.00	37.00	16.00	14.00	16.00	27	36
DEL-22L	M30 x 2	M30 x 2	M30 x 2	35.00	37.00	35.00	19.00	17.00	19.00	27	36
DEL-25S	M36 x 2	M36 x 2	M36 x 2	42.00	50.00	42.00	20.00	20.00	20.00	36	46
DEL-28L	M36 x 2	M36 x 2	M36 x 2	38.00	40.00	38.00	24.00	22.00	24.00	36	41
DEL-30S	M42 x 2	M42 x 2	M42 x 2	49.00	52.50	49.00	25.00	22.00	25.00	41	50
DEL-35L	M45 x 2	M45 x 2	M45 x 2	45.00	51.00	45.00	30.00	28.00	30.00	41	50
DEL-38S	M52 x 2	M52 x 2	M52 x 2	57.00	63.00	57.00	32.00	29.00	32.00	50	60
DEL-42L	M52 x 2	M52 x 2	M52 x 2	51.00	56.50	51.00	36.00	34.00	36.00	50	60

**DR**

Reducer Straight Adapter Male 24° - Standpipe



- DME&JDE Code:** DR
- Product Type:** Hydraulic adaptor
- Standard:** DIN 2353
- Structure:** Straight
- Connection Type:** Male
- Thread Types:** Metric



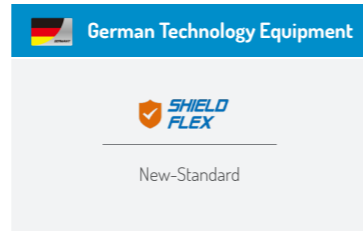
PART NUMBER	F (Thread)	D1	D2	C	L	S
#	Metric	mm	mm	mm	mm	mm
DR-08L-06L	M14X1.5	6	6	10	30.5	14
DR-08S-06S	M16X1.5	5	6	12	35	17
DR-10L-08L	M16X1.5	8	8	11	34.5	17
DR-10S-08S	M18X1.5	7	8	12	38	19
DR-12L-10L	M18X1.5	10	10	11	35.5	19
DR-12S-10S	M20X1.5	8	10	12	39.5	22
DR-14S-12S	M22X1.5	10	12	14	44	24
DR-15L-12L	M22X1.5	12	12	12	37	22
DR-16S-14S	M24X1.5	12	14	14	48	27
DR-18L-15L	M26X1.5	15	15	12	40.5	27
DR-20S-16S	M30X2	16	16	16	54	32
DR-22L-18L	M30X2	19	18	14	42	32
DR-25S-20S	M36X2	20	20	18	60	36
DR-28L-22L	M36X2	24	22	14	44	36
DR-30S-25S	M42X2	25	25	20	66.5	46
DR-35L-28L	M45X2	30	28	16	52.5	46
DR-38S-30S	M52X2	32	30	22	74.5	55
DR-42L-35L	M52X2	36	35	16	54.5	55



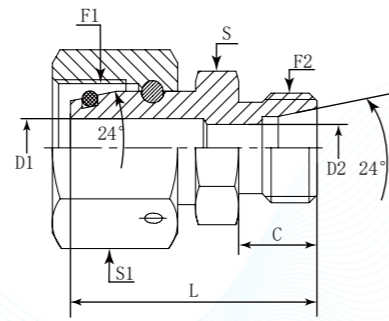


## DRED-L

Swivel Reducing Connector with 24° Cone L Series



- DME&JDE Code: DRED-L
- Product Type: Hydraulic adaptor
- Standard: DIN 2353
- Structure: Straight
- Connection Type: Swivel Female x Male
- Thread Type: Metric 24° Cone x Metric 24° Cone



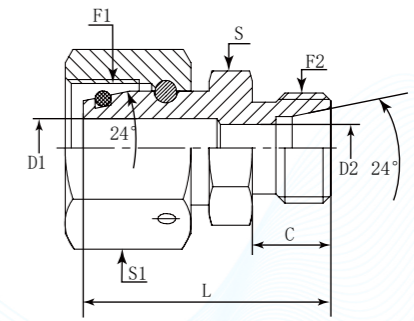
PART NUMBER	F1 (Thread)	F2 (Thread)	C	L	D1	D2	S	S1
#	Metric	Metric	mm	mm	mm	mm	mm	mm
DRED-06L-04LL	M12X1.5	M8X1	8.00	29.00	3.00	3.00	14.00	14.00
DRED-06L-06LL	M12X1.5	M10X1	8.00	29.00	3.00	4.50	12.00	14.00
DRED-08L-06L	M14X1.5	M12X1.5	10.00	29.00	4.00	4.00	12.00	17.00
DRED-10L-06L	M16X1.5	M12X1.5	10.00	30.50	4.00	4.00	14.00	19.00
DRED-10L-08L	M16X1.5	M14X1.5	10.00	31.00	6.00	6.00	17.00	19.00
DRED-12L-06L	M18X1.5	M12X1.5	10.00	32.00	7.50	4.00	17.00	22.00
DRED-12L-08L	M18X1.5	M14X1.5	10.00	31.00	7.50	6.00	17.00	22.00
DRED-12L-10L	M18X1.5	M16X1.5	11.00	33.00	7.50	7.50	17.00	22.00
DRED-15L-06L	M22X1.5	M12X1.5	10.00	34.00	10.00	4.00	19.00	27.00
DRED-15L-08L	M22X1.5	M14X1.5	10.00	34.00	10.00	6.00	19.00	27.00
DRED-15L-10L	M22X1.5	M16X1.5	11.00	35.50	10.00	8.00	19.00	27.00
DRED-15L-12L	M22X1.5	M18X1.5	11.00	35.50	10.00	10.00	19.00	27.00
DRED-18L-06L	M26X1.5	M12X1.5	10.00	36.00	12.50	4.00	24.00	32.00
DRED-18L-08L	M26X1.5	M14X1.5	10.00	36.00	12.50	6.00	27.00	32.00
DRED-18L-10L	M26X1.5	M16X1.5	11.00	37.00	12.50	8.00	24.00	32.00
DRED-18L-12L	M26X1.5	M18X1.5	11.00	37.50	12.50	10.00	24.00	32.00
DRED-18L-15L	M26X1.5	M22X1.5	12.00	36.50	12.00	12.00	24.00	32.00
DRED-22L-08L	M30X2	M14X1.5	10.00	37.50	17.00	6.00	27.00	36.00
DRED-22L-10L	M30X2	M16X1.5	11.00	38.00	14.00	8.00	27.00	36.00
DRED-22L-12L	M30X2	M18X1.5	11.00	39.00	14.00	10.00	27.00	36.00
DRED-22L-15L	M30X2	M22X1.5	12.00	39.00	17.00	12.00	27.00	36.00
DRED-22L-18L	M30X2	M26X1.5	12.00	41.00	15.00	15.00	27.00	36.00
DRED-28L-08L	M36X2	M14X1.5	10.00	40.50	22.00	6.00	36.00	41.00
DRED-28L-10L	M36X2	M16X1.5	11.00	41.50	22.00	8.00	36.00	41.00
DRED-28L-12L	M36X2	M18X1.5	11.00	41.50	22.00	10.00	36.00	41.00
DRED-28L-15L	M36X2	M22X1.5	12.00	42.50	22.00	12.00	36.00	41.00
DRED-28L-18L	M36X2	M26X1.5	12.00	42.50	22.00	15.00	36.00	41.00
DRED-28L-22L	M36X2	M30X2	14.00	44.50	22.00	19.00	36.00	41.00
DRED-35L-15L	M45X2	M22X1.5	12.00	46.00	28.00	12.00	41.00	50.00
DRED-35L-18L	M45X2	M26X1.5	12.00	46.00	28.00	15.00	41.00	50.00
DRED-35L-22L	M45X2	M30X2	14.00	47.50	28.00	19.00	46.00	50.00
DRED-35L-28L	M45X2	M36X2	14.00	46.00	28.00	24.00	41.00	50.00
DRED-42L-10L	M52X2	M16X1.5	11.00	47.50	34.00	8.00	50.00	60.00
DRED-42L-12L	M52X2	M18X1.5	11.00	47.50	34.00	10.00	50.00	60.00
DRED-42L-15L	M52X2	M22X1.5	12.00	48.50	34.00	12.00	50.00	60.00
DRED-42L-18L	M52X2	M26X1.5	12.00	48.50	34.00	15.00	50.00	60.00
DRED-42L-22L	M52X2	M30X2	14.00	50.00	34.00	19.00	50.00	60.00
DRED-42L-28L	M52X2	M36X2	14.00	50.00	34.00	24.00	50.00	60.00
DRED-42L-35L	M52X2	M45X2	16.00	52.00	34.00	30.00	50.00	60.00

## DRED-S

Swivel Reducing Connector with 24° Cone S Series



- DME&JDE Code: DRED-S
- Product Type: Hydraulic adaptor
- Standard: DIN 2353
- Structure: Straight
- Connection Type: Swivel Female x Male
- Thread Types: Metric 24° Cone x Metric 24° Cone



PART NUMBER	F1 (Thread)	F2 (Thread)	C	L	D1	D2	S	S1
#	Metric	Metric	mm	mm	mm	mm	mm	mm
DRED-08S-06S	M16X1.5	M14X1.5	12.00	34.00	4.00	4.00	14.00	19.00
DRED-10S-06S	M18X1.5	M14X1.5	12.00	35.50	5.00	4.00	17.00	22.00
DRED-10S-08S	M18X1.5	M16X1.5	12.00	35.50	5.00	5.00	17.00	22.00
DRED-12S-06S	M20X1.5	M14X1.5	12.00	34.50	8.00	4.00	17.00	24.00
DRED-12S-08S	M20X1.5	M16X1.5	12.00	34.50	8.00	5.00	17.00	24.00
DERD-12S-10S	M20X1.5	M18X1.5	12.00	35.50	8.00	7.00	19.00	24.00
DRED-14S-06S	M22X1.5	M14X1.5	12.00	38.50	8.00	4.00	19.00	27.00
DRED-14S-08S	M22X1.5	M16X1.5	12.00	38.50	8.00	5.00	19.00	27.00
DERD-14S-10S	M22X1.5	M18X1.5	12.00	38.00	7.00	7.00	19.00	27.00
DRED-14S-12S	M22X1.5	M20X1.5	12.00	43.00	8.00	8.00	22.00	27.00
DRED-16S-08S	M24X1.5	M16X1.5	12.00	36.50	10.00	5.00	22.00	30.00
DERD-16S-10S	M24X1.5	M18X1.5	12.00	36.50	10.00	7.00	22.00	30.00
DRED-16S-12S	M24X1.5	M20X1.5	12.00	37.00	10.00	8.00	22.00	30.00
DRED-16S-14S	M24X1.5	M22X1.5	14.00	43.00	10.00	10.00	24.00	30.00
DRED-20S-08S	M30X2	M16X1.5	12.00	42.00	14.00	5.00	27.00	36.00
DERD-20S-10S	M30X2	M18X1.5	12.00	42.00	14.00	7.00	27.00	36.00
DRED-20S-12S	M30X2	M20X1.5	12.00	40.00	14.00	8.00	27.00	36.00
DRED-20S-14S	M30X2	M22X1.5	14.00	42.00	14.00	10.00	27.00	36.00
DRED-20S-16S	M30X2	M24X1.5	14.00	42.00	14.00	12.00	27.00	36.00
DRED-25S-08S	M36X2	M16X1.5	12.00	45.50	18.00	5.00	32.00	46.00
DERD-25S-10S	M36X2	M18X1.5	12.00	46.50	18.00	7.00	32.00	46.00
DRED-25S-12S	M36X2	M20X1.5	12.00	46.50	18.00	8.00	32.00	46.00
DRED-25S-14S	M36X2	M22X1.5	14.00	48.00	18.00	10.00	32.00	46.00
DRED-25S-20S	M36X2	M30X2	16.00	50.00	18.00	16.00	32.00	46.00
DRED-30S-08S	M42X2	M16X1.5	12.00	47.00	22.00	5.00	41.00	50.00
DRED-30S-12S	M42X2	M20X1.5	12.00	45.50	22.00	8.00	41.00	50.00
DRED-30S-20S	M42X2	M30X2	16.00	49.50	22.00	16.00	41.00	50.00
DRED-30S-25S	M42X2	M36X2	18.00	51.50	22.00	20.00	41.00	50.00
DRED-38S-12S	M52X2	M20X1.5	12.00	54.50	30.00	8.00	50.00	60.00
DRED-38S-14S	M52X2	M22X1.5	14.00	56.50	30.00	10.00	50.00	60.00
DRED-38S-16S	M52X2	M24X1.5	14.00	56.50	30.00	12.00	50.00	60.00
DRED-38S-20S	M52X2	M30X2	16.00	58.50	30.00	16.00	50.00	60.00
DRED-38S-25S	M52X2	M36X2	18.00	60.50	30.00	20.00	50.00	60.00
DRED-38S-30S	M52X2	M42X2	20.00	60.50	30.00	25.00	50.00	60.00

## DEGE-G

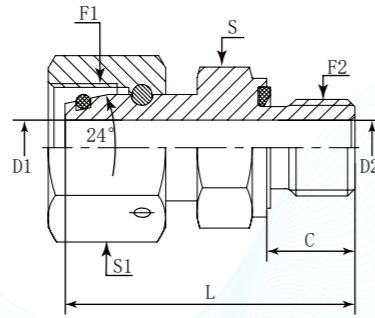
Swivel Female Connector (BSPP Male) with 24° Cone and ED Ring

German Technology Equipment

**SHIELD FLEX**

New-Standard

- DME&JDE Code: **DEGE-G**
- Product Type: **Hydraulic adaptor**
- Standard: **DIN 2353**
- Structure: **Straight**
- Connection Type: **Swivel Female x Male**
- Thread Type: **Metric 24° Cone x BSPP**
- Sealing Method: **ED Rings**



PART NUMBER	F1 (Thread)	F2 (Thread)	C	L	D1	D2	S	S1
#	Metric	BSPP	mm	mm	mm	mm	mm	mm
DEGE-06L-01G	M12X1.5	1/8"-28	8.00	30.50	3.00	3.00	14.00	14.00
DEGE-06L-02G	M12X1.5	1/4"-19	12.00	37.00	3.00	3.00	19.00	14.00
DEGE-06S-02G	M14X1.5	1/4"-19	12.00	36.50	3.00	3.00	19.00	17.00
DEGE-08L-02G	M14X1.5	1/4"-19	12.00	41.50	4.00	4.00	19.00	17.00
DEGE-08S-02G	M16X1.5	1/4"-19	12.00	41.50	4.00	4.00	19.00	19.00
DEGE-10L-02G	M16X1.5	1/4"-19	12.00	39.50	6.00	6.00	19.00	19.00
DEGE-10S-02G	M18X1.5	1/4"-19	12.00	38.50	6.00	6.00	19.00	22.00
DEGE-10S-03G	M18X1.5	3/8"-19	12.00	42.50	6.00	9.90	22.00	22.00
DEGE-12L-02G	M18X1.5	1/4"-19	12.00	39.50	7.50	7.50	19.00	22.00
DEGE-12L-03G	M18X1.5	3/8"-19	12.00	46.00	7.50	7.50	22.00	22.00
DEGE-12L-04G	M18X1.5	1/2"-14	14.00	43.50	8.00	8.00	27.00	22.00
DEGE-12S-03G	M20X1.5	3/8"-19	12.00	44.00	8.00	8.00	22.00	24.00
DEGE-12S-04G	M20X1.5	1/2"-14	14.00	40.50	8.00	12.00	27.00	24.00
DEGE-14S-04G	M22X1.5	1/2"-14	14.00	44.50	10.00	10.00	27.00	27.00
DEGE-15L-04G	M22X1.5	1/2"-14	14.00	46.00	12.00	12.00	27.00	27.00
DEGE-16S-04G	M24X1.5	1/2"-14	14.00	49.00	10.00	10.00	27.00	30.00
DEGE-18L-04G	M26X1.5	1/2"-14	14.00	45.50	12.50	12.50	27.00	32.00
DEGE-20S-06G	M30X2	3/4"-14	16.00	50.00	14.00	14.00	32.00	36.00
DEGE-20S-08G	M30X2	1"-11	18.00	56.50	14.00	20.00	41.00	36.00
DEGE-22L-04G	M30X2	1/2"-14	14.00	44.50	17.00	12.50	27.00	36.00
DEGE-22L-06G	M30X2	3/4"-14	16.00	47.50	17.00	17.00	32.00	36.00
DEGE-25S-08G	M36X2	1"-11	18.00	60.00	18.00	18.00	41.00	46.00
DEGE-28L-08G	M36X2	1"-11	18.00	53.00	22.00	22.00	41.00	41.00
DEGE-30S-10G	M42X2	1-1/4"-11	20.00	65.50	22.00	27.50	50.00	50.00
DEGE-35L-10G	M45X2	1-1/4"-11	20.00	60.00	27.50	27.50	50.00	50.00
DEGE-38S-12G	M52X2	1-1/2"-11	22.00	82.00	29.00	29.00	55.00	60.00
DEGE-42L-12G	M52X2	1-1/2"-11	22.00	63.00	34.00	29.00	55.00	60.00

## DEGE-M

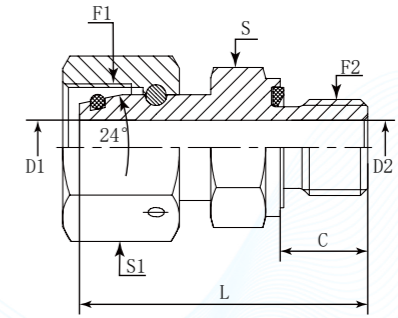
Swivel Female Connector (Metric Male) with 24° Cone and ED Ring

German Technology Equipment

**SHIELD FLEX**

New-Standard

- DME&JDE Code: **DEGE-M**
- Product Type: **Hydraulic adaptor**
- Standard: **DIN 2353**
- Structure: **Straight**
- Connection Type: **Swivel Female x Male**
- Thread Types: **Metric 24° Cone x Metric**
- Sealing Method: **ED Rings**



PART NUMBER	F1 (Thread)	F2 (Thread)	C	L	D1	D2	S	S1
#	Metric	Metric	mm	mm	mm	mm	mm	mm
DEGE-06L-M10	M12X1.5	M10X1	8.00	30.50	3.00	3.00	14.00	14.00
DEGE-06S-M12	M14X1.5	M12X1.5	12.00	37.00	3.00	3.00	17.00	17.00
DEGE-08L-M12	M14X1.5	M12X1.5	12.00	38.50	4.00	4.00	17.00	17.00
DEGE-08S-M14	M16X1.5	M14X1.5	12.00	36.50	4.00	4.00	19.00	19.00
DEGE-10L-M14	M16X1.5	M14X1.5	12.00	39.50	6.00	6.00	19.00	19.00
DEGE-10S-M16	M18X1.5	M16X1.5	12.00	39.00	6.00	6.00	22.00	22.00
DEGE-12S-M18	M20X1.5	M18X1.5	12.00	44.00	8.00	8.00	24.00	24.00
DEGE-15L-M18	M22X1.5	M18X1.5	12.00	43.50	11.00	11.00	24.00	27.00
DEGE-18L-M22	M26X1.5	M22X1.5	14.00	45.50	12.00	12.00	27.00	32.00
DEGE-20S-M27	M30X2	M27X2	16.00	57.00	14.00	14.00	32.00	36.00
DEGE-28L-M33	M36X2	M33X2	18.00	53.00	22.00	20.00	41.00	41.00
DEGE-35L-M42	M45X2	M42X2	20.00	60.00	28.00	28.00	50.00	50.00
DEGE-38S-M48	M52X2	M48X2	22.00	79.50	30.00	30.00	55.00	60.00
DEGE-42L-M48	M52X2	M48X2	22.00	64.00	32.00	32.00	55.00	60.00

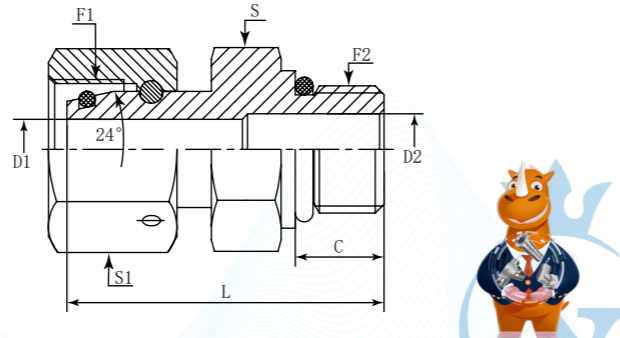


## DEGE-U

DIN 2353 Swivel Female Connector SAE MALE with O Ring



- DME&JDE Code: **DEGE-M**
- Product Type: **Hydraulic adaptor**
- Standard: **DIN 2353**
- Structure: **Straight**
- Connection Type: **Swivel Female x Male**
- Thread Type: **Metric x UNF**
- Sealing Method: **O Ring**



Technical Data of DEGE-U

PART NUMBER #	F1 (Thread) METRIC	F2 (Thread) UNF	C mm	D1 mm	D2 mm	L mm	S mm	S1 mm
DEGE-06L-04U	M12 x 1.5	7/16"-20	9.14	3	3	30	14	14
DEGE-06L-05U	M12 x 1.5	1/2"-20	9.14	3	5.94	30	14	14
DEGE-06S-04U	M14 x 1.5	7/16"-20	9.14	3	4.37	31	14	17
DEGE-08L-04U	M14 x 1.5	7/16"-20	9.14	4	4	30	14	17
DEGE-08L-06U	M14 x 1.5	9/16"-18	9.93	4	7.54	31	17	17
DEGE-08S-04U	M16 x 1.5	7/16"-20	9.14	4	4	31	14	19
DEGE-08S-06U	M16 x 1.5	9/16"-18	9.93	4	7.54	32	17	19
DEGE-10L-05U	M16 x 1.5	1/2"-20	9.14	5.94	5.94	31	17	19
DEGE-10L-06U	M16 x 1.5	9/16"-18	9.93	6	7.54	32	17	19
DEGE-10L-08U	M16 x 1.5	3/4"-16	11.13	6	9.93	35.5	19	19
DEGE-10S-06U	M18 x 1.5	9/16"-18	9.93	6	6	33	19	22
DEGE-10S-08U	M18 x 1.5	3/4"-16	11.13	6	9.93	35	19	22
DEGE-12L-06U	M18 x 1.5	9/16"-18	9.93	7.5	7.5	35	19	22
DEGE-12L-08U	M18 x 1.5	3/4"-16	11.13	7.5	9.93	37.5	19	22
DEGE-12S-06U	M20 x 1.5	9/16"-18	9.93	7.54	7.54	36	19	24
DEGE-12S-08U	M20 x 1.5	3/4"-16	11.13	8	9.93	37	19	24
DEGE-14S-10U	M22 x 1.5	7/8"-14	12.7	8	12.29	43	24	27
DEGE-15L-06U	M22 x 1.5	9/16"-18	9.93	10	7.54	36	22	27
DEGE-15L-08U	M22 x 1.5	3/4"-16	11.13	9.93	9.93	36.5	19	27
DEGE-15L-10U	M22 x 1.5	7/8"-14	12.7	10	12.29	42	24	27
DEGE-16S-08U	M24 x 1.5	3/4"-16	11.13	9.93	9.93	38	22	30
DEGE-16S-10U	M24 x 1.5	7/8"-14	12.7	10	12.29	42	24	30
DEGE-16S-12U	M24 x 1.5	1"1/16-12	15.09	10	15.47	45	27	30
DEGE-18L-08U	M26 x 1.5	3/4"-16	11.13	9.93	9.93	40	27	32
DEGE-18L-10U	M26 x 1.5	7/8"-14	12.7	12.29	12.29	42	27	32
DEGE-18L-12U	M26 x 1.5	1"1/16-12	15.09	12.5	15.47	45	30	32
DEGE-20S-10U	M30 x 2	7/8"-14	12.7	12.29	12.29	46	30	36
DEGE-20S-12U	M30 x 2	1"1/16-12	15.09	14	14	49	30	36
DEGE-22L-12U	M30 x 2	1"1/16-12	15.09	15.47	15.47	47	32	36
DEGE-22L-16U	M30 x 2	1"5/16-12	15.09	17	21.44	55	36	36
DEGE-25S-16U	M36 x 2	1"5/16-12	15.09	18	21.44	55	36	46
DEGE-28L-16U	M36 x 2	1"5/16-12	15.09	21.44	21.44	53	41	41
DEGE-28L-20U	M36 x 2	1"5/8-12	15.09	22	27.38	54.5	41	41
DEGE-30S-12U	M42 x 2	1"1/16-12	15.09	22	15.47	53.5	41	50
DEGE-30S-20U	M42 x 2	1"5/8-12	15.09	22	27.38	57	46	50
DEGE-30S-24U	M42 x 2	1"7/8-12	15.09	22	33.32	62	50	50
DEGE-35L-20U	M45 x 2	1"5/8-12	15.09	27.38	27.38	54.5	46	50
DEGE-35L-24U	M45 x 2	1"7/8-12	15.09	28	33.32	60	50	50
DEGE-38S-24U	M52 x 2	1"7/8-12	15.09	30	33.32	75	50	50
DEGE-38S-32U	M52 x 2	2"1/2-12	15.09	30	45.25	79	65	60
DEGE-42L-24U	M52 x 2	1"7/8-12	15.09	33.32	33.32	60	55	60
DEGE-42L-32U	M52 x 2	2"1/2-12	15.09	34	45.25	70	65	60

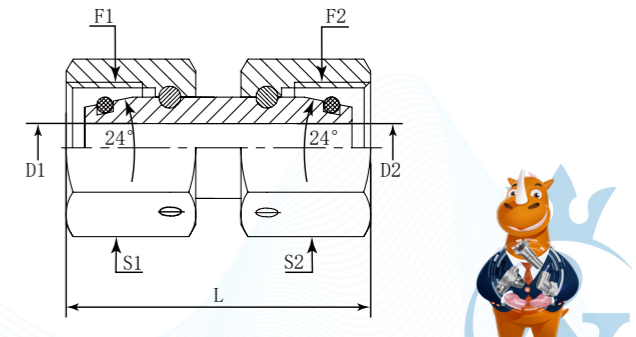


## DUE

Swivel Female Connector with 24° Cone



- DME&JDE Code: **DUE**
- Product Type: **Hydraulic adaptor**
- Standard: **DIN 2353**
- Structure: **Straight**
- Connection Type: **Swivel Female x Swivel Female**
- Thread Types: **Metric 24° Cone x Metric 24° Cone**
- Sealing Method: **ED Rings**



PART NUMBER #	F1/F2 (Thread) Metric	D1/D2 mm	L mm	S1/S2 mm
DUE-06L	M12X1.5	3.00	30.00	14.00
DUE-06S	M14X1.5	3.00	32.00	17.00
DUE-08L	M14X1.5	4.00	33.00	17.00
DUE-08S	M16X1.5	4.00	33.00	19.00
DUE-10L	M16X1.5	6.00	33.00	19.00
DUE-10S	M18X1.5	6.00	33.00	22.00
DUE-12L	M18X1.5	7.50	33.00	22.00
DUE-12S	M20X1.5	8.00	37.00	24.00
DUE-14S	M22X1.5	8.00	39.00	27.00
DUE-15L	M22X1.5	10.00	37.00	27.00
DUE-16S	M24X1.5	10.00	39.00	30.00
DUE-18L	M26X1.5	12.50	36.00	32.00
DUE-20S	M30X2	14.00	53.50	36.00
DUE-22L	M30X2	17.00	42.00	36.00
DUE-25S	M36X2	18.00	55.00	46.00
DUE-28L	M36X2	22.00	45.00	41.00
DUE-30S	M42X2	22.00	52.00	50.00
DUE-35L	M45X2	28.00	48.00	50.00
DUE-38S	M52X2	30.00	61.00	60.00
DUE-42L	M52X2	34.00	48.00	60.00



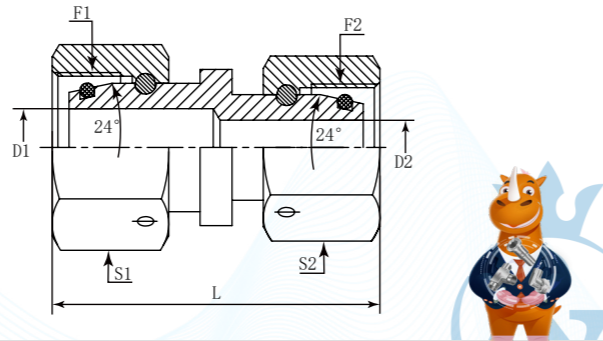


DUER

DIN 2353 Swivel Female Reducing Coupling with 24° Cone



- DME&JDE Code: DUER
- Product Type: Hydraulic adaptor
- Standard: DIN 2353
- Structure: Straight
- Connection Type: Swivel Female x Swivel Female
- Thread Type: Metric 24° Cone x Metric 24° Cone



PART NUMBER	F1 (Thread)	F2 (Thread)	D1	D2	L	S1	S2
#	METRIC	METRIC	mm	mm	mm	mm	mm
DUER-08L-06L	M14X1.5	M12X1.5	3	3	32.5	17	14
DUER-08S-06S	M16X1.5	M14X1.5	3	3	33.5	19	17
DUER-10L-06L	M16X1.5	M12X1.5	6	3	33	19	14
DUER-10L-08L	M16X1.5	M14X1.5	6	4	32.5	19	17
DUER-10S-06S	M18X1.5	M14X1.5	6	3	34.5	22	17
DUER-10S-08S	M18X1.5	M16X1.5	6	4	34.5	22	19
DUER-12L-06L	M18X1.5	M12X1.5	7.5	3	36	22	14
DUER-12L-08L	M18X1.5	M14X1.5	7.5	4	35.5	22	17
DUER-12L-10L	M18X1.5	M16X1.5	6	6	36	22	19
DUER-12S-06S	M20X1.5	M14X1.5	8	3	37	24	17
DUER-12S-08S	M20X1.5	M16X1.5	8	4	36.5	24	19
DUER-12S-10S	M20X1.5	M18X1.5	8	6	37.5	24	22
DUER-15L-08L	M22X1.5	M14X1.5	10	4	36	27	17
DUER-15L-10L	M22X1.5	M16X1.5	10	6	36.5	27	19
DUER-15L-12L	M22X1.5	M18X1.5	10	7.5	39.5	27	22
DUER-16S-10S	M24X1.5	M18X1.5	10	6	38	30	22
DUER-16S-12S	M24X1.5	M20X1.5	10	8	40	30	24
DUER-18L-10L	M26X1.5	M16X1.5	12.5	6	37	32	19
DUER-18L-12L	M26X1.5	M18X1.5	12.5	7.5	40	32	22
DUER-18L-15L	M26X1.5	M22X1.5	12.5	10	40	32	27
DUER-20S-12S	M30X2	M20X1.5	14	8	41	36	24
DUER-20S-16S	M30X2	M24X1.5	14	10	41	36	30
DUER-22L-12L	M30X2	M18X1.5	17	7.5	41.5	36	22
DUER-22L-15L	M30X2	M22X1.5	17	10	41.5	36	27
DUER-22L-18L	M30X2	M26X1.5	17	12.5	41.5	36	32
DUER-25S-16S	M36X2	M24X1.5	18	10	47.5	46	30
DUER-25S-20S	M36X2	M30X2	18	14	48.5	46	36
DUER-28L-15L	M36X2	M22X1.5	22	10	43.5	41	27
DUER-28L-18L	M36X2	M26X1.5	22	12.5	43.5	41	32
DUER-28L-22L	M36X2	M30X2	22	17	45	41	36
DUER-30S-16S	M42X2	M24X1.5	22	10	46.5	50	30
DUER-30S-20S	M42X2	M30X2	22	14	47.5	50	36
DUER-30S-25S	M42X2	M36X2	22	18	54	50	46
DUER-35L-18L	M45X2	M26X1.5	28	12.5	45	50	32
DUER-35L-22L	M45X2	M30X2	28	17	46.5	50	36
DUER-35L-28L	M45X2	M36X2	28	22	48.5	50	41
DUER-38S-20S	M52X2	M30X2	30	14	54	60	36
DUER-38S-25S	M52X2	M36X2	30	18	60.5	60	46
DUER-38S-30S	M52X2	M42X2	30	22	59.5	60	50
DUER-42L-22L	M52X2	M30X2	34	17	48	60	36
DUER-42L-28L	M52X2	M36X2	34	22	50	60	41
DUER-42L-35L	M52X2	M45X2	34	28	51.5	60	50

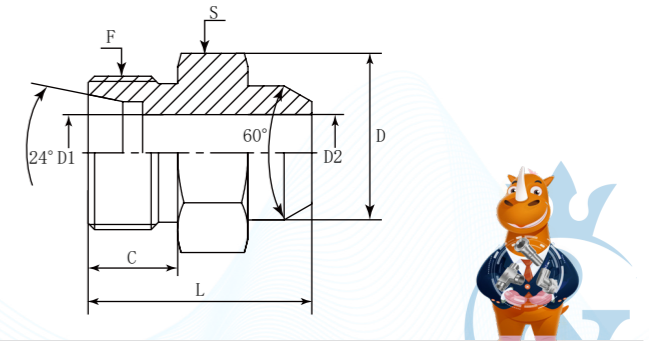


DAS

Welding Connector



- DME&JDE Code: DAS
- Product Type: Hydraulic adaptor
- Standard: DIN 2353
- Structure: Straight
- Connection Type: Male
- Thread Types: Metric
- Sealing Method: Welding



PART NUMBER	F (Thread)	C	D	D1/D2	L	S
#	Metric	mm	mm	mm	mm	mm
DAS-06L	M12X1.5	10.00	10.00	4.00	21.00	12.00
DAS-06S	M14X1.5	12.00	11.00	4.00	26.00	14.00
DAS-08L	M14X1.5	10.00	12.00	6.00	23.00	14.00
DAS-08S	M16X1.5	12.00	13.00	5.00	28.00	17.00
DAS-10L	M16X1.5	11.00	14.00	8.00	25.00	17.00
DAS-12L	M18X1.5	11.00	16.00	10.00	25.00	19.00
DAS-12S	M20X1.5	12.00	17.00	8.00	32.00	22.00
DAS-15L	M22X1.5	12.00	19.00	12.00	29.00	22.00
DAS-16S	M24X1.5	14.00	21.00	12.00	35.00	27.00
DAS-18L	M26X1.5	12.00	22.00	15.00	31.00	27.00
DAS-20S	M30X2	16.00	26.00	16.00	40.00	32.00
DAS-22L	M30X2	14.00	27.00	19.00	36.00	32.00
DAS-25S	M36X2	18.00	31.00	20.00	44.00	41.00
DAS-30S	M42X2	20.00	36.00	25.00	49.00	46.00
DAS-35L	M45X2	16.00	40.00	30.00	43.00	46.00
DAS-38S	M52X2	22.00	44.00	32.00	54.00	55.00
DAS-42L	M52X2	16.00	46.00	36.00	46.00	55.00



**DAK**

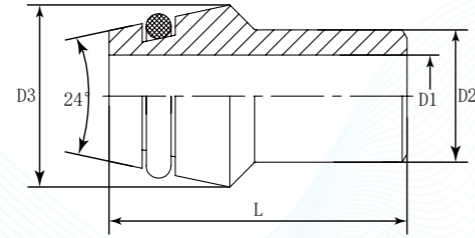
Welding Nipple with O Ring

German Technology Equipment

**SHIELD FLEX**

New-Standard

- DME&JDE Code: **DAK**
- Product Type: **Hydraulic adaptor**
- Standard: **DIN 2353**
- Structure: **Straight**
- Sealing Method: **Welding and O Rings**



PART NUMBER	L	D1	D2	D3
#	mm	mm	mm	mm
DAK-06L	31.00	3.00	6.00	9.00
DAK-06S	31.00	2.50	6.00	9.00
DAK-08L	31.00	5.00	8.00	11.00
DAK-08S	31.00	4.00	8.00	11.00
DAK-10L	32.50	7.00	10.00	14.00
DAK-10S	32.50	6.00	10.00	14.00
DAK-12L	32.50	8.00	12.00	16.00
DAK-12S	32.50	7.00	12.00	16.00
DAK-15L	34.00	10.00	15.00	18.00
DAK-16S	39.00	11.00	16.00	20.00
DAK-18L	35.50	13.00	18.00	21.00
DAK-20S	45.00	14.00	20.00	24.00
DAK-22L	38.50	17.00	22.00	25.00
DAK-28L	41.50	23.00	28.00	31.00

**MFAD-ED**

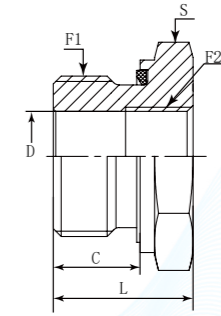
Male Female Bushing Connector BSPP with ED Ring

German Technology Equipment

**SHIELD FLEX**

New-Standard

- DME&JDE Code: **MFAD-ED**
- Product Type: **Hydraulic adaptor**
- Standard: **DIN 2353**
- Structure: **Straight**
- Connection Type: **Male x Female**
- Thread Types: **BSPP x BSPP**
- Sealing Method: **ED Rings**



PART NUMBER	F1 (Thread)	F2 (Thread)	C	D	L	S
#	BSPP	BSPP	mm	mm	mm	mm
MFAD-03ED-01G	3/8"-19	1/8"-28	12.00	8.00	22.50	22.00
MFAD-04ED-01G	1/2"-14	1/8"-28	14.00	8.57	24.00	27.00
MFAD-04ED-02G	1/2"-14	1/4"-19	14.00	11.45	24.00	27.00
MFAD-06ED-02G	3/4"-14	1/4"-19	16.00	11.45	26.00	32.00
MFAD-06ED-03G	3/4"-14	3/8"-19	16.00	14.95	26.00	32.00
MFAD-08ED-02G	1"-11	1/4"-19	18.00	11.45	29.00	41.00
MFAD-08ED-03G	1"-11	3/8"-19	18.00	14.95	29.00	41.00
MFAD-08ED-04G	1"-11	1/2"-14	18.00	18.63	29.00	41.00
MFAD-10ED-04G	1-1/4"-11	1/2"-14	20.00	18.63	32.00	50.00
MFAD-10ED-06G	1-1/4"-11	3/4"-14	20.00	24.12	32.00	50.00
MFAD-12ED-04G	1-1/2"-11	1/2"-14	22.00	18.63	36.00	55.00
MFAD-12ED-06G	1-1/2"-11	3/4"-14	22.00	24.12	36.00	55.00
MFAD-12ED-08G	1-1/2"-11	1"-11	22.00	30.29	36.00	55.00
MFAD-16ED-08G	2"-11	1"-11	22.00	30.29	41.00	70.00
MFAD-16ED-10G	2"-11	1-1/4"-11	22.00	38.96	41.00	70.00



## MFAE-ED

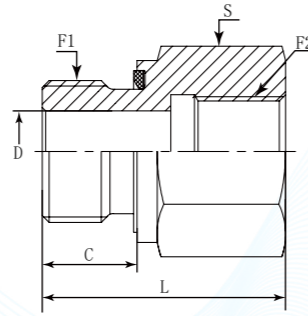
Male Female Connector BSPP with ED Ring

German Technology Equipment

**SHIELD FLEX**

New-Standard

- DME&JDE Code: **MFAE-ED**
- Product Type: **Hydraulic adaptor**
- Standard: **DIN 2353**
- Structure: **Straight**
- Connection Type: **Male x Female**
- Thread Types: **Metric x BSPP**
- Sealing Method: **ED Rings**



PART NUMBER	F1 (Thread)	F2 (Thread)	C	D	L	S
#	Metric	BSPP	mm	mm	mm	mm
MFAE-01ED-01G	1/8"-28	1/8"-28	8.00	4.00	23.50	14.00
MFAE-01ED-02G	1/8"-28	1/4"-19	8.00	4.00	31.00	19.00
MFAE-01ED-03G	1/8"-28	3/8"-19	8.00	4.00	32.00	24.00
MFAE-02ED-01G	1/4"-19	1/8"-28	12.00	5.00	28.00	19.00
MFAE-02ED-02G	1/4"-19	1/4"-19	12.00	5.00	35.50	19.00
MFAE-02ED-03G	1/4"-19	3/8"-19	12.00	6.00	36.00	24.00
MFAE-02ED-04G	1/4"-19	1/2"-14	12.00	5.00	40.00	27.00
MFAE-02ED-06G	1/4"-19	3/4"-14	12.00	5.00	43.00	36.00
MFAE-03ED-02G	3/8"-19	1/4"-19	12.00	8.00	36.00	22.00
MFAE-03ED-04G	3/8"-19	1/2"-14	12.00	8.00	41.00	30.00
MFAE-03ED-06G	3/8"-19	3/4"-14	12.00	8.00	44.00	36.00
MFAE-04ED-03G	1/2"-14	3/8"-19	14.00	12.30	36.00	27.00
MFAE-04ED-04G	1/2"-14	1/2"-14	14.00	12.00	39.00	27.00
MFAE-04ED-06G	1/2"-14	3/4"-14	14.00	12.00	46.00	36.00
MFAE-04ED-08G	1/2"-14	1"-11	14.00	12.00	49.00	41.00
MFAE-06ED-04G	3/4"-14	1/2"-14	16.00	16.00	41.00	32.00
MFAE-06ED-06G	3/4"-14	3/4"-14	16.00	16.00	48.00	32.00
MFAE-06ED-10G	3/4"-14	1-1/4"-11	16.00	16.00	55.00	55.00
MFAE-06ED-12G	3/4"-14	1-1/2"-11	16.00	16.00	57.00	60.00
MFAE-08ED-06G	1"-11	3/4"-14	18.00	20.00	47.00	41.00
MFAE-08ED-10G	1"-11	1-1/4"-11	18.00	20.00	57.00	55.00
MFAE-08ED-12G	1"-11	1-1/2"-11	18.00	20.00	59.00	60.00
MFAE-10ED-06G	1-1/4"-11	3/4"-14	20.00	25.00	50.00	50.00
MFAE-10ED-08G	1-1/4"-11	1"-11	20.00	25.00	52.00	50.00
MFAE-10ED-12G	1-1/4"-11	1-1/2"-11	20.00	25.00	60.00	60.00
MFAE-12ED-10G	1-1/2"-11	1-1/4"-11	22.00	32.00	58.00	55.00
MFAE-12ED-16G	1-1/2"-11	2"-11	22.00	32.00	66.00	70.00

## DVSTI-GED

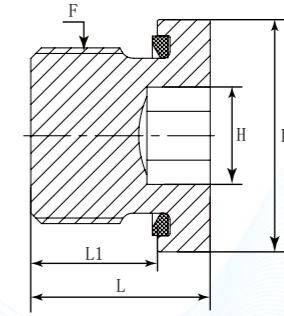
Blanking Plug BSPP for Port with ED Ring

German Technology Equipment

**SHIELD FLEX**

New-Standard

- DME&JDE Code: **DVSTI-GED**
- Product Type: **Hydraulic adaptor**
- Standard: **DIN 2353**
- Sealing Method: **ED Rings**
- Other Features: **Nut/Plug**



PART NUMBER	F (Thread)	D	L1	L	H
#	BSPP	mm	mm	mm	mm
DVSTI-01GED	1/8"-28	14.00	8.00	12.00	5.00
DVSTI-02GED	1/4"-19	19.00	12.00	17.00	6.00
DVSTI-03GED	3/8"-19	22.00	12.00	17.00	8.00
DVSTI-04GED	1/2"-14	27.00	14.00	19.00	10.00
DVSTI-06GED	3/4"-14	32.00	16.00	21.00	12.00
DVSTI-08GED	1"-11	39.90	16.00	22.50	17.00
DVSTI-10GED	1-1/4"-11	49.90	16.00	22.50	22.00
DVSTI-12GED	1-1/2"-11	55.00	16.00	22.50	24.00
DVSTI-16GED	2"-11	70.50	20.00	29.00	32.00





## DVSTI-MED

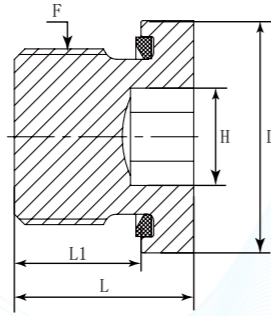
Blanking Plug Metric for Port with ED Ring

German Technology Equipment

**SHIELD FLEX**

New-Standard

- DME&JDE Code: DVSTI-MED
- Product Type: Hydraulic adaptor
- Adaptor Standard: DIN 2353
- Thread Types: Metric
- Sealing Method: ED Rings
- Other Features: Nut/Plug



PART NUMBER	F (Thread)	D	L1	L	H
#	Metric	mm	mm	mm	mm
DVSTI-M08ED	M8X1	12.00	8.00	12.00	4.00
DVSTI-M10ED	M10X1	14.00	8.00	12.00	5.00
DVSTI-M12ED	M12X1.5	17.00	12.00	17.00	6.00
DVSTI-M14ED	M14X1.5	19.00	12.00	17.00	6.00
DVSTI-M16ED	M16X1.5	21.90	12.00	17.00	8.00
DVSTI-M18ED	M18X1.5	23.90	12.00	17.00	8.00
DVSTI-M22ED	M22X1.5	27.00	14.00	19.00	10.00
DVSTI-M24ED	M24X1.5	29.80	14.00	19.30	10.00
DVSTI-M27ED	M27X2	31.90	16.00	21.00	12.00
DVSTI-M30ED	M30X2	39.90	16.00	22.50	17.00
DVSTI-M33ED	M33X2	39.90	16.00	22.50	17.00
DVSTI-M48ED	M48X2	55.00	16.00	22.50	24.00
DVSTI-M60ED	M60X2	70.00	18.00	25.00	27.00

Web: <https://www.dmejde.com>  
E-mail: [info@dmejde.com](mailto:info@dmejde.com)



## DSVW-G

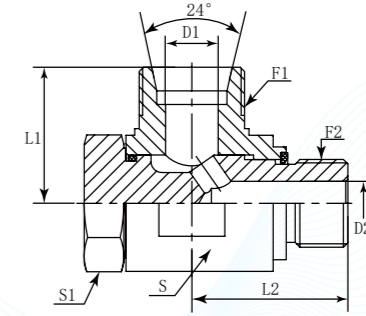
Banjo Coupling BSPP with ED Ring

German Technology Equipment

**SHIELD FLEX**

New-Standard

- DME&JDE Code: DSVW-G
- Product Type: Hydraulic adaptor
- Standard: DIN 2353
- Connection Type: Male x Male
- Thread Types: Metric x BSPP
- Sealing Method: ED Rings
- Other Features: Banjo



PART NUMBER	F1 (Thread)	F2 (Thread)	L1	L2	D1	D2	S1	S2
#	Metric	BSPP	mm	mm	mm	mm	mm	mm
DSVW-06L-01G	M12X1.5	1/8"-28	19	18.5	4	4	17	17
DSVW-06S-02G	M14X1.5	1/4"-19	23.5	26	4	5	22	19
DSVW-08L-02G	M14X1.5	1/4"-19	21.5	26	6	6	22	19
DSVW-08S-02G	M16X1.5	1/4"-19	23.5	26	5	5	22	19
DSVW-10L-02G	M16X1.5	1/4"-19	22.5	26	8	6	22	19
DSVW-10S-03G	M18X1.5	3/8"-19	26	28.5	7	8	27	24
DSVW-12L-03G	M18X1.5	3/8"-19	25	28.5	10	9	27	24
DSVW-12S-03G	M20X1.5	3/8"-19	26	28.5	8	8	27	24
DSVW-14S-04G	M22X1.5	1/2"-14	31	35.5	10	12	32	30
DSVW-15L-04G	M22X1.5	1/2"-14	29	35.5	12	12	32	30
DSVW-16S-04G	M24X1.5	1/2"-14	31	35.5	12	12	32	30
DSVW-18L-04G	M26X1.5	1/2"-14	29	35.5	15	12	32	30
DSVW-20S-06G	M30X2	3/4"-14	36	40	16	16	41	36
DSVW-22L-06G	M30X2	3/4"-14	34	40	19	18	41	36
DSVW-25S-08G	M36X2	1"-11	42.5	48.5	20	20	50	46
DSVW-28L-08G	M36X2	1"-11	38.5	48.5	24	23	50	46
DSVW-30S-10G	M42X2	1-1/4"-11	49.5	55.5	25	25	60	55
DSVW-35L-10G	M45X2	1-1/4"-11	45.5	55.5	30	30	60	55
DSVW-38S-12G	M52X2	1-1/2"-11	56.5	62.5	32	32	70	60
DSVW-42L-12G	M52X2	1-1/2"-11	50.5	62.5	36	36	70	60

Web: <https://www.dmejde.com>  
E-mail: [info@dmejde.com](mailto:info@dmejde.com)



## DSVW-M

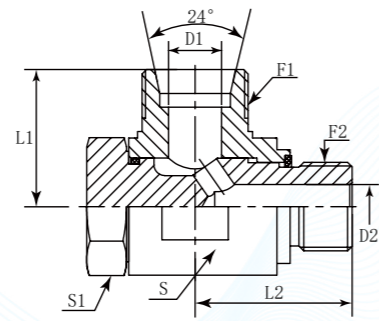
Banjo Coupling Metric with ED Ring

German Technology Equipment

**SHIELD FLEX**

New-Standard

- DME&JDE Code: **DSVW-M**
- Product Type: **Hydraulic adaptor**
- Standard: **DIN 2353**
- Adaptor Connection Type: **Male x Male**
- Thread Types: **Metric x Metric**
- Sealing Method: **ED Rings**
- Other Features: **Banjo**



PART NUMBER	F1 (Thread)	F2 (Thread)	C	L	D1	D2	S	S1
#	Metric	Metric	mm	mm	mm	mm	mm	mm
DSVW-08L-M12	M14X1.5	M12X1.5	23.10	26.00	6.00	7.00	22.00	19.00
DSVW-10L-M14	M16X1.5	M14X1.5	23.10	26.00	8.00	7.00	22.00	19.00
DSVW-12L-M16	M18X1.5	M16X1.5	25.00	28.50	10.00	9.00	27.00	24.00

## DVKA

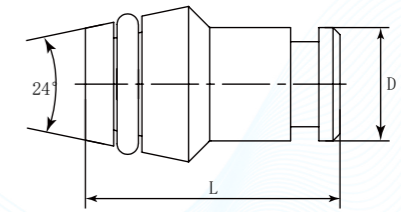
Blank Plug with O Ring Port with ED Ring

German Technology Equipment

**SHIELD FLEX**

New-Standard

- DME&JDE Code: **DVKA**
- Product Type: **Hydraulic adaptor**
- Standard: **DIN 2353**
- Sealing Method: **ED Rings, O Rings**



PART NUMBER	D	L
#	mm	mm
DVKA-06L/S	6.00	18.50
DVKA-08L/S	8.00	18.50
DVKA-10L/S	10.00	20.00
DVKA-12L/S	12.00	20.50
DVKA-14S	14.00	20.50
DVKA-15L	15.00	20.50
DVKA-16S	16.00	23.50
DVKA-18L	18.00	22.50
DVKA-20S	20.00	28.50
DVKA-22L	22.00	25.00
DVKA-25S	25.00	29.00
DVKA-28L	28.00	25.50
DVKA-30S	30.00	30.50
DVKA-35L	35.00	30.00
DVKA-38S	38.00	33.00
DVKA-42L	42.00	30.00

# DCA

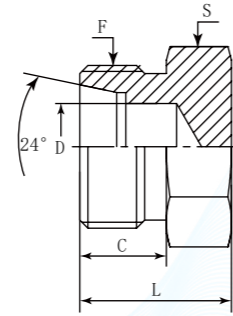
## Tube Cap

German Technology Equipment

**SHIELD FLEX**

New-Standard

- DME&JDE Code: **DCA**
- Product Type: **Hydraulic adaptor**
- Standard: **DIN 2353**
- Connection Type: **Male**
- Thread types: **Metric**
- Other Features: **Nut/Plug**



PART NUMBER	F (Thread)	C	D	L	S
#	Metric	mm	mm	mm	mm
DCA-06L	M12X1.5	10.00	4.00	14.00	12.00
DCA-06S	M14X1.5	12.00	4.00	18.00	14.00
DCA-08L	M14X1.5	10.00	6.00	15.00	14.00
DCA-08S	M16X1.5	12.00	5.00	20.00	17.00
DCA-10L	M16X1.5	11.00	8.00	16.00	17.00
DCA-10S	M18X1.5	12.00	7.00	20.00	19.00
DCA-12L	M18X1.5	11.00	10.00	17.00	19.00
DCA-12S	M20X1.5	12.00	8.00	22.00	22.00
DCA-14S	M22X1.5	14.00	10.00	24.00	24.00
DCA-15L	M22X1.5	12.00	12.00	18.00	24.00
DCA-16S	M24X1.5	14.00	12.00	24.00	27.00
DCA-18L	M26X1.5	12.00	15.00	19.00	27.00
DCA-20S	M30X2	16.00	16.00	28.00	32.00
DCA-22L	M30X2	14.00	19.00	21.00	32.00
DCA-25S	M36X2	18.00	20.00	32.00	41.00
DCA-28L	M36X2	14.00	24.00	22.00	41.00
DCA-30S	M42X2	20.00	25.00	34.00	46.00
DCA-35L	M45X2	16.00	30.00	25.00	46.00
DCA-38S	M52X2	22.00	32.00	39.00	55.00
DCA-42L	M52X2	16.00	36.00	27.00	55.00

# DN

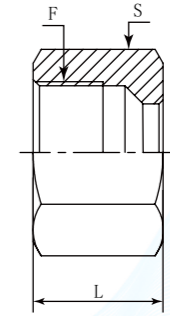
## Tube Nut

German Technology Equipment

**SHIELD FLEX**

New-Standard

- DME&JDE Code: **DN**
- Product Type: **Hydraulic adaptor**
- Adaptor Standard: **DIN 2353**
- Thread Types: **Metric**
- Other Features: **Nut/Plug**



Technical Data of DN			
PART NUMBER	F (Thread)	L	S
#	Metric	mm	mm
DN-06L	M12 × 1.5	15.50	14.00
DN-06LL	M10 × 1	12.50	12.00
DN-06S	M14 × 1.5	16.50	17.00
DN-08L	M14 × 1.5	14.50	17.00
DN-08LL	M12 × 1	13.00	14.00
DN-08S	M16 × 1.5	16.50	19.00
DN-10L	M16 × 1.5	15.50	19.00
DN-10S	M18 × 1.5	17.50	22.00
DN-12L	M18 × 1.5	16.50	22.00
DN-12S	M20 × 1.5	17.50	24.00
DN-14S	M22 × 1.5	20.50	27.00
DN-15L	M22 × 1.5	17.00	27.00
DN-16S	M24 × 1.5	20.50	30.00
DN-18L	M26 × 1.5	18.00	32.00
DN-20S	M30 × 2	25.00	36.00
DN-22L	M30 × 2	20.00	36.00
DN-25S	M36 × 2	27.00	46.00
DN-28L	M36 × 2	21.00	41.00
DN-30S	M42 × 2	29.00	50.00
DN-35L	M45 × 2	24.00	50.00
DN-38S	M52 × 2	32.50	60.00
DN-42L	M52 × 2	24.00	60.00





**DS**

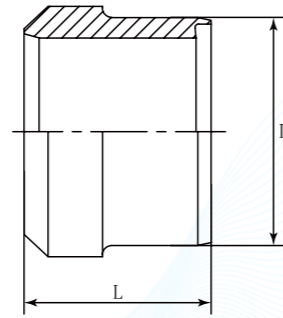
Cutting Ring

German Technology Equipment

**SHIELD FLEX**

New-Standard

- DME&JDE Code: **DS**
- Product Type: **Hydraulic adaptor**
- Standard: **DIN 2353**



PART NUMBER	L	D
#	mm	mm
DS-06L/S	9.00	8.00
DS-08L/S	9.50	10.10
DS-10L/S	10.00	12.10
DS-12L/S	10.20	14.20
DS-15L	10.50	17.35
DS-16S	10.50	18.35
DS-18L	11.00	20.35
DS-20S	12.50	22.80
DS-22L	11.00	24.35
DS-25S	13.00	27.90
DS-28L	11.50	30.35
DS-30S	13.00	32.90
DS-35L	13.50	37.80
DS-38S	13.50	40.90
DS-42L	13.50	44.90

Web: <https://www.dmejde.com>  
E-mail: [info@dmejde.com](mailto:info@dmejde.com)



**DL4-GQ**

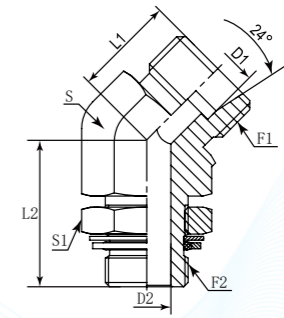
DIN 2353 Adjustable Elbow 45° BSPP Male O Ring and Retaining Ring

German Technology Equipment

**SHIELD FLEX**

New-Standard

- DME&JDE Code: **DL4-GQ**
- Product Type: **Hydraulic adaptor**
- Standard: **DIN 2353**
- Structure: **45° Elbow**
- Connection Type: **Male × Male**
- Thread Types: **Metric 24° Cone × BSPP**
- Sealing Method: **O Ring + Retaining Ring**



PART NUMBER	F1 (Thread)	F2 (Thread)	D1	D2	L1	L2	S	S1
#	METRIC	BSPP	mm	mm	mm	mm	mm	mm
DL4-06L-01GQ	M12X1.5	1/8"-28	4	4.4	17	27	14	14
DL4-06L-02GQ	M12X1.5	1/4"-19	4	7.5	24	29	14	19
DL4-06S-02GQ	M14X1.5	1/4"-19	4	7.5	16	27	14	14
DL4-08L-02GQ	M14X1.5	1/4"-19	6	7.5	19	29	14	19
DL4-08L-03GQ	M14X1.5	3/8"-19	6	9.9	19	33	19	22
DL4-08S-02GQ	M16X1.5	1/4"-19	5	7.5	19	29	14	19
DL4-10L-02GQ	M16X1.5	1/4"-19	8	7.5	19	29	14	19
DL4-10L-03GQ	M16X1.5	3/8"-19	8	9.9	20	33	19	22
DL4-10L-04GQ	M16X1.5	1/2"-14	10	12.3	19	38.5	22	27
DL4-10S-02GQ	M18X1.5	1/4"-19	7	7.5	21	29	14	19
DL4-10S-03GQ	M18X1.5	3/8"-19	7	9.9	20	33	19	22
DL4-12L-03GQ	M18X1.5	3/8"-19	10	9.9	21	33	19	22
DL4-12L-04GQ	M18X1.5	1/2"-14	12	12.3	21	38.5	22	27
DL4-12S-03GQ	M20X1.5	3/8"-19	8	9.9	24	33	19	22
DL4-12S-04GQ	M20X1.5	1/2"-14	8	12.3	24	38.5	22	27
DL4-14S-04GQ	M22X1.5	1/2"-14	10	10.5	24	38.5	22	27
DL4-15L-03GQ	M22X1.5	3/8"-19	12	9.9	22	33	19	22
DL4-15L-04GQ	M22X1.5	1/2"-14	12	12.3	22	38.5	22	27
DL4-16S-04GQ	M24X1.5	1/2"-14	12	12.3	24	38.5	22	27
DL4-18L-04GQ	M26X1.5	1/2"-14	15	12.3	24	38.5	22	27
DL4-18L-06GQ	M26X1.5	3/4"-14	15	15.5	24	44	27	36
DL4-20S-06GQ	M30X2	3/4"-14	16	15.5	26.5	44	27	36
DL4-22L-06GQ	M30X2	3/4"-14	19	15.5	26	46	27	36
DL4-25S-06GQ	M36X2	3/4"-14	20	15.5	30.5	46	27	36
DL4-25S-08GQ	M36X2	1"-11	20	21.5	30.5	52	36	41
DL4-28L-08GQ	M36X2	1"-11	24	21.5	30.5	52	36	41
DL4-30S-08GQ	M42X2	1"-11	25	21.5	37	54	36	41
DL4-30S-10GQ	M42X2	1 1/4"-11	25	27.5	37	48.5	41	50
DL4-35L-10GQ	M45X2	1 1/4"-11	20	27.5	37	48.5	41	50
DL4-38S-10GQ	M52X2	1 1/4"-11	32	27.5	37	48.5	41	50
DL4-38S-12GQ	M52X2	1 1/2"-11	32	33	37	49	48	55
DL4-42L-12GQ	M52X2	1 1/2"-11	36	33	37	49	48	55

Web: <https://www.dmejde.com>  
E-mail: [info@dmejde.com](mailto:info@dmejde.com)

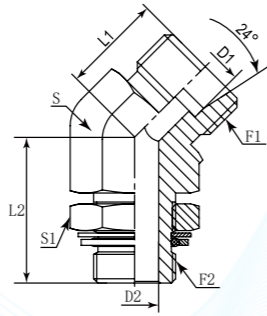


## DL4-MQ

DIN 2353 Adjustable Elbow 45° Metric Male O Ring and Retaining Ring



- DME&JDE Code:** DL4-MQ
- Product Type:** Hydraulic adaptor
- Standard:** DIN 2353
- Structure:** 45° Elbow
- Connection Type:** Adjustable × Male
- Thread Type:** Metric 24° Cone × Metric
- Sealing Method:** O Ring + Retaining Ring



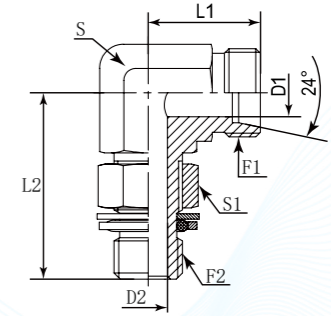
PART NUMBER	F1 (Thread)	F2 (Thread)	D1	D2	L1	L2	S	S1
#	METRIC	METRIC	mm	mm	mm	mm	mm	mm
DL4-06L-M10Q	M12X1.5	M10X1	4	4.5	17	27	14	14
DL4-06L-M14Q	M12X1.5	M14X1.5	4	7.5	24	29	14	19
DL4-06S-M12Q	M14X1.5	M12X1.5	4	4	16	27	14	17
DL4-06S-M14Q	M14X1.5	M14X1.5	4	6	16	27	14	19
DL4-08L-M12Q	M14X1.5	M12X1.5	6	4	19	27	14	17
DL4-08L-M14Q	M14X1.5	M14X1.5	6	7.5	19	29	14	19
DL4-08L-M16Q	M14X1.5	M16X1.5	6	9	19	33	19	22
DL4-08S-M14Q	M16X1.5	M14X1.5	5	6	19	29	14	19
DL4-10L-M14Q	M16X1.5	M14X1.5	8	7.5	19	29	14	19
DL4-10L-M16Q	M16X1.5	M16X1.5	8	9	20	33	19	27
DL4-10L-M22Q	M16X1.5	M22X1.5	10	14	19	38.5	22	27
DL4-10S-M14Q	M18X1.5	M14X1.5	7	6	21	29	14	19
DL4-10S-M16Q	M18X1.5	M16X1.5	7	7	20	33	19	22
DL4-12L-M16Q	M18X1.5	M16X1.5	10	9	21	33	19	22
DL4-12L-M22Q	M18X1.5	M22X1.5	12	14	21	38.5	22	27
DL4-12S-M16Q	M20X1.5	M16X1.5	8	7	24	33	19	22
DL4-12S-M18Q	M20X1.5	M18X1.5	8	9	21	33	22	24
DL4-12S-M22Q	M20X1.5	M22X1.5	8	12	24	38.5	22	27
DL4-14S-M20Q	M22X1.5	M20X1.5	10	10	24	39	22	27
DL4-15L-M16Q	M22X1.5	M16X1.5	12	9	22	33	19	22
DL4-15L-M18Q	M22X1.5	M18X1.5	12	11	24	36	22	24
DL4-15L-M22Q	M22X1.5	M22X1.5	12	14	24	42	27	27
DL4-16S-M22Q	M24X1.5	M22X1.5	12	12	24	38.5	22	27
DL4-18L-M22Q	M26X1.5	M22X1.5	15	14	24	38.5	22	27
DL4-18L-M27Q	M26X1.5	M27X2	15	18	24	44	27	32
DL4-20S-M27Q	M30X2	M27X2	16	15	26.5	44	27	32
DL4-22L-M27Q	M30X2	M27X2	19	18	26	46	27	32
DL4-25S-M27Q	M36X2	M27X2	20	15	30.5	46	27	32
DL4-25S-M33Q	M36X2	M33X2	20	20	30.5	52	36	41
DL4-28L-M33Q	M36X2	M33X2	24	23	30.5	52	36	41
DL4-30S-M33Q	M42X2	M33X2	25	20	37	54	36	41
DL4-30S-M42Q	M42X2	M42X2	25	26	37	48.5	41	50
DL4-35L-M42Q	M45X2	M42X2	20	30	37	48.5	41	50
DL4-38S-M42Q	M52X2	M42X2	32	26	37	48.5	41	50
DL4-38S-M48Q	M52X2	M48X2	32	32	37	49	48	55
DL4-42L-M48Q	M52X2	M48X2	36	36	37	49	48	55

## DL-GQ

Adjustable Elbow BSPP Male ORB



- DME&JDE Code:** DL-GQ
- Product Type:** Hydraulic adaptor
- Standard:** DIN 2353
- Structure:** 90° Elbow
- Connection Type:** Adjustable Male × Male
- Thread Types:** Metric × BSPP + O Ring + Retaining Ring
- Sealing Method:** O Ring + Retaining Ring



PART NUMBER	F1 (Thread)	F2 (Thread)	L1	L2	D1	D2	S	S1
#	Metric	BSPP	mm	mm	mm	mm	mm	mm
DL-06L-01GQ	M12X1.5	1/8"-28	19.00	26.00	4.00	4.40	12.00	14.00
DL-06S-02GQ	M14X1.5	1/4"-19	23.00	32.00	4.00	6.00	14.00	19.00
DL-08L-02GQ	M14X1.5	1/4"-19	21.00	32.00	6.00	7.50	14.00	19.00
DL-08L-03GQ	M14X1.5	3/8"-19	24.00	37.00	6.00	9.90	19.00	22.00
DL-08S-02GQ	M16X1.5	1/4"-19	24.00	32.00	5.00	7.50	14.00	19.00
DL-08S-03GQ	M16X1.5	3/8"-19	24.00	37.00	5.00	9.90	19.00	22.00
DL-10L-02GQ	M16X1.5	1/4"-19	22.00	32.00	8.00	7.50	14.00	19.00
DL-10L-03GQ	M16X1.5	3/8"-19	26.00	37.00	8.00	9.90	19.00	22.00
DL-10S-03GQ	M18X1.5	3/8"-19	25.00	37.00	7.00	9.90	19.00	22.00
DL-12L-02GQ	M18X1.5	1/4"-19	24.00	37.00	10.00	7.50	19.00	22.00
DL-12L-03GQ	M18X1.5	3/8"-19	24.00	37.00	10.00	9.90	19.00	22.00
DL-12L-04GQ	M18X1.5	1/2"-14	27.00	44.00	10.00	12.30	22.00	27.00
DL-12S-03GQ	M20X1.5	3/8"-19	29.00	37.00	8.00	9.90	22.00	22.00
DL-12S-04GQ	M20X1.5	1/2"-14	29.00	43.00	8.00	12.30	22.00	27.00
DL-14S-04GQ	M22X1.5	1/2"-14	30.00	44.00	10.00	10.50	22.00	27.00
DL-15L-03GQ	M22X1.5	3/8"-19	28.00	39.00	12.00	9.90	22.00	22.00
DL-15L-04GQ	M22X1.5	1/2"-14	28.00	44.00	12.00	12.30	22.00	27.00
DL-16S-04GQ	M24X1.5	1/2"-14	33.00	47.00	12.00	12.30	27.00	27.00
DL-18L-04GQ	M26X1.5	1/2"-14	33.00	47.00	15.00	12.30	27.00	27.00
DL-18L-06GQ	M26X1.5	3/4"-14	33.00	47.00	15.00	15.00	27.00	36.00
DL-20S-06GQ	M30X2	3/4"-14	37.00	51.00	16.00	15.50	30.00	36.00
DL-22L-06GQ	M30X2	3/4"-14	35.50	49.00	19.00	15.50	30.00	36.00
DL-25S-08GQ	M36X2	1"-11	42.00	59.00	20.00	21.50	36.00	41.00
DL-28L-08GQ	M36X2	1"-11	40.00	59.00	24.00	21.50	36.00	41.00
DL-30S-10GQ	M42X2	1-1/4"-11	49.00	59.00	25.00	27.50	41.00	50.00
DL-35L-10GQ	M45X2	1-1/4"-11	49.00	61.00	30.00	27.50	48.00	50.00
DL-38S-12GQ	M52X2	1-1/2"-11	57.00	66.00	32.00	33.00	55.00	55.00
DL-42L-12GQ	M52X2	1-1/2"-11	51.00	66.00	36.00	33.00	55.00	55.00

## DL-MQ

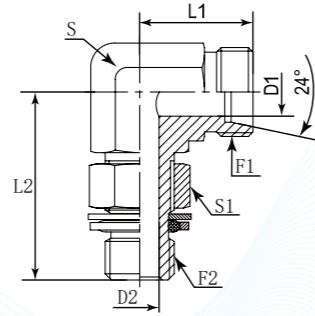
Adjustable Elbow Metric Male ORB

German Technology Equipment

**SHIELD FLEX**

New-Standard

- DME&JDE Code: **DL-MQ**
- Product Type: **Hydraulic adaptor**
- Standard: **DIN 2353**
- Structure: **90° Elbow**
- Connection Type: **Adjustable Male x Male**
- Thread Type: **Metric x Metric + O Ring + Retaining Ring**
- Sealing Method: **O Ring + Retaining Ring**



PART NUMBER	F1 (Thread)	F2 (Thread)	L1	L2	D1	D2	S	S1
#	Metric	Metric	mm	mm	mm	mm	mm	mm
DL-06L-M10Q	M12X1.5	M10X1	20.00	28.50	4.00	4.00	14.00	14.00
DL-06S-M12Q	M14X1.5	M12X1.5	23.00	32.00	4.00	4.00	14.00	17.00
DL-08L-M12Q	M14X1.5	M12X1.5	22.00	32.00	6.00	4.00	14.00	17.00
DL-08S-M14Q	M16X1.5	M14X1.5	25.00	36.00	5.00	6.00	19.00	19.00
DL-10L-M14Q	M16X1.5	M14X1.5	24.00	36.00	8.00	6.00	19.00	19.00
DL-10S-M16Q	M18X1.5	M16X1.5	25.00	38.00	7.00	7.00	19.00	22.00
DL-12L-M16Q	M18X1.5	M16X1.5	24.00	38.00	10.00	9.00	19.00	22.00
DL-12S-M18Q	M20X1.5	M18X1.5	29.00	40.00	8.00	9.00	22.00	24.00
DL-14S-M20Q	M22X1.5	M20X1.5	30.00	44.00	10.00	10.00	22.00	27.00
DL-15L-M18Q	M22X1.5	M18X1.5	28.00	40.00	12.00	11.00	22.00	24.00
DL-16S-M22Q	M24X1.5	M22X1.5	33.00	43.00	12.00	12.00	27.00	27.00
DL-18L-M22Q	M26X1.5	M22X1.5	31.00	46.00	15.00	14.00	27.00	27.00
DL-20S-M27Q	M30X2	M27X2	37.00	55.00	16.00	17.00	32.00	32.00
DL-22L-M27Q	M30X2	M27X2	35.50	50.50	19.00	15.00	30.00	32.00
DL-25S-M33Q	M36X2	M33X2	42.00	56.50	20.00	20.00	36.00	41.00
DL-28L-M33Q	M36X2	M33X2	40.00	56.50	24.00	23.00	36.00	41.00
DL-30S-M42Q	M42X2	M42X2	49.00	60.00	25.00	26.00	41.00	50.00
DL-35L-M42Q	M45X2	M42X2	49.00	62.00	30.00	30.00	48.00	50.00
DL-38S-M48Q	M52X2	M48X2	57.00	70.00	32.00	32.00	55.00	55.00
DL-42L-M48Q	M52X2	M48X2	52.00	70.00	36.00	36.00	55.00	55.00

## DLN

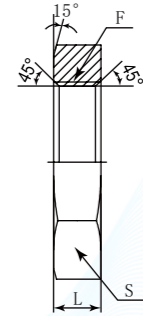
Bulkhead Nut

German Technology Equipment

**SHIELD FLEX**

New-Standard

- DME&JDE Code: **DLN**
- Product Type: **Hydraulic adaptor**
- Standard: **DIN 2353**
- Other Features: **Bulkhead**



PART NUMBER	F (Thread)	L	S
#	Metric	mm	mm
DLN-06L	M12X1.5	6.00	17.00
DLN-10L-08S	M16X1.5	6.00	22.00
DLN-12L-10S	M18X1.5	6.00	24.00
DLN-12S	M20X1.5	6.00	27.00
DLN-15L-14S	M22X1.5	7.00	30.00
DLN-16S	M24X1.5	7.00	32.00
DLN-18L	M26X1.5	8.00	36.00
DLN-22L H41	M30X2	8.00	41.00
DLN-22L-20S	M30X2	8.00	41.00
DLN-28L-25S	M36X2	9.00	46.00
DLN-30S	M42X2	9.00	50.00
DLN-35L	M45X2	9.00	55.00





## DBUW

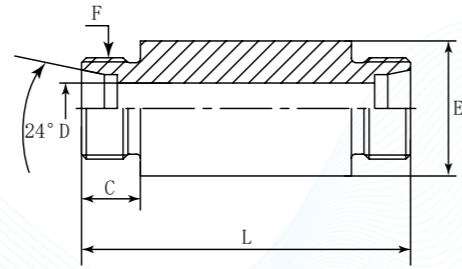
Long Hexagon Metric Male

German Technology Equipment

**SHIELD FLEX**

New-Standard

- DME&JDE Code: **DBUW**
- Product Type: **Hydraulic adaptor**
- Standard: **DIN 2353**
- Structure: **Straight**
- Connection Type: **Male**
- Thread types: **Metric**
- Other Features: **Hexagon**



PART NUMBER	F (Thread)	C	D	E	L
#	Metric	mm	mm	mm	mm
DBUW-06L	M12X1.5	10.00	4.00	18.00	70.00
DBUW-08L	M14X1.5	10.00	6.00	20.00	70.00
DBUW-10L	M16X1.5	11.00	8.00	22.00	72.00
DBUW-12L	M18X1.5	11.00	10.00	25.00	72.00
DBUW-12S	M20X1.5	12.00	8.00	28.00	74.00
DBUW-15L	M22X1.5	12.00	12.00	28.00	84.00
DBUW-16S	M24X1.5	14.00	12.00	35.00	88.00
DBUW-20S	M30X2	16.00	16.00	38.00	92.00

## DGC

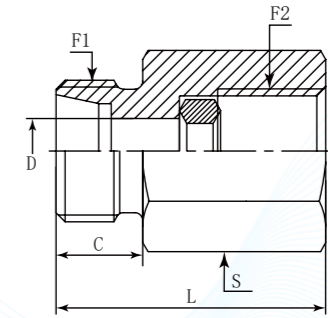
Female Connector Metric Female With DK1

German Technology Equipment

**SHIELD FLEX**

New-Standard

- DME&JDE Code: **DGC**
- Product Type: **Hydraulic adaptor**
- Standard: **DIN 2353**
- Structure: **Straight**
- Connection Type: **Female x Female**
- Thread Types: **Metric x BSPP**



PART NUMBER	F1 (Thread)	F2 (Thread)	C	D	L	S
#	Metric	BSPP	mm	mm	mm	mm
DGC-06L-02G	M12X1.5	1/4"-19	10.00	4.00	28.00	19.00
DGC-06S-04G	M14X1.5	1/2"-14	12.00	4.00	38.00	27.00
DGC-08L-02G	M14X1.5	1/4"-19	10.00	6.00	28.00	19.00
DGC-08S-04G	M16X1.5	1/2"-14	12.00	5.00	38.00	27.00
DGC-10L-02G	M16X1.5	1/4"-19	11.00	8.00	29.00	19.00
DGC-10S-04G	M18X1.5	1/2"-14	12.00	7.00	38.00	27.00
DGC-12L-02G	M18X1.5	1/4"-19	11.00	10.00	30.00	19.00
DGC-12S-04G	M20X1.5	1/2"-14	12.00	8.00	38.00	27.00



## MJ-BJBP

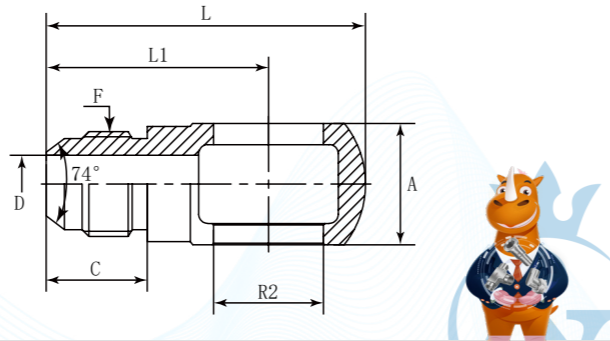
Straight Connector JIC Male - Banjo BSP

German Technology Equipment

**SHIELD FLEX**

New-Standard

- DME&JDE Code: MJ-BJBP
- Product Type: Hydraulic adaptor
- Standard: DIN 2353
- Structure: Straight
- Connection Type: Male
- Thread types: UNF
- Other Features: Banjo



PART NUMBER	F (Thread)	A	C	D	R2	L1	L
#	UNF	mm	mm	mm	mm	mm	mm
MJ-BJBP-0402	7/16"-20	10.20	13.97	4.37	9.90	26.00	34.50
MJ-BJBP-0404	7/16"-20	15.00	13.97	4.37	13.30	29.00	41.00
MJ-BJBP-0504	1/2"-20	15.00	13.97	5.94	13.30	29.00	41.00
MJ-BJBP-0604	9/16"-18	15.00	14.12	7.54	13.30	29.00	41.00
MJ-BJBP-0606	9/16"-18	20.00	14.12	7.54	16.70	31.60	46.10
MJ-BJBP-0808	3/4"-16	25.00	16.69	9.93	21.00	41.70	58.70
MJ-BJBP-1008	7/8"-14	25.00	19.25	12.29	21.00	42.00	61.00
MJ-BJBP-1012	7/8"-14	31.00	19.25	12.29	26.50	45.00	69.00
MJ-BJBP-1212	1-1/16"-12	31.00	21.95	15.47	26.50	48.00	72.00
MJ-BJBP-1216	1-1/16"-12	42.00	21.95	15.47	33.30	57.00	87.00

## DA-J

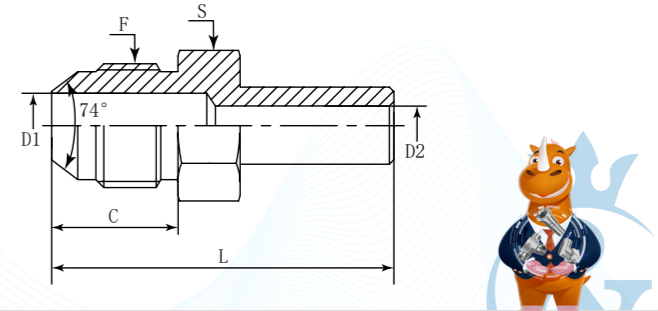
Welding Elbows

German Technology Equipment

**SHIELD FLEX**

New-Standard

- DME&JDE Code: DA-J
- Product Type: Hydraulic adaptor
- Standard: DIN 2353
- Structure: straight
- Connection Type: Male
- Thread types: UNF
- Sealing Method: Welding



PART NUMBER	F (Thread)	C	D1	D2	L	S
#	UNF	mm	mm	mm	mm	mm
DA-06L-04J	7/16"-20	13.97	4.37	3.50	39.00	12.70
DA-08L-04J	7/16"-20	13.97	4.37	4.37	40.50	12.70
DA-08L-06J	9/16"-18	14.12	7.54	4.50	42.00	15.88
DA-10L-04J	7/16"-20	13.97	4.37	6.00	41.00	12.70
DA-10L-06J	9/16"-18	14.12	7.54	6.00	42.00	15.88
DA-10L-08J	3/4"-16	16.69	9.93	6.00	45.00	20.64
DA-12L-05J	1/2"-20	13.97	5.94	8.00	46.50	14.28
DA-12L-06J	9/16"-18	14.12	7.54	7.54	47.20	15.88
DA-12L-08J	3/4"-16	16.69	9.93	8.00	50.00	20.64
DA-15L-08J	3/4"-16	16.69	9.93	11.00	47.50	20.64
DA-15L-10J	7/8"-14	19.25	11.00	11.00	51.00	23.83
DA-18L-10J	7/8"-14	19.25	12.29	14.00	49.00	23.83
DA-18L-12J	1-1/16"-12	21.95	15.47	14.00	52.50	28.58
DA-22L-12J	1-1/16"-12	21.95	15.47	18.00	55.50	28.58
DA-22L-16J	1-5/16"-12	23.14	21.44	18.00	56.50	34.93
DA-28L-16J	1-5/16"-12	23.14	21.44	23.00	57.10	34.93
DA-35L-20J	1-5/8"-12	24.33	27.38	29.50	67.80	42.86
DA-35L-24J	1-7/8"-12	27.51	33.32	29.50	72.00	50.80

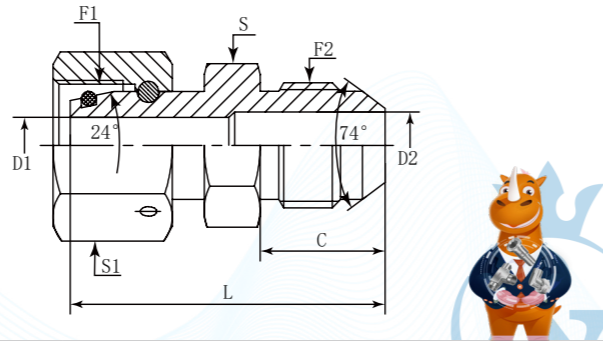


## DEGE-JC

Swivel Female Connector JIC Male with 24° Cone



- DME&JDE Code: **DEGE-JC**
- Product Type: **Hydraulic adaptor**
- Standard: **DIN 2353**
- Structure: **Straight**
- Connection Type: **Swivel Female x Male**
- Thread Types: **Metric x JIC UNF 24° Cone**



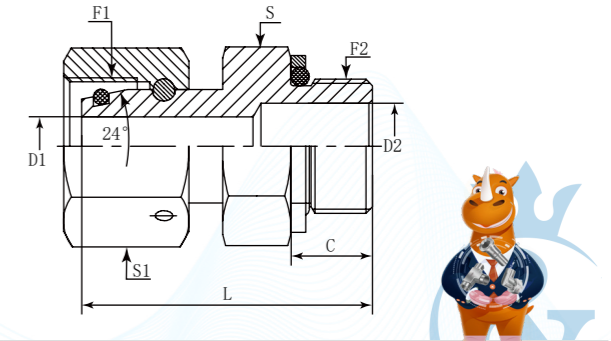
PART NUMBER	F1 (Thread)	F2 (Thread)	C	D1	D2	L	S	S1
#	Metric	UNF	mm	mm	mm	mm	mm	mm
DEGE-06L-04JC	M12X1.5	7/16"-20	13.97	3.00	3.00	35.00	14.00	14.00
DEGE-06L-05JC	M12X1.5	1/2"-20	13.97	3.00	5.94	35.00	14.00	14.00
DEGE-06S-04JC	M14X1.5	7/16"-20	13.97	3.00	4.37	36.00	14.00	17.00
DEGE-08L-04JC	M14X1.5	7/16"-20	13.97	4.00	4.00	35.00	14.00	17.00
DEGE-08L-06JC	M14X1.5	9/16"-18	14.12	4.00	7.54	36.00	17.00	17.00
DEGE-08S-04JC	M16X1.5	7/16"-20	13.97	4.00	4.00	36.00	14.00	19.00
DEGE-08S-06JC	M16X1.5	9/16"-18	14.12	4.00	7.54	37.00	17.00	19.00
DEGE-10L-05JC	M16X1.5	1/2"-20	13.97	5.94	5.94	36.00	17.00	19.00
DEGE-10L-06JC	M16X1.5	9/16"-18	14.12	6.00	7.54	37.00	17.00	19.00
DEGE-10L-08JC	M16X1.5	3/4"-16	16.69	6.00	9.93	40.50	19.00	19.00
DEGE-10S-06JC	M18X1.5	9/16"-18	14.12	6.00	6.00	38.00	19.00	22.00
DEGE-10S-08JC	M18X1.5	3/4"-16	16.69	6.00	9.93	40.50	19.00	22.00
DEGE-12L-06JC	M18X1.5	9/16"-18	14.12	7.50	7.50	40.00	19.00	22.00
DEGE-12L-08JC	M18X1.5	3/4"-16	16.69	7.50	9.93	42.50	19.00	22.00
DEGE-12S-06JC	M20X1.5	9/16"-18	14.12	7.54	7.54	41.00	19.00	24.00
DEGE-12S-08JC	M20X1.5	3/4"-16	16.69	8.00	9.93	43.50	19.00	24.00
DEGE-14S-10JC	M22X1.5	7/8"-14	19.25	8.00	12.29	48.50	24.00	27.00
DEGE-15L-06JC	M22X1.5	9/16"-18	14.12	10.00	7.54	41.00	22.00	27.00
DEGE-15L-08JC	M22X1.5	3/4"-16	16.69	9.93	9.93	41.50	19.00	27.00
DEGE-15L-10JC	M22X1.5	7/8"-14	19.25	10.00	12.29	47.00	24.00	27.00
DEGE-16S-08JC	M24X1.5	3/4"-16	16.69	9.93	9.93	43.00	22.00	30.00
DEGE-16S-10JC	M24X1.5	7/8"-14	19.25	10.00	12.29	47.50	24.00	30.00
DEGE-16S-12JC	M24X1.5	1-1/16"-12	21.95	10.00	15.47	50.00	27.00	30.00
DEGE-18L-08JC	M26X1.5	3/4"-16	16.69	9.93	9.93	45.00	27.00	32.00
DEGE-18L-10JC	M26X1.5	7/8"-14	19.25	12.29	12.29	47.50	27.00	32.00
DEGE-18L-12JC	M26X1.5	1-1/16"-12	21.95	12.50	15.47	50.00	30.00	32.00
DEGE-20S-10JC	M30X2	7/8"-14	19.25	12.29	12.29	51.50	30.00	36.00
DEGE-20S-12JC	M30X2	1-1/16"-12	21.95	14.00	14.00	54.50	30.00	36.00
DEGE-22L-12JC	M30X2	1-1/16"-12	21.95	15.47	15.47	53.00	32.00	36.00
DEGE-22L-16JC	M30X2	1-5/16"-12	23.14	17.00	21.44	55.50	36.00	36.00
DEGE-25S-16J	M36X2	1-5/16"-12	23.14	18.00	21.44	60.50	36.00	46.00
DEGE-28L-20JC	M36X2	1-5/8"-12	24.33	22.00	27.38	59.50	41.27	41.00
DEGE-30S-12JC	M42X2	1-1/16"-12	21.95	22.00	15.47	58.50	41.00	50.00
DEGE-30S-20JC	M42X2	1-5/8"-12	24.33	22.00	27.38	62.00	46.00	50.00
DEGE-30S-24JC	M42X2	1-7/8"-12	27.51	22.00	33.32	67.00	50.00	50.00
DEGE-35L-20JC	M45X2	1-5/8"-12	24.33	27.38	27.38	59.50	46.00	50.00
DEGE-35L-24JC	M45X2	1-7/8"-12	27.51	28.00	33.32	65.50	50.00	50.00
DEGE-38S-32JC	M52X2	2-1/2"-12	33.86	30.00	45.25	87.50	65.00	60.00
DEGE-42L-24JC	M52X2	1-7/8"-12	27.51	33.32	33.32	65.50	55.00	60.00
DEGE-42L-32JC	M52X2	2-1/2"-12	33.86	34.00	45.25	75.50	65.00	60.00

## DEGE-GQ

Swivel Female Connector BSPP Male with 24° Cone and O Ring + Retaining Ring



- DME&JDE Code: **DEGE-GQ**
- Product Type: **Hydraulic adaptor**
- Standard: **DIN 2353**
- Structure: **straight**
- Connection Type: **Swivel Female x Male**
- Thread types: **Metric x BSPP 24° Cone+ O Ring + Retaining Ring**
- Sealing Method: **O Ring + Retaining Ring**



PART NUMBER	F1 (Thread)	F2 (Thread)	C	L	D1	D2	S	S1
#	Metric	BSPP	mm	mm	mm	mm	mm	mm
DEGE-10L-03GQ	M16X1.5	3/8"-19	11.20	6.00	9.90	33.50	22.00	19.00
DEGE-10S-02GQ	M18X1.5	1/4"-19	11.20	6.00	7.50	35.00	19.00	22.00
DEGE-12S-04GQ	M20X1.5	1/2"-14	14.50	8.00	12.30	40.00	30.00	24.00



## DEGE-N

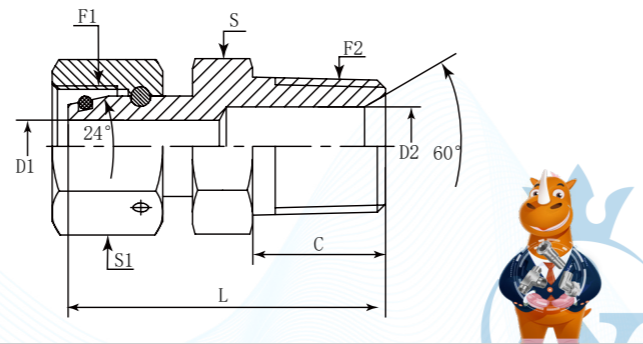
Swivel Female Connector (NPTF Male) with 24° Cone

German Technology Equipment

**SHIELD FLEX**

New-Standard

- DME&JDE Code: **DEGE-N**
- Product Type: **Hydraulic adaptor**
- Standard: **DIN 2353**
- Structure: **Straight**
- Connection Type: **Swivel Female × Male**
- Thread Types: **Metric × NPTF 24° Cone**



PART NUMBER	F1 (Thread)	F2 (Thread)	C	D1	D2	L	S	S1
#	Metric	NPTF	mm	mm	mm	mm	mm	mm
DEGE-06L-01N	M12X1.5	1/8"-27	9.65	3.00	4.78	31.00	14.00	14.00
DEGE-06S-02N	M14X1.5	1/4"-18	14.22	3.00	7.14	37.00	17.00	17.00
DEGE-08L-02N	M14X1.5	1/4"-18	14.22	4.00	7.14	37.00	17.00	17.00
DEGE-08S-02N	M16X1.5	1/4"-18	14.22	4.00	7.14	36.00	14.00	19.00
DEGE-10L-02N	M16X1.5	1/4"-18	14.22	6.00	6.00	38.50	17.00	19.00
DEGE-10S-03N	M18X1.5	3/8"-18	14.22	6.00	10.31	38.00	19.00	22.00
DEGE-12L-02N	M18X1.5	1/4"-18	14.22	7.14	7.14	40.00	19.00	22.00
DEGE-12L-03N	M18X1.5	3/8"-18	14.22	7.50	10.31	40.00	19.00	22.00
DEGE-12S-03N	M20X1.5	3/8"-18	14.22	8.00	10.31	41.00	19.00	24.00
DEGE-14S-04N	M22X1.5	1/2"-14	19.05	8.00	13.49	47.50	22.00	27.00
DEGE-15L-04N	M22X1.5	1/2"-14	19.05	10.00	13.49	46.00	22.20	27.00
DEGE-16S-04N	M24X1.5	1/2"-14	19.05	10.00	13.49	46.00	22.00	30.00
DEGE-18L-04N	M26X1.5	1/2"-14	19.05	12.50	12.50	48.00	27.00	32.00
DEGE-20S-06N	M30X2	3/4"-14	19.05	14.00	18.26	51.50	30.00	36.00
DEGE-22L-06N	M30X2	3/4"-14	19.05	17.00	17.00	50.00	31.75	36.00
DEGE-25S-08N	M36X2	1"-11-1/2	23.88	18.00	23.83	61.20	36.00	46.00
DEGE-28L-08N	M36X2	1"-11-1/2	23.88	22.00	23.83	58.50	36.00	41.00
DEGE-30S-10N	M42X2	1-1/4"-11-1/2	24.64	22.00	31.75	62.00	46.00	50.00
DEGE-35L-10N	M45X2	1-1/4"-11-1/2	24.64	28.00	31.75	60.00	46.00	50.00
DEGE-38S-12N	M52X2	1-1/2"-11-1/2	25.40	30.00	38.10	79.50	50.00	60.00
DEGE-42L-12N	M52X2	1-1/2"-11-1/2	25.40	34.00	38.10	64.00	55.00	60.00

## DEWGE

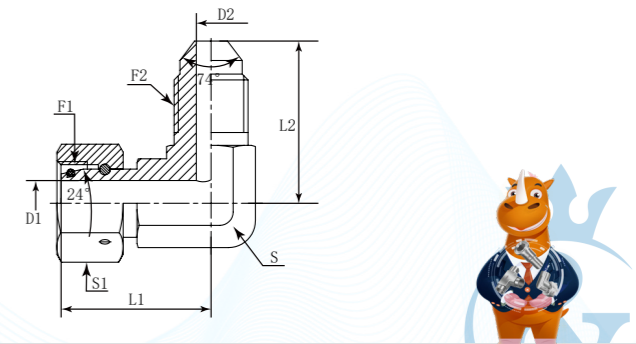
DIN 2353 Swivel Adjustable 90° Elbow JIC Male

German Technology Equipment

**SHIELD FLEX**

New-Standard

- DME&JDE Code: **DEWGE**
- Product Type: **Hydraulic adaptor**
- Standard: **DIN 2353**
- Structure: **90° Elbow**
- Connection Type: **Adjustable Swivel Female × Male**
- Thread types: **Metric × UNF**



PART NUMBER	F1 (Thread)	F2 (Thread)	D1	D2	L1	L2	S	S1
#	METRIC	UNF	mm	mm	mm	mm	mm	mm
DEWGE-06L-04JC	M12X1.5	7/16"-20	3	4.37	23.5	22.61	11.1	14
DEWGE-06S-04JC	M14X1.5	7/16"-20	3	4.37	24	22.61	11	17
DEWGE-08S-06JC	M16X1.5	9/16"-18	4	7.54	27	27	14	19
DEWGE-08L-06JC	M14X1.5	9/16"-18	4	7.54	25.5	27	14	17
DEWGE-10S-06JC	M18X1.5	9/16"-18	6	7.54	30	29	19	22
DEWGE-10L-06JC	M16X1.5	9/16"-18	6	7.54	27	27	14	19
DEWGE-12L-08JC	M18X1.5	3/4"-16	7.5	9.93	28.5	31.5	19	22
DEWGE-12S-08JC	M20X1.5	3/4"-16	8	9.93	31	31.5	19	24
DEWGE-15L-10JC	M22X1.5	7/8"-14	10	12.29	33	36.5	22	27
DEWGE-16S-10JC	M24X1.5	7/8"-14	10	12.29	34.5	36.5	22	30
DEWGE-18L-12JC	M26X1.5	1-1/16"-12	12.5	15.47	36	42	27	32
DEWGE-20S-12JC	M30X2	1-1/16"-12	14	15.47	42	42	27	36
DEWGE-30S-20JC	M42X2	1-5/8"-12	22	27.38	52.5	52	41	50
DEWGE-22L-16JC	M30X2	1-5/16"-12	17	21.44	40.5	46	33	36
DEWGE-25S-16JC	M36X2	1-5/16"-12	18	21.44	47	46	33	46
DEWGE-28L-16JC	M36X2	1-5/16"-12	22	21.44	42	46	33	41
DEWGE-35L-20JC	M45X2	1-5/8"-12	28	27.38	51	52	41	50
DEWGE-42L-24JC	M52X2	1-7/8"-12	34	33.32	55.5	59	48	60



## DGE

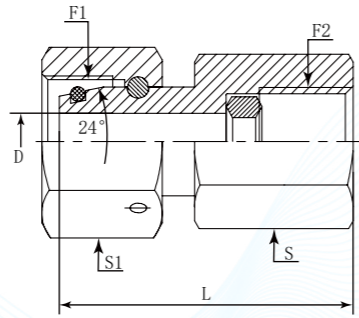
Swivel Connector (Metric Female) with 24° Cone and DK1

German Technology Equipment

**SHIELD FLEX**

New-Standard

- DME&JDE Code: DGE
- Product Type: Hydraulic adaptor
- Standard: DIN 2353
- Structure: Straight
- Connection Type: Swivel Female × Swivel Female
- Thread Types: Metric 24° Cone × BSPP



PART NUMBER	F1 (Thread)	F2 (Thread)	C	D	L	S
#	Metric	BSPP	mm	mm	mm	mm
DGE-06L-02G	M12X1.5	1/4"-19	3.00	35.00	19.00	14.00
DGE-08L-02G	M14X1.5	1/4"-19	4.00	36.00	19.00	17.00
DGE-08S-02G	M16X1.5	1/4"-19	4.00	36.00	19.00	19.00
DGE-08S-04G	M16X1.5	1/2"-14	4.00	42.50	27.00	19.00
DGE-10L-02G	M16X1.5	1/4"-19	6.00	35.00	19.00	19.00
DGE-10S-04G	M18X1.5	1/2"-14	6.00	42.50	27.00	22.00
DGE-12L-02G	M18X1.5	1/4"-19	5.50	36.50	19.00	22.00
DGE-12S-04G	M20X1.5	1/2"-14	8.00	45.00	27.00	24.00



## DLS

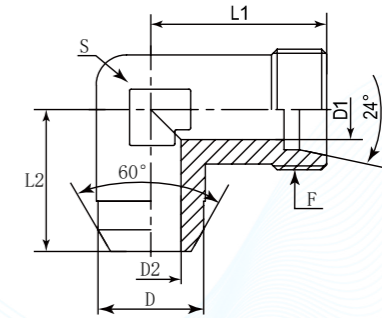
Welding Elbows

German Technology Equipment

**SHIELD FLEX**

New-Standard

- DME&JDE Code: DLS
- Product Type: Hydraulic adaptor
- Standard: DIN 2353
- Adaptor structure: 90° Elbow
- Adaptor Connection Type: Male
- Thread Types: Metric
- Sealing Method: Welding



PART NUMBER	F (Thread)	L1	L2	D1	D2	D	S
#	Metric	mm	mm	mm	mm	mm	mm
DLS-08L	M14X1.5	21.00	23.00	6.00	6.00	12.00	12.00
DLS-10L	M16X1.5	22.00	22.00	8.00	8.00	14.00	14.00
DLS-12S	M20X1.5	29.00	29.00	8.00	8.00	17.00	17.00
DLS-15L	M22X1.5	28.00	28.00	12.00	12.00	19.00	19.00
DLS-16S	M24X1.5	32.00	25.00	12.00	12.00	21.00	22.00
DLS-20S	M30X2	37.00	37.00	16.00	16.00	26.00	27.00
DLS-22L	M30X2	35.00	35.00	19.00	19.00	27.00	27.00
DLS-25S	M36X2	42.00	42.00	20.00	20.00	31.00	36.00
DLS-30S	M42X2	49.00	49.00	25.00	25.00	36.00	41.00
DLS-42L	M52X2	51.00	51.00	36.00	36.00	46.00	50.00



**DTLM**

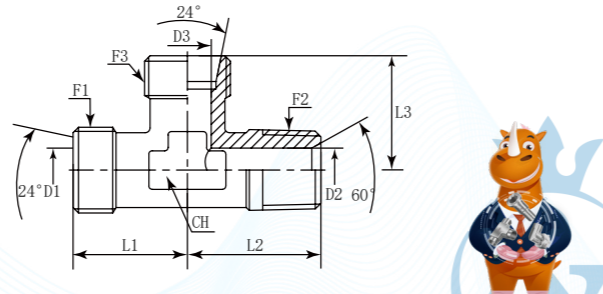
Adjustable Run Tee with BSPT Male

German Technology Equipment

**SHIELD FLEX**

New-Standard

- DME&JDE Code: **DTLM**
- Product Type: **Hydraulic adaptor**
- Standard: **DIN 2353**
- Structure: **Run Tee**
- Connection Type: **Adjustable male x Male x male**
- Thread types: **Metric x BSPT x Metric**



PART NUMBER	F1 (Thread)	F2 (Thread)	F3 (Thread)	D1	D2	D3	L1	L2	L3	CH
#	METRIC	BSPT	METRIC	mm	mm	mm	mm	mm	mm	mm
DTLM-06L-01R	M12X1.5	1/8"-28	M12X1.5	4.00	4.50	4.00	19.00	20.00	19.00	12.00
DTLM-06L-02R	M12X1.5	1/4"-19	M12X1.5	4.00	6.00	4.00	21.00	26.00	21.00	12.00
DTLM-06S-02R	M14X1.5	1/4"-19	M14X1.5	4.00	6.00	4.00	23.00	26.00	23.00	12.00
DTLM-08L-02R	M14X1.5	1/4"-19	M14X1.5	6.00	6.00	6.00	21.00	26.00	21.00	12.00
DTLM-08L-03R	M14X1.5	3/8"-19	M14X1.5	6.00	9.00	6.00	24.00	28.00	24.00	17.00
DTLM-08S-02R	M16X1.5	1/4"-19	M16X1.5	5.00	6.00	5.00	24.00	27.00	24.00	14.00
DTLM-10L-02R	M16X1.5	1/4"-19	M16X1.5	8.00	6.00	8.00	22.00	27.00	22.00	14.00
DTLM-10L-03R	M16X1.5	3/8"-19	M16X1.5	8.00	9.00	8.00	24.00	28.00	24.00	17.00
DTLM-10L-04R	M16X1.5	1/2"-14	M16X1.5	8.00	12.00	8.00	24.00	34.00	24.00	19.00
DTLM-10S-03R	M18X1.5	3/8"-19	M18X1.5	7.00	9.00	7.00	25.00	28.00	25.00	17.00
DTLM-12L-03R	M18X1.5	3/8"-19	M18X1.5	10.00	9.00	10.00	24.00	28.00	24.00	17.00
DTLM-12L-04R	M18X1.5	1/2"-14	M18X1.5	10.00	12.00	10.00	24.00	32.00	24.00	22.00
DTLM-12S-03R	M20X1.5	3/8"-19	M20X1.5	8.00	9.00	8.00	29.00	29.00	29.00	17.00
DTLM-12S-04R	M20X1.5	1/2"-14	M20X1.5	8.00	12.00	8.00	29.00	32.00	29.00	19.00
DTLM-14S-03R	M22X1.5	3/8"-19	M22X1.5	10.00	9.00	10.00	30.00	30.00	30.00	19.00
DTLM-14S-04R	M22X1.5	1/2"-14	M22X1.5	10.00	12.00	10.00	30.00	34.00	30.00	19.00
DTLM-15L-03R	M22X1.5	3/8"-19	M22X1.5	12.00	9.00	12.00	28.00	30.00	28.00	19.00
DTLM-15L-04R	M22X1.5	1/2"-14	M22X1.5	12.00	12.00	12.00	28.00	34.00	28.00	19.00
DTLM-16S-03R	M24X1.5	3/8"-19	M24X1.5	12.00	9.00	12.00	33.00	37.00	33.00	24.00
DTLM-16S-04R	M24X1.5	1/2"-14	M24X1.5	12.00	12.00	12.00	33.00	36.00	33.00	24.00
DTLM-18L-04R	M26X1.5	1/2"-14	M26X1.5	15.00	12.00	15.00	31.00	36.00	31.00	24.00
DTLM-18L-06R	M26X1.5	3/4"-14	M26X1.5	15.00	16.70	15.00	34.00	42.00	34.00	27.00
DTLM-20S-04R	M30X2	1/2"-14	M30X2	16.00	12.00	16.00	37.00	41.00	37.00	27.00
DTLM-20S-06R	M30X2	3/4"-14	M30X2	16.00	16.70	16.00	37.00	42.00	37.00	27.00
DTLM-22L-06R	M30X2	3/4"-14	M30X2	19.00	16.70	19.00	35.00	42.00	35.00	27.00
DTLM-25S-06R	M36X2	3/4"-14	M36X2	20.00	16.70	20.00	42.00	46.00	42.00	36.00
DTLM-25S-08R	M36X2	1"-11	M36X2	20.00	22.20	20.00	42.00	48.00	42.00	36.00
DTLM-28L-08R	M36X2	1"-11	M36X2	24.00	22.20	24.00	38.00	48.00	38.00	36.00
DTLM-30S-08R	M42X2	1"-11	M42X2	25.00	22.20	25.00	49.00	55.00	49.00	41.00
DTLM-30S-10R	M42X2	1-1/4"-11	M42X2	25.00	28.60	25.00	49.00	55.00	49.00	41.00
DTLM-35L-10R	M45X2	1-1/4"-11	M45X2	30.00	28.60	30.00	45.00	55.00	45.00	41.00
DTLM-38S-12R	M52X2	1-1/2"-11	M52X2	32.00	33.30	32.00	57.00	61.00	57.00	50.00
DTLM-42L-12R	M52X2	1-1/2"-11	M52X2	36.00	33.30	36.00	51.00	61.00	51.00	50.00



**DTL-MQ**

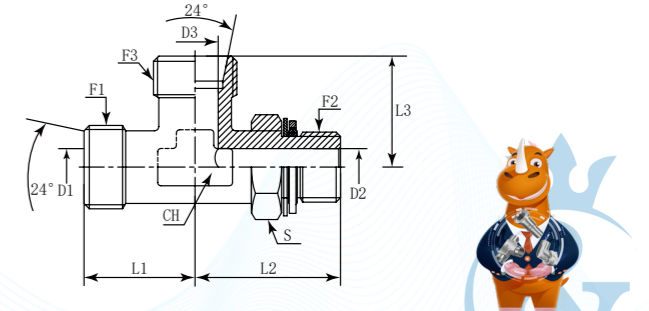
DIN 2353 Adjustable Run Tee with Metric Male O Ring and Retaining Ring

German Technology Equipment

**SHIELD FLEX**

New-Standard

- DME&JDE Code: **DTL-MQ**
- Product Type: **Hydraulic adaptor**
- Standard: **DIN 2353**
- Structure: **Run Tee**
- Connection Type: **Adjustable Male x Male x Male**
- Thread Types: **Metric x Metric x Metric**
- Sealing Method: **O Ring + Retaining Ring**



PART NUMBER	F1 (Thread)	F2 (Thread)	F3 (Thread)	D1	D2	D3	L1	L2	L3	CH	S
#	METRIC	METRIC	METRIC	mm	mm	mm	mm	mm	mm	mm	mm
DTL-06L-M10Q	M12X1.5	M10X1	M12X1.5	4.00	4.40	4.00	19.00	26.00	19.00	12.00	14
DTL-06S-M12Q	M14X1.5	M12X1.5	M14X1.5	4.00	6.00	4.00	23.00	31.00	23.00	14.00	17
DTL-06S-M14Q	M14X1.5	M14X1.5	M14X1.5	4.00	7.50	4.00	23.00	32.00	23.00	14.00	19
DTL-08L-M12Q	M14X1.5	M12X1.5	M14X1.5	6.00	6.00	6.00	21.00	31.00	21.00	14.00	17
DTL-08L-M14Q	M14X1.5	M14X1.5	M14X1.5	6.00	7.50	6.00	21.00	32.00	21.00	14.00	19
DTL-08L-M16Q	M14X1.5	M16X1.5	M14X1.5	6.00	9.90	6.00	24.00	37.00	24.00	19.00	22
DTL-08S-M14Q	M16X1.5	M14X1.5	M16X1.5	5.00	7.50	5.00	24.00	32.00	24.00	19.00	19
DTL-08S-M16Q	M16X1.5	M16X1.5	M16X1.5	5.00	9.90	5.00	24.00	37.00	24.00	19.00	22
DTL-10L-M14Q	M16X1.5	M14X1.5	M16X1.5	8.00	7.50	8.00	22.00	32.00	22.00	14.00	19
DTL-10L-M16Q	M16X1.5	M16X1.5	M16X1.5	8.00	9.90	8.00	26.00	37.00	26.00	19.00	22
DTL-10L-M20Q	M16X1.5	M20X1.5	M16X1.5	8.00	12.30	8.00	27.00	44.00	27.00	22.00	27
DTL-10S-M16Q	M18X1.5	M16X1.5	M18X1.5	7.00	9.90	7.00	25.00	37.00	25.00	19.00	22
DTL-12L-M14Q	M18X1.5	M14X1.5	M18X1.5	10.00	7.50	10.00	24.00	37.00	24.00	19.00	19
DTL-12L-M16Q	M18X1.5	M16X1.5	M18X1.5	10.00	9.90	10.00	24.00	37.00	24.00	19.00	22
DTL-12L-M20Q	M18X1.5	M20X1.5	M18X1.5	10.00	12.30	10.00	27.00	44.00	27.00	22.00	27
DTL-12S-M16Q	M20X1.5	M16X1.5	M20X1.5	8.00	9.90	8.00	29.00	37.00	29.00	22.00	22
DTL-12S-M18Q	M20X1.5	M18X1.5	M20X1.5	8.00	9.00	8.00	29.00	38.00	29.00	19.00	24
DTL-12S-M20Q	M20X1.5	M20X1.5	M20X1.5	8.00	12.30	8.00	29.00	43.00	29.00	22.00	27
DTL-14S-M20Q	M22X1.5	M20X1.5	M22X1.5	10.00	12.30	10.00	30.00	44.00	30.00	22.00	27
DTL-15L-M16Q	M22X1.5	M16X1.5	M22X1.5	12.00	9.90	12.00	28.00	39.00	28.00	22.00	22
DTL-15L-M18Q	M22X1.5	M18X1.5	M22X1.5	12.00	9.00	12.00	28.00	40.00	28.00	24.00	27
DTL-15L-M20Q	M22X1.5	M20X1.5	M22X1.5	12.00	12.30	12.00	28.00	44.00	28.00	22.00	27
DTL-16S-M16Q	M24X1.5	M16X1.5	M24X1.5	12.00	9.90	12.00	33.00	41.50	33.00	27.00	22
DTL-16S-M20Q	M24X1.5	M20X1.5	M24X1.5	12.00	12.30	12.00	33.00	47.00	33.00	27.00	27
DTL-16S-M22Q	M24X1.5	M22X1.5	M24X1.5	12.00	12.00	12.00	33.00	48.00	33.00	27.00	27
DTL-18L-M20Q	M26X1.5	M20X1.5	M26X1.5	15.00	12.30	15.00	31.00	47.00	31.00	27.00	27
DTL-18L-M22Q	M26X1.5	M22X1.5	M26X1.5	15.00	12.00	15.00	31.00	46.00	31.00	27.00	27
DTL-18L-M26Q	M26X1.5	M26X1.5	M26X1.5	15.00	15.00	15.00	33.00	47.00	33.00	27.00	36
DTL-20S-M26Q	M30X2	M26X1.5	M30X2	16.00	15.50	16.00	37.00	51.00	37.00	30.00	36
DTL-20S-M27Q	M30X2	M27X2	M30X2	16.00	15.00	16.00	37.00	50.50	37.00	27.00	32
DTL-22L-M26Q	M30X2	M26X1.5	M30X2	19.00	15.50	19.00	35.50	49.00	35.50	30.00	36
DTL-22L-M27Q	M30X2	M27X2	M30X2	19.00	15.00	19.00	35.00	50.50	35.00	27.00	32
DTL-22L-M33Q	M30X2	M33X2	M30X2	19.00	21.50	19.00	40.00	59.00	40.00	36.00	41
DTL-25S-M26Q	M36X2	M26X1.5	M36X2	20.00	15.50	20.00	42.00	57.50	42.00	36.00	36
DTL-25S-M33Q	M36X2	M33X2	M36X2	20.00	21.50	20.00	42.00	56.00	42.00	36.00	41
DTL-28L-M33Q	M36X2	M33X2	M36X2	24.00	21.50	24.00	40.00	59.00	40.00	36.00	41
DTL-28L-M42Q	M36X2	M42X2	M36X2	24.00	27.50	24.00	44.50	60.50	44.50	41.00	50
DTL-30S-M33Q	M42X2	M33X2	M42X2	25.00	21.50	25.00	49.00	57.00	49.00	41.00	41
DTL-30S-M42Q	M42X2	M42X2	M42X2	25.00	27.50	25.00	49.00	65.00	49.00	48.00	50
DTL-35L-M42Q	M45X2	M42X2	M45X2	30.00	27.50	30.00	45.00	65.00	45.00	48.00	50
DTL-38S-M48Q	M52X2	M48X2	M52X2	32.00	33.00	32.00	57.00	66.00	57.00	55.00	55
DTL-42L-M48Q	M52X2	M48X2	M52X2	36.00	33.00	36.00	51.00	66.00	51.00	55.00	55



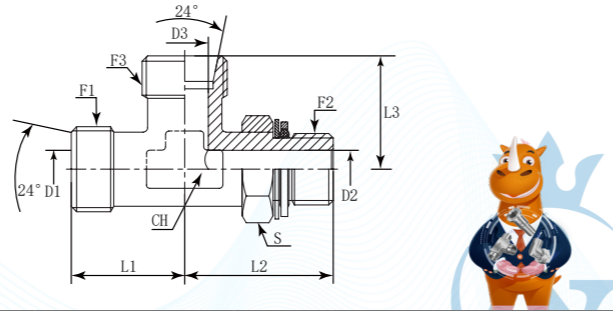


## DTL-GQ

DIN 2353 Adjustable Run Tee with BSPP Male + O Ring + Retaining Ring



- DME&JDE Code: **DTL-GQ**
- Product Type: **Hydraulic adaptor**
- Standard: **DIN 2353**
- Structure: **Run Tee**
- Connection Type: **Adjustable Male x Male x Male**
- Thread types: **Metric x BSPP x Metric**
- Sealing Method: **O Ring + Retaining Ring**



PART NUMBER	F1 (Thread)	F2 (Thread)	F3 (Thread)	D1	D2	D3	L1	L2	L3	CH	S
#	METRIC	METRIC	BSPP	mm	mm	mm	mm	mm	mm	mm	mm
DTT-06L-01GQ	M12X1.5	M12X1.5	1/8"-28	4.00	4.00	4.40	19.00	19.00	26.00	12.00	14
DTT-06S-02GQ	M14X1.5	M14X1.5	1/4"-19	4.00	4.00	7.50	23.00	23.00	32.00	14.00	19
DTT-08L-02GQ	M14X1.5	M14X1.5	1/4"-19	6.00	6.00	7.50	21.00	21.00	32.00	14.00	19
DTT-08L-03GQ	M14X1.5	M14X1.5	3/8"-19	6.00	6.00	9.90	24.00	24.00	37.00	19.00	22
DTT-08S-02GQ	M16X1.5	M16X1.5	1/4"-19	5.00	5.00	7.50	24.00	24.00	32.00	19.00	19
DTT-08S-03GQ	M16X1.5	M16X1.5	3/8"-19	5.00	5.00	9.90	24.00	24.00	37.00	19.00	22
DTT-10L-02GQ	M16X1.5	M16X1.5	1/4"-19	8.00	8.00	7.50	22.00	22.00	32.00	19.00	19
DTT-10L-03GQ	M16X1.5	M16X1.5	3/8"-19	8.00	8.00	9.90	26.00	26.00	37.00	19.00	22
DTT-10L-04GQ	M16X1.5	M16X1.5	1/2"-14	8.00	8.00	12.30	27.00	27.00	44.00	22.00	27
DTT-10S-03GQ	M18X1.5	M18X1.5	3/8"-19	7.00	7.00	9.90	25.00	25.00	37.00	19.00	22
DTT-12L-02GQ	M18X1.5	M18X1.5	1/4"-19	10.00	10.00	7.50	24.00	24.00	37.00	19.00	19
DTT-12L-03GQ	M18X1.5	M18X1.5	3/8"-19	10.00	10.00	9.90	24.00	24.00	37.00	19.00	22
DTT-12L-04GQ	M18X1.5	M18X1.5	1/2"-14	10.00	10.00	12.30	27.00	27.00	44.00	22.00	27
DTT-12S-03GQ	M20X1.5	M20X1.5	3/8"-19	8.00	8.00	9.90	29.00	29.00	37.00	22.00	22
DTT-12S-04GQ	M20X1.5	M20X1.5	1/2"-14	8.00	8.00	12.30	29.00	29.00	43.00	22.00	27
DTT-14S-04GQ	M22X1.5	M22X1.5	1/2"-14	10.00	10.00	12.30	30.00	30.00	44.00	22.00	27
DTT-15L-03GQ	M22X1.5	M22X1.5	3/8"-19	12.00	12.00	9.90	28.00	28.00	39.00	22.00	22
DTT-15L-04GQ	M22X1.5	M22X1.5	1/2"-14	12.00	12.00	12.30	28.00	28.00	44.00	22.00	27
DTT-16S-03GQ	M24X1.5	M24X1.5	3/8"-19	12.00	12.00	9.90	33.00	33.00	41.50	27.00	22
DTT-16S-04GQ	M24X1.5	M24X1.5	1/2"-14	12.00	12.00	12.30	33.00	33.00	47.00	27.00	27
DTT-18L-04GQ	M26X1.5	M26X1.5	1/2"-14	15.00	15.00	12.30	31.00	31.00	47.00	27.00	27
DTT-18L-06GQ	M26X1.5	M26X1.5	3/4"-14	15.00	15.00	15.00	33.00	33.00	47.00	27.00	36
DTT-20S-06GQ	M30X2	M30X2	3/4"-14	16.00	16.00	15.50	37.00	37.00	51.00	30.00	36
DTT-22L-06GQ	M30X2	M30X2	3/4"-14	19.00	19.00	15.50	35.00	35.00	51.00	30.00	36
DTT-22L-08GQ	M36X2	M36X2	1"-11	24.00	24.00	21.50	40.00	40.00	59.00	36.00	41
DTT-25S-06GQ	M36X2	M36X2	3/4"-14	20.00	20.00	15.50	42.00	42.00	57.50	36.00	36
DTT-25S-08GQ	M36X2	M36X2	1"-11	20.00	20.00	21.50	42.00	42.00	56.00	36.00	41
DTT-28L-08GQ	M36X2	M36X2	1"-11	24.00	24.00	21.50	38.00	38.00	56.00	36.00	41
DTT-28L-10GQ	M36X2	M36X2	1-1/4"-11	24.00	24.00	27.50	44.50	44.50	60.50	41.00	50
DTT-30S-08GQ	M42X2	M42X2	1"-11	25.00	25.00	21.50	49.00	49.00	57.00	41.00	41
DTT-30S-10GQ	M42X2	M42X2	1-1/4"-11	25.00	25.00	27.50	49.00	49.00	59.00	41.00	50
DTT-35L-10GQ	M45X2	M45X2	1-1/4"-11	30.00	30.00	27.50	45.00	45.00	65.00	48.00	50
DTT-38S-12GQ	M52X2	M52X2	1-1/2"-11	32.00	32.00	33.00	57.00	57.00	66.00	55.00	55
DTT-42L-12GQ	M52X2	M52X2	1-1/2"-11	36.00	36.00	33.00	51.00	51.00	66.00	55.00	55

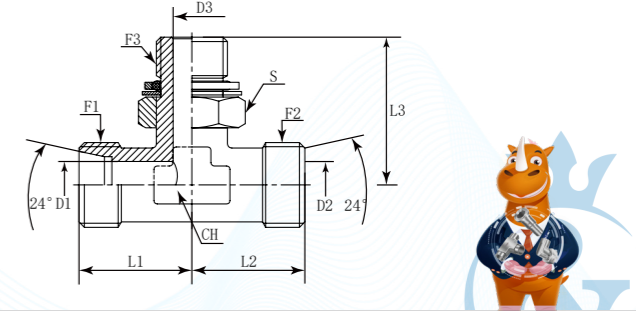


## DTT-MQ

DIN 2353 Adjustable Branch Tee with Metric Male O Ring and Retaining Ring



- DME&JDE Code: **DTT-MQ**
- Product Type: **Hydraulic adaptor**
- Standard: **DIN 2353**
- Structure: **Branch Tee**
- Connection Type: **Adjustable Male x Male x Male**
- Thread Types: **Metric x Metric x Metric**
- Sealing Method: **O Ring + Retaining Ring**



PART NUMBER	F1 (Thread)	F2 (Thread)	F3 (Thread)	D1	D2	D3	L1	L2	L3	CH	S
#	METRIC	METRIC	METRIC	mm	mm	mm	mm	mm	mm	mm	mm
DTT-06L-M10Q	M12X1.5	M12X1.5	M10X1	4	4	4.4	19	19	26	12	14
DTT-06S-M12Q	M14X1.5	M14X1.5	M12X1.5	4	4	6	23	23	31	14	17
DTT-06S-M14Q	M14X1.5	M14X1.5	M14X1.5	4	4	7.5	23	23	32	14	19
DTT-08L-M12Q	M14X1.5	M14X1.5	M12X1.5	6	6	6	21	21	31	14	17
DTT-08L-M14Q	M14X1.5	M14X1.5	M14X1.5	6	6	7.5	21	21	32	14	19
DTT-08L-M16Q	M14X1.5	M14X1.5	M16X1.5	6	6	9.9	24	24	37	19	22
DTT-08S-M14Q	M16X1.5	M16X1.5	M14X1.5	5	5	7.5	24	24	32	19	19
DTT-08S-M16Q	M16X1.5	M16X1.5	M16X1.5	5	5	9.9	24	24	37	19	22
DTT-10L-M14Q	M16X1.5	M16X1.5	M14X1.5	8	8	7.5	22	22	32	14	19
DTT-10L-M16Q	M16X1.5	M16X1.5	M16X1.5	8	8	9.9	26	26	37	19	22
DTT-10L-M20Q	M16X1.5	M16X1.5	M20X1.5	8	8	12.3	27	27	44	22	27
DTT-10S-M16Q	M18X1.5	M18X1.5	M16X1.5	7	7	9.9	25	25	37	19	22
DTT-12L-M14Q	M18X1.5	M18X1.5	M14X1.5	10	10	7.5	24	24	37	19	19
DTT-12L-M16Q	M18X1.5	M18X1.5	M16X1.5	10	10	9.9	24	24	37	19	22
DTT-12L-M20Q	M18X1.5	M18X1.5	M20X1.5	10	10	12.3	27	27	44	22	27
DTT-12S-M16Q	M20X1.5	M20X1.5	M16X1.5	8	8	9.9	29	29	37	22	22
DTT-12S-M18Q	M20X1.5	M20X1.5	M18X1.5	8	8	9	29	29	38	19	24
DTT-12S-M20Q	M20X1.5	M20X1.5	M20X1.5	8	8	12.3	29	29	43	22	27
DTT-14S-M20Q	M22X1.5	M22X1.5	M20X1.5	10	10	12.3	30	30	44	22	27
DTT-15L-M16Q	M22X1.5	M22X1.5	M16X1.5	12	12	9.9	28	28	39	22	22
DTT-15L-M18Q	M22X1.5	M22X1.5	M18X1.5	12	12	9	28	28	40	24	27
DTT-15L-M20Q	M22X1.5	M22X1.5	M20X1.5	12	12	12.3	28	28	44	22	27
DTT-16S-M16Q	M24X1.5	M24X1.5	M16X1.5	12	12	9.9	33	33	41.5	27	22
DTT-16S-M20Q	M24X1.5	M24X1.5	M20X1.5	12	12	12.3	33	33	47	27	27
DTT-16S-M22Q	M24X1.5	M24X1.5	M22X1.5	12	12	12	33	33	48	27	27
DTT-18L-M20Q	M26X1.5	M26X1.5	M20X1.5	15	15	12.3	31	31	47	27	27
DTT-18L-M22Q	M26X1.5	M26X1.5	M22X1.5	15	15	12	31	31	46	27	27
DTT-18L-M26Q	M26X1.5	M26X1.5	M26X1.5	15	15	15	33	33	47	27	36
DTT-20S-M26Q	M30X2	M30X2	M26X1.5	16	16	15.5	37	37	51	30	36
DTT-20S-M27Q	M30X2	M30X2	M27X2	16	16	15	37	37	50.5	27	32
DTT-22L-M26Q	M30X2	M30X2	M26X1.5	19	19	15.5	35.5	35.5	49	30	36
DTT-22L-M27Q	M30X2	M30X2	M27X2	19	19	15	35	35	50.5	27	32
DTT-22L-M33Q	M30X2	M30X2	M33X2	19	19	21.5	40	40	59	36	41
DTT-25S-M26Q	M36X2	M36X2	M26X1.5	20	20	15.5	42	42	57.5	36	36
DTT-25S-M33Q	M36X2	M36X2	M33X2	20	20	21.5	42	42	56	36	41
DTT-28L-M33Q	M36X2	M36X2	M33X2	24	24	21.5	40	40	59	36	41
DTT-28L-M42Q	M36X2	M36X2	M42X2	24	24	27.5	44.5	44.5	60.5	41	50
DTT-30S-M33Q	M42X2	M42X2	M33X2	25	25	21.5	49	49	57	41	41
DTT-30S-M42Q	M42X2	M42X2	M42X2	25	25	27.5	49	49	65	48	50
DTT-35L-M42Q	M45X2	M45X2	M42X2	30	30	27.5	45	45	65	48	50
DTT-38S-M48Q	M52X2	M52X2	M48X2	32	32	33	57	57	66	55	55
DTT-42L-M48Q	M52X2	M52X2	M48X2	36	36	33	51	51	66	55	55

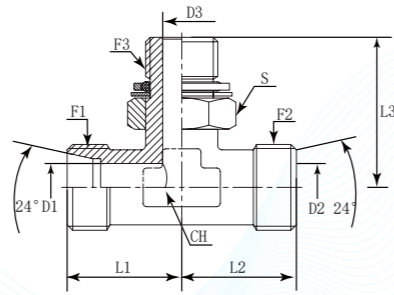


# DTT-GQ

DIN 2353 Adjustable Branch Tee with BSPP Male + O Ring + Retaining Ring



- DME&JDE Code: **DTT-GQ**
- Product Type: **Hydraulic adaptor**
- Standard: **DIN 2353**
- Structure: **Branch Tee**
- Connection Type: **Adjustable Male x Male x Male**
- Thread types: **Metric x Metric x BSPP**
- Sealing Method: **O Ring + Retaining Ring**



PART NUMBER	F1 (Thread)	F2 (Thread)	F3 (Thread)	D1	D2	D3	L1	L2	L3	CH	S
#	METRIC	METRIC	BSPP	mm	mm	mm	mm	mm	mm	mm	mm
DTT-06L-01GQ	M12X1.5	M12X1.5	1/8"-28	4	4	4.4	19	19	26	12	14
DTT-06S-02GQ	M14X1.5	M14X1.5	1/4"-19	4	4	7.5	23	23	32	14	19
DTT-08L-02GQ	M14X1.5	M14X1.5	1/4"-19	6	6	7.5	21	21	32	14	19
DTT-08L-03GQ	M14X1.5	M14X1.5	3/8"-19	6	6	9.9	24	24	37	19	22
DTT-08S-02GQ	M16X1.5	M16X1.5	1/4"-19	5	5	7.5	24	24	32	19	19
DTT-08S-03GQ	M16X1.5	M16X1.5	3/8"-19	5	5	9.9	24	24	37	19	22
DTT-10L-02GQ	M16X1.5	M16X1.5	1/4"-19	8	8	7.5	22	22	32	19	19
DTT-10L-03GQ	M16X1.5	M16X1.5	3/8"-19	8	8	9.9	26	26	37	19	22
DTT-10L-04GQ	M16X1.5	M16X1.5	1/2"-14	8	8	12.3	27	27	44	22	27
DTT-10S-03GQ	M18X1.5	M18X1.5	3/8"-19	7	7	9.9	25	25	37	19	22
DTT-12L-02GQ	M18X1.5	M18X1.5	1/4"-19	10	10	7.5	24	24	37	19	19
DTT-12L-03GQ	M18X1.5	M18X1.5	3/8"-19	10	10	9.9	24	24	37	19	22
DTT-12L-04GQ	M18X1.5	M18X1.5	1/2"-14	10	10	12.3	27	27	44	22	27
DTT-12S-03GQ	M20X1.5	M20X1.5	3/8"-19	8	8	9.9	29	29	37	22	22
DTT-12S-04GQ	M20X1.5	M20X1.5	1/2"-14	8	8	12.3	29	29	43	22	27
DTT-14S-04GQ	M22X1.5	M22X1.5	1/2"-14	10	10	12.3	30	30	44	22	27
DTT-15L-03GQ	M22X1.5	M22X1.5	3/8"-19	12	12	9.9	28	28	39	22	22
DTT-15L-04GQ	M22X1.5	M22X1.5	1/2"-14	12	12	12.3	28	28	44	22	27
DTT-16S-03GQ	M24X1.5	M24X1.5	3/8"-19	12	12	9.9	33	33	41.5	27	22
DTT-16S-04GQ	M24X1.5	M24X1.5	1/2"-14	12	12	12.3	33	33	47	27	27
DTT-18L-04GQ	M26X1.5	M26X1.5	1/2"-14	15	15	12.3	31	31	47	27	27
DTT-18L-06GQ	M26X1.5	M26X1.5	3/4"-14	15	15	15	33	33	47	27	36
DTT-20S-06GQ	M30X2	M30X2	3/4"-14	16	16	15.5	37	37	51	30	36
DTT-22L-06GQ	M30X2	M30X2	3/4"-14	19	19	15.5	35	35	51	30	36
DTT-22L-08GQ	M36X2	M36X2	1"-11	24	24	21.5	40	40	59	36	41
DTT-25S-06GQ	M36X2	M36X2	3/4"-14	20	20	15.5	42	42	57.5	36	36
DTT-25S-08GQ	M36X2	M36X2	1"-11	20	20	21.5	42	42	56	36	41
DTT-28L-08GQ	M36X2	M36X2	1"-11	24	24	21.5	38	38	56	36	41
DTT-28L-10GQ	M36X2	M36X2	1 1/4"-11	24	24	27.5	44.5	44.5	60.5	41	50
DTT-30S-08GQ	M42X2	M42X2	1"-11	25	25	21.5	49	49	57	41	41
DTT-30S-10GQ	M42X2	M42X2	1 1/4"-11	25	25	27.5	49	49	59	41	50
DTT-35L-10GQ	M45X2	M45X2	1 1/4"-11	30	30	27.5	45	45	65	48	50
DTT-38S-12GQ	M52X2	M52X2	1 1/2"-11	32	32	33	57	57	66	55	55
DTT-42L-12GQ	M52X2	M52X2	1 1/2"-11	36	36	33	51	51	66	55	55

Web: <https://www.dmejde.com>  
E-mail: [info@dmejde.com](mailto:info@dmejde.com)

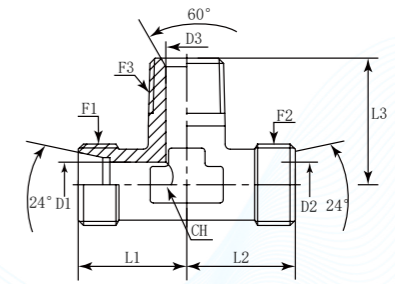


# DTTM

Adjustable Branch Tee with BSPT Male



- DME&JDE Code: **DTTM**
- Product Type: **Hydraulic adaptor**
- Standard: **DIN 2353**
- Structure: **Branch Tee**
- Connection Type: **Adjustable Male x Male x Male**
- Thread Types: **Metric x Metric x BSPT**



PART NUMBER	F1 (Thread)	F2 (Thread)	F3 (Thread)	D1	D2	D3	L1	L2	L3	CH
#	METRIC	METRIC	BSPT	mm	mm	mm	mm	mm	mm	mm
DTTM-06L-01R	M12X1.5	M12X1.5	1/8"-27	4.00	4.00	4.50	19.00	19.00	20.00	12.00
DTTM-06L-02R	M12X1.5	M12X1.5	1/4"-19	4.00	4.00	6.00	21.00	21.00	36.00	12.00
DTTM-06S-02R	M14X1.5	M14X1.5	1/4"-19	4.00	4.00	6.00	23.00	23.00	26.00	12.00
DTTM-08L-02R	M14X1.5	M14X1.5	1/4"-19	6.00	6.00	6.00	21.00	21.00	26.00	12.00
DTTM-08L-03R	M14X1.5	M14X1.5	3/8"-19	6.00	6.00	9.00	24.00	24.00	28.00	17.00
DTTM-08S-02R	M16X1.5	M16X1.5	1/4"-19	5.00	5.00	6.00	24.00	24.00	27.00	14.00
DTTM-10L-02R	M16X1.5	M16X1.5	1/4"-19	8.00	8.00	6.00	22.00	22.00	27.00	14.00
DTTM-10L-03R	M16X1.5	M16X1.5	3/8"-19	8.00	8.00	9.00	24.00	24.00	28.00	17.00
DTTM-10L-04R	M16X1.5	M16X1.5	1/2"-14	8.00	8.00	12.00	24.00	24.00	34.00	19.00
DTTM-10S-03R	M18X1.5	M18X1.5	3/8"-19	7.00	7.00	9.00	25.00	25.00	28.00	17.00
DTTM-12L-03R	M18X1.5	M18X1.5	3/8"-19	10.00	10.00	9.00	24.00	24.00	28.00	17.00
DTTM-12L-04R	M18X1.5	M18X1.5	1/2"-14	10.00	10.00	12.00	24.00	24.00	32.00	22.00
DTTM-12S-03R	M20X1.5	M20X1.5	3/8"-19	8.00	8.00	9.00	29.00	29.00	29.00	17.00
DTTM-12S-04R	M20X1.5	M20X1.5	1/2"-14	8.00	8.00	12.00	29.00	29.00	32.00	19.00
DTTM-14S-03R	M22X1.5	M22X1.5	3/8"-19	10.00	10.00	9.00	30.00	30.00	30.00	19.00
DTTM-14S-04R	M22X1.5	M22X1.5	1/2"-14	10.00	10.00	12.00	30.00	30.00	34.00	19.00
DTTM-15L-03R	M22X1.5	M22X1.5	3/8"-19	12.00	12.00	9.00	28.00	28.00	30.00	19.00
DTTM-15L-04R	M22X1.5	M22X1.5	1/2"-14	12.00	12.00	12.00	28.00	28.00	34.00	19.00
DTTM-16S-03R	M24X1.5	M24X1.5	3/8"-19	12.00	12.00	9.00	33.00	33.00	37.00	24.00
DTTM-16S-04R	M24X1.5	M24X1.5	1/2"-14	12.00	12.00	12.00	33.00	33.00	36.00	24.00
DTTM-18L-04R	M26X1.5	M26X1.5	1/2"-14	15.00	15.00	12.00	31.00	31.00	36.00	24.00
DTTM-18L-06R	M26X1.5	M26X1.5	3/4"-14	15.00	15.00	16.70	34.00	34.00	42.00	27.00
DTTM-20S-04R	M30X2	M30X2	1/2"-14	16.00	16.00	12.00	37.00	37.00	41.00	27.00
DTTM-20S-06R	M30X2	M30X2	3/4"-14	16.00	16.00	16.70	37.00	37.00	42.00	27.00
DTTM-22L-06R	M30X2	M30X2	3/4"-14	19.00	19.00	16.70	35.00	35.00	42.00	27.00
DTTM-25S-06R	M36X2	M36X2	3/4"-14	20.00	20.00	16.70	42.00	42.00	45.00	36.00
DTTM-25S-08R	M36X2	M36X2	1"-11	20.00	20.00	22.20	42.00	42.00	48.00	36.00
DTTM-28L-08R	M36X2	M36X2	1"-11	24.00	24.00	22.20	38.00	38.00	48.00	36.00
DTTM-30S-08R	M42X2	M42X2	1"-11	25.00	25.00	22.20	49.00	49.00	55.00	41.00
DTTM-30S-10R	M42X2	M42X2	1-1/4"-11	25.00	25.00	28.60	49.00	49.00	55.00	41.00
DTTM-35L-10R	M45X2	M45X2	1-1/4"-11	30.00	30.00	28.60	45.00	45.00	55.00	41.00
DTTM-38S-12R	M52X2	M52X2	1-1/2"-11	32.00	32.00	33.30	57.00	57.00	61.00	50.00
DTTM-42L-12R	M52X2	M52X2	1-1/2"-11	36.00	36.00	33.30	51.00	51.00	61.00	50.00

Web: <https://www.dmejde.com>  
E-mail: [info@dmejde.com](mailto:info@dmejde.com)





# Hydraulic Adaptors

**JIS** >>

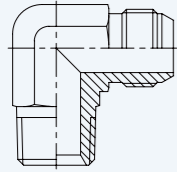


<p><b>DAJSBM105JM</b> P658</p> <p>Straight Connector JIS BSPP Male 60° Cone</p>	<p><b>DAJSM152JM</b> P659</p> <p>Straight Connector JIS Metric Male 60° Cone</p>	<p><b>DAJSBM105M</b> P660</p> <p>Straight Connector JIS BSPP Male 60° - BSPP Male 60° Cone</p>	<p><b>DAJSBM107M</b> P661</p> <p>Straight Connector JIS BSPP Male 60° - BSPT Male 60°</p>
<p><b>DAJSM128M</b> P662</p> <p>Straight Connector JIS Metric Male 60° - NPTF Male 60°</p>	<p><b>DAJSM107M</b> P663</p> <p>Straight Connector JIS Metric Male 60° - BSPT Male 60°</p>	<p><b>DAJSBM1305</b> P664</p> <p>Straight Connector JIS BSPP Male 60° Cone - SAE Male + O Ring</p>	<p><b>DAJSBM1000</b> P665</p> <p>JIS Male Plug BSPP 60° Cone</p>
<p><b>DAJSM1000</b> P666</p> <p>Plug JIS Male O Ring</p>	<p><b>DAJSM1251</b> P667</p> <p>Straight Connector JIS Metric Male 60° - JIC Swivel Female 74°</p>	<p><b>DAJSBM105F</b> P668</p> <p>Straight Connector JIS BSPP Male 60° Cone - BSPP Female</p>	<p><b>DAJSB31000</b> P669</p> <p>JIS BSPP Female Cap Swivel 60° Cone</p>
<p><b>DAJS31000</b> P670</p> <p>JIS Metric Female Cap Swivel 60° Cone</p>	<p><b>DAJSM407M</b> P671</p> <p>45° Elbow JIS Metric Male 60° Cone - BSPT Male 60°</p>	<p><b>DAJSM452Q</b> P672</p> <p>45° Adjustable Elbow JIS Metric Male 60° - Metric Male + O Ring + Retaining Ring</p>	<p><b>DAJSBM407M</b> P673</p> <p>45° Elbow JIS BSPP Male 60° Cone - BSPT Male 60°</p>



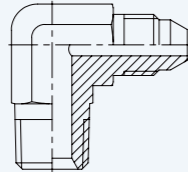


**DAJSBM907M**  
P674



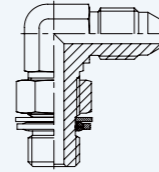
90° Elbow JIS BSPP Male 60° - BSPT Male 60° Cone

**DAJSM907M**  
P675



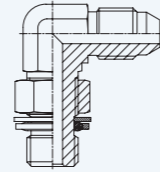
90° Elbow JIS Metric Male 60° Cone - BSPT Male 60°

**DAJSBM906Q**  
P676



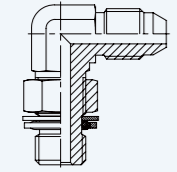
Adjustable 90° Elbow JIS BSPP Male 60° - BSPP Male + O Ring + Retaining Ring

**DAJSM906Q**  
P678



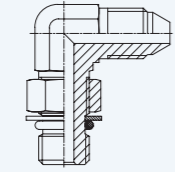
90° Elbow JIS Metric Male 60° Cone - BSPP Male + O Ring + Retaining Ring

**DAJSM952Q**  
P679



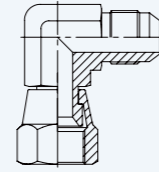
Adjustable 90° Elbow JIS Metric Male 60° - Metric Male + O Ring + Retaining Ring

**DAJSBM9305**  
P680



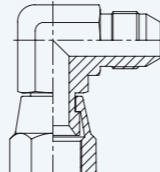
Adjustable 90° Elbow JIS BSPP Male 60° - SAE Male + O Ring

**DAJSM9071**  
P681



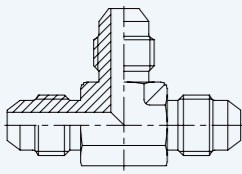
90° Elbow JIS Metric Male 60° Cone - Metric Swivel Female 60°

**DAJSBM9041**  
P682



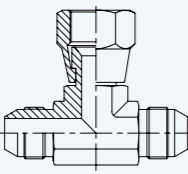
90° Elbow JIS BSPP Male 60° Cone - BSPP Swivel Female 60°

**DAJSMT52JM**  
P683



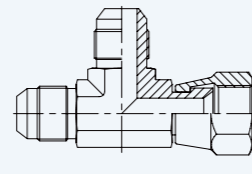
Branch Tee Connector JIS Metric Male 60° - JIS Metric Male 60°

**DAJSMT071**  
P684



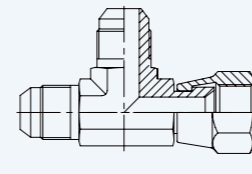
Branch Tee JIS Metric Male 60° Cone - Metric Swivel Female 60°

**DAJSML071**  
P685



Run Tee JIS Metric Male 60° Cone - Metric Swivel Female 60°

**DAJSBML041**  
P686



Run Tees JIS BSPP Female 60° Cone - BSPP Male 60°

**DAJSBM105JM**

Straight Connector JIS BSPP Male 60° Cone

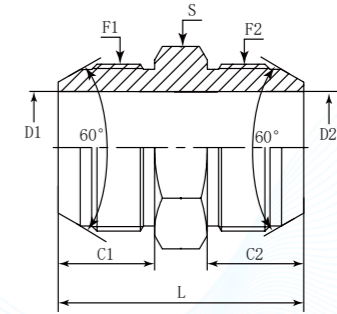
<b>D</b>	<b>A</b>	<b>JSB</b>	<b>M</b>	<b>1</b>	<b>05J</b>	<b>M</b>
Company	Product Range	Thread Types	Connection Type	Adaptor Structure	Thread Types	Connection Type
<b>DME</b>	Adaptor	JIS BSPP	Male	Straight	JIS BSPP	Male

German Technology Equipment

**SHIELD FLEX**

New-Standard

- DME&JDE Code: **DAJSBM105JM**
- Product Type: **Hydraulic adaptor**
- Standard: **JIS**
- Structure: **Straight**
- Connection Type: **Male x Male**
- Thread Types: **JIS BSPP 60° Cone x JIS BSPP 60° Cone**



Filter the F1 Thread through selecting the -XX options

PART NUMBER	F1/F2 (Thread)	C1/C2	D1/D2	L	S	Cross Number
#	BSPP	mm	mm	mm	mm	-
DAJSBM105JM-0404	1/4"-19	16.00	4.00	38.00	17.00	1S-04
DAJSBM105JM-0606	3/8"-19	18.00	8.50	42.00	19.00	1S-06
DAJSBM105JM-0808	1/2"-14	20.00	9.30	48.00	22.00	1S-08
DAJSBM105JM-1212	3/4"-14	22.00	16.70	54.00	30.00	1S-12
DAJSBM105JM-1616	1"-11	24.00	20.00	59.00	36.00	1S-16
DAJSBM105JM-2020	1-1/4"-11	27.00	28.00	67.00	46.00	1S-20
DAJSBM105JM-2424	1-1/2"-11	27.00	34.00	69.00	50.00	1S-24
DAJSBM105JM-3232	2"-11	30.00	46.00	77.00	65.00	1S-32



## DAJSM152JM

Straight Connector JIS Metric Male 60° Cone

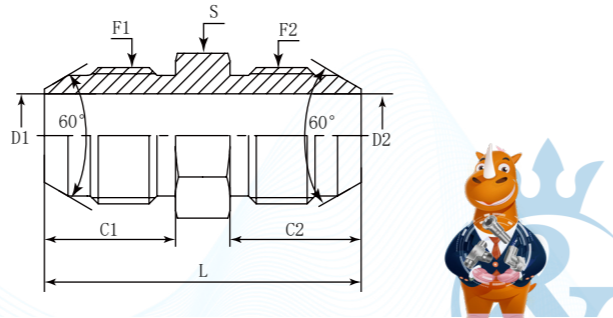
German Technology Equipment

**SHIELD FLEX**

New-Standard

- D** Company: **DME**
- A** Product Range: Adaptor
- JS** Thread Types: JIS Metric
- M** Connection Type: Male
- 1** Adaptor Structure: Straight
- 52J** Thread Types: JIS Metric
- M** Connection Type: Male

- DME&JDE Code:** DAJSM152JM
- Product Type:** Hydraulic adaptor
- Standard:** JIS
- Structure:** Straight
- Connection Type:** Male x Male
- Thread Types:** JIS Metric 60° Cone x JIS Metric 60° Cone



PART NUMBER	F1/F2 (Thread)	C1/C2	D1/D2	L	S	Cross Number
#	Metric	mm	mm	mm	mm	-
DAJSM152JM-1414	M14X1.5	17.00	5.00	40.00	17.00	1K-14
DAJSM152JM-1616	M16X1.5	18.00	7.00	42.00	17.00	1K-16
DAJSM152JM-1818	M18X1.5	18.00	8.50	42.00	19.00	1K-18
DAJSM152JM-2020	M20X1.5	20.00	10.00	48.00	22.00	1K-20
DAJSM152JM-2222	M22X1.5	20.00	12.00	48.00	24.00	1K-22
DAJSM152JM-2424	M24X1.5	21.50	15.00	53.00	27.00	1K-24
DAJSM152JM-3030	M30X1.5	26.00	18.50	63.00	32.00	1K-30
DAJSM152JM-3333	M33X1.5	30.00	20.00	71.00	36.00	1K-33



## DAJSBM105M

Straight Connector JIS BSPP Male 60° - BSPP Male 60° Cone

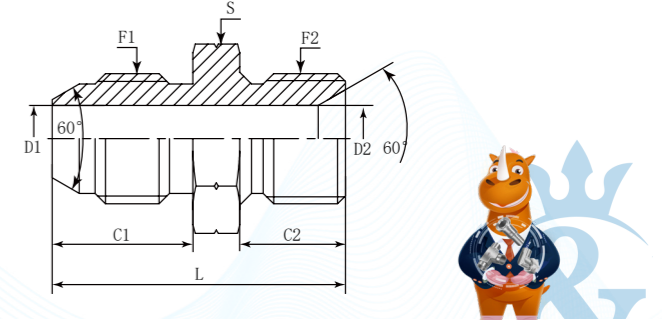
German Technology Equipment

**SHIELD FLEX**

New-Standard

- D** Company: **DME**
- A** Product Range: Adaptor
- JSB** Thread Types: JIS BSPP
- M** Connection Type: Male
- 1** Adaptor Structure: Straight
- 05** Thread Types: JIS BSPP
- M** Connection Type: Male

- DME&JDE Code:** DAJSBM105M
- Product Type:** Hydraulic adaptor
- Standard:** JIS
- Structure:** Straight
- Connection Type:** Male x Male
- Thread Types:** JIS BSPP 60° x BSPP 60° Cone



PART NUMBER	F1 (Thread)	F2 (Thread)	C1	C2	D1	D2	L	S
#	BSPP	BSPP	mm	mm	mm	mm	mm	mm
DAJSBM105M-0404	1/4"-19	1/4"-19	16.00	12.00	4.00	4.00	34.00	19.00
DAJSBM105M-0406	1/4"-19	3/8"-19	16.00	13.50	4.00	8.50	34.00	19.00
DAJSBM105M-0604	3/8"-19	1/4"-19	18.00	12.00	8.50	4.00	36.00	19.00
DAJSBM105M-0606	3/8"-19	3/8"-19	18.00	13.50	8.50	8.50	37.50	22.00
DAJSBM105M-0608	1/2"-14	3/8"-19	18.00	16.00	11.00	8.50	44.00	27.00
DAJSBM105M-0806	3/8"-19	1/2"-14	20.00	13.50	8.50	11.00	41.50	22.00
DAJSBM105M-0808	1/2"-14	1/2"-14	20.00	16.00	11.00	11.00	46.00	27.00
DAJSBM105M-0812	3/4"-14	1/2"-14	20.00	18.50	16.70	11.00	49.50	32.00
DAJSBM105M-1206	3/8"-19	3/4"-14	22.00	13.50	8.50	16.70	45.50	30.00
DAJSBM105M-1208	1/2"-14	3/4"-14	22.00	16.00	11.00	20.00	48.00	30.00
DAJSBM105M-1212	3/4"-14	3/4"-14	22.00	18.50	16.70	16.70	51.50	32.00
DAJSBM105M-1216	1"-11	3/4"-14	22.00	20.50	20.00	16.70	55.50	41.00
DAJSBM105M-1608	1/2"-14	1"-11	24.00	16.00	11.00	20.00	51.00	36.00
DAJSBM105M-1612	3/4"-14	1"-11	24.00	18.50	16.70	20.00	53.50	36.00
DAJSBM105M-1616	1"-11	1"-11	24.00	20.50	20.00	20.00	57.50	41.00



## DAJSBM107M

Straight Connector JIS BSPP Male 60° - BSPT Male 60°

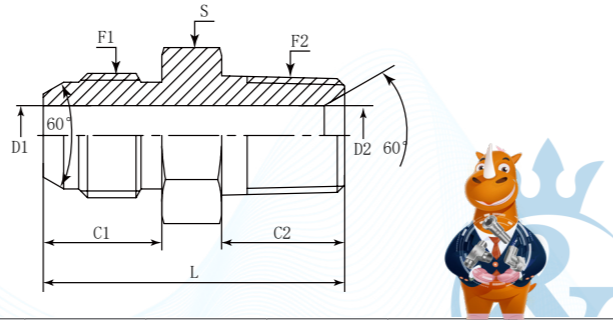
German Technology Equipment

SHIELD FLEX

New-Standard

- D** Company: DME
- A** Product Range: Adaptor
- JSB** Thread Types: JIS BSPP
- M** Connection Type: Male
- 1** Adaptor Structure: Straight
- 07** Thread Types: BSPT
- M** Connection Type: Male

- DME&JDE Code:** DAJSBM107M
- Product Type:** Hydraulic adaptor
- Standard:** JIS
- Structure:** Straight
- Connection Type:** Male x Male
- Thread Types:** JIS BSPP 60° x BSPT 60°



PART NUMBER	F1 (Thread)	F2 (Thread)	C1	C2	D1	D2	L	S
#	BSPP	BSPT	mm	mm	mm	mm	mm	mm
DAJSBM107M-0404	1/4"-19	1/4"-19	16.00	14.50	4.50	6.00	38.00	17.00
DAJSBM107M-0606	3/8"-19	3/8"-19	18.00	15.00	8.50	8.50	39.00	19.00
DAJSBM107M-0808	1/2"-14	1/2"-14	20.00	19.00	9.30	12.00	47.00	22.00
DAJSBM107M-1212	3/4"-14	3/4"-14	22.00	20.00	16.00	16.00	52.00	30.00
DAJSBM107M-1616	1"-11	1"-11	24.00	25.50	20.00	22.20	62.50	41.00
DAJSBM107M-2020	1-1/4"-11	1-1/4"-11	27.00	25.00	28.00	28.00	65.00	46.00
DAJSBM107M-2424	1-1/2"-11	1-1/2"-11	27.00	25.00	33.30	33.30	67.00	50.00
DAJSBM107M-3232	2"-11	2"-11	30.00	30.00	46.00	46.00	77.00	65.00

## DAJSM128M

Straight Connector JIS Metric Male 60° - NPTF Male 60°

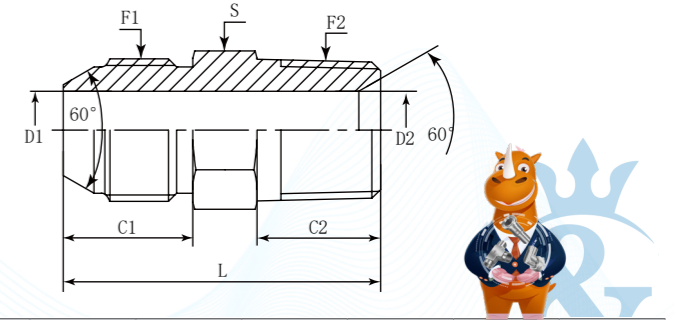
German Technology Equipment

SHIELD FLEX

New-Standard

- D** Company: DME
- A** Product Range: Adaptor
- JS** Thread Types: JIS Metric
- M** Connection Type: Male
- 1** Adaptor Structure: Straight
- 28** Thread Types: NPTF
- M** Connection Type: Male

- DME&JDE Code:** DAJSM128M
- Product Type:** Hydraulic adaptor
- Standard:** JIS
- Structure:** Straight
- Connection Type:** Male x Male
- Thread Types:** JIS Metric 60° x NPTF 60°



PART NUMBER	F1 (Thread)	F2 (Thread)	C1	C2	D1	D2	L	S	Cross Number
#	Metric	NPTF	mm	mm	mm	mm	mm	mm	-
DAJSM128M-1404	M14X1.5	1/4"-18	17.00	14.22	5.00	7.14	38.00	17.00	1KN-1404
DAJSM128M-1406	M14X1.5	3/8"-18	17.00	14.22	5.00	10.31	39.00	19.00	1KN-1406
DAJSM128M-1606	M16X1.5	3/8"-18	18.00	14.22	7.00	10.31	40.00	19.00	1KN-1606
DAJSM128M-1608	M16X1.5	1/2"-14	18.00	19.05	7.00	13.49	45.50	22.00	1KN-1608
DAJSM128M-1806	M18X1.5	3/8"-18	18.00	14.22	8.50	10.31	40.00	19.00	1KN-1806
DAJSM128M-2006	M20X1.5	3/8"-18	20.00	14.22	10.00	10.00	44.00	22.00	1KN-2006
DAJSM128M-2008	M20X1.5	1/2"-14	20.00	19.05	10.00	13.49	47.50	22.00	1KN-2008
DAJSM128M-2208	M22X1.5	1/2"-14	20.00	19.05	12.00	12.00	47.50	24.00	1KN-2208
DAJSM128M-2408	M24X1.5	1/2"-14	21.50	19.05	13.49	13.49	50.50	27.00	1KN-2408
DAJSM128M-2412	M24X1.5	3/4"-14	21.50	19.05	15.00	18.26	51.00	30.00	1KN-2412
DAJSM128M-3012	M30X1.5	3/4"-14	26.00	19.05	18.26	18.26	56.00	32.00	1KN-3012
DAJSM128M-3316	M33X1.5	1"-11-1/2	30.00	23.88	20.00	23.88	66.50	36.00	1KN-3316





## DAJSM107M

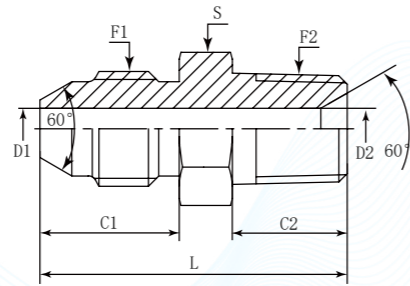
Straight Connector JIS Metric Male 60° - BSPT Male 60°

German Technology Equipment

New-Standard

- D** Company: **DME**
- A** Product Range: Adaptor
- JS** Thread Types: JIS Metric
- M** Connection Type: Male
- 1** Adaptor Structure: Straight
- 07** Thread Types: BSPT
- M** Connection Type: Male

- DME&JDE Code:** DAJSM107M
- Product Type:** Hydraulic adaptor
- Standard:** JIS
- Structure:** Straight
- Connection Type:** Male x Male
- Thread Types:** JIS BSPP 60° x BSPT 60°



PART NUMBER	F1 (Thread)	F2 (Thread)	C1	C2	D1	D2	L	S	Cross Number
#	Metric	BSPT	mm	mm	mm	mm	mm	mm	-
DAJSM107M-1204	M12X1.5	1/4"-19	16.00	14.00	4.50	6.00	36.50	17.00	1KT-1204SP
DAJSM107M-1402	M14X1.5	1/8"-28	17.00	10.00	4.50	4.50	33.00	17.00	1KT-1402SP
DAJSM107M-1404	M14X1.5	1/4"-19	17.00	14.00	5.00	5.00	37.50	17.00	1KT-1404SP
DAJSM107M-1406	M14X1.5	3/8"-19	17.00	15.00	5.00	9.00	37.50	17.00	1KT-1406SP
DAJSM107M-1604	M16X1.5	1/4"-19	18.00	14.00	6.00	6.00	38.00	17.00	1KT-1604SP
DAJSM107M-1606	M16X1.5	3/8"-19	18.00	15.00	7.00	7.00	39.00	19.00	1KT-1606SP
DAJSM107M-1806	M18X1.5	3/8"-19	18.00	15.00	8.50	9.00	39.00	19.00	1KT-1806SP
DAJSM107M-1808	M18X1.5	1/2"-14	18.00	19.00	8.50	12.00	45.50	22.00	1KT-1808SP
DAJSM107M-2006	M20X1.5	3/8"-19	20.00	15.00	10.00	9.00	43.00	24.00	1KT-2006SP
DAJSM107M-2208	M22X1.5	1/2"-14	20.00	19.00	12.00	12.00	48.00	24.00	1KT-2208SP
DAJSM107M-2408	M24X1.5	1/2"-14	21.50	19.00	15.00	12.00	50.50	27.00	1KT-2408SP
DAJSM107M-2412	M24X1.5	3/4"-14	21.50	20.00	15.00	16.70	51.50	30.00	1KT-2412SP
DAJSM107M-3012	M30X1.5	3/4"-14	26.00	20.00	18.50	16.70	57.00	32.00	1KT-3012SP
DAJSM107M-3316	M33X1.5	1"-11	30.00	24.00	20.00	22.20	65.00	36.00	1KT-3316SP

## DAJSBM1305

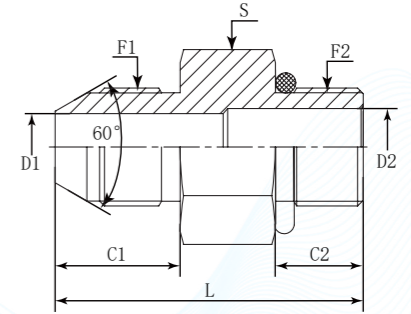
Straight Connector JIS BSPP Male 60° Cone - SAE Male + O Ring

German Technology Equipment

New-Standard

- D** Company: **DME**
- A** Product Range: Adaptor
- JSB** Thread Types: JIS BSPP
- M** Connection Type: Male
- 1** Adaptor Structure: Straight
- 30** Thread Types: SAE
- 5** Connection & Sealing Method: Male + O Ring

- DME&JDE Code:** DAJSBM1305
- Product Type:** Hydraulic adaptor
- Standard:** JIS
- Structure:** Straight
- Connection Type:** Male x Male
- Thread Types:** JIS BSPP 60° Cone x UNF



PART NUMBER	F1 (Thread)	F2 (Thread)	C1	C2	D1	D2	L	S
#	BSPP	UNF	mm	mm	mm	mm	mm	mm
DAJSBM1305-0404	1/4"-19	7/16"-20	16.00	9.10	4.00	4.00	31.00	14
DAJSBM1305-0406	1/4"-19	9/16"-18	16.00	9.90	4.00	7.54	32.00	17
DAJSBM1305-0604	3/8"-19	7/16"-20	18.00	9.10	8.50	4.37	33.00	17
DAJSBM1305-0606	3/8"-19	9/16"-18	18.00	9.90	8.50	7.54	34.00	17
DAJSBM1305-0806	1/2"-14	9/16"-18	20.00	11.10	9.30	7.54	38.00	22
DAJSBM1305-0808	1/2"-14	3/4"-16	20.00	11.10	9.30	9.30	39.00	22
DAJSBM1305-1210	3/4"-14	7/8"-14	22.00	1.70	16.00	12.29	44.50	30
DAJSBM1305-1212	3/4"-14	1-1/16"-12	22.00	15.10	15.47	15.47	48.00	32
DAJSBM1305-1612	1"-11	1-1/16"-12	24.00	15.10	20.00	15.47	50.00	36
DAJSBM1305-1616	1"-11	1-5/16"-12	24.00	15.10	20.00	21.44	50.00	38
DAJSBM1305-2016	1-1/4"-11	1-5/16"-12	7.00	15.10	28.00	21.44	55.00	46
DAJSBM1305-2020	1-1/4"-11	1-5/8"-12	27.00	15.10	27.38	27.38	57.00	50
DAJSBM1305-2420	1-1/2"-11	1-5/8"-12	27.00	15.10	34.00	27.38	57.00	50
DAJSBM1305-2424	1-1/2"-11	1-7/8"-12	27.00	15.10	33.32	33.32	57.00	55



## DAJSBM1000

JIS Male Plug BSPP 60° Cone

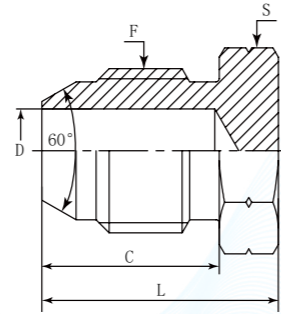
<b>D</b>	<b>A</b>	<b>JSB</b>	<b>M</b>	<b>1</b>	<b>000</b>
Company	Product Range	Thread Types	Connection Type	Adaptor Structure	Other Features
<b>DME</b>	Adaptor	JIS BSPP	Male	Straight	Nut/Plug

German Technology Equipment

**SHIELD FLEX**

New-Standard

- DME&JDE Code: **DAJSBM1000**
- Product Type: **Hydraulic adaptor**
- Adaptor Standard: **JIS**
- Adaptor Connection Type: **Male**
- Thread Types: **JIS BSPP 60° Cone**
- Other Features: **Nut/Plug**



PART NUMBER	F (Thread)	C	D	L	S	Cross Number
#	BSPP	mm	mm	mm	mm	-
DAJSBM1000-0200	1/8"-28	12.00	3.20	18.00	14.00	4S-02
DAJSBM1000-0400	1/4"-19	16.00	4.00	24.00	17.00	4S-04
DAJSBM1000-0600	3/8"-19	18.00	8.50	24.00	19.00	4S-06
DAJSBM1000-0800	1/2"-14	20.00	9.30	28.00	22.00	4S-08
DAJSBM1000-1200	3/4"-14	22.00	16.70	32.00	30.00	4S-12
DAJSBM1000-1600	1"-11	24.00	20.00	35.00	36.00	4S-16
DAJSBM1000-2000	1-1/4"-11	27.00	28.00	40.00	46.00	4S-20
DAJSBM1000-2400	1-1/2"-11	27.00	34.00	42.00	50.00	4S-24
DAJSBM1000-3200	2"-11	30.00	46.00	47.00	65.00	4S-32

## DAJSM1000

JIS Metric Male Plug 60° Cone

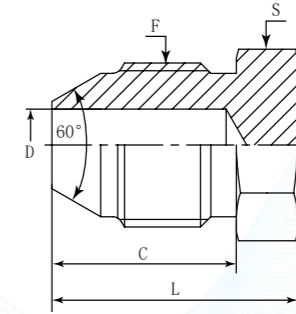
<b>D</b>	<b>A</b>	<b>JS</b>	<b>M</b>	<b>1</b>	<b>000</b>
Company	Product Range	Thread Types	Connection Type	Adaptor Structure	Other Features
<b>DME</b>	Adaptor	JIS Metric	Male	Straight	Nut/Plug

German Technology Equipment

**SHIELD FLEX**

New-Standard

- DME&JDE Code: **DAJSM1000**
- Product Type: **Hydraulic adaptor**
- Standard: **JIS**
- Connection Type: **Male**
- Thread Types: **JIS Metric 60° Cone**
- Other Features: **Nut/Plug**



PART NUMBER	F (Thread)	C	D	L	S	Cross Number
#	Metric	mm	mm	mm	mm	-
DAJSM1000-1200	M12X1.5	17.00	3.00	22.00	14.00	4K-12
DAJSM1000-1400	M14X1.5	17.00	5.00	23.00	17.00	4K-14
DAJSM1000-1600	M16X1.5	18.00	7.00	24.00	17.00	4K-16
DAJSM1000-1800	M18X1.5	18.00	8.50	25.00	19.00	4K-18
DAJSM1000-2000	M20X1.5	20.00	10.00	28.00	22.00	4K-20
DAJSM1000-2200	M22X1.5	20.00	12.00	28.00	24.00	4K-22
DAJSM1000-2400	M24X1.5	21.50	15.00	31.50	27.00	4K-24
DAJSM1000-2600	M26X1.5	22.00	16.70	32.00	30.00	4K-26
DAJSM1000-3000	M30X1.5	26.00	18.50	37.00	32.00	4K-30
DAJSM1000-3300	M33X1.5	30.00	20.00	41.00	36.00	4K-33
DAJSM1000-4200	M42X1.5	27.00	28.00	41.00	46.00	4K-42



## DAJSO1000

Plug JIS Male O Ring

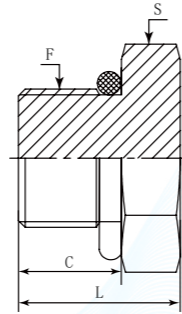
<b>D</b>	<b>A</b>	<b>JS</b>	<b>0</b>	<b>1</b>	<b>000</b>
Company	Product Range	Thread Types	Sealing Method	Adaptor Structure	Other Features
<b>DME</b>	Adaptor	JIS Metric	O rings	Straight	Nut/Plug

German Technology Equipment

**SHIELD FLEX**

New-Standard

- DME&JDE Code: **DAJSO1000**
- Product Type: **Hydraulic adaptor**
- Standard: **JIS**
- Connection Type: **Male**
- Thread Types: **BSPP**
- Sealing Method: **O Rings**
- Other Features: **Nut/Plug**



PART NUMBER	F (Thread)	C	L	S
#	BSPP	mm	mm	mm
DAJSO1000-0200	1/8"-28	7.60	13.50	14.00
DAJSO1000-0400	1/4"-19	11.20	15.00	17.00
DAJSO1000-0600	3/8"-19	12.00	22.00	24.00
DAJSO1000-1000	5/8"-14	14.50	23.00	32.00
DAJSO1000-1200	3/4"-14	14.50	27.00	36.00
DAJSO1000-1600	1"-11	18.60	30.00	46.00
DAJSO1000-2000	1-1/4"-11	18.60	32.00	50.00

Web: <https://www.dmejde.com>  
E-mail: [info@dmejde.com](mailto:info@dmejde.com)



Certificate:

## DAJSM1251

Straight Connector JIS Metric Male 60° - JIC Swivel Female 74°

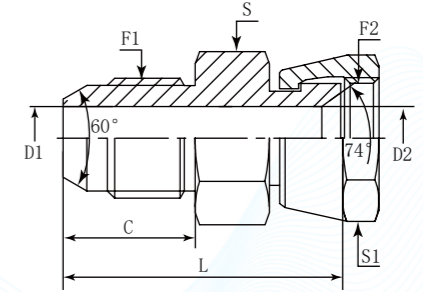
<b>D</b>	<b>A</b>	<b>JS</b>	<b>M</b>	<b>1</b>	<b>251</b>
Company	Product Range	Thread Types	Connection Type	Adaptor Structure	Connection Type
<b>DME</b>	Adaptor	JIS Metric	Male	Straight	JIC Swivel Female

German Technology Equipment

**SHIELD FLEX**

New-Standard

- DME&JDE Code: **DAJSM1251**
- Product Type: **Hydraulic adaptor**
- Standard: **JIS**
- Structure: **Straight**
- Connection Type: **Male x Swivel Female**
- Thread Types: **JIS Metric 60° x JIC UNF 74°**



PART NUMBER	F1 (Thread)	F2 (Thread)	C	D1	D2	L	S	S1
#	Metric	UNF	mm	mm	mm	mm	mm	mm
DAJSM1251-1404	M14X1.5	7/16"-20	17.00	4.37	4.37	32.50	17.00	14.27
DAJSM1251-1606	M16X1.5	9/16"-18	18.00	7.00	7.00	34.00	17.00	17.45
DAJSM1251-1806	M18X1.5	9/16"-18	18.00	7.54	7.54	37.00	19.00	17.45
DAJSM1251-2008	M20X1.5	3/4"-16	20.00	9.93	9.93	39.50	22.00	22.23
DAJSM1251-2208	M22X1.5	3/4"-16	20.00	12.00	9.93	39.50	24.00	22.23
DAJSM1251-2410	M24X1.5	7/8"-14	21.50	15.00	12.29	43.50	27.00	25.40
DAJSM1251-3010	M30X1.5	7/8"-14	26.00	18.50	12.29	49.00	32.00	25.40
DAJSM1251-3012	M30X1.5	1-1/16"-12	26.00	18.50	15.47	50.00	32.00	31.75
DAJSM1251-3312	M33X1.5	1-1/16"-12	30.00	20.00	15.47	54.00	36.00	31.75
DAJSM1251-3316	M33X1.5	1-5/16"-12	30.00	20.00	21.44	55.50	36.00	38.10

Web: <https://www.dmejde.com>  
E-mail: [info@dmejde.com](mailto:info@dmejde.com)



Certificate:



## DAJSBM105F

Straight Connector JIS BSPP Male 60° Cone – BSPP Female

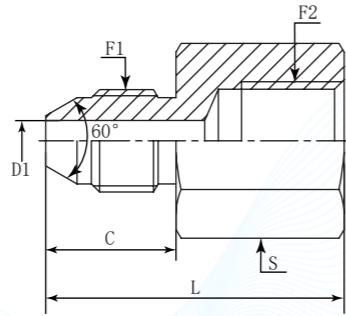
<b>D</b>	<b>A</b>	<b>JSB</b>	<b>M</b>	<b>1</b>	<b>05</b>	<b>F</b>
Company	Product Range	Thread Types	Connection Type	Adaptor Structure	Thread Types	Connection Type
<b>DME</b>	Adaptor	JIS BSPP	Male	Straight	JIS BSPP	Female

German Technology Equipment

**SHIELD FLEX**

New-Standard

- DME&JDE Code: **DAJSBM105F**
- Product Type: **Hydraulic adaptor**
- Standard: **JIS**
- Structure: **Straight**
- Connection Type: **Male × Female**
- Thread Types: **JIS BSPP 60° Cone × JIS BSPP**



PART NUMBER	F1 (Thread)	F2 (Thread)	C	D	L	S
#	BSPP	BSPP	mm	mm	mm	mm
DAJSBM105F-0202	1/8"-28	1/8"-28	12.00	3.20	27.50	14
DAJSBM105F-0204	1/8"-28	1/4"-19	12.00	3.20	32.00	19
DAJSBM105F-0404	1/4"-19	1/4"-19	16.00	4.00	36.00	19
DAJSBM105F-0406	1/4"-19	3/8"-19	16.00	4.00	36.00	22
DAJSBM105F-0408	1/4"-19	1/2"-14	16.00	4.00	40.00	27
DAJSBM105F-0412	1/4"-19	3/4"-14	16.00	4.00	45.00	32
DAJSBM105F-0608	3/8"-19	1/2"-14	18.00	8.50	39.50	27
DAJSBM105F-0808	1/2"-14	1/2"-14	20.00	9.30	44.00	27
DAJSBM105F-0812	1/2"-14	3/4"-14	20.00	9.30	48.50	32
DAJSBM105F-0816	1/2"-14	1"-11	20.00	9.30	54.00	41
DAJSBM105F-1216	3/4"-14	1"-11	22.00	16.00	56.00	41

Certificate:



## DAJSB31000

JIS BSPP Female Cap Swivel 60° Cone

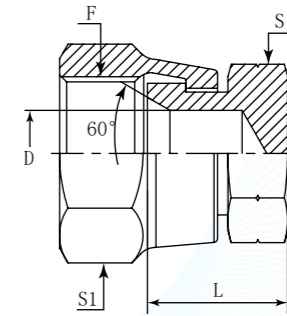
<b>D</b>	<b>A</b>	<b>JSB</b>	<b>3</b>	<b>1</b>	<b>000</b>
Company	Product Range	Thread Types	Adaptor Structure	Adaptor Structure	Other Features
<b>DME</b>	Adaptor	JIS BSPP	Slip-on Female	Straight	Nut/Plug

German Technology Equipment

**SHIELD FLEX**

New-Standard

- DME&JDE Code: **DAJSB31000**
- Product Type: **Hydraulic adaptor**
- Standard: **JIS**
- Connection Type: **Slip-on Female**
- Thread Types: **JIS BSPP Cap Swivel 60° Cone**
- Other Features: **Nut/Plug**



PART NUMBER	F (Thread)	D	L	S	S1	Cross Number
#	BSPP	mm	mm	mm	mm	-
DAJSB31000-0400	1/4"-19	4.00	14.50	17.00	19.00	9S-04
DAJSB31000-0600	3/8"-19	6.90	15.50	19.00	22.00	9S-06
DAJSB31000-0800	1/2"-14	9.50	19.00	22.00	27.00	9S-08
DAJSB31000-1000	5/8"-14	9.50	21.00	27.00	30.00	9S-10
DAJSB31000-1200	3/4"-14	15.00	23.50	32.00	32.00	9S-12
DAJSB31000-1600	1"-11	20.00	25.00	36.00	42.00	9S-16
DAJSB31000-2000	1-1/4"-11	26.00	30.00	50.00	50.00	9S-20

Certificate:



## DAJS31000

JIS Metric Female Cap Swivel 60° Cone

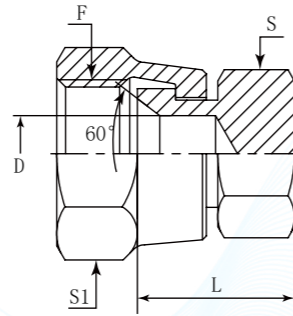
<b>D</b>	<b>A</b>	<b>JS</b>	<b>3</b>	<b>1</b>	<b>000</b>
Company	Product Range	Thread Types	Connection Type	Adaptor Structure	Other Features
<b>DME</b>	Adaptor	JIS Metric	Male	Straight	Nut/Plug

German Technology Equipment

**SHIELD FLEX**

New-Standard

- DME&JDE Code: **DAJS31000**
- Product Type: **Hydraulic adaptor**
- Standard: **JIS**
- Structure: **Straight**
- Connection Type: **Female**
- Thread Types: **JIS Metric Cap Swivel 60° Cone**
- Other Features: **Nut/Plug**



PART NUMBER	F (Thread)	D	L	S	S1	Cross Number
#	Metric	mm	mm	mm	mm	-
DAJS31000-1400	M14X1.5	4.00	15.00	19.00	19.00	9K-14
DAJS31000-1600	M16X1.5	5.50	17.50	22.00	22.00	9K-16
DAJS31000-1800	M18X1.5	7.00	18.50	24.00	24.00	9K-18
DAJS31000-2000	M20X1.5	9.50	18.50	24.00	24.00	9K-20
DAJS31000-2200	M22X1.5	9.50	21.00	27.00	27.00	9K-22
DAJS31000-2400	M24X1.5	12.50	22.50	32.00	32.00	9K-24
DAJS31000-2600	M26X1.5	15.00	23.50	32.00	32.00	9K-26
DAJS31000-3000	M30X1.5	14.00	25.00	36.00	36.00	9K-30
DAJS31000-3300	M33X1.5	18.50	25.50	41.00	41.00	9K-33



## DAJSM407M

45° Elbow JIS Metric Male 60° Cone - BSPT Male 60°

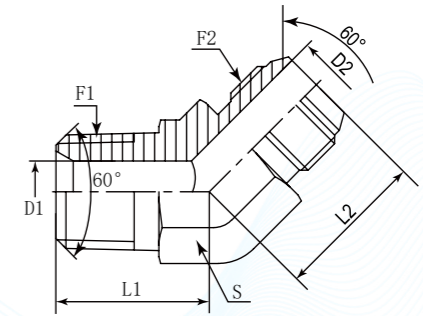
<b>D</b>	<b>A</b>	<b>JS</b>	<b>M</b>	<b>4</b>	<b>07</b>	<b>M</b>
Company	Product Range	Thread Types	Connection Type	Adaptor Structure	Thread Types	Connection Type
<b>DME</b>	Adaptor	JIS Metric	Male	45° Elbow	BSPT	Male

German Technology Equipment

**SHIELD FLEX**

New-Standard

- DME&JDE Code: **DAJSM407M**
- Product Type: **Hydraulic adaptor**
- Standard: **JIS**
- Structure: **45° Elbow**
- Connection Type: **Male x Male**
- Thread Types: **JIS Metric 60° Cone x BSPT 60°**



PART NUMBER	F1 (Thread)	F2 (Thread)	D1	D2	L1	L2	S	Cross Number
#	Metric	BSPT	mm	mm	mm	mm	mm	-
DAJSM407M-1404	M14X1.5	1/4"-19	5.00	6.00	25.00	21.00	14.00	1KT4-1404SP
DAJSM407M-1406	M14X1.5	3/8"-19	5.00	9.00	25.50	23.00	17.00	1KT4-1406SP
DAJSM407M-1606	M16X1.5	3/8"-19	7.00	9.00	26.00	23.00	17.00	1KT4-1606SP
DAJSM407M-1806	M18X1.5	3/8"-19	8.50	9.00	25.00	24.00	19.00	1KT4-1806SP
DAJSM407M-2006	M20X1.5	3/8"-19	10.00	9.00	30.00	24.00	19.00	1KT4-2006SP
DAJSM407M-2206	M22X1.5	3/8"-19	12.00	9.00	31.00	25.00	22.00	1KT4-2206SP
DAJSM407M-2208	M22X1.5	1/2"-14	12.00	12.00	31.00	30.00	22.00	1KT4-2208SP
DAJSM407M-2408	M24X1.5	1/2"-14	15.00	12.00	33.00	29.50	27.00	1KT4-2408SP
DAJSM407M-2412	M24X1.5	3/4"-14	15.00	16.70	33.00	30.50	27.00	1KT4-2412SP
DAJSM407M-3012	M30X1.5	3/4"-14	18.50	16.70	39.00	31.50	30.00	1KT4-3012SP
DAJSM407M-3316	M33X1.5	1"-11	20.00	22.20	37.50	38.00	33.00	1KT4-3316SP



## DAJSM452Q

45° Adjustable Elbow JIS Metric Male 60° - Metric Male + O Ring + Retaining Ring

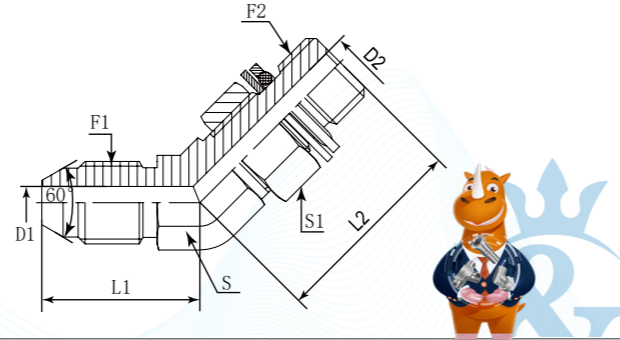
<b>D</b>	<b>A</b>	<b>JS</b>	<b>M</b>	<b>4</b>	<b>52</b>	<b>0</b>
Company	Product Range	Thread Types	Connection Type	Adaptor Structure	Thread Types	Connection Type
<b>DME</b>	Adaptor	JIS Metric	Male	45° Elbow	Metric	Male + O Ring + Retaining Ring

German Technology Equipment

**SHIELD FLEX**

New-Standard

- DME&JDE Code: **DAJSM452Q**
- Product Type: **Hydraulic adaptor**
- Standard: **JIS**
- Structure: **45° Elbow**
- Connection Type: **Adjustable Male × Male**
- Thread Types: **JIS Metric 60° Cone × Metric**
- Sealing Method: **O Ring + Retaining Ring**



PART NUMBER	F1 (Thread)	F2 (Thread)	D1	D2	L1	L2	S	S1
#	Metric	Metric	mm	mm	mm	mm	mm	mm
DAJSM452Q-1412	M14X1.5	M12X1.5	6.00	6.00	27.00	35.00	17.00	17.00
DAJSM452Q-1816	M18X1.5	M16X1.5	8.50	7.00	30.80	36.50	19.00	22.00
DAJSM452Q-1820	M18X1.5	M20X1.5	8.50	12.00	33.00	43.00	22.00	27.00
DAJSM452Q-2220	M22X1.5	M20X1.5	12.00	12.00	35.50	43.00	22.00	27.00

## DAJSBM407M

45° Elbow JIS BSPP Male 60° Cone - BSPT Male 60°

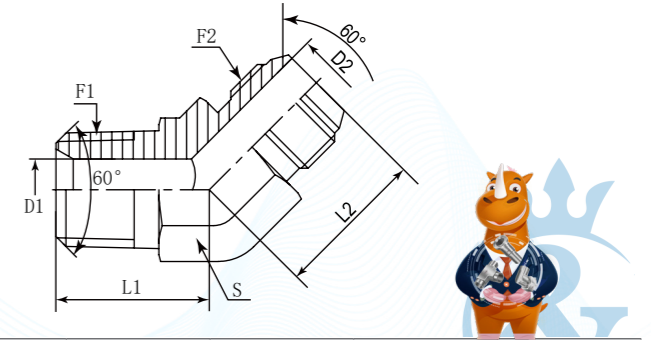
<b>D</b>	<b>A</b>	<b>JSB</b>	<b>M</b>	<b>4</b>	<b>07</b>	<b>M</b>
Company	Product Range	Thread Types	Connection Type	Adaptor Structure	Thread Types	Connection Type
<b>DME</b>	Adaptor	JIS BSPP	Male	45° Elbow	BSPT	Male

German Technology Equipment

**SHIELD FLEX**

New-Standard

- DME&JDE Code: **DAJSBM407M**
- Product Type: **Hydraulic adaptor**
- Standard: **JIS**
- Structure: **45° Elbow**
- Connection Type: **Male × Male**
- Thread Types: **JIS BSPP 60° Cone × BSPT 60°**



PART NUMBER	F1 (Thread)	F2 (Thread)	D1	D2	L1	L2	S
#	BSPP	BSPT	mm	mm	mm	mm	mm
DAJSBM407M-0404	1/4"-19	1/4"-19	6.00	4.00	21.80	20.80	14.00
DAJSBM407M-0406	3/8"-19	1/4"-19	9.00	4.00	26.00	21.00	17.00
DAJSBM407M-0604	1/4"-19	3/8"-19	6.00	8.50	24.50	23.00	17.00
DAJSBM407M-0606	3/8"-19	3/8"-19	9.00	8.50	24.10	22.10	19.00
DAJSBM407M-0608	1/2"-14	3/8"-19	12.00	8.50	30.50	25.00	22.00
DAJSBM407M-0804	1/4"-19	1/2"-14	6.00	12.00	26.50	29.50	22.00
DAJSBM407M-0806	3/8"-19	1/2"-14	9.00	9.00	28.50	29.50	22.00
DAJSBM407M-0808	1/2"-14	1/2"-14	12.00	9.30	31.00	29.50	22.00
DAJSBM407M-0812	3/4"-14	1/2"-14	16.70	9.30	34.00	30.00	27.00
DAJSBM407M-1212	3/4"-14	3/4"-14	16.70	16.00	30.50	32.50	27.00
DAJSBM407M-1216	1"-11	3/4"-14	22.20	16.00	37.50	32.00	33.00
DAJSBM407M-1616	1"-11	1"-11	22.20	20.00	37.30	37.30	33.00
DAJSBM407M-2020	1-1/4"-11	1-1/4"-11	28.00	28.00	44.50	43.00	41.00
DAJSBM407M-2424	1-1/2"-11	1-1/2"-11	33.30	33.30	47.50	47.00	48.00
DAJSBM407M-3232	2"-11	2"-11	46.00	46.00	54.00	53.00	63.00





## DAJSBM907M

90° Elbow JIS BSPP Male 60° - BSPT Male 60° Cone

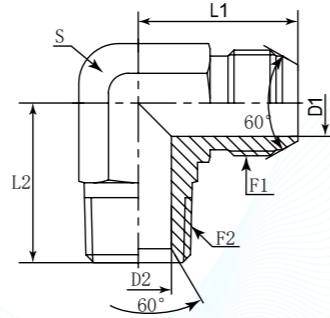
<b>D</b>	<b>A</b>	<b>JSB</b>	<b>M</b>	<b>9</b>	<b>07</b>	<b>M</b>
Company	Product Range	Thread Types	Connection Type	Adaptor Structure	Thread Types	Connection Type
<b>DME</b>	Adaptor	JIS BSPP	Male	90° Elbow	BSPT	Male

German Technology Equipment

**SHIELD FLEX**

New-Standard

- DME&JDE Code: **DAJSBM907M**
- Product Type: **Hydraulic adaptor**
- Standard: **JIS**
- Structure: **90° Elbow**
- Connection Type: **Male x Male**
- Thread Types: **JIS BSPP 60° x BSPT 60° Cone**



PART NUMBER	F1 (Thread)	F2 (Thread)	D1	D2	L1	L2	S
#	BSPP	BSPT	mm	mm	mm	mm	mm
DAJSBM907M-0204	1/4"-19	1/8"-28	4.5	4.5	26	22	14
DAJSBM907M-0404	1/4"-19	1/4"-19	4	6	27.5	26	14
DAJSBM907M-0406	3/8"-19	1/4"-19	8.5	6	31.5	26.5	17
DAJSBM907M-0604	1/4"-19	3/8"-19	4	8.5	30	28.5	17
DAJSBM907M-0606	3/8"-19	3/8"-19	8.5	9	31	31	19
DAJSBM907M-0608	1/2"-14	3/8"-19	9	9	38	32.5	22
DAJSBM907M-0806	3/8"-19	1/2"-14	8.5	12	36	36	22
DAJSBM907M-0808	1/2"-14	1/2"-14	9.3	12	38	36	22
DAJSBM907M-0812	3/4"-14	1/2"-14	16	16	43	39.5	27
DAJSBM907M-1208	1/2"-14	3/4"-14	9.3	16.7	41	43.5	27
DAJSBM907M-1212	3/4"-14	3/4"-14	16	16.7	40	41	27
DAJSBM907M-1612	3/4"-14	1"-11	16	22.2	47	50	33
DAJSBM907M-1616	1"-11	1"-11	20	22.2	48.5	50	33
DAJSBM907M-2020	1-1/4"-11	1-1/4"-11	28	28	57	56.5	41
DAJSBM907M-2424	1-1/2"-11	1-1/2"-11	33.3	33.3	61	62.5	48
DAJSBM907M-3232	2"-11	2"-11	46	46	73.2	74.2	63

## DAJSM907M

90° Elbow JIS Metric Male 60° Cone - BSPT Male 60°

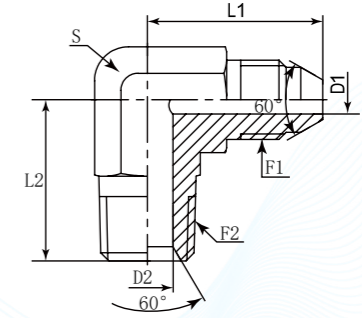
<b>D</b>	<b>A</b>	<b>JS</b>	<b>M</b>	<b>9</b>	<b>07</b>	<b>M</b>
Company	Product Range	Thread Types	Connection Type	Adaptor Structure	Thread Types	Connection Type
<b>DME</b>	Adaptor	JIS Metric	Male	90° Elbow	BSPT	Male

German Technology Equipment

**SHIELD FLEX**

New-Standard

- DME&JDE Code: **DAJSM907M**
- Product Type: **Hydraulic adaptor**
- Standard: **JIS**
- Structure: **90° Elbow**
- Connection Type: **Male x Male**
- Thread Types: **JIS Metric 60° Cone x BSPT 60°**



PART NUMBER	F1 (Thread)	F2 (Thread)	D1	D2	L1	L2	S	Cross Number
#	Metric	BSPT	mm	mm	mm	mm	mm	-
DAJSM907M-1402	M14X1.5	1/8"-28	5.00	4.50	28.50	22.00	14.00	1KT9-1402SP
DAJSM907M-1404	M14X1.5	1/4"-19	5.00	6.00	29.00	25.50	14.00	1KT9-1404SP
DAJSM907M-1406	M14X1.5	3/8"-19	5.00	9.00	30.00	31.00	19.00	1KT9-1406SP
DAJSM907M-1606	M16X1.5	3/8"-19	7.00	9.00	31.50	28.50	19.00	1KT9-1606SP
DAJSM907M-1806	M18X1.5	3/8"-19	8.50	9.00	33.80	29.50	19.00	1KT9-1806SP
DAJSM907M-2006	M20X1.5	3/8"-19	10.00	9.00	36.00	30.50	19.00	1KT9-2006SP
DAJSM907M-2206	M22X1.5	3/8"-19	12.00	9.00	38.00	32.50	22.00	1KT9-2206SP
DAJSM907M-2208	M22X1.5	1/2"-14	12.00	12.00	38.00	36.00	22.00	1KT9-2208SP
DAJSM907M-2408	M24X1.5	1/2"-14	15.00	12.00	43.00	40.50	27.00	1KT9-2408SP
DAJSM907M-2412	M24X1.5	3/4"-14	15.00	16.70	42.50	40.50	27.00	1KT9-2412SP
DAJSM907M-3012	M30X1.5	3/4"-14	18.50	16.70	48.00	45.30	30.00	1KT9-3012SP
DAJSM907M-3316	M33X1.5	1"-11	20.00	22.20	47.00	50.00	33.00	1KT9-3316SP



## DAJSBM906Q

Adjustable 90° Elbow JIS BSPP Male 60° - BSPP Male + O Ring + Retaining Ring

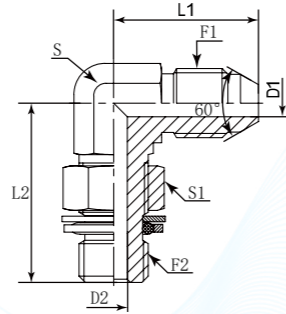
<b>D</b>	<b>A</b>	<b>JSB</b>	<b>M</b>	<b>9</b>	<b>06</b>	<b>Q</b>
Company	Product Range	Thread Types	Connection Type	Adaptor Structure	Thread Types	Connection Type
<b>DME</b>	Adaptor	JIS BSPP	Male	90° Elbow	BSPT	Male + O Ring + Retaining Ring

German Technology Equipment

**SHIELD FLEX**

New-Standard

- DME&JDE Code: DAJSBM906Q
- Product Type: Hydraulic adaptor
- Standard: JIS
- Structure: 90° Elbow
- Connection Type: Adjustable Male x Male
- Thread Types: JIS BSPP 60° x BSPP
- Sealing Method: O Ring + Retaining Ring



PART NUMBER	F1 (Thread)	F2 (Thread)	D1	D2	L1	L2	S	S1	Cross Number
#	BSPP	BSPP	mm	mm	mm	mm	mm	mm	-
DAJSBM906Q-0404	1/4"-19	1/4"-19	4.00	7.50	27.00	31.50	14.00	19.00	15G9-0404
DAJSBM906Q-0606	3/8"-19	3/8"-19	8.50	9.90	31.00	36.50	19.00	22.00	15G9-0606
DAJSBM906Q-0808	1/2"-14	1/2"-14	9.30	12.30	37.00	43.00	22.00	27.00	15G9-0808
DAJSBM906Q-1212	3/4"-14	3/4"-14	16.00	15.50	43.00	49.30	27.00	32.00	15G9-1212
DAJSBM906Q-1616	1"-11	1"-11	20.00	21.50	48.50	53.00	33.00	41.00	15G9-1616
DAJSBM906Q-2020	1-1/4"-11	1-1/4"-11	28.00	27.50	52.00	58.00	41.00	50.00	15G9-2020

## DAJSM906Q

90° Elbow JIS Metric Male 60° Cone - BSPP Male + O Ring + Retaining Ring

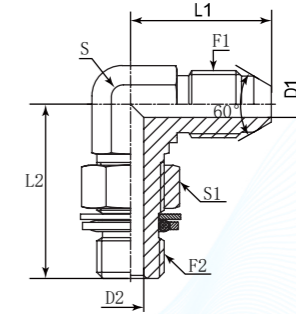
<b>D</b>	<b>A</b>	<b>JS</b>	<b>M</b>	<b>9</b>	<b>06</b>	<b>Q</b>
Company	Product Range	Thread Types	Connection Type	Adaptor Structure	Thread Types	Connection & Sealing Method
<b>DME</b>	Adaptor	JIS Metric	Male	90° Elbow	BSPP	Male + O Ring + Retaining Ring

German Technology Equipment

**SHIELD FLEX**

New-Standard

- DME&JDE Code: DAJSM906Q
- Product Type: Hydraulic adaptor
- Standard: JIS
- Structure: 90° Elbow
- Connection Type: Adjustable Male x Male
- Thread Types: JIS Metric 60° x BSPP
- Sealing Method: O Ring + Retaining Ring



PART NUMBER	F1 (Thread)	F2 (Thread)	D1	D2	L1	L2	S	S1
#	METRIC	BSPP	mm	mm	mm	mm	mm	mm
DAJSM906Q-1404	M14X1.5	1/4"-19	7.00	7.50	30.60	31.50	19	19
DAJSM906Q-1406	M14X1.5	3/8"-19	7.00	9.90	30.60	36.50	19	22
DAJSM906Q-1606	M16X1.5	3/8"-19	7.00	9.90	30.80	36.50	19	22
DAJSM906Q-1806	M18X1.5	3/8"-19	8.50	9.90	31.00	36.50	19	22
DAJSM906Q-2006	M20X1.5	3/8"-19	10.00	9.90	35.50	38.00	22	22
DAJSM906Q-2208	M22X1.5	1/2"-14	12.00	12.30	35.50	44.00	22	27
DAJSM906Q-2408	M24X1.5	1/2"-14	15.00	12.30	42.00	43.00	27	27
DAJSM906Q-3012	M30X1.5	3/4"-14	18.50	15.50	46.00	49.00	33	36
DAJSM906Q-3316	M33X1.5	1"-11	20.00	21.50	46.50	52.00	33	41



## DAJSM952Q

Adjustable 90° Elbow JIS Metric Male 60° - Metric Male + O Ring + Retaining Ring

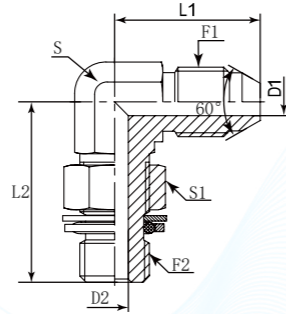
<b>D</b>	<b>A</b>	<b>JS</b>	<b>M</b>	<b>9</b>	<b>52</b>	<b>Q</b>
Company	Product Range	Thread Types	Connection Type	Adaptor Structure	Thread Types	Connection Type
<b>DME</b>	Adaptor	JIS Metric	Male	90° Elbow	Metric	Male + O Ring + Retaining Ring

German Technology Equipment

**SHIELD FLEX**

New-Standard

- DME&JDE Code: **DAJSM952Q**
- Product Type: **Hydraulic adaptor**
- Standard: **JIS**
- Structure: **90° Elbow**
- Connection Type: **Adjustable Male x Male**
- Thread Types: **JIS Metric 60° x Metric**
- Sealing Method: **O Ring + Retaining Ring**



PART NUMBER	F1 (Thread)	F2 (Thread)	D1	D2	L1	L2	S	S1
#	Metric	Metric	mm	mm	mm	mm	mm	mm
DAJSM952Q-1614	M16X1.5	M14X1.5	7.00	6.00	30.00	35.00	17.00	19.00
DAJSM952Q-1814	M18X1.5	M14X1.5	8.50	6.00	30.00	36.50	19.00	19.00
DAJSM952Q-1816	M18X1.5	M16X1.5	8.50	7.00	30.00	36.50	19.00	22.00
DAJSM952Q-2018	M20X1.5	M18X1.5	10.00	9.00	36.00	41.50	22.00	24.00
DAJSM952Q-2220	M22X1.5	M20X1.5	12.00	12.00	36.00	45.00	22.00	27.00

## DAJSBM9305

Adjustable 90° Elbow JIS BSPP Male 60° - SAE Male + O Ring

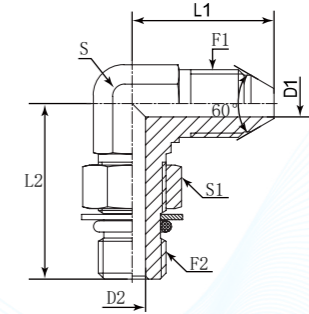
<b>D</b>	<b>A</b>	<b>JS</b>	<b>M</b>	<b>9</b>	<b>30</b>	<b>5</b>
Company	Product Range	Thread Types	Connection Type	Adaptor Structure	Thread Types	Connection & Sealing Method
<b>DME</b>	Adaptor	JIS Metric	Male	90° Elbow	SAE UNF	Male + O Ring

German Technology Equipment

**SHIELD FLEX**

New-Standard

- DME&JDE Code: **DAJSBM9305**
- Product Type: **Hydraulic adaptor**
- Standard: **JIS**
- Structure: **90° Elbow**
- Connection Type: **Adjustable Male x Male**
- Thread Types: **BSPP x UNF**
- Sealing Method: **O Rings**



PART NUMBER	F1 (Thread)	F2 (Thread)	D1	D2	L1	L2	S	S1
#	BSPP	UNF	mm	mm	mm	mm	mm	mm
DAJSBM9305-0404	1/4"-19	7/16"-20	4.00	4.37	28.00	30.50	14	17
DAJSBM9305-0406	1/4"-19	9/16"-18	4.00	7.54	28.00	31.80	14	19
DAJSBM9305-0604	3/8"-19	7/16"-20	8.50	4.37	29.00	31.50	16	17
DAJSBM9305-0606	3/8"-19	9/16"-18	8.50	7.54	29.00	33.30	16	19
DAJSBM9305-0608	3/8"-19	3/4"-16	8.50	9.93	32.00	37.50	19	24
DAJSBM9305-0806	1/2"-14	9/16"-18	9.30	7.54	38.00	37.00	22	19
DAJSBM9305-0808	1/2"-14	3/4"-16	9.30	9.93	38.00	40.00	22	24
DAJSBM9305-1210	3/4"-14	7/8"-14	16.00	12.29	43.00	47.00	27	27
DAJSBM9305-1212	3/4"-14	1-1/16"-12	16.00	15.47	43.00	51.00	27	32
DAJSBM9305-1612	1"-11	1-1/16"-12	20.00	15.47	48.50	54.50	33	32
DAJSBM9305-1616	1"-11	1-5/16"-12	20.00	21.44	48.50	54.50	33	41
DAJSBM9305-2016	1-1/4"-11	1-5/16"-12	28.00	21.44	57.00	59.50	41	41
DAJSBM9305-2020	1-1/4"-11	1-5/8"-12	28.00	27.38	57.00	59.50	41	50
DAJSBM9305-2420	1-1/2"-11	1-5/8"-12	34.00	27.38	61.00	63.00	48	50
DAJSBM9305-2424	1-1/2"-11	1-7/8"-12	34.00	33.32	61.00	63.00	48	55

Certificate:





## DAJSM9071

90° Elbow JIS Metric Male 60° Cone - Metric Swivel Female 60°

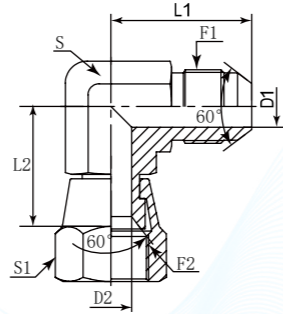
<b>D</b>	<b>A</b>	<b>JS</b>	<b>M</b>	<b>9</b>	<b>071</b>
Company	Product Range	Thread Types	Connection Type	Adaptor Structure	Connection Type
<b>DME</b>	Adaptor	JIS Metric	Male	90° Elbow	Metric Swivel Female

German Technology Equipment

**SHIELD FLEX**

New-Standard

- DME&JDE Code: **DAJSM9071**
- Product Type: **Hydraulic adaptor**
- Standard: **JIS**
- Structure: **90° Elbow**
- Connection Type: **Male x Swivel Female**
- Thread Types: **JIS Metric 60° Cone x Metric 60°**



PART NUMBER	F1 (Thread)	F2 (Thread)	D1	D2	L1	L2	S	S1	Cross Number
#	Metric	Metric	mm	mm	mm	mm	mm	mm	-
DAJSM9071-1414	M14X1.5	M14X1.5	5.00	4.00	29.00	22.50	14.00	19.00	2K9-14
DAJSM9071-1616	M16X1.5	M16X1.5	7.00	7.00	31.50	24.50	16.00	22.00	2K9-16
DAJSM9071-1818	M18X1.5	M18X1.5	8.50	8.50	33.80	27.30	19.00	24.00	2K9-18
DAJSM9071-2222	M22X1.5	M22X1.5	12.00	12.00	38.00	29.50	22.00	27.00	2K9-22
DAJSM9071-2424	M24X1.5	M24X1.5	15.00	12.50	41.50	32.00	27.00	32.00	2K9-24
DAJSM9071-3030	M30X1.5	M30X1.5	18.50	14.00	48.00	38.00	30.00	36.00	2K9-30
DAJSM9071-3333	M33X1.5	M33X1.5	20.00	18.50	55.00	45.50	33.00	41.00	2K9-33

## DAJSBM9041

90° Elbow JIS BSPP Male 60° Cone - BSPP Swivel Female 60°

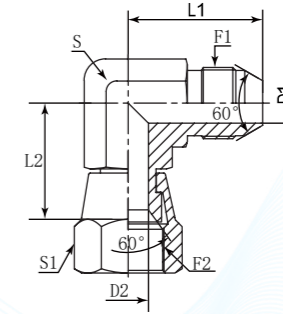
<b>D</b>	<b>A</b>	<b>JSB</b>	<b>M</b>	<b>9</b>	<b>041</b>
Company	Product Range	Thread Types	Connection Type	Adaptor Structure	Connection Type
<b>DME</b>	Adaptor	JIS BSPP	Male	90° Elbow	BSPP Swivel Female

German Technology Equipment

**SHIELD FLEX**

New-Standard

- DME&JDE Code: **DAJSBM9041**
- Product Type: **Hydraulic adaptor**
- Standard: **JIS**
- Structure: **90° Elbow**
- Connection Type: **Male x Swivel Female**
- Thread Types: **JIS BSPP 60° Cone x BSPP 60°**



PART NUMBER	F1 (Thread)	F2 (Thread)	D1	D2	L1	L2	S	S1
#	BSPP	BSPP	mm	mm	mm	mm	mm	mm
DAJSBM9041-0404	1/4"-19	1/4"-19	4.00	4.00	27.00	20.00	14	19
DAJSBM9041-0606	3/8"-19	3/8"-19	8.50	6.90	31.75	22.00	19	22
DAJSBM9041-0808	1/2"-14	1/2"-14	9.30	9.50	37.00	24.50	22	27
DAJSBM9041-1212	3/4"-14	3/4"-14	16.70	15.00	42.00	30.00	27	32
DAJSBM9041-1616	1"-11	1"-11	20.00	20.00	47.00	44.00	36	41
DAJSBM9041-2020	1-1/4"-11	1-1/4"-11	28.00	26.00	52.00	50.00	50	50
DAJSBM9041-2424	1-1/2"-11	1-1/2"-11	34.00	33.00	60.50	53.00	55	55
DAJSBM9041-3232	2"-11	2"-11	46.00	46.00	75.00	60.00	65	70



## DAJSMT52JM

Branch Tee Connector JIS Metric Male 60° - JIS Metric Male 60°

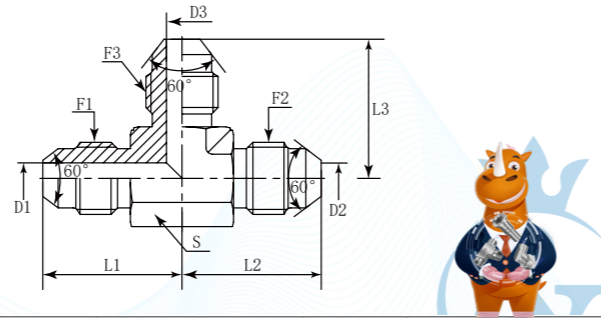
<b>D</b>	<b>A</b>	<b>JS</b>	<b>M</b>	<b>T</b>	<b>52J</b>	<b>M</b>
Company	Product Range	Thread Types	Connection Type	Adaptor Structure	Thread Types	Connection Type
<b>DME</b>	Adaptor	JIS Metric	Male	Branch Tee	JIS Metric	Male

German Technology Equipment

**SHIELD FLEX**

New-Standard

- DME&JDE Code: **DAJSMT52JM**
- Product Type: **Hydraulic adaptor**
- Standard: **JIS**
- Structure: **Branch Tee**
- Connection Type: **Male x Male x Male**
- Thread Types: **JIS Metric 60° x JIS Metric 60° x JIS Metric 60°**



PART NUMBER	F1 (Thread)	F2 (Thread)	F3 (Thread)	D1	D2	D3	L1	L2	L3	S
#	METRIC	METRIC	METRIC	mm	mm	mm	mm	mm	mm	mm
DAJSMT52JM-141420	M14X1.5	M14X1.5	M20X1.5	5.00	5.00	10.0	34.00	34.00	37.00	22
DAJSMT52JM-181818	M18X1.5	M18X1.5	M18X1.5	8.50	8.50	8.50	30.80	30.80	30.80	19
DAJSMT52JM-222222	M22X1.5	M22X1.5	M22X1.5	12.00	12.00	12.0	35.50	35.50	35.50	22
DAJSMT52JM-242424	M24X1.5	M24X1.5	M24X1.5	15.00	15.0	15.0	39.50	39.50	39.50	27
DAJSMT52JM-303030	M30X1.5	M30X1.5	M30X1.5	18.00	18.0	18.0	46.00	46.00	46.00	33

## DAJSMT071

Branch Tee JIS Metric Male 60° Cone - Metric Swivel Female 60°

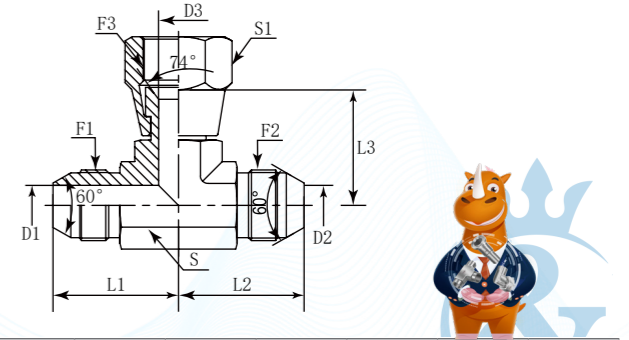
<b>D</b>	<b>A</b>	<b>JS</b>	<b>M</b>	<b>T</b>	<b>071</b>
Company	Product Range	Thread Types	Connection Type	Adaptor Structure	Connection Type
<b>DME</b>	Adaptor	JIS Metric	Male	Branch Tee	Metric Swivel Female

German Technology Equipment

**SHIELD FLEX**

New-Standard

- DME&JDE Code: **DAJSMT071**
- Product Type: **Hydraulic adaptor**
- Standard: **JIS**
- Structure: **Branch Tee**
- Connection Type: **Male x Male x Swivel Female**
- Thread Types: **JIS Metric 60° Cone x JIS Metric 60° Cone x Metric 60°**



PART NUMBER	F1 (Thread)	F2 (Thread)	F3 (Thread)	D1	D2	D3	L1	L2	L3	S	S1
#	METRIC	METRIC	METRIC	mm	mm	mm	mm	mm	mm	mm	mm
DAJSMT071-1414	M14X1.5	M14X1.5	M14X1.5	6.00	6.00	4.00	27.00	27.00	19.50	17	19
DAJSMT071-1818	M18X1.5	M18X1.5	M18X1.5	8.50	8.50	8.50	30.80	30.80	24.30	19	24
DAJSMT071-2222	M22X1.5	M22X1.5	M22X1.5	12.00	12.00	9.50	35.50	35.50	27.00	22	27
DAJSMT071-2424	M24X1.5	M24X1.5	M24X1.5	15.00	15.00	12.50	39.50	39.50	29.50	27	32
DAJSMT071-3030	M30X1.5	M30X1.5	M30X1.5	18.00	18.00	18.00	46.00	46.00	35.60	33	36



### DAJSML071

Run Tee JIS Metric Male 60° Cone - Metric Swivel Female 60°

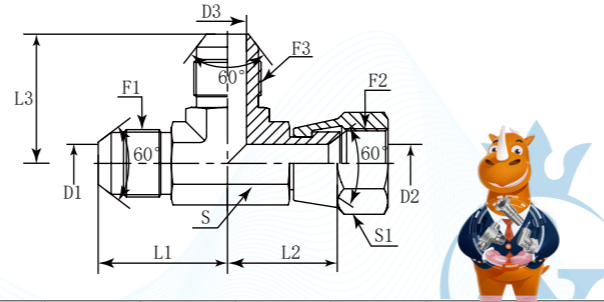
<b>D</b>	<b>A</b>	<b>JS</b>	<b>M</b>	<b>L</b>	<b>071</b>
Company	Product Range	Thread Types	Connection Type	Adaptor Structure	Connection Type
<b>DME</b>	Adaptor	JIS Metric	Male	Run Tee	Metric Swivel Female

German Technology Equipment

**SHIELD FLEX**

New-Standard

- DME&JDE Code: **DAJSML071**
- Product Type: **Hydraulic adaptor**
- Standard: **JIS**
- Structure: **Run Tee**
- Connection Type: **Male x Swivel Female x Male**
- Thread Types: **JIS Metric 60° Cone x Metric 60° x JIS Metric 60° Cone**



PART NUMBER	F1 (Thread)	F2 (Thread)	F3 (Thread)	D1	D2	D3	L1	L2	L3	S	S1
#	METRIC	METRIC	METRIC	mm	mm	mm	mm	mm	mm	mm	mm
DAJSML071-1414	M14X1.5	M14X1.5	M14X1.5	6.00	4.00	6.00	27.00	19.50	27.00	17	19
DAJSML071-1818	M18X1.5	M18X1.5	M18X1.5	8.50	8.50	8.50	30.80	24.30	30.80	19	24
DAJSML071-2222	M22X1.5	M22X1.5	M22X1.5	12.00	9.50	12.00	35.50	27.00	35.50	22	27
DAJSML071-2424	M24X1.5	M24X1.5	M24X1.5	15.00	12.50	15.00	39.50	29.50	39.50	27	32
DAJSML071-3030	M30X1.5	M30X1.5	M30X1.5	18.00	18.00	18.00	46.00	35.60	46.00	33	36

### DAJSBML041

Run Tees JIS BSPP Female 60° Cone - BSPP Male 60°

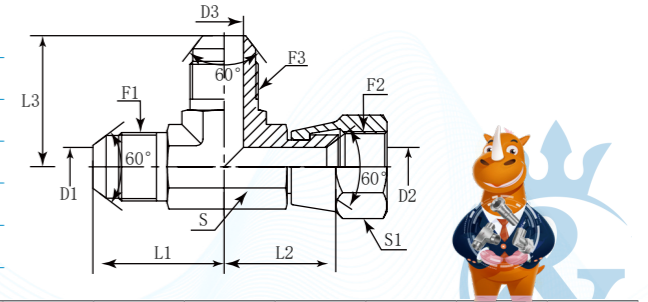
<b>D</b>	<b>A</b>	<b>JSB</b>	<b>M</b>	<b>L</b>	<b>041</b>
Company	Product Range	Thread Types	Connection Type	Adaptor Structure	Connection Type
<b>DME</b>	Adaptor	JIS BSPP	Male	Run Tee	BSPP Swivel Female

German Technology Equipment

**SHIELD FLEX**

New-Standard

- DME&JDE Code: **DAJSBML041**
- Product Type: **Hydraulic adaptor**
- Standard: **JIS**
- Structure: **Run Tee**
- Connection Type: **Female x Male x Female**
- Thread Types: **JIS BSPP 60° Cone x BSPP 60° x JIS BSPP 60° Cone**



PART NUMBER	F1 (Thread)	F2 (Thread)	F3 (Thread)	D1	D2	D3	L1	L2	L3	S	S1
#	BSPP	BSPP	BSPP	mm	mm	mm	mm	mm	mm	mm	mm
DAJSBML041-0404	1/4"-19	1/4"-19	1/4"-19	5.00	4.00	5.00	26.90	20.50	26.90	14	19
DAJSBML041-0606	3/8"-19	3/8"-19	3/8"-19	7.00	7.00	7.00	31.50	24.50	31.50	19	22
DAJSBML041-0808	1/2"-14	1/2"-14	1/2"-14	11.00	10.00	11.00	38.00	26.50	38.00	22	27
DAJSBML041-1212	3/4"-14	3/4"-14	3/4"-14	16.00	15.00	16.00	42.20	30.20	42.20	27	32
DAJSBML041-1616	1"-11	1"-11	1"-11	22.20	22.20	22.20	47.00	44.00	47.00	33	41
DAJSBML041-2020	1-1/4"-11	1-1/4"-11	1-1/4"-11	28.60	26.00	28.60	52.30	50.00	52.30	41	50
DAJSBML041-2424	1-1/2"-11	1-1/2"-11	1-1/2"-11	33.30	33.30	33.30	60.50	53.30	60.50	48	55
DAJSBML041-3232	2"-11	2"-11	2"-11	46.00	46.00	46.00	75.00	60.00	75.00	65	70







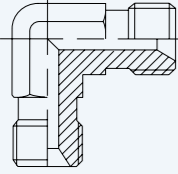
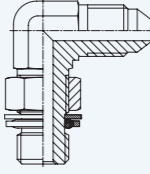
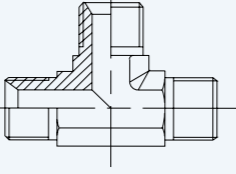
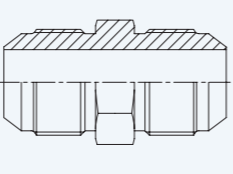
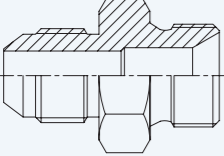
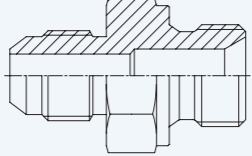
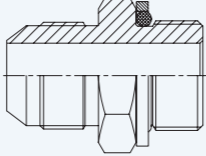
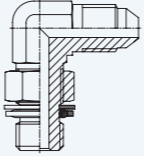
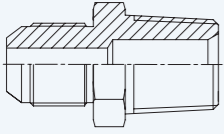
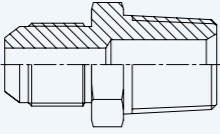
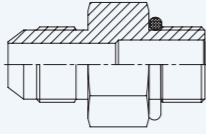
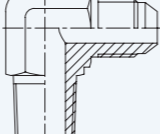
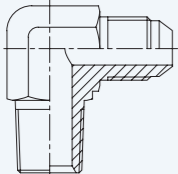
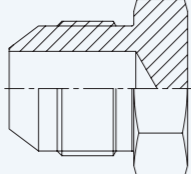
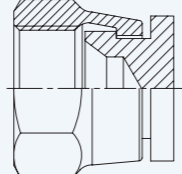
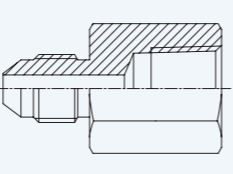
# Hydraulic Adaptors

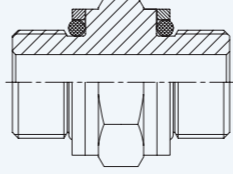
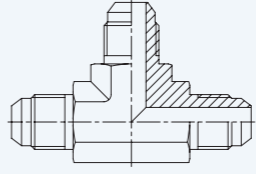
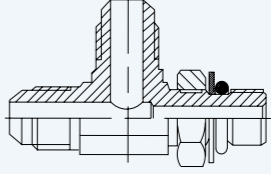
# Metric >>



<p><b>DAMM152M</b> P691</p> <p>Straight Connector Metric Male 60° Cone - Metric Male 60° Cone</p>	<p><b>DAMM1061</b> P692</p> <p>Straight Connector Metric Male 60° Cone - BSPP Male Gaptive Seal</p>	<p><b>DAMM128M</b> P693</p> <p>Straight Connector Metric Male 60° Cone - NPTF Male 60°</p>	<p><b>DAMM1021</b> P694</p> <p>Straight Connector Metric Male 60° Cone - Metric Female 60° Cone</p>
<p><b>DAMM1081</b> P695</p> <p>Straight Connector Metric Male 60° Cone - BSPP Female 60° Cone</p>	<p><b>DAMM1251</b> P696</p> <p>Straight Connector Metric Male 60° Cone - JIC Female 74° Cone</p>	<p><b>DAMM107M</b> P697</p> <p>Straight Connector Metric Male 60° - BSPT Male 60°</p>	<p><b>DAMM107M-LH</b> P698</p> <p>Straight Connector Metric Male 60° - BSPT Male 60° Large Hexagon</p>
<p><b>DAJMM152M</b> P699</p> <p>Metric Male 74° Cone - Metric Male Bonded Seal Type</p>	<p><b>DAJMM128M</b> P700</p> <p>Metric Male 74° Cone -NPTF Male</p>	<p><b>DAMM1000</b> P701</p> <p>Male Plug Metric Male 60°</p>	<p><b>DAMM152F</b> P702</p> <p>Straight Connector Metric Male 60°Cone - Metric Fixed Female</p>
<p><b>DAMM128F</b> P703</p> <p>Straight Connector Metric Male 60° Cone - NPTF Fixed Female</p>	<p><b>DAMM105F</b> P705</p> <p>Straight Connector Metric Male 60° Cone - BSPP Fixed Female</p>	<p><b>DAMF1305</b> P706</p> <p>Straight Connector Metric Female - SAE Male O Ring</p>	<p><b>DAMF152F</b> P707</p> <p>Straight Connector Metric Fixed Female</p>

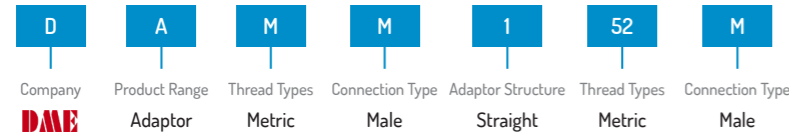


<p><b>DAMM952M</b> P708</p>  <p>90° Elbow Metric Male 60° Cone - Metric Male 60° Cone</p>	<p><b>DAJCMM906Q</b> P709</p>  <p>90° Adjustable Elbow Metric Male 74° Cone - BSPP Male + O Ring + Retaining Ring</p>	<p><b>DAMMT52M</b> P710</p>  <p>Branch Tee Connector Metric 60° Male - Metric 60° Male</p>	<p><b>DAJCMM152JCM</b> P711</p>  <p>Straight Connector Metric Male 74° Cone</p>
<p><b>DAJCMM105M</b> P712</p>  <p>Straight Connector Metric Male 74° Cone - BSPP Male 60°</p>	<p><b>DAJCMM152M</b> P713</p>  <p>Straight Connector Metric Male 74° Cone - Metric Male 60° Cone</p>	<p><b>DAJCMM106Q</b> P714</p>  <p>Straight Connector Metric Male 74° Cone - BSPP Male + O Ring</p>	<p><b>DAJCMM952Q</b> P715</p>  <p>90° Elbow Metric Male 74° Cone - Metric Male + O Ring + Retaining Ring</p>
<p><b>DAJCMM107M</b> P716</p>  <p>Straight Connector Metric Male 74° Cone - BSPT Male</p>	<p><b>DAJCMM128M</b> P717</p>  <p>Straight Connector Metric Male 74° Cone - NPTF Male</p>	<p><b>DAJCMM1305</b> P718</p>  <p>Straight Connector Metric Male 74° Cone - SAE Male O Ring</p>	<p><b>DAJCMM907M</b> P719</p>  <p>90° Elbow Metric Male 74° Cone - BSPT Male</p>
<p><b>DAJCMM928M</b> P720</p>  <p>90° Elbow Metric Male 74° Cone - NPTF Male</p>	<p><b>DAJCMM1000</b> P721</p>  <p>Metric Male 74° Cone Plug</p>	<p><b>DAJCMM31000</b> P722</p>  <p>Metric Female 74° Cone Plug</p>	<p><b>DAJCMM128F</b> P723</p>  <p>Straight Connector Metric Male 74° Cone - NPTF Female</p>

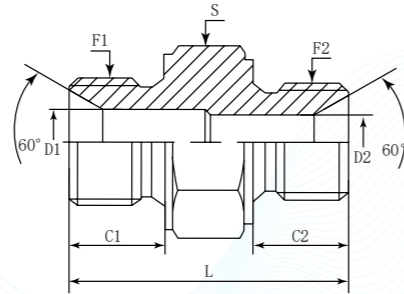
<p><b>DAMM0152M0</b> P724</p>  <p>Straight Connector Metric Male L + O Ring</p>	<p><b>DAJCMMT52JCM</b> P725</p>  <p>Branch Tee Metric Male 74° - Metric Male 74°</p>	<p><b>DAJMML065</b> P726</p>  <p>Run Tee Connector Metric Male 84° Cone - Adjustable BSPP Male O Ring</p>
--	---	--

## DAMM152M

Straight Connector Metric Male 60° Cone - Metric Male 60° Cone



- DME&JDE Code: **DAMM152M**
- Product Type: **Hydraulic adaptor**
- Standard: **Metric**
- Structure: **Straight**
- Connection Type: **Male x Male**
- Thread Types: **Metric 60° Cone x Metric 60° Cone**

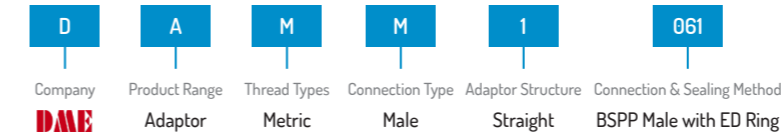


Filter the F1 Thread through selecting the -XX options								
PART NUMBER	F1 (Thread)	F2 (Thread)	C1	C2	D1	D2	L	S
#	Metric	Metric	mm	mm	mm	mm	mm	mm
DAMM152M-0808	M8X1	M8X1	8.00	8.00	3.00	3.00	24.00	14.00
DAMM152M-1008	M10X1	M8X1	8.00	8.00	3.00	3.00	25.00	14.00
DAMM152M-1010	M10X1	M10X1	8.00	8.00	3.50	3.50	25.00	14.00
DAMM152M-1210	M12X1.5	M10X1	10.00	8.00	4.00	4.00	27.00	17.00
DAMM152M-1212	M12X1.5	M12X1.5	10.00	10.00	5.00	5.00	29.00	17.00
DAMM152M-1412	M14X1.5	M12X1.5	12.00	10.00	5.00	5.00	33.00	19.00
DAMM152M-1414	M14X1.5	M14X1.5	11.00	11.00	6.00	6.00	34.00	19.00
DAMM152M-1612	M16X1.5	M12X1.5	12.00	10.00	8.00	5.00	34.00	22.00
DAMM152M-1614	M16X1.5	M14X1.5	12.00	12.00	6.00	6.00	35.00	22.00
DAMM152M-1616	M16X1.5	M16X1.5	12.00	12.00	8.00	8.00	36.00	22.00
DAMM152M-1812	M18X1.5	M12X1.5	12.00	10.00	10.00	5.00	34.00	24.00
DAMM152M-1816	M18X1.5	M16X1.5	12.00	12.00	8.00	8.00	36.00	24.00
DAMM152M-1818	M18X1.5	M18X1.5	12.00	12.00	10.00	10.00	36.00	24.00
DAMM152M-2018	M20X1.5	M18X1.5	14.00	12.00	10.00	10.00	38.00	27.00
DAMM152M-2020	M20X1.5	M20X1.5	14.00	14.00	12.00	12.00	41.00	27.00
DAMM152M-2216	M22X1.5	M16X1.5	14.00	12.00	14.10	8.00	39.50	27.00
DAMM152M-2218	M22X1.5	M18X1.5	14.00	12.00	14.10	10.00	39.50	27.00
DAMM152M-2222	M22X1.5	M22X1.5	14.00	14.00	14.10	14.10	41.50	27.00
DAMM152M-2420	M24X1.5	M20X1.5	14.00	14.00	15.00	12.00	43.00	30.00
DAMM152M-2422	M24X1.5	M22X1.5	14.00	14.00	14.10	14.10	43.00	30.00
DAMM152M-2424	M24X1.5	M24X1.5	14.00	14.00	15.00	15.00	43.00	30.00
DAMM152M-2618	M26X1.5	M18X1.5	16.00	12.00	15.00	10.00	43.00	32.00
DAMM152M-2622	M26X1.5	M22X1.5	16.00	14.00	14.10	14.10	45.00	32.00
DAMM152M-2626	M26X1.5	M26X1.5	16.00	16.00	15.00	15.00	47.00	32.00
DAMM152M-3030	M30X2	M30X2	18.00	18.00	19.50	19.50	49.00	36.00

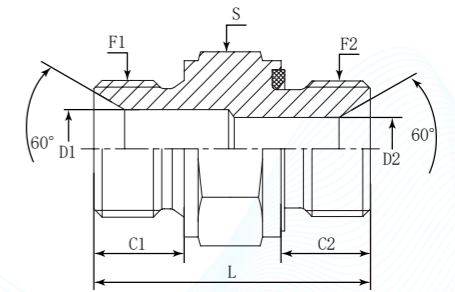


## DAMM1061

Straight Connector Metric Male 60° Cone - BSPP Male Gaptive Seal



- DME&JDE Code: **DAMM1061**
- Product Type: **Hydraulic adaptor**
- Standard: **Metric**
- Structure: **Straight**
- Connection Type: **Male x Male**
- Thread Types: **Metric 60° Cone x BSPP**



PART NUMBER	F1 (Thread)	F2 (Thread)	C1	C2	D1	D2	L	S
#	METRIC	BSPP	mm	mm	mm	mm	mm	mm
DAMM1061-1204	M12X1.5	1/4"-19	10.00	12.00	4.00	6.00	32.00	19
DAMM1061-1404	M14X1.5	1/4"-19	11.00	12.00	6.00	6.00	33.00	19
DAMM1061-1406	M14X1.5	3/8"-19	12.00	12.00	6.00	7.90	35.00	22
DAMM1061-1604	M16X1.5	1/4"-19	11.00	12.00	8.00	6.00	34.50	22
DAMM1061-1606	M16X1.5	3/8"-19	12.00	12.00	8.00	7.90	35.50	22
DAMM1061-1608	M16X1.5	1/2"-14	12.00	12.00	8.00	12.00	35.50	24
DAMM1061-1806	M18X1.5	3/8"-19	14.00	12.00	10.00	7.90	39.50	27
DAMM1061-1808	M18X1.5	1/2"-14	12.00	14.00	10.00	12.00	40.00	27
DAMM1061-2008	M20X1.5	1/2"-14	12.00	14.00	12.00	12.00	40.00	27
DAMM1061-2206	M22X1.5	3/8"-19	14.00	14.00	14.10	7.90	42.00	27
DAMM1061-2208	M22X1.5	1/2"-14	14.00	14.00	14.10	12.00	42.00	27
DAMM1061-2212	M22X1.5	3/4"-14	16.00	14.00	14.10	16.70	45.00	32
DAMM1061-2412	M24X1.5	3/4"-14	14.00	16.00	15.00	16.70	45.00	32
DAMM1061-2608	M26X1.5	1/2"-14	14.00	16.00	15.00	12.00	45.00	32
DAMM1061-2612	M26X1.5	3/4"-14	16.00	16.00	15.00	16.70	47.00	32
DAMM1061-3012	M30X1.5	3/4"-14	18.00	16.00	19.00	16.70	49.00	36
DAMM1061-3016	M30X1.5	1"-11	18.00	18.00	19.00	22.20	53.00	41
DAMM1061-3316	M33X1.5	1"-11	19.00	18.00	21.50	22.20	54.00	41





## DAMM128M

Straight Connector Metric Male 60° Cone - NPTF Male 60°

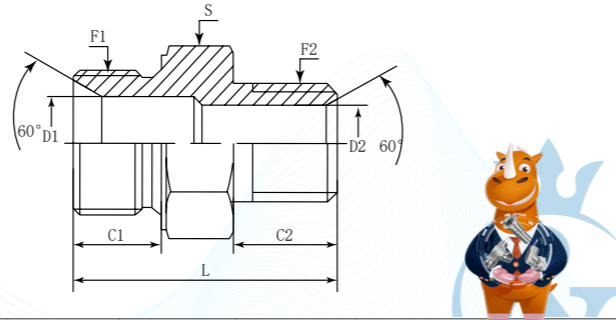
<b>D</b>	<b>A</b>	<b>M</b>	<b>M</b>	<b>1</b>	<b>28</b>	<b>M</b>
Company	Product Range	Thread Types	Connection Type	Adaptor Structure	Thread Types	Connection Type
<b>DME</b>	Adaptor	Metric	Male	Straight	NPTF	Male

German Technology Equipment

**SHIELD FLEX**

New-Standard

- DME&JDE Code: **DAMM128M**
- Product Type: **Hydraulic adaptor**
- Standard: **Metric**
- Structure: **Straight**
- Connection Type: **Male x Male**
- Thread Types: **Metric 60° Cone x NPTF 60°**



PART NUMBER	F1 (Thread)	F2 (Thread)	C	L	D1	D2	S	S1
#	Metric	NPTF	mm	mm	mm	mm	mm	mm
DAMM128M-0804	M8X1	1/4"-18	8.00	14.22	3.00	7.14	30.00	15.88
DAMM128M-1204	M12X1.5	1/4"-18	10.00	14.22	6.00	7.14	32.00	17.00
DAMM128M-1206	M12X1.5	3/8"-18	10.00	14.22	6.00	10.31	33.00	19.00
DAMM128M-1208	M12X1.5	1/2"-14	10.00	19.05	6.00	13.49	39.00	22.00
DAMM128M-1808	M18X1.5	1/2"-14	12.00	19.05	10.00	13.49	41.00	24.00

## DAMM1021

Straight Connector Metric Male 60° Cone - Metric Female 60° Cone

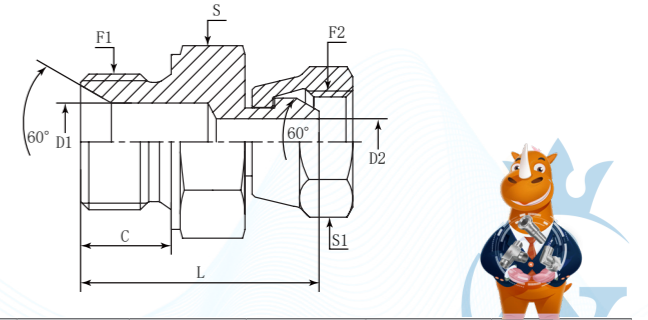
<b>D</b>	<b>A</b>	<b>M</b>	<b>M</b>	<b>1</b>	<b>021</b>
Company	Product Range	Thread Types	Connection Type	Adaptor Structure	Connection Type
<b>DME</b>	Adaptor	Metric	Male	Straight	Metric Swivel Female 60° Cone

German Technology Equipment

**SHIELD FLEX**

New-Standard

- DME&JDE Code: **DAMM1021**
- Product Type: **Hydraulic adaptor**
- Standard: **Metric**
- Structure: **Straight**
- Connection Type: **Male x Female**
- Thread Types: **Metric 60° Cone x Metric 60° Cone**



PART NUMBER	F1 (Thread)	F2 (Thread)	C	D1	D2	L	S	S1
#	METRIC	METRIC	mm	mm	mm	mm	mm	mm
DAMM1021-1212	M12X1.5	M12X1.5	10.00	4.00	4.00	28.00	17	17
DAMM1021-1414	M14X1.5	M14X1.5	11.00	6.00	4.70	29.50	19	19
DAMM1021-1616	M16X1.5	M16X1.5	12.00	8.00	6.00	32.00	22	22
DAMM1021-1618	M16X1.5	M18X1.5	12.00	8.00	8.00	33.00	22	24
DAMM1021-1816	M18X1.5	M16X1.5	12.00	10.00	6.00	33.00	24	24
DAMM1021-1818	M18X1.5	M18X1.5	12.00	10.00	8.00	32.00	24	22
DAMM1021-1820	M18X1.5	M20X1.5	12.00	10.00	10.00	34.50	24	27
DAMM1021-1822	M18X1.5	M22X1.5	12.00	10.00	11.00	35.00	24	27
DAMM1021-2018	M20X1.5	M18X1.5	14.00	12.00	8.00	38.50	27	27
DAMM1021-2020	M20X1.5	M20X1.5	14.00	12.00	10.00	37.00	27	24
DAMM1021-2022	M20X1.5	M22X1.5	14.00	12.00	11.00	39.00	27	27
DAMM1021-2218	M22X1.5	M18X1.5	14.00	14.10	8.00	39.00	27	27
DAMM1021-2220	M22X1.5	M20X1.5	14.00	14.10	10.00	37.00	27	24
DAMM1021-2222	M22X1.5	M22X1.5	14.00	14.10	11.00	38.50	27	27
DAMM1021-2727	M27X2	M27X2	16.00	15.00	15.00	42.50	32	32
DAMM1021-3030	M30X2	M30X2	18.00	19.00	19.00	46.50	36	36



## DAMM1081

Straight Connector Metric Male 60° Cone - BSPP Female 60° Cone

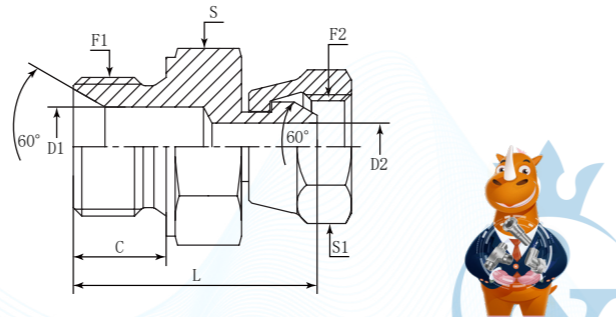
<b>D</b>	<b>A</b>	<b>M</b>	<b>M</b>	<b>1</b>	<b>081</b>
Company	Product Range	Thread Types	Connection Type	Adaptor Structure	Connection Type
<b>DME</b>	Adaptor	Metric	Male	Straight	BSPP Swivel Female

German Technology Equipment

**SHIELD FLEX**

New-Standard

- DME&JDE Code: **DAMM1081**
- Product Type: **Hydraulic adaptor**
- Standard: **Metric**
- Structure: **Straight**
- Connection Type: **Male x Female**
- Thread Types: **Metric 60° Cone x BSPP 60° Cone**



PART NUMBER	F1 (Thread)	F2 (Thread)	C	D1	D2	L	S	S1
#	METRIC	BSPP	mm	mm	mm	mm	mm	mm
DAMM1081-1204	M12X1.5	1/4"-19	10.00	4.00	4.00	28.00	17	19
DAMM1081-1404	M14X1.5	1/4"-19	11.00	6.00	4.70	29.00	19	19
DAMM1081-1406	M14X1.5	3/8"-19	11.00	6.00	7.10	30.20	19	22
DAMM1081-1408	M14X1.5	1/2"-14	11.00	6.00	11.10	32.00	19	27
DAMM1081-1604	M16X1.5	1/4"-19	12.00	8.00	4.70	32.00	22	19
DAMM1081-1606	M16X1.5	3/8"-19	12.00	8.00	7.10	33.20	22	22
DAMM1081-1608	M16X1.5	1/2"-14	12.00	8.00	11.10	35.00	22	27
DAMM1081-1612	M16X1.5	3/4"-14	12.00	8.00	16.70	38.10	27	32
DAMM1081-1806	M18X1.5	3/8"-19	12.00	10.00	7.10	33.20	24	22
DAMM1081-1808	M18X1.5	1/2"-14	12.00	10.00	11.10	35.00	24	27
DAMM1081-2006	M20X1.5	3/8"-19	14.00	12.00	7.10	37.20	27	22
DAMM1081-2008	M20X1.5	1/2"-14	14.00	12.00	11.10	39.00	27	27
DAMM1081-2012	M20X1.5	3/4"-14	14.00	12.00	16.70	40.10	27	32
DAMM1081-2206	M22X1.5	3/8"-19	14.00	14.10	7.10	37.20	27	22
DAMM1081-2208	M22X1.5	1/2"-14	14.00	14.10	11.10	39.00	27	27
DAMM1081-2212	M22X1.5	3/4"-14	14.00	14.10	16.70	40.10	27	32
DAMM1081-2606	M26X1.5	3/8"-19	16.00	15.00	7.10	40.20	32	22
DAMM1081-2608	M26X1.5	1/2"-14	16.00	15.00	11.10	42.00	32	27
DAMM1081-2612	M26X1.5	3/4"-14	16.00	15.00	16.70	43.10	32	32
DAMM1081-3006	M30X2	3/8"-19	18.00	19.00	7.10	42.20	36	22
DAMM1081-3008	M30X2	1/2"-14	18.00	19.00	11.10	44.00	36	27

## DAMM1251

Straight Connector Metric Male 60° Cone - JIC Female 74° Cone

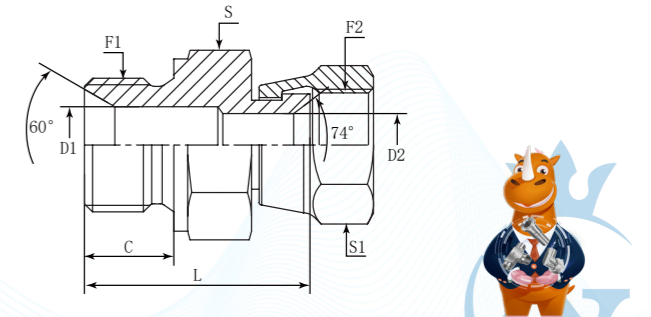
<b>D</b>	<b>A</b>	<b>M</b>	<b>M</b>	<b>1</b>	<b>251</b>
Company	Product Range	Thread Types	Connection Type	Adaptor Structure	Connection Type
<b>DME</b>	Adaptor	Metric	Male	Straight	JIC Swivel Female

German Technology Equipment

**SHIELD FLEX**

New-Standard

- DME&JDE Code: **DAMM1251**
- Product Type: **Hydraulic adaptor**
- Standard: **Metric**
- Structure: **Straight**
- Connection Type: **Male x Female**
- Thread Types: **Metric 60° Cone x UNF 74° Cone**



PART NUMBER	F1 (Thread)	F2 (Thread)	C	D1	D2	L	S	S1
#	METRIC	UNF	mm	mm	mm	mm	mm	mm
DAMM1251-1004	M10X1	7/16"-20	8.00	4.00	4.37	22.00	14	17
DAMM1251-1205	M12X1.5	1/2"-20	10.00	4.00	5.94	24.50	17	17
DAMM1251-1406	M14X1.5	9/16"-18	11.00	6.00	7.54	25.50	19	19
DAMM1251-1608	M16X1.5	3/4"-16	12.00	8.00	9.93	30.50	22	24
DAMM1251-1808	M18X1.5	3/4"-16	12.00	10.00	9.93	30.50	24	24
DAMM1251-1810	M18X1.5	7/8"-14	12.00	10.00	12.29	31.00	24	27
DAMM1251-2210	M22X1.5	7/8"-14	14.00	14.10	12.29	35.00	27	27
DAMM1251-2712	M27X1.5	1-1/16"-12	16.00	15.00	15.47	39.50	32	32
DAMM1251-3016	M30X1.5	1-5/16"-12	18.00	21.50	21.44	41.50	36	41
DAMM1251-4520	M45X1.5	1-5/8"-12	20.00	30.00	27.38	49.00	55	50
DAMM1251-5224	M52X1.5	1-7/8"-12	20.00	38.00	33.32	49.50	60	55



## DAMM107M

Straight Connector Metric Male 60° - BSPT Male 60°

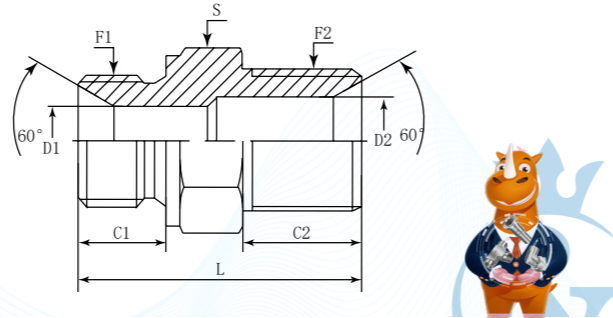
<b>D</b>	<b>A</b>	<b>M</b>	<b>M</b>	<b>1</b>	<b>07</b>	<b>M</b>
Company	Product Range	Thread Types	Connection Type	Adaptor Structure	Thread Types	Connection Type
<b>DME</b>	Adaptor	Metric	Male	Straight	BSPT	Male

German Technology Equipment

**SHIELD FLEX**

New-Standard

- DME&JDE Code: **DAMM107M**
- Product Type: **Hydraulic adaptor**
- Standard: **Metric**
- Structure: **Straight**
- Connection Type: **Male x Male**
- Thread Types: **Metric 60° x BSPT 60°**



PART NUMBER	F1 (Thread)	F2 (Thread)	C1	C2	D1	D2	L	S
#	Metric	BSPT	mm	mm	mm	mm	mm	mm
DAMM107M-1002	M10X1	1/8"-28	8.00	10.00	4.00	4.00	26.00	14.00
DAMM107M-1404	M14X1.5	1/4"-19	10.00	14.00	6.00	6.00	31.00	14.00
DAMM107M-1604	M16X1.5	1/4"-19	11.00	14.00	7.00	7.00	32.00	17.00
DAMM107M-1804	M18X1.5	1/4"-19	11.00	14.00	10.00	7.00	33.00	19.00
DAMM107M-1806	M18X1.5	3/8"-19	11.00	15.00	10.00	10.00	34.00	19.00
DAMM107M-1808	M18X1.5	1/2"-14	12.00	19.00	10.00	13.00	41.50	24.00
DAMM107M-2204	M22X1.5	1/4"-19	14.00	14.00	14.10	7.00	36.00	24.00
DAMM107M-2206	M22X1.5	3/8"-19	14.00	15.00	14.10	10.00	41.00	27.00
DAMM107M-2208	M22X1.5	1/2"-14	18.00	19.00	14.10	13.00	41.00	24.00
DAMM107M-2608	M26X1.5	1/2"-14	16.00	19.00	15.00	13.00	40.00	27.00
DAMM107M-2612	M26X1.5	3/4"-14	12.00	20.00	15.00	15.00	41.00	27.00
DAMM107M-3012	M30X1.5	3/4"-14	14.00	20.00	18.00	18.00	43.00	32.00

## DAMM107M-LH

Straight Connector Metric Male 60° - BSPT Male 60° Large Hexagon

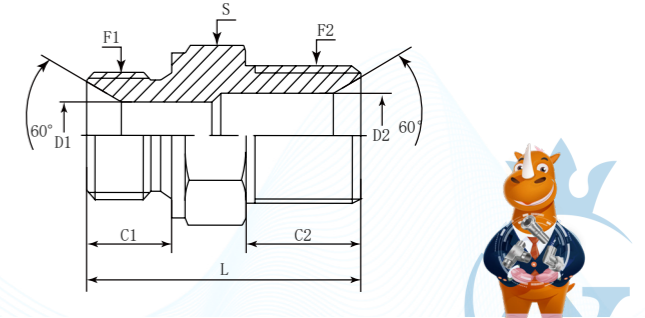
<b>D</b>	<b>A</b>	<b>M</b>	<b>M</b>	<b>1</b>	<b>07</b>	<b>M</b>	<b>H</b>
Company	Product Range	Thread Types	Connection Type	Adaptor Structure	Thread Types	Connection Type	Nut Type
<b>DME</b>	Adaptor	Metric	Male	Straight	BSPT	Straight	Large Hexagon

German Technology Equipment

**SHIELD FLEX**

New-Standard

- DME&JDE Code: **DAMM107M-LH**
- Product Type: **Hydraulic adaptor**
- Standard: **Metric**
- Structure: **Straight**
- Connection Type: **Male x Male**
- Thread Types: **Metric 60° x BSPT 60° + Large Hexagon**
- Other Features: **Hexagon**



PART NUMBER	F1 (Thread)	F2 (Thread)	C1	C2	D1	D2	L	S
#	Metric	BSPT	mm	mm	mm	mm	mm	mm
DAMM107M-LH-1404	M14X1.5	1/4"-19	12.00	14.00	6.00	6.00	32.00	17.00
DAMM107M-LH-1606	M16X1.5	3/8"-19	12.00	15.00	8.00	8.00	37.00	22.00
DAMM107M-LH-2008	M20X1.5	1/2"-14	14.00	19.00	12.00	12.00	23.50	27.00
DAMM107M-LH-2208	M22X1.5	1/2"-14	14.00	19.00	14.10	13.00	45.00	27.00
DAMM107M-LH-2412	M24X1.5	3/4"-14	14.00	20.00	15.00	16.70	45.00	30.00
DAMM107M-LH-2616	M26X1.5	1"-11	16.00	24.00	15.00	22.20	50.00	32.00
DAMM107M-LH-3016	M30X2	1"-11	18.00	24.00	19.50	22.20	53.00	36.00
DAMM107M-LH-3316	M33X2	1"-11	18.00	24.00	21.50	21.50	54.00	41.00
DAMM107M-LH-3616	M36X2	1"-11	18.00	24.00	25.00	22.40	55.00	46.00





## DAJMM152M

Metric Male 74° Cone - Metric Male Bonded Seal Type

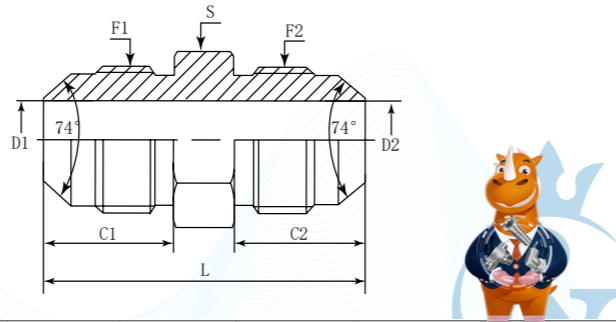
<b>D</b>	<b>A</b>	<b>JM</b>	<b>M</b>	<b>1</b>	<b>52</b>	<b>M</b>
Company	Product Range	Thread Types	Connection Type	Adaptor Structure	Thread Types	Connection Type
<b>DME</b>	Adaptor	Metric 74°	Male	Straight	Metric	Male

German Technology Equipment

**SHIELD FLEX**

New-Standard

- DME&JDE Code: **DAJMM152M**
- Product Type: **Hydraulic adaptor**
- Standard: **Metric**
- Structure: **Straight**
- Connection Type: **Male x Male**
- Thread Types: **Metric 74° Cone x Metric Bonded Seal Type**



PART NUMBER	F1 (Thread)	F2 (Thread)	C1	C2	D1	D2	L	S
#	Metric	Metric	mm	mm	mm	mm	mm	mm
DAJMM152M-1414	M14X1.5	M14X1.5	17.00	17.00	5.00	5.00	40.00	17.00
DAJMM152M-1616	M16X1.5	M16X1.5	18.00	18.00	7.00	7.00	42.00	17.00
DAJMM152M-1818	M18X1.5	M18X1.5	18.00	18.00	8.50	8.50	42.00	19.00
DAJMM152M-2222	M22X1.5	M22X1.5	20.00	20.00	12.00	12.00	48.00	24.00



## DAJMM128M

Metric Male 74° Cone -NPTF Male

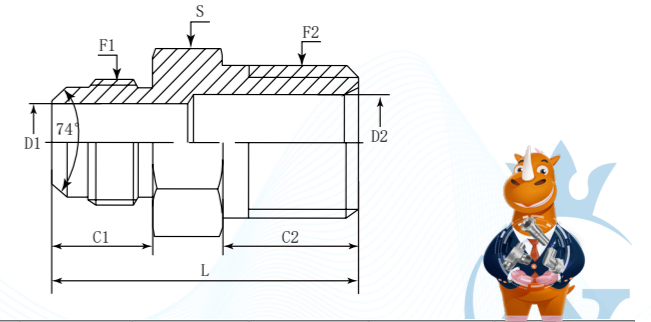
<b>D</b>	<b>A</b>	<b>JM</b>	<b>M</b>	<b>1</b>	<b>28</b>	<b>M</b>
Company	Product Range	Thread Types	Connection Type	Adaptor Structure	Thread Types	Connection Type
<b>DME</b>	Adaptor	Metric 74°	Male	Straight	NPTF	Male

German Technology Equipment

**SHIELD FLEX**

New-Standard

- DME&JDE Code: **DAJMM128M**
- Product Type: **Hydraulic adaptor**
- Standard: **Metric**
- Structure: **Straight**
- Connection Type: **Male x Male**
- Thread Types: **Metric 74° Cone x NPTF**



PART NUMBER	F1 (Thread)	F2 (Thread)	C1	C2	D1	D2	L	S
#	Metric	NPTF	mm	mm	mm	mm	mm	mm
DAJMM128M-1606	M16X1.5	3/8"-18	18.00	14.22	7.00	10.31	40.00	19.00
DAJMM128M-1806	M18X1.5	3/8"-18	18.00	14.22	8.50	10.31	40.00	19.00
DAJMM128M-2206	M22X1.5	3/8"-18	20.00	14.22	12.00	10.31	42.20	24.00
DAJMM128M-3012	M30X1.5	3/4"-14	26.00	19.05	18.50	18.26	56.00	32.00



## DAMM1000

Male Plug Metric Male 60°

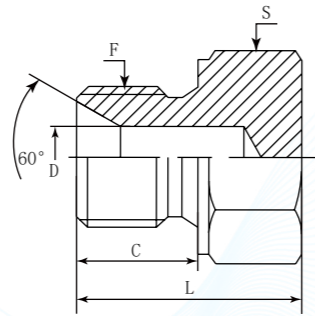
<b>D</b>	<b>A</b>	<b>M</b>	<b>M</b>	<b>1</b>	<b>000</b>
Company	Product Range	Thread Types	Connection Type	Adaptor Structure	Other Features
<b>DME</b>	Adaptor	Metric	Male	Straight	Nut/Plug

German Technology Equipment

**SHIELD FLEX**

New-Standard

- DME&JDE Code: **DAMM1000**
- Product Type: **Hydraulic adaptor**
- Standard: **Metric**
- Connection Type: **Male x Male**
- Thread Types: **Metric 60°**
- Other Features: **Nut/Plug**



PART NUMBER	F (Thread)	C	D	L	S
#	Metric	mm	mm	mm	mm
DAMM1000-0800	M8X1	8.00	2.00	14.00	13.00
DAMM1000-1000	M10X1	8.00	4.00	16.00	14.00
DAMM1000-1200	M12X1.5	10.00	4.00	18.00	17.00
DAMM1000-1400	M14X1.5	12.00	6.00	22.00	19.00
DAMM1000-1600	M16X1.5	12.00	8.00	22.00	22.00
DAMM1000-1800	M18X1.5	12.00	10.00	20.00	24.00
DAMM1000-2000	M20X1.5	14.00	12.00	24.00	27.00
DAMM1000-2200	M22X1.5	14.00	14.10	24.00	27.00
DAMM1000-2400	M24X1.5	14.00	15.00	25.00	30.00
DAMM1000-2600	M26X1.5	16.00	15.00	28.00	32.00
DAMM1000-3000	M30X2	18.00	19.00	30.00	36.00
DAMM1000-3600	M36X2	18.00	25.00	32.00	46.00
DAMM1000-4200	M42X2	20.00	28.60	34.00	50.00



## DAMM152F

Straight Connector Metric Male 60°Cone - Metric Fixed Female

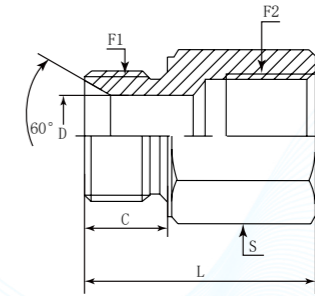
<b>D</b>	<b>A</b>	<b>M</b>	<b>M</b>	<b>1</b>	<b>52</b>	<b>F</b>
Company	Product Range	Thread Types	Connection Type	Adaptor Structure	Thread Types	Connection Type
<b>DME</b>	Adaptor	Metric	Male	Straight	Metric	Fixed Female

German Technology Equipment

**SHIELD FLEX**

New-Standard

- DME&JDE Code: **DAMM152F**
- Product Type: **Hydraulic adaptor**
- Standard: **Metric**
- Structure: **Straight**
- Connection Type: **Male x Fixed Female**
- Thread Types: **Metric 60° Cone x Metric**



PART NUMBER	F1 (Thread)	F2 (Thread)	C	D	L	S
#	Metric	Metric	mm	mm	mm	mm
DAMM152F-0806	M8X1	M6X1	8.00	3.00	25.00	13.00
DAMM152F-1008	M10X1	M8X1	8.00	3.50	8.00	14.00
DAMM152F-1410	M14X1.5	M10X1	12.00	6.00	30.00	19.00
DAMM152F-1612	M16X1.5	M12X1.5	12.00	8.00	31.50	22.00
DAMM152F-1812	M18X1.5	M12X1.5	12.00	10.00	22.00	24.00
DAMM152F-1814	M18X1.5	M14X1.5	12.00	10.00	32.50	24.00
DAMM152F-1816	M18X1.5	M16X1.5	12.00	10.00	33.00	24.00
DAMM152F-1827	M18X1.5	M27X2	12.00	10.00	40.00	32.00
DAMM152F-2014	M20X1.5	M14X1.5	14.00	12.00	35.00	27.00
DAMM152F-2016	M20X1.5	M16X1.5	14.00	12.00	36.50	27.00
DAMM152F-2214	M22X1.5	M14X1.5	14.00	14.10	35.00	27.00
DAMM152F-2218	M22X1.5	M18X1.5	14.00	14.10	36.00	27.00
DAMM152F-2222	M22X1.5	M22X1.5	14.00	14.10	39.00	27.00
DAMM152F-2418	M24X1.5	M18X1.5	14.00	15.00	36.00	30.00
DAMM152F-2420	M24X1.5	M20X1.5	14.00	15.00	41.00	30.00
DAMM152F-2620	M26X1.5	M20X1.5	16.00	15.00	43.00	32.00
DAMM152F-2622	M26X1.5	M22X1.5	16.00	15.00	44.00	32.00
DAMM152F-2718	M27X2	M18X1.5	16.00	15.00	40.00	32.00
DAMM152F-3022	M30X2	M22X1.5	18.00	19.50	45.00	36.00
DAMM152F-3026	M30X2	M26X1.5	18.00	19.50	48.00	36.00
DAMM152F-3314	M33X2	M14X1.5	18.00	21.50	35.00	41.00
DAMM152F-3630	M36X2	M30X2	18.00	25.00	49.00	46.00
DAMM152F-4214	M42X2	M14X1.5	20.00	32.00	37.00	50.00
DAMM152F-4842	M48X2	M42X2	20.00	32.00	56.00	55.00



# DAMM128F

Straight Connector Metric Male 60° Cone - NPTF Fixed Female

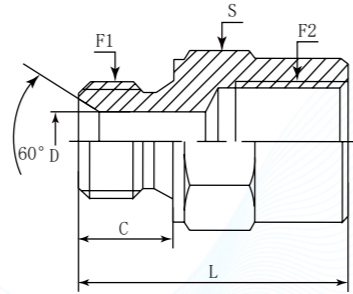
<b>D</b>	<b>A</b>	<b>M</b>	<b>M</b>	<b>1</b>	<b>28</b>	<b>F</b>
Company	Product Range	Thread Types	Connection Type	Adaptor Structure	Thread Types	Connection Type
<b>DME</b>	Adaptor	Metric	Male	Straight	NPTF	Female

German Technology Equipment

**SHIELD FLEX**

New-Standard

- DME&JDE Code: **DAMM128F**
- Product Type: **Hydraulic adaptor**
- Standard: **Metric**
- Structure: **Straight**
- Connection Type: **Male x Fixed Female**
- Thread Types: **Metric 60° Cone x NPTF**



PART NUMBER	F1 (Thread)	F2 (Thread)	C	D	L	S
#	Metric	NPTF	mm	mm	mm	mm
DAMM128F-0402	M4X0.7	1/8"-27	8.00	1.00	26.50	14.00
DAMM128F-0602	M6X1	1/8"-27	8.00	2.00	26.50	14.00
DAMM128F-0802	M8X1	1/8"-27	8.50	3.00	26.50	14.00
DAMM128F-1002	M10X1	1/8"-27	8.00	4.00	22.00	15.88
DAMM128F-1004	M10X1	1/4"-18	8.00	4.00	28.00	19.00
DAMM128F-1008	M10X1	1/2"-14	8.00	4.00	37.00	28.58
DAMM128F-1202	M12X1.5	1/8"-27	10.00	4.00	25.50	17.00
DAMM128F-1204	M12X1.5	1/4"-18	10.00	4.00	30.00	19.00
DAMM128F-1206	M12X1.5	3/8"-18	10.00	6.00	33.00	22.00
DAMM128F-1404	M14X1.5	1/4"-18	12.00	6.00	32.00	19.00
DAMM128F-1406	M14X1.5	3/8"-18	12.00	6.00	35.00	22.00
DAMM128F-1602	M16X1.5	1/8"-27	12.00	8.00	26.50	22.00
DAMM128F-1604	M16X1.5	1/4"-18	12.00	8.00	34.50	22.00
DAMM128F-1606	M16X1.5	3/8"-18	12.00	8.00	31.00	22.00

Certificate:



DAMM128F-1608	M16X1.5	1/2"-14	12.00	8.00	37.00	28.58
DAMM128F-1804	M18X1.5	1/4"-18	12.00	10.00	35.00	24.00
DAMM128F-1806	M18X1.5	3/8"-18	12.00	10.00	32.00	24.00
DAMM128F-1808	M18X1.5	1/2"-14	12.00	10.00	37.00	28.58
DAMM128F-2004	M20X1.5	1/4"-18	14.00	12.00	35.00	26.97
DAMM128F-2006	M20X1.5	3/8"-18	14.00	12.00	34.00	26.97
DAMM128F-2008	M20X1.5	1/2"-14	14.00	12.00	39.00	28.58
DAMM128F-2204	M22X1.5	1/4"-18	14.00	14.10	36.00	26.97
DAMM128F-2206	M22X1.5	3/8"-18	14.00	14.10	36.00	26.97
DAMM128F-2208	M22X1.5	1/2"-14	14.00	14.10	39.00	28.58
DAMM128F-2212	M22X1.5	3/4"-14	14.00	14.10	42.50	34.93
DAMM128F-2408	M24X1.5	1/2"-14	14.00	15.00	39.00	30.00
DAMM128F-2412	M24X1.5	3/4"-14	14.00	15.00	39.00	34.93
DAMM128F-2604	M26X1.5	1/4"-18	16.00	15.00	38.00	32.00
DAMM128F-2608	M26X1.5	1/2"-14	16.00	15.00	41.00	32.00
DAMM128F-2612	M26X1.5	3/4"-14	16.00	15.00	41.60	34.93
DAMM128F-2712	M27X2	3/4"-14	16.00	15.00	41.60	34.93
DAMM128F-3008	M30X1.5	1/2"-14	18.00	21.50	46.00	36.00
DAMM128F-3012	M30X2	3/4"-14	18.00	21.50	48.50	36.00
DAMM128F-3316	M33X2	1"-11-1/2	16.00	23.00	47.00	41.28
DAMM128F-4024	M40X2	1-1/2"-11-1/2	20.00	26.60	58.50	60.00
DAMM128F-4216	M42X2	1"-11-1/2	20.00	28.60	51.00	50.00
DAMM128F-4220	M42X2	1-1/4"-11-1/2	20.00	28.60	57.50	50.80
DAMM128F-4224	M42X2	1-1/2"-11-1/2	20.00	28.60	59.00	60.00
DAMM128F-4824	M48X2	1-1/2"-11-1/2	20.00	32.00	58.50	60.00

Certificate:





## DAMM105F

Straight Connector Metric Male 60° Cone - BSPP Fixed Female

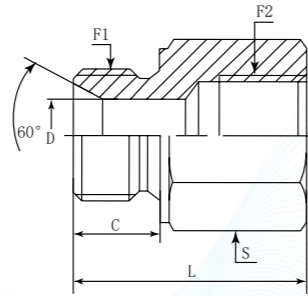
German Technology Equipment

**SHIELD FLEX**

New-Standard

- D** Company: **DME**
- A** Product Range: Adaptor
- M** Thread Types: Metric
- M** Connection Type: Male
- 1** Adaptor Structure: Straight
- 05** Thread Types: BSPP
- F** Connection Type: Female

- DME&JDE Code:** DAMM105F
- Product Type:** Hydraulic adaptor
- Standard:** Metric
- Structure:** Straight
- Connection Type:** Male × Fixed Female
- Thread Types:** Metric 60° Cone × BSPP



PART NUMBER	F1 (Thread)	F2 (Thread)	C	D	L	S
#	Metric	BSPP	mm	mm	mm	mm
DAMM105F-1204	M12X1.5	1/4"-19	10.00	4.00	30.00	19.00
DAMM105F-1404	M14X1.5	1/4"-19	12.00	6.00	31.00	19.00
DAMM105F-1604	M16X1.5	1/4"-19	12.00	8.00	31.00	22.00
DAMM105F-1606	M16X1.5	3/8"-19	12.00	8.00	32.50	22.00
DAMM105F-1608	M16X1.5	1/2"-14	12.00	8.00	38.00	27.00
DAMM105F-1804	M18X1.5	1/4"-19	12.00	10.00	31.00	24.00
DAMM105F-1806	M18X1.5	3/8"-19	12.00	10.00	32.00	24.00
DAMM105F-1808	M18X1.5	1/2"-14	12.00	10.00	38.00	27.00
DAMM105F-2204	M22X1.5	1/4"-19	14.00	14.10	26.00	27.00
DAMM105F-2206	M22X1.5	3/8"-19	14.00	14.10	35.00	27.00
DAMM105F-2208	M22X1.5	1/2"-14	14.00	14.10	38.00	27.00

## DAMF1305

Straight Connector Metric Female - SAE Male O Ring

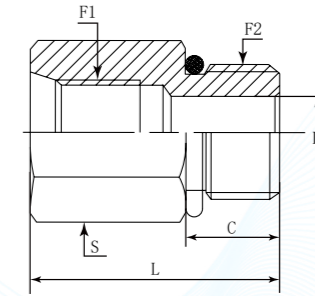
German Technology Equipment

**SHIELD FLEX**

New-Standard

- D** Company: **DME**
- A** Product Range: Adaptor
- M** Thread Types: Metric
- F** Connection Type: Female
- 1** Adaptor Structure: Straight
- 30** Thread Types: SAE UNF
- 5** Connection Type: Male O Ring

- DME&JDE Code:** DAMF1305
- Product Type:** Hydraulic adaptor
- Standard:** Metric
- Structure:** Straight
- Connection Type:** Female × Male
- Thread Types:** Metric × SAE UNF + O Ring
- Sealing Method:** O Rings



PART NUMBER	F1 (Thread)	F2 (Thread)	C	D	L	S
#	Metric	UNF	mm	mm	mm	mm
DAMF1305-1206	M12X1.5	9/16"-18	12.00	7.49	30.00	17.00
DAMF1305-1404	M14X1.5	7/16"-20	9.10	4.40	33.00	22.23
DAMF1305-1405	M14X1.5	1/2"-20	9.14	5.94	31.50	20.64
DAMF1305-1806	M18X1.5	9/16"-18	9.93	7.54	36.83	25.40
DAMF1305-2208	M22X1.5	3/4"-16	11.13	9.93	38.10	28.58
DAMF1305-3312	M33X2	11/16"-12	15.09	15.47	46.00	41.28
DAMF1305-4820	M48X2	15/8"-12	15.09	27.38	47.75	57.15



# DAMF152F

Straight Connector Metric Fixed Female

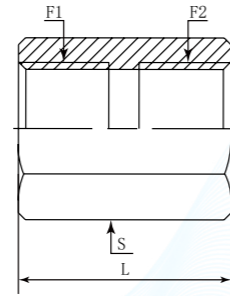
<b>D</b>	<b>A</b>	<b>M</b>	<b>F</b>	<b>1</b>	<b>52</b>	<b>F</b>
Company	Product Range	Thread Types	Connection Type	Adaptor Structure	Thread Types	Connection Type
<b>DME</b>	Adaptor	Metric	Female	Straight	Metric	Female

German Technology Equipment

**SHIELD FLEX**

New-Standard

- DME&JDE Code: **DAMF152F**
- Product Type: **Hydraulic adaptor**
- Standard: **Metric**
- Structure: **Straight**
- Connection Type: **Fixed Female**
- Thread Types: **Metric x Metric**



PART NUMBER	F1 (Thread)	F2 (Thread)	L	S
#	Metric	Metric	mm	mm
DAMF152F-0808	M8X1	M8X1	20.00	14.00
DAMF152F-1010	M10X1	M10X1	20.00	17.00
DAMF152F-1210	M12X1.5	M10X1	30.00	19.00
DAMF152F-1212	M12X1.5	M12X1.5	30.00	19.00
DAMF152F-1412	M14X1.5	M12X1.5	30.00	19.00
DAMF152F-1414	M14X1.5	M14X1.5	30.00	19.00
DAMF152F-1612	M16X1.5	M12X1.5	30.00	24.00
DAMF152F-1614	M16X1.5	M14X1.5	31.00	24.00
DAMF152F-1616	M16X1.5	M16X1.5	30.00	22.00
DAMF152F-1816	M18X1.5	M16X1.5	33.00	24.00
DAMF152F-1818	M18X1.5	M18X1.5	30.00	24.00
DAMF152F-2018	M20X1.5	M18X1.5	36.00	27.00
DAMF152F-2020	M20X1.5	M20X1.5	32.00	27.00
DAMF152F-2216	M22X1.5	M16X1.5	35.00	27.00
DAMF152F-2220	M22X1.5	M20X1.5	38.00	27.00
DAMF152F-2222	M22X1.5	M22X1.5	31.00	27.00
DAMF152F-2422	M24X1.5	M22X1.5	38.00	32.00
DAMF152F-2424	M24X1.5	M24X1.5	38.00	32.00
DAMF152F-2626	M26X1.5	M26X1.5	40.00	36.00

Web: <https://www.dmejde.com>  
E-mail: [info@dmejde.com](mailto:info@dmejde.com)



# DAMM952M

90° Elbow Metric Male 60° Cone - Metric Male 60° Cone

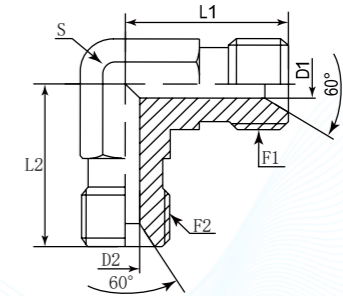
<b>D</b>	<b>A</b>	<b>M</b>	<b>M</b>	<b>9</b>	<b>52</b>	<b>M</b>
Company	Product Range	Thread Types	Connection Type	Adaptor Structure	Thread Types	Connection Type
<b>DME</b>	Adaptor	Metric	Male	90° Elbow	Metric	Male

German Technology Equipment

**SHIELD FLEX**

New-Standard

- DME&JDE Code: **DAMM952M**
- Product Type: **Hydraulic adaptor**
- Standard: **Metric**
- Structure: **90° Elbow**
- Connection Type: **Male x Male**
- Thread Types: **Metric 60° Cone x Metric 60° Cone**



PART NUMBER	F1/F2 (Thread)	D1/D2	L1/L2	S
#	Metric	mm	mm	mm
DAMM952M-1212	M12X1.5	4.00	20.00	11.00
DAMM952M-1616	M16X1.5	8.00	29.00	19.00
DAMM952M-1818	M18X1.5	10.00	29.00	19.00
DAMM952M-2020	M20X1.5	12.00	34.00	22.00
DAMM952M-2222	M22X1.5	14.10	35.00	22.00
DAMM952M-2626	M26X1.5	15.00	42.00	27.00
DAMM952M-3030	M30X1.5	21.50	46.50	33.00

Web: <https://www.dmejde.com>  
E-mail: [info@dmejde.com](mailto:info@dmejde.com)



## DAJCMM906Q

90° Adjustable Elbow Metric Male 74° Cone - BSPP Male + O Ring + Retaining Ring

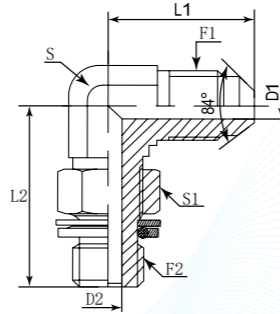
<b>D</b>	<b>A</b>	<b>JSM</b>	<b>M</b>	<b>9</b>	<b>06</b>	<b>0</b>
Company	Product Range	Thread Types	Connection Type	Adaptor Structure	Thread Types	Connection Type
<b>DME</b>	Adaptor	JIC Metric	Male	90° Elbow	BSPP	Male + O Ring + Retaining Ring

German Technology Equipment

**SHIELD FLEX**

New-Standard

- DME&JDE Code: **DAJCMM906Q**
- Product Type: **Hydraulic adaptor**
- Standard: **Metric**
- Structure: **90° Elbow**
- Connection Type: **Male x Male**
- Thread Types: **Metric 74° Cone x BSPP**
- Sealing Method: **O Ring + Retaining Ring**



PART NUMBER	F1 (Thread)	F2 (Thread)	D1	D2	L1	L2	S	S1
#	Metric	BSPP	mm	mm	mm	mm	mm	mm
DAJCMM906Q-1404	M14X1.5	1/4"-19	5.50	7.50	27.00	31.80	14.00	17.00
DAJCMM906Q-1406	M14X1.5	3/8"-19	5.00	9.90	30.00	36.50	19.00	22.00
DAJCMM906Q-1408	M14X1.5	1/2"-14	5.00	12.30	34.00	43.00	22.00	27.00
DAJCMM906Q-1606	M16X1.5	3/8"-19	7.00	9.90	31.50	36.50	19.00	22.00
DAJCMM906Q-1608	M16X1.5	1/2"-14	7.00	12.30	35.00	43.00	22.00	27.00
DAJCMM906Q-2208	M22X1.5	1/2"-14	12.00	12.30	38.00	43.00	22.00	27.00
DAJCMM906Q-2408	M24X1.5	1/2"-14	15.00	12.30	43.00	46.00	27.00	27.00
DAJCMM906Q-2412	M24X1.5	3/4"-14	15.00	15.50	43.00	49.00	27.00	36.00
DAJCMM906Q-3312	M33X1.5	3/4"-14	20.00	15.50	47.00	52.00	33.00	36.00
DAJCMM906Q-3316	M33X1.5	1"-11	20.00	21.50	47.00	52.00	33.00	36.00

## DAMMT52M

Branch Tee Connector Metric 60° Male - Metric 60° Male

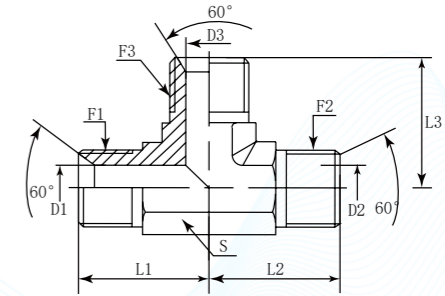
<b>D</b>	<b>A</b>	<b>M</b>	<b>M</b>	<b>T</b>	<b>52</b>	<b>M</b>
Company	Product Range	Thread Types	Connection Type	Adaptor Structure	Thread Types	Connection Type
<b>DME</b>	Adaptor	Metric	Male	Branch Tee	Metric	Male

German Technology Equipment

**SHIELD FLEX**

New-Standard

- DME&JDE Code: **DAMMT52M**
- Product Type: **Hydraulic adaptor**
- Standard: **Metric**
- Structure: **Branch Tee**
- Connection Type: **Male x Male x Male**
- Thread Types: **Metric 60° x Metric 60° x Metric 60°**



PART NUMBER	F1 (Thread)	F2 (Thread)	F3 (Thread)	D1	D2	D3	L1	L2	L3	S
#	METRIC	METRIC	METRIC	mm	mm	mm	mm	mm	mm	mm
DAMMT52M-161616	M16X1.5	M16X1.5	M16X1.5	8.00	8.00	8.00	29.00	29.00	29.00	19
DAMMT52M-181818	M18X1.5	M18X1.5	M18X1.5	10.00	10.00	10.00	29.00	29.00	29.00	19
DAMMT52M-202020	M20X1.5	M20X1.5	M20X1.5	12.00	12.00	12.00	34.00	34.00	34.00	22
DAMMT52M-222222	M22X1.5	M22X1.5	M22X1.5	14.10	14.10	14.10	35.00	35.00	35.00	22
DAMMT52M-262626	M26X1.5	M26X1.5	M26X1.5	15.00	15.00	15.00	42.00	42.00	42.00	27
DAMMT52M-303030	M30X1.5	M30X1.5	M30X1.5	21.50	21.50	21.50	46.50	46.50	46.50	33





## DAJCMM152JCM

Straight Connector Metric Male 74° Cone

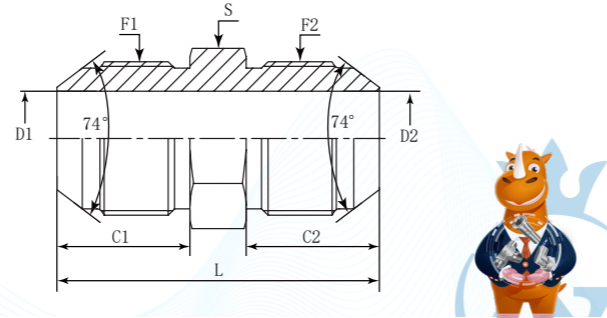
<b>D</b>	<b>A</b>	<b>JSM</b>	<b>M</b>	<b>1</b>	<b>52</b>	<b>JCM</b>
Company	Product Range	Thread Types	Connection Type	Adaptor Structure	Thread Types	Thread Types
<b>DME</b>	Adaptor	Metric 74° Cone	Male	Straight	Metric	Metric 74° Cone

German Technology Equipment

**SHIELD FLEX**

New-Standard

- DME&JDE Code: **DAJCMM152JCM**
- Product Type: **Hydraulic adaptor**
- Standard: **Metric**
- Structure: **Straight**
- Connection Type: **Male x Male**
- Thread Types: **Metric 74° Cone x Metric 74° Cone**
- Sealing Method: **ED Rings**



PART NUMBER	F1 (Thread)	F2 (Thread)	C1	C2	D1	D2	L	S
#	METRIC	METRIC	mm	mm	mm	mm	mm	mm
DAJCMM152JCM-1010	M10X1	M10X1	12.00	12.00	3.20	3.20	30.00	12
DAJCMM152JCM-1212	M12X1.5	M12X1.5	15.70	15.70	5.00	5.00	37.50	14
DAJCMM152JCM-1414	M14X1.5	M14X1.5	17.00	17.00	5.00	5.00	40.00	17
DAJCMM152JCM-1616	M16X1.5	M16X1.5	18.00	18.00	7.00	7.00	42.00	17
DAJCMM152JCM-1818	M18X1.5	M18X1.5	18.00	18.00	8.50	8.50	42.00	19
DAJCMM152JCM-2222	M22X1.5	M22X1.5	19.50	19.50	12.00	12.00	47.00	24
DAJCMM152JCM-2424	M24X1.5	M24X1.5	20.00	20.00	15.00	15.00	50.00	27
DAJCMM152JCM-2727	M27X1.5	M27X1.5	20.00	20.00	16.70	16.70	50.00	30
DAJCMM152JCM-3030	M30X2	M30X2	23.00	23.00	18.50	18.50	57.00	32
DAJCMM152JCM-3333	M33X2	M33X2	26.00	26.00	20.00	20.00	63.00	36
DAJCMM152JCM-3636	M36X2	M36X2	26.00	26.00	26.00	26.00	63.00	38
DAJCMM152JCM-3939	M39X2	M39X2	26.00	26.00	27.00	27.00	65.00	41
DAJCMM152JCM-4242	M42X2	M42X2	28.50	28.50	28.00	28.00	70.00	46
DAJCMM152JCM-4545	M45X2	M45X2	28.50	28.50	33.00	33.00	70.00	46

## DAJCMM105M

Straight Connector Metric Male 74° Cone – BSPP Male 60°

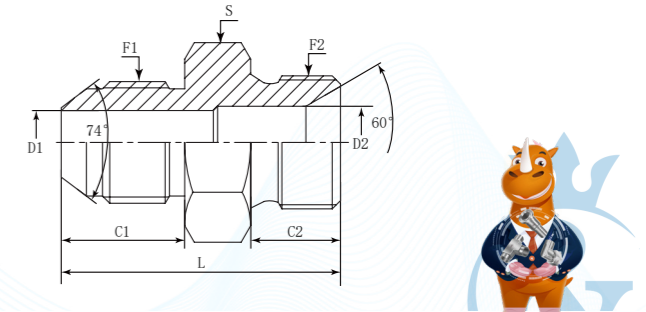
<b>D</b>	<b>A</b>	<b>JCM</b>	<b>M</b>	<b>1</b>	<b>05</b>	<b>M</b>
Company	Product Range	Thread Types	Connection Type	Adaptor Structure	Thread Types	Connection Type
<b>DME</b>	Adaptor	Metric 74° Cone	Male	Straight	BSPP	Male

German Technology Equipment

**SHIELD FLEX**

New-Standard

- DME&JDE Code: **DAJCMM105M**
- Product Type: **Hydraulic adaptor**
- Standard: **Metric**
- Structure: **Straight**
- Connection Type: **Male x Male**
- Thread Types: **Metric 74° Cone x BSPP 60° Cone**



PART NUMBER	F1 (Thread)	F2 (Thread)	C1	C2	D1	D2	L	S
#	METRIC	BSPP	mm	mm	mm	mm	mm	mm
DAJCMM105M-1202	M12X1.5	1/8"-28	15.70	10.00	5.00	3.50	32.00	14
DAJCMM105M-1404	M14X1.5	1/4"-19	17.00	12.00	5.00	4.70	35.00	19
DAJCMM105M-1606	M16X1.5	3/8"-19	18.00	13.50	7.00	7.90	39.50	22
DAJCMM105M-1806	M18X1.5	3/8"-19	18.00	13.50	8.50	7.90	39.50	22
DAJCMM105M-2208	M22X1.5	1/2"-14	19.50	16.00	12.00	11.10	45.50	27
DAJCMM105M-2410	M24X1.5	5/8"-14	20.00	17.50	15.00	14.00	47.50	30
DAJCMM105M-2712	M27X1.5	3/4"-14	20.00	18.50	16.70	16.70	49.50	32
DAJCMM105M-3012	M30X2	3/4"-14	23.00	18.50	18.50	16.70	52.50	32
DAJCMM105M-3316	M33X2	1"-11	26.00	20.50	20.00	22.20	59.50	41
DAJCMM105M-3916	M39X2	1"-11	26.00	20.50	27.00	22.20	59.50	41
DAJCMM105M-4520	M45X2	1-1/4"-11	28.50	20.50	33.00	28.60	64.00	50



## DAJCMM152M

Straight Connector Metric Male 74° Cone – Metric Male 60° Cone

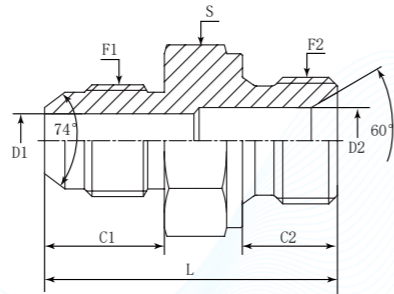
<b>D</b>	<b>A</b>	<b>JCM</b>	<b>M</b>	<b>1</b>	<b>52</b>	<b>M</b>
Company	Product Range	Thread Types	Connection Type	Adaptor Structure	Thread Types	Connection Type
<b>DME</b>	Adaptor	Metric 74° Cone	Male	Straight	Metric	Male

German Technology Equipment

**SHIELD FLEX**

New-Standard

- DME&JDE Code: **DAJCMM152M**
- Product Type: **Hydraulic adaptor**
- Standard: **Metric**
- Structure: **Straight**
- Connection Type: **Male x Male**
- Thread Types: **Metric 74° Cone x Metric 60° Cone**



PART NUMBER	F1 (Thread)	F2 (Thread)	C1	C2	D1	D2	L	S
#	METRIC	METRIC	mm	mm	mm	mm	mm	mm
DAJCMM152M-1210	M12X1.5	M10X1	15.70	8.00	5.00	4.00	34.50	17
DAJCMM152M-1212	M12X1.5	M12X1.5	15.70	10.00	5.00	4.00	35.00	17
DAJCMM152M-1412	M14X1.5	M12X1.5	17.00	10.00	5.00	4.00	37.00	22
DAJCMM152M-1414	M14X1.5	M14X1.5	17.00	12.00	5.00	6.00	38.00	19
DAJCMM152M-1612	M16X1.5	M12X1.5	18.00	10.00	7.00	4.00	38.00	22
DAJCMM152M-1616	M16X1.5	M16X1.5	18.00	12.00	7.00	8.00	40.00	22
DAJCMM152M-1816	M18X1.5	M16X1.5	18.00	12.00	8.50	8.00	40.00	22
DAJCMM152M-1818	M18X1.5	M18X1.5	18.00	12.00	8.50	10.00	40.00	24
DAJCMM152M-2216	M22X1.5	M16X1.5	19.50	12.00	12.00	8.00	41.50	22
DAJCMM152M-2218	M22X1.5	M18X1.5	19.50	12.00	12.00	10.00	41.50	24
DAJCMM152M-2222	M22X1.5	M22X1.5	19.50	14.00	12.00	14.10	43.00	27
DAJCMM152M-2422	M24X1.5	M22X1.5	20.00	14.00	15.00	14.10	43.50	27
DAJCMM152M-2424	M24X1.5	M24X1.5	20.00	14.00	15.00	15.50	45.00	30
DAJCMM152M-2727	M27X1.5	M27X1.5	20.00	16.00	16.70	15.00	47.00	32
DAJCMM152M-3030	M30X1.5	M30X1.5	23.00	18.00	18.50	21.50	53.00	36
DAJCMM152M-3333	M33X2	M33X2	26.00	19.00	20.00	22.20	57.00	41

## DAJCMM106Q

Straight Connector Metric Male 74° Cone – BSPP Male + O Ring

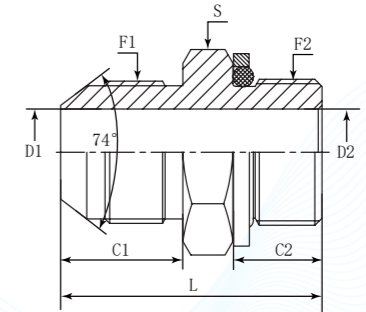
<b>D</b>	<b>A</b>	<b>JCM</b>	<b>M</b>	<b>1</b>	<b>06</b>	<b>0</b>
Company	Product Range	Thread Types	Connection Type	Adaptor Structure	Thread Types	Connection & Sealing Method
<b>DME</b>	Adaptor	Metric 74° Cone	Male	Straight	BSPP	Male + Retaining Ring + O Ring

German Technology Equipment

**SHIELD FLEX**

New-Standard

- DME&JDE Code: **DAJCMM106Q**
- Product Type: **Hydraulic adaptor**
- Standard: **Metric**
- Structure: **Straight**
- Connection Type: **Male x Male**
- Thread Types: **Metric 74° Cone x BSPP**
- Sealing Method: **O Ring + Retaining Ring**



PART NUMBER	F1 (Thread)	F2 (Thread)	C1	C2	D1	D2	L	S
#	METRIC	BSPP	mm	mm	mm	mm	mm	mm
DAJCMM106Q-1404	M14X1.5	1/4"-19	17.00	11.00	5.00	7.50	36.00	19
DAJCMM106Q-1606	M16X1.5	3/8"-19	18.00	11.50	7.00	9.90	40.00	22
DAJCMM106Q-1806	M18X1.5	3/8"-19	18.00	11.50	8.50	9.90	40.00	22
DAJCMM106Q-1808	M18X1.5	1/2"-14	18.00	14.00	8.50	12.30	43.00	27
DAJCMM106Q-2208	M22X1.5	1/2"-14	19.50	14.00	12.00	12.30	44.50	27
DAJCMM106Q-2712	M27X1.5	3/4"-14	20.00	15.50	16.70	15.50	49.50	32
DAJCMM106Q-3012	M30X1.5	3/4"-14	23.00	15.50	18.50	15.50	52.50	32
DAJCMM106Q-3916	M39X2	1"-11	26.00	18.00	27.00	21.50	60.00	41
DAJCMM106Q-4520	M45X2	1-1/4"-11	28.50	20.00	33.00	27.50	66.50	50



## DAJCMM952Q

90° Elbow Metric Male 74° Cone – Metric Male + O Ring + Retaining Ring

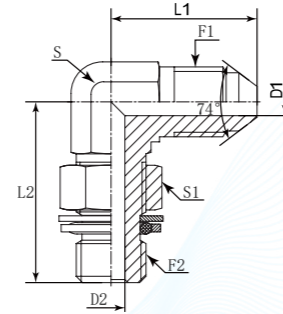
<b>D</b>	<b>A</b>	<b>JCM</b>	<b>M</b>	<b>9</b>	<b>52</b>	<b>Q</b>
Company	Product Range	Thread Types	Connection Type	Adaptor Structure	Thread Types	Connection & Sealing Method
<b>DME</b>	Adaptor	Metric 74° Cone	Male	90° Elbow	Metric	Male + O Ring + Retaining Ring

German Technology Equipment

**SHIELD FLEX**

New-Standard

- DME&JDE Code: **DAJCMM952Q**
- Product Type: **Hydraulic adaptor**
- Standard: **Metric**
- Structure: **90° Elbow**
- Connection Type: **Male x Male**
- Thread Types: **Metric 74° Cone x Metric**
- Sealing Method: **O Ring + Retaining Ring**



PART NUMBER	F1 (Thread)	F2 (Thread)	D1	D2	L1	L2	S	S1
#	METRIC	METRIC	mm	mm	mm	mm	mm	mm
DAJCMM952Q-1412	M14X1.5	M12X1.5	5.00	6.00	30.20	32.00	14	17
DAJCMM952Q-1614	M16X1.5	M14X1.5	7.00	6.00	32.00	35.50	16	19
DAJCMM952Q-1816	M18X1.5	M16X1.5	8.50	7.00	34.00	36.00	19	22
DAJCMM952Q-2218	M22X1.5	M18X1.5	12.00	9.00	37.50	39.50	22	24
DAJCMM952Q-2722	M27X1.5	M22X1.5	16.70	12.00	41.50	43.50	27	27
DAJCMM952Q-3027	M30X1.5	M27X2	18.50	15.00	45.80	50.00	30	32
DAJCMM952Q-3327	M33X2	M27X2	20.00	15.00	49.50	52.00	33	32
DAJCMM952Q-3633	M36X2	M33X2	26.00	20.00	51.50	54.00	36	41
DAJCMM952Q-3933	M39X2	M33X2	27.00	20.00	55.50	57.20	41	41
DAJCMM952Q-4542	M45X2	M42X2	33.00	26.00	62.50	61.00	48	50

## DAJCMM107M

Straight Connector Metric Male 74° Cone – BSPT Male

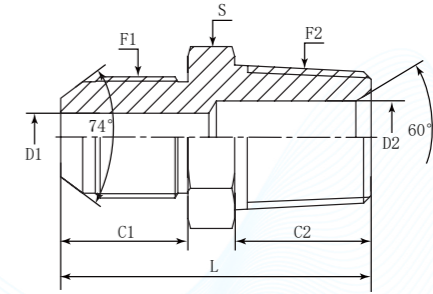
<b>D</b>	<b>A</b>	<b>JCM</b>	<b>M</b>	<b>1</b>	<b>07</b>	<b>M</b>
Company	Product Range	Thread Types	Connection Type	Adaptor Structure	Thread Types	Connection Type
<b>DME</b>	Adaptor	Metric 74° Cone	Male	Straight	BSPT	Male

German Technology Equipment

**SHIELD FLEX**

New-Standard

- DME&JDE Code: **DAJCMM107M**
- Product Type: **Hydraulic adaptor**
- Standard: **Metric**
- Structure: **Straight**
- Connection Type: **Male x Male**
- Thread Types: **Metric 74° Cone x BSPT 60° Cone**



PART NUMBER	F1 (Thread)	F2 (Thread)	C1	C2	D1	D2	L	S
#	METRIC	BSPP	mm	mm	mm	mm	mm	mm
DAJCMM107M-1002	M10X1	1/8"-28	12.00	10.00	3.20	3.50	28.00	12
DAJCMM107M-1404	M14X1.5	1/4"-19	17.00	14.50	5.00	6.00	37.50	17
DAJCMM107M-1406	M14X1.5	3/8"-19	17.00	15.00	5.00	9.00	38.00	17
DAJCMM107M-1604	M16X1.5	1/4"-19	18.00	14.50	7.00	6.00	38.50	17
DAJCMM107M-1606	M16X1.5	3/8"-19	18.00	15.00	7.00	9.00	39.00	17
DAJCMM107M-1804	M18X1.5	1/4"-19	18.00	14.50	8.50	6.00	38.50	19
DAJCMM107M-1806	M18X1.5	3/8"-19	18.00	15.00	8.50	9.00	39.00	19
DAJCMM107M-2208	M22X1.5	1/2"-14	19.50	20.00	12.00	12.00	47.50	24
DAJCMM107M-2708	M27X1.5	1/2"-14	20.00	20.00	16.70	12.00	50.00	30
DAJCMM107M-2712	M27X1.5	3/4"-14	20.00	20.00	16.70	16.70	50.00	30
DAJCMM107M-3012	M30X1.5	3/4"-14	23.00	20.00	18.50	16.70	54.00	32
DAJCMM107M-3312	M33X2	3/4"-14	26.00	20.00	20.00	16.70	57.00	36
DAJCMM107M-3616	M36X2	1"-11	26.00	25.50	26.00	22.20	61.50	38
DAJCMM107M-3916	M39X2	1"-11	26.00	25.50	27.00	22.20	64.50	41
DAJCMM107M-4520	M45X2	1-1/4"-11	28.50	25.50	33.00	28.60	68.00	46





## DAJCMM128M

Straight Connector Metric Male 74° Cone – NPTF Male

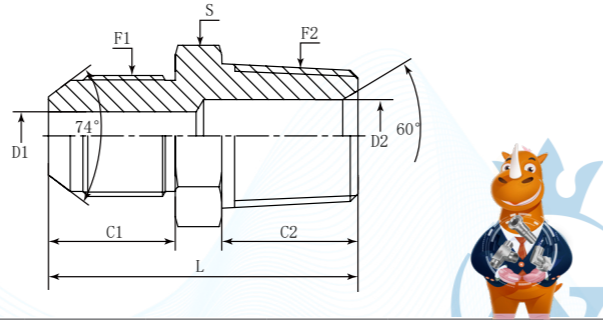
<b>D</b>	<b>A</b>	<b>JCM</b>	<b>M</b>	<b>1</b>	<b>28</b>	<b>M</b>
Company	Product Range	Thread Types	Connection Type	Adaptor Structure	Thread Types	Connection Type
<b>DME</b>	Adaptor	Metric 74° Cone	Male	Straight	NPTF	Male

German Technology Equipment

**SHIELD FLEX**

New-Standard

- DME&JDE Code: **DAJCMM128M**
- Product Type: **Hydraulic adaptor**
- Standard: **Metric**
- Structure: **Straight**
- Connection Type: **Male x Male**
- Thread Types: **Metric 74° Cone x NPTF 60° Cone**



PART NUMBER	F1 (Thread)	F2 (Thread)	C1	C2	D1	D2	L	S
#	METRIC	NPTF	mm	mm	mm	mm	mm	mm
DAJCMM128M-1202	M12X1.5	1/8"-27	15.70	10.50	5.00	4.78	32.00	14
DAJCMM128M-1204	M12X1.5	1/4"-18	15.70	15.00	5.00	7.14	36.50	14
DAJCMM128M-1402	M14X1.5	1/8"-27	17.00	10.50	5.00	4.78	33.00	17
DAJCMM128M-1404	M14X1.5	1/4"-18	17.00	15.00	5.00	7.14	38.00	17
DAJCMM128M-1604	M16X1.5	1/4"-18	18.00	15.00	7.00	7.14	39.00	17
DAJCMM128M-1606	M16X1.5	3/8"-18	18.00	16.00	7.00	10.31	40.00	19
DAJCMM128M-1804	M18X1.5	1/4"-18	18.00	15.00	8.50	7.14	39.00	19
DAJCMM128M-1806	M18X1.5	3/8"-18	18.00	16.00	8.50	10.31	40.00	19
DAJCMM128M-1808	M18X1.5	1/2"-14	18.00	19.50	8.50	13.49	45.50	22
DAJCMM128M-2206	M22X1.5	3/8"-18	19.50	16.00	12.00	10.31	43.50	24
DAJCMM128M-2208	M22X1.5	1/2"-14	19.50	19.50	12.00	13.49	47.00	24
DAJCMM128M-2706	M27X1.5	3/8"-18	20.00	16.50	16.70	10.31	46.00	30
DAJCMM128M-2708	M27X1.5	1/2"-14	20.00	19.50	16.70	13.49	49.50	30
DAJCMM128M-2712	M27X1.5	3/4"-14	20.00	19.50	16.70	18.26	49.50	30
DAJCMM128M-2716	M27X1.5	1"-11 1/2	20.00	25.50	16.70	23.83	56.50	36
DAJCMM128M-3012	M30X1.5	3/4"-14	23.00	19.50	18.50	18.26	53.50	32
DAJCMM128M-3312	M33X2	3/4"-14	26.00	19.50	20.00	18.26	56.50	36
DAJCMM128M-3616	M36X2	1"-11-1/2	26.00	25.50	26.00	23.83	63.00	41
DAJCMM128M-3916	M39X2	1"-11-1/2	26.00	25.50	27.00	23.83	64.50	41
DAJCMM128M-4516	M45X2	1"-11-1/2	28.50	25.50	33.00	23.83	67.00	46
DAJCMM128M-4520	M45X2	1-1/4"-11-1/2	28.50	26.50	33.00	31.75	68.00	46
DAJCMM128M-4524	M45X2	1-1/2"-11-1/2	28.50	27.50	33.00	38.10	71.00	50

## DAJCMM1305

Straight Connector Metric Male 74° Cone – SAE Male O Ring

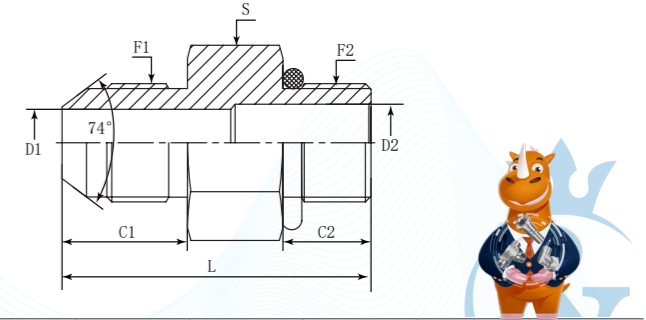
<b>D</b>	<b>A</b>	<b>JCM</b>	<b>M</b>	<b>1</b>	<b>30</b>	<b>5</b>
Company	Product Range	Thread Types	Connection Type	Adaptor Structure	Thread Types	Connection & Sealing Method
<b>DME</b>	Adaptor	Metric 74° Cone	Male	Straight	SAE	Male + O Ring

German Technology Equipment

**SHIELD FLEX**

New-Standard

- DME&JDE Code: **DAJCMM1305**
- Product Type: **Hydraulic adaptor**
- Standard: **Metric**
- Structure: **Straight**
- Connection Type: **Male x Male**
- Thread Types: **Metric 74° Cone x SAE UNF**
- Sealing Method: **O Rings**



PART NUMBER	F1 (Thread)	F2 (Thread)	C1	C2	D1	D2	L	S
#	METRIC	UNF	mm	mm	mm	mm	mm	mm
DAJCMM1305-1606	M16X1.5	9/16"-18	18.00	9.90	7.00	7.54	35.00	17
DAJCMM1305-1808	M18X1.5	3/4"-18	18.00	11.10	8.50	9.93	37.00	22
DAJCMM1305-2210	M22X1.5	7/8"-14	19.50	12.70	16.70	12.29	42.00	27
DAJCMM1305-2712	M27X1.5	1-1/16"-12	20.00	15.10	18.50	15.47	46.00	32
DAJCMM1305-3012	M30X1.5	1-1/16"-12	23.00	15.10	18.50	15.47	49.00	32
DAJCMM1305-3316	M33X2	1-5/16"-12	26.00	15.10	20.00	21.44	54.00	38
DAJCMM1305-3916	M39X2	1-5/16"-12	26.00	15.10	27.00	21.44	58.00	41
DAJCMM1305-4220	M42X2	1-5/8"-12	28.50	15.10	28.00	27.38	58.00	50

## DAJCMM907M

90° Elbow Metric Male 74° Cone - BSPT Male

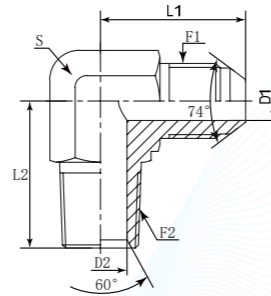
<b>D</b>	<b>A</b>	<b>JCM</b>	<b>M</b>	<b>9</b>	<b>07</b>	<b>M</b>
Company	Product Range	Thread Types	Connection Type	Adaptor Structure	Thread Types	Connection Type
<b>DME</b>	Adaptor	Metric 74° Cone	Male	90° Elbow	BSPT	Male

German Technology Equipment

**SHIELD FLEX**

New-Standard

- DME&JDE Code: **DAJCMM907M**
- Product Type: **Hydraulic adaptor**
- Standard: **Metric**
- Structure: **90° Elbow**
- Connection Type: **Male x Male**
- Thread Types: **Metric 74° Cone x BSPT 60° Cone**



PART NUMBER	F1 (Thread)	F2 (Thread)	D1	D2	L1	L2	S
#	METRIC	BSPT	mm	mm	mm	mm	mm
DAJCMM907M-1404	M14X1.5	1/4"-19	5.00	6.00	30.20	25.50	14
DAJCMM907M-1604	M16X1.5	1/4"-19	7.00	6.00	32.00	26.50	16
DAJCMM907M-1806	M18X1.5	3/8"-19	8.50	9.00	34.00	29.00	19
DAJCMM907M-1808	M18X1.5	1/2"-14	8.50	12.00	36.00	36.00	22
DAJCMM907M-2208	M22X1.5	1/2"-14	12.00	12.00	37.50	36.00	22
DAJCMM907M-2708	M27X1.5	1/2"-14	16.70	12.00	41.50	39.50	27
DAJCMM907M-2712	M27X1.5	3/4"-14	16.70	16.70	41.50	44.00	27
DAJCMM907M-3012	M30X1.5	3/4"-14	18.50	16.70	45.80	45.50	30
DAJCMM907M-3312	M33X2	3/4"-14	20.00	16.70	49.50	47.50	33
DAJCMM907M-3616	M36X2	1"-11	26.00	22.20	51.50	52.00	36
DAJCMM907M-3916	M39X2	1"-11	27.00	22.20	55.50	55.50	41
DAJCMM907M-4520	M45X2	1 1/4"-11	33.00	28.60	62.50	61.00	48

## DAJCMM928M

90° Elbow Metric Male 74° Cone - NPTF Male

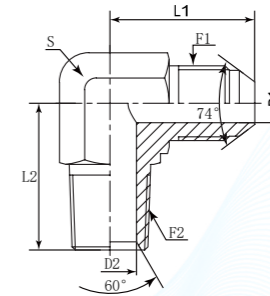
<b>D</b>	<b>A</b>	<b>JCM</b>	<b>M</b>	<b>9</b>	<b>28</b>	<b>M</b>
Company	Product Range	Thread Types	Connection Type	Adaptor Structure	Thread Types	Connection Type
<b>DME</b>	Adaptor	Metric 74° Cone	Male	90° Elbow	NPTF	Male

German Technology Equipment

**SHIELD FLEX**

New-Standard

- DME&JDE Code: **DAJCMM928M**
- Product Type: **Hydraulic adaptor**
- Standard: **Metric**
- Structure: **90° Elbow**
- Connection Type: **Male x Male**
- Thread Types: **Metric 74° Cone x NPTF 60° Cone**



PART NUMBER	F1 (Thread)	F2 (Thread)	D1	D2	L1	L2	S
#	METRIC	NPTF	mm	mm	mm	mm	mm
DAJCMM928M-1202	M12X1.5	1/8"-27	5.00	4.78	25.50	21.00	14
DAJCMM928M-1204	M12X1.5	1/4"-18	5.00	7.14	28.00	25.50	14
DAJCMM928M-1402	M14X1.5	1/8"-27	5.00	4.78	30.20	23.50	17
DAJCMM928M-1404	M14X1.5	1/4"-18	5.00	7.14	30.20	25.50	17
DAJCMM928M-1604	M16X1.5	1/4"-18	7.00	7.14	32.00	26.50	19
DAJCMM928M-1606	M16X1.5	3/8"-18	7.00	10.31	32.00	30.00	19
DAJCMM928M-1608	M16X1.5	1/2"-14	7.00	13.49	36.00	36.70	19
DAJCMM928M-1804	M18X1.5	1/4"-18	8.50	7.14	34.00	28.70	22
DAJCMM928M-1806	M18X1.5	3/8"-18	8.50	10.31	34.00	31.00	22
DAJCMM928M-2206	M22X1.5	3/8"-18	12.00	10.31	37.50	32.50	27
DAJCMM928M-2208	M22X1.5	1/2"-14	12.00	13.49	37.50	36.70	27
DAJCMM928M-2708	M27X1.5	1/2"-14	16.70	13.49	41.50	40.00	32
DAJCMM928M-2712	M27X1.5	3/4"-14	16.70	18.26	41.50	44.00	32
DAJCMM928M-2716	M27X1.5	1"-11-1/2	16.70	23.83	45.00	49.00	32
DAJCMM928M-3012	M30X1.5	3/4"-14	18.50	18.26	45.80	45.00	36
DAJCMM928M-3616	M36X2	1"-11-1/2	26.00	23.83	51.50	51.50	41
DAJCMM928M-3916	M39X2	1"-11-1/2	27.00	23.83	55.50	54.50	46
DAJCMM928M-4220	M45X2	1-1/4"-11-1/2	28.00	31.75	57.00	54.50	50
DAJCMM928M-4516	M45X2	1"-11-1/2	33.00	23.83	62.50	58.50	55
DAJCMM928M-4520	M45X2	1-1/4"-11-1/2	33.00	31.75	62.50	58.50	55
DAJCMM928M-4524	M45X2	1-1/2"-11-1/2	33.00	38.10	62.50	63.00	55



## DAJCMM1000

Metric Male 74° Cone Plug

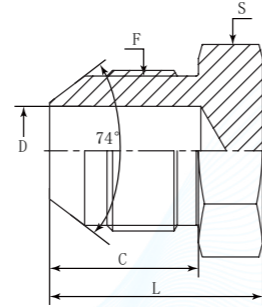
<b>D</b>	<b>A</b>	<b>JCM</b>	<b>M</b>	<b>1</b>	<b>000</b>
Company	Product Range	Thread Types	Connection Type	Adaptor Structure	Other Features
<b>DME</b>	Adaptor	Metric 74° Cone	Male	Straight	Nut/Plug

German Technology Equipment

**SHIELD FLEX**

New-Standard

- DME&JDE Code: **DAJCMM1000**
- Product Type: **Hydraulic adaptor**
- Standard: **Metric**
- Structure: **Straight**
- Connection Type: **Male**
- Thread Types: **Metric**
- Other Features: **Nut/Plug**



PART NUMBER	F1 (Thread)	C	D	L	S
#	METRIC	mm	mm	mm	mm
DAJCMM1000-1000	M10X1	12.00	3.20	18.00	12
DAJCMM1000-1200	M12X1.5	15.70	5.00	21.50	14
DAJCMM1000-1400	M14X1.5	17.00	5.00	23.00	17
DAJCMM1000-1600	M16X1.5	18.00	7.00	24.00	17
DAJCMM1000-1800	M18X1.5	18.00	8.50	24.00	19
DAJCMM1000-2200	M22X1.5	19.50	12.00	27.50	24
DAJCMM1000-2400	M24X1.5	20.00	15.00	30.00	27
DAJCMM1000-2700	M27X1.5	20.00	16.70	30.00	30
DAJCMM1000-3000	M30X1.5	23.00	18.50	34.00	32
DAJCMM1000-3300	M33X2	26.00	20.00	37.00	36
DAJCMM1000-3600	M36X2	26.00	26.00	38.00	38
DAJCMM1000-3900	M39X2	26.00	27.00	39.00	41
DAJCMM1000-4200	M42X2	28.50	28.00	41.50	46
DAJCMM1000-4500	M45X2	28.50	33.00	41.50	46



## DAJCMM31000

Metric Female 74° Cone Plug

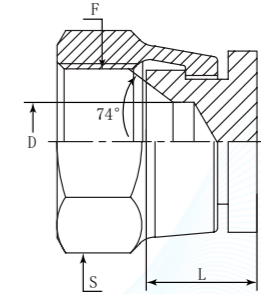
<b>D</b>	<b>A</b>	<b>JCM</b>	<b>M</b>	<b>3</b>	<b>1</b>	<b>000</b>
Company	Product Range	Thread Types	Connection Type	Adaptor Structure	Adaptor Structure	Other Features
<b>DME</b>	Adaptor	Metric 74° Cone	Male	Slip-on Female	Straight	Nut/Plug

German Technology Equipment

**SHIELD FLEX**

New-Standard

- DME&JDE Code: **DAJCMM31000**
- Product Type: **Hydraulic adaptor**
- Standard: **Metric**
- Structure: **Straight**
- Connection Type: **Female**
- Thread Types: **Metric**
- Other Features: **Nut/Plug**



PART NUMBER	F1 (Thread)	D	L	S
#	METRIC	mm	mm	mm
DAJCMM31000-1400	M14X1.5	4.00	11.00	19
DAJCMM31000-1600	M16X1.5	5.50	12.00	22
DAJCMM31000-1800	M18X1.5	7.00	13.00	24
DAJCMM31000-2200	M22X1.5	9.50	14.00	27
DAJCMM31000-2700	M27X1.5	15.00	17.00	32
DAJCMM31000-3000	M30X1.5	14.00	17.00	36
DAJCMM31000-3600	M36X2	25.00	20.00	41
DAJCMM31000-3900	M39X2	27.00	21.00	46
DAJCMM31000-4500	M45X2	33.00	23.00	50
DAJCMM31000-5200	M52X2	38.00	27.00	60
DAJCMM31000-6000	M60X2	54.60	30.00	70





## DAJCMM128F

Straight Connector Metric Male 74° Cone – NPTF Female

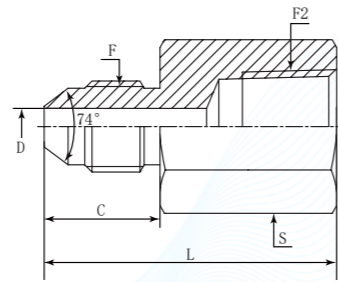
<b>D</b>	<b>A</b>	<b>JSM</b>	<b>M</b>	<b>1</b>	<b>28</b>	<b>F</b>
Company	Product Range	Thread Types	Connection Type	Adaptor Structure	Thread Types	Connection Type
<b>DME</b>	Adaptor	Metric 74° Cone	Male	Straight	NPTF	Female

German Technology Equipment

**SHIELD FLEX**

New-Standard

- DME&JDE Code: **DAJCMM128F**
- Product Type: **Hydraulic adaptor**
- Standard: **Metric**
- Structure: **Straight**
- Connection Type: **Male x Female**
- Thread Types: **Metric 74° Cone x NPTF**



PART NUMBER	F1 (Thread)	F2 (Thread)	C	D	L	S
#	METRIC	NPTF	mm	mm	mm	mm
DAJCMM128F-1202	M12X1.5	1/8"-27	15.70	5.00	31.90	14
DAJCMM128F-1404	M14X1.5	1/4"-18	17.00	5.00	38.30	19
DAJCMM128F-1606	M16X1.5	3/8"-18	18.00	7.00	41.00	22
DAJCMM128F-1806	M18X1.5	3/8"-18	18.00	8.50	40.90	22
DAJCMM128F-2208	M22X1.5	1/2"-14	19.50	12.00	48.40	30
DAJCMM128F-2712	M27X1.5	3/4"-14	20.00	16.70	50.40	36
DAJCMM128F-3616	M36X2	1"-11-1/2	25.00	26.00	61.60	41
DAJCMM128F-4220	M42X2	1-1/4"-11-1/2	28.50	28.00	67.40	50



## DAMMO152MO

Straight Connector Metric Male L + O Ring

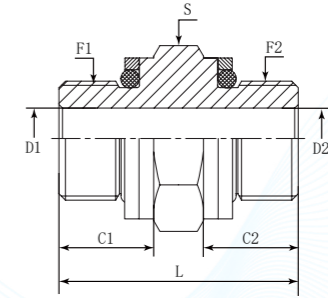
<b>D</b>	<b>A</b>	<b>M</b>	<b>M</b>	<b>O</b>	<b>1</b>	<b>52</b>	<b>M</b>	<b>O</b>
Company	Product Range	Connection Type	Connection Type	seal Type	Adaptor Structure	Connection & Sealing Method	Connection Type	seal Type
<b>DME</b>	Adaptor	Male	Male	O Ring	Straight	Male + O Ring	Male	O Ring

German Technology Equipment

**SHIELD FLEX**

New-Standard

- DME&JDE Code: **DAMMO152MO**
- Product Type: **Hydraulic adaptor**
- Standard: **Metric**
- Structure: **Straight**
- Connection Type: **Male x Male**
- Thread Types: **Metric x Metric**
- Sealing Method: **O Rings**



PART NUMBER	F1 (Thread)	F2 (Thread)	C1	C2	D1	D2	L	S
#	METRIC	METRIC	mm	mm	mm	mm	mm	mm
DAMMO152MO-1010	M10X1	M10X1	8.50	8.50	3.20	3.20	28.00	14
DAMMO152MO-1212	M12X1.5	M12X1.5	11.00	11.00	5.00	5.00	33.00	17
DAMMO152MO-1414	M14X1.5	M14X1.5	11.00	11.00	5.00	5.00	33.00	19
DAMMO152MO-1616	M16X1.5	M16X1.5	11.50	11.50	7.00	7.00	34.00	22
DAMMO152MO-1818	M18X1.5	M18X1.5	12.50	12.50	8.50	8.50	36.00	24
DAMMO152MO-2222	M22X1.5	M22X1.5	13.00	13.00	12.00	12.00	39.00	27
DAMMO152MO-2727	M27X2	M27X2	16.00	16.00	16.70	16.70	45.00	32
DAMMO152MO-3333	M33X2	M33X2	16.00	16.00	20.00	20.00	48.00	41
DAMMO152MO-4242	M42X2	M42X2	16.00	16.00	28.00	28.00	50.00	50
DAMMO152MO-4848	M48X2	M48X2	17.50	17.50	32.00	32.00	53.00	55



## DAJCMMT52JCM

Branch Tee Metric Male 74° – Metric Male 74°

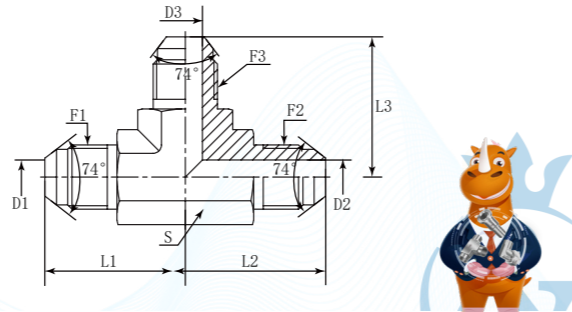
<b>D</b>	<b>A</b>	<b>JCM</b>	<b>M</b>	<b>T</b>	<b>52</b>	<b>JCM</b>
Company	Product Range	Thread Types	Connection Type	Adaptor Structure	Thread Types	Thread Types
<b>DME</b>	Adaptor	Metric 74° Cone	Male	Branch Tee	Metric	Metric 74° Cone

German Technology Equipment

**SHIELD FLEX**

New-Standard

- DME&JDE Code: **DAJCMMT52JCM**
- Product Type: **Hydraulic adaptor**
- Standard: **Metric**
- Structure: **Branch Tee**
- Connection Type: **Male x Male x Male**
- Thread Types: **Metric 74° Cone x Metric 74° Cone x Metric 74° Cone**



PART NUMBER	F1 (Thread)	F2 (Thread)	F3 (Thread)	D1	D2	D3	L1	L2	L3	S
#	METRIC	METRIC	METRIC	mm	mm	mm	mm	mm	mm	mm
DAJCMMT52JCM-1414	M14X1.5	M14X1.5	M14X1.5	5.00	5.00	5.00	27.00	27.00	27.00	14
DAJCMMT52JCM-1616	M16X1.5	M16X1.5	M16X1.5	7.00	7.00	7.00	29.50	29.50	29.50	16
DAJCMMT52JCM-1818	M18X1.5	M18X1.5	M18X1.5	8.50	8.50	8.50	34.00	34.00	34.00	19
DAJCMMT52JCM-2222	M22X1.5	M22X1.5	M22X1.5	12.00	12.00	12.00	37.50	37.50	37.50	22
DAJCMMT52JCM-2727	M27X1.5	M27X1.5	M27X1.5	16.70	16.70	16.70	41.50	41.50	41.50	27
DAJCMMT52JCM-3030	M30X1.5	M27X1.5	M27X1.5	18.50	18.50	18.50	42.80	42.80	42.80	30
DAJCMMT52JCM-3333	M33X2	M33X2	M33X2	20.00	20.00	20.00	49.50	49.50	49.50	33

## DAJMML065

Run Tee Connector Metric Male 84° Cone - Adjustable BSPP Male O Ring

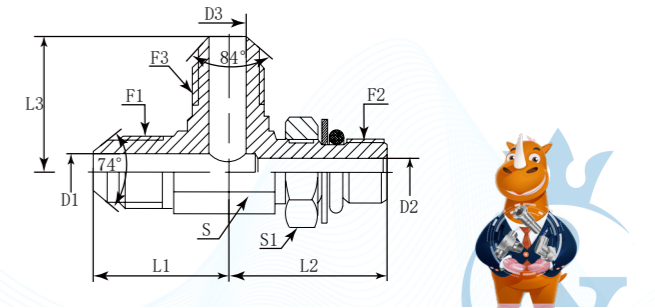
<b>D</b>	<b>A</b>	<b>M</b>	<b>M</b>	<b>L</b>	<b>06</b>	<b>5</b>
Company	Product Range	Connection Type	Connection Type	Adaptor Structure	Thread Types	Connection Type
<b>DME</b>	Adaptor	Metric 84°	Male	Run Tee	BSPP	Male O Ring

German Technology Equipment

**SHIELD FLEX**

New-Standard

- DME&JDE Code: **DAJMML065**
- Product Type: **Hydraulic adaptor**
- Standard: **Metric**
- Structure: **Run Tee**
- Connection Type: **Male x Adjustable Male**
- Thread Types: **UNF 74° Cone x BSPP + O Ring x Metric 84° Cone**
- Sealing Method: **O Rings**



PART NUMBER	F1 (Thread)	F2 (Thread)	F3 (Thread)	D1	D2	D3	L1	L2	L3	S	S1
#	UNF	BSPP	METRIC	mm	mm	mm	mm	mm	mm	mm	mm
DAJMML065-0604	7/16"-20	1/4"-19	M14X1.5	4.37	7.50	7.54	28.50	31.50	28.50	14.00	19.00



# Hydraulic Adaptors

# Test Point »



<p><b>TP-DAJCM1251-BPF</b> P729</p> <p>Test Point JIC Male - JIC Swivel Female with BSP Gauge Port</p>	<p><b>TP-DAOF51241-BPF</b> P730</p> <p>Test Point ORFS Male - ORFS Swivel Female with BSP Gauge Port</p>	<p><b>TP-DAJSM1071-BPF</b> P731</p> <p>Test Point Metric Male - Metric Swivel Female with BSP Gauge Port BSP</p>	<p><b>TP-DANPM1091-BPF</b> P732</p> <p>Test Point NPTF Male - NPSM Swivel Female with BSP Gauge Port</p>
<p><b>TP-DAJCM1251-NPF</b> P733</p> <p>Test Point JIC Male - JIC Swivel Female with NPTF Gauge Port</p>	<p><b>TP-DAJCM1251-UNF</b> P734</p> <p>Test Point JIC Male 74° - JIC Swivel Female 74° with JIC Gauge Port</p>	<p><b>TP-DAOF51241-NPF</b> P735</p> <p>Test Point ORFS Male - ORFS Swivel Female with NPTF Gauge Port</p>	<p><b>TP-DAOF51241-UNF</b> P736</p> <p>Test Point ORFS Male - ORFS Swivel Female with JIC Gauge Port</p>
<p><b>TP-DABPM1081-BPF</b> P737</p> <p>Test Point BSP Male - BSP Swivel Female with BSP Gauge Port BSP</p>	<p><b>TP-DAJCM1305-NPF</b> P738</p> <p>Test Point JIC Male - JIC Male + O Ring with NPTF Gauge Port</p>		





## TP-DAJCM1251-BPF

Test Point JIC Male - JIC Swivel Female with BSP Gage Port

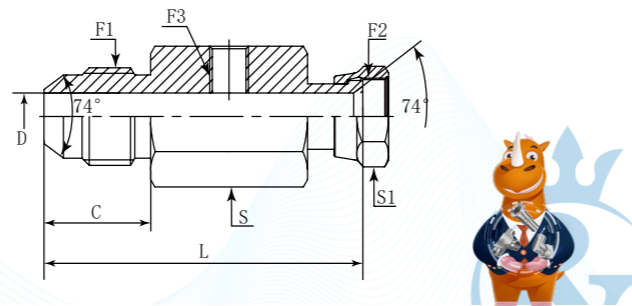
TP	D	A	JC	M	1	251	BPF
Test Point	Company	Product Range	Thread Types	Connection Type	Adaptor Structure	Connection Type	Accessory
	<b>DME</b>	Adaptor	JIC	Male	Straight	JIC Swivel Female	BSP Female Gage Port

German Technology Equipment

**SHIELD FLEX**

New-Standard

- DME&JDE Code: TP-DAJCM1251-BPF
- Product Type: Hydraulic adaptor
- Standard: Test Point Adaptor
- Structure: Straight
- Connection Type: Male x Swivel Female x Female
- Thread Types: JIC UNF x JIC UNF x BSPP Gage Port



Filter the F1 Thread through selecting the -XX options

PART NUMBER	F1 (Thread)	F2 (Thread)	F3 (Thread)	C	D	L	S	S1
#	UNF	UNF	BSPP	mm	mm	mm	mm	mm
TP-DAJCM1251-BPF-040402	7/16"-20	7/16"-20	1/8"-28	13.97	4.37	42.00	1"	9/16"
TP-DAJCM1251-BPF-050502	1/2"-20	1/2"-20	1/8"-28	13.97	5.94	42.90	1"	5/8"
TP-DAJCM1251-BPF-060602	9/16"-18	9/16"-18	1/8"-28	14.12	7.54	44.00	1"	11/16"
TP-DAJCM1251-BPF-080802	3/4"-16	3/4"-16	1/8"-28	16.69	9.93	48.00	1"	7/8"
TP-DAJCM1251-BPF-101002	7/8"-14	7/8"-14	1/8"-28	19.25	12.29	51.50	1"	1"
TP-DAJCM1251-BPF-121202	1-1/16"-12	1-1/16"-12	1/8"-28	21.95	15.47	55.00	1-1/8"	1-1/4"
TP-DAJCM1251-BPF-141402	1-3/16"-12	1-3/16"-12	1/8"-28	23.00	18.00	56.60	1-1/4"	1-3/8"
TP-DAJCM1251-BPF-161602	1-5/16"-12	1-5/16"-12	1/8"-28	23.14	21.44	57.50	1-3/8"	1-1/2"
TP-DAJCM1251-BPF-202002	1-5/8"-12	1-5/8"-12	1/8"-28	24.33	27.38	60.00	1-11/16"	2"

## TP-DAOF51241-BPF

Test Point ORFS Male - ORFS Swivel Female with BSP Gage Port

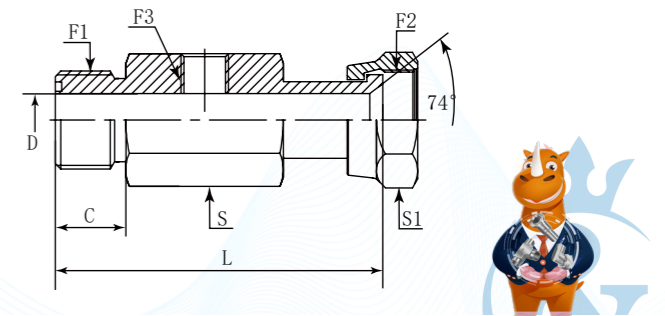
TP	D	A	OF	5	1	241	BPF
Test Point	Company	Product Range	Thread Types	Connection Type	Adaptor Structure	Connection Type	Accessory
	<b>DME</b>	Adaptor	ORFS	Male	Straight	ORFS Swivel Female	BSP Female Gage Port

German Technology Equipment

**SHIELD FLEX**

New-Standard

- DME&JDE Code: TP-DAOF51241-BPF
- Product Type: Hydraulic adaptor
- Standard: Test Point Adaptor
- Structure: Straight
- Connection Type: Male x Swivel Female x Female
- Thread Types: UNF x UNF x BSPP Gage Port



Filter the F1 Thread through selecting the -XX options

PART NUMBER	F1 (Thread)	F2 (Thread)	F3 (Thread)	C	D	L	S	S1
#	UNF	UNF	BSPP	mm	mm	mm	mm	mm
TP-DAOF51241-BPF-040402	9/16"-18	9/16"-18	1/8"-28	9.80	4.19	46.50	1"	11/16"
TP-DAOF51241-BPF-060602	11/16"-16	11/16"-16	1/8"-28	11.20	6.71	50.00	1"	13/16"
TP-DAOF51241-BPF-080802	13/16"-16	13/16"-16	1/8"-28	12.80	9.09	54.50	1"	15/16"
TP-DAOF51241-BPF-101002	1"-14	1"-14	1/8"-28	15.49	11.51	60.50	1-1/16"	1-1/8"
TP-DAOF51241-BPF-121202	1-3/16"-12	1-3/16"-12	1/8"-28	17.02	13.89	65.50	1-1/4"	1-3/8"
TP-DAOF51241-BPF-161602	1-7/16"-12	1-7/16"-12	1/8"-28	17.50	19.89	70.00	1-1/2"	1-5/8"
TP-DAOF51241-BPF-202002	1-11/16"-12	1-11/16"-12	1/8"-28	17.50	26.00	70.00	1-7/8"	1-7/8"



## TP-DAJSM1071-BPF

Test Point Metric Male - Metric Swivel Female with BSP Gage Port BSP

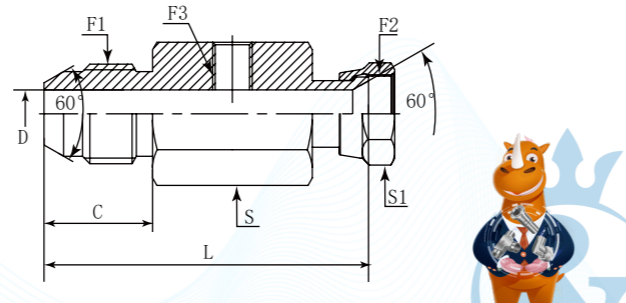
TP	D	A	JS	M	1	071	BPF
Test Point	Company <b>DME</b>	Product Range Adaptor	Thread Types JIS Metric	Connection Type Male	Adaptor Structure Straight	Connection Type Metric Swivel Female	Accessory BSP Female Gage Port

German Technology Equipment

**SHIELD FLEX**

New-Standard

- DME&JDE Code: TP-DAJSM1071-BPF
- Product Type: Hydraulic adaptor
- Standard: Test Point
- Structure: Straight
- Connection Type: Male x Swivel Female x Female
- Thread Types: Metric x Metric x BSPP Gage Port



Filter the F1 Thread through selecting the -XX options

PART NUMBER	F1 (Thread)	F2 (Thread)	F3 (Thread)	C	D	L	S	S1
#	Metric	Metric	BSPP	mm	mm	mm	mm	mm
TP-DAJSM1071-BPF-141402	M14X1.5	M14X1.5	1/8"-28	17.00	4.00	46.50	25.40	19.00
TP-DAJSM1071-BPF-181802	M18X1.5	M18X1.5	1/8"-28	18.00	7.00	49.50	25.40	24.00
TP-DAJSM1071-BPF-222202	M22X1.5	M22X1.5	1/8"-28	20.00	9.50	51.50	25.40	27.00
TP-DAJSM1071-BPF-242402	M24X1.5	M24X1.5	1/8"-28	21.50	12.50	53.50	27.00	32.00
TP-DAJSM1071-BPF-262602	M26X1.5	M26X1.5	1/8"-28	22.00	13.00	54.50	30.00	32.00
TP-DAJSM1071-BPF-303002	M30X1.5	M30X1.5	1/8"-28	26.00	14.00	59.50	33.00	36.00



## TP-DANPM1091-BPF

Test Point NPTF Male - NPSM Swivel Female with BSP Gage Port

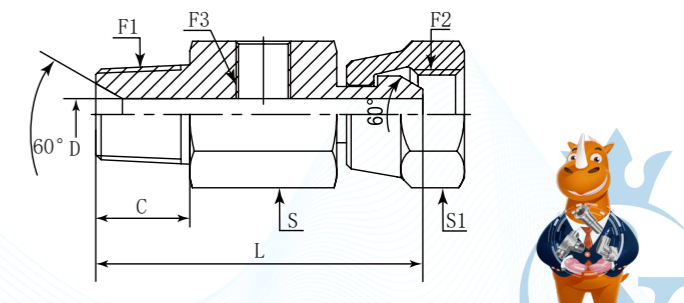
TP	D	A	NP	M	1	091	BPF
Test Point	Company <b>DME</b>	Product Range Adaptor	Thread Types NPTF	Connection Type Male	Adaptor Structure Straight	Connection Type NPSM Swivel Female	Accessory BSP Female Gage Port

German Technology Equipment

**SHIELD FLEX**

New-Standard

- DME&JDE Code: TP-DANPM1091-BPF
- Product Type: Hydraulic adaptor
- Standard: Test Point Adaptor
- Structure: Straight
- Connection Type: Male x Swivel Female x Female
- Thread Types: NPTF x NPSM x BSP Gage Port



Filter the F1 Thread through selecting the -XX options

PART NUMBER	F1 (Thread)	F2 (Thread)	F3 (Thread)	C	D	L	S	S1
#	NPTF	NPSM	BSPP	mm	mm	mm	mm	mm
TP-DANPM1091-BPF-060602	3/8"-18	3/8"-18	1/8"-28	14.22	8.13	44.63	25.40	22.23



## TP-DAJCM1251-NPF

Test Point JIC Male - JIC Swivel Female with NPTF Gage Port

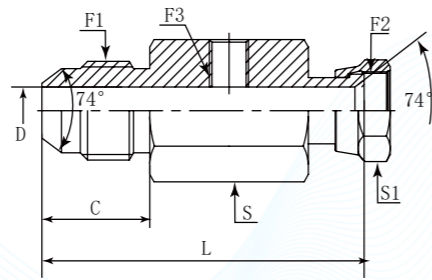
TP	D	A	JC	M	1	251	NPF
Test Point	Company <b>DME</b>	Product Range Adaptor	Thread Types JIC UNF	Connection Type Male	Adaptor Structure Straight	Connection Type JIC Swivel Female	Accessory NPTF Female Gage Port

German Technology Equipment

**SHIELD FLEX**

New-Standard

- DME&JDE Code: TP-DAJCM1251-NPF
- Product Type: Hydraulic adaptor
- Standard: Test Point Adaptor
- Structure: Straight
- Connection Type: Male x Swivel Female x Female
- Thread Types: JIC x JIC x NPTF Gage Port



Filter the F1 Thread through selecting the -XX options

PART NUMBER	F1 (Thread)	F2 (Thread)	F3 (Thread)	C	D	L	S	S1
#	UNF	UNF	NPTF	mm	mm	mm	mm	mm
TP-DAJCM1251-NPF-040404	7/16"-20	7/16"-20	1/4"-18	13.97	4.37	50.00	19.05	14.27
TP-DAJCM1251-NPF-060604	9/16"-18	9/16"-18	1/4"-18	14.12	7.54	64.50	22.20	17.45
TP-DAJCM1251-NPF-080804	3/4"-16	3/4"-16	1/4"-18	16.69	9.93	64.50	22.22	22.23
TP-DAJCM1251-NPF-101004	7/8"-14	7/8"-14	1/4"-18	19.25	12.29	65.25	22.20	25.40
TP-DAJCM1251-NPF-121204	1-1/16"-12	1-1/16"-12	1/4"-18	21.95	15.47	72.40	26.97	31.75
TP-DAJCM1251-NPF-161604	1-5/16"-12	1-5/16"-12	1/4"-18	25.93	21.44	81.71	33.30	38.10
TP-DAJCM1251-NPF-202004	1-5/8"-12	1-5/8"-12	1/4"-18	24.33	27.38	65.08	42.86	50.80
TP-DAJCM1251-NPF-242404	1-7/8"-12	1-7/8"-12	1/4"-18	27.51	33.32	70.00	47.62	57.15



## TP-DAJCM1251-UNF

Test Point JIC Male 74° - JIC Swivel Female 74° with JIC Gage Port

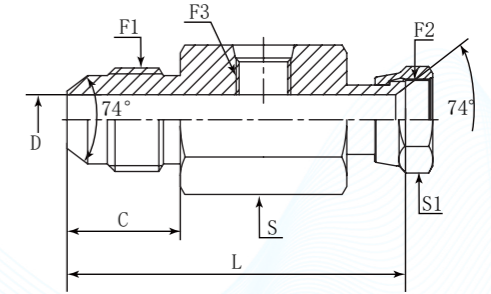
TP	D	A	JC	M	1	251	UNF
Test Point	Company <b>DME</b>	Product Range Adaptor	Thread Types JIC UNF	Connection Type Male	Adaptor Structure Straight	Connection Type JIC Swivel Female	Accessory UNF Gage Port

German Technology Equipment

**SHIELD FLEX**

New-Standard

- DME&JDE Code: TP-DAJCM1251-UNF
- Product Type: Hydraulic adaptor
- Standard: Test Point Adaptor
- Structure: Straight
- Connection Type: Male x Swivel Female x Female
- Thread Types: UNF x UNF x UNF Gage Port



Filter the F1 Thread through selecting the -XX options

PART NUMBER	F1 (Thread)	F2 (Thread)	F3 (Thread)	C1	C2	D	L	S	S1
#	UNF	UNF	UNF	mm	mm	mm	mm	mm	mm
TP-DAJCM1251-UNF-040404	7/16"-20	7/16"-20	7/16"-20	13.97	8.03	4.37	42.00	25.40	14.27
TP-DAJCM1251-UNF-060604	9/16"-18	9/16"-18	7/16"-20	14.12	9.91	7.54	44.03	25.40	17.45
TP-DAJCM1251-UNF-080804	3/4"-16	3/4"-16	7/16"-20	16.69	11.20	9.93	47.90	25.40	22.23
TP-DAJCM1251-UNF-101004	7/8"-14	7/8"-14	7/16"-20	19.25	11.96	12.29	51.21	25.40	25.40
TP-DAJCM1251-UNF-121204	1-1/16"-12	1-1/16"-12	7/16"-20	21.95	12.85	15.47	54.80	28.58	31.75
TP-DAJCM1251-UNF-161604	1-5/16"-12	1-5/16"-12	7/16"-20	23.14	14.37	21.44	57.50	34.93	38.10
TP-DAJCM1251-UNF-202004	1-5/8"-12	1-5/8"-12	7/16"-20	24.33	15.75	27.38	60.08	42.86	50.80





## TP-DAOF51241-NPF

Test Point ORFS Male - ORFS Swivel Female with NPTF Gage Port

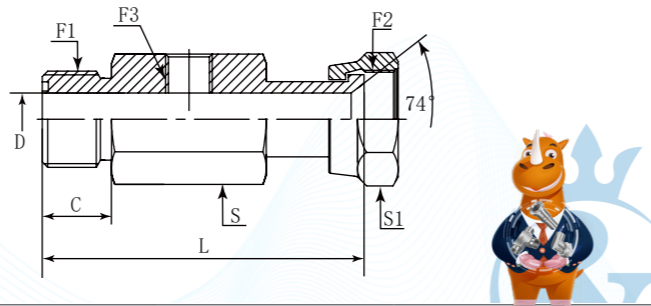
TP	D	A	OF	5	1	241	NPF
Test Point	Company <b>DME</b>	Product Range Adaptor	Thread Types ORFS	Connection Type Male	Adaptor Structure Straight	Connection Type ORFS Swivel Female	Accessory NPTF Female Gage Port

German Technology Equipment

**SHIELD FLEX**

New-Standard

- DME&JDE Code: TP-DAOF51241-NPF
- Product Type: Hydraulic adaptor
- Standard: Test Point Adaptor
- Structure: Straight
- Connection Type: Male x Swivel Female x Female
- Thread Types: UNF x UNF x NPTF Gage Port



Filter the F1 Thread through selecting the -XX options

PART NUMBER	F1 (Thread)	F2 (Thread)	F3 (Thread)	C	D	L	S	S1
#	UNF	UNF	NPTF	mm	mm	mm	mm	mm
TP-DAOF51241-NPF-040404	9/16"-18	9/16"-18	1/4"-18	9.80	4.19	51.30	25.40	17.46
TP-DAOF51241-NPF-060604	11/16"-16	11/16"-16	1/4"-18	11.20	6.71	54.90	25.40	20.62
TP-DAOF51241-NPF-080804	13/16"-16	13/16"-16	1/4"-18	12.80	9.09	59.52	25.40	23.81
TP-DAOF51241-NPF-101004	1"-14	1"-14	1/4"-18	15.49	11.51	65.40	27.00	28.58
TP-DAOF51241-NPF-121204	1-3/16"-12	1-3/16"-12	1/4"-18	17.02	13.89	70.50	32.00	34.92
TP-DAOF51241-NPF-161604	1-7/16"-12	1-7/16"-12	1/4"-18	17.50	19.89	73.00	41.27	41.28

Certificate:



## TP-DAOF51241-UNF

Test Point ORFS Male - ORFS Swivel Female with JIC Gage Port

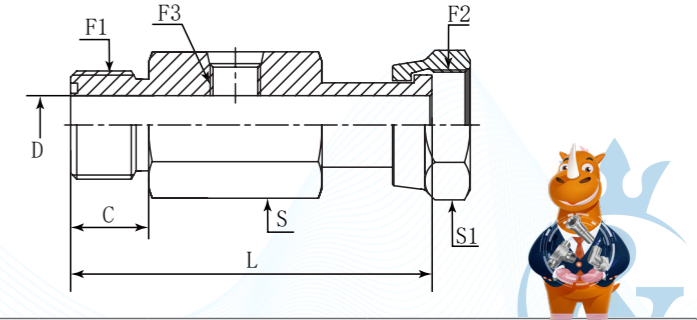
TP	D	A	OF	5	1	241	UNF
Test Point	Company <b>DME</b>	Product Range Adaptor	Thread Types ORFS	Connection Type Male	Adaptor Structure Straight	Connection Type ORFS Swivel Female	Accessory UNF Female Gage Port

German Technology Equipment

**SHIELD FLEX**

New-Standard

- DME&JDE Code: TP-DAOF51241-UNF
- Product Type: Hydraulic adaptor
- Standard: Test Point Adaptor
- Structure: Straight
- Connection Type: Male x Swivel Female x Female
- Thread Types: UNF x UNF x UNF Gage Port



Filter the F1 Thread through selecting the -XX options

PART NUMBER	F1 (Thread)	F2 (Thread)	F3 (Thread)	C1	C2	D	L	S	S1
#	UNF	UNF	UNF	mm	mm	mm	mm	mm	mm
TP-DAOF51241-UNF-040404	9/16"-18	9/16"-18	7/16"-20	9.80	16.51	4.19	51.30	25.40	17.46
TP-DAOF51241-UNF-060604	11/16"-16	11/16"-16	7/16"-20	11.20	18.67	6.71	54.90	25.40	20.62
TP-DAOF51241-UNF-080804	13/16"-16	13/16"-16	7/16"-20	12.80	21.72	9.09	59.52	25.40	23.81
TP-DAOF51241-UNF-080806	13/16"-16	13/16"-16	9/16"-18	12.80	21.72	9.09	59.50	25.40	23.81
TP-DAOF51241-UNF-101004	1"-14	1"-14	7/16"-20	15.49	24.89	11.51	65.40	27	28.58
TP-DAOF51241-UNF-121204	1-3/16"-12	1-3/16"-12	7/16"-20	17.02	28.45	13.89	70.50	32	34.92
TP-DAOF51241-UNF-161604	1-7/16"-12	1-7/16"-12	7/16"-20	17.50	30.48	19.89	73.00	41.27	41.28
TP-DAOF51241-UNF-242404	2"-12	2"-12	7/16"-20	17.50	30.48	32.00	76.00	53.98	57.15

Certificate:



## TP-DABPM1081-BPF

Test Point BSP Male - BSP Swivel Female with BSP Gage Port BSP

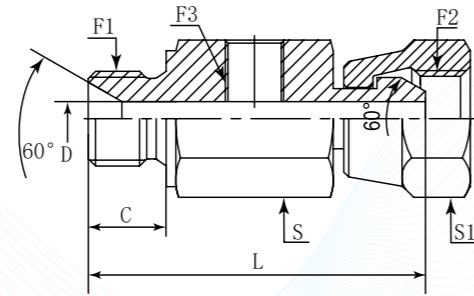
TP	D	A	BP	M	1	081	BPF
Test Point	Company	Product Range	Thread Types	Connection Type	Adaptor Structure	Connection Type	Accessory
	<b>DME</b>	Adaptor	BSP	Male	Straight	BSP Swivel Female	BSP Female Gage Port

German Technology Equipment

**SHIELD FLEX**

New-Standard

- DME&JDE Code: TP-DABPM1081-BPF
- Product Type: Hydraulic adaptor
- Standard: Test Point
- Structure: Straight
- Connection Type: Male x Swivel Female x Female
- Thread Types: BSPP x BSPP x BSP Gage Port



Filter the F1 Thread through selecting the -XX options

PART NUMBER	F1 (Thread)	F2 (Thread)	F3 (Thread)	C	D	L	S	S1
#	BSPP	BSPP	BSPP	mm	mm	mm	mm	mm
TP-DABPM1081-BPF-080802	1/2"-14	1/2"-14	1/8"-28	14.00	11.10	50.00	27.00	27.00
TP-DABPM1081-BPF-121202	3/4"-14	3/4"-14	1/8"-28	16.00	16.70	54.50	32.00	32.00
TP-DABPM1081-BPF-121204	3/4"-14	3/4"-14	1/4"-19	16.00	16.70	54.50	32.00	32.00
TP-DABPM1081-BPF-161602	1"-11	1"-11	1/8"-28	19.00	22.20	59.50	41.00	41.00
TP-DABPM1081-BPF-161604	1"-11	1"-11	1/4"-19	19.00	22.20	59.50	41.00	41.00

## TP-DAJCM1305-NPF

Test Point JIC Male - JIC Male + O Ring with NPTF Gage Port

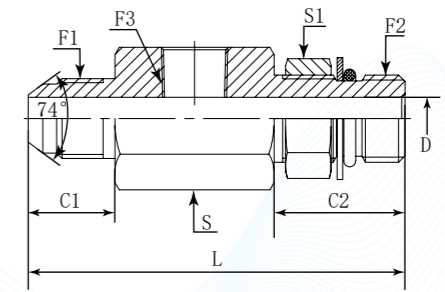
TP	D	A	JC	M	1	30	5	NPF
Test Point	Company	Product Range	Thread Types	Connection Type	Adaptor Structure	Thread Types	Connection Type	Accessory
	<b>DME</b>	Adaptor	JIC	Male	Straight	JIC	Male + O Ring	NPTF Female Gage Port

German Technology Equipment

**SHIELD FLEX**

New-Standard

- DME&JDE Code: TP-DAJCM1305-NPF
- Product Type: Hydraulic adaptor
- Standard: Test Point Adaptor
- Structure: Straight
- Connection Type: Male x Male x Female
- Thread Types: UNF x UNF + O Ring x NPTF Gage Port
- Sealing Method: O Rings



Filter the F1 Thread through selecting the -XX options

PART NUMBER	F1 (Thread)	F2 (Thread)	F3 (Thread)	C1	C2	D	L	S	S1
#	UNF	UNF	NPTF	mm	mm	mm	mm	mm	mm
TP-DAJCM1305-NPF-080804	3/4"-16	3/4"-16	1/4"-18	18.69	24.22	9.93	79.40	22.22	22.22
TP-DAJCM1305-NPF-121204	1-1/16"-12	1-1/16"-12	1/4"-18	24.74	32.17	15.47	91.90	26.97	31.75





Captive Flange



Split Flange



Straight



45° Elbow



90° Elbow

## Hydraulic Flange & Adaptor

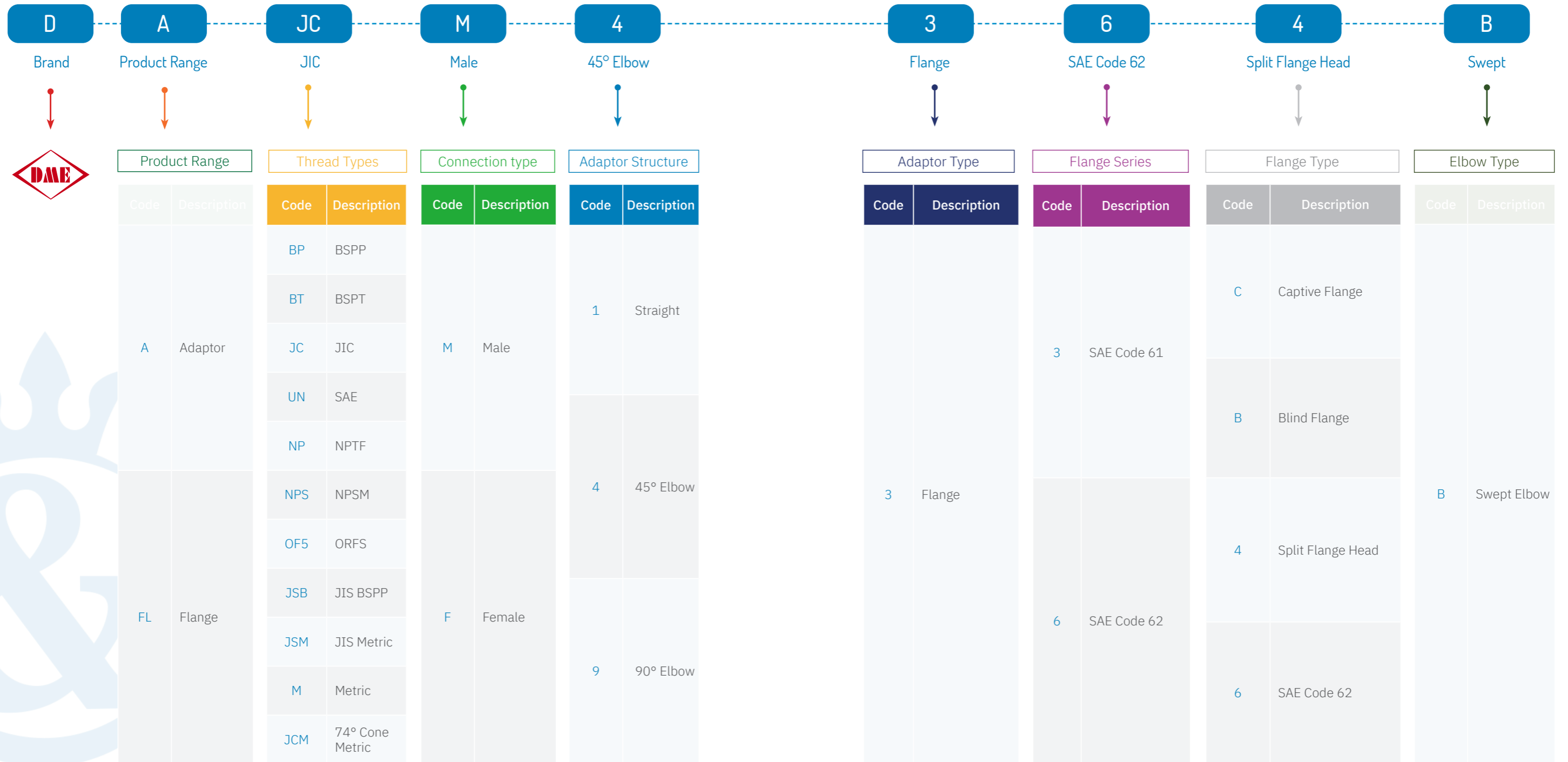
Hydraulic flange & adaptors are used in the most demanding applications, including high pressure, shock and vibration, especially in larger sizes. It can save labor times and costs as well as reduce tool limitation during installation, which makes installation efficient, easy can flexible.

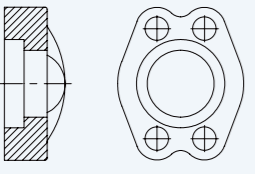
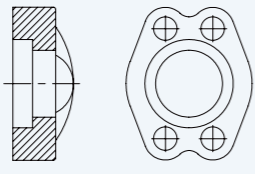
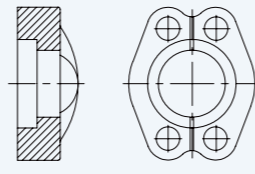
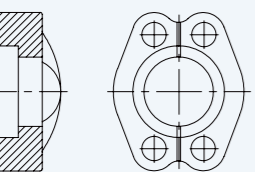
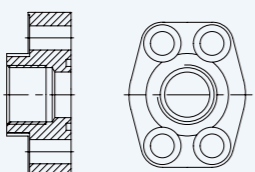
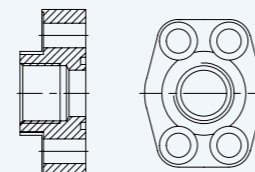
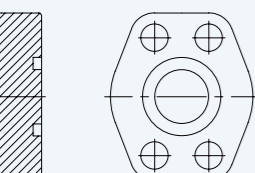
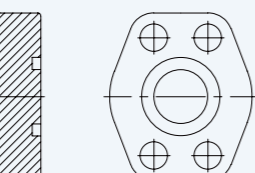
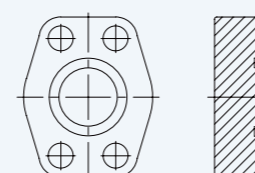
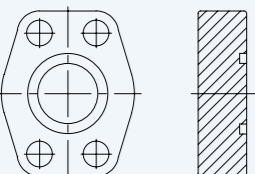
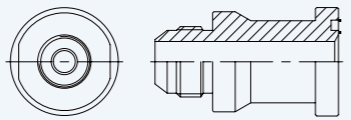
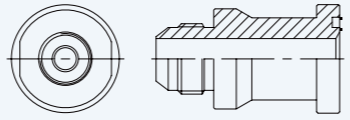
DME&JDE supplies full ranges of hydraulic flanges and adaptors for your fluid power transmission. Just select the perfect one for your line or you can contact our specialist for further production recommendation and solution design.

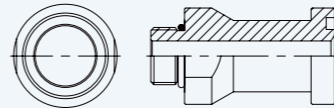
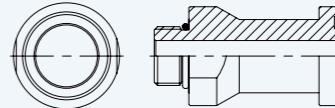
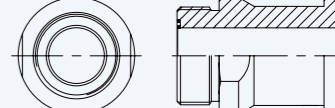
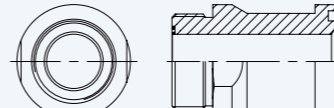
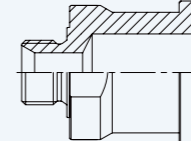
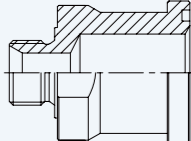
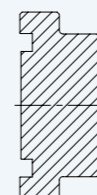

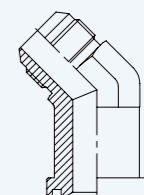
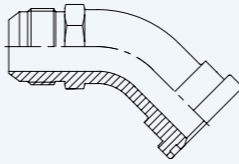
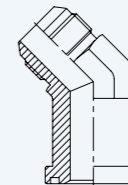
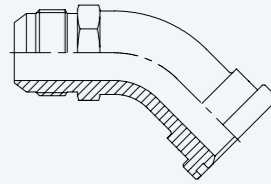


# CODE SYSTEM

e.g. DAJCM4364-B

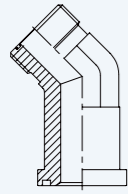


<p><b>DFLC3</b> P746</p>  <p>Captive Flange SAE Code 61</p>	<p><b>DFLC6</b> P747</p>  <p>Captive Flange SAE Code 62</p>	<p><b>DFL3</b> P748</p>  <p>Split Flange SAE Code 61</p>
<p><b>DFL6</b> P749</p>  <p>Split Flange SAE Code 62</p>	<p><b>DFL3BP</b> P750</p>  <p>4 Bolt Thread Flange, BSPP Female Code 61</p>	<p><b>DFL6BP</b> P751</p>  <p>4 Bolt Thread Flange, BSPP Female Code 62</p>
<p><b>DFLB3</b> P752</p>  <p>Blind Flanges Zero Pressure SAE Code 61</p>	<p><b>DFLB6</b> P753</p>  <p>Blind Flanges Zero Pressure SAE Code 62</p>	<p><b>DFLBP3</b> P754</p>  <p>Blind Flanges Low Pressure SAE Code 61</p>
<p><b>DFLBP6</b> P755</p>  <p>Blind Flanges Low Pressure SAE Code 62</p>	<p><b>DAJCM1334</b> P756</p>  <p>Straight JIC Male 74° - Flange SAE Code 61</p>	<p><b>DAJCM1364</b> P757</p>  <p>Straight Connector JIC Male - Flange SAE Code 62</p>

<p><b>DAUNM1334</b> P758</p>  <p>Straight Connector SAE Male + O Ring - Flange SAE Code 61</p>	<p><b>DAUNM1364</b> P759</p>  <p>Straight Connector SAE Male + O Ring - Flange SAE Code 62</p>	<p><b>DAOF51334</b> P760</p>  <p>Straight Connector ORFS Male - Flange SAE Code 61</p>
<p><b>DAOF51364</b> P761</p>  <p>Straight Connector ORFS Male - Flange SAE Code 62</p>	<p><b>DABPM1334</b> P762</p>  <p>Straight Connector BSPP Male 60° - Flange SAE Code 61</p>	<p><b>DABPM1364</b> P763</p>  <p>Straight Connector BSPP Male 60° - Flange SAE Code 62</p>
<p><b>DFLOP3</b> P764</p>  <p>SAE Flange Plug with O Ring Code 61</p>	<p><b>DFLOP6</b> P765</p>  <p>SAE Flange Plug with O Ring Code 62</p>	<p><b>DAJCM4334</b> P767</p>  <p>45° Forged Elbows JIC Male 74° - Flange SAE Code 61</p>
<p><b>DAJCM4334-B</b> P768</p>  <p>45° Swept Elbows JIC Male 74° - Flange SAE Code 61</p>	<p><b>DAJCM4364</b> P769</p>  <p>45° Forged Elbow JIC Male 74° - Flange SAE Code 62</p>	<p><b>DAJCM4364-B</b> P770</p>  <p>45° Swept Elbow JIC Male 74° - Flange SAE Code 62</p>

**DAOF54334**

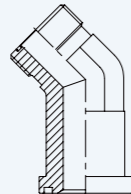
P771



45° Forged Elbows ORFS Male  
- Flange SAE Code 61

**DAOF54364**

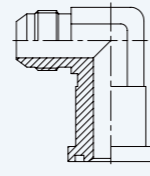
P772



45° Forged Elbows ORFS Male  
- Flange SAE Code 62

**DAJCM9334**

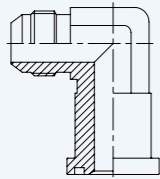
P773



90° Forged Elbow JIC Male 74°  
- Flange SAE Code 61

**DAJCM9364**

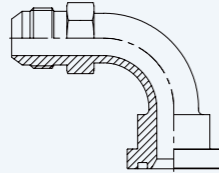
P774



90° Forged Elbow JIC Male 74°  
- Flange SAE Code 62

**DAJCM9334-B**

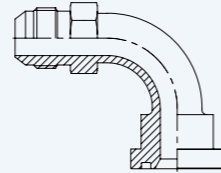
P775



90° Swept Elbows JIC Male 74°  
- Flange SAE Code 61

**DAJCM9364-B**

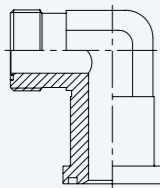
P776



90° Swept Elbows JIC Male 74°  
- Flange SAE Code 62

**DAOF59334**

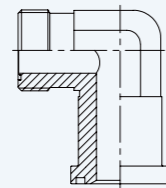
P777



90° Forged Elbow ORFS Male  
- Flange SAE Code 61

**DAOF59364**

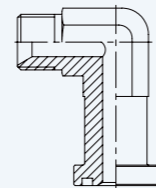
P778



90° Forged Elbow ORFS Male  
- Flange SAE Code 62

**DABPM9334**

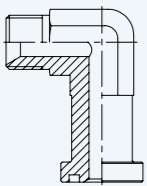
P779



90° Forged Elbow ORFS Male  
- Flange SAE Code 62

**DABPM9364**

P780



90° Forged Elbows BSPP Male 60°  
- Flange SAE Code 62

**DFLC3**

Captive Flange SAE Code 61

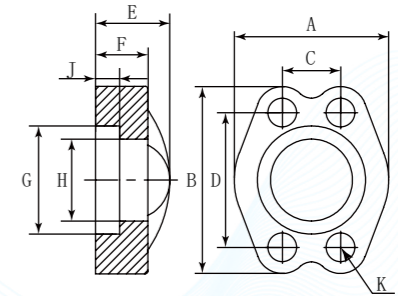
<b>D</b>	<b>FL</b>	<b>C</b>	<b>3</b>
Company	Product Range	Flange Type	Flange Series
<b>DME</b>	Flange	Captive	SAE Code 61

German Technology Equipment

**SHIELD FLEX**

New-Standard

- DME&JDE Code: **DFLC3**
- Product Type: **Flange**
- Flange Type: **Captive flange**
- Connection Type: **Flange Code 61**



PART NUMBER	Flange Size	A	B	C	D	E	F	G	H	J	K
#		mm	mm	mm	mm	mm	mm	mm	mm	mm	mm
DFLC3-08	0.5	46	53.8	17.48	38.1	19.1	12.7	30.96	24.3	6.22	8.7
DFLC3-12	0.75	52.3	65	22.23	47.63	22.4	14.2	39.89	32.1	6.22	10.3
DFLC3-16	1	58.7	69.9	26.19	52.37	23.9	15.7	45.24	38.5	7.49	10.3
DFLC3-20	1.25	73.2	79.2	30.18	58.72	22.4	14.2	51.59	43.7	7.49	11.9
DFLC3-24	1.5	82.6	93.7	35.71	69.85	25.4	15.7	61.11	50.8	7.49	13.5
DFLC3-32	2	96.8	101.6	42.88	77.77	26.2	15.7	72.24	62.7	9.02	13.5
DFLC3-40	2.5	108.7	114.3	50.8	88.9	38.1	19.1	84.94	74.9	9.02	13.5
DFLC3-48	3	131.1	134.9	61.93	106.38	41.1	22.4	102.39	90.9	9.02	16.7
DFLC3-56	3.5	139.7	152.4	69.85	120.65	28.4	22.4	115.09	102.4	10.72	16.7
DFLC3-64	4	152.4	162.1	77.77	130.18	35.1	25.4	127.79	115.1	10.72	16.7



## DFLC6

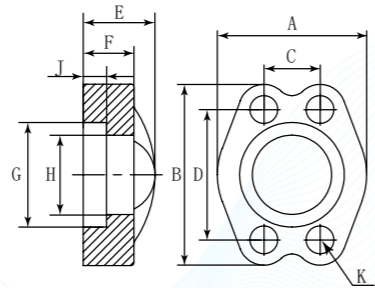
Captive Flange SAE Code 62

<b>D</b>	<b>FL</b>	<b>C</b>	<b>6</b>
Company	Product Range	Flange Type	Flange Series
<b>DME</b>	Flange	Captive	SAE Code 62

German Technology Equipment

**SHIELD FLEX**

New-Standard



- DME&JDE Code: DFCL6
- Product Type: Flange
- Flange Type: Captive flange
- Connection Type: Flange Code 62

PART NUMBER	Flange Size	A	B	C	D	E	F	G	H	J	K
#		mm	mm	mm	mm	mm	mm	mm	mm	mm	mm
DFCL6-08	0.5	47.2	56.4	18.24	40.49	22.4	15.7	32.54	24.6	7.24	8.7
DFCL6-12	0.75	60.5	71.4	23.83	50.8	28.4	19.1	42.06	32.5	8.26	10.3
DFCL6-16	1	69.9	81	27.79	57.15	33.3	23.9	48.41	38.9	9.02	11.9
DFCL6-20	1.25	77.7	95.3	31.75	66.68	38.1	26.9	54.76	44.5	9.78	13.5
DFCL6-24	1.5	95.3	112.8	36.53	79.38	42.9	30.2	64.29	51.6	12.07	16.7
DFCL6-32	2	114.3	133.4	44.45	96.82	52.3	36.6	80.16	67.6	12.07	19.8

Web: <https://www.dmejde.com>  
E-mail: [info@dmejde.com](mailto:info@dmejde.com)



## DFL3

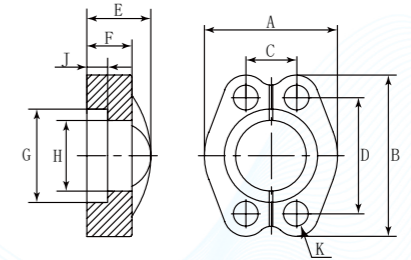
Split Flange SAE Code 61

<b>D</b>	<b>FL</b>	<b>3</b>
Company	Product Range	Flange Series
<b>DME</b>	Flange	SAE Code 61

German Technology Equipment

**SHIELD FLEX**

New-Standard



- DME&JDE Code: DFL3
- Product Type: Flange
- Flange Type: Split flange
- Connection Type: Flange Code 61

PART NUMBER	Flange Size	A	B	C	D	E	F	G	H	J	K
#		mm	mm	mm	mm	mm	mm	mm	mm	mm	mm
DFL3-08	0.5	45.97	5385.00	17.48	38.10	19.05	12.70	30.96	24.26	6.22	9.00
DFL3-12	0.75	52.32	65.02	22.25	47.63	22.35	14.22	38.89	32.13	6.22	11.00
DFL3-16	1	58.67	69.85	26.16	52.30	23.88	15.75	45.24	38.48	7.49	11.00
DFL3-20	1.25	73.15	79.25	30.18	58.72	22.35	14.22	51.59	43.69	7.49	12.00
DFL3-24	1.5	82.55	93.73	35.71	69.85	25.40	15.75	61.11	50.80	7.49	13.50
DFL3-32	2	96.77	101.60	42.88	77.77	26.16	15.75	72.24	62.74	9.02	13.50
DFL3-40	2.5	108.71	114.30	50.80	88.90	38.10	19.05	84.94	74.93	9.02	13.50
DFL3-48	3	131.06	134.87	61.93	106.38	42.40	22.35	102.39	90.93	9.02	17.50

Web: <https://www.dmejde.com>  
E-mail: [info@dmejde.com](mailto:info@dmejde.com)



## DFL6

Split Flange SAE Code 62

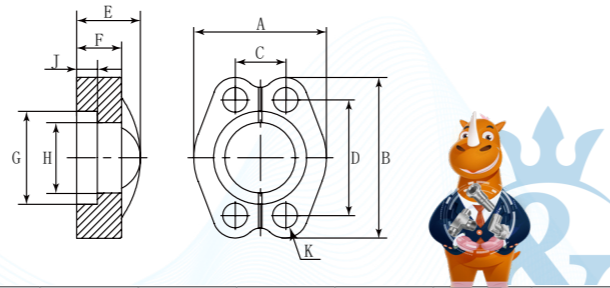
<b>D</b>	<b>FL</b>	<b>6</b>
Company	Product Range	Flange Series
<b>DME</b>	Flange	SAE Code 62

German Technology Equipment

**SHIELD FLEX**

New-Standard

- DME&JDE Code: **DFL6**
- Product Type: **Flange**
- Flange Type: **Split flange**
- Connection Type: **Flange Code 62**



PART NUMBER	Flange Size	A	B	C	D	E	F	G	H	J	K
#		mm	mm	mm	mm	mm	mm	mm	mm	mm	mm
DFL6-08	0.5	47.19	56.39	18.24	40.49	22.35	15.75	32.54	24.64	7.24	9.00
DFL6-12	0.75	59.89	71.37	23.83	50.8	28.45	19.05	42.06	32.51	8.26	11.00
DFL6-16	1	69.44	81.03	27.79	57.15	33.27	23.88	48.41	38.86	9.02	13.00
DFL6-20	1.25	76.96	95.25	31.75	66.68	38.1	26.92	54.76	44.45	9.78	15.00
DFL6-24	1.5	94.95	112.78	36.53	79.38	42.93	30.23	64.29	51.56	12.07	17.00
DFL6-32	2	113.54	133.35	44.45	96.82	52.32	36.58	80.16	67.56	12.07	21.00

Web: <https://www.dmejde.com>  
E-mail: [info@dmejde.com](mailto:info@dmejde.com)



## DFL3BP

4 Bolt Thread Flange, BSPP Female Code 61

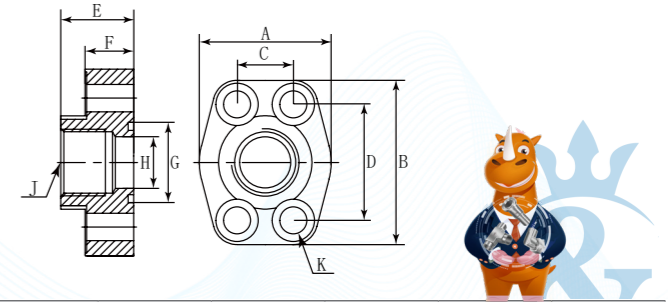
<b>D</b>	<b>FL</b>	<b>3</b>	<b>BP</b>
Company	Product Range	Flange Series	Thread types
<b>DME</b>	Flange	SAE Code 61	BSPP

German Technology Equipment

**SHIELD FLEX**

New-Standard

- DME&JDE Code: **DFL3BP**
- Product Type: **Flange**
- Flange Type: **4 bolt thread captive flange**
- Connection Type: **Flange Code 61**
- Thread Types: **BSPP female**



PART NUMBER	A	B	C	D	E	F	G	H	J (Thread)
#	BSP	Inch	mm	mm	mm	mm	mm	mm	BSPP
DFL3BP-08	46	54.1	17.48	38.1	36.1	16	25.4	12.7	1/2"-14
DFL3BP-12	51.6	65	22.23	47.63	36	18	31.75	19.1	3/4"-14
DFL3BP-16	57.9	70	26.19	52.37	38	18	39.62	25.45	1"-11
DFL3BP-20	72.3	79	30.18	58.72	41	21	44.45	31.8	1-1/4"-11
DFL3BP-24	81.8	93.5	35.71	69.85	45	25	53.72	38.15	1-1/2"-11
DFL3BP-32	95.3	101.6	42.88	77.77	45	25	63.25	50.85	2"-11

Web: <https://www.dmejde.com>  
E-mail: [info@dmejde.com](mailto:info@dmejde.com)



## DFL6BP

4 Bolt Thread Flange, BSPP Female Code 62

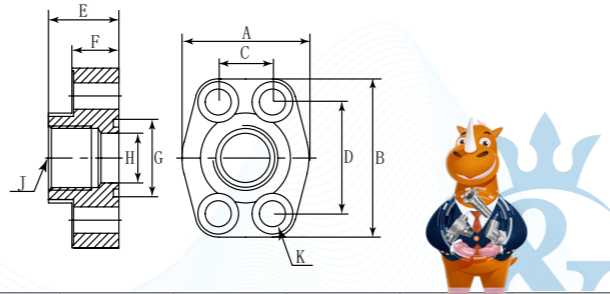
<b>D</b>	<b>FL</b>	<b>6</b>	<b>BP</b>
Company	Product Range	Flange Series	Thread types
<b>DME</b>	Flange	SAE Code 62	BSPP

German Technology Equipment

**SHIELD FLEX**

New-Standard

- DME&JDE Code: **DFL6BP**
- Product Type: **Flange**
- Flange Type: **4 bolt thread captive flange**
- Connection Type: **Female Code 62**
- Thread Types: **BSPP female**



PART NUMBER	A	B	C	D	E	F	G	H	J (Thread)
#	BSP	Inch	mm	mm	mm	mm	mm	mm	BSPP
DFL6BP-08	46	56.1	18.24	40.49	36.1	16	25.4	12.75	1/2"-14
DFL6BP-12	60	71	23.8	50.8	35	21	31.75	19.1	3/4"-14
DFL6BP-16	70	81	27.76	57.15	42	25	39.62	25.45	1"-11
DFL6BP-20	78	95	31.75	66.68	45	27	44.45	31.8	1-1/4"-11
DFL6BP-24	95	112.5	36.5	79.38	50	30	53.72	38.1	1-1/2"-11
DFL6BP-32	114	132.5	44.45	96.82	65	37	63.25	50.85	2"-11

## DFLB3

Blind Flanges Zero Pressure SAE Code 61

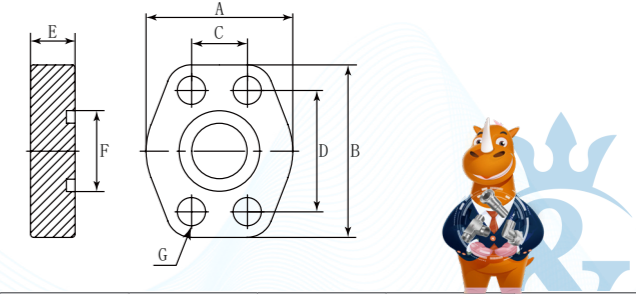
<b>D</b>	<b>FL</b>	<b>B</b>	<b>3</b>
Company	Product Range	Flange Series	Flange Series
<b>DME</b>	Flange	Blind	SAE Code 61

German Technology Equipment

**SHIELD FLEX**

New-Standard

- DME&JDE Code: **DFLB3**
- Product Type: **Flange**
- Flange Type: **Blind flange**
- Connection Type: **Flange Code 61**



PART NUMBER	A	B	C	D	E	F	G	Cross Number
#	mm	mm	mm	mm	mm	mm	mm	
DFLB3-08	46	54.1	17.48	38.1	14	25.4	9	AX3-08
DFLB3-12	52.32	65.02	22.23	47.63	14	31.75	11	AX3-12
DFLB3-16	58.67	69.85	26.19	52.4	16	39.62	11	AX3-16
DFLB3-20	73.15	79.25	30.18	58.76	14	44.45	12	AX3-20
DFLB3-24	82.55	93.73	35.71	69.85	16	53.72	13.49	AX3-24
DFLB3-32	96.77	101.6	42.88	77.8	16	63.25	13.49	AX3-32
DFLB3-40	108.71	114.3	50.8	88.9	19	76.07	13.49	AX3-40
DFLB3-48	131.06	134.87	61.93	106.38	22	91.82	17.5	AX3-48





## DFLB6

Blind Flanges Zero Pressure SAE Code 62

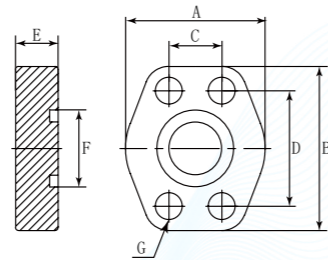
<b>D</b>	<b>FL</b>	<b>B</b>	<b>6</b>
Company	Product Range	Flange Type	Flange Series
<b>DME</b>	Flange	Blind	SAE Code 62

German Technology Equipment

**SHIELD FLEX**

New-Standard

- DME&JDE Code: **DFLB6**
- Product Type: **Flange**
- Flange Type: **Blind flange**
- Connection Type: **Flange Code 62**



PART NUMBER	A	B	C	D	E	F	G	Cross Number
#	mm	mm	mm	mm	mm	mm	mm	
DFLB6-08	49.3	56.5	18.2	40.5	14	25.5	9	AX6-08
DFLB6-12	63.5	71.37	23.8	50.8	19	31.75	11	AX6-12
DFLB6-16	69.85	81.03	27.76	57.15	24	39.62	13	AX6-16
DFLB6-20	77.72	95.25	31.75	66.68	27	44.45	15	AX6-20
DFLB6-24	95.25	112.78	36.5	79.38	30	53.72	17	AX6-24
DFLB6-32	114.3	133.35	44.45	96.82	37	63.25	21	AX6-32

## DFLBP3

Blind Flanges Low Pressure SAE Code 61

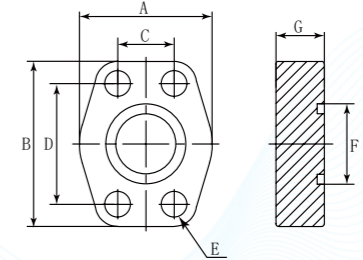
<b>D</b>	<b>FL</b>	<b>B</b>	<b>P</b>	<b>3</b>
Company	Product Range	Flange Type	Flange Pressure Type	Flange Series
<b>DME</b>	Flange	Blind	Low Pressure	SAE Code 61

German Technology Equipment

**SHIELD FLEX**

New-Standard

- DME&JDE Code: **DFLBP3**
- Product Type: **Flange**
- Flange Type: **Blind flange**
- Connection Type: **Flange Code 61**



PART NUMBER	A	B	C	D	E	F	G	Cross Number
#	mm	mm	mm	mm	mm	mm	mm	
DFLBP3-08	46	54.1	17.48	38.1	14	25.4	19.05	
DFLBP3-12	52.4	65.1	22.23	47.63	11	31.75	19.05	
DFLBP3-16	58.75	69.85	26.19	52.4	11	39.62	22.35	
DFLBP3-20	73.03	79.38	30.18	58.76	12	44.45	23.88	
DFLBP3-24	82.55	93.68	35.71	69.85	13.5	53.72	30.23	
DFLBP3-32	96.85	101.6	42.88	77.8	13.5	63.25	36.58	



## DFLBP6

Blind Flanges Low Pressure SAE Code 62

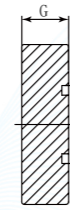
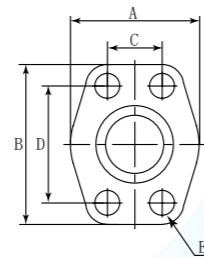
<b>D</b>	<b>FL</b>	<b>B</b>	<b>P</b>	<b>6</b>
Company <b>DME</b>	Product Range Flange	Flange Type Blind	Flange Pressure Type Low Pressure	Flange Series SAE Code 62

German Technology Equipment

**SHIELD FLEX**

New-Standard

DME&JDE Code:	DFLBP6
Product Type:	Flange
Flange Type:	Blind flange
Connection Type:	Flange Code 62



PART NUMBER	A	B	C	D	E	F	G
#	mm	mm	mm	mm	mm	mm	mm
DFLBP6-08	49.3	56.5	18.2	40.5	14	25.5	31.75
DFLBP6-12	63.5	74.93	23.8	50.8	11	31.75	31.75
DFLBP6-16	69.85	81.03	27.76	57.15	13	39.62	38.1
DFLBP6-20	77.72	95.25	31.75	66.68	15	44.45	39.75
DFLBP6-24	95.25	112.78	36.5	79.38	17	53.72	46.1
DFLBP6-32	114.3	133.35	44.45	96.82	21	63.25	46.1

## DAJCM1334

Straight JIC Male 74° – Flange SAE Code 61

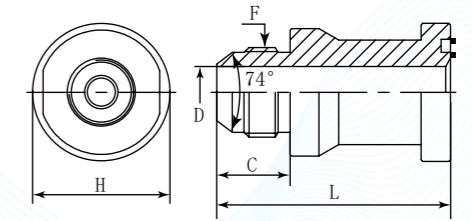
<b>D</b>	<b>A</b>	<b>JC</b>	<b>M</b>	<b>1</b>	<b>3</b>	<b>3</b>	<b>4</b>
Company <b>DME</b>	Product Range Adaptor	Flange Types JIC	Connection Type Male	Adaptor Structure Straight	Adaptor Type Flange	Flange Series SAE Code 61	Flange Head Type Slip Flange Head

German Technology Equipment

**SHIELD FLEX**

New-Standard

DME&JDE Code:	DAJCM1334
Product Type:	Hydraulic adaptor, Flange
Standard:	JIC
Structure:	Straight
Connection Types:	Male × Flange SAE Code 61
Thread Types:	JIC 74° Cone × SAE Code 61 Flange

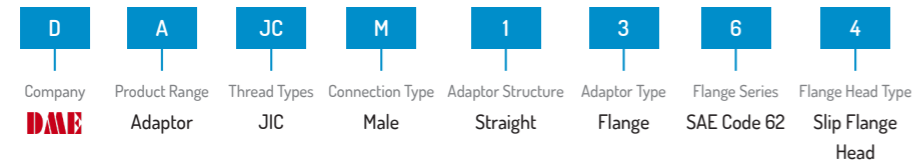


PART NUMBER	F (Thread)	C	D	L	S
#	UNF	mm	mm	mm	mm
DAJCM1334-0808	3/4"-16	16.69	10	66.04	28.5
DAJCM1334-0812	3/4"-16	16.69	10	69.85	34.85
DAJCM1334-1212	1-1/16"-12	21.95	15.52	69.85	34.85
DAJCM1334-1216	1-1/16"-12	21.95	15.52	71.12	41.2
DAJCM1334-1220	1-1/16"-12	21.95	15.52	69.93	44.37
DAJCM1334-1224	1-1/16"-12	21.95	15.52	83.34	53.9
DAJCM1334-1616	1-5/16"-12	23.14	21.44	71.12	41.2
DAJCM1334-1620	1-5/16"-12	23.14	21.44	71.12	44.37
DAJCM1334-1624	1-5/16"-12	23.14	21.44	84.53	53.9
DAJCM1334-1632	1-5/16"-12	23.14	21.44	90.25	66.6
DAJCM1334-2020	1-5/8"-12	24.3	27.38	71.1	44.37
DAJCM1334-2032	1-5/8"-12	24.33	27.38	91.44	66.6
DAJCM1334-2420	1-7/8"-12	27.51	33.48	86.36	47.55
DAJCM1334-2424	1-7/8"-12	27.51	33.48	88.9	53.9
DAJCM1334-2432	1-7/8"-12	27.51	33.48	94.62	66.6
DAJCM1334-3224	2-1/2"-12	33.86	38.1	106.68	66.6
DAJCM1334-3232	2-1/2"-12	33.86	45.24	100.97	66.6

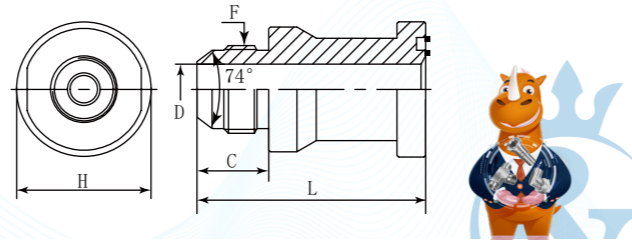


## DAJCM1364

Straight Connector JIC Male – Flange SAE Code 62



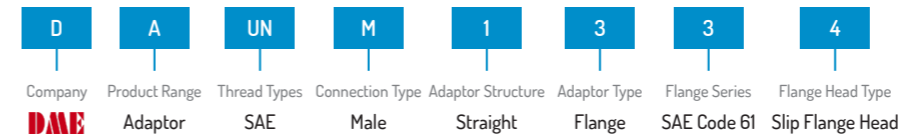
- DME&JDE Code: **DAJCM1364**
- Product Type: **Hydraulic adaptor, Flange**
- Standard: **JIC**
- Structure: **Straight**
- Connection Types: **Male × Flange SAE Code 62**
- Thread Types: **UNF 74° Cone × SAE Code 62 Flange**



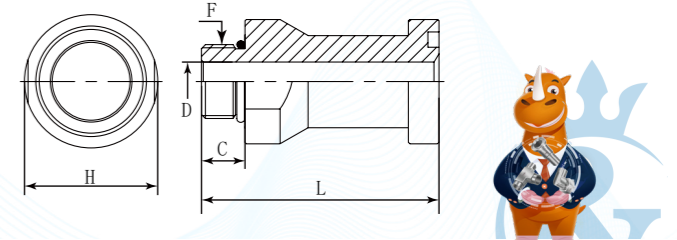
PART NUMBER	F (Thread)	C	D	L	S
#	UNF	mm	mm	mm	mm
DAJCM1364-0808	3/4"-16	16.69	10.82	66.19	28.5
DAJCM1364-0812	3/4"-16	16.69	10.82	56.64	34.85
DAJCM1364-1212	1-1/16"-12	21.95	15.52	69.85	34.85
DAJCM1364-1216	1-1/16"-12	21.95	15.52	71.12	41.2
DAJCM1364-1612	1-5/16"-12	23.1	15.52	69.9	34.85
DAJCM1364-1616	1-5/16"-12	23.1	21.44	71.1	41.2
DAJCM1364-1620	1-5/16"-12	23.14	21.44	77.47	44.37
DAJCM1364-1624	1-5/16"-12	23.14	21.44	87.71	53.9
DAJCM1364-2016	1-5/8"-12	24.33	27.38	71.12	41.2
DAJCM1364-2020	1-5/8"-12	24.3	27.38	77.5	44.37
DAJCM1364-2024	1-5/8"-12	24.33	27.38	88.9	53.9
DAJCM1364-2420	1-7/8"-12	27.5	27.38	83.8	47.55
DAJCM1364-2424	1-7/8"-12	27.51	33.48	88.9	53.9
DAJCM1364-2432	1-7/8"-12	27.51	33.48	100.97	66.6
DAJCM1364-3224	2-1/2"-12	33.86	38.1	125.48	66.6
DAJCM1364-3232	2-1/2"-12	33.86	45.24	107.32	66.6

## DAUNM1334

Straight Connector SAE Male + O Ring – Flange SAE Code 61



- DME&JDE Code: **DAUNM1334**
- Product Type: **Hydraulic adaptor, Flange**
- Standard: **Straight**
- Connection Types: **Male × Flange SAE Code 61**
- Thread Types: **UNF + O Ring × SAE Code 61 Flange**
- Sealing Method: **O Ring**



PART NUMBER	F (Thread)	C	D	L	H
#	UNF	mm	mm	mm	mm
DAUNM1334-0808	3/4"-16	14	10.72	63.2	28.5
DAUNM1334-1212	1-1/16"-12	18.49	16.66	66.4	34.85
DAUNM1334-1616	1-5/16"-12	18.49	22.23	66.4	41.2
DAUNM1334-2020	1-5/8"-12	18.49	27.76	79.6	47.55
DAUNM1334-2424	1-7/8"-12	18.49	34.14	79.86	53.9
DAUNM1334-3232	2-1/2"-12	18.49	46.05	92.3	69.77



## DAUNM1364

Straight Connector SAE Male + O Ring – Flange SAE Code 62

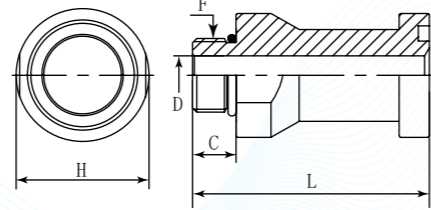
German Technology Equipment



New-Standard

- D** Company: **DME**
- A** Product Range: Adaptor
- UN** Thread Types: SAE
- M** Connection Type: Male
- 1** Adaptor Structure: Straight
- 3** Adaptor Type: Flange
- 6** Flange Series: SAE Code 62
- 4** Flange Head Type: Slip Flange Head

- DME&JDE Code:** DAUNM1364
- Product Type:** Hydraulic adaptor, Flange
- Standard:** SAE
- Structure:** Straight
- Connection Types:** Male x Flange SAE Code 62
- Thread Types:** UNF + O Ring x SAE Code 62 Flange



PART NUMBER	F (Thread)	C	D	L	H
#	UNF	mm	mm	mm	mm
DAUNM1364-0808	3/4"-16	14	9.93	63.5	28.5
DAUNM1364-1212	1-1/16"-12	18.49	15.47	66.55	34.85
DAUNM1364-1612	1-5/16"-12	18.49	15.52	66.6	34.85
DAUNM1364-1616	1-5/16"-12	18.49	21.44	66.6	41.2
DAUNM1364-2020	1-5/8"-12	18.49	27.38	76.2	47.55
DAUNM1364-2424	1-7/8"-12	18.49	33.32	81.03	53.9
DAUNM1364-3232	2-1/2"-12	18.49	45.24	95.25	69.77



## DAOF51334

Straight Connector ORFS Male – Flange SAE Code 61

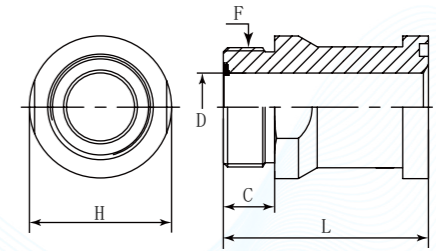
German Technology Equipment



New-Standard

- D** Company: **DME**
- A** Product Range: Adaptor
- OF** Thread Types: ORFS
- 5** Connection Type: Male
- 1** Adaptor Structure: Straight
- 3** Adaptor Type: Flange
- 3** Flange Series: SAE Code 61
- 4** Flange Head Type: Slip Flange Head

- DME&JDE Code:** DAOF51334
- Product Type:** Hydraulic adaptor, Flange
- Standard:** ORFS
- Structure:** Straight
- Connection Types:** Male x Flange SAE Code 61
- Thread Types:** UNF x SAE Code 61 Flange



PART NUMBER	F (Thread)	C	D	L	H
#	UNF	mm	mm	mm	mm
DAOF51334-0808	13/16"-16	13	9.5	62.35	28.5
DAOF51334-1212	1-3/16"-12	16.99	15.49	69.85	34.85
DAOF51334-1216	1-3/16"-12	16.99	15.49	71.12	41.2
DAOF51334-1612	1-7/16"-12	17.5	15.49	69.85	41.2
DAOF51334-1616	1-7/16"-12	17.5	20.6	71.1	41.2
DAOF51334-1620	1-7/16"-12	17.5	20.5	71.1	44.37
DAOF51334-2020	1-11/16"-12	17.5	26	64.3	44.37
DAOF51334-2024	1-11/16"-12	17.5	26	88.9	53.9
DAOF51334-2424	2"-12	17.5	32	88.9	53.9
DAOF51334-2432	2"-12	17.5	32	84.61	66.6
DAOF51334-3232	1-1/2"-12	22.25	45	89.36	66.6



## DAOF51364

Straight Connector ORFS Male – Flange SAE Code 62

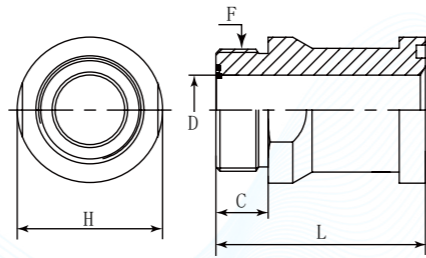
German Technology Equipment

**SHIELD FLEX**

New-Standard

- D  
Company  
**DME**
- A  
Product Range  
Adaptor
- OF  
Thread Types  
ORFS
- 5  
Connection Type  
Male
- 1  
Adaptor Structure  
Straight
- 3  
Adaptor Type  
Flange
- 6  
Flange Series  
SAE Code 62
- 4  
Flange Head Type  
Slip Flange Head

- DME&JDE Code:** DAOF51364
- Product Type:** Hydraulic adaptor, Flange
- Standard:** ORFS
- Structure:** Straight
- Connection Types:** Male × Flange SAE Code 62
- Thread Types:** ORFS UNF × SAE Code 62 Flange



PART NUMBER	F (Thread)	C	D	L	H
#	UNF	mm	mm	mm	mm
DAOF51364-0808	13/16"-16	13	9.5	62.5	28.5
DAOF51364-1212	1-3/16"-12	17.02	15.47	69.9	34.85
DAOF51364-1216	1-3/16"-12	16.99	15.49	71.12	41.2
DAOF51364-1612	1-7/16"-12	17.5	15.47	69.85	41.2
DAOF51364-1616	1-7/16"-12	17.5	20.6	72.6	41.2
DAOF51364-1620	1-7/16"-12	17.5	20.6	77.5	44.37
DAOF51364-2020	1-11/16"-12	17.5	26	77.5	44.37
DAOF51364-2424	2"-12	17.5	32	88.9	53.9
DAOF51364-3232	2-1/2"-12	22.25	45	89.36	66.6



## DABPM1334

Straight Connector BSPP Male 60° – Flange SAE Code 61

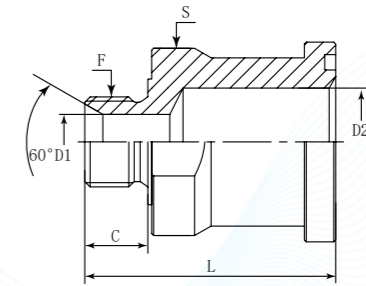
German Technology Equipment

**SHIELD FLEX**

New-Standard

- D  
Company  
**DME**
- A  
Product Range  
Adaptor
- BP  
Thread Types  
BSPP
- M  
Connection Type  
Male
- 1  
Adaptor Structure  
Straight
- 3  
Adaptor Type  
Flange
- 3  
Flange Series  
SAE Code 61
- 4  
Flange Head Type  
Slip Flange Head

- DME&JDE Code:** DABPM1334
- Product Type:** Hydraulic adaptor, Flange
- Standard:** BSPP
- Structure:** Straight
- Connection Types:** Male × Flange SAE Code 61
- Thread Types:** BSPP 60° Cone × SAE Code 61 Flange



PART NUMBER	F (Thread)	C	D1	D2	L	S
#	BSPP	mm	mm	mm	mm	mm
DABPM1334-0808	1/2"-14	14	10	10	64.35	29
DABPM1334-1212	3/4"-14	16	16.7	16.7	64.9	32
DABPM1334-1220	3/4"-14	16	16.7	27.38	53.8	50
DABPM1334-1616	1"-11	19	22.2	22.2	68	41
DABPM1334-2020	1-1/4"-11	20	28.6	28.6	67.8	50
DABPM1334-2424	1-1/2"-11	22	33.3	33.3	84.4	55
DABPM1334-3232	2"-11	25	46	46	92.1	67
DABPM1334-3240	2"-11	25	46	46	95	70



## DABPM1364

Straight Connector BSPP Male 60° – Flange SAE Code 62

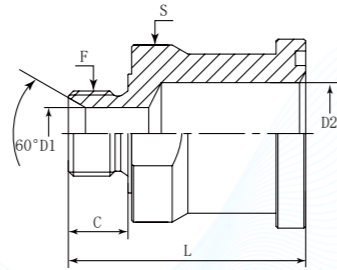
German Technology Equipment

**SHIELD FLEX**

New-Standard

- D** Company: **DME**
- A** Product Range: Adaptor
- BP** Thread Types: BSPP
- M** Connection Type: Male
- 1** Adaptor Structure: Straight
- 3** Adaptor Type: Flange
- 6** Flange Series: SAE Code 62
- 4** Flange Head Type: Slip Flange Head

- DME&JDE Code:** DABPM1364
- Product Type:** Hydraulic adaptor, Flange
- Standard:** BSPP
- Structure:** Straight
- Connection Types:** Male × Flange SAE Code 62
- Thread Types:** BSPP 60° Cone × SAE Code 62 Flange



PART NUMBER	F (Thread)	C	D1	D2	L	S
#	BSPP	mm	mm	mm	mm	mm
DABPM1364-0808	1/2"-14	14	10	10	64.35	28.5
DABPM1364-1212	3/4"-14	16	16.7	16.7	63.9	34.85
DABPM1364-1220	3/4"-14	16	16.7	27.38	70.2	44.37
DABPM1364-1616	1"-11	19	22.2	22.2	68	41.2
DABPM1364-2020	1-1/4"-11	20	28.6	28.6	74.2	50
DABPM1364-2424	1-1/2"-11	22	33.3	33.3	86.6	55
DABPM1364-3232	2"-11	25	46	46	99.5	67
DABPM1364-3240	2"-11	25	46	46	95	70

Web: <https://www.dmejde.com>  
E-mail: [info@dmejde.com](mailto:info@dmejde.com)



## DFLOP3

SAE Flange Plug with O Ring Code 61

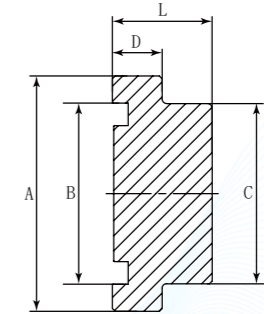
German Technology Equipment

**SHIELD FLEX**

New-Standard

- D** Company: **DME**
- FL** Product Range: Flange
- OP** Flange Type: Plug with O Ring
- 3** Flange Series: Code 61

- DME&JDE Code:** DFLOP3
- Product Type:** Flange
- Flange Type:** Plug with O Ring flange
- Connection Type:** Flange Code 61



PART NUMBER	A	B	C	D	L
#	mm	mm	mm	mm	mm
DFLOP3-08	30.2	25.4	24	6.8	16
DFLOP3-12	38.1	31.75	31.75	6.73	14.22
DFLOP3-16	44.45	39.62	37.97	8	14.22
DFLOP3-20	50.8	44.45	43.05	8	14.22
DFLOP3-24	60.33	53.72	50.17	8	15.75
DFLOP3-32	71.42	63.25	62.2	9.53	15.75
DFLOP3-40	84.1	75.3	74	9.6	40

Web: <https://www.dmejde.com>  
E-mail: [info@dmejde.com](mailto:info@dmejde.com)





## DFLOP6

SAE Flange Plug with O Ring Code 62

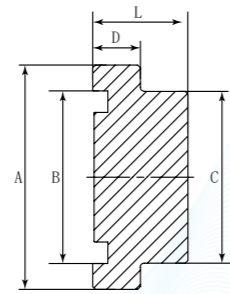
<b>D</b>	<b>FL</b>	<b>OP</b>	<b>6</b>
Company	Product Range	Flange Type	Flange Series
<b>DME</b>	Flange	Plug with O Ring	Code 62

German Technology Equipment

**SHIELD FLEX**

New-Standard

- DME&JDE Code: **DFLOP6**
- Product Type: **Flange**
- Flange Type: **Plug with O Ring flange**
- Connection Type: **Flange Code 61**



PART NUMBER	A	B	C	D	L
#	mm	mm	mm	mm	mm
DFLOP6-08	31.8	25.4	24	7.8	18
DFLOP6-12	41.28	31.75	31.75	8.76	17.53
DFLOP6-16	47.63	39.62	38.1	9.53	20.57
DFLOP6-20	53.98	44.45	43.6	10.29	25.4
DFLOP6-24	63.5	53.72	50.55	12.57	30.23
DFLOP6-32	79.38	63.25	66.42	12.57	38.1



## DAJCM4334

45° Forged Elbows JIC Male 74° – Flange SAE Code 61

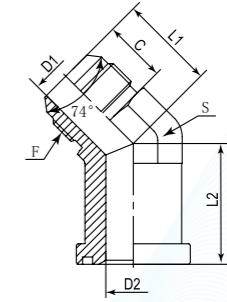
<b>D</b>	<b>A</b>	<b>JC</b>	<b>M</b>	<b>4</b>	<b>3</b>	<b>3</b>	<b>4</b>
Company	Product Range	Thread Types	Connection Type	Adaptor Structure	Adaptor Type	Flange Series	Flange Head Type
<b>DME</b>	Adaptor	JIC	Male	45° Elbow	Flange	SAE Code 61	Slip Flange Head

German Technology Equipment

**SHIELD FLEX**

New-Standard

- DME&JDE Code: **DAJCM4334**
- Product Type: **Hydraulic adaptor, Flange**
- Standard: **JIC**
- Structure: **45° Forged Elbow**
- Connection Types: **Male × Flange SAE Code 61**
- Thread Types: **JIC 74° Cone × SAE Code 61 Flange**



PART NUMBER	F (Thread)	C	D1	D2	L1	L2	S
#	UNF	mm	mm	mm	mm	mm	mm
DAJCM4334-1212	1-1/16"-12	29.50	33.48	33.48	45.00	60.50	47.63
DAJCM4334-1216	1-1/16"-12	24.33	15.52	21.44	37.30	47.00	33.30
DAJCM4334-1616	1-5/16"-12	24.33	21.44	21.44	37.30	47.00	33.30
DAJCM4334-1624	1-5/16"-12	24.33	21.44	33.48	41.50	60.50	47.63
DAJCM4334-2020	1-5/8"-12	25.00	27.38	27.38	40.38	51.82	41.28
DAJCM4334-2424	1-7/8"-12	29.50	33.48	33.48	45.00	60.50	47.63
DAJCM4334-3232	2-1/2"-12	35.00	45.24	45.24	56.39	76.20	63.50



## DAJCM4334-B

45° Swept Elbows JIC Male 74° – Flange SAE Code 61

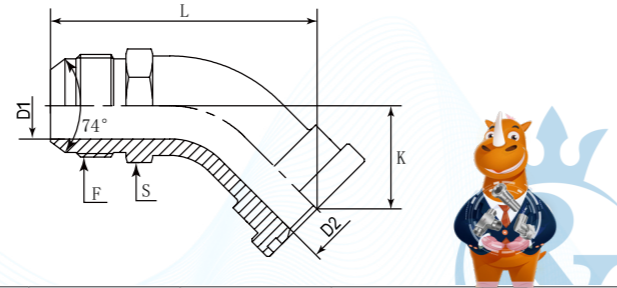
<b>D</b>	<b>A</b>	<b>JC</b>	<b>M</b>	<b>4</b>	<b>3</b>	<b>3</b>	<b>4</b>	<b>B</b>
Company	Product Range	Thread Types	Connection Type	Adaptor Structure	Adaptor Type	Flange Series	Flange Head Type	Elbow Type
<b>DME</b>	Adaptor	JIC	Male	45° Elbow	Flange	SAE Code 61	Slip Flange Head	Swept

German Technology Equipment

**SHIELD FLEX**

New-Standard

- DME&JDE Code: **DAJCM4334-B**
- Product Type: **Hydraulic adaptor, Flange**
- Standard: **JIC**
- Structure: **45° Swept Elbows**
- Connection Types: **Male x Flange SAE Code 61**
- Thread Types: **JIC 74° Cone x SAE Code 61 Flange**



PART NUMBER	F (Thread)	D1	D2	L	K	S
#	UNF	mm	mm	mm	mm	mm
DAJCM4334-0808B	3/4"-16	9.3	9.3	78	25	22.23
DAJCM4334-1212B	1-1/16"-12	15.52	15.52	80	26	28.58
DAJCM4334-1216B	1-1/16"-12	15.52	15.52	109	31.5	28.58
DAJCM4334-1612B	1-5/16"-12	15.52	15.52	112	31.5	34.93
DAJCM4334-1616B	1-5/16"-12	21	21	114.5	33.5	34.93
DAJCM4334-1620B	1-5/16"-12	21	21	123.2	35.4	34.93
DAJCM4334-2016B	1-5/8"-12	21	21	98	31	42.86
DAJCM4334-2024B	1-5/8"-12	27.38	27.38	108	37	42.86
DAJCM4334-3224B	2-1/2"-12	33.48	33.48	158	55	70
DAJCM4334-3232B	2-1/2"-12	45.24	45.24	158	56	70

Web: <https://www.dmejde.com>  
E-mail: [info@dmejde.com](mailto:info@dmejde.com)



## DAJCM4364

45° Forged Elbow JIC Male 74° – Flange SAE Code 62

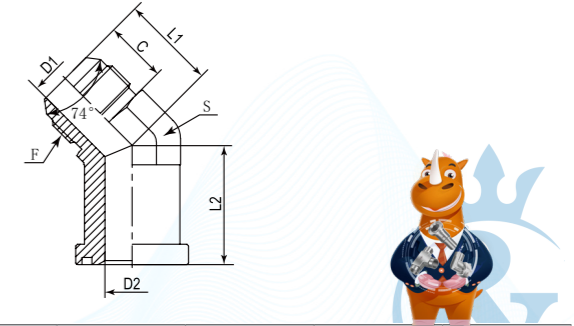
<b>D</b>	<b>A</b>	<b>JC</b>	<b>M</b>	<b>4</b>	<b>3</b>	<b>6</b>	<b>4</b>
Company	Product Range	Thread Types	Connection Type	Adaptor Structure	Adaptor Type	Flange Series	Flange Head Type
<b>DME</b>	Adaptor	JIC	Male	45° Elbow	Flange	SAE Code 62	Slip Flange Head

German Technology Equipment

**SHIELD FLEX**

New-Standard

- DME&JDE Code: **DAJCM4364**
- Product Type: **Hydraulic adaptor, Flange**
- Standard: **JIC**
- Structure: **45° Forged Elbow**
- Connection Types: **Male x Flange SAE Code 62**
- Thread Types: **JIC 74° Cone x SAE Code 62 Flange**



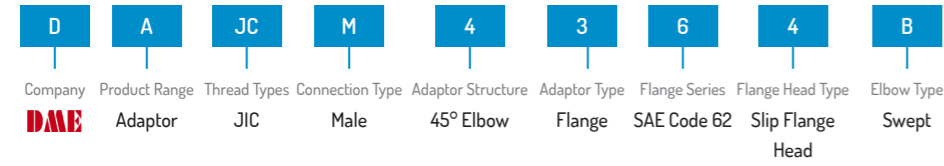
PART NUMBER	F (Thread)	C	D1	D2	L1	L2	S
#	UNF	mm	mm	mm	mm	mm	mm
DAJCM4364-1212	1-1/16"-12	24.5	15.52	15.52	32.5	40.5	27
DAJCM4364-1616	1-5/16"-12	23.14	21.44	21.44	38	47	33.3
DAJCM4364-2020	1-5/8"-12	25	27.38	27.38	40.4	51.8	41.28
DAJCM4364-2424	1-7/8"-12	29.5	33.48	33.48	45	60.5	47.63
DAJCM4364-3232	2-1/2"-12	35	45.24	45.24	56.39	76.5	63.5

Web: <https://www.dmejde.com>  
E-mail: [info@dmejde.com](mailto:info@dmejde.com)

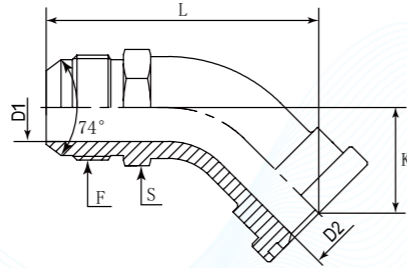


## DAJCM4364-B

45° Swept Elbow JIC Male 74° – Flange SAE Code 62



- DME&JDE Code: DAJCM4364-B
- Product Type: Hydraulic adaptor, Flange
- Standard: JIC
- Structure: 45° Swept Elbow
- Connection Types: Male x Flange SAE Code 62
- Thread Types: JIC 74° Cone x SAE Code 62 Flange

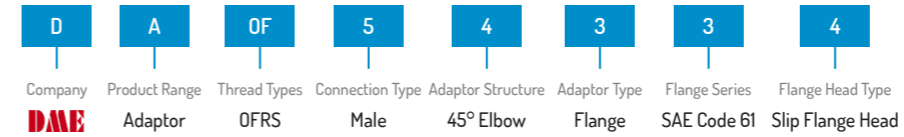


PART NUMBER	F (Thread)	D1	D2	L	K	S
#	UNF	mm	mm	mm	mm	mm
DAJCM4364-1212B	1-1/16"-12	15.5	15.5	85	29	28.58
DAJCM4364-1220B	1-1/16"-12	15.47	15.47	95	42	28.57
DAJCM4364-1616B	1-5/16"-12	20	20	105	42	34.93
DAJCM4364-1620B	1-5/16"-12	21	21	118.6	44	34.93
DAJCM4364-1624B	1-5/16"-12	21.44	21.44	105	41	34.93
DAJCM4364-2016B	1-5/8"-12	20	20	122	42	42.86
DAJCM4364-2020B	1-5/8"-12	26	26	126	44	42.86
DAJCM4364-2024B	1-5/8"-12	27.38	27.38	118	46	42.86
DAJCM4364-2420B	1-7/8"-12	26	26	125	36	50.8

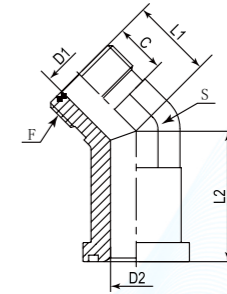


## DAOF54334

45° Forged Elbows ORFS Male – Flange SAE Code 61



- DME&JDE Code: DAOF54334
- Product Type: Hydraulic adaptor, Flange
- Standard: ORFS
- Structure: 45° Elbow
- Connection Types: Male x Flange SAE Code 61
- Thread Types: ORFS UNF x SAE Code 61 Flange



PART NUMBER	F1 (Thread)	C	D1	D2	L1	L2	S
#	UNF	mm	mm	mm	mm	mm	mm
DAOF54334-1212	1-3/16"-12	17.02	15.5	15.5	32.51	40.13	30.18
DAOF54334-1616	1-7/16"-12	17.5	20.6	20.6	38	47	33.3
DAOF54334-2020	1-11/16"-12	17.5	26	26	40	52	41.27
DAOF54334-2424	2"-12	17.5	32	32	45.2	60.5	47.63
DAOF54334-3232	2-1/2"-12	22.25	45	45	46	76.5	63.5





## DAOF54364

45° Forged Elbows ORFS Male – Flange SAE Code 62

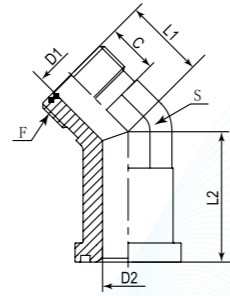
D	A	OF	5	4	3	6	4
Company	Product Range	Thread Types	Connection Type	Adaptor Structure	Adaptor Type	Flange Series	Flange Head Type
<b>DME</b>	Adaptor	ORFS	Male	45° Elbow	Flange	SAE Code 62	Slip Flange Head

German Technology Equipment

**SHIELD FLEX**

New-Standard

- DME&JDE Code: **DAOF54364**
- Product Type: **Hydraulic adaptor, Flange**
- Standard: **ORFS**
- Structure: **45° Swept Elbows**
- Connection Types: **Male × Flange SAE Code 62**
- Thread Types: **ORFS UNF × SAE Code 62 Flange**



PART NUMBER	F1 (Thread)	C	D1	D2	L1	L2	S
#	UNF	mm	mm	mm	mm	mm	mm
DAOF54364-1212	1-3/16"-12	17.02	15.5	15.5	32.51	40.13	30.18
DAOF54364-1616	1-7/16"-12	17.5	20.6	20.6	37.3	47	33.35
DAOF54364-2020	1-11/16"-12	17.5	26	26	40	52	41.27
DAOF54364-2424	2"-12	29.5	32	32	45.2	60.5	47.63
DAOF54364-3232	2-1/2"-12	22.25	45	45	46	76.5	63.5

Web: <https://www.dmejde.com>  
E-mail: [info@dmejde.com](mailto:info@dmejde.com)



## DAJCM9334

90° Forged Elbow JIC Male 74° – Flange SAE Code 61

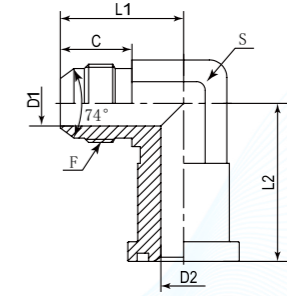
D	A	JC	M	9	3	3	4
Company	Product Range	Thread Types	Connection Type	Adaptor Structure	Adaptor Type	Flange Series	Flange Head Type
<b>DME</b>	Adaptor	JIC	Male	90° Elbow	Flange	SAE Code 61	Slip Flange Head

German Technology Equipment

**SHIELD FLEX**

New-Standard

- DME&JDE Code: **DAJCM9334**
- Product Type: **Hydraulic adaptor, Flange**
- Standard: **JIC**
- Structure: **90° Forged Elbow**
- Connection Types: **Male × Flange SAE Code 61**
- Thread Types: **JIC 74° Cone × SAE Code 61 Flange**



PART NUMBER	F (Thread)	C	D1	D2	L1	L2	S
#	UNF	mm	mm	mm	mm	mm	mm
DAJCM9334-0808	3/4"-16	16.7	10	10	37.08	54.1	22.23
DAJCM9334-0812	3/4"-16	24.5	10.01	15.52	42.16	54.1	27
DAJCM9334-1212	1-1/16"-12	24.5	15.52	15.52	42.16	54.1	26.97
DAJCM9334-1216	1-1/16"-12	24.5	15.52	21.44	46	60.2	33.33
DAJCM9334-1220	1-1/16"-12	24.5	15.52	27.38	50.04	66.55	41.28
DAJCM9334-1224	1-1/16"-12	29.5	15.52	33.48	59.2	80	47.63
DAJCM9334-1612	1-5/16"-12	24.5	15.52	15.52	42.2	54.1	27
DAJCM9334-1616	1-5/16"-12	24.33	21.44	21.44	45.97	60.2	33.33
DAJCM9334-1620	1-5/16"-12	24.33	21.44	27.38	52.32	66.55	41.27
DAJCM9334-1624	1-5/16"-12	25	21.44	33.48	59.18	80.01	47.63
DAJCM9334-2016	1-5/8"-12	24.33	21.44	21.44	45.97	60.2	33.35
DAJCM9334-2020	1-5/8"-12	25	27.38	27.38	52.32	66.55	41.28
DAJCM9334-2024	1-5/8"-12	29.5	27.38	33.48	59.2	80	47.6
DAJCM9334-2420	1-7/8"-12	27.5	27.38	27.38	52.3	66.6	41.27
DAJCM9334-2424	1-7/8"-12	29.5	33.48	33.48	59.18	80	47.63
DAJCM9334-2432	1-7/8"-12	35	33.48	45.24	77.7	107.95	63.5
DAJCM9334-3224	2-1/2"-12	33.9	33.48	33.48	65.5	80	47.6
DAJCM9334-3232	2-1/2"-12	35	45.24	45.24	77.72	107.95	63.5
DAJCM9334-3240	2-1/2"-12	33.86	45.24	45.24	77.72	107.95	63.5

Web: <https://www.dmejde.com>  
E-mail: [info@dmejde.com](mailto:info@dmejde.com)



## DAJCM9364

90° Forged Elbow JIC Male 74° – Flange SAE Code 62

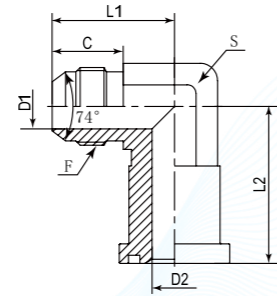
<b>D</b>	<b>A</b>	<b>JC</b>	<b>M</b>	<b>9</b>	<b>3</b>	<b>6</b>	<b>4</b>
Company	Product Range	Thread Types	Connection Type	Adaptor Structure	Adaptor Type	Flange Series	Flange Head Type
<b>DME</b>	Adaptor	JIC	Male	90° Elbow	Flange	SAE Code 62	Slip Flange Head

German Technology Equipment

**SHIELD FLEX**

New-Standard

- DME&JDE Code: **DAJCM9364**
- Product Type: **Hydraulic adaptor, Flange**
- Standard: **JIC**
- Structure: **90° Forged Elbow**
- Connection Types: **Male × Flange SAE Code 62**
- Thread Types: **JIC 74° Cone × SAE Code 62 Flange**



PART NUMBER	F (Thread)	C	D1	D2	L1	L2	S
#	UNF	mm	mm	mm	mm	mm	mm
DAJCM9364-0808	3/4"-16	16.7	10	10	37.1	54.1	22.23
DAJCM9364-0812	3/4"-16	24.5	10	15.52	42.16	54.1	26.97
DAJCM9364-1212	1-1/16"-12	24.5	15.52	15.52	42.16	54.1	27
DAJCM9364-1216	1-1/16"-12	24.4	15.52	21.44	45.97	60.2	33.35
DAJCM9364-1612	1-5/16"-12	24.5	15.52	15.52	42.16	54.1	27
DAJCM9364-1616	1-5/16"-12	23.14	21.44	21.44	45.97	60.2	33.33
DAJCM9364-1620	1-5/16"-12	23.14	21.44	21.44	52.3	70.1	41.27
DAJCM9364-1624	1-5/16"-12	25	21.44	33.48	54.7	80	47.6
DAJCM9364-2016	1-5/8"-12	24.33	21.44	21.44	45.97	60.2	41.27
DAJCM9364-2020	1-5/8"-12	25	27.38	27.38	52.32	70.1	41.28
DAJCM9364-2024	1-5/8"-12	29.5	27.38	33.48	59.2	80	47.6
DAJCM9364-2420	1-7/8"-12	27.51	33	27.38	55.5	70.1	47.6
DAJCM9364-2424	1-7/8"-12	29.5	33.48	33.48	59.18	80.01	47.63
DAJCM9364-2432	1-7/8"-12	35	33.48	45.24	77.7	107.95	63.5
DAJCM9364-3224	2-1/2"-12	35	45.24	33.48	77.72	107.95	63.5
DAJCM9364-3232	2-1/2"-12	35	45.24	45.24	77.7	107.95	63.5

## DAJCM9334-B

90° Swept Elbows JIC Male 74° – Flange SAE Code 61

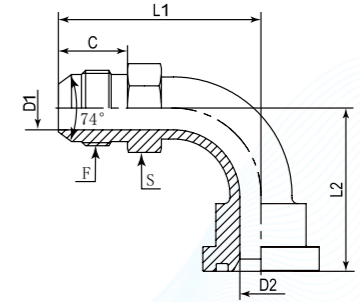
<b>D</b>	<b>A</b>	<b>JC</b>	<b>M</b>	<b>9</b>	<b>3</b>	<b>3</b>	<b>4</b>	<b>B</b>
Company	Product Range	Thread Types	Connection Type	Adaptor Structure	Adaptor Type	Flange Series	Flange Head Type	Elbow Type
<b>DME</b>	Adaptor	JIC	Male	90° Elbow	Flange	SAE Code 61	Slip Flange Head	Swept

German Technology Equipment

**SHIELD FLEX**

New-Standard

- DME&JDE Code: **DAJCM9334-B**
- Product Type: **Hydraulic adaptor, Flange**
- Standard: **JIC**
- Structure: **90° Swept Elbows**
- Connection Types: **Male × Flange SAE Code 61**
- Thread Types: **JIC 74° Cone × SAE Code 61 Flange**



PART NUMBER	F (Thread)	C	D1	D2	L1	L2	S
#	UNF	mm	mm	mm	mm	mm	mm
DAJCM9334-0808B	3/4"-16	16.69	9.3	9.3	60	46	22.23
DAJCM9334-0812B	3/4"-16	16.69	9.3	9.3	60	47	22.23
DAJCM9334-1212B	1-1/16"-12	21.95	15.52	15.52	70	53.8	28.57
DAJCM9334-1216B	1-1/16"-12	21.95	15	15	88	64	28.57
DAJCM9334-1220B	1-1/16"-12	21.95	15	15	90.1	70	28.57
DAJCM9334-1612B	1-5/16"-12	23.14	15.52	15.52	75	53.8	34.93
DAJCM9334-1616B	1-5/16"-12	23.14	21	21	86.1	60	34.93
DAJCM9334-1620B	1-5/16"-12	23.14	20	20	88	67	34.93
DAJCM9334-1624B	1-5/16"-12	23.14	21.44	21.44	88	82.5	34.93
DAJCM9334-2016B	1-5/8"-12	24.33	21.33	21.33	90	66	42.86
DAJCM9334-2020B	1-5/8"-12	24.33	27.38	27.38	98	76	42.93
DAJCM9334-2024B	1-5/8"-12	24.33	27.38	27.38	102	102.11	42.86
DAJCM9334-2424B	1-7/8"-12	27.51	33.32	33.32	116.08	102.11	50.8
DAJCM9334-3232B	2-1/2"-12	35	45.24	45.24	147	123	70



## DAJCM9364-B

90° Swept Elbows JIC Male 74° – Flange SAE Code 62

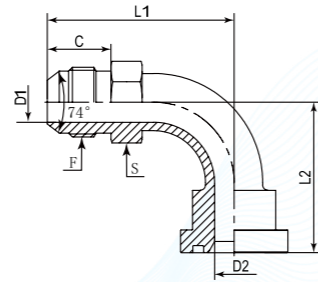
<b>D</b>	<b>A</b>	<b>JC</b>	<b>M</b>	<b>9</b>	<b>3</b>	<b>6</b>	<b>4</b>	<b>B</b>
Company	Product Range	Thread Types	Connection Type	Adaptor Structure	Adaptor Type	Flange Series	Flange Head Type	Elbow Type
<b>DME</b>	Adaptor	JIC	Male	90° Elbow	Flange	SAE Code 62	Slip Flange Head	Swept

German Technology Equipment

**SHIELD FLEX**

New-Standard

- DME&JDE Code: **DAJCM9364-B**
- Product Type: **Hydraulic adaptor, Flange**
- Standard: **JIC**
- Structure: **90° Swept Elbows**
- Connection Types: **Male x Flange SAE Code 62**
- Thread Types: **JIC 74° Cone x SAE Code 62 Flange**



PART NUMBER	F (Thread)	C	D1	D2	L1	L2	S
#	UNF	mm	mm	mm	mm	mm	mm
DAJCM9364-0808B	3/4"-16	16.69	9.3	9.3	60	46	22.23
DAJCM9364-1212B	1-1/16"-12	21.95	15.5	15.5	71.88	57.91	28.58
DAJCM9364-1216B	1-1/16"-12	21.95	15	15	89.1	72.9	28.58
DAJCM9364-1612B	1-5/16"-12	23.14	15.5	15.5	74.42	57.91	34.93
DAJCM9364-1616B	1-5/16"-12	23.14	20	20	86.11	72.9	34.93
DAJCM9364-1620B	1-5/16"-12	23.14	20	20	88	78	34.93
DAJCM9364-1624B	1-5/16"-12	23.14	21.44	21.44	88	83	34.93
DAJCM9364-2016B	1-5/8"-12	24.33	20	20	89.92	72.9	42.86
DAJCM9364-2020B	1-5/8"-12	24.33	26	26	101.09	87.88	42.86
DAJCM9364-2024B	1-5/8"-12	24.33	26	26	110	96	42.86
DAJCM9364-2420B	1-7/8"-12	27.51	26	26	109.98	87.88	50.8
DAJCM9364-2424B	1-7/8"-12	27.51	33.48	33.48	116.08	102.11	50.8
DAJCM9364-2432B	1-7/8"-12	27.51	33.48	33.48	137.5	123	50.8

## DAOF59334

90° Forged Elbow ORFS Male – Flange SAE Code 61

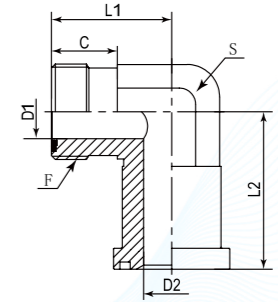
<b>D</b>	<b>A</b>	<b>OF</b>	<b>5</b>	<b>9</b>	<b>3</b>	<b>3</b>	<b>4</b>
Company	Product Range	Thread Types	Connection Type	Adaptor Structure	Adaptor Type	Flange Series	Flange Head Type
<b>DME</b>	Adaptor	ORFS	Male	90° Elbow	Flange	SAE Code 61	Slip Flange Head

German Technology Equipment

**SHIELD FLEX**

New-Standard

- DME&JDE Code: **DAOF59334**
- Product Type: **Hydraulic adaptor, Flange**
- Standard: **ORFS**
- Structure: **90° Forged Elbow**
- Connection Types: **Male x Flange SAE Code 61**
- Thread Types: **ORFS UNF x SAE Code 61 Flange**



PART NUMBER	F (Thread)	C	D1	D2	L1	L2	S
#	UNF	mm	mm	mm	mm	mm	Inch
DAOF59334-1212	1-3/16"-12	17.02	15.52	15.52	42.16	54.1	1-3/16"
DAOF59334-1216	1-3/16"-12	24	15.5	20.6	46	60.2	1-5/16"
DAOF59334-1612	1-7/16"-12	25.2	20.6	15.52	46	54.5	1-7/16"
DAOF59334-1616	1-7/16"-12	25.2	20.6	20.6	46	60.2	1-7/16"
DAOF59334-1620	1-7/16"-12	25.2	20.6	20.6	52.3	66.55	1-5/8"
DAOF59334-2016	1-11/16"-12	25	21.44	21.44	52.3	65	1-5/8"
DAOF59334-2020	1-11/16"-12	25	26	26	52.32	66.55	1-5/8"
DAOF59334-2024	1-11/16"-12	25	26	26	59.2	80	1-7/8"
DAOF59334-2420	2"-12	29.5	27.38	27.38	59.18	72.5	1-7/8"
DAOF59334-2424	2"-12	29.5	32	33.48	59.18	80.01	1-7/8"





## DAOF59364

90° Forged Elbow ORFS Male – Flange SAE Code 62

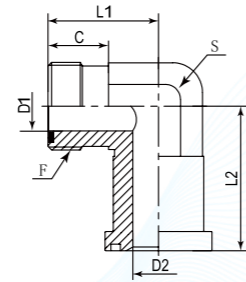
<b>D</b>	<b>A</b>	<b>OF</b>	<b>5</b>	<b>9</b>	<b>3</b>	<b>6</b>	<b>4</b>
Company	Product Range	Thread Types	Connection Type	Adaptor Structure	Adaptor Type	Flange Series	Flange Head Type
<b>DME</b>	Adaptor	ORFS	Male	90° Elbow	Flange	SAE Code 62	Slip Flange Head

German Technology Equipment

**SHIELD FLEX**

New-Standard

- DME&JDE Code: **DAOF59364**
- Product Type: **Hydraulic adaptor, Flange**
- Standard: **ORFS**
- Structure: **90° Forged Elbow**
- Connection Types: **Male × Flange SAE Code 62**
- Thread Types: **ORFS UNF × SAE Code 62 Flange**



PART NUMBER	F (Thread)	C	D1	D2	L1	L2	S
#	UNF	mm	mm	mm	mm	mm	Inch
DAOF59364-1212	1-3/16"-12	17.02	15.47	15.47	42.2	54.1	1-3/16"
DAOF59364-1216	1-3/16"-12	24	15.47	21.44	46	60.2	1-5/16"
DAOF59364-1612	1-7/16"-12	25.2	20.6	15.52	46	59.5	1-5/16"
DAOF59364-1616	1-7/16"-12	25.5	20.6	20.6	46	60.2	1-5/16"
DAOF59364-1620	1-7/16"-12	25.2	20.6	27.38	53.33	70.1	1-5/8"
DAOF59364-2016	1-11/16"-12	24.33	26	21.44	45.97	60.2	1-5/8"
DAOF59364-2020	1-11/16"-12	25	26	26	52.32	70.1	1-5/8"
DAOF59364-2024	1-11/16"-12	25	26	33.48	59.2	80	1-7/8"
DAOF59364-2424	2"-12	29.5	32	32	59.18	80.01	1-7/8"

Web: <https://www.dmejde.com>  
E-mail: [info@dmejde.com](mailto:info@dmejde.com)



## DABPM9334

90° Forged Elbow ORFS Male – Flange SAE Code 62

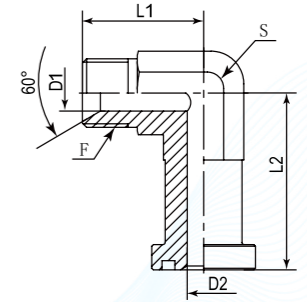
<b>D</b>	<b>A</b>	<b>BP</b>	<b>M</b>	<b>9</b>	<b>3</b>	<b>3</b>	<b>4</b>
Company	Product Range	Thread Types	Connection Type	Adaptor Structure	Adaptor Type	Flange Series	Flange Head Type
<b>DME</b>	Adaptor	BSPP	Male	90° Elbow	Flange	SAE Code 61	Slip Flange Head

German Technology Equipment

**SHIELD FLEX**

New-Standard

- DME&JDE Code: **DABPM9334**
- Product Type: **Hydraulic adaptor, Flange**
- Standard: **BSPP**
- Structure: **90° Forged Elbow**
- Connection Types: **Male × Flange SAE Code 61**
- Thread Types: **BSPP 60° Cone × SAE Code 61 Flange**



PART NUMBER	F (Thread)	D1	D2	L1	L2	S
#	BSPP	mm	mm	mm	mm	mm
DABPM9334-0808	1/2"-14	11.1	10	37.2	54.1	22.23
DABPM9334-0812	1/2"-14	11.1	15.52	42.1	54.1	27
DABPM9334-1212	3/4"-14	16.7	15.52	42.1	54.1	27
DABPM9334-1216	3/4"-14	16.7	21.44	46	60.2	33.35
DABPM9334-1612	1"-11	22.2	15.52	46	59	33.35
DABPM9334-1616	1"-11	22.2	21.44	46	60.2	33.35
DABPM9334-1620	1"-11	22.2	27.38	52.3	66.55	41.28
DABPM9334-2020	1-1/4"-11	27.38	27.38	52.3	66.55	41.28
DABPM9334-2424	1-1/2"-11	33.3	33.3	60.5	80	47.6

Web: <https://www.dmejde.com>  
E-mail: [info@dmejde.com](mailto:info@dmejde.com)



# DABPM9364

90° Forged Elbows BSPP Male 60° – Flange SAE Code 62

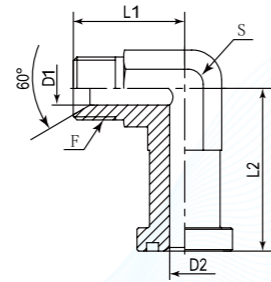
<b>D</b>	<b>A</b>	<b>BP</b>	<b>M</b>	<b>9</b>	<b>3</b>	<b>6</b>	<b>4</b>
Company	Product Range	Thread Types	Connection Type	Adaptor Structure	Adaptor Type	Flange Series	Flange Head Type
<b>DME</b>	Adaptor	BSPP	Male	90° Elbow	Flange	SAE Code 62	Slip Flange Head

German Technology Equipment

**SHIELD FLEX**

New-Standard

- DME&JDE Code: DABPM9364
- Product Type: Hydraulic adaptor, Flange
- Standard: BSPP
- Structure: 90° Forged Elbow
- Connection Types: Male × Flange SAE Code 62
- Thread Types: BSPP 60° Cone × SAE Code 62 Flange



PART NUMBER	F (Thread)	D1	D2	L1	L2	S
#	BSPP	mm	mm	mm	mm	mm
DABPM9364-0808	1/2"-14	11.1	10	37.1	54.1	22.23
DABPM9364-0812	1/2"-14	11.1	15.52	42.1	54.1	27
DABPM9364-1212	3/4"-14	16.7	15.52	42.1	54.1	27
DABPM9364-1216	3/4"-14	16.7	21.44	46	60.2	33.35
DABPM9364-1612	1"-11	22.2	15.52	46	60	33.3
DABPM9364-1616	1"-11	22.2	21.44	46	60.2	33.35
DABPM9364-1620	1"-11	22.2	27.38	52.3	70.1	41.28
DABPM9364-2020	1-1/4"-11	27.38	27.38	52.3	70.1	41.28
DABPM9364-2424	1-1/2"-11	33.3	33.3	60.5	80.01	47.6

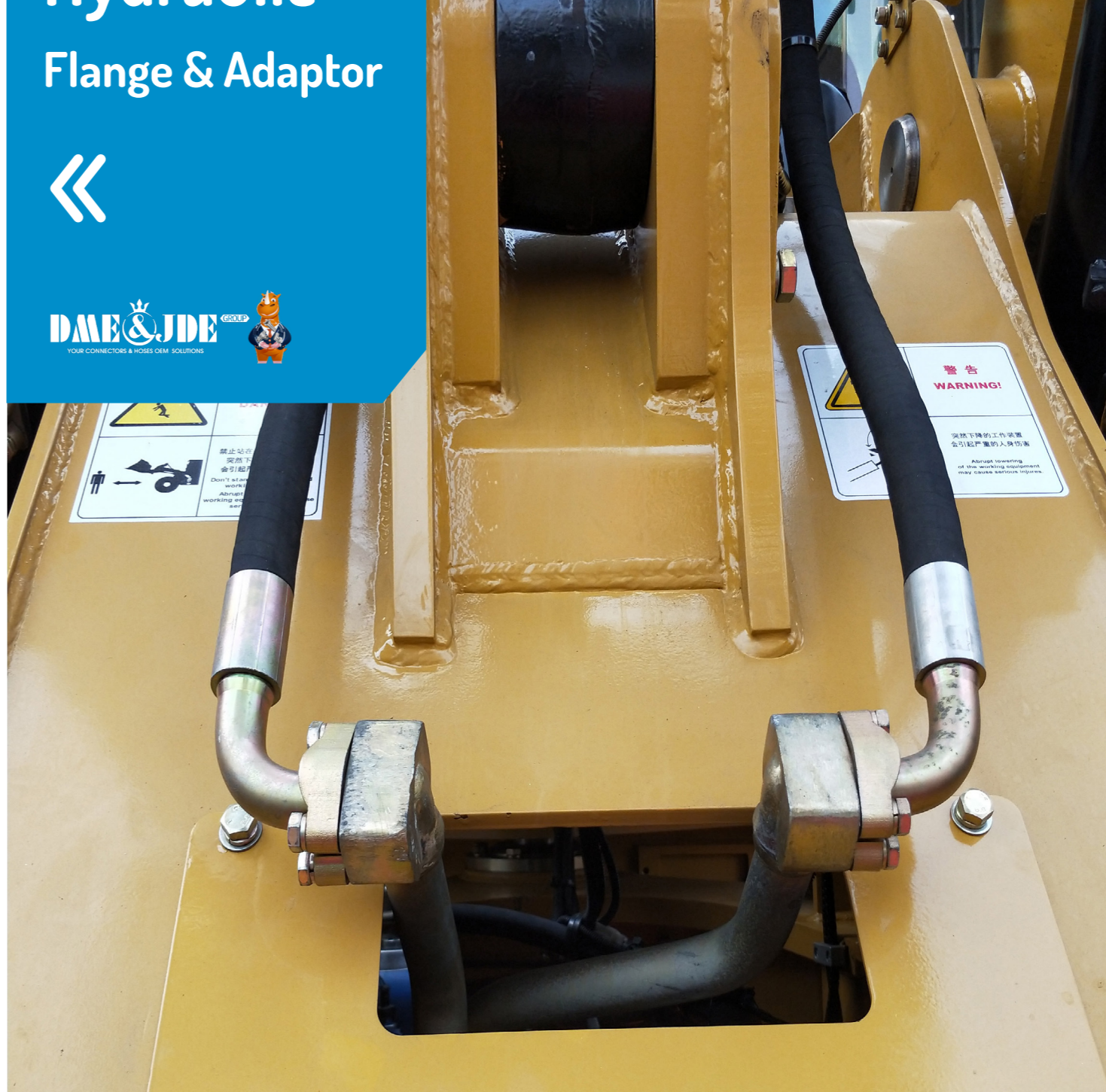
Web: <https://www.dmejde.com>  
E-mail: [info@dmejde.com](mailto:info@dmejde.com)



# Hydraulic Flange & Adaptor

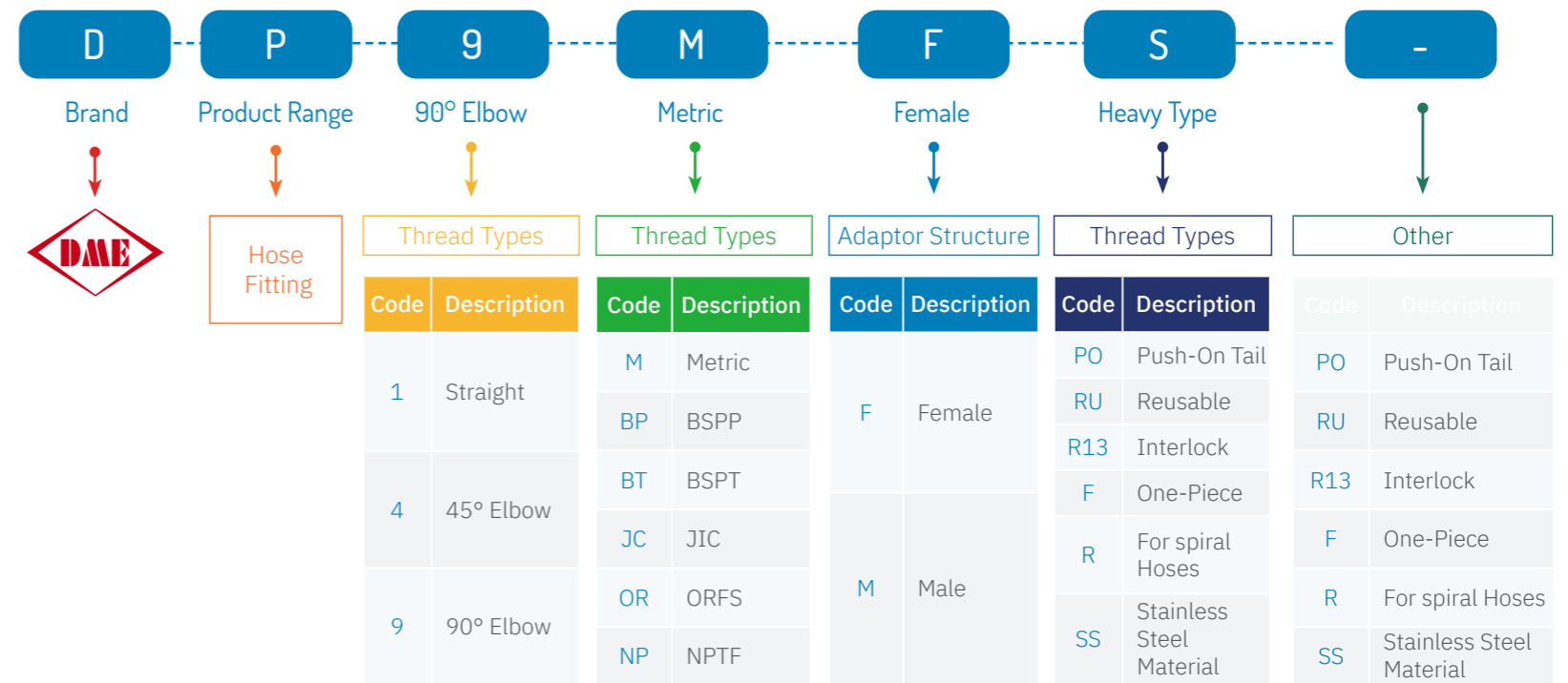
«

**DME&JDE** GROUP  
YOUR CONNECTORS & HOSES OEM SOLUTIONS





CODE SYSTEM (e.g. DP9MFS)



# Hose Fitting

Hose fitting is a connecting part that connects flexible hoses to equipment ports. It supplies reliable connection and sealing for fluid power transmission.

DME&JDE Hose Fitting are with different fitting sizes and configurations for your fluid transmission line. No matter what your application, what pressure and what types of hoses, we can satisfy your requirements and enhance equipment performance. You can get not only the satisfied fittings, but also technical know-how and widest support system.



Ferrule



Insert Hose Fitting



Interlock



Push-On



Reusable



Suction Tail



One Piece





# Hose Fitting Ferrule »

<p><b>DPF1T</b> P785</p>  <p>No-Skive Ferrule for SAE100 R1AT or EN853 1SN/EN857 1SC</p>	<p><b>DPF2T</b> P786</p>  <p>No-Skive Ferrule for SAE100 R1AT/ R2AT or EN853 1SN/2SN</p>	<p><b>DPF4T</b> P787</p>  <p>Skive Ferrule For SAE100 R9 R12 4SP 4SH Hose</p>	<p><b>DPF4T-NK</b> P788</p>  <p>No-Skive Ferrule For SAE100 R9 R12 4SP 4SH Hose</p>
<p><b>DPF5T</b> P789</p>  <p>No-Skive Ferrule For SAE100 R5 Hose</p>	<p><b>DPFR7</b> P790</p>  <p>No Skive Ferrule for SAE 100 R7 Hose</p>	<p><b>DPFR13</b> P791</p>  <p>Double Skive Ferrule for Heavy Duty Spiral Hose SAE R13/R15</p>	<p><b>DPF01SN</b> P792</p>  <p>Ferrule For SAE100 R1AT/EN 853 1SN Hose</p>
<p><b>DPF04H</b> P793</p>  <p>Ferrule For 4SP, 4SH/12-16, R12/06-16 Hose</p>	<p><b>DPFTF0</b> P794</p>  <p>Ferrule for Teflon Hose</p>	<p><b>DPF02SN</b> P795</p>  <p>Ferrule For SAE100 R2AT/EN 853 2SN Hose</p>	

## DPF1T

No-Skive Ferrule for SAE100 R1AT or EN853 1SN/EN857 1SC

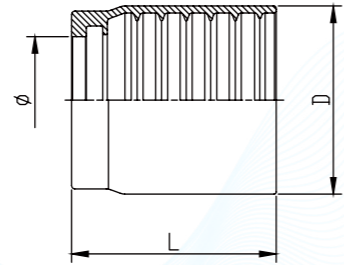
<b>D</b>	<b>P</b>	<b>F</b>	<b>1T</b>
Company	Product Range	Hose Fitting Type	Available Hose Type
<b>DME</b>	Hose Fitting	Ferrule	SAE100 R1AT or EN853 1SN/EN857 1SC

German Technology Equipment

**SHIELD FLEX**

New-Standard

- DME&JDE Code: **DPF1T**
- Product Type: **Hose Fitting**
- Hose Fitting Type: **Ferrule**
- Available Hose Type: **SAE100 R1AT or EN853 1SN/EN857 1SC**



PART NUMBER	Ø	D	L
#	Inch	mm	mm
DPF1T-03	3/16"	17.50	24.50
DPF1T-04	1/4"	21.00	30.00
DPF1T-05	5/16"	21.50	30.00
DPF1T-06	3/8"	24.30	32.00
DPF1T-08	1/2"	28.00	34.00
DPF1T-10	5/8"	31.30	37.00
DPF1T-12	3/4"	35.50	42.00
DPF1T-16	1"	43.50	51.00

## DPF2T

No-Skive Ferrule for SAE100 R1AT/R2AT or EN853 1SN/2SN

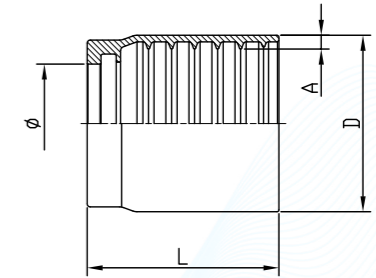
<b>D</b>	<b>P</b>	<b>F</b>	<b>2T</b>
Company	Product Range	Hose Fitting Type	Available Hose Type
<b>DME</b>	Hose Fitting	Ferrule	SAE100 R1AT/R2AT or EN853 1SN/2SN

German Technology Equipment

**SHIELD FLEX**

New-Standard

- DME&JDE Code: **DPF2T**
- Product Type: **Hose Fitting**
- Hose Fitting Type: **Ferrule**
- Available Hose Type: **SAE100 R1AT/R2AT or EN853 1SN/2SN**



PART NUMBER	Ø	A	D	L
#	Inch	mm	mm	mm
DPF2T-03	3/16"	3.35	21	23
DPF2T-04	1/4"	3.55	23	30.5
DPF2T-05	5/16"	3.35	24	30
DPF2T-06	3/8"	3.20	26	32
DPF2T-08	1/2"	3.00	29	34
DPF2T-10	5/8"	3.35	33	37
DPF2T-12	3/4"	3.25	37	42
DPF2T-16	1"	4.05	47	51
DPF2T-20	1-1/4"	4.60	59	59
DPF2T-24	1-1/2"	5.50	67	67
DPF2T-32	2"	5.75	80	72



## DPF4T

Skive Ferule For SAE100 R9 R12 4SP 4SH Hose

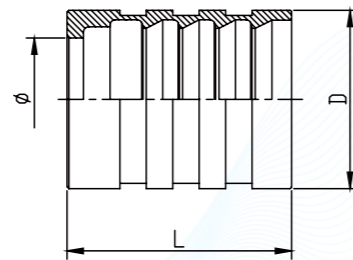
<b>D</b>	<b>P</b>	<b>F</b>	<b>4T</b>
Company	Product Range	Hose Fitting Type	Available Hose Type
<b>DME</b>	Hose Fitting	Ferrule	SAE100 R9 R12 4SP 4SH

German Technology Equipment

**SHIELD FLEX**

New-Standard

- DME&JDE Code: DPF4T
- Product Type: Hose Fitting
- Hose Fitting Type: Ferrule
- Available Hose Type: SAE100 R9 R12 4SP 4SH



PART NUMBER	ø	D	L
#	Inch	mm	mm
DPF4T-06	3/8"	25.50	33.50
DPF4T-08	1/2"	30.00	37.00
DPF4T-10	5/8"	34.00	40.00
DPF4T-12	3/4"	37.4	40.00
DPF4T-16	1"	46.00	60.00
DPF4T-20	1-1/4"	56.00	66.00
DPF4T-24	1-1/2"	65.00	76.50
DPF4T-32	2"	80.00	80.00

## DPF4T-NK

No-Skive Ferule For SAE100 R9 R12 4SP 4SH Hose

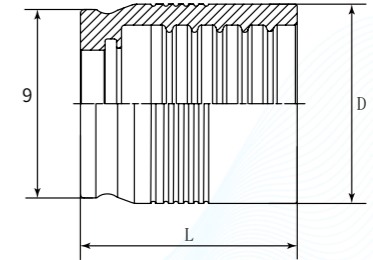
<b>D</b>	<b>P</b>	<b>F</b>	<b>4T</b>	<b>NK</b>
Company	Product Range	Hose Fitting Type	Available Hose Type	Ferrule Type
<b>DME</b>	Hose Fitting	Ferrule	SAE100 R9 R12 4SP 4SH	No-Skive

German Technology Equipment

**SHIELD FLEX**

New-Standard

- DME&JDE Code: DPF4T-NK
- Product Type: Hose Fitting
- Hose Fitting Type: Ferrule
- Available Hose Type: SAE100 R9 R12 4SP 4SH



PART NUMBER	ø	D	L
#	Inch	mm	mm
DPF4T-NK-06	3/8"	30.00	31.00
DPF4T-NK-08	1/2"	34.80	34.00
DPF4T-NK-10	5/8"	40.00	37.00
DPF4T-NK-12	3/4"	44.50	42.00
DPF4T-NK-16	1"	50.80	56.00





## DPF5T

No-Skive Ferrule For SAE100 R5 Hose

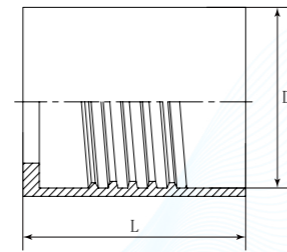
**D** Company: **DME**  
**P** Product Range: Hose Fitting  
**F** Hose Fitting Type: Ferrule  
**5T** Available Hose Type: SAE100 R5

German Technology Equipment

**SHIELD FLEX**

New-Standard

DME&JDE Code: **DPF5T**  
 Product Type: **Hose Fitting**  
 Hose Fitting Type: **Ferrule**  
 Available Hose Type: **SAE100 R5**



PART NUMBER	Ø	D	L
#	Inch	mm	mm
DPF5T-03	3/16"	18.70	27.00
DPF5T-04	1/4"	19.50	30.00
DPF5T-05	5/16"	21.60	32.00
DPF5T-06	3/8"	25.00	32.00
DPF5T-08	1/2"	28.50	34.00
DPF5T-10	5/8"	33.00	37.00

## DPFR7

No Skive Ferrule for SAE 100 R7 Hose

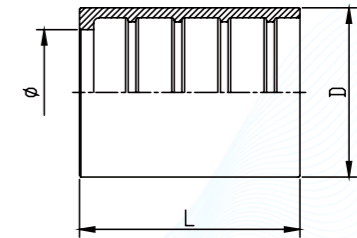
**D** Company: **DME**  
**P** Product Range: Hose Fitting  
**F** Hose Fitting Type: Ferrule  
**R7** Available Hose Type: SAE 100 R7

German Technology Equipment

**SHIELD FLEX**

New-Standard

DME&JDE Code: **DPFR7**  
 Product Type: **Hose Fitting**  
 Hose Fitting Type: **Ferrule**  
 Available Hose Type: **SAE 100 R7**



PART NUMBER	Ø	D	L
#	Inch	mm	mm
DPFR7-03	3/16"	14.20	27.00
DPFR7-04	1/4"	17.00	29.00
DPFR7-05	5/16"	18.80	31.00
DPFR7-06	3/8"	21.00	31.00
DPFR7-08	1/2"	25.50	34.00
DPFR7-10	5/8"	31.50	36.00
DPFR7-12	3/4"	33.00	43.00



## DPFR13

Double Skive Ferrule for Heavy Duty Spiral Hose SAE R13/R15

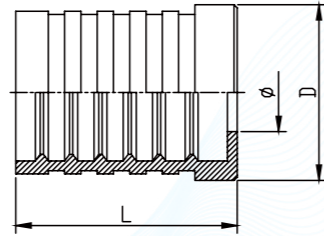
**D** Company: **DME**  
**P** Product Range: Hose Fitting  
**F** Hose Fitting Type: Ferrule  
**R13** Available Hose Type: SAE R13/R15

German Technology Equipment



New-Standard

DME&JDE Code: **DPFR13**  
 Product Type: **Hose Fitting**  
 Hose Fitting Type: **Ferrule**  
 Available Hose Type: **SAE R13/R15**



PART NUMBER	Ø	D	L
#	Inch	mm	mm
DPFR13-10	5/8"	36.00	43.50
DPFR13-12	3/4"	40.00	53.00
DPFR13-16	1"	49.00	66.00
DPFR13-20	1-1/4"	60.00	88.50
DPFR13-24	1-1/2"	69.30	102.00
DPFR13-32	2"	86.50	108.00

## DPF01SN

Ferrule For SAE100 R1AT/EN 853 1SN Hose

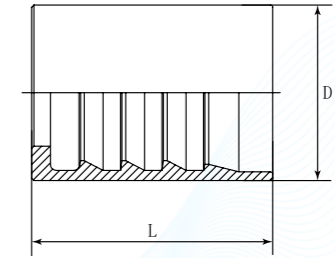
**D** Company: **DME**  
**P** Product Range: Hose Fitting  
**F** Hose Fitting Type: Ferrule  
**01SN** Available Hose Type: SAE100 RIAT/EN 853 1SN

German Technology Equipment



New-Standard

DME&JDE Code: **DPF01SN**  
 Product Type: **Hose Fitting**  
 Hose Fitting Type: **Ferrule**  
 Available Hose Type: **SAE100 R1AT/EN 853 1SN**



PART NUMBER	Ø	D	L
#	Inch	mm	mm
DPF01SN-03	3/16"	17.50	24.50
DPF01SN-04	1/4"	19.80	30.00
DPF01SN-05	5/16"	20.80	31.00
DPF01SN-06	3/8"	23.30	32.00
DPF01SN-08	1/2"	27.00	34.00
DPF01SN-10	5/8"	30.00	37.00
DPF01SN-12	3/4"	34.00	43.00
DPF01SN-16	1"	42.60	50.00
DPF01SN-20	1-1/4"	52.00	59.00
DPF01SN-24	1-1/2"	58.00	74.00
DPF01SN-32	2"	72.00	78.00



## DPF04H

Ferrule For 4SP, 4SH/12-16, R12/06-16 Hose

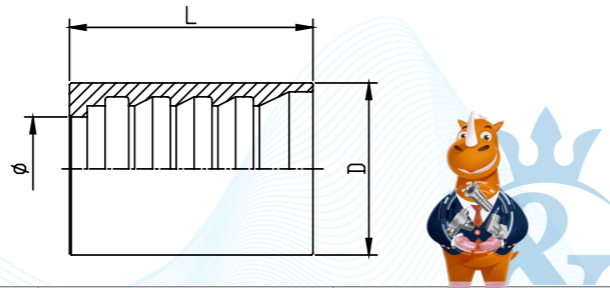
<b>D</b>	<b>P</b>	<b>F</b>	<b>04H</b>
Company	Product Range	Hose Fitting Type	Available Hose Type
<b>DME</b>	Hose Fitting	Ferrule	4SP, 4SH/12-16, R12/06-16

German Technology Equipment

**SHIELD FLEX**

New-Standard

- DME&JDE Code: **DPF04H**
- Product Type: **Hose Fitting**
- Hose Fitting Type: **Ferrule**
- Available Hose Type: **4SP, 4SH/12-16, R12/06-16**



PART NUMBER	Ø	D	L
#	Inch	mm	mm
DPF04H-04	1/4"	6.00	37.50
DPF04H-06	3/8"	10.00	39.00
DPF04H-08	1/2"	12.00	41.00
DPF04H-10	5/8"	16.00	43.00
DPF04H-12	3/4"	20.00	51.00
DPF04H-16	1"	25.00	61.50
DPF04H-20	1-1/4"	32.00	67.50
DPF04H-24	1-1/2"	40.00	75.00
DPF04H-32	2"	50.00	79.00

## DPFTFO

Ferrule for Teflon Hose

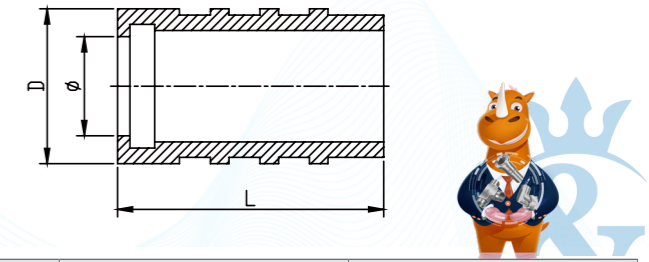
<b>D</b>	<b>P</b>	<b>F</b>	<b>TFO</b>
Company	Product Range	Hose Fitting Type	Available Hose Type
<b>DME</b>	Hose Fitting	Ferrule	Teflon

German Technology Equipment

**SHIELD FLEX**

New-Standard

- DME&JDE Code: **DPFTFO**
- Product Type: **Hose Fitting**
- Hose Fitting Type: **Ferrule**
- Available Hose Type: **Teflon**



PART NUMBER	Ø	D	L
#	Inch	mm	mm
DPFTFO-04	1/4"	16.00	31.00
DPFTFO-05	5/16"	17.00	30.00
DPFTFO-06	3/8"	22.00	32.00
DPFTFO-08	1/2"	25.00	33.00
DPFTFO-10	5/8"	29.00	37.00
DPFTFO-12	3/4"	34.00	42.00
DPFTFO-16	1"	40.00	50.00





## DPF02SN

Ferrule For SAE100 R2AT/EN 853 2SN Hose

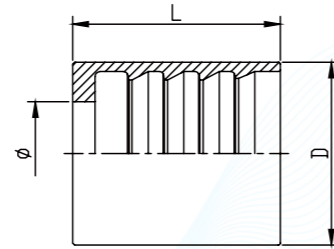
<b>D</b>	<b>P</b>	<b>F</b>	<b>02SN</b>
Company	Product Range	Fitting Type	Available Hose Type
<b>DME</b>	Hose Fitting Type	Ferrule	SAE100 R2AT/EN 853 2SN

German Technology Equipment

**SHIELD FLEX**

New-Standard

- DME&JDE Code: **DPF02SN**
- Product Type: **Hose Fitting**
- Hose Fitting Type: **Ferrule**
- Available Hose Type: **SAE100 R2AT/EN 853 2SN**



PART NUMBER	Ø	D	L
#	Inch	mm	mm
DPF02SN-04	1/4"	6.00	30.00
DPF02SN-05	5/16"	8.00	31.00
DPF02SN-06	3/8"	10.00	32.00
DPF02SN-08	1/2"	12.00	34.00
DPF02SN-10	5/8"	16.00	37.00
DPF02SN-12	3/4"	20.00	43.00
DPF02SN-16	1"	25.00	50.00
DPF02SN-20	1-1/4"	32.00	59.00
DPF02SN-24	1-1/2"	40.00	74.00
DPF02SN-32	2"	50.00	78.00

Certificate:



# Hose Fitting

## Ferrule



**DME&JDE** GROUP

YOUR CONNECTORS & HOSES OEM SOLUTIONS





# Hose Fitting

# Insert Hose Fitting »



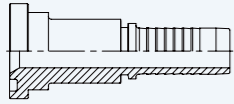
<p><b>DP1BPM</b> P801</p> <p>Straight Connector BSPP Male 60° Cone Seat Or Bonded Seal - Braided Hose And Spiral Hose</p>	<p><b>DP1JCM</b> P802</p> <p>Straight Connector JIC Male 74° Cone - Braided Hose And Spiral Hose</p>	<p><b>DP1MML</b> P803</p> <p>Straight Connector Metric Male 24° Cone Light Type - Braided Hose And Spiral Hose</p>	<p><b>DP1MMS</b> P804</p> <p>Straight Connector Metric Male 24° Cone Heavy Type - Braided Hose And Spiral Hose</p>
<p><b>DP1ORM</b> P805</p> <p>Straight Connector ORFS Male - Braided Hose And Spiral Hose</p>	<p><b>DP1NPM</b> P806</p> <p>Straight Connector NPTF Male - Braided Hose And Spiral Hose</p>	<p><b>DP1ORF</b> P807</p> <p>Straight Connector ORFS Female - Braided Hose And Spiral Hose</p>	<p><b>DP1MFF</b> P808</p> <p>Straight Connector Metric Female - Braided Hose And Spiral Hose</p>
<p><b>DP1MFS</b> P809</p> <p>Straight Connector Metric Female 24° Cone Heavy Type - Braided Hose And Spiral Hose</p>	<p><b>DP1MFL</b> P810</p> <p>Straight Connector Metric Female 24° Cone Light Type - Braided Hose And Spiral Hose</p>	<p><b>DP1KSF</b> P811</p> <p>Straight Connector JIS Metric Female 60° Cone - Braided Hose And Spiral Hose</p>	<p><b>DP1BPF</b> P812</p> <p>Straight Connector BSPP Swivel Female 60° Cone - Braided Hose And Spiral Hose</p>
<p><b>DP1JCF</b> P813</p> <p>Straight Connector JIC Swivel Female 74° Cone - Braided Hose And Spiral Hose</p>	<p><b>DP1TYF</b> P814</p> <p>Straight Connector JIS BSPP Swivel Female 60° Cone - Braided Hose And Spiral Hose</p>	<p><b>DP1NPS</b> P815</p> <p>Straight Connector NPSM Swivel Female 60° Cone - Braided Hose And Spiral Hose</p>	<p><b>DP1FL</b> P816</p> <p>Straight Connector SAE Flange Code 61 - Braided Hose And Spiral Hose</p>





**DP1FS**

P817



Straight Connector SAE Flange Code 62 - Braided Hose And Spiral Hose

**DP1MP**

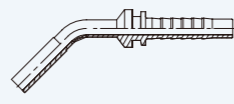
P818



Straight Connector Metric Standard Pipe DIN Type

**DP4MP**

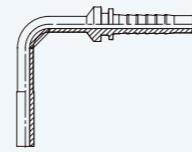
P819



45° Elbow Metric Standard Pipe DIN Type - Braided Hose And Spiral Hose

**DP9MP**

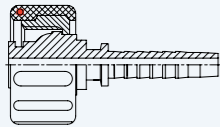
P820



Straight Connector Metric Male 24° Cone Heavy Type - Braided Hose And Spiral Hose

**DP1WF**

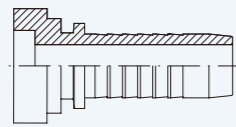
P821



Straight Connector Metric Female - Braided Hose And Spiral Hose

**DPSTS**

P822



Socket Weld - Braided Hose And Spiral Hose

**DDC**

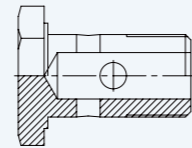
P823



Pushlock Hose Joiner

**BJBMP**

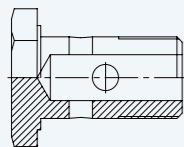
P824



Banjo Bolt Metric Male

**BJBM**

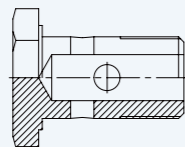
P825



Banjo Bolt Metric Male

**BJBBP**

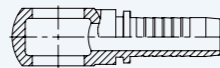
P826



Banjo Bolt BSPP Male

**BJM**

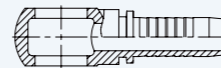
P827



Banjo Metric

**BJBP**

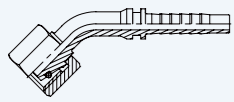
P828



Banjo BSPP

**DP4MFL**

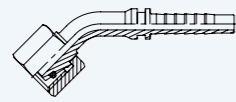
P829



45° Elbow Metric Female 24° Cone Light Type - Braided Hose And Spiral Hose

**DP4MFS**

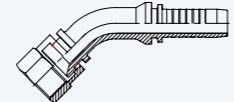
P830



45° Elbow Metric Female 24° Cone Heavy Type - Braided Hose And Spiral Hose

**DP4KSF**

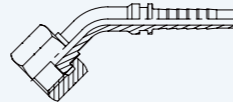
P831



45° Elbow Metric Female 60° Cone - Braided Hose And Spiral Hose

**DP4ORF**

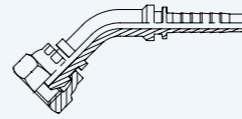
P832



45° Elbow ORFS Female - Braided Hose And Spiral Hose

**DP4BPF**

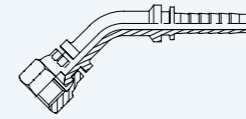
P833



45° Elbow BSPP Swivel Female 60° Cone - Braided Hose And Spiral Hose

**DP4JCF**

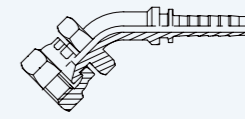
P834



45° Elbow JIC Swivel Female 74° Cone - Braided Hose And Spiral Hose

**DP4TYF**

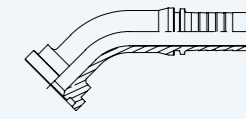
P835



45° Elbow JIS BSPP Swivel Female 60° Cone - Braided Hose And Spiral Hose

**DP4FL**

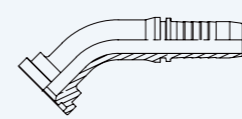
P836



45° Elbow SAE Flange Code 61 - Braided Hose And Spiral Hose

**DP4FS**

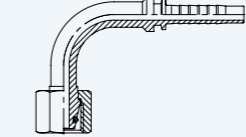
P837



45° Elbow SAE Flange Code 62 - Braided Hose And Spiral Hose

**DP9MFL**

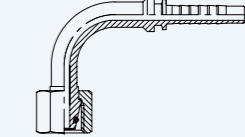
P838



90° Elbow Metric Female 24° Cone Light Type - Braided Hose And Spiral Hose

**DP9MFS**

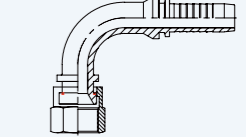
P839



90° Elbow Metric Female 24° Cone Heavy Type - Braided Hose And Spiral Hose

**DP9KSF**

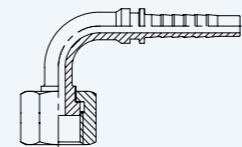
P840



90° Elbow JIS Metric Female 60° Cone - Braided Hose And Spiral Hose

**DP9ORF**

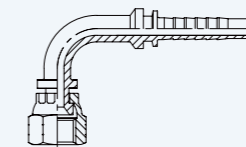
P841



90° Elbow ORFS Female - Braided Hose And Spiral Hose

**DP9JCF**

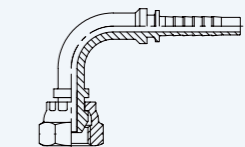
P842



90° Elbow JIC Swivel Female 74° Cone - Braided Hose And Spiral Hose

**DP9BPF**

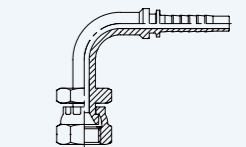
P843



90° Elbow BSPP Swivel Female 60° Cone - Braided Hose And Spiral Hose

**DP9TYF**

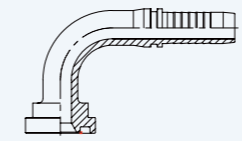
P844



90° Elbow JIS BSPP Swivel Female 60° Cone - Braided Hose And Spiral Hose

**DP9FL**

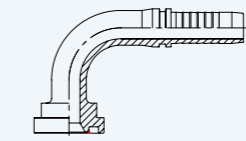
P845



90° Elbow SAE Flange Code 61 - Braided Hose And Spiral Hose

**DP9FS**

P846



90° Elbow SAE Flange Code 62 - Braided Hose And Spiral Hose



## DP1BPM

Straight Connector BSPP Male 60° Cone Seat Or Bonded Seal – Braided Hose And Spiral Hose

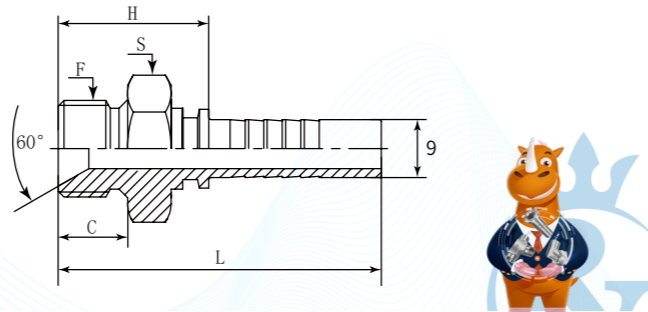
<b>D</b>	<b>P</b>	<b>I</b>	<b>BP</b>	<b>M</b>
Company	Product Range	Fitting Structure	Thread Types	Connection Type
<b>DME</b>	Hose Fitting	Straight	BSPP	Male

German Technology Equipment

**SHIELD FLEX**

New-Standard

- DME&JDE Code: **DP1BPM**
- Product Type: **Hose Fitting**
- Hose Fitting Type: **Insert**
- Thread Type: **BSPP 60° Cone Seat Or Bonded Seal**
- Structure: **Straight**
- Connection Type: **Male**



PART NUMBER	F (Thread)	Ø	H	C	L	S
#	BSPP	Inch	mm	mm	mm	mm
DP1BPM-0204	1/8"-28	1/4"	20.50	10.00	49.00	14
DP1BPM-0404	1/4"-19	1/4"	26.00	10.00	50.00	19
DP1BPM-0406	1/4"-19	3/8"	26.00	10.00	52.30	19
DP1BPM-0604	3/8"-19	1/4"	28.50	12.00	53.50	22
DP1BPM-0606	3/8"-19	3/8"	28.50	12.00	55.80	22
DP1BPM-0608	3/8"-19	1/2"	29.00	12.00	57.80	22
DP1BPM-0806	1/2"-14	3/8"	32.00	14.00	58.30	27
DP1BPM-0808	1/2"-14	1/2"	33.00	14.00	60.30	27
DP1BPM-1208	3/4"-14	1/2"	38.00	16.00	64.30	32
DP1BPM-1210	3/4"-14	5/8"	38.00	16.00	67.30	32
DP1BPM-1212	3/4"-14	3/4"	39.00	16.00	77.30	32
DP1BPM-1612	1"-11	3/4"	42.00	18.00	77.30	41
DP1BPM-1616	1"-11	1"	43.50	18.00	86.00	41
DP1BPM-2016	1-1/4"-11	1"	46.50	20.50	94.50	50
DP1BPM-2020	1-1/4"-11	1-1/4"	47.00	20.50	102.50	50
DP1BPM-2420	1-1/2"-11	1-1/4"	50.00	22.00	111.00	55
DP1BPM-2424	1-1/2"-11	1-1/2"	51.00	22.00	115.00	55
DP1BPM-3232	2"-11	2"	53.50	24.00	124.00	70

## DP1JCM

Straight Connector JIC Male 74° Cone – Braided Hose And Spiral Hose

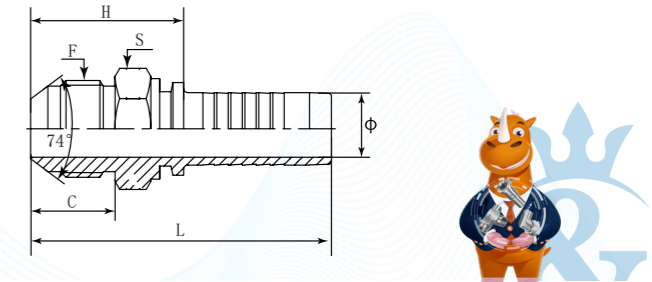
<b>D</b>	<b>P</b>	<b>I</b>	<b>JC</b>	<b>M</b>
Company	Product Range	Fitting Structure	Thread Types	Connection Type
<b>DME</b>	Hose Fitting	Straight	JIC	Male

German Technology Equipment

**SHIELD FLEX**

New-Standard

- DME&JDE Code: **DP1JCM**
- Product Type: **Hose Fitting**
- Hose Fitting Type: **Insert**
- Thread Type: **JIC 74° Cone**
- Structure: **Straight**
- Connection Type: **Male**



PART NUMBER	F (Thread)	Ø	C	H	L	S
#	UNF	Inch	mm	mm	mm	mm
DP1JCM-0404	7/16"-20	1/4"	14.00	26.20	54.00	12
DP1JCM-0504	1/2"-20	1/4"	14.00	26.20	54.00	14
DP1JCM-0604	9/16"-18	1/4"	14.10	26.20	54.00	17
DP1JCM-0606	9/16"-18	3/8"	14.10	27.20	57.00	17
DP1JCM-0806	3/4"-16	3/8"	16.70	31.00	60.80	22
DP1JCM-0808	3/4"-16	1/2"	16.70	31.70	63.00	22
DP1JCM-1008	7/8"-14	1/2"	19.30	34.70	66.00	24
DP1JCM-1010	7/8"-14	5/8"	19.30	35.20	69.00	24
DP1JCM-1012	7/8"-14	3/4"	19.30	37.60	77.20	27
DP1JCM-1208	1-1/16"-12	1/2"	21.90	39.00	70.30	27
DP1JCM-1210	1-1/16"-12	5/8"	21.90	39.50	73.30	27
DP1JCM-1212	1-1/16"-12	3/4"	21.90	40.40	80.00	27
DP1JCM-1216	1-1/16"-12	1"	21.90	41.60	89.10	32
DP1JCM-1612	1-5/16"-12	3/4"	23.10	42.20	81.80	36
DP1JCM-1616	1-5/16"-12	1"	23.10	43.00	90.50	36
DP1JCM-2016	1-5/8"-12	1"	24.30	47.30	94.50	46
DP1JCM-2020	1-5/8"-12	1-1/4"	24.30	48.50	102.50	46
DP1JCM-2420	1-7/8"-12	1-1/4"	27.50	67.50	121.50	50
DP1JCM-2424	1-7/8"-12	1-1/2"	27.50	53.50	121.50	50
DP1JCM-3232	2-1/2"-12	2"	33.90	72.00	144.00	65

## DP1MML

Straight Connector Metric Male 24° Cone Light Type – Braided Hose And Spiral Hose

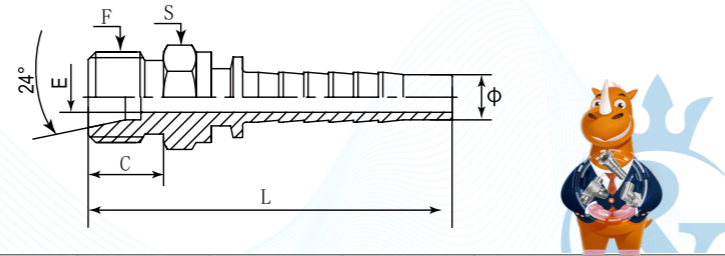
<b>D</b>	<b>P</b>	<b>I</b>	<b>M</b>	<b>M</b>	<b>L</b>
Company	Product Range	Fitting Structure	Thread Types	Connection Type	Pressure Grade
<b>DME</b>	Hose Fitting	Straight	Metric	Male	Light Type

German Technology Equipment

**SHIELD FLEX**

New-Standard

- DME&JDE Code: **DP1MML**
- Product Type: **Hose Fitting**
- Hose Fitting Type: **Insert**
- Thread Type: **Metric 24° Cone Light Type**
- Structure: **Straight**
- Connection Type: **Male**



PART NUMBER	F (Thread)	Cone 24°	Ø	C	E	L	S
#	Metric	-	Inch	mm	mm	mm	mm
DP1MML-1204	M12X1.5	06L	1/4"	10.00	6.00	48.30	14
DP1MML-1404	M14X1.5	08L	1/4"	10.00	8.00	48.00	14
DP1MML-1604	M16X1.5	10L	1/4"	11.00	10.00	51.00	17
DP1MML-1606	M16X1.5	10L	3/8"	11.00	10.00	53.30	17
DP1MML-1806	M18X1.5	12L	3/8"	11.00	12.00	53.30	19
DP1MML-2206	M22X1.5	15L	3/8"	12.00	15.00	57.00	24
DP1MML-2208	M22X1.5	15L	1/2"	12.00	15.00	56.00	24
DP1MML-2610	M26X1.5	18L	5/8"	13.00	18.00	60.30	27
DP1MML-2612	M26X1.5	18L	3/4"	12.00	18.00	70.00	27
DP1MML-3012	M30X2	22L	3/4"	14.00	22.00	69.30	32
DP1MML-3612	M36X2	28L	3/4"	14.00	28.00	85.00	36
DP1MML-3616	M36X2	28L	1"	14.00	28.00	88.00	36
DP1MML-4520	M45X2	35L	1-1/4"	19.00	35.00	97.00	46
DP1MML-5220	M52X2	42L	1-1/4"	16.00	42.00	107.00	55
DP1MML-5224	M52X2	42L	1-1/2"	16.00	42.00	113.00	55

## DP1MMS

Straight Connector Metric Male 24° Cone Heavy Type – Braided Hose And Spiral Hose

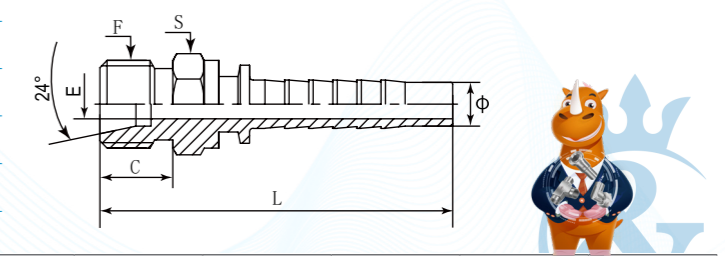
<b>D</b>	<b>P</b>	<b>I</b>	<b>M</b>	<b>M</b>	<b>S</b>
Company	Product Range	Fitting Structure	Thread Types	Connection Type	Pressure Grade
<b>DME</b>	Hose Fitting	Straight	Metric	Male	Heavy Type

German Technology Equipment

**SHIELD FLEX**

New-Standard

- DME&JDE Code: **DP1MMS**
- Product Type: **Hose Fitting**
- Hose Fitting Type: **Insert**
- Thread Type: **Metric 24° Cone Heavy Type**
- Structure: **Straight**
- Connection Type: **Male**



PART NUMBER	F (Thread)	Cone 24°	Ø	C	E	L	S
#	Metric	-	Inch	mm	mm	mm	mm
DP1MMS-1404	M14X1.5	06S	1/4"	12.00	6.00	51.50	14
DP1MMS-1604	M16X1.5	08S	1/4"	12.00	8.00	53.50	17
DP1MMS-1804	M18X1.5	10S	1/4"	12.00	10.00	54.00	19
DP1MMS-2006	M20X1.5	12S	3/8"	12.00	12.00	58.30	22
DP1MMS-2208	M22X1.5	14S	1/2"	14.00	14.00	60.30	24
DP1MMS-2408	M24X1.5	16S	1/2"	14.00	16.00	63.30	27
DP1MMS-3010	M30X2	20S	5/8"	16.00	20.00	69.30	32
DP1MMS-3012	M30X2	20S	3/4"	16.00	20.00	77.30	32
DP1MMS-3612	M36X2	25S	3/4"	18.00	25.00	79.30	41
DP1MMS-3616	M36X2	25S	1"	18.00	25.00	92.00	36
DP1MMS-4216	M42X2	30S	1"	20.00	30.00	96.00	46
DP1MMS-4220	M42X2	30S	1-1/4"	20.00	30.00	103.00	46
DP1MMS-5220	M52X2	38S	1-1/4"	22.00	38.00	107.00	55
DP1MMS-5224	M52X2	38S	1-1/2"	22.00	38.00	117.00	55



## DP1ORM

Straight Connector ORFS Male – Braided Hose And Spiral Hose

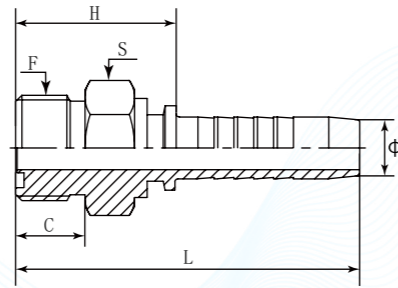
<b>D</b>	<b>P</b>	<b>I</b>	<b>OR</b>	<b>M</b>
Company	Product Range	Fitting Structure	Standard	Connection Type
<b>DME</b>	Hose Fitting	Straight	ORFS	Male

German Technology Equipment

**SHIELD FLEX**

New-Standard

- DME&JDE Code: **DP1ORM**
- Product Type: **Hose Fitting**
- Hose Fitting Type: **Insert**
- Thread Type: **UNF**
- Structure: **Straight**
- Connection Type: **Male**



PART NUMBER	F (Thread)	Ø	H	C	L	S
#	UNF	Inch	mm	mm	mm	mm
DP1ORM-0404	9/16"-18	1/4"	23.50	9.80	50.70	17
DP1ORM-0604	11/16"-16	1/4"	26.00	11.20	53.20	19
DP1ORM-0606	11/16"-16	3/8"	26.00	11.20	55.50	19
DP1ORM-0806	13/16"-16	3/8"	28.00	12.80	58.50	22
DP1ORM-0808	13/16"-16	1/2"	29.00	12.80	60.30	22
DP1ORM-1008	1"-14	1/2"	33.50	15.49	65.20	27
DP1ORM-1010	1"-14	5/8"	33.50	15.49	68.20	27
DP1ORM-1208	1-3/16"-12	1/2"	35.00	17.02	66.70	32
DP1ORM-1210	1-3/16"-12	5/8"	35.00	17.02	69.70	32
DP1ORM-1212	1-3/16"-12	3/4"	36.00	17.02	75.70	32
DP1ORM-1612	1-7/16"-12	3/4"	36.50	17.50	76.20	41
DP1ORM-1616	1-7/16"-12	1"	38.00	17.50	84.90	41
DP1ORM-2020	1-11/16"-12	1-1/4"	40.00	17.50	101.00	46
DP1ORM-2424	2"-12	1-1/2"	43.00	17.50	113.50	55



## DP1NPM

Straight Connector NPTF Male – Braided Hose And Spiral Hose

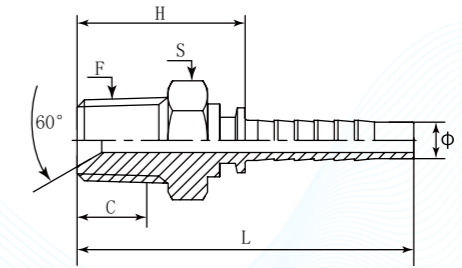
<b>D</b>	<b>P</b>	<b>I</b>	<b>NP</b>	<b>M</b>
Company	Product Range	Fitting Structure	Thread Types	Connection Type
<b>DME</b>	Hose Fitting	Straight	NPTF	Male

German Technology Equipment

**SHIELD FLEX**

New-Standard

- DME&JDE Code: **DP1NPM**
- Product Type: **Hose Fitting**
- Hose Fitting Type: **Insert**
- Thread Type: **NPTF**
- Structure: **Straight**
- Connection Type: **Male**



PART NUMBER	F (Thread)	Ø	H	C	L	S
#	NPTF	Inch	mm	mm	mm	mm
DP1NPM-0204	1/8"-27	1/4"	22.20	10.50	50.00	12
DP1NPM-0404	1/4"-18	1/4"	27.70	15.00	55.50	17
DP1NPM-0406	1/4"-18	3/8"	27.20	15.00	57.00	17
DP1NPM-0604	3/8"-18	1/4"	29.20	16.00	57.00	19
DP1NPM-0606	3/8"-18	3/8"	29.50	16.00	59.20	19
DP1NPM-0608	3/8"-18	1/2"	30.70	16.00	62.00	19
DP1NPM-0804	1/2"-14	1/4"	33.90	19.50	61.70	22
DP1NPM-0806	1/2"-14	3/8"	34.20	19.50	64.00	22
DP1NPM-0808	1/2"-14	1/2"	34.70	19.50	66.00	22
DP1NPM-0810	1/2"-14	5/8"	37.00	19.50	70.80	24
DP1NPM-0812	1/2"-14	3/4"	38.40	19.50	78.00	27
DP1NPM-1208	3/4"-14	1/2"	37.80	19.50	69.10	27
DP1NPM-1210	3/4"-14	5/8"	38.00	19.50	71.80	27
DP1NPM-1212	3/4"-14	3/4"	38.40	19.50	78.00	27
DP1NPM-1612	1"-11-1/2	3/4"	44.40	25.50	84.00	36
DP1NPM-1616	1"-11-1/2	1"	44.50	25.50	92.00	36
DP1NPM-2016	1-1/4"-11-1/2	1"	47.50	26.50	95.00	46
DP1NPM-2020	1-1/4"-11-1/2	1-1/4"	49.00	26.50	103.00	46
DP1NPM-2424	1-1/2"-11-1/2	1-1/2"	51.00	27.50	119.00	50
DP1NPM-3232	2"-11-1/2	2"	55.00	27.50	127.00	65





## DP1ORF

Straight Connector ORFS Female – Braided Hose And Spiral Hose

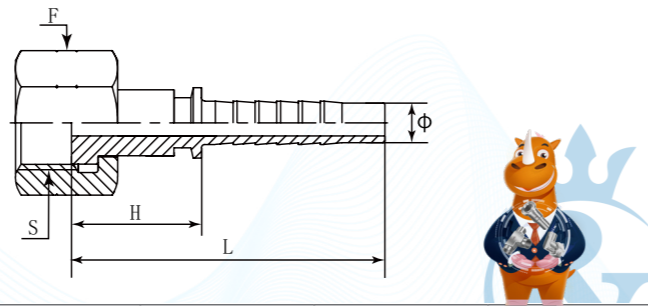
<b>D</b>	<b>P</b>	<b>I</b>	<b>OR</b>	<b>F</b>
Company	Product Range	Fitting Structure	Thread Types	Connection Type
<b>DME</b>	Hose Fitting	Straight	ORFS	Female

German Technology Equipment

**SHIELD FLEX**

New-Standard

- DME&JDE Code: **DP1ORF**
- Product Type: **Hose Fitting**
- Hose Fitting Type: **Insert**
- Thread Type: **UNF**
- Structure: **Straight**
- Connection Type: **Female**



PART NUMBER	F (Thread)	Ø	H	L	S
#	UNF	Inch	mm	mm	mm
DP1ORF-0404	9/16"-18	1/4"	21.00	49.50	19
DP1ORF-0604	11/16"-16	1/4"	23.00	51.50	22
DP1ORF-0606	11/16"-16	3/8"	23.00	53.50	22
DP1ORF-0806	13/16"-16	3/8"	26.00	56.50	27
DP1ORF-0808	13/16"-16	1/2"	26.50	59.50	27
DP1ORF-1008	1"-14	1/2"	30.00	63.00	30
DP1ORF-1010	1"-14	5/8"	30.00	66.00	30
DP1ORF-1210	1-3/16"-12	5/8"	33.00	69.00	36
DP1ORF-1212	1-3/16"-12	3/4"	33.50	74.50	36
DP1ORF-1616	1-7/16"-12	1"	35.50	90.50	41
DP1ORF-2020	1-11/16"-12	1-1/4"	36.00	97.00	50
DP1ORF-2424	2"-12	1-1/2"	36.50	107.00	60

## DP1MFF

Straight Connector Metric Female - Braided Hose And Spiral Hose

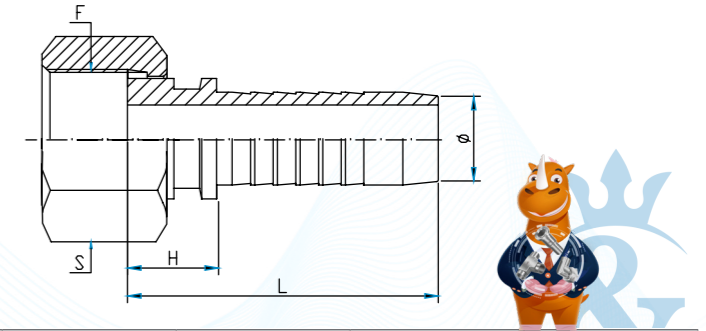
<b>D</b>	<b>P</b>	<b>I</b>	<b>M</b>	<b>F</b>	<b>F</b>
Company	Product Range	Fitting Structure	Thread Types	Connection Type	Sealing Method
<b>DME</b>	Hose Fitting	Straight	Metric	Female	O-Ring

German Technology Equipment

**SHIELD FLEX**

New-Standard

- DME&JDE Code: **DP1MFF**
- Product Type: **Hose Fitting**
- Hose Fitting Type: **Insert**
- Thread Type: **UNF**
- Structure: **Straight**
- Connection Type: **Female**
- Sealing Method: **O rings**



PART NUMBER	F (Thread)	Ø	H	L	S
#	Metric	mm	mm	mm	mm
DP1MFF-1404	M14×1.5	1/4"	15.5	44.0	19
DP1MFF-1604	M16×1.5	1/4"	15.0	43.5	19
DP1MFF-1804	M18×1.5	1/4"	16.0	44.5	22
DP1MFF-2006	M20×1.5	3/8"	17.0	47.0	27
DP1MFF-2208	M22×1.5	1/2"	17.5	48.8	27
DP1MFF-2408	M24×1.5	1/2"	17.5	48.8	30
DP1MFF-3010	M30×2	5/8"	19.2	58.8	36
DP1MFF-3012	M30×2	3/4"	19.2	58.8	36
DP1MFF-3612	M36×2	3/4"	20.7	60.3	46
DP1MFF-3616	M36×2	1"	20.7	69.0	46
DP1MFF-4216	M42×2	1"	26.0	73.2	50
DP1MFF-4220	M42×2	1-1/4"	26.0	80.0	50
DP1MFF-5220	M52×2	1-1/4"	26.0	80.0	60
DP1MFF-5224	M52×2	1-1/2"	26.0	94.0	60



## DP1MFS

Straight Connector Metric Female 24° Cone Heavy Type – Braided Hose And Spiral Hose

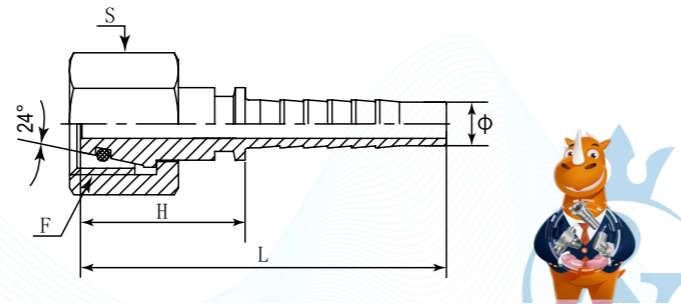
<b>D</b>	<b>P</b>	<b>I</b>	<b>M</b>	<b>F</b>	<b>S</b>
Company	Product Range	Fitting Structure	Thread Types	Connection Type	Pressure Grade
<b>DME</b>	Hose Fitting	Straight	Metric	Female	Heavy Type

German Technology Equipment

**SHIELD FLEX**

New-Standard

- DME&JDE Code: DP1MFS
- Product Type: Hose Fitting
- Hose Fitting Type: Insert
- Thread Type: Metric 24° Cone Heavy Type
- Structure: Straight
- Connection Type: Female



PART NUMBER	F (Thread)	Cone 24°	Ø	H	L	S
#	Metric	-	mm	mm	mm	mm
DP1MFS-1404	M14X1.5	06S	1/4"	22.70	50.50	17
DP1MFS-1604	M16X1.5	08S	1/4"	24.20	52.00	19
DP1MFS-1804	M18X1.5	10S	1/4"	24.70	52.50	22
DP1MFS-2006	M20X1.5	12S	3/8"	25.50	55.30	24
DP1MFS-2208	M22X1.5	14S	1/2"	27.00	58.30	27
DP1MFS-2408	M24X1.5	16S	1/2"	27.00	58.30	30
DP1MFS-3010	M30X2	20S	5/8"	33.50	67.30	36
DP1MFS-3012	M30X2	20S	3/4"	33.70	73.30	36
DP1MFS-3612	M36X2	25S	3/4"	30.70	70.30	46
DP1MFS-3616	M36X2	25S	1"	32.50	79.00	46
DP1MFS-4216	M42X2	30S	1"	35.50	82.00	50
DP1MFS-4220	M42X2	38S	1-1/4"	35.50	90.00	50
DP1MFS-5220	M52X2	38S	1-1/4"	35.00	89.00	60
DP1MFS-5224	M52X2	38S	1-1/2"	48.00	118.00	60

## DP1MFL

Straight Connector Metric Female 24° Cone Light Type – Braided Hose And Spiral Hose

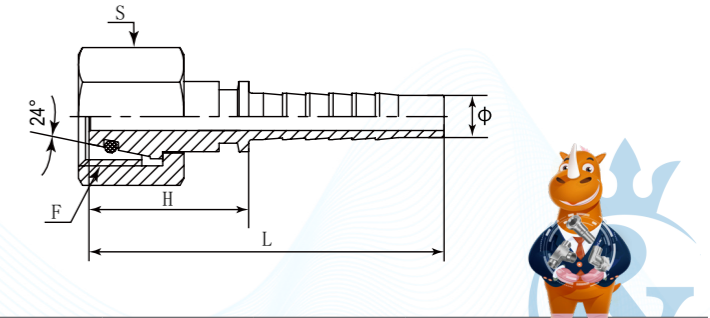
<b>D</b>	<b>P</b>	<b>I</b>	<b>M</b>	<b>F</b>	<b>L</b>
Company	Product Range	Fitting Structure	Thread Types	Connection Type	Pressure Grade
<b>DME</b>	Hose Fitting	Straight	Metric	Female	Light Type

German Technology Equipment

**SHIELD FLEX**

New-Standard

- DME&JDE Code: DP1MFL
- Product Type: Hose Fitting
- Hose Fitting Type: Insert
- Thread Type: Metric 24° Cone Light Type
- Structure: Straight
- Connection Type: Female



PART NUMBER	F (Thread)	Cone 24°	Ø	H	L	S
#	Metric	-	mm	mm	mm	mm
DP1MFL-1204	M12X1.5	06L	1/4"	22.70	49.50	14
DP1MFL-1404	M14X1.5	08L	1/4"	22.70	50.50	17
DP1MFL-1406	M14X1.5	10L	3/8"	23.00	52.80	17
DP1MFL-1604	M16X1.5	10L	1/4"	21.70	49.50	19
DP1MFL-1606	M16X1.5	10L	3/8"	24.80	54.60	19
DP1MFL-1806	M18X1.5	12L	3/8"	25.50	55.30	22
DP1MFL-2206	M22X1.5	15L	3/8"	25.50	55.30	27
DP1MFL-2208	M22X1.5	15L	1/2"	26.00	57.30	27
DP1MFL-2210	M22X1.5	18L	5/8"	25.00	58.80	27
DP1MFL-2610	M26X1.5	18L	5/8"	31.50	65.30	32
DP1MFL-2612	M26X1.5	18L	3/4"	28.00	68.00	32
DP1MFL-3012	M30X2	22L	3/4"	32.20	71.80	36
DP1MFL-3612	M36X2	28L	3/4"	34.70	74.30	41
DP1MFL-3616	M36X2	28L	1"	34.80	82.00	41
DP1MFL-4520	M45X2	35L	1-1/4"	35.00	89.00	55
DP1MFL-5220	M52X2	42L	1-1/4"	39.00	100.00	60
DP1MFL-5224	M52X2	42L	1-1/2"	38.00	106.00	60



## DP1KSF

Straight Connector JIS Metric Female 60° Cone – Braided Hose And Spiral Hose

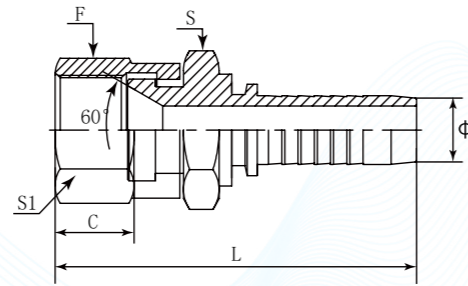
<b>D</b>	<b>P</b>	<b>I</b>	<b>KS</b>	<b>F</b>
Company	Product Range	Fitting Structure	Thread Types	Connection Type
<b>DME</b>	Hose Fitting	Straight	JIS Metric	Female

German Technology Equipment

**SHIELD FLEX**

New-Standard

- DME&JDE Code: **DP1KSF**
- Product Type: **Hose Fitting**
- Hose Fitting Type: **Insert**
- Thread Type: **JIS Metric 60° Cone**
- Structure: **Straight**
- Connection Type: **Female**



PART NUMBER	F (Thread)	Ø	C	L	S	S1
#	Metric	Inch	mm	mm	mm	mm
DP1KSF-1204	M12X1.5	1/4"	9.00	48.50	17.00	17
DP1KSF-1404	M14X1.5	1/4"	10.50	51.50	19.00	19
DP1KSF-1406	M14X1.5	3/8"	10.50	51.00	19.00	19
DP1KSF-1604	M16X1.5	1/4"	10.00	52.50	17.00	22
DP1KSF-1605	M16X1.5	5/16"	10.00	54.00	17.00	22
DP1KSF-1606	M16X1.5	3/8"	10.00	54.00	17.00	22
DP1KSF-1806	M18X1.5	3/8"	11.50	54.00	24.00	24
DP1KSF-1808	M18X1.5	1/2"	11.50	57.50	24.00	24
DP1KSF-2008	M20X1.5	1/2"	12.00	61.50	27.00	24
DP1KSF-2208	M22X1.5	1/2"	14.00	58.50	27.00	27
DP1KSF-2408	M24X1.5	1/2"	15.00	60.50	30.00	30
DP1KSF-2410	M24X1.5	5/8"	15.00	64.00	30.00	30
DP1KSF-3012	M30X1.5	3/4"	18.30	69.50	36.00	36
DP1KSF-3312	M33X1.5	3/4"	21.30	72.00	41.00	41
DP1KSF-3316	M33X1.5	1"	21.30	87.00	41.00	41
DP1KSF-3620	M36X1.5	1-1/4"	20.00	96.50	46.00	46
DP1KSF-4224	M42X1.5	1-1/2"	18.80	107.00	55.00	55

Web: <https://www.dmejde.com>  
E-mail: [info@dmejde.com](mailto:info@dmejde.com)



## DP1BPF

Straight Connector BSPP Swivel Female 60° Cone – Braided Hose And Spiral Hose

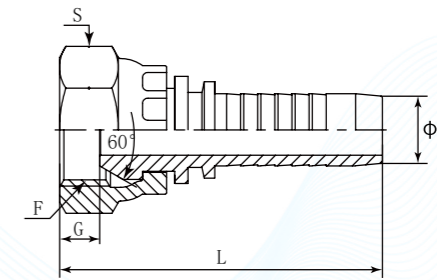
<b>D</b>	<b>P</b>	<b>I</b>	<b>BP</b>	<b>F</b>
Company	Product Range	Fitting Structure	Thread Types	Connection Type
<b>DME</b>	Hose Fitting	Straight	BSPP	Swivel Female

German Technology Equipment

**SHIELD FLEX**

New-Standard

- DME&JDE Code: **DP1BPF**
- Product Type: **Hose Fitting**
- Hose Fitting Type: **Insert**
- Thread Type: **BSPP 60° Cone**
- Structure: **Straight**
- Connection Type: **Swivel Female**



PART NUMBER	F (Thread)	Ø	G	L	S
#	BSPP	mm	mm	mm	mm
DP1BPF-0204	G 1/8"	1/4"	4.3	46.5	14
DP1BPF-0404	G 1/4"	1/4"	5.2	47.2	19
DP1BPF-0604	G 3/8"	1/4"	5.2	49.2	22
DP1BPF-0606	G 3/8"	3/8"	6	50.2	22
DP1BPF-0806	G 1/2"	3/8"	6.5	53.2	27
DP1BPF-0808	G 1/2"	1/2"	6.5	55.7	27
DP1BPF-1008	G 5/8"	1/2"	9.7	57.2	30
DP1BPF-1010	G 5/8"	5/8"	9.7	58.7	30
DP1BPF-1212	G 3/4"	3/4"	8.7	67.6	32
DP1BPF-1616	G 1"	1"	10.5	84.8	41
DP1BPF-2020	G 1-1/4"	1-1/4"	10.1	93.9	50
DP1BPF-2424	G 1-1/2"	1-1/2"	12.5	106.5	55
DP1BPF-3232	G 2"	2"	16.1	113	70

Web: <https://www.dmejde.com>  
E-mail: [info@dmejde.com](mailto:info@dmejde.com)





## DP1JCF

Straight Connector JIC Swivel Female 74° Cone – Braided Hose And Spiral Hose

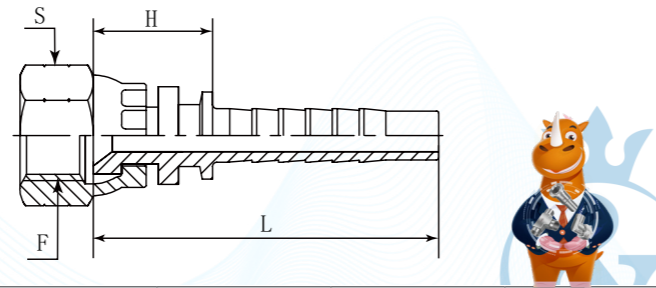
<b>D</b>	<b>P</b>	<b>I</b>	<b>JC</b>	<b>F</b>
Company	Product Range	Fitting Structure	Thread Types	Connection Type
<b>DME</b>	Hose Fitting	Straight	JIC	Swivel Female

German Technology Equipment

**SHIELD FLEX**

New-Standard

- DME&JDE Code: **DP1JCF**
- Product Type: **Hose Fitting**
- Hose Fitting Type: **Insert**
- Thread Type: **JIC 74° Cone**
- Structure: **Straight**
- Connection Type: **Swivel Female**



PART NUMBER	F (Thread)	Ø	H	L	S
#	UNF	mm	mm	mm	mm
DP1JCF-0404	7/16"-20	1/4"	15.20	43.00	17
DP1JCF-0504	1/2"-20	1/4"	15.20	43.00	17
DP1JCF-0505	1/2"-20	5/16"	15.50	45.20	17
DP1JCF-0604	9/16"-18	1/4"	14.70	42.50	19
DP1JCF-0606	9/16"-18	1/4"	15.70	45.50	19
DP1JCF-0806	3/4"-16	3/8"	17.70	47.50	24
DP1JCF-0808	3/4"-16	1/2"	18.20	49.50	24
DP1JCF-1008	7/8"-14	1/2"	19.20	50.50	27
DP1JCF-1010	7/8"-14	5/8"	19.70	53.50	27
DP1JCF-1012	7/8"-14	3/4"	20.70	60.30	27
DP1JCF-1208	1-1/16"-12	1/2"	20.50	51.80	32
DP1JCF-1210	1-1/16"-12	5/8"	21.20	55.00	32
DP1JCF-1212	1-1/16"-12	3/4"	21.40	61.00	32
DP1JCF-1216	1-1/16"-12	1"	22.20	69.70	32
DP1JCF-1612	1-5/16"-12	3/4"	21.70	61.30	41
DP1JCF-1616	1-5/16"-12	1"	22.50	70.00	41
DP1JCF-2016	1-5/8"-12	1"	24.50	72.00	50
DP1JCF-2020	1-5/8"-12	1-1/4"	26.00	80.00	50
DP1JCF-2420	1-7/8"-12	1-1/4"	26.50	80.50	55
DP1JCF-2424	1-7/8"-12	1-1/2"	26.50	94.50	55
DP1JCF-3232	2-1/2"-12	2"	27.00	99.00	70

## DP1TYF

Straight Connector JIS BSPP Swivel Female 60° Cone – Braided Hose And Spiral Hose

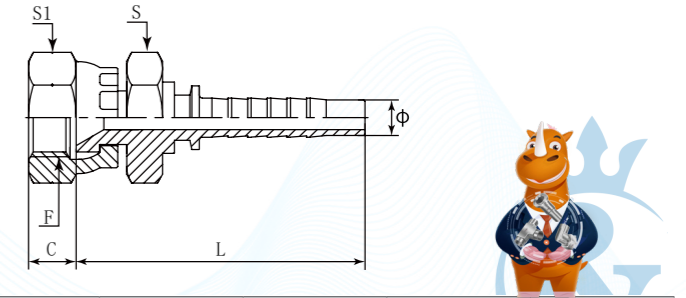
<b>D</b>	<b>P</b>	<b>I</b>	<b>TY</b>	<b>M</b>
Company	Product Range	Fitting Structure	Thread Types	Connection Type
<b>DME</b>	Hose Fitting	Straight	JIS BSPP	Swivel Female

German Technology Equipment

**SHIELD FLEX**

New-Standard

- DME&JDE Code: **DP1TYF**
- Product Type: **Hose Fitting**
- Hose Fitting Type: **Insert**
- Thread Type: **JIC BSPP 60° Cone**
- Structure: **Straight**
- Connection Type: **Swivel Female**



PART NUMBER	F (Thread)	Ø	C	L	S	S1
#	BSPP	Inch	mm	mm	mm	mm
DP1TYF-0404	1/4"-19	1/4"	8.00	48.50	19.00	19
DP1TYF-0604	3/8"-19	1/4"	9.00	51.50	22.00	22
DP1TYF-0606	3/8"-19	3/8"	9.00	53.00	22.00	22
DP1TYF-0806	1/2"-14	3/8"	12.00	58.00	27.00	27
DP1TYF-0808	1/2"-14	1/2"	12.00	57.80	27.00	27
DP1TYF-1010	5/8"-14	1/2"	11.50	66.50	30.00	30
DP1TYF-1210	3/4"-14	5/8"	13.50	66.50	32.00	32
DP1TYF-1212	3/4"-14	3/4"	13.50	71.00	32.00	32
DP1TYF-1616	1"-11	1"	16.00	80.50	41.00	41
DP1TYF-2020	1-1/4"-11	1-1/4"	18.50	104.00	50.00	50
DP1TYF-2424	1-1/2"-11	1-1/2"	19.00	115.00	55.00	55
DP1TYF-3232	2"-11	2"	23.00	122.50	70.00	70



## DP1NPS

Straight Connector NPSM Swivel Female 60° Cone – Braided Hose And Spiral Hose

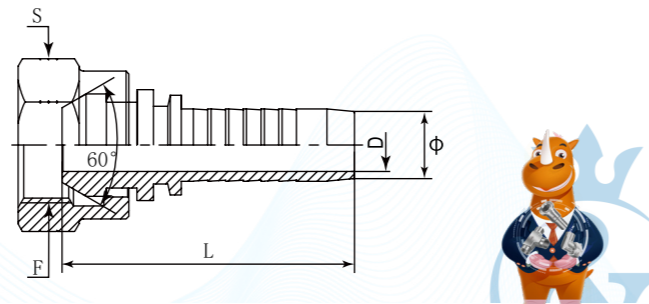
<b>D</b>	<b>P</b>	<b>1</b>	<b>NPS</b>
Company	Product Range	Fitting Structure	Thread Types
<b>DME</b>	Hose Fitting	Straight	NPSM

German Technology Equipment

**SHIELD FLEX**

New-Standard

- DME&JDE Code: **DP1NPS**
- Product Type: **Hose Fitting**
- Hose Fitting Type: **Insert**
- Thread Type: **NPTF 60° Cone**
- Structure: **Straight**
- Connection Type: **Swivel Female**



PART NUMBER	F (Thread)	Ø	L	S
#	NPSM	Inch	mm	mm
DP1NPS-0404	1/4"-18	1/4"	45.50	19
DP1NPS-0606	3/8"-18	3/8"	49.70	22
DP1NPS-0806	1/2"-14	3/8"	53.20	27
DP1NPS-0808	1/2"-14	1/2"	55.70	27
DP1NPS-1212	3/4"-14	3/4"	67.60	32
DP1NPS-1616	1"-11-1/2	1"	84.80	41
DP1NPS-2020	1-1/4"-11-1/2	1-1/4"	93.90	50
DP1NPS-2424	1-1/2"-11-1/2	1-1/2"	106.50	55
DP1NPS-3232	2"-11-1/2	2"	113.00	70

## DP1FL

Straight Connector SAE Flange Code 61 – Braided Hose And Spiral Hose

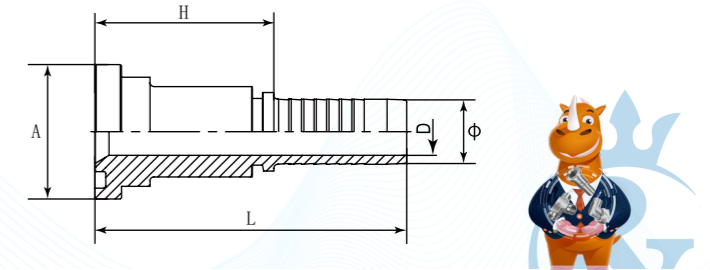
<b>D</b>	<b>P</b>	<b>1</b>	<b>FL</b>
Company	Product Range	Fitting Structure	Connection Type
<b>DME</b>	Hose Fitting	Straight	SAE Flange Code 61

German Technology Equipment

**SHIELD FLEX**

New-Standard

- DME&JDE Code: **DP1FL**
- Product Type: **Hose Fitting**
- Hose Fitting Type: **Insert**
- Structure: **Straight**
- Connection Type: **Flange Code 61**



PART NUMBER	Flange	Ø	H	L	A
#	-	Inch	mm	mm	mm
DP1FL-0808	8	1/2"	48.50	81.50	30.20
DP1FL-0810	8	5/8"	46.50	82.50	30.20
DP1FL-1212	12	3/4"	53.50	94.50	38.00
DP1FL-1612	16	3/4"	59.50	100.50	44.50
DP1FL-1616	16	1"	60.50	115.50	44.50
DP1FL-2016	20	1"	65.00	120.00	50.80
DP1FL-2020	20	1-1/4"	65.50	126.50	50.80
DP1FL-2420	24	1-1/4"	70.00	130.00	60.40
DP1FL-2424	24	1-1/2"	70.50	141.00	60.40
DP1FL-3232	32	2"	77.00	153.00	71.40



## DP1FS

Straight Connector SAE Flange Code 62 – Braided Hose And Spiral Hose

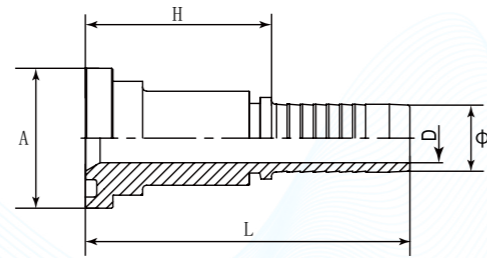
<b>D</b>	<b>P</b>	<b>I</b>	<b>FS</b>
Company	Product Range	Fitting Structure	Connection Type
<b>DME</b>	Hose Fitting	Straight	SAE Flange Code 62

German Technology Equipment

**SHIELD FLEX**

New-Standard

- DME&JDE Code: **DP1FS**
- Product Type: **Hose Fitting**
- Hose Fitting Type: **Insert**
- Structure: **Straight**
- Connection Type: **Flange Code 62**



PART NUMBER	Flange	Ø	H	L	A	D
#	-	Inch	mm	mm	mm	mm
DP1FS-0808	8	1/2"	49.50	82.50	31.80	9.00
DP1FS-0810	8	5/8"	53.00	89.00	31.80	9.00
DP1FS-1212	12	3/4"	60.00	89.80	41.20	15.00
DP1FS-1612	16	3/4"	62.50	103.50	47.80	9.60
DP1FS-1616	16	1"	66.50	104.00	47.80	20.00
DP1FS-2016	20	1"	70.50	120.00	53.90	26.00
DP1FS-2020	20	1-1/4"	71.00	132.00	53.90	10.40
DP1FS-2420	24	1-1/4"	80.50	141.50	63.50	12.70
DP1FS-2424	24	1-1/2"	81.00	151.50	63.50	12.70
DP1FS-3232	32	2"	100.00	176.00	79.40	12.70

Web: <https://www.dmejde.com>  
E-mail: [info@dmejde.com](mailto:info@dmejde.com)



## DP1MP

Straight Connector Metric Standard Pipe DIN Type

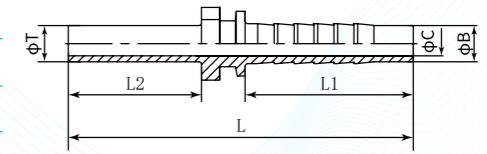
<b>D</b>	<b>P</b>	<b>I</b>	<b>M</b>	<b>P</b>
Company	Product Range	Fitting Structure	Thread Types	Connection Type
<b>DME</b>	Hose Fitting	Straight	Metric	Standard Pipe

German Technology Equipment

**SHIELD FLEX**

New-Standard

- DME&JDE Code: **DP1MP**
- Product Type: **Hose Fitting**
- Hose Fitting Type: **Insert**
- Thread Type: **Metric**
- Structure: **Straight**



PART NUMBER	T (Pipe Dia.)	B (Hose Bore)	L	L1	L2	C
#	mm	mm	mm	mm	mm	mm
DP1MP-0603	6L	3/16"	52	24	24	3
DP1MP-0604	6L	1/4"	57	28	25	3
DP1MP-0803	8L	3/16"	52	24	24	3
DP1MP-0804	8L	1/4"	58.5	28	25	4
DP1MP-0805	8L	5/16"	60.7	28	27	4.9
DP1MP-0806	8L	3/8"	60.8	29.5	26.5	6.9
DP1MP-1005	10L	5/16"	63.2	28	27	4.9
DP1MP-1006	10L	3/8"	63.3	29.5	26.5	6.9
DP1MP-1004	10S	1/4"	61	28	28	4
DP1MP-1206	12L	3/8"	62.8	29.5	26.5	6.9
DP1MP-1208	12L	1/2"	64.8	29.5	28	9.5
DP1MP-1204	12S	1/4"	59	28	26.5	4
DP1MP-1205	12S	5/16"	62.7	28	26	4.9
DP1MP-1406	14S	3/8"	67.5	29.5	33	7
DP1MP-1408	14S	1/2"	66.8	29.5	33	9.3
DP1MP-1506	15L	3/8"	64.8	29.5	27.5	6.9
DP1MP-1508	15L	1/2"	65	29.5	30	9.5
DP1MP-1608	16S	1/2"	68	29.5	35	9.3
DP1MP-1808	18L	1/2"	65	29.5	30.5	9.5
DP1MP-1810	18L	5/8"	68	34	30	13
DP1MP-1812	18L	3/4"	76	39	30	15
DP1MP-2008	20S	1/2"	74.5	29.5	39.5	9.5
DP1MP-2010	20S	5/8"	86.3	34	37.7	13
DP1MP-2012	20S	3/4"	92.1	39	40	15
DP1MP-2210	22L	5/8"	72.8	34	33	12
DP1MP-2212	22L	3/4"	83	39	37	15
DP1MP-2512	25S	3/4"	95.3	39	44.3	15
DP1MP-2516	25S	1"	93	47	39	19
DP1MP-2816	28L	1"	93	47	39	19
DP1MP-3016	30S	1"	95	47	41	19
DP1MP-3520	35L	1-1/4"	110	54.5	47	26
DP1MP-3820	38S	1-1/4"	110	54.5	47	26
DP1MP-4224	42L	1-1/2"	112.5	58	46	32



Web: <https://www.dmejde.com>  
E-mail: [info@dmejde.com](mailto:info@dmejde.com)





## DP4MP

45° Elbow Metric Standard Pipe DIN Type – Braided Hose And Spiral Hose

<b>D</b>	<b>P</b>	<b>4</b>	<b>M</b>	<b>P</b>
Company	Product Range	Fitting Structure	Thread Types	Connection Type
<b>DME</b>	Hose Fitting	45° Elbow	Metric	Standard Pipe

German Technology Equipment

**SHIELD FLEX**

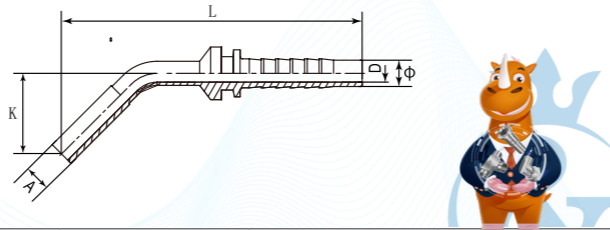
New-Standard

DME&JDE Code: **DP4MP**

Product Type: **Hose Fitting**

Hose Fitting Type: **Insert**

Structure: **45° Elbow**



PART NUMBER	A	Ø	D	L	K
#	mm	Inch	mm	mm	mm
DP4MP-0603	6	3/16"	2.50	58.00	14.00
DP4MP-0604	6	1/4"	4.00	75.50	26.50
DP4MP-0804	8	1/4"	4.00	78.00	28.00
DP4MP-1004	10	1/4"	4.00	82.50	29.50
DP4MP-1005	10	5/16"	4.90	80.70	17.00
DP4MP-1006	10	3/8"	6.90	82.80	27.14
DP4MP-1205	12	5/16"	4.90	83.00	18.00
DP4MP-1206	12	3/8"	6.90	81.80	17.00
DP4MP-1406	14	3/8"	6.90	84.00	18.00
DP4MP-1408	14	1/2"	9.30	100.70	33.70
DP4MP-1508	15	1/2"	9.30	99.30	31.50
DP4MP-1608	22	1/2"	15.00	120.10	30.00
DP4MP-1810	18	5/8"	13.00	102.80	24.00
DP4MP-2010	20	5/8"	13.00	106.00	25.00
DP4MP-2012	20	3/4"	15.00	123.60	28.00
DP4MP-2212	22	3/4"	15.00	125.00	29.00
DP4MP-2512	25	3/4"	15.00	127.00	30.00
DP4MP-2816	28	1"	20.00	151.50	33.00
DP4MP-3016	30	1"	20.00	155.00	35.00
DP4MP-3520	35	1-1/4"	26.00	174.00	52.00
DP4MP-3820	38	1-1/4"	26.00	176.00	54.00

## DP9MP

90° Elbow Metric Standard Pipe DIN Type – Braided Hose And Spiral Hose

<b>D</b>	<b>P</b>	<b>9</b>	<b>M</b>	<b>P</b>
Company	Product Range	Fitting Structure	Thread Types	Connection Type
<b>DME</b>	Hose Fitting	90° Elbow	Metric	Standard Pipe

German Technology Equipment

**SHIELD FLEX**

New-Standard

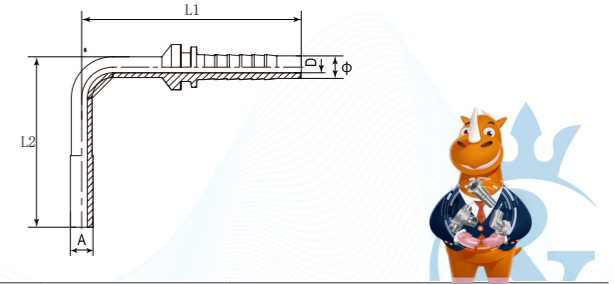
DME&JDE Code: **DP9MP**

Product Type: **Hose Fitting**

Hose Fitting Type: **Insert**

Structure: **90° Elbow**

Thread Types: **Metric**



PART NUMBER	A	Ø	D	L1	L2
#	mm	Inch	mm	mm	mm
DP9MP-0603	6	3/16"	3.00	49.00	32.00
DP9MP-0604	6	1/4"	4.00	52.00	32.00
DP9MP-0803	8	3/16"	3.00	54.00	34.00
DP9MP-0804	8	1/4"	4.00	57.00	34.00
DP9MP-0805	8	5/16"	4.90	54.70	34.00
DP9MP-1004	10	1/4"	4.00	60.00	40.00
DP9MP-1005	10	5/16"	4.90	56.70	40.00
DP9MP-1006	10	3/8"	6.90	56.80	40.00
DP9MP-1204	12	1/4"	4.00	62.00	44.00
DP9MP-1205	12	5/16"	4.90	63.20	44.00
DP9MP-1206	12	3/8"	6.90	65.00	45.00
DP9MP-1406	14	3/8"	6.90	68.30	46.00
DP9MP-1408	14	1/2"	9.30	74.80	46.00
DP9MP-1506	15	3/8"	6.90	70.00	46.00
DP9MP-1508	15	1/2"	6.90	72.00	46.00
DP9MP-1608	16	1/2"	9.30	75.00	46.00
DP9MP-1808	18	1/2"	9.30	76.00	48.00
DP9MP-1810	18	5/8"	13.00	78.00	50.00
DP9MP-2010	20	5/8"	13.00	82.00	55.00
DP9MP-2012	20	3/4"	15.00	89.00	70.00
DP9MP-2210	22	5/8"	13.00	92.00	70.00
DP9MP-2212	22	3/4"	15.00	95.60	70.00
DP9MP-2512	25	3/4"	15.00	102.00	75.00
DP9MP-2816	28	1"	20.00	120.70	83.50
DP9MP-3016	30	1"	22.00	125.00	85.00
DP9MP-3520	35	1-1/4"	24.00	130.00	88.00
DP9MP-3820	38	1-1/4"	28.00	140.00	90.00

Certificate:

## DP1WF

Straight Connector Metric Female – Braided Hose And Spiral Hose

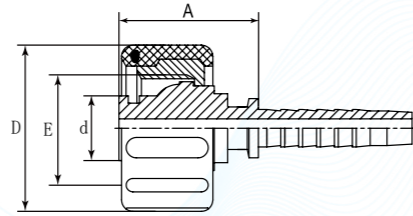
<b>D</b>	<b>P</b>	<b>I</b>	<b>W</b>	<b>F</b>
Company	Product Range	Fitting Structure	Medium	Connection Type
<b>DME</b>	Hose Fitting	Straight	Water	Female

German Technology Equipment

**SHIELD FLEX**

New-Standard

- DME&JDE Code: **DP1WF**
- Product Type: **Hose Fitting**
- Hose Fitting Type: **Insert**
- Structure: **Straight**
- Thread Types: **Metric**
- Connection Type: **Female**



PART NUMBER	E (Thread)	A	d	D
#	METRIC	mm	mm	mm
DP1WF-2204	M22X1.5	32.70	14.00	34.50
DP1WF-2205	M22X1.5	32.70	14.00	34.50
DP1WF-2206	M22X1.5	32.70	14.00	34.50

## DPSTS

Socket Weld – Braided Hose And Spiral Hose

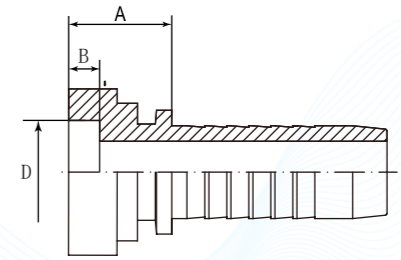
<b>D</b>	<b>P</b>	<b>S</b>	<b>S</b>	<b>TS</b>
Company	Product Range	Fitting Structure	Fitting Structure	Connection Type
<b>DME</b>	Hose Fitting	Socket	Socket	Weld Tube

German Technology Equipment

**SHIELD FLEX**

New-Standard

- DME&JDE Code: **DPSTS**
- Product Type: **Hose Fitting**
- Hose Fitting Type: **Insert**



PART NUMBER	D	Ø	A	B
#	mm	Inch	mm	mm
DPSTS-0806	8	3/8"	14.5	5
DPSTS-0906	9	3/8"	14.5	5
DPSTS-1006	10	3/8"	14.5	5
DPSTS-1008	10	1/2"	12.5	5
DPSTS-1308	13	1/2"	15	5
DPSTS-1510	15	3/8"	15.5	5
DPSTS-1612	16	3/4"	14	5
DPSTS-2012	20	3/4"	16.5	5
DPSTS-2216	22	1"	18	5



## DDC

Pushlock Hose Joiner

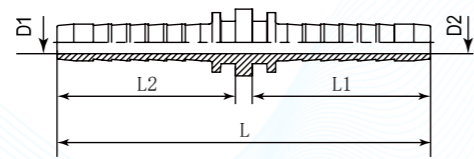
**D** **DC**  
Company Connection Type  
**DME** Push lock

German Technology Equipment

**SHIELD FLEX**

New-Standard

- DME&JDE Code: DDC
- Product Type: Hose Fitting
- Hose Fitting Type: Insert
- Structure: Straight
- Connection Type: Push lock



PART NUMBER	D1	D2	L1	L2	L
#	mm	mm	mm	mm	mm
DDC-04	4.00	4.00	32.00	32.00	67.00
DDC-05	4.90	4.90	34.20	34.20	71.40
DDC-06	6.90	6.90	34.30	34.30	71.60
DDC-08	9.30	9.30	36.30	36.30	75.60
DDC-10	13.00	13.00	39.30	39.30	82.60
DDC-12	15.00	15.00	45.30	45.30	94.60
DDC-16	20.00	20.00	54.00	54.00	112.00
DDC-20	26.00	26.00	62.00	62.00	132.00
DDC-24	32.00	32.00	76.00	76.00	160.00
DDC-32	44.20	44.20	80.00	80.00	170.00

Web: <https://www.dmejde.com>  
E-mail: [info@dmejde.com](mailto:info@dmejde.com)



## BJBMP

Banjo Bolt Metric Male

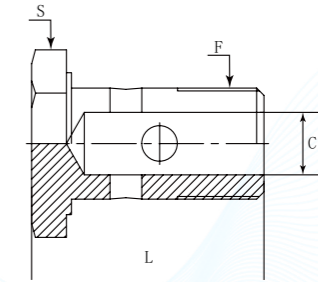
**BJB** **MP**  
Other Features Connection Type  
Banjo Bolt Metric Male

German Technology Equipment

**SHIELD FLEX**

New-Standard

- DME&JDE Code: BJBMP
- Product Type: Hose Fitting
- Hose Fitting Type: Insert
- Thread Type: Metric
- Connection Type: Male
- Other Features: Banjo



PART NUMBER	F (Thread)	C	L	S
#	Metric	mm	mm	mm
BJBMP-08	M8X1	4	23	12
BJBMP-12	M12X1.5	6	30	17
BJBMP-16	M16X1.5	9	45	22
BJBMP-18	M18X1.5	11	40	24
BJBMP-20	M20X1.5	11	48	27
BJBMP-22	M22X1.5	16	48.5	27
BJBMP-26	M26X1.5	18	55	32
BJBMP-30	M30X1.5	24	58	36
BJBMP-30	M30X1.5	24	58	36

Web: <https://www.dmejde.com>  
E-mail: [info@dmejde.com](mailto:info@dmejde.com)





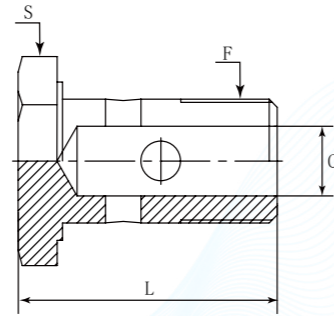
## BJBM

Banjo Bolt Metric Male

- BJB**  
Other Features  
Banjo Bolt
- M**  
Connection Type  
Metric Male

**German Technology Equipment**  
  
 New-Standard

- DME&JDE Code:** BJBM
- Product Type:** Hose Fitting
- Hose Fitting Type:** Insert
- Thread Type:** Metric
- Connection Type:** Male
- Other Features:** Banjo



PART NUMBER	F (Thread)	C	L	S
#	Metric	mm	mm	mm
BJBM-08	8X1	4	23	12
BJBM-10	10X1	4	25	17
BJBM-12	12X1.5	6	31	17
BJBM-14	14X1.5	8	35	19
BJBM-16	16X1.5	9	41	22
BJBM-18	18X1.5	10	44	24
BJBM-22	22X1.5	12.5	51.5	27
BJBM-26	26X1.5	16	55	32
BJBM-30	30X2	19	57	36

Web: <https://www.dmejde.com>  
 E-mail: [info@dmejde.com](mailto:info@dmejde.com)



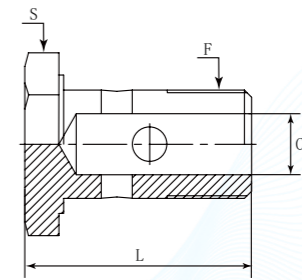
## BJBBP

Banjo Bolt BSPP Male

- BJB**  
Other Features  
Banjo Bolt
- BP**  
Connection Type  
BSPP Male

**German Technology Equipment**  
  
 New-Standard

- DME&JDE Code:** BJBBP
- Product Type:** Hose Fitting
- Hose Fitting Type:** Insert
- Thread Type:** BSPP
- Connection Type:** Male
- Other Features:** Banjo



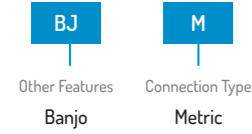
PART NUMBER	F (Thread)	C	L	S
#	BSPP	mm	mm	mm
BJBBP-02	1/8"	5	30	17
BJBBP-04	1/4"	6	33	19
BJBBP-06	3/8"	9	39	22
BJBBP-08	1/2"	11	52	27
BJBBP-10	5/8"	13	55	30
BJBBP-12	3/4"	15	59	32
BJBBP-16	1"	17.5	71	41

Web: <https://www.dmejde.com>  
 E-mail: [info@dmejde.com](mailto:info@dmejde.com)



## BJM

Banjo Metric

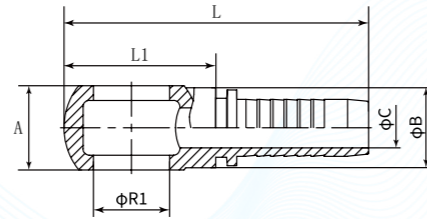


German Technology Equipment

**SHIELD FLEX**

New-Standard

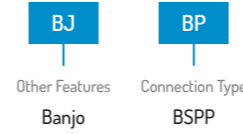
- DME&JDE Code: **BJM**
- Product Type: **Hose Fitting**
- Hose Fitting Type: **Insert**
- Thread Type: **Metric**



PART NUMBER	R1 (Thread)	B	L	L1	A	C
#	METRIC	mm	mm	mm	mm	mm
BJM-1003	10X1.5	3/16"	44.5	19	10	3
BJM-1004	10X1.5	1/4"	51.87	18.87	10.2	4
BJM-1204	12X1.5	1/4"	65.9	34	14	4
BJM-1205	12X1.5	5/16"	58.5	25.5	12.2	5.5
BJM-1206	12X1.5	3/8"	55	24.5	12	7
BJM-1404	14X1.5	1/4"	60.5	34	14	4
BJM-1405	14X1.5	5/16"	61	30.4	14	5.5
BJM-1406	14X1.5	3/8"	62.8	38	14	7
BJM-1604	16X1.5	1/4"	62.5	30	16	4
BJM-1605	16X1.5	5/16"	67	34	17	5.5
BJM-1606	16X1.5	3/8"	72.5	38	17	7
BJM-1804	18X1.5	1/4"	68	35.5	20	4
BJM-1805	18X1.5	5/16"	68	35.5	20	5.5
BJM-1806	16X1.5	3/8"	70.3	37.5	20	7
BJM-1808	18X1.5	1/2"	80.5	45.5	22	9.5
BJM-2206	22X1.5	3/8"	77.6	58.1	25	7
BJM-2208	22X1.5	1/2"	80.5	45.5	23.5	9.5
BJM-2210	22X1.5	5/8"	83.5	41.5	25	12
BJM-2612	26X1.5	3/4"	91.5	45.5	22	15
BJM-3012	30X1.5	3/4"	116	71	30	15
BJM-3016	30X1.5	1"	111	57	36	21
BJM-3020	30X1.5	1-1/4"	122	57	36	27

## BJBP

Banjo BSPP

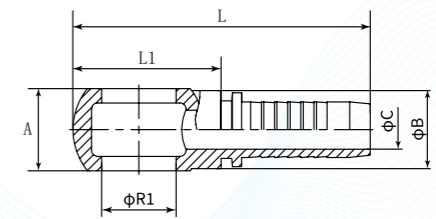


German Technology Equipment

**SHIELD FLEX**

New-Standard

- DME&JDE Code: **BJBP**
- Product Type: **Hose Fitting**
- Hose Fitting Type: **Insert**
- Thread Type: **BSPP**



PART NUMBER	R1 (Thread)	B	L	L1	A	C
#	BSPP	mm	mm	mm	mm	mm
BJBP-0204	1/8"	1/4"	58.5	26	16	4
BJBP-0404	1/4"	1/4"	65.9	34	14	4
BJBP-0406	1/4"	3/8"	61.5	27	15	7
BJBP-0604	3/8"	1/4"	64.5	32	15	7
BJBP-0605	3/8"	5/16"	67	34	17	5.5
BJBP-0606	3/8"	3/8"	72.5	38	17	7
BJBP-0806	1/2"	3/8"	80	45.5	23.5	7
BJBP-0808	1/2"	1/2"	80.5	45.5	23.5	9.5
BJBP-1212	3/4"	3/4"	99.8	53.8	29	15
BJBP-1616	1"	1"	126.5	72.5	38	19



## DP4MFL

45° Elbow Metric Female 24° Cone Light Type – Braided Hose And Spiral Hose

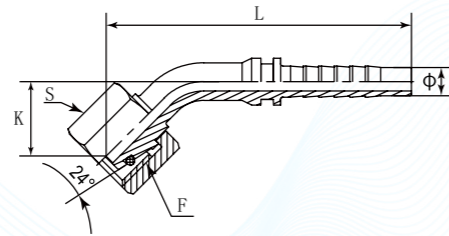
German Technology Equipment



New-Standard

- D**  
Company  
**DME**
- P**  
Product Range  
Hose Fitting
- 4**  
Fitting Structure  
45° Elbow
- M**  
Thread Types  
Metric
- F**  
Connection Type  
Female
- L**  
Pressure Grade  
Light Type

- DME&JDE Code:** DP4MFL
- Product Type:** Hose Fitting
- Hose Fitting Type:** Insert
- Thread Type:** Metric 24° Cone Light Type
- Structure:** 45° Elbow
- Connection Type:** Female



PART NUMBER	F (Thread)	Cone 24°	Ø	K	L	S
#	Metric	-	mm	mm	mm	mm
DP4MFL-1204	M12X1.5	06L	1/4"	20.00	70.80	14
DP4MFL-1404	M14X1.5	08L	1/4"	16.00	69.00	17
DP4MFL-1604	M16X1.5	10L	1/4"	17.00	65.80	19
DP4MFL-1606	M16X1.5	10L	3/8"	17.00	75.80	19
DP4MFL-1806	M18X1.5	12L	3/8"	23.00	74.80	22
DP4MFL-2206	M22X1.5	15L	3/8"	17.00	77.80	27
DP4MFL-2208	M22X1.5	15L	1/2"	25.80	83.30	27
DP4MFL-2610	M26X1.5	18L	5/8"	30.00	95.80	32
DP4MFL-2612	M26X1.5	22L	3/4"	30.00	107.60	32
DP4MFL-3012	M30X2	22L	3/4"	30.00	107.60	36
DP4MFL-3612	M36X2	22L	3/4"	38.00	107.60	46
DP4MFL-3616	M36X2	28L	1"	38.00	128.50	46
DP4MFL-4520	M45X2	35L	1-1/4"	45.00	147.00	55
DP4MFL-5220	M52X2	35L	1-1/4"	51.00	147.00	60
DP4MFL-5224	M52X2	42L	1-1/2"	51.00	164.00	60



## DP4MFS

45° Elbow Metric Female 24° Cone Heavy Type – Braided Hose And Spiral Hose

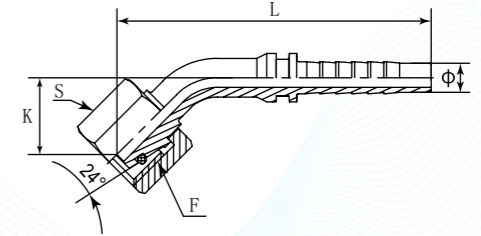
German Technology Equipment



New-Standard

- D**  
Company  
**DME**
- P**  
Product Range  
Hose Fitting
- 4**  
Fitting Structure  
45° Elbow
- M**  
Thread Types  
Metric
- F**  
Connection Type  
Female
- S**  
Pressure Grade  
Heavy Type

- DME&JDE Code:** DP4MFS
- Product Type:** Hose Fitting
- Hose Fitting Type:** Insert
- Thread Type:** Metric 24° Cone Heavy Type
- Structure:** 45° Elbow
- Connection Type:** Female



PART NUMBER	F (Thread)	Cone 24°	Ø	K	L	S
#	Metric	-	mm	mm	mm	mm
DP4MFS-1404	M14X1.5	06S	1/4"	16.00	65.80	17
DP4MFS-1604	M16X1.5	08S	1/4"	17.00	65.80	19
DP4MFS-1804	M18X1.5	10S	1/4"	20.60	70.80	22
DP4MFS-2006	M20X1.5	12S	3/8"	25.00	78.80	24
DP4MFS-2208	M22X1.5	14S	1/2"	24.00	97.00	27
DP4MFS-2408	M24X1.5	16S	1/2"	25.50	93.30	30
DP4MFS-3010	M30X2	20S	5/8"	24.00	101.80	36
DP4MFS-3012	M30X2	20S	3/4"	31.00	122.60	36
DP4MFS-3612	M36X2	25S	3/4"	36.00	131.00	46
DP4MFS-3616	M36X2	25S	1"	33.00	126.50	46
DP4MFS-4216	M42X2	30S	1"	41.00	136.50	50
DP4MFS-4220	M42X2	30S	1-1/4"	53.00	199.00	50
DP4MFS-5220	M52X2	38S	1-1/4"	54.00	200.00	60
DP4MFS-5224	M52X2	38S	1-1/2"	57.00	232.00	60





## DP4KSF

45° Elbow Metric Female 60° Cone – Braided Hose And Spiral Hose

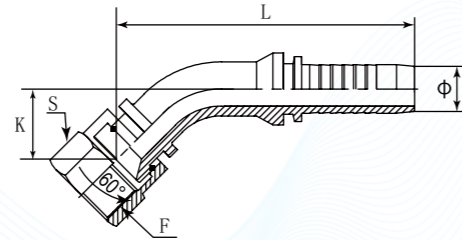
<b>D</b>	<b>P</b>	<b>4</b>	<b>KS</b>	<b>F</b>
Company	Product Range	Fitting Structure	Thread Types	Connection Type
<b>DME</b>	Hose Fitting	45° Elbow	JIS Metric	Female

German Technology Equipment

**SHIELD FLEX**

New-Standard

- DME&JDE Code: **DP4KSF**
- Product Type: **Hose Fitting**
- Hose Fitting Type: **Insert**
- Thread Type: **JIS Metric 60° Cone**
- Structure: **45° Elbow**
- Connection Type: **Female**



PART NUMBER	F (Thread)	Ø	L	K	S
#	Metric	Inch	mm	mm	mm
DP4KSF-1204	M12X1.5	1/4"	67.00	17.00	17
DP4KSF-1404	M14X1.5	1/4"	71.90	21.30	19
DP4KSF-1604	M16X1.5	1/4"	75.00	22.00	22
DP4KSF-1605	M16X1.5	5/16"	77.60	24.30	22
DP4KSF-1606	M16X1.5	3/8"	78.00	24.50	24
DP4KSF-1806	M18X1.5	3/8"	79.20	24.90	24
DP4KSF-1808	M18X1.5	1/2"	84.00	25.50	27
DP4KSF-2008	M20X1.5	1/2"	90.00	26.50	27
DP4KSF-2208	M22X1.5	1/2"	95.10	27.20	27
DP4KSF-2408	M24X1.5	1/2"	105.00	28.50	27
DP4KSF-2410	M24X1.5	5/8"	110.70	29.90	32
DP4KSF-3012	M30X1.5	3/4"	119.00	33.50	36
DP4KSF-3312	M33X1.5	3/4"	135.00	34.00	36
DP4KSF-3316	M33X1.5	1"	144.90	35.70	41
DP4KSF-3620	M36X1.5	1-1/4"	165.10	41.90	46
DP4KSF-4224	M42X1.5	1-1/2"	190.70	49.00	55

## DP4ORF

45° Elbow ORFS Female – Braided Hose And Spiral Hose

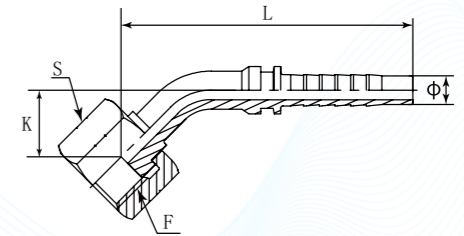
<b>D</b>	<b>P</b>	<b>4</b>	<b>OR</b>	<b>F</b>
Company	Product Range	Fitting Structure	Thread Types	Connection Type
<b>DME</b>	Hose Fitting	45° Elbow	ORFS	Female

German Technology Equipment

**SHIELD FLEX**

New-Standard

- DME&JDE Code: **DP4ORF**
- Product Type: **Hose Fitting**
- Hose Fitting Type: **Insert**
- Thread Type: **UNF**
- Structure: **45° Elbow**
- Connection Type: **Female**



PART NUMBER	F (Thread)	Ø	L	K	S
#	UNF	Inch	mm	mm	mm
DP4ORF-0404	9/16"-18	1/4"	64.00	14.00	19
DP4ORF-0604	11/16"-16	1/4"	65.50	15.00	22
DP4ORF-0606	11/16"-16	3/8"	79.00	17.00	22
DP4ORF-0806	13/16"-16	3/8"	81.50	18.00	27
DP4ORF-0808	13/16"-16	1/2"	91.00	23.00	27
DP4ORF-1008	1"-14	1/2"	93.00	23.00	30
DP4ORF-1010	1"-14	5/8"	109.50	26.00	30
DP4ORF-1210	1-3/16"-12	5/8"	11.50	27.00	36
DP4ORF-1212	1-3/16"-12	3/4"	123.50	27.00	36
DP4ORF-1616	1-7/16"-12	1"	157.50	30.00	41
DP4ORF-2020	1-11/16"-12	1-1/4"	187.50	44.00	50
DP4ORF-2424	2"-12	1-1/2"	219.50	36.50	60

Certificate: **ISO 9001** **ISO 14001** **MSHA** **DAkKS** **DEKRA** **DIN** **SE** **MA** **USF**



## DP4BPF

45° Elbow BSPP Swivel Female 60° Cone – Braided Hose And Spiral Hose

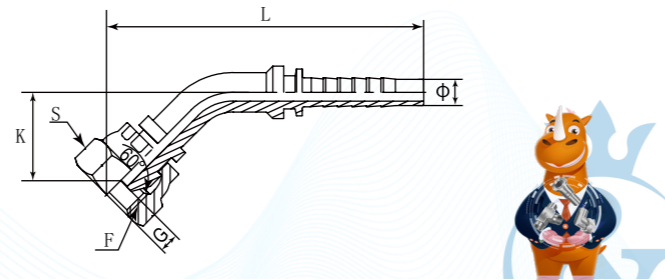
<b>D</b>	<b>P</b>	<b>4</b>	<b>BP</b>	<b>F</b>
Company	Product Range	Fitting Structure	Thread Types	Connection Type
<b>DME</b>	Hose Fitting	45° Elbow	BSPP	Swivel Female

German Technology Equipment

**SHIELD FLEX**

New-Standard

- DME&JDE Code: DP4BPF
- Product Type: Hose Fitting
- Hose Fitting Type: Insert
- Thread Type: BSPP 60° Cone
- Structure: 45° Elbow
- Connection Type: Swivel Female



PART NUMBER	F (Thread)	Ø	G	K	L	S
#	BSPP	mm	mm	mm	mm	mm
DP4BPF-0204	G 1/8"	1/4"	4.30	15.00	66.50	14
DP4BPF-0404	G 1/4"	1/4"	5.20	15.00	68.50	19
DP4BPF-0604	G 3/8"	1/4"	5.20	18.00	71.00	22
DP4BPF-0606	G 3/8"	3/8"	6.00	19.00	84.00	22
DP4BPF-0806	G 1/2"	3/8"	6.50	21.00	87.00	27
DP4BPF-0808	G 1/2"	1/2"	6.50	24.00	97.00	27
DP4BPF-1008	G 5/8"	1/2"	9.70	25.50	98.00	30
DP4BPF-1010	G 5/8"	5/8"	9.70	23.00	114.50	30
DP4BPF-1212	G 3/4"	3/4"	8.70	30.00	129.50	32
DP4BPF-1616	G 1"	1"	10.50	35.00	165.00	41
DP4BPF-2020	G 1-1/4"	1-1/4"	10.10	52.00	199.00	50
DP4BPF-2424	G 1-1/2"	1-1/2"	12.50	47.00	233.00	55
DP4BPF-3232	G 2"	2"	16.10	66.50	282.00	70

## DP4JCF

45° Elbow JIC Swivel Female 74° Cone – Braided Hose And Spiral Hose

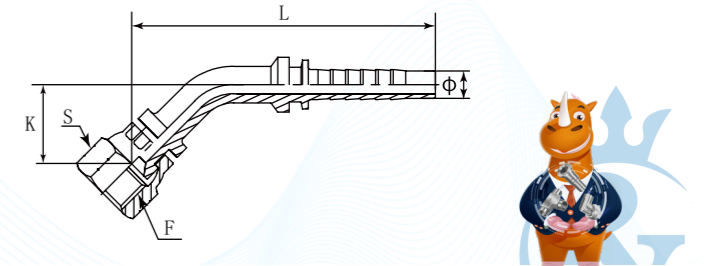
<b>D</b>	<b>P</b>	<b>4</b>	<b>JC</b>	<b>F</b>
Company	Product Range	Fitting Structure	Thread Types	Connection Type
<b>DME</b>	Hose Fitting	45° Elbow	JIC	Swivel Female

German Technology Equipment

**SHIELD FLEX**

New-Standard

- DME&JDE Code: DP4JCF
- Product Type: Hose Fitting
- Hose Fitting Type: Insert
- Thread Type: JIC 74° Cone
- Structure: 45° Elbow
- Connection Type: Swivel Female



PART NUMBER	F (Thread)	Ø	L	K	S
#	UNF	mm	mm	mm	mm
DP4JCF-0404	7/16"-20	1/4"	65.80	14.00	17
DP4JCF-0504	1/2"-20	1/4"	67.80	14.00	17
DP4JCF-0604	9/16"-18	1/4"	66.20	17.40	19
DP4JCF-0606	9/16"-18	3/8"	80.80	17.00	19
DP4JCF-0806	3/4"-16	3/8"	81.80	17.00	24
DP4JCF-0808	3/4"-16	1/2"	96.30	22.00	24
DP4JCF-1008	7/8"-14	1/2"	95.30	23.00	27
DP4JCF-1010	7/8"-14	5/8"	101.80	24.00	27
DP4JCF-1012	7/8"-14	3/4"	123.60	24.00	32
DP4JCF-1210	1-1/16"-12	5/8"	103.80	25.00	32
DP4JCF-1212	1-1/16"-12	3/4"	123.60	28.00	32
DP4JCF-1216	1-1/16"-12	1"	151.50	28.00	32
DP4JCF-1612	1-5/16"-12	3/4"	127.60	30.00	41
DP4JCF-1616	1-5/16"-12	1"	151.50	33.00	41
DP4JCF-2016	1-5/8"-12	1"	151.50	33.00	50
DP4JCF-2020	1-5/8"-12	1-1/4"	174.00	52.00	50
DP4JCF-2420	1-7/8"-12	1-1/4"	174.00	42.00	55
DP4JCF-2424	1-7/8"-12	1-1/2"	184.00	42.00	55
DP4JCF-3232	2-1/2"-12	2"	242.00	68.00	75

Certificate: ISO 9001, ISO 14001, MSHA, DAkkS, DEKRA, DIN, SAE, MA, WSF

## DP4TYF

45° Elbow JIS BSPP Swivel Female 60° Cone – Braided Hose And Spiral Hose

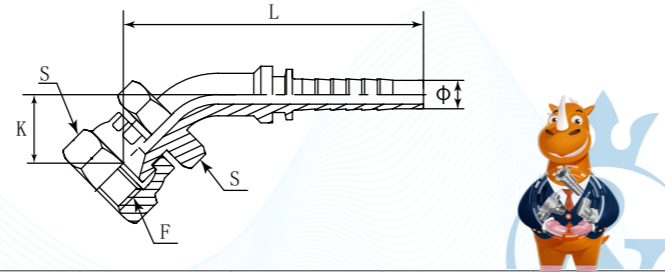
<b>D</b>	<b>P</b>	<b>4</b>	<b>TY</b>	<b>F</b>
Company	Product Range	Fitting Structure	Thread Types	Connection Type
<b>DME</b>	Hose Fitting	45° Elbow	JIS BSPP	Swivel Female

German Technology Equipment

**SHIELD FLEX**

New-Standard

- DME&JDE Code: **DP4TYF**
- Product Type: **Hose Fitting**
- Hose Fitting Type: **Insert**
- Thread Type: **JIS BSPP 60° Cone**
- Structure: **45° Elbow**
- Connection Type: **Swivel Female**



PART NUMBER	F (Thread)	Ø	L	K	S	S1
#	BSPP	Inch	mm	mm	mm	mm
DP4TYF-0404	1/4"-19	1/4"	71.90	21.30	19	19
DP4TYF-0606	3/8"-19	3/8"	78.90	24.60	22	22
DP4TYF-0808	1/2"-14	1/2"	96.50	27.50	27	27
DP4TYF-1212	3/4"-14	3/4"	122.30	33.90	32	32
DP4TYF-1616	1"-11	1"	142.30	36.10	41	41
DP4TYF-2020	1-1/4"-11	1-1/4"	165.40	43.70	50	50
DP4TYF-2424	1-1/2"-11	1-1/2"	192.50	50.80	55	55
DP4TYF-3232	2"-11	2"	216.60	57.60	70	70

## DP4FL

45° Elbow SAE Flange Code 61 – Braided Hose And Spiral Hose

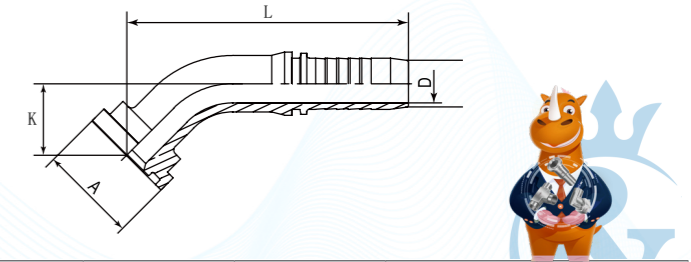
<b>D</b>	<b>P</b>	<b>4</b>	<b>FL</b>
Company	Product Range	Fitting Structure	Connection Type
<b>DME</b>	Hose Fitting	45° Elbow	SAE Flange Code 61

German Technology Equipment

**SHIELD FLEX**

New-Standard

- DME&JDE Code: **DP4FL**
- Product Type: **Hose Fitting**
- Hose Fitting Type: **Insert**
- Structure: **45° Elbow**
- Connection Type: **Flange Code 61**



PART NUMBER	Flange	Ø	L	K	A	D
#	-	Inch	mm	mm	mm	mm
DP4FL-0808	8	1/2"	95.00	19.00	30.20	9.50
DP4FL-0810	8	5/8"	102.00	23.00	30.20	12.00
DP4FL-1212	12	3/4"	127.00	26.00	38.00	14.00
DP4FL-1612	16	3/4"	132.00	28.00	44.50	14.00
DP4FL-1616	16	1"	162.00	32.00	44.50	19.70
DP4FL-2016	20	1"	163.00	36.00	50.80	19.70
DP4FL-2020	20	1-1/4"	197.00	38.00	50.80	25.50
DP4FL-2420	24	1-1/4"	197.00	41.00	60.40	25.50
DP4FL-2424	24	1-1/2"	232.00	44.00	60.40	30.00
DP4FL-3232	32	2"	286.00	56.00	71.40	43.50





## DP4FS

45° Elbow SAE Flange Code 62 – Braided Hose And Spiral Hose

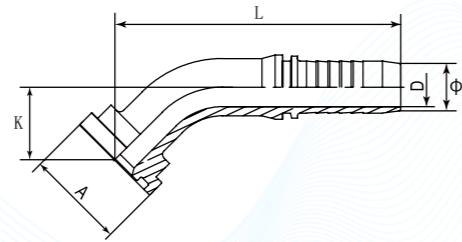
<b>D</b>	<b>P</b>	<b>4</b>	<b>FS</b>
Company	Product Range	Fitting Structure	Connection Type
<b>DME</b>	Hose Fitting	45° Elbow	SAE Flange Code 62

German Technology Equipment

**SHIELD FLEX**

New-Standard

- DME&JDE Code: **DP4FS**
- Product Type: **Hose Fitting**
- Hose Fitting Type: **Insert**
- Structure: **45° Elbow**
- Connection Type: **Flange Code 62**



PART NUMBER	Flange	Ø	L	K	A	D
#	-	Inch	mm	mm	mm	mm
DP4FS-0808	8	1/2"	95.00	19.00	31.80	9.50
DP4FS-0810	8	5/8"	102.00	23.00	31.80	12.00
DP4FS-1212	12	3/4"	127.00	26.00	41.20	14.00
DP4FS-1612	16	3/4"	132.00	28.00	47.80	14.00
DP4FS-1616	16	1"	162.00	32.00	47.80	19.70
DP4FS-2016	20	1"	163.00	36.00	53.90	19.70
DP4FS-2020	20	1-1/4"	163.00	36.00	53.90	19.70
DP4FS-2420	24	1-1/4"	197.00	41.00	63.50	25.50
DP4FS-2424	24	1-1/2"	232.00	44.00	63.50	30.00
DP4FS-3232	32	2"	286.00	56.00	79.40	43.50

## DP9MFL

90° Elbow Metric Female 24° Cone Light Type – Braided Hose And Spiral Hose

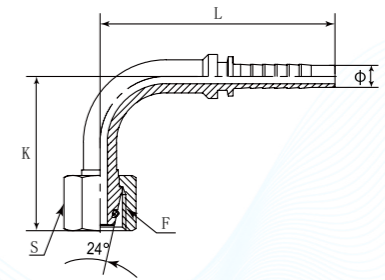
<b>D</b>	<b>P</b>	<b>9</b>	<b>M</b>	<b>F</b>	<b>L</b>
Company	Product Range	Fitting Structure	Thread Types	Connection Type	Pressure Type
<b>DME</b>	Hose Fitting	90° Elbow	Metric	Female	Light Type

German Technology Equipment

**SHIELD FLEX**

New-Standard

- DME&JDE Code: **DP9MFL**
- Product Type: **Hose Fitting**
- Hose Fitting Type: **Insert**
- Thread Type: **Metric 24° Cone Light Type**
- Structure: **90° Elbow**
- Connection Type: **Female**



PART NUMBER	SFKL	Cone 24°	Ø	K	L	S
#	Metric	-	mm	mm	mm	mm
DP9MFL-1204	M12X1.5	06L	1/4"	30.30	58.40	14
DP9MFL-1404	M14X1.5	08L	1/4"	28.00	52.00	17
DP9MFL-1604	M16X1.5	10L	1/4"	30.00	52.00	19
DP9MFL-1606	M16X1.5	10L	3/8"	37.50	62.80	19
DP9MFL-1806	M18X1.5	12L	3/8"	37.00	66.80	22
DP9MFL-2206	M22X1.5	15L	3/8"	39.00	61.80	27
DP9MFL-2208	M22X1.5	15L	1/2"	41.00	71.30	27
DP9MFL-2610	M26X1.5	18L	5/8"	52.00	79.80	32
DP9MFL-2612	M26X1.5	18L	3/4"	58.00	97.00	32
DP9MFL-3012	M30X2	22L	3/4"	65.00	99.00	36
DP9MFL-3612	M36X2	28L	3/4"	68.00	100.00	41
DP9MFL-3616	M36X2	28L	1"	68.00	113.50	41
DP9MFL-4520	M45X2	35L	1-1/4"	85.00	135.00	50
DP9MFL-5220	M52X2	42L	1-1/4"	89.00	153.00	60
DP9MFL-5224	M52X2	42L	1-1/2"	99.00	180.00	60

Certificate:

## DP9MFS

90° Elbow Metric Female 24° Cone Heavy Type – Braided Hose And Spiral Hose

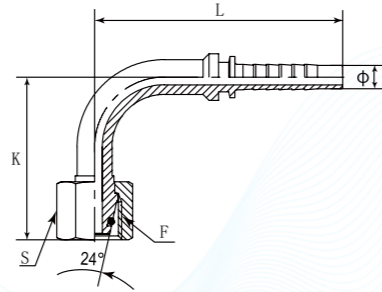
<b>D</b>	<b>P</b>	<b>9</b>	<b>M</b>	<b>F</b>	<b>S</b>
Company	Product Range	Fitting Structure	Thread Types	Connection Type	Pressure Grade
<b>DME</b>	Hose Fitting	90° Elbow	Metric	Female	Heavy Type

German Technology Equipment

**SHIELD FLEX**

New-Standard

- DME&JDE Code: **DP9MFS**
- Product Type: **Hose Fitting**
- Hose Fitting Type: **Insert**
- Thread Type: **Metric 24° Cone Heavy Type**
- Structure: **90° Elbow**
- Connection Type: **Female**



PART NUMBER	F (Thread)	Cone 24°	Ø	K	L	S
#	Metric		mm	mm	mm	mm
DP9MFS-1404	M14X1.5	06S	1/4"	30.00	58.80	17
DP9MFS-1604	M16X1.5	08S	1/4"	28.00	53.80	19
DP9MFS-1804	M18X1.5	10S	1/4"	38.00	58.80	22
DP9MFS-2006	M20X1.5	12S	3/8"	37.50	63.80	24
DP9MFS-2208	M22X1.5	14S	1/2"	50.00	71.30	27
DP9MFS-2408	M24X1.5	16S	1/2"	45.30	73.30	30
DP9MFS-2410	M24X1.5	16S	1/2"	56.30	89.80	30
DP9MFS-3010	M30X2	20S	5/8"	56.00	89.80	36
DP9MFS-3012	M30X2	20S	3/4"	59.00	99.00	36
DP9MFS-3612	M36X2	25S	3/4"	59.00	99.00	46
DP9MFS-3616	M36X2	25S	1"	68.00	108.50	46
DP9MFS-4216	M42X2	30S	1"	68.00	108.50	50
DP9MFS-4220	M42X2	30S	1-1/4"	86.00	153.00	50
DP9MFS-5220	M52X2	38S	1-1/4"	83.00	137.00	60
DP9MFS-5224	M52X2	38S	1-1/2"	96.00	180.00	60

## DP9KSF

90° Elbow JIS Metric Female 60° Cone – Braided Hose And Spiral Hose

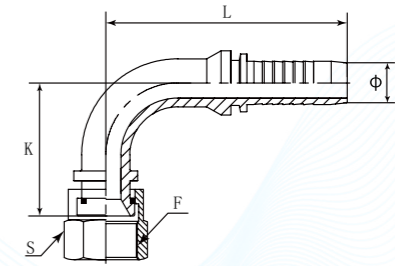
<b>D</b>	<b>P</b>	<b>9</b>	<b>KS</b>	<b>F</b>
Company	Product Range	Fitting Structure	Thread Types	Connection Type
<b>DME</b>	Hose Fitting	90° Elbow	JIC Metric	Female

German Technology Equipment

**SHIELD FLEX**

New-Standard

- DME&JDE Code: **DP9KSF**
- Product Type: **Hose Fitting**
- Hose Fitting Type: **Insert**
- Thread Type: **JIS Metric 60° Cone**
- Structure: **90° Elbow**
- Connection Type: **Female**



PART NUMBER	F (Thread)	Ø	L	K	S
#	Metric	Inch	mm	mm	mm
DP9KSF-1204	M12X1.5	1/4"	57.80	29.00	17
DP9KSF-1404	M14X1.5	1/4"	58.50	40.00	19
DP9KSF-1406	M14X1.5	3/8"	65.30	43.30	19
DP9KSF-1604	M16X1.5	1/4"	52.80	30.00	22
DP9KSF-1605	M16X1.5	5/16"	63.00	44.00	22
DP9KSF-1806	M18X1.5	3/8"	65.30	46.30	24
DP9KSF-1808	M18X1.5	1/2"	65.30	35.30	24
DP9KSF-2008	M20X1.5	1/2"	70.30	41.50	24
DP9KSF-2208	M22X1.5	1/2"	74.00	52.50	27
DP9KSF-2408	M24X1.5	1/2"	92.00	52.50	30
DP9KSF-2410	M24X1.5	5/8"	92.00	59.00	30
DP9KSF-3012	M30X1.5	3/4"	106.50	71.50	36
DP9KSF-3312	M33X1.5	3/4"	106.50	76.00	41
DP9KSF-3316	M33X1.5	1"	131.70	76.00	41
DP9KSF-3620	M36X1.5	1-1/4"	154.00	89.00	46
DP9KSF-4224	M42X1.5	1-1/2"	180.40	108.00	55



## DP9ORF

90° Elbow ORFS Female – Braided Hose And Spiral Hose

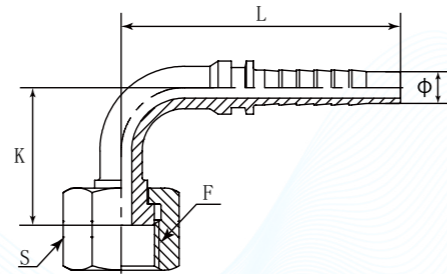
<b>D</b>	<b>P</b>	<b>9</b>	<b>OR</b>	<b>F</b>
Company	Product Range	Fitting Structure	Thread Types	Connection Type
<b>DME</b>	Hose Fitting	90° Elbow	ORFS	Female

German Technology Equipment

**SHIELD FLEX**

New-Standard

- DME&JDE Code: DP9ORF
- Product Type: Hose Fitting
- Hose Fitting Type: Insert
- Thread Type: UNF
- Structure: 90° Elbow
- Connection Type: Female



PART NUMBER	F (Thread)	Ø	L	K	S
#	UNF	Inch	mm	mm	mm
DP9ORF-0404	9/16"-18	1/4"	52.00	26.00	19
DP9ORF-0604	11/16"-16	1/4"	52.00	23.00	22
DP9ORF-0606	11/16"-16	3/8"	64.00	32.00	22
DP9ORF-0806	13/16"-16	3/8"	64.00	32.00	27
DP9ORF-0808	13/16"-16	1/2"	74.00	40.00	27
DP9ORF-1008	1"-14	1/2"	74.00	40.00	30
DP9ORF-1010	1"-14	5/8"	85.00	45.00	30
DP9ORF-1210	1-3/16"-12	5/8"	85.00	49.00	36
DP9ORF-1212	1-3/16"-12	3/4"	99.00	51.00	36
DP9ORF-1616	1-7/16"-12	1"	129.00	62.00	41
DP9ORF-2020	1-11/16"-12	1-1/4"	153.00	73.00	50
DP9ORF-2424	2"-12	1-1/2"	179.00	84.00	60

## DP9JCF

90° Elbow JIC Swivel Female 74° Cone – Braided Hose And Spiral Hose

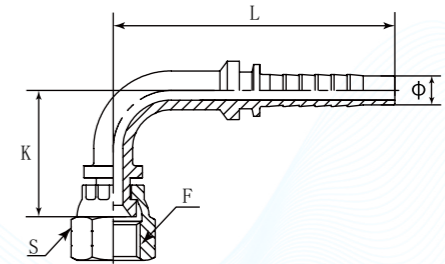
<b>D</b>	<b>P</b>	<b>9</b>	<b>JC</b>	<b>F</b>
Company	Product Range	Fitting Structure	Thread Types	Connection Type
<b>DME</b>	Hose Fitting	90° Elbow	JIC	Swivel Female

German Technology Equipment

**SHIELD FLEX**

New-Standard

- DME&JDE Code: DP9JCF
- Product Type: Hose Fitting
- Hose Fitting Type: Insert
- Thread Type: JIC 74° Cone
- Structure: 90° Elbow
- Connection Type: Swivel Female



PART NUMBER	F (Thread)	Ø	L	K	S
#	UNF	mm	mm	mm	mm
DP9JCF-0404	7/16"-20	1/4"	57.80	29.00	17
DP9JCF-0504	1/2"-20	1/4"	52.80	26.00	17
DP9JCF-0604	9/16"-18	1/4"	52.80	27.00	19
DP9JCF-0606	9/16"-18	3/8"	62.80	35.50	19
DP9JCF-0806	3/4"-16	3/8"	66.30	38.50	24
DP9JCF-0808	3/4"-16	1/2"	70.30	41.50	24
DP9JCF-1008	7/8"-14	1/2"	75.30	46.50	27
DP9JCF-1010	7/8"-14	5/8"	79.30	46.00	27
DP9JCF-1012	7/8"-14	3/4"	95.60	54.00	27
DP9JCF-1208	1-1/16"-12	1/2"	71.30	45.00	32
DP9JCF-1210	1-1/16"-12	5/8"	78.80	49.00	32
DP9JCF-1212	1-1/16"-12	3/4"	95.60	54.00	32
DP9JCF-1216	1-1/16"-12	1"	120.00	70.50	32
DP9JCF-1612	1-5/16"-12	3/4"	102.30	62.00	41
DP9JCF-1616	1-5/16"-12	1"	120.00	71.00	41
DP9JCF-2016	1-5/8"-12	1"	120.00	71.00	50
DP9JCF-2020	1-5/8"-12	1-1/4"	146.00	84.50	50
DP9JCF-2420	1-7/8"-12	1-1/4"	146.00	84.50	55
DP9JCF-2424	1-7/8"-12	1-1/2"	167.00	101.00	55
DP9JCF-3232	2-1/2"-12	2"	205.00	124.00	75





## DP9BPF

90° Elbow BSPP Swivel Female 60° Cone – Braided Hose And Spiral Hose

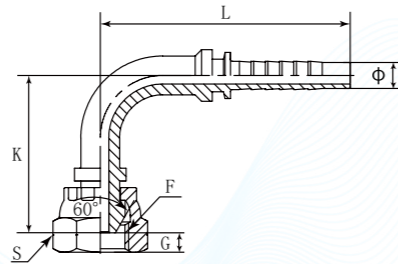
<b>D</b>	<b>P</b>	<b>9</b>	<b>BP</b>	<b>F</b>
Company	Product Range	Fitting Structure	Thread Types	Connection Type
<b>DME</b>	Hose Fitting	90° Elbow	BSPP	Swivel Female

German Technology Equipment

**SHIELD FLEX**

New-Standard

- DME&JDE Code: **DP9BPF**
- Product Type: **Hose Fitting**
- Hose Fitting Type: **Insert**
- Thread Type: **BSPP 60° Cone**
- Structure: **90° Elbow**
- Connection Type: **Swivel Female**



PART NUMBER	F (Thread)	Ø	G	K	L	S
#	BSPP	mm	mm	mm	mm	mm
DP9BPF-0204	G 1/8"	1/4"	4.30	26.00	52.00	14
DP9BPF-0404	G 1/4"	1/4"	5.20	29.00	52.00	19
DP9BPF-0604	G 3/8"	1/4"	5.20	31.00	52.00	22
DP9BPF-0606	G 3/8"	3/8"	6.00	38.00	64.00	22
DP9BPF-0806	G 1/2"	3/8"	6.50	40.50	64.00	27
DP9BPF-0808	G 1/2"	1/2"	6.50	45.00	74.00	27
DP9BPF-1008	G 5/8"	1/2"	9.70	45.00	74.00	30
DP9BPF-1010	G 5/8"	5/8"	9.70	45.00	85.00	30
DP9BPF-1212	G 3/4"	3/4"	8.70	57.00	99.00	32
DP9BPF-1616	G 1"	1"	10.50	72.50	129.00	41
DP9BPF-2020	G 1-1/4"	1-1/4"	10.10	87.50	153.00	50
DP9BPF-2424	G 1-1/2"	1-1/2"	12.50	100.00	179.00	55
DP9BPF-3232	G 2"	2"	16.10	130.00	218.00	70

## DP9TYF

90° Elbow JIS BSPP Swivel Female 60° Cone – Braided Hose And Spiral Hose

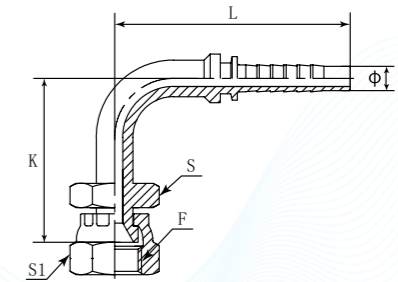
<b>D</b>	<b>P</b>	<b>9</b>	<b>TY</b>	<b>F</b>
Company	Product Range	Fitting Structure	Thread Types	Connection Type
<b>DME</b>	Hose Fitting	90° Elbow	JIS BSPP	Swivel Female

German Technology Equipment

**SHIELD FLEX**

New-Standard

- DME&JDE Code: **DP9TYF**
- Product Type: **Hose Fitting**
- Hose Fitting Type: **Insert**
- Thread Type: **JIS BSPP 60° Cone**
- Structure: **90° Elbow**
- Connection Type: **Swivel Female**



PART NUMBER	F (Thread)	Ø	L	K	S	S1
#	UNF	mm	mm	mm	mm	mm
DP9TYF-0404	1/4"-19	1/4"	58.50	38.00	19.00	19
DP9TYF-0606	3/8"-19	3/8"	65.60	38.00	22.00	22
DP9TYF-0808	1/2"-14	1/2"	74.00	45.00	27.00	27
DP9TYF-1010	5/8"-14	1/2"	92.50	61.00	30.00	30
DP9TYF-1212	3/4"-14	3/4"	106.50	69.00	32.00	32
DP9TYF-1616	1"-11	1"	131.70	76.50	41.00	41
DP9TYF-2020	1-1/4"-11	1-1/4"	152.50	92.50	50.00	50
DP9TYF-2424	1-1/2"-11	1-1/2"	180.40	110.50	55.00	55
DP9TYF-3232	2"-11	2"	207.80	133.80	70.00	70



## DP9FL

90° Elbow SAE Flange Code 61 – Braided Hose And Spiral Hose

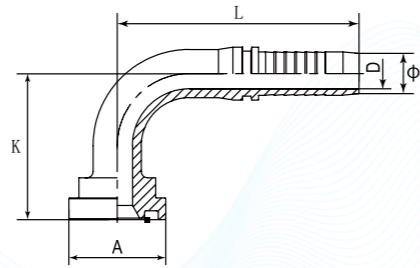
<b>D</b>	<b>P</b>	<b>9</b>	<b>FL</b>
Company	Product Range	Fitting Structure	Connection Type
<b>DME</b>	Hose Fitting	90° Elbow	SAE Flange Code 61

German Technology Equipment

**SHIELD FLEX**

New-Standard

- DME&JDE Code: DP9FL
- Product Type: Hose Fitting
- Hose Fitting Type: Insert
- Structure: 90° Elbow
- Connection Type: Flange Code 61



PART NUMBER	Flange	Ø	L	K	A
#	-	Inch	mm	mm	mm
DP9FL-0808	8	1/2"	74.00	40.00	30.20
DP9FL-0810	8	5/8"	85.00	53.00	30.20
DP9FL-1212	12	3/4"	99.00	58.00	38.00
DP9FL-1612	16	3/4"	99.00	62.00	44.50
DP9FL-1616	16	1"	129.00	70.00	44.50
DP9FL-2016	20	1"	129.00	75.00	50.80
DP9FL-2020	20	1-1/4"	153.00	90.00	50.80
DP9FL-2420	24	1-1/4"	153.00	95.00	60.40
DP9FL-2424	24	1-1/2"	179.00	104.00	60.40
DP9FL-3224	32	1-1/2"	179.00	115.00	71.40
DP9FL-3232	32	2"	218.00	138.00	71.40

## DP9FS

90° Elbow SAE Flange Code 62 – Braided Hose And Spiral Hose

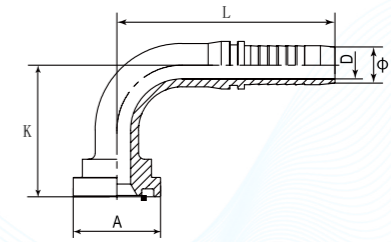
<b>D</b>	<b>P</b>	<b>9</b>	<b>FS</b>
Company	Product Range	Fitting Structure	Connection Type
<b>DME</b>	Hose Fitting	90° Elbow	SAE Flange Code 62

German Technology Equipment

**SHIELD FLEX**

New-Standard

- DME&JDE Code: DP9FS
- Product Type: Hose Fitting
- Hose Fitting Type: Insert
- Structure: 90° Elbow
- Connection Type: Flange Code 62



PART NUMBER	Flange	Ø	L	K	A
#	-	Inch	mm	mm	mm
DP9FS-0808	8	1/2"	74.00	40.00	31.80
DP9FS-0810	8	5/8"	85.00	53.00	31.80
DP9FS-1212	12	3/4"	99.00	58.00	41.20
DP9FS-1612	16	3/4"	99.00	62.00	47.80
DP9FS-1616	16	1"	129.00	70.00	47.80
DP9FS-2016	20	1"	129.00	75.00	53.90
DP9FS-2020	20	1 1/4"	153.00	90.00	53.90
DP9FS-2420	24	1 1/4"	153.00	95.00	63.50
DP9FS-2424	24	1 1/2"	179.00	104.00	63.50
DP9FS-3232	32	2"	218.00	138.00	79.40





# Hose Fitting

# Interlock >>



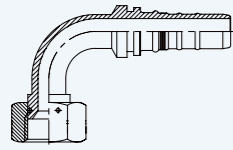
<p><b>DP1BPM-R13</b> P850</p> <p>Straight Connector BSPP Male 60° Cone - Interlock</p>	<p><b>DP1NPM-R13</b> P851</p> <p>Straight Connector NPTF Male 60° - Interlock</p>	<p><b>DP1BPF-R13</b> P852</p> <p>Straight Connector BSPP Female 60° Cone - Interlock</p>	<p><b>DP1ORF-R13</b> P853</p> <p>Straight Connector ORFS Female - Interlock</p>
<p><b>DP1MFS-R13</b> P854</p> <p>Straight Connector Metric Female 24° Cone + O Ring Heavy Type - Interlock</p>	<p><b>DP1JCF-R13</b> P855</p> <p>Straight Connector JIC Female 74° Cone - Interlock</p>	<p><b>DP1FL-R13</b> P856</p> <p>Straight Connector SAE Flange 3000 PSI - Interlock</p>	<p><b>DP1FS-R13</b> P857</p> <p>Straight Connector SAE Flange 6000 PSI - Interlock</p>
<p><b>DP1FSCAT-R13</b> P858</p> <p>Straight Connector SAE Flange 9000 PSI - Interlock</p>	<p><b>DP4BPF-R13</b> P859</p> <p>45° Elbow BSPP Female 60° Cone</p>	<p><b>DP4MFS-R13</b> P860</p> <p>45° Elbow Metric Female 24° Cone + O Ring Heavy Type - Interlock</p>	<p><b>DP4ORF-R13</b> P861</p> <p>45° Elbow ORFS Female - Interlock</p>
<p><b>DP4FL-R13</b> P862</p> <p>45° Elbow SAE Flange 3000 PSI - Interlock</p>	<p><b>DP4FS-R13</b> P863</p> <p>45° Elbow SAE Flange 6000 PSI - Interlock</p>	<p><b>DP4FSCAT-R13</b> P864</p> <p>45° Elbow SAE Flange 9000 PSI - Interlock</p>	<p><b>DP9BPF-R13</b> P865</p> <p>90° Elbow BSPP Female 60° Cone - Interlock</p>





**DP9JCF-R13**

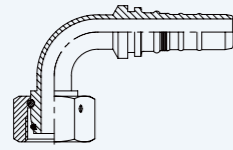
P866



90° Elbow JIC Female 74° Cone - Interlock

**DP9MFS-R13**

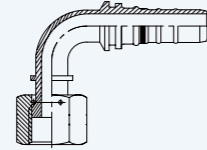
P867



90° Elbow Metric Female 24° Cone + O Ring Heavy Type - Interlock

**DP90RF-R13**

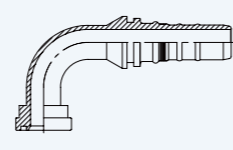
P868



90° Elbow ORFS Female - Interlock

**DP9FL-R13**

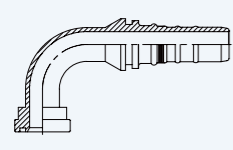
P869



90° Elbow SAE Flange 3000 PSI - Interlock

**DP9FS-R13**

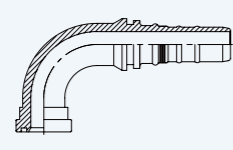
P870



90° Elbow SAE Flange 6000 PSI - Interlock

**DP9FSCAT-R13**

P871



90° Elbow SAE Flange 9000 PSI - Interlock

**DP1BPM-R13**

Straight Connector BSPP Male 60° Cone – Interlock

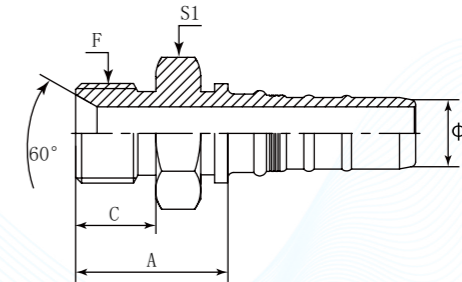
<b>D</b>	<b>P</b>	<b>I</b>	<b>BP</b>	<b>M</b>	<b>R13</b>
Company	Product Range	Fitting Structure	Thread Types	Connection Type	Hose Fitting
<b>DME</b>	Hose Fitting	Straight	BSPP	Male	Interlock

German Technology Equipment

**SHIELD FLEX**

New-Standard

- DME&JDE Code: **DP1BPM-R13**
- Product Type: **Hose Fitting**
- Hose Fitting Type: **Interlock**
- Thread Type: **BSPP 60° Cone**
- Structure: **Straight**
- Connection Type: **Male**



PART NUMBER	F (Thread)	Ø	A	C	S1
#	BSPP	Inch	mm	mm	mm
DP1BPM-R13-1212	3/4"-14	20.00	37.50	18.50	30
DP1BPM-R13-1616	1"-11	25.00	41.00	20.50	36
DP1BPM-R13-2020	1-1/4"-11	32.00	45.30	20.50	46
DP1BPM-R13-2424	1-1/2"-11	40.00	49.70	23.00	50
DP1BPM-R13-3232	2"-11	50.00	52.00	25.50	60



## DP1NPM-R13

Straight Connector NPTF Male 60° – Interlock

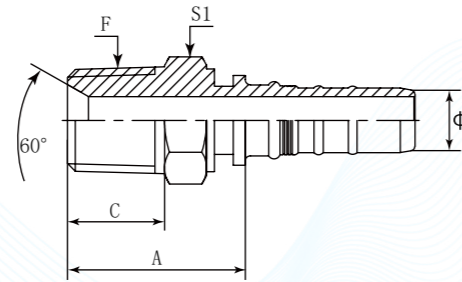
<b>D</b>	<b>P</b>	<b>I</b>	<b>NP</b>	<b>M</b>	<b>R13</b>
Company	Product Range	Fitting Structure	Thread Types	Connection Type	Hose Fitting
<b>DME</b>	Hose Fitting	Straight	NPTF	Male	Interlock

German Technology Equipment

**SHIELD FLEX**

New-Standard

- DME&JDE Code: **DP1NPM-R13**
- Product Type: **Hose Fitting**
- Hose Fitting Type: **Interlock**
- Thread Type: **NPTF 60°**
- Structure: **Straight**
- Connection Type: **Male**



PART NUMBER	F (Thread)	Ø	A	C	S1
#	NPTF	Inch	mm	mm	mm
DP1NPM-R13-1212	3/4"-14	20.00	37.50	19.50	30
DP1NPM-R13-1616	1"-11-1/2	25.00	45.90	25.50	38
DP1NPM-R13-2020	1-1/4"-11-1/2	32.00	51.30	26.50	46
DP1NPM-R13-2424	1-1/2"-11-1/2	40.00	54.20	27.50	50
DP1NPM-R13-3232	2"-11-1/2	50.00	56.50	27.50	65

## DP1BPF-R13

Straight Connector BSPP Female 60° Cone – Interlock

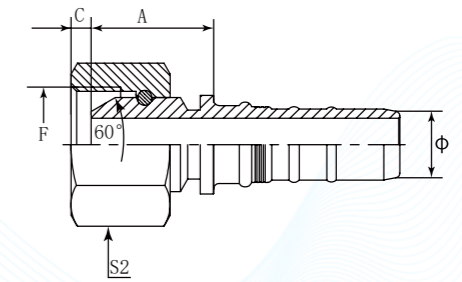
<b>D</b>	<b>P</b>	<b>I</b>	<b>BP</b>	<b>F</b>	<b>R13</b>
Company	Product Range	Fitting Structure	Thread Types	Connection Type	Hose Fitting
<b>DME</b>	Hose Fitting	Straight	BSPP	Female	Interlock

German Technology Equipment

**SHIELD FLEX**

New-Standard

- DME&JDE Code: **DP1BPF-R13**
- Product Type: **Hose Fitting**
- Hose Fitting Type: **Interlock**
- Thread Type: **BSPP 60° Cone**
- Structure: **Straight**
- Connection Type: **Female**



PART NUMBER	F (Thread)	Ø	A	C	S2
#	BSPP	Inch	mm	mm	mm
DP1BPF-R13-1212	3/4"-14	20.00	27.50	8.70	32
DP1BPF-R13-1616	1"-11	25.00	32.40	10.50	41
DP1BPF-R13-2020	1-1/4"-11	32.00	35.80	10.10	50
DP1BPF-R13-2424	1-1/2"-11	40.00	36.70	12.50	55
DP1BPF-R13-3232	2"-11	50.00	36.50	16.00	70



# DP1ORF-R13

Straight Connector ORFS Female – Interlock

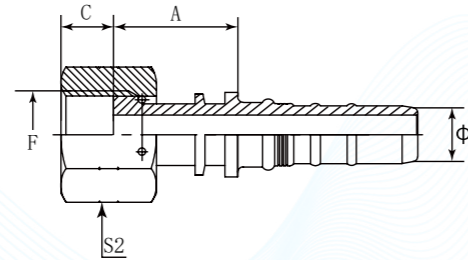
<b>D</b>	<b>P</b>	<b>I</b>	<b>OR</b>	<b>F</b>	<b>R13</b>
Company	Product Range	Fitting Structure	Thread Types	Connection Type	Hose Fitting
<b>DME</b>	Hose Fitting	Straight	ORFS UNF	Female	Interlock

German Technology Equipment

**SHIELD FLEX**

New-Standard

- DME&JDE Code: **DP1ORF-R13**
- Product Type: **Hose Fitting**
- Hose Fitting Type: **Interlock**
- Thread Type: **UNF**
- Structure: **Straight**
- Connection Type: **Female**



PART NUMBER	F (Thread)	Ø	A	C	S2
#	UNF	Inch	mm	mm	mm
DP1ORF-R13-1212	1-3/16"-12	20.00	41.00	15.00	36
DP1ORF-R13-1616	1-7/16"-12	25.00	44.40	15.00	41
DP1ORF-R13-2020	1-11/16"-12	32.00	47.80	15.00	50
DP1ORF-R13-2424	2"-12	40.00	48.20	15.00	60

# DP1MFS-R13

Straight Connector Metric Female 24° Cone + O Ring Heavy Type – Interlock

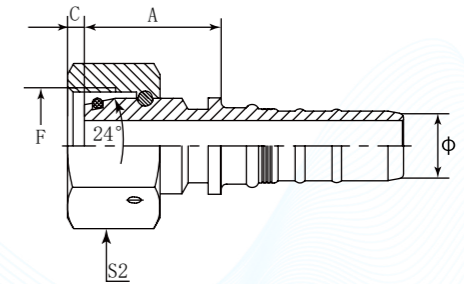
<b>D</b>	<b>P</b>	<b>I</b>	<b>M</b>	<b>F</b>	<b>R13</b>	<b>S</b>
Company	Product Range	Fitting Structure	Thread Types	Connection Type	Hose Fitting	Pressure Grade
<b>DME</b>	Hose Fitting	Straight	Metric	Female + O Ring	Interlock	Heavy Type

German Technology Equipment

**SHIELD FLEX**

New-Standard

- DME&JDE Code: **DP1MFS-R13**
- Product Type: **Hose Fitting**
- Hose Fitting Type: **Interlock**
- Thread Type: **Metric 24° Cone + O Ring Heavy Type**
- Structure: **Straight**
- Connection Type: **Female**
- Sealing Method: **O Rings**



PART NUMBER	F (Thread)	Ø	A	C	S2
#	Metric	Inch	mm	mm	mm
DP1MFS-R13-3012	M30X2	20.00	30.00	2.50	36
DP1MFS-R13-3612	M36X2	20.00	38.50	3.50	46
DP1MFS-R13-3616	M36X2	25.00	31.90	3.20	46
DP1MFS-R13-4212	M42X2	20.00	42.00	3.90	50
DP1MFS-R13-4216	M42X2	25.00	33.40	3.90	50
DP1MFS-R13-4220	M42X2	32.00	38.80	3.90	50
DP1MFS-R13-5220	M52X2	32.00	45.30	4.50	60
DP1MFS-R13-5224	M52X2	40.00	38.20	4.50	60





## DP1JCF-R13

Straight Connector JIC Female 74° Cone – Interlock

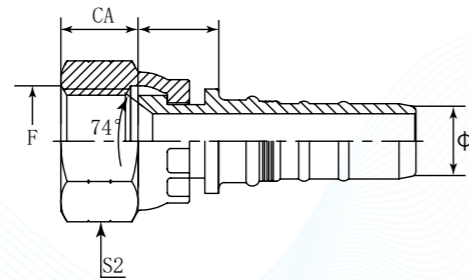
<b>D</b>	<b>P</b>	<b>I</b>	<b>JC</b>	<b>F</b>	<b>R13</b>
Company	Product Range	Fitting Structure	Thread Types	Connection Type	Hose Fitting
<b>DME</b>	Hose Fitting	Straight	JIC UNF	Female + O Ring	Interlock

German Technology Equipment

**SHIELD FLEX**

New-Standard

- DME&JDE Code: **DP1JCF-R13**
- Product Type: **Hose Fitting**
- Hose Fitting Type: **Interlock**
- Thread Type: **JIC UNF 74° Cone**
- Structure: **Straight**
- Connection Type: **Female**



PART NUMBER	F (Thread)	Ø	A	C	S2
#	UNF	Inch	mm	mm	mm
DP1JCF-R13-1212	1-1/16"-12	20.00	26.50	15.00	32
DP1JCF-R13-1616	1-5/16"-12	25.00	29.40	16.00	41
DP1JCF-R13-2020	1-5/8"-12	32.00	32.30	16.10	50
DP1JCF-R13-2424	1-7/8"-12	40.00	35.20	20.00	60
DP1JCF-R13-3232	2-1/2"-12	50.00	34.50	23.50	75

## DP1FL-R13

Straight Connector SAE Flange 3000 PSI – Interlock

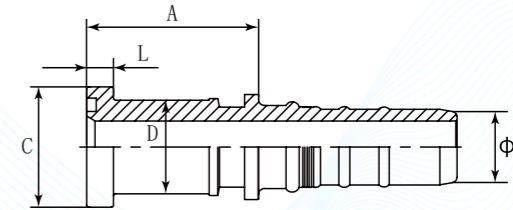
<b>D</b>	<b>P</b>	<b>I</b>	<b>FL</b>	<b>R13</b>
Company	Product Range	Fitting Structure	Connection Type	Hose Fitting
<b>DME</b>	Hose Fitting	Straight	SAE Flange 3000 PSI	Interlock

German Technology Equipment

**SHIELD FLEX**

New-Standard

- DME&JDE Code: **DP1FL-R13**
- Product Type: **Hose Fitting**
- Hose Fitting Type: **Interlock**
- Fitting Structure: **Straight**
- Connection Type: **Flange 3000 PSI**



PART NUMBER	Flange Size	Ø	A	C	D	L
#	-	Inch	mm	mm	mm	mm
DP1FL-R13-1212	3/4"	20.00	50.00	38.10	31.70	7.00
DP1FL-R13-1612	1"	20.00	54.00	44.40	38.00	8.20
DP1FL-R13-1616	1"	25.00	54.40	44.40	38.00	8.20
DP1FL-R13-2016	1-1/4"	25.00	59.40	50.80	43.20	8.20
DP1FL-R13-2020	1-1/4"	32.00	65.80	50.80	43.20	8.20
DP1FL-R13-2420	1-1/2"	32.00	71.80	60.30	50.30	8.20
DP1FL-R13-2424	1-1/2"	40.00	72.20	60.30	50.30	8.20
DP1FL-R13-3224	2"	40.00	74.20	71.40	62.20	9.80
DP1FL-R13-3232	2"	50.00	78.50	71.40	62.20	9.80



## DP1FS-R13

Straight Connector SAE Flange 6000 PSI – Interlock

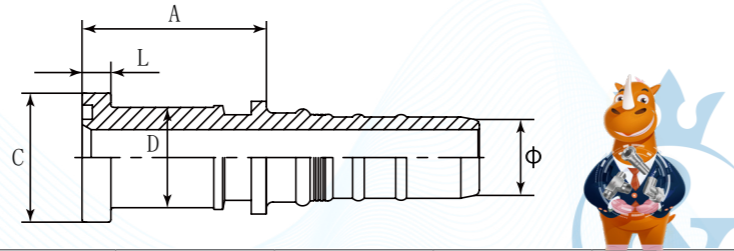
<b>D</b>	<b>P</b>	<b>1</b>	<b>FS</b>	<b>R13</b>
Company	Product Range	Fitting Structure	Connection Type	Hose Fitting
<b>DME</b>	Hose Fitting	Straight	SAE Flange 6000 PSI	Interlock

German Technology Equipment

**SHIELD FLEX**

New-Standard

- DME&JDE Code: **DP1FS-R13**
- Product Type: **Hose Fitting**
- Hose Fitting Type: **Interlock**
- Structure: **Straight**
- Connection Type: **Flange 6000 PSI**



PART NUMBER	Flange Size	Ø	A	C	D	L
#	-	Inch	mm	mm	mm	mm
DP1FS-R13-1212	3/4"	20.00	53.00	41.30	32.00	8.76
DP1FS-R13-1612	1"	20.00	58.00	47.60	38.00	9.53
DP1FS-R13-1616	1"	25.00	59.40	47.60	38.00	9.53
DP1FS-R13-2016	1-1/4"	25.00	67.40	54.00	44.00	10.29
DP1FS-R13-2020	1-1/4"	32.00	69.80	54.00	44.00	10.29
DP1FS-R13-2024	1-1/4"	40.00	74.70	54.00	44.00	10.29
DP1FS-R13-2420	1-1/2"	32.00	78.80	63.50	51.00	12.57
DP1FS-R13-2424	1-1/2"	40.00	78.70	63.50	51.00	12.57
DP1FS-R13-3224	2"	40.00	91.20	79.40	67.00	12.57
DP1FS-R13-3232	2"	50.00	91.00	79.40	67.00	12.57

## DP1FSCAT-R13

Straight Connector SAE Flange 9000 PSI – Interlock

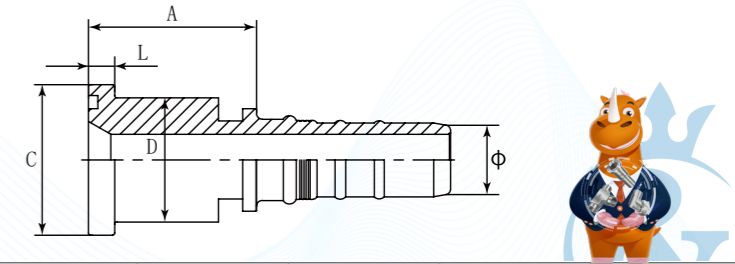
<b>D</b>	<b>P</b>	<b>1</b>	<b>FSCAT</b>	<b>R13</b>
Company	Product Range	Fitting Structure	Connection Type	Hose Fitting
<b>DME</b>	Hose Fitting	Straight	SAE Flange 9000 PSI	Interlock

German Technology Equipment

**SHIELD FLEX**

New-Standard

- DME&JDE Code: **DP1FSCAT-R13**
- Product Type: **Hose Fitting**
- Hose Fitting Type: **Interlock**
- Structure: **Straight**
- Connection Type: **Flange 9000 PSI**



PART NUMBER	Flange Size	Ø	A	C	D	L
#	-	Inch	mm	mm	mm	mm
DP1FSCAT-R13-1212	3/4"	20.00	58.50	41.30	32.00	14.30
DP1FSCAT-R13-1612	1"	20.00	63.00	47.60	38.00	14.30
DP1FSCAT-R13-1616	1"	25.00	64.40	47.60	38.00	14.30
DP1FSCAT-R13-2016	1-1/4"	25.00	66.80	54.00	43.00	14.30
DP1FSCAT-R13-2020	1-1/4"	32.00	73.80	54.00	43.00	14.30
DP1FSCAT-R13-2420	1-1/2"	32.00	80.60	63.50	51.00	14.30
DP1FSCAT-R13-2424	1-1/2"	40.00	80.70	63.50	51.00	14.30



## DP4BPF-R13

45° Elbow BSPP Female 60° Cone

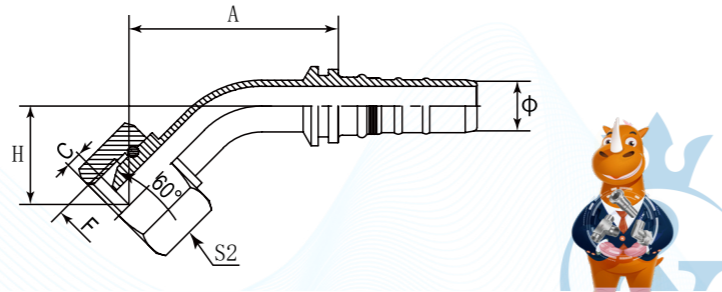
<b>D</b>	<b>P</b>	<b>4</b>	<b>BP</b>	<b>F</b>	<b>R13</b>
Company	Product Range	Fitting Structure	Thread Types	Connection Type	Hose Fitting
<b>DME</b>	Hose Fitting	45° Elbow	BSPP	Female	Interlock

German Technology Equipment

**SHIELD FLEX**

New-Standard

- DME&JDE Code: DP4BPF-R13
- Product Type: Hose Fitting
- Fitting Type: Interlock
- Thread Type: BSPP 60° Cone
- Structure: 45° Elbow
- Connection Type: Female



PART NUMBER	F (Female)	Ø	A	C	H	S2
#	BSPP	Inch	mm	mm	mm	mm
DP4BPF-R13-1212	3/4"-14	20.00	88.30	8.70	32.50	32.00
DP4BPF-R13-1616	1"-11	25.00	99.30	10.50	32.90	41.00
DP4BPF-R13-2020	1-1/4"-11	32.00	112.90	10.10	37.90	50.00
DP4BPF-R13-2424	1-1/2"-11	40.00	131.00	12.50	45.50	55.00
DP4BPF-R13-3232	2"-11	50.00	154.70	16.00	52.70	70.00

## DP4MFS-R13

45° Elbow Metric Female 24° Cone + O Ring Heavy Type – Interlock

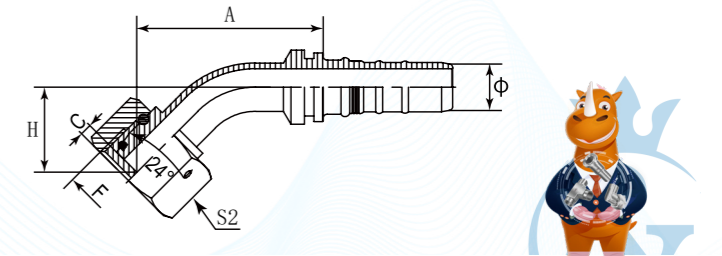
<b>D</b>	<b>P</b>	<b>4</b>	<b>M</b>	<b>FS</b>	<b>R13</b>
Company	Product Range	Fitting Structure	Thread Types	Connection Type	Hose Fitting
<b>DME</b>	Hose Fitting	45° Elbow	Metric	Female + O Ring Heavy Type	Interlock

German Technology Equipment

**SHIELD FLEX**

New-Standard

- DME&JDE Code: DP4MFS-R13
- Product Type: Hose Fitting
- Hose Fitting Type: Interlock
- Thread Type: Metric 24° Cone + O Ring Heavy Type
- Structure: 45° Elbow
- Connection Type: Female
- Sealing Method: O Rings



PART NUMBER	F (Thread)	Ø	A	C	H	S2
#	Metric	Inch	mm	mm	mm	mm
DP4MFS-R13-3612	M36X2	20.00	89.40	3.50	33.00	46.00
DP4MFS-R13-4216	M42X2	25.00	102.30	3.90	35.90	50.00
DP4MFS-R13-5220	M52X2	32.00	114.50	4.50	39.40	60.00





## DP4ORF-R13

45° Elbow ORFS Female – Interlock

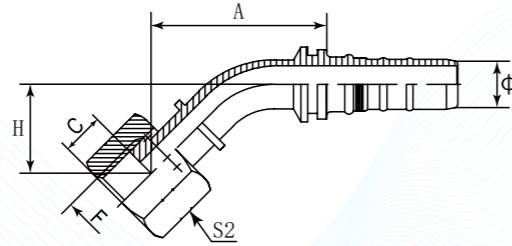
<b>D</b>	<b>P</b>	<b>4</b>	<b>OR</b>	<b>F</b>	<b>R13</b>
Company	Product Range	Fitting Structure	Thread Types	Connection Type	Hose Fitting
<b>DME</b>	Hose Fitting	45° Elbow	ORFS UNF	Female	Interlock

German Technology Equipment

**SHIELD FLEX**

New-Standard

- DME&JDE Code: **DP4ORF-R13**
- Product Type: **Hose Fitting**
- Hose Fitting Type: **Interlock**
- Thread Type: **UNF**
- Structure: **45° Elbow**
- Connection Type: **Female**



PART NUMBER	F (Thread)	Ø	A	C	H	S2
#	UNF	Inch	mm	mm	mm	mm
DP4ORF-R13-1212	1-3/16"-12	20.00	97.70	15.00	42.00	36
DP4ORF-R13-1616	1-7/16"-12	25.00	111.00	15.00	44.60	41
DP4ORF-R13-2020	1-11/16"-12	32.00	124.00	15.00	49.00	50
DP4ORF-R13-2424	2"-12	40.00	138.20	15.00	53.60	60

Web: <https://www.dmejde.com>  
E-mail: [info@dmejde.com](mailto:info@dmejde.com)



## DP4FL-R13

45° Elbow SAE Flange 3000 PSI – Interlock

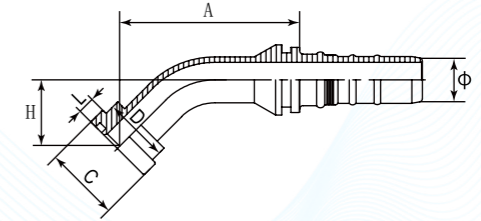
<b>D</b>	<b>P</b>	<b>4</b>	<b>FL</b>	<b>R13</b>
Company	Product Range	Fitting Structure	Connection Type	Hose Fitting
<b>DME</b>	Hose Fitting	45° Elbow	SAE Flange 3000 PSI	Interlock

German Technology Equipment

**SHIELD FLEX**

New-Standard

- DME&JDE Code: **DP4FL-R13**
- Product Type: **Hose Fitting**
- Hose Fitting Type: **Interlock**
- Structure: **45° Elbow**
- Connection Type: **Flange 3000 PSI**



PART NUMBER	Flange Size	Ø	A	C	D	H	L
#	-	Inch	mm	mm	mm	mm	mm
DP4FL-R13-1212	3/4"	20.00	85.80	38.10	31.70	28.90	7.00
DP4FL-R13-1612	1"	20.00	85.80	44.40	38.00	28.90	8.00
DP4FL-R13-1616	1"	25.00	96.10	44.40	38.00	29.70	8.00
DP4FL-R13-2016	1-1/4"	25.00	96.10	50.80	43.00	29.70	8.00
DP4FL-R13-2020	1-1/4"	32.00	108.80	50.80	43.00	33.80	8.00
DP4FL-R13-2420	1-1/2"	32.00	110.20	60.30	50.00	35.20	8.00
DP4FL-R13-2424	1-1/2"	40.00	123.70	60.30	50.00	39.10	8.00
DP4FL-R13-3224	2"	40.00	123.70	71.40	62.00	39.10	9.53
DP4FL-R13-3232	2"	50.00	148.30	71.40	62.00	46.30	9.53

Web: <https://www.dmejde.com>  
E-mail: [info@dmejde.com](mailto:info@dmejde.com)



### DP4FS-R13

45° Elbow SAE Flange 6000 PSI – Interlock

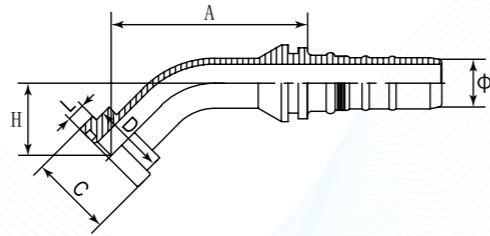
<b>D</b>	<b>P</b>	<b>4</b>	<b>FS</b>	<b>R13</b>
Company	Product Range	Fitting Structure	Connection Type	Hose Fitting
<b>DME</b>	Hose Fitting	45° Elbow	SAE Flange 6000 PSI	Interlock

German Technology Equipment

**SHIELD FLEX**

New-Standard

- DME&JDE Code: DP4FS-R13
- Product Type: Hose Fitting
- Hose Fitting Type: Interlock
- Structure: 45° Elbow
- Connection Type: Flange 6000 PSI



PART NUMBER	Flange Size	Ø	A	C	D	H	L
#	-	Inch	mm	mm	mm	mm	mm
DP4FS-R13-1212	3/4"	20.00	88.70	41.30	32.00	31.80	8.76
DP4FS-R13-1612	1"	20.00	90.80	47.60	38.00	33.20	9.53
DP4FS-R13-1616	1"	25.00	101.10	47.60	38.00	34.70	9.53
DP4FS-R13-2016	1-1/4"	25.00	103.90	54.00	44.00	37.50	10.29
DP4FS-R13-2020	1-1/4"	32.00	116.60	54.00	44.00	41.50	10.29
DP4FS-R13-2420	1-1/2"	32.00	120.10	63.50	51.00	45.10	12.57
DP4FS-R13-2424	1-1/2"	40.00	134.60	63.50	51.00	49.00	12.57
DP4FS-R13-3224	2"	40.00	140.20	79.40	67.00	54.70	12.57
DP4FS-R13-3232	2"	50.00	163.30	79.40	67.00	61.90	12.57

### DP4FSCAT-R13

45° Elbow SAE Flange 9000 PSI – Interlock

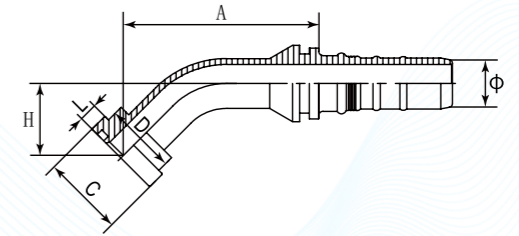
<b>D</b>	<b>P</b>	<b>4</b>	<b>FSCAT</b>	<b>R13</b>
Company	Product Range	Fitting Structure	Connection Type	Hose Fitting
<b>DME</b>	Hose Fitting	45° Elbow	SAE Flange 9000 PSI	Interlock

German Technology Equipment

**SHIELD FLEX**

New-Standard

- DME&JDE Code: DP4FSCAT-R13
- Product Type: Hose Fitting
- Hose Fitting Type: Interlock
- Structure: 45° Elbow
- Connection Type: Flange 9000 PSI



PART NUMBER	Flange Size	Ø	A	C	D	H	L
#	-	Inch	mm	mm	mm	mm	mm
DP4FSCAT-R13-1212	3/4"	20.00	92.60	41.30	32.00	35.60	14.30
DP4FSCAT-R13-1612	1"	20.00	93.70	47.60	38.00	36.70	14.30
DP4FSCAT-R13-1616	1"	25.00	103.90	47.60	38.00	37.50	14.30
DP4FSCAT-R13-2016	1-1/4"	25.00	104.60	54.00	43.00	38.20	14.30
DP4FSCAT-R13-2020	1-1/4"	32.00	117.30	54.00	43.00	42.30	14.30
DP4FSCAT-R13-2420	1-1/2"	32.00	118.00	63.50	51.00	43.00	14.30
DP4FSCAT-R13-2424	1-1/2"	40.00	132.50	63.50	51.00	46.90	14.30



## DP9BPF-R13

90° Elbow BSPP Female 60° Cone – Interlock

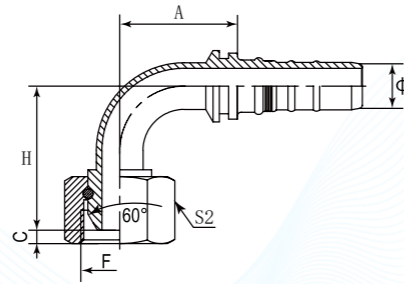
<b>D</b>	<b>P</b>	<b>9</b>	<b>BP</b>	<b>F</b>	<b>R13</b>
Company	Product Range	Fitting Structure	Thread Types	Connection Type	Hose Fitting
<b>DME</b>	Hose Fitting	90° Elbow	BSPP	Female	Interlock

German Technology Equipment

**SHIELD FLEX**

New-Standard

- DME&JDE Code: DP9BPF-R13
- Product Type: Hose Fitting
- Hose Fitting Type: Interlock
- Thread Type: BSPP 60° Cone
- Structure: 90° Elbow
- Connection Type: Female



PART NUMBER	F (Thread)	Ø	A	C	H	S2
#	BSPP	Inch	mm	mm	mm	mm
DP9BPF-R13-1212	3/4"-14	20.00	73.80	8.70	67.10	32
DP9BPF-R13-1616	1"-11	25.00	91.90	10.50	72.00	41
DP9BPF-R13-2020	1-1/4"-11	32.00	105.80	10.10	88.30	50
DP9BPF-R13-2424	1-1/2"-11	40.00	124.20	12.50	103.00	55
DP9BPF-R13-3232	2"-11	50.00	148.80	16.00	123.30	70

## DP9JCF-R13

90° Elbow JIC Female 74° Cone – Interlock

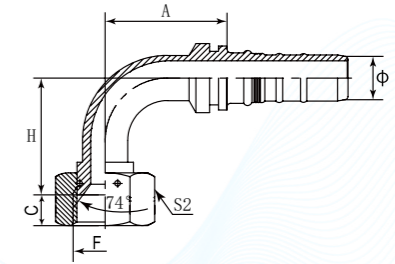
<b>D</b>	<b>P</b>	<b>9</b>	<b>JC</b>	<b>F</b>	<b>R13</b>
Company	Product Range	Fitting Structure	Thread Types	Connection Type	Hose Fitting
<b>DME</b>	Hose Fitting	90° Elbow	JIC UNF	Female	Interlock

German Technology Equipment

**SHIELD FLEX**

New-Standard

- DME&JDE Code: DP9JCF-R13
- Product Type: Hose Fitting
- Hose Fitting Type: Interlock
- Thread Type: JIC UNF74° Cone
- Structure: 90° Elbow
- Connection Type: Female



PART NUMBER	F (Thread)	Ø	A	C	H	S2
#	UNF	Inch	mm	mm	mm	mm
DP9JCF-R13-1212	1-3/16"-12	20.00	73.80	15.00	64.50	32
DP9JCF-R13-1616	1-5/16"-12	25.00	88.90	16.00	72.50	41
DP9JCF-R13-2020	1-5/8"-12	32.00	105.80	16.10	81.50	50
DP9JCF-R13-2424	1-7/8"-12	40.00	124.20	20.00	101.00	55
DP9JCF-R13-3232	2-1/2"-12	50.00	150.30	23.50	121.30	75





## DP9MFS-R13

90° Elbow Metric Female 24° Cone + O Ring Heavy Type – Interlock

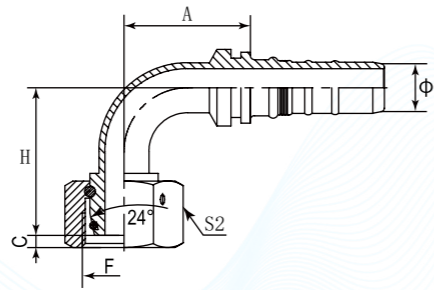
<b>D</b>	<b>P</b>	<b>9</b>	<b>M</b>	<b>FS</b>	<b>R13</b>
Company	Product Range	Fitting Structure	Thread Types	Connection Type	Hose Fitting
<b>DME</b>	Hose Fitting	90° Elbow	Metric	Female + O Ring Heavy Type	Interlock

German Technology Equipment

**SHIELD FLEX**

New-Standard

- DME&JDE Code: DP9MFS-R13
- Product Type: Hose Fitting
- Hose Fitting Type: Interlock
- Thread Type: Metric 24° Cone + O Ring Heavy Type
- Structure: 90° Elbow
- Connection Type: Female
- Sealing Method: O Rings



PART NUMBER	F (Thread)	Ø	A	C	H	S2
#	Metric	Inch	mm	mm	mm	mm
DP9MFS-R13-3612	M36X2	20.00	74.50	3.50	67.80	46
DP9MFS-R13-3616	M36X2	25.00	88.90	3.20	79.50	46
DP9MFS-R13-4216	M42X2	25.00	88.90	3.90	80.50	50
DP9MFS-R13-4220	M42X2	32.00	105.80	3.90	91.50	50
DP9MFS-R13-5220	M52X2	32.00	105.80	4.50	86.50	60
DP9MFS-R13-5224	M52X2	40.00	124.20	4.50	104.50	60

## DP90RF-R13

90° Elbow ORFS Female – Interlock

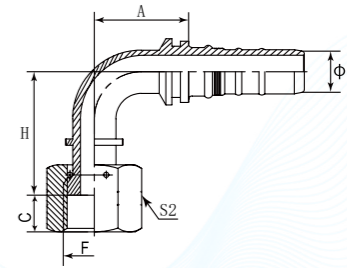
<b>D</b>	<b>P</b>	<b>9</b>	<b>OR</b>	<b>F</b>	<b>R13</b>
Company	Product Range	Fitting Structure	Thread Types	Connection Type	Hose Fitting
<b>DME</b>	Hose Fitting	90° Elbow	ORFS UNF	Female	Interlock

German Technology Equipment

**SHIELD FLEX**

New-Standard

- DME&JDE Code: DP90RF-R13
- Product Type: Hose Fitting
- Hose Fitting Type: Interlock
- Thread Type: UNF
- Structure: 90° Elbow
- Connection Type: Female



PART NUMBER	F (Thread)	Ø	A	C	H	S2
#	UNF	Inch	mm	mm	mm	mm
DP90RF-R13-1212	1-3/16"-12	20.00	73.80	15.00	80.50	36
DP90RF-R13-1616	1-7/16"-12	25.00	88.90	15.00	88.50	41
DP90RF-R13-2020	1-11/16"-12	32.00	105.80	15.00	100.00	50
DP90RF-R13-2424	2"-12	40.00	123.20	15.00	114.50	60



## DP9FL-R13

90° Elbow SAE Flange 3000 PSI – Interlock

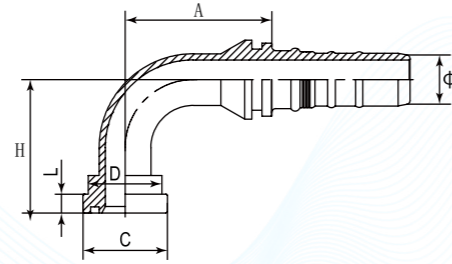
<b>D</b>	<b>P</b>	<b>9</b>	<b>FL</b>	<b>R13</b>
Company	Product Range	Fitting Structure	Connection Type	Hose Fitting
<b>DME</b>	Hose Fitting	90° Elbow	SAE Flange 3000 PSI	Interlock

German Technology Equipment

**SHIELD FLEX**

New-Standard

- DME&JDE Code: DP9FL-R13
- Product Type: Hose Fitting
- Hose Fitting Type: Interlock
- Structure: 90° Elbow
- Connection Type: Flange 3000 PSI



PART NUMBER	Flange Size	Ø	A	C	D	H	L
#	-	Inch	mm	mm	mm	mm	mm
DP9FL-R13-1212	3/4"	20.00	75.00	38.10	31.70	62.00	7.00
DP9FL-R13-1612	1"	20.00	75.00	44.40	38.00	62.00	8.00
DP9FL-R13-1616	1"	25.00	88.90	44.40	38.00	67.50	8.00
DP9FL-R13-2016	1-1/4"	25.00	88.90	50.80	43.00	67.50	8.00
DP9FL-R13-2020	1-1/4"	32.00	105.80	50.80	43.00	78.50	8.00
DP9FL-R13-2420	1-1/2"	32.00	105.80	60.30	50.00	80.50	8.00
DP9FL-R13-2424	1-1/2"	40.00	123.20	60.30	50.00	94.00	8.00
DP9FL-R13-3224	2"	40.00	123.20	71.40	62.00	94.00	9.53
DP9FL-R13-3232	2"	50.00	150.30	71.40	62.00	114.30	9.53

## DP9FS-R13

90° Elbow SAE Flange 6000 PSI – Interlock

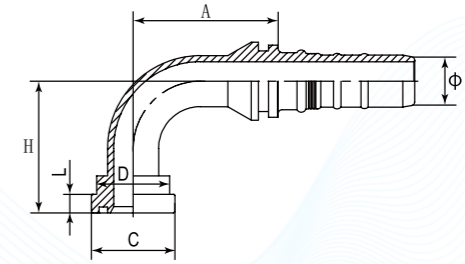
<b>D</b>	<b>P</b>	<b>9</b>	<b>FS</b>	<b>R13</b>
Company	Product Range	Fitting Structure	Connection Type	Hose Fitting
<b>DME</b>	Hose Fitting	90° Elbow	SAE Flange 6000 PSI	Interlock

German Technology Equipment

**SHIELD FLEX**

New-Standard

- DME&JDE Code: DP9FS-R13
- Product Type: Hose Fitting
- Hose Fitting Type: Interlock
- Structure: 90° Elbow
- Connection Type: Flange 6000 PSI



PART NUMBER	Flange Size	Ø	A	C	D	H	L
#	-	Inch	mm	mm	mm	mm	mm
DP9FS-R13-1212	3/4"	20.00	75.00	41.30	32.00	66.00	8.76
DP9FS-R13-1612	1"	20.00	75.00	47.60	38.00	68.00	9.53
DP9FS-R13-1616	1"	25.00	88.90	47.60	38.00	73.50	9.53
DP9FS-R13-2016	1-1/4"	25.00	88.90	54.00	44.00	78.50	10.29
DP9FS-R13-2020	1-1/4"	32.00	105.80	54.00	44.00	86.50	10.29
DP9FS-R13-2420	1-1/2"	32.00	105.80	63.50	51.00	89.50	12.57
DP9FS-R13-2424	1-1/2"	40.00	124.20	63.50	51.00	103.00	12.57
DP9FS-R13-3224	2"	40.00	124.20	79.40	67.00	103.00	12.57
DP9FS-R13-3232	2"	50.00	150.30	79.40	67.00	123.30	12.57





## DP9FSCAT-R13

90° Elbow SAE Flange 9000 PSI – Interlock

<b>D</b>	<b>P</b>	<b>9</b>	<b>FSCAT</b>	<b>R13</b>
Company	Product Range	Fitting Structure	Connection Type	Hose Fitting
<b>DME</b>	Hose Fitting	90° Elbow	SAE Flange 9000 PSI	Interlock

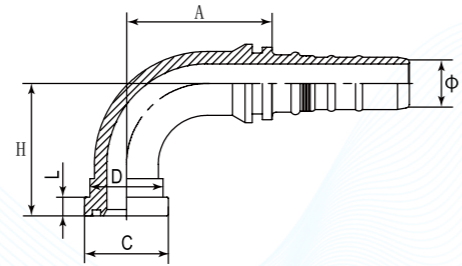
DME&JDE Code: DP9FSCAT-R13

Product Type: Hose Fitting

Hose Fitting Type: Interlock

Structure: 90° Elbow

Connection Type: Flange 9000 PSI



German Technology Equipment

**SHIELD FLEX**

New-Standard

PART NUMBER	Flange Size	Ø	A	C	D	H	L
#	-	Inch	mm	mm	mm	mm	mm
DP9FSCAT-R13-1212	3/4"	20.00	75.00	41.30	32.00	71.50	14.30
DP9FSCAT-R13-1612	1"	20.00	75.00	47.60	38.00	73.00	14.30
DP9FSCAT-R13-1616	1"	25.00	88.90	47.60	38.00	78.50	14.30
DP9FSCAT-R13-2016	1-1/4"	25.00	88.90	54.00	43.00	79.50	14.30
DP9FSCAT-R13-2020	1-1/4"	32.00	105.80	54.00	43.00	90.50	14.30
DP9FSCAT-R13-2420	1-1/2"	32.00	105.80	63.50	51.00	91.50	14.30
DP9FSCAT-R13-2424	1-1/2"	40.00	124.20	63.50	51.00	105.00	14.30



# Hose Fitting

## Interlock





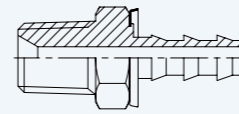


# Hose Fitting

# Push-on >>

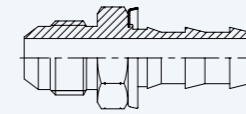


**DP1NPM-PO**  
P875



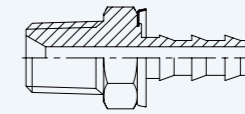
Straight NPTF Male 60° - Push On Tail

**DP1JCM-PO**  
P876



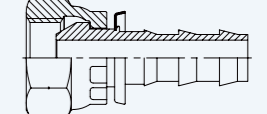
Straight JIC Male 74° Cone - Push On Tail

**DP1BTM-PO**  
P877



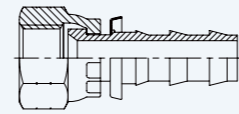
Straight BSPT Male 60° Cone - Push On Tail

**DP1BPF-PO**  
P878



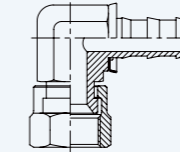
Straight BSPP Swivel Female 60° - Push On Tail

**DP1JCF-PO**  
P879



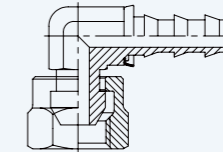
Straight JIC Swivel Female 74° - Push On Tail

**DP9JCF-PO**  
P880



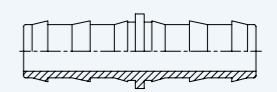
90° Elbow JIC Swivel Female 74° Cone - Push On Tail

**DP9BPF-PO**  
P881



90° Elbow BSPP Swivel Female 60° - Push On Tail

**DDC-PO**  
P882



Push On Hose Joiner



## DP1NPM-PO

Straight NPTF Male 60° – Push On Tail

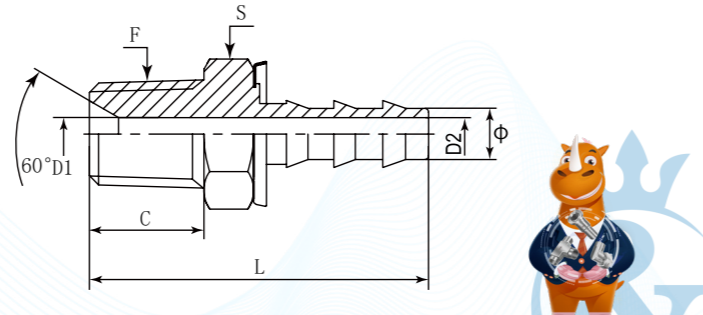
<b>D</b>	<b>P</b>	<b>I</b>	<b>NP</b>	<b>M</b>	<b>PO</b>
Company	Product Range	Fitting Structure	Thread Types	Connection Type	Hose Fitting Type
<b>DME</b>	Hose Fitting	Straight	NPTF	Male	Push On Tail

German Technology Equipment

**SHIELD FLEX**

New-Standard

- DME&JDE Code: DP1NPM-PO
- Product Type: Hose Fitting
- Hose Fitting Type: Push-On
- Thread Type: NPTF 60° Cone
- Structure: Straight
- Connection Type: Male



PART NUMBER	F (Thread)	Ø	C	D1	D2	L	S
#	NPTF	Inch	mm	mm	mm	mm	mm
DP1NPM-0204PO	1/8"-27	6.70	10.50	4.30	4.30	38.40	12.00
DP1NPM-0404PO	1/4"-18	6.70	15.00	4.30	4.30	44.40	17.00
DP1NPM-0606PO	3/8"-18	9.90	16.00	7.50	7.50	51.90	19.00
DP1NPM-0608PO	3/8"-18	13.20	16.00	9.90	9.90	53.60	19.00
DP1NPM-0806PO	1/2"-14	9.90	19.50	7.50	7.50	55.90	22.00
DP1NPM-0808PO	1/2"-14	13.20	19.50	9.90	9.90	57.60	22.00
DP1NPM-1210PO	3/4"-14	16.25	19.50	15.00	12.40	71.30	27.00
DP1NPM-1212PO	3/4"-14	19.50	19.50	15.40	15.40	71.70	27.00
DP1NPM-1616PO	1"-11-1/2	25.60	25.50	20.80	20.80	87.30	36.00

Web: <https://www.dmejde.com>  
E-mail: [info@dmejde.com](mailto:info@dmejde.com)



Certificate:

## DP1JCM-PO

Straight JIC Male 74° Cone – Push On Tail

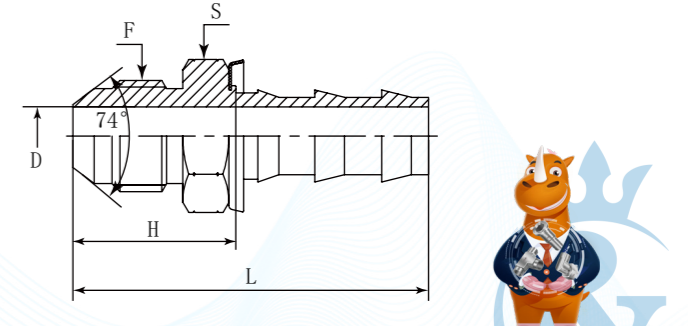
<b>D</b>	<b>P</b>	<b>I</b>	<b>JC</b>	<b>M</b>	<b>PO</b>
Company	Product Range	Fitting Structure	Thread Types	Connection Type	Hose Fitting Type
<b>DME</b>	Hose Fitting	Straight	JIC UNF	Male	Push On Tail

German Technology Equipment

**SHIELD FLEX**

New-Standard

- DME&JDE Code: DP1JCM-PO
- Product Type: Hose Fitting
- Hose Fitting Type: Push-On
- Fitting Thread Type: JIC UNF 74° Cone
- Structure: Straight
- Connection Type: Male



PART NUMBER	F (Thread)	Ø	D	H	L	S
#	UNF	Inch	mm	mm	mm	mm
DP1JCM-0404PO	7/16"-20	6.70	4.30	22.00	40.00	12.00
DP1JCM-0604PO	9/16"-18	6.70	4.30	22.00	40.00	17.00
DP1JCM-0606PO	9/16"-18	9.90	7.50	22.00	40.00	17.00
DP1JCM-0806PO	3/4"-16	9.90	7.50	27.20	48.40	22.00
DP1JCM-0808PO	3/4"-16	13.20	9.90	27.20	52.70	22.00
DP1JCM-1010PO	7/8"-14	16.25	12.20	30.00	69.00	24.00
DP1JCM-1012PO	7/8"-14	19.50	15.50	29.40	68.00	24.00
DP1JCM-1208PO	1-1/16"-12	13.20	9.90	34.50	60.00	30.00
DP1JCM-1210PO	1-1/16"-12	16.25	12.20	34.00	73.00	30.00
DP1JCM-1212PO	1-1/16"-12	19.50	15.50	33.40	72.00	30.00

Web: <https://www.dmejde.com>  
E-mail: [info@dmejde.com](mailto:info@dmejde.com)



Certificate:

## DP1BTM-PO

Straight BSPT Male 60° Cone – Push On Tail

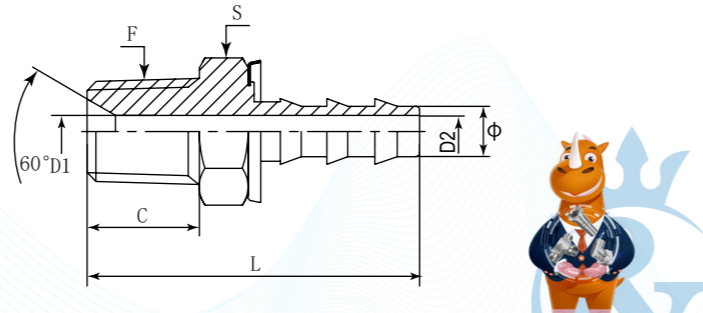
<b>D</b>	<b>P</b>	<b>I</b>	<b>BT</b>	<b>M</b>	<b>PO</b>
Company	Product Range	Fitting Structure	Thread Types	Connection Type	Hose Fitting Type
<b>DME</b>	Hose Fitting	Straight	BSPT	Male	Push On Tail

German Technology Equipment

**SHIELD FLEX**

New-Standard

- DME&JDE Code: DP1BTM-PO
- Product Type: Hose Fitting
- Hose Fitting Type: Push-On
- Thread Type: BSPT 60° Cone
- Structure: Straight
- Connection Type: Male



PART NUMBER	F (Thread)	Ø	C	D1	D2	L	S
#	BSPT	Inch	mm	mm	mm	mm	mm
DP1BTM-0204PO	1/8"-28	6.70	10.50	4.30	4.30	38.40	12.00
DP1BTM-0404PO	1/4"-19	6.70	15.00	4.30	4.30	44.40	17.00
DP1BTM-0606PO	3/8"-19	9.90	16.00	7.50	7.50	51.90	19.00
DP1BTM-0608PO	3/8"-19	13.20	16.00	9.90	9.90	53.60	19.00
DP1BTM-0806PO	1/2"-14	9.90	19.50	7.50	7.50	55.90	22.00
DP1BTM-0808PO	1/2"-14	13.20	19.50	9.90	9.90	57.60	22.00
DP1BTM-1210PO	3/4"-14	16.25	19.50	15.00	12.40	71.30	27.00
DP1BTM-1212PO	3/4"-14	19.50	19.50	15.40	15.40	71.70	27.00
DP1BTM-1616PO	1"-11	25.60	25.50	20.80	20.80	87.30	36.00

## DP1BPF-PO

Straight BSPP Swivel Female 60° – Push On Tail

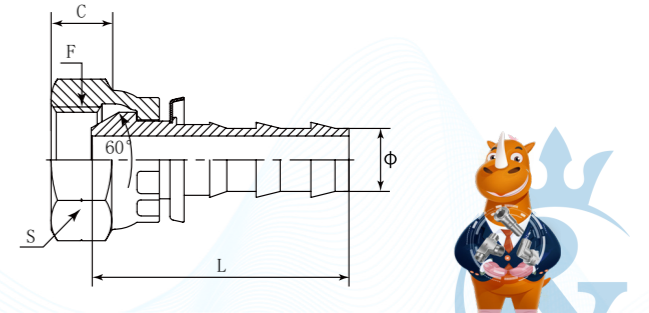
<b>D</b>	<b>P</b>	<b>I</b>	<b>BP</b>	<b>F</b>	<b>PO</b>
Company	Product Range	Fitting Structure	Thread Types	Connection Type	Hose Fitting Type
<b>DME</b>	Hose Fitting	Straight	BSPP	Swivel Female	Push On Tail

German Technology Equipment

**SHIELD FLEX**

New-Standard

- DME&JDE Code: DP1BPF-PO
- Product Type: Hose Fitting
- Hose Fitting Type: Push-On
- Thread Type: BSPP 60°
- Structure: Straight
- Connection Type: Swivel Female



PART NUMBER	F (Thread)	Ø	C	L	S
#	BSPP	Inch	mm	mm	mm
DP1BPF-0404PO	1/4"-19	6.70	8.50	33.90	19.00
DP1BPF-0406PO	1/4"-19	9.90	8.50	39.20	19.00
DP1BPF-0606PO	3/8"-19	9.90	9.00	40.70	22.00
DP1BPF-0608PO	3/8"-19	13.20	9.00	43.40	22.00
DP1BPF-0806PO	1/2"-14	9.90	11.00	41.70	27.00
DP1BPF-0808PO	1/2"-14	13.20	11.00	44.40	27.00
DP1BPF-0810PO	1/2"-14	16.25	11.00	54.80	27.00
DP1BPF-1010PO	5/8"-14	16.25	13.50	55.30	30.00
DP1BPF-1212PO	3/4"-14	19.50	14.50	56.00	32.00
DP1BPF-1616PO	1"-11	25.60	15.50	69.80	41.00





## DP1JCF-PO

Straight JIC Swivel Female 74° – Push On Tail

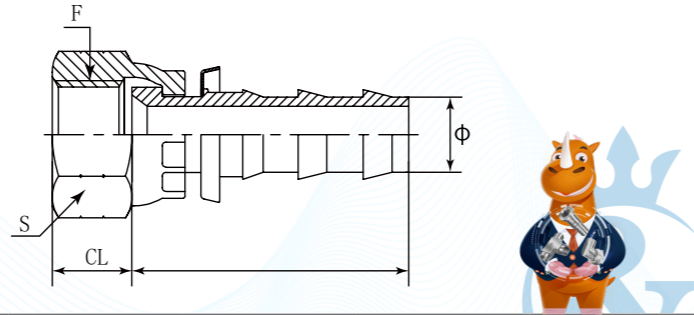
<b>D</b>	<b>P</b>	<b>I</b>	<b>JC</b>	<b>F</b>	<b>PO</b>
Company	Product Range	Fitting Structure	Thread Types	Connection Type	Hose Fitting Type
<b>DME</b>	Hose Fitting	Straight	JIC UNF	Swivel Female	Push On Tail

German Technology Equipment

**SHIELD FLEX**

New-Standard

- DME&JDE Code: DP1JCF-PO
- Product Type: Hose Fitting
- Hose Fitting Type: Push-On
- Thread Type: JIC UNF 74°
- Structure: Straight
- Connection Type: Swivel Female



PART NUMBER	F (Thread)	Ø	C	L	S
#	UNF	mm	mm	mm	mm
DP1JCF-0404PO	7/16"-20	6.70	8.50	30.40	17.00
DP1JCF-0606PO	9/16"-18	9.90	9.50	36.70	19.00
DP1JCF-0806PO	3/4"-16	9.90	11.50	39.20	24.00
DP1JCF-0808PO	3/4"-16	13.20	11.50	41.40	24.00
DP1JCF-1008PO	7/8"-14	13.20	13.00	41.90	27.00
DP1JCF-1010PO	7/8"-14	16.25	13.00	52.30	27.00
DP1JCF-1212PO	1-1/16"-12	19.50	14.50	53.00	32.00
DP1JCF-1616PO	1-5/16"-12	25.60	15.50	64.80	41.00

## DP9JCF-PO

90° Elbow JIC Swivel Female 74° Cone – Push On Tail

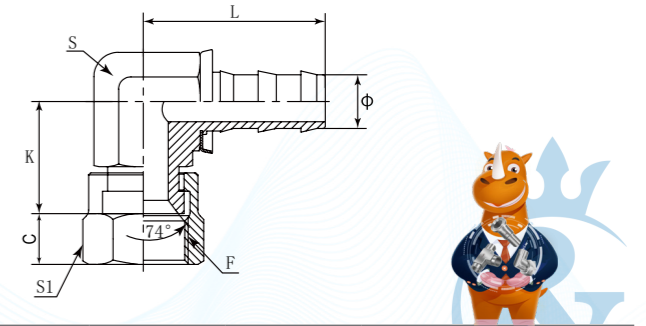
<b>D</b>	<b>P</b>	<b>9</b>	<b>JC</b>	<b>F</b>	<b>PO</b>
Company	Product Range	Fitting Structure	Thread Types	Connection Type	Hose Fitting Type
<b>DME</b>	Hose Fitting	90° Elbow	JIC UNF	Swivel Female	Push On Tail

German Technology Equipment

**SHIELD FLEX**

New-Standard

- DME&JDE Code: DP9JCF-PO
- Product Type: Hose Fitting
- Hose Fitting Type: Push-On
- Thread Type: JIC UNF 74° Cone
- Structure: 90° Elbow
- Connection Type: Swivel Female



PART NUMBER	F (Thread)	Ø	C	K	L	S	S1
#	UNF	Inch	mm	mm	mm	mm	mm
DP9JCF-0404PO	7/16"-20	6.70	9.00	18.00	32.10	11.00	17.00
DP9JCF-0504PO	1/2"-20	6.70	8.38	17.50	34.60	14.00	15.88
DP9JCF-0606PO	9/16"-18	9.90	10.50	22.22	40.00	14.27	19.00
DP9JCF-0808PO	3/4"-16	13.20	10.50	24.33	44.70	19.05	24.00
DP9JCF-1008PO	7/8"-14	13.20	12.50	27.50	46.20	22.00	27.00
DP9JCF-1010PO	7/8"-14	16.25	12.50	27.50	56.60	22.00	27.00
DP9JCF-1212PO	1-1/16"-12	19.50	16.00	30.00	59.50	27.00	32.00

## DP9BPF-PO

90° Elbow BSPP Swivel Female 60° – Push On Tail

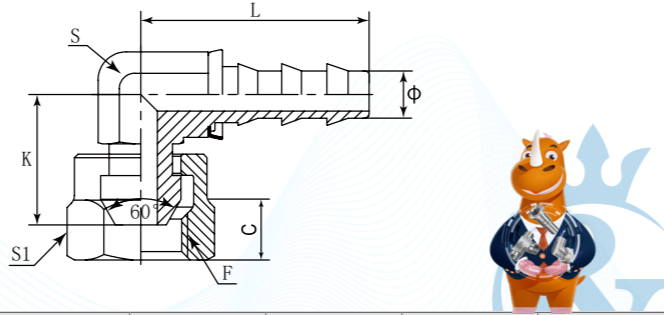
<b>D</b>	<b>P</b>	<b>9</b>	<b>BP</b>	<b>F</b>	<b>PO</b>
Company	Product Range	Fitting Structure	Thread Types	Connection Type	Hose Fitting Type
<b>DME</b>	Hose Fitting	90° Elbow	BSPP	Swivel Female	Push On Tail

German Technology Equipment

**SHIELD FLEX**

New-Standard

- DME&JDE Code: DP9BPF-PO
- Product Type: Hose Fitting
- Hose Fitting Type: Push-On
- Thread Type: BSPP 60°
- Structure: 90° Elbow
- Connection Type: Swivel Female



PART NUMBER	F (Thread)	Ø	C	K	L	S	S1
#	BSPP	Inch	mm	mm	mm	mm	mm
DP9BPF-0404PO	1/4"-19	6.70	8.50	18.50	32.40	11.00	19.00
DP9BPF-0606PO	3/8"-19	9.90	9.00	28.20	38.50	19.00	22.00
DP9BPF-0808PO	1/2"-14	13.20	11.00	26.50	44.70	19.00	27.00
DP9BPF-1212PO	3/4"-14	19.50	14.50	37.90	59.50	27.00	32.00

## DDC-PO

Push On Hose Joiner

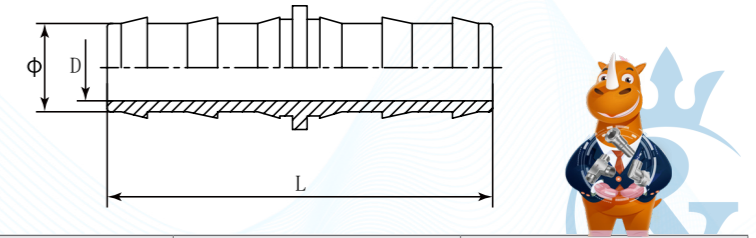
<b>D</b>	<b>DC</b>	<b>PO</b>
Company	Product Range	Hose Fitting Type
<b>DME</b>	Hose Fitting	Push On Tail

German Technology Equipment

**SHIELD FLEX**

New-Standard

- DME&JDE Code: DDC-PO
- Product Type: Hose Fitting
- Hose Fitting Type: Push-On



PART NUMBER	Ø	D	L
#	Inch	mm	mm
DDC-04PO	6.70	4.30	43.30
DDC-06PO	9.90	7.50	53.70
DDC-08PO	13.20	9.90	57.60
DDC-10PO	16.25	12.40	80.20
DDC-12PO	19.50	15.40	79.00

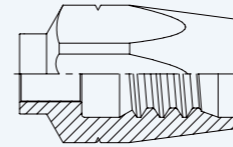




# Hose Fitting

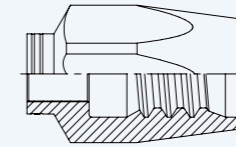
# Reusable »

**DPF1T-RU**  
P885



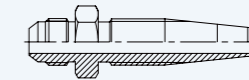
Ferrule, Reusable 1 Wide

**DPF2T-RU**  
P886



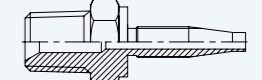
Ferrule, Reusable 2 Wide

**DP1JCM-RU**  
P887



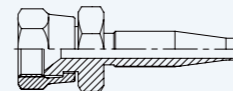
Straight Connector JIC Male 60°  
- Reusable Tail for R1/R2/R5

**DP1NPM-RU**  
P888



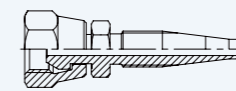
Straight Connector NPTF Male  
60° - Reusable Tail for R1/R2/R5

**DP1JCF-RU**  
P889



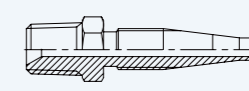
Straight Connector JIC Swivel Female  
- Reusable Tail for R1/R2/R5

**DP1BPF-RU**  
P890



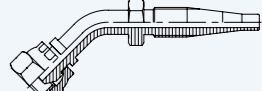
Straight Connector BSPP Swivel  
Female 60° - Reusable Tail for R1/R2/  
R5

**DP1BTM-RU**  
P891



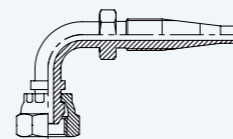
Straight Connector BSPT Male  
60° - Reusable Tail for R1/R2/R5

**DP4BPF-RU**  
P892



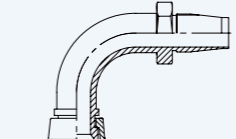
45° Elbow Connector BSPP Swivel  
Female 60° - Reusable Tail for R1/  
R2/R5

**DP9BPF-RU**  
P893



90° Swept Elbows BSPP Swivel  
Female 60° - Reusable Tail for R1/R2/  
R5

**DP9JCF-RU**  
P894



90° Swept Elbows JIC Swivel Female  
- Reusable Tail for R1/R2/R5



## DPF1T-RU

Ferrule, Reusable 1 Wide

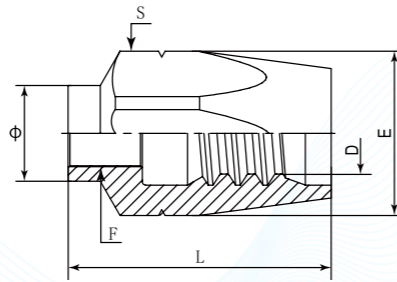
<b>D</b>	<b>P</b>	<b>F</b>	<b>1T</b>	<b>RU</b>
Company	Product Range	Connection Type	Hose Structure	Hose Fitting Type
<b>DME</b>	Hose Fitting	Female	1 Wire	Reusable

German Technology Equipment

**SHIELD FLEX**

New-Standard

- DME&JDE Code: DPF1T-RU
- Product Type: Hose Fitting
- Hose Fitting Type: Reusable
- Available Hoses: 100 R1
- Thread Type: UNF 60° Cone
- Structure: Straight
- Connection Type: Female



PART NUMBER	F (Thread)	D	Ø	E	L	S
#	UNF	mm	mm	mm	mm	mm
DPF1T-RU-04	1/4"-19	11.50	14.80	24.50	41.00	22
DPF1T-RU-05	1/2"-20	13.50	17.00	24.30	43.00	22
DPF1T-RU-06	9/16"-18	15.60	19.00	26.50	47.80	24
DPF1T-RU-08	5/8"-18	18.10	21.00	30.20	48.80	27
DPF1T-RU-10	3/4"-18	20.50	24.00	30.00	49.00	27
DPF1T-RU-12	7/8"-18	26.40	29.00	40.00	57.50	36
DPF1T-RU-16	1-3/16"-16	33.00	38.00	51.10	75.10	46

## DPF2T-RU

Ferrule, Reusable 2 Wide

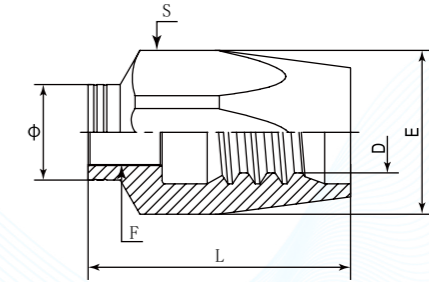
<b>D</b>	<b>P</b>	<b>F</b>	<b>2T</b>	<b>RU</b>
Company	Product Range	Connection Type	Hose Structure	Hose Fitting Type
<b>DME</b>	Hose Fitting	Female	2 Wire	Reusable

German Technology Equipment

**SHIELD FLEX**

New-Standard

- DME&JDE Code: DPF2T-RU
- Product Type: Hose Fitting
- Hose Fitting Type: Reusable
- Available Hoses: 100 R2
- Connection Type: Female
- Thread Types: UNF



PART NUMBER	F (Thread)	D	Ø	E	L	S
#	UNF	mm	mm	mm	mm	mm
DPF2T-RU-04	7/16"-20	12.60	14.80	24.50	40.70	22
DPF2T-RU-06	9/16"-18	17.00	19.00	26.50	47.80	24
DPF2T-RU-08	5/8"-18	19.50	21.50	30.00	49.00	27
DPF2T-RU-10	3/4"-18	23.70	24.50	35.00	52.60	32
DPF2T-RU-12	7/8"-18	26.50	29.00	40.00	57.00	36
DPF2T-RU-16	1-3/16"-16	35.00	35.00	50.00	75.20	46

## DP1JCM-RU

Straight Connector JIC Male 60° – Reusable Tail for R1/R2/R5

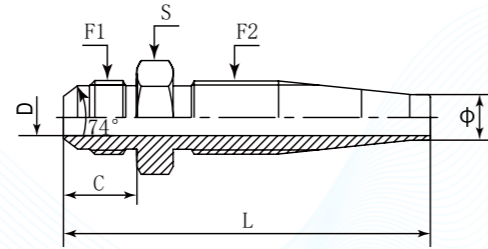
<b>D</b>	<b>P</b>	<b>1</b>	<b>JC</b>	<b>M</b>	<b>RU</b>
Company	Product Range	Fitting Structure	Thread Types	Connection Type	Hose Fitting Type
<b>DME</b>	Hose Fitting	Straight	JIC UNF	Male	Reusable

German Technology Equipment

**SHIELD FLEX**

New-Standard

- DME&JDE Code: DP1JCM-RU
- Product Type: Hose Fitting
- Hose Fitting Type: Reusable
- Available Hoses: 100 R1, 100 R2 or 100 R5
- Thread Type: UNF 74° Cone x UNF
- Structure: Straight
- Connection Type: Male



PART NUMBER	F1 (Thread)	F2 (Thread)	Ø	C	D	L	S
#	UNF	UNF	mm	mm	mm	mm	mm
DP1JCM-RU-0404	7/16"-20	7/16"-20	6.00	14.00	4.00	62.70	15
DP1JCM-RU-0606	9/16"-18	9/16"-18	8.80	14.10	8.80	70.60	19
DP1JCM-RU-0808	3/4"-16	5/8"-18	11.50	16.70	9.30	78.80	24
DP1JCM-RU-1010	7/8"-14	3/4"-18	14.80	19.30	12.30	82.00	27
DP1JCM-RU-1212	1-1/16"-12	7/8"-18	18.10	21.90	15.00	97.20	32
DP1JCM-RU-1616	1-5/16"-12	1-3/16"-16	23.80	23.10	19.80	110.10	36

## DP1NPM-RU

Straight Connector NPTF Male 60° – Reusable Tail for R1/R2/R5

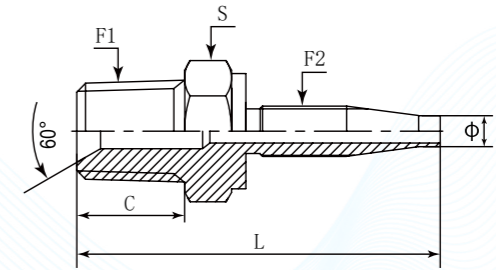
<b>D</b>	<b>P</b>	<b>1</b>	<b>NP</b>	<b>M</b>	<b>RU</b>
Company	Product Range	Fitting Structure	Thread Types	Connection Type	Hose Fitting Type
<b>DME</b>	Hose Fitting	Straight	NPTF	Male	Reusable

German Technology Equipment

**SHIELD FLEX**

New-Standard

- DME&JDE Code: DP1NPM-RU
- Product Type: Hose Fitting
- Hose Fitting Type: Reusable
- Available Hoses: 100 R1, 100 R2 or 100 R5
- Thread Type: NPTF 60° Cone x UNF
- Structure: Straight
- Connection Type: Male



PART NUMBER	F1 (Thread)	F2 (Thread)	Ø	C	L	S
#	NPTF	UNF	Inch	mm	mm	mm
DP1NPM-RU-0404	1/4"-18	9/32"-32	4.30	15.00	50.50	17
DP1NPM-RU-0806	1/2"-14	9/16"-18	8.80	19.50	79.10	22
DP1NPM-RU-0808	1/2"-14	5/8"-18	11.50	19.50	81.60	22
DP1NPM-RU-1210	3/4"-14	3/4"-18	14.80	19.50	82.20	27
DP1NPM-RU-1212	3/4"-14	7/8"-18	18.10	19.50	94.20	27



### DP1JCF-RU

Straight Connector JIC Swivel Female – Reusable Tail for R1/R2/R5

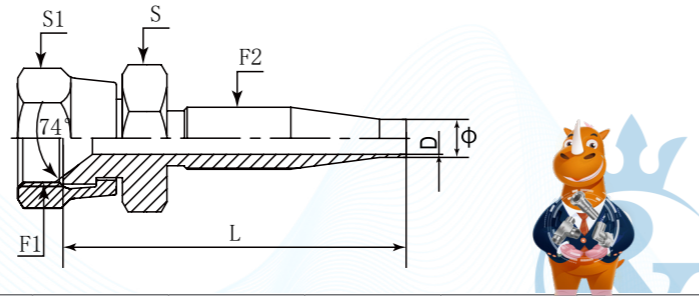
<b>D</b>	<b>P</b>	<b>I</b>	<b>JC</b>	<b>F</b>	<b>RU</b>
Company	Product Range	Fitting Structure	Thread Types	Connection Type	Hose Fitting Type
<b>DME</b>	Hose Fitting	Straight	JIC UNF	Female	Reusable

German Technology Equipment

**SHIELD FLEX**

New-Standard

- DME&JDE Code: DP1JCF-RU
- Product Type: Hose Fitting
- Hose Fitting Type: Reusable
- Available Hoses: 100 R1, 100 R2 or 100 R5
- Thread Type: UNF 74° Cone x UNF
- Structure: Straight
- Connection Type: Swivel Female



PART NUMBER	F1 (Thread)	F2 (Thread)	D	Ø	L	S	S1
#	UNF	UNF	mm	mm	mm	mm	mm
DP1JCF-RU-0404	7/16"-20	7/16"-20	4.00	6.00	57.00	15	17
DP1JCF-RU-0604	9/16"-18	7/16"-20	4.00	6.00	60.50	17	19
DP1JCF-RU-0605	9/16"-18	1/2"-20	6.90	9.00	62.50	19	19
DP1JCF-RU-0606	9/16"-18	9/16"-18	7.00	8.80	67.00	19	19
DP1JCF-RU-0806	3/4"-16	9/16"-18	7.00	8.80	71.00	24	24
DP1JCF-RU-0808	3/4"-16	5/8"-18	9.30	11.50	73.50	24	24
DP1JCF-RU-1008	7/8"-14	5/8"-18	9.30	11.50	76.50	27	27
DP1JCF-RU-1010	7/8"-14	3/4"-18	12.30	14.80	76.50	27	27
DP1JCF-RU-1212	1-1/16"-12	7/8"-18	15.00	18.10	89.00	32	32
DP1JCF-RU-1616	1-5/16"-12	1-3/16"-16	19.80	23.80	103.00	36	38

### DP1BPF-RU

Straight Connector BSPP Swivel Female 60° – Reusable Tail for R1/R2/R5

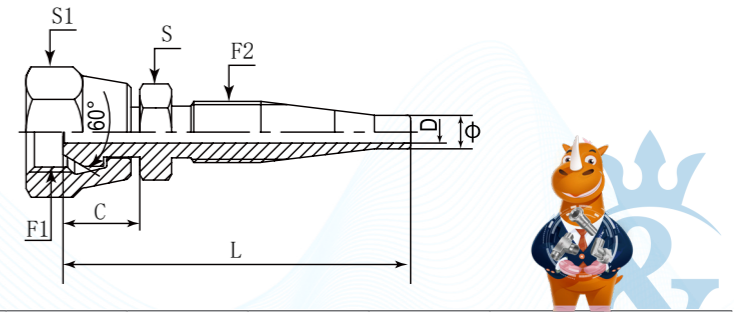
<b>D</b>	<b>P</b>	<b>I</b>	<b>BP</b>	<b>F</b>	<b>RU</b>
Company	Product Range	Fitting Structure	Thread Types	Connection Type	Hose Fitting Type
<b>DME</b>	Hose Fitting	Straight	BSPP	Female	Reusable

German Technology Equipment

**SHIELD FLEX**

New-Standard

- DME&JDE Code: DP1BPF-RU
- Product Type: Hose Fitting
- Hose Fitting Type: Reusable
- Available Hoses: 100 R1, 100 R2 or 100 R5
- Thread Type: BSPP 60° Cone x UNF
- Structure: Straight
- Connection Type: Swivel Female



PART NUMBER	F1 (Thread)	F2 (Thread)	C	D	Ø	L	S	S1
#	BSPP	UNF	mm	mm	mm	mm	mm	mm
DP1BPF-RU-0404	1/4"-19	7/16"-20	10.50	4.00	6.00	59.20	15	19
DP1BPF-RU-0606	3/8"-19	9/16"-18	11.70	7.00	8.80	68.20	19	22
DP1BPF-RU-0808	1/2"-14	5/8"-18	13.50	9.30	11.50	75.60	24	27
DP1BPF-RU-1010	5/8"-14	3/4"-18	14.00	12.30	14.80	76.70	27	30
DP1BPF-RU-1212	3/4"-14	7/8"-18	14.60	15.00	18.10	89.90	32	32
DP1BPF-RU-1616	1"-11	1-3/16"-16	17.50	19.80	23.80	104.50	36	41



## DP1BTM-RU

Straight Connector BSPT Male 60° – Reusable Tail for R1/R2/R5

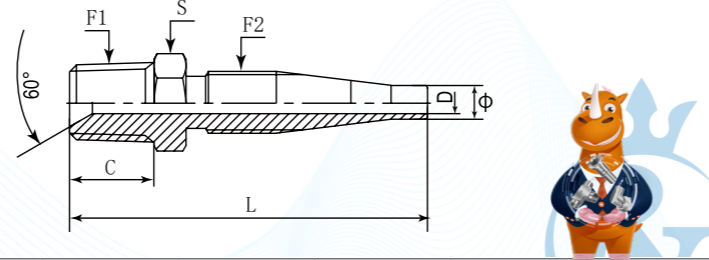
<b>D</b>	<b>P</b>	<b>1</b>	<b>BT</b>	<b>M</b>	<b>RU</b>
Company	Product Range	Fitting Structure	Thread Types	Connection Type	Hose Fitting Type
<b>DME</b>	Hose Fitting	Straight	BSPT	Male	Reusable

German Technology Equipment

**SHIELD FLEX**

New-Standard

- DME&JDE Code: DP1BTM-RU
- Product Type: Hose Fitting
- Hose Fitting Type: Reusable
- Available Hoses: 100 R1, 100 R2 or 100 R5
- Thread Type: BSPT 60° Cone x UNF
- Structure: Straight
- Connection Type: Male



PART NUMBER	F1 (Thread)	F2 (Thread)	C	D	Ø	L	S
#	BSPT	UNF	mm	mm	mm	mm	mm
DP1BTM-RU-0404	1/4"-19	7/16"-20	14.50	4.00	6.00	63.20	15
DP1BTM-RU-0606	3/8"-19	9/16"-18	15.00	7.00	8.80	71.50	19
DP1BTM-RU-0808	1/2"-14	5/8"-18	20.00	9.30	11.50	82.10	24
DP1BTM-RU-1212	3/4"-14	7/8"-18	19.50	15.00	18.10	94.80	32
DP1BTM-RU-1616	1"-11	1-3/16"-16	25.50	19.80	23.80	112.50	36

## DP4BPF-RU

45° Elbow Connector BSPP Swivel Female 60° – Reusable Tail for R1/R2/R5

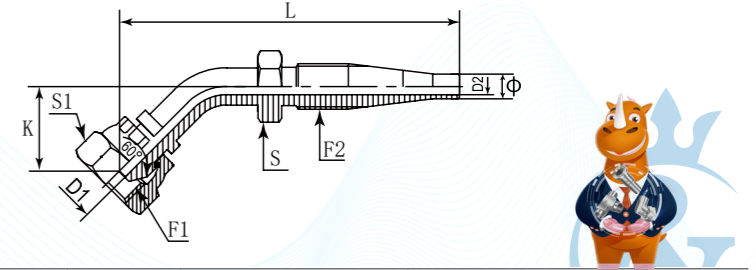
<b>D</b>	<b>P</b>	<b>4</b>	<b>BP</b>	<b>F</b>	<b>RU</b>
Company	Product Range	Fitting Structure	Thread Types	Connection Type	Hose Fitting Type
<b>DME</b>	Hose Fitting	45° Elbow	BSPP	Swivel Female	Reusable

German Technology Equipment

**SHIELD FLEX**

New-Standard

- DME&JDE Code: DP4BPF-RU
- Product Type: Hose Fitting
- Hose Fitting Type: Reusable
- Available Hoses: 100 R1, 100 R2 or 100 R5
- Thread Type: BSPP 60° Cone x UNF
- Structure: 45° Elbow
- Connection Type: Swivel Female



PART NUMBER	F1 (Thread)	F2 (Thread)	D1/D2	Ø	K	L	S	S1
#	BSPP	UNF	mm	mm	mm	mm	mm	mm
DP4BPF-RU-0404	1/4"-19	7/16"-20	4.00	6.00	20.00	83.00	15	19
DP4BPF-RU-0606	3/8"-19	9/16"-18	7.00	8.80	22.60	94.00	19	22
DP4BPF-RU-0808	1/2"-14	5/8"-18	9.30	11.50	26.00	112.00	24	27
DP4BPF-RU-1212	3/4"-14	7/8"-18	15.00	18.10	31.80	140.50	32	32
DP4BPF-RU-1616	1"-11	1-3/16"-16	19.80	23.80	35.00	161.00	36	41

## DP9BPF-RU

90° Swept Elbows BSPP Swivel Female 60° – Reusable Tail for R1/R2/R5

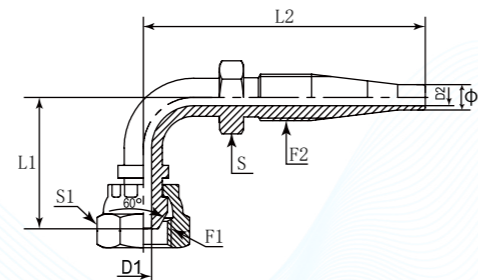
<b>D</b>	<b>P</b>	<b>9</b>	<b>BP</b>	<b>F</b>	<b>RU</b>
Company	Product Range	Fitting Structure	Thread Types	Connection Type	Hose Fitting Type
<b>DME</b>	Hose Fitting	90° Swept Elbows	BSPP	Swivel Female	Reusable

German Technology Equipment

**SHIELD FLEX**

New-Standard

- DME&JDE Code: DP9BPF-RU
- Product Type: Hose Fitting
- Hose Fitting Type: Reusable
- Available Hoses: 100 R1, 100 R2 or 100 R5
- Thread Type: BSPP 60° Cone x UNF
- Structure: 90° Swept Elbows
- Connection Type: Swivel Female



PART NUMBER	F1 (Thread)	F2 (Thread)	D1	D2	Ø	L1	L2	S	S1
#	BSPP	UNF	mm	mm	mm	mm	mm	mm	mm
DP9BPF-RU-0404	1/4"-19	7/16"-20	4.00	4.00	6.00	30.00	76.00	15	19
DP9BPF-RU-0606	3/8"-19	9/16"-18	7.00	7.00	8.80	43.00	82.50	19	22
DP9BPF-RU-0808	1/2"-14	5/8"-18	9.30	9.30	11.50	51.00	92.00	24	27
DP9BPF-RU-1212	3/4"-14	7/8"-18	15.00	15.00	18.10	66.00	126.50	32	32
DP9BPF-RU-1616	1"-11	1-3/16"-16	19.80	19.80	23.80	73.80	146.00	36	41

## DP9JCF-RU

90° Swept Elbows JIC Swivel Female – Reusable Tail for R1/R2/R5

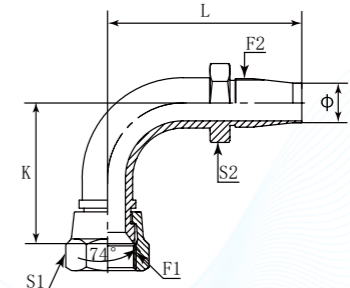
<b>D</b>	<b>P</b>	<b>9</b>	<b>JC</b>	<b>F</b>	<b>RU</b>
Company	Product Range	Fitting Structure	Thread Types	Connection Type	Hose Fitting Type
<b>DME</b>	Hose Fitting	90° Swept Elbows	JIC UNF	Swivel Female	Reusable

German Technology Equipment

**SHIELD FLEX**

New-Standard

- DME&JDE Code: DP9JCF-RU
- Product Type: Hose Fitting
- Hose Fitting Type: Reusable
- Available Hoses: 100 R1, 100 R2 or 100 R5
- Thread Type: UNF x UNF
- Structure: 90° Elbows
- Connection Type: Swivel Female



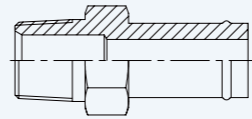
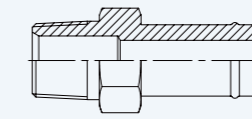
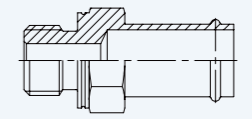
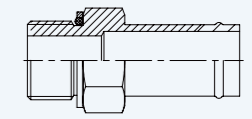
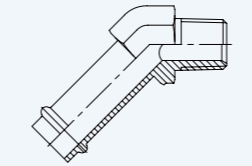
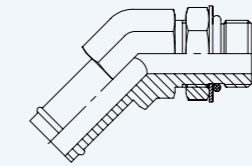
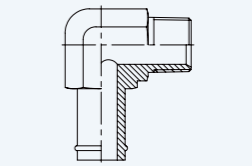
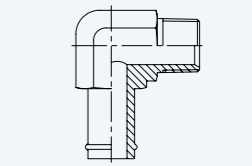
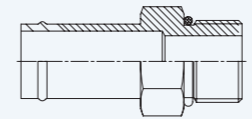
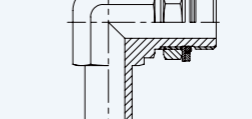
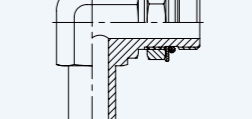
PART NUMBER	F1 (Thread)	F2 (Thread)	Ø	L	K	S1	S2
#	UNF	UNF	Inch	mm	mm	mm	mm
DP9JCF-RU-0404	7/16"-20	7/16"-20	6.00	74.00	29.00	17	15
DP9JCF-RU-0606	9/16"-18	9/16"-18	8.80	84.50	32.50	19	17
DP9JCF-RU-0808	3/4"-16	5/8"-18	11.60	88.00	31.00	24	24
DP9JCF-RU-1010	7/8"-14	3/4"-18	14.80	109.70	52.00	27	27
DP9JCF-RU-1212	1-1/16"-12	7/8"-18	18.10	133.10	58.00	32	32
DP9JCF-RU-1616	1-5/16"-12	1-3/16"-16	23.80	144.50	71.00	38.10	36





# Hose Fitting

# Suction >>

<p><b>DASTH128M</b> P897</p>  <p>Straight Connector Suction Tail for Rubber Hose - NPTF Male 60°</p>	<p><b>DASTH107M</b> P898</p>  <p>Straight Connector Suction Tail for Rubber Hose - BSPT Male 60°</p>	<p><b>DASTH1525</b> P899</p>  <p>Straight Suction Tail for Rubber Hose - Metric Male + O Ring Seal</p>	<p><b>DASTH106Q</b> P900</p>  <p>Straight Connector Suction Tail for Rubber Hose - BSPP Male + O Ring + Retaining Ring</p>
<p><b>DASTH428M</b> P901</p>  <p>45° Elbow Suction Tail for Rubber Hose - NPTF Male 60°</p>	<p><b>DASTH4305</b> P902</p>  <p>45° Adjustable Elbow Suction Tail for Rubber Hose - SAE Male + O Ring</p>	<p><b>DASTH928M</b> P903</p>  <p>90° Elbow Suction Tail for Rubber Hose - NPTF Male 60°</p>	<p><b>DASTH907M</b> P904</p>  <p>90° Elbow Suction Tail for Rubber Hose - BSPT Male 60°</p>
<p><b>DASTH1305</b> P905</p>  <p>Straight Connector Suction Tail for Rubber Hose - SAE Male + O Ring</p>	<p><b>DASTH906Q</b> P906</p>  <p>90° Adjustable Elbow Suction Tail for Rubber Hose - BSPP Male + O Ring + Retaining Ring</p>	<p><b>DASTH9305</b> P907</p>  <p>90° Adjustable Elbow Suction Tail for Rubber Hose - SAE Male + O Ring</p>	



## DASTH128M

Straight Connector Suction Tail for Rubber Hose – NPTF Male 60°

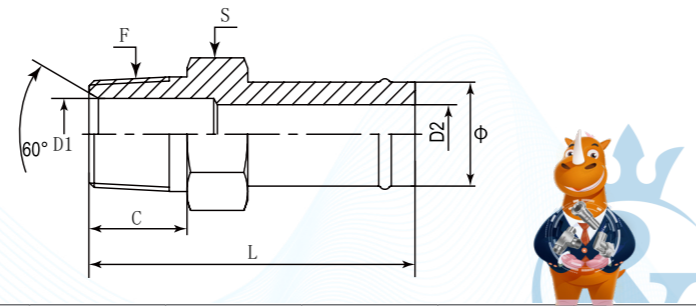
<b>D</b>	<b>A</b>	<b>STH</b>	<b>1</b>	<b>28</b>	<b>M</b>
Company	Product Range	Adaptor Type	Fitting Structure	Thread Types	Connection Type
<b>DME</b>	Adaptor	Suction Tail	Straight	NPTF	Male

German Technology Equipment

**SHIELD FLEX**

New-Standard

- DME&JDE Code: **DASTH128M**
- Product Type: **Hydraulic adaptor**
- Hose Fitting Type: **Suction Tail**
- Thread Type: **NPTF 60° Cone**
- Structure: **Straight**
- Connection Type: **Male**



PART NUMBER	F (Thread)	Ø	C	D1	D2	L	S
#	NPTF	Inch	mm	mm	mm	mm	mm
DASTH128M-0402	1/8"-27	6.35	9.65	4.78	4.80	55.10	11.10
DASTH128M-0404	1/4"-18	6.35	14.22	7.14	4.80	59.70	14.30
DASTH128M-0502	1/8"-27	7.94	9.65	4.78	6.40	55.12	11.10
DASTH128M-0504	1/4"-18	7.94	14.22	6.40	6.40	60.20	15.88
DASTH128M-0602	1/8"-27	9.53	9.65	4.78	7.54	55.10	14.27
DASTH128M-0604	1/4"-18	9.53	14.22	7.14	7.14	59.44	15.88
DASTH128M-0606	3/8"-18	9.53	14.22	10.31	7.54	59.72	19.05
DASTH128M-0806	3/8"-18	12.70	14.22	10.31	10.31	59.50	19.05
DASTH128M-0808	1/2"-14	12.70	19.05	13.49	10.30	66.05	23.81
DASTH128M-0812	3/4"-14	12.70	19.05	18.26	10.30	67.80	28.58
DASTH128M-1006	3/8"-18	15.87	14.22	10.31	12.70	59.72	22.22
DASTH128M-1008	1/2"-14	15.87	19.05	12.70	12.70	66.04	23.80
DASTH128M-1012	3/4"-14	15.88	19.05	18.26	12.70	68.38	28.58
DASTH128M-1208	1/2"-14	19.05	19.05	13.49	15.90	66.05	25.40
DASTH128M-1212	3/4"-14	19.05	19.05	18.26	15.90	67.85	28.57
DASTH128M-1216	1-11"	19.05	23.88	23.83	15.90	73.30	34.93
DASTH128M-1608	1/2"-14	25.40	19.05	13.49	21.44	69.00	31.75
DASTH128M-1612	3/4"-14	25.39	19.05	18.26	21.40	67.85	31.75
DASTH128M-1616	1-11"	25.40	23.88	23.83	21.44	72.68	34.93
DASTH128M-1620	1-1/4"-11	25.40	24.64	31.75	21.44	74.94	44.45
DASTH128M-2016	1"-11	31.75	23.88	23.83	27.80	72.60	34.93
DASTH128M-2020	1-1/4"-11	31.75	24.64	31.75	27.80	74.94	44.45
DASTH128M-2024	1-1/2"-11	31.75	25.40	38.10	27.80	77.99	50.80
DASTH128M-2420	1-1/4"-11	38.10	24.64	31.75	34.10	74.94	44.45
DASTH128M-2424	1-1/2"-11	38.10	25.40	34.10	34.10	76.20	50.80
DASTH128M-3232	2"-11	50.80	26.16	49.23	46.80	82.76	63.50

## DASTH107M

Straight Connector Suction Tail for Rubber Hose – BSPT Male 60°

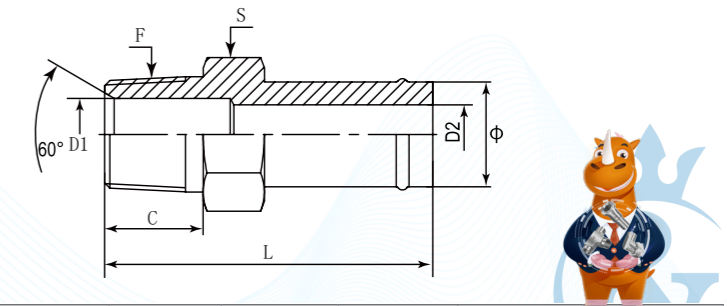
<b>D</b>	<b>A</b>	<b>STH</b>	<b>1</b>	<b>07</b>	<b>M</b>
Company	Product Range	Adaptor Type	Fitting Structure	Thread Types	Connection Type
<b>DME</b>	Adaptor	Suction Tail	Straight	BSPT	Male

German Technology Equipment

**SHIELD FLEX**

New-Standard

- DME&JDE Code: **DASTH107M**
- Product Type: **Hydraulic adaptor**
- Hose Fitting Type: **Suction Tail**
- Thread Type: **BSPT 60° Cone**
- Structure: **Straight**
- Connection Type: **Male**



PART NUMBER	F (Thread)	Ø	C	D1	D2	L	S	Cross Number
#	BSPT	Inch	mm	mm	mm	mm	mm	-
DASTH107M-0808	1/2"-14	12.70	19.00	10.30	12.00	65.60	24	BTM1-0808L
DASTH107M-1208	1/2"-14	19.05	19.00	15.90	12.00	66.00	23.80	BTM1-0812L
DASTH107M-1212	3/4"-14	19.05	20.00	15.90	16.70	67.00	28.60	BTM1-1212L
DASTH107M-1216	1"-11	19.05	24.00	15.90	22.20	71.00	34.90	BTM1-1612L
DASTH107M-1608	1/2"-14	25.40	19.00	21.40	12.00	67.85	31.75	BTM1-0816L
DASTH107M-1612	3/4"-14	25.40	20.00	21.40	16.70	67.00	31.75	BTM1-1216L
DASTH107M-1616	1"-11	25.40	24.00	21.40	23.83	72.00	34.93	BTM1-1616L
DASTH107M-1620	1-1/4"-11	25.40	25.00	21.40	28.60	75.70	44.50	BTM1-2016L
DASTH107M-1624	1-1/2"-11	25.40	25.00	21.40	33.30	77.00	50	BTM1-2416L
DASTH107M-2012	3/4"-14	31.75	20.00	27.80	16.70	68.50	36	BTM1-1220L
DASTH107M-2016	1"-11	31.75	24.00	27.80	23.83	73.00	34.93	BTM1-1620L
DASTH107M-2024	1-1/2"-11	31.75	25.00	27.80	33.30	77.00	50.80	BTM1-2420L
DASTH107M-2416	1"-11	38.10	24.00	33.00	23.83	75.00	46	BTM1-1624L
DASTH107M-2420	1-1/4"-11	38.10	25.00	34.10	28.60	75.50	46	BTM1-2024L
DASTH107M-2424	1-1/2"-11	38.10	25.00	33.30	33.30	77.00	50.80	BTM1-2424L
DASTH107M-2432	2"-11	38.10	30.00	34.10	46.00	85.00	65	BTM1-3224L
DASTH107M-3224	1-1/2"-11	50.80	25.00	46.80	33.30	80.50	60	BTM1-2432L
DASTH107M-3232	2"-11	50.80	28.40	46.80	49.00	82.54	66.68	BTM1-3232L



## DASTH1525

Straight Suction Tail for Rubber Hose – Metric Male + O Ring Seal

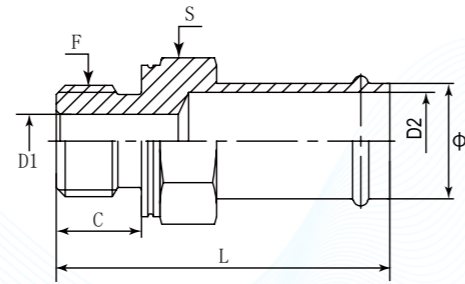
<b>D</b>	<b>A</b>	<b>STH</b>	<b>1</b>	<b>525</b>
Company	Product Range	Adaptor Type	Fitting Structure	Connection Type
<b>DME</b>	Adaptor	Suction Tail	Straight	Metric Male + O Ring Seal

German Technology Equipment

**SHIELD FLEX**

New-Standard

- DME&JDE Code: DASTH1525
- Product Type: Hydraulic adaptor
- Hose Fitting Type: Suction Tail
- Thread Type: Metric + O Ring Seal
- Structure: Straight
- Connection Type: Male
- Sealing Method: O Rings



PART NUMBER	F (Thread)	Ø	C	D1	D2	L	S	Cross Number
#	Metric	mm	mm	mm	mm	mm	mm	-
DASTH1525-1018	M18X1.5	17.55	12.50	11.00	12.70	62.20	24.00	4679-1018

## DASTH106Q

Straight Connector Suction Tail for Rubber Hose – BSPP Male + O Ring + Retaining Ring

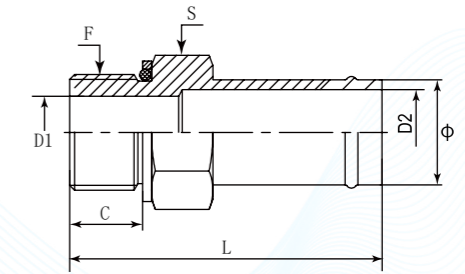
<b>D</b>	<b>A</b>	<b>STH</b>	<b>1</b>	<b>06</b>	<b>0</b>
Company	Product Range	Adaptor Type	Fitting Structure	Thread Types	Connection Type
<b>DME</b>	Adaptor	Suction Tail	Straight	BSPP	Male + O Ring + Retaining Ring

German Technology Equipment

**SHIELD FLEX**

New-Standard

- DME&JDE Code: DASTH106Q
- Product Type: Hydraulic adaptor
- Hose Fitting Type: Suction Tail
- Thread Type: BSPP + O Ring + Retaining Ring
- Structure: Straight
- Connection Type: Male
- Sealing Method: O Ring + Retaining Ring



PART NUMBER	F (Thread)	Ø	C	D1	D2	L	S	Cross Number
#	BSPP	Inch	mm	mm	mm	mm	mm	-
DASTH106Q-1212	3/4"-14	19.05	14.50	15.50	15.50	67.60	32	BPM1-1212L
DASTH106Q-1216	1"-11	19.05	18.60	21.50	15.90	71.00	41	BPM1-1612L
DASTH106Q-1612	3/4"-14	25.40	14.50	15.50	21.40	67.60	32	BPM1-1216L
DASTH106Q-1616	1"-11	25.40	18.60	21.40	21.40	71.00	41	BPM1-1616L
DASTH106Q-1620	1-1/4"-11	25.40	18.60	27.50	21.40	72.50	50	BPM1-2016L
DASTH106Q-2012	3/4"-14	31.75	14.50	15.50	27.80	66.50	36	BPM1-1220L
DASTH106Q-2016	1"-11	31.75	18.60	21.50	27.80	68.00	41	BPM1-1620L
DASTH106Q-2020	1-1/4"-11	31.75	18.60	27.50	27.50	76.00	50	BPM1-2020L
DASTH106Q-2416	1"-11	38.10	18.60	21.50	34.10	73.50	46	BPM1-1624L
DASTH106Q-2420	1-1/4"-11	38.10	18.60	27.50	34.10	76.00	50	BPM1-2024L
DASTH106Q-2424	1-1/2"-11	38.10	18.60	33.00	33.00	76.00	55	BPM1-2424L
DASTH106Q-3220	1-1/4"-11	50.80	18.60	27.50	46.80	75.20	60	BPM1-2032L
DASTH106Q-3224	1-1/2"-11	50.80	18.60	33.00	46.80	75.20	60	BPM1-2432L
DASTH106Q-3232	2"-11	50.80	18.60	45.00	46.80	75.20	70	BPM1-3232L



## DASTH428M

45° Elbow Suction Tail for Rubber Hose – NPTF Male60°

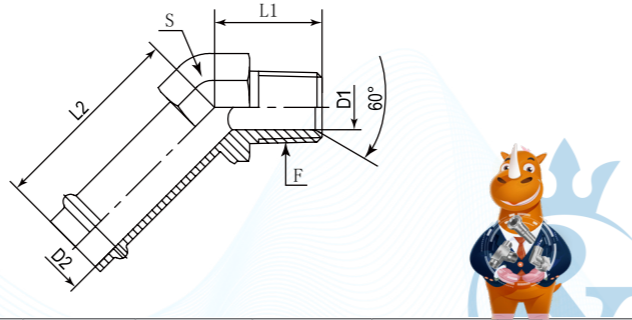
<b>D</b>	<b>A</b>	<b>STH</b>	<b>4</b>	<b>28</b>	<b>M</b>
Company	Product Range	Adaptor Type	Fitting Structure	Thread Types	Connection Type
<b>DME</b>	Adaptor	Suction Tail	45° Elbow	NPTF	Male

German Technology Equipment

**SHIELD FLEX**

New-Standard

- DME&JDE Code: **DASTH428M**
- Product Type: **Hydraulic adaptor**
- Hose Fitting Type: **Suction Tail**
- Thread Type: **NPTF 60° Cone**
- Structure: **45° Elbow**
- Connection Type: **Male**



PART NUMBER	F (Thread)	Ø	D1	D2	L1	L2	S	Cross Number
#	NPTF	Inch	mm	mm	mm	mm	Inch	-
DASTH428M-0402	1/8"-27	6.35	4.78	4.80	16.30	38.00	7/16"	4503-0402
DASTH428M-0404	1/4"-18	6.35	7.14	4.80	21.80	38.00	9/16"	4503-0404
DASTH428M-0604	1/4"-18	9.53	7.14	7.50	21.00	40.00	9/16"	4503-0604
DASTH428M-0606	3/8"-18	9.53	10.31	7.50	24.13	45.50	3/4"	4503-0606
DASTH428M-0806	3/8"-18	12.70	10.31	10.31	23.50	43.00	3/4"	4503-0806
DASTH428M-0808	1/2"-14	12.70	13.49	10.31	29.72	44.20	7/8"	4503-0808
DASTH428M-1006	3/8"-18	15.87	10.31	12.70	24.13	44.20	7/8"	4503-1006
DASTH428M-1008	1/2"-14	15.87	13.49	12.70	29.70	46.48	7/8"	4503-1008
DASTH428M-1012	3/4"-14	15.88	18.26	12.70	31.24	43.64	1-1/16"	4503-1012
DASTH428M-1208	1/2"-14	19.05	13.49	15.90	29.71	46.89	7/8"	4503-1208
DASTH428M-1212	3/4"-14	19.05	18.26	15.90	31.24	43.64	1-1/16"	4503-1212
DASTH428M-1216	1"-11-1/2	19.05	23.83	15.90	31.24	43.64	1-5/16"	4503-1216
DASTH428M-1612	3/4"-14	25.39	18.26	21.44	31.00	43.65	1-1/16"	4503-1612
DASTH428M-1616	1"-11-1/2	25.40	23.83	21.44	37.60	48.00	1"5/16	4503-1616
DASTH428M-2020	1-1/4"-11-1/2	31.75	31.75	27.80	41.00	48.50	1"5/8	4503-2020
DASTH428M-2424	1-1/2"-11-1/2	38.10	38.10	34.10	44.96	54.50	1"7/8	4503-2424
DASTH428M-3232	2"-11-1/2	50.80	49.23	46.80	50.80	53.60	1"1/2	4503-3232



## DASTH4305

45° Adjustable Elbow Suction Tail for Rubber Hose – SAE Male + O Ring

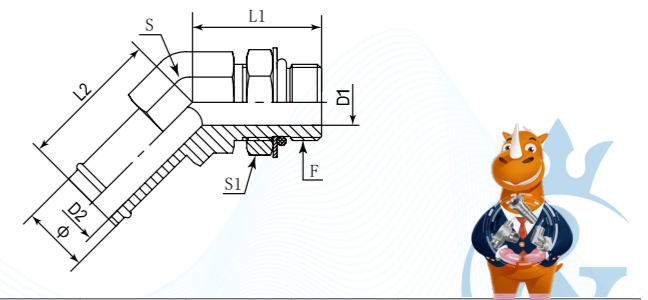
<b>D</b>	<b>A</b>	<b>STH</b>	<b>4</b>	<b>30</b>	<b>5</b>
Company	Product Range	Adaptor Type	Fitting Structure	Thread Types	Connection Type
<b>DME</b>	Adaptor	Suction Tail	45° Elbow	SAE UNF	Male + O Ring

German Technology Equipment

**SHIELD FLEX**

New-Standard

- DME&JDE Code: **DASTH4305**
- Product Type: **Hydraulic adaptor**
- Hose Fitting Type: **Suction Tail**
- Thread Type: **SAE UNF + O Ring**
- Structure: **45° Elbow**
- Connection Type: **Adjustable Male**
- Sealing Method: **O Rings**



PART NUMBER	F (Thread)	Ø	D1	D2	L1	L2	S	S1	Cross Number
#	UNF	Inch	mm	mm	mm	mm	mm	mm	-
DASTH4305-0404	7/16"-20	6.35	4.37	4.80	26.19	44.45	12.70	14.29	4603-0404
DASTH4305-0406	9/16"-18	6.35	7.54	4.80	31.75	46.02	15.88	17.46	4603-0406
DASTH4305-0604	7/16"-20	9.52	4.37	7.54	30.23	45.97	11.11	14.29	4603-0604
DASTH4305-0606	9/16"-18	9.52	7.54	7.54	31.75	46.02	15.88	17.46	4603-0606
DASTH4305-0608	3/4"-16	9.52	9.93	7.54	37.34	48.01	20.64	25.40	4603-0608
DASTH4305-0806	9/16"-18	12.70	7.54	10.31	46.02	48.41	20.64	17.46	4603-0806
DASTH4305-0808	3/4"-16	12.70	9.93	10.31	36.91	48.41	20.64	22.22	4603-0808
DASTH4305-1008	3/4"-16	15.87	9.93	12.70	36.83	48.26	20.64	22.22	4603-1008
DASTH4305-1010	7/8"-14	15.87	12.29	12.70	43.26	49.99	23.81	25.40	4603-1010
DASTH4305-1012	1-1/16"-12	15.87	15.47	12.70	49.02	52.58	28.58	31.75	4603-1012
DASTH4305-1208	3/4"-16	19.05	9.93	15.90	36.83	52.00	20.64	25.40	4603-1208
DASTH4305-1210	7/8"-14	19.05	12.29	15.90	44.00	56.00	22.22	27.00	4603-1210
DASTH4305-1212	1-1/16"-12	19.05	15.47	15.90	49.20	52.40	28.58	31.75	4603-1212
DASTH4305-1216	1-5/16"-12	19.05	21.44	15.90	51.82	55.63	34.93	38.10	4603-1216
DASTH4305-1608	3/4"-16	25.39	9.93	21.44	40.64	52.07	28.58	22.22	4603-1608
DASTH4305-1612	1-1/16"-12	25.39	15.47	21.44	49.53	51.31	28.58	31.75	4603-1612
DASTH4305-1614	1-3/16"-12	25.39	18.26	21.44	50.80	53.59	31.75	34.93	4603-1614
DASTH4305-1616	1-5/16"-12	25.40	21.44	21.44	52.07	56.50	33.32	38.10	4603-1616
DASTH4305-1620	1-5/8"-12	25.39	27.38	21.44	57.15	59.44	44.45	47.63	4603-1620
DASTH4305-2012	1-1/16"-12	31.74	15.47	27.80	50.80	60.96	41.27	31.75	4603-2012
DASTH4305-2016	1-5/16"-12	31.75	21.44	27.80	51.80	58.90	34.93	38.10	4603-2016
DASTH4305-2020	1-5/8"-12	31.74	27.38	27.80	56.90	66.40	44.45	47.63	4603-2020
DASTH4305-2024	1-7/8"-12	31.74	33.32	27.80	60.96	63.50	50.80	53.98	4603-2024
DASTH4305-2416	1-5/16"-12	38.11	21.44	34.10	60.45	65.30	41.27	38.10	4603-2416
DASTH4305-2420	1-5/8"-12	38.11	27.38	34.10	60.00	66.50	44.45	47.63	4603-2420
DASTH4305-2424	1-7/8"-12	38.10	33.32	34.10	60.70	68.50	47.63	53.98	4603-2424
DASTH4305-3232	2-1/2"-12	50.80	45.24	46.80	50.35	55.40	63.50	69.85	4603-3232





## DASTH928M

90° Elbow Suction Tail for Rubber Hose – NPTF Male 60°

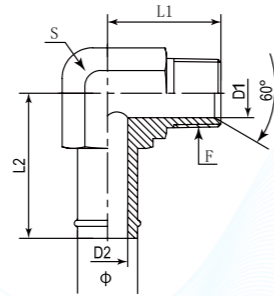
<b>D</b>	<b>A</b>	<b>STH</b>	<b>9</b>	<b>28</b>	<b>M</b>
Company	Product Range	Adaptor Type	Fitting Structure	Thread Types	Connection Type
<b>DME</b>	Adaptor	Suction Tail	90° Elbow	NPTF	Male

German Technology Equipment

**SHIELD FLEX**

New-Standard

- DME&JDE Code: **DASTH928M**
- Product Type: **Hydraulic adaptor**
- Hose Fitting Type: **Suction Tail**
- Thread Type: **NPTF 60° Cone**
- Structure: **90° Elbow**
- Connection Type: **Male**



PART NUMBER	F (Thread)	Ø	D1	D2	L1	L2	S	Cross Number
#	NPTF	Inch	mm	mm	mm	mm	mm	-
DASTH928M-0402	1/8"-27	6.35	4.78	4.80	19.81	46.53	11.11	4501-0402
DASTH928M-0404	1/4"-18	6.35	7.14	4.80	27.69	48.84	14.27	4501-0404
DASTH928M-0504	1/4"-18	8.00	7.14	6.43	27.40	31.80	14.27	4501-0504
DASTH928M-0602	1/8"-27	9.53	4.78	7.54	22.90	46.00	14.27	4501-0602
DASTH928M-0604	1/4"-18	9.53	7.14	7.50	27.69	48.84	14.27	4501-0604
DASTH928M-0606	3/8"-18	9.53	10.31	7.50	30.99	52.10	19.05	4501-0606
DASTH928M-0608	1/2"-14	9.52	13.49	7.54	37.30	51.80	22.20	4501-0608
DASTH928M-0806	3/8"-18	12.70	10.31	10.31	34.54	52.10	19.05	4501-0806
DASTH928M-0808	1/2"-14	12.70	13.49	10.31	37.34	54.44	22.23	4501-0808
DASTH928M-0812	3/4"-14	12.70	18.26	10.30	40.39	56.19	26.97	4501-0812
DASTH928M-1006	3/8"-18	15.87	10.31	12.70	34.54	54.44	19.05	4501-1006
DASTH928M-1008	1/2"-14	15.87	13.49	12.70	37.34	54.44	22.23	4501-1008
DASTH928M-1012	3/4"-14	15.88	18.26	12.70	40.39	56.20	26.98	4501-1012
DASTH928M-1206	3/8"-18	19.05	10.31	15.90	31.90	54.44	22.22	4501-1206
DASTH928M-1208	1/2"-14	19.05	13.49	15.90	37.34	54.44	22.23	4501-1208
DASTH928M-1212	3/4"-14	19.05	18.26	15.90	42.00	56.00	26.90	4501-1212
DASTH928M-1216	1"-11-1/2	19.05	23.83	15.90	50.04	61.84	33.32	4501-1216
DASTH928M-1612	3/4"-14	25.39	18.26	21.44	42.39	56.19	26.97	4501-1612
DASTH928M-1616	1"-11-1/2	25.40	23.83	21.44	50.00	60.80	33.33	4501-1616
DASTH928M-1620	1-1/4"-11-1/2	25.39	34.14	21.40	60.45	63.50	41.27	4501-1620
DASTH928M-2016	1"-11-1/2	31.75	23.83	27.80	50.29	58.00	34.93	4501-2016
DASTH928M-2020	1-1/4"-11-1/2	31.74	31.75	27.80	60.45	66.93	41.27	4501-2020
DASTH928M-2420	1-1/4"-11-1/2	38.10	31.75	34.10	60.00	65.50	47.62	4501-2420
DASTH928M-2424	1-1/2"-11-1/2	38.11	38.10	34.10	67.06	71.11	47.63	4501-2424
DASTH928M-3232	2"-11-1/2	50.80	49.23	46.80	76.20	77.70	63.50	4501-3232



## DASTH907M

90° Elbow Suction Tail for Rubber Hose – BSPT Male 60°

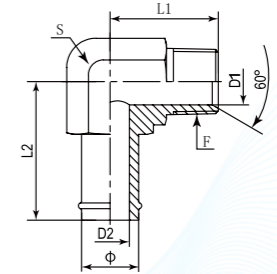
<b>D</b>	<b>A</b>	<b>STH</b>	<b>9</b>	<b>07</b>	<b>M</b>
Company	Product Range	Adaptor Type	Fitting Structure	Thread Types	Connection Type
<b>DME</b>	Adaptor	Suction Tail	90° Elbow	BSPT	Male

German Technology Equipment

**SHIELD FLEX**

New-Standard

- DME&JDE Code: **DASTH907M**
- Product Type: **Hydraulic adaptor**
- Hose Fitting Type: **Suction Tail**
- Thread Type: **BSPT 60° Cone**
- Structure: **90° Elbow**
- Connection Type: **Male**



PART NUMBER	F (Thread)	Ø	D1	D2	L1	L2	S	Cross Number
#	BSPT	Inch	mm	mm	mm	mm	mm	-
DASTH907M-0808	1/2"-14	12.70	12.00	10.31	37.30	52.00	22.22	BTM9-0808L
DASTH907M-1012	3/4"-14	15.88	18.00	12.70	40.30	56.20	26.97	BTM9-1210L
DASTH907M-1208	1/2"-14	19.05	12.00	15.90	40.40	56.20	26.98	BTM9-0812L
DASTH907M-1216	1"-11	19.05	22.20	15.90	50.00	60.10	33.32	BTM9-1612L
DASTH907M-1220	1-1/4"-11	19.05	28.60	15.90	60.50	60.00	41.30	BTM9-2012L
DASTH907M-1612	3/4"-14	25.40	18.00	21.40	40.30	52.30	28.70	BTM9-1216L
DASTH907M-1616	1"-11	25.40	22.20	21.40	50.00	54.00	33.30	BTM9-1616L
DASTH907M-1620	1-1/4"-11	25.40	28.60	21.40	60.50	66.90	41.30	BTM9-2016L
DASTH907M-2012	3/4"-14	31.75	16.70	27.80	56.30	65.20	41.30	BTM9-1220L
DASTH907M-2016	1"-11	31.75	22.20	27.80	60.30	65.20	41.30	BTM9-1620L
DASTH907M-2024	1-1/2"-11	31.75	33.30	27.80	62.29	67.30	47.63	BTM9-2420L
DASTH907M-2420	1-1/4"-11	38.10	28.60	34.10	60.50	66.90	47.60	BTM9-2024L
DASTH907M-2424	1-1/2"-11	38.10	33.30	34.10	67.00	66.00	47.63	BTM9-2424L
DASTH907M-3224	1-1/2"-11	50.80	33.30	46.80	71.00	77.70	63.50	BTM9-2432L
DASTH907M-3232	2"-11	50.80	46.00	46.80	75.00	77.70	63.50	BTM9-3232L



## DASTH1305

Straight Connector Suction Tail for Rubber Hose – SAE Male + O Ring

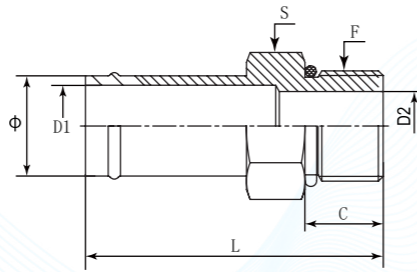
<b>D</b>	<b>A</b>	<b>STH</b>	<b>1</b>	<b>30</b>	<b>5</b>
Company	Product Range	Adaptor Type	Fitting Structure	Thread Types	Connection & Sealing Method
<b>DME</b>	Adaptor	Suction Tail	Straight	SAE UNF	Male + O Ring

German Technology Equipment

**SHIELD FLEX**

New-Standard

- DME&JDE Code: **DASTH1305**
- Product Type: **Hose Fitting**
- Hose Fitting Type: **Suction Tail**
- Thread Type: **SAE UNF + O Ring**
- Structure: **Straight**
- Connection Type: **Male**
- Sealing Method: **O Rings**



PART NUMBER	F (Thread)	Ø	C	D1	D2	L	S
#	UNF	Inch	mm	mm	mm	mm	mm
DASTH1305-0404	7/16"-20	6.35	9.14	4.37	4.37	55.04	14.27
DASTH1305-0406	9/16"-18	6.35	9.93	7.54	4.80	56.64	17.46
DASTH1305-0604	7/16"-20	9.53	9.14	4.37	7.50	55.00	14.27
DASTH1305-0606	9/16"-18	10.95	9.93	7.50	9.53	57.00	17.46
DASTH1305-0608	3/4"-16	9.53	11.13	9.93	7.50	59.70	22.22
DASTH1305-0806	9/16"-18	12.70	9.93	7.54	10.30	57.00	17.46
DASTH1305-0808	3/4"-16	12.70	11.13	9.93	10.31	59.69	22.22
DASTH1305-1008	3/4"-16	15.88	11.13	9.93	12.70	58.50	22.22
DASTH1305-1010	7/8"-14	15.88	12.70	12.29	12.70	63.00	25.40
DASTH1305-1012	1-1/16"-12	15.88	15.09	15.47	12.70	65.80	31.75
DASTH1305-1208	3/4"-16	19.05	11.13	9.93	15.90	62.20	25.40
DASTH1305-1210	7/8"-14	19.05	12.70	12.29	15.90	62.00	25.40
DASTH1305-1212	1-1/16"-12	19.05	15.09	15.47	15.47	66.00	26.98
DASTH1305-1216	1-5/16"-12	19.05	15.09	21.44	19.05	66.05	38.10
DASTH1305-1608	3/4"-16	25.40	11.13	9.93	21.44	62.80	31.75
DASTH1305-1612	1-1/16"-12	25.40	15.09	15.47	21.40	66.04	31.75
DASTH1305-1616	1-5/16"-12	25.40	15.09	21.40	21.40	66.50	38.10
DASTH1305-1620	1-5/8"-12	25.40	15.09	27.38	21.44	68.60	47.63
DASTH1305-2012	1-1/16"-12	31.75	15.09	15.47	27.80	66.10	38.10
DASTH1305-2016	1-5/16"-12	31.75	15.09	21.44	27.80	69.00	38.10
DASTH1305-2020	1-5/8"-12	31.75	15.09	27.38	27.38	67.90	47.60
DASTH1305-2024	1-7/8"-12	31.75	15.09	33.32	27.80	70.40	53.97
DASTH1305-2416	1-5/16"-12	38.10	15.09	21.44	33.32	66.80	42.88
DASTH1305-2420	1-5/8"-12	38.10	15.09	27.38	38.10	68.90	47.63
DASTH1305-2424	1-7/8"-12	38.10	15.09	33.32	33.32	70.40	53.97
DASTH1305-3220	1-5/8"-12	50.80	15.09	27.38	46.80	74.00	57.15
DASTH1305-3224	1-7/8"-12	50.80	15.09	33.32	46.80	70.80	57.15
DASTH1305-3232	2-1/2"-12	50.80	15.09	45.25	46.80	74.68	69.85



## DASTH906Q

90° Adjustable Elbow Suction Tail for Rubber Hose – BSPP Male + O Ring + Retaining Ring

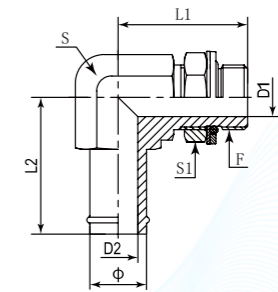
<b>D</b>	<b>A</b>	<b>STH</b>	<b>9</b>	<b>06</b>	<b>Q</b>
Company	Product Range	Adaptor Type	Fitting Structure	Thread Types	Connection Type
<b>DME</b>	Adaptor	Suction Tail	90° Elbow	BSPP	Male + O Ring + Retaining Ring

German Technology Equipment

**SHIELD FLEX**

New-Standard

- DME&JDE Code: **DASTH906Q**
- Product Type: **Hydraulic adaptor**
- Hose Fitting Type: **Suction Tail**
- Thread Type: **BSPP + O Ring + Retaining Ring**
- Structure: **90° Elbow**
- Connection Type: **Adjustable Male**
- Sealing Method: **O Ring + Retaining Ring**



PART NUMBER	F (Thread)	Ø	D1	D2	L1	L2	S	S1	Cross Number
#	BSPP	Inch	mm	mm	mm	mm	mm	mm	-
DASTH906Q-1212	3/4"-14	19.05	15.50	15.90	50.00	49.20	28.58	36	BPM9-1212L
DASTH906Q-1612	3/4"-14	25.40	15.50	21.44	50.00	56.56	28.57	36	BPM9-1216L
DASTH906Q-1616	1"-11	25.40	21.50	21.40	53.00	55.50	33.30	41	BPM9-1616L
DASTH906Q-2012	3/4"-14	31.75	15.50	27.80	56.00	65.00	41.27	36	BPM9-1220L
DASTH906Q-2016	1"-11	31.75	21.50	27.80	53.00	56.50	41.30	41	BPM9-1620L
DASTH906Q-2020	1-1/4"-11	31.75	27.50	27.80	58.00	66.40	41	50	BPM9-2020L
DASTH906Q-2024	1-1/2"-11	31.75	33.00	27.80	60.70	68.00	47.60	55	BPM9-2420L
DASTH906Q-2416	1"-11	38.10	21.50	34.10	60.00	65.00	47.63	41	BPM9-1624L
DASTH906Q-2420	1-1/4"-11	38.10	27.50	34.10	60.70	68.00	48	50	BPM9-2024L
DASTH906Q-2424	1-1/2"-11	38.10	33.00	34.10	66.50	71.10	47.60	55	BPM9-2424L
DASTH906Q-3220	1-1/4"-11	50.80	27.50	46.80	75.00	77.70	63.50	50	BPM9-2032L
DASTH906Q-3224	1-1/2"-11	50.80	33.00	46.80	75.00	77.70	63.50	55	BPM9-2432L
DASTH906Q-3232	2"-11	50.80	45.00	46.80	75.00	77.70	63.50	70	BPM9-3232L



# DASTH9305

90° Adjustable Elbow Suction Tail for Rubber Hose – SAE Male + O Ring

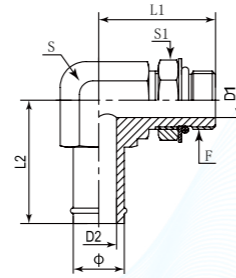
<b>D</b>	<b>A</b>	<b>STH</b>	<b>9</b>	<b>30</b>	<b>5</b>
Company	Product Range	Adaptor Type	Fitting Structure	Thread Types	Connection Type
<b>DME</b>	Adaptor	Suction Tail	90° Elbow	SAE UNF	Male + O Ring

German Technology Equipment

**SHIELD FLEX**

New-Standard

- DME&JDE Code: **DASTH9305**
- Product Type: **Hydraulic adaptor**
- Hose Fitting Type: **Suction Tail**
- Thread Type: **SAE UNF + O Ring**
- Structure: **90° Elbow**
- Connection Type: **Adjustable Male**



PART NUMBER	F (Thread)	Ø	D1	D2	L1	L2	S	S1	Cross Number
#	UNF	Inch	mm	mm	mm	mm	mm	mm	-
DASTH9305-0404	7/16"-20	6.35	4.37	4.80	26.19	44.45	12.70	14.29	4601-0404
DASTH9305-0406	9/16"-18	6.35	7.54	4.80	31.75	46.02	15.88	17.46	4601-0406
DASTH9305-0604	7/16"-20	9.52	4.37	7.54	30.23	45.97	11.11	14.29	4601-0604
DASTH9305-0606	9/16"-18	9.52	7.54	7.54	31.75	46.02	15.88	17.46	4601-0606
DASTH9305-0608	3/4"-16	9.52	9.93	7.54	37.34	48.01	20.64	25.40	4601-0608
DASTH9305-0806	9/16"-18	12.70	7.54	10.31	46.02	48.41	20.64	17.46	4601-0806
DASTH9305-0808	3/4"-16	12.70	9.93	10.31	36.91	48.41	20.64	22.22	4601-0808
DASTH9305-1008	3/4"-16	15.87	9.93	12.70	36.83	48.26	20.64	22.22	4601-1008
DASTH9305-1010	7/8"-14	15.87	12.29	12.70	43.26	49.99	23.81	25.40	4601-1010
DASTH9305-1012	1-1/16"-12	15.87	15.47	12.70	49.02	52.58	28.58	31.75	4601-1012

Certificate:

DASTH9305-1208	3/4"-16	19.05	9.93	15.90	36.83	52.00	20.64	25.40	4601-1208
DASTH9305-1210	7/8"-14	19.05	12.29	15.90	44.00	56.00	22.22	27.00	4601-1210
DASTH9305-1212	1-1/16"-12	19.05	15.47	15.90	49.20	52.40	28.58	31.75	4601-1212
DASTH9305-1216	1-5/16"-12	19.05	21.44	15.90	51.82	55.63	34.93	38.10	4601-1216
DASTH9305-1608	3/4"-16	25.39	9.93	21.44	40.64	52.07	28.58	22.22	4601-1608
DASTH9305-1612	1-1/16"-12	25.39	15.47	21.44	49.53	51.31	28.58	31.75	4601-1612
DASTH9305-1614	1-3/16"-12	25.39	18.26	21.44	50.80	53.59	31.75	34.93	4601-1614
DASTH9305-1616	1-5/16"-12	25.40	21.44	21.44	52.07	56.50	33.32	38.10	4601-1616
DASTH9305-1620	1-5/8"-12	25.39	27.38	21.44	57.15	59.44	44.45	47.63	4601-1620
DASTH9305-2012	1-1/16"-12	31.74	15.47	27.80	50.80	60.96	41.27	31.75	4601-2012
DASTH9305-2016	1-5/16"-12	31.75	21.44	27.80	51.80	58.90	34.93	38.10	4601-2016
DASTH9305-2020	1-5/8"-12	31.74	27.38	27.80	56.90	66.40	44.45	47.63	4601-2020
DASTH9305-2024	1-7/8"-12	31.74	33.32	27.80	60.96	63.50	50.80	53.98	4601-2024
DASTH9305-2416	1-5/16"-12	38.11	21.44	34.10	60.45	65.30	41.27	38.10	4601-2416
DASTH9305-2420	1-5/8"-12	38.11	27.38	34.10	60.00	66.50	44.45	47.63	4601-2420
DASTH9305-2424	1-7/8"-12	38.10	33.32	34.10	60.70	68.50	47.63	53.98	4601-2424
DASTH9305-3220	1-5/8"-12	50.80	27.38	46.80	73.40	77.70	63.50	47.63	4601-3220
DASTH9305-3224	2-1/2"-12	50.80	33.32	46.80	73.40	77.70	63.50	53.98	4601-3224
DASTH9305-3232	2-1/2"-12	50.80	45.24	46.80	73.40	77.70	63.50	69.85	4601-3232

Certificate:



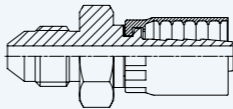
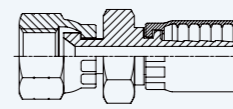
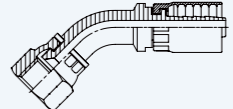
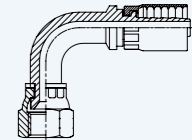
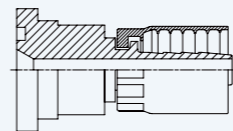
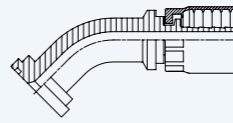
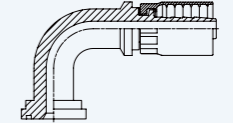
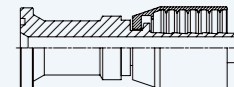
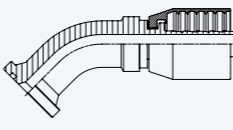
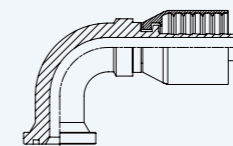
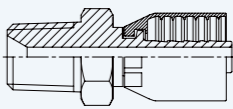
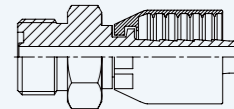
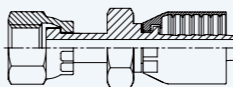
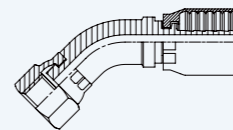
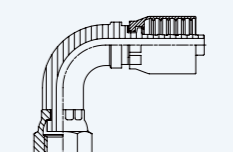




# Hose Fitting

# One Piece »



<p><b>DP1JCMF</b> P911</p>  <p>Straight Connector JIC Male 74° Cone - One Piece</p>	<p><b>DP1JCF</b> P912</p>  <p>Straight Connector JIC Female 74° Cone - One Piece</p>	<p><b>DP4JCFF</b> P913</p>  <p>45° Elbow JIC Female 74° - One Piece</p>	<p><b>DP9JCFF</b> P914</p>  <p>90° Elbow JIC Female 74° Cone - One Piece</p>
<p><b>DP1FLF</b> P915</p>  <p>Straight Connector SAE Flange Code 61 (3000 PSI) - One Piece</p>	<p><b>DP4FLF</b> P916</p>  <p>45° Elbow SAE Flange Code 61 (3000 PSI) - One Piece</p>	<p><b>DP9FLF</b> P917</p>  <p>90° Elbow SAE Flange Code 61 (3000 PSI) - One Piece</p>	<p><b>DP1FSF</b> P918</p>  <p>Straight Connector SAE Flange Code 62 (6000 PSI) - One Piece</p>
<p><b>DP4FSF</b> P919</p>  <p>45° Elbow SAE Flange Code 62 (6000 PSI) - One Piece</p>	<p><b>DP9FSF</b> P920</p>  <p>90° Elbow SAE Flange Code 62 (6000 PSI) - One Piece</p>	<p><b>DP1NPMF</b> P921</p>  <p>Straight Connector NPTF Male 60° Cone - One Piece</p>	<p><b>DP1ORMF</b> P922</p>  <p>Straight Connector ORFS Male Cone - One Piece</p>
<p><b>DP1ORFF</b> P923</p>  <p>Straight Connector ORFS Female Cone - One Piece</p>	<p><b>DP4ORFF</b> P924</p>  <p>45° Elbow ORFS Female Cone - One Piece</p>	<p><b>DP9ORFF</b> P925</p>  <p>90° Elbow ORFS Female Cone - One Piece</p>	



## DP1JCMF

Straight Connector JIC Male 74° Cone – One Piece

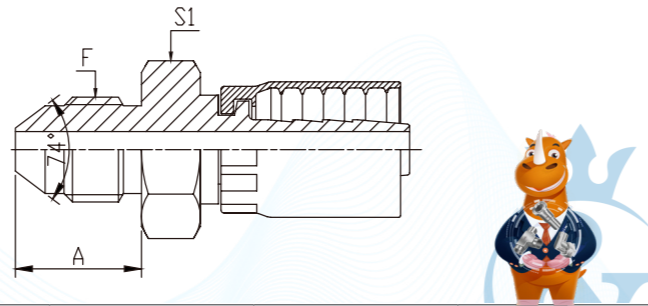
<b>D</b>	<b>P</b>	<b>1</b>	<b>JC</b>	<b>M</b>	<b>F</b>
Company	Product Range	Fitting Structure	Thread Types	Connection Type	Hose Fitting Type
<b>DME</b>	Hose Fitting	Straight	JIC UNF	Male	One Piece

German Technology Equipment

**EASY-FIT  
EASY-FLEX**

No-Skiving

- DME&JDE Code: **DP1JCMF**
- Product Type: **Hose Fitting**
- Hose Fitting Type: **One Piece**
- Thread Type: **UNF 74° Cone**
- Structure: **Straight**
- Connection Type: **Male**



PART NUMBER	F (Thread)	Ø	A	S1
#	UNF	Inch	mm	mm
DP1JCMF-0404	7/16"-20	6.00	51.00	14.28
DP1JCMF-0505	1/2"-20	8.00	57.00	15.00
DP1JCMF-0606	9/16"-18	10.00	60.00	17.00
DP1JCMF-0808	3/4"-16	12.00	68.00	22.00
DP1JCMF-1010	7/8"-14	16.00	77.00	24.00
DP1JCMF-1212	1-1/16"-12	20.00	81.00	30.00
DP1JCMF-1616	1-5/16"-12	25.00	92.00	36.00
DP1JCMF-2020	1-5/8"-12	32.00	101.00	46.00
DP1JCMF-2424	1-7/8"-12	40.00	119.00	50.00
DP1JCMF-3232	2-1/2"-12	50.00	127.00	60.00

## DP1JCFF

Straight Connector JIC Female 74° Cone – One Piece

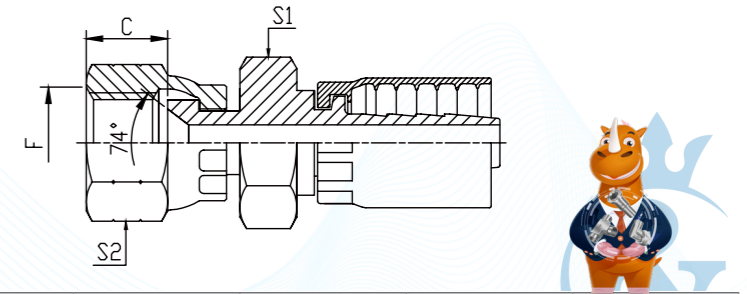
<b>D</b>	<b>P</b>	<b>1</b>	<b>JC</b>	<b>F</b>	<b>F</b>
Company	Product Range	Fitting Structure	Thread Types	Connection Type	Hose Fitting Type
<b>DME</b>	Hose Fitting	Straight	JIC UNF	Female	One Piece

German Technology Equipment

**EASY-FIT  
EASY-FLEX**

No-Skiving

- DME&JDE Code: **DP1JCFF**
- Product Type: **Hose Fitting**
- Hose Fitting Type: **One Piece**
- Thread Type: **UNF 74° Cone**
- Structure: **Straight**
- Connection Type: **Female**



PART NUMBER	F (Thread)	Ø	C	S1	S2
#	UNF	Inch	mm	mm	mm
DP1JCFF-0404	7/16"-20	6.00	9.00	14.00	15.00
DP1JCFF-0505	1/2"-20	8.00	9.50	15.00	17.00
DP1JCFF-0606	9/16"-18	10.00	10.50	17.00	19.00
DP1JCFF-0808	3/4"-16	12.00	11.00	22.00	24.00
DP1JCFF-1010	7/8"-14	16.00	13.00	24.00	27.00
DP1JCFF-1212	1-1/16"-12	20.00	15.00	30.00	32.00
DP1JCFF-1414	1-3/16"-12	22.00	15.00	32.00	36.00
DP1JCFF-1616	1-5/16"-12	25.00	16.00	36.00	41.00
DP1JCFF-2020	1-5/8"-12	32.00	17.00	46.00	50.00
DP1JCFF-2424	1-7/8"-12	40.00	20.00	50.00	55.00
DP1JCFF-3232	2-1/2"-12	50.00	23.50	65.00	75.00



## DP4JCFF

45° Elbow JIC Female 74° – One Piece

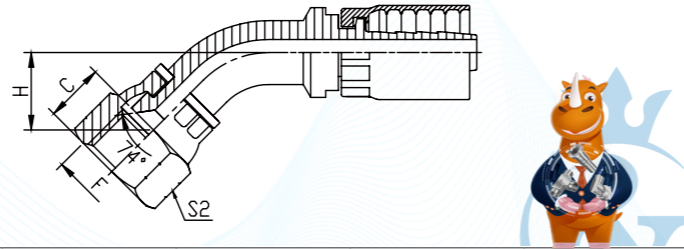
<b>D</b>	<b>P</b>	<b>4</b>	<b>JC</b>	<b>F</b>	<b>F</b>
Company	Product Range	Fitting Structure	Thread Types	Connection Type	Hose Fitting Type
<b>DME</b>	Hose Fitting	45° Elbow	JIC UNF	Female	One Piece

**German Technology Equipment**

**EASY-FIT EASY-FLEX**

No-Skiving

- DME&JDE Code: **DP4JCFF**
- Product Type: **Hose Fitting**
- Hose Fitting Type: **One Piece**
- Thread Type: **JIC UNF 74° Cone**
- Structure: **45° Elbow**
- Connection Type: **Female**



PART NUMBER	F (Thread)	Ø	C	H	S2
#	UNF	Inch	mm	mm	mm
DP4JCFF-0404	7/16"-20	6.00	9.00	18.10	15
DP4JCFF-0505	1/2"-20	8.00	9.50	19.30	17
DP4JCFF-0606	9/16"-18	10.00	10.50	20.00	19
DP4JCFF-0808	3/4"-16	12.00	11.00	23.50	24
DP4JCFF-1010	7/8"-14	16.00	13.00	25.30	27
DP4JCFF-1212	1-1/16"-12	20.00	15.00	30.00	32
DP4JCFF-1616	1-5/16"-12	25.00	16.00	31.50	41
DP4JCFF-2020	1-5/8"-12	32.00	17.00	36.60	50
DP4JCFF-2424	1-7/8"-12	40.00	20.00	41.60	55
DP4JCFF-3232	2-1/2"-12	50.00	23.50	49.50	75



## DP9JCFF

90° Elbow JIC Female 74° Cone – One Piece

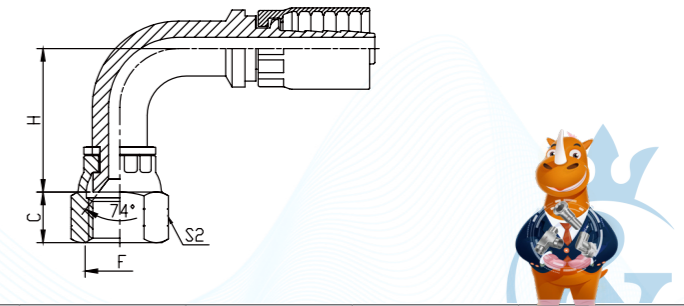
<b>D</b>	<b>P</b>	<b>9</b>	<b>JC</b>	<b>F</b>	<b>F</b>
Company	Product Range	Fitting Structure	Thread Types	Connection Type	Hose Fitting Type
<b>DME</b>	Hose Fitting	90° Elbow	JIC UNF	Female	One Piece

**German Technology Equipment**

**EASY-FIT EASY-FLEX**

No-Skiving

- DME&JDE Code: **DP9JCFF**
- Product Type: **Hose Fitting**
- Hose Fitting Type: **One Piece**
- Thread Type: **JIC UNF 74° Cone**
- Structure: **90° Elbow**
- Connection Type: **Female**



PART NUMBER	F (Thread)	Ø	C	H	S2
#	UNF	Inch	mm	mm	mm
DP9JCFF-0404	7/16"-20	6.00	9.00	33.50	15
DP9JCFF-0505	1/2"-20	8.00	9.50	37.00	17
DP9JCFF-0606	9/16"-18	10.00	10.50	39.30	19
DP9JCFF-0808	3/4"-16	12.00	11.00	47.00	24
DP9JCFF-1010	7/8"-14	16.00	13.00	52.50	27
DP9JCFF-1212	1-1/16"-12	20.00	15.00	63.50	32
DP9JCFF-1616	1-5/16"-12	25.00	16.00	70.00	41
DP9JCFF-2020	1-5/8"-12	32.00	17.00	82.50	50
DP9JCFF-2424	1-7/8"-12	40.00	20.00	97.50	55
DP9JCFF-3232	2-1/2"-12	50.00	23.50	118.80	75





## DP1FLF

Straight Connector SAE Flange Code 61 (3000 PSI) – One Piece

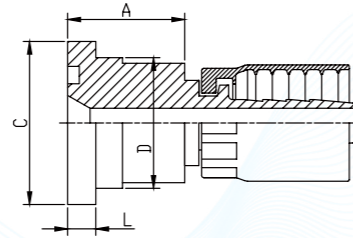
<b>D</b>	<b>P</b>	<b>1</b>	<b>FL</b>	<b>F</b>
Company	Product Range	Fitting Structure	Connection Type	Hose Fitting Type
<b>DME</b>	Hose Fitting	Straight	SAE Flange Code 61 (3000 PSI)	One Piece

German Technology Equipment



No-Skiving

- DME&JDE Code: **DP1FLF**
- Product Type: **Hose Fitting**
- Hose Fitting Type: **One Piece**
- Structure: **Straight**
- Connection Type: **Flange Code 61**



PART NUMBER	Flange	Ø	A	C	D	L
#	Size	Inch	mm	mm	mm	mm
DP1FLF-0808	1/2"	12.00	46.00	30.20	24.00	6.00
DP1FLF-1212	3/4"	20.00	48.00	38.10	32.00	6.00
DP1FLF-1616	1"	25.00	52.00	44.40	38.00	8.00
DP1FLF-2020	1-1/4"	32.00	58.00	50.80	43.00	8.00
DP1FLF-2424	1-1/2"	40.00	68.00	60.30	50.00	8.00
DP1FLF-3232	2"	50.00	70.00	71.40	62.00	9.53



## DP4FLF

45° Elbow SAE Flange Code 61 (3000 PSI) – One Piece

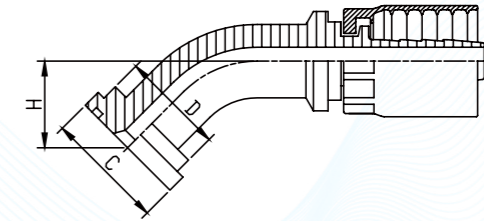
<b>D</b>	<b>P</b>	<b>4</b>	<b>FL</b>	<b>F</b>
Company	Product Range	Fitting Structure	Connection Type	Hose Fitting Type
<b>DME</b>	Hose Fitting	45° Elbow	SAE Flange Code 61 (3000 PSI)	One Piece

German Technology Equipment



No-Skiving

- DME&JDE Code: **DP4FLF**
- Product Type: **Hose Fitting**
- Hose Fitting Type: **One Piece**
- Structure: **Straight**
- Connection Type: **Flange Code 61**



PART NUMBER	Flange	Ø	C	D	H
#	Size	Inch	mm	mm	mm
DP4FLF-0808	1/2"	12.00	30.20	24.00	23.00
DP4FLF-1212	3/4"	20.00	38.10	32.00	28.00
DP4FLF-1616	1"	25.00	44.40	38.00	29.00
DP4FLF-2020	1-1/4"	32.00	50.80	43.00	33.00
DP4FLF-2424	1-1/2"	40.00	60.30	50.00	39.00
DP4FLF-3232	2"	50.00	71.40	62.00	46.00



## DP9FLF

90° Elbow SAE Flange Code 61 (3000PSI) – One Piece

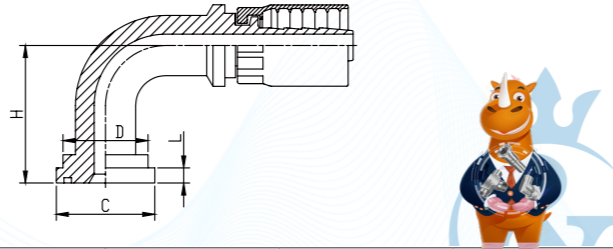
<b>D</b>	<b>P</b>	<b>9</b>	<b>FL</b>	<b>F</b>
Company	Product Range	Fitting Structure	Connection Type	Hose Fitting Type
<b>DME</b>	Hose Fitting	90° Elbow	SAE Flange Code 61 (3000 PSI)	One Piece

German Technology Equipment

**EASY-FIT EASY-FLEX**

No-Skiving

- DME&JDE Code: DP9FLF
- Product Type: Hose Fitting
- Hose Fitting Type: One Piece
- Structure: 90° Elbow
- Connection Type: Flange Code 61



PART NUMBER	Flange	Ø	C	D	H
#	Size	Inch	mm	mm	mm
DP9FLF-0808	1/2"	12.00	30.20	24.00	47.00
DP9FLF-1212	3/4"	20.00	38.10	32.00	62.00
DP9FLF-1616	1"	25.00	44.40	38.00	67.00
DP9FLF-2020	1-1/4"	32.00	50.80	43.00	78.00
DP9FLF-2424	1-1/2"	40.00	60.30	50.00	94.00
DP9FLF-3232	2"	50.00	71.40	60.00	114.00

## DP1FSF

Straight Connector SAE Flange Code 62 (6000 PSI) – One Piece

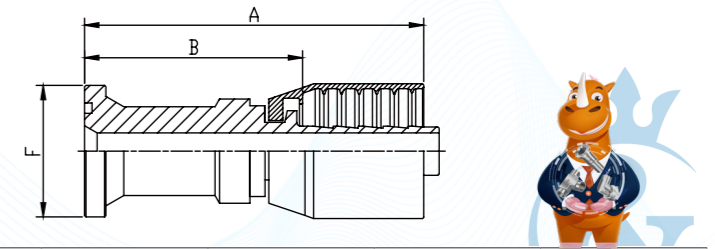
<b>D</b>	<b>P</b>	<b>1</b>	<b>FS</b>	<b>F</b>
Company	Product Range	Fitting Structure	Connection Type	Hose Fitting Type
<b>DME</b>	Hose Fitting	Straight	SAE Flange Code 62 (6000 PSI)	One Piece

German Technology Equipment

**EASY-FIT EASY-FLEX**

No-Skiving

- DME&JDE Code: DP1FSF
- Product Type: Hose Fitting
- Hose Fitting Type: One Piece
- Structure: Straight
- Connection Type: Flange Code 62



PART NUMBER	FLANGE	Ø	A	B	F
#	SIZE	Inch	mm	mm	mm
DP1FSF-1212	3/4"	20.00	104.60	68.00	1-5/8"
DP1FSF-1612	1"	25.00	78.70	42.20	1-7/8"
DP1FSF-1616	1"	25.00	122.20	81.00	1-7/8"
DP1FSF-2016	1-1/4"	32.00	91.70	50.50	2-1/8"
DP1FSF-2020	1-1/4"	32.00	127.30	84.30	2-1/8"



## DP4FSF

45° Elbow SAE Flange Code 62 (6000 PSI) – One Piece

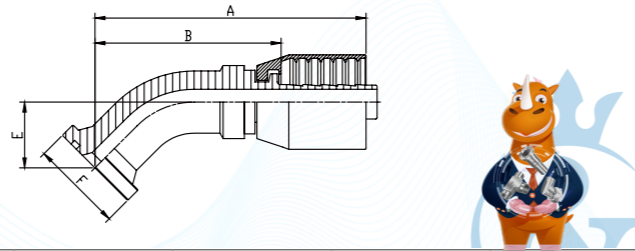
<b>D</b>	<b>P</b>	<b>4</b>	<b>FS</b>	<b>F</b>
Company	Product Range	Fitting Structure	Connection Type	Hose Fitting Type
<b>DME</b>	Hose Fitting	45° Elbow	SAE Flange Code 62 (6000 PSI)	One Piece

German Technology Equipment

**EASY-FIT EASY-FLEX**

No-Skiving

- DME&JDE Code: DP4FSF
- Product Type: Hose Fitting
- Hose Fitting Type: One Piece
- Structure: 45° Elbow
- Connection Type: Flange Code 62



PART NUMBER	FLANGE	Ø	A	B	E	F
#	SIZE	Inch	mm	mm	mm	mm
DP4FSF-1212	3/4"	3/4"	97.00	60.50	25.90	1-5/8"
DP4FSF-1616	1"	1"	118.40	77.20	32.00	1-7/8"
DP4FSF-2016	1 1/4"	1"	16.10	74.90	26.90	2-1/8"

## DP9FSF

90° Elbow SAE Flange Code 62 (6000 PSI) – One Piece

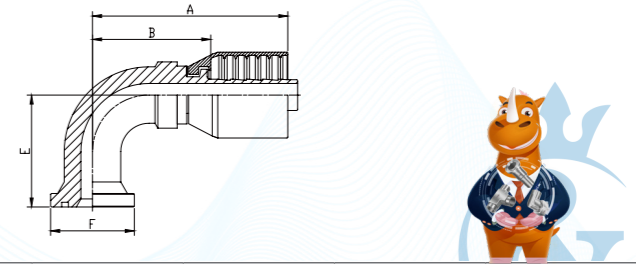
<b>D</b>	<b>P</b>	<b>9</b>	<b>FS</b>	<b>F</b>
Company	Product Range	Fitting Structure	Connection Type	Hose Fitting Type
<b>DME</b>	Hose Fitting	90° Elbow	SAE Flange Code 62 (6000 PSI)	One Piece

German Technology Equipment

**EASY-FIT EASY-FLEX**

No-Skiving

- DME&JDE Code: DP9FSF
- Product Type: Hose Fitting
- Hose Fitting Type: One Piece
- Structure: 90° Elbow
- Connection Type: Flange Code 62



PART NUMBER	FLANGE	Ø	A	B	E	F
#	SIZE	Inch	mm	mm	mm	mm
DP9FSF-1212	3/4"	3/4"	89.20	52.60	57.90	1-5/8"
DP9FSF-1612	1"	3/4"	88.60	52.10	57.90	1-7/8"
DP9FSF-1616	1"	1"	108.70	67.60	70.10	1-7/8"
DP9FSF-2016	1 1/4"	1"	108.70	67.60	70.10	2-1/8"
DP9FSF-2020	1 1/4"	1 1/4"	129.30	86.40	90.00	2-1/8"



## DP1NPMF

Straight Connector NPTF Male 60° Cone – One Piece

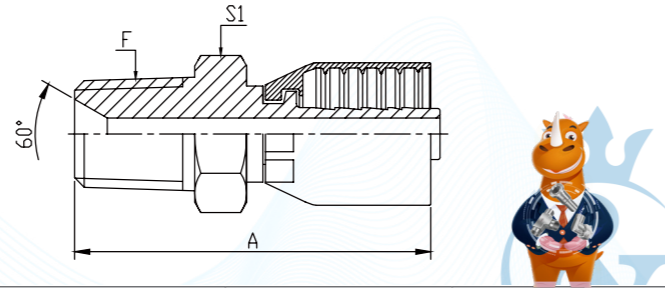
<b>D</b>	<b>P</b>	<b>1</b>	<b>NP</b>	<b>M</b>	<b>F</b>
Company	Product Range	Fitting Structure	Thread Types	Connection Type	Hose Fitting Type
<b>DME</b>	Hose Fitting	Straight	NPTF	Male	One Piece

**German Technology Equipment**

**EASY-FIT EASY-FLEX**

No-Skiving

- DME&JDE Code: **DP1NPMF**
- Product Type: **Hose Fitting**
- Hose Fitting Type: **One Piece**
- Thread Type: **NPTF 60° Cone**
- Structure: **Straight**
- Connection Type: **Male**



PART NUMBER	F (Thread)	Ø	A	S1
#	NPTF	Inch	mm	mm
DP1NPMF-0204	1/8"-27	6.00	46.00	9/16"
DP1NPMF-0404	1/4"-18	6.00	51.00	9/16"
DP1NPMF-0405	1/4"-18	8.00	49.00	11/16"
DP1NPMF-0406	1/4"-18	10.00	58.00	3/4"
DP1NPMF-0604	3/8"-18	6.00	47.00	11/16"
DP1NPMF-0605	3/8"-18	8.00	49.00	11/16"
DP1NPMF-0606	3/8"-18	10.00	60.00	3/4"
DP1NPMF-0608	3/8"-18	12.00	66.00	7/8"
DP1NPMF-0610	3/8"-18	16.00	66.00	15/16"
DP1NPMF-0804	1/2"-14	6.00	54.00	7/8"
DP1NPMF-0806	1/2"-14	10.00	61.00	7/8"
DP1NPMF-0808	1/2"-14	12.00	72.00	7/8"
DP1NPMF-0810	1/2"-14	16.00	77.00	15/16"
DP1NPMF-0812	1/2"-14	20.00	77.00	1-1/16"
DP1NPMF-1208	3/4"-14	12.00	68.00	1-1/16"
DP1NPMF-1210	3/4"-14	16.00	73.00	1-1/16"
DP1NPMF-1212	3/4"-14	20.00	78.00	1-1/16"
DP1NPMF-1216	3/4"-14	25.00	86.00	1-3/8"
DP1NPMF-1612	1"-11	20.00	78.00	1-3/8"
DP1NPMF-1616	1"-11	25.00	66.00	1-3/8"
DP1NPMF-2020	1-1/4"-11	32.00	104.00	1-3/4"
DP1NPMF-2424	1-1/2"-11	40.00	89.00	2"
DP1NPMF-3232	2"-11	50.00	103.00	2-1/2"

## DP10RMF

Straight Connector ORFS Male Cone – One Piece

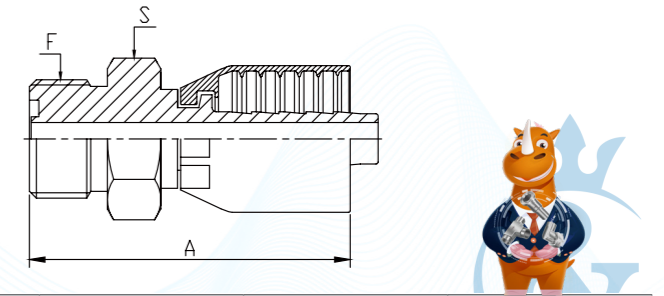
<b>D</b>	<b>P</b>	<b>1</b>	<b>OR</b>	<b>M</b>	<b>F</b>
Company	Product Range	Fitting Structure	Thread Types	Connection Type	Hose Fitting Type
<b>DME</b>	Hose Fitting	Straight	ORFS	Male	One Piece

**German Technology Equipment**

**EASY-FIT EASY-FLEX**

No-Skiving

- DME&JDE Code: **DP10RMF**
- Product Type: **Hose Fitting**
- Hose Fitting Type: **One Piece**
- Thread Type: **UNF**
- Structure: **Straight**
- Connection Type: **Male**



PART NUMBER	F (Thread)	Ø	A	S
#	UNF	Inch	mm	mm
DP10RMF-0404	9/16"-18	1/4"	44	5/8"
DP10RMF-0606	11/16"-16	3/8"	53	3/4"
DP10RMF-0806	13/16"-16	3/8"	56	7/8"
DP10RMF-0808	13/16"-16	1/2"	61	7/8"
DP10RMF-1008	1"-14	1/2"	66	1-1/16"
DP10RMF-1010	1"-14	5/8"	69	1-1/16"
DP10RMF-1210	1-3/16"-12	5/8"	73	1-1/4"
DP10RMF-1212	1-3/16"-12	3/4"	74	1-1/4"
DP10RMF-1612	1-7/16"-12	3/4"	74	1-1/2"
DP10RMF-1616	1-7/16"-12	1"	84	1-1/2"
DP10RMF-2020	1-11/16"-12	1-1/4"	84	1-3/4"



## DP1ORFF

Straight Connector ORFS Female Cone – One Piece

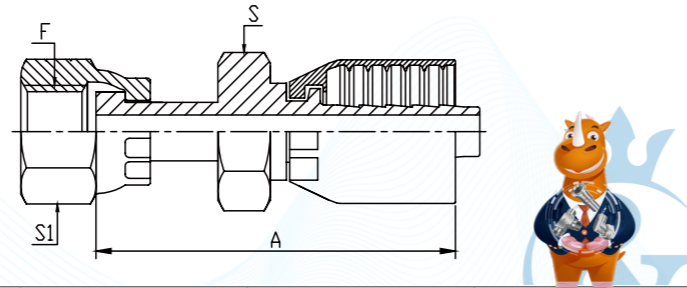
<b>D</b>	<b>P</b>	<b>1</b>	<b>OR</b>	<b>F</b>	<b>F</b>
Company	Product Range	Fitting Structure	Thread Types	Connection Type	Hose Fitting Type
<b>DME</b>	Hose Fitting	Straight	ORFS	Female	One Piece

**German Technology Equipment**

**EASY-FIT EASY-FLEX**

No-Skiving

- DME&JDE Code: **DP1ORFF**
- Product Type: **Hose Fitting**
- Hose Fitting Type: **One Piece**
- Thread Type: **UNF**
- Structure: **Straight**
- Connection Type: **Female**



PART NUMBER	F (Thread)	Ø	A	S
#	UNF	Inch	mm	mm
DP1ORFF-0404	9/16"-18	1/4"	53	11/16"
DP1ORFF-0406	9/16"-18	3/8"	56	11/16"
DP1ORFF-0604	11/16"-16	1/4"	54	13/16"
DP1ORFF-0606	11/16"-16	3/8"	58	13/16"
DP1ORFF-0608	11/16"-16	1/2"	64	13/16"
DP1ORFF-0806	13/16"-16	3/8"	64	15/16"
DP1ORFF-0808	13/16"-16	1/2"	67	15/16"
DP1ORFF-0810	13/16"-16	5/8"	72	15/16"
DP1ORFF-1008	1"-14	1/2"	73	1-1/8"
DP1ORFF-1010	1"-14	5/8"	78	1-1/8"
DP1ORFF-1012	1"-14	3/4"	78	1-1/8"
DP1ORFF-1210	1-3/16"-12	5/8"	81	1-3/8"
DP1ORFF-1212	1-3/16"-12	3/4"	84	1-3/8"
DP1ORFF-1612	1-7/16"-12	3/4"	86	1-5/8"
DP1ORFF-1616	1-7/16"-12	1"	92	1-5/8"
DP1ORFF-2016	1-11/16"-12	1"	92	1-7/8"
DP1ORFF-2020	1-11/16"-12	1 1/4"	96	1-7/8"
DP1ORFF-2424	2"-12	1 1/2"	99	2-1/4"

## DP4ORFF

45° Elbow ORFS Female Cone – One Piece

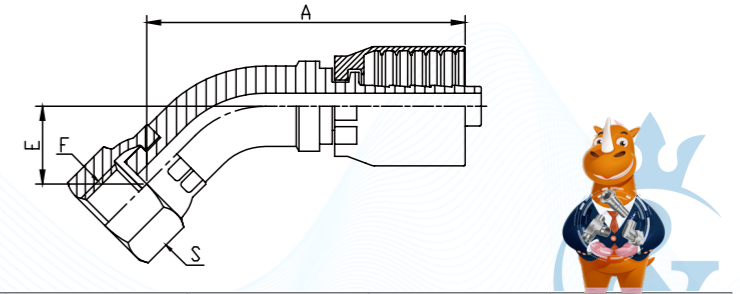
<b>D</b>	<b>P</b>	<b>4</b>	<b>OR</b>	<b>F</b>	<b>F</b>
Company	Product Range	Fitting Structure	Thread Types	Connection Type	Hose Fitting Type
<b>DME</b>	Hose Fitting	45° Elbow	ORFS	Female	One Piece

**German Technology Equipment**

**EASY-FIT EASY-FLEX**

No-Skiving

- DME&JDE Code: **DP4ORFF**
- Product Type: **Hose Fitting**
- Hose Fitting Type: **One Piece**
- Thread Type: **UNF**
- Structure: **45° Elbow**
- Connection Type: **Female**



PART NUMBER	F (Thread)	Ø	A	E	S
#	UNF	Inch	mm	mm	mm
DP4ORFF-0404	9/16"-18	1/4"	50	10	11/16"
DP4ORFF-0406	9/16"-18	3/8"	57	10	11/16"
DP4ORFF-0604	11/16"-16	1/4"	53	11	13/16"
DP4ORFF-0605	11/16"-16	5/16"	60	11	13/16"
DP4ORFF-0606	11/16"-16	3/8"	59	11	13/16"
DP4ORFF-0608	11/16"-16	1/2"	68	11	13/16"
DP4ORFF-0806	13/16"-16	3/8"	64	15	15/16"
DP4ORFF-0808	13/16"-16	1/2"	72	15	15/16"
DP4ORFF-0810	13/16"-16	5/8"	78	15	15/16"
DP4ORFF-1008	1"-14	1/2"	74	16	1-1/8"
DP4ORFF-1010	1"-14	5/8"	81	16	1-1/8"
DP4ORFF-1012	1"-14	3/4"	85	16	1-1/8"
DP4ORFF-1210	1-3/16"-12	5/8"	92	21	1-3/8"
DP4ORFF-1212	1-3/16"-12	3/4"	92	21	1-3/8"
DP4ORFF-1612	1-7/16"-12	3/4"	102	24	1-5/8"
DP4ORFF-1616	1-7/16"-12	1"	111	24	1-5/8"
DP4ORFF-2016	1-11/16"-12	1"	115	25	1-7/8"
DP4ORFF-2020	1-11/16"-12	1 1/4"	121	25	1-7/8"
DP4ORFF-2424	2"-12	1 1/2"	119	27	2-1/4"



## DP9ORFF

90° Elbow ORFS Female Cone – One Piece

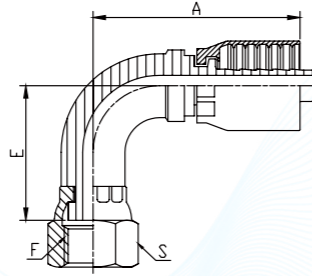
<b>D</b>	<b>P</b>	<b>9</b>	<b>OR</b>	<b>F</b>	<b>F</b>
Company	Product Range	Fitting Structure	Thread Types	Connection Type	Hose Fitting Type
<b>DME</b>	Hose Fitting	90° Elbow	ORFS	Female	One Piece

German Technology Equipment

**EASY-FIT  
EASY-FLEX**

No-Skiving

- DPME&JDE Code: **DP9ORFF**
- Product Type: **Hose Fitting**
- Hose Fitting Type: **One Piece**
- Thread Type: **UNF**
- Structure: **90° Elbow**
- Connection Type: **Female**



PART NUMBER	F (Thread)	Ø	A	E	S
#	UNF	Inch	mm	mm	mm
DP9ORFF-0404	9/16"-18	1/4"	45	21	11/16"
DP9ORFF-0406	9/16"-18	3/8"	52	21	11/16"
DP9ORFF-0604	11/16"-16	1/4"	49	23	13/16"
DP9ORFF-0605	11/16"-16	5/16"	57	23	13/16"
DP9ORFF-0606	11/16"-16	3/8"	56	23	13/16"
DP9ORFF-0608	11/16"-16	1/2"	64	23	13/16"
DP9ORFF-0806	13/16"-16	3/8"	58	29	15/16"
DP9ORFF-0808	13/16"-16	1/2"	66	29	15/16"
DP9ORFF-0810	13/16"-16	5/8"	71	29	15/16"
DP9ORFF-1008	1"-14	1/2"	70	32	1-1/8"
DP9ORFF-1010	1"-14	5/8"	75	32	1-1/8"
DP9ORFF-1012	1"-14	3/4"	78	32	1-1/8"
DP9ORFF-1210	1-3/16"-12	5/8"	89	48	1-3/8"
DP9ORFF-1212	1-3/16"-12	3/4"	78	48	1-3/8"
DP9ORFF-1612	1-7/16"-12	3/4"	103	56	1-5/8"
DP9ORFF-1616	1-7/16"-12	1"	109	56	1-5/8"
DP9ORFF-2016	1-11/16"-12	1"	118	65	1-7/8"
DP9ORFF-2020	1-11/16"-12	1-1/4"	124	64	1-7/8"
DP9ORFF-2424	2"-12	1-1/2"	140	68	2-1/4"

# Hose Fitting

## One Piece

«

**DME&JDE** GROUP  
YOUR CONNECTORS & HOSES OEM SOLUTIONS



Web: <https://www.dmejde.com>  
E-mail: [info@dmejde.com](mailto:info@dmejde.com)



Certificate:

Powered by DME&JDE Group



# IMAGE & VIDEO GALLERY

**Corporate & Workshop**

With years of experience, DME&JDE have developed and is continuously developing. Step into the Corporate and workshop, and know more about DME&JDE spirit, culture and strength.



**Production Line**

Advanced equipment, strict working principle guarantee the flexible hoses, fluid connector and hose assembly accurate dimensions and comply and even exceed international standard.



Inner Tube Production



Steel Wire Preparation



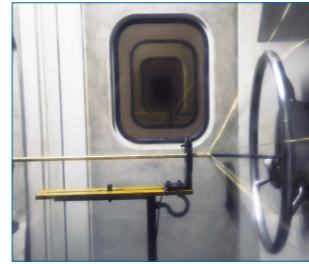
Office Building



Flexible Hoses Workshop



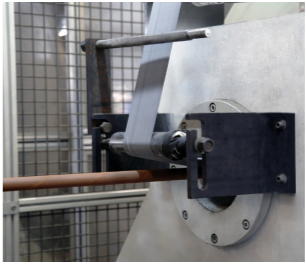
Fluid Connector Workshop



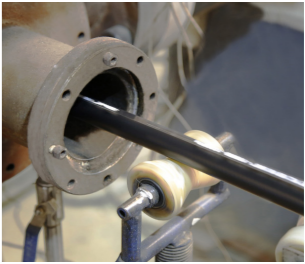
Reinforcement Layer Production



Outer Cover Production



Wrapping



Labeling



Raw Material Area



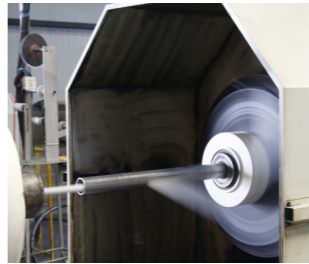
Waste Area



Working Principles



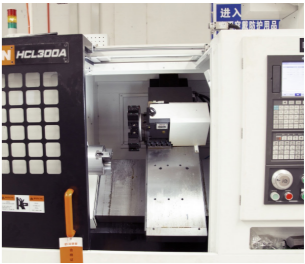
Packaging



Fiber Reinforcement Wrapping



CNC Workshop



CNC Machine



Quality Control Center



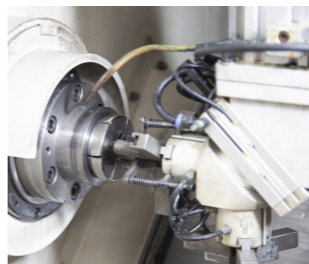
Ready-to-Package Area



Warehouse



Worker Operating



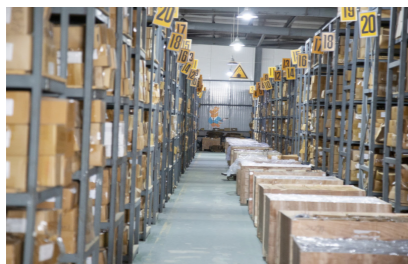
Fluid Connector Producing



Semi-Products



Laser Marking



Warehouse



Meeting



Team Discussing



O ring installation



Manual Assembling



Machine Assembling




Package



**Quality Control**

Strict quality control system guarantee our products are qualified and even exceed industrial standard to reduce defective rate, reduce downtime and enhance equipment performance.




**Package & Warehouse**

Perfect standard package guarantee the perfect condition of products. Flexible custom package make more possibilities to suit different distributors and customers requirements and eliminate worries.



Sulfuring Testing



Tensile Testing



Mooney Viscosity Testing



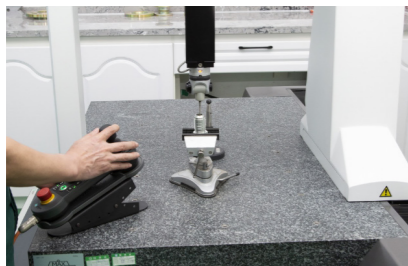
Impulse Testing



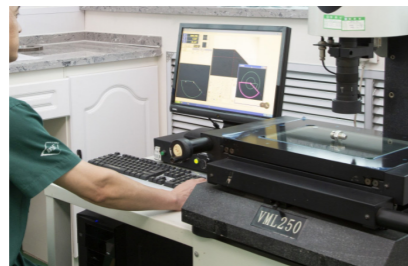
Ozone Resistance Testing



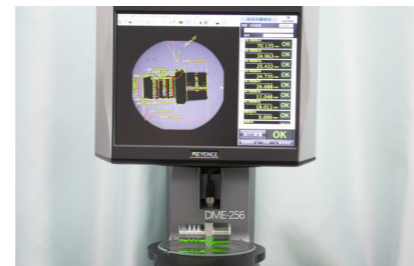
Salt Spray Testing



Trilinear Coordinates Test



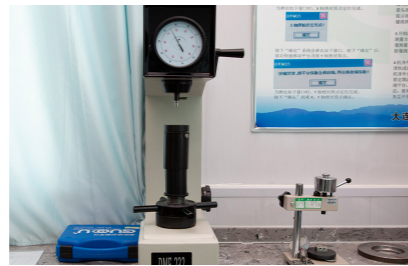
Coordinate Projection Test



Automatic Image Inspection



Roughness Test



Hardness Test



Spectrometer Material Testing



Roll Package



Carton Package



Pallet Package - Fluid Connector



Pallet Package - Flexible Hoses



Reel Package - Hydraulic Hose



Carton Package - Fluid Connector



# BECOME A DISTRIBUTOR

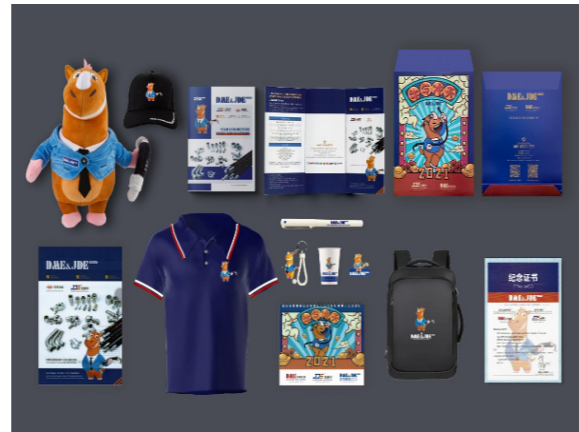
DME&JDE has the ability to develop a global footprint because we have extensive manufacturing capacities, large and smart stock warehouse and rich and enough technical support.

Browse what we can supply for our distributors...



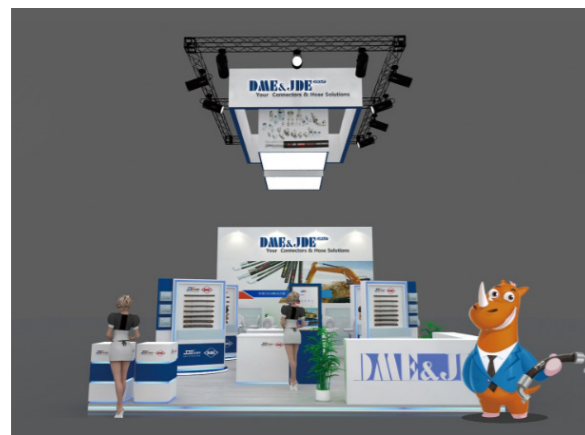
### National exclusive agency

Distributor owns the exclusive agency of our DME brand hose connectors, JDE brand flexible hoses and DME&JDE OEM solutions.



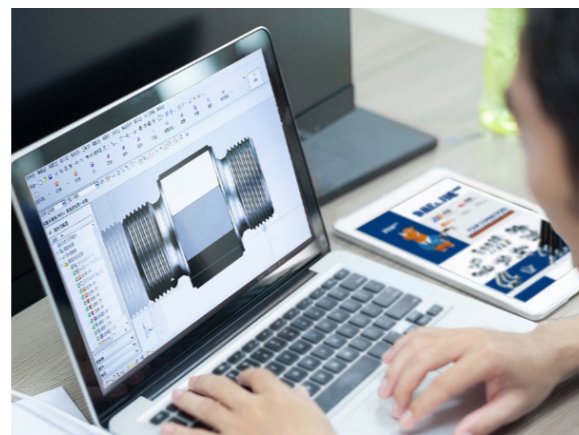
### Material Support

We will provide free materials, including brochure, manual, advertising specialty and clothing, demonstrating enterprise value and expanding market easily.



### Unified VI Support

DME&JDE has a complete set of distributor advertisement, new product posters and other unified VI designs to let your publicity more professional.



### Technical Support

DME&JDE will continuously develop new products according to your market demanding to help you catch your seize market opportunities and exploit potential market

DME&JDE not only supply supplies qualified products, but also provides marketing, customer care, total publicity planning, competitive price and professional technical support.



### Customer Support

DME&JDE adopts multiple promotion channel, including enterprise website promotion, Alibaba, Facebook, LinkedIn and Tik Tok, as well as exhibition. All customer resources will be allocated to the distributors of the corresponding region, helping distributors to expand the source



### Exhibition Support

DME&JDE will attend professional exhibitions including international, regional exhibitions, distributors can stand for enterprise to chat with exhibition customers. Several local exhibition, we can supply material supply for distributors.



### Price & Payment Support

Distributor price helps distributors make more profits and owns absolute advantage at local market



### Other Support

Distributors information including location, E-mail and phones will be displayed on our enterprise website, brochures and exhibitions.